

Agrokid 35

ACCESSORIES

GENERAL

| | |
|----------------------------------|-------------------|
| 4-WAY AUXILIARY DISTRIBUTOR..... | 0E.00.1 |
| 4-WAY AUXILIARY DISTRIBUTOR..... | 0E.00.2 |
| 4-WAY AUXILIARY DISTRIBUTOR..... | 0E.00.3 |
| HYDRAULIC DISTRIBUTOR-PARTS..... | 0E.00.4 |
| DISTRIBUTOR CONTROL..... | 0E.00.5 |
| 3 POINT HITCH..... | 0E.00.6 |
| TOWING BAR..... | 0E.00.7 |
| REAR TOWING HITCH..... | 0E.00.8 |
| FRONT TOWING HITCH..... | 0E.00.9 |
| FRONT TOWING HITCH..... | 0E.00.10 |
| REAR OSCILLATING HITCH..... | 0E.00.11 |
| BALLAST..... | 0E.00.12 |
| BALLAST..... | 0E.00.13 |
| TOOL POUCH..... | 0E.00.14 |
| ENGAGEMENT..... | 0.98308.50.3/10.A |

CLICK HERE TO **DOWNLOAD** THE COMPLETE MANUAL

- Thank you very much for reading the preview of the manual.
- You can download the complete manual from: www.heydownloads.com by clicking the link below

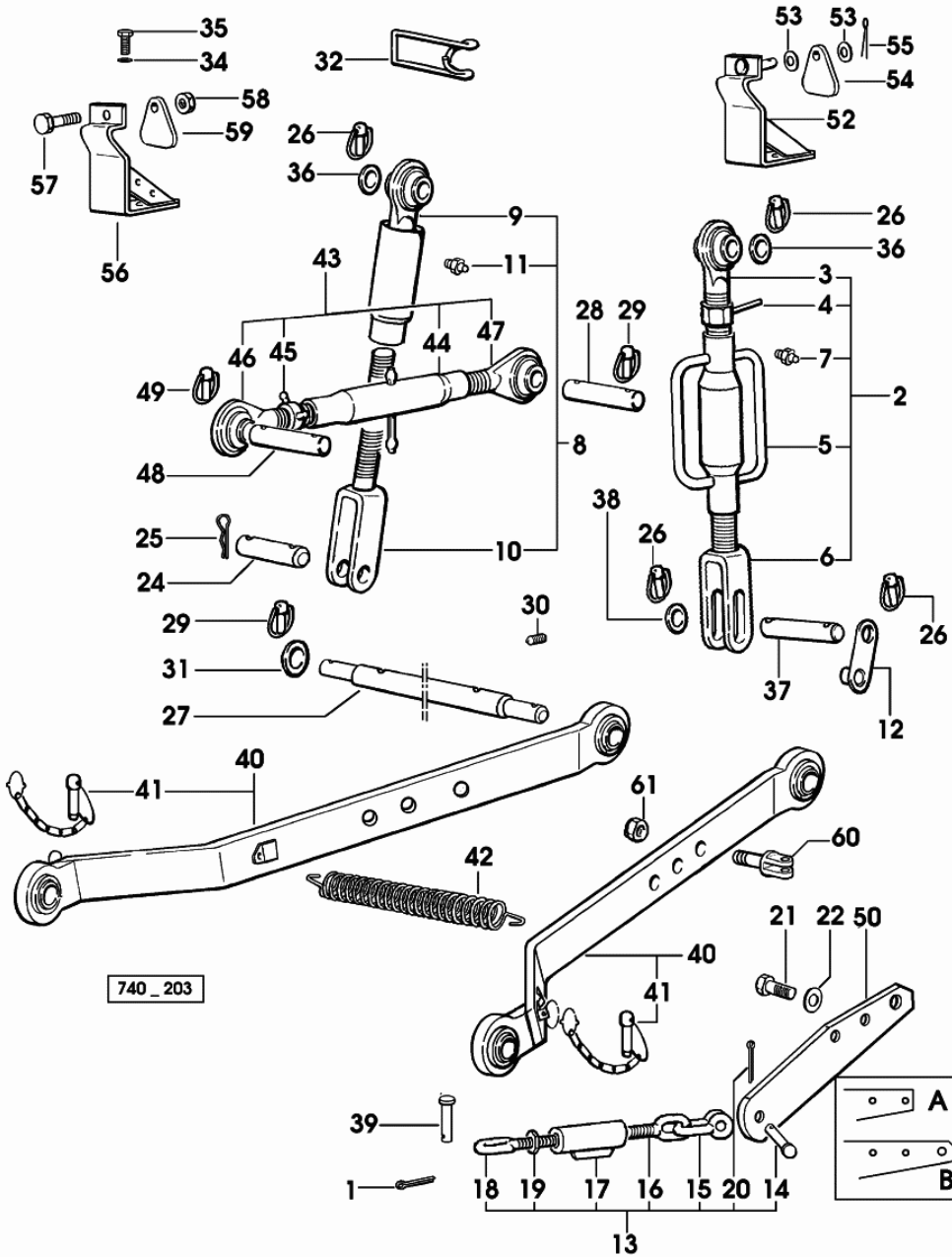


- Please note: If there is no response to CLICKING the link, please download this PDF first and then click on it.

CLICK HERE TO **DOWNLOAD** THE COMPLETE MANUAL

Section: ACCESSORIES

3 POINT HITCH



| Fig. | Code | QTY | Name |
|------|-----------------|-----|--|
| 56 | 0.010.4268.3/10 | 1 | bracket - X 25HP - 42HP -> 0114 X 35HP |
| 57 | 2.0112.207.2 | 1 | screw m 8 p 1.25 x 20 |
| 58 | 2.1120.005.2 | 1 | nut m 8 p.1.25 |
| 59 | 0.010.4609.0/10 | 1 | small plate - X 25HP - 42HP -> 0114 X 35HP |
| 60 | 0.008.7619.0 | 2 | pin |
| 61 | 2.1120.310.2 | 2 | selflock nut m 18 p.1.5 |

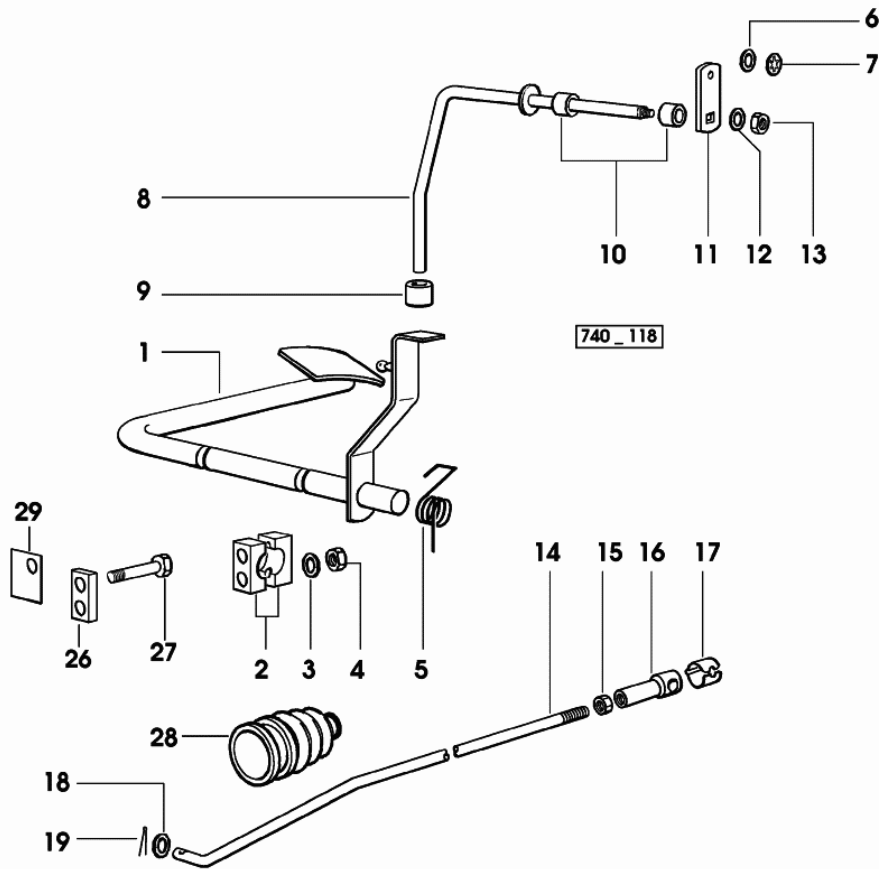
Agrokid 35

BODY WORK

GENERAL

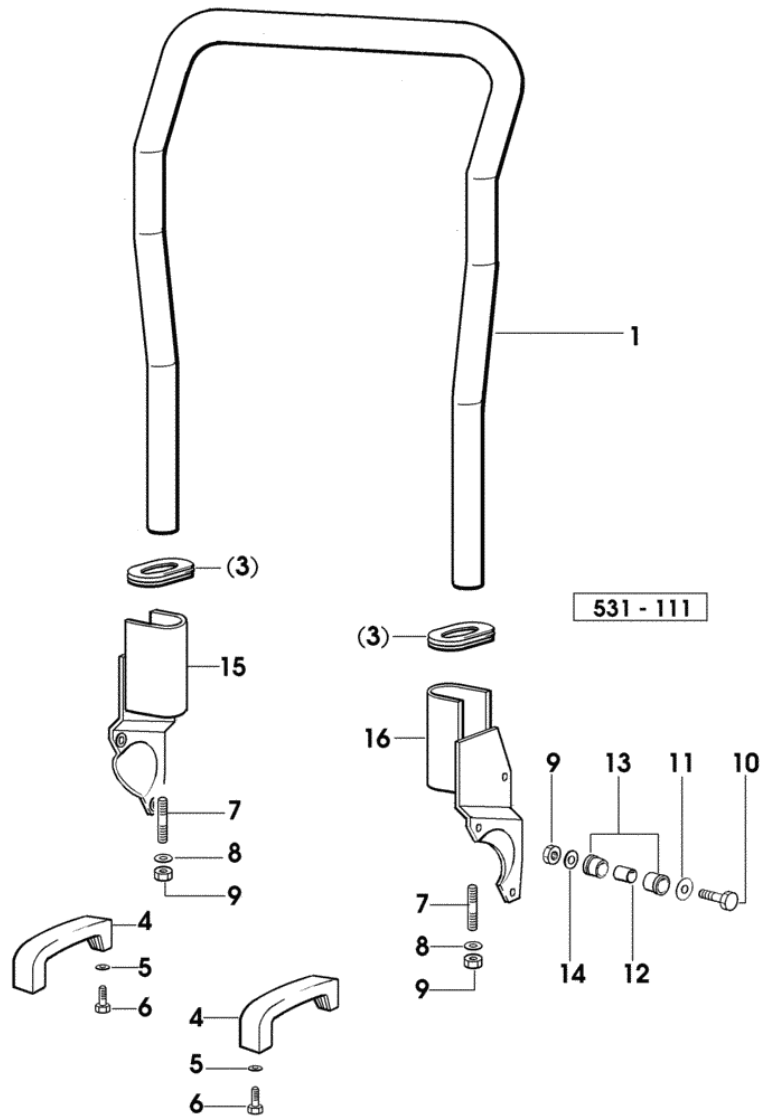
| | |
|---|----------|
| HOOD..... | 07.00.1 |
| HOOD..... | 07.00.3 |
| PEDAL SUPPORT..... | 07.00.5 |
| WATER COOLING..... | 07.00.6 |
| FAN BELT GUARD..... | 07.00.8 |
| PLATES..... | 07.00.9 |
| DASHBOARD - FOR MODELS WITH PLATFORM..... | 07.00.10 |
| DASHBOARD..... | 07.00.11 |
| THROTTLE..... | 07.00.13 |
| THROTTLE..... | 07.00.14 |
| FRONT MUDGUARDS..... | 07.00.15 |
| FOOT BOARD AND COVER..... | 07.00.16 |
| FOOT BOARD AND COVER..... | 07.00.19 |
| PLATFORM..... | 07.00.20 |
| LICENSE PLATE FRAME AND SUPPORT..... | 07.00.21 |
| MUDGUARDS EXTENSIONS..... | 07.00.23 |
| SAFETY ARCH..... | 07.00.25 |
| SAFETY ARCH..... | 07.00.26 |
| SUNROOF FRAME..... | 07.00.28 |
| SUNROOF..... | 07.00.29 |
| REARVIEW MIRROR..... | 07.00.30 |
| LICENSE PLATE FRAME AND SUPPORT..... | 07.00.31 |
| SPECIAL VERSION FOR EXPORT F..... | 07.00.32 |
| SPECIAL VERSION FOR EXPORT D..... | 07.00.33 |
| SPECIAL VERSION FOR EXPORT CH..... | 07.00.34 |
| WINDSCREEN..... | 07.00.35 |
| FRONT WINDSHIELD WIPER SYSTEM..... | 07.00.36 |
| FUEL SUPPLY SYSTEM..... | 07.00.37 |
| FUEL SUPPLY SYSTEM..... | 07.00.38 |
| AIR FILTER PARTS..... | 07.00.39 |
| SEAT..... | 07.00.40 |
| SEAT..... | 07.00.41 |
| SEAT SPRINGING..... | 07.00.42 |
| SEAT SPRINGING..... | 07.00.43 |
| SEAT SPRINGING..... | 07.00.44 |
| SEAT SPRINGING..... | 07.00.45 |

Section: BODY WORK
THROTTLE



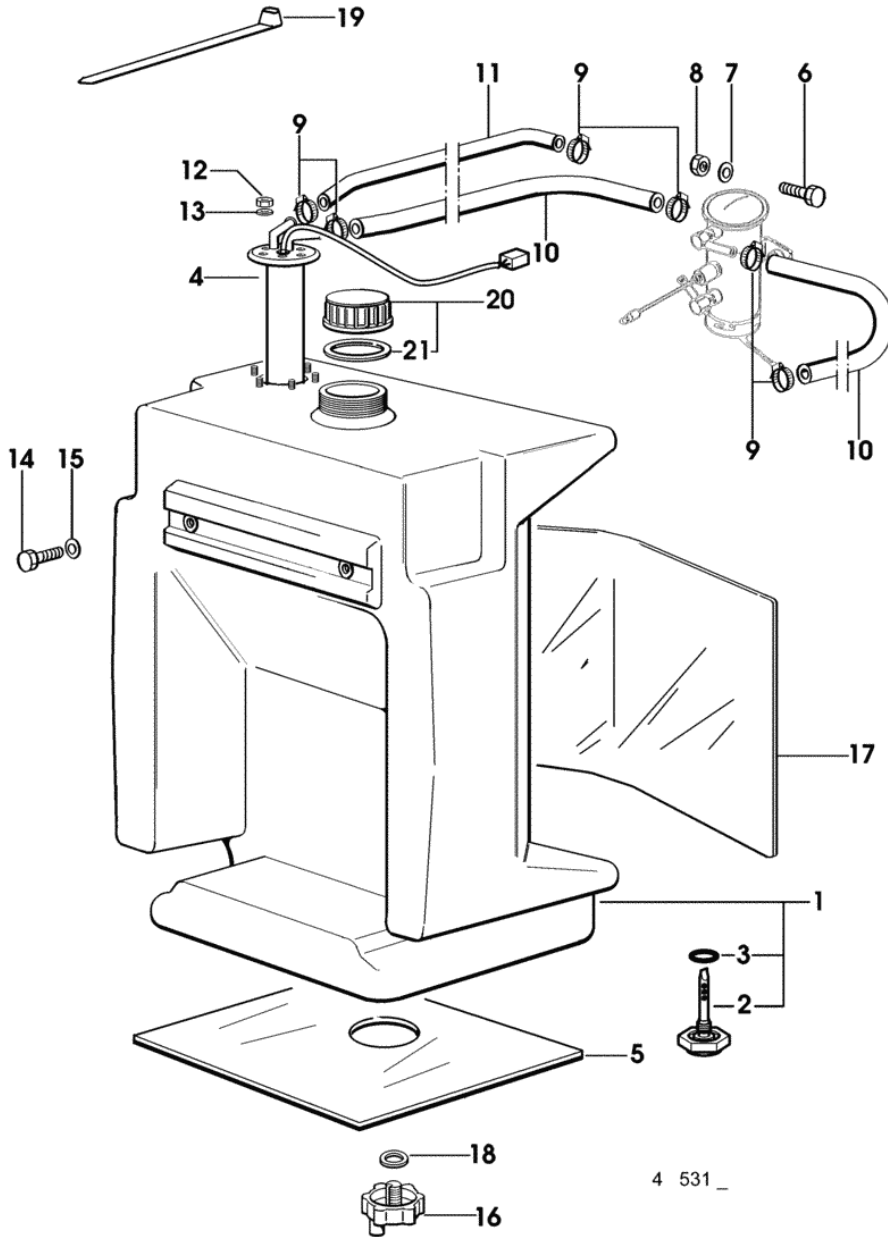
| Fig. | Code | QTY | Name |
|------|-----------------|-----|---|
| 1 | 0.008.7483.3/30 | 1 | accel. pedal |
| 2 | 0.008.7487.0 | 4 | small block |
| 3 | 2.1310.004.2 | 4 | flat washer 8.5 |
| 4 | 2.1120.005.2 | 4 | nut m 8 p.1.25 |
| 5 | 2.4099.079.2/10 | 1 | spring |
| 6 | 2.1312.003.2 | 1 | washer 6 |
| 7 | 0.008.7103.0 | 1 | circlip 5 x 14 |
| 8 | 0.008.7499.3 | 1 | lever |
| 9 | 0.008.6194.0 | 1 | rubber plug |
| 10 | 2.1559.181.0 | 2 | bushing 8x10x8 |
| 11 | 0.008.7540.0 | 1 | small plate |
| 12 | 2.1310.002.2 | 1 | washer 6.6, d125 |
| 13 | 2.1120.003.2 | 1 | nut m 6 |
| 14 | 0.008.7863.0 | 1 | rod - X 25HP |
| 14 | 0.008.7862.0 | 1 | rod - X 35HP - 42HP |
| 15 | 2.1011.103.2 | 1 | nut m 6 p.1 |
| 16 | 0.150.6759.0 | 1 | head |
| 17 | 0.257.6757.0 | 1 | spring |
| 18 | 2.1312.003.2 | 1 | washer 6 |
| 19 | 2.1690.206.2 | 1 | split pin 2x16 |
| 26 | 0.010.7661.0 | 2 | spacer - FOR MODELS WITH CAB BRIEDA "DE LUXE" |
| 27 | 2.0112.221.2 | 4 | screw m 8 p.1.25 x 60 |
| 28 | 0.011.2985.0/10 | 1 | boot - FOR MODELS WITH CAB BRIEDA "DE LUXE" |
| 29 | 0.010.7582.0 | 1 | bracket - FOR MODELS WITH CAB BRIEDA "DE LUXE" |

Section: BODY WORK
SAFETY ARCH



| Fig. | Code | QTY | Name |
|------|-----------------|-----|-----------------------------------|
| 1 | 0.008.7459.2 | 1 | guard |
| 3 | 0.008.7628.0 | 1 | plug dx/rh/re |
| | | | - X 25HP - 25 HYDRO - 35HP - 45HP |
| 3 | 0.008.7469.0 | 1 | plug sx/lh/li |
| | | | - X 25HP - 25 HYDRO - 35HP - 45HP |
| 5 | 2.1472.003.2 | 4 | washer 6, d128 |
| 9 | 2.1011.105.2 | 4 | nut m 8 p.1.25 |
| 11 | 2.1599.628.2 | 2 | washer 8.5x40x3 |
| 12 | 2.1549.077.2 | 2 | sleeve 8.5x14x36 |
| 13 | 2.1559.277.0 | 4 | bushing 14.1x20x10 |
| 14 | 2.1475.041.7 | 2 | washer 8.2x16.2 |
| 15 | 0.008.7458.3/20 | 1 | bracket dx/rh/re |
| | | | - X 25HP - X 35HP |
| 15 | 0.009.6350.3 | 1 | bracket dx/rh/re |
| | | | - X 42HP |
| 16 | 0.008.7457.3/20 | 1 | bracket sx/lh/li |
| | | | - X 25HP - X 35HP |
| 16 | 0.009.6351.3 | 1 | bracket sx/lh/li |
| | | | - X 42HP |

Section: BODY WORK
FUEL SUPPLY SYSTEM



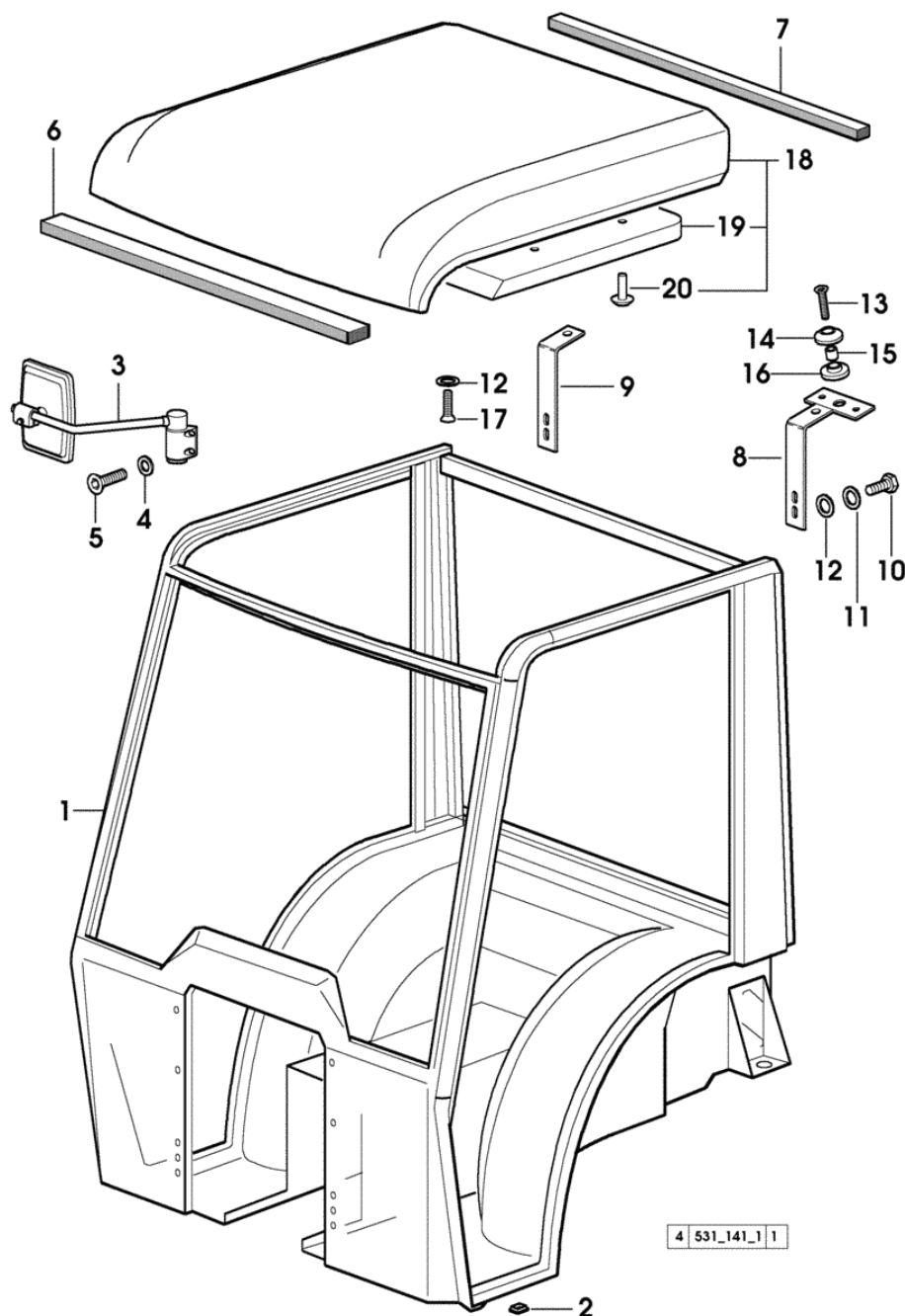
| Fig. | Code | QTY | Name |
|------|-----------------|-----|--|
| 1 | 0.008.7562.3/40 | 1 | tank |
| 2 | 0.011.5849.3 | 1 | tube -> 136 X 25HP -> 5051 X 25HP HYDRO -> 621 X 35HP -> 317 X 45HP |
| 3 | 2.1530.056.0 | 1 | 'o' ring 21.82 x 3.53 -> 136 X 25HP -> 5051 X 25HP HYDRO -> 621 X 35HP -> 317 X 45HP |
| 4 | 2.7059.750.0 | 1 | float level (...) <- |
| 4 | 2.7059.830.0 | 1 | float level -> (...) |
| 5 | 0.008.7563.0 | 1 | guard |
| 6 | 2.0112.009.2 | 2 | screw m 6 p.1 x 25 |
| 7 | 2.1472.003.2 | 2 | washer 6, d128 |
| 8 | 2.1011.103.2 | 2 | nut m 6 p.1 |
| 9 | 2.6850.002.0 | 6 | clamp 12-22 |
| 10 | 0.009.6262.0 | 2 | tube |
| 11 | 0.009.6261.0 | 1 | flexible hose |
| 12 | 2.1011.101.2 | 6 | nut m 4 p.0.7 |
| 13 | 2.1310.028.2 | 6 | flat washer 4 |
| 14 | 2.0112.205.2 | 2 | screw m 8 p.1.25 x 16 |
| 15 | 2.1470.004.2 | 2 | washer 8 |
| 16 | 0.255.8118.0 | 1 | plug |
| 17 | 0.008.7564.0/10 | 2 | guard |
| 18 | 2.1569.106.0 | 1 | gasket 12x25x3 |
| 19 | 0.98503.67.0 | 1 | clamp |
| 20 | 0.012.3914.3 | 1 | plug |
| 21 | 2.1569.157.0 | 1 | gasket 37.8x59.8x3 |

4 531_

Section: CAB

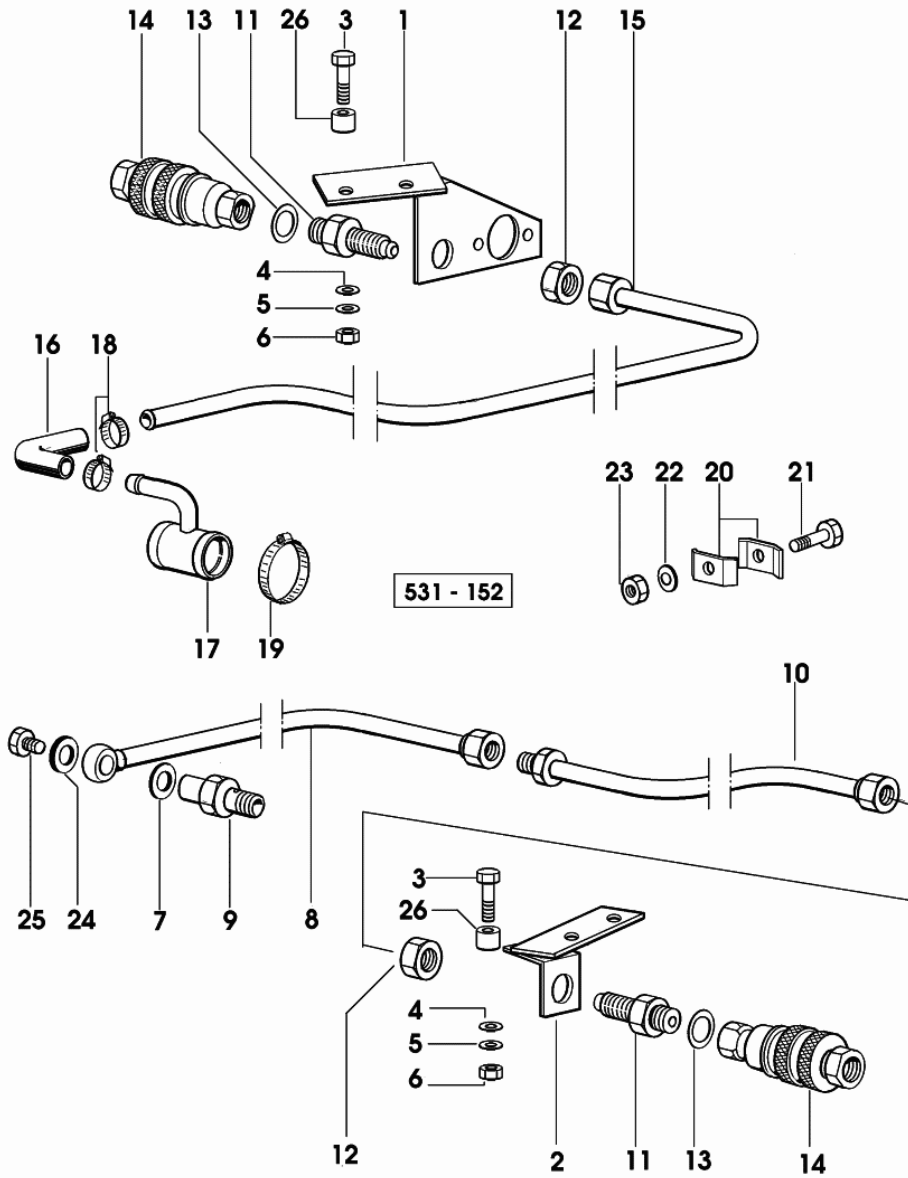
METALLIC STRUCTURES

| Fig. | Code | QTY | Name |
|------|-----------------|-----|---------------------------|
| 1 | 0.010.8322.4/40 | 1 | cab |
| 2 | 0.011.3207.0/10 | 2 | plug |
| 3 | 0.010.9559.4 | 1 | rear view mirror dx/rh/re |
| 3 | 0.011.5392.4 | 1 | rear view mirror sx/lh/li |
| 4 | 2.1470.002.2 | 4 | washer 6, d128 |
| 5 | 2.0332.407.2 | 4 | screw m 6 x 20 |
| 6 | 0.011.5426.0 | 1 | profile |
| 7 | 0.011.5427.0 | 1 | profile |
| 8 | 0.010.7581.3 | 1 | bracket sx/lh/li |
| 9 | 0.010.8320.3 | 1 | bracket dx/rh/re |
| 10 | 2.0112.005.2 | 4 | screw m 6 p.1 x 16 |
| 11 | 2.1310.002.2 | 4 | washer 6.6, d125 |
| 12 | 2.1470.002.2 | 6 | washer 6, d128 |
| 13 | 2.0342.309.6 | 2 | screw m 8 p.1.25 x 35 |
| 14 | 0.010.9080.0 | 2 | washer |
| 15 | 2.1549.454.2 | 2 | spacer |
| 16 | 0.010.9077.0 | 2 | rubber plug |
| 17 | 2.0332.407.2 | 2 | screw m 6 x 20 |
| 18 | 0.010.8655.4 | 1 | roof |
| 19 | 0.010.9123.0 | 1 | lining |
| 20 | 2.1899.085.0 | 4 | plug |

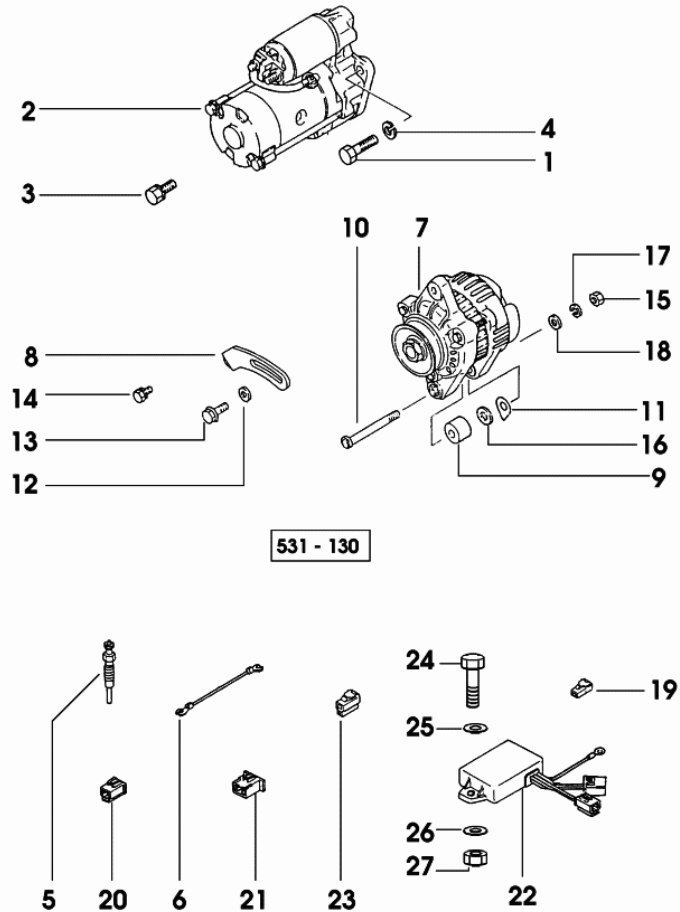


ARRANGEMENT FOR HEATING - FIXED CAB

| Fig. | Code | QTY | Name |
|------|-----------------|-----|----------------------------------|
| 1 | 0.009.6422.2/10 | 1 | support |
| 2 | 0.010.0131.2 | 1 | support |
| 3 | 2.0112.311.2 | 4 | screw m 10 p.1.5 x 30 |
| 4 | 2.1310.006.2 | 4 | flat washer 10.5 |
| 5 | 2.1470.006.2 | 4 | lock washer 10 |
| 6 | 2.1011.106.2 | 4 | nut m 10 p.1.5 |
| 7 | 2.1560.010.0 | 1 | gasket 14.2 x 20 x 1.5 |
| 8 | 0.010.0498.3 | 1 | tube |
| 9 | 2.3339.710.2 | 1 | pipe fitting 1/4 gas-m 10 p.1.25 |
| 10 | 0.009.6417.3/20 | 1 | tube |
| 11 | 2.3339.685.2 | 2 | pipe fitting |
| 12 | 2.1019.096.2 | 2 | nut 9/16" - 18 JIC |
| 13 | 2.1560.053.0 | 2 | gasket 17 x 21 |
| 14 | 0.009.8799.4 | 2 | connection |
| 15 | 0.010.0501.3 | 1 | tube |
| 16 | 0.009.7786.0 | 1 | tube |
| 17 | 0.009.6420.2 | 1 | tube |
| 18 | 2.6850.002.0 | 2 | clamp 12-22 |
| 19 | 2.6850.007.0 | 2 | clamp 25-40 |
| 20 | 0.200.8152.0 | 2 | small plate |
| 21 | 2.0112.009.2 | 1 | screw m 6 p.1 x 25 |
| 22 | 2.1470.002.2 | 1 | washer 6, d128 |
| 23 | 2.1011.103.2 | 1 | nut m 6 p.1 |
| 24 | 2.1569.171.0 | 1 | gasket 14.2 x 20 x 3 |
| 25 | 2.3119.036.2 | 1 | plug m 10 p.1.5 |
| 26 | 2.1579.072.0 | 1 | spacer |



Section: ELECTRIC AL SYSTEM
ELECTRIC STARTING SYSTEM



| Fig. | Code | QTY | Name |
|------|--------------|-----|----------------------------|
| 1 | 0.009.4644.1 | 1 | screw |
| 2 | 0.009.4644.4 | 1 | starter motor ☞ 08.00.7 |
| 3 | 0.009.4645.0 | 1 | screw |
| 4 | 0.009.4563.2 | 1 | washer |
| 5 | 0.009.4645.1 | 3 | glow plug - X 25HP |
| 5 | 0.009.4645.1 | 4 | glow plug - X 35HP |
| 6 | 0.009.4645.2 | 2 | cable - X 25HP |
| 6 | 0.009.4645.2 | 3 | cable - X 35HP |
| 7 | 0.009.4646.4 | 1 | alternator ☞ 08.00.8 |
| 8 | 0.009.4646.0 | 1 | brace |
| 9 | 0.009.4646.1 | 1 | spacer |
| 10 | 0.009.4647.0 | 1 | screw |
| 11 | 0.009.4647.1 | 1 | washer |
| 12 | 0.009.4647.2 | 1 | washer |
| 13 | 0.009.4648.0 | 1 | screw |
| 14 | 0.009.4567.1 | 1 | screw |
| 15 | 0.009.4539.0 | 1 | nut |
| 16 | 0.009.4539.1 | 1 | flat washer |
| 17 | 0.009.4539.2 | 1 | spring washer |
| 18 | 0.009.4648.1 | 1 | flat washer |
| 19 | 0.009.4648.2 | 1 | connection |
| 20 | 0.009.4649.0 | 1 | connection |
| 21 | 0.009.4649.1 | 1 | connection |
| 22 | 0.008.7630.4 | 1 | central device |
| 23 | 0.009.4649.2 | 1 | connection |
| 24 | 2.0112.005.2 | 1 | screw m 6 p.1 x 16 |
| 25 | 2.1310.002.2 | 1 | washer 6.6, d125 |
| 26 | 2.1472.003.2 | 1 | washer 6, d128 |
| 27 | 2.1011.103.2 | 1 | nut m 6 p.1 |

CLICK HERE TO **DOWNLOAD** THE COMPLETE MANUAL

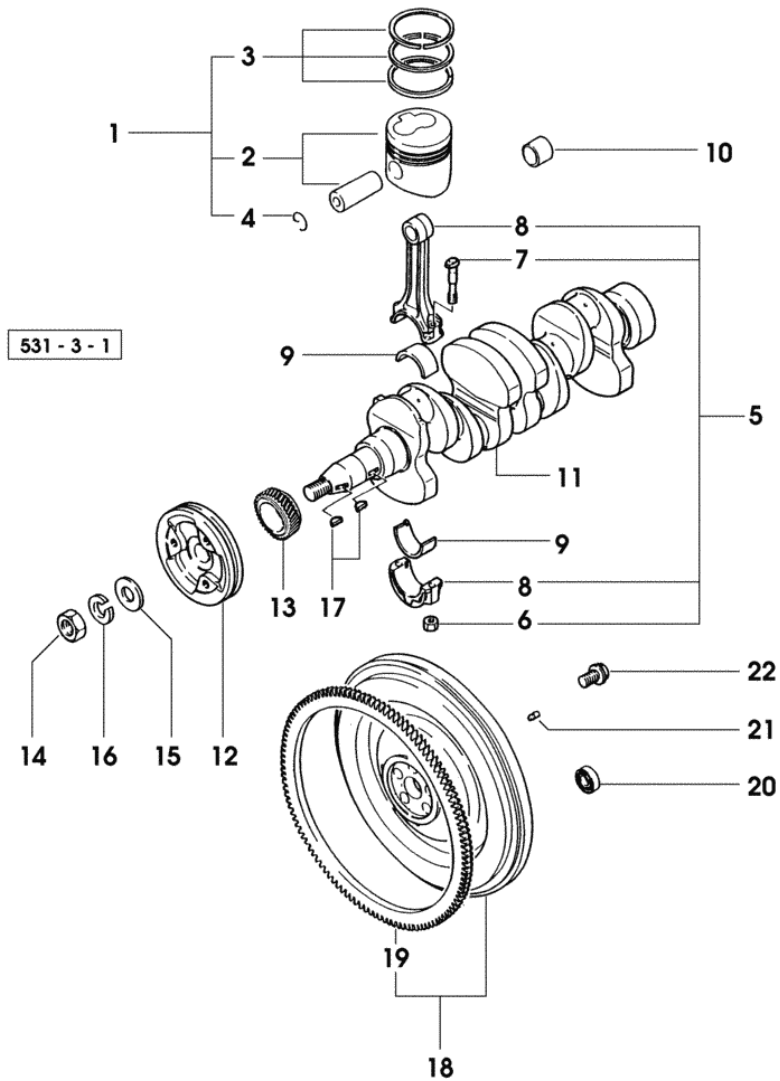
- Thank you very much for reading the preview of the manual.
- You can download the complete manual from: www.heydownloads.com by clicking the link below



- Please note: If there is no response to CLICKING the link, please download this PDF first and then click on it.

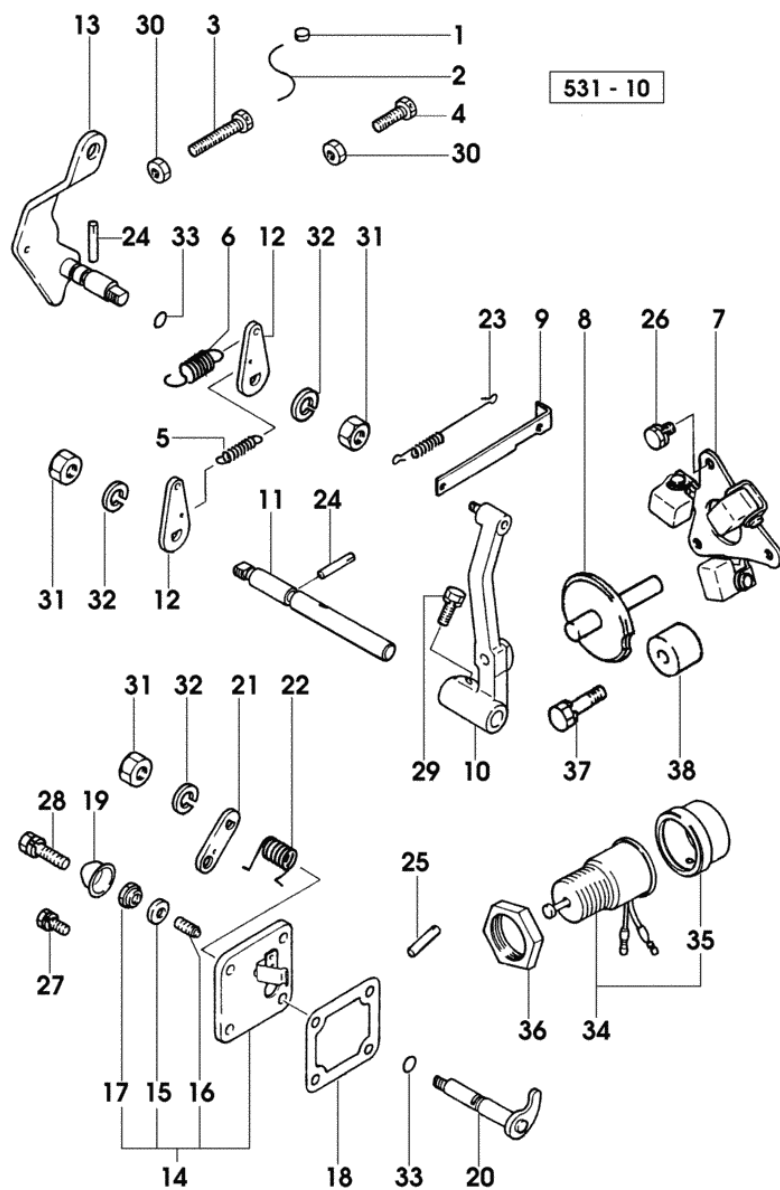
CLICK HERE TO **DOWNLOAD** THE COMPLETE MANUAL

Section: ENGINE
CRANKSHAFT



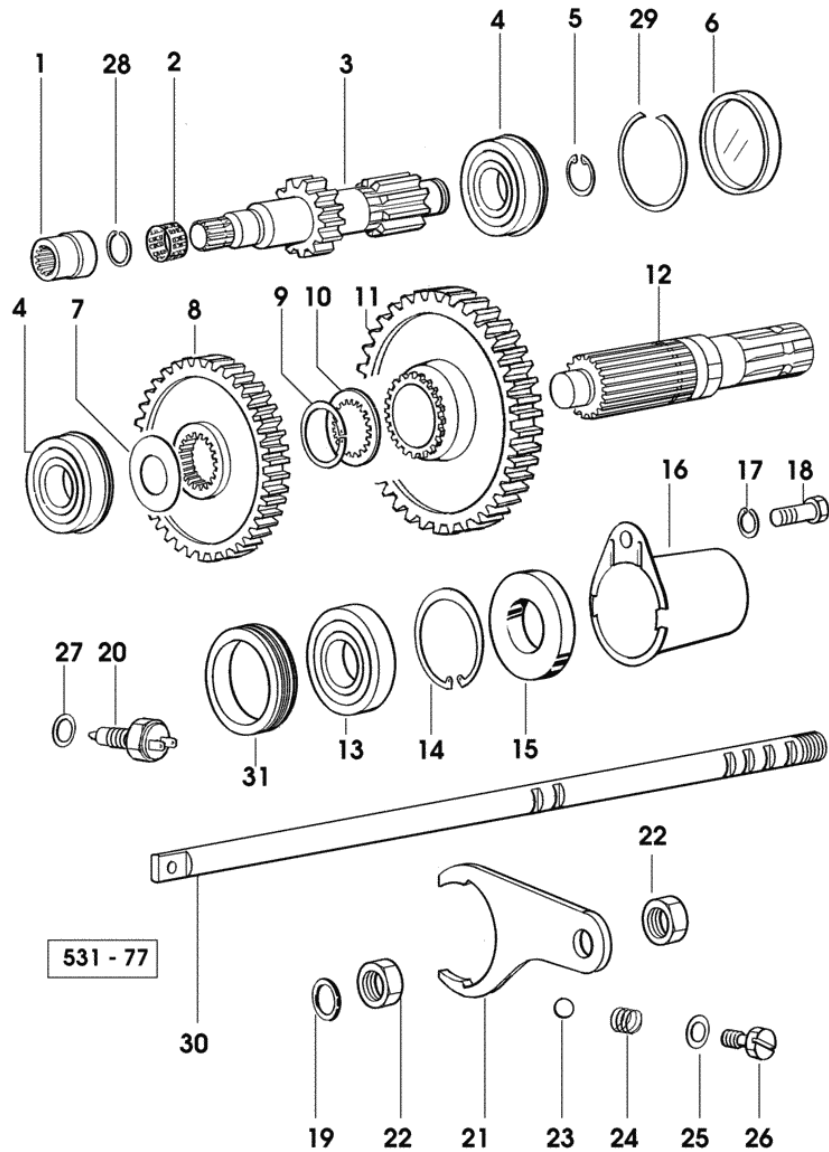
| Fig. | Code | QTY | Name |
|------|--------------|-----|--------------------------------|
| 1 | 0.361.0060.6 | 4 | complete piston STANDARD |
| 1 | 0.361.0061.6 | 4 | complete piston + mm 0.25 |
| 1 | 0.361.0062.6 | 4 | complete piston + mm 0.50 |
| 2 | 0.000.0000.1 | 0 | not serviceable |
| 3 | 0.361.0052.6 | 4 | piston ring set STANDARD |
| 3 | 0.361.0053.6 | 4 | piston ring set + mm 0.25 |
| 3 | 0.361.0054.6 | 4 | piston ring set + mm 0.50 |
| 4 | 0.009.4550.1 | 8 | circlip |
| 5 | 0.009.4550.4 | 4 | engine connect.rod |
| 6 | 0.009.4551.0 | 8 | nut |
| 7 | 0.009.4551.1 | 8 | screw |
| 8 | 0.000.0000.1 | 0 | not serviceable |
| 9 | 0.009.4551.2 | 4 | con.rod half bushing STANDARD |
| 9 | 0.009.4552.0 | 4 | con.rod half bushing - mm 0.25 |
| 9 | 0.009.4552.1 | 4 | con.rod half bushing - mm 0.50 |
| 9 | 0.009.4552.2 | 4 | con.rod half bushing - mm 0.75 |
| 10 | 0.009.4553.0 | 4 | bushing |
| 11 | 0.009.4553.1 | 1 | crank shaft |
| 12 | 0.009.4553.2 | 1 | pulley |
| 13 | 0.009.4554.0 | 1 | gear |
| 14 | 0.009.4554.1 | 1 | nut |
| 15 | 0.009.4554.2 | 1 | flat washer |
| 16 | 0.009.4555.0 | 1 | spring washer |
| 17 | 0.009.4555.1 | 2 | key |
| 18 | 0.009.4555.4 | 1 | flywheel |
| 19 | 0.009.4556.0 | 1 | crown wheel |
| 20 | 0.009.4556.1 | 1 | bearing |
| 21 | 0.009.4556.2 | 3 | pin |
| 22 | 0.009.4557.0 | 5 | screw |

Section: ENGINE
GOVERNOR PARTS



| Fig. | Code | QTY | Name |
|------|--------------|-----|--------------------|
| 33 | 0.009.4624.2 | 2 | ring |
| 34 | 0.009.4771.4 | 1 | electro valve |
| 35 | 0.009.4771.0 | 1 | plug |
| 36 | 0.009.4625.1 | 1 | nut |
| 37 | 0.009.4787.0 | 1 | screw |
| 38 | 0.009.4787.1 | 1 | spacer - X 42HP |

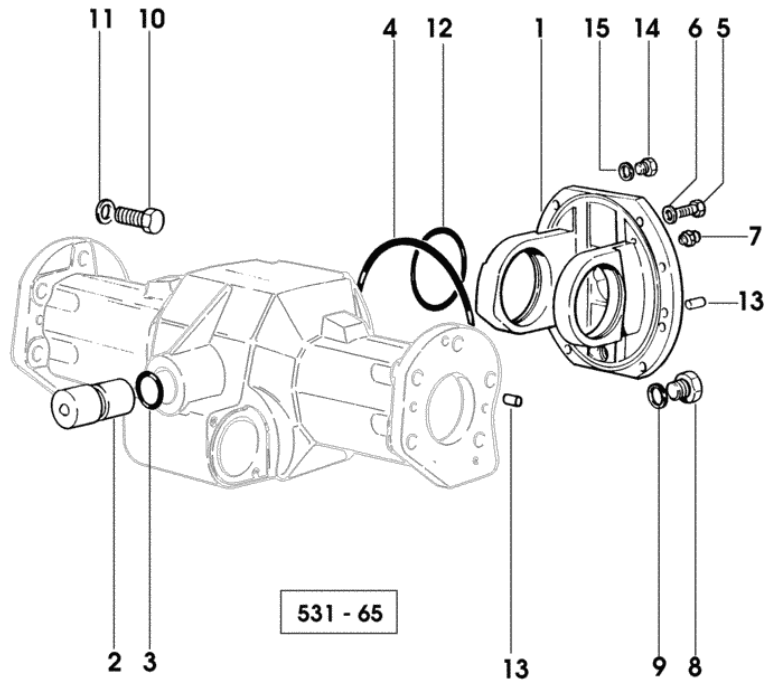
Section: FRONT AND REAR P.T.O.
P.T.O. - WITH N' 540 - 1000



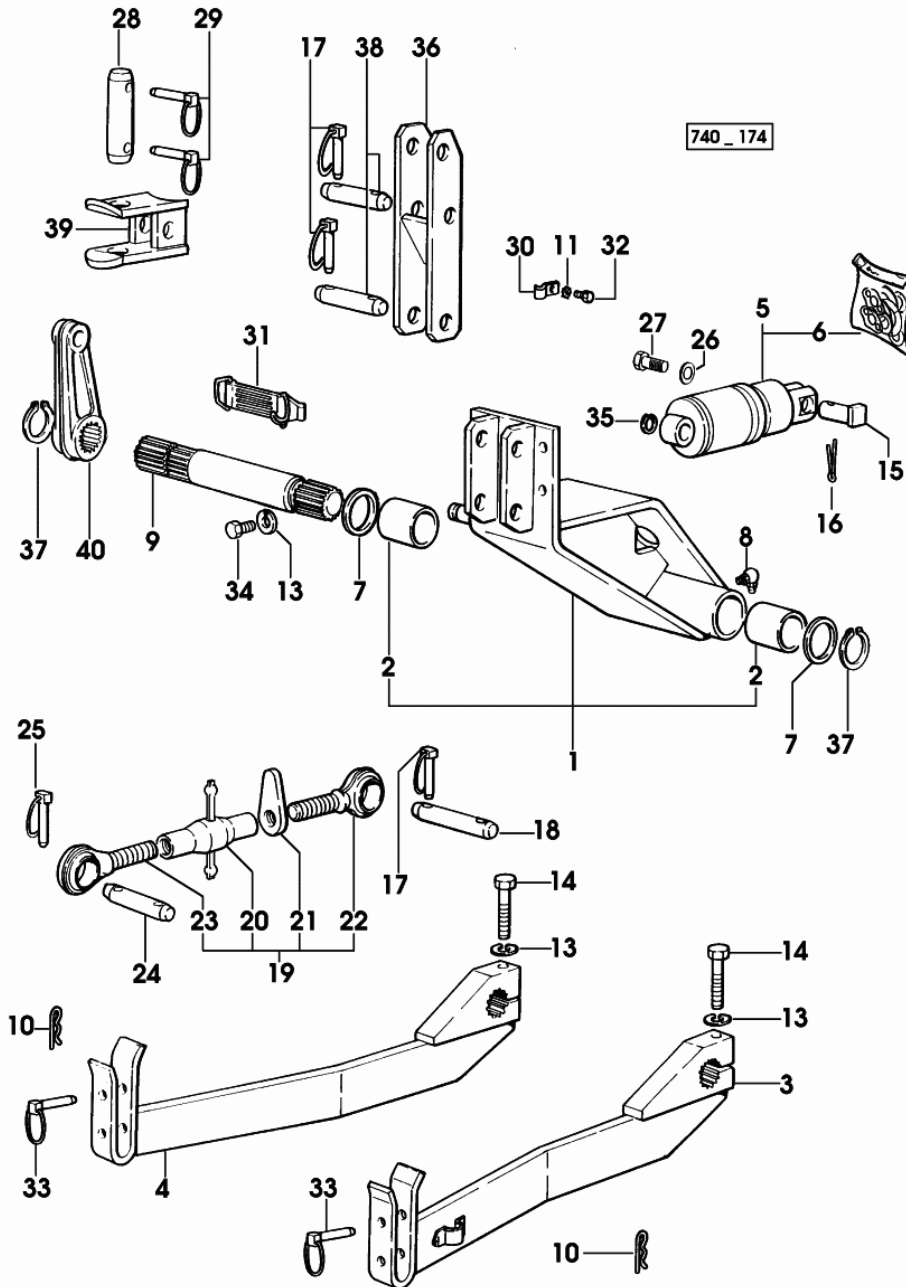
| Fig. | Code | QTY | Name |
|------|-----------------|-----|--------------------------------------|
| 1 | 0.008.7222.0/20 | 1 | sleeve |
| 2 | 2.2725.033.0 | 1 | roller cage 25x32x16 |
| 3 | 0.008.7236.0/20 | 1 | p.t.o.shaft Z = 10 / Z = 19 |
| 4 | 2.2062.007.0 | 2 | ball bearing 25 x 62 x 17 |
| 5 | 2.1410.010.1 | 1 | circlip 25 |
| 6 | 2.3199.153.0 | 1 | plug |
| 7 | 2.1589.206.0 | 2 | snoulder 25.5x51x0.15 |
| 7 | 2.1589.207.0 | 2 | snoulder 25.5x51x0.2 |
| 7 | 2.1589.208.0 | 2 | snoulder 25.5x51x0.5 |
| 8 | 0.008.7240.0/10 | 1 | gear z = 52 |
| 9 | 2.1499.034.1 | 1 | circlip 40 x 1.75 |
| 10 | 2.1599.582.0/10 | 1 | shoulder |
| 11 | 0.008.7239.0/20 | 1 | gear Z = 49 |
| 12 | 0.008.7238.0/20 | 1 | p.t.o.shaft |
| 13 | 2.2040.011.0 | 1 | ball bearing iso 35 bc 02 |
| 14 | 2.1411.029.1 | 1 | circlip 72 |
| 15 | 2.1520.317.0 | 1 | oil seal 35x72x12 |
| 15 | 2.1529.115.0 | 1 | 'o' ring 35x60x13 - X WATER PROOF |
| 16 | 0.002.7333.0 | 1 | guard |
| 17 | 2.1420.002.0 | 1 | circlip a 8 |
| 18 | 2.0219.001.1 | 1 | screw m 8 p.1.25x13 |
| 19 | 2.1519.078.0 | 1 | 'o' ring 16 x 24 x 6 |
| 20 | 2.7659.087.0 | 1 | switch |
| 21 | 0.008.7257.0 | 1 | fork P.T.O. |
| 22 | 2.1019.131.0 | 2 | nut |
| 23 | 2.2810.004.0 | 1 | ball 5/16" |
| 24 | 2.4019.478.0 | 1 | spring 6.7x7.9 |
| 25 | 2.1569.159.0 | 1 | gasket 10.2 |
| 26 | 2.0312.305.1 | 1 | screw m 10 p.1.5x18 |
| 27 | 2.1560.010.0 | 1 | gasket 14.2 x 20 x 1.5 |
| 28 | 2.1420.008.1 | 1 | circlip a 20 |
| 29 | 2.1423.048.7 | 1 | circlip 68x1.5 |
| 30 | 0.008.6822.0/20 | 1 | rod P.T.O. - X 25HP - 35HP |
| 30 | 0.008.7254.0/10 | 1 | rod P.T.O. - X 42HP |
| 31 | 2.1549.215.0/10 | 1 | spacer 60x72x14 - X WATER PROOF |

Section: FRONT AXEL
4WD - FRONT DRIVE AXLE

| Fig. | Code | QTY | Name |
|------|-----------------|-----|---|
| 1 | 0.008.7678.0/60 | 1 | flange |
| 2 | 0.008.7735.3 | 1 | pin |
| 3 | 2.1530.083.0 | 1 | 'o' ring 31.42x2.62 |
| 4 | 2.1539.125.0 | 1 | 'o' ring 171.12x2.62 |
| 5 | 2.0112.309.2 | 8 | screw m 10 p.1.5 x 25 |
| 6 | 2.1475.003.7 | 8 | washer 10.5 |
| 7 | 0.135.4363.3/10 | 1 | valve |
| 8 | 2.3110.405.1 | 2 | plug m 18 p.1.5 x 15 |
| 9 | 2.1560.014.0 | 2 | gasket 18.2 x 24 x 1.5 |
| 10 | 2.0122.517.7 | 10 | screw m 14 p.1.5x45 |
| 11 | 2.1475.005.7 | 10 | washer 14 |
| 12 | 2.1532.503.0 | 2 | 'o' ring 82.14x2.62 |
| 13 | 2.1652.809.0 | 6 | cylindrical plug 10x20 |
| 14 | 2.3110.402.1 | 1 | plug m 12 p.1.5x10 - WITHOUT DIFFERENTIAL LOCK |
| 15 | 2.1560.008.0 | 1 | gasket 12.2 x 18 |



Section: FRONT HYDRAULIC POWER-LIFT
FRONT HYDRAULIC POWER-LIFT



| Fig. | Code | QTY | Name |
|------|-----------------|-----|----------------------------|
| 1 | 0.008.7738.3 | 1 | support |
| 2 | 2.1559.077.0 | 2 | bushing 40 x 46 x 60 |
| 3 | 0.008.7746.3/20 | 1 | right hand arm sx/lh/li |
| 4 | 0.008.7745.3/20 | 1 | right hand arm dx/rh/re |
| 5 | 0.008.7741.4 | 1 | cylinder ☞ 0.008.7741.4 |
| 6 | 0.009.4874.0 | 1 | seal ring kit |
| 7 | 2.1599.209.0 | 2 | snoulder 40x56x3 |
| 8 | 2.3821.303.2 | 1 | lubricator m 10 p.1 |
| 9 | 0.008.7744.0/20 | 1 | shaft |
| 10 | 2.1699.180.2 | 2 | pin |
| 11 | 2.1470.002.2 | 1 | washer 6, d128 |
| 13 | 2.1475.204.7 | 8 | washer 12x3.2 |
| 14 | 2.0112.422.2 | 2 | screw m 12 p.1.75 x 65 |
| 15 | 0.9012.351.0/10 | 1 | pin 22x58 |
| 16 | 2.1690.516.2 | 1 | split pin 5x50 |
| 17 | 0.010.9322.4 | 6 | pin Ø 11 |
| 18 | 2.1669.025.2 | 1 | pin 19x115.5 |
| 19 | 0.008.7756.4/10 | 1 | 3 point hitch |
| 20 | 0.008.7757.3 | 1 | sleeve |
| 21 | 0.008.7597.0 | 1 | stop |
| 22 | 0.008.7758.3 | 1 | rod dx/rh/re |
| 23 | 0.008.7759.3 | 1 | rod sx/lh/li |
| 24 | 2.1669.025.2 | 1 | pin 19x115.5 |
| 25 | 0.010.9322.4 | 2 | pin Ø 11 |
| 26 | 2.1560.010.0 | 2 | gasket 14.2 x 20 x 1.5 |
| 27 | 2.3335.006.2 | 1 | pipe union m 14 p.1.5x24 |
| 28 | 2.1669.027.2 | 1 | pin 28x115 |
| 29 | 0.010.9322.4 | 2 | pin Ø 11 |
| 30 | 0.008.7911.0 | 1 | bracket |
| 31 | 0.008.8133.2 | 1 | rod |
| 32 | 2.0112.005.2 | 1 | screw m 6 p.1 x 16 |
| 33 | 0.008.7780.3/10 | 2 | pin |
| 34 | 2.0112.411.2 | 6 | screw m 12 p.1.75 x 30 |
| 35 | 2.1419.043.1 | 1 | circlip 16.5x1.2 |
| 36 | 0.010.6777.2 | 1 | bracket |
| 37 | 2.1419.070.0 | 2 | circlip |
| 38 | 2.1669.052.2 | 2 | pin |
| 39 | 0.008.7755.2 | 1 | clevis |
| 40 | 0.008.7743.0/20 | 1 | lever |

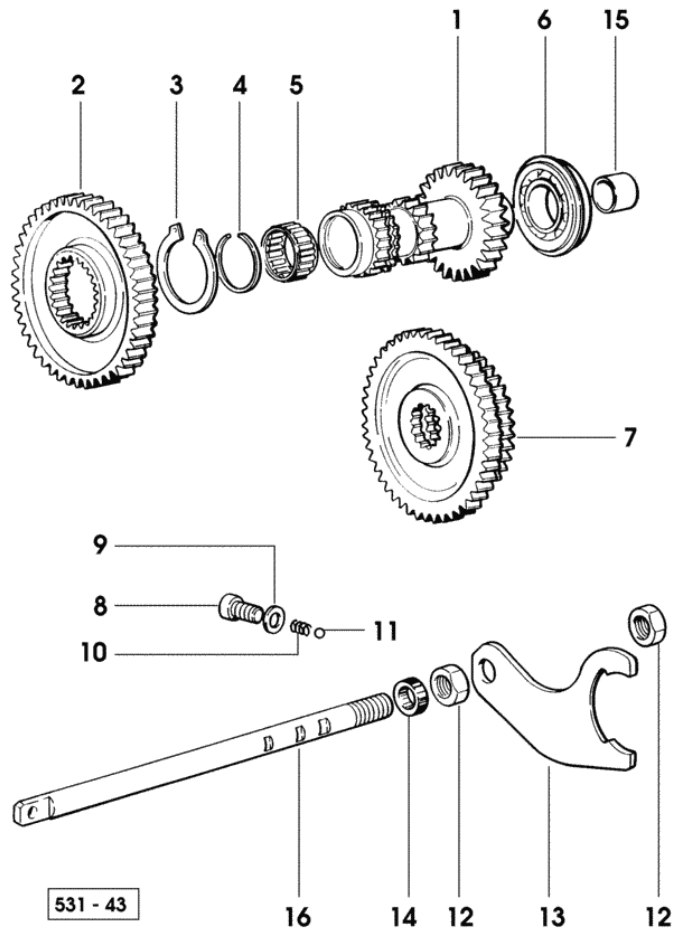
Agrokid 35

GEAR

GENERAL

| | |
|---|----------|
| CLUTCH..... | 02.00.2 |
| CLUTCH CONTROL..... | 02.00.4 |
| CLUTCH CONTROL..... | 02.00.5 |
| INDEPENDENT CLUTCH CONTROL FOR P.T.O..... | 02.00.6 |
| INDEPENDENT CLUTCH CONTROL FOR P.T.O..... | 02.00.7 |
| GEARBOX..... | 02.00.9 |
| REAR GEARBOX BRACKETS..... | 02.00.10 |
| MAIN GEARBOX AND REVERSE SHUTTLE GEARS..... | 02.00.14 |
| MAIN GEARBOX..... | 02.00.16 |
| REDUCTION GEAR UNIT..... | 02.00.19 |
| GEARSHIFT LEVER..... | 02.00.20 |
| REVERSING GEAR UNIT CONTROLS..... | 02.00.21 |
| REDUCTION GEAR CONTROL..... | 02.00.23 |
| DIFFERENTIAL..... | 02.00.28 |
| DIFFERENTIAL LOCK CONTROL..... | 02.00.29 |

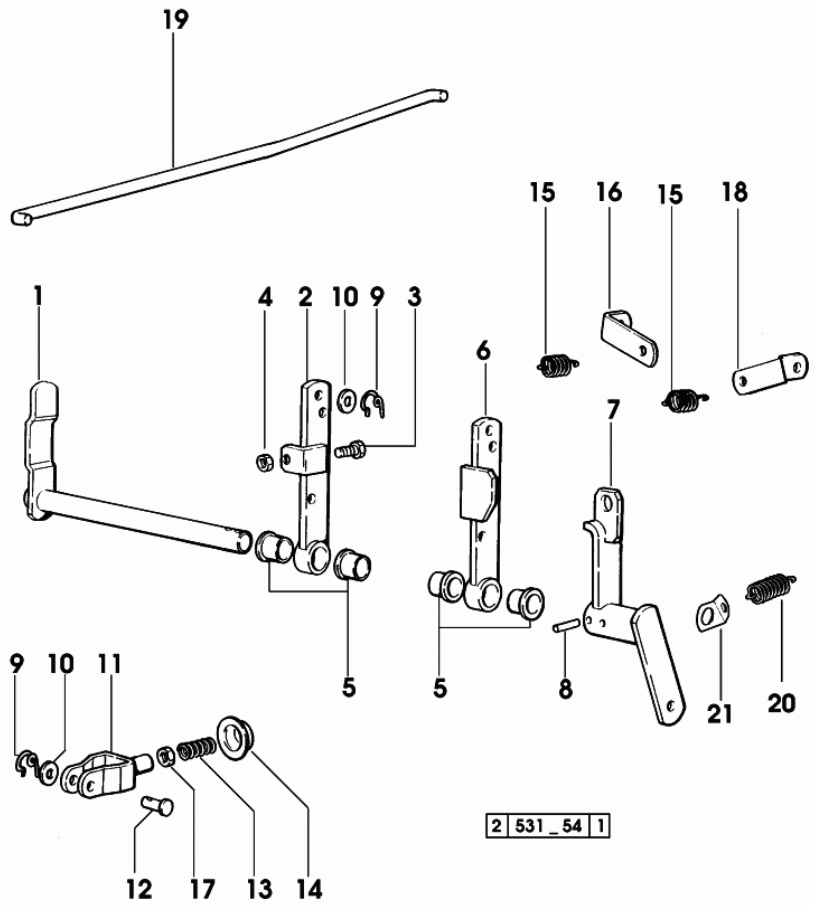
Section: GEAR
REDUCTION GEAR UNIT



| Fig. | Code | QTY | Name |
|------|-----------------|-----|--|
| 1 | 0.008.7223.0/10 | 1 | shaft |
| 2 | 0.008.7224.0 | 1 | gear Z = 49 |
| 2 | 0.010.5236.0 | 1 | gear - X 25HP HYDRO |
| 3 | 2.1410.020.1 | 1 | circlip 50 |
| 4 | 2.1423.027.7 | 1 | circlip 37x1.5 |
| 5 | 2.2770.056.0 | 1 | roller cage 32x37x17 |
| 6 | 2.2043.009.0 | 1 | ball bearing 30x62x16 |
| 7 | 0.008.7225.0/20 | 1 | gear z=50 z=37 |
| 8 | 2.0312.302.2 | 1 | screw m 10 x 12 * - N.1 - 2.4019.645.1 0039 <- X 25HP 5030 <- X 2HP 5HYDRO 0433 <- X 35HP 0104 <- X 42HP |
| 8 | 2.0312.304.2 | 1 | screw m 10 x 16 -> 0040 X 25HP -> 5031 X 25HP HYDRO -> 0434 X 35HP -> 0105 X 42HP |
| 9 | 2.1569.159.0 | 1 | gasket 10.2 |
| 10 | 2.4019.645.1 | 1 | spring * - N.1 - 2.0312.302.2 |
| 11 | 2.2810.004.0 | 1 | ball 5/16" |
| 12 | 2.1019.131.0 | 2 | nut |
| 13 | 0.008.7247.0/10 | 1 | fork |
| 14 | 2.1519.078.0 | 1 | 'o' ring 16 x 24 x 6 |
| 15 | 2.1555.311.0 | 1 | bushing 20x23x20 |
| 16 | 0.010.9998.0 | 1 | rod - X 25HP - 35HP |
| 16 | 0.010.9997.0 | 1 | rod - X 42HP |
| 16 | 0.011.0954.0 | 1 | rod - X 25HP HYDRO |

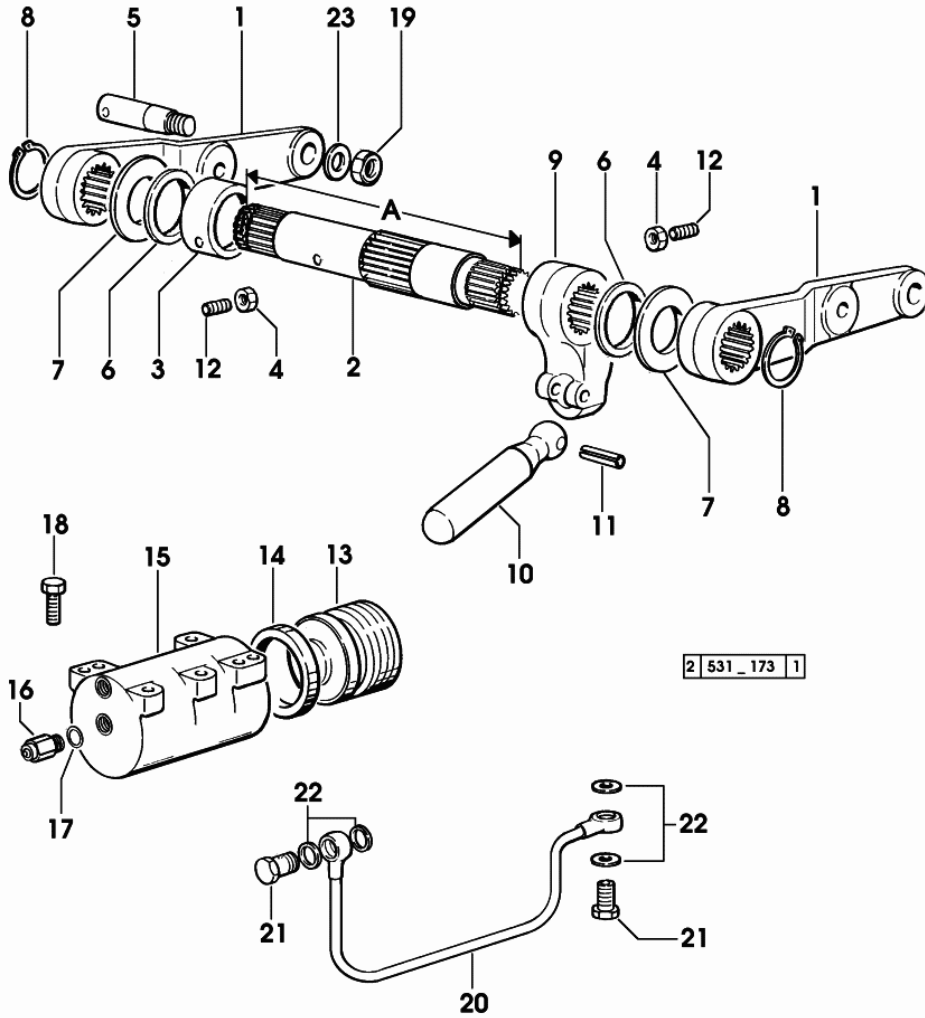
Section: REAR AXLE
BRAKE CONTROLS

| Fig. | Code | QTY | Name |
|------|-----------------|-----|------------------------|
| 1 | 0.008.6432.3 | 1 | lever |
| 2 | 0.008.6442.3 | 1 | lever |
| 3 | 2.0112.209.2 | 1 | screw m 8 p 1.25 x 25 |
| 4 | 2.1011.105.2 | 1 | nut m 8 p.1.25 |
| 5 | 2.1559.278.0 | 4 | bushing 18x22x21 |
| 6 | 0.008.6434.3/10 | 1 | lever |
| 7 | 0.008.7033.3/20 | 1 | lever |
| 8 | 2.1630.613.0 | 2 | roll pin 6 x 30 |
| 9 | 2.4099.073.2 | 6 | spring |
| 10 | 2.1310.006.2 | 6 | flat washer 10.5 |
| 11 | 0.008.6435.3 | 2 | rod |
| 12 | 2.1670.407.2 | 2 | pin 10 x 28 x 24.5 |
| 13 | 2.4019.469.2 | 2 | spring |
| 14 | 0.008.6405.0/10 | 2 | cup |
| 15 | 2.4049.071.2 | 2 | spring 19 x 52 x 2 |
| 16 | 0.008.6409.0/10 | 1 | square sx/lh/li |
| 17 | 2.1011.106.2 | 1 | nut m 10 p.1.5 |
| 18 | 0.008.6455.0/10 | 1 | square dx/rh/re |
| 19 | 0.008.6179.0/10 | 2 | rod - X 25HP - 35HP |
| 19 | 0.008.7701.0/10 | 2 | rod - X 42HP |
| 20 | 2.4049.068.1/10 | 1 | spring 20 x 89 x 2.0 |
| 21 | 0.445.6655.0/20 | 1 | bracket sx/lh/li |



LIFTING

| Fig. | Code | QTY | Name |
|------|-----------------|-----|---|
| 1 | 0.009.2570.0/20 | 2 | lever |
| 2 | 0.009.2569.0/30 | 1 | shaft <- A = mm 327 0014 <- X 25HP 0219 <- X 35HP 0013 <- X 42HP |
| 2 | 0.009.2569.0/40 | 1 | shaft A = mm 330 -> 0015 X 25HP -> 0210 X 35HP -> 0014 X 42HP - X 25HP HYDRO |
| 3 | 0.009.2554.0/40 | 1 | sleeve |
| 4 | 2.1011.105.2 | 2 | nut m 8 p.1.25 |
| 5 | 0.009.3562.0 | 2 | pin |
| 6 | 2.1529.097.0 | 2 | 'o' ring |
| 7 | 2.1599.315.0 | 2 | snoulder |
| 8 | 2.1410.016.1 | 2 | circlip 40 |
| 9 | 0.009.2555.0/20 | 1 | lever |
| 10 | 0.009.2553.0 | 1 | connecting rod |
| 11 | 2.1631.719.0 | 1 | roll pin 8x59 |
| 12 | 2.0522.210.1 | 2 | screw m 8 p.1.25 x 25 |
| 13 | 0.009.2551.0/10 | 1 | piston mm 75 |
| 14 | 2.1518.086.0 | 1 | 'o' ring 60x75 |
| 15 | 0.009.2552.0/10 | 1 | cylinder |
| 16 | 0.9087.464.3 | 1 | valve |
| 17 | 2.1560.010.0 | 1 | gasket 14.2 x 20 x 1.5 |
| 18 | 2.0122.359.2 | 5 | screw m 10 p.1.25 x 25 |
| 19 | 2.1011.509.2 | 2 | nut m 16 p.1.5 |
| 20 | 0.009.2717.3/10 | 1 | tube |
| 21 | 2.3332.003.1 | 2 | pipe union m 12 p.1.25 |
| 22 | 2.1560.008.0 | 4 | gasket 12.2 x 18 |
| 23 | 2.1475.006.6 | 2 | washer 16x32 |



CLICK HERE TO **DOWNLOAD** THE COMPLETE MANUAL

- Thank you very much for reading the preview of the manual.
- You can download the complete manual from: www.heydownloads.com by clicking the link below



- Please note: If there is no response to CLICKING the link, please download this PDF first and then click on it.

CLICK HERE TO **DOWNLOAD** THE COMPLETE MANUAL