

AGROFARM TTV 430

V0 - BALLAST, TOWING HITCHES

FRONT HITCHES

FRONT TOWING HITCH.....	V0.01.0 (1)
FRONT TOWING HITCH.....	V0.01.1 (1)

REAR HITCHES

REAR GEARBOX BRACKETS.....	V0.02.0 (1)
FRAME HOOK HOLDER.....	V0.02.1 (1)
FRAME HOOK HOLDER - FOR TYPES WITH PITON-FIX.....	V0.02.2 (1)
REAR TOWING HITCH CAT: "C".....	V0.02.3 (1)
REAR TOWING HITCH CAT. " C ".....	V0.02.4 (1)
REAR TOWING HITCH CAT: "C".....	V0.02.5 (1)
REAR TOWING HITCH cat. 2 - CEE.....	V0.02.6 (1)
DRAWBAR COUPLING CEE.....	V0.02.7 (1)
REAR TOWING HITCH CAT. " D2 ".....	V0.02.8 (1)
REAR TOWING HITCH CAT: "D2".....	V0.02.9 (1)
REAR TOWING HITCH CAT: "D3".....	V0.02.10 (1)
REAR TOWING HITCH CAT: "D3".....	V0.02.11 (1)
DRAWBAR COUPLING CEE.....	V0.02.12 (1)
DRAWBAR COUPLING MECH.....	V0.02.13 (1)
DRAWBAR COUPLING AUTOM. Ø 38.....	V0.02.14 (1)
TOWING COUPLING AUTOM. MM 38 - DRAWBAR EYE MM 52.....	V0.02.15 (1)
DRAWBAR COUPLING AUTOM. Ø 38.....	V0.02.16 (1)
TOWING COUPLING AUTOM. MM 38 - DRAWBAR EYE MM 63.....	V0.02.17 (1)
REAR SWINGING TOWING-HITCH.....	V0.02.18 (1)
REAR SWINGING TOWING-HITCH.....	V0.02.19 (1)
REAR SWINGING TOWING-HITCH.....	V0.02.20 (1)
DRAWBAR COUPLING.....	0.017.8559.3.A
DRAWBAR COUPLING.....	0.017.8560.3.A
DRAWBAR COUPLING.....	0.017.8561.3.A
DRAWBAR COUPLING.....	0.017.8568.3.A
DRAWBAR COUPLING.....	0.017.8569.3.A
DRAWBAR COUPLING.....	0.017.8573.3.A
DRAWBAR COUPLING.....	0.017.8609.3.A
DRAWBAR COUPLING AUTOM. Ø 38.....	0.017.9619.3.A

FRONT BALLAST WEIGHTS

FRONT WEIGHT CARRIER.....	V0.03.0 (1)
FRONT WEIGHT CARRIER.....	V0.03.1 (1)
FRONT BALLAST 320 Kg.....	V0.03.2 (1)
BALLAST 264 Kg.....	V0.03.3 (1)
FRONT BALLAST 400 Kg.....	V0.03.4 (1)
BALLAST LOCK BAR mm 30x780.....	V0.03.5 (1)
FRONT BALLAST 600 kg.....	V0.03.6 (1)

CLICK HERE TO **DOWNLOAD** THE COMPLETE MANUAL

- Thank you very much for reading the preview of the manual.
- You can download the complete manual from: www.heydownloads.com by clicking the link below



- Please note: If there is no response to CLICKING the link, please download this PDF first and then click on it.

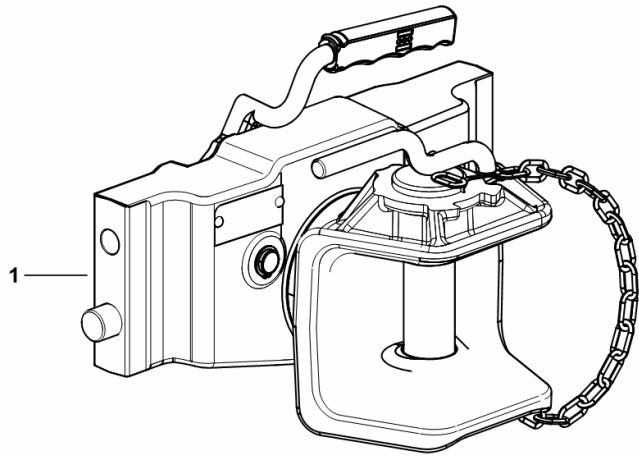
CLICK HERE TO **DOWNLOAD** THE COMPLETE MANUAL

REAR TOWING HITCH cat. 2 - CEE

Fig.	Code	QTY	Name
------	------	-----	------

Notes:
[AGROFARM TTV 430]

1	0.016.5194.3	1	tow hook - CBM - cat. 2 - CEE
---	--------------	---	-------------------------------



9_R4231_65_0-A-001

AGROFARM TTV 430

Section: V0 - BALLAST, TOWING HITCHES

Ref.: V0.02.16 (1)

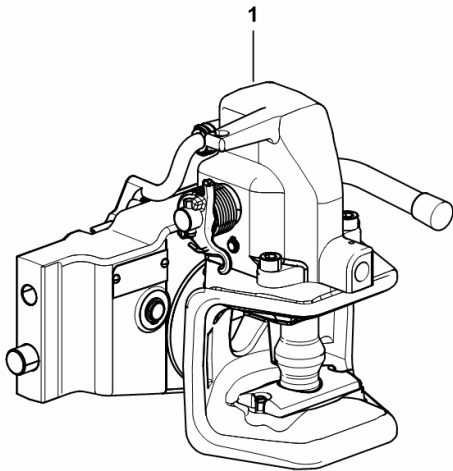
DRAWBAR COUPLING AUTOM. Ø 38

Fig.	Code	QTY	Name
------	------	-----	------

Notes:

- EXPORT CH [AGROFARM TTV 430]

1	0.017.9617.3	1	automatic hook - CBM - CAT. 2 - Ø 38 (-> 1025)
---	--------------	---	--



9_R3031_67_0-A-001

DRAWBAR COUPLING

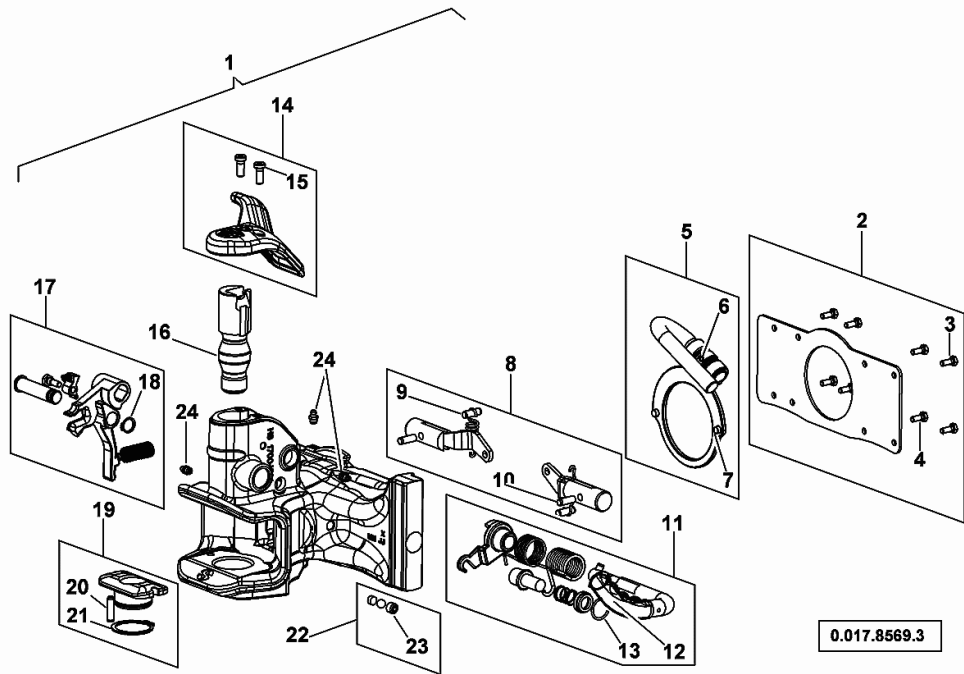


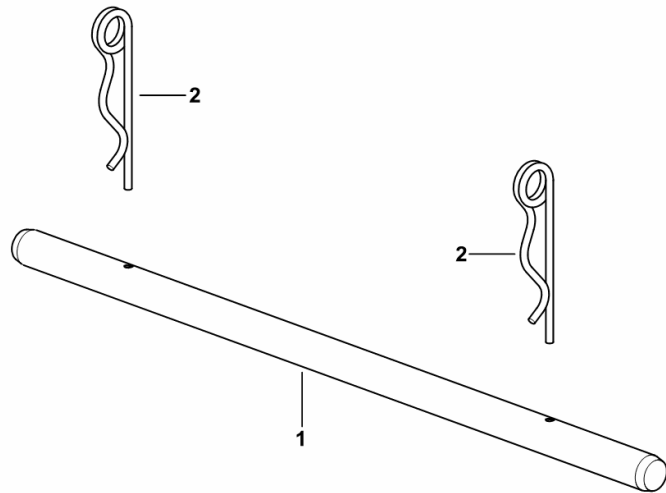
Fig.	Code	QTY	Name
1	0.017.8569.3	1	automatic hook SAUERMANN
2	0.900.0384.5	1	plate
3	0.000.0000.1	2	not serviceable DIN EN20074-M6x12 M6x12
4	0.000.0000.1	6	not serviceable DIN EN20074-M6x20 M6x20
5	0.900.0384.1	1	accessories
6	0.000.0000.1	1	not serviceable ISO 8752 - 6x35 6x35
7	0.000.0000.1	2	not serviceable ISO 8734 - 8 M6x24 M6x10
8	0.900.0384.2	1	accessories
9	0.000.0000.1	2	not serviceable ISO 8734 - 6 M6x26 M6x26
10	0.000.0000.1	2	not serviceable ISO 8734 - 8 M6x24 M6x24
11	0.900.1426.4	1	parts set
12	0.000.0000.1	1	not serviceable ISO 8750 - 8x30 8x30
13	0.000.0000.1	1	not serviceable DIN 7993 - 25x2 25x2
14	0.900.1426.5	1	parts set
15	0.000.0000.1	2	not serviceable DIN 7984 - M8x20 M8X20
16	0.900.1426.6	1	pin
17	0.900.1426.7	1	parts set
18	0.000.0000.1	1	not serviceable DIN 000471- 16X1 16x1
19	0.900.1426.8	1	parts set
20	0.000.0000.1	1	not serviceable ISO 8750 - 8x30 8x30
21	0.000.0000.1	1	not serviceable DIN 000471- 45X1,75

BALLAST LOCK BAR mm 30x780

Fig.	Code	QTY	Name
------	------	-----	------

Notes:
[AGROFARM TTV 430]

1	0.010.4821.0	1	rod 30x780
2	2.1699.084.2	2	pin Ø 27



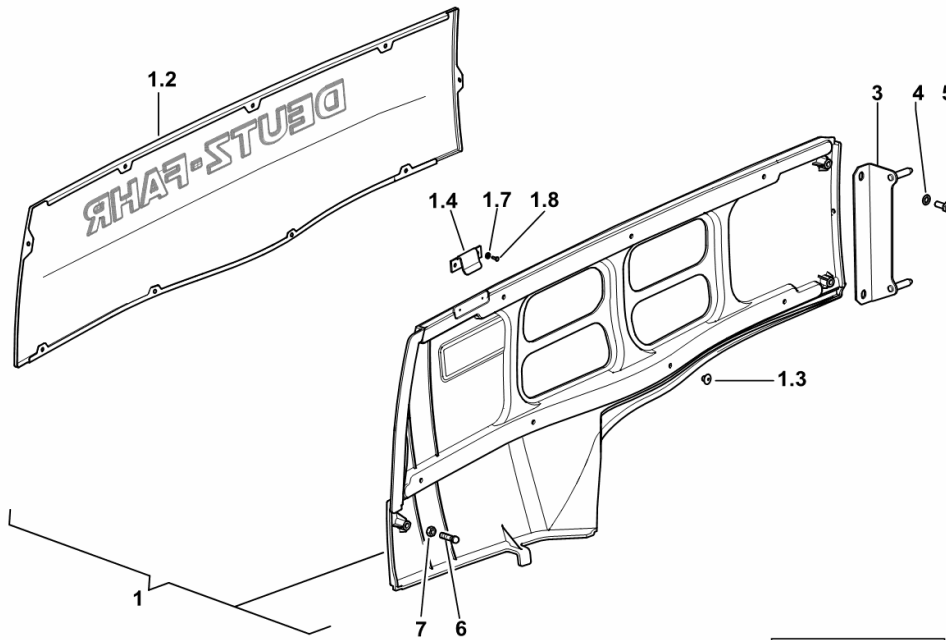
9_64852_61_0-A-001

Section: G0 - BODYWORK - CAB
HOOD - RIGHT SIDE PANEL

Fig.	Code	QTY	Name
------	------	-----	------

Notes:
 [AGROFARM TTV 430]

1	0.014.9371.3/40	1	right h.side panel
1.2	0.014.8541.9/10	1	grille dx/rh/re
1.3	2.1899.074.0	9	rivet 4.7
1.4	0.011.2243.0	1	clevis
1.7	2.1599.673.0	1	washer 4.3x8x2
1.8	2.0350.153.3	2	screw 2.9x9.5
3	0.014.9190.2	1	bracket dx/rh/re
4	2.1470.004.2	2	washer 8
5	2.0112.207.2	2	screw m 8 p 1.25 x 20
6	0.010.0852.0/10	1	pin m 8
7	2.1011.105.2	1	nut m 8 p.1.25



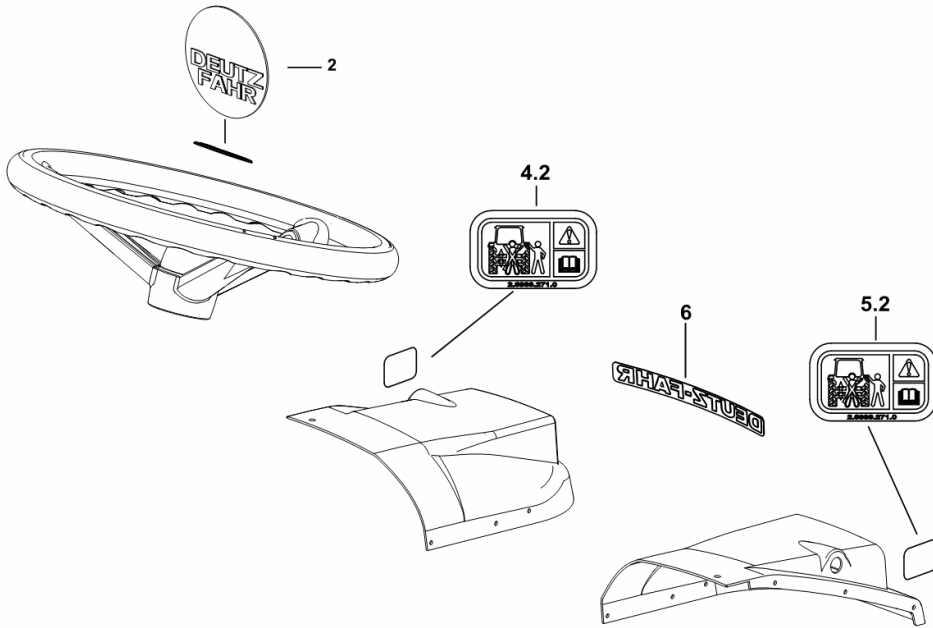
9_H2772_02_0-A-002

PRODUCT PLATE

Fig.	Code	QTY	Name
------	------	-----	------

Notes:
[AGROFARM TTV 430]

2	0.013.8054.0	1	plate DEUTZ-FAHR
4.2	2.9939.271.0	1	plate
5.2	2.9939.271.0	1	plate
6	0.014.9384.2	1	plate DEUTZ-FAHR



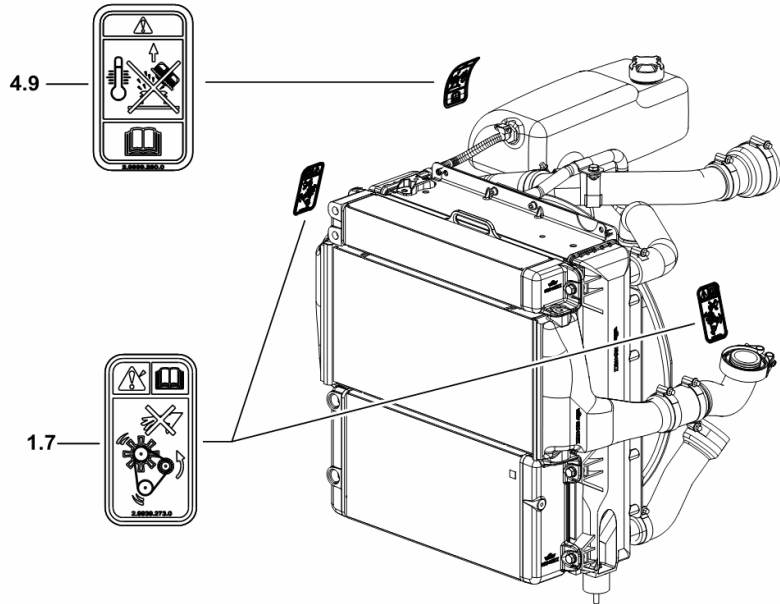
9_H2761_01_0-B-001

WARNING NOTICES ON RADIATOR AND EXPANSION TANK

Fig.	Code	QTY	Name
------	------	-----	------

Notes:
[AGROFARM TTV 430]

1.7	2.9939.273.0	2	plate
4.9	2.9939.280.0	1	plate





9_R8583_00_0-F-001

SPEED DATA PLATES



Fig.	Code	QTY	Name
------	------	-----	------

Notes:
[AGROFARM TTV 430]

100.1	2.9939.467.0	1	plate
100.2	2.9939.468.0	1	plate

ENGINE	1400	1800	1957	2100	RPM
	0 --> 10	0 --> 12	0 --> 13	0 --> 14	Mph 18.4R34
	0 --> 19	0 --> 24	0 --> 25	0 --> 25	
PTO	386	497	540	579	RPM
	475	610	663	712	
	714	918	998	1071	
2.9939.468.0					

100.2

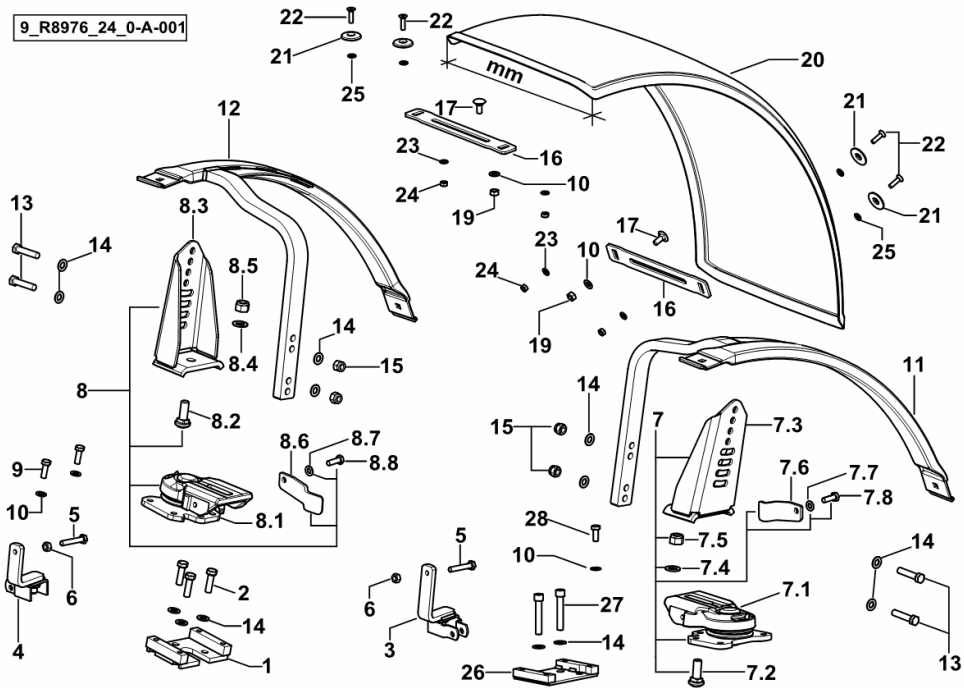
ENGINE	1400	1800	1957	2100	RPM
	0 --> 15	0 --> 20	0 --> 21	0 --> 23	Km/h 18.4R34
	0 --> 30	0 --> 39	0 --> 40	0 --> 40	
PTO	386	497	540	579	RPM
	475	610	663	712	
	714	918	998	1071	
25 Mph (40 Km/h)					
2.9939.467.0					

100.1

9_R8974_00_0-B-001

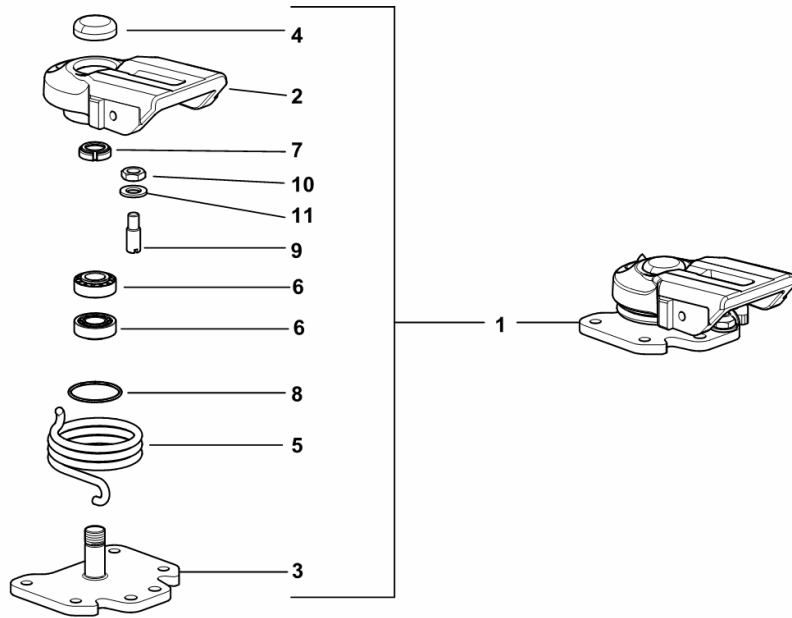
4WD - FRONT MUDGUARDS mm 470

Fig.	Code	QTY	Name
25	2.1310.004.2	8	flat washer 8.5
26	0.011.1390.2/10	1	plate sx/lh/li
27	2.0312.420.2	2	screw m 12 x 70
28	2.0112.309.2	4	screw m 10 p.1.5 x 25



WING HOLDER dx/rh/re

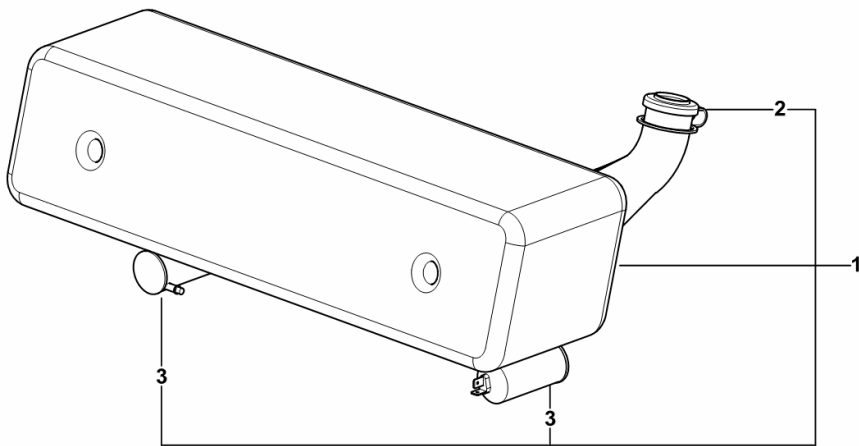
Fig.	Code	QTY	Name
1	0.015.4233.3	1	support dx/rh/re
2	0.000.0000.1	1	not serviceable
3	0.000.0000.1	1	not serviceable
4	0.900.1404.1	1	small cover
5	0.900.1404.2	1	spring
6	0.900.1404.3	2	bearing
7	0.900.1404.4	1	ring nut
8	0.900.1404.5	1	gasket
9	0.900.1404.6	1	grain
10	0.900.1404.7	1	nut
11	0.900.1404.8	1	washer



0.015.4233.3

TANK - PARTS

Fig.	Code	QTY	Name
1	0.015.7395.2	1	cup
2	0.900.0051.6	1	plug
3	0.010.3085.0	2	small pump



0.015.7395.2

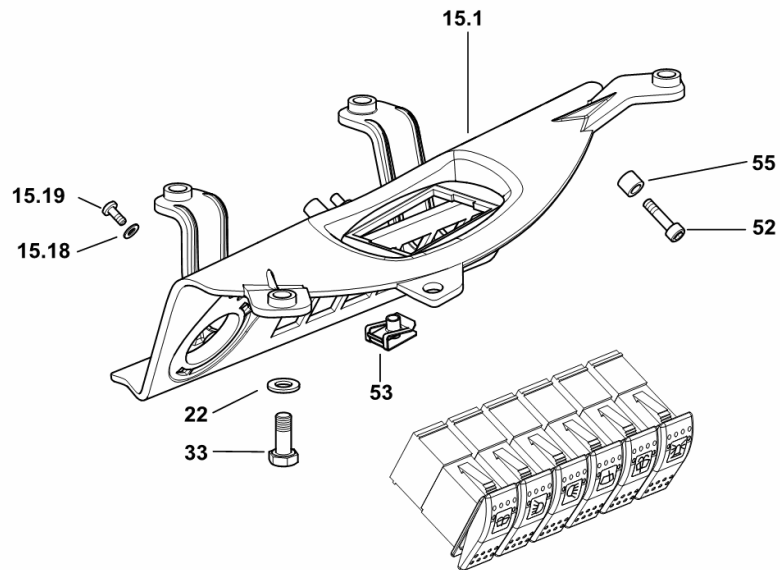
BRACKET

Fig.	Code	QTY	Name
------	------	-----	------

Notes:

- FOR TYPES WITH HEATING AND AIR CONDITIONING [AGROFARM TTV 430] 1052 <-

15.1	0.015.1810.0/30	1	bracket
15.18	2.1310.028.2	3	flat washer 4
15.19	2.0332.203.2	3	screw m 4 x 10
22	2.1310.004.2	11	flat washer 8.5
33	2.0112.207.2	4	screw m 8 p 1.25 x 20
52	2.0312.006.2	2	screw m 5 p.0.8 x 20
53	2.6999.064.6	1	special nut m 6
55	2.1549.651.2	2	spacer



9_R8586_20_0-F-001

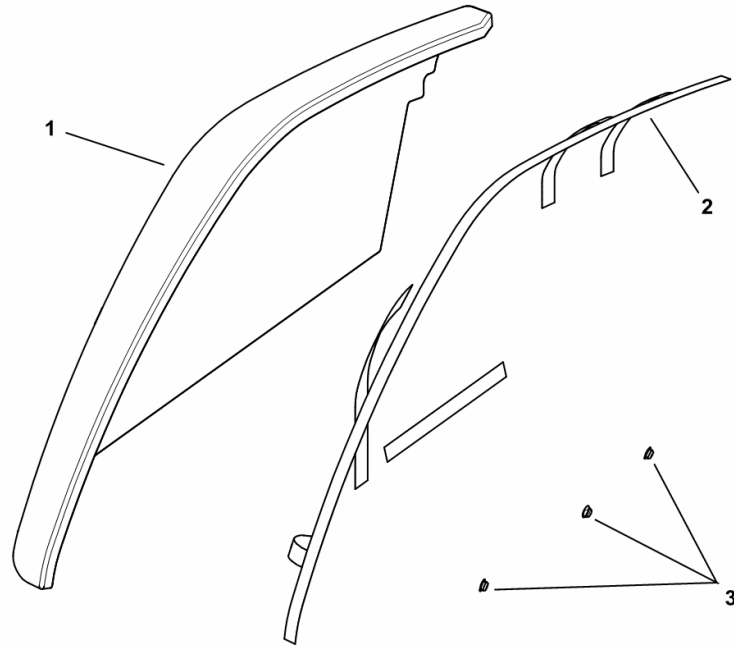
FENDER COATINGS

Fig.	Code	QTY	Name
------	------	-----	------

Notes:

- IN TYPES WITH PASSENGER SEAT [AGROFARM TTV 430]

1	0.018.0241.0	1	covering
2	0.010.1198.0	1	adhesive mm 4500
3	0.178.7455.0	3	plug Ø 12



9_R8571_29_0-A-001

DRIVER'S SEAT - PNEUMATIC SPRINGING MSG 93/721

Fig.	Code	QTY	Name
------	------	-----	------

Notes:
[AGROFARM TTV 430]

1	0.014.3062.4/20	1	sprung seat MSG 93/721 (1002 <-) - IN FABRIC ☞ 0.014.3062.4/20 ☞ 0.014.3062.4/20
1	0.014.3062.4/30	1	sprung seat MSG 93/721 (-> 1003) - IN FABRIC



9_F0275_02_0-A-001

SEAT-COMPONENTS

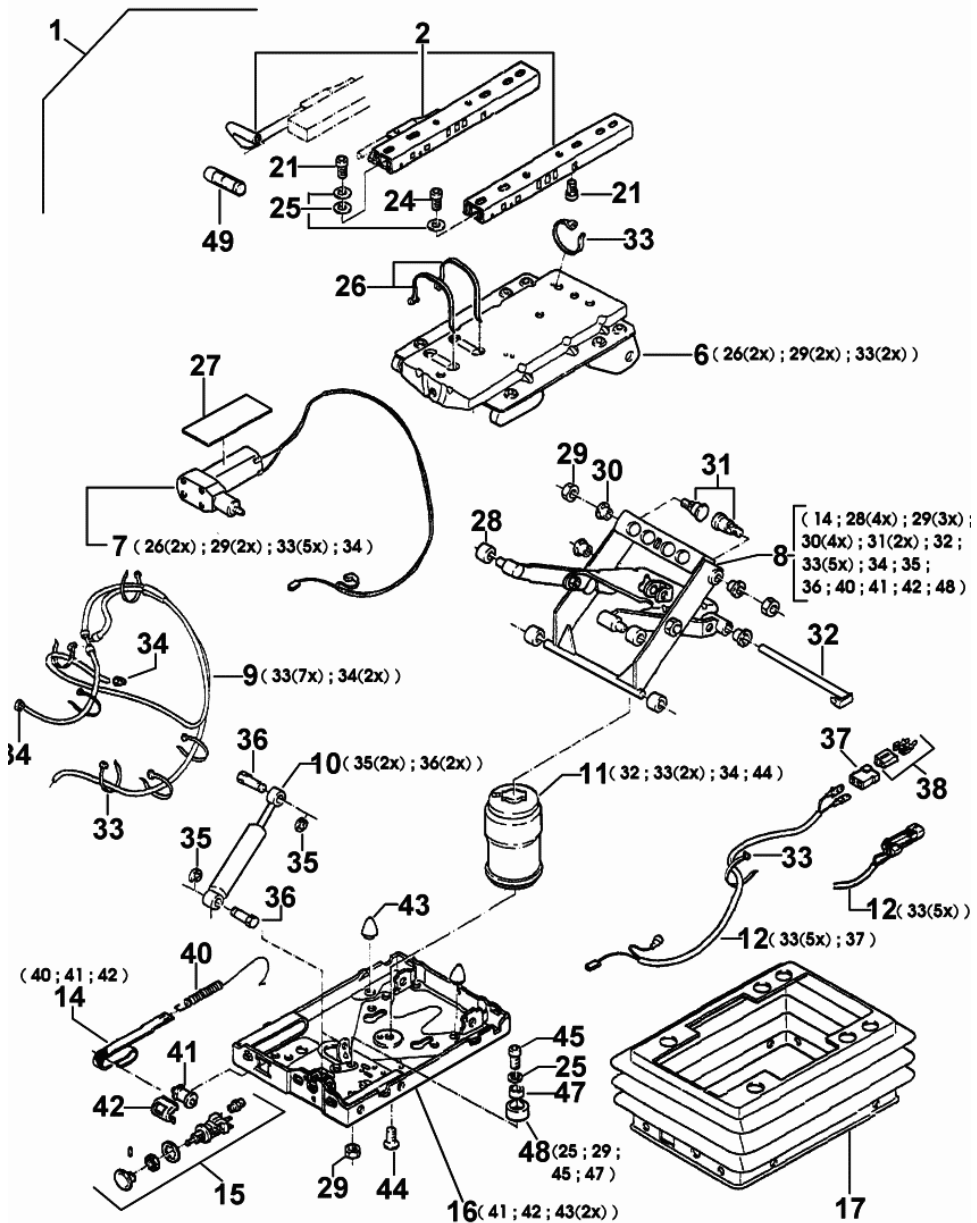


Fig.	Code	QTY	Name
1	0.010.2974.0	1	seat springs
2	0.010.2978.0	1	seat guide
6	0.010.2974.1	1	plate
7	0.900.0307.9	1	gear compressor
8	0.010.2975.0	1	arm
9	0.900.0308.0	1	tube
10	0.009.4494.1	1	shoch.absorber
11	0.010.2975.2	1	spring
12	0.010.2976.0	1	wire
14	0.010.2976.1	1	register
15	0.010.2976.2	1	valve
16	0.010.2978.1	1	plate
17	0.010.2977.1	1	guard
21	0.010.2405.0	2	pin m 8 x 16
24	0.010.2966.1	2	screw m 8 x 12
25	0.000.0000.1	0	not serviceable
26	0.000.0000.1	0	not serviceable
27	0.900.0308.1	1	small plate
28	0.009.4726.1	4	roller
29	0.010.2948.1	3	nut m 8
30	0.009.4715.1	4	spacer
31	0.010.2967.0	2	pin
32	0.010.2967.2	1	pin m 10
33	0.000.0000.1	0	not serviceable
34	0.009.4381.0	2	terminal
35	0.000.0000.1	0	not serviceable
36	0.010.2966.2	2	screw
37	0.010.2977.2	1	pin
38	0.009.4381.1	1	connection
40	0.009.4498.2	1	spring
41	0.009.4496.1	1	roller
42	0.009.4496.0	1	bracket
43	0.010.2275.1	2	stop
44	0.000.0000.1	0	not serviceable
45	0.000.0000.1	0	not serviceable
47	0.009.4720.1	1	bushing
48	0.010.2277.2	1	sub-assy parts
49	0.010.2268.2	1	knob

0_014_3062_4_20_B

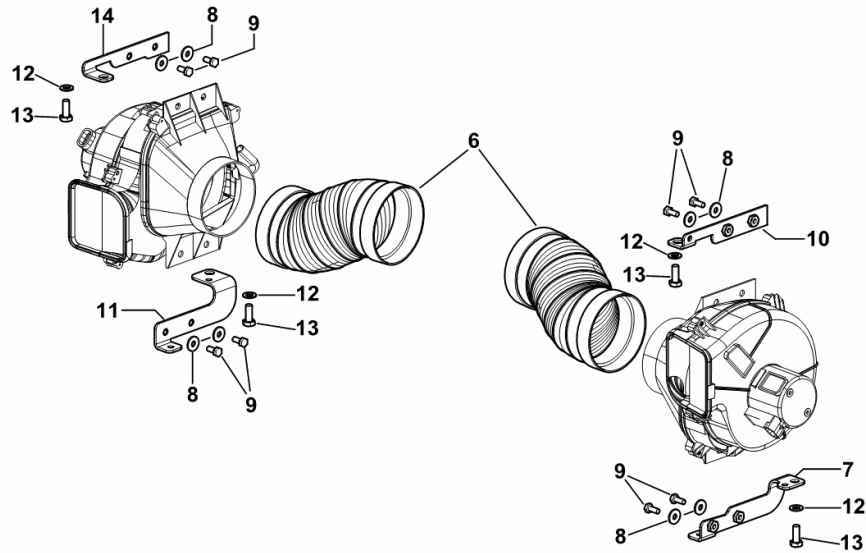
VENTILATION - AIR CONDITIONING - HEATING

Fig.	Code	QTY	Name
------	------	-----	------

Notes:

[AGROFARM TTV 430] -> 1014

6	0.011.4526.3	2	tube
7	0.015.1866.3	1	bracket sx/lh/li
8	2.1312.003.2	8	washer 6
9	2.0112.004.2	8	screw m 6 p.1 x 14
10	0.015.1865.3	1	bracket sx/lh/li
11	0.015.1867.3	1	bracket dx/rh/re
12	2.1310.004.2	23	flat washer 8.5
13	2.0112.207.2	17	screw m 8 p 1.25 x 20
14	0.015.1868.3	1	bracket dx/rh/re



9_J1571_21_0-C-002

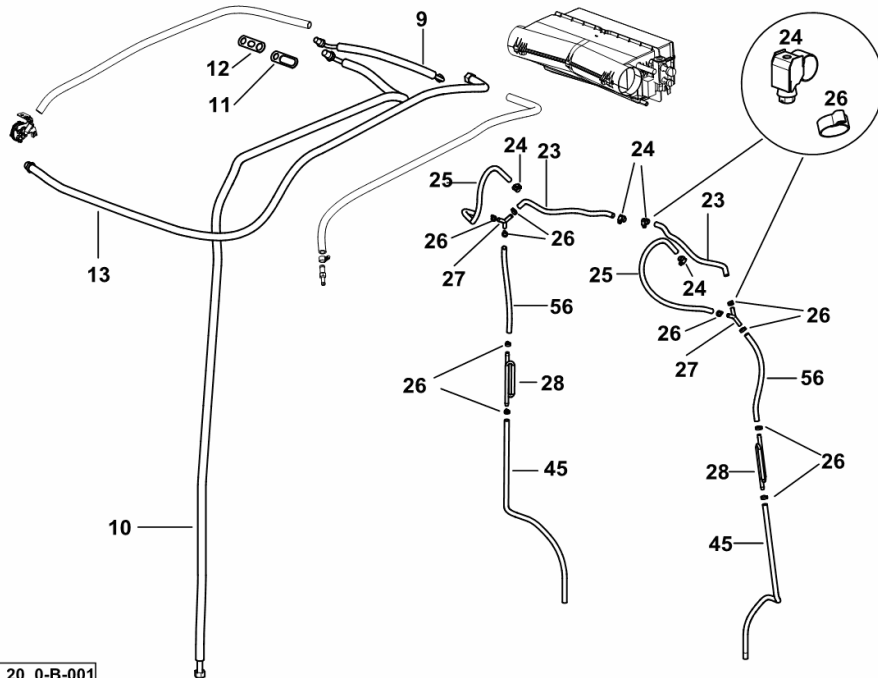
AIR CONDITIONING UNIT - LINES - WITH MANUAL AIR CONDITIONING

Fig.	Code	QTY	Name
------	------	-----	------

Notes:

- FOR TYPES WITH HEATING AND AIR CONDITIONING [AGROFARM TTV 430] -> 1019

9	0.011.2061.3/10	1	tube mm 430
10	0.017.6008.3	1	tube mm 2710
11	0.011.2145.0	1	gasket
12	0.011.2139.0/10	1	small plate
13	0.018.3185.3	1	tube mm 2160
23	0.016.4241.0	2	tube Ø mm10x14x380
24	2.6851.019.0	4	clamp Ø 13/20
25	0.011.3697.0	2	tube Ø mm10x14x500
26	2.6857.019.0	10	clamp 14
27	0.011.6181.0	2	pipe fitting
28	0.011.3724.3	2	tube
45	0.015.6840.0	2	tube Ø mm10x14x700
56	0.017.6126.0	2	tube Ø mm10x14x305



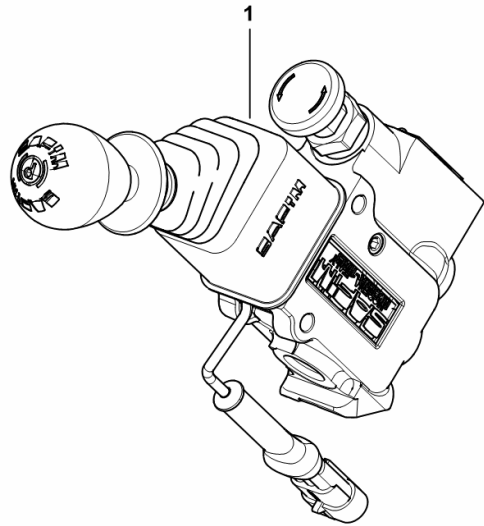
9_R8686_20_0-B-001

Section: G0 - BODYWORK - CAB
PARK CONTROL - BRAKE

Fig.	Code	QTY	Name
------	------	-----	------

Notes:
[AGROFARM TTV 430]

1	2.3729.719.0/10	1	valve
---	-----------------	---	-------



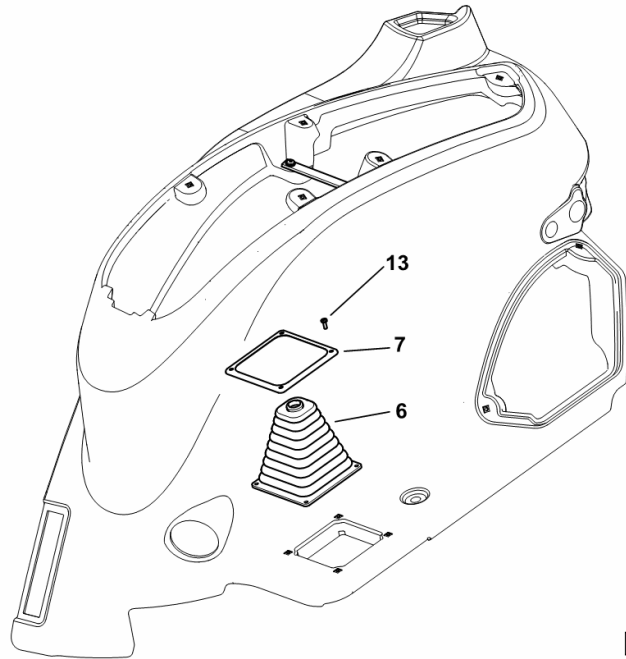
9_J1566_30_0-A-001

LEVER GAITER

Fig.	Code	QTY	Name
------	------	-----	------

Notes:
[AGROFARM TTV 430]

6	0.014.8600.0	1	boot
7	0.014.8599.0	1	metal strap
13	2.0332.204.3	4	screw m 4 p.0.7 x 12



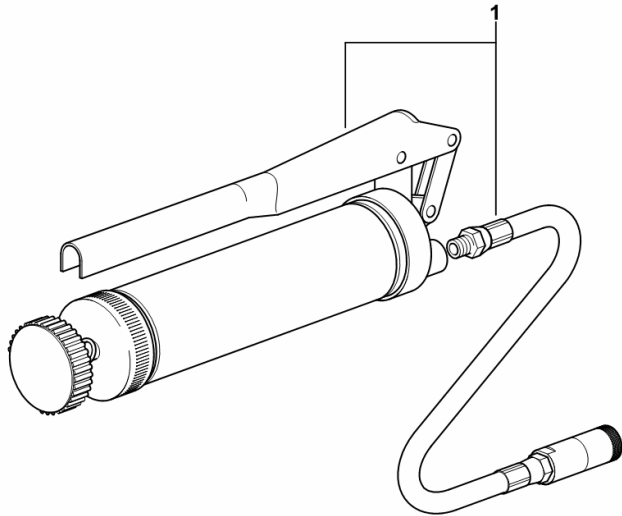
9_R8571_25_0-B-001

LUBRICATOR

Fig.	Code	QTY	Name
------	------	-----	------

Notes:
[AGROFARM TTV 430]

1	0.011.6506.3	1	lubricator
---	--------------	---	------------



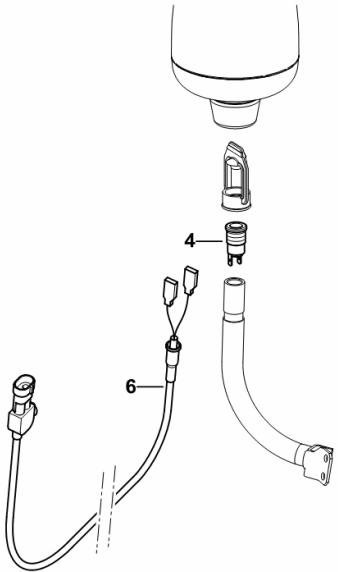
9_59273_01_0-A-001

ELECTRICAL EQUIPMENT ROTARY WARN. LAMP

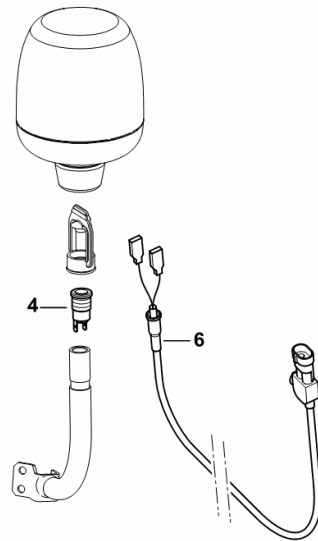
Fig.	Code	QTY	Name
------	------	-----	------

Notes:
[AGROFARM TTV 430]

4	2.6039.017.0	2	socket
6	0.013.6327.4	2	wire



9_J1571_32_0-B-001



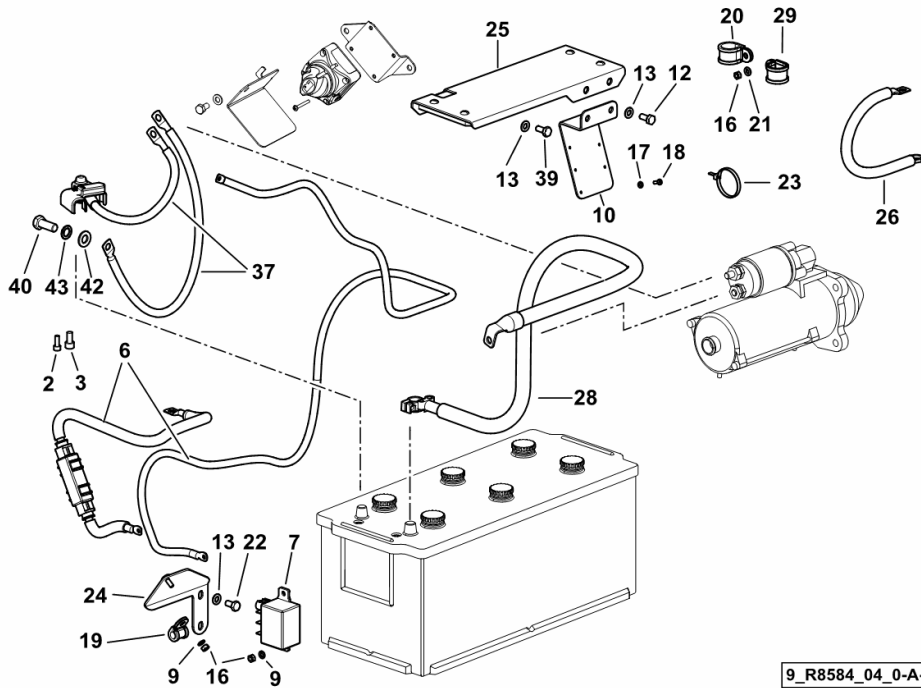
CABLES FOR UNDER STEP BATTERY

Fig.	Code	QTY	Name
------	------	-----	------

Notes:

- WITH UNDER STEP BATTERY [AGROFARM TTV 430]

2	2.0312.104.2	1	screw m 6 p.1 x 16
3	2.0312.204.2	1	screw m 8 p.1.25 x 16
6	0.014.9195.4/20	1	wire ☞ 0.014.9195.4/20
7	2.7659.240.0/10	1	relay 12 V 130A
9	2.1470.002.2	3	washer 6, d128
10	0.016.4417.0	1	bracket
12	2.0112.206.2	4	screw m 8 p.1.25 x 18
13	2.1310.004.2	6	flat washer 8.5
16	2.1011.103.2	3	nut m 6 p.1
17	2.1310.028.2	6	flat washer 4
18	2.0332.204.2	6	screw m 4x0.7x12
19	2.6839.055.0	1	clamp Ø 11 / 20
20	2.6839.054.0	1	clamp Ø 20/25
21	2.1310.002.2	4	washer 6.6, d125
22	2.0112.205.2	4	screw m 8 p.1.25 x 16
23	2.6852.203.0	4	clamp 292 x 4.8
24	0.015.4454.3	1	bracket
25	0.017.3385.3	1	support
26	0.017.1063.4	1	wire
28	0.017.0474.4	1	wire (+)
29	2.6839.064.0	1	clamp 27/20
37	0.017.8922.4/10	1	wire
39	2.0112.205.2	2	screw m 8 p.1.25 x 16
40	2.0112.411.2	1	screw m 12 p.1.75 x 30
42	2.1310.007.2	1	flat washer 13.5
43	2.1474.011.2	1	spring washer 12



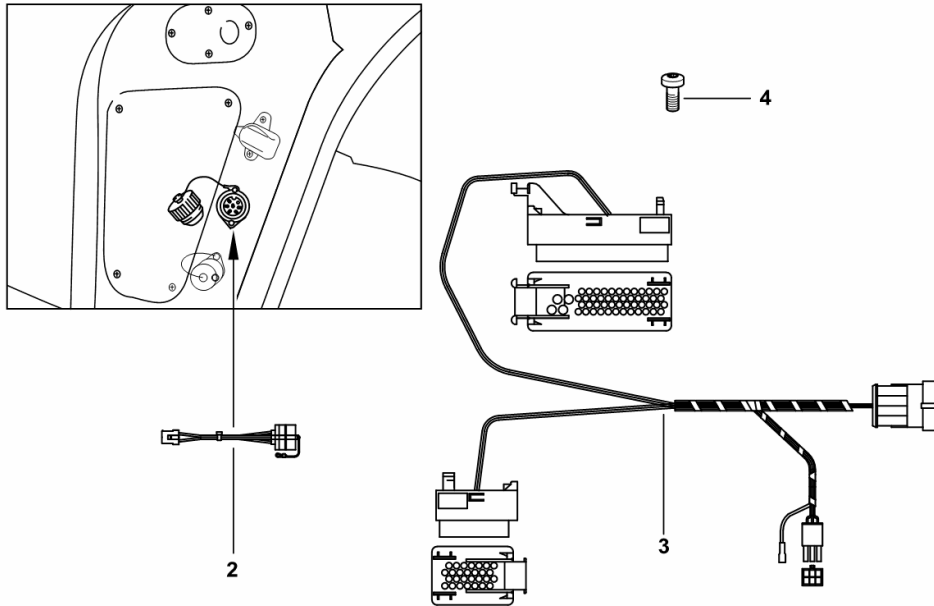
9_R8584_04_0-A-001

Fig.	Code	QTY	Name
------	------	-----	------

Notes:

- FOR ISO 11786 K SOCKET [AGROFARM TTV 430]

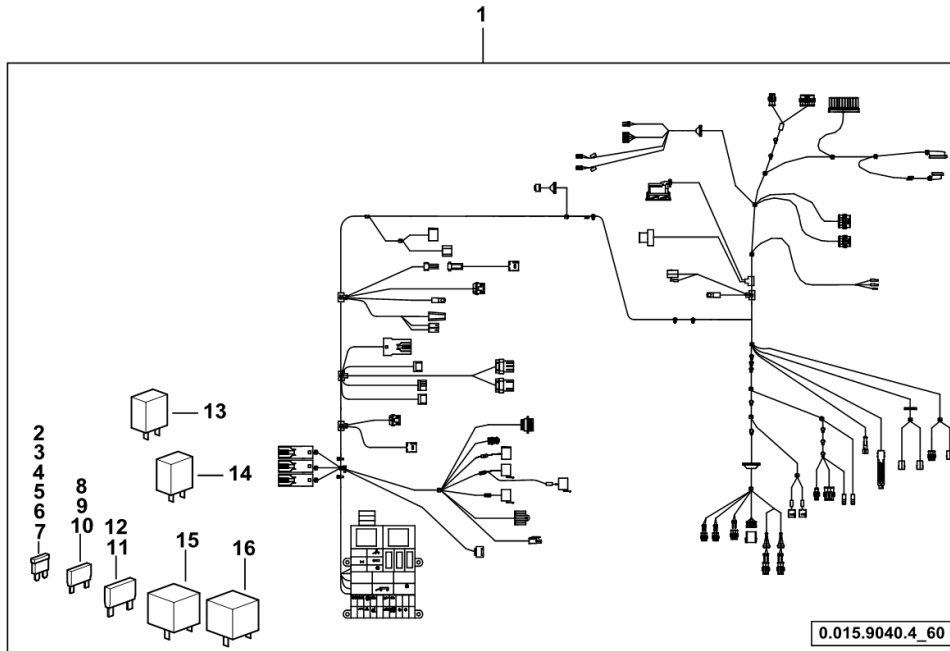
2	04422324.4/10	1	socket ISO 11786
3	0.014.9570.4/10	1	electrical system
4	04424187	2	screw 2.9x16



9_R8884_20_0-B-001

CENTRAL WIRING LOOM

Fig.	Code	QTY	Name
1	0.015.9040.4/60	1	electrical system
2	0.900.1373.9	3	fuse 3 A minival
3	0.900.1194.2	2	fuse 5 A minival
4	0.900.1194.5	7	fuse 7.5 A minival
5	0.900.1194.3	3	fuse 10 A minival
6	0.900.1194.4	8	fuse 15 A minival
7	0.900.1374.0	3	fuse 20 A minival
8	0.010.2088.0	2	fuse 15 A unival
9	0.010.2088.1	2	fuse 20 A unival
10	0.010.2088.2	2	fuse 30 A unival
11	0.010.3901.1	3	fuse 30 A maxival
12	0.010.2089.1	2	fuse 40 A maxival
13	0.900.1289.1	1	relay 15A . 20A
14	0.900.0525.5	4	relay 12 V 30A
15	0.900.1194.6	1	relay 12 V 70A
16	0.900.0904.8	1	relay 12V - 30A



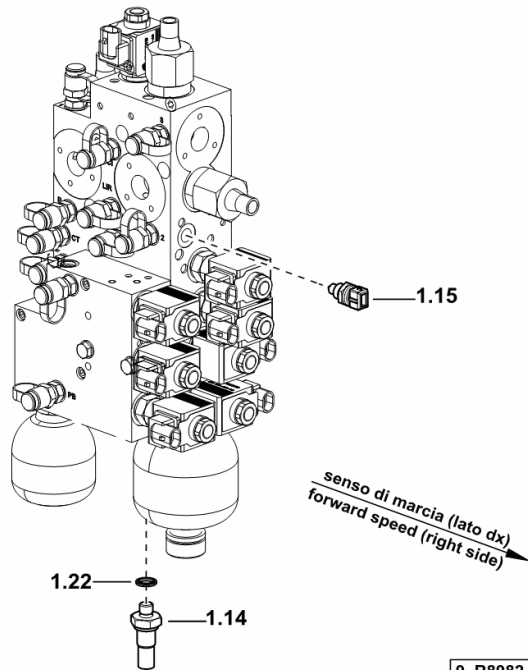
SENSOR AND PRESSURE SWITCH FOR TRANSMISSION VALVE ASSEMBLIES

Fig.	Code	QTY	Name
------	------	-----	------

Notes:

[AGROFARM TTV 430]

1.14	2.7099.670.0/10	1	pressure switch 15 bar
1.15	2.7099.800.0	1	sensor
1.22	2.1561.006.0	1	'o' ring 12



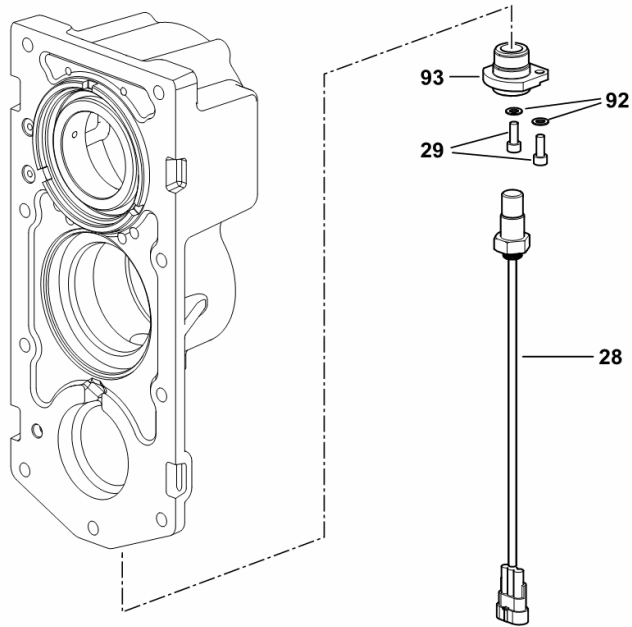
9_R8982_12_0-B-001

SENSOR - SPEED - P.T.O. SHAFT

Fig.	Code	QTY	Name
------	------	-----	------

Notes:
[AGROFARM TTV 430]

28	2.7099.002.0	1	position sensor
29	2.0312.104.2	2	screw m 6 p.1 x 16
92	2.1475.001.7	2	washer 6.4x12
93	0.017.7907.0/10	1	support



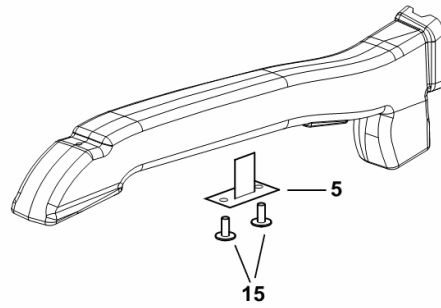
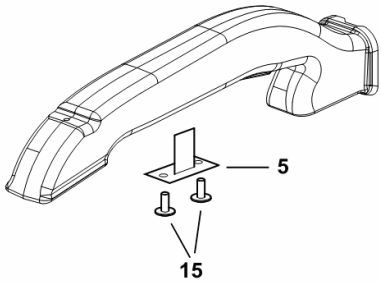
9_J5436_00_0-C-001

AIR DUCT RESISTOR

Fig.	Code	QTY	Name
------	------	-----	------

Notes:
[AGROFARM TTV 430]

5	0.018.0409.0	2	resistance
15	2.0363.103.3	4	screw



9_J1571_21_0-G-001

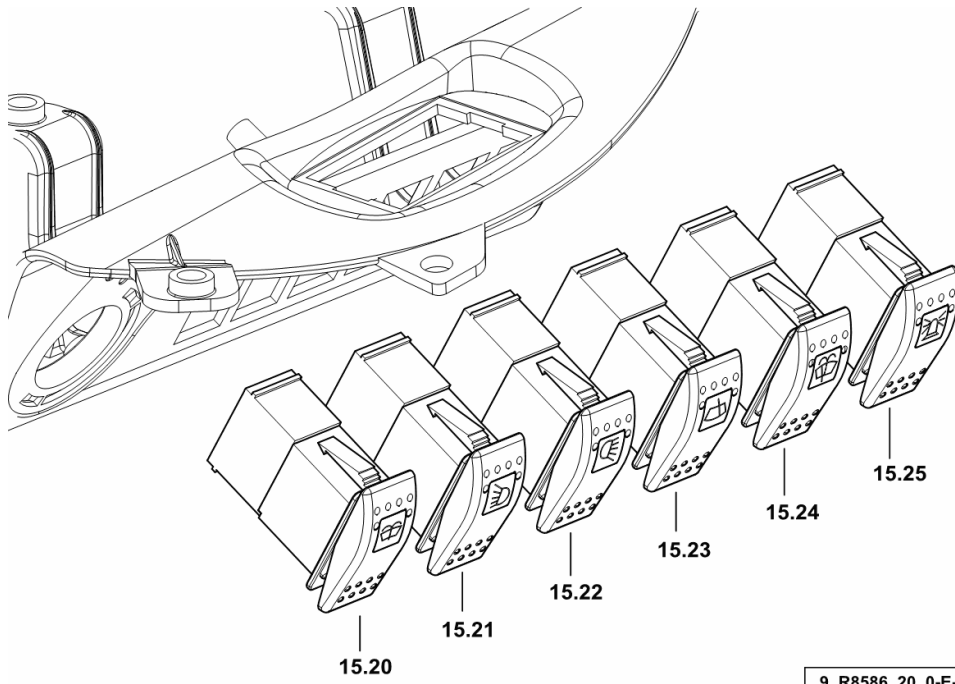
CAB TOP SWITCHES

Fig.	Code	QTY	Name
------	------	-----	------

Notes:

- FOR TYPES WITH HEATING AND AIR CONDITIONING [AGROFARM TTV 430] 1052 <-

15.20	2.7659.223.0/10	1	push-button
15.21	2.7659.154.0	1	switch
15.22	2.7659.155.0	1	switch
15.23	2.7659.224.0/10	1	switch
15.24	2.7659.192.0/10	1	switch
15.25	2.7659.159.0	1	switch

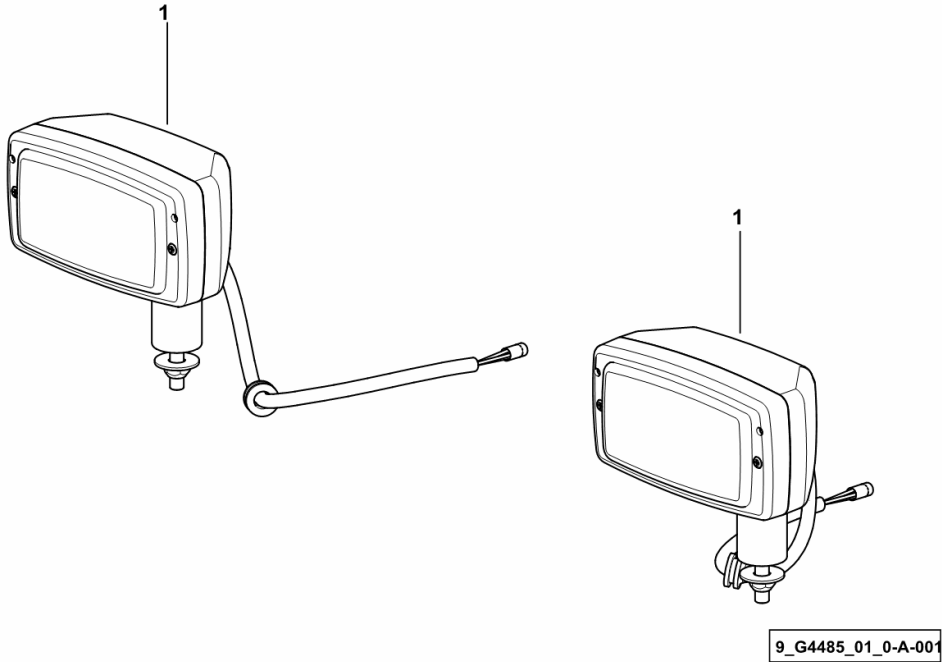


TOP LIGHT GROUP FOR DRIVING ON RIGHT - WORK LIGHTS

Fig.	Code	QTY	Name
------	------	-----	------

Notes:
[AGROFARM TTV 430]

1	2.8059.528.0	2	headlight ☞ 2.8059.528.0
---	--------------	---	-----------------------------



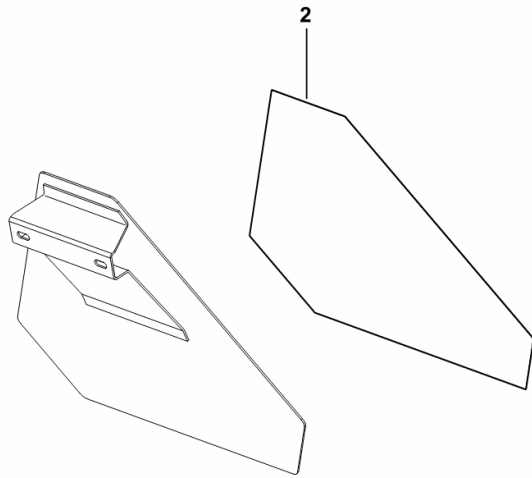
RETROREFLECTOR

Fig.	Code	QTY	Name
------	------	-----	------

Notes:

- EXPORT U.S.A. [AGROFARM TTV 430]

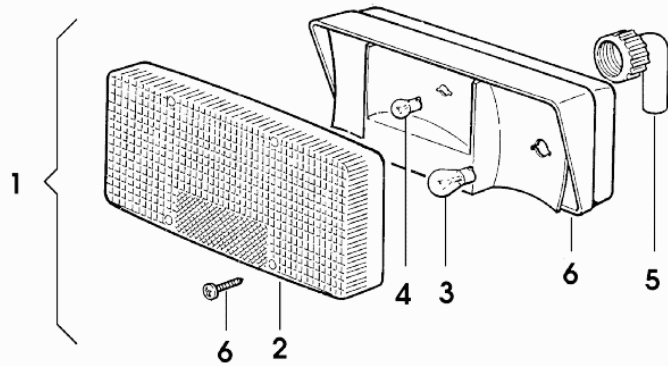
2	0.013.4584.0	1	plate SMV
---	--------------	---	-----------



9_H1576_04_0-B-001

HEADLAMP COMPONENTS

Fig.	Code	QTY	Name
1	2.8059.090.0	1	lamp dx/rh/re
2	2.8059.090.1	1	light body dx/rh/re
3	2.8313.001.0	2	lamp 12V 21W
4	2.8319.004.0	1	lamp
5	2.8019.480.2	1	cap
6	0.000.0000.1	0	not serviceable



2_8059_090_0

AGROFARM TTV 430

B0 - ENGINE

GENERAL

ENGINE.....B0.00.1 (1)

CYLINDER BLOCK

SUPPORTS.....B0.01.0 (1)

FASTENINGS.....B0.01.1007

BLEEDING TUBE.....B0.01.1034

CRANKCASE BREATHER.....B0.01.1051

CRANKCASE.....B0.01.1065

CRANKCASE.....B0.01.1082

OIL FILLER NECK.....B0.01.1090

ACCESSORIES.....B0.01.1134

ACCESSORIES.....B0.01.1135

ACCESSORIES.....B0.01.1137

FILLER CAP.....B0.01.1146

PISTON COOL.NOZZLE.....B0.01.1160

FLANGE.....B0.01.1168

FLANGE.....B0.01.1169

CRANKSHAFT

COOLANT PUMP DRIVEBELT AND BELT TENSIONER.....B0.02.0 (1)

COOLANT PUMP AND COMPRESSOR DRIVEBELT.....B0.02.1 (1)

ENGINE FLYWHEEL.....B0.02.2 (1)

FASTENINGS.....B0.02.1001

V-GROOVED PULLEY.....B0.02.1020

CRANKSHAFT.....B0.02.1040

CRANKSHAFT.....B0.02.1047

COUNTERWEIGHTS.....B0.02.1086

CYLINDERS - PISTONS - CONNECTING RODS

PISTON.....B0.03.1002

CONNECTING ROD.....B0.03.1023

TIMING

FASTENINGS.....B0.04.1011

BUSH.....B0.04.1023

CAMSHAFT.....B0.04.1070

CAMSHAFT.....B0.04.1077

VALVE DRIVE.....B0.04.1088

GEARCASE.....B0.04.1108

GEARCASE.....B0.04.1122

CYLINDER HEAD

FASTENINGS.....B0.05.1007

ENGINE MOUNTING.....B0.05.1015

CLOSING COMPONENTS.....B0.05.1025

Section: B0 - ENGINE
CRANKCASE

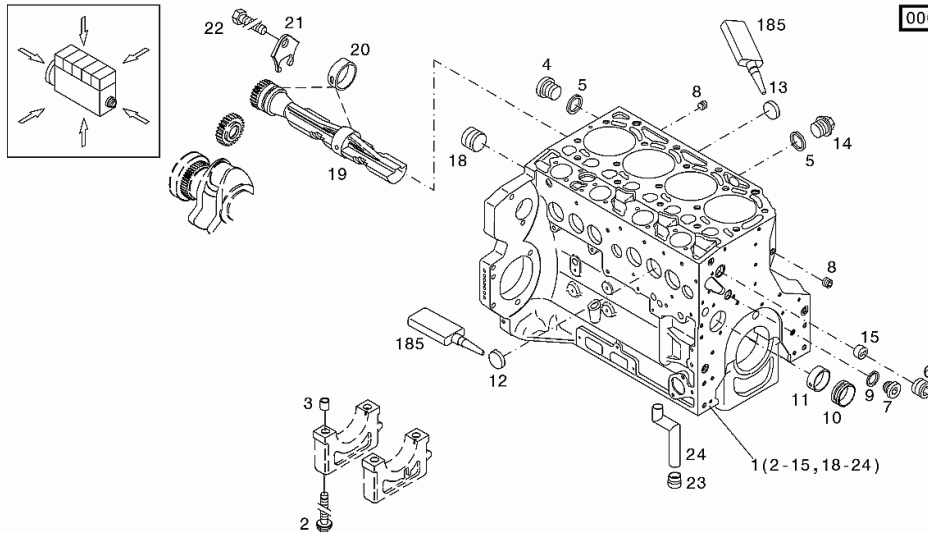
Fig.	Code	QTY	Name
------	------	-----	------

Engine Serial Numbers:

10891829 10891830 10893502 10911300 10911301 10911302 10911304 10924568 10924569 10924570 10924571
 10927940 10927941 10927942 10927943 10927944 10927945 10931386 10931388 10931390 10932429 10932430
 10932431 10939488 10939489 10945471 10949464 10950200 10950203 10952205 10955704 10955705 10955707
 10955948 10956933 10956934 10956935 10956936 10958415 10958416 10958417 10958418 10959415 10959416
 10959417 10959418 10962187 10962188 10962189 10962190 10963146 10963147 10963148 10963149 10964815
 10964816 10965546 10965547 10965548 10965549 10968061 10968062 10968063 10968064 10968558 10968559
 10968560 10968561 10971331 10971332 10973524 10973525 10975967 10975968 10975969 10976677 10976678
 10976679 10976680 10978724 10978725 10978726 10978727 10983151 10983153 10986664 10986665 10986666
 10986667 10986896 10986897 10986898 10987613 10987615 10987616 10988470 10988471 10988473 10989156
 10989158 10989647 10991472 10991473 10991474 10992695 10992696 11002392 11002395 11002396 11002397
 11002398 11002399 11002593 11002594 11006344 11006345 11010531 11011224 11015051 11015053 11015864
 11015865 11015866 11015867 11025401 11027125



1	04297344	1	crankcase WITH POS.... (2-15,18-24)
2	04254240	10	screw
3	04160764	10	bushing
4	01110423	1	screw DIN 908 -M14X1,5-ST-ZNPHRF
5	01118693	3	gasket 14x20 DIN 7603 -A14X20-CU
6	01180890	1	screw H 2812 -906-M30X1,5-ST-A4C-PRE80
7	04292706	1	plug
8	01182031	2	screw H 2812 -906-M14X1,5-ST-A3C-LOCTITE506
9	01101342	1	'o' ring DIN 7603 -D22X27-CU
10	04251884	4	plug
11	04250086	1	ring
12	01148032	6	cover DIN 443 -A45-ZNPHR
13	01148031	4	plug DIN 443 -A36-ZNPHR
14	01100940	2	screw DIN 7604 -AM14X1,5-ST-A4C
15	04202518	1	sleeve
18	04226536	1	bottom
19	04298243	2	shaft
20	04252834	4	sleeve
21	04251810	2	plug
22	01181672	2	nut



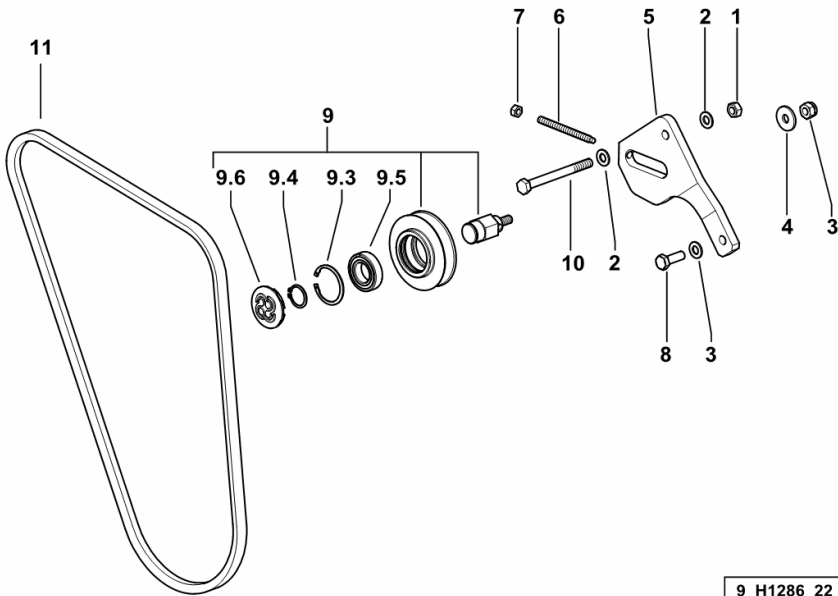
COOLANT PUMP DRIVEBELT AND BELT TENSIONER

Fig.	Code	QTY	Name
------	------	-----	------

Notes:

- FOR TRACTORS WITH AIR HEATING [AGROFARM TTV 430]

1	2.1011.106.2	1	nut m 10 p.1.5
2	2.1310.006.2	3	flat washer 10.5
3	2.1120.221.2	1	selflock nut m 10 p.1.25
4	2.1579.520.2	1	washer 10.5x30x3
5	0.014.8009.0/10	1	bracket
6	2.0399.221.2	1	screw m 8 p.1.25 x 95
7	2.1011.105.2	1	nut m 8 p.1.25
8	2.0112.311.2	1	screw m 10 p.1.5 x 30
9	0.014.2193.4	1	tensioner
9.3	2.1411.019.7	1	circlip 47
9.4	2.1410.010.7	1	ring 25
9.5	2.2999.330.0	1	bearing 25 x 47 x 12
9.6	2.3199.089.0	1	small cover
10	2.0112.331.2	1	screw m 10 p.1.5x110
11	2.4119.005.0	1	belt AV 15x1465 mm



9_H1286_22_0-A-001

CLICK HERE TO **DOWNLOAD** THE COMPLETE MANUAL

- Thank you very much for reading the preview of the manual.
- You can download the complete manual from: www.heydownloads.com by clicking the link below



- Please note: If there is no response to CLICKING the link, please download this PDF first and then click on it.

CLICK HERE TO **DOWNLOAD** THE COMPLETE MANUAL

FASTENINGS

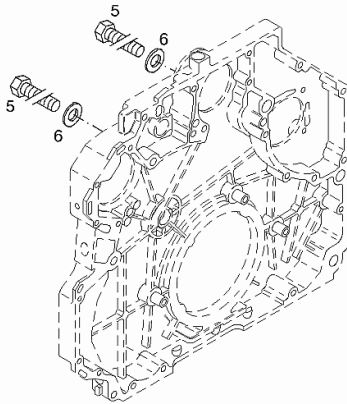
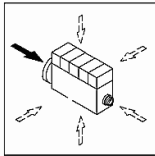
Fig.	Code	QTY	Name
------	------	-----	------

Engine Serial Numbers:

10891829 10891830 10893502 10911300 10911301 10911302 10911304 10924568 10924569 10924570 10924571
 10927940 10927941 10927942 10927943 10927944 10927945 10931386 10931388 10931390 10932429 10932430
 10932431 10939488 10939489 10945471 10949464 10950200 10950203 10952205 10955704 10955705 10955707
 10955948 10956933 10956934 10956935 10956936 10958415 10958416 10958417 10958418 10959415 10959416
 10959417 10959418 10962187 10962188 10962189 10962190 10963146 10963147 10963148 10963149 10964815
 10964816 10965546 10965547 10965548 10965549 10968061 10968062 10968063 10968064 10968558 10968559
 10968560 10968561 10971331 10971332 10973524 10973525 10975967 10975968 10975969 10976677 10976678
 10976679 10976680 10978724 10978725 10978726 10978727 10983151 10983153 10986664 10986665 10986666
 10986667 10986896 10986897 10986898 10987613 10987615 10987616 10988470 10988471 10988473 10989156
 10989158 10989647 10991472 10991473 10991474 10992695 10992696 11002392 11002395 11002396 11002397
 11002398 11002399 11002593 11002594 11006344 11006345 11010531 11011224 11015051 11015053 11015864
 11015865 11015866 11015867 11025401 11027125

000 ©

5	01148131	2	screw ISO 4017 -M16X60-10.9-ZNAL-A
6	01107117	2	washer 17 DIN 125 -A17-140HV-A4C



Section: B0 - ENGINE
CYLINDER HEAD

Fig.	Code	QTY	Name
------	------	-----	------

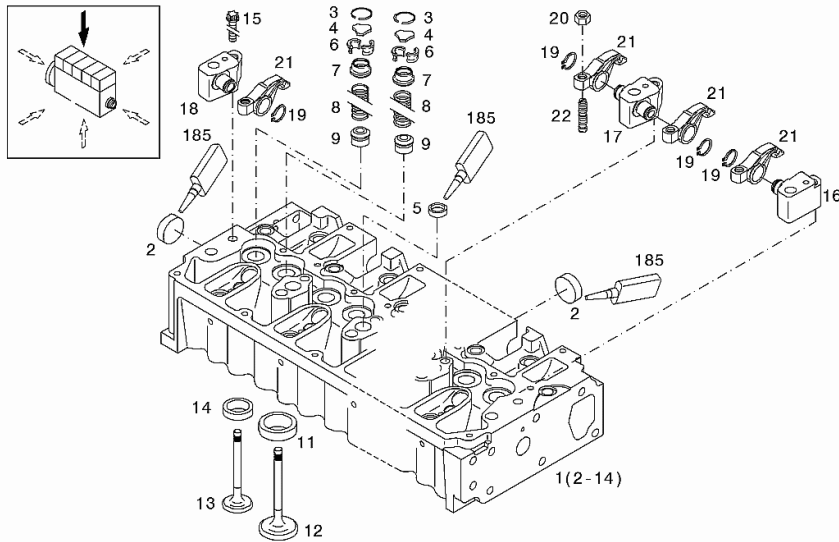
Engine Serial Numbers:

10891829 10891830 10893502 10911300 10911301 10911302 10911304 10924568 10924569 10924570 10924571
 10927940 10927941 10927942 10927943 10927944 10927945 10931386 10931388 10931390 10932429 10932430
 10932431 10939488 10939489 10945471 10949464 10950200 10950203 10952205 10955704 10955705 10955707
 10955948 10956933 10956934 10956935 10956936 10958415 10958416 10958417 10958418 10959415 10959416
 10959417 10959418 10962187 10962188 10962189 10962190 10963146 10963147 10963148 10963149 10964815
 10964816 10965546 10965547 10965548 10965549 10968061 10968062 10968063 10968064 10968558 10968559
 10968560 10968561 10971331 10971332 10973524 10973525 10975967 10975968 10975969 10976677 10976678
 10976679 10976680 10978724 10978725 10978726 10978727 10983151 10983153 10986664 10986665 10986666
 10986667 10986896 10986897 10986898 10987613 10987615 10987616 10988470 10988471 10988473 10989156
 10989158 10989647 10991472 10991473 10991474 10992695 10992696 11002392 11002395 11002396 11002397
 11002398 11002399 11002593 11002594 11006344 11006345 11010531 11011224 11015051 11015053 11015864
 11015865 11015866 11015867 11025401 11027125

000 ©

1	04297363	1	engine head WITH POS.... (2-14)
2	01179634	3	plug H 2860 -A36-ST-FE/ZNPHR
3	04292209	8	ring
4	04290034	8	thrust plate
5	01165828	3	stop H 711 -B20
6	02108102	16	half shell H 7020 -MK8
7	04290033	8	cup
8	03369305	8	spring
9	04153728	8	gasket
11	04192397	4	ring
12	04297361	4	inlet valve
13	04297362	4	exhaust valve
14	04192396	4	ring
15	01148882	10	screw DIN 34800 -BM8X45-12.9-ZNAL-A
16	04195928	1	support
17	04195922	1	support
18	04195924	1	support
19	01107731	8	circlip DIN 471 -21X1,2
20	02109637	8	nut
21	04289278	8	rocker
22	03365861	8	register

- UP TO MONTH OF ASSEMBLY (A) - FROM MONTH OF ASSEMBLY
 SEE POS. (B) A = UP TO 08.2007 B =
 Pos.954

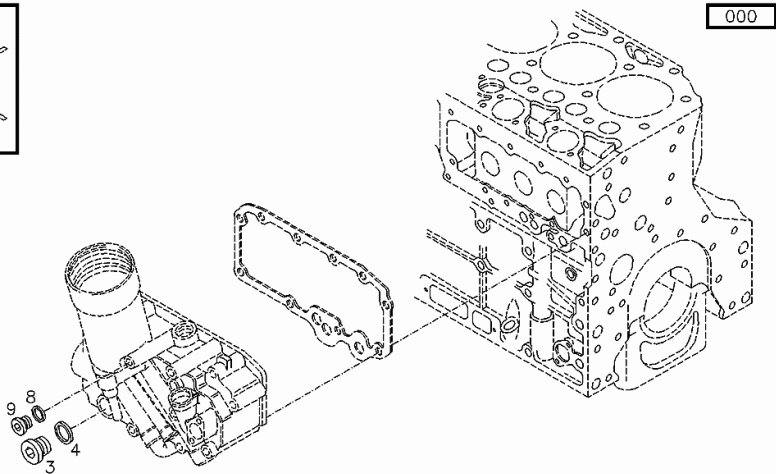
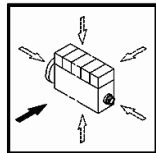


Section: B0 - ENGINE
CLOSING COMPONENTS

Fig.	Code	QTY	Name
------	------	-----	------

Engine Serial Numbers:

10891829 10891830 10893502 10911300 10911301 10911302 10911304 10924568 10924569 10924570 10924571
 10927940 10927941 10927942 10927943 10927944 10927945 10931386 10931388 10931390 10932429 10932430
 10932431 10939488 10939489 10945471 10949464 10950200 10950203 10952205 10955704 10955705 10955707
 10955948 10956933 10956934 10956935 10956936 10958415 10958416 10958417 10958418 10959415 10959416
 10959417 10959418 10962187 10962188 10962189 10962190 10963146 10963147 10963148 10963149 10964815
 10964816 10965546 10965547 10965548 10965549 10968061 10968062 10968063 10968064 10968558 10968559
 10968560 10968561 10971331 10971332 10973524 10973525 10975967 10975968 10975969 10976677 10976678
 10976679 10976680 10978724 10978725 10978726 10978727 10983151 10983153 10986664 10986665 10986666
 10986667 10986896 10986897 10986898 10987613 10987615 10987616 10988470 10988471 10988473 10989156
 10989158 10989647 10991472 10991473 10991474 10992695 10992696 11002392 11002395 11002396 11002397
 11002398 11002399 11002593 11002594 11006344 11006345 11010531 11011224 11015051 11015053 11015864
 11015865 11015866 11015867 11025401 11027125

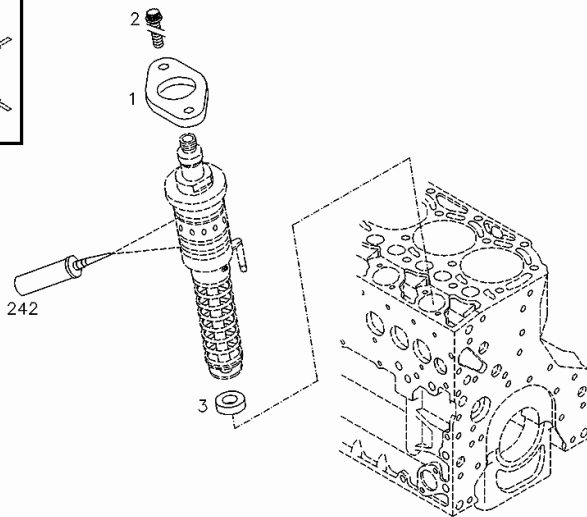
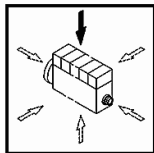


0507 4576

3	01182177	1	screw H 2812 -908-M18X1,5-ST-A4C-PRE80
4	01118713	1	washer 18.5 DIN 7603 -A18X22-CU
8	01118659	1	'o' ring UP TO THE MONTH OF ASSEMBLY 01/2007 DIN 7603 -A10X13,5-CU
9	01131075	1	screw - UP TO MONTH OF ASSEMBLY (A) - FROM MONTH OF ASSEMBLY SEE POS. (B) A = UP TO 01/2007 B = POS. 950 DIN 908 -M10X1-ST-A4C*
950	01148766	1	plug - FROM MONTH OF ASSEMBLY SEE POS. (B) - UP TO MONTH OF ASSEMBLY (A) FROM MONTH OF ASSEMBLY A = UP TO 02/2007 B = Pos.9 WITH GASKETS DIN 908 -M10X1-ST-A4C+DICHTRING*

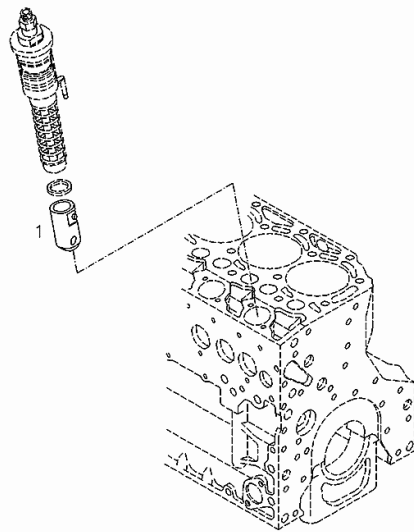
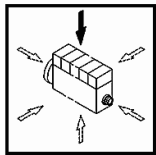
FASTENINGS

Fig.	Code	QTY	Name
955	02113028	1	DEPENDENT ON THE MEASUREMENT, GASKET THICKNESS (A) = MM FOR OTHER THICKNESSES SEE POS. (B) A=4.90 MM B=950-953,955-984 disc
956	02113029	1	DEPENDENT ON THE MEASUREMENT, GASKET THICKNESS (A) = MM FOR OTHER THICKNESSES SEE POS. (B) A=4.95 MM B=950-954,956-984 disc
957	02113030	1	DEPENDENT ON THE MEASUREMENT, GASKET THICKNESS (A) = MM FOR OTHER THICKNESSES SEE POS. (B) A=5.00 MM B=950-955,957-984 disc
958	02113031	1	DEPENDENT ON THE MEASUREMENT, GASKET THICKNESS (A) = MM FOR OTHER THICKNESSES SEE POS. (B) A=5.05 MM B=950-956,958-984 disc
959	02113032	1	DEPENDENT ON THE MEASUREMENT, GASKET THICKNESS (A) = MM FOR OTHER THICKNESSES SEE POS. (B) A=5.10 MM B=950-957,959-984 disc
960	02113033	1	DEPENDENT ON THE MEASUREMENT, GASKET THICKNESS (A) = MM FOR OTHER THICKNESSES SEE POS. (B) A=5.15 MM B=950-958,960-984 disc
961	02113034	1	DEPENDENT ON THE MEASUREMENT, GASKET THICKNESS (A) = MM FOR OTHER THICKNESSES SEE POS. (B) A=5.20 MM B=950-959,961-984 disc
962	02113035	1	DEPENDENT ON THE MEASUREMENT, GASKET THICKNESS (A) = MM FOR OTHER THICKNESSES SEE POS. (B) A=5.25 MM B=950-960,962-984 disc
			DEPENDENT ON THE MEASUREMENT, GASKET THICKNESS (A) = MM FOR OTHER THICKNESSES SEE POS. (B) A=5.30 MM B=950-961,963-984



Section: B0 - ENGINE
ROLLER TAPPET

Fig.	Code	QTY	Name
1	04298064	1	none hydraulic tappets A depending on the type: 4 X 4 cylinders 6 x6 cylinders

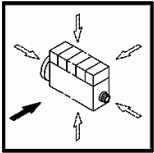


000 ©

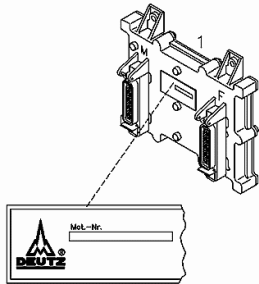
0507 8106

ELECTRONIC CONTROL UNIT - ENGINE

Fig.	Code	QTY	Name
1	02959548	1	central device Control unit with engine specifications (DATA SET) without data set see pos. (950)
950	04213097	1	central device Control appliance without engine specifications WITH DATA SET SEE POSIT. DATE (1)



000 ©

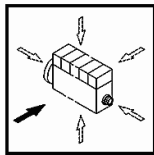


Section: B0 - ENGINE
CLOSING COMPONENTS

Fig.	Code	QTY	Name
------	------	-----	------

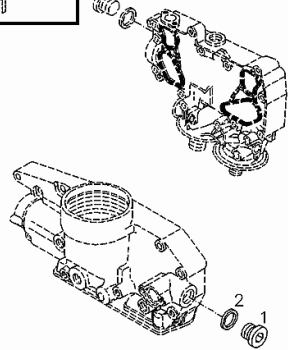
Engine Serial Numbers:

10891829 10891830 10893502 10911300 10911301 10911302 10911304 10924568 10924569 10924570 10924571
 10927940 10927941 10927942 10927943 10927944 10927945 10931386 10931388 10931390 10932429 10932430
 10932431 10939488 10939489 10945471 10949464 10950200 10950203 10952205 10955704 10955705 10955707
 10955948 10956933 10956934 10956935 10956936 10958415 10958416 10958417 10958418 10959415 10959416
 10959417 10959418 10962187 10962188 10962189 10962190 10963146 10963147 10963148 10963149 10964815
 10964816 10965546 10965547 10965548 10965549 10968061 10968062 10968063 10968064 10968558 10968559
 10968560 10968561 10971331 10971332 10973524 10973525 10975967 10975968 10975969 10976677 10976678
 10976679 10976680 10978724 10978725 10978726 10978727 10983151 10983153 10986664 10986665 10986666
 10986667 10986896 10986897 10986898 10987613 10987615 10987616 10988470 10988471 10988473 10989156
 10989158 10989647 10991472 10991473 10991474 10992695 10992696 11002392 11002395 11002396 11002397
 11002398 11002399 11002593 11002594 11006344 11006345 11010531 11011224 11015051 11015053 11015864
 11015865 11015866 11015867 11025401 11027125

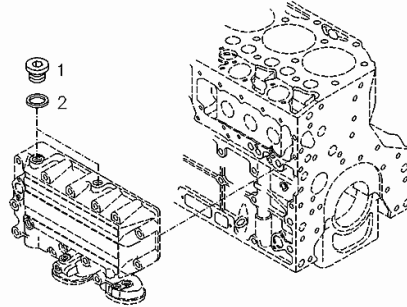


002 ©

1	01148158	2	plug DIN 908 -M26X1,5-ST-A4C
2	01118760	2	gasket 26x31 DIN 7603 -A26X31-CU



(BFM2012)



(BFM1013)

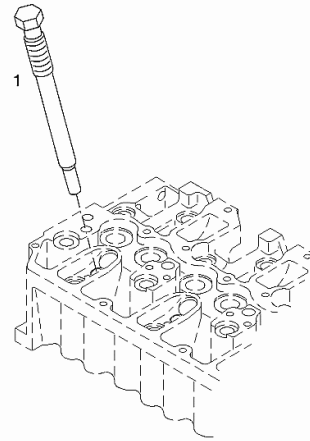
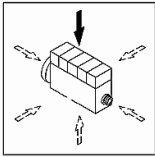
CLOSING COMPONENTS

Fig.	Code	QTY	Name
------	------	-----	------

Engine Serial Numbers:

10891829 10891830 10893502 10911300 10911301 10911302 10911304 10924568 10924569 10924570 10924571

1	04200769	1	stop
---	----------	---	------



001 ©

FASTENINGS

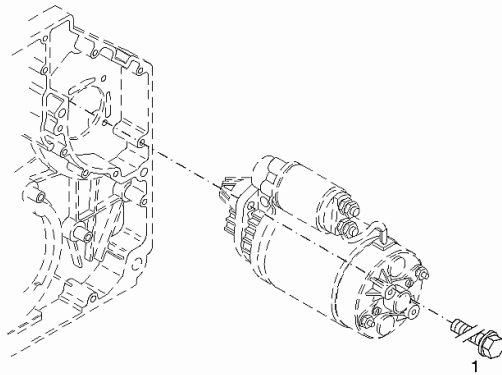
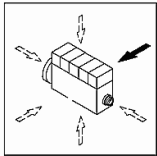
Fig.	Code	QTY	Name
------	------	-----	------

Engine Serial Numbers:

10891829 10891830 10893502 10911300 10911301 10911302 10911304 10924568 10924569 10924570 10924571
 10927940 10927941 10927942 10927943 10927944 10927945 10931386 10931388 10931390 10932429 10932430
 10932431 10939488 10939489 10945471 10949464 10950200 10950203 10952205 10955704 10955705 10955707
 10955948 10956933 10956934 10956935 10956936 10958415 10958416 10958417 10958418 10959415 10959416
 10959417 10959418 10962187 10962188 10962189 10962190 10963146 10963147 10963148 10963149 10964815
 10964816 10965546 10965547 10965548 10965549 10968061 10968062 10968063 10968064 10968558 10968559
 10968560 10968561 10971331 10971332 10973524 10973525 10975967 10975968 10975969 10976677 10976678
 10976679 10976680 10978724 10978725 10978726 10978727 10983151 10983153 10986664 10986665 10986666
 10986667 10986896 10986897 10986898 10987613 10987615 10987616 10988470 10988471 10988473 10989156
 10989158 10989647 10991472 10991473 10991474 10992695 10992696 11002392 11002395 11002396 11002397
 11002398 11002399 11002593 11002594 11006344 11006345 11010531 11011224 11015051 11015053 11015864
 11015865 11015866 11015867 11025401 11027125

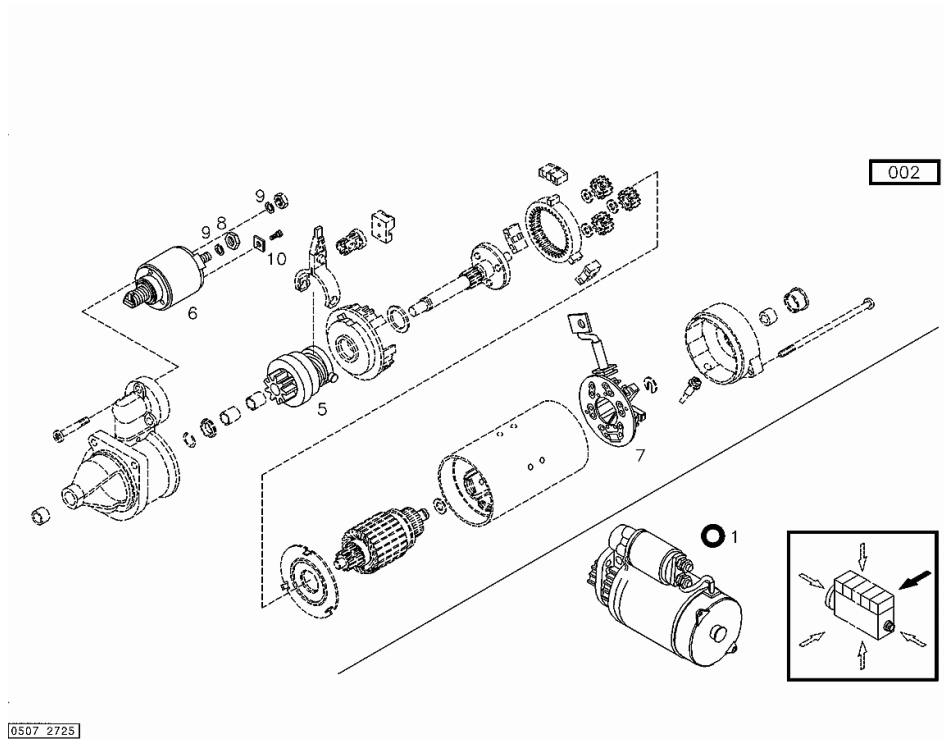
003 ©

1	01148623	3	screw 60 Nm EN 1662 -F-M10X38-10.9-ZNAL-A
---	----------	---	---



STARTER

Fig.	Code	QTY	Name
1	01180928	1	starter motor NEW SPARE PART RECONDITIONED SPARE PART, SEE POS. (A) (A) POS. 950 H 821970-VB4R12VX3KW
5	01340465	1	pinion
6	01319750	1	relay
7	01319759	1	support
8	01318661	1	nut
9	01318434	2	spring washer
10	01320794	1	small plate
950	03045396	1	starter motor RECONDITIONED SPARE PART FOR NEW SPARE PART SEE POS (A) (A) POS. 1 H 821970-VB4R12VX3KW

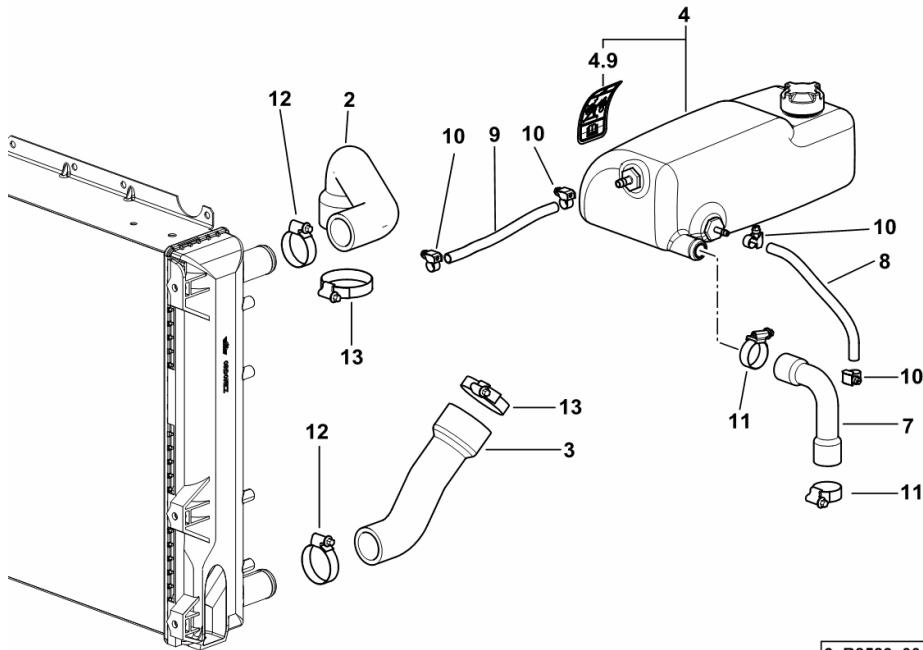


PIPES FOR WATER COOLER AND TANK

Fig.	Code	QTY	Name
------	------	-----	------

Notes:
[AGROFARM TTV 430]

2	0.014.8024.0	1	sleeve
3	0.014.8025.0	1	sleeve
4	0.014.8023.4/10	1	cup ☞ 0.014.8023.4/10
4.9	2.9939.280.0	1	plate
7	0.014.8010.0/10	1	tube
8	0.016.6692.0	0.2	rubber tube
9	0.012.6457.0	0.18	tube
10	2.6851.018.0	4	clamp 11/17
11	2.6851.003.0	2	clamp Ø 25/40
12	2.6851.004.0	2	clamp Ø 32/50
13	2.6851.006.0	7	clamp Ø 50/70

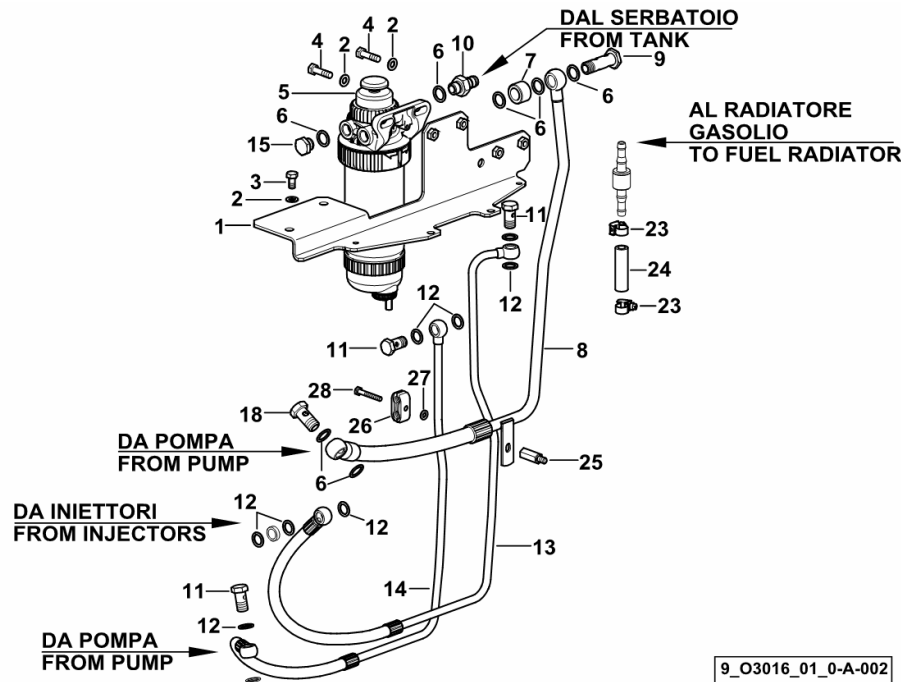


9_R8583_00_0-E-001

FUEL FILTER SUPPLY

Fig.	Code	QTY	Name
------	------	-----	------

Notes:
[AGROFARM TTV 430]



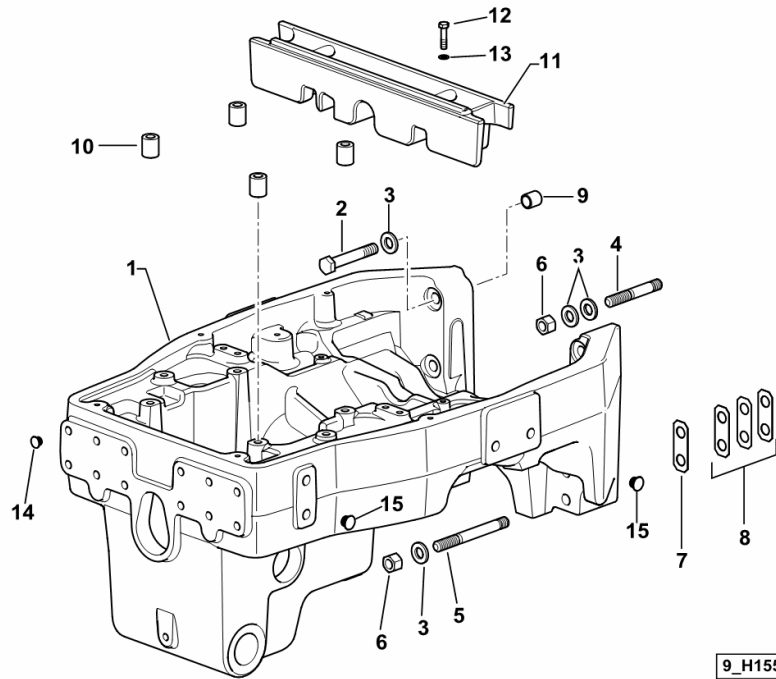
1	0.014.8692.3/20	1	bracket
2	2.1310.004.2	6	flat washer 8.5
3	2.0112.205.2	2	screw m 8 p.1.25 x 16
4	2.0112.211.2	4	screw m 8 p.1.25 x 30
5	2.4319.290.0/10	1	precleaner ☞ 2.4319.290.0/10
6	2.1560.012.0	8	gasket 16.2 x 22 x 1.5
7	2.1549.335.2	1	spacer 26.9x5x18
8	0.017.7968.3	1	tube
9	2.3339.597.2/10	1	pipe union m 16 p.1.5x50
10	2.3339.322.2	1	pipe union
11	2.3332.004.2	3	pipe union m 14 p.1.5 x 27
12	2.1560.010.0	9	gasket 14.2 x 20 x 1.5
13	0.017.7970.3	1	tube
14	0.017.7969.3	1	tube
15	2.3110.404.2	2	plug m 16 p.1.5
18	2.3332.005.2	1	pipe fitting m 16 p.1.5
23	2.6851.019.0	2	clamp Ø 13/20
24	0.012.6449.0	0.1	tube
25	0.017.8246.0	1	small column
26	2.3321.007.0	1	collar 10/10
27	2.1310.002.2	1	washer 6.6, d125
28	2.0114.015.2	1	screw m 6 p.1 x 40

4WD - FRONT SUPPORT WITH FRONT PTO

Fig.	Code	QTY	Name
------	------	-----	------

Notes:
[AGROFARM TTV 430]

1	0.014.7955.0/40	1	support
2	2.0119.232.2	2	screw m 16 p.2x98
3	2.1475.206.7	8	washer 17x32
4	2.0443.423.7	2	stud bolt m 16 p.1.5x90
5	2.0443.428.7	4	stud bolt m 16 p.1.5 x 130
6	2.1012.309.7	6	nut m 16 p.1.5
7	0.010.6375.0	2	shim mm 0.1
8	0.010.6376.0	6	shim mm 0.20
9	2.2680.047.0	2	ring 17x22x23
10	2.1579.820.2	4	spacer 13x25x30
11	0.014.9315.2/10	1	gasket
12	2.0112.213.2	2	screw m 8 p.1.25 x 35
13	2.1470.004.2	2	washer 8
14	2.3199.360.0	12	plug m 14 p.2
15	2.3199.361.0	8	plug m 18 p.2.5



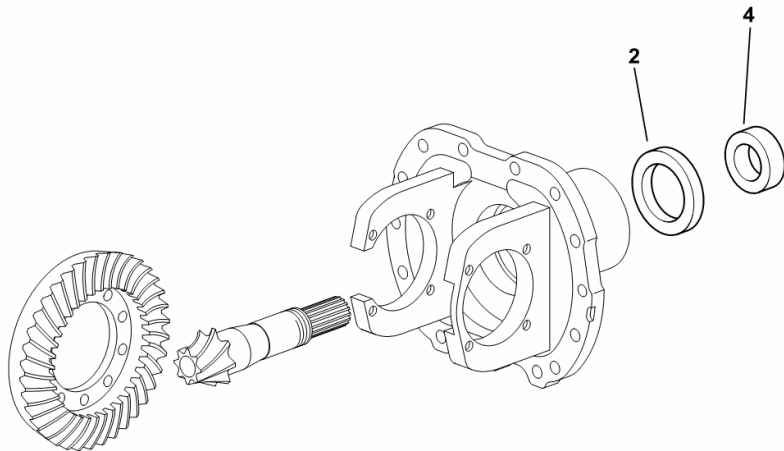
9_H1552_02_0-A-001

DIFFERENTIAL SEAL RINGS

Fig.	Code	QTY	Name
------	------	-----	------

Notes:
[AGROFARM TTV 430]

2	2.1529.007.0/10	1	'o' ring 58 x 80 x 13
4	0.255.4650.0	1	spacer 35 x 58 x 19



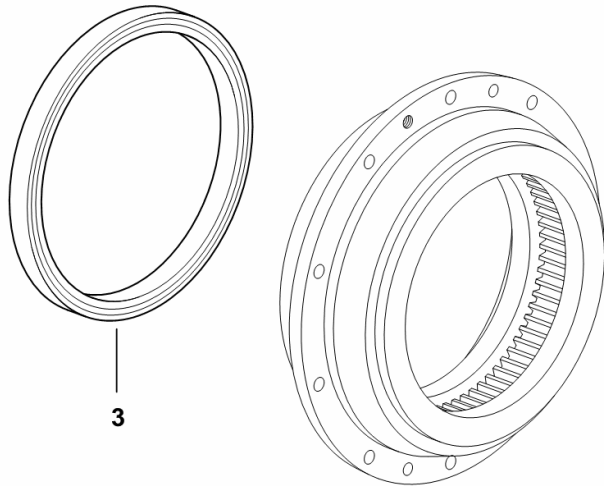
9_62346_01_0-A-001

REDUCTION GEAR SEAL RINGS

Fig.	Code	QTY	Name
------	------	-----	------

Notes:
[AGROFARM TTV 430]

3	2.1529.138.0	2	'o' ring 210x240x19.5/21.5
---	--------------	---	----------------------------



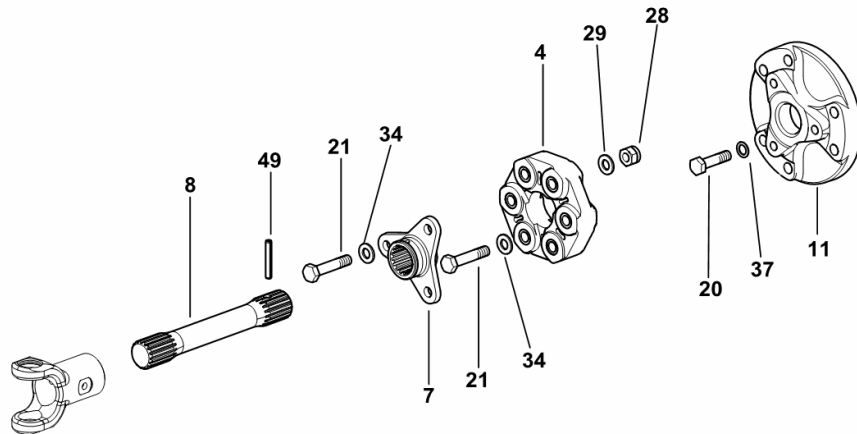
9_62346_01_0-B-001

DRIVE SHAFT - FRONT P.T.O. SHAFT

Fig.	Code	QTY	Name
------	------	-----	------

Notes:
[AGROFARM TTV 430]

4	0.008.8341.0/10	1	flex coupling
7	0.009.1758.0/40	1	flange
8	0.010.7469.0/10	1	p.t.o.shaft
11	0.014.2191.0/10	1	flange
20	2.0112.315.2	6	screw m 10 p.1.5 x 40
21	2.0112.319.2	6	screw m 10 p.1.5 x 50
28	2.1120.006.2	3	nut m 10 p.1.5
29	2.1310.006.2	3	flat washer 10.5
34	2.1470.006.2	14	lock washer 10
37	2.1480.015.2	6	washer 10
49	2.1630.615.0	1	roll pin 6x40



9_R8559_85_0-E-001

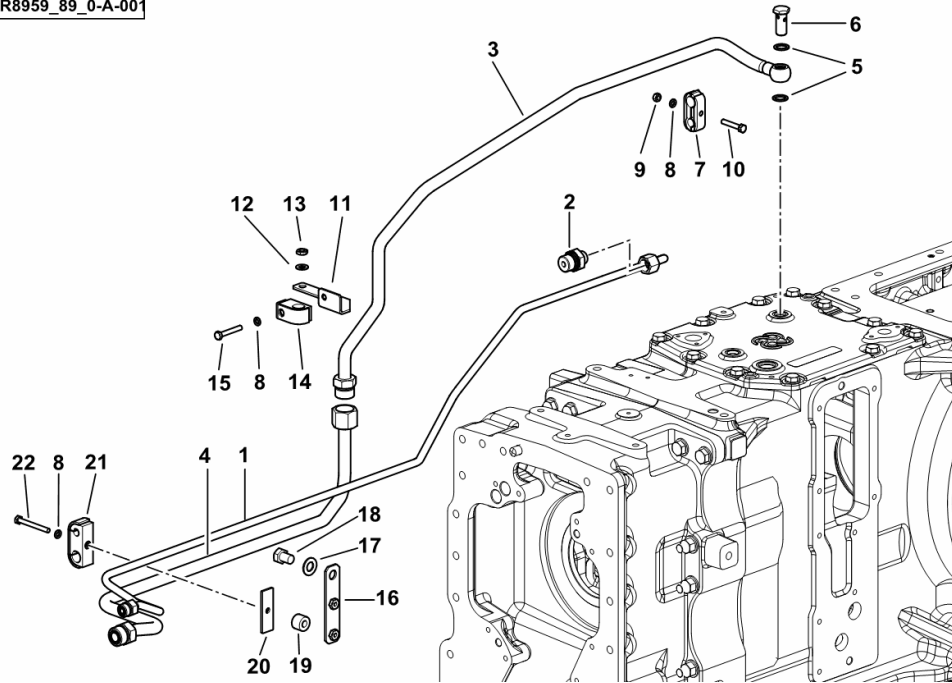
Section: M0 - FRONT PTO
FRONT PTO HYDRAULIC SYSTEM

9_R8959_89_0-A-001

Fig.	Code	QTY	Name
------	------	-----	------

Notes:
 [AGROFARM TTV 430]

1	0.017.7336.3	1	tube
2	2.3275.008.0	1	pipe fitting
3	0.017.7340.3	1	tube
4	0.017.7342.3	1	tube
5	2.1560.010.0	2	gasket 14.2 x 20 x 1.5
6	2.3335.053.2	1	pipe union m 14 p.1.5x30
7	2.3321.012.0	1	collar
8	2.1470.002.2	3	washer 6, d128
9	2.1011.103.2	1	nut m 6 p.1
10	2.0112.013.2	1	screw m 6 p.1 x 35
11	0.017.7358.3	1	bracket
12	2.1310.004.2	2	flat washer 8.5
13	2.1011.505.2	2	nut m 8 p.1 x 8
14	2.3320.108.0	1	terminal
15	2.0112.015.2	1	screw m 6 p.1x40
16	0.017.7359.3	1	bracket
17	2.1475.004.2	1	washer 12
18	2.0112.405.2	1	screw m 12 p.1.75x16
19	2.1549.015.0/10	1	spacer 9x20x14.5
20	0.014.0497.0	1	small plate
21	2.3320.308.0	1	clamp
22	2.0112.020.2	1	screw m 6 p.1 x 55

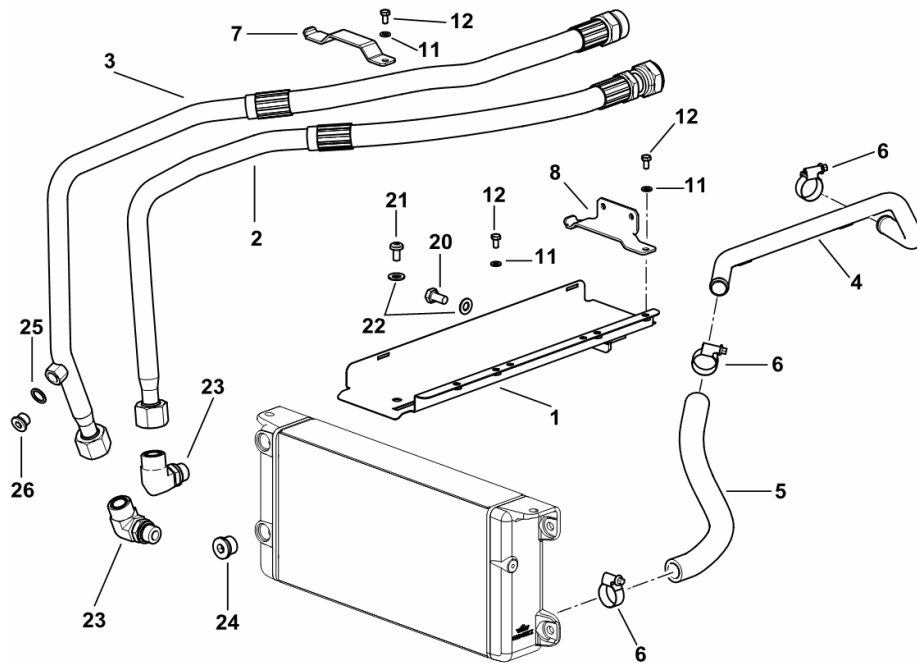


GEARBOX OIL COOLER PIPES

Fig.	Code	QTY	Name
------	------	-----	------

Notes:
[AGROFARM TTV 430]

1	0.014.8103.3/10	1	channel
2	0.015.9350.3	1	tube
3	0.015.9351.3/10	1	tube
4	0.014.8419.2	1	tube
5	0.014.9301.0	1	tube
6	2.6851.003.0	3	clamp Ø 25/40
7	0.015.9674.0	1	bracket
8	0.014.9139.0	1	bracket
11	2.1310.002.2	4	washer 6.6, d125
12	2.0112.003.2	4	screw m 6 p.1 x 12
20	2.0114.307.2	1	screw m 10 x 20, d933
21	2.0330.506.2	1	screw m 8 x 16
22	2.1310.006.2	2	flat washer 10.5
23	2.3273.213.0	2	pipe fitting
24	2.3121.008.2	1	plug
25	2.1560.012.0	1	gasket 16.2 x 22 x 1.5
26	2.3120.010.4	1	plug m 16 p.1.5



9_R8582_05_0-A-001

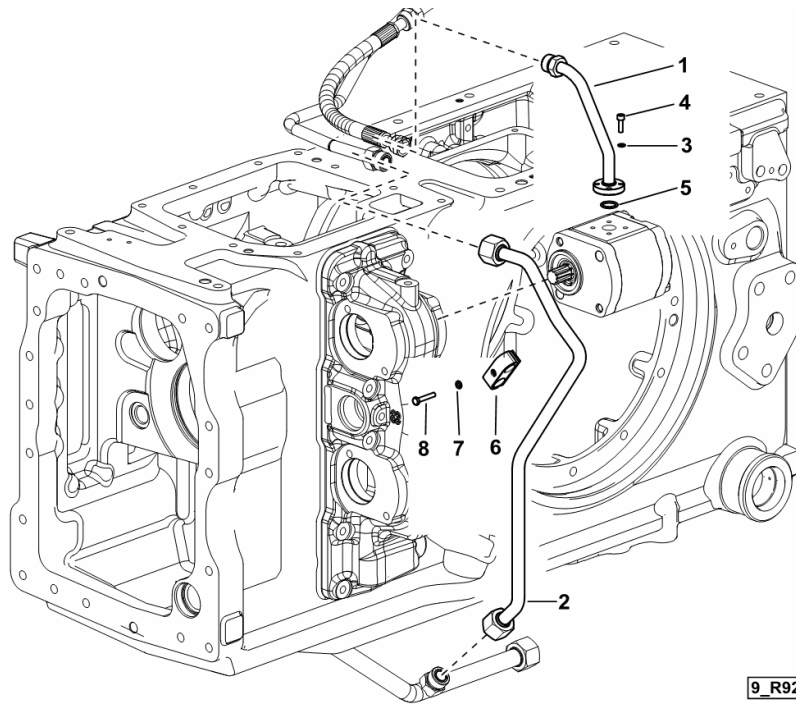
KIT FOR 14 CCM/U PUMP

Fig.	Code	QTY	Name
------	------	-----	------

Notes:

VERSION WITH 3 HYDRAULIC PUMPS [AGROFARM TTV 430]

1	0.017.9034.3	1	tube
2	0.017.9035.3	1	tube
3	2.1480.012.2	4	washer 6, d128
4	2.0312.106.2	4	screw m 6 p.1 x 20
5	2.1531.052.0	1	'o' ring 20.29 x 2.62
6	2.3320.220.0	1	terminal 18/20
7	2.1470.002.2	1	washer 6, d128
8	2.0112.013.2	1	screw m 6 p.1 x 35



9_R9282_66_0-A-001

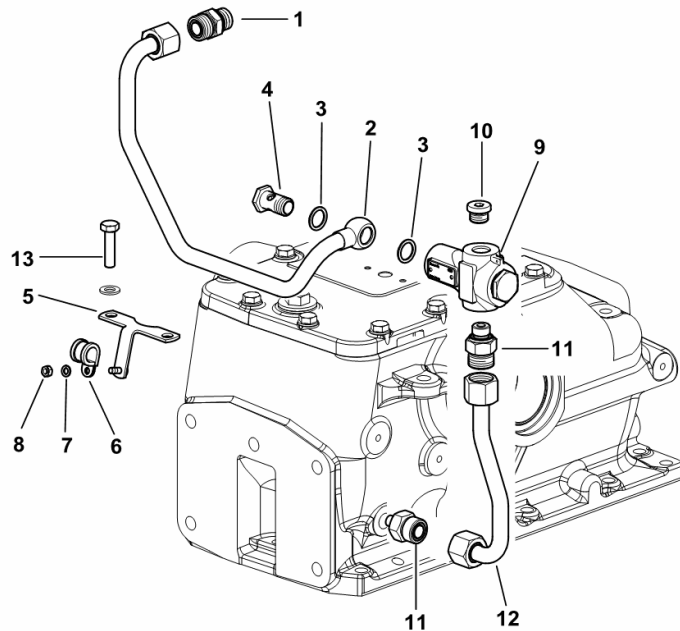
PRESSURE CONTROL VALVE

Fig.	Code	QTY	Name
------	------	-----	------

Notes:

VERSION WITH 2 HYDRAULIC PUMPS [AGROFARM TTV 430] 1002 <-

1	2.3275.015.0	1	pipe fitting
2	0.018.1328.3	1	tube
3	2.1560.014.0	2	gasket 18.2 x 24 x 1.5
4	2.3335.008.2	1	pipe union m 18 p.1.5 x 32
5	0.018.1352.3	1	bracket
6	2.6839.066.0/10	1	clamp 16
7	2.1470.002.2	1	washer 6, d128
8	2.1011.103.2	1	nut m 6 p.1
9	2.3729.420.4	1	valve
10	04454782	1	plug
11	2.3272.011.0	2	pipe fitting m 18 p.1.5
12	0.018.1329.3	1	tube
13	2.0112.315.2	2	screw m 10 p.1.5 x 40



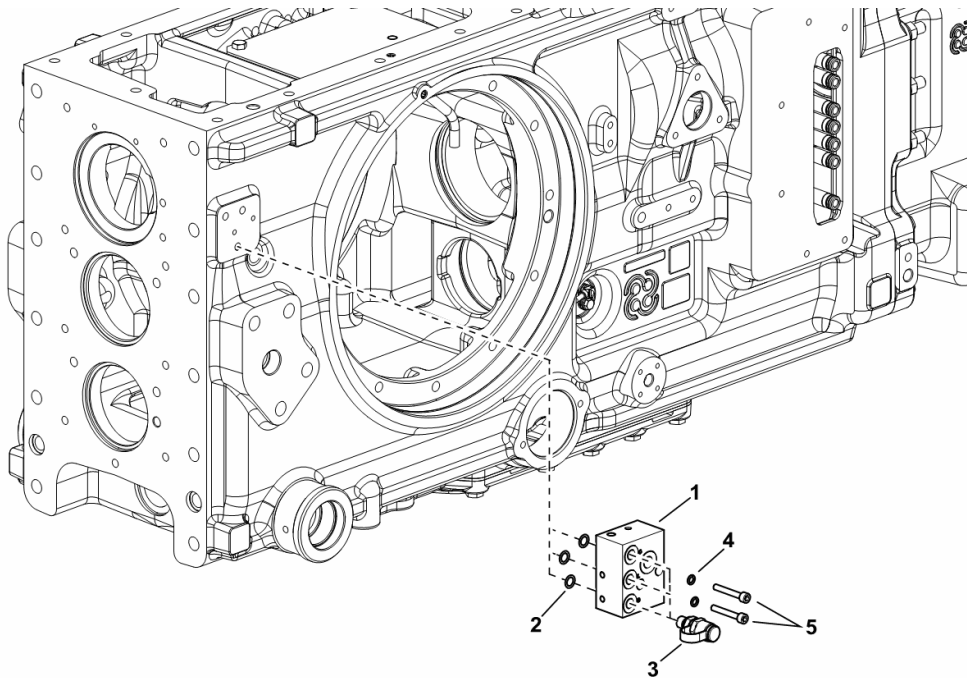
9_R8859_33_0-A-001

REAR PTO LOCK

Fig.	Code	QTY	Name
------	------	-----	------

Notes:
[AGROFARM TTV 430]

1	0.016.7607.3/10	1	small block
2	2.1531.025.0	3	'o' ring 10.82x1.78
3	2.3729.696.0	3	socket
4	2.1480.012.2	2	washer 6, d128
5	2.0312.214.2	2	screw m 8 p.1.25 x 40

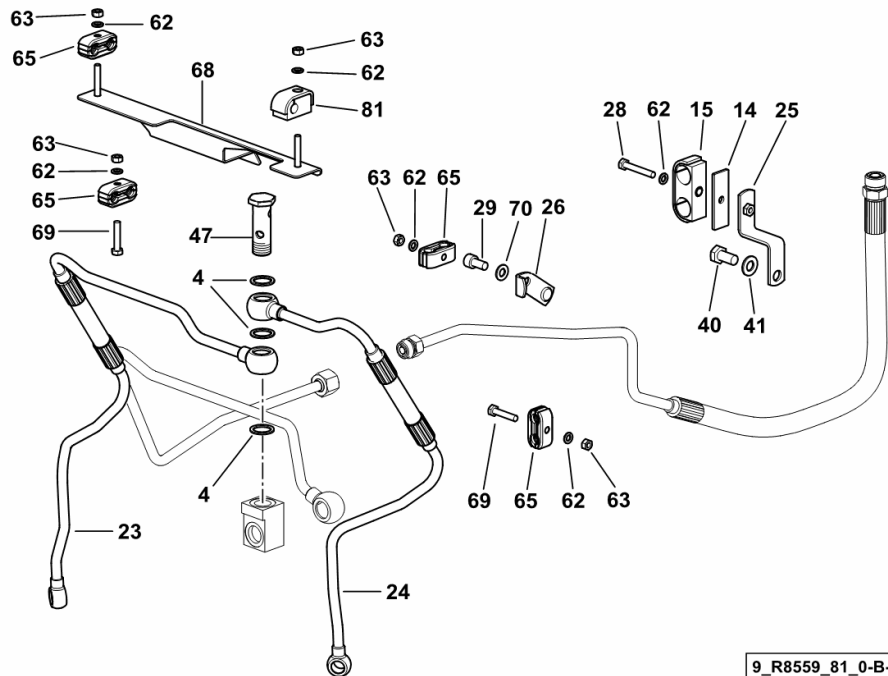


9_R8982_15_0-A-00|

FRONT LIFT - HYDRAULIC SYSTEM

Fig.	Code	QTY	Name
------	------	-----	------

Notes:
[AGROFARM TTV 430]



4	2.1560.014.0	14	gasket 18.2 x 24 x 1.5
14	0.014.0497.0	1	small plate
15	2.3320.321.0	1	terminal
23	0.014.2181.3	1	tube
24	0.014.2180.3	1	tube
25	0.017.8329.3	1	bracket
26	0.017.8330.3	1	bracket
28	2.0112.015.2	1	screw m 6 p.1x40
29	2.0312.204.2	1	screw m 8 p.1.25 x 16
40	2.0112.307.2	1	screw m 10 p.1.5 x 20
41	2.1310.006.2	1	flat washer 10.5
47	2.3339.485.2/10	2	pipe union m 18 p.1.5x55
62	2.1470.002.2	6	washer 6, d128
63	2.1011.103.2	5	nut m 6 p.1
65	2.3321.007.0	4	collar 10/10
68	0.014.8146.3/20	1	bracket
69	2.0112.011.2	2	screw m 6 p.1x30
70	2.1310.004.2	1	flat washer 8.5
81	2.3320.103.0	1	collar typ B

9_R8559_81_0-B-001

AGROFARM TTV 430

Section: H0 - HYDRAULIC AND PNEUMATIC SYSTEM|

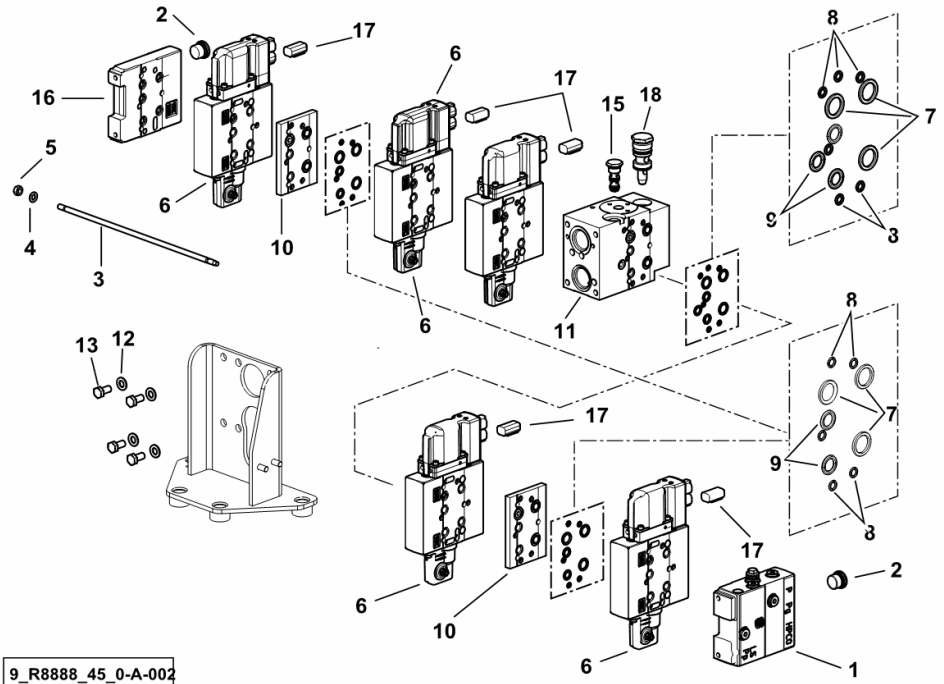
Ref.: H0.07.3 (2)

8-WAY REMOTE CONTROL VALVE + FRONT LIFT

Fig.	Code	QTY	Name
------	------	-----	------

Notes:

VERSION WITH 2 HYDRAULIC PUMPS [AGROFARM TTV 430] -> 1026



9_R8888_45_0-A-002

1	2.3729.006.0/10	1	plate
2	2.3121.008.2	2	plug
3	2.0439.320.2	3	stud bolt m 8x330
4	2.1475.002.2	3	conical washer 8
5	2.1011.105.2	3	nut m 8 p.1.25
6	2.3729.007.0	5	distributor ☞ 2.3729.007.0
7	2.1532.038.0	9	'o' ring
8	2.1531.009.0	16	'o' ring 5.28x1.78
9	2.1532.024.0	7	'o' ring 10.77x2.62
10	0.017.7703.0	2	spacer
11	0.017.7702.3/10	1	body
12	2.1475.003.2	4	washer 10
13	2.0112.307.2	4	screw m 10 p.1.5 x 20
15	2.3729.686.0	1	valve
16	2.3729.008.0/10	1	plate
17	2.6039.515.0	5	plug
18	2.3729.013.0	1	valve

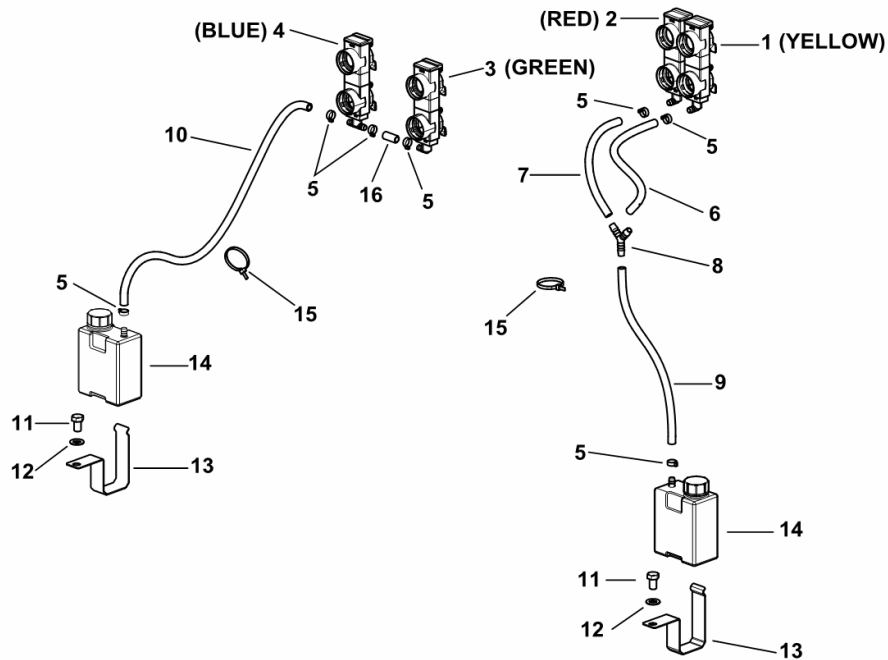
CONNECTOR OIL COLLECTION SYSTEM

Fig.	Code	QTY	Name
------	------	-----	------

Notes:

- FOR 8-WAY DISTRIBUTOR [AGROFARM TTV 430]

1	0.017.8241.0	1	plug
2	0.017.8242.0	1	plug
3	0.017.8243.0	1	plug
4	0.017.8244.0	1	plug
5	2.6857.019.0	6	clamp 14
6	0.012.9660.0/10	0.25	flexible hose
7	0.012.9660.0/10	0.25	flexible hose
8	2.3249.456.0	0.36	pipe fitting Y
9	0.012.9660.0/10	0.37	flexible hose
10	0.012.9660.0/10	0.6	flexible hose
11	2.0112.407.2	2	screw m 12 p.1.75 x 20
12	2.1475.004.2	2	washer 12
13	0.015.3430.0	2	bracket
14	04426824.4	2	tank 600 cm ³
15	2.6852.203.0	10	clamp 292 x 4.8
16	0.012.9660.0/10	0.03	flexible hose



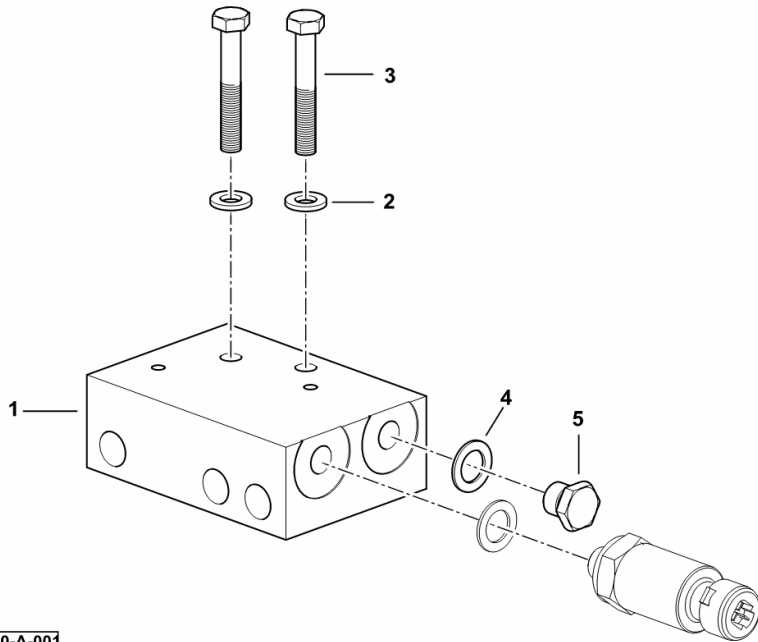
9_R8888_37_0-A-001

BLAKES BLOCK

Fig.	Code	QTY	Name
------	------	-----	------

Notes:
[AGROFARM TTV 430]

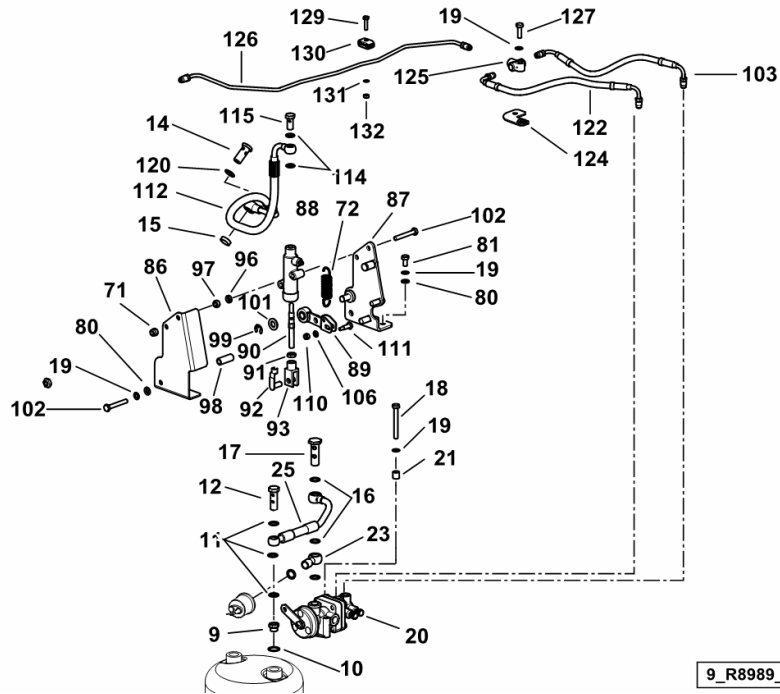
1	0.014.5668.3/10	1	small block
2	2.1310.002.2	2	washer 6.6, d125
3	2.0112.015.2	2	screw m 6 p.1x40
4	2.1560.006.0	2	gasket 10.2 x 16
5	2.3110.401.2	1	plug



9_R8966_05_0-A-001

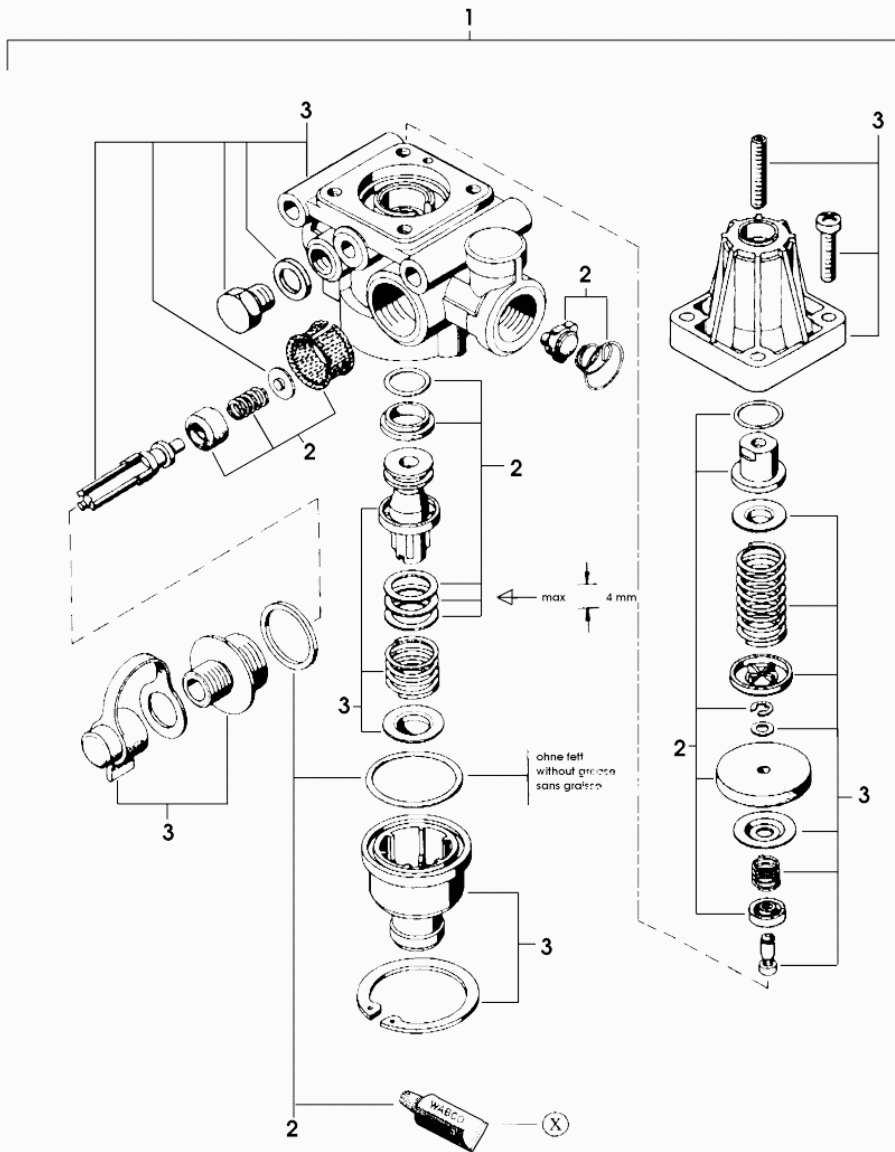
AIR BRAKING FOR 'ITALY' TRAILER

Fig.	Code	QTY	Name
122	0.016.5715.3	1	tube
124	0.016.5658.2	1	bracket
125	03499196	1	pipe fitting T
126	0.018.2105.3	1	tube
127	2.0112.209.2	1	screw m 8 p 1.25 x 25
129	2.0112.009.2	1	screw m 6 p.1 x 25
130	2.3321.002.0	1	terminal Ø 6.35 / 6.35
131	2.1470.002.2	1	washer 6, d128
132	2.1011.103.2	1	nut m 6 p.1



VALVE PARTS

Fig.	Code	QTY	Name
1	04398756	1	valve
2	0.010.2844.1	1	repair seal set
3	0.000.0000.1	0	not serviceable



0439_8756

SOLENOID VALVE

Fig.	Code	QTY	Name
1	2.3729.698.0/10	1	electro valve EVP, 20 bar
2	0.900.1130.7	1	coil

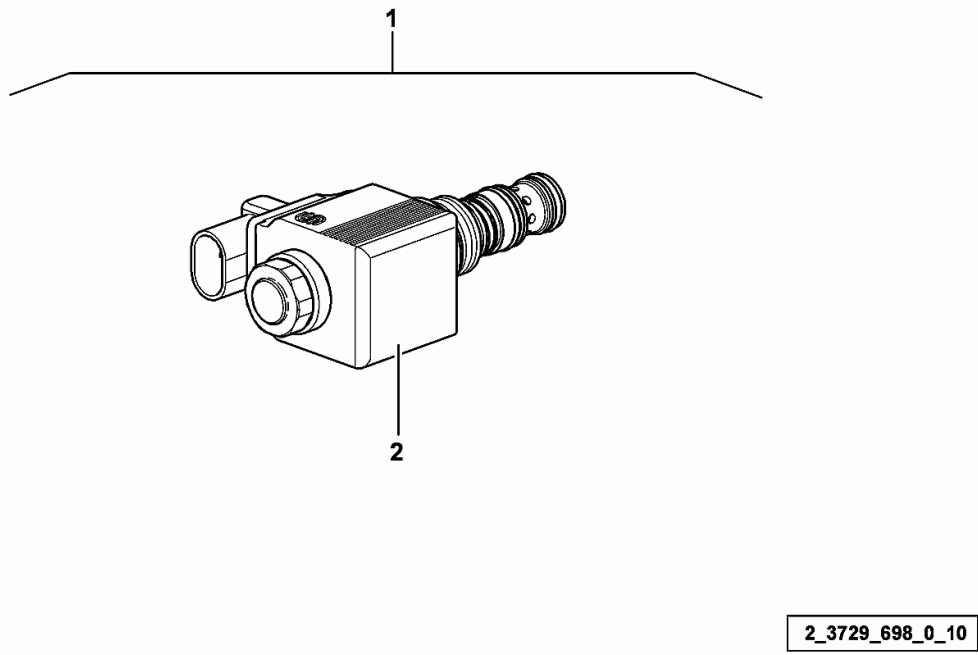
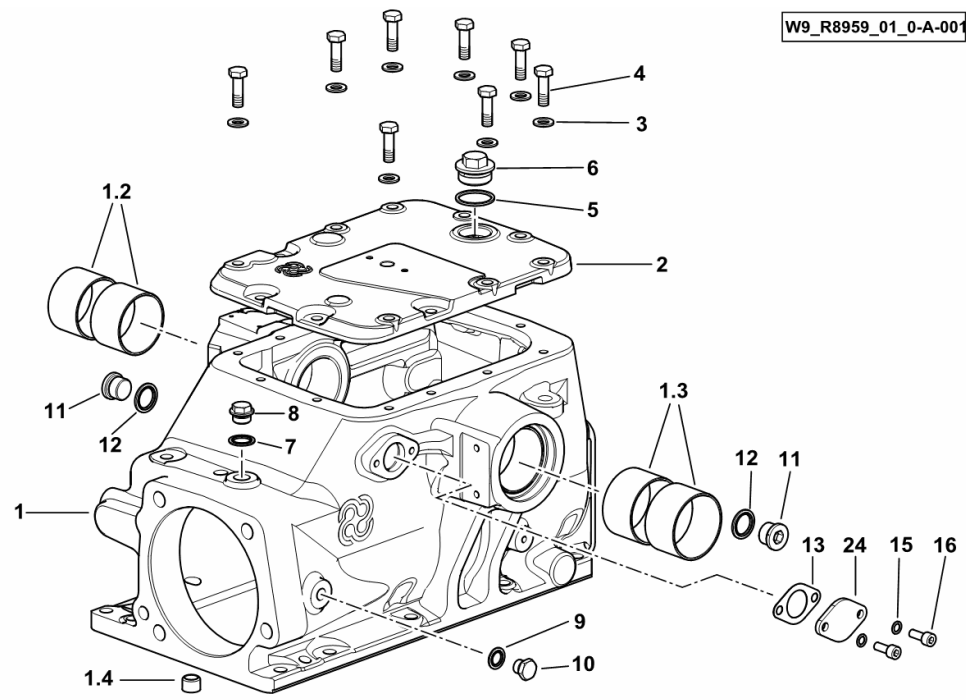


Fig.	Code	QTY	Name
------	------	-----	------

Notes:
 [AGROFARM TTV 430]

1	0.017.5661.3	1	hydraulics housing
1.2	2.1555.621.0	2	bushing 60x65x40
1.3	2.1555.622.0	2	bushing 65x70x40
1.4	2.3131.004.2	1	plug m 18 p.1.5
2	0.014.9724.0	1	cover
3	2.1475.003.2	8	washer 10
4	2.0112.313.2	8	screw m 10 p.1.5 x 35
5	2.1560.056.0	1	gasket 33x39
6	2.3110.516.1	1	plug 1" gas
7	2.1561.010.0	1	'o' ring 18
8	2.3110.405.2	1	plug m 18 p.1.5 x 15
9	2.1561.007.0	1	gasket 14,8x22.2
10	2.3110.403.2	1	plug m 14
11	2.3120.002.4	2	plug m 22 x 1.5
12	2.1561.012.0	2	gasket
13	0.445.6350.0/10	1	gasket
15	2.1480.014.2	2	washer 8
16	2.0312.206.2	2	screw m 8 p 1.25 x 20
24	0.009.3446.0/10	1	flange



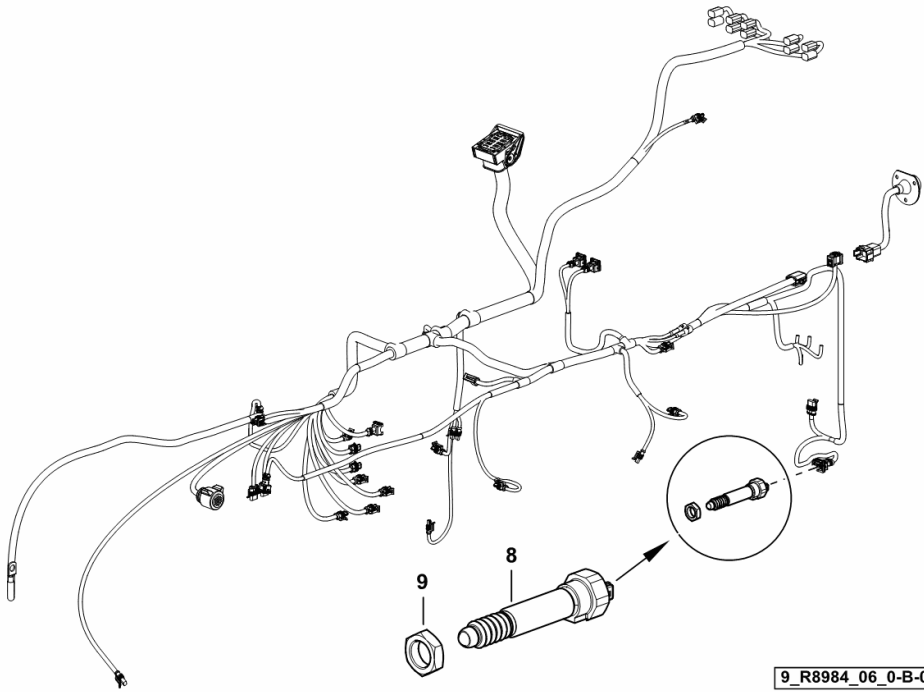
DRAFT SENSOR

Fig.	Code	QTY	Name
------	------	-----	------

Notes:

- EXPORT U.S.A. [AGROFARM TTV 430]

8	0.009.2194.4/20	1	sensor
9	2.1019.106.1	1	nut m 24 p.1.5 x 10



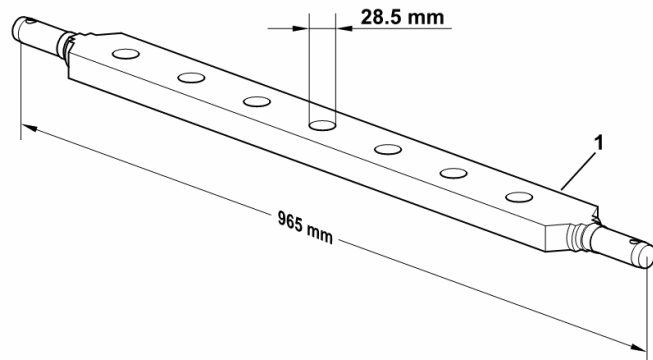
9_R8984_06_0-B-001

TOWING BAR

Fig.	Code	QTY	Name
------	------	-----	------

Notes:
[AGROFARM TTV 430]

1	0.96701.10.0/20	1	draw bar mm 965
---	-----------------	---	-----------------



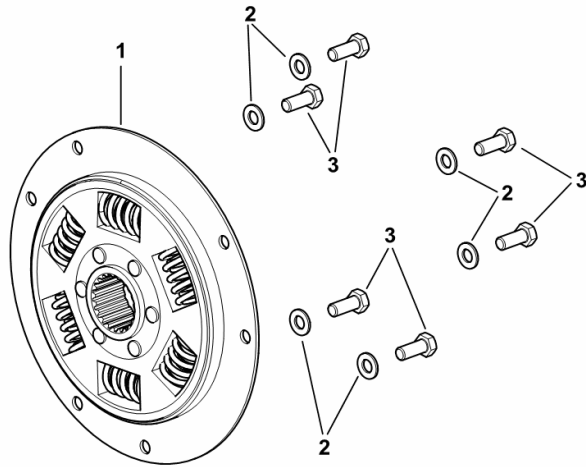
9_40558_10_0-A-001

FLEXIBLE COUPLINGS

Fig.	Code	QTY	Name
------	------	-----	------

Notes:
[AGROFARM TTV 430]

1	0.014.0034.4	1	dumper
2	2.1475.003.7	6	washer 10.5
3	2.0112.309.2	6	screw m 10 p.1.5 x 25



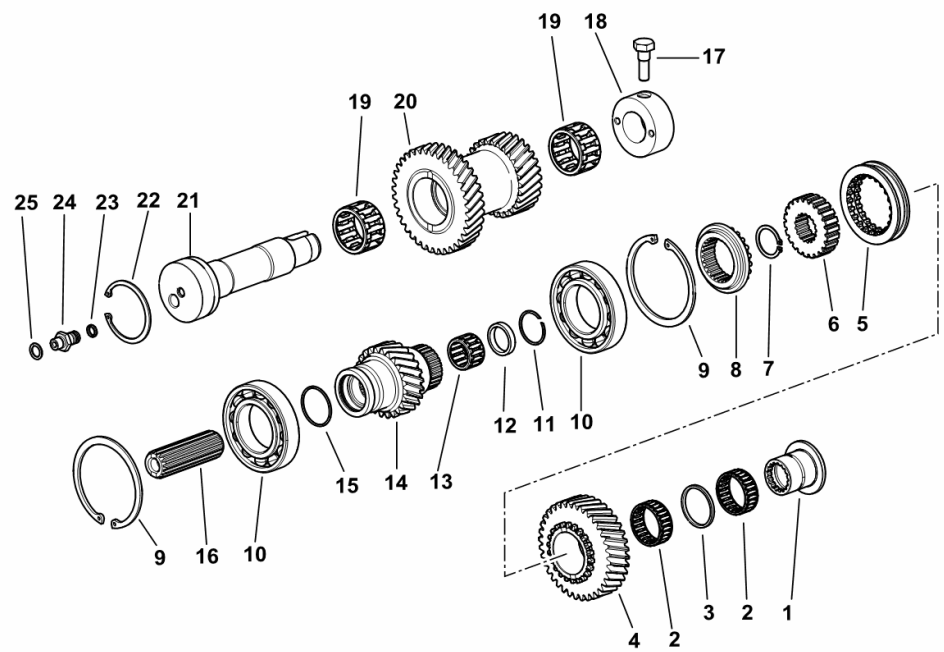
9_J5432_00_0-A-001

RANGE REDUCTION GEAR - HEAVY DUTY

Fig.	Code	QTY	Name
------	------	-----	------

Notes:
[AGROFARM TTV 430]

1	0.016.0156.0	1	bushing
2	2.2770.245.0	2	roller cage
3	2.1549.413.0	1	spacer 47x52.8x4
4	0.016.0155.0	1	gear Z = 36
5	0.014.3116.0/10	1	sleeve
6	0.016.0154.0	1	hub
7	2.1410.014.1	1	circlip 35
8	0.016.0168.0	1	ring
9	2.1411.042.7	2	circlip 110
10	2.2040.016.0	2	ball bearing
11	2.1423.030.7	1	circlip 40
12	2.1549.648.0	1	spacer 32x40x7.5
13	2.2999.452.0	1	roller cage
14	0.016.0165.0/10	1	gear Z = 24 (-> 1001)
15	2.1532.112.0	2	'o' ring 44.2x2.62 (-> 1001)
16	0.016.0181.0/10	1	sleeve (-> 1001)
17	2.0399.333.0/10	1	screw (-> 1001)
18	0.016.0147.0/10	1	bushing (-> 1001)
19	2.2999.504.0	2	roller cage
20	0.016.0145.0	1	gear z = 37 z = 28
21	0.016.0148.0/10	1	pin (-> 1001)
22	2.1411.030.7	1	circlip 75x2.5
23	2.1532.024.0	1	'o' ring 10.77x2.62
24	2.3249.231.2/10	1	pipe fitting m 14 p.1.5 (-> 1001)
25	2.1560.010.0	1	gasket 14.2 x 20 x 1.5

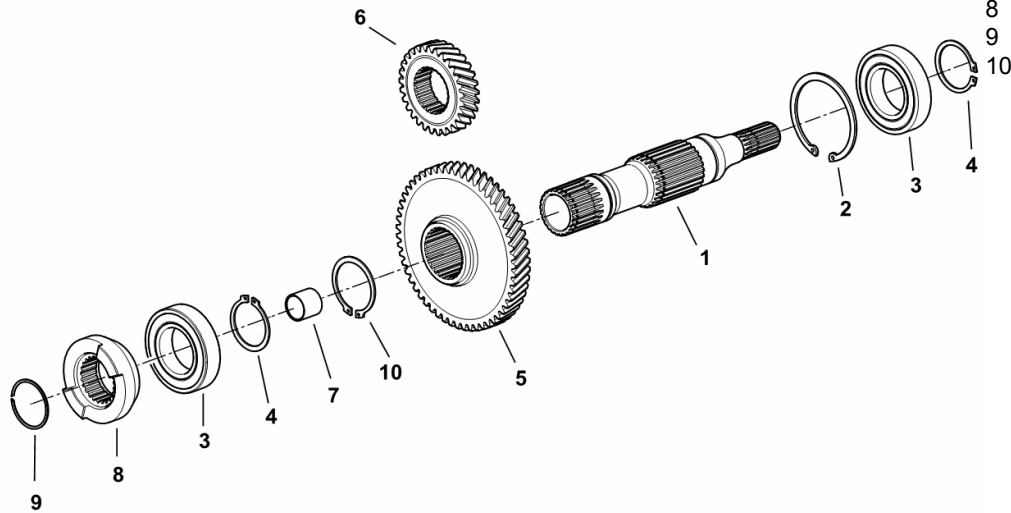


9_J5434_05_0-A-001

4WD - ENGAGEMENT CONTROL

Fig.	Code	QTY	Name
------	------	-----	------

Notes:
[AGROFARM TTV 430]



1	0.016.1155.0/10	1	shaft
2	2.1411.036.1	1	circlip 90
3	2.2041.017.0	2	ball bearing 50 x 90 x 20
4	2.1410.020.1	2	circlip 50
5	0.016.1355.0	1	gear z = 55
6	0.016.0137.0	1	gear z=29
7	2.1555.414.0	1	bushing 25x28x25
8	0.014.9766.0	1	coupling
9	2.1422.034.7	1	circlip 50x1.5
10	2.1410.022.1	1	circlip 55

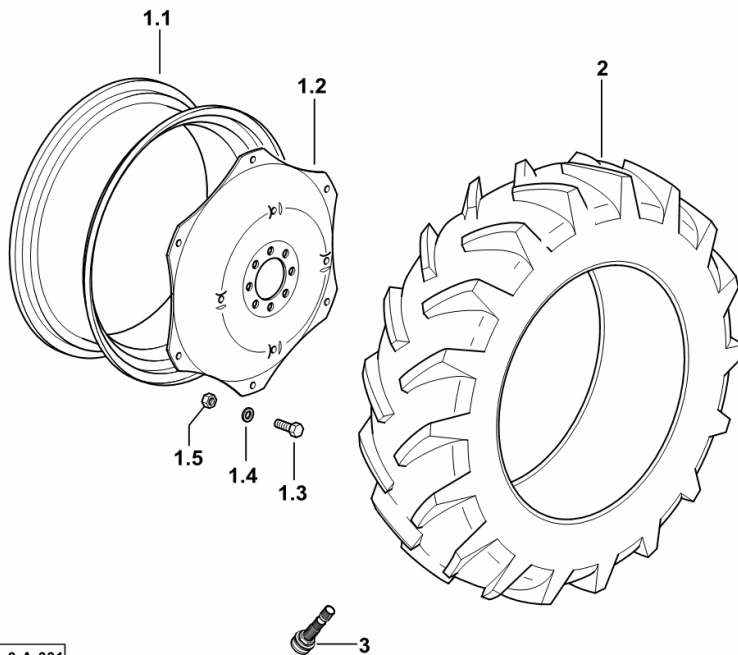
9_J5438_05_0-A-001

WHEELS 380/85R24"(14.9R24")

Fig.	Code	QTY	Name
------	------	-----	------

Notes:
[AGROFARM TTV 430]

1.1	0.012.8987.3	1	rim W 13x24" C/ST.
1.2	0.010.9752.0	1	flange 24"
1.3	2.0099.005.6	6	screw m 16 p.1.5 x 38
1.4	2.1499.019.6	6	washer 16.3 x 31.5
1.5	2.1019.059.6	6	nut m 16 p.1.5 x 16
2	2.4811.072.0	2	tyre 380/85R24"(14.9R24")
3	0.012.6364.0	2	valve



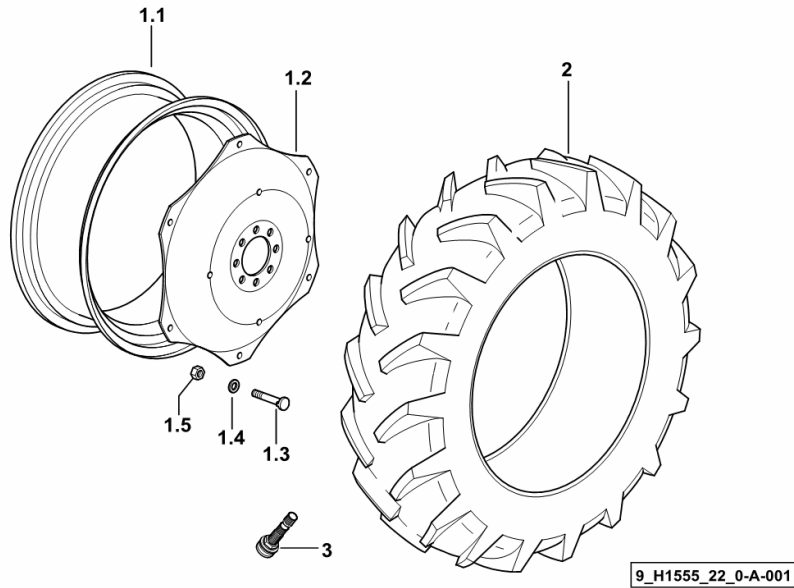
9_77855_25_0-A-001

Section: S0 - WHEELS
WHEELS 440/65R-28" a8

Fig.	Code	QTY	Name
------	------	-----	------

Notes:
 [AGROFARM TTV 430]

1.1	0.012.3040.3	1	rim W 14Lx28" C/ST
1.2	0.255.5559.0/20	1	rim center flange 28"
1.3	2.0399.204.6/10	6	screw m 18 p.1.5x80
1.4	2.1499.018.6	6	conical washer 18 x 35.5
1.5	2.1019.060.6	6	nut m 18 p.1.5
2	2.4811.157.0	2	tyre 440/65R28"
3	0.012.6364.0	2	valve



CLICK HERE TO **DOWNLOAD** THE COMPLETE MANUAL

- Thank you very much for reading the preview of the manual.
- You can download the complete manual from: www.heydownloads.com by clicking the link below



- Please note: If there is no response to CLICKING the link, please download this PDF first and then click on it.

CLICK HERE TO **DOWNLOAD** THE COMPLETE MANUAL