

Agrofarm 420 Profiline -> 25001

V0 - BALLAST, TOWING HITCHES

FRONT HITCHES

FRONT TOWING HITCH.....	V0.01.0 (1)
FRONT TOWING HITCH.....	V0.01.1 (1)

REAR HITCHES

REAR GEARBOX BRACKETS.....	V0.02.0 (1)
REAR TOWING HITCH BRACKET.....	V0.02.1 (1)
REAR TOWING HITCH PITON FIX.....	V0.02.2 (1)
FRAME HOOK HOLDER.....	V0.02.3 (1)
REAR TOWING HITCH.....	V0.02.4 (1)
REAR TOWING HITCH CAT. " C ".....	V0.02.5 (1)
REAR TOWING HITCH CAT. " C ".....	V0.02.6 (1)
REAR TOWING HITCH cat. 2 - CEE.....	V0.02.7 (1)
REAR TOWING HITCH CAT. " D2 ".....	V0.02.8 (1)
REAR TOWING HITCH CAT. " D2 ".....	V0.02.9 (1)
REAR TOWING HITCH CAT: "D3".....	V0.02.10 (1)
REAR TOWING HITCH CEE.....	V0.02.11 (2)
REAR TOWING HITCH CEE.....	V0.02.11 (3)
DRAWBAR COUPLING AUTOM. Ø 38.....	V0.02.12 (1)
DRAWBAR COUPLING AUTOM. Ø 38.....	V0.02.13 (1)
DRAWBAR COUPLING CEE.....	V0.02.14 (1)
MECHANICAL PICK-UP-HITCH.....	V0.02.15 (1)
HYDRAULIC PICK-UP-HITCH.....	V0.02.16 (1)
REAR SWINGING TOWING-HITCH.....	V0.02.18 (1)
REAR SWINGING TOWING-HITCH.....	V0.02.19 (1)
REAR SWINGING TOWING-HITCH.....	V0.02.19 (2)
REAR SWINGING TOWING-HITCH.....	V0.02.20 (1)
REAR SWINGING TOWING-HITCH.....	V0.02.21 (1)
DRAWBAR COUPLING.....	0.014.4453.3/10.A
DRAWBAR COUPLING.....	0.014.4453.3/20.A
CHASSIS.....	0.014.4463.4/20.A
SLIDE mm 320.....	0.014.4485.3.A
MECHANICAL PICK-UP-HITCH.....	0.016.2332.4.A
HYDRAULIC PICK-UP-HITCH.....	0.016.2334.4.A
DRAWBAR COUPLING AUTOM. Ø 38.....	0.017.9619.3.A

FRONT BALLAST WEIGHTS

FRONT WEIGHT CARRIER.....	V0.03.0 (1)
FRONT WEIGHT CARRIER.....	V0.03.1 (1)
FRONT BALLAST 320 Kg.....	V0.03.2 (1)
BALLAST 264 Kg.....	V0.03.3 (1)
FRONT BALLAST 400 Kg.....	V0.03.4 (1)
BALLAST LOCK BAR mm 30x780.....	V0.03.5 (1)

CLICK HERE TO **DOWNLOAD** THE COMPLETE MANUAL

- Thank you very much for reading the preview of the manual.
- You can download the complete manual from: www.heydownloads.com by clicking the link below



- Please note: If there is no response to CLICKING the link, please download this PDF first and then click on it.

CLICK HERE TO **DOWNLOAD** THE COMPLETE MANUAL

Agrofarm 420 Profiline -> 25001

Section: V0 - BALLAST, TOWING HITCHES

Ref.: V0.02.6 (1)

REAR TOWING HITCH CAT. " C "

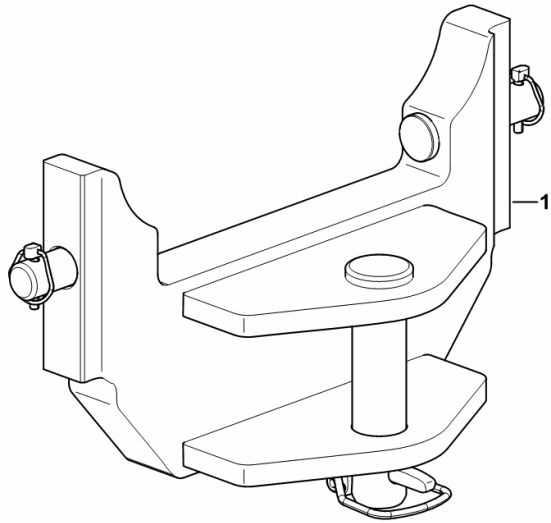
Fig.	Code	QTY	Name
------	------	-----	------

Notes:

[Agrofarm 420 Profiline -> 25001]

1	0.016.7723.3	1	tow hook - CBM -
---	--------------	---	------------------

9_R0231_70_0-A-001



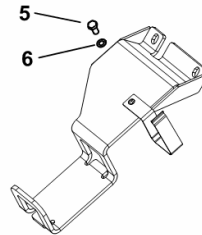
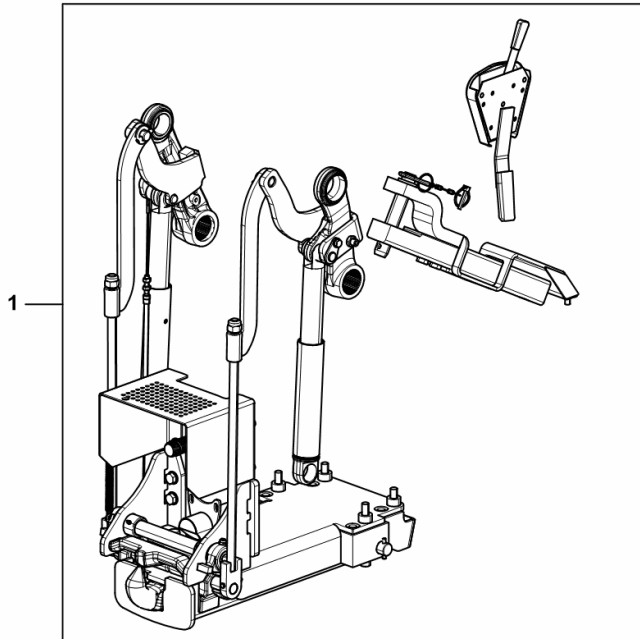
MECHANICAL PICK-UP-HITCH

Fig.	Code	QTY	Name
------	------	-----	------

Notes:

[Agrofarm 420 Profiline -> 25001]

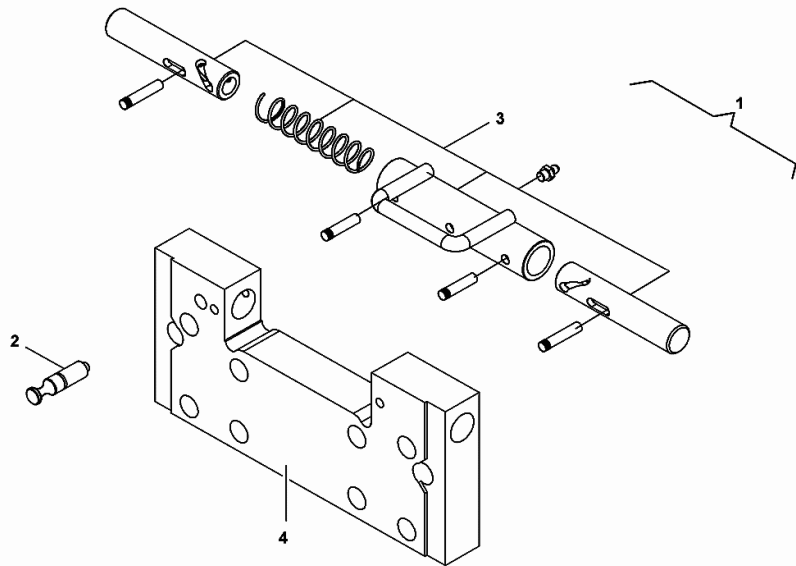
1	0.016.2332.4/20	1	tow hook (-> 25029)
5	2.0112.307.2	1	screw m 10 p.1.5 x 20
6	2.1470.006.2	1	lock washer 10



9_L7231_60_0-A-001

SLIDE mm 320

Fig.	Code	QTY	Name
1	0.014.4485.3	1	plate - V.ORLANDI -
2	0.900.0457.1	1	smau pin
3	0.900.0458.5	1	interlock kit
4	0.000.0000.1	0	not serviceable



0_014_4485_3

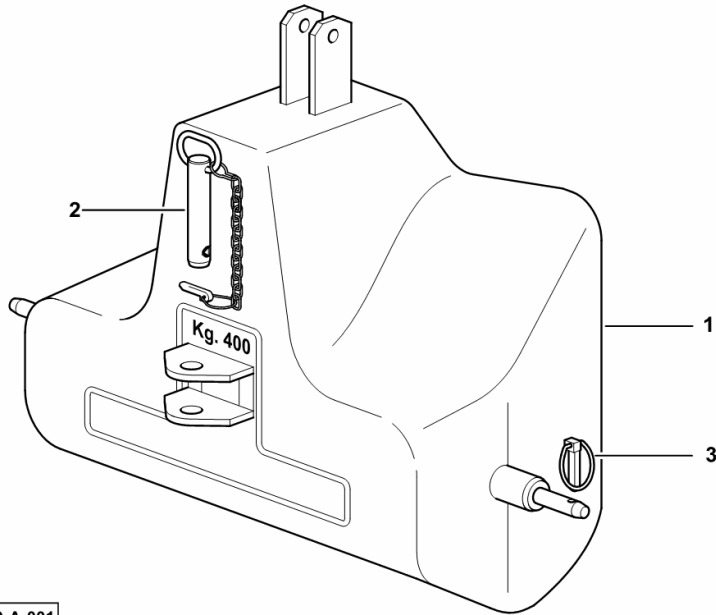
FRONT BALLAST 400 Kg

Fig.	Code	QTY	Name
------	------	-----	------

Notes:

[Agrofarm 420 Profiline -> 25001]

1	0.011.2172.3/10	1	ballast
2	0.96309.51.3	1	pin Ø 32
3	0.010.9322.4	2	pin Ø 11



9_77852_60_0-A-001

HOOD

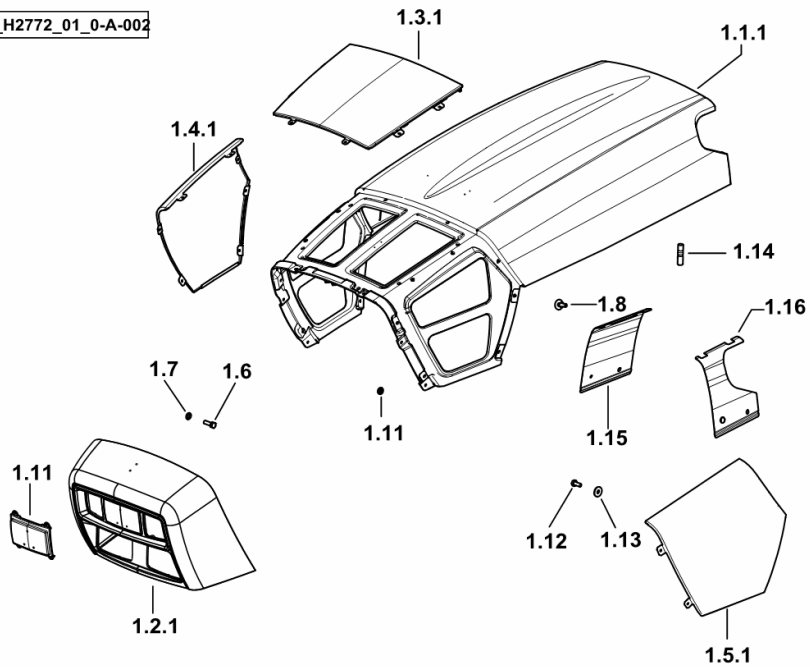
Fig.	Code	QTY	Name
------	------	-----	------

Notes:

[Agrofarm 420 Profiline -> 25001]

1.1.1	0.014.8468.2/10	1	bonnet
1.2.1	0.014.8539.2/20	1	grille/grid
1.3.1	0.014.8537.0/10	1	grille
1.4.1	0.014.8475.0/10	1	grille dx/rh/re
1.5.1	0.014.8471.0/10	1	grille sx/lh/li
1.6	2.0114.105.2	6	screw m 5 x 16
1.7	2.1310.001.2	6	flat washer 5.3
1.8	2.1899.074.0	22	rivet 4.7
1.11	0.015.1840.0	1	grille
1.12	2.1310.028.2	4	flat washer 4
1.13	2.0350.454.6	4	screw m 4.2 x 13 -AB-
1.14	2.0422.203.2	4	stud bolt m 8 x 20
1.15	0.015.3883.3/10	1	brace dx/rh/re
1.16	0.015.3884.3/10	1	brace sx/lh/li

9_H2772_01_0-A-002



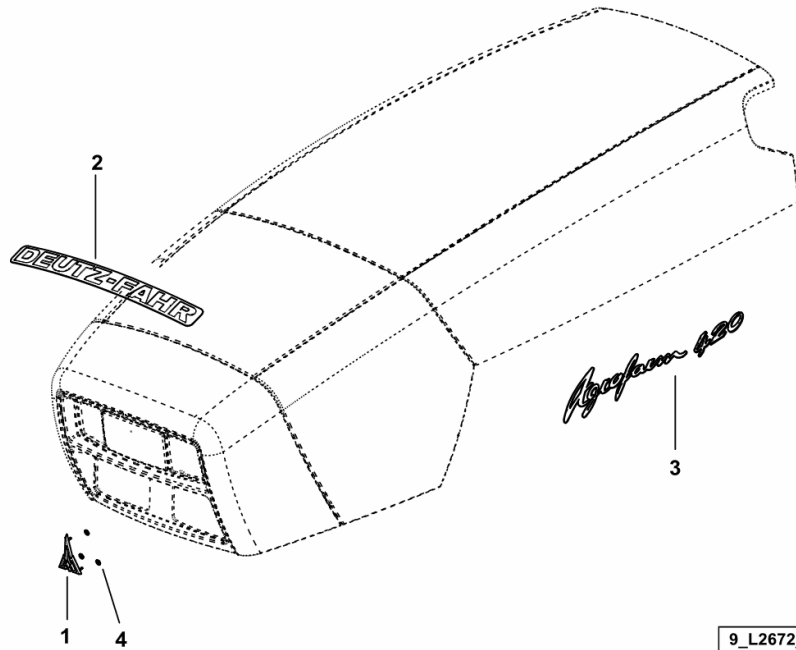
MODEL PLATE

Fig.	Code	QTY	Name
------	------	-----	------

Notes:

[Agrofarm 420 Profiline -> 25001]

1	0.013.9984.0/10	1	graphical symbol DEUTZ-FAHR
2	0.014.9384.2	1	plate DEUTZ-FAHR
3	0.016.0231.3	2	plate
4	2.6999.076.0	3	washer



9_L2672_05_0-A-001

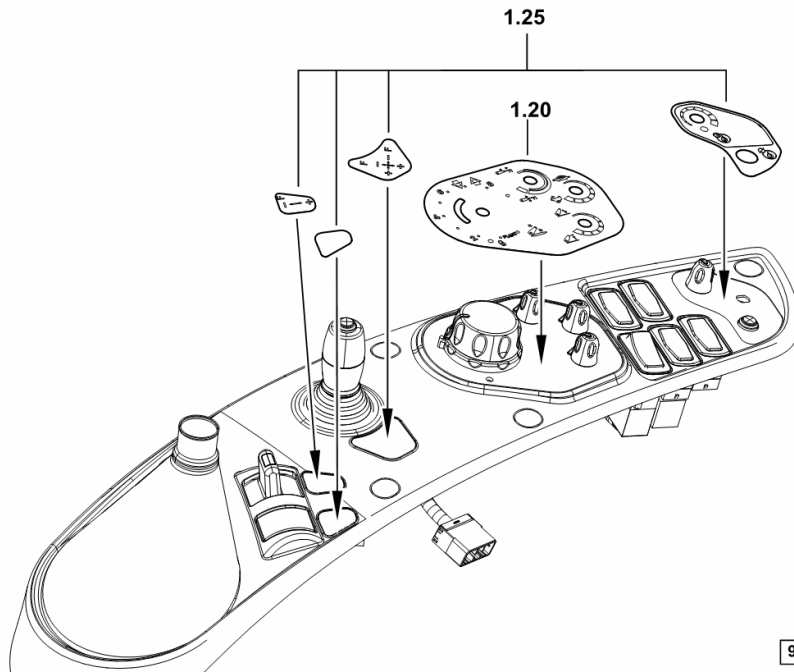
PLATES

Fig.	Code	QTY	Name
------	------	-----	------

Notes:

- FOR TYPES WITH 6-WAY AUXILIARY CONTROL VALVE [Agrofarm 420 Profiline -> 25001]

1.20	0.017.6151.4/10	1	plate
1.25	0.017.8212.4	1	plate



9_R8571_24_0-F-001

SPEED DATA PLATES

Fig.	Code	QTY	Name
------	------	-----	------

Notes:

[Agrofarm 420 Profiline -> 25001]

100.1	2.9939.393.0	1	plate
100.2	2.9939.394.0	1	plate

100.1

ENGINE	1400				1800				2087				2300				RPM
	L	U	S	M	L	U	S	M	L	U	S	M	L	U	S	M	
1	0.26	0.31	0.38	0.34	0.40	0.39	0.47	0.56	0.43	0.51	0.62						
2	0.36	0.44	0.51	0.44	0.54	0.56	0.65	0.81	0.58	0.68	0.84						
3	0.47	0.58	0.69	0.60	0.72	0.77	0.92	1.14	0.81	0.97	1.21						
4	0.67	0.83	0.97	0.86	1.03	1.04	1.18	1.44	1.10	1.31	1.63						
5	0.89	1.09	1.29	1.16	1.35	1.36	1.51	1.88	1.48	1.77	2.14						
6	1.09	1.33	1.56	1.41	1.60	1.61	1.78	2.16	1.64	1.92	2.31						
7	1.30	1.43	1.73	1.54	1.64	2.23	1.79	2.14	2.08	1.97	3.36	2.85					
8	1.60	1.91	2.30	2.05	2.48	2.36	2.84	3.44	2.62	3.12	3.70						
9	1.97	2.22	3.08	2.82	3.40	3.22	3.88	4.69	3.73	4.46	5.26						
10	2.35	3.06	4.43	3.94	4.71	4.60	5.57	6.48	5.00	6.02	7.27						
11	3.01	3.38	5.28	4.48	5.36	5.87	6.43	8.18	6.16	7.36	8.87						
12	3.69	4.15	6.40	5.36	6.40	6.91	7.58	9.49	7.00	8.50	10.20						
13	4.41	5.07	7.68	6.31	7.54	8.11	8.73	10.74	8.06	9.64	11.64						
14	5.62	7.04	9.96	8.51	10.17	10.72	11.36	13.78	10.47	12.07	14.08						
15	7.23	8.95	12.38	10.37	12.05	12.55	13.24	16.12	12.24	14.12	16.64						
16	9.26	11.24	15.14	13.01	14.81	15.27	16.00	19.27	14.14	16.34							
17	10.36	12.28	16.82	14.19	15.77	16.05	16.28	20.09	16.06	18.14	20.35						
18	12.41	17.47	21.18	18.79	20.48	21.13	21.76	26.26	21.46	23.08	26.87						
19	16.70	22.58	28.46	25.93	28.29	28.69	29.97	36.51	28.00	30.97	36.00						
P. T. O.	362		466		640		695										
	457		586		681		751										
	622		800		928		1022										
	785		1010		1171		1290										

100.2

ENGINE	1400				1800				2087				2300				RPM
	L	U	S	M	L	U	S	M	L	U	S	M	L	U	S	M	
1	0.16	0.19	0.24	0.21	0.25	0.26	0.30	0.24	0.29	0.35	0.27	0.32	0.39				
2	0.22	0.28	0.35	0.30	0.36	0.36	0.41	0.31	0.38	0.47	0.36	0.43	0.52				
3	0.29	0.36	0.42	0.37	0.45	0.44	0.49	0.43	0.52	0.63	0.48	0.57	0.68				
4	0.42	0.50	0.59	0.53	0.64	0.77	0.62	0.74	0.89	0.68	0.81	0.99					
5	0.56	0.67	0.81	0.72	0.86	1.04	0.83	1.00	1.21	0.92	1.10	1.33					
6	0.85	0.98	1.21	1.08	1.30	1.53	1.26	1.50	1.81	1.39	1.69	2.01					
7	1.09	1.28	1.58	1.45	1.73	2.04	1.71	2.08	2.50	1.81	2.21	2.62					
8	1.30	1.43	1.73	1.54	1.64	2.23	1.79	2.14	2.08	1.97	3.36	2.85					
9	1.60	1.91	2.30	2.05	2.48	2.36	2.84	3.44	2.62	3.12	3.70						
10	1.97	2.22	3.08	2.82	3.40	3.22	3.88	4.69	3.73	4.46	5.26						
11	2.35	3.06	4.43	3.94	4.71	4.60	5.57	6.48	5.00	6.02	7.27						
12	3.01	3.38	5.28	4.48	5.36	5.87	6.43	8.18	6.16	7.36	8.87						
13	3.69	4.15	6.40	5.36	6.40	6.91	7.58	9.49	7.00	8.50	10.20						
14	4.41	5.07	7.68	6.31	7.54	8.11	8.73	10.74	8.06	9.64	11.64						
15	5.62	7.04	9.96	8.51	10.17	10.72	11.36	13.78	10.47	12.07	14.08						
16	7.23	8.95	12.38	10.37	12.05	12.55	13.24	16.12	12.24	14.12	16.64						
17	9.26	11.24	15.14	13.01	14.81	15.27	16.00	19.27	14.14	16.34							
18	10.36	12.28	16.82	14.19	15.77	16.05	16.28	20.09	16.06	18.14	20.35						
19	12.41	17.47	21.18	18.79	20.48	21.13	21.76	26.26	21.46	23.08	26.87						
20	16.70	22.58	28.46	25.93	28.29	28.69	29.97	36.51	28.00	30.97	36.00						
P. T. O.	362		466		640		695										
	457		586		681		751										
	622		800		928		1022										
	785		1010		1171		1290										

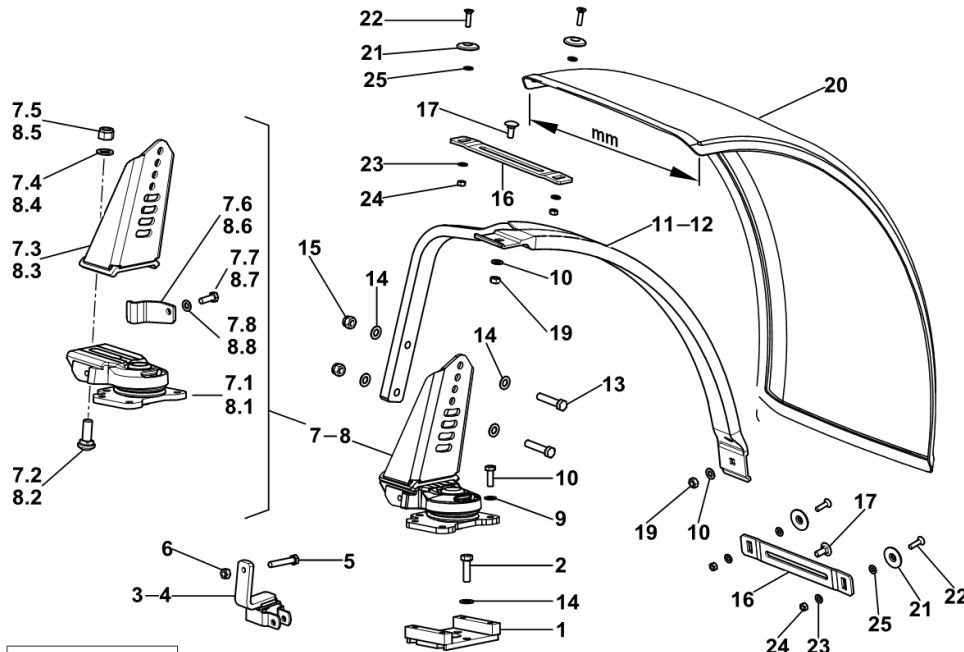
9_R8574_00_0-B-001

4WD - FRONT MUDGUARDS mm 470

Fig.	Code	QTY	Name
------	------	-----	------

Notes:

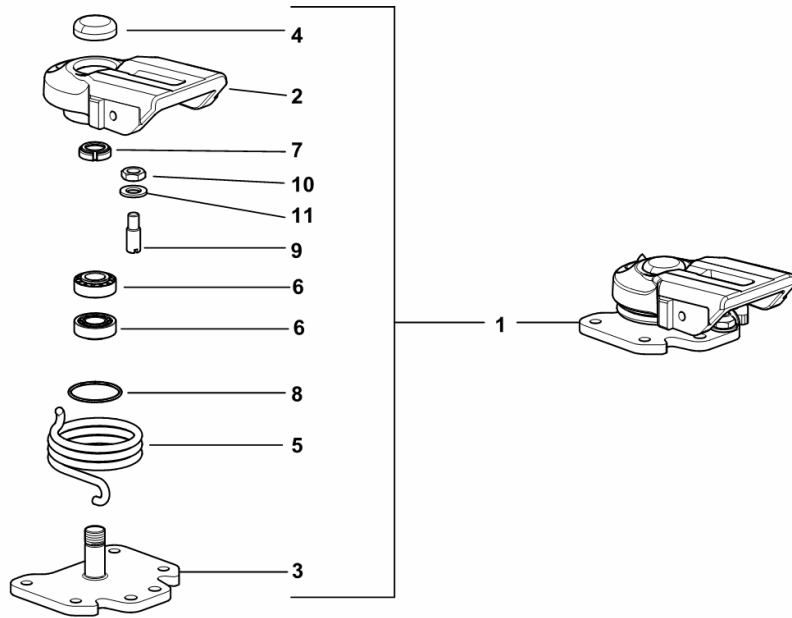
[Agrofarm 420 Profiline -> 25001]



1	0.011.3341.2/10	2	plate dx/rh/re
2	2.0112.415.2	6	screw m 12 p.1.75 x 40
3	0.011.1428.3/30	1	bracket sx/lh/li
4	0.011.1416.3/30	1	bracket dx/rh/re
5	2.0114.321.2	2	screw m 10 p.1.5x70
6	2.1011.006.2	2	nut m 10 p.1.5
7	0.015.4232.4/10	1	support sx/lh/li
7.1	0.015.4232.3	1	support sx/lh/li ☞ 0.015.4232.3
7.2	2.0029.511.2	1	screw m 16 p.1.5x45
7.3	0.015.3183.2/10	1	support sx/lh/li
7.4	2.1310.010.2	1	flat washer 16
7.5	2.1120.209.2	1	nut m 16 p.1.5
7.6	0.015.3234.0	1	plate
7.7	2.0122.361.2	1	screw m 10 p 1.25 x 30
7.8	2.1310.006.2	1	flat washer 10.5
8	0.015.4233.4/10	1	support dx/rh/re
8.1	0.015.4233.3	1	support dx/rh/re ☞ 0.015.4233.3
8.2	2.0029.511.2	1	screw m 16 p.1.5x45
8.3	0.015.3235.2/10	1	support
8.4	2.1310.010.2	1	flat washer 16
8.5	2.1120.209.2	1	nut m 16 p.1.5
8.6	0.015.3238.0	1	plate dx/rh/re
8.7	2.0122.361.2	1	screw m 10 p 1.25 x 30
8.8	2.1310.006.2	1	flat washer 10.5
9	2.0112.311.2	8	screw m 10 p.1.5 x 30
10	2.1475.003.2	12	washer 10
11	0.015.3226.2/10	1	chassis frame
12	0.015.3237.2/10	1	chassis frame
13	2.0112.420.2	4	screw m 12 p.1.75x55
14	2.1475.004.2	14	washer 12
15	2.1120.007.2	4	nut m 12 p.1.75
16	0.014.7124.0	4	plate
17	2.0020.306.2	4	screw m 10 x 25
19	2.1011.106.2	4	nut m 10 p.1.5
20	0.010.1729.0	2	fender mm 470
21	2.1399.020.0/10	8	washer
22	2.0349.002.3	8	screw m 8 p.1.25 x 30
23	2.1475.002.2	8	conical washer 8
24	2.1011.105.2	8	nut m 8 p.1.25

WING HOLDER sx/lh/li

Fig.	Code	QTY	Name
1	0.015.4232.3	1	support sx/lh/li
2	0.000.0000.1	1	not serviceable
3	0.000.0000.1	1	not serviceable
4	0.900.1404.1	1	small cover
5	0.900.1404.9	1	spring
6	0.900.1404.3	2	bearing
7	0.900.1404.4	1	ring nut
8	0.900.1404.5	1	gasket
9	0.900.1404.6	1	grain
10	0.900.1404.7	1	nut
11	0.900.1404.8	1	washer



0.015.4232.3

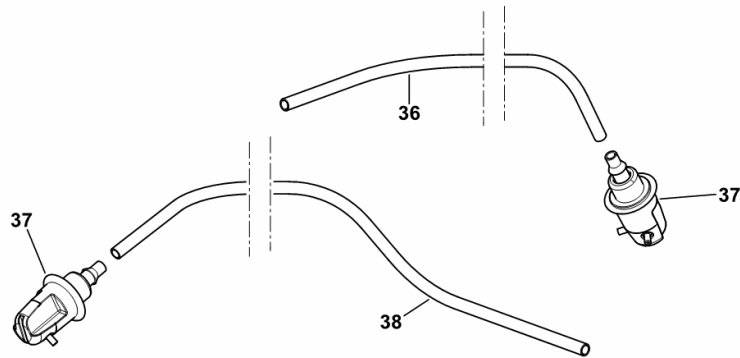
SPRAYERS

Fig.	Code	QTY	Name
------	------	-----	------

Notes:

[Agrofarm 420 Profiline -> 25001]

36	0.011.3963.0	1.02	tube
37	0.013.9974.4	2	cooling nozze
38	0.011.3963.0	2	tube



9_J1571_21_0-F-001

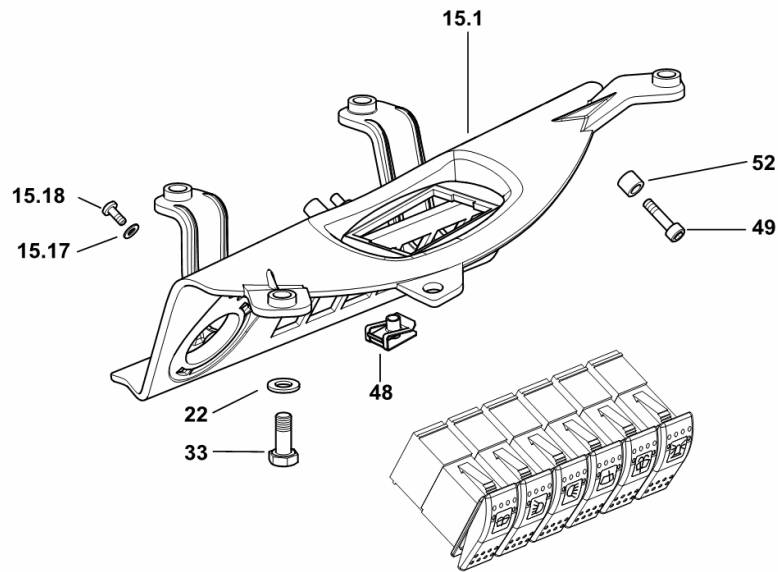
BRACKET

Fig.	Code	QTY	Name
------	------	-----	------

Notes:

- FOR TRACTORS WITH AIR HEATING [Agrofarm 420 Profiline -> 25001]

15.1	0.015.1810.0/30	1	bracket
15.17	2.1310.028.2	3	flat washer 4
15.18	2.0332.203.2	3	screw m 4 x 10
22	2.1310.004.2	7	flat washer 8.5
33	2.0112.207.2	4	screw m 8 p 1.25 x 20
48	2.6999.064.6	1	special nut m 6
49	2.0312.006.2	2	screw m 5 p.0.8 x 20
52	2.1549.651.2	2	spacer



9_J1586_10_0-E-001

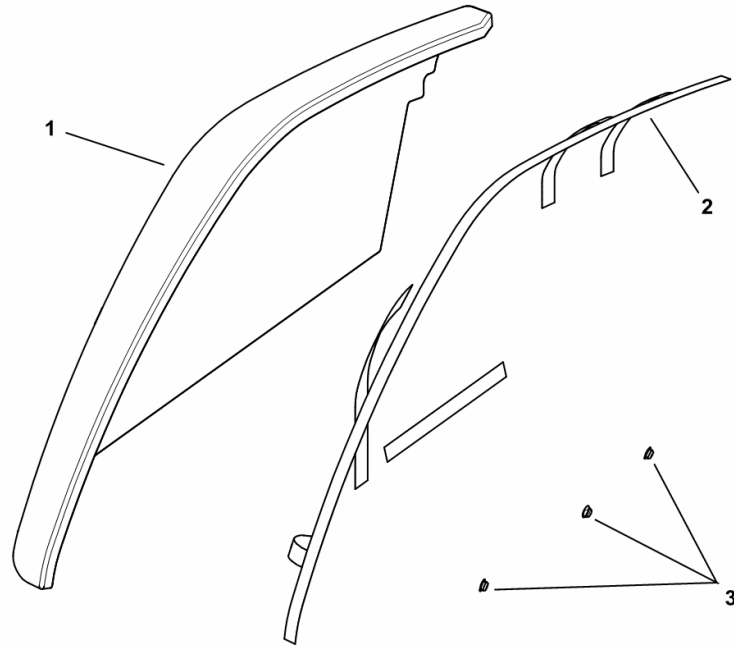
FENDER COATINGS

Fig.	Code	QTY	Name
------	------	-----	------

Notes:

- IN TYPES WITH PASSENGER SEAT [Agrofarm 420 Profiline -> 25001]

1	0.018.0241.0	1	covering
2	0.010.1198.0	1	adhesive mm 4500
3	0.178.7455.0	3	plug Ø 12



9_R8571_29_0-A-001

DRIVER'S SEAT - PNEUMATIC SPRINGING MSG 93/721

Fig.	Code	QTY	Name
------	------	-----	------

Notes:

[Agrofarm 420 Profiline -> 25001]

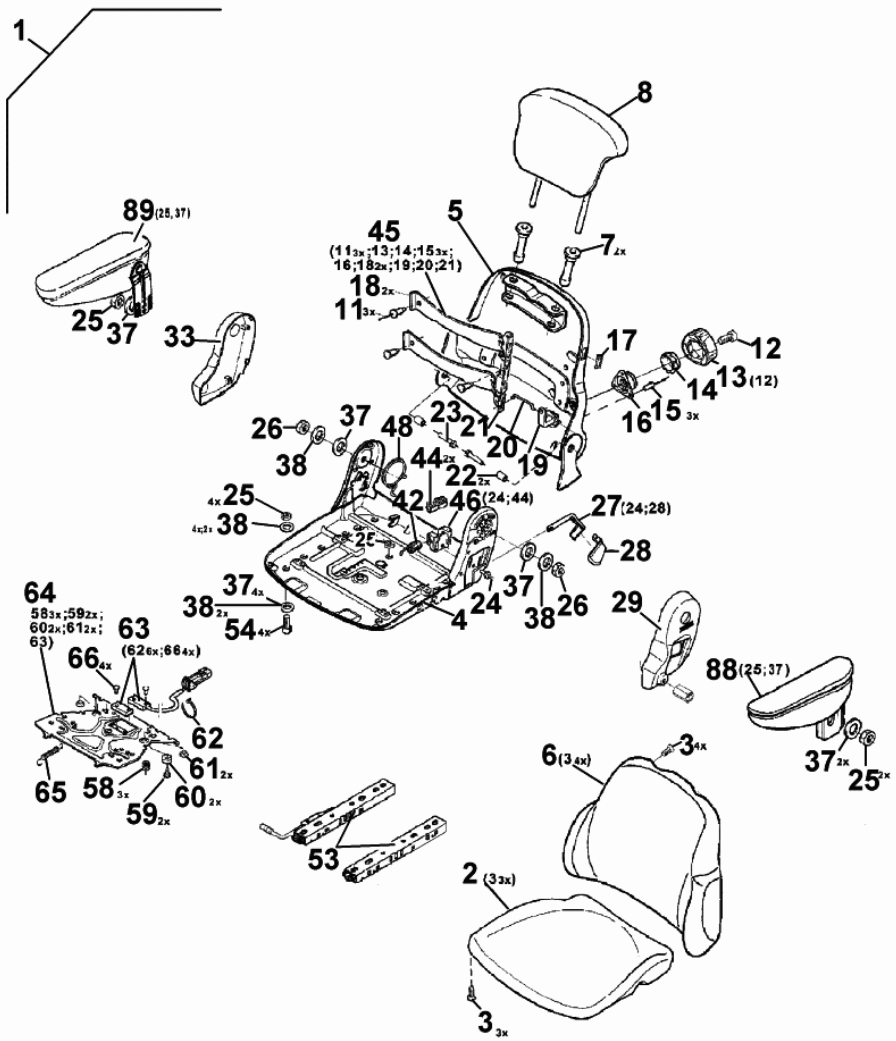
1	0.014.3062.4/20	1	sprung seat MSG 93/721 (25044 <-) - IN FABRIC ☞ 0.014.3062.4/20 ☞ 0.014.3062.4/20
1	0.014.3062.4/30	1	sprung seat MSG 93/721 (-> 25042) - IN FABRIC



9_F0275_02_0-A-001

SEAT-COMPONENTS

Fig.	Code	QTY	Name
65	04350966	1	spring
66	0.010.3474.0	2	rivet
88	0.900.0298.6	1	small arm sx/lh/li
89	0.900.0298.7	1	small arm dx/rh/re



0_014_3062_4_20_A

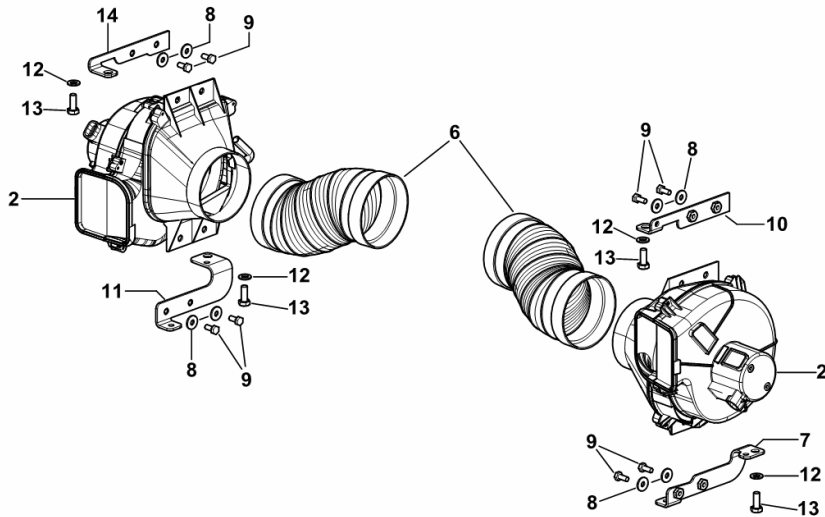
VENTILATION - AIR CONDITIONING - HEATING

Fig.	Code	QTY	Name
------	------	-----	------

Notes:

[Agrofarm 420 Profiline -> 25001] 25068 <-

2	0.011.2047.4	2	rotor blade
6	0.011.4526.3	2	tube
7	0.015.1866.3	1	bracket sx/lh/li
8	2.1312.003.2	8	washer 6
9	2.0112.004.2	8	screw m 6 p.1 x 14
10	0.015.1865.3	1	bracket sx/lh/li
11	0.015.1867.3	1	bracket dx/rh/re
12	2.1310.004.2	23	flat washer 8.5
13	2.0112.207.2	17	screw m 8 p 1.25 x 20
14	0.015.1868.3	1	bracket dx/rh/re



9_J1571_21_0-C-001

Agrofarm 420 Profiline -> 25001

Section: G0 - BODYWORK - CAB

Ref.: G0.09.14 (1)

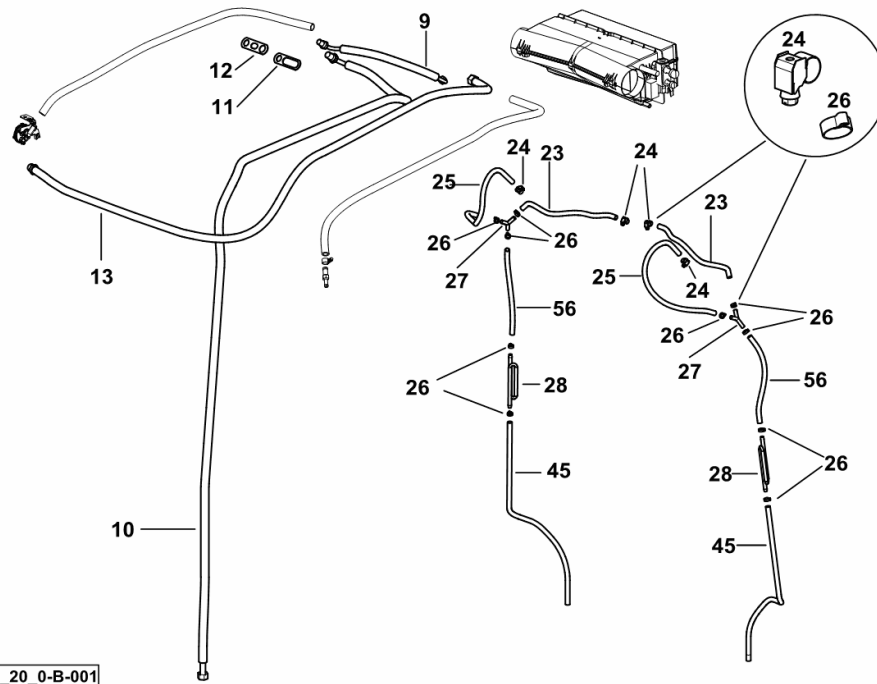
AIR CONDITIONING UNIT - LINES - WITH MANUAL AIR CONDITIONING

Fig.	Code	QTY	Name
------	------	-----	------

Notes:

- FOR TYPES WITH HEATING AND AIR CONDITIONING [Agrofarm 420 Profiline -> 25001] 25141 <-

9	0.011.2061.3/10	1	tube mm 430
10	0.017.6008.3	1	tube mm 2710
11	0.011.2145.0	1	gasket
12	0.011.2139.0/10	1	small plate
13	0.011.3723.3	1	tube mm 2160
23	0.016.4241.0	2	tube Ø mm10x14x380
24	2.6851.019.0	4	clamp Ø 13/20
25	0.011.3697.0	2	tube Ø mm10x14x500
26	2.6857.019.0	10	clamp 14
27	0.011.6181.0	2	pipe fitting
28	0.011.3724.3	2	tube
45	0.015.6840.0	2	tube Ø mm10x14x700
56	0.017.6126.0	2	tube Ø mm10x14x305



9_R8586_20_0-B-001

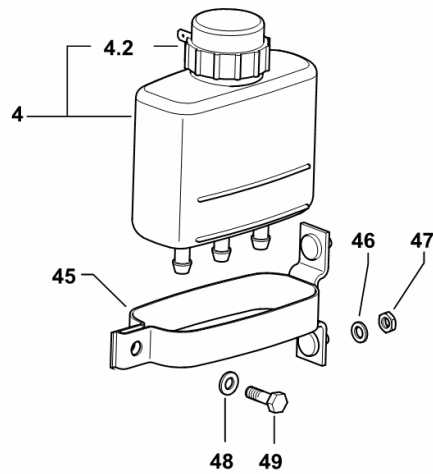
BRAKE FLUID RESERVOIR

Fig.	Code	QTY	Name
------	------	-----	------

Notes:

[Agrofarm 420 Profiline -> 25001]

4	0.009.1780.4/10	1	tank
4.2	0.257.6654.3/10	1	plug
45	0.257.6662.2	1	clamp
46	2.1470.002.2	2	washer 6, d128
47	2.1011.203.2	2	nut m 6 p.1
48	2.1310.002.2	1	washer 6.6, d125
49	2.0112.007.2	1	screw m 6 p.1 x 20



9_J1565_01_0-B-001

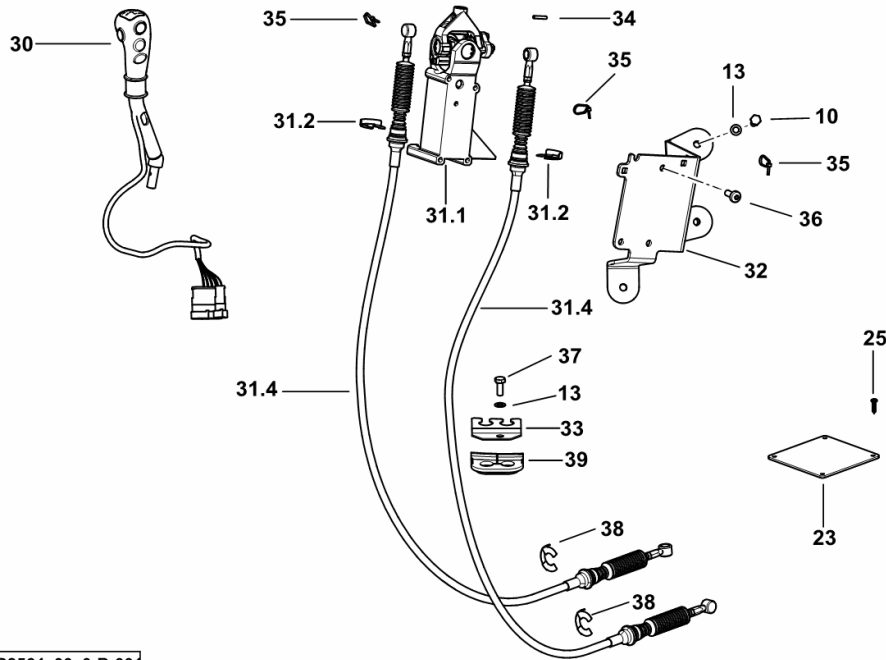
GEARSHIFT LEVER

Fig.	Code	QTY	Name
------	------	-----	------

Notes:

[Agrofarm 420 Profiline -> 25001]

10	2.0112.211.2	4	screw m 8 p.1.25 x 30
13	2.1470.004.2	7	washer 8
23	0.014.8815.0/10	2	plug
25	2.0350.456.3	8	screw m 4.2 x 19 -AB-
30	0.017.4078.4/10	1	lever
31.1	0.017.6338.4	1	support
31.2	04418159	2	circlip
31.4	0.017.4566.3/10	2	rod
32	0.017.4382.2	1	bracket
33	0.017.6247.0	1	bracket
34	2.1630.450.2	1	pin 4x22
35	2.6852.001.0	4	clamp 99 x 2.5
36	2.0330.507.2	4	screw m 8 p.1.25 x 20
37	2.0112.207.2	1	screw m 8 p 1.25 x 20
38	04418159	2	circlip
39	0.017.6637.0	1	rubber plug



9_R8564_00_0-B-001

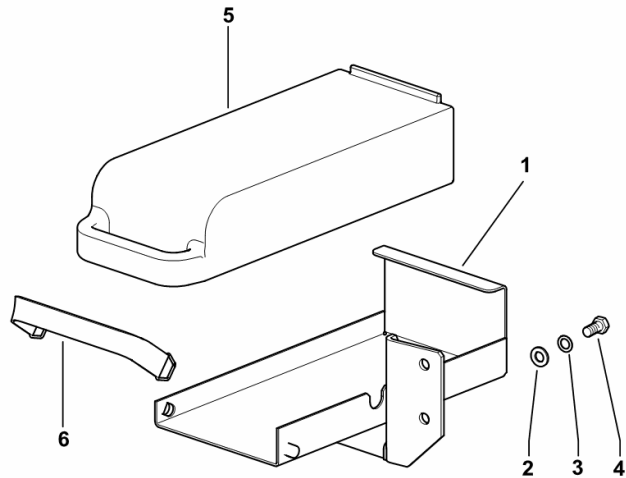
METAL TOOLBOX

Fig.	Code	QTY	Name
------	------	-----	------

Notes:

- FOR MODELS WITHOUT FRONT LIFT [Agrofarm 420 Profiline -> 25001]

1	0.014.8292.2/10	1	support
2	2.1310.007.2	2	flat washer 13.5
3	2.1470.007.2	2	lock washer 12
4	2.0112.409.2	2	screw m 12 p.1.75 x 25
5	04422635.4	1	metal toolbox
6	0.011.0073.2/10	1	rod



9_H1573_03_0-A-001

LOW FRONT WORKLIGHTS SWITCH.....	L0.07.9 (1)
WORKLIGHTS SWITCH.....	L0.07.10 (1)
FRONT LIFT SWITCH.....	L0.07.11 (1)
CAB TOP SWITCHES.....	L0.07.12 (1)
BATTERY DISCONNECT SWITCH.....	L0.07.13 (1)
BATTERY DISCONNECT SWITCH.....	L0.07.14 (1)

LIGHTING AND SIGNALLING

HEADLIGHTS \ HORN.....	L0.08.2 (1)
HEADLIGHTS \ HORN.....	L0.08.3 (1)
WORKING SPOTLIGHT FRONT BOTTOM.....	L0.08.4 (1)
TOP LIGHT GROUP FOR DRIVING ON RIGHT - WORK LIGHTS.....	L0.08.5 (1)
TOP SPOTLIGHT LEFT TRAFFIC - WORKING SPOTLIGHT.....	L0.08.6 (1)
FRONT/REAR LIGHTS.....	L0.08.7 (1)
FRONT/REAR LIGHTS.....	L0.08.8 (1)
FRONT/REAR WORKLIGHTSAND INTERIOR ROOF LIGHT.....	L0.08.9 (1)
WARNING BEACON.....	L0.08.10 (1)
LICENCE PLATE LIGHT.....	L0.08.11 (1)
COURTESY LIGHT.....	L0.08.12 (1)
COURTESY LIGHT.....	L0.08.13 (1)
COURTESY LIGHT.....	L0.08.14 (1)
RETROREFLECTOR.....	L0.08.15 (1)
WARNING BEACON.....	0.013.0868.4.A
HEADLAMP COMPONENTS.....	04411920.4.A
HEADLAMP COMPONENTS.....	04411921.4.A
HEADLAMP COMPONENTS.....	2.8039.160.0.A
HEADLAMP COMPONENTS.....	2.8039.180.0/10.A
FRONT LIGHTS.....	2.8039.240.0.A
FRONT LIGHTS.....	2.8039.250.0.A
HEADLAMP COMPONENTS.....	2.8039.299.0.A
HEADLAMP COMPONENTS.....	2.8059.080.0.A
HEADLAMP COMPONENTS.....	2.8059.090.0.A
HEADLAMP COMPONENTS.....	2.8059.440.0/10.A
HEADLAMP COMPONENTS.....	2.8059.450.0.A
LICENCE PLATE LIGHT.....	2.8059.526.0.A
WORKING SPOTLIGHT sx/lh/li.....	2.8059.527.0.A
WORKING SPOTLIGHT dx/rh/re.....	2.8059.528.0.A
INTERIOR LIGHT.....	2.8339.032.0.A

ACCESSORIES

LOUDSPEAKERS AND RADIO ANTENNA.....	L0.09.0 (1)
CIGAR LIGHTER.....	L0.09.1 (1)
CIGAR LIGHTER.....	L0.09.2 (1)

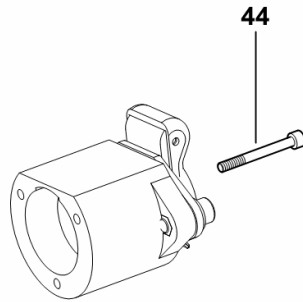
TRAILER SOCKET FIXING

Fig.	Code	QTY	Name
------	------	-----	------

Notes:

- EXPORT U.S.A. [Agrofarm 420 Profiline -> 25001]

44	2.0312.015.2	3	screw m 5 p.0.8x45
----	--------------	---	--------------------



9_H1284_11_0-C-002

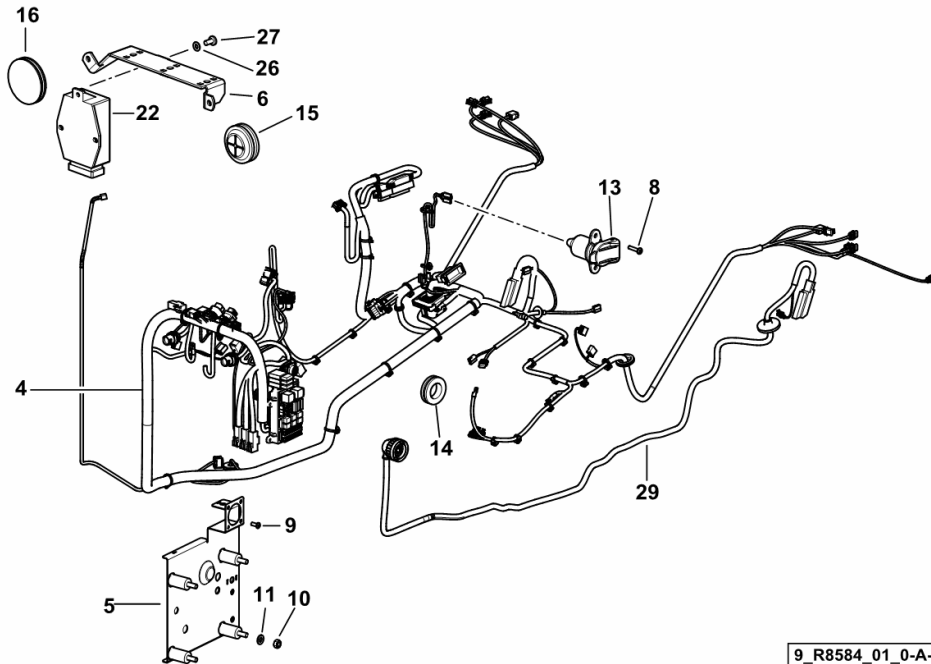
CAB ELECTRICAL SYSTEM

Fig.	Code	QTY	Name
------	------	-----	------

Notes:

- EXPORT U.S.A. [Agrofarm 420 Profiline -> 25001]

4	0.017.8427.4/30	1	electrical system ☞ 0.017.8427.4/30
5	0.016.0678.2/40	1	support
6	0.016.0679.3	1	bracket
8	04424184	2	screw
9	2.0361.406.2	4	screw m 4 x 10
10	2.1011.103.2	4	nut m 6 p.1
11	2.1310.002.2	4	washer 6.6, d125
13	2.6039.020.0	1	socket DIN 9680
14	2.6560.017.0	2	wire guide 22x2.5
15	2.6569.026.0	1	grommet 42.5x52x19
16	2.6569.071.0	1	plug 53x63x9.5
22	2.8639.012.0	1	blinker
26	2.1310.029.2	1	washer
27	2.0332.404.2	1	screw m 6 x 12
29	0.016.8047.4	1	wire



9_R8584_01_0-A-001

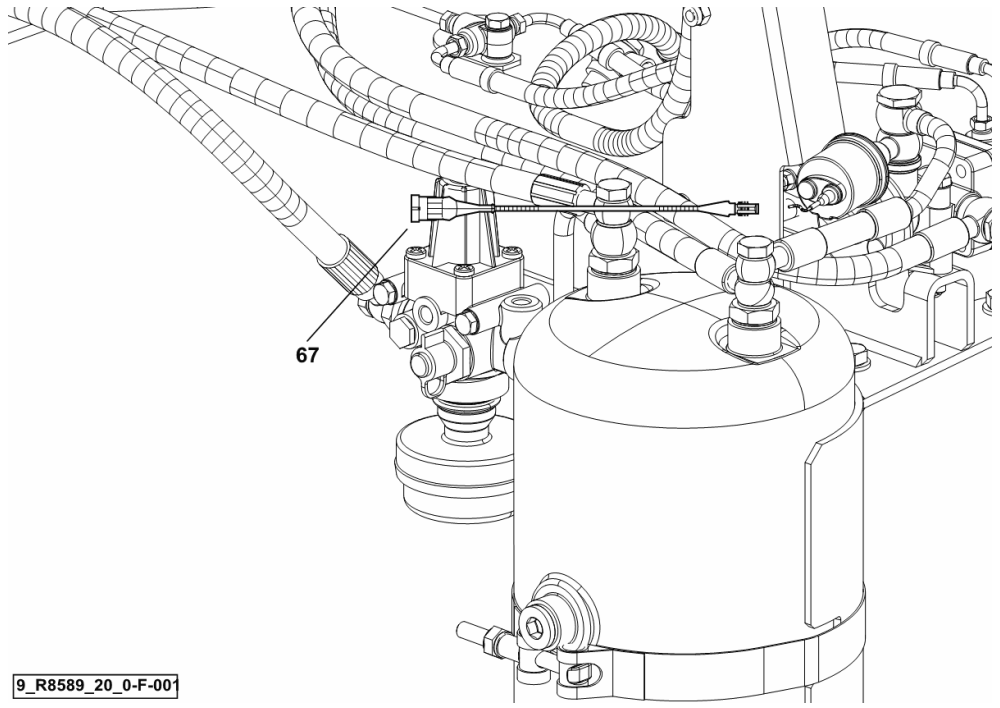
PRESSURE SWITCH WIRING FOR AIR BRAKING SYSTEM ITALY

Fig.	Code	QTY	Name
------	------	-----	------

Notes:

[Agrofarm 420 Profiline -> 25001]

67	0.014.1645.4/10	1	electrical system
----	-----------------	---	-------------------



9_R8589_20_0-F-001

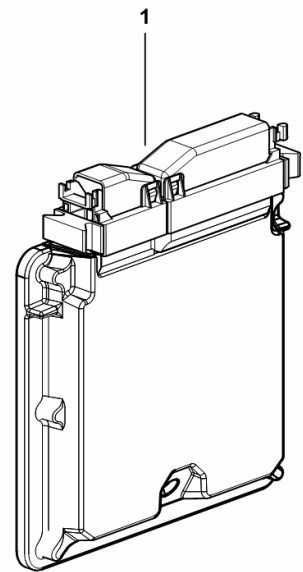
CONTROL UNIT HLHP

Fig.	Code	QTY	Name
------	------	-----	------

Notes:

[Agrofarm 420 Profiline -> 25001] -> 25010

1	2.8519.101.0/20	1	central device HLHP (25099 <-)
1	2.8519.101.0/30	1	central device HLHP (-> 25072)



9_R8884_00_0-A-001

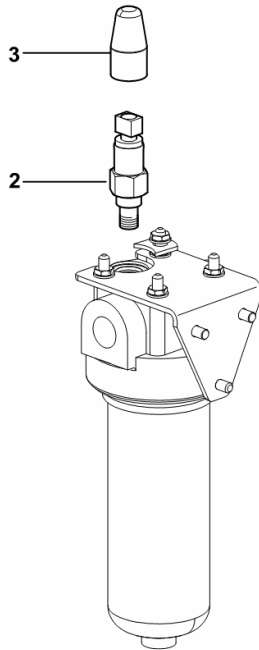
OIL FILTER CLOGGING SENSOR

Fig.	Code	QTY	Name
------	------	-----	------

Notes:

[Agrofarm 420 Profiline -> 25001]

2	2.7099.700.0	1	pressure switch
3	2.6519.029.0	1	cap



9_R8582_10_0-B-001

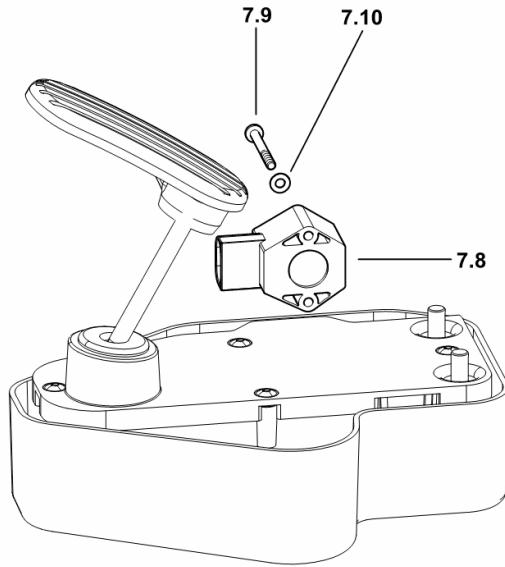
ELECTRONIC ACCELERATOR CONTROL SENSOR

Fig.	Code	QTY	Name
------	------	-----	------

Notes:

[Agrofarm 420 Profiline -> 25001]

7.8	04429390/10	1	sensor
7.9	2.0332.211.3	2	screw m 4 x 40
7.10	2.1310.028.2	2	flat washer 4



9_R8567_00_0-C-001

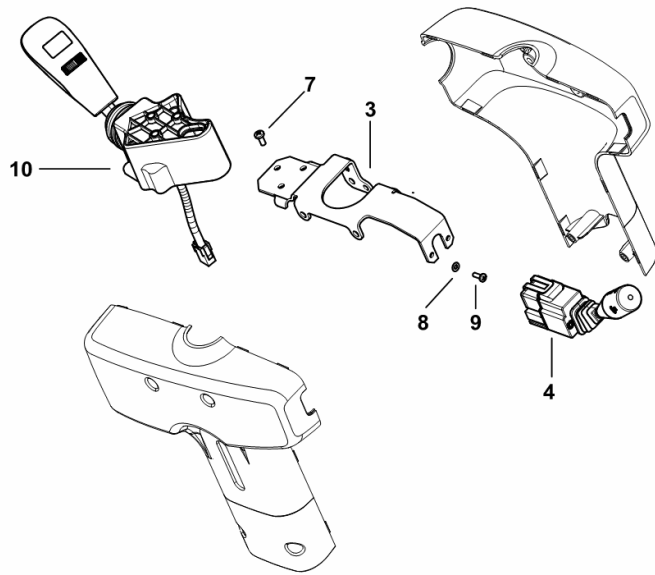
STEERING COLUMN SWITCH UNIT - REVERSING GEAR UNIT CONTROL

Fig.	Code	QTY	Name
------	------	-----	------

Notes:

[Agrofarm 420 Profiline -> 25001]

3	0.015.0366.3/20	1	plate
4	0.015.0359.4	1	lever
7	2.0332.304.3	7	screw m 5 x 12
8	2.1310.028.2	2	flat washer 4
9	2.0332.204.2	2	screw m 4x0.7x12
10	0.016.8672.4	1	switch



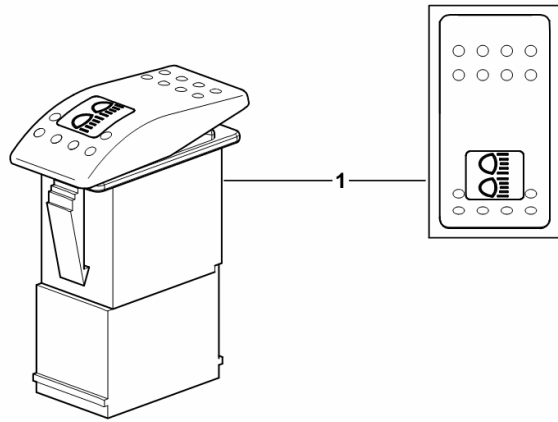
9_R8574_01_0-B-001

WORKLIGHTS SWITCH

Fig.	Code	QTY	Name
------	------	-----	------

Notes:
[Agrofarm 420 Profiline -> 25001]

1	2.7659.156.0	1	switch
---	--------------	---	--------



9_L1384_01_0-A-001

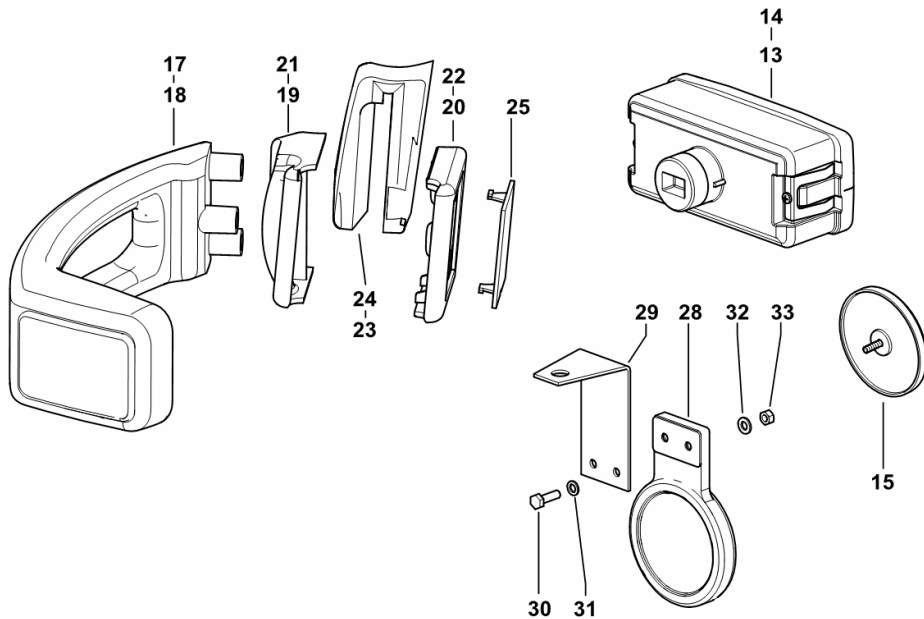
FRONT/REAR LIGHTS

Fig.	Code	QTY	Name
------	------	-----	------

Notes:

[Agrofarm 420 Profiline -> 25001]

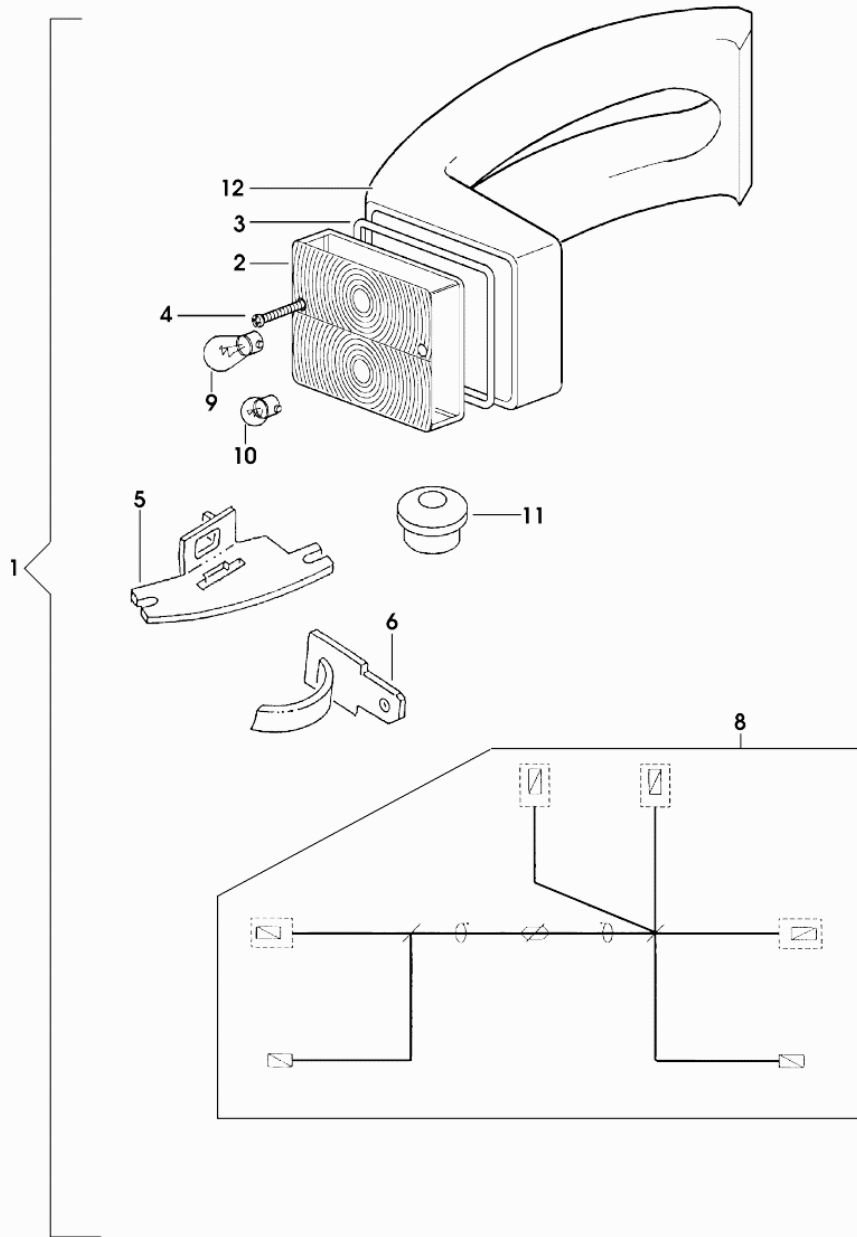
13	2.8059.080.0	1	lamp sx/lh/li ☞ 2.8059.080.0
14	2.8059.090.0	1	lamp dx/rh/re ☞ 2.8059.090.0
15	2.8349.002.2/30	2	reflector Ø 86 mm
17	04411920.4	1	lamp sx/lh/li ☞ 04411920.4
18	04411921.4	1	lamp dx/rh/re ☞ 04411921.4
19	04413186	1	guard sx/lh/li
20	04413187	1	guard sx/lh/li
21	04413188	1	guard dx/rh/re
22	04413189	1	guard dx/rh/re
23	0.010.9938.0	1	lining dx/rh/re
24	0.010.9939.0	1	lining sx/lh/li
25	0.010.9639.0/10	2	plug
28	2.8349.008.0/30	2	reflector mm 80
29	0.007.7018.0	2	plate
30	2.0112.007.2	4	screw m 6 p.1 x 20
31	2.1470.002.2	4	washer 6, d128
32	2.1310.002.2	4	washer 6.6, d125
33	2.1011.103.2	4	nut m 6 p.1



9_H1284_08_0-A-001

HEADLAMP COMPONENTS

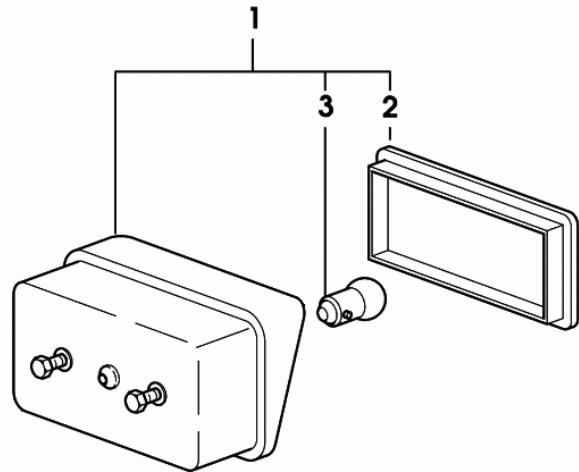
Fig.	Code	QTY	Name
1	04411920.4	1	lamp sx/lh/li
2	04414091	1	side lamp
3	04414092	1	gasket
4	04414116	2	screw 4.2x50
5	04414093	1	socket
6	04414094	2	spring
8	04411923.4	1	wire
9	01121407	1	lamp 12v 5w r19/5
10	01102550	1	lamp r121w d72601
11	04419040	1	plug
12	04413222	1	support



0441_1920_4

HEADLAMP COMPONENTS

Fig.	Code	QTY	Name
1	2.8059.450.0	1	lamp
2	0.010.3487.1	1	guard
3	0.010.3487.2	1	lamp 12V - 5W



2_8059_450_0

COOLING

FASTENINGS.....	B0.09.1014
FASTENINGS.....	B0.09.1018
SCREW PLUG.....	B0.09.1071
CLOSING COMPONENTS.....	B0.09.1073
DRIVING PARTS.....	B0.09.1080
FAN SUPPORT.....	B0.09.1115
COOLING WATER PUMP.....	B0.09.1149
COOLING WATER PUMP.....	B0.09.1153

INTAKE - EXHAUST MANIFOLDS

EXHAUST PIPE.....	B0.10.1007
EXHAUST PIPE.....	B0.10.1016
FASTENINGS.....	B0.10.1035
MANIFOLD.....	B0.10.1085
MANIFOLD.....	B0.10.1091
CLOSING COMPONENTS.....	B0.10.1105
CLOSING COMPONENTS.....	B0.10.1107
CLOSING COMPONENTS.....	B0.10.1110
CHARGED AIR MANIFOLD.....	B0.10.1129
CHARGED AIR MANIFOLD.....	B0.10.1133

TURBOCHARGER

TURBOCHARGER.....	B0.11.1023
RETURN LINE.....	B0.11.1051
OIL LUBRICATION PIPE.....	B0.11.1074
CLOSING COMPONENTS.....	B0.11.1085
CLOSING COMPONENTS.....	B0.11.1086

Electrical accessories

FASTENINGS.....	B0.12.1010
FASTENINGS.....	B0.12.1021
FASTENINGS.....	B0.12.1032
IMPULSE TRANSMITTER.....	B0.12.1053
GENERATOR.....	B0.12.1059
GENERATOR.....	B0.12.1067
GENERATOR.....	B0.12.1076
ENGINE ELECTRICAL SYSTEM.....	B0.12.1096
ENGINE ELECTRICAL SYSTEM.....	B0.12.1102
V-GROOVED PULLEY.....	B0.12.1114
STARTER.....	B0.12.1127
STARTER.....	B0.12.1133
ACCESSORIES.....	B0.12.1145
ACCESSORIES.....	B0.12.1155
OIL PRESSURE SWITCH.....	B0.12.1205
TEMPERATURE TRANSMITTER.....	B0.12.1222
IMPULSE TRANSMITTER.....	B0.12.1234

ACCESSORIES

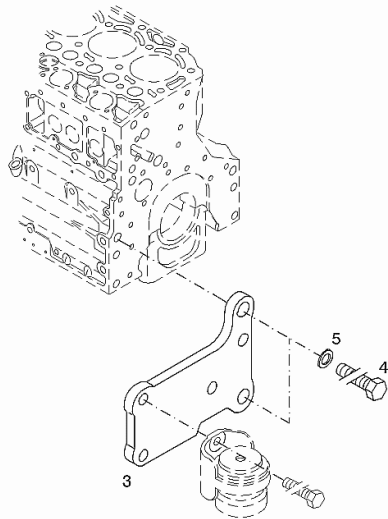
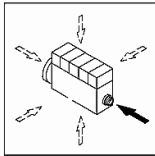
Fig.	Code	QTY	Name
------	------	-----	------

Engine Serial Numbers:

10835173 10873025 10873031 10876209 10876887 10876894 10893486 10893514 10893829 10893840 10893842
 10893845 10894690 10894692 10894693 10895558 10895560 10895564 10895566 10895860 10895865 10902245
 10903638 10903639 10903641 10905641 10905642 10905643 10905644 10908190 10908194 10908195 10908198
 10908199 10908230 10908231 10908232 10908233 10908234 10908238 10908239 10911357 10911358 10911360
 10911362 10911363 10912444 10912445 10912446 10912447 10912453 10913928 10913930 10913931 10913933
 10913934 10913971 10913973 10920275 10920278 10920281 10920285 10921806 10921812 10921818 10922545
 10922547 10922550 10922556 10922565 10923174 10923176 10923180 10923184 10923623 10923624 10923638
 10924534 10924536 10925110 10925112 10925115 10925125 10925127 10925133 10925140 10925141 10927320
 10927323 10927325 10927911 10927912 10927916 10929299 10929301 10930258 10930265 10930270 10930273
 10931413 10931416 10931417 10931496 10931498 10932253 10932263 10932265 10932266 10932507 10932508
 10942256 10942259 10953647 10953648 10956256 10956262 10956263 10956264 10956924 10956925 10956926
 10956927 10956930 10956931 10956932 10959410 10959413 10959414 10961600 10961607 10961608 10962167
 10962169 10962170 10962171 10962172 10962177 10964809 10964810 10964811 10965529 10965531 10965535
 10967939 10968056 10968057 10968555 10970637 10970644 10970646 10972056 10972057 10973252 10973273
 10973274 10973278 10973285 10973287 10973288 10973530 10973531 10973536 10973537 10975134 10975135
 10979100 10979103 10985009 10986677 10986688 10986689 10986701 10986705 10986711 10986714 10986910
 10986930 10986931 10986933 10987726 10987730 10988323 10988325 10988329 10988433 10989320 10989324
 10989327 10989331 11001000 11001598 11002569 11002576 11002609 11006302 11006304 11006306 11006308
 11006309 11006310 11006311 11006312 11007535 11007965 11007989 11007992 11009490 11012149 11014246
 11014252 11015047 11015049 11015050 11015860 11018502 11018649 11020641 11020642 11020645 11020646
 11020648 11020651 11021119 11021120 11021121 11021601 11021603 11021712 11023951 11023994 11024200
 11024202 11027865 11029862

003 ©

3	04288660	1	support
4	01148261	2	screw ISO 4017 -M16X40-10.9-ZNAL-A
5	01181400	2	washer H 2308 -18X25X1,5-A4C



FASTENINGS

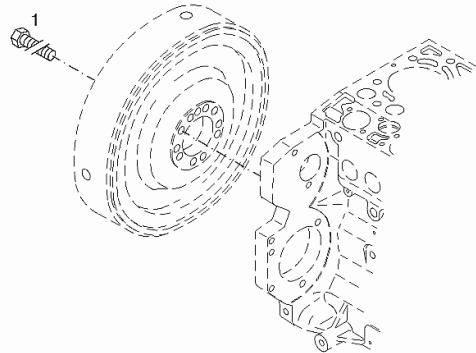
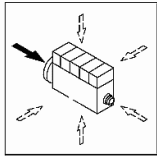
Fig.	Code	QTY	Name
------	------	-----	------

Engine Serial Numbers:

10835173 10873025 10873031 10876209 10876887 10876894 10893486 10893514 10893829 10893840 10893842
 10893845 10894690 10894692 10894693 10895558 10895560 10895564 10895566 10895860 10895865 10902245
 10903638 10903639 10903641 10905641 10905642 10905643 10905644 10908190 10908194 10908195 10908198
 10908199 10908230 10908231 10908232 10908233 10908234 10908238 10908239 10911357 10911358 10911360
 10911362 10911363 10912444 10912445 10912446 10912447 10912453 10913928 10913930 10913931 10913933
 10913934 10913971 10913973 10920275 10920278 10920281 10920285 10921806 10921812 10921818 10922545
 10922547 10922550 10922556 10922565 10923174 10923176 10923180 10923184 10923623 10923624 10923638
 10924534 10924536 10925110 10925112 10925115 10925125 10925127 10925133 10925140 10925141 10927320
 10927323 10927325 10927911 10927912 10927916 10929299 10929301 10930258 10930265 10930270 10930273
 10931413 10931416 10931417 10931496 10931498 10932253 10932263 10932265 10932266 10932507 10932508
 10942256 10942259 10953647 10953648 10956256 10956262 10956263 10956264 10956924 10956925 10956926
 10956927 10956930 10956931 10956932 10959410 10959413 10959414 10961600 10961607 10961608 10962167
 10962169 10962170 10962171 10962172 10962177 10964809 10964810 10964811 10965529 10965531 10965535
 10967939 10968056 10968057 10968555 10970637 10970644 10970646 10972056 10972057 10973252 10973273
 10973274 10973278 10973285 10973287 10973288 10973530 10973531 10973536 10973537 10975134 10975135
 10979100 10979103 10985009 10986677 10986688 10986689 10986701 10986705 10986711 10986714 10986910
 10986930 10986931 10986933 10987726 10987730 10988323 10988325 10988329 10988433 10989320 10989324
 10989327 10989331 11001000 11001598 11002569 11002576 11002609 11006302 11006304 11006306 11006308
 11006309 11006310 11006311 11006312 11007535 11007965 11007989 11007992 11009490 11012149 11014246
 11014252 11015047 11015049 11015050 11015860 11018502 11018649 11020641 11020642 11020645 11020646
 11020648 11020651 11021119 11021120 11021121 11021601 11021603 11021712 11023951 11023994 11024200
 11024202 11027865 11029862

001 ©

1	04204128	10	screw m 10 p.1x35 M10X1X35
---	----------	----	-------------------------------



BUSH

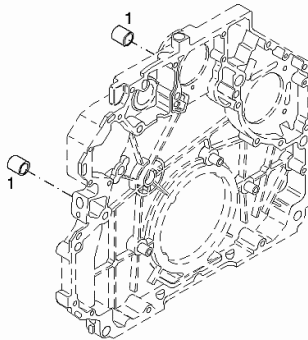
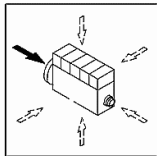
Fig.	Code	QTY	Name
------	------	-----	------

Engine Serial Numbers:

10835173 10873025 10873031 10876209 10876887 10876894 10893486 10893514 10893829 10893840 10893842
 10893845 10894690 10894692 10894693 10895558 10895560 10895564 10895566 10895860 10895865 10902245
 10903638 10903639 10903641 10905641 10905642 10905643 10905644 10908190 10908194 10908195 10908198
 10908199 10908230 10908231 10908232 10908233 10908234 10908238 10908239 10911357 10911358 10911360
 10911362 10911363 10912444 10912445 10912446 10912447 10912453 10913928 10913930 10913931 10913933
 10913934 10913971 10913973 10920275 10920278 10920281 10920285 10921806 10921812 10921818 10922545
 10922547 10922550 10922556 10922565 10923174 10923176 10923180 10923184 10923623 10923624 10923638
 10924534 10924536 10925110 10925112 10925115 10925125 10925127 10925133 10925140 10925141 10927320
 10927323 10927325 10927911 10927912 10927916 10929299 10929301 10930258 10930265 10930270 10930273
 10931413 10931416 10931417 10931496 10931498 10932253 10932263 10932265 10932266 10932507 10932508
 10942256 10942259 10953647 10953648 10956256 10956262 10956263 10956264 10956924 10956925 10956926
 10956927 10956930 10956931 10956932 10959410 10959413 10959414 10961600 10961607 10961608 10962167
 10962169 10962170 10962171 10962172 10962177 10964809 10964810 10964811 10965529 10965531 10965535
 10967939 10968056 10968057 10968555 10970637 10970644 10970646 10972056 10972057 10973252 10973273
 10973274 10973278 10973285 10973287 10973288 10973530 10973531 10973536 10973537 10975134 10975135
 10979100 10979103 10985009 10986677 10986688 10986689 10986701 10986705 10986711 10986714 10986910
 10986930 10986931 10986933 10987726 10987730 10988323 10988325 10988329 10988433 10989320 10989324
 10989327 10989331 11001000 11001598 11002569 11002576 11002609 11006302 11006304 11006306 11006308
 11006309 11006310 11006311 11006312 11007535 11007965 11007989 11007992 11009490 11012149 11014246
 11014252 11015047 11015049 11015050 11015860 11018502 11018649 11020641 11020642 11020645 11020646
 11020648 11020651 11021119 11021120 11021121 11021601 11021603 11021712 11023951 11023994 11024200
 11024202 11027865 11029862

001 ©

1	04206381	2	bushing 13x18x20
---	----------	---	------------------



CLICK HERE TO **DOWNLOAD** THE COMPLETE MANUAL

- Thank you very much for reading the preview of the manual.
- You can download the complete manual from: www.heydownloads.com by clicking the link below

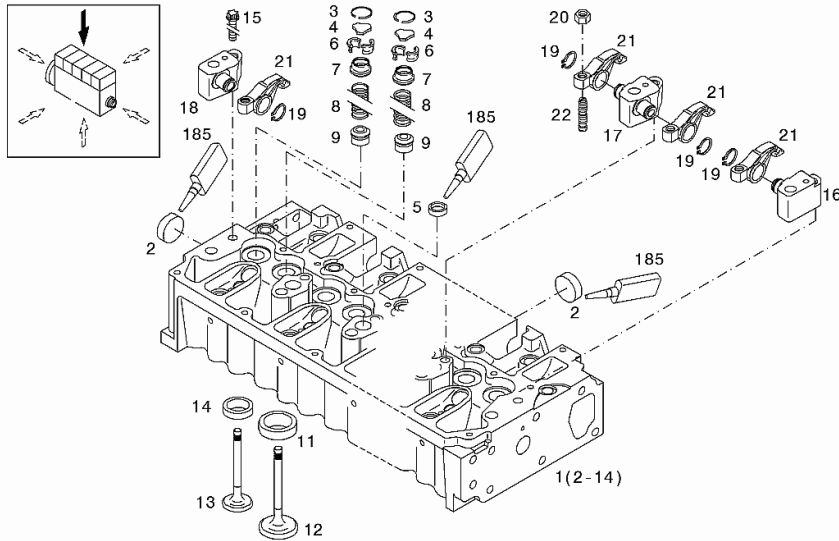


- Please note: If there is no response to CLICKING the link, please download this PDF first and then click on it.

CLICK HERE TO **DOWNLOAD** THE COMPLETE MANUAL

Section: B0 - ENGINE
CYLINDER HEAD

Fig.	Code	QTY	Name
19	01107731	8	circlip DIN 471 -21X1,2
20	02109637	8	nut
21	04289278	8	rocker
22	03365861	8	register
			- UP TO MONTH OF ASSEMBLY (A) - FROM MONTH OF ASSEMBLY SEE POS. (B) A = UP TO 08.2007 B = Pos.954
185	01016125	10	guard H 0699 -DEUTZDW72-250ML
954	04295639	8	register - FROM MONTH OF ASSEMBLY SEE POS. (B) - UP TO MONTH OF ASSEMBLY (A) FROM MONTH OF ASSEMBLY A = from 09.2007 B = pos. 22

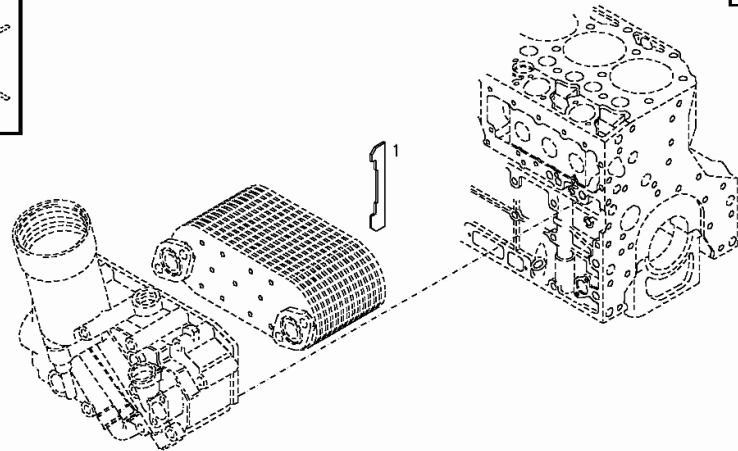
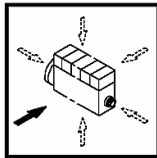


ACCESSORIES

Fig.	Code	QTY	Name
------	------	-----	------

Engine Serial Numbers:

10835173 10873025 10873031 10876209 10876887 10876894 10893486 10893514 10893829 10893840 10893842
 10893845 10894690 10894692 10894693 10895558 10895560 10895564 10895566 10895860 10895865 10902245
 10903638 10903639 10903641 10905641 10905642 10905643 10905644 10908190 10908194 10908195 10908198
 10908199 10908230 10908231 10908232 10908233 10908234 10908238 10908239 10911357 10911358 10911360
 10911362 10911363 10912444 10912445 10912446 10912447 10912453 10913928 10913930 10913931 10913933
 10913934 10913971 10913973 10920275 10920278 10920281 10920285 10921806 10921812 10921818 10922545
 10922547 10922550 10922556 10922565 10923174 10923176 10923180 10923184 10923623 10923624 10923638
 10924534 10924536 10925110 10925112 10925115 10925125 10925127 10925133 10925140 10925141 10927320
 10927323 10927325 10927911 10927912 10927916 10929299 10929301 10930258 10930265 10930270 10930273
 10931413 10931416 10931417 10931496 10931498 10932253 10932263 10932265 10932266 10932507 10932508
 10942256 10942259 10953647 10953648 10956256 10956262 10956263 10956264 10956924 10956925 10956926
 10956927 10956930 10956931 10956932 10959410 10959413 10959414 10961600 10961607 10961608 10962167
 10962169 10962170 10962171 10962172 10962177 10964809 10964810 10964811 10965529 10965531 10965535
 10967939 10968056 10968057 10968555 10970637 10970644 10970646 10972056 10972057 10973252 10973273
 10973274 10973278 10973285 10973287 10973288 10973530 10973531 10973536 10973537 10975134 10975135
 10979100 10979103 10985009 10986677 10986688 10986689 10986701 10986705 10986711 10986714 10986910
 10986930 10986931 10986933 10987726 10987730 10988323 10988325 10988329 10988433 10989320 10989324
 10989327 10989331 11001000 11001598 11002569 11002576 11002609 11006302 11006304 11006306 11006308
 11006309 11006310 11006311 11006312 11007535 11007965 11007989 11007992 11009490 11012149 11014246
 11014252 11015047 11015049 11015050 11015860 11018502 11018649 11020641 11020642 11020645 11020646
 11020648 11020651 11021119 11021120 11021121 11021601 11021603 11021712 11023951 11023994 11024200
 11024202 11027865 11029862

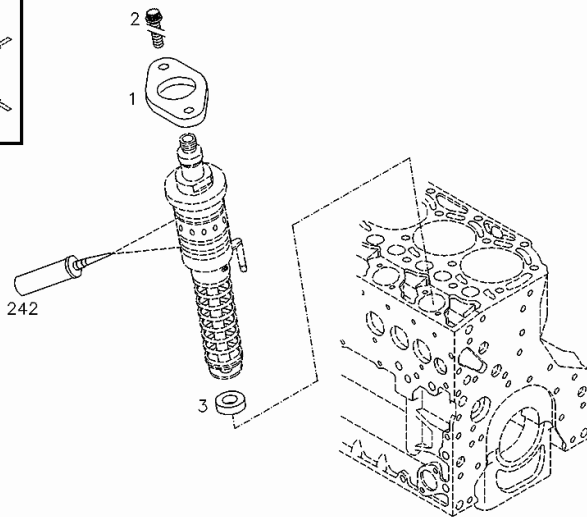
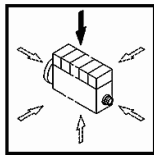


1	04290976	1	lamination
---	----------	---	------------

Section: B0 - ENGINE

FASTENINGS

Fig.	Code	QTY	Name
961	02113034	1	disc DEPENDING ON THE MEASUREMENT, GASKET THICKNESS (A) = MM FOR OTHER THICKNESSES SEE POS. (B) A=5.25 MM B=950-960,962-984
962	02113035	1	disc DEPENDING ON THE MEASUREMENT, GASKET THICKNESS (A) = MM FOR OTHER THICKNESSES SEE POS. (B) A=5.30 MM B=950-961,963-984
963	02113036	1	disc DEPENDING ON THE MEASUREMENT, GASKET THICKNESS (A) = MM FOR OTHER THICKNESSES SEE POS. (B) A=5.35 MM B=950-962,964-984
964	02113037	1	disc DEPENDING ON THE MEASUREMENT, GASKET THICKNESS (A) = MM FOR OTHER THICKNESSES SEE POS. (B) A=5.40 MM B=950-963,965-984
965	02113038	1	disc DEPENDING ON THE MEASUREMENT, GASKET THICKNESS (A) = MM FOR OTHER THICKNESSES SEE POS. (B) A=5.45 MM B=950-964,966-984
966	02113039	1	disc DEPENDING ON THE MEASUREMENT, GASKET THICKNESS (A) = MM FOR OTHER THICKNESSES SEE POS. (B) A=5.50 MM B=950-965,967-984
967	02113040	1	disc DEPENDING ON THE MEASUREMENT, GASKET THICKNESS (A) = MM FOR OTHER THICKNESSES SEE POS. (B) A=5.55 MM B=950-966,968-984
968	02113041	1	disc DEPENDING ON THE MEASUREMENT, GASKET THICKNESS (A) = MM FOR OTHER THICKNESSES SEE POS. (B) A=5.60 MM B=950-967,969-984
969	02113042	1	disc

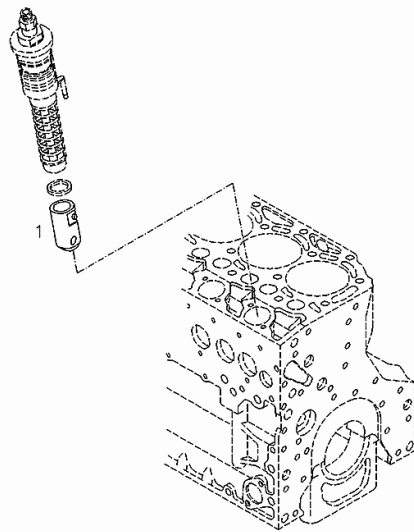
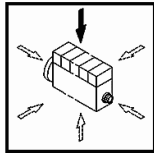


000 ©

0507 8695

Section: B0 - ENGINE
ROLLER TAPPET

Fig.	Code	QTY	Name
1	04298064	1	none hydraulic tappets A depending on the type: 4 X 4 cylinders 6 x6 cylinders

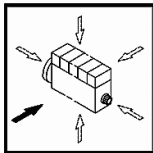


000 ©

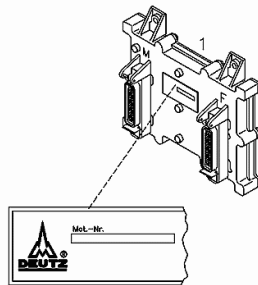
0507 8106

ELECTRONIC CONTROL UNIT - ENGINE

Fig.	Code	QTY	Name
1	02959548	1	central device Control unit with engine specifications (DATA SET) without data set see pos. (950)
950	04213097	1	central device Control appliance without engine specifications WITH DATA SET SEE POSIT. DATE (1)



000 ©

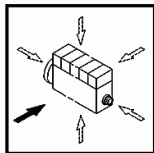


CLOSING COMPONENTS

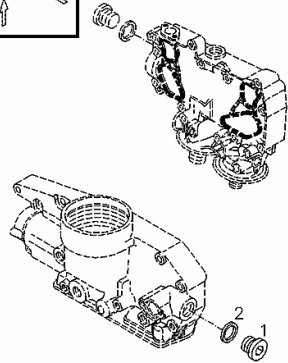
Fig.	Code	QTY	Name
------	------	-----	------

Engine Serial Numbers:

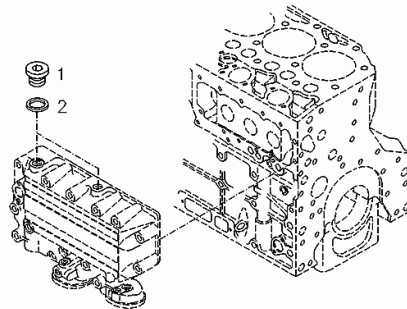
10835173 10873025 10873031 10876209 10876887 10876894 10893486 10893514 10893829 10893840 10893842
 10893845 10894690 10894692 10894693 10895558 10895560 10895564 10895566 10895860 10895865 10902245
 10903638 10903639 10903641 10905641 10905642 10905643 10905644 10908190 10908194 10908195 10908198
 10908199 10908230 10908231 10908232 10908233 10908234 10908238 10908239 10911357 10911358 10911360
 10911362 10911363 10912444 10912445 10912446 10912447 10912453 10913928 10913930 10913931 10913933
 10913934 10913971 10913973 10920275 10920278 10920281 10920285 10921806 10921812 10921818 10922545
 10922547 10922550 10922556 10922565 10923174 10923176 10923180 10923184 10923623 10923624 10923638
 10924534 10924536 10925110 10925112 10925115 10925125 10925127 10925133 10925140 10925141 10927320
 10927323 10927325 10927911 10927912 10927916 10929299 10929301 10930258 10930265 10930270 10930273
 10931413 10931416 10931417 10931496 10931498 10932253 10932263 10932265 10932266 10932507 10932508
 10942256 10942259 10953647 10953648 10956256 10956262 10956263 10956264 10956924 10956925 10956926
 10956927 10956930 10956931 10956932 10959410 10959413 10959414 10961600 10961607 10961608 10962167
 10962169 10962170 10962171 10962172 10962177 10964809 10964810 10964811 10965529 10965531 10965535
 10967939 10968056 10968057 10968555 10970637 10970644 10970646 10972056 10972057 10973252 10973273
 10973274 10973278 10973285 10973287 10973288 10973530 10973531 10973536 10973537 10975134 10975135
 10979100 10979103 10985009 10986677 10986688 10986689 10986701 10986705 10986711 10986714 10986910
 10986930 10986931 10986933 10987726 10987730 10988323 10988325 10988329 10988433 10989320 10989324
 10989327 10989331 11001000 11001598 11002569 11002576 11002609 11006302 11006304 11006306 11006308
 11006309 11006310 11006311 11006312 11007535 11007965 11007989 11007992 11009490 11012149 11014246
 11014252 11015047 11015049 11015050 11015860 11018502 11018649 11020641 11020642 11020645 11020646
 11020648 11020651 11021119 11021120 11021121 11021601 11021603 11021712 11023951 11023994 11024200
 11024202 11027865 11029862



002 ©



(BFM2012)



(BFM1013)

1	01148158	2	plug DIN 908 -M26X1,5-ST-A4C
2	01118760	2	gasket 26x31 DIN 7603 -A26X31-CU

MANIFOLD

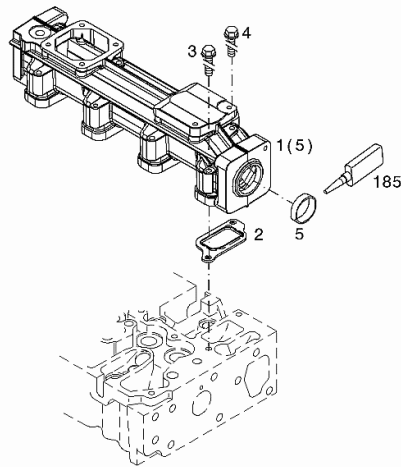
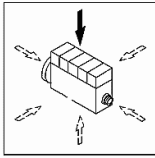
Fig.	Code	QTY	Name
------	------	-----	------

Engine Serial Numbers:

10835173 10873025 10873031 10876209 10876887 10876894 10893486 10893514 10893829 10893840 10893842
 10893845 10894690 10894692 10894693 10895558 10895560 10895564 10895566 10895860 10895865 10902245
 10903638 10903639 10903641 10905641 10905642 10905643 10905644 10908190 10908194 10908195 10908198
 10908199 10908230 10908231 10908232 10908233 10908234 10908238 10908239 10911357 10911358 10911360
 10911362 10911363 10912444 10912445 10912446 10912447 10912453 10913928 10913930 10913931 10913933
 10913934 10913971 10913973 10920275 10920278 10920281 10920285 10921806 10921812 10921818 10922545
 10922547 10922550 10922556 10922565 10923174 10923176 10923180 10923184 10923623 10923624 10923638
 10924534 10924536 10925110 10925112 10925115 10925125 10925127 10925133 10925140 10925141 10927320
 10927323 10927325 10927911 10927912 10927916 10929299 10929301 10930258 10930265 10930270 10930273
 10931413 10931416 10931417 10931496 10931498 10932253 10932263 10932265 10932266 10932507 10932508
 10942256 10942259 10953647 10953648 10956256 10956262 10956263 10956264 10956924 10956925 10956926
 10956927 10956930 10956931 10956932 10959410 10959413 10959414 10961600 10961607 10961608 10962167
 10962169 10962170 10962171 10962172 10962177 10964809 10964810 10964811 10965529 10965531 10965535
 10967939 10968056 10968057 10968555 10970637 10970644 10970646 10972056 10972057 10973252 10973273
 10973274 10973278 10973285 10973287 10973288 10973530 10973531 10973536 10973537 10975134 10975135
 10979100 10979103 10985009 10986677 10986688 10986689 10986701 10986705 10986711 10986714 10986910
 10986930 10986931 10986933 10987726 10987730 10988323 10988325 10988329 10988433 10989320 10989324
 10989327 10989331 11001000 11001598 11002569 11002576 11002609 11006302 11006304 11006306 11006308
 11006309 11006310 11006311 11006312 11007535 11007965 11007989 11007992 11009490 11012149 11014246
 11014252 11015047 11015049 11015050 11015860 11018502 11018649 11020641 11020642 11020645 11020646
 11020648 11020651 11021119 11021120 11021121 11021601 11021603 11021712 11023951 11023994 11024200
 11024202 11027865 11029862

000 ©

1	04501127	1	manifold WITH POS.... (5)
2	04283576	4	gasket
3	01181434	4	screw EN 1662 -F-M6X75-10.9-ZNAL-A*
4	01179293	4	screw EN 1662 -F-M6X95-10.9-A4C*
5	01148032	2	cover DIN 443 -A45-ZNPHR
185	01016127	1	sealing compound ml. 50 H 0699 -DEUTZDW72-50ML



CLOSING COMPONENTS

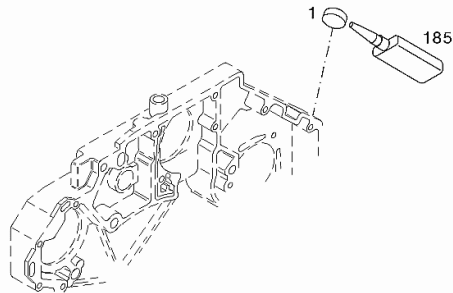
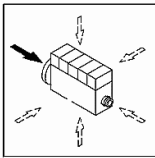
Fig.	Code	QTY	Name
------	------	-----	------

Engine Serial Numbers:

10835173 10873025 10873031 10876209 10876887 10876894 10893486 10893514 10893829 10893840 10893842
 10893845 10894690 10894692 10894693 10895558 10895560 10895564 10895566 10895860 10895865 10902245
 10903638 10903639 10903641 10905641 10905642 10905643 10905644 10908190 10908194 10908195 10908198
 10908199 10908230 10908231 10908232 10908233 10908234 10908238 10908239 10911357 10911358 10911360
 10911362 10911363 10912444 10912445 10912446 10912447 10912453 10913928 10913930 10913931 10913933
 10913934 10913971 10913973 10920275 10920278 10920281 10920285 10921806 10921812 10921818 10922545
 10922547 10922550 10922556 10922565 10923174 10923176 10923180 10923184 10923623 10923624 10923638
 10924534 10924536 10925110 10925112 10925115 10925125 10925127 10925133 10925140 10925141 10927320
 10927323 10927325 10927911 10927912 10927916 10929299 10929301 10930258 10930265 10930270 10930273
 10931413 10931416 10931417 10931496 10931498 10932253 10932263 10932265 10932266 10932507 10932508
 10942256 10942259 10953647 10953648 10956256 10956262 10956263 10956264 10956924 10956925 10956926
 10956927 10956930 10956931 10956932 10959410 10959413 10959414 10961600 10961607 10961608 10962167
 10962169 10962170 10962171 10962172 10962177 10964809 10964810 10964811 10965529 10965531 10965535
 10967939 10968056 10968057 10968555 10970637 10970644 10970646 10972056 10972057 10973252 10973273
 10973274 10973278 10973285 10973287 10973288 10973530 10973531 10973536 10973537 10975134 10975135
 10979100 10979103 10985009 10986677 10986688 10986689 10986701 10986705 10986711 10986714 10986910
 10986930 10986931 10986933 10987726 10987730 10988323 10988325 10988329 10988433 10989320 10989324
 10989327 10989331 11001000 11001598 11002569 11002576 11002609 11006302 11006304 11006306 11006308
 11006309 11006310 11006311 11006312 11007535 11007965 11007989 11007992 11009490 11012149 11014246
 11014252 11015047 11015049 11015050 11015860 11018502 11018649 11020641 11020642 11020645 11020646
 11020648 11020651 11021119 11021120 11021121 11021601 11021603 11021712 11023951 11023994 11024200
 11024202 11027865 11029862

000 ©

1	04255856	1	cover DIN 443 -B28-A4C*
185	01016127	1	sealing compound ml. 50 H 0699 -DEUTZDW72-50ML

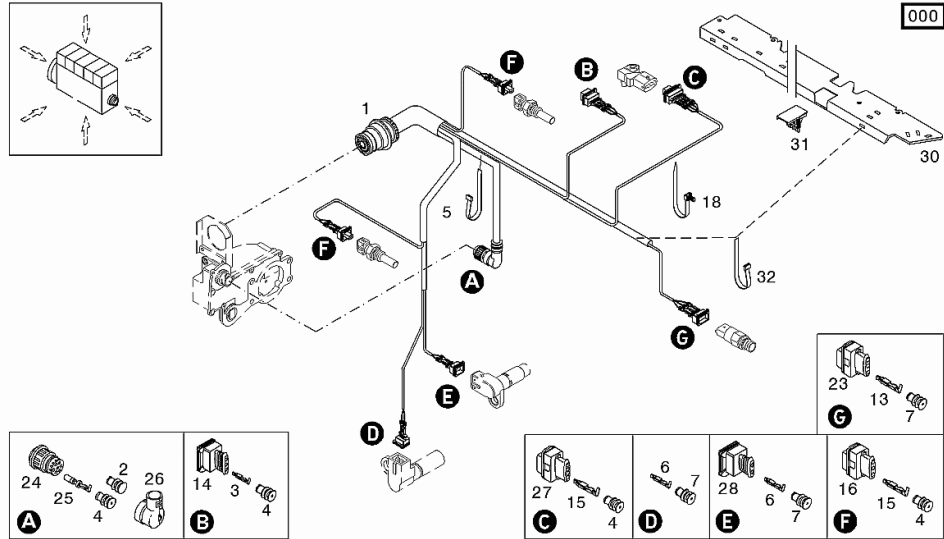


Section: B0 - ENGINE
ENGINE ELECTRICAL SYSTEM

Fig.	Code	QTY	Name
------	------	-----	------

Engine Serial Numbers:

10835173	10873025	10873031	10876209	10876887	10876894	10893486	10893514	10893829	10893840	10893842
10893845	10894690	10894692	10894693	10895558	10895560	10895564	10895566	10895860	10895865	10902245
10903638	10903639	10903641	10905641	10905642	10905643	10905644	10908190	10908194	10908195	10908198
10908199	10908230	10908231	10908232	10908233	10908234	10908238	10908239	10911357	10911358	10911360
10911362	10911363	10912444	10912445	10912446	10912447	10912453	10913928	10913930	10913931	10913933
10913934	10913971	10913973	10920275	10920278	10920281	10920285	10921806	10921812	10921818	10922545
10922547	10922550	10922556	10922565	10923174	10923176	10923180	10923184	10923623	10923624	10923638
10924534	10924536	10925110	10925112	10925115	10925125	10925127	10925133	10925140	10925141	10927320
10927323	10927325	10927911	10927912	10927916	10929299	10929301	10930258	10930265	10930270	10930273
10931413	10931416	10931417	10931496	10931498	10932253	10932263	10932265	10932266	10932507	10932508
10942256	10942259	10953647	10953648	10956256	10956262	10956263	10956264	10956924	10956925	10956926
10956927	10956930	10956931	10956932	10959410	10959413	10959414	10961600	10961607	10961608	10962167
10962169	10962170	10962171	10962172	10962177	10964809	10964810	10964811	10965529	10965531	10965535
10967939	10968056	10968057	10968555	10970637	10970644	10970646	10972056	10972057	10973252	10973273
10973274	10973278	10973285	10973287	10973288	10973530	10973531	10973536	10973537	10975134	10975135
10979100	10979103	10985009	10986677	10986688	10986689	10986701	10986705	10986711	10986714	10986910
10986930	10986931	10986933	10987726	10987730	10988323	10988325	10988329	10988433	10989320	10989324
10989327	10989331	11001000	11001598	11002569	11002576	11002609	11006302	11006304	11006306	11006308
11006309	11006310	11006311	11006312	11007535	11007965	11007989	11007992	11009490	11012149	11014246
11014252	11015047	11015049	11015050	11015860	11018502	11018649	11020641	11020642	11020645	11020646
11020648	11020651	11021119	11021120	11021121	11021601	11021603	11021712	11023951	11023994	11024200
11024202	11027865	11029862								



1	04215655	1	-
2	04190860	6	plug
3	04190852	3	pin
4	04190853	16	gasket
5	01176435	1	clamp H 7672 -P160X4,8
6	04190848	4	gasket
7	04190851	7	gasket
13	04199863	3	contact
14	04194629	1	covering
15	04199810	8	contact
16	04199811	2	connection
18	04213481	1	clamp
23	04194989	1	connection
24	04199563	1	plug
25	04199565	5	pin
26	04199599	1	tube
27	04194198	1	connection
28	04194932	1	covering
30	04284540	1	shield
31	04194944	1	terminal

Agrofarm 420 Profiline -> 25001

C0 - ENGINE ACCESSORIES

RADIATORS - FANS

WATER COOLER.....	C0.01.0 (1)
PIPES FOR WATER COOLER AND TANK.....	C0.01.1 (1)
ENGINE FAN.....	C0.01.2 (1)
TANK - PARTS.....	0.014.8023.4/10.A

INTERCOOLER - AIR CLEANER

INTERCOOLER.....	C0.02.0 (1)
8" AIR CLEANER.....	C0.02.1 (1)
8" AIR CLEANER WITH DUST EXHAUSTER.....	C0.02.2 (1)
AIR CLEANER.....	2.4249.718.0.A

FUEL SYSTEM

FUEL SYSTEM - TANK.....	C0.03.0 (1)
FUEL SYSTEM - TANK.....	C0.03.1 (1)
FUEL COOLER PIPES.....	C0.03.2 (1)
FUEL COOLER.....	C0.03.3 (1)
FUEL FILTER SUPPLY.....	C0.03.4 (1)
FUEL FILTER SUPPLY.....	C0.03.4 (2)
PRE-FILTER - COMPONENTS.....	2.4319.290.0/10.A

STARTER MOTOR

STARTER MOTOR COVER.....	C0.05.0 (1)
STARTER MOTOR COVER.....	C0.05.1 (1)

EXHAUST SILENCER

EXHAUST SILENCER.....	C0.06.0 (1)
-----------------------	-------------

AIR COMPRESSOR

AIR COMPRESSOR.....	C0.07.0 (1)
COMPRESSOR-PARTS.....	04428408.4.A

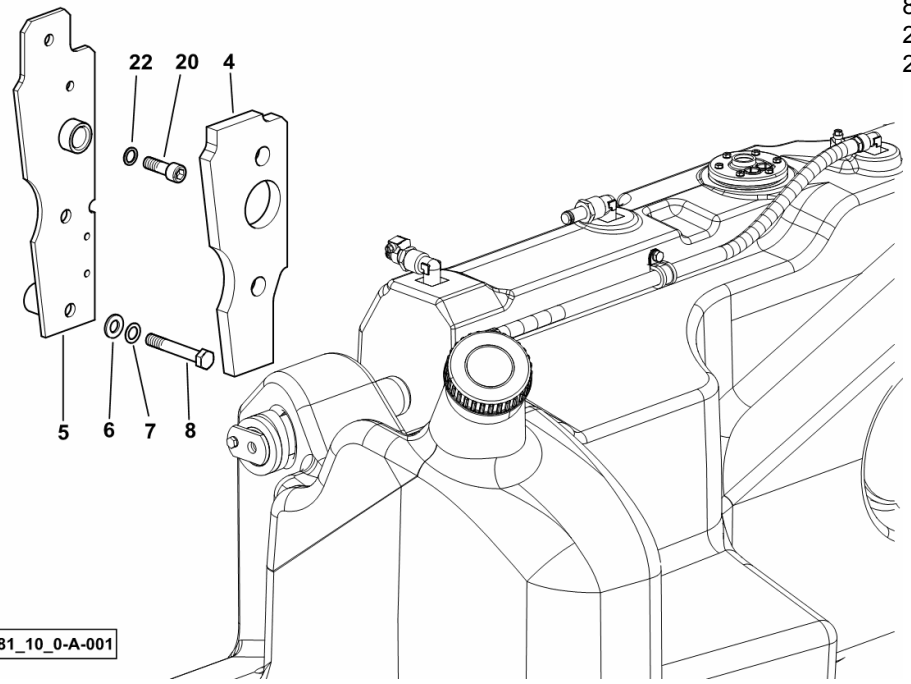
FUEL SYSTEM - TANK

Fig.	Code	QTY	Name
------	------	-----	------

Notes:

[Agrofarm 420 Profiline -> 25001]

4	0.015.1897.0/10	1	shim
5	0.014.3174.2/30	1	tank support
6	2.1310.007.2	1	flat washer 13.5
7	2.1470.007.2	1	lock washer 12
8	2.0112.424.2	1	screw m 12 p.1.75x75
20	2.0312.412.2	1	screw m 12 p.1.75x35
22	2.1480.016.2	1	washer 12



9_L1681_10_0-A-001

COMPRESSOR-PARTS

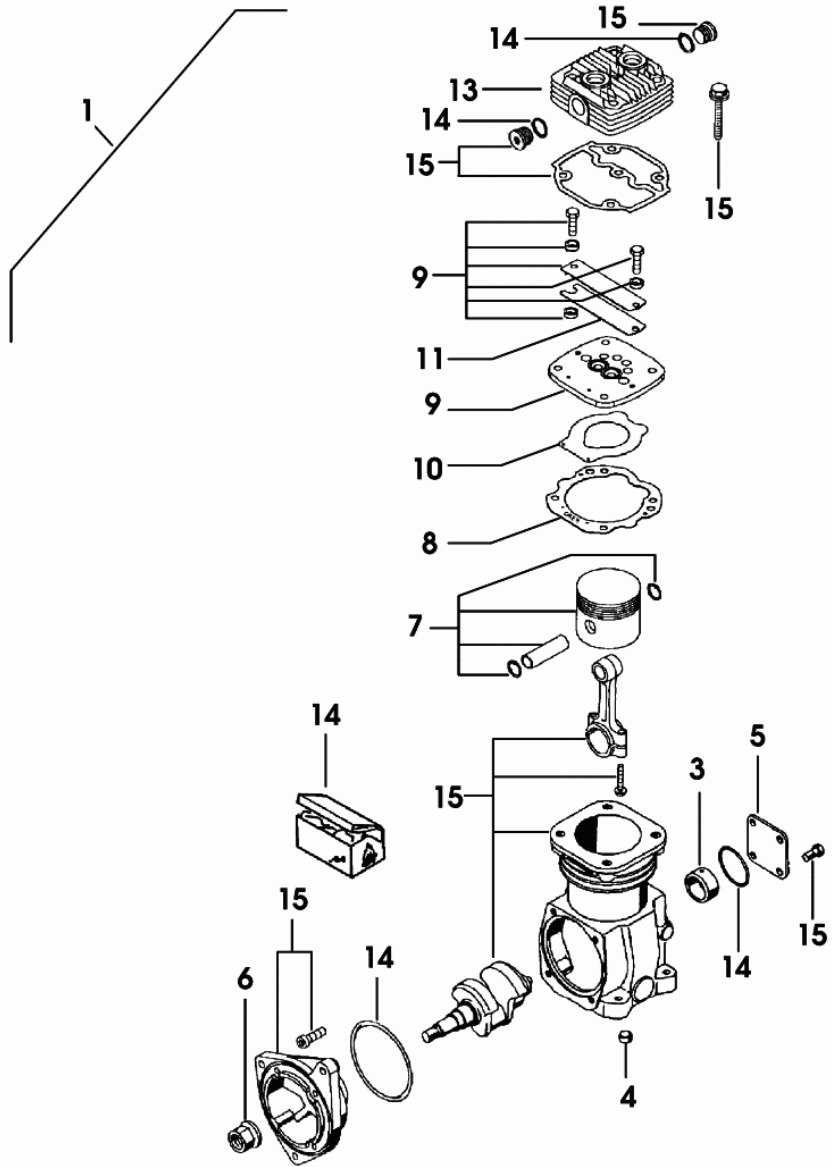
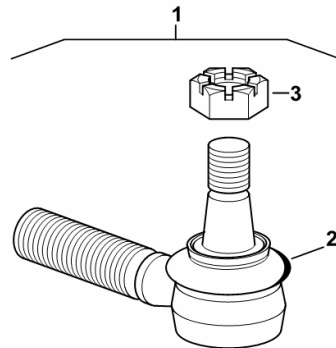


Fig.	Code	QTY	Name
1	04428408.4	1	air compressor 229 cm ³
3	04436267	1	bushing
4	01151194	2	cover
5	04436268	1	cover
6	04436276	1	nut
7	04436269	1	piston
8	04436270	1	gasket
9	04436271	1	valve
10	04436272	1	thin plate
11	04436273	1	thin plate
13	04436275	1	cover
14	04436277	1	sub-assy parts
15	0.000.0000.1	0	not serviceable

STEERING ROD - MECH. STEERING - TELESCOPIC AXLE

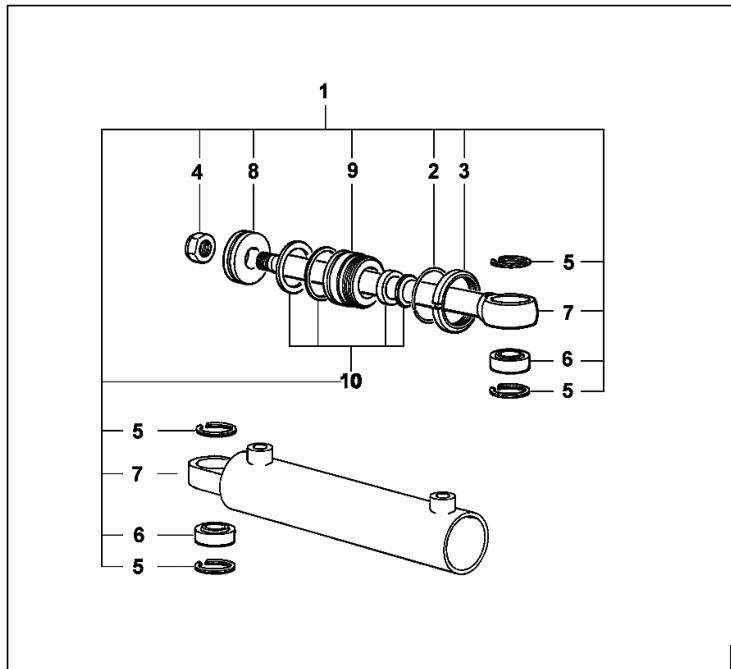
Fig.	Code	QTY	Name
1	0.010.0488.4/10	1	joint
2	0.900.0025.7	1	guard
3	0.900.0025.8	1	nut



0_010_0488_4_10

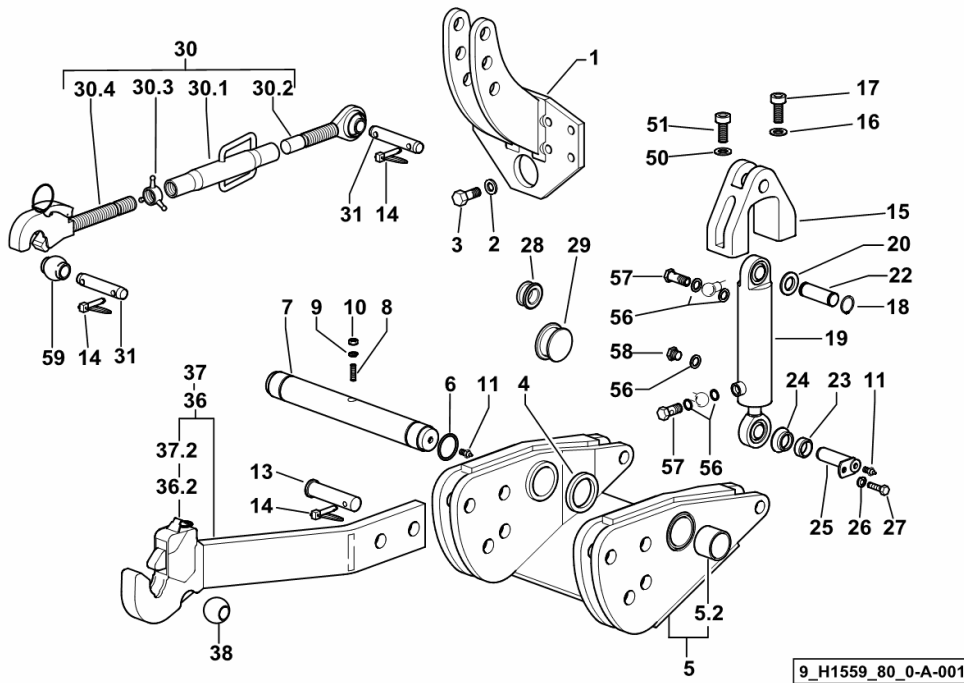
Section: F0 - FRONT AXLE
CYLINDER PARTS

Fig.	Code	QTY	Name
1	0.010.6110.4/20	1	roller
2	2.1421.019.1	1	circlip b 48
3	0.176.6372.0	1	ring nut M 45X1.5 D.56/9
4	0.463.6355.1	1	selflock nut m 16 p.1.5
5	2.1423.026.1	4	circlip 35 x 1.5
6	0.176.6371.0	2	ball joint
7	0.000.0000.1	0	not serviceable
8	0.176.6377.1	1	piston mm 48
9	0.176.6375.0	1	bushing
10	0.009.4734.2	1	seal ring kit



FRONT HYDRAULIC POWER-LIFT

Fig.	Code	QTY	Name
38	0.760.5952.0	2	cap Ø 56
50	2.1474.011.2	2	spring washer 12
51	2.0313.412.2	2	screw m 12 p.1.75x35
56	2.1560.010.0	6	gasket 14.2 x 20 x 1.5
57	2.3335.006.2	4	pipe union m 14 p.1.5x24
58	2.3120.009.4	2	plug m 14 p.1.5
59	0.96001.17.0	1	cap Ø 50



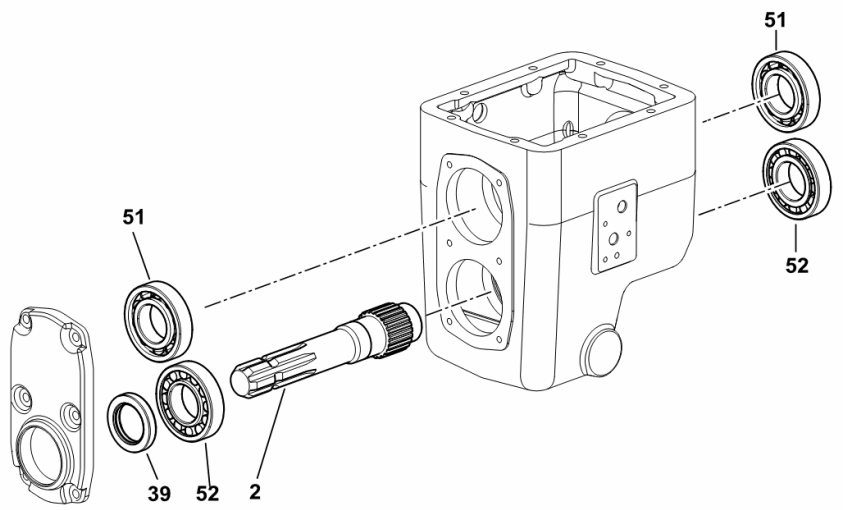
P.T.O. FRONT

Fig.	Code	QTY	Name
------	------	-----	------

Notes:

[Agrofarm 420 Profiline -> 25001]

2	0.007.5328.0/20	1	p.t.o.shaft
39	2.1520.220.0	1	oil seal 40x60x10
51	2.2040.012.0	2	ball bearing iso 40 bc 02
52	2.2423.012.0	2	roller bearing



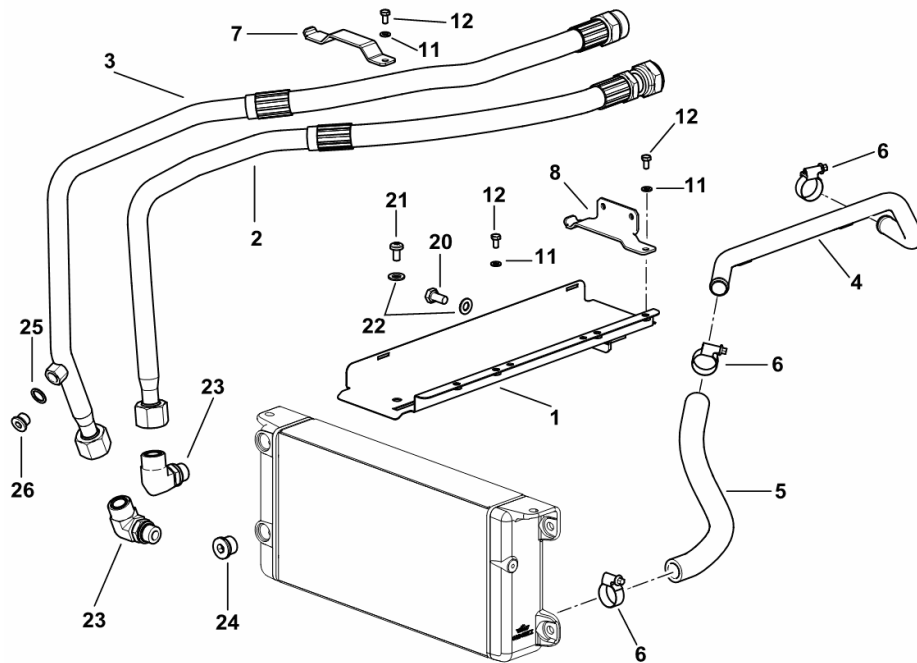
9_R8559_85_0-B-001

GEARBOX OIL COOLER PIPES

Fig.	Code	QTY	Name
------	------	-----	------

Notes:

[Agrofarm 420 Profiline -> 25001]



1	0.014.8103.3/10	1	channel
2	0.015.9350.3	1	tube
3	0.015.9351.3/10	1	tube
4	0.014.8419.2	1	tube
5	0.014.9301.0	1	tube
6	2.6851.003.0	3	clamp Ø 25/40
7	0.015.9674.0	1	bracket
8	0.014.9139.0	1	bracket
11	2.1310.002.2	4	washer 6.6, d125
12	2.0112.003.2	4	screw m 6 p.1 x 12
20	2.0114.307.2	1	screw m 10 x 20, d933
21	2.0330.506.2	1	screw m 8 x 16
22	2.1310.006.2	2	flat washer 10.5
23	2.3273.213.0	2	pipe fitting
24	2.3121.008.2	1	plug
25	2.1560.012.0	1	gasket 16.2 x 22 x 1.5
26	2.3120.010.4	1	plug m 16 p.1.5

9_R8582_05_0-A-001

HYDRAULIC SYSTEM FOR SECOND PUMP - 14 cc

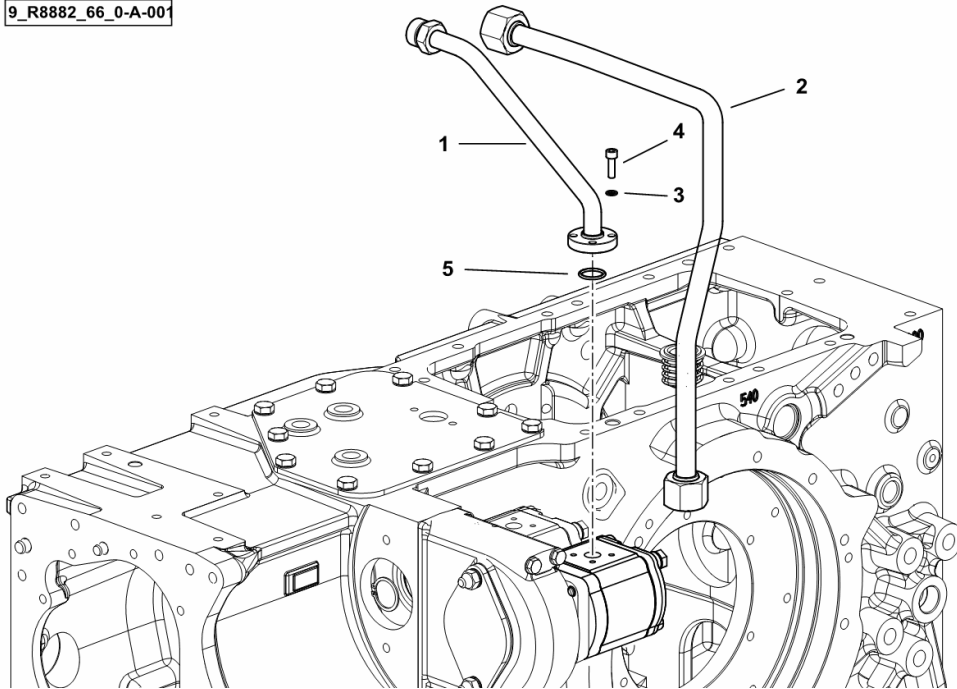
Fig.	Code	QTY	Name
------	------	-----	------

Notes:

VERSION WITH 3 HYDRAULIC PUMPS [Agrofarm 420 Profiline -> 25001]

1	0.017.8994.3	1	tube
2	0.017.8995.3	1	tube
3	2.1480.012.2	4	washer 6, d128
4	2.0312.106.2	4	screw m 6 p.1 x 20
5	2.1531.052.0	1	'o' ring 20.29 x 2.62

9_R8882_66_0-A-001



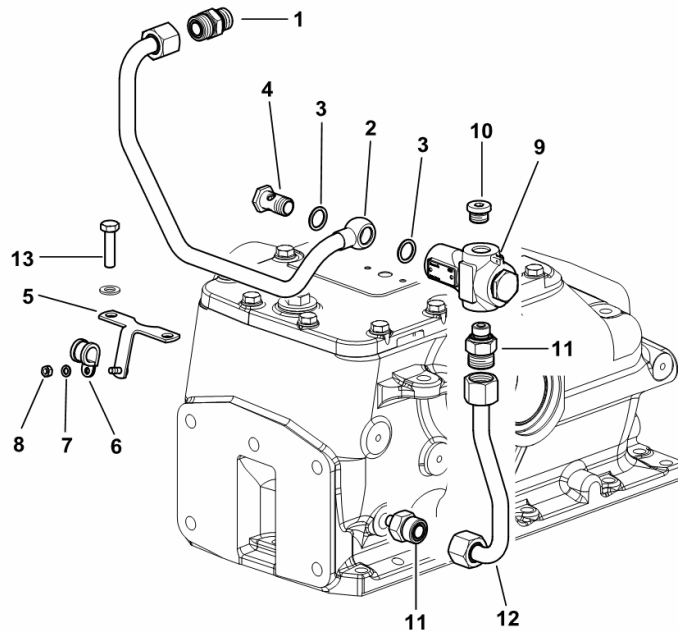
PRESSURE CONTROL VALVE

Fig.	Code	QTY	Name
------	------	-----	------

Notes:

VERSION WITH 2 HYDRAULIC PUMPS [Agrofarm 420 Profiline -> 25001] 25049 <-

1	2.3275.015.0	1	pipe fitting
2	0.018.1328.3	1	tube
3	2.1560.014.0	2	gasket 18.2 x 24 x 1.5
4	2.3335.008.2	1	pipe union m 18 p.1.5 x 32
5	0.018.1352.3	1	bracket
6	2.6839.066.0/10	1	clamp 16
7	2.1470.002.2	1	washer 6, d128
8	2.1011.103.2	1	nut m 6 p.1
9	2.3729.420.4	1	valve
10	04454782	1	plug
11	2.3272.011.0	2	pipe fitting m 18 p.1.5
12	0.018.1329.3	1	tube
13	2.0112.315.2	2	screw m 10 p.1.5 x 40



9_R8859_33_0-A-001

Agrofarm 420 Profiline -> 25001

Section: H0 - HYDRAULIC AND PNEUMATIC SYSTEM|

Ref.: H0.01.31 (1)

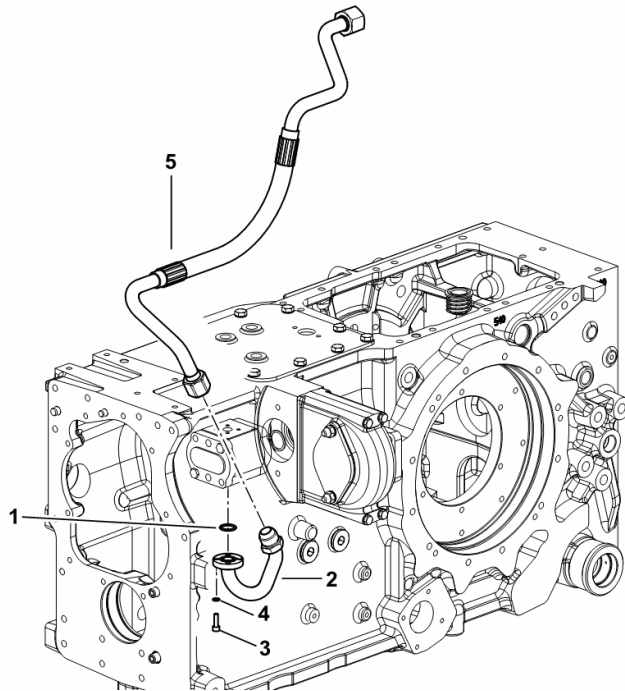
PIPES FROM HYDRAULIC PUMP TO AUXILIARY CONTROL VALVE

Fig.	Code	QTY	Name
------	------	-----	------

Notes:

- FOR TYPES WITHOUT HYDRAULIC TRAILER BRAKING [Agrofarm 420 Profiline -> 25001]

1	2.1531.052.0	1	'o' ring 20.29 x 2.62
2	0.015.1442.3	1	tube
3	2.1480.012.2	4	washer 6, d128
4	2.0312.106.2	4	screw m 6 p.1 x 20
5	0.017.8342.3	1	tube



9 R8882 42 0-A-001

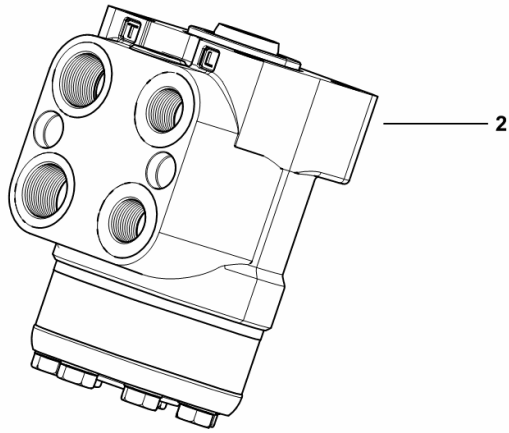
HYDROSTATIC STEERING CONTROL VALVE

Fig.	Code	QTY	Name
------	------	-----	------

Notes:

[Agrofarm 420 Profiline -> 25001]

2	2.4569.011.0	1	hydrosteering
---	--------------	---	---------------



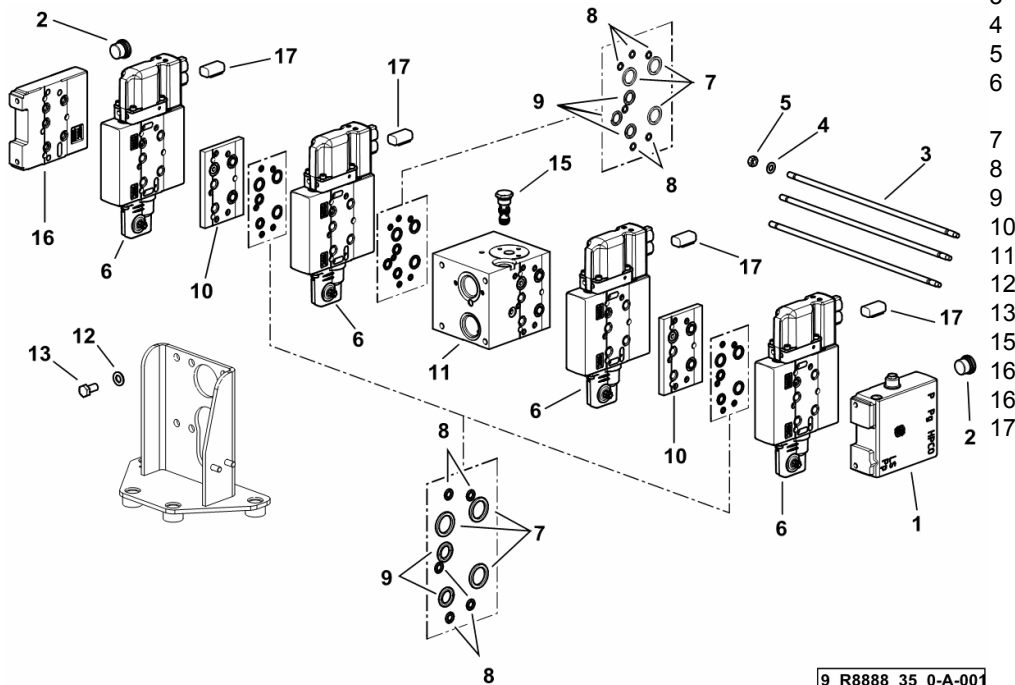
9_R8863_00_0-A-001

8-WAY AUXILIARY DISTRIBUTOR

Fig.	Code	QTY	Name
------	------	-----	------

Notes:

VERSION WITH 2 HYDRAULIC PUMPS [Agrofarm 420 Profiline -> 25001] 25044 <-



1	2.3729.006.0	1	plate (25007 <-)
1	2.3729.006.0/10	1	plate (-> 25004)
2	2.3121.008.2	2	plug
3	2.0439.320.2	3	stud bolt m 8x330
4	2.1475.002.2	3	conical washer 8
5	2.1011.105.2	3	nut m 8 p.1.25
6	2.3729.007.0	4	distributor ☞ 2.3729.007.0
7	2.1532.038.0	9	'o' ring
8	2.1531.009.0	16	'o' ring 5.28x1.78
9	2.1532.024.0	7	'o' ring 10.77x2.62
10	0.017.7703.0	2	spacer
11	0.017.7701.3	1	link
12	2.1475.003.2	4	washer 10
13	2.0112.307.2	4	screw m 10 p.1.5 x 20
15	2.3729.686.0	1	valve
16	2.3729.008.0	1	plate (25007 <-)
16	2.3729.008.0/10	1	plate (-> 25004)
17	2.6039.515.0	4	plug

Agrofarm 420 Profiline -> 25001

Section: H0 - HYDRAULIC AND PNEUMATIC SYSTEM|

Ref.: H0.07.7 (1)

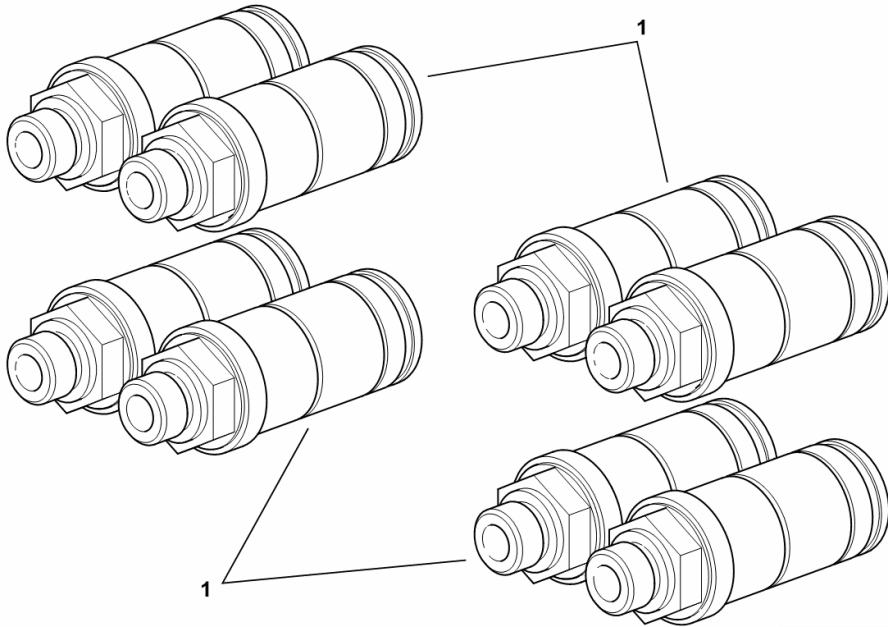
8-WAY QUICK COUPLERS

Fig.	Code	QTY	Name
------	------	-----	------

Notes:

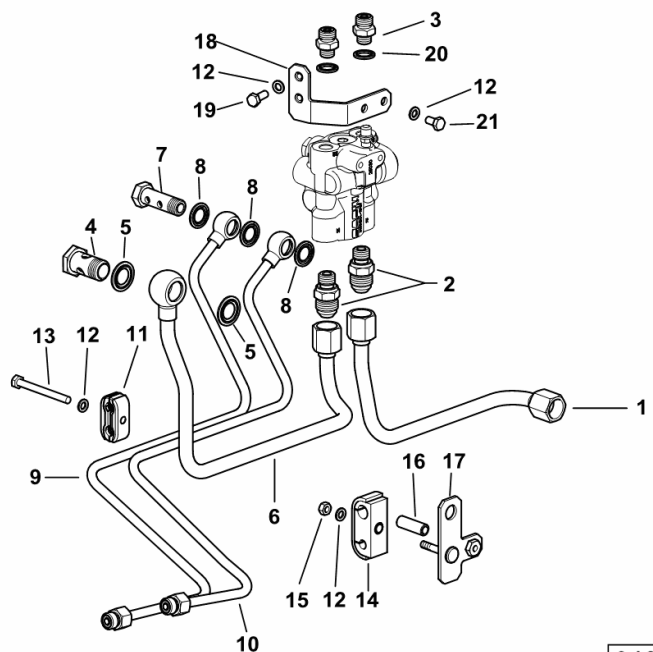
- FOR TYPES WITH 8-WAY REMOTE CONTROL VALVE + FRONT LIFT [Agrofarm 420 Profiline -> 25001] - FOR TYPES WITH 8-WAY AUXILIARY SERVICES CONTROL VALVE [Agrofarm 420 Profiline -> 25001]

1	0.010.8473.0	8	coupling m 22 p.1.5 / Ø 38 ☞ 0.010.8473.0
---	--------------	---	----------------------------------------------



9_R8888_36_0-A-001

FRONT BRAKING SYSTEM



9_L8066_21_0-A-001

Fig.	Code	QTY	Name
------	------	-----	------

Notes:

[Agrofarm 420 Profiline -> 25001]

1	0.015.7601.3/10	1	tube
2	2.3249.186.2	2	pipe fitting m 14 - 3/4" JIC
3	2.3249.203.2	2	pipe fitting
4	2.3335.008.2	1	pipe union m 18 p.1.5 x 32
5	2.1561.110.0	2	'o' ring Ø 18 -B-
6	0.015.7600.3/10	1	tube
7	2.3339.280.2	1	pipe union m 14 p.1.5X42
8	2.1561.107.0	3	'o' ring Ø 14 -B-
9	0.015.7599.3	1	tube
10	0.015.7598.3	1	tube
11	2.3321.004.0	1	terminal 8-8
12	2.1470.002.2	6	washer 6, d128
13	2.0112.021.2	1	screw m 6 p.1 x 60
14	2.3320.304.0	1	clamp
15	2.1011.103.2	1	nut m 6 p.1
16	2.1549.001.2	1	spacer
17	0.015.7595.3	1	bracket
18	0.015.7596.3/10	1	bracket
19	2.0112.005.2	2	screw m 6 p.1 x 16
20	2.1561.006.0	2	'o' ring 12
21	2.0112.003.2	2	screw m 6 p.1 x 12

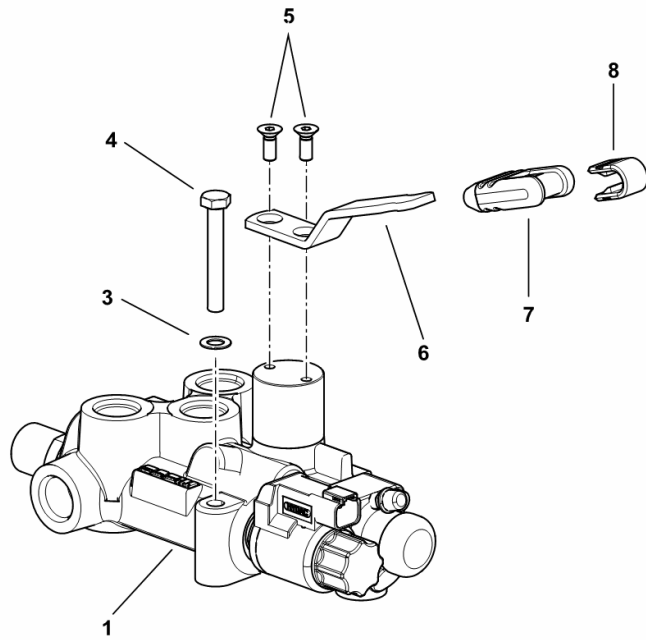
HYDRAULIC BREAKING FOR TRAILER - ITALY -

Fig.	Code	QTY	Name
------	------	-----	------

Notes:

[Agrofarm 420 Profiline -> 25001]

1	2.3729.714.0/30	1	valve
3	2.1470.004.2	1	washer 8
4	2.0112.220.2	1	screw m 8 p.1.25x55
5	2.0342.203.6	2	screw m 6 p.1.0 x 16
6	0.018.0680.0	1	lever
7	0.007.5561.0	1	knob
8	0.007.5562.0	1	coupling



9_R8889_10_0-A-001

Agrofarm 420 Profiline -> 25001

Section: H0 - HYDRAULIC AND PNEUMATIC SYSTEM|

Ref.: H0.09.20 (1)

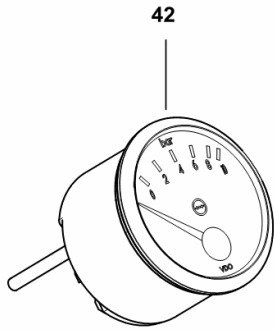
PRESSURE GAUGE FOR AIR BRAKING SYSTEM EXPORT D

Fig.	Code	QTY	Name
------	------	-----	------

Notes:

[Agrofarm 420 Profiline -> 25001]

42	0.011.9433.0	1	air gauge 10 bar
----	--------------	---	------------------



9_R8589_21_0-D-001

Agrofarm 420 Profiline -> 25001

Section: H0 - HYDRAULIC AND PNEUMATIC SYSTEM|

Ref.: H0.10.4 (1)

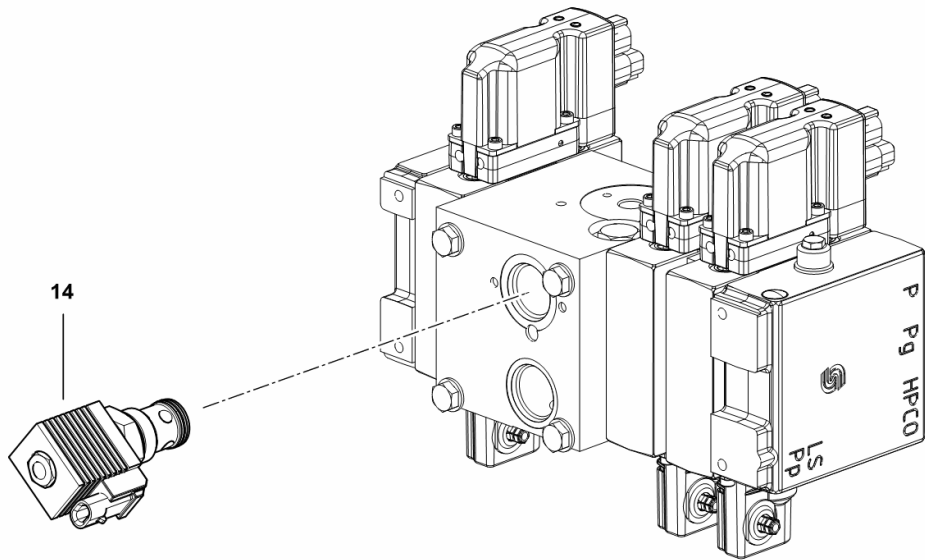
SOLENOID VALVE FOR 6-WAY REMOTE CONTROL VALVE

Fig.	Code	QTY	Name
------	------	-----	------

Notes:

[Agrofarm 420 Profiline -> 25001]

14	2.3729.009.0	1	electro valve
----	--------------	---	---------------



9_R8888_25_0-B-001

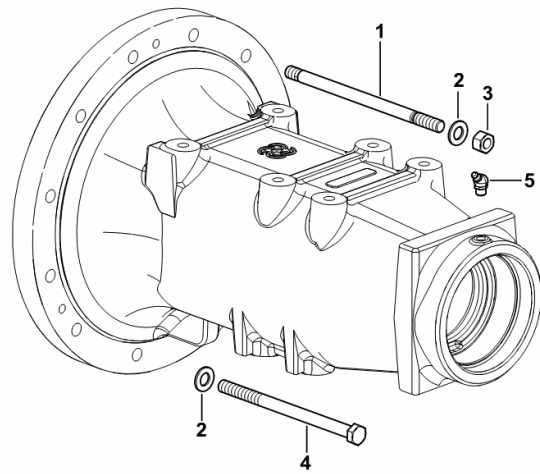
REAR AXLE - MOUNTINGS

Fig.	Code	QTY	Name
------	------	-----	------

Notes:

[Agrofarm 420 Profiline -> 25001]

1	2.0422.434.7	10	stud bolt m 12 p.1.75x190
2	2.1475.004.7	24	washer 13 x 24
3	2.1011.107.2	10	nut m 12 p.1.75
4	2.0112.444.2	14	screw m 12 p.1.75x180
5	2.3821.103.2	2	lubricator m 10 p.1



9_J1544_31_0-A-001

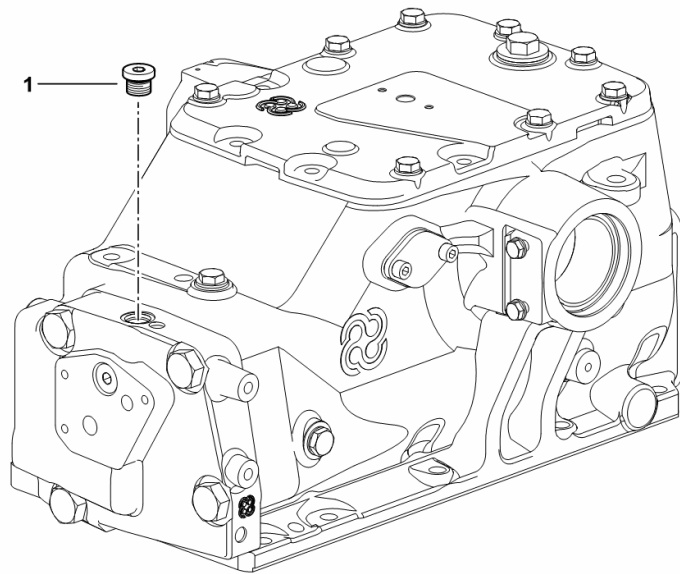
PLUG

Fig.	Code	QTY	Name
------	------	-----	------

Notes:

- FOR TYPES WITHOUT HYDRAULIC CYLINDERS [Agrofarm 420 Profiline -> 25001]

1	2.3121.006.2	1	plug m 18 x 1,5
---	--------------	---	-----------------



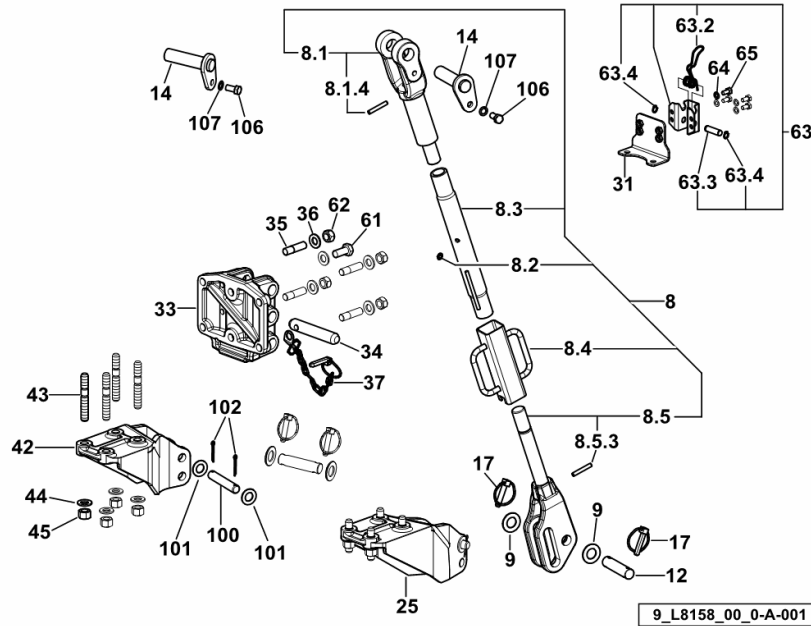
9_S9359_23_0-A-001

3-POINT LINKAGE - ADJUSTABLE MECHANICAL TIE ROD

Fig.	Code	QTY	Name
------	------	-----	------

Notes:

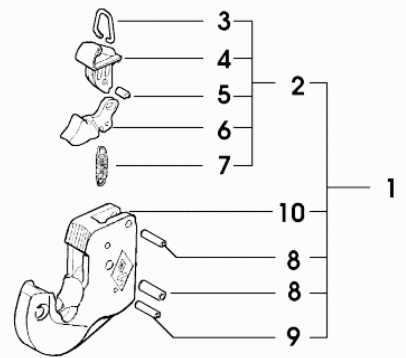
- FOR TYPES WITH FRONT LOADER [Agrofarm 420 Profiline -> 25001]



8	0.010.4772.4/20	1	rod
8.1	0.010.4773.3/10	1	rod
8.1.4	2.1630.717.2	1	roll pin 8 x 50
8.2	2.3820.105.2	1	lubricator m 10 p.1 x 7
8.3	0.010.4029.2/10	1	sleeve
8.4	0.010.4363.2/10	1	grip
8.5	0.010.4030.3/10	1	rod
8.5.3	2.1630.717.2	1	roll pin 8 x 50
9	2.1599.678.2	4	washer 25x45x3
12	2.1669.014.2/10	2	pin 24 x 103
14	0.009.3144.2/10	2	pin
17	0.010.9322.4	4	pin Ø 11
25	0.010.6421.0/40	1	bracket sx/lh/li
31	0.015.2111.3	1	bracket
33	0.760.4510.0/20	1	flange
34	0.96035.12.0	1	piston pin
35	2.0432.411.7	4	stud bolt m 16 p.2-1.5x40
36	2.1475.006.2	5	washer 16
37	0.96001.70.3	1	pin
42	0.010.6420.0/40	1	bracket dx/rh/re
43	2.0439.278.2	8	stud bolt m 16 p.1.5x80
44	2.1475.006.2	8	washer 16
45	2.1011.409.2	8	nut m 16 p.1.5
61	2.0112.613.2	1	screw m 16 p.2x35
62	2.1011.409.2	4	nut m 16 p.1.5
63	0.009.3492.4/40	1	stop
63.2	2.4099.088.2/10	1	spring
63.3	2.1699.386.2	1	pin 12x42
63.4	2.1410.002.1	2	circlip 12
64	2.1470.004.2	4	washer 8
65	2.0112.205.2	4	screw m 8 p.1.25 x 16
100	2.1669.001.0	2	pin 19x110x98
101	2.1310.013.2	4	flat washer 21x37
102	2.1690.513.2	4	split pin 5 x 36
106	2.0112.409.2	2	screw m 12 p.1.75 x 25
107	2.1470.007.2	2	lock washer 12

TOWING HITCH

Fig.	Code	QTY	Name
1	0.010.1702.3	1	automatic hook 2 cat.- WALTERSCHEID
2	0.010.2190.0	1	support
3	0.010.2191.0	1	stop
4	0.010.2192.0	1	support
5	0.010.2193.0	1	pin
6	0.010.2194.0	1	lever
7	0.010.2195.0	1	spring
8	0.009.4677.1	2	pin 10x32
9	0.009.4677.2	1	pin 6 x 28
10	0.000.0000.1	0	not serviceable



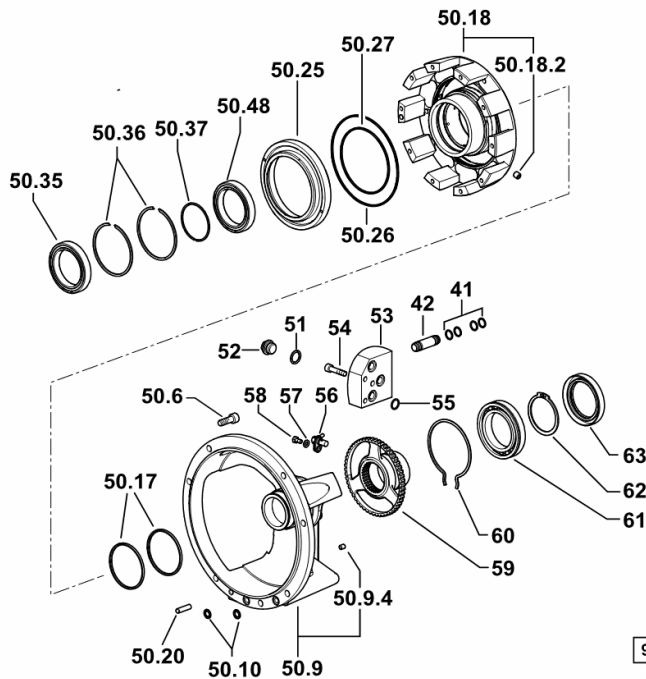
010_1702_3

HYDRAULIC SHUTTLE

Fig.	Code	QTY	Name
------	------	-----	------

Notes:

[Agrofarm 420 Profiline -> 25001]



9_H1532_00_0-B-002

41	2.1532.035.0	12	'o' ring 14x1.78
42	0.014.9808.0	3	tube
50.6	2.0312.310.2	7	screw m 10 p.1.5 x 30
50.9	0.015.0170.3	1	support
50.9.4	2.0512.102.7	4	screw m 6 p.1 x 8
50.10	2.1532.024.0	2	'o' ring 10.77x2.62
50.17	2.1499.254.0	4	ring 82
50.18	0.014.9927.3/20	1	box
50.18.2	2.0512.202.7	2	screw m 8 p.1.25 x 8
50.20	2.1655.410.0	2	pin 8x32
50.25	0.014.9892.0	2	piston
50.26	2.1539.236.0	2	'o' ring
50.27	2.1539.230.0/10	2	'o' ring
50.35	2.2012.014.0	1	bearing
50.36	2.1429.074.7	2	circlip
50.37	2.1422.039.7	1	circlip 62.6x2.3
50.48	2.2010.014.0	1	ball bearing
51	2.1560.014.0	1	gasket 18.2 x 24 x 1.5
52	2.7099.996.0	1	sensor
52	2.3110.405.2	1	plug m 18 p.1.5 x 15
53	0.014.9807.0	1	small block
54	2.0312.212.2	3	screw m 8 p.1.25 x 35
55	2.1539.142.0	3	'o' ring 15.54x2.62
56	2.7099.999.0	1	speed sensor
57	2.1310.002.2	1	washer 6.6, d125
58	2.0112.003.2	1	screw m 6 p.1 x 12
59	0.014.9596.0	1	gear wheel
60	2.1499.242.7	1	circlip
61	2.2044.010.0	1	ball bearing
62	2.1410.026.7	1	circlip
63	2.1529.024.0	1	'o' ring 65x90x13

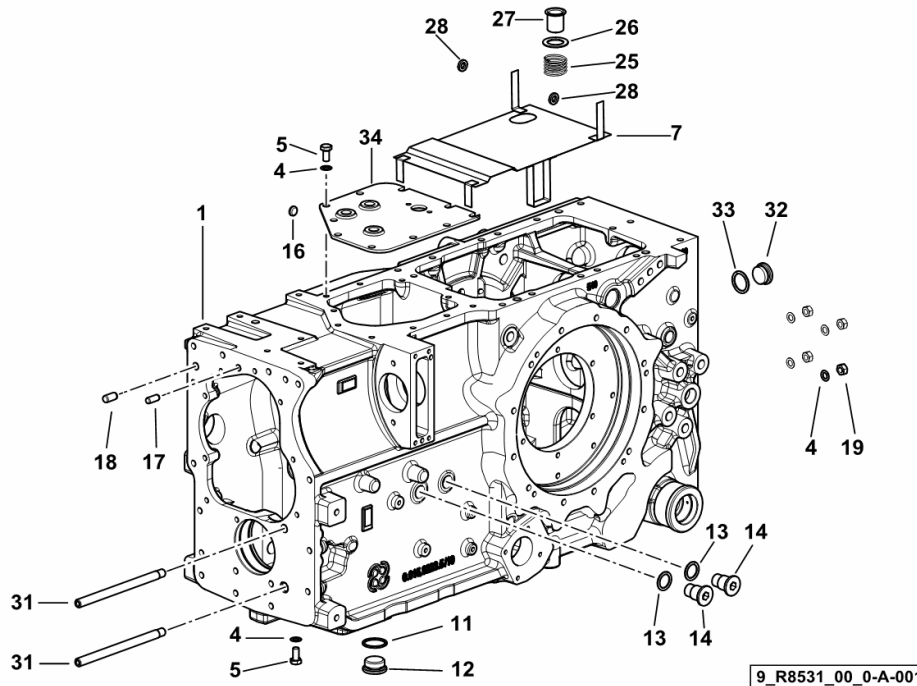
REAR GEARBOX CASE

Fig.	Code	QTY	Name
------	------	-----	------

Notes:

[Agrofarm 420 Profiline -> 25001]

1	0.015.9223.3	1	gear box
4	2.1470.006.2	4	lock washer 10
5	2.0112.307.2	5	screw m 10 p.1.5 x 20
7	0.014.9614.2	1	division
11	2.1560.026.0	1	gasket 35.3x41
12	2.3199.002.2	1	plug 1 gas
13	2.1560.020.0	2	gasket 24.3x32
14	2.3199.083.2	2	plug m 24 p.1.5
16	2.3171.006.4	1	plug Ø 16
17	2.1651.811.0	1	cylindrical plug 10x24
18	2.1651.911.0	1	cylindrical plug 12 x 24
19	2.1011.421.2	4	nut m 10 p.1.25
25	2.4019.609.2	1	spring 33x38x2.5x40
26	2.1549.231.2	1	spacer
27	0.009.6671.0	1	tube
28	2.1599.210.0/10	2	spacer 10.5x19x4
31	0.445.5450.0	2	small column
32	2.3139.023.2	1	plug
33	2.1560.024.0	1	gasket 30.3x38
34	0.015.6296.3	1	cover

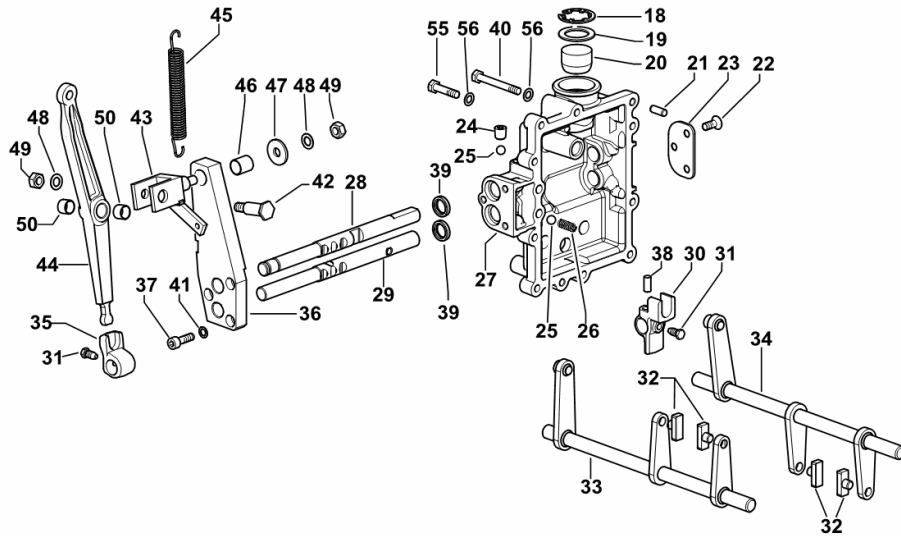


REDUCTION GEAR CONTROL

Fig.	Code	QTY	Name
------	------	-----	------

Notes:

[Agrofarm 420 Profiline -> 25001]



9_H1334_00_0-B-001

18	2.1499.054.1	1	circlip 42
19	2.1599.429.0	1	snoulder 28x41.5
20	0.007.2631.0	1	plug
21	2.1651.709.0	2	pin 8x20
22	2.0342.305.3	3	screw m 8 p 1.25 x 20
23	0.013.5465.0/10	1	plate
24	2.3131.001.4	1	plug m 12 p.1.5
25	2.1699.159.0	3	cap 10 x 14.1
26	2.4019.622.1	2	spring 6.3 x 9.5 x 1.6 x 22.4
27	0.013.5466.0	1	cover
28	0.013.5360.0/50	1	rod mm 249.5
29	0.013.5361.0/40	1	rod mm 251
30	0.013.5458.0	1	small lever
31	2.0399.019.1	2	screw m 8 p.1 x 16
32	0.255.6463.0	4	shoe
33	0.014.8304.2/10	1	fork
34	0.014.8303.2/20	1	fork
35	0.008.4316.0/40	1	hub
36	0.013.5462.0/10	1	support
37	2.0312.208.2	3	screw m 8 p.1.25 x 25
38	2.1699.267.0	1	pin 8x18
39	2.1519.078.0	2	'o' ring 16 x 24 x 6
40	2.0112.222.2	1	screw m 8 p.1.25x65
41	2.1480.014.1	3	washer 8
42	0.009.9957.0	1	pin
43	0.009.9858.2/20	1	fork
44	0.014.8087.0	1	brake lever
45	2.4049.025.2	1	spring 17.1x116x2.1
46	2.1555.309.0	1	bushing 16x18x20
47	2.1579.520.2	1	washer 10.5x30x3
48	2.1470.006.2	1	lock washer 10
49	2.1011.106.2	2	nut m 10 p.1.5
50	2.1555.107.0	2	bushing 14x16x12
55	2.0112.213.2	8	screw m 8 p.1.25 x 35
56	2.1481.007.2	9	washer 8

P.T.O. - CLUTCH-PARTS

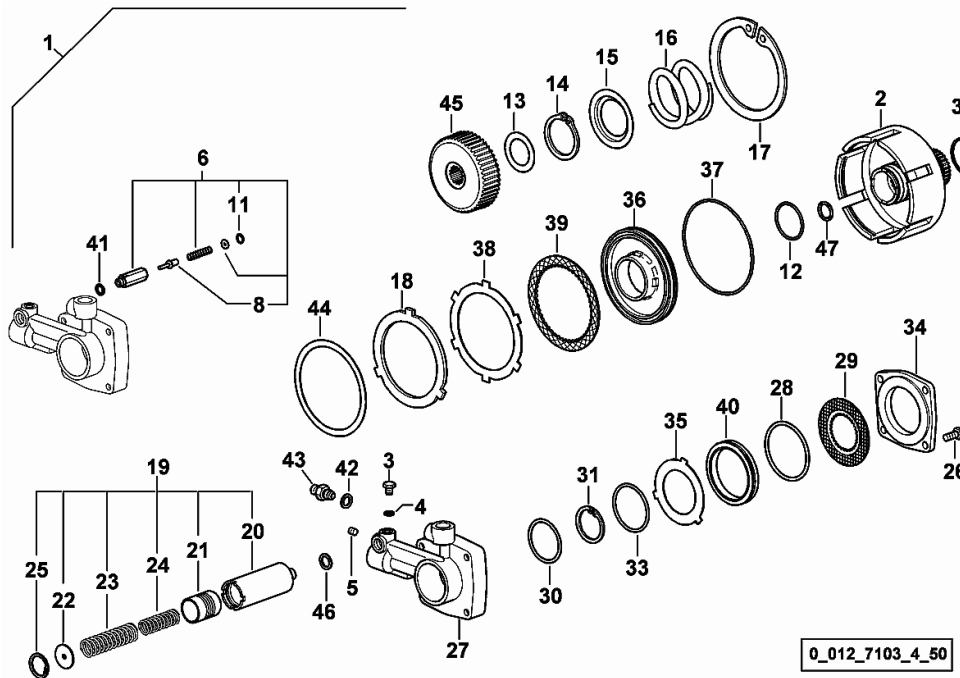


Fig.	Code	QTY	Name
1	0.012.7103.4/50	1	hydraulic pto clutch
2	0.008.4043.0/40	1	box
3	2.3110.428.1	1	plug m 8 p.1 x 10
4	2.1560.003.0	1	gasket 8.2 x 12
5	2.0512.202.7	1	screw m 8 p.1.25 x 8
6	0.009.2445.4/20	1	valve
8	0.009.2411.0/20	1	slider
11	2.1411.002.1	1	circlip
12	2.1539.067.0	1	'o' ring 44.12x2.72
13	2.1599.415.0	1	snoulder 35x52x1
14	2.1419.027.1	1	circlip 48
15	0.255.3933.0	1	disc
16	2.4019.373.1	1	spring 79.5x61.5x6.5
17	2.1419.035.1	1	circlip 127
18	0.255.3969.0/10	1	disc
19	0.010.0526.4/10	1	accumulator P.T.O.
20	0.010.0526.0	1	cylinder
21	0.010.0525.0	1	piston
22	2.1599.241.0	1	snoulder 6.0 x 31 x 2.0
23	2.4019.636.1	1	spring 20.8 x 27.2 x 3.2 x 86.5
24	2.4019.638.1	1	spring 14.2 x 19.4 x 2.6 x 58
25	2.1411.013.7	1	circlip Ø 32
26	2.0342.305.2	4	screw m 8 p.1.25 x 20
27	0.008.3063.0/40	1	distributor
28	2.1532.505.0	1	'o' ring 77.50 x 2.62
29	0.014.0360.2	1	disc
30	2.1599.416.0	1	snoulder 50x58x1
31	2.1419.027.1	1	circlip 48
32	2.1569.109.0/10	3	gasket 46 x 50 x 2.0
33	2.1532.150.0	1	'o' ring 61.60x2.62
34	0.255.3926.0/10	1	cover
35	0.013.8983.0	1	disc
36	0.255.3938.0/40	1	piston
37	2.1539.064.0	1	'o' ring 120.33x2.62
38	0.013.9453.0	5	disc
39	0.255.3970.2/10	5	disc
40	0.255.3922.0/40	1	piston D 84
41	2.1560.005.0	1	gasket 10.2 x 14
42	2.1560.008.0	1	gasket 12.2 x 18
43	2.3339.453.2	1	pipe fitting m 12 p.1.25-1/2"
44	2.1599.499.0	1	snoulder 110 x 126.5 x 1.2
45	0.008.8806.0/20	1	hub
46	2.1560.010.0	1	gasket 14.2 x 20 x 1.5
47	2.1530.062.0	1	'o' ring 23.81 x 2.62

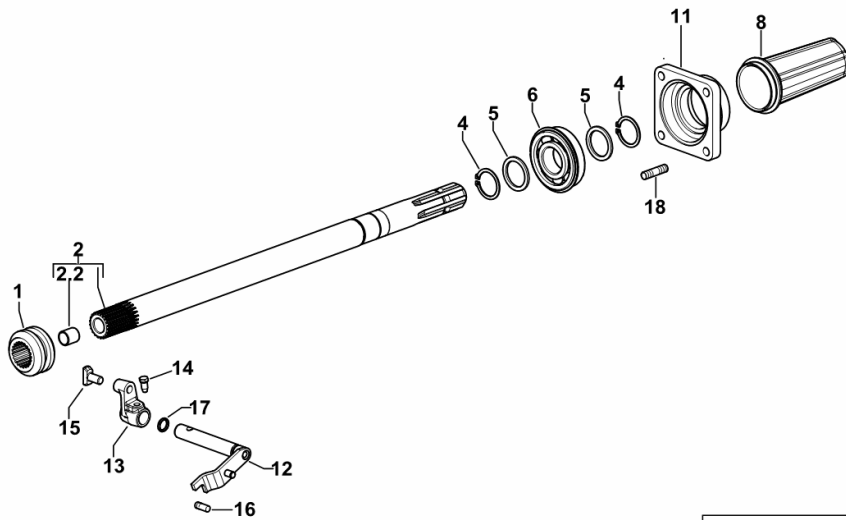
P.T.O. - SYNCHRONIZED

Fig.	Code	QTY	Name
------	------	-----	------

Notes:

- EXPORT U.S.A. [Agrofarm 420 Profiline -> 25001]

1	0.008.4617.0	1	sleeve
2	0.011.0782.3	1	p.t.o.shaft
2.2	2.1559.023.0/10	1	bushing 15.8x19x20
4	2.1410.014.1	2	circlip 35
5	2.1599.874.0	2	washer 35 x 45 x 3.0
6	2.2062.011.0	1	ball bearing 35 x 80 x 21
8	0.011.0788.0	1	guard
11	0.008.4062.0/10	1	cover
12	0.008.0260.2/40	1	lever
13	0.255.3470.0	1	lever
14	2.0399.019.1	1	screw m 8 p.1 x 16
15	0.001.5945.0/10	1	shoe
16	2.0439.002.1	2	stud bolt m 8 p.1.25 x 20
17	2.1530.033.0	1	'o' ring 13.10x2.62
18	2.0432.155.7	4	stud bolt m 10 p.1.5 / p. 1.25 x 25



9_J1536_03_0-A-001

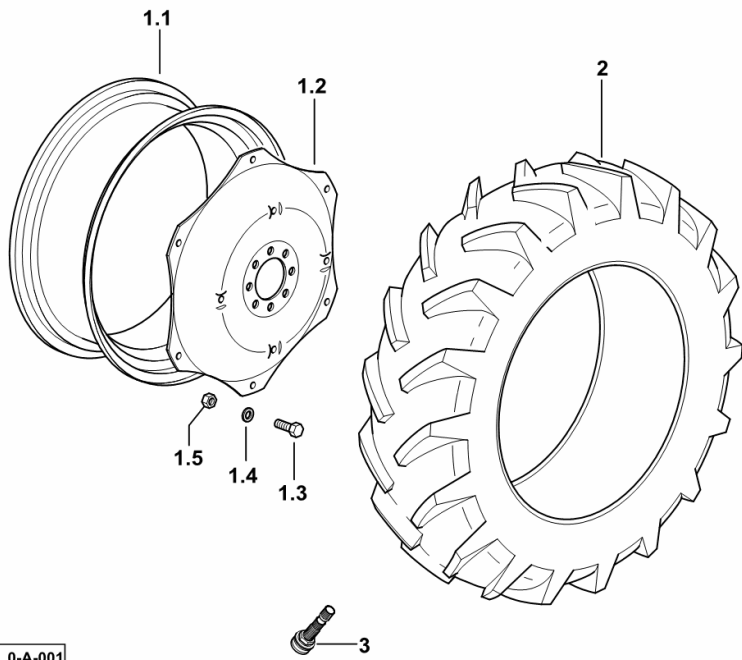
WHEELS 380/85R24"(14.9R24")

Fig.	Code	QTY	Name
------	------	-----	------

Notes:

[Agrofarm 420 Profiline -> 25001]

1.1	0.012.8987.3	1	rim W 13x24" C/ST.
1.2	0.010.9752.0	1	flange 24"
1.3	2.0099.005.6	6	screw m 16 p.1.5 x 38
1.4	2.1499.019.6	6	washer 16.3 x 31.5
1.5	2.1019.059.6	6	nut m 16 p.1.5 x 16
2	2.4811.072.0	2	tyre 380/85R24"(14.9R24")
3	0.012.6364.0	2	valve



9_77855_25_0-A-001

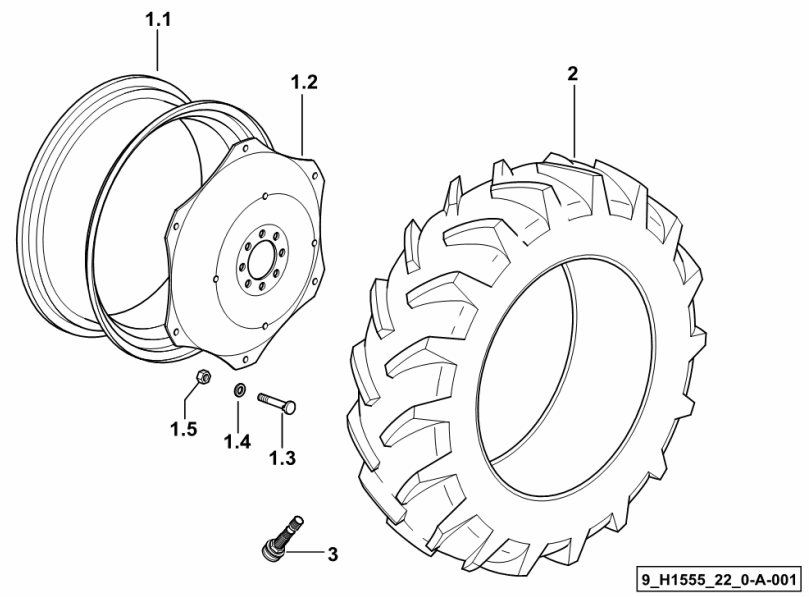
Section: S0 - WHEELS
WHEELS 440/65R-28" a8

Fig.	Code	QTY	Name
------	------	-----	------

Notes:

[Agrofarm 420 Profiline -> 25001]

1.1	0.012.3040.3	1	rim W 14Lx28" C/ST
1.2	0.255.5559.0/20	1	rim center flange 28"
1.3	2.0399.204.6/10	6	screw m 18 p.1.5x80
1.4	2.1499.018.6	6	conical washer 18 x 35.5
1.5	2.1019.060.6	6	nut m 18 p.1.5
2	2.4811.157.0	2	tyre 440/65R28"
3	0.012.6364.0	2	valve



CLICK HERE TO **DOWNLOAD** THE COMPLETE MANUAL

- Thank you very much for reading the preview of the manual.
- You can download the complete manual from: www.heydownloads.com by clicking the link below



- Please note: If there is no response to CLICKING the link, please download this PDF first and then click on it.

CLICK HERE TO **DOWNLOAD** THE COMPLETE MANUAL