

Agrofarm 100

V0 - BALLAST, TOWING HITCHES

FRONT HITCHES

FRONT TOWING HITCH.....	V0.01.0 (1)
FRONT TOWING HITCH.....	V0.01.1 (1)

REAR HITCHES

REAR GEARBOX BRACKETS.....	V0.02.1 (1)
REAR GEARBOX BRACKETS.....	V0.02.2 (1)
REAR TOWING HITCH.....	V0.02.6 (1)
REAR TOWING HITCH.....	V0.02.7 (1)
REAR TOWING HITCH.....	V0.02.9 (2)
REAR TOWING HITCH.....	V0.02.10 (1)
REAR TOWING HITCH BRACKET.....	V0.02.12 (3)
REAR TOWING HITCH BRACKET.....	V0.02.13 (1)
REAR TOWING HITCH PITON FIX.....	V0.02.15 (1)
REAR TOWING HITCH CAT. " C ".....	V0.02.16 (2)
REAR TOWING HITCH CAT. " D ".....	V0.02.17 (2)
REAR TOWING HITCH CAT. " D2 ".....	V0.02.18 (1)
REAR TOWING HITCH CAT: "D3".....	V0.02.19 (2)
REAR TOWING HITCH CEE.....	V0.02.20 (2)
DRAWBAR COUPLING AUTOM. Ø 38.....	V0.02.21 (2)
REAR TOWING HITCH CEE.....	V0.02.22 (1)
REAR SWINGING TOWING-HITCH.....	V0.02.23 (1)
REAR SWINGING TOWING-HITCH.....	V0.02.24 (1)
REAR SWINGING TOWING-HITCH.....	V0.02.26 (1)
REAR SWINGING TOWING-HITCH.....	V0.02.27 (1)
MECHANICAL PICK-UP-HITCH.....	V0.02.29 (1)
HYDRAULIC PICK-UP-HITCH.....	V0.02.31 (1)
DRAWBAR COUPLING mm 38.....	0.014.4449.3/20.A
DRAWBAR COUPLING mm 38.....	0.014.4449.3/30.A
REAR TOWING HITCH CAT: "C".....	0.014.4450.3.A
REAR TOWING HITCH CAT: "D".....	0.014.4451.3.A
DRAWBAR COUPLING.....	0.014.4453.3/10.A
DRAWBAR COUPLING.....	0.014.4454.3/20.A
DRAWBAR COUPLING.....	0.014.4455.3.A
DRAWBAR COUPLING JH.....	0.014.4457.3.A
CHASSIS.....	0.014.4459.4/10.A
DRAWBAR COUPLING D2.....	0.014.4461.3.A
TRAILER STAND - DRAWBAR COUPLING.....	0.014.4483.3/10.A
CHASSIS.....	0.014.4484.3/10.A
SLIDE mm 320.....	0.014.4485.3.A
HYDRAULIC PICK-UP-HITCH.....	0.015.3374.4/20.A
MECHANICAL PICK-UP-HITCH.....	0.015.4262.4/20.A

CLICK HERE TO **DOWNLOAD** THE COMPLETE MANUAL

- Thank you very much for reading the preview of the manual.
- You can download the complete manual from: www.heydownloads.com by clicking the link below



- Please note: If there is no response to CLICKING the link, please download this PDF first and then click on it.

CLICK HERE TO **DOWNLOAD** THE COMPLETE MANUAL

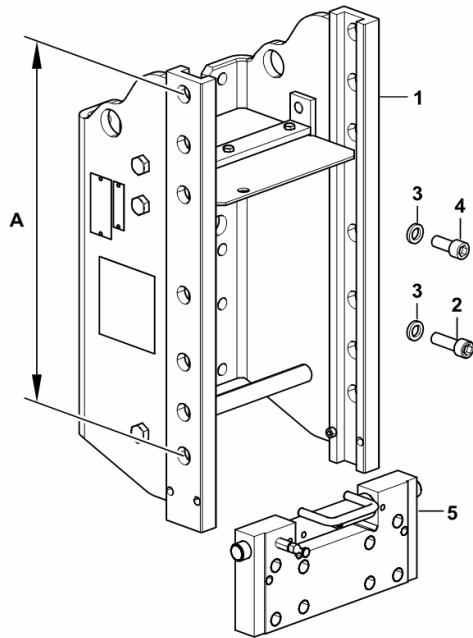
REAR TOWING HITCH BRACKET

Fig.	Code	QTY	Name
------	------	-----	------

Notes:

[Agrofarm 100]

1	0.014.4484.3/10	1	chassis frame - V.ORLANDI - A=540 MM ☞ 0.014.4484.3/10
2	2.0313.616.2	10	screw m 16 p.2x50
3	2.1474.013.2	12	washer 16
4	2.0314.614.2	2	screw m 16 p.2 x 40
5	0.014.4485.3	1	plate - V.ORLANDI - ☞ 0.014.4485.3



9_16431_75_0-A-003

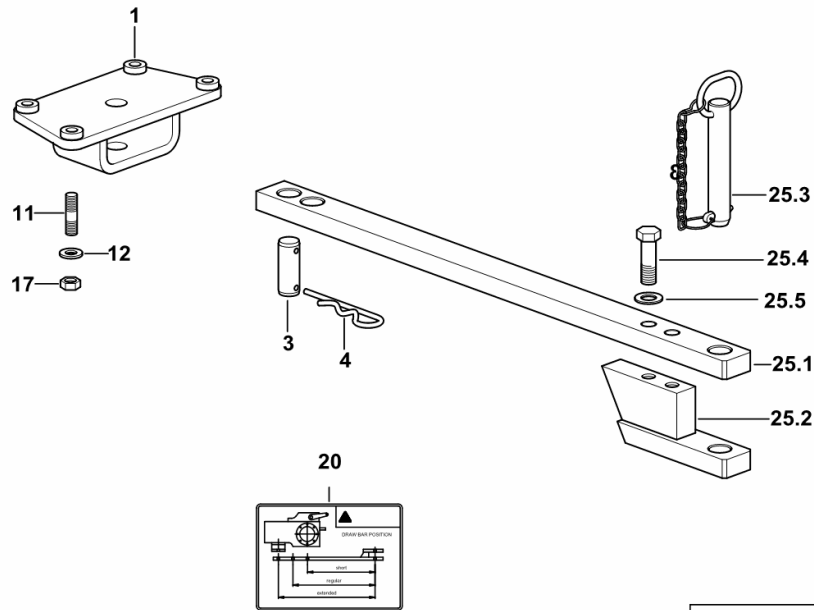
REAR SWINGING TOWING-HITCH

Fig.	Code	QTY	Name
------	------	-----	------

Notes:

- EXPORT F [Agrofarm 100]

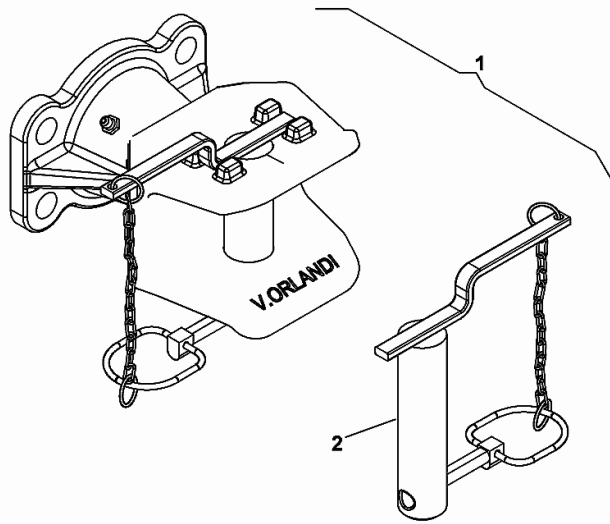
1	0.008.0780.2/10	1	support
3	2.1679.067.2	1	pin 32x85
4	2.1699.072.2	1	pin
11	2.0432.413.7	4	stud bolt m 16 p.2-1.5x45
12	2.1475.006.2	4	washer 16
17	2.1011.409.2	4	nut m 16 p.1.5
20	2.9939.051.0	1	plate
25.1	0.008.0782.0/50	1	draw bar mm 1000
25.2	0.015.2492.3	1	plate
25.3	0.014.9401.3	1	pin
25.4	2.0122.822.2	2	screw m 20 p.1.5x65
25.5	2.1475.108.2	2	spring washer 20



9_C2431_35_0-A-001

DRAWBAR COUPLING

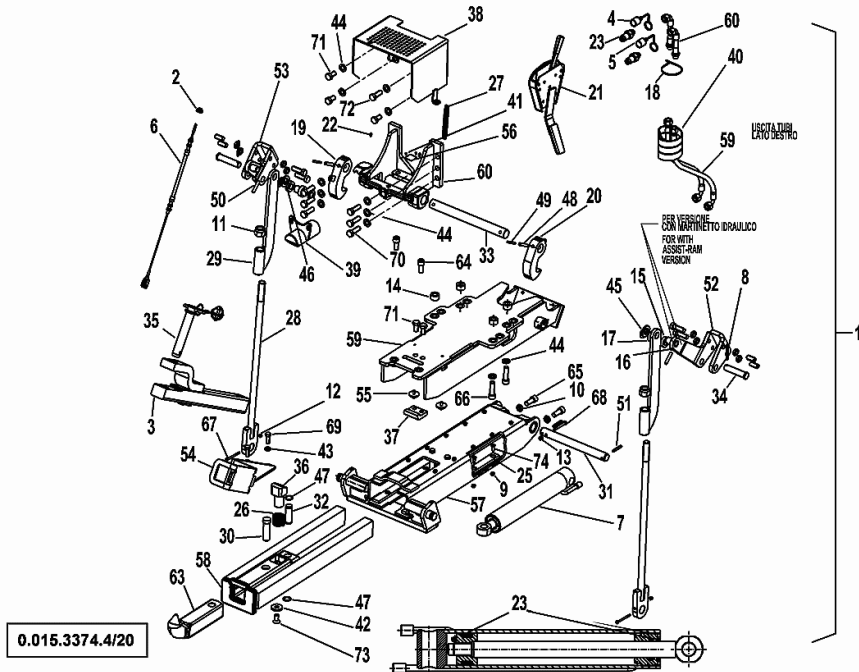
Fig.	Code	QTY	Name
1	0.014.4453.3/10	1	tow hook - V.ORLANDI -
2	0.900.0458.3	1	pin



0.014.4453.3/10

Section: V0 - BALLAST, TOWING HITCHES
HYDRAULIC PICK-UP-HITCH

Fig.	Code	QTY	Name
45	0.010.3112.0	2	washer
46	0.010.3124.0	2	washer
47	0.900.0805.4	2	circlip 25
48	0.900.0510.3	2	pin 10x55
49	0.900.0510.4	2	pin 6x55
50	0.010.3123.2	2	roll pin
51	0.900.0528.6	2	pin 8 x 50
52	0.900.1421.2	1	bracket
53	0.900.1421.3	1	bracket
54	0.900.0529.6	1	support
55	0.900.0528.8	2	stopper
56	0.900.0805.5	1	plate
57	0.900.0805.6	1	chassis frame
58	0.900.0988.5	1	chassis frame
59	0.900.0805.8	1	chassis frame
60	0.900.0805.9	1	chassis frame
61	0.900.0988.9	2	flexible hose
62	0.900.0806.1	2	tube
63	0.900.0511.0	1	ferrule
64	0.900.1421.6	2	screw
65	0.900.0806.3	2	screw m 16 x 40
66	0.900.1421.7	4	screw
67	0.900.0806.2	2	screw m 6 x 80
68	0.900.0511.5	1	screw m 8 x 65
69	0.010.3126.1	2	screw m 12 x 35
70	0.010.3123.0	6	screw m 16 x 50
71	0.010.3107.1	5	screw m 16 x 30
72	0.010.3125.1	1	screw m 16 x 45
73	0.900.0806.4	1	screw m 14 x 30 - 10.9
74	0.900.0806.5	20	screw m 8 x 25



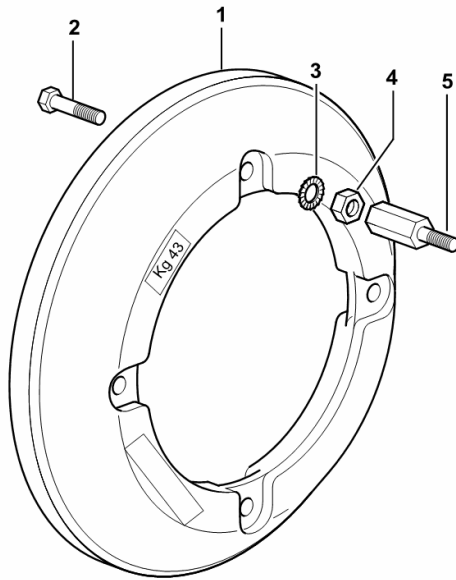
WHEEL BALLAST 172 Kg

Fig.	Code	QTY	Name
------	------	-----	------

Notes:

- FOR 30" / 34" WHEELS [Agrofarm 100]

1	0.135.5540.0/10	4	ballast 43 Kg
2	2.0122.623.2	8	screw m 16 p.1.5x70
3	2.1470.009.2	16	lock washer 16
4	2.1011.309.2	8	nut m 16 p.1.5
5	0.001.8527.0	8	small column



9_40555_90_0-A-001

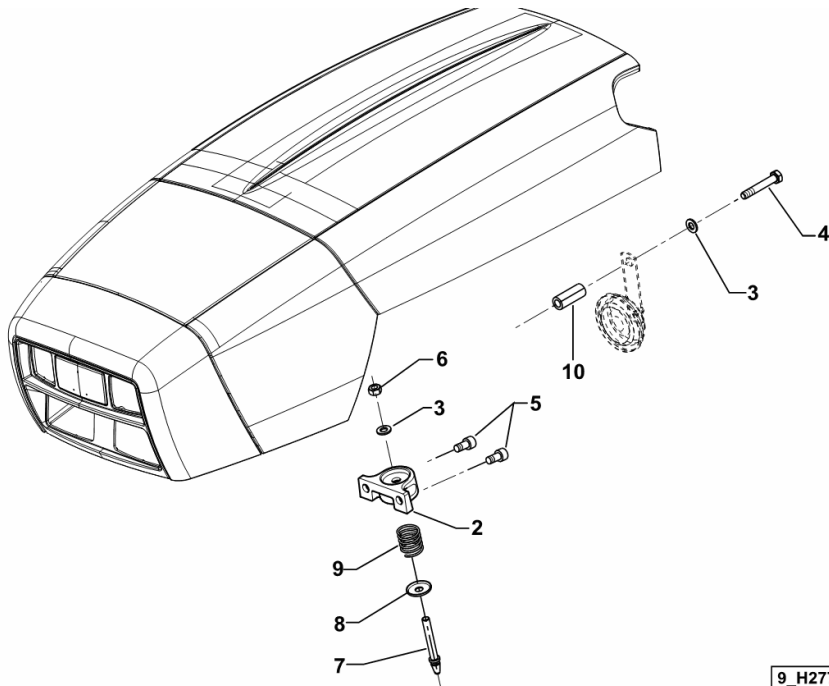
HOOD FASTENER

Fig.	Code	QTY	Name
------	------	-----	------

Notes:

[Agrofarm 100]

2	0.015.0024.3	1	small block
3	2.1310.004.2	2	flat washer 8.5
4	2.0112.219.2	1	screw m 8 p.1.25x50
5	2.0312.204.2	2	screw m 8 p.1.25 x 16
6	2.1011.105.2	1	nut m 8 p.1.25
7	0.017.9058.0	1	pin
8	0.009.7867.0	1	bottom
9	2.4019.804.2	1	spring
10	2.1549.024.2	1	spacer 15x9x37



9_H2772_01_0-B-001

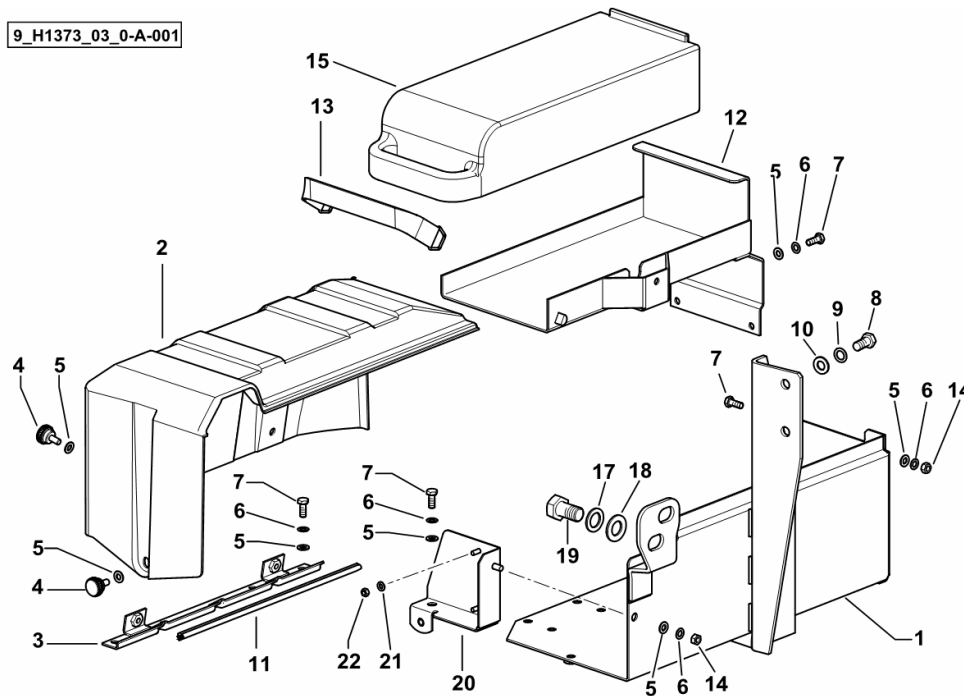
BATTERY SUPPORT

Fig.	Code	QTY	Name
------	------	-----	------

Notes:

- WITH UNDER STEP BATTERY [Agrofarm 100]

9_H1373_03_0-A-001



1	0.014.9379.3/10	1	battery support
2	0.014.9853.0	1	cover
3	0.008.9558.3	1	crosspiece
4	0.008.9024.2/10	3	knob
5	2.1310.004.2	12	flat washer 8.5
6	2.1470.004.2	9	washer 8
7	2.0112.207.2	8	screw m 8 p 1.25 x 20
8	2.0112.413.2	2	screw m 12 p.1.75x35
9	2.1470.007.2	2	lock washer 12
10	2.1310.007.2	2	flat washer 13.5
11	0.009.1354.0/10	1	gasket mm 360
12	0.011.0029.2	1	support
13	0.011.0073.2/10	1	rod
14	2.1011.105.2	2	nut m 8 p.1.25
15	04422635.4	1	metal toolbox
17	2.1470.011.2	1	washer 20
18	2.1310.013.2	1	flat washer 21x37
19	2.0112.813.2	1	screw m 20x35
20	0.014.9726.3/10	1	bracket
21	2.1310.002.2	2	washer 6.6, d125
22	2.1011.103.2	2	nut m 6 p.1

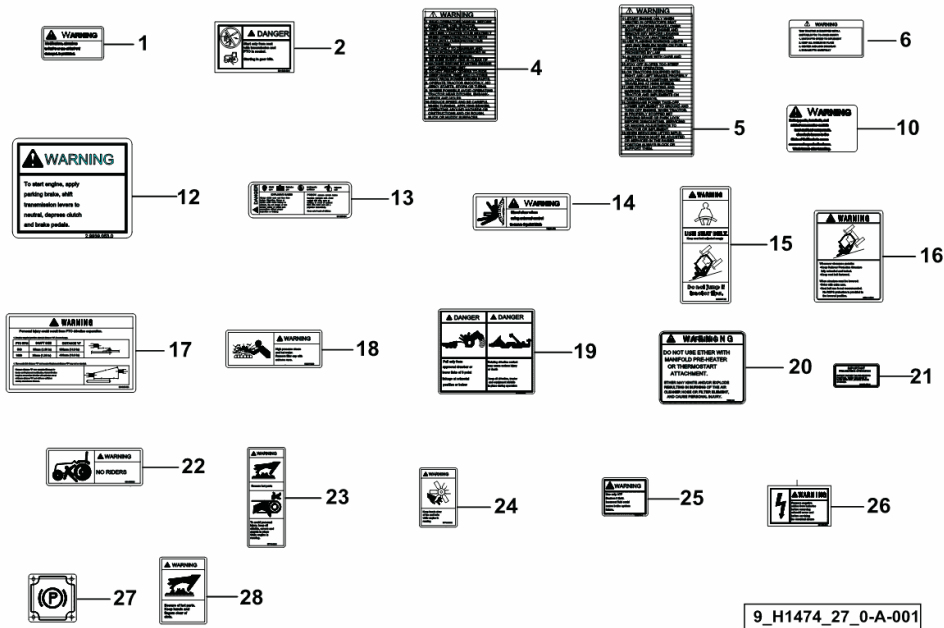
PLATES

Fig.	Code	QTY	Name
------	------	-----	------

Notes:

- EXPORT U.S.A. [Agrofarm 100]

1	2.9929.699.0/10	1	plate
2	2.9929.854.0	1	plate
4	2.9929.289.0/10	1	plate
5	2.9929.887.0	1	plate
6	2.9929.281.0/10	1	plate
10	2.9929.754.0	1	plate
12	2.9939.053.0/20	1	plate
13	2.9929.862.0	1	plate
14	2.9929.282.0/20	2	plate
15	2.9929.857.0	1	plate
16	2.9929.858.0	1	plate
17	2.9929.855.0/20	1	plate
18	2.9929.792.0	1	plate
19	2.9929.856.0	1	plate
20	2.9929.544.0/10	1	plate
21	2.9929.852.0/10	1	plate
22	2.9929.793.0	1	plate
23	2.9929.791.0	2	plate
24	2.9929.794.0	2	plate
25	2.9929.861.0	1	plate
26	2.9929.860.0	1	plate
27	2.9929.702.0/10	1	plate
28	2.9929.847.0	1	plate



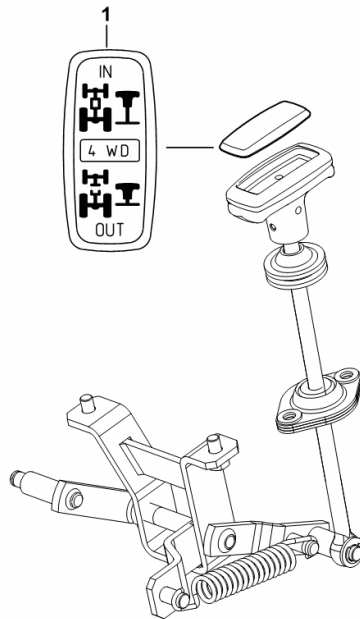
9_H1474_27_0-A-001

Section: G0 - BODYWORK - CAB
4WD ENGAGEMENT COVER

Fig.	Code	QTY	Name
------	------	-----	------

Notes:
 [Agrofarm 100]

1	0.014.2031.0	1	cap
---	--------------	---	-----



9_H1368_12_0-B-001

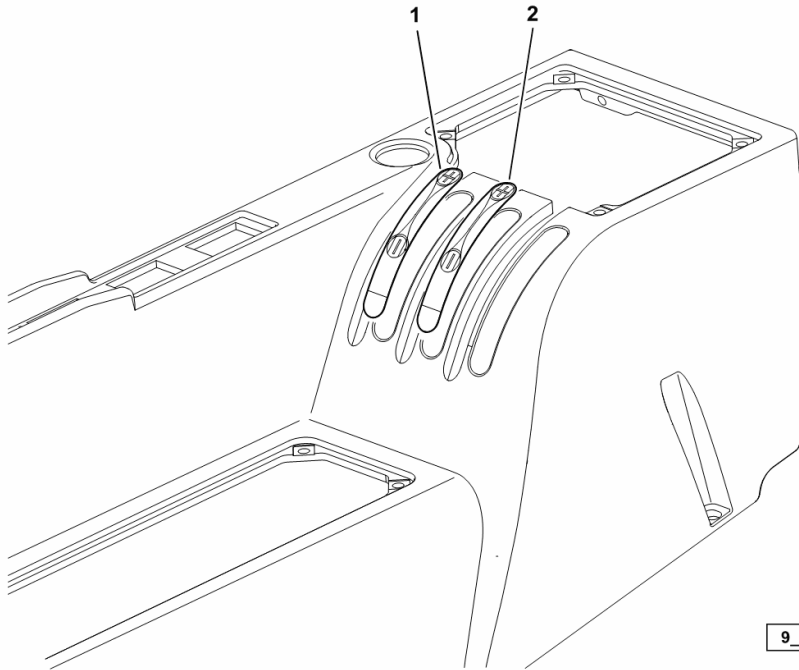
PLATES- FOR 4-WAY DISTRIBUTOR

Fig.	Code	QTY	Name
------	------	-----	------

Notes:

[Agrofarm 100]

1	2.9939.240.0/10	1	plate (- +) - YELLOW
2	2.9939.241.0/10	1	plate (- +) - RED

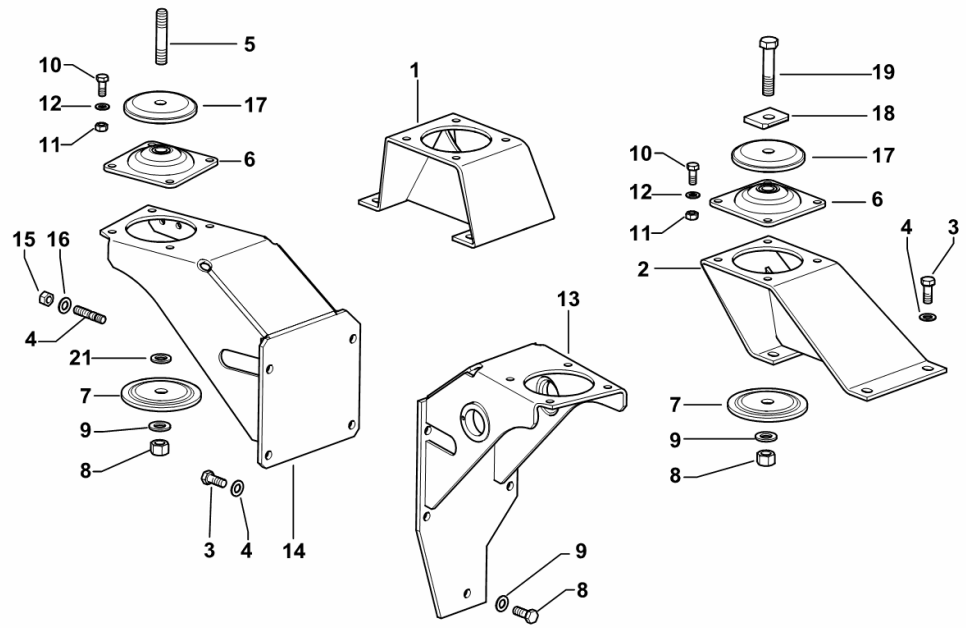


9_H1288_18_0-A-001

SUPPORTS

Fig.	Code	QTY	Name
------	------	-----	------

Notes:
[Agrofarm 100]



1	0.010.6916.2/20	1	bracket dx/rh/re
2	0.010.6915.2/20	1	bracket sx/lh/li
3	2.0113.411.2	15	screw m 12 x 30
4	2.1475.004.2	16	washer 12
5	2.0439.236.2/10	2	screw m 16 p.1.5 x 92
6	04411234	4	silent-block
7	0.010.7742.0/10	4	cap-washer
8	2.1011.309.2	4	nut m 16 p.1.5
9	2.1475.006.2	4	washer 16
10	2.0112.309.2	16	screw m 10 p.1.5 x 25
11	2.1011.106.2	16	nut m 10 p.1.5
12	2.1475.003.2	16	washer 10
13	0.013.5799.3	1	support sx/lh/li
14	0.014.9395.3/20	1	support dx/rh/re
15	2.1011.107.2	1	nut m 12 p.1.75
16	2.0422.411.2	1	stud bolt m 12 x 40
17	0.013.0871.0	4	cap-washer
18	0.010.8634.0/10	2	small plate
19	2.0123.625.2	2	screw m 16 p.1.5x80
21	2.1310.010.2	2	flat washer 16

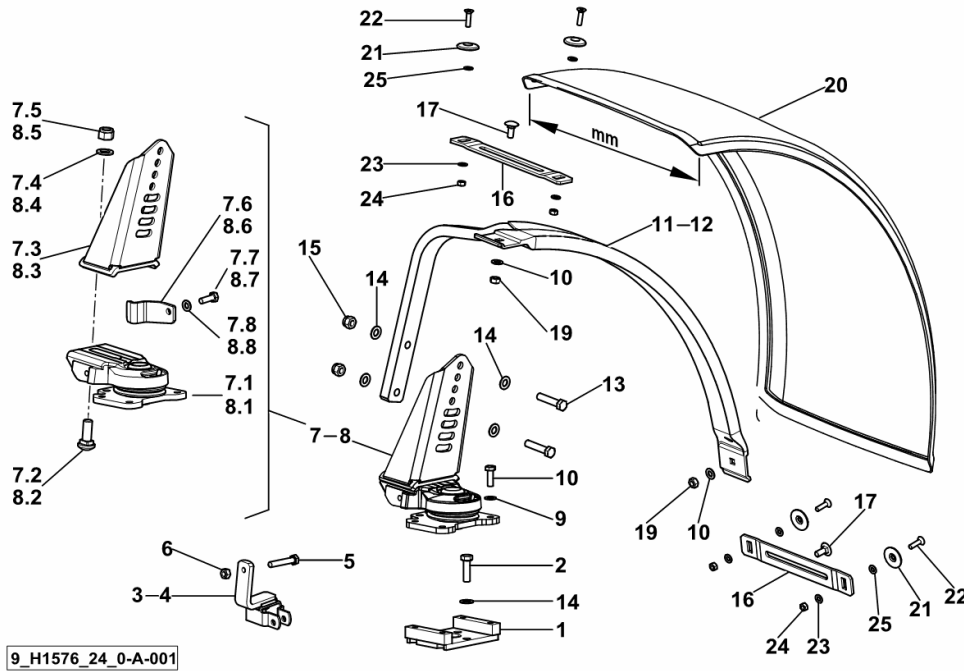
9_H1376_00_0-A-001

4WD - FRONT MUDGUARDS mm 470

Fig.	Code	QTY	Name
------	------	-----	------

Notes:

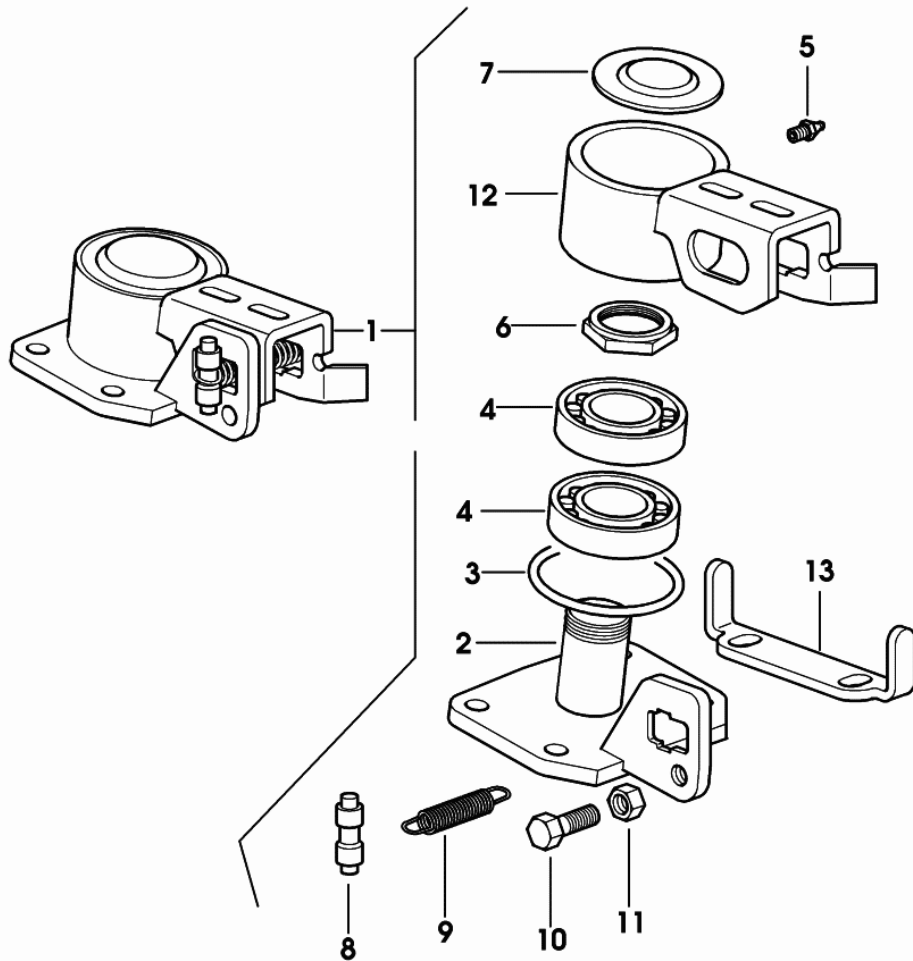
[Agrofarm 100] -> 1692



1	0.011.3341.2/10	2	plate dx/rh/re
2	2.0112.415.2	6	screw m 12 p.1.75 x 40
3	0.011.1428.3/30	1	bracket sx/lh/li
4	0.011.1416.3/30	1	bracket dx/rh/re
5	2.0114.321.2	2	screw m 10 p.1.5x70
6	2.1011.006.2	2	nut m 10 p.1.5
7	0.015.4232.4/10	1	support sx/lh/li
7.1	0.015.4232.3	1	support sx/lh/li ☞ 0.015.4232.3
7.2	2.0029.511.2	1	screw m 16 p.1.5x45
7.3	0.015.3183.2/10	1	support sx/lh/li
7.4	2.1310.010.2	1	flat washer 16
7.5	2.1120.209.2	1	nut m 16 p.1.5
7.6	0.015.3234.0	1	plate
7.7	2.0122.361.2	1	screw m 10 p 1.25 x 30
7.8	2.1310.006.2	1	flat washer 10.5
8	0.015.4233.4/10	1	support dx/rh/re
8.1	0.015.4233.3	1	support dx/rh/re ☞ 0.015.4233.3
8.2	2.0029.511.2	1	screw m 16 p.1.5x45
8.3	0.015.3235.2/10	1	support
8.4	2.1310.010.2	1	flat washer 16
8.5	2.1120.209.2	1	nut m 16 p.1.5
8.6	0.015.3238.0	1	plate dx/rh/re
8.7	2.0122.361.2	1	screw m 10 p 1.25 x 30
8.8	2.1310.006.2	1	flat washer 10.5
9	2.0112.311.2	8	screw m 10 p.1.5 x 30
10	2.1475.003.2	12	washer 10
11	0.015.3226.2/10	1	chassis frame
12	0.015.3237.2/10	1	chassis frame
13	2.0112.420.2	1	screw m 12 p.1.75x55
14	2.1475.004.2	4	washer 12
15	2.1120.007.2	4	nut m 12 p.1.75
16	0.014.7124.0	4	plate
17	2.0020.306.2	4	screw m 10 x 25
19	2.1011.106.2	4	nut m 10 p.1.5
20	0.010.1729.0	2	fender mm 470
21	2.1399.020.0/10	8	washer
22	2.0349.002.3	8	screw m 8 p.1.25 x 30
23	2.1475.002.2	8	conical washer 8
24	2.1011.105.2	8	nut m 8 p.1.25

Section: G0 - BODYWORK - CAB
WING HOLDER dx/rh/re

Fig.	Code	QTY	Name
1	0.011.3452.4/10	1	support dx/rh/re
2	0.000.0000.1	0	not serviceable
3	2.1530.187.0	1	'o' ring
4	2.2520.009.0	2	roller bearing 40x80x19.75
5	2.3820.105.2	1	lubricator m 10 p.1 x 7
6	2.1220.009.2	1	ring nut
7	0.011.3445.0	1	small cover
8	0.011.3446.0	2	pin
9	2.4049.212.2	1	spring
10	2.0112.413.2	1	screw m 12 p.1.75x35
11	2.1011.207.2	1	nut m 12 p.1.5
12	0.000.0000.1	0	not serviceable
13	0.012.1972.0	1	stop



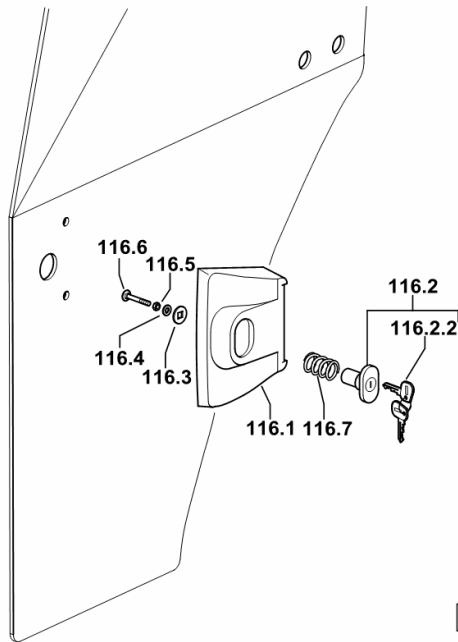
0.011.3452.4/10

Section: G0 - BODYWORK - CAB
DRIVERS'S CAB DOOR LOCK

Fig.	Code	QTY	Name
------	------	-----	------

Notes:
 [Agrofarm 100]

116.1	0.010.6101.2	1	handle
116.2	0.008.2765.4	1	push-button
116.2.2	2.7439.013.2	1	key
116.3	2.1599.488.2	1	washer 21x2
116.4	2.1481.005.2	1	washer 6, d128
116.5	2.1011.102.2	1	nut m 5 p.0.7
116.6	2.0020.008.2	1	screw m 5 x 35
116.7	0.008.2774.0	1	spring



9_H1571_10_0-E-001

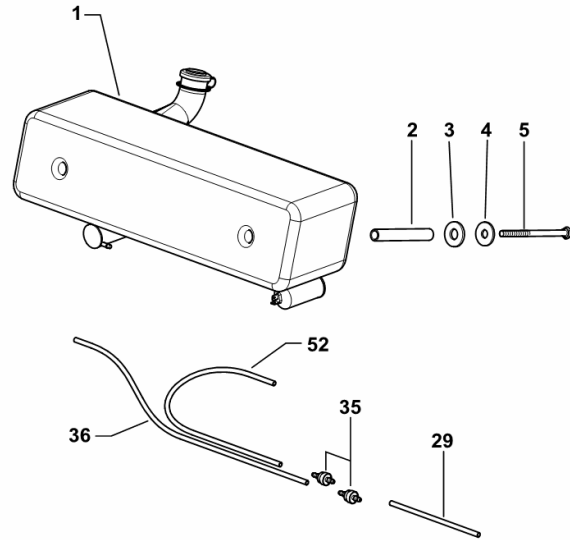
WATER TANK

Fig.	Code	QTY	Name
------	------	-----	------

Notes:

- FOR "HIGH VISIBILITY" CAB [Agrofarm 100] 1383 <-

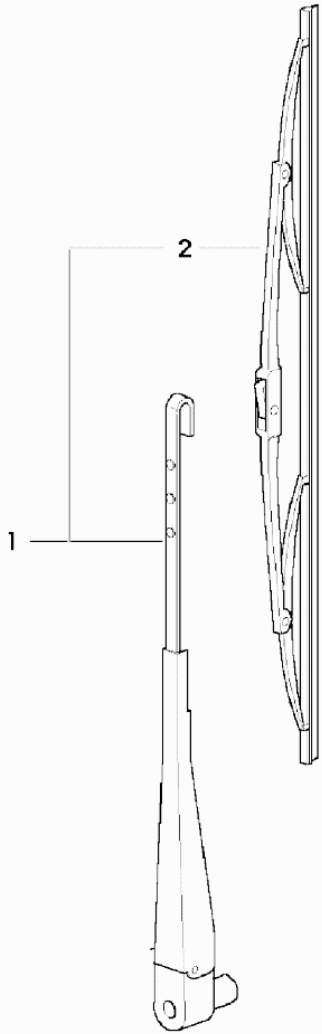
1	0.014.9163.2	1	cup ☞ 0.014.9163.2
2	2.1549.429.2	2	spacer
3	2.1569.143.0	2	gasket
4	2.1312.005.2	2	washer 10.2
5	2.0112.233.2	2	screw m 8 p.1.25 x 120
29	0.007.7770.0	1	tube Ø mm 4x6x2000
35	0.9231.559.0	2	pipe fitting
36	0.007.7772.0	1	tube Ø mm 4x6x120
52	0.010.0868.0	1	tube mm 4x6x2200



9_H1471_30_0-B-001

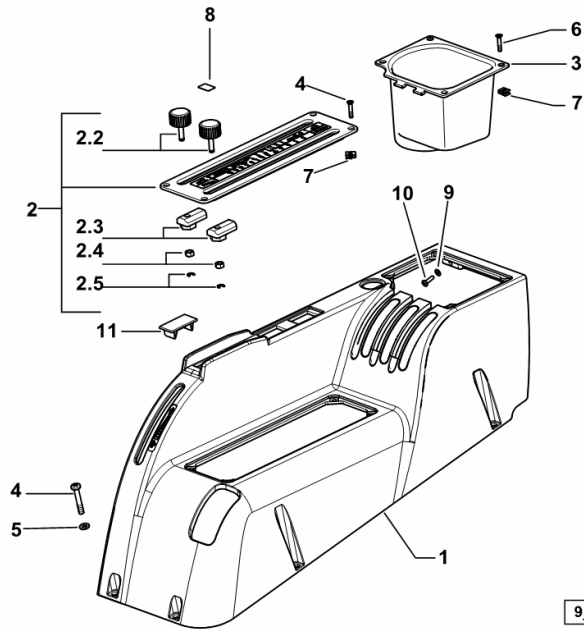
Section: G0 - BODYWORK - CAB
WINDSCREEN WIPER BLADE

Fig.	Code	QTY	Name
1	0.011.1392.4	1	windscreen wiper
2	0.010.2524.0	1	wiper blade



011_1392_4

Section: G0 - BODYWORK - CAB
CONTROL CONSOLE - DX/RH/RE



9_H1271_25_0-A-001

Fig.	Code	QTY	Name
------	------	-----	------

Notes:

[Agrofarm 100] 1401 <-

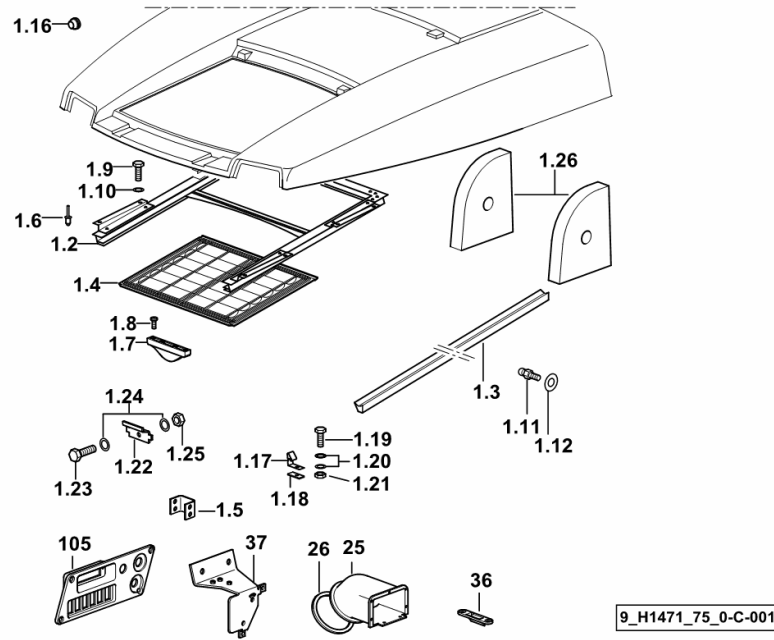
1	0.015.0318.0/10	1	consolle
2	0.015.0312.4	1	cover
2.2	0.007.6770.3/10	2	knob
2.3	0.014.8194.0	2	slider
2.4	2.1011.103.2	2	nut m 6 p.1
2.5	2.1430.005.7	2	circlip 4
3	0.015.0487.0/10	1	glove pocket
4	2.0332.411.3	4	screw
5	2.1310.002.3	4	flat washer 6.4 x 12 x 1.6
6	2.0352.407.3	8	screw m 4.2 x 22
7	2.6999.022.0	8	small spring
8	0.015.1931.0	1	plate
9	2.1310.028.2	1	flat washer 4
10	2.0350.455.3	1	screw m 4.2
11	0.011.3513.0	2	plug

ROOF COVERING

Fig.	Code	QTY	Name
------	------	-----	------

Notes:

HIGHT VISIBILITY - FOR TYPES WITH HEATING AND AIR CONDITIONING [Agrofarm 100]



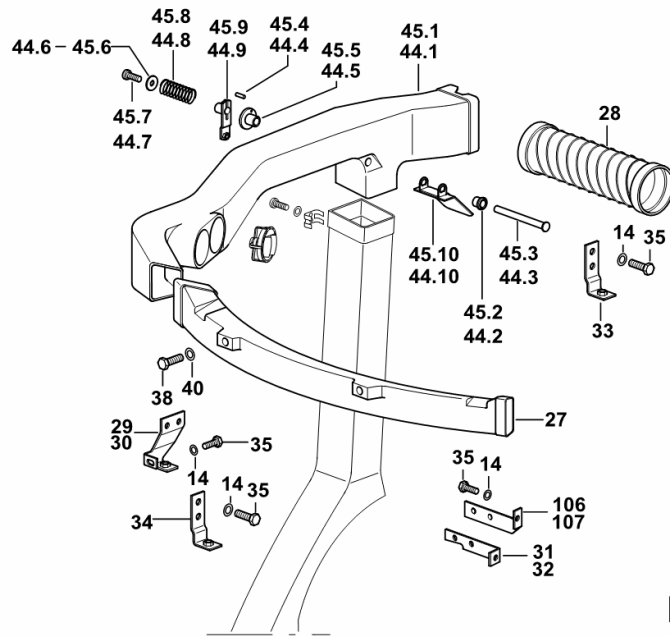
1.2	0.011.1046.3/30	1	chassis frame
1.3	0.011.3983.0/10	2	profile
1.4	0.011.0998.0/30	1	roll-up sun-shade
1.5	0.011.1164.0/10	2	angular
1.6	2.1856.306.0	4	rivet 4.8
1.7	0.011.1358.0	1	handle
1.8	2.0361.408.2	4	screw m 4x14
1.9	2.0112.207.2	9	screw m 8 p 1.25 x 20
1.10	2.1310.004.2	9	flat washer 8.5
1.11	0.009.8760.0	2	ball joint
1.12	2.1310.004.2	2	flat washer 8.5
1.16	2.6569.034.0	1	grommet 24x13x13.5
1.17	0.010.6335.0/10	2	small spring
1.18	0.010.6336.0	2	small plate
1.19	2.0112.203.2	2	screw m 8 p.1.25 x 12
1.20	2.1310.004.2	4	flat washer 8.5
1.21	2.1011.105.2	2	nut m 8 p.1.25
1.22	0.010.5294.0	2	small plate
1.23	2.0112.203.2	2	screw m 8 p.1.25 x 12
1.24	2.1310.004.2	4	flat washer 8.5
1.25	2.1011.105.2	2	nut m 8 p.1.25
1.26	0.011.9011.0	2	guard
25	0.011.1284.0	2	tube
26	0.011.1264.0	2	gasket
36	0.011.1318.0/10	1	stop
37	0.011.1325.3/30	1	bracket
105	0.011.1326.0/20	1	front grille

INTERIOR TRIM

Fig.	Code	QTY	Name
------	------	-----	------

Notes:

HIGHT VISIBILITY - FOR TYPES WITH HEATING AND AIR CONDITIONING [Agrofarm 100]



14	2.1310.004.2	4	flat washer 8.5
27	0.011.1219.2/30	1	tube
28	0.011.4526.3	2	tube
29	0.011.0997.3/10	1	bracket sx/lh/li
30	0.011.0994.3/10	1	bracket dx/rh/re
31	0.011.0983.3	1	bracket sx/lh/li
32	0.011.1181.3	1	bracket dx/rh/re
33	0.011.1279.3	2	bracket
34	0.011.1280.3/10	2	bracket
35	2.0112.204.2	18	screw m 8 p.1.25x14
38	2.0112.005.2	4	screw m 6 p.1 x 16
40	2.1310.002.2	2	washer 6.6, d125
44.1	0.011.1197.2/30	1	tube dx/rh/re
44.2	0.011.1292.0/20	1	bushing
44.3	0.011.1259.0/10	1	pin
44.4	2.1630.205.0	1	pin 3x10
44.5	0.011.1291.0/30	1	bushing
44.6	2.1599.525.2	1	washer 6.1 x 25 x 2.0
44.7	2.0332.405.2	1	screw m 6 x 14
44.8	2.4019.756.2	1	spring
44.9	0.011.1296.3/30	1	lever dx/rh/re
44.10	0.011.1262.3/30	1	shutter
45.1	0.011.1198.2/30	1	tube sx/lh/li
45.2	0.011.1292.0/20	1	bushing
45.3	0.011.1259.0/10	1	pin
45.4	2.1630.205.0	1	pin 3x10
45.5	0.011.1291.0/30	1	bushing
45.6	2.1599.525.2	1	washer 6.1 x 25 x 2.0
45.7	2.0332.405.2	1	screw m 6 x 14
45.8	2.4019.756.2	1	spring
45.9	0.011.5287.3/30	1	lever sx/lh/li
45.10	0.011.1262.3/30	1	shutter
106	0.011.0992.3/10	1	bracket sx/lh/li
107	0.011.0987.3	1	bracket dx/rh/re

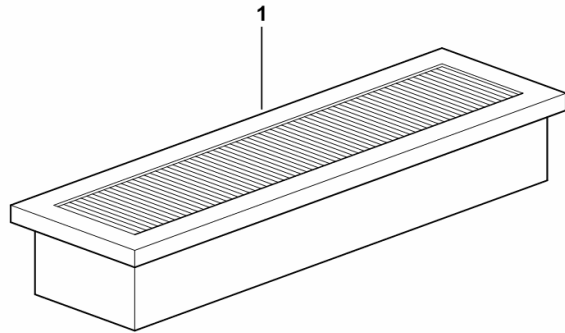
CARBON FILTER

Fig.	Code	QTY	Name
------	------	-----	------

Notes:

- FOR TYPES WITH CAB W/O "HIGH VISIBILITY" [Agrofarm 100]

1	0.009.9423.2	1	air filter element
---	--------------	---	--------------------



9_56671_28_0-A-001

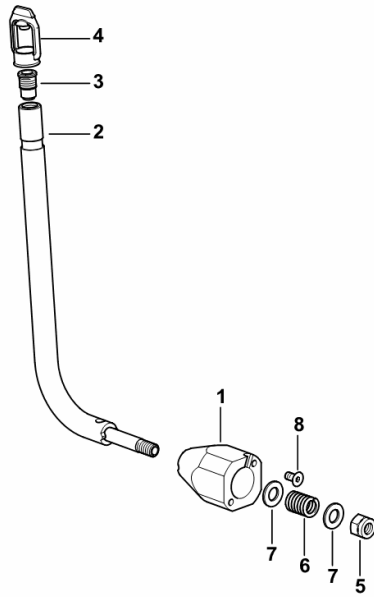
Section: G0 - BODYWORK - CAB
FLASHING LIGHT SUPPORT

Fig.	Code	QTY	Name
------	------	-----	------

Notes:

HIGHT VISIBILITY - FOR TYPES WITH HEATING AND AIR CONDITIONING [Agrofarm 100] -> 1273 HIGHT VISIBILITY - FOR TRACTORS WITH AIR HEATING [Agrofarm 100]

1	0.010.6993.0/10	1	support
2	0.010.6992.2/10	1	tube
3	2.6039.017.0	1	socket
4	0.009.6650.0	1	cap
5	2.1120.008.2	1	selflock nut m 14 p.1.75
6	2.4019.664.2	1	spring
7	2.1310.009.2	2	flat washer 14
8	2.0342.303.6	2	screw m 8 p. 1.25x16



9_68471_34_0-A-001

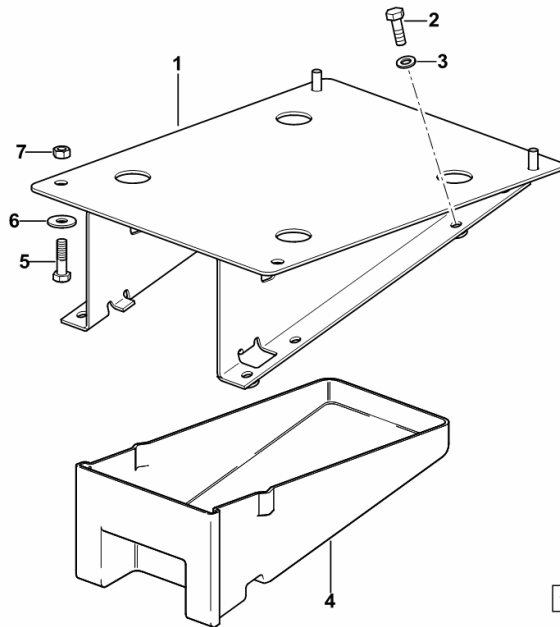
SEAT SUPPORT BRACKET

Fig.	Code	QTY	Name
------	------	-----	------

Notes:

- PNEUMATIC SPRINGING [Agrofarm 100] 1093 <-

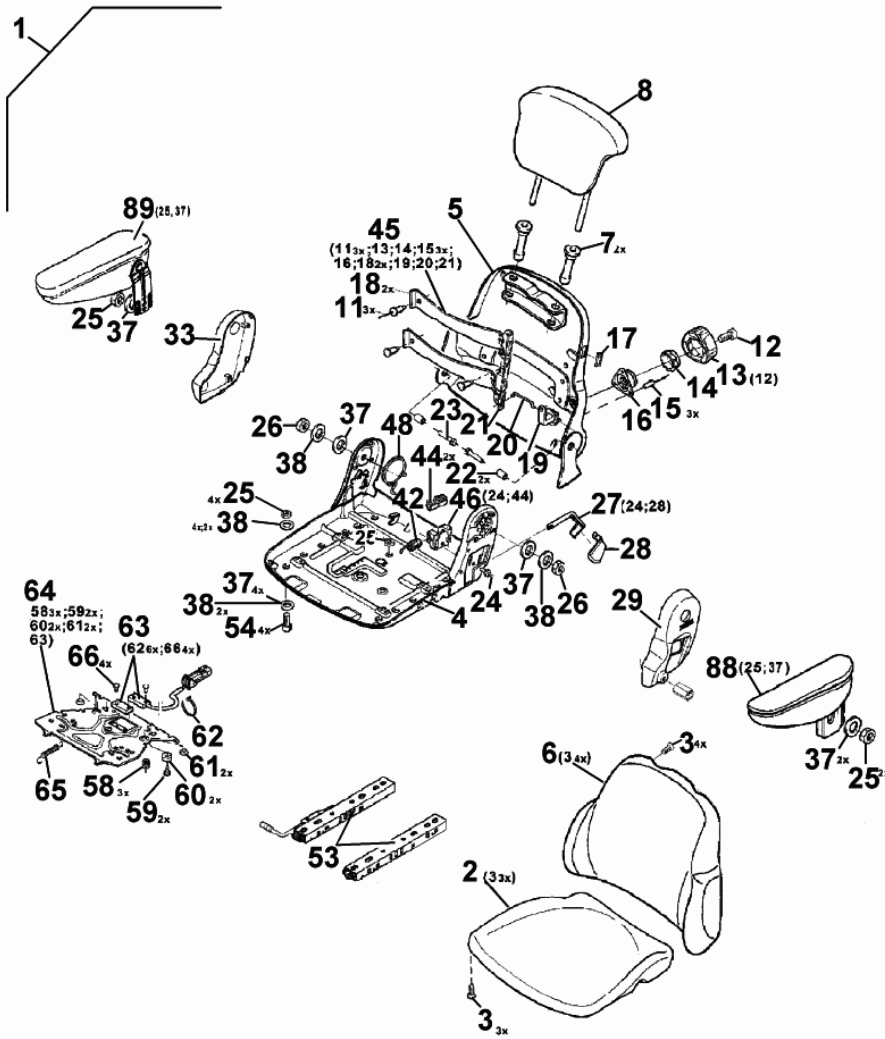
1	0.014.1310.3	1	seat support
2	2.0112.209.2	4	screw m 8 p 1.25 x 25
3	2.1310.004.2	4	flat washer 8.5
4	0.007.7914.0/40	1	glove pocket
5	2.0112.211.2	4	screw m 8 p.1.25 x 30
6	2.1312.004.2	4	washer 8.4
7	2.1011.105.2	4	nut m 8 p.1.25



9_E9775_00_0-A-001

SEAT-COMPONENTS

Fig.	Code	QTY	Name
1	0.000.0000.1	0	not serviceable
2	0.900.0370.4	1	cushion
3	0.010.3500.2	7	screw m 5
4	0.010.3544.0	1	chassis frame
5	0.900.0370.6	1	chassis frame
6	0.900.0370.5	1	backrest
7	0.010.2950.2	2	bushing
8	0.010.3905.0	1	embroiderhead
11	0.010.3510.0	3	rivet
12	0.010.2951.2	1	screw m 6
13	0.010.2952.0	1	knob
14	0.010.2952.1	1	bushing
15	0.900.0370.7	3	rivet
16	0.010.2952.2	1	support
17	0.010.3552.2	1	small cover
18	0.010.2945.2	2	plate
19	0.010.2953.0	1	small plate
20	0.010.2945.1	1	rod
21	0.010.2946.0	1	plate
22	0.010.2953.1	2	bushing
23	0.010.2948.0	2	screw m 8 x 40
24	0.900.0298.8	1	rivet
25	0.010.2401.0	6	nut m 8
26	0.010.2948.1	2	nut m 8
27	0.900.0298.2	1	lever
28	0.900.0298.3	1	lever
29	0.900.0297.7	1	cover sx/lh/li
33	0.900.0298.4	1	cover dx/rh/re
37	0.010.2945.0	8	washer 8.4
38	0.010.3152.0	9	gasket
42	0.900.0297.9	1	spring
44	0.900.0298.0	1	stop
45	0.010.2951.1	1	support
46	0.900.0298.1	1	accessories
48	0.900.0370.8	1	small spring
53	0.900.0370.9	1	seat guide
54	0.010.2405.0	4	pin m 8 x 16
58	0.010.3553.1	2	spring
59	0.900.0371.0	2	rivet 4.8x10.3
60	02312286	2	shoch.absorber
61	04370999	2	shoch.absorber
62	0.900.0298.5	1	cable
63	0.010.3473.2	1	switch
64	0.010.3553.2	1	plate



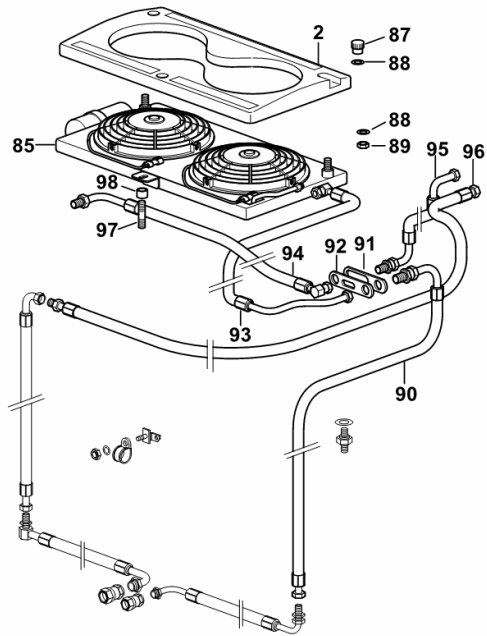
0_014_3062_4_20_A

CONDENSER

Fig.	Code	QTY	Name
------	------	-----	------

Notes:

HIGHT VISIBILITY - FOR TYPES WITH HEATING AND AIR CONDITIONING [Agrofarm 100]



9_H1471_75_0-K-001

2	0.012.8989.2/10	1	cover
85	0.011.1961.4/30	1	condenser ☞ 0.011.1961.4/30
87	0.012.9389.2	3	knob m 8
88	2.1310.004.2	7	flat washer 8.5
89	2.1011.105.2	4	nut m 8 p.1.25
90	0.011.2124.3	1	tube mm 2650
91	0.011.2145.0	2	gasket
92	0.011.2139.0/10	2	small plate
93	0.011.2306.3/20	1	tube
94	0.011.2126.3	1	tube
95	0.011.2061.3/10	1	tube mm 430
96	0.011.3723.3	1	tube mm 2160
97	2.0422.209.2	1	screw m 8 x 35
98	2.1579.450.2	1	spacer 8.5 x 14 x 12

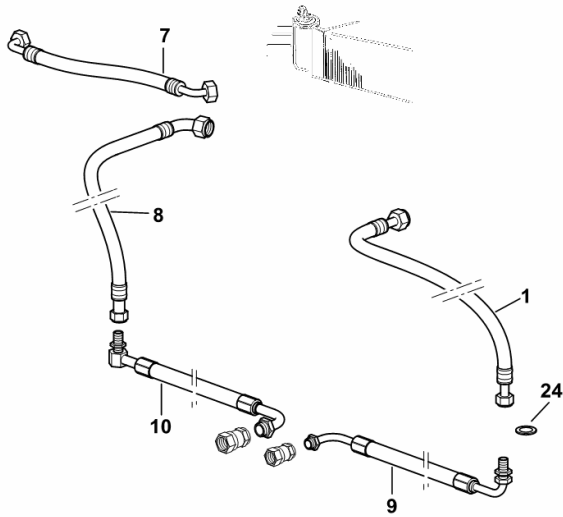
AIR CONDITIONING SYSTEM PIPES

Fig.	Code	QTY	Name
------	------	-----	------

Notes:

HIGHT VISIBILITY - FOR TYPES WITH HEATING AND AIR CONDITIONING [Agrofarm 100] -> 1132 - 1401 <-

1	0.013.4127.3	1	tube mm 1735
7	0.011.1968.3/10	1	tube
8	0.011.2060.3/10	1	tube mm 1320 (7/8" 14UNF-2B)
9	0.007.7462.3/30	1	tube mm 973
10	0.007.7463.3/40	1	tube (1401 <-)
10	0.015.6589.3	1	tube mm 930
24	2.1310.009.2	1	flat washer 14



9_H1486_24_0-A-001

Section: G0 - BODYWORK - CAB
AIR CONDITIONER PARTS

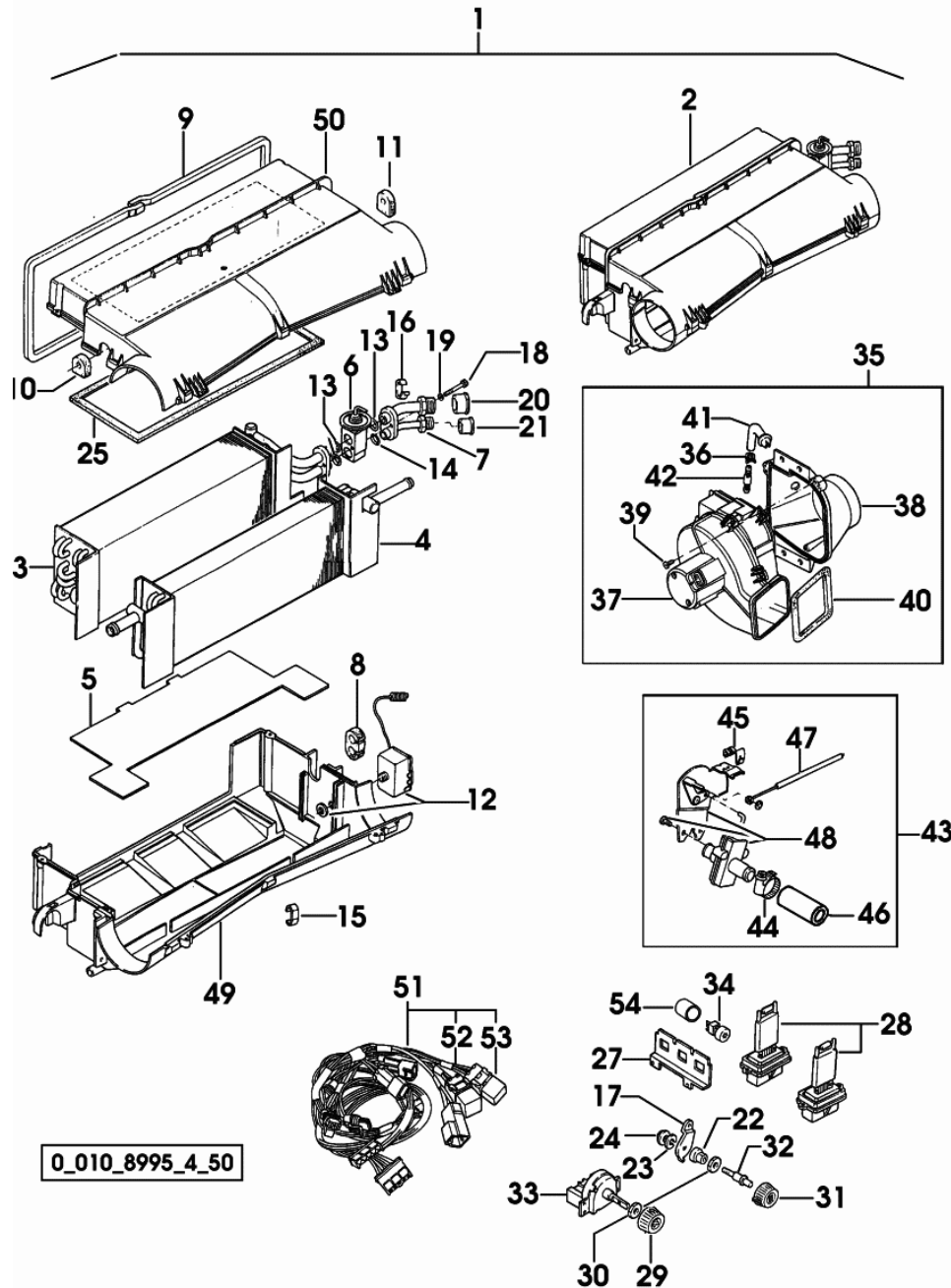
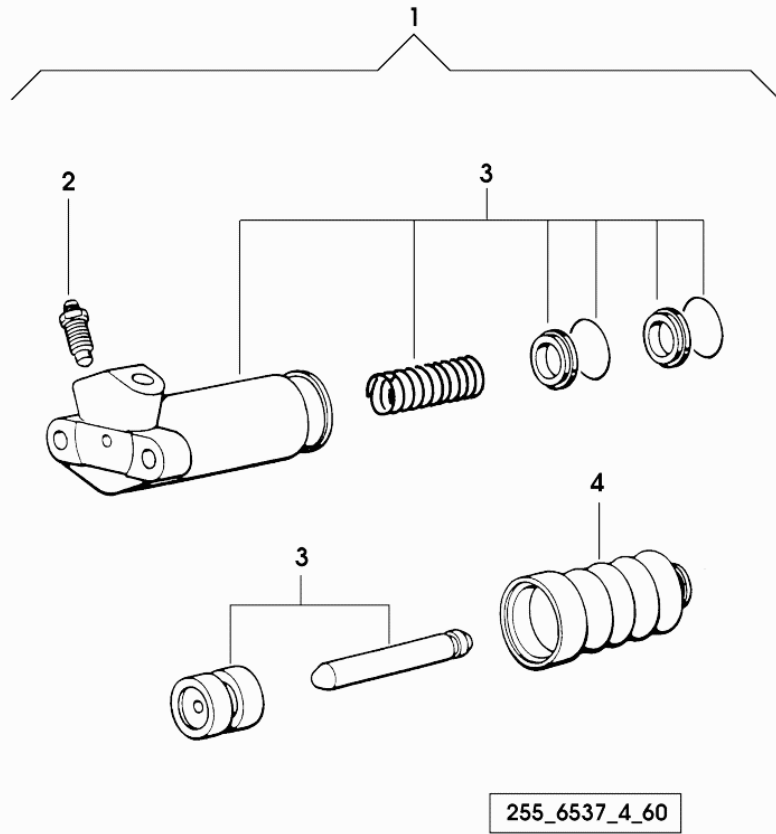


Fig.	Code	QTY	Name
46	0.010.2561.2	1	tube
47	0.015.0185.2	1	cable
48	0.010.2151.1	1	cock or tap
49	0.012.1581.0	1	box
50	0.012.1594.0	1	box
51	0.010.2560.0	1	wire
52	0.010.3317.2	2	relay 15A NA BROWN
53	0.010.3318.0	1	relay 20A NA WHITE
54	0.900.0061.2	1	bushing

0_010_8995_4_50

CYLINDER PARTS

Fig.	Code	QTY	Name
1	0.255.6537.4/60	1	cylinder
2	0.009.4329.1	1	screw
3	0.000.0000.1	0	not serviceable
4	0.009.4891.1	1	guard



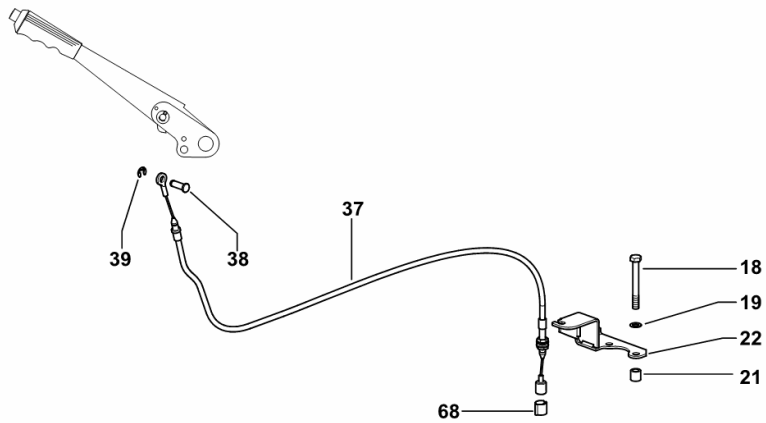
AIR TRAILER BRAKING CONTROL CABLE EXPORT D

Fig.	Code	QTY	Name
------	------	-----	------

Notes:

[Agrofarm 100]

18	2.0112.223.2	4	screw m 8 p.1.25x70
19	2.1470.004.2	4	washer 8
21	2.1579.825.0	2	spacer
22	0.011.3979.2/20	1	bracket
37	0.011.4121.3	1	cable
38	2.1699.307.2	1	pin 23x27.5x12
39	2.1430.008.7	1	circlip 7
68	0.257.6757.0	1	spring



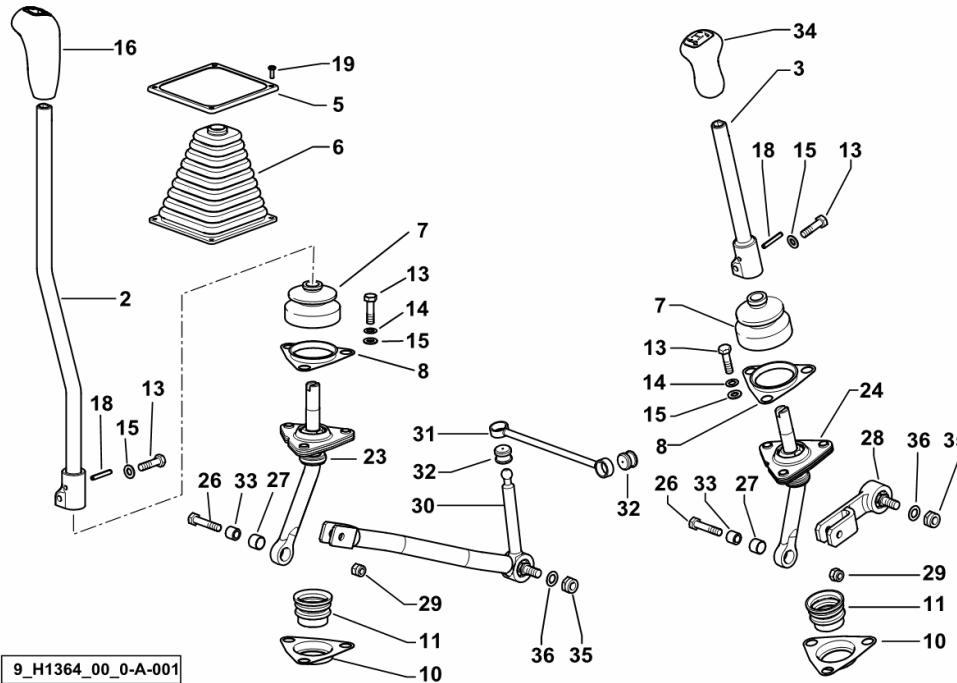
9_H1589_21_0-G-001

GEAR SHIFTING

Fig.	Code	QTY	Name
------	------	-----	------

Notes:

[Agrofarm 100] 1216 <-



2	0.014.8495.3	1	gear lever
3	0.014.8508.3	1	lever
5	0.014.8599.0	2	metal strap
6	0.014.8600.0	2	boot
7	0.255.6451.0/10	2	bellows
8	0.007.6981.0/10	2	support
10	0.007.7693.0/10	2	cap-washer
11	0.007.7692.0/10	2	guard
13	2.0112.211.2	10	screw m 8 p.1.25 x 30
14	2.1470.004.2	11	washer 8
15	2.1310.004.2	13	flat washer 8.5
16	0.014.8800.3	1	knob
18	2.1631.415.2	3	pin 5x32
19	2.0332.204.3	8	screw m 4 p.0.7 x 12
23	0.014.8613.4	1	lever
24	0.014.8623.4	1	lever
26	2.0112.215.2	3	screw m 8 p.1.25 x 40
27	2.1555.107.0	3	bushing 14x16x12
28	0.014.8564.3/10	1	rod
29	2.1120.005.2	3	nut m 8 p.1.25
30	0.014.8487.3	1	rod
31	0.014.8526.2	1	rod
32	0.255.6454.0	2	pin seat
33	2.1579.965.2	3	spacer 8.5x14x12.5
34	0.014.8862.3	1	knob
35	2.1120.106.2	3	nut m 10 p.1.25
36	2.1470.006.2	3	lock washer 10

9_H1364_00_0-A-001

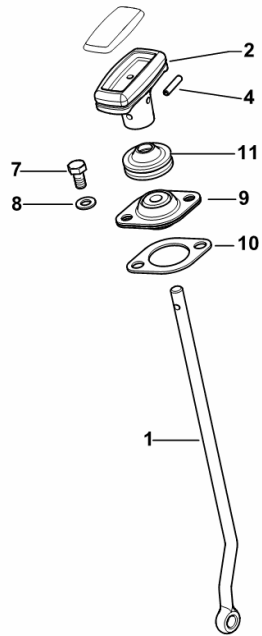
P.T.O. - SYNCHRONIZED CONTROL

Fig.	Code	QTY	Name
------	------	-----	------

Notes:

[Agrofarm 100]

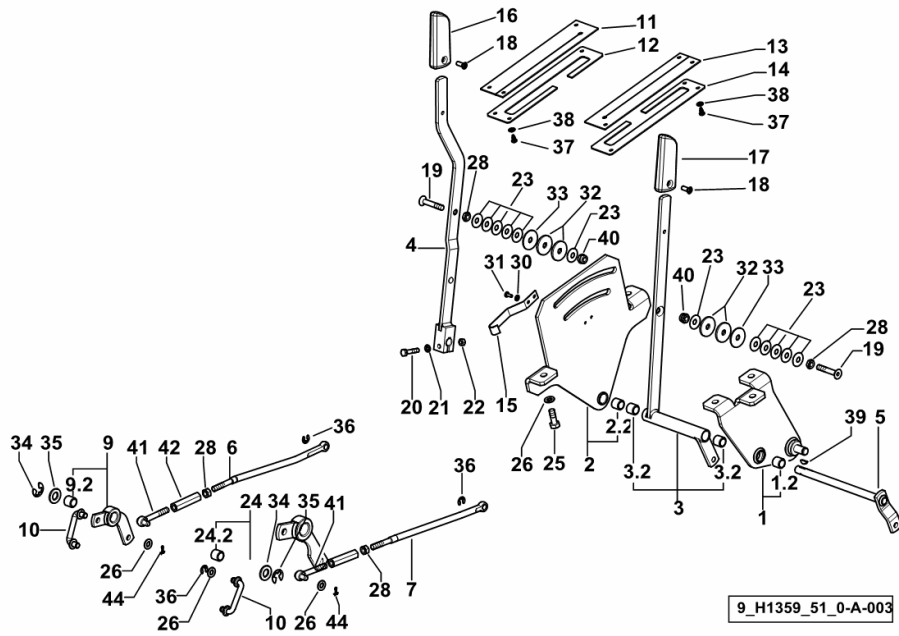
1	0.014.8932.0	1	rod
2	0.009.9885.0/10	1	knob
4	2.1631.511.0	1	pin 6 x 24
7	2.0112.209.2	2	screw m 8 p 1.25 x 25
8	2.1310.004.2	2	flat washer 8.5
9	0.009.1618.3	1	support
10	0.009.0480.0	1	gasket
11	2.6569.069.0/10	1	rubber plug



9_H1568_11_0-A-001

CONTROL TIE RODS AND LEVERS

Fig.	Code	QTY	Name
40	2.1120.105.2	2	selflock nut m 8 p.1.25
41	0.015.3923.2	2	terminal
42	2.1099.167.2	2	nut
44	2.1690.207.2	2	split pin 2x18



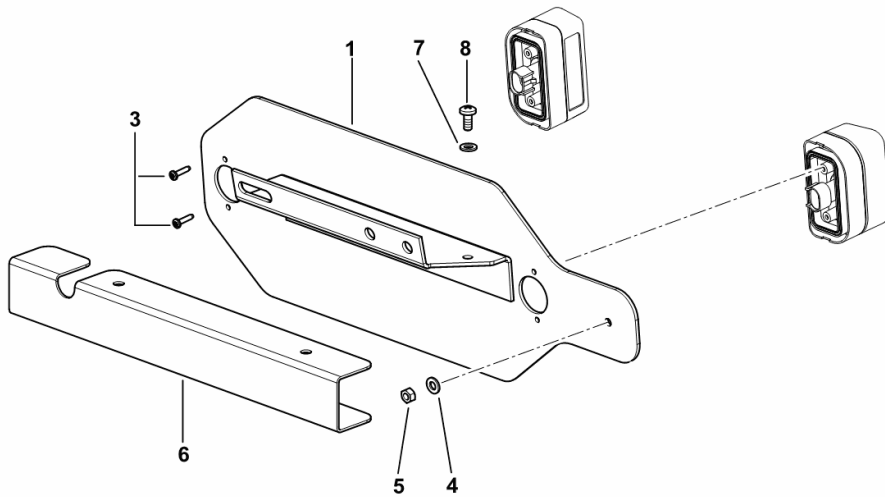
LICENCE PLATE HOLDER

Fig.	Code	QTY	Name
------	------	-----	------

Notes:

[Agrofarm 100]

1	0.015.2408.2/20	1	plate holder
3	2.0350.255.3	4	screw m 3.5 x 16 -AB-
4	2.1310.002.2	1	washer 6.6, d125
5	2.1011.103.2	1	nut m 6 p.1
6	0.015.3162.3/10	1	guard
7	2.1310.002.3	2	flat washer 6.4 x 12 x 1.6
8	2.0332.405.3	2	screw m 6 p.1 x 14



9_H1576_60_0-A-001

Agrofarm 100

L0 - ELECTRIC AL SYSTEM

BATTERY - ALTERNATOR

BATTERY 12V 100Ah 650A.....	L0.01.0 (1)
BATTERY 12V 180Ah 800A.....	L0.01.2 (1)

WIRING LOOMS

HEADLIGHTS / HORN WIRING.....	L0.02.2 (1)
HEADLIGHTS / HORN WIRING.....	L0.02.3 (1)
wiring for front sidelights and direction indicators.....	L0.02.4 (1)
wiring for front sidelights and direction indicators.....	L0.02.5 (1)
wiring for front sidelights and direction indicators.....	L0.02.6 (1)
ELECTRIC WIRING FOR PARKING LIGHTS AND DIRECTION INDICATORS, FRONT AND REAR.....	L0.02.6 (2)
WIRING FOR WORKLIGHTS AND FLASHING LIGHT.....	L0.02.7 (1)
WIRING FOR HEADLIGHTS IN BASSO.....	L0.02.8 (1)
WIRING FOR HEADLIGHTS IN BASSO.....	L0.02.9 (1)
BOTTOM FRONT WORK LIGHTS WIRING.....	L0.02.10 (1)
ELECTRICAL SYSTEM FOR REAR/FRONT LIGHTS.....	L0.02.11 (1)
CENTRAL WIRING LOOM.....	L0.02.12 (1)
CENTRAL WIRING LOOM.....	L0.02.12 (2)
CENTRAL WIRING LOOM.....	L0.02.12 (3)
CENTRAL WIRING LOOM.....	L0.02.13 (1)
CENTRAL WIRING LOOM.....	L0.02.13 (2)
CENTRAL WIRING LOOM.....	L0.02.13 (3)
TRAILER SOCKET-OUTLET.....	L0.02.14 (1)
TRAILER SOCKET BRACKET.....	L0.02.15 (1)
TRAILER SOCKET FIXING.....	L0.02.15 (3)
TRAILER SOCKET FIXING.....	L0.02.16 (1)
TRAILER SOCKET FIXING.....	L0.02.16 (2)
GEARBOX ELECTRICAL SYSTEM.....	L0.02.20 (1)
GEARBOX ELECTRICAL SYSTEM.....	L0.02.21 (1)
ENGINE AND CAB POWER SUPPLY WIRING.....	L0.02.22 (1)
ENGINE AND CAB POWER SUPPLY WIRING.....	L0.02.23 (1)
CAB POWER SUPPLY WIRING.....	L0.02.24 (1)
CAB POWER SUPPLY WIRING.....	L0.02.25 (1)
CAB POWER SUPPLY WIRING.....	L0.02.26 (1)
CAB POWER SUPPLY WIRING.....	L0.02.27 (1)
CAB POWER SUPPLY WIRING.....	L0.02.28 (1)
CAB ELECTRICAL SYSTEM.....	L0.02.29 (1)
CAB ELECTRICAL SYSTEM.....	L0.02.29 (2)
CAB ELECTRICAL SYSTEM.....	L0.02.30 (1)
CAB ELECTRICAL SYSTEM.....	L0.02.30 (2)
CAB ELECTRICAL SYSTEM.....	L0.02.31 (1)
CAB ELECTRICAL SYSTEM.....	L0.02.32 (1)

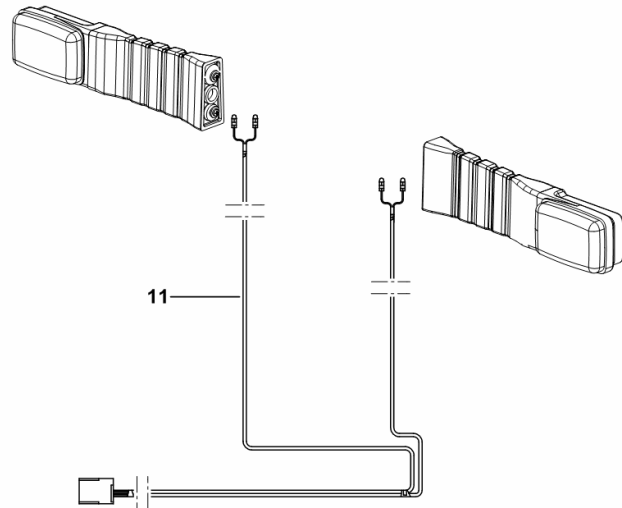
wiring for front sidelights and direction indicators

Fig.	Code	QTY	Name
------	------	-----	------

Notes:

- FOR TYPES WITH PLATFORM - EXPORT U.S.A. [Agrofarm 100] 1321 <-

11	0.015.4259.4	1	wire
----	--------------	---	------



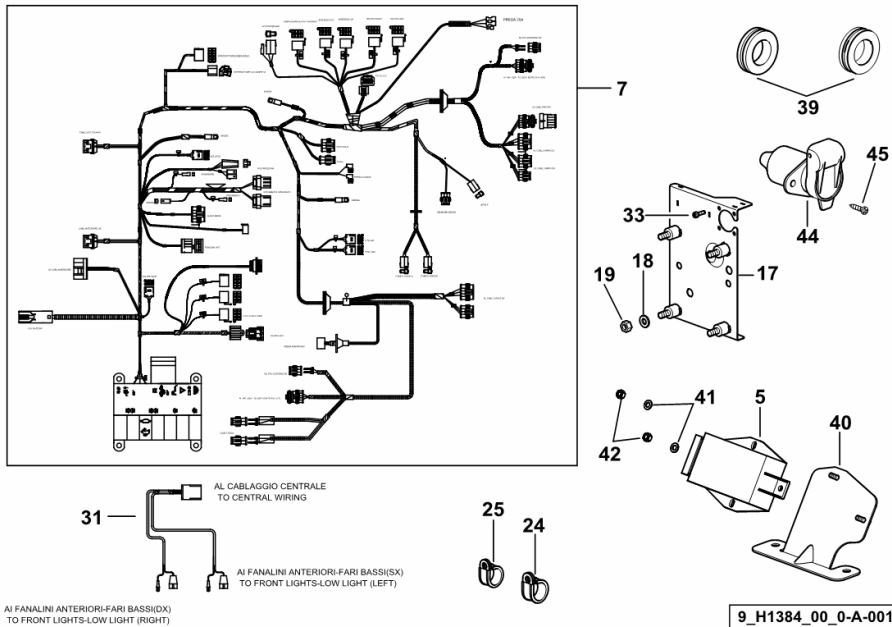
9_H1385_01_0-B-001

CENTRAL WIRING LOOM

Fig.	Code	QTY	Name
------	------	-----	------

Notes:

- EXPORT U.S.A. [Agrofarm 100] 1321 <-



5	2.8639.012.0	1	blinker
7	0.015.4258.4	1	electrical system (1321 <-) ☞ 0.015.4258.4
7	0.015.4258.4/20	1	electrical system ☞ 0.015.4258.4/20
17	0.015.1986.2	1	support
18	2.1310.004.2	4	flat washer 8.5
19	2.1011.105.2	4	nut m 8 p.1.25
24	2.6839.051.0	2	clamp 20/20
25	2.6839.053.0	1	clamp Ø 17/15
31	0.010.8189.3/40	1	wire
33	2.0399.175.3	4	screw m 4.2 x 19 -AB-
39	2.6560.017.0	2	wire guide 22x2.5
40	0.015.4284.3	1	bracket
41	2.1310.001.2	2	flat washer 5.3
42	2.1011.102.2	2	nut m 5 p.0.7
44	2.6039.020.0	1	socket DIN 9680
45	2.0350.504.3	2	screw m 4.8x13B

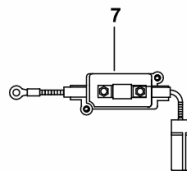
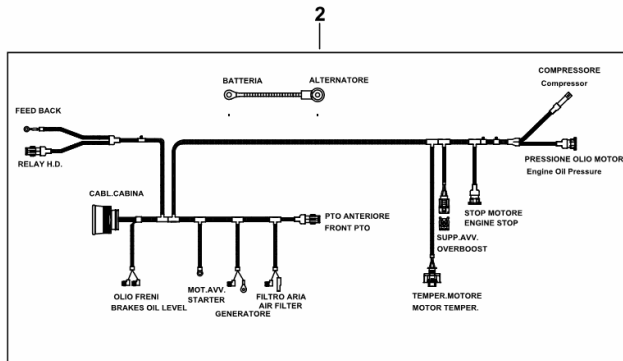
ENGINE AND CAB POWER SUPPLY WIRING

Fig.	Code	QTY	Name
------	------	-----	------

Notes:

- WITH UNDER STEP BATTERY [Agrofarm 100]

2	0.015.1597.4/20	1	electrical system
7	0.015.1983.4/10	1	electrical system ☞ 0.015.1983.4/10



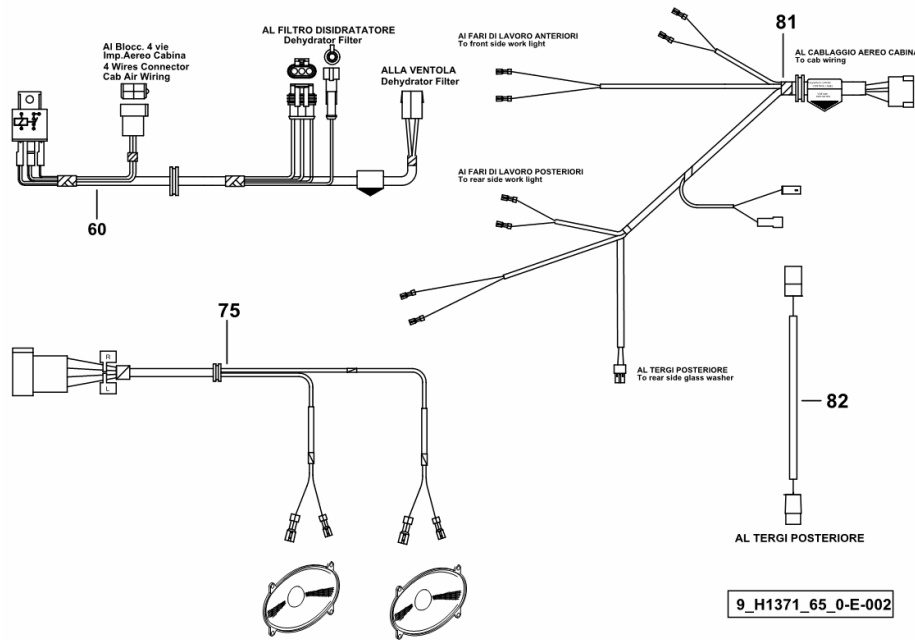
9_H1284_13_0-A-001

Section: L0 - ELECTRIC AL SYSTEM
CAB ELECTRICAL SYSTEM

Fig.	Code	QTY	Name
------	------	-----	------

Notes:

- FOR VERSIONS WITH NON- "HIGH VISIBILITY" CABS WITH HEATING AND AIR CONDITIONING [Agrofarm 100] -> 1420



60	0.009.7853.3/20	1	electrical system - FOR AIR CONDITIONING ☞ 0.009.7853.3/20
75	0.011.0729.4/10	1	wire
81	0.009.7851.4/50	1	electrical system
82	0.015.6123.4	1	wire FOR REAR SCREEN WIPER

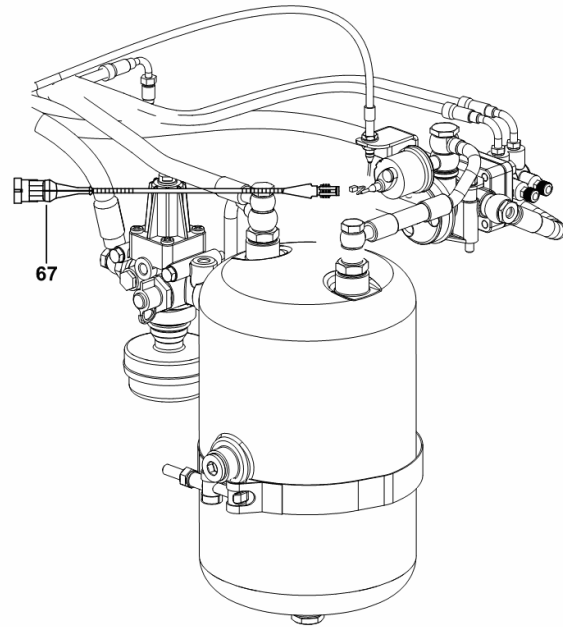
PRESSURE SWITCH WIRING FOR AIR BRAKING SYSTEM ITALY

Fig.	Code	QTY	Name
------	------	-----	------

Notes:

[Agrofarm 100] 1048 <-

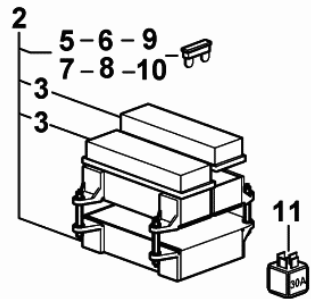
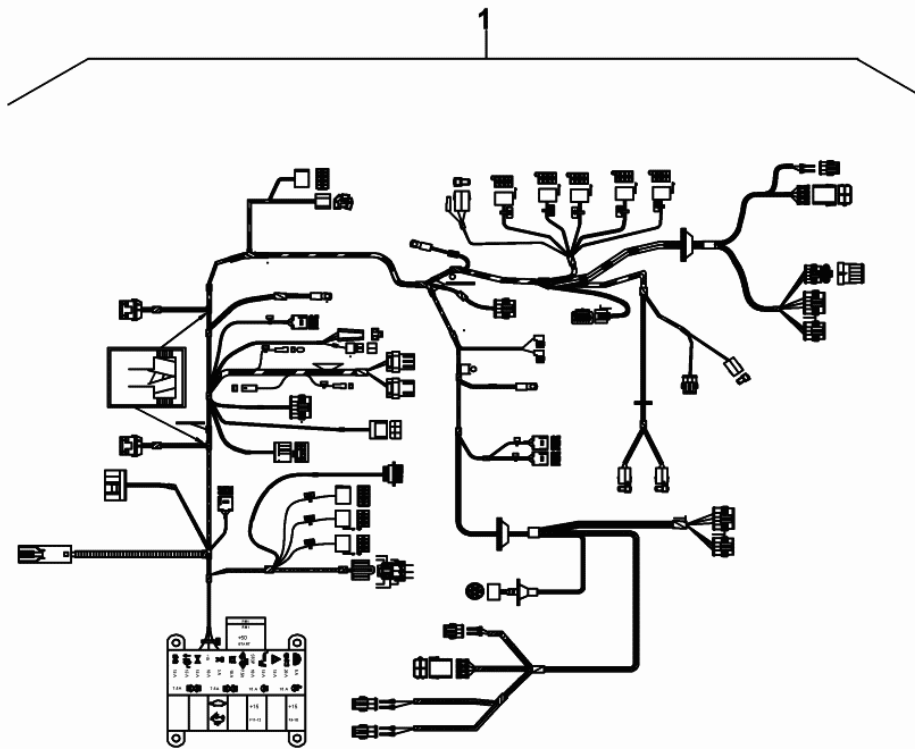
67	04425704.4	1	electrical system
----	------------	---	-------------------



9_H1589_20_0-F-001

ELECTRICAL SYSTEM

Fig.	Code	QTY	Name
1	0.014.8628.4/20	1	electrical system
2	0.000.0000.1	0	not serviceable
3	0.010.2754.0	2	cover
5	0.900.0000.3	1	fuse 3 A unival
6	0.900.0000.7	1	fuse 5 A unival
7	0.010.3999.1	3	fuse 7.5 A unival
8	0.010.3998.0	3	fuse 10 A unival
9	0.010.3999.2	7	fuse 15 A unival
10	0.900.0000.1	1	fuse 20 A unival
11	0.010.2089.2	1	relay 12V-30A



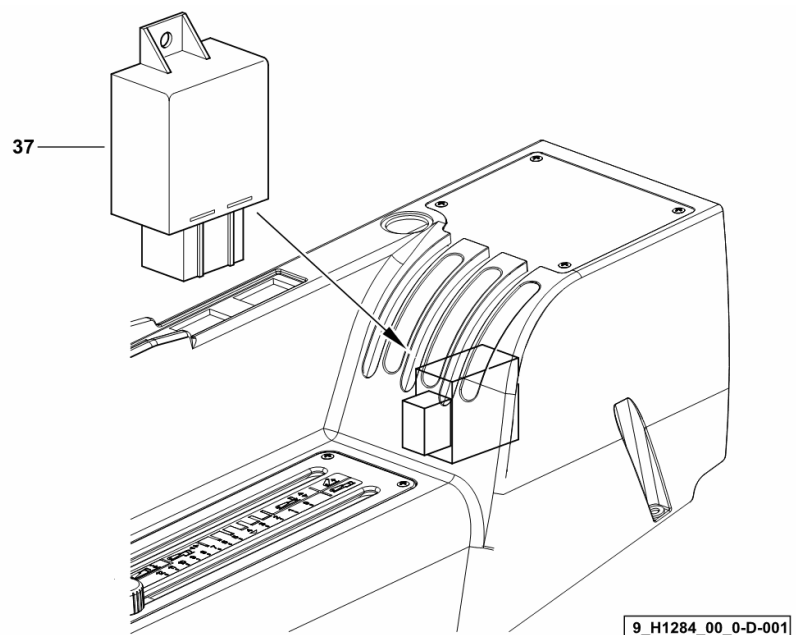
0_014_8628_4_20

CONTROL UNIT P.T.O. SHAFT

Fig.	Code	QTY	Name
------	------	-----	------

Notes:
[Agrofarm 100]

37	2.8519.057.0/10	1	central device P.T.O.
----	-----------------	---	-----------------------



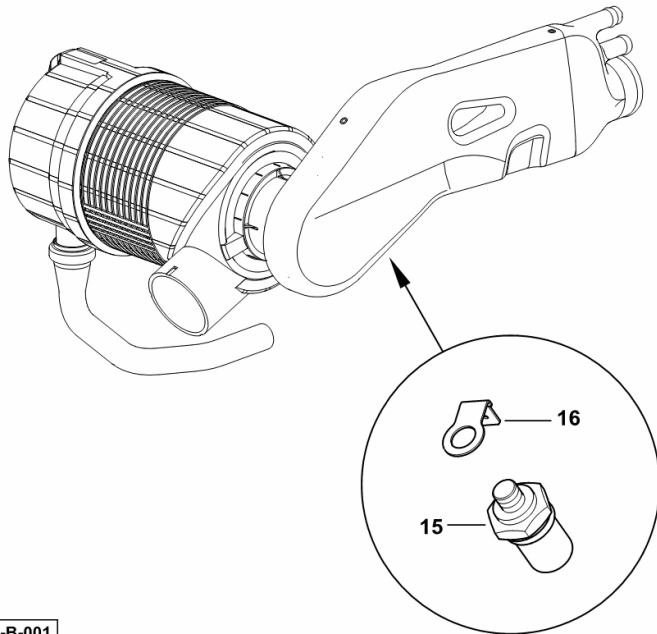
PRESSURE SWITCH FOR AIR CLEANER CLOGGED WARNING LIGHT

Fig.	Code	QTY	Name
------	------	-----	------

Notes:

- VERSION WITH DUST EJECTOR [Agrofarm 100]

15	2.7099.320.0/10	1	pressure switch
16	0.164.8450.0	1	terminal



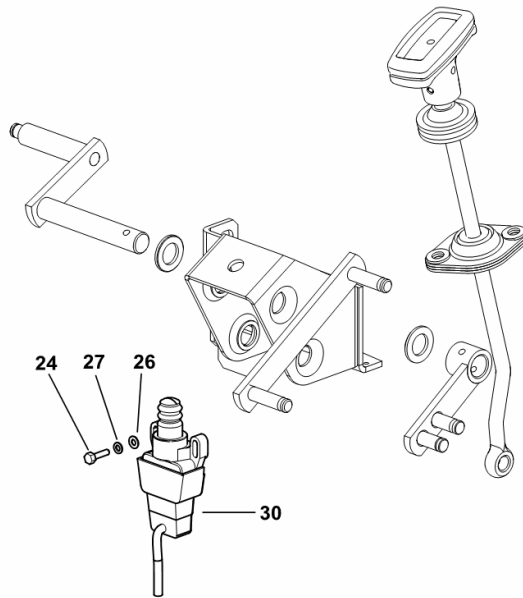
9_H1581_02_0-B-001

Section: L0 - ELECTRIC AL SYSTEM
GROUNDSPEED P.T.O. SWITCH

Fig.	Code	QTY	Name
------	------	-----	------

Notes:
 [Agrofarm 100]

24	2.0119.070.6	2	screw m 4 p.0.7 x 16
26	2.1310.028.2	2	flat washer 4
27	2.1470.052.2	2	lock washer 4
30	2.7659.096.0/10	1	switch



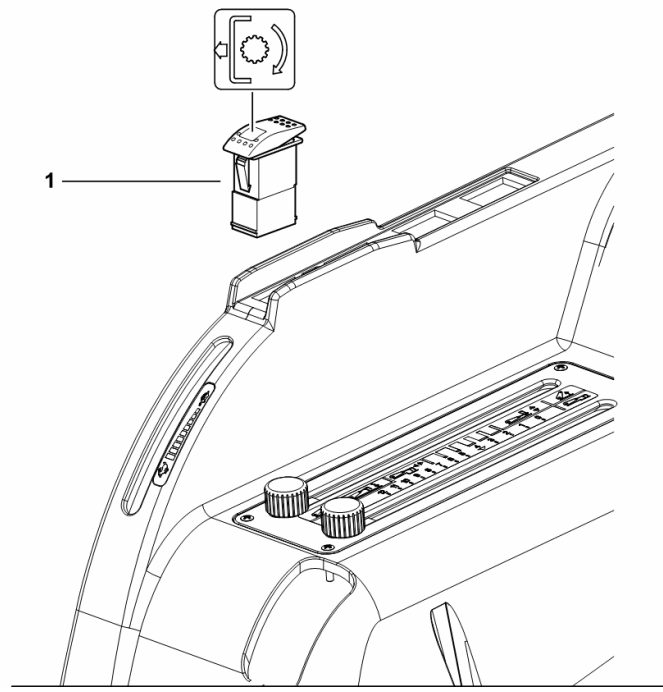
9_62068_01_0-B-001

Section: L0 - ELECTRIC AL SYSTEM
SWITCH - FOR P.T.O. FRONT

Fig.	Code	QTY	Name
------	------	-----	------

Notes:
[Agrofarm 100]

1	2.7659.277.0	1	switch
---	--------------	---	--------



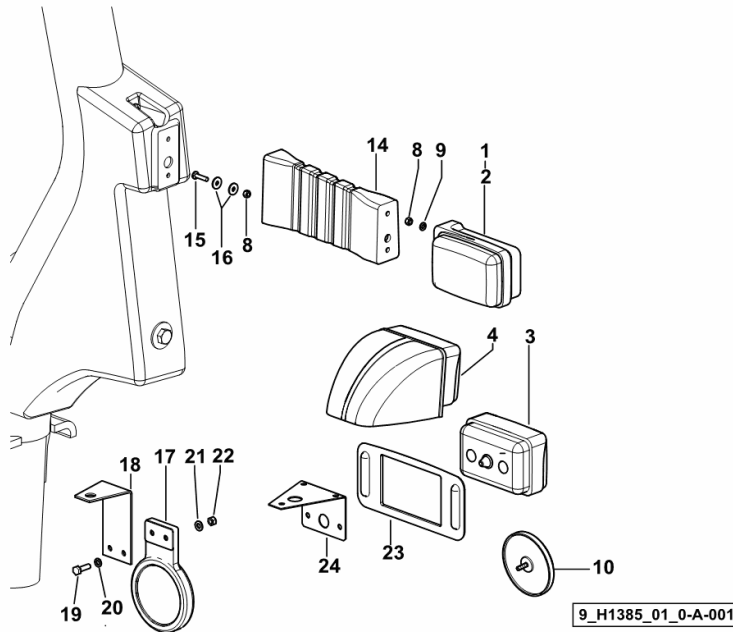
9_H1284_07_0-A-001

FRONT/REAR LIGHTS

Fig.	Code	QTY	Name
------	------	-----	------

Notes:

- FOR TYPES WITH PLATFORM - EXPORT U.S.A. [Agrofarm 100]



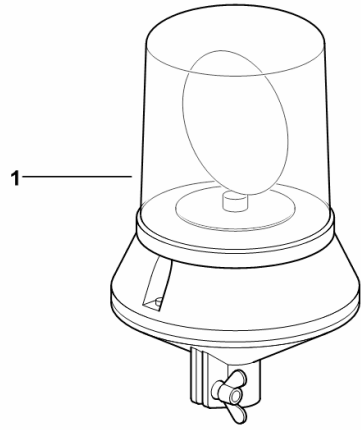
1	2.8059.490.0	1	side lamp dx/rh/re ☞ 2.8059.490.0
2	2.8059.460.0	1	side lamp sx/lh/li ☞ 2.8059.460.0
3	2.8059.450.0	2	lamp ☞ 2.8059.450.0
4	2.8059.440.0/10	2	lamp ☞ 2.8059.440.0/10
8	2.1011.102.2	8	nut m 5 p.0.7
9	2.1470.001.2	4	lock washer 5
10	2.8349.002.2/30	2	reflector Ø 86 mm
14	0.015.2460.0	2	lamp support
15	2.0332.307.2	4	screw m 5 p.0.8 x 20
16	2.1312.002.2	8	washer 5
17	2.8349.008.0/30	2	reflector mm 80
18	0.007.7018.0	2	plate
19	2.0112.007.2	4	screw m 6 p.1 x 20
20	2.1470.002.2	4	washer 6, d128
21	2.1310.002.2	4	washer 6.6, d125
22	2.1011.103.2	4	nut m 6 p.1
23	0.012.6117.0/10	2	lamp support
24	0.012.6958.0	2	lamp support

WARNING BEACON

Fig.	Code	QTY	Name
------	------	-----	------

Notes:
- FOR MODELS WITH CAB [Agrofarm 100]

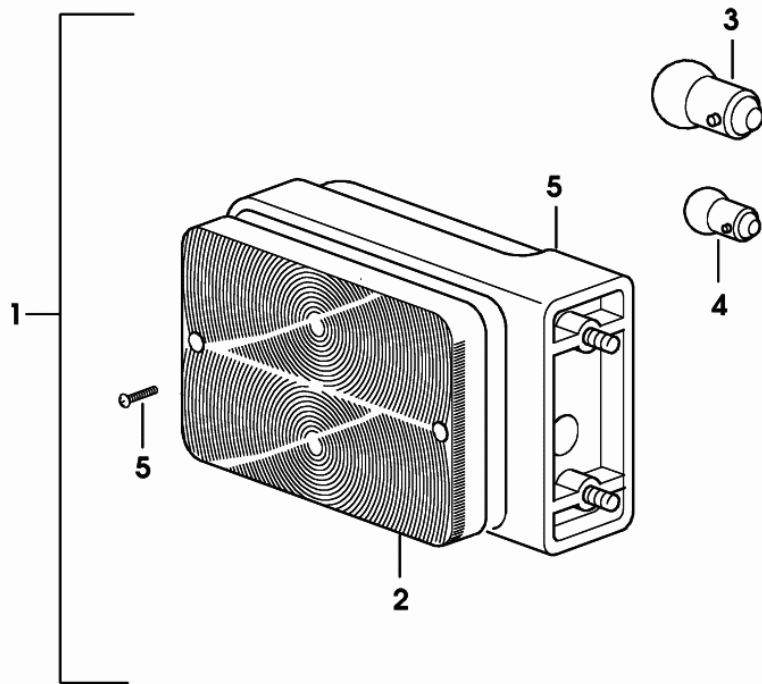
1	0.009.6758.4/10	1	blinker 🔗 0.009.6758.4/10
---	-----------------	---	------------------------------



9_52685_24_0-A-001

HEADLAMP COMPONENTS

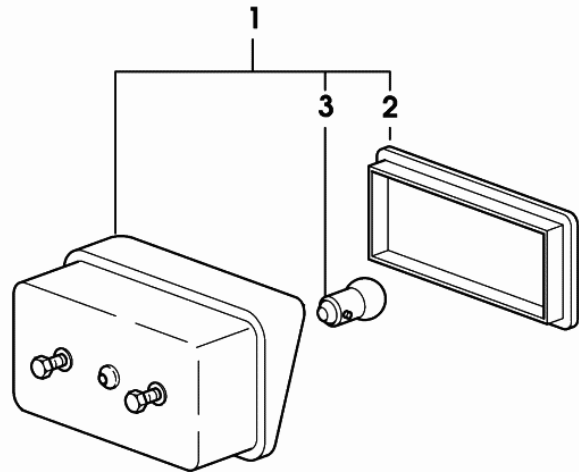
Fig.	Code	QTY	Name
1	2.8019.970.0	1	side lamp dx/rh/re
2	2.8019.200.1	1	light body dx/rh/re
3	2.8313.001.0	1	lamp 12V 21W
4	2.8311.005.0	1	lamp 12 V, 5 W
5	0.000.0000.1	0	not serviceable



2_8019_970_0

HEADLAMP COMPONENTS

Fig.	Code	QTY	Name
1	2.8059.450.0	1	lamp
2	0.010.3487.1	1	guard
3	0.010.3487.2	1	lamp 12V - 5W



2_8059_450_0

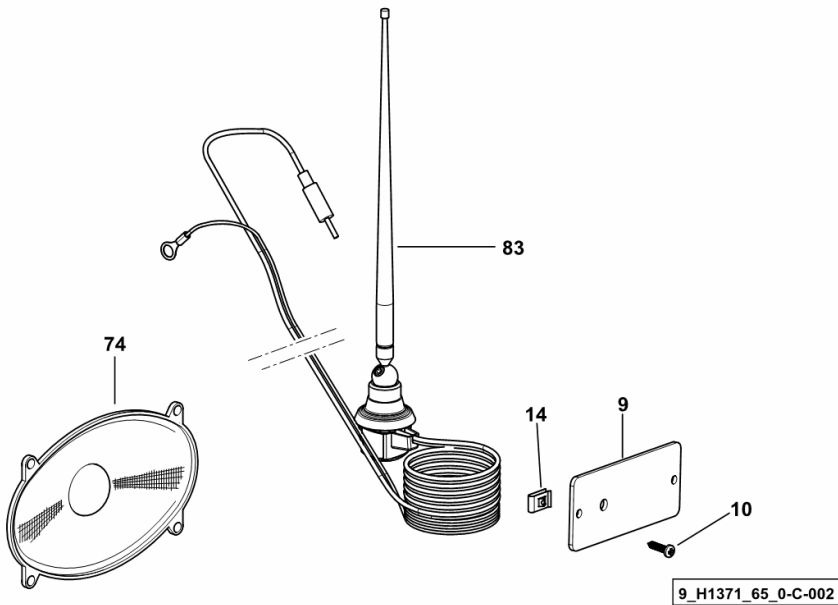
LOUDSPEAKERS AND RADIO ANTENNA

Fig.	Code	QTY	Name
------	------	-----	------

Notes:

- FOR VERSIONS WITH NON- "HIGH VISIBILITY" CABS WITH HEATING AND AIR CONDITIONING [Agrofarm 100] -> 1639

9	0.016.0429.0	1	support
10	2.0350.456.3	2	screw m 4.2 x 19 -AB-
14	2.6999.061.0	2	small spring 4.2
74	0.011.5631.3	2	loud speaker
83	0.011.5630.3/20	1	radio aereo



CLICK HERE TO **DOWNLOAD** THE COMPLETE MANUAL

- Thank you very much for reading the preview of the manual.
- You can download the complete manual from: www.heydownloads.com by clicking the link below



- Please note: If there is no response to CLICKING the link, please download this PDF first and then click on it.

CLICK HERE TO **DOWNLOAD** THE COMPLETE MANUAL

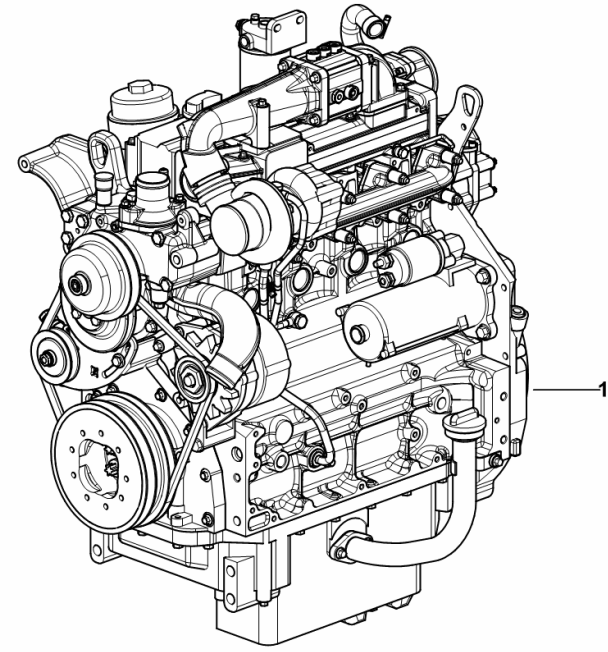
ENGINE

Fig.	Code	QTY	Name
------	------	-----	------

Notes:

[Agrofarm 100]

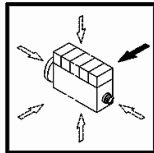
1	25007152	1	engine ON ORDERING PLEASE ENGINE NO. REQUIRED
---	----------	---	---



9_N9219_01_0-A-001

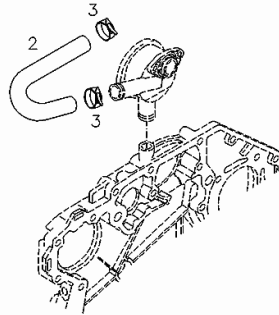
Section: B0 - ENGINE
BLEEDING TUBE

Fig.	Code	QTY	Name							
10543317	10543320	10724062	10724063	10724064	10724065	10724070	10724071	10724072	10724073	10724075
10724076	10724850	10724851	10724861	10724862	10724866	10724868	10724871	10724872	10724876	10724877
10724878	10724885	10724888	10724891	10726906	10726909	10726910	10726911	10726916	10726919	10726920
10731241	10731246	10731248	10731253	10731257	10731258	10733421	10733422	10733423	10733425	10733430
10733436	10733439	10735738	10735990	10735991	10735992	10735993	10735994	10735995	10735997	10736000
10736001	10736003	10736004	10736005	10736007	10738432	10740249	10740260	10740263	10740295	10740303
10740304	10740308	10740312	10740314	10740317	10747802	10747810	10747815	10748593	10748597	10748598
10748599	10748602	10748604	10748606	10748614	10748617	10749564	10749566	10749567	10749570	10749571
10749572	10749573	10749574	10749575	10749576	10749577	10749579	10749580	10749581	10749583	10749584
10749586	10749587	10749968	10749969	10749970	10749971	10749972	10749973	10749974	10749975	10749976
10749977	10749978	10749979	10749980	10749981	10749982	10749983	10749984	10749987	10749988	10749989
10749990	10749991	10751315	10751319	10751329	10768586	10768587	10768588	10768589	10768590	10768591
10768592	10768593	10768594	10768596	10768597	10768599	10768600	10768601	10768603	10768604	10768605



000 ©

2	04258132	1	tube
3	01178750	2	clamp DIN 3021 -A-29X15



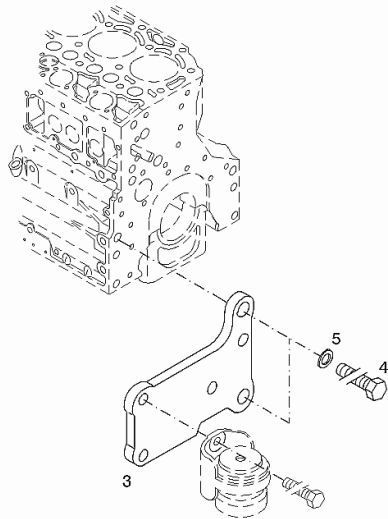
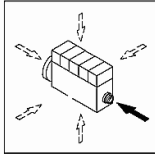
ACCESSORIES

Fig.	Code	QTY	Name
------	------	-----	------

Engine Serial Numbers:

10250005	10250006	10279364	10279367	10291514	10291515	10291516	10291517	10291527	10296390	10296391
10296394	10296395	10296397	10296398	10303948	10305024	10305025	10305026	10305027	10305029	10305031
10305032	10305033	10305040	10308589	10308592	10308596	10308600	10308719	10308721	10308722	10308723
10308725	10308726	10308728	10308729	10309575	10309576	10315948	10321791	10321793	10321794	10321795
10321796	10321799	10321803	10321805	10321807	10321808	10321811	10321812	10321813	10323193	10326424
10326428	10326433	10326434	10326438	10326440	10326441	10326446	10326447	10326449	10326450	10326451
10328425	10328426	10328427	10328428	10328429	10328430	10332828	10332830	10332831	10332836	10332837
10332838	10332841	10332845	10332846	10332862	10332863	10332864	10338076	10338077	10338078	10338079
10338080	10338081	10338082	10338083	10338084	10338086	10338088	10338090	10338091	10338092	10338094
10338095	10338096	10338097	10338098	10342295	10342297	10342298	10342301	10342302	10342304	10342305
10342309	10342312	10342313	10342316	10346207	10346212	10346223	10346224	10346226	10346227	10346228
10346229	10348833	10348834	10348835	10348836	10361867	10361868	10361870	10361871	10361873	10361878
10361890	10368112	10368115	10368126	10369633	10369638	10369639	10369644	10369645	10369646	10372889
10372890	10372891	10372892	10372895	10372896	10372897	10372898	10372903	10372904	10372905	10372906
10372907	10372908	10381020	10381022	10381024	10381031	10381032	10381033	10381034	10381035	10381036
10381046	10381047	10381050	10381052	10381054	10382082	10382085	10388677	10394930	10394931	10394937
10394938	10394939	10394941	10394945	10397282	10397294	10397296	10397302	10397304	10397306	10398914
10402771	10402774	10403129	10403136	10403137	10410558	10410564	10410567	10410568	10410571	10410575
10410576	10410577	10410579	10410580	10410585	10410586	10410587	10415633	10415635	10415644	10415653
10419205	10419207	10419209	10423899	10423901	10423902	10423903	10423905	10425136	10425137	10425138
10425139	10425142	10425143	10425145	10425146	10425147	10425149	10425150	10425153	10425154	10425155
10425156	10425158	10425159	10425160	10425571	10426044	10442704	10442713	10442714	10442724	10442726
10442732	10442733	10442735	10442736	10442737	10442739	10442740	10442742	10442743	10442748	10443769
10443771	10443773	10443774	10443775	10443776	10443777	10443778	10443780	10443781	10443785	10443788
10443789	10443790	10443791	10443792	10443793	10443794	10444935	10444938	10444939	10444942	10444946
10444957	10444960	10444961	10444963	10444964	10444965	10444966	10444967	10444971	10444972	10444974
10448706	10448712	10448721	10448722	10448725	10448728	10449467	10449468	10449470	10449471	10449472
10449478	10449479	10449482	10449485	10449486	10449489	10449490	10449491	10449492	10449493	10449494
10449495	10449496	10449502	10449504	10449506	10449507	10449509	10449510	10449513	10449515	10450444
10454297	10454298	10454299	10454301	10454302	10454308	10454309	10454313	10454314	10454315	10454317
10454318	10454319	10454320	10454321	10454323	10454325	10454327	10454328	10454329	10462170	10462171
10462178	10462180	10462184	10462189	10462192	10462199	10462200	10462208	10462209	10466211	10466212
10466214	10466215	10466216	10466217	10466218	10466219	10466220	10466222	10466226	10466228	10466233
10466235	10470154	10470157	10470158	10470161	10470162	10470165	10470168	10470170	10470175	10470180
10470181	10470183	10470185	10470203	10475649	10475650	10475654	10475658	10475659	10475660	10475661
10475663	10475664	10475665	10475667	10475668	10475671	10475673	10475674	10475684	10475690	10489772
10489774	10489775	10489776	10489777	10489779	10489780	10489781	10489783	10489784	10489785	10489786
10489787	10489788	10489789	10489793	10489794	10489795	10489797	10489802	10489807	10489809	10489810
10489812	10489813	10489814	10489817	10490521	10490525	10490914	10490922	10490923	10490925	10490929
10490936	10490937	10490938	10490939	10490940	10494244	10494246	10494247	10494255	10494258	10494704
10494708	10498477	10498489	10498494	10498495	10498500	10498502	10498505	10498518	10498519	10498520
10500457	10500460	10500463	10500467	10500471	10500473	10500474	10500475	10500477	10507118	10507124
10507126	10507129	10507132	10507142	10511636	10511638	10511640	10511646	10511649	10511650	10511651
10511654	10511657	10511661	10511662	10511663	10511667	10511675	10511679	10523435	10523437	10523438
10523439	10523441	10523442	10523445	10523446	10523447	10523449	10523450	10523452	10523455	10523456
10523459	10523460	10523461	10523463	10523465	10523469	10523470	10523475	10523476	10523481	10530273
10530277	10530278	10530280	10530281	10530288	10530290	10535464	10535465	10535466	10535468	10543273
10543281	10543287	10543293	10543294	10543296	10543297	10543300	10543303	10543305	10543307	10543312

1003 ©

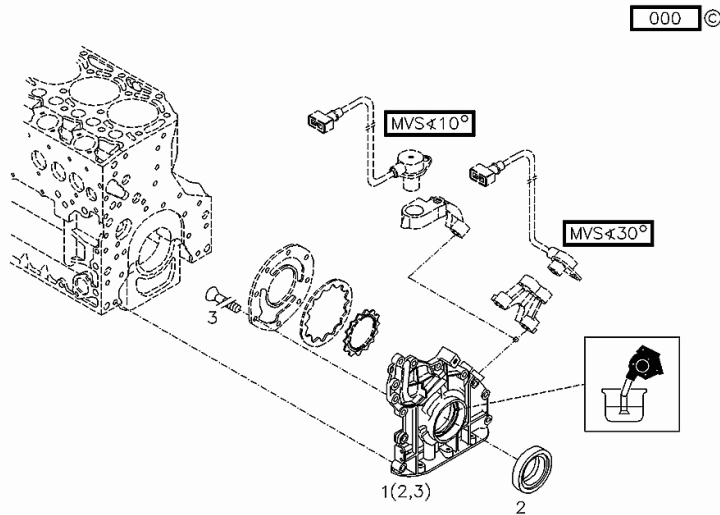
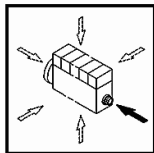


FLANGE

Fig.	Code	QTY	Name
------	------	-----	------

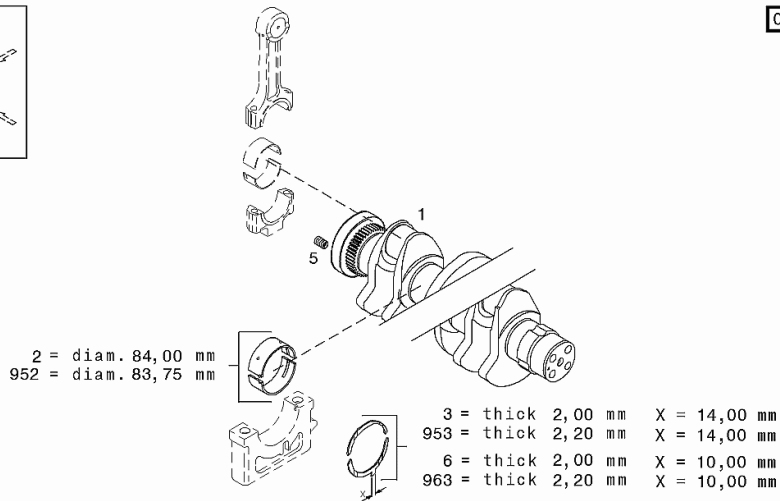
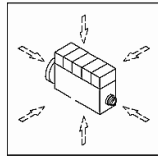
Engine Serial Numbers:

10250005	10250006	10279364	10279367	10291514	10291515	10291516	10291517	10291527	10296390	10296391
10296394	10296395	10296397	10296398	10303948	10305024	10305025	10305026	10305027	10305029	10305031
10305032	10305033	10305040	10308589	10308592	10308596	10308600	10308719	10308721	10308722	10308723
10308725	10308726	10308728	10308729	10309575	10309576	10315948	10321791	10321793	10321794	10321795
10321796	10321799	10321803	10321805	10321807	10321808	10321811	10321812	10321813	10323193	10326424
10326428	10326433	10326434	10326438	10326440	10326441	10326446	10326447	10326449	10326450	10326451
10328425	10328426	10328427	10328428	10328429	10328430	10332828	10332830	10332831	10332836	10332837
10332838	10332841	10332845	10332846	10332862	10332863	10332864	10338076	10338077	10338078	10338079
10338080	10338081	10338082	10338083	10338084	10338086	10338088	10338090	10338091	10338092	10338094
10338095	10338096	10338097	10338098	10342295	10342297	10342298	10342301	10342302	10342304	10342305
10342309	10342312	10342313	10342316	10346207	10346212	10346223	10346224	10346226	10346227	10346228
10346229	10348833	10348834	10348835	10348836	10361867	10361868	10361870	10361871	10361873	10361878
10361890	10368112	10368115	10368126	10369633	10369638	10369639	10369644	10369645	10369646	10372889
10372890	10372891	10372892	10372895	10372896	10372897	10372898	10372903	10372904	10372905	10372906
10372907	10372908	10381020	10381022	10381024	10381031	10381032	10381033	10381034	10381035	10381036
10381046	10381047	10381050	10381052	10381054	10382082	10382085	10388677	10394930	10394931	10394937
10394938	10394939	10394941	10394945	10397282	10397294	10397296	10397302	10397304	10397306	10398914
10402771	10402774	10403129	10403136	10403137	10410558	10410564	10410567	10410568	10410571	10410575
10410576	10410577	10410579	10410580	10410585	10410586	10410587	10415633	10415635	10415644	10415653
10419205	10419207	10419209	10423899	10423901	10423902	10423903	10423905	10425136	10425137	10425138
10425139	10425142	10425143	10425145	10425146	10425147	10425149	10425150	10425153	10425154	10425155
10425156	10425158	10425159	10425160	10425571	10426044	10442704	10442713	10442714	10442724	10442726
10442732	10442733	10442735	10442736	10442737	10442739	10442740	10442742	10442743	10442748	10443769
10443771	10443773	10443774	10443775	10443776	10443777	10443778	10443780	10443781	10443785	10443788
10443789	10443790	10443791	10443792	10443793	10443794	10444935	10444938	10444939	10444942	10444946
10444957	10444960	10444961	10444963	10444964	10444965	10444966	10444967	10444971	10444972	10444978
10448706	10448712	10448721	10448722	10448725	10448728	10449467	10449468	10449470	10449471	10449472
10449478	10449479	10449482	10449485	10449486	10449489	10449490	10449491	10449492	10449493	10449494
10449495	10449496	10449502	10449504	10449506	10449507	10449509	10449510	10449513	10449515	10450444
10454297	10454298	10454299	10454301	10454302	10454308	10454309	10454313	10454314	10454315	10454317
10454318	10454319	10454320	10454321	10454323	10454325	10454327	10454328	10454329	10462170	10462171
10462178	10462180	10462184	10462189	10462192	10462199	10462200	10466208	10466209	10466211	10466212
10466214	10466215	10466216	10466217	10466218	10466219	10466220	10466222	10466226	10466228	10466233
10466235	10470154	10470157	10470158	10470161	10470162	10470165	10470168	10470170	10470175	10470180
10470181	10470183	10470185	10470203	10475649	10475650	10475654	10475658	10475659	10475660	10475661
10475663	10475664	10475665	10475667	10475668	10475671	10475673	10475674	10475683	10475690	10489772
10489774	10489775	10489776	10489777	10489779	10489780	10489781	10489783	10489784	10489785	10489786
10489787	10489788	10489789	10489793	10489794	10489795	10489797	10489802	10489807	10489809	10489810
10489812	10489813	10489814	10489817	10490521	10490525	10490914	10490922	10490923	10490925	10490929
10490936	10490937	10490938	10490939	10490940	10494244	10494246	10494247	10494255	10494258	10494704
10494708	10498477	10498489	10498494	10498495	10498500	10498502	10498505	10498518	10498519	10498520
10500457	10500460	10500463	10500467	10500471	10500473	10500474	10500475	10500477	10507118	10507124
10507126	10507129	10507132	10507142	10511636	10511638	10511640	10511646	10511649	10511650	10511651
10511654	10511657	10511661	10511662	10511663	10511667	10511675	10511679	10523435	10523437	10523438
10523439	10523441	10523442	10523445	10523446	10523447	10523449	10523450	10523452	10523455	10523456
10523459	10523460	10523461	10523463	10523465	10523469	10523470	10523475	10523476	10523481	10530273
10530277	10530278	10530280	10530281	10530288	10530290	10535464	10535465	10543264	10543268	10543273
10543281	10543287	10543293	10543294	10543296	10543297	10543300	10543303	10543305	10543307	10543314



Section: B0 - ENGINE
CRANKSHAFT

Fig.	Code	QTY	Name
1	04502837	1	crank shaft
2	02931062	5	main bearing STANDARD NORMAL (A) MM RD, UNDERSIZE SEE POS. (B) A = 84.00 B = POS. 952
3	02931331	2	snoulder STANDARD NORMAL (A) MM, OVERSIZE SEE POS. (B) POS. (B) A = 2.00 B = Pos. 953
5	01172066	10	insert H 2358 -AM10X1X20
6	02931063	2	snoulder STANDARD NORMAL (A) MM, OVERSIZE SEE POS. (B) POS. (B) A = 2.00 B = Pos. 963
952	02931071	1	main bearing - mm 0.25 1st UNDERSIZE 83.75 mm
953	02931332	1	snoulder 1st OVERSIZE 2.20 MM
963	02931074	1	snoulder 1st OVERSIZE 2.20 MM



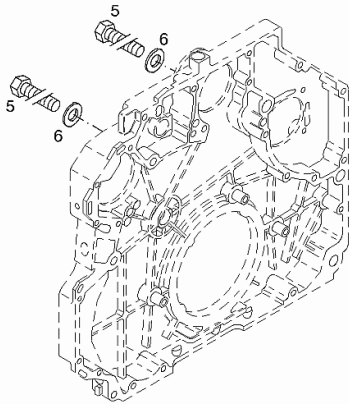
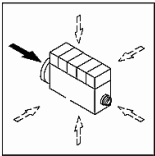
FASTENINGS

Fig.	Code	QTY	Name
------	------	-----	------

10543317	10543320	10724062	10724063	10724064	10724065	10724070	10724071	10724072	10724073	10724075
10724076	10724850	10724851	10724861	10724862	10724866	10724868	10724871	10724872	10724876	10724877
10724878	10724885	10724888	10724891	10726906	10726909	10726910	10726911	10726916	10726919	10726920
10731241	10731246	10731248	10731253	10731257	10731258	10733421	10733422	10733423	10733425	10733430
10733436	10733439	10735738	10735990	10735991	10735992	10735993	10735994	10735995	10735997	10736000
10736001	10736003	10736004	10736005	10736007	10738432	10740249	10740260	10740263	10740295	10740303
10740304	10740308	10740312	10740314	10740317	10747802	10747810	10747815	10748593	10748597	10748598
10748599	10748602	10748604	10748606	10748614	10748617	10749564	10749566	10749567	10749570	10749571
10749572	10749573	10749574	10749575	10749576	10749577	10749579	10749580	10749581	10749583	10749584
10749586	10749587	10749968	10749969	10749970	10749971	10749972	10749973	10749974	10749975	10749976
10749977	10749978	10749979	10749980	10749981	10749982	10749983	10749984	10749987	10749988	10749989
10749990	10749991	10751315	10751319	10751329	10768586	10768587	10768588	10768589	10768590	10768591
10768592	10768593	10768594	10768596	10768597	10768599	10768600	10768601	10768603	10768604	10768605

000 ©

5	01148131	2	screw ISO 4017 -M16X60-10.9-ZNAL-A
6	01107117	2	washer 17 DIN 125 -A17-140HV-A4C



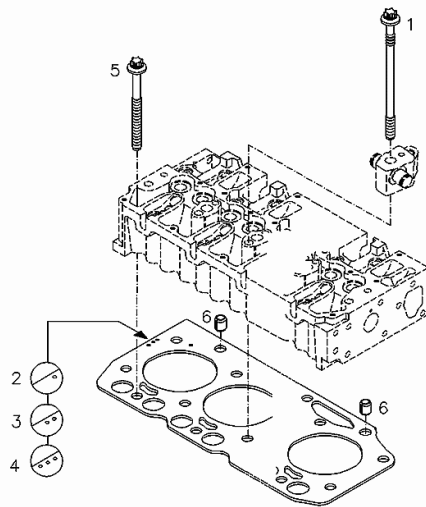
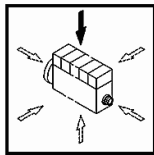
FASTENINGS

Fig.	Code	QTY	Name
------	------	-----	------

Engine Serial Numbers:

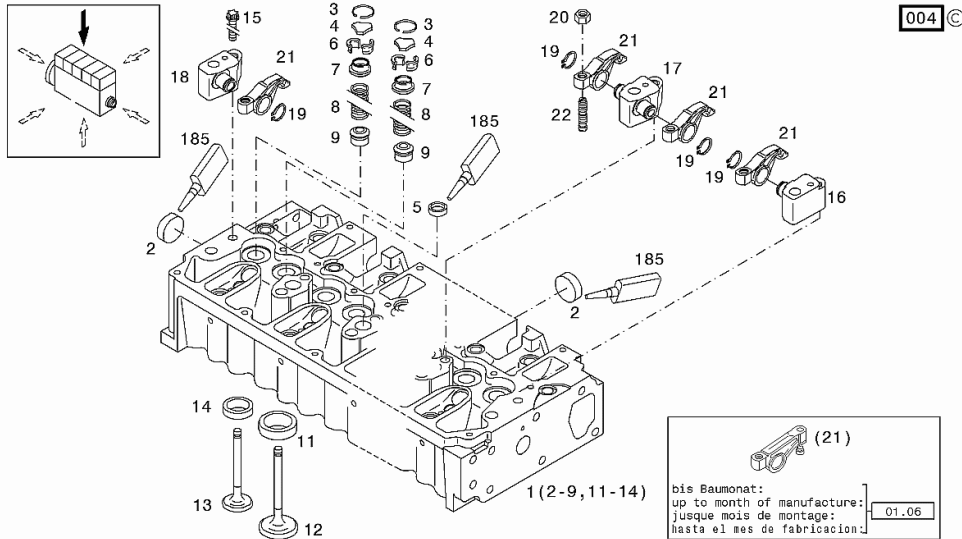
10250005 10250006 10279364 10279367

1	04251250	5	screw
2	04284065	1	gasket DEPENDING ON THE MEASUREMENT, GASKET THICKNESS DELIVERY STATUS (A)= ...MM ASSEMBLY STATUS (B)= ...MM FOR OTHER THICKNESSESS SEE POS. (C) A = 1.25 B = 1.20 C = POS.3,4
3	04284066	1	gasket DEPENDING ON THE MEASUREMENT, GASKET THICKNESS DELIVERY STATUS (A)= ...MM ASSEMBLY STATUS (B)= ...MM FOR OTHER THICKNESSESS SEE POS. (C) A = 1.41 B = 1.30 C = POS.2,4
4	04284067	1	gasket DEPENDING ON THE MEASUREMENT, GASKET THICKNESS DELIVERY STATUS (A)= ...MM ASSEMBLY STATUS (B)= ...MM FOR OTHER THICKNESSESS SEE POS. (C) A = 1.52 B = 1.40 MM C = POS.2,3
5	04251251	13	screw
6	01181405	2	grain H 2341 -B15X18-FE/ZN12C*



Section: B0 - ENGINE
CYLINDER HEAD

Fig.	Code	QTY	Name
16	04195928	1	DIN 34800 -BM8X45-12.9-ZNAL-A support
17	04195922	3	support
18	04195924	1	support
19	01107731	8	circlip DIN 471 -21X1,2
20	02109637	8	nut
21	04289278	8	rocker - FROM MONTH OF ASSEMBLY SEE POS. (B) - UP TO MONTH OF ASSEMBLY (A) FROM MONTH OF ASSEMBLY A = 02.06 B = POS. 950
22	03365861	8	register - UP TO MONTH OF ASSEMBLY (A) - FROM MONTH OF ASSEMBLY SEE POS. (B) A = UP TO 08.2007 B = Pos.954
185	01016127	10	sealing compound ml. 50 H 0699 -DEUTZDW72-50ML
950	04254301	8	rocker - UP TO MONTH OF ASSEMBLY (A) - FROM MONTH OF ASSEMBLY SEE POS. (B) A = 01.06 B = 21
951	04283376	4	inlet valve - UP TO MONTH OF ASSEMBLY (A) - FROM MONTH OF ASSEMBLY SEE POS. (B) A = 01.06 B = 12
952	04283377	4	exhaust valve - UP TO MONTH OF ASSEMBLY (A) - FROM MONTH OF ASSEMBLY SEE POS. (B) A = 01.06 B = 13
953	04258257	8	cup - UP TO MONTH OF ASSEMBLY (A) - FROM MONTH OF ASSEMBLY SEE POS. (B) A = 01.06 B = 7
954	04295639	8	register - FROM MONTH OF ASSEMBLY SEE POS. (B) - UP TO MONTH OF ASSEMBLY (A) FROM MONTH OF ASSEMBLY A = from 09.2007 B = pos. 22
955	04285384	1	engine head - UP TO MONTH OF ASSEMBLY (A) - FROM MONTH OF ASSEMBLY SEE POS. (B) A = UP TO 01.2006 B = POS.1



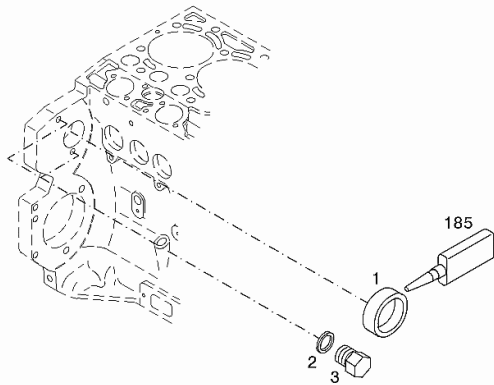
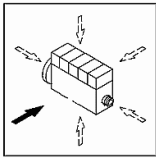
CLOSING COMPONENTS

Fig.	Code	QTY	Name
------	------	-----	------

10543317	10543320	10724062	10724063	10724064	10724065	10724070	10724071	10724072	10724073	10724075
10724076	10724850	10724851	10724861	10724862	10724866	10724868	10724871	10724872	10724876	10724877
10724878	10724885	10724888	10724891	10726906	10726909	10726910	10726911	10726916	10726919	10726920
10731241	10731246	10731248	10731253	10731257	10731258	10733421	10733422	10733423	10733425	10733430
10733436	10733439	10735738	10735990	10735991	10735992	10735993	10735994	10735995	10735997	10736000
10736001	10736003	10736004	10736005	10736007	10738432	10740249	10740260	10740263	10740295	10740303
10740304	10740308	10740312	10740314	10740317	10747802	10747810	10747815	10748593	10748597	10748598
10748599	10748602	10748604	10748606	10748614	10748617	10749564	10749566	10749567	10749570	10749571
10749572	10749573	10749574	10749575	10749576	10749577	10749579	10749580	10749581	10749583	10749584
10749586	10749587	10749968	10749969	10749970	10749971	10749972	10749973	10749974	10749975	10749976
10749977	10749978	10749979	10749980	10749981	10749982	10749983	10749984	10749987	10749988	10749989
10749990	10749991	10751315	10751319	10751329	10768586	10768587	10768588	10768589	10768590	10768591
10768592	10768593	10768594	10768596	10768597	10768599	10768600	10768601	10768603	10768604	10768605

003 ©

1	01165839	1	stop H 711 -B50
2	01118659	2	'o' ring DIN 7603 -A10X13,5-CU
3	01181401	2	screw 30 Nm
185	01016127	1	sealing compound ml. 50 H 0699 -DEUTZDW72-50ML

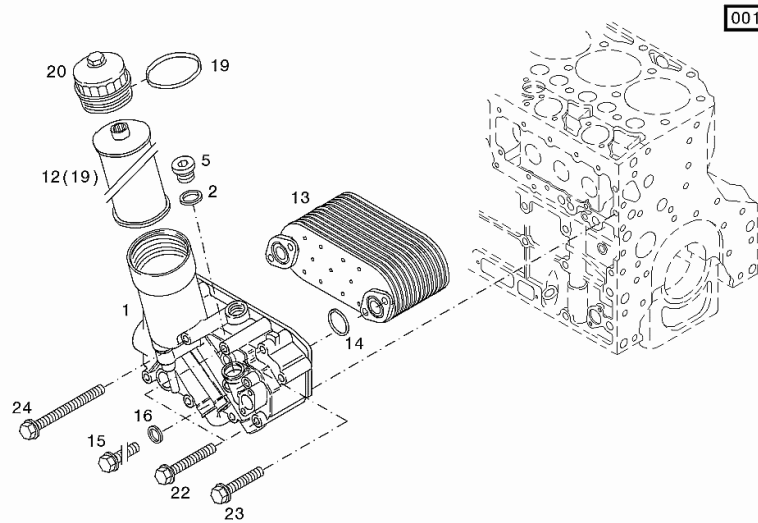
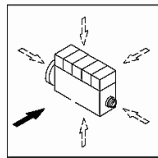


Section: B0 - ENGINE
OIL COOLER BOX

Fig.	Code	QTY	Name
------	------	-----	------

Engine Serial Numbers:

10250005	10250006	10279364	10279367	10291514	10291515	10291516	10291517	10291527	10296390	10296391
10296394	10296395	10296397	10296398	10303948	10305024	10305025	10305026	10305027	10305029	10305031
10305032	10305033	10305040	10308589	10308592	10308596	10308600	10308719	10308721	10308722	10308723
10308725	10308726	10308728	10308729	10309575	10309576	10315948	10321791	10321793	10321794	10321795
10321796	10321799	10321803	10321805	10321807	10321808	10321811	10321812	10321813	10323193	10326424
10326428	10326433	10326434	10326438	10326440	10326441	10326446	10326447	10326449	10326450	10326451
10328425	10328426	10328427	10328428	10328429	10328430	10332828	10332830	10332831	10332836	10332837
10332838	10332841	10332845	10332846	10332862	10332863	10332864	10338076	10338077	10338078	10338079
10338080	10338081	10338082	10338083	10338084	10338086	10338088	10338090	10338091	10338092	10338094
10338095	10338096	10338097	10338098	10342295	10342297	10342298	10342301	10342302	10342304	10342305
10342309	10342312	10342313	10342316	10346207	10346212	10346223	10346224	10346226	10346227	10346228
10346229	10348833	10348834	10348835	10348836	10361867	10361868	10361870	10361871	10361873	10361878
10361890	10368112	10368115	10368126	10369633	10369638	10369639	10369644	10369645	10369646	10372889
10372890	10372891	10372892	10372895	10372896	10372897	10372898	10372903	10372904	10372905	10372906
10372907	10372908	10381020	10381022	10381024	10381031	10381032	10381033	10381034	10381035	10381036
10381046	10381047	10381050	10381052	10381054	10382082	10382085	10388677	10394930	10394931	10394937
10394938	10394939	10394941	10394945	10397282	10397294	10397296	10397302	10397304	10397306	10398914
10402771	10402774	10403129	10403136	10403137	10410558	10410564	10410567	10410568	10410571	10410575
10410576	10410577	10410579	10410580	10410585	10410586	10410587	10415633	10415635	10415644	10415653
10419205	10419207	10419209	10423899	10423901	10423902	10423903	10423905	10425136	10425137	10425138
10425139	10425142	10425143	10425145	10425146	10425147	10425149	10425150	10425153	10425154	10425155
10425156	10425158	10425159	10425160	10425571	10426044	10442704	10442713	10442714	10442724	10442726
10442732	10442733	10442735	10442736	10442737	10442739	10442740	10442742	10442743	10442748	10443769
10443771	10443773	10443774	10443775	10443776	10443777	10443778	10443780	10443781	10443785	10443788
10443789	10443790	10443791	10443792	10443793	10443794	10444935	10444938	10444939	10444942	10444946
10444957	10444960	10444961	10444963	10444964	10444965	10444966	10444967	10444972	10444974	10448699
10448706	10448712	10448721	10448722	10448725	10448728	10449467	10449468	10449470	10449471	10449472
10449478	10449479	10449482	10449485	10449486	10449489	10449490	10449491	10449492	10449493	10449494
10449495	10449496	10449502	10449504	10449506	10449507	10449509	10449510	10449513	10449515	10450444
10454297	10454298	10454299	10454301	10454302	10454308	10454309	10454313	10454314	10454315	10454317
10454318	10454319	10454320	10454321	10454323	10454325	10454327	10454328	10454329	10462170	10462171
10462178	10462180	10462184	10462189	10462192	10462199	10462200	10462208	10462209	10466211	10466212
10466214	10466215	10466216	10466217	10466218	10466219	10466220	10466222	10466226	10466228	10466233
10466235	10470154	10470157	10470158	10470161	10470162	10470165	10470168	10470170	10470175	10470180
10470181	10470183	10470185	10470203	10475649	10475650	10475654	10475658	10475659	10475660	10475661
10475663	10475664	10475665	10475667	10475668	10475671	10475673	10475674	10475678	10475690	10489772
10489774	10489775	10489776	10489777	10489779	10489780	10489781	10489783	10489784	10489785	10489786
10489787	10489788	10489789	10489793	10489794	10489795	10489797	10489802	10489807	10489809	10489810
10489812	10489813	10489814	10489817	10490521	10490525	10490914	10490922	10490923	10490925	10490929
10490936	10490937	10490938	10490939	10490940	10494244	10494246	10494247	10494255	10494258	10494704
10494708	10498477	10498489	10498494	10498495	10498500	10498502	10498505	10498518	10498519	10498520
10500457	10500460	10500463	10500467	10500471	10500473	10500474	10500475	10500477	10507118	10507124
10507126	10507129	10507132	10507142	10511636	10511638	10511640	10511646	10511649	10511650	10511651
10511654	10511657	10511661	10511662	10511663	10511667	10511675	10511679	10523435	10523437	10523438
10523439	10523441	10523442	10523445	10523446	10523447	10523449	10523450	10523452	10523455	10523456
10523459	10523460	10523461	10523463	10523465	10523469	10523470	10523475	10523476	10523481	10530273
10530277	10530278	10530280	10530281	10530288	10530290	10535464	10535465	10535466	10543268	10543273
10543281	10543287	10543293	10543294	10543296	10543297	10543300	10543303	10543305	10543307	10543312

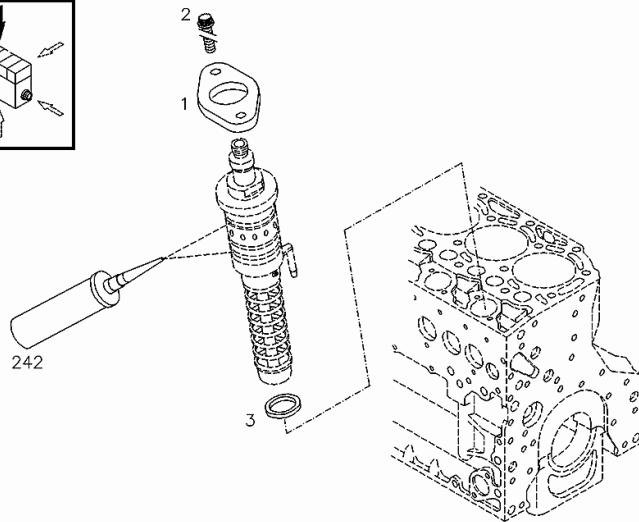
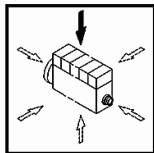


FASTENINGS

Fig.	Code	QTY	Name
------	------	-----	------

Engine Serial Numbers:

10250005	10250006	10279364	10279367	10291514	10291515	10291516	10291517	10291527	10296390	10296391
10296394	10296395	10296397	10296398	10305024	10305025	10305026	10305027	10305029	10305031	10305032
10305033	10305040	10308589	10308592	10308596	10308600	10308719	10308721	10308722	10308723	10308725
10308726	10308728	10308729	10315948	10321791	10321793	10321794	10321795	10321796	10321799	10321803
10321805	10321807	10321808	10321811	10321812	10321813	10323193	10326424	10326428	10326433	10326434
10326438	10326440	10326441	10326446	10326447	10326449	10326450	10326451	10332828	10332830	10332831
10332836	10332837	10332838	10332841	10332845	10332846	10332862	10332863	10332864	10338076	10338077
10338078	10338079	10338080	10338081	10338082	10338083	10338084	10338086	10338088	10338090	10338091
10338092	10338094	10338095	10338096	10338097	10338098	10342295	10342297	10342298	10342301	10342302
10342304	10342305	10342309	10342312	10342313	10342316	10346207	10346212	10346223	10346224	10346226
10346227	10346228	10346229	10361867	10361868	10361870	10361871	10361873	10361878	10361890	10368112
10368115	10368126	10369633	10369638	10369639	10369644	10369645	10369646	10372889	10372890	10372891
10372892	10372895	10372896	10372897	10372898	10372903	10372904	10372905	10372906	10372907	10372908
10381020	10381022	10381024	10381031	10381032	10381033	10381034	10381035	10381036	10381046	10381047
10381050	10381052	10381054	10382082	10382085	10388677	10394930	10394931	10394937	10394938	10394939
10394941	10394945	10397282	10397294	10397296	10397302	10397304	10397306	10398914	10403129	10403136
10403137	10410558	10410564	10410567	10410568	10410571	10410575	10410576	10410577	10410579	10410580
10410585	10410586	10410587	10415633	10415635	10415644	10415653	10419205	10419207	10419209	10423899
10423901	10423902	10423903	10423905	10425136	10425137	10425138	10425139	10425142	10425143	10425145
10425146	10425147	10425149	10425150	10425153	10425154	10425155	10425156	10425158	10425159	10425160
10425571	10426044	10442704	10442713	10442714	10442724	10442726	10442732	10442733	10442735	10442736
10442737	10442739	10442740	10442742	10442743	10442748	10443769	10443771	10443773	10443774	10443775
10443776	10443777	10443778	10443780	10443781	10443785	10443788	10443789	10443790	10443791	10443792
10443793	10443794	10444935	10444938	10444939	10444942	10444946	10444957	10444960	10444961	10444963
10444964	10444965	10444966	10444967	10444971	10444972	10448699	10448706	10448712	10448721	10448722
10448725	10448728	10449467	10449468	10449470	10449471	10449472	10449478	10449479	10449482	10449485
10449486	10449489	10449490	10449491	10449492	10449493	10449494	10449495	10449496	10449502	10449504
10449506	10449507	10449509	10449510	10449513	10449515	10450444	10454297	10454298	10454299	10454301
10454302	10454308	10454309	10454313	10454314	10454315	10454317	10454318	10454319	10454320	10454321
10454323	10454325	10454327	10454328	10454329	10462170	10462171	10462178	10462180	10462184	10462189
10462192	10462199	10462200	10466208	10466209	10466211	10466212	10466214	10466215	10466216	10466217
10466218	10466219	10466220	10466222	10466226	10466228	10466233	10466235	10470154	10470157	10470158
10470161	10470162	10470165	10470168	10470170	10470175	10470180	10470181	10470183	10470185	10470203
10475649	10475650	10475654	10475658	10475659	10475660	10475661	10475663	10475664	10475665	10475667
10475668	10475671	10475673	10475674	10475683	10475690	10489772	10489774	10489775	10489776	10489777
10489779	10489780	10489781	10489783	10489784	10489785	10489786	10489787	10489788	10489789	10489793
10489794	10489795	10489797	10489802	10489807	10489809	10489810	10489812	10489813	10489814	10489817
10490521	10490525	10490914	10490922	10490923	10490925	10490929	10490936	10490937	10490938	10490939
10490940	10494244	10494246	10494247	10494255	10494258	10494704	10494708	10498477	10498489	10498494
10498495	10498500	10498502	10498505	10498518	10498519	10498520	10500457	10500460	10500463	10500467
10500471	10500473	10500474	10500475	10500477	10507118	10507124	10507126	10507129	10507132	10507142
10511636	10511638	10511640	10511646	10511649	10511650	10511651	10511654	10511657	10511661	10511662
10511663	10511667	10511675	10511679	10523435	10523437	10523438	10523439	10523441	10523442	10523445
10523446	10523447	10523449	10523450	10523452	10523455	10523456	10523459	10523460	10523461	10523463
10523465	10523469	10523470	10523475	10523476	10523481	10530273	10530277	10530278	10530280	10530281
10530288	10530290	10535464	10535465	10543264	10543268	10543273	10543281	10543287	10543293	10543294
10543296	10543297	10543300	10543303	10543305	10543307	10543314	10543317	10543320	10543321	10724063
10724064	10724065	10724070	10724071	10724072	10724073	10724075	10724076	10724850	10724851	10724854



003 ©

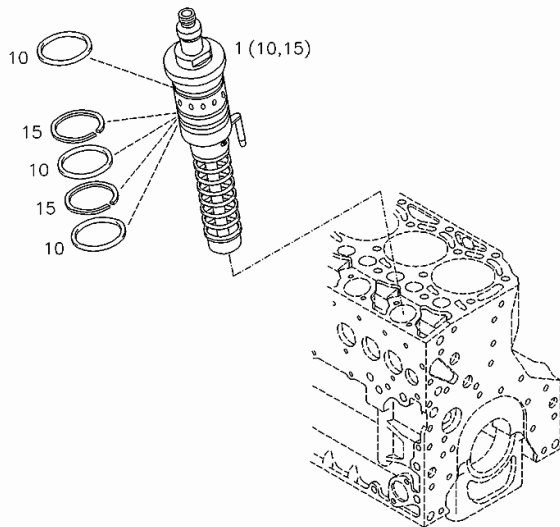
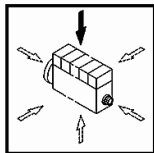
0507 4859

Section: B0 - ENGINE
FUEL INJECT. PUMP

Fig.	Code	QTY	Name
------	------	-----	------

Engine Serial Numbers:

10250005	10250006	10279364	10279367	10291514	10291515	10291516	10291517	10291527	10296390	10296391
10296394	10296395	10296397	10296398	10305024	10305025	10305026	10305027	10305029	10305031	10305032
10305033	10305040	10308589	10308592	10308596	10308600	10308719	10308721	10308722	10308723	10308725
10308726	10308728	10308729	10315948	10321791	10321793	10321794	10321795	10321796	10321799	10321803
10321805	10321807	10321808	10321811	10321812	10321813	10323193	10326424	10326428	10326433	10326434
10326438	10326440	10326441	10326446	10326447	10326449	10326450	10326451	10332828	10332830	10332831
10332836	10332837	10332838	10332841	10332845	10332846	10332862	10332863	10332864	10338076	10338077
10338078	10338079	10338080	10338081	10338082	10338083	10338084	10338086	10338088	10338090	10338091
10338092	10338094	10338095	10338096	10338097	10338098	10342295	10342297	10342298	10342301	10342302
10342304	10342305	10342309	10342312	10342313	10342316	10346207	10346212	10346223	10346224	10346226
10346227	10346228	10346229	10361867	10361868	10361870	10361871	10361873	10361878	10361890	10368112
10368115	10368126	10369633	10369638	10369639	10369644	10369645	10369646	10372889	10372890	10372891
10372892	10372895	10372896	10372897	10372898	10372903	10372904	10372905	10372906	10372907	10372908
10381020	10381022	10381024	10381031	10381032	10381033	10381034	10381035	10381036	10381046	10381047
10381050	10381052	10381054	10382082	10382085	10388677	10394930	10394931	10394937	10394938	10394939
10394941	10394945	10397282	10397294	10397296	10397302	10397304	10397306	10398914	10403129	10403136
10403137	10410558	10410564	10410567	10410568	10410571	10410575	10410576	10410577	10410579	10410580
10410585	10410586	10410587	10415633	10415635	10415644	10415653	10419205	10419207	10419209	10423899
10423901	10423902	10423903	10423905	10425136	10425137	10425138	10425139	10425142	10425143	10425145
10425146	10425147	10425149	10425150	10425153	10425154	10425155	10425156	10425158	10425159	10425160
10425571	10426044	10442704	10442713	10442714	10442724	10442726	10442732	10442733	10442735	10442736
10442737	10442739	10442740	10442742	10442743	10442748	10443769	10443771	10443773	10443774	10443775
10443776	10443777	10443778	10443780	10443781	10443785	10443788	10443789	10443790	10443791	10443792
10443793	10443794	10444935	10444938	10444939	10444942	10444946	10444957	10444960	10444961	10444963
10444964	10444965	10444966	10444967	10444971	10444972	10448699	10448706	10448712	10448721	10448722
10448725	10448728	10449467	10449468	10449470	10449471	10449472	10449478	10449479	10449482	10449485
10449486	10449489	10449490	10449491	10449492	10449493	10449494	10449495	10449496	10449502	10449504
10449506	10449507	10449509	10449510	10449513	10449515	10450444	10454297	10454298	10454299	10454301
10454302	10454308	10454309	10454313	10454314	10454315	10454317	10454318	10454319	10454320	10454321
10454323	10454325	10454327	10454328	10454329	10462170	10462171	10462178	10462180	10462184	10462189
10462192	10462199	10462200	10466208	10466209	10466211	10466212	10466214	10466215	10466216	10466217
10466218	10466219	10466220	10466222	10466226	10466228	10466233	10466235	10470154	10470157	10470158
10470161	10470162	10470165	10470168	10470170	10470175	10470180	10470181	10470183	10470185	10470203
10475649	10475650	10475654	10475658	10475659	10475660	10475661	10475663	10475664	10475665	10475667
10475668	10475671	10475673	10475674	10475683	10475690	10489772	10489774	10489775	10489776	10489777
10489779	10489780	10489781	10489783	10489784	10489785	10489786	10489787	10489788	10489789	10489793
10489794	10489795	10489797	10489802	10489807	10489809	10489810	10489812	10489813	10489814	10489817
10490521	10490525	10490914	10490922	10490923	10490925	10490929	10490936	10490937	10490938	10490939
10490940	10494244	10494246	10494247	10494255	10494258	10494704	10494708	10498477	10498489	10498494
10498495	10498500	10498502	10498505	10498518	10498519	10498520	10500457	10500460	10500463	10500467
10500471	10500473	10500474	10500475	10500477	10507118	10507124	10507126	10507129	10507132	10507142
10511636	10511638	10511640	10511646	10511649	10511650	10511651	10511654	10511657	10511661	10511662
10511663	10511667	10511675	10511679	10523435	10523437	10523438	10523439	10523441	10523442	10523445
10523446	10523447	10523449	10523450	10523452	10523455	10523456	10523459	10523460	10523461	10523463
10523465	10523469	10523470	10523475	10523476	10523481	10530273	10530277	10530278	10530280	10530281
10530288	10530290	10535464	10535465	10543264	10543268	10543273	10543281	10543287	10543293	10543294
10543296	10543297	10543300	10543303	10543305	10543307	10543314	10543321	10543328	10543622	10724063
10724064	10724065	10724070	10724071	10724072	10724073	10724075	10724076	10724850	10724851	10724852

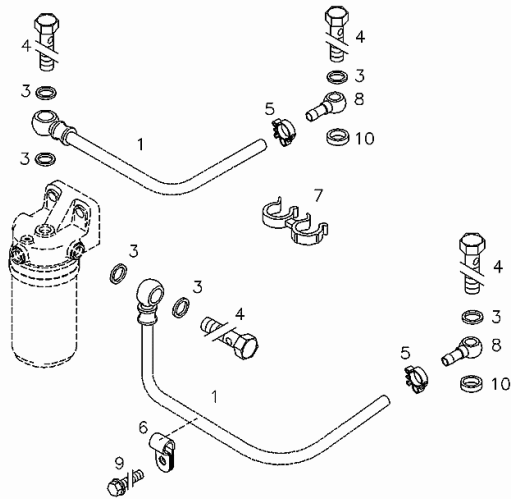


Section: B0 - ENGINE
FUEL LINE

Fig.	Code	QTY	Name
------	------	-----	------

10543317	10543320	10724062	10724063	10724064	10724065	10724070	10724071	10724072	10724073	10724075
10724076	10724850	10724851	10724861	10724862	10724866	10724868	10724871	10724872	10724876	10724877
10724878	10724885	10724888	10724891	10726906	10726909	10726910	10726911	10726916	10726919	10726920
10731241	10731246	10731248	10731253	10731257	10731258	10733421	10733422	10733423	10733425	10733430
10733436	10733439	10735738	10735990	10735991	10735992	10735993	10735994	10735995	10735997	10736000
10736001	10736003	10736004	10736005	10736007	10738432	10740249	10740260	10740263	10740295	10740303
10740304	10740308	10740312	10740314	10740317	10747802	10747810	10747815	10748593	10748597	10748598
10748599	10748602	10748604	10748606	10748614	10748617	10749564	10749566	10749567	10749570	10749571
10749572	10749573	10749574	10749575	10749576	10749577	10749579	10749580	10749581	10749583	10749584
10749586	10749587	10749968	10749969	10749970	10749971	10749972	10749973	10749974	10749975	10749976
10749977	10749978	10749979	10749980	10749981	10749982	10749983	10749984	10749987	10749988	10749989
10749990	10749991	10751315	10751319	10751329	10768586	10768587	10768588	10768589	10768590	10768591
10768592	10768593	10768594	10768596	10768597	10768599	10768600	10768601	10768603	10768604	10768605

002



1	01180531	2	tube H 3464 -AX-8-390-W1
3	01148899	6	rubber plug DIN 7603 -D14X18-CU-VERZINNT
4	01180412	4	pipe union H 3102 -E10M-ST-A4C
5	01180071	2	hose clip H 3461 -F-14,0/8
6	01174437	1	terminal DIN 3016 -1-D1-15X20-W1-2-EPDM
7	02111401	1	support
8	01180403	2	ring H 3450 -D14X8-ST
9	01181433	1	screw EN 1662 -F-M8X20-LG2,5-10.9-ZNAL-A
10	02111397	2	'o' ring

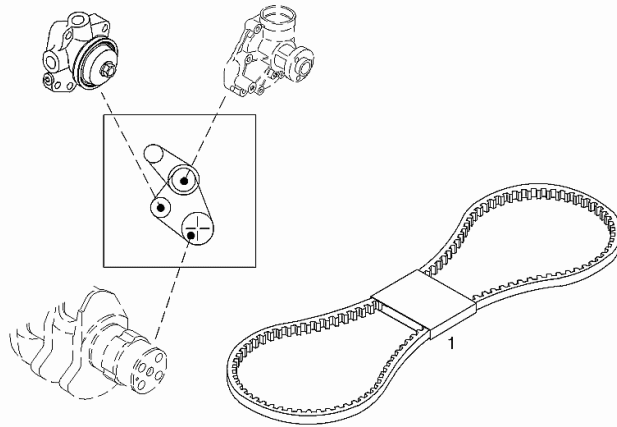
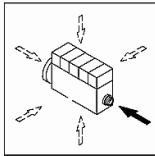
Section: B0 - ENGINE
NARROW V-BELT

Fig.	Code	QTY	Name
------	------	-----	------

10543317	10543320	10724062	10724063	10724064	10724065	10724070	10724071	10724072	10724073	10724075
10724076	10724850	10724851	10724861	10724862	10724866	10724868	10724871	10724872	10724876	10724877
10724878	10724885	10724888	10724891	10726906	10726909	10726910	10726911	10726916	10726919	10726920
10731241	10731246	10731248	10731253	10731257	10731258	10733421	10733422	10733423	10733425	10733430
10733436	10733439	10735738	10735990	10735991	10735992	10735993	10735994	10735995	10735997	10736000
10736001	10736003	10736004	10736005	10736007	10738432	10740249	10740260	10740263	10740295	10740303
10740304	10740308	10740312	10740314	10740317	10747802	10747810	10747815	10748593	10748597	10748598
10748599	10748602	10748604	10748606	10748614	10748617	10749564	10749566	10749567	10749570	10749571
10749572	10749573	10749574	10749575	10749576	10749577	10749579	10749580	10749581	10749583	10749584
10749586	10749587	10749968	10749969	10749970	10749971	10749972	10749973	10749974	10749975	10749976
10749977	10749978	10749979	10749980	10749981	10749982	10749983	10749984	10749987	10749988	10749989
10749990	10749991	10751315	10751319	10751329	10768586	10768587	10768588	10768589	10768590	10768591
10768592	10768593	10768594	10768596	10768597	10768599	10768600	10768601	10768603	10768604	10768605

001 ©

1	01181185	1	belt AV 13x1175 mm H 3710 -AVX13X1175LA-WA
---	----------	---	---



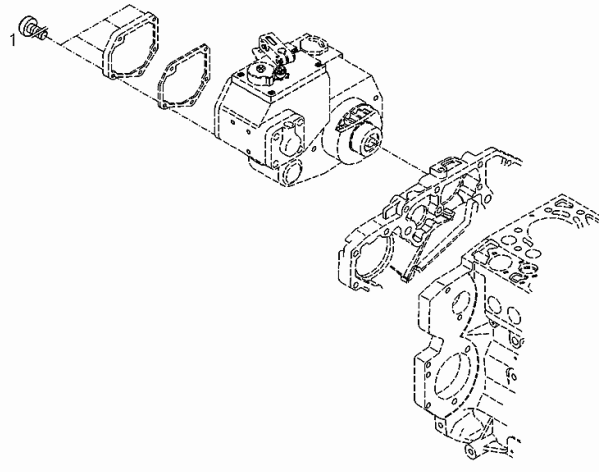
FASTENINGS

Fig.	Code	QTY	Name
------	------	-----	------

Engine Serial Numbers:

10250005	10250006	10279364	10279367	10291514	10291515	10291516	10291517	10291527	10296390	10296391
10296394	10296395	10296397	10296398	10303948	10305024	10305025	10305026	10305027	10305029	10305031
10305032	10305033	10305040	10308589	10308592	10308596	10308600	10308719	10308721	10308722	10308723
10308725	10308726	10308728	10308729	10309575	10309576	10315948	10321791	10321793	10321794	10321795
10321796	10321799	10321803	10321805	10321807	10321808	10321811	10321812	10321813	10323193	10326424
10326428	10326433	10326434	10326438	10326440	10326441	10326446	10326447	10326449	10326450	10326451
10328425	10328426	10328427	10328428	10328429	10328430	10332828	10332830	10332831	10332836	10332837
10332838	10332841	10332845	10332846	10332862	10332863	10332864	10338076	10338077	10338078	10338079
10338080	10338081	10338082	10338083	10338084	10338086	10338088	10338090	10338091	10338092	10338094
10338095	10338096	10338097	10338098	10342295	10342297	10342298	10342301	10342302	10342304	10342305
10342309	10342312	10342313	10342316	10346207	10346212	10346223	10346224	10346226	10346227	10346228
10346229	10348833	10348834	10348835	10348836	10361867	10361868	10361870	10361871	10361873	10361878
10361890	10368112	10368115	10368126	10369633	10369638	10369639	10369644	10369645	10369646	10372889
10372890	10372891	10372892	10372895	10372896	10372897	10372898	10372903	10372904	10372905	10372906
10372907	10372908	10381020	10381022	10381024	10381031	10381032	10381033	10381034	10381035	10381036
10381046	10381047	10381050	10381052	10381054	10382082	10382085	10388677	10394930	10394931	10394937
10394938	10394939	10394941	10394945	10397282	10397294	10397296	10397302	10397304	10397306	10398914
10402771	10402774	10403129	10403136	10403137	10410558	10410564	10410567	10410568	10410571	10410575
10410576	10410577	10410579	10410580	10410585	10410586	10410587	10415633	10415635	10415644	10415653
10419205	10419207	10419209	10423899	10423901	10423902	10423903	10423905	10425136	10425137	10425138
10425139	10425142	10425143	10425145	10425146	10425147	10425149	10425150	10425153	10425154	10425155
10425156	10425158	10425159	10425160	10425571	10426044	10442704	10442713	10442714	10442724	10442726
10442732	10442733	10442735	10442736	10442737	10442739	10442740	10442742	10442743	10442748	10443769
10443771	10443773	10443774	10443775	10443776	10443777	10443778	10443780	10443781	10443785	10443788
10443789	10443790	10443791	10443792	10443793	10443794	10444935	10444938	10444939	10444942	10444946
10444957	10444960	10444961	10444963	10444964	10444965	10444966	10444967	10444971	10444972	10444974
10448706	10448712	10448721	10448722	10448725	10448728	10449467	10449468	10449470	10449471	10449472
10449478	10449479	10449482	10449485	10449486	10449489	10449490	10449491	10449492	10449493	10449494
10449495	10449496	10449502	10449504	10449506	10449507	10449509	10449510	10449513	10449515	10450444
10454297	10454298	10454299	10454301	10454302	10454308	10454309	10454313	10454314	10454315	10454317
10454318	10454319	10454320	10454321	10454323	10454325	10454327	10454328	10454329	10462170	10462171
10462178	10462180	10462184	10462189	10462192	10462199	10462200	10466208	10466209	10466211	10466212
10466214	10466215	10466216	10466217	10466218	10466219	10466220	10466222	10466226	10466228	10466233
10466235	10470154	10470157	10470158	10470161	10470162	10470165	10470168	10470170	10470175	10470180
10470181	10470183	10470185	10470203	10475649	10475650	10475654	10475658	10475659	10475660	10475661
10475663	10475664	10475665	10475667	10475668	10475671	10475673	10475674	10475683	10475690	10489772
10489774	10489775	10489776	10489777	10489779	10489780	10489781	10489783	10489784	10489785	10489786
10489787	10489788	10489789	10489793	10489794	10489795	10489797	10489802	10489807	10489809	10489810
10489812	10489813	10489814	10489817	10490521	10490525	10490914	10490922	10490923	10490925	10490929
10490936	10490937	10490938	10490939	10490940	10494244	10494246	10494247	10494255	10494258	10494704
10494708	10498477	10498489	10498494	10498495	10498500	10498502	10498505	10498518	10498519	10498520
10500457	10500460	10500463	10500467	10500471	10500473	10500474	10500475	10500477	10507118	10507124
10507126	10507129	10507132	10507142	10511636	10511638	10511640	10511646	10511649	10511650	10511651
10511654	10511657	10511661	10511662	10511663	10511667	10511675	10511679	10523435	10523437	10523438
10523439	10523441	10523442	10523445	10523446	10523447	10523449	10523450	10523452	10523455	10523456
10523459	10523460	10523461	10523463	10523465	10523469	10523470	10523475	10523476	10523481	10530273
10530277	10530278	10530280	10530281	10530288	10530290	10535464	10535465	10535466	10535468	10535473
10543281	10543287	10543293	10543294	10543296	10543297	10543300	10543303	10543305	10543307	10543312

002



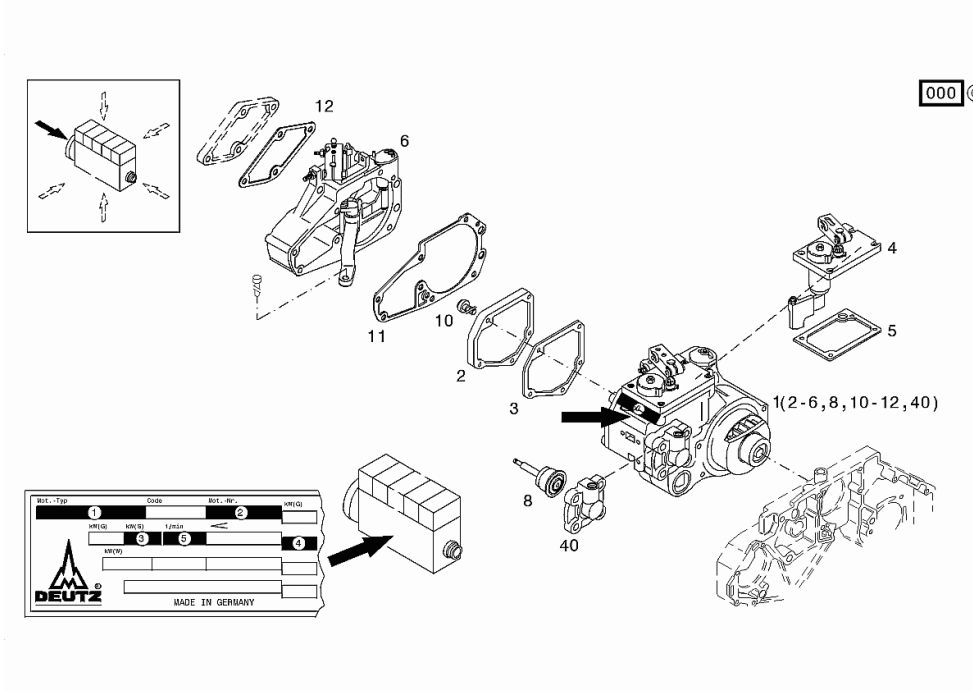
0507 2394

Section: B0 - ENGINE
CONTROLLER

Fig.	Code	QTY	Name
------	------	-----	------

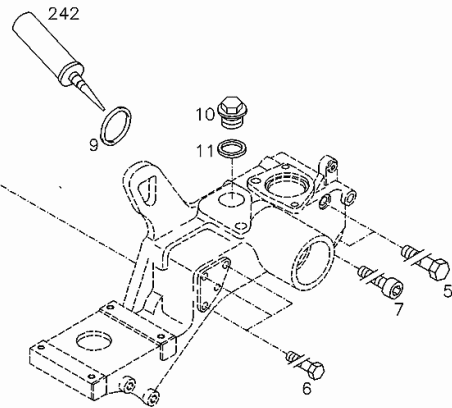
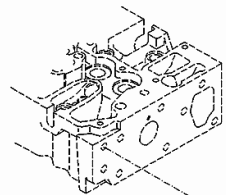
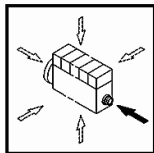
10768586 10768587 10768588 10768589 10768590 10768591 10768592 10768593 10768594 10768596 10768597
 10768599 10768600 10768601 10768603 10768604 10768605

1	02959554	1	regulator WITH POS.... (2-6,8,10-12,40)
2	02112693	1	flange
3	02111391	1	gasket
4	02113650	1	cap
5	02111392	1	gasket
6	02112679	1	chassis
8	02111580	1	piston
10	02112401	1	screw
11	02113113	1	gasket
12	02111614	1	gasket
40	02112496	1	cover
960	02113451	1	regulator WITH POS.... WITHOUT ADJUSTMENT WITHOUT ADJUSTMENT WITHOUT ADJUSTMENT



FASTENINGS

Fig.	Code	QTY	Name							
10543317	10543320	10724062	10724063	10724064	10724065	10724070	10724071	10724072	10724073	10724075
10724076	10724850	10724851	10724861	10724862	10724866	10724868	10724871	10724872	10724876	10724877
10724878	10724885	10724888	10724891	10726906	10726909	10726910	10726911	10726916	10726919	10726920
10731241	10731246	10731248	10731253	10731257	10731258	10733421	10733422	10733423	10733425	10733430
10733436	10733439	10735738	10735990	10735991	10735992	10735993	10735994	10735995	10735997	10736000
10736001	10736003	10736004	10736005	10736007	10738432	10740249	10740260	10740263	10740295	10740303
10740304	10740308	10740312	10740314	10740317	10747802	10747810	10747815	10748593	10748597	10748598
10748599	10748602	10748604	10748606	10748614	10748617	10749564	10749566	10749567	10749570	10749571
10749572	10749573	10749574	10749575	10749576	10749577	10749579	10749580	10749581	10749583	10749584
10749586	10749587	10749968	10749969	10749970	10749971	10749972	10749973	10749974	10749975	10749976
10749977	10749978	10749979	10749980	10749981	10749982	10749983	10749984	10749987	10749988	10749989
10749990	10749991	10751315	10751319	10751329	10768586	10768587	10768588	10768589	10768590	10768591
10768592	10768593	10768594	10768596	10768597	10768599	10768600	10768601	10768603	10768604	10768605



000 ©

5	01148450	2	screw DIN 931 -M10X110-10.9-A-ZNAL-A
6	01148451	3	screw DIN 931 -M10X120-8.8-A-ZNAL-A
7	01126140	1	screw ISO 4762 -M10X120-10.9-A4C
9	01176790	1	'o' ring H 2927 -108X5-FPM-1-70
10	01122964	1	plug m 26 p.1.5 DIN 7604 -AM26X1,5-ST-A4C
11	01118768	1	'o' ring a 26x34 d7603 DIN 7603 -A26X34-CU
242	01016105	1	sealing compound

0507 8814

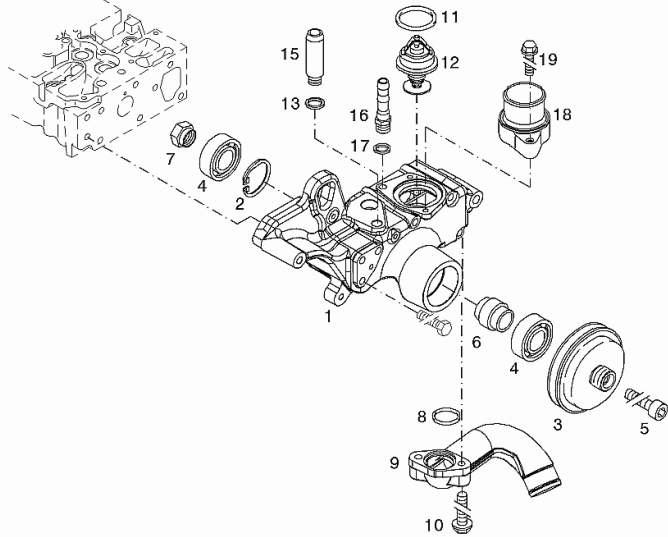
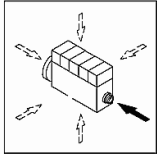
FAN SUPPORT

Fig.	Code	QTY	Name
------	------	-----	------

10724062	10724063	10724064	10724065	10724070	10724071	10724072	10724073	10724075	10724076	10724850
10724851	10724861	10724862	10724866	10724868	10724871	10724872	10724876	10724877	10724878	10724885
10724888	10724891	10726906	10726909	10726910	10726911	10726916	10726919	10726920	10731241	10731246
10731248	10731253	10731257	10731258	10733421	10733422	10733423	10733425	10733430	10733436	10733439
10735738	10735990	10735991	10735992	10735993	10735994	10735995	10735997	10736000	10736001	10736003
10736004	10736005	10736007	10738432	10740249	10740260	10740263	10740295	10740303	10740304	10740308
10740312	10740314	10740317	10747802	10747810	10747815	10748593	10748597	10748599	10748602	10748604
10748604	10748606	10748614	10748617	10749564	10749566	10749567	10749570	10749571	10749572	10749573
10749574	10749575	10749576	10749577	10749579	10749580	10749581	10749583	10749584	10749586	10749587
10749968	10749969	10749970	10749971	10749972	10749973	10749974	10749975	10749976	10749977	10749978
10749979	10749980	10749981	10749982	10749983	10749984	10749987	10749988	10749989	10749990	10749991
10751315	10751319	10751329	10768586	10768587	10768588	10768589	10768590	10768591	10768592	10768593
10768594	10768596	10768597	10768599	10768600	10768601	10768603	10768604	10768605		

000 ©

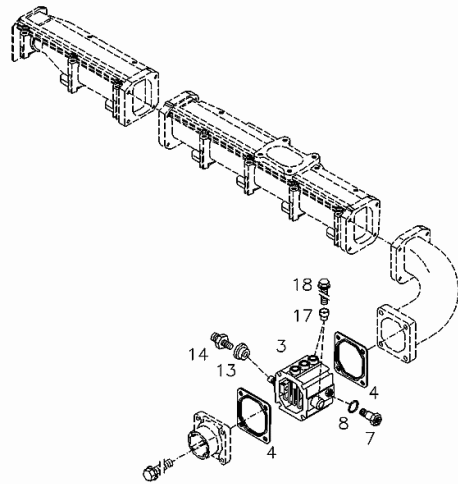
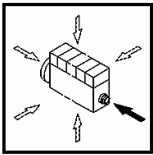
1	04297165	1	pump
2	01107844	1	ring 62 x 2 DIN 472 -62X2
3	04282744	1	pulley
4	01179116	2	bearing 6305 2rs c3 H 4461 -6305-2RS-C3
5	01137283	1	screw ISO 4762 -M12X70-10.9-OELGESCHW
6	04251907	1	shaft
7	04283889	1	nut
8	04200582	1	'o' ring H 2927 -42X4-EPDM-6-70
9	04293878	1	manifold
10	01179233	2	screw EN 1662 -F-M10X50-10.9-ZNAL-A
11	04221386	1	'o' ring
12	04224847	1	thermostat
13	01118700	1	'o' ring Ø 16 x 20 DIN 7603 -A16X20-CU
15	04253750	1	pipe fitting
16	04282758	1	tongue
17	01118673	1	'o' ring DIN 7603 -A12X15,5-CU
18	04254383	1	tongue
19	01143362	2	screw EN 1662 -F-M8X35-10.9-A4C



Section: B0 - ENGINE
THERMO STARTER

Fig.	Code	QTY	Name
3	04258670	1	cab heating ASSEMBLY ASSEMBLY ASSEMBLY ASSEMB. 12 V
4	04258906	2	gasket
7	04258466	1	mass -
8	01182006	1	rubber plug H 2927 -12X1,5-FPM-1-80
13	04258468	1	insulator
14	04258467	1	padding +
17	04258469	5	insulator
18	04258613	5	screw

000 ©



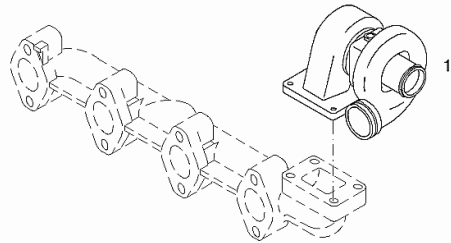
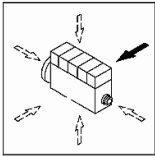
Section: B0 - ENGINE
TURBOCHARGER

Fig.	Code	QTY	Name
------	------	-----	------

10543317	10543320	10724062	10724063	10724064	10724065	10724070	10724071	10724072	10724073	10724075
10724076	10724850	10724851	10724861	10724862	10724866	10724868	10724871	10724872	10724876	10724877
10724878	10724885	10724888	10724891	10726906	10726909	10726910	10726911	10726916	10726919	10726920
10731241	10731246	10731248	10731253	10731257	10731258	10733421	10733422	10733423	10733425	10733430
10733436	10733439	10735738	10735990	10735991	10735992	10735993	10735994	10735995	10735997	10736000
10736001	10736003	10736004	10736005	10736007	10738432	10740249	10740260	10740263	10740295	10740303
10740304	10740308	10740312	10740314	10740317	10747802	10747810	10747815	10748593	10748597	10748598
10748599	10748602	10748604	10748606	10748614	10748617	10749564	10749566	10749567	10749570	10749571
10749572	10749573	10749574	10749575	10749576	10749577	10749579	10749580	10749581	10749583	10749584
10749586	10749587	10749968	10749969	10749970	10749971	10749972	10749973	10749974	10749975	10749976
10749977	10749978	10749979	10749980	10749981	10749982	10749983	10749984	10749987	10749988	10749989
10749990	10749991	10751315	10751319	10751329	10768586	10768587	10768588	10768589	10768590	10768591
10768592	10768593	10768594	10768596	10768597	10768599	10768600	10768601	10768603	10768604	10768605

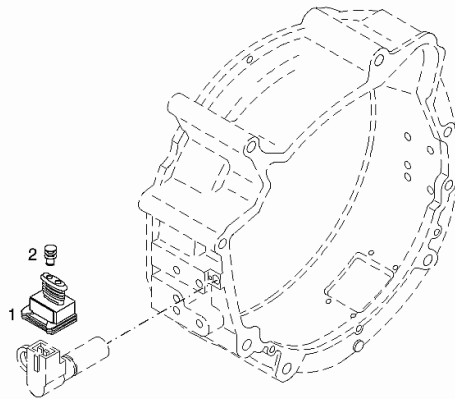
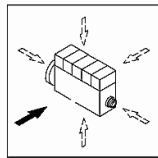
000 ©

1	04293692	1	turbo charger
---	----------	---	---------------



COVER

Fig.	Code	QTY	Name
1	04194627	1	covering
2	04190860	2	plug



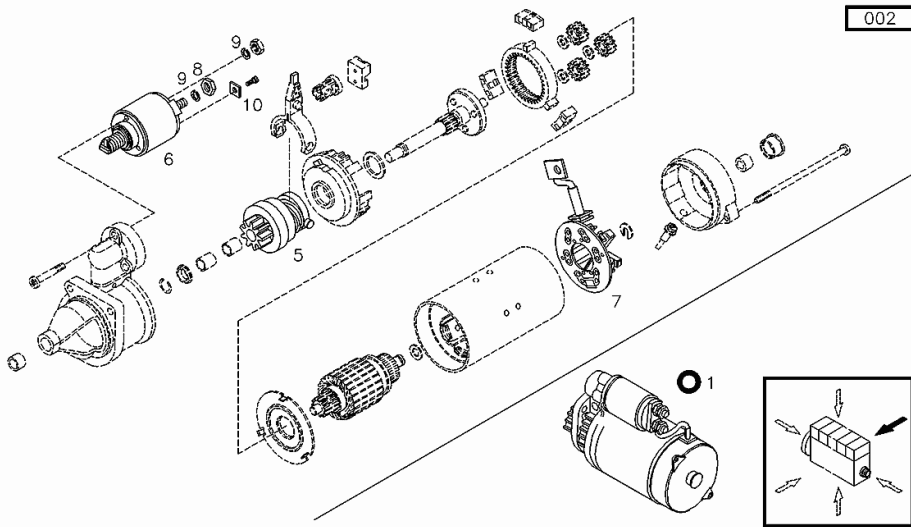
000 ©

STARTER

Fig.	Code	QTY	Name
------	------	-----	------

Engine Serial Numbers:

10250005	10250006	10279364	10279367	10291514	10291515	10291516	10291517	10291527	10296390	10296391
10296394	10296395	10296397	10296398	10303948	10305024	10305025	10305026	10305027	10305029	10305031
10305032	10305033	10305040	10308589	10308592	10308596	10308600	10308719	10308721	10308722	10308723
10308725	10308726	10308728	10308729	10309575	10309576	10315948	10321791	10321793	10321794	10321795
10321796	10321799	10321803	10321805	10321807	10321808	10321811	10321812	10321813	10323193	10326424
10326428	10326433	10326434	10326438	10326440	10326441	10326446	10326447	10326449	10326450	10326451
10328425	10328426	10328427	10328428	10328429	10328430	10332828	10332830	10332831	10332836	10332837
10332838	10332841	10332845	10332846	10332862	10332863	10332864	10338076	10338077	10338078	10338079
10338080	10338081	10338082	10338083	10338084	10338086	10338088	10338090	10338091	10338092	10338094
10338095	10338096	10338097	10338098	10342295	10342297	10342298	10342301	10342302	10342304	10342305
10342309	10342312	10342313	10342316	10346207	10346212	10346223	10346224	10346226	10346227	10346228
10346229	10348833	10348834	10348835	10348836	10361867	10361868	10361870	10361871	10361873	10361878
10361890	10368112	10368115	10368126	10369633	10369638	10369639	10369644	10369645	10369646	10372889
10372890	10372891	10372892	10372895	10372896	10372897	10372898	10372903	10372904	10372905	10372906
10372907	10372908	10381020	10381022	10381024	10381031	10381032	10381033	10381034	10381035	10381036
10381046	10381047	10381050	10381052	10381054	10382082	10382085	10388677	10394930	10394931	10394937
10394938	10394939	10394941	10394945	10397282	10397294	10397296	10397302	10397304	10397306	10398914
10402771	10402774	10403129	10403136	10403137	10410558	10410564	10410567	10410568	10410571	10410575
10410576	10410577	10410579	10410580	10410585	10410586	10410587	10415633	10415635	10415644	10415653
10419205	10419207	10419209	10423899	10423901	10423902	10423903	10423905	10425136	10425137	10425138
10425139	10425142	10425143	10425145	10425146	10425147	10425149	10425150	10425153	10425154	10425155
10425156	10425158	10425159	10425160	10425571	10426044	10442704	10442713	10442714	10442724	10442726
10442732	10442733	10442735	10442736	10442737	10442739	10442740	10442742	10442743	10442748	10443769
10443771	10443773	10443774	10443775	10443776	10443777	10443778	10443780	10443781	10443785	10443788
10443789	10443790	10443791	10443792	10443793	10443794	10444935	10444938	10444939	10444942	10444946
10444957	10444960	10444961	10444963	10444964	10444965	10444966	10444967	10444971	10444972	10444978
10448706	10448712	10448721	10448722	10448725	10448728	10449467	10449468	10449470	10449471	10449472
10449478	10449479	10449482	10449485	10449486	10449489	10449490	10449491	10449492	10449493	10449494
10449495	10449496	10449502	10449504	10449506	10449507	10449509	10449510	10449513	10449515	10450444
10454297	10454298	10454299	10454301	10454302	10454308	10454309	10454313	10454314	10454315	10454317
10454318	10454319	10454320	10454321	10454323	10454325	10454327	10454328	10454329	10462170	10462171
10462178	10462180	10462184	10462189	10462192	10462199	10462200	10466208	10466209	10466211	10466212
10466214	10466215	10466216	10466217	10466218	10466219	10466220	10466222	10466226	10466228	10466233
10466235	10470154	10470157	10470158	10470161	10470162	10470165	10470168	10470170	10470175	10470180
10470181	10470183	10470185	10470203	10475649	10475650	10475654	10475658	10475659	10475660	10475661
10475663	10475664	10475665	10475667	10475668	10475671	10475673	10475674	10475683	10475690	10489772
10489774	10489775	10489776	10489777	10489779	10489780	10489781	10489783	10489784	10489785	10489786
10489787	10489788	10489789	10489793	10489794	10489795	10489797	10489802	10489807	10489809	10489810
10489812	10489813	10489814	10489817	10490521	10490525	10490914	10490922	10490923	10490925	10490929
10490936	10490937	10490938	10490939	10490940	10494244	10494246	10494247	10494255	10494258	10494704
10494708	10498477	10498489	10498494	10498495	10498500	10498502	10498505	10498518	10498519	10498520
10500457	10500460	10500463	10500467	10500471	10500473	10500474	10500475	10500477	10507118	10507124
10507126	10507129	10507132	10507142	10511636	10511638	10511640	10511646	10511649	10511650	10511651
10511654	10511657	10511661	10511662	10511663	10511667	10511675	10511679	10523435	10523437	10523438
10523439	10523441	10523442	10523445	10523446	10523447	10523449	10523450	10523452	10523455	10523456
10523459	10523460	10523461	10523463	10523465	10523469	10523470	10523475	10523476	10523481	10530273
10530277	10530278	10530280	10530281	10530288	10530290	10534564	10534565	10534264	10543268	10543273
10543281	10543287	10543293	10543294	10543296	10543297	10543300	10543303	10543305	10543307	10543314



0507 2725

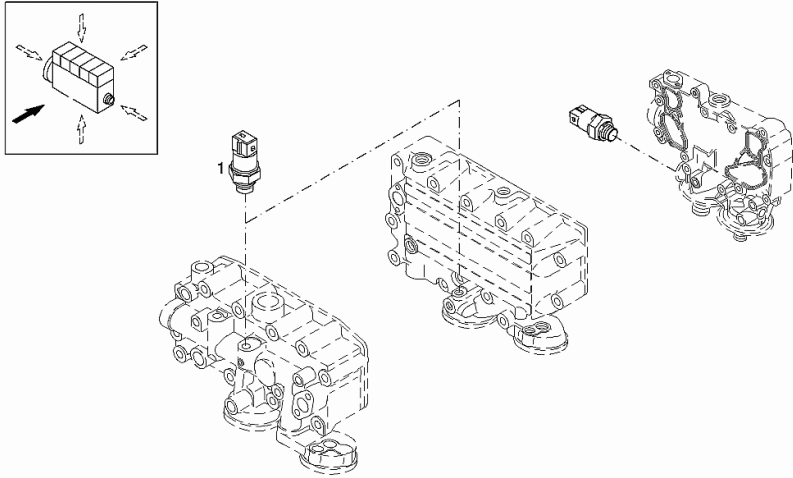
Section: B0 - ENGINE
OIL PRESSUR.SWITCH

Fig.	Code	QTY	Name
------	------	-----	------

Engine Serial Numbers:

10279364	10279367	10291514	10291515	10291516	10291517	10291527	10296390	10296391	10296394	10296395
10296397	10296398	10303948	10305024	10305025	10305026	10305027	10305029	10305031	10305032	10305033
10305040	10308589	10308592	10308596	10308600	10308719	10308721	10308722	10308723	10308725	10308726
10308728	10308729	10309575	10309576	10315948	10321791	10321793	10321794	10321795	10321796	10321799
10321803	10321805	10321807	10321808	10321811	10321812	10321813	10323193	10326424	10326428	10326433
10326434	10326438	10326440	10326441	10326446	10326447	10326449	10326450	10326451	10328425	10328426
10328427	10328428	10328429	10328430	10332828	10332830	10332831	10332836	10332837	10332838	10332841
10332845	10332846	10332862	10332863	10332864	10338076	10338077	10338078	10338079	10338080	10338081
10338082	10338083	10338084	10338086	10338088	10338090	10338091	10338092	10338094	10338095	10338096
10338097	10338098	10342295	10342297	10342298	10342301	10342302	10342304	10342305	10342309	10342312
10342313	10342316	10346207	10346212	10346223	10346224	10346226	10346227	10346228	10346229	10348833
10348834	10348835	10348836	10361867	10361868	10361870	10361871	10361873	10361878	10361890	10368112
10368115	10368126	10369633	10369638	10369639	10369644	10369645	10369646	10372889	10372890	10372891
10372892	10372895	10372896	10372897	10372898	10372903	10372904	10372905	10372906	10372907	10372908
10381020	10381022	10381024	10381031	10381032	10381033	10381034	10381035	10381036	10381046	10381047
10381050	10381052	10381054	10382082	10382085	10388677	10394930	10394931	10394937	10394938	10394939
10394941	10394945	10397282	10397294	10397296	10397302	10397304	10397306	10398914	10402771	10402774
10403129	10403136	10403137	10410558	10410564	10410567	10410568	10410571	10410575	10410576	10410577
10410579	10410580	10410585	10410586	10410587	10415633	10415635	10415644	10415653	10419205	10419207
10419209	10423899	10423901	10423902	10423903	10423905	10425136	10425137	10425138	10425139	10425142
10425143	10425145	10425146	10425147	10425149	10425150	10425153	10425154	10425155	10425156	10425158
10425159	10425160	10425571	10426044	10442704	10442713	10442714	10442724	10442726	10442732	10442733
10442735	10442736	10442737	10442739	10442740	10442742	10442743	10442748	10443769	10443771	10443773
10443774	10443775	10443776	10443777	10443778	10443780	10443781	10443785	10443788	10443789	10443790
10443791	10443792	10443793	10443794	10444935	10444938	10444939	10444942	10444946	10444957	10444960
10444961	10444963	10444964	10444965	10444966	10444967	10444971	10444972	10444899	10444899	10444870
10444871	10444872	10448725	10448728	10449467	10449468	10449470	10449471	10449472	10449478	10449479
10449482	10449485	10449486	10449489	10449490	10449491	10449492	10449493	10449494	10449495	10449496
10449502	10449504	10449506	10449507	10449509	10449510	10449513	10449515	10450444	10454297	10454298
10454299	10454301	10454302	10454308	10454309	10454313	10454314	10454315	10454317	10454318	10454319
10454320	10454321	10454323	10454325	10454327	10454328	10454329	10462170	10462171	10462178	10462180
10462184	10462189	10462192	10462199	10462200	10466208	10466209	10466211	10466212	10466214	10466215
10466216	10466217	10466218	10466219	10466220	10466222	10466226	10466228	10466233	10466235	10470154
10470157	10470158	10470161	10470162	10470165	10470168	10470170	10470175	10470180	10470181	10470183
10470185	10470203	10475649	10475650	10475654	10475658	10475659	10475660	10475661	10475663	10475664
10475665	10475667	10475668	10475671	10475673	10475674	10475683	10475690	10489772	10489774	10489775
10489776	10489777	10489779	10489780	10489781	10489783	10489784	10489785	10489786	10489787	10489788
10489789	10489793	10489794	10489795	10489797	10489802	10489807	10489809	10489810	10489812	10489813
10489814	10489817	10490521	10490525	10490914	10490922	10490923	10490925	10490929	10490936	10490937
10490938	10490939	10490940	10494244	10494246	10494247	10494255	10494258	10494704	10494708	10498477
10498489	10498494	10498495	10498500	10498502	10498505	10498518	10498519	10498520	10500457	10500460
10500463	10500467	10500471	10500473	10500474	10500475	10500477	10507118	10507124	10507126	10507129
10507132	10507142	10511636	10511638	10511640	10511646	10511649	10511650	10511651	10511654	10511657
10511661	10511662	10511663	10511667	10511675	10511679	10523435	10523437	10523438	10523439	10523441
10523442	10523445	10523446	10523447	10523449	10523450	10523452	10523455	10523456	10523459	10523460
10523461	10523463	10523465	10523469	10523470	10523475	10523476	10523481	10530273	10530277	10530278
10530280	10530281	10530288	10530290	10535464	10535465	10543264	10543268	10543273	10543281	10543287
10543293	10543294	10543296	10543297	10543300	10543303	10543305	10543307	10543314	10543317	10543320

000 ©

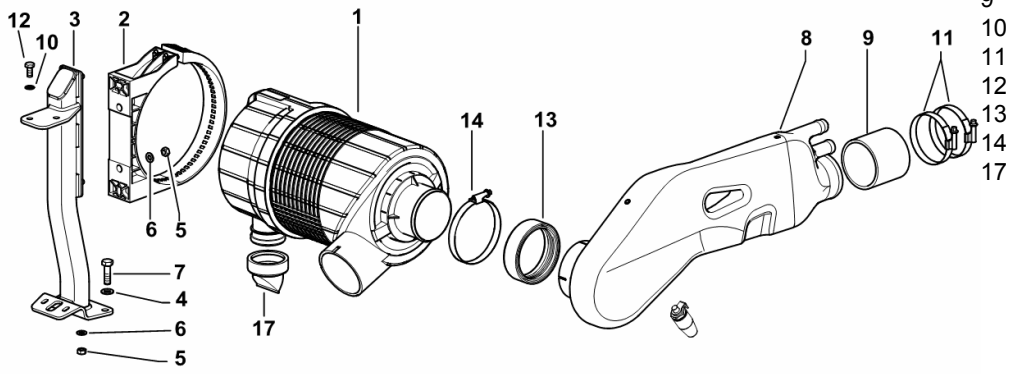


8" AIR CLEANER

Fig.	Code	QTY	Name
------	------	-----	------

Notes:

[Agrofarm 100]



1	2.4249.718.0	1	air filter 8 " ☞ 2.4249.718.0
2	0.014.0679.4	1	support
3	0.014.8179.3	1	bracket
4	2.1310.006.2	2	flat washer 10.5
5	2.1011.105.2	3	nut m 8 p.1.25
6	2.1310.004.2	2	flat washer 8.5
7	2.0112.313.2	2	screw m 10 p.1.5 x 35
8	0.014.7963.2	1	sleeve
9	0.014.7967.0	1	pipe fitting
10	2.1470.004.2	2	washer 8
11	2.6851.009.0	2	clamp Ø 80/100
12	2.0112.206.2	2	screw m 8 p.1.25 x 18
13	2.6851.010.0	1	clamp 90/110
14	0.293.8152.0	1	ring
17	0.015.9728.0	1	valve

9_H1581_01_0-A-001

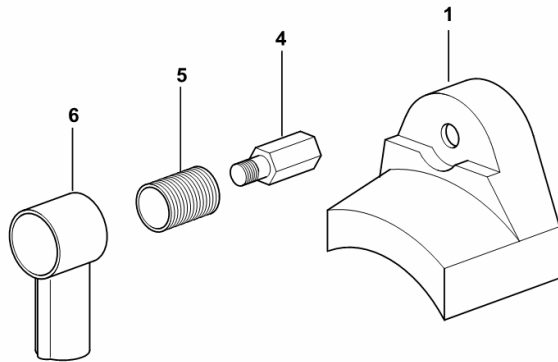
STARTER MOTOR COVER

Fig.	Code	QTY	Name
------	------	-----	------

Notes:

- WITH FRONT BATTERY [Agrofarm 100]

1	0.008.0391.0	1	cover
4	0.008.0616.0	1	pipe fitting
5	0.008.0378.0	1	cover
6	2.6519.033.0	1	cap



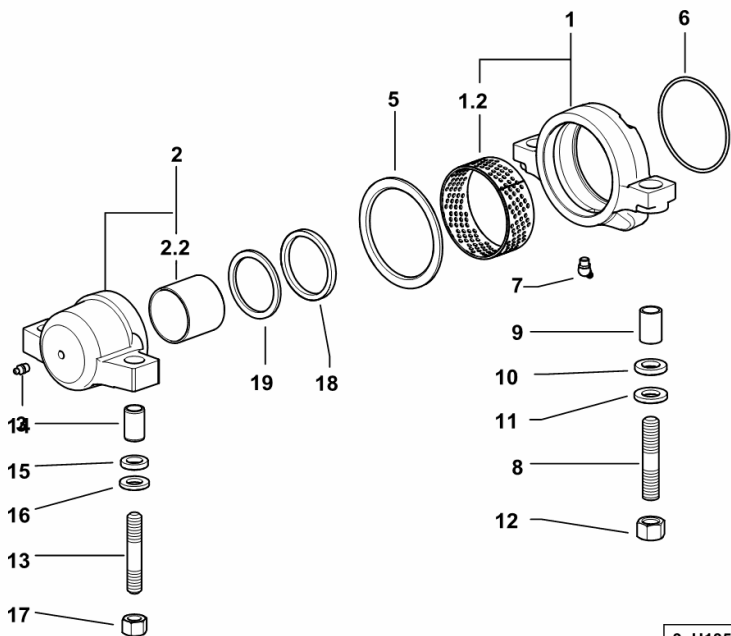
9_H1284_02_0-B-001

Section: F0 - FRONT AXLE
4WD - FRONT SUPPORT

Fig.	Code	QTY	Name
------	------	-----	------

Notes:
 [Agrofarm 100]

1	0.146.5233.3/40	1	support
1.2	2.1559.455.0	1	bushing 100x106x40
2	0.010.4723.3/50	1	support
2.2	2.1559.456.0	1	bushing
3	2.3820.105.2	1	lubricator m 10 p.1 x 7
5	2.1599.004.0	1	snoulder 101x125x4
6	2.1530.205.0	1	'o' ring 101.2x5.34
7	2.3821.103.2	1	lubricator m 10 p.1
8	2.0439.174.7	1	stud bolt m 18 p.1.5x70
9	2.1559.010.0	2	bushing 18.5x24x35
10	2.1599.030.2	2	snoulder 19x35x6
11	2.1475.107.2	2	washer 19.4x36
12	2.1019.060.2	2	special nut m 18 p.1.5
13	2.0433.419.7	2	stud bolt m 16 p.2-1.5x70
14	2.1559.030.0	2	bushing 16.5x22x35
15	2.1599.029.2	2	washer 17x30x6
16	2.1475.206.2	2	washer 16
17	2.1012.309.2	2	nut
18	2.1535.028.0	1	'o' ring 67x11
19	2.1599.825.0	1	snoulder 63x77x4

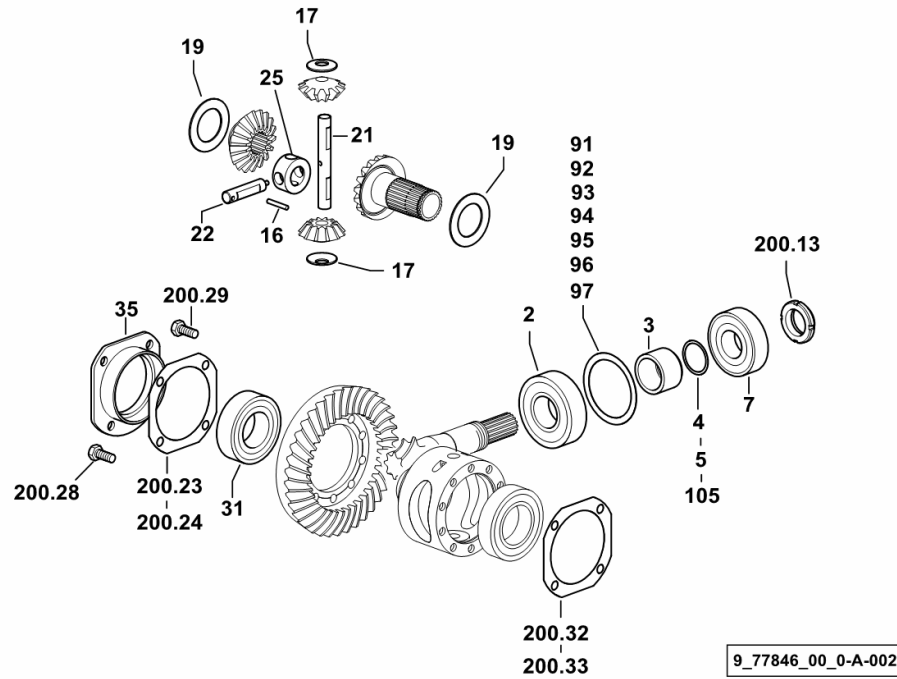


9_H1352_03_0-A-001

Section: F0 - FRONT AXLE
4WD - FRONT DIFFERENTIAL

Fig.	Code	QTY	Name
------	------	-----	------

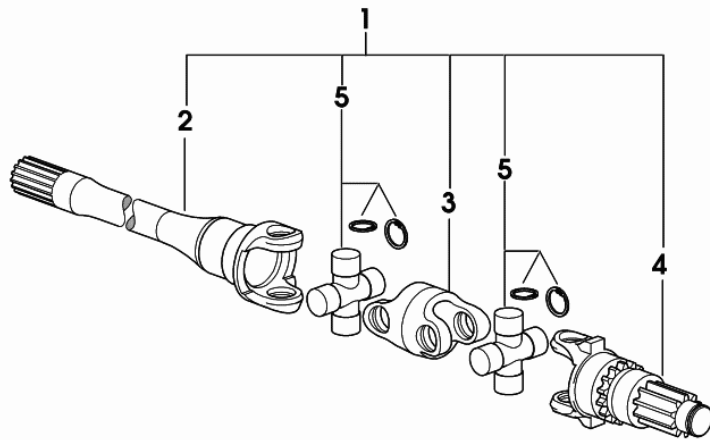
Notes:
 [Agrofarm 100]



2	2.2560.006.0	1	roller bearing 40 x 90 x 25.25
3	0.010.1045.0	1	spacer mm 37
4	2.1580.101.0	2	shim 36 x 43 x 0.2
5	2.1580.102.0	3	shim 36 x 43 x 0.5
7	2.2560.005.0	1	roller bearing 35 x 80 x 22.75
16	2.1631.418.0	2	pin 5 x 45
17	0.255.4629.0	4	snoulder 15.5x36x2
19	2.1599.431.0	2	snoulder 42x66x2
21	0.013.6067.0	1	pin
22	0.013.6068.0	2	pin
25	0.013.6070.0	1	ring
31	2.2540.005.0	1	roller bearing 45 x 85 x 24.75
35	0.255.4652.0/20	1	flange
91	2.1589.356.0	1	snoulder 73x89.5x0.6
92	2.1589.357.0	0.3	snoulder 73x89.5x0.7
93	2.1589.358.0	0.3	snoulder 73x89.5x0.8
94	2.1589.359.0	0.3	snoulder 73x89.5x0.9
95	2.1589.360.0	0.3	snoulder 73x89.5x1.65
96	2.1589.361.0	0.3	snoulder 73x89.5x1.75
97	2.1589.362.0	0.3	snoulder 73x89.5x1.85
105	2.1580.109.0	2	shim 36x43x0.15
200.13	2.1214.108.7	1	ring nut m 35 p.1.5
200.23	0.445.4656.0/10	2	shim 92x127x0.2
200.24	0.445.4655.0/10	2	shim 92x127x0.5
200.28	2.0132.207.2	8	screw m 10 p.1 x 25
200.29	2.0139.025.1	10	screw m 10 p.1.25 x 25
200.32	0.146.4653.0/10	4	shim 96x127x0.2
200.33	0.146.4654.0/10	4	shim 96x127x0.5

Section: F0 - FRONT AXLE
4WD - AXLESHAFTS

Fig.	Code	QTY	Name
1	0.010.5413.4/10	1	half-shaft
2	0.010.2569.0	1	half-shaft
3	0.010.2569.1	1	fork
4	0.010.2569.2	1	axle shaft
5	0.010.2570.0	2	universal joint






010_5413_4_10_A

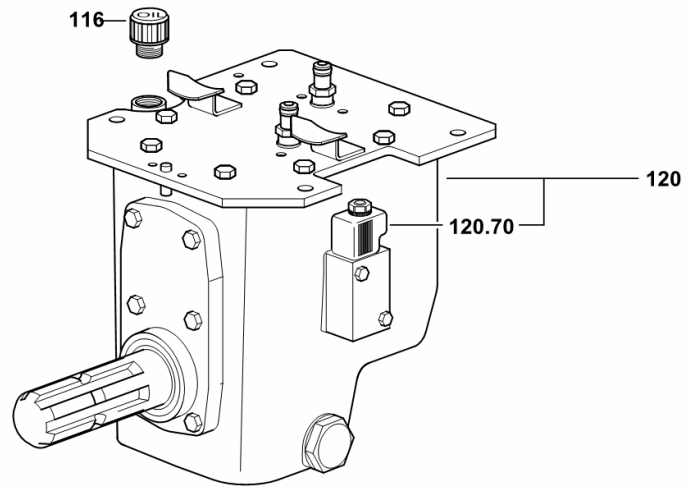
Section: M0 - FRONT PTO
P.T.O. FRONT

Fig.	Code	QTY	Name
------	------	-----	------

Notes:

[Agrofarm 100]

116	0.008.3196.3	1	plug sfp-30, 22 x 1.5
120	0.014.9262.4/40	1	power take off  0.014.9262.4/40  0.014.9262.4/40  0.014.9262.4/40
120.70	2.3729.400.0/20	1	electro valve  2.3729.400.0/20



9_H1559_85_0-B-001

6-WAY AUXILIARY DISTRIBUTOR.....	H0.07.3 (1)
4 - 6 - WAY DISTRIBUTOR EQUIPMENT.....	H0.07.4 (1)
4-WAY QUICK COUPLERS.....	H0.07.5 (2)
6-WAY QUICK COUPLERS.....	H0.07.6 (1)
6-WAY QUICK COUPLERS.....	H0.07.6 (2)
SUPPORT AND FIXTURE OF REAR 4-6 WAY CONTROL VALVE.....	H0.07.8 (1)
CONNECTOR OIL COLLECTION SYSTEM.....	H0.07.9 (1)
CONNECTOR OIL COLLECTION SYSTEM.....	H0.07.10 (1)
CONNECTOR OIL COLLECTION SYSTEM.....	H0.07.10 (2)
CONNECTOR OIL COLLECTION SYSTEM.....	H0.07.11 (1)
CONNECTOR OIL COLLECTION SYSTEM.....	H0.07.11 (2)
ENGAGEMENT.....	0.010.8473.0.A
TANK - PARTS.....	0.011.0212.3.A
DISTRIBUTOR.....	2.3729.706.0/10.A
DISTRIBUTOR.....	2.3729.707.0/10.A

BRAKING SYSTEM AND PNEUMATIC SYSTEM|

4WD - FRONT BRAKES.....	H0.09.2 (1)
BRAKING SYSTEM.....	H0.09.3 (1)
REAR BRAKING SYSTEM.....	H0.09.7 (1)
REAR BRAKING SYSTEM.....	H0.09.7 (2)
REAR BRAKING SYSTEM.....	H0.09.10 (1)
BLAKES BLOCK.....	H0.09.11 (1)
FLOW CONTROL VALVE.....	H0.09.15 (1)
HYDRAULIC BREAKING FOR TRAILER - ITALY -.....	H0.09.17 (1)
HYDRAULIC BREAKING FOR TRAILER - EXPORT F.....	H0.09.18 (1)
SYSTEM FROM HYDRAULIC PUMP TO HYDRAULIC BRAKES.....	H0.09.21 (1)
HYDRAULIC BREAKING FOR TRAILER.....	H0.09.25 (1)
HYDRAULIC BREAKING FOR TRAILER.....	H0.09.25 (2)
HYDRAULIC BRAKING PARTS KIT WITH 4-WAY DIRECTIONAL CONTROL VALVE.....	H0.09.28 (1)
HYDRAULIC BRAKING PARTS KIT WITH 6-WAY DIRECTIONAL CONTROL VALVE.....	H0.09.30 (1)
PNEUMATIC TRAILER BRAKING.....	H0.09.32 (1)
AIR BRAKING FOR 'ITALY' TRAILER.....	H0.09.33 (1)
AIR BRAKING FOR 'ITALY' TRAILER.....	H0.09.34 (1)
AIR BRAKING FOR 'ITALY' TRAILER.....	H0.09.35 (1)
AIR BRAKING FOR 'ITALY' TRAILER.....	H0.09.35 (2)
AIR BRAKING FOR 'EXPORT D' TRAILER.....	H0.09.36 (1)
AIR BRAKING FOR 'EXPORT D' TRAILER.....	H0.09.37 (1)
AIR BRAKING FOR 'EXPORT D' TRAILER.....	H0.09.38 (1)
AIR BRAKING FOR 'EXPORT D' TRAILER.....	H0.09.38 (2)
AIR PRESSURE GAUGE FOR AIR BRAKING SYSTEM ITALY.....	H0.09.39 (1)
PRESSURE GAUGE FOR AIR BRAKING SYSTEM EXPORT D.....	H0.09.40 (1)
COUPLING PARTS CUNA.....	0.010.4582.4.A
TRAILER BRAKE VALVE.....	0.011.8633.4.A
VALVE PARTS.....	04398756.A

Agrofarm 100

Section: H0 - HYDRAULIC AND PNEUMATIC SYSTEM|

Ref.: H0.01.26 (1)

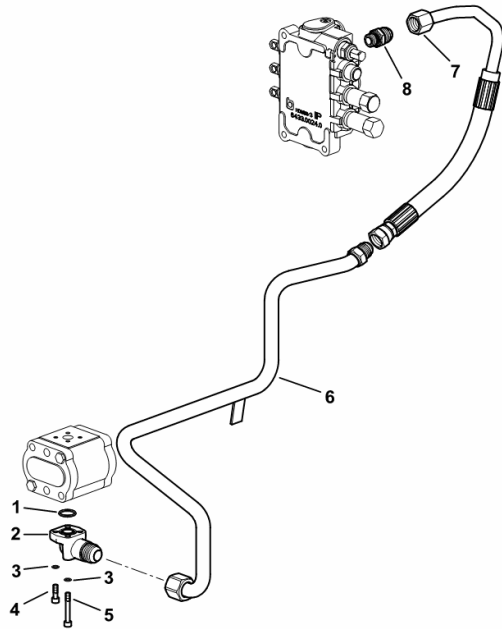
SYSTEM FROM HYDRAULIC PUMP TO 6-WAY DIRECTIONAL CONTROL VALVE

Fig.	Code	QTY	Name
------	------	-----	------

Notes:

- FOR TRACTORS WITHOUT HYDRAULIK BREAKING FOR TRAILER [Agrofarm 100] 1143 <-

1	2.1531.052.0	1	'o' ring 20.29 x 2.62
2	0.012.7294.0	1	flange
3	2.1480.012.2	4	washer 6, d128
4	2.0312.106.2	2	screw m 6 p.1 x 20
5	2.0312.115.2	2	screw m 6 p.1x45
6	0.014.9056.3	1	tube
7	0.014.9058.3	1	tube
8	2.3249.141.2	1	pipe fitting 7/8 JIC-M18



9_H1382_44_0-A-001

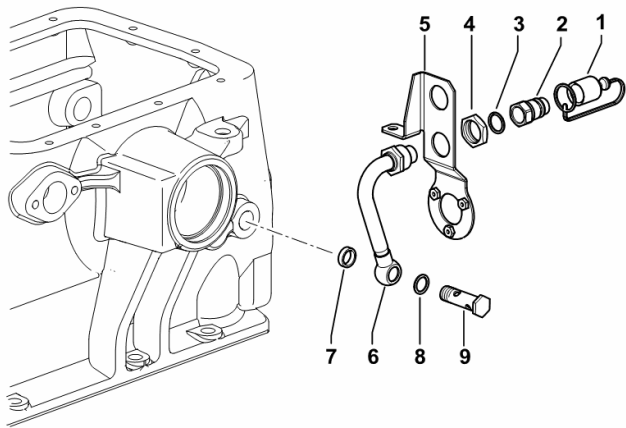
FREE OIL RETURN

Fig.	Code	QTY	Name
------	------	-----	------

Notes:

[Agrofarm 100]

1	0.009.3149.0	1	plug
2	0.98309.51.3/10	1	coupling 1/2
3	2.1560.054.0	1	gasket 21 x 26
4	2.1019.091.2	1	special nut m 30 p.1.5x8
5	0.015.7251.3/10	1	bracket
6	0.015.1858.3	1	tube
7	2.1569.158.0/10	1	gasket 18.2 x 24 x 6.5
8	2.1560.014.0	1	gasket 18.2 x 24 x 1.5
9	2.3339.932.2/10	1	pipe union m 18 p.1.5 x 60



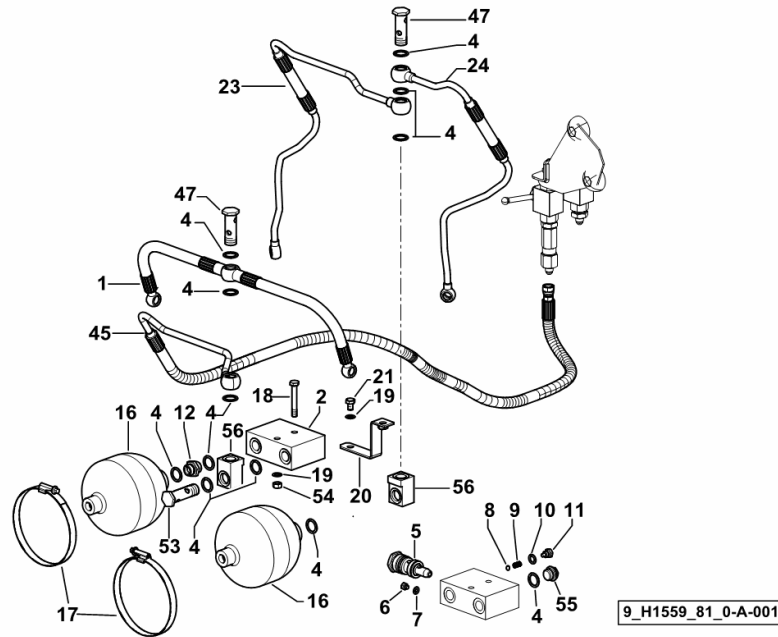
9_H1588_80_0-A-001

FRONT LIFT - HYDRAULIC SYSTEM

Fig.	Code	QTY	Name
------	------	-----	------

Notes:


[Agrofarm 100]

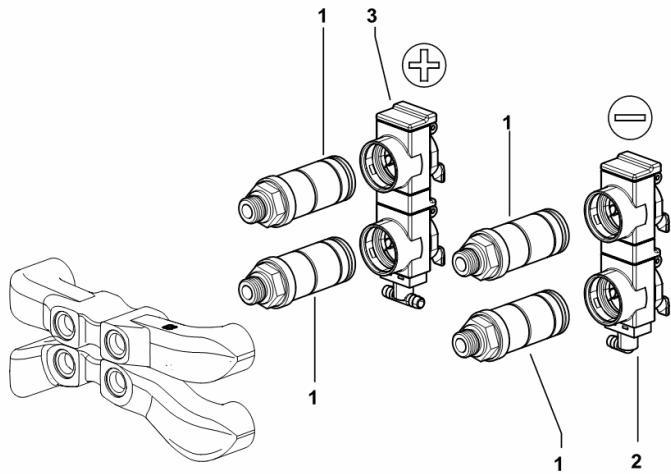


1	0.014.2177.3/10	1	tube
2	0.009.2022.0/40	1	valve body
4	2.1560.014.0	14	gasket 18.2 x 24 x 1.5
5	0.009.2038.4/10	1	valve ☞ 0.009.2038.4/10
6	2.3110.427.1	1	plug m 6 p.1 x 10
7	2.1560.002.0	1	gasket 6.12x12
8	2.2810.003.0	1	ball mm 7.144
9	2.4019.378.1	1	spring 7.1x15x0.4
10	2.1560.006.0	1	gasket 10.2 x 16
11	2.3199.151.2	1	plug m10x1.5x13
12	2.3313.007.1	1	pipe fitting m 18 p.1.5-3/4 jic
16	0.010.0427.0/20	2	accumulator
17	2.6851.013.0	2	clamp 120-140
18	2.0112.220.2	2	screw m 8 p.1.25x55
19	2.1470.004.2	3	washer 8
20	0.010.9893.3	1	square
21	2.0112.203.2	1	screw m 8 p.1.25 x 12
23	0.014.2181.3	1	tube
24	0.014.2180.3	1	tube
45	0.014.4008.3/20	1	tube
47	2.3339.485.2/10	2	pipe union m 18 p.1.5x55
53	2.3339.932.2/10	2	pipe union m 18 p.1.5 x 60
54	2.1011.105.2	1	nut m 8 p.1.25
55	2.3110.405.1	1	plug m 18 p.1.5 x 15
56	0.013.8518.0	2	small block

Fig.	Code	QTY	Name
------	------	-----	------

Notes:
 [Agrofarm 100]

1	0.010.8473.0	4	coupling m 22 p.1.5 / Ø 38  0.010.8473.0
2	0.015.0293.0/10	1	plug
3	0.015.0290.0/10	1	plug



9_H1288_16_0-A-002

TANK - PARTS

Fig.	Code	QTY	Name
1	0.011.0212.3	1	tank
2	0.010.2795.0	1	plug

011_0212_3

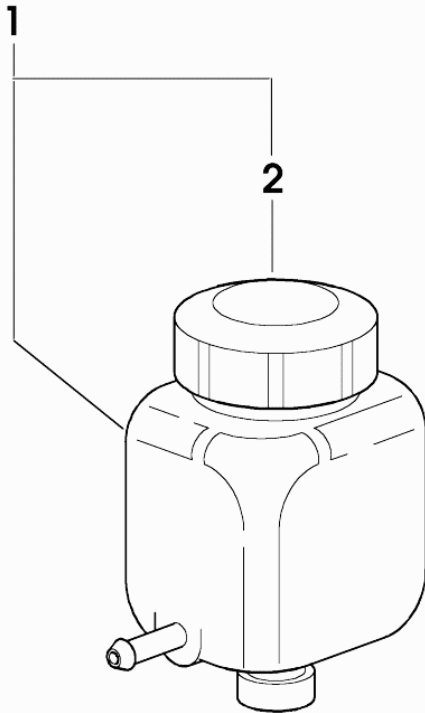

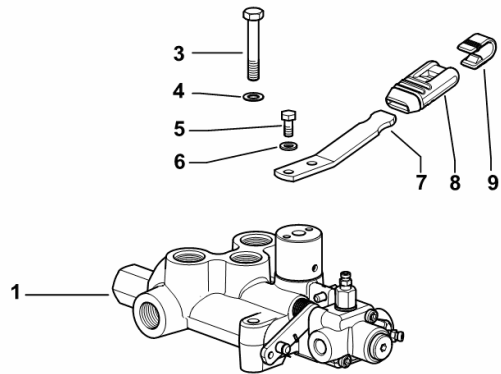


Fig.	Code	QTY	Name
------	------	-----	------

Notes:
 [Agrofarm 100]

1	2.3729.708.0/10	1	valve  2.3729.708.0/10
3	2.0112.219.2	1	screw m 8 p.1.25x50
4	2.1470.004.2	1	washer 8
5	2.0112.004.2	2	screw m 6 p.1 x 14
6	2.1310.002.2	2	washer 6.6, d125
7	0.015.0669.0	1	lever
8	0.007.5561.0	1	knob
9	0.007.5562.0	1	coupling



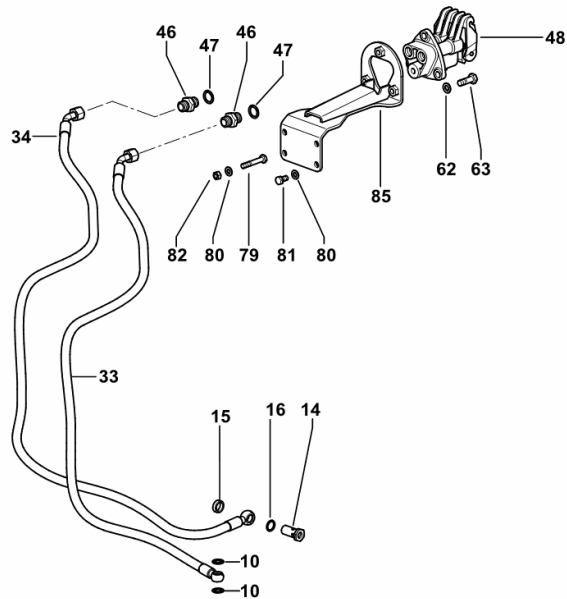
9_H1589_10_0_0

AIR BRAKING FOR 'ITALY' TRAILER

Fig.	Code	QTY	Name
------	------	-----	------

Notes:

[Agrofarm 100] 1587 <-

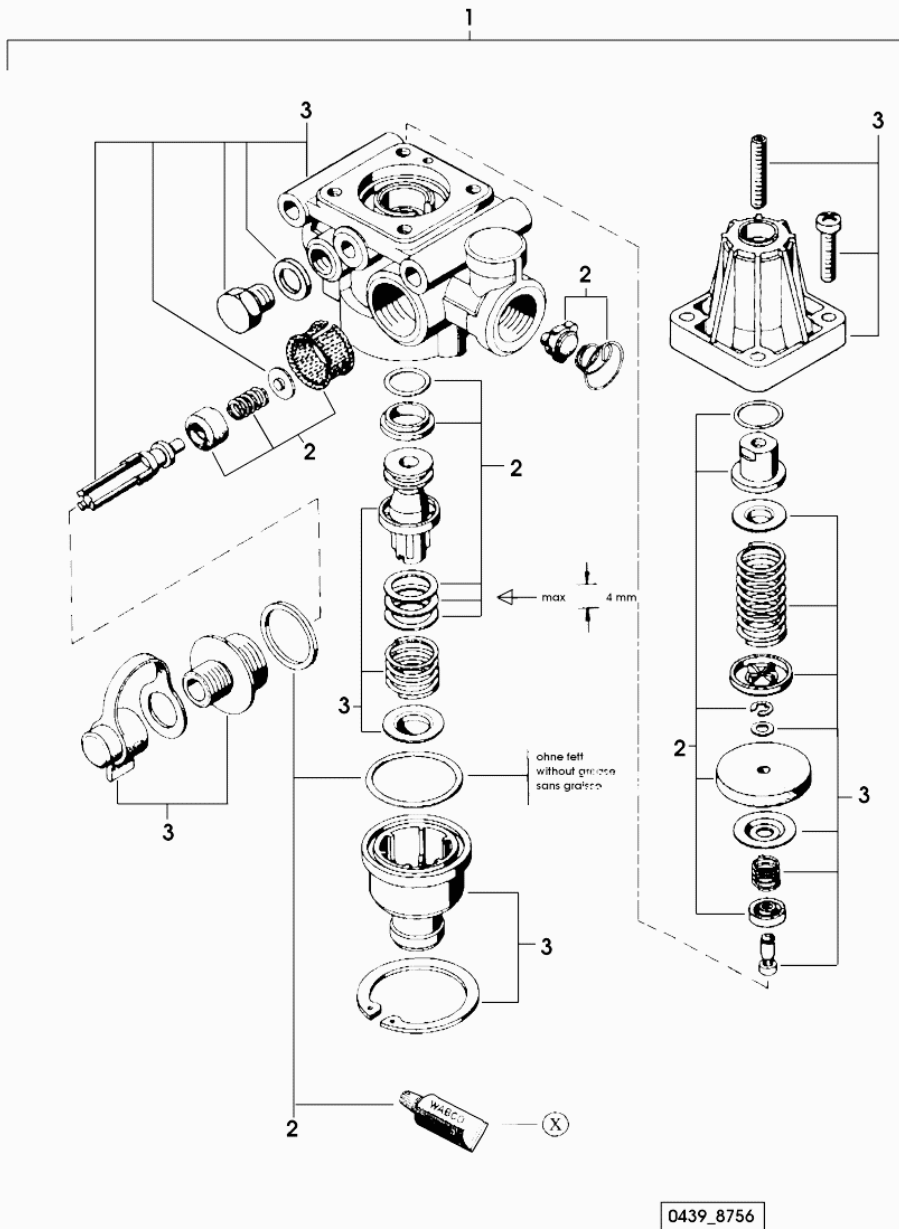


9_H1589_20_0-C-001

10	2.1560.017.0	5	gasket 22.2 x 27
14	2.3335.054.2	1	pipe union m 16 p.1.5
15	2.1569.154.0	1	gasket 16.2x22x6
16	2.1560.011.0	4	gasket 16.2x20
33	0.016.1488.3	1	tube
34	0.016.3931.3	1	tube
46	2.3339.735.2/10	2	pipe union
47	2.1560.014.0	2	gasket 18.2 x 24 x 1.5
48	0.010.4582.4	1	joint CUNA 0.010.4582.4
62	2.1311.007.2	6	flat washer 10
63	2.0112.311.2	3	screw m 10 p.1.5 x 30
79	2.0112.219.2	1	screw m 8 p.1.25x50
80	2.1310.004.2	4	flat washer 8.5
81	2.0112.205.2	3	screw m 8 p.1.25 x 16
82	2.1011.105.2	1	nut m 8 p.1.25
85	0.014.9798.3/10	1	bracket

VALVE PARTS

Fig.	Code	QTY	Name
1	04398756	1	valve
2	0.010.2844.1	1	repair seal set
3	0.000.0000.1	0	not serviceable



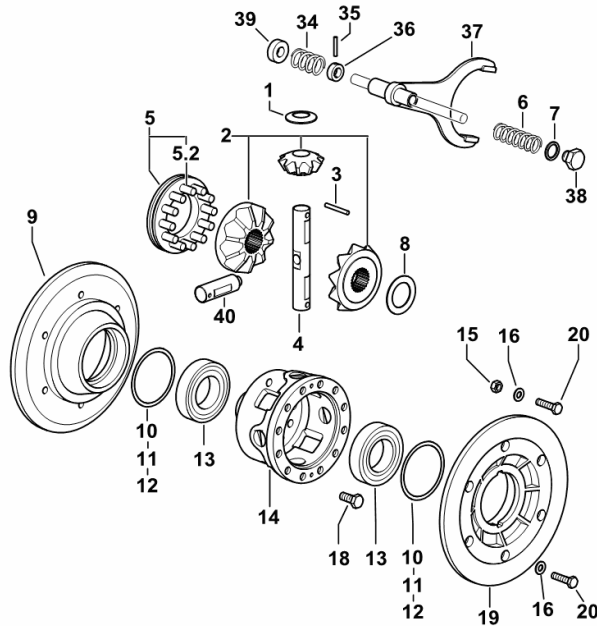
0439_8756

4-PLANET PINION DIFFERENTIAL

Fig.	Code	QTY	Name
------	------	-----	------

Notes:

[Agrofarm 100]



9_B8635_00_0-A-001

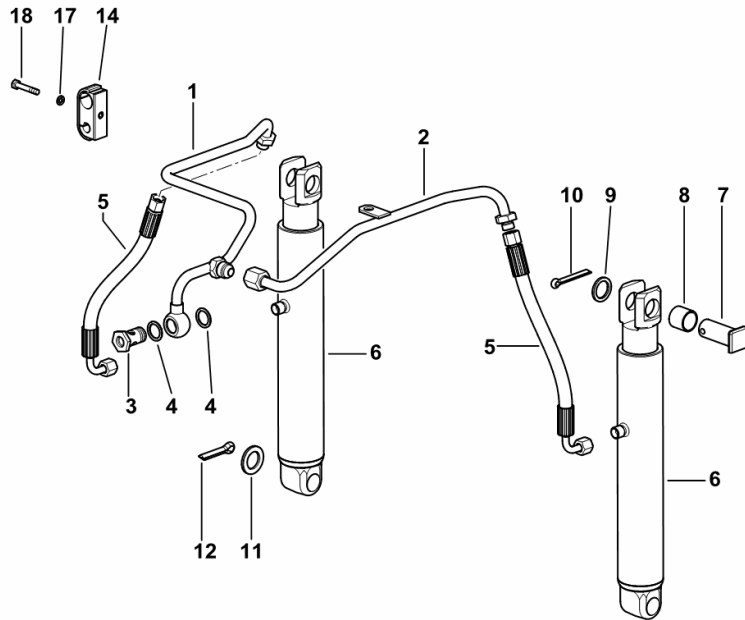
1	0.157.3550.0	4	snoulder
2	0.011.7735.3	1	crown wheel
3	2.1631.519.0	2	roll pin 6x50
4	0.010.0614.0/10	1	pin
5	0.135.3527.3/20	1	sleeve
5.2	0.135.3550.0/10	12	pin
6	2.4019.225.1	1	spring 28 x 79 x 4.5
7	2.1560.014.0	1	gasket 18.2 x 24 x 1.5
8	2.1599.427.0/10	2	snoulder 42x64x0.3
9	0.009.6540.0/20	1	support dx/rh/re
10	2.1580.319.0	5	shim 86x98x0.5
11	2.1580.320.0	4	shim 86x98x0.2
12	2.1580.321.0	2	shim 86x98x0.15
13	2.2520.012.0	2	roller bearing 55 x 100 x 22.75
14	0.011.7732.0/30	1	differential carrier
15	2.1011.106.2	2	nut m 10 p.1.5
16	2.1480.015.1	14	washer 10
18	2.0129.028.2	12	screw m 12 p.1.25x30
19	0.009.6541.0/20	1	flange sx/lh/li
20	2.0312.314.2	12	screw m 10 p.1.5 x 40
34	2.4019.339.1	1	spring 32x56.5x3.5
35	2.1631.415.2	1	pin 5x32
36	0.190.6858.0	1	stop
37	0.445.3541.0/20	1	fork
38	2.3110.405.1	1	plug m 18 p.1.5 x 15
39	2.1549.146.0	1	spacer 16.5X36X12
40	0.010.0613.0	2	pin

Section: R0 - REAR LIFT
HYDRAULIC CYLINDERS

Fig.	Code	QTY	Name
------	------	-----	------

Notes:
 [Agrofarm 100]

1	0.015.0878.3	1	tube
2	0.015.0877.3	1	tube
3	2.3335.008.2	1	pipe union m 18 p.1.5 x 32
4	2.1560.014.0	2	gasket 18.2 x 24 x 1.5
5	0.9012.361.3	2	tube
6	0.98601.10.4/20	2	jack Ø 42
7	2.1699.372.0/30	2	pin 22x59
8	2.1559.076.0	2	bushing 22.05x26.05x23
9	2.1599.656.2	2	washer 22 x 30 x 3.0
10	2.1690.616.2	2	split pin 6.3 x 50
11	2.1310.013.2	2	flat washer 21x37
12	2.1690.713.2	2	split pin 8x36
14	2.3320.212.0	1	terminal
17	2.1470.002.2	1	washer 6, d128
18	2.0112.013.2	1	screw m 6 p.1 x 35



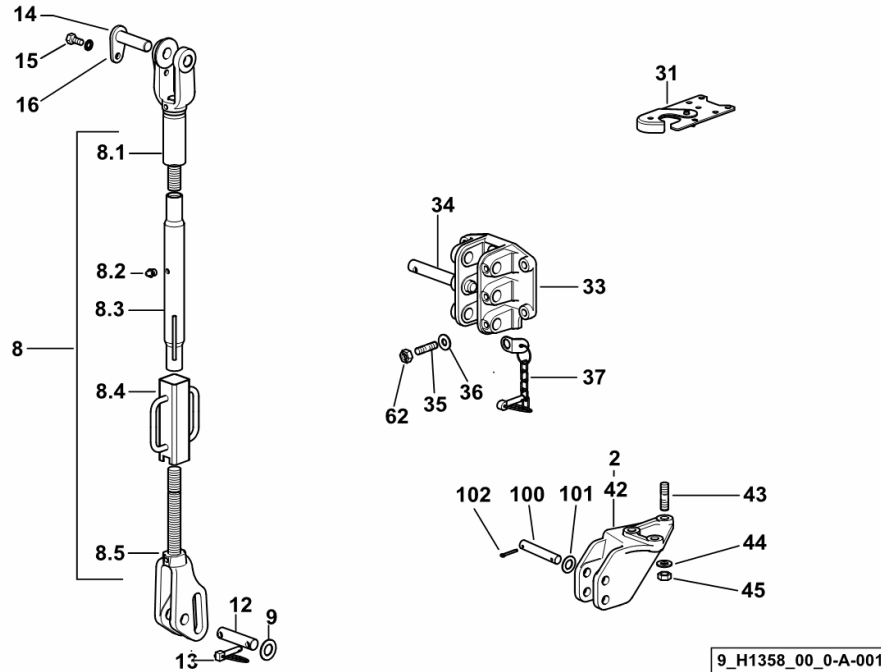
9_H1559_23_0-A-001

Section: R0 - REAR LIFT
3 POINT HITCH

Fig.	Code	QTY	Name
------	------	-----	------

Notes:

[Agrofarm 100] 1039 <-



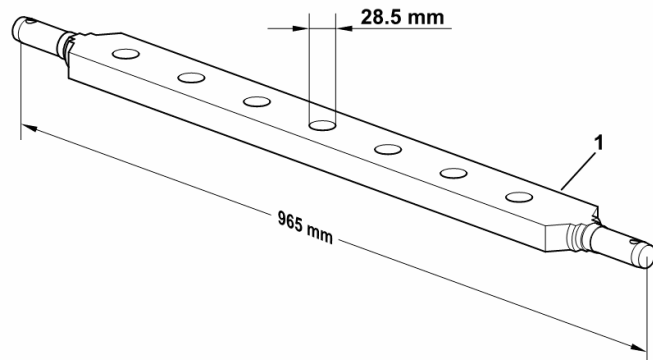
2	0.010.6425.0/20	1	bracket sx/lh/li
8	0.010.4772.4/20	1	rod
8.1	0.010.4773.3/10	1	rod
8.2	2.3820.105.2	1	lubricator m 10 p.1 x 7
8.3	0.010.4029.2/10	1	sleeve
8.4	0.010.4363.2/10	1	grip
8.5	0.010.4030.3/10	1	rod
9	2.1599.678.2	4	washer 25x45x3
12	2.1669.014.2/10	2	pin 24 x 103
13	0.010.9322.4	4	pin Ø 11
14	0.008.8469.2/10	2	pin
15	2.0112.409.2	2	screw m 12 p.1.75 x 25
16	2.1470.007.2	2	lock washer 12
31	0.760.3555.4/30	1	stop
33	0.96037.10.0/20	1	flange
34	0.96035.12.0	1	piston pin
35	2.0422.511.7	4	stud bolt m14 x 40
36	2.1475.005.2	4	washer 14
37	0.96001.70.3	1	pin
42	0.010.6424.0/20	1	bracket dx/rh/re
43	2.0433.416.7	6	stud bolt m 16 p.1.5x55
44	2.1475.006.2	6	washer 16
45	2.1012.309.7	6	nut m 16 p.1.5
62	2.1011.108.2	4	nut m 14 p.2
100	2.1669.001.0	2	pin 19x110x98
101	2.1310.013.2	4	flat washer 21x37
102	2.1690.513.2	4	split pin 5 x 36

TOWING BAR

Fig.	Code	QTY	Name
------	------	-----	------

Notes:
[Agrofarm 100]

1	0.96701.10.0/20	1	draw bar mm 965
---	-----------------	---	-----------------



9_40558_10_0-A-001

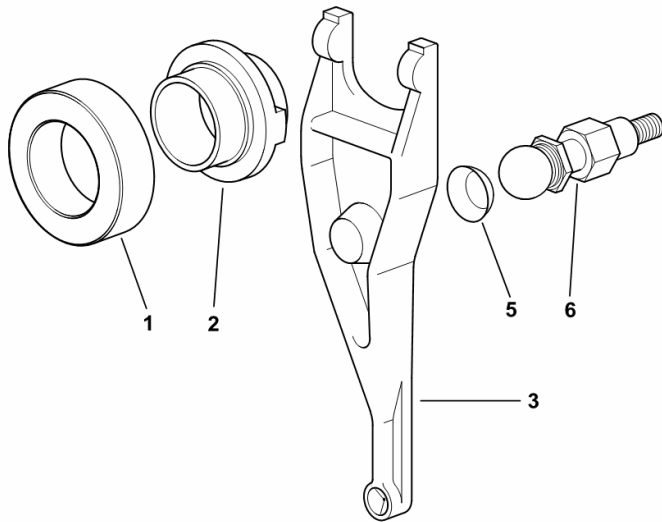
CLUTCH CONTROL

Fig.	Code	QTY	Name
------	------	-----	------

Notes:

[Agrofarm 100]

1	2.2999.475.0	1	bearing 55x90x22
2	0.255.6533.0/30	1	sleeve
3	0.010.4938.3/10	1	fork
5	0.010.4940.0	1	container
6	0.010.5420.0/10	1	pin m 12



9_77865_00_0-B-001

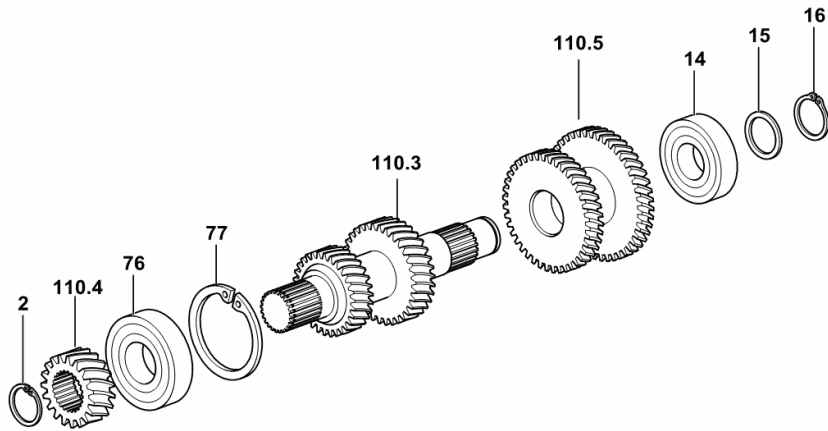
5-SPEED GEARBOX PRIMARY SHAFT

Fig.	Code	QTY	Name
------	------	-----	------

Notes:

[Agrofarm 100] -> 1173 - 1829 <-

2	2.1410.016.1	2	circlip 40
14	2.2060.011.0	1	ball bearing 35 x 80 x 21
15	2.1599.874.0	1	washer 35 x 45 x 3.0
16	2.1410.014.1	1	circlip 35
76	2.2999.367.0	1	bearing 40 x 90 x 23
77	2.1411.036.1	1	circlip 90
110.3	0.009.9599.0/40	1	main shaft
110.4	0.011.3867.0	1	gear Z = 19
110.5	0.013.1425.0	1	gear Z = 40 / Z = 44



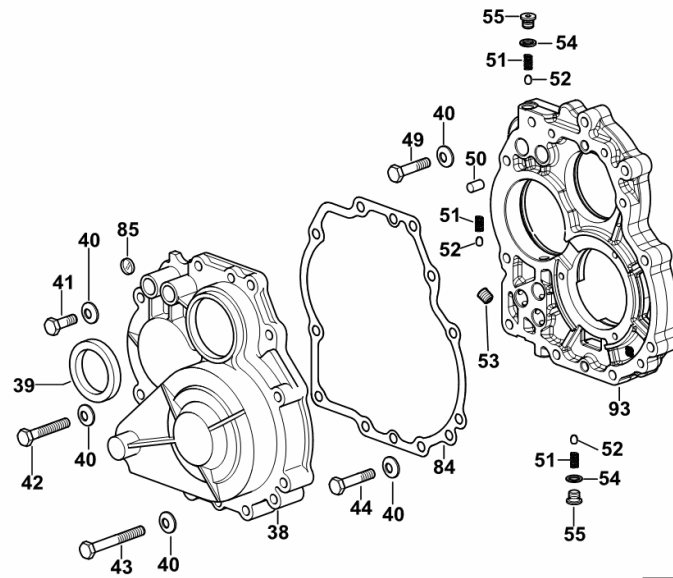
9_H1333_00_0-C-002

5-SPEED GEARBOX INTERNAL FLANGES

Fig.	Code	QTY	Name
------	------	-----	------

Notes:

[Agrofarm 100] -> 1830



9_L7233_00_0-A-001

38	0.255.3357.0/30	1	cover
39	2.1529.079.0	1	'o' ring 50 x 68 x 10
40	2.1481.058.1	14	washer 10
41	2.0112.311.2	3	screw m 10 p.1.5 x 30
42	2.0112.321.2	4	screw m 10 p.1.5 x 60
43	2.0112.325.2	3	screw m 10 p.1.5 x 80
44	2.0112.319.2	1	screw m 10 p.1.5 x 50
49	2.0112.317.2	3	screw m 10 p.1.5 x 45
50	2.1651.807.0	2	pin 10 x 16
51	2.4019.622.1	4	spring 6.3 x 9.5 x 1.6 x 22.4
52	2.2999.156.0	5	ball Ø 10
53	2.3131.001.4	1	plug m 12 p.1.5
54	2.1560.008.0	3	gasket 12.2 x 18
55	2.3199.164.2/20	3	plug m 12 p.1.5
84	0.255.3356.0/10	1	gasket
85	2.3171.007.4	1	plug Ø 18
93	0.007.7307.0/70	1	flange

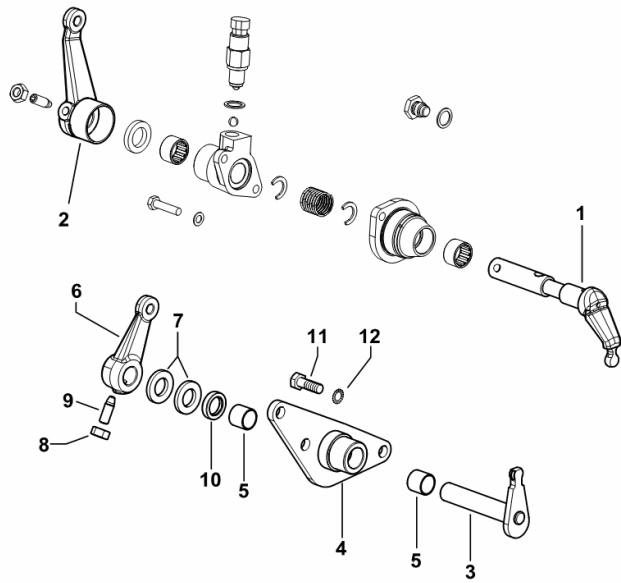
INTERNAL GEARBOX AND REVERSE GEAR CONTROLS

Fig.	Code	QTY	Name
------	------	-----	------

Notes:

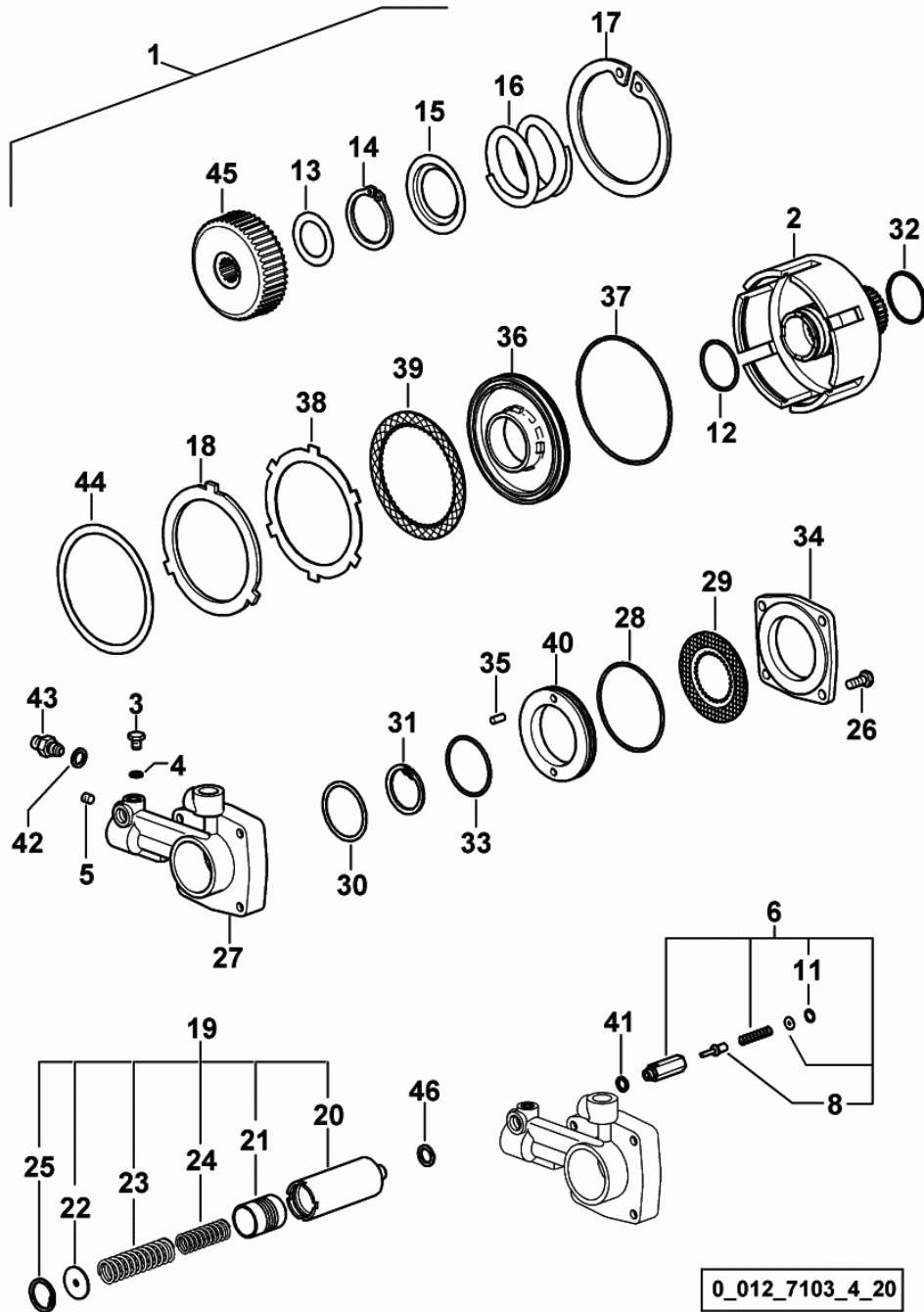
[Agrofarm 100] -> 1824

1	0.014.9374.0/10	1	lever
2	0.014.8061.2	1	lever
3	0.010.8557.2/10	1	lever
4	0.014.8289.2/20	1	flange
5	2.1555.311.0	2	bushing 20x23x20
6	0.014.8068.0/10	1	lever
7	2.1549.117.0/10	2	spacer 20.1 x 36 x 4.6
8	2.1011.406.2	1	nut m 10 p.1
9	2.0399.050.2	1	screw m 10 p.1 x 30
10	2.1520.006.0	1	oil seal 20 x 30 x 7
11	2.0112.409.2	2	screw m 12 p.1.75 x 25
12	2.1470.007.2	2	lock washer 12



9_L1433_01_0-A-001

Section: D0 - TRANSMISSION
P.T.O. - CLUTCH-PARTS



0_012_7103_4_20

Fig.	Code	QTY	Name
1	0.012.7103.4/20	1	hydraulic pto clutch
2	0.008.4043.0/30	1	box
3	2.3110.428.1	1	plug m 8 p.1 x 10
4	2.1560.003.0	1	gasket 8.2 x 12
5	2.0512.202.7	1	screw m 8 p.1.25 x 8
6	0.009.2445.4/20	1	valve
8	0.009.2411.0/20	1	slider
11	2.1411.002.1	1	circlip
12	2.1539.067.0	1	'o' ring 44.12x2.72
13	2.1599.415.0	1	snoulder 35x52x1
14	2.1419.027.1	1	circlip 48
15	0.255.3933.0	1	disc
16	2.4019.373.1	1	spring 79.5x61.5x6.5
17	2.1419.035.1	1	circlip 127
18	0.255.3969.0/10	1	disc
19	0.010.0526.4/10	1	accumulator P.T.O.
20	0.010.0526.0	1	cylinder
21	0.010.0525.0	1	piston
22	2.1599.241.0	1	snoulder 6.0 x 31 x 2.0
23	2.4019.636.1	1	spring 20.8 x 27.2 x 3.2 x 86.5
24	2.4019.638.1	1	spring 14.2 x 19.4 x 2.6 x 58
25	2.1411.013.7	1	circlip Ø 32
26	2.0342.305.2	4	screw m 8 p.1.25 x 20
27	0.000.0000.1	0	not serviceable
28	2.1532.503.0	1	'o' ring 82.14x2.62
29	0.014.0360.2	1	disc
30	2.1599.416.0	1	snoulder 50x58x1
31	2.1419.027.1	1	circlip 48
32	2.1569.109.0	3	gasket 46x50x2
33	2.1532.133.0	1	'o' ring 53.64x2.62
34	0.255.3926.0/10	1	cover
35	2.1651.506.0	2	cylindrical plug 6 x 14
36	0.255.3938.0/40	1	piston
37	2.1539.064.0	1	'o' ring 120.33x2.62
38	0.013.9453.0	5	disc
39	0.255.3970.2	5	disc
40	0.255.3922.0/30	1	piston D 90
41	2.1560.005.0	1	gasket 10.2 x 14
42	2.1560.008.0	1	gasket 12.2 x 18
43	2.3339.453.2	1	pipe fitting m 12 p.1.25-1/2"
44	2.1599.499.0	1	snoulder 110 x 126.5 x 1.2
45	0.008.8806.0/20	1	hub
46	2.1560.010.0	1	gasket 14.2 x 20 x 1.5

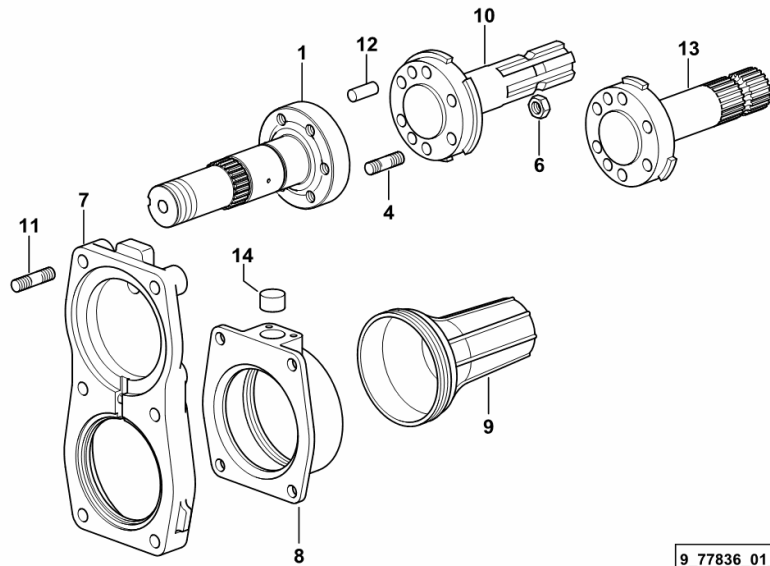
P.T.O - 4-SPEED WITH INSERTED END SHAFT

Fig.	Code	QTY	Name
------	------	-----	------

Notes:

- EXPORT U.S.A. [Agrofarm 100]

1	0.007.3474.0/20	1	p.t.o.shaft
4	2.0432.159.7	6	stud bolt m 10 p.1.5 / p.1.25 x 35
6	2.1011.421.2	6	nut m 10 p.1.25
7	0.009.6901.0/10	1	cover
8	0.011.0795.0/10	1	flange
9	0.008.0757.0	1	guard
10	0.013.0259.0	1	p.t.o.shaft z = 6
11	2.0432.161.7	6	stud bolt m 10 p.1.5 / p.1.25 x 40
12	2.1651.811.0	2	cylindrical plug 10x24
13	0.013.0258.0	1	p.t.o.shaft Z = 21
14	2.3171.008.4	1	plug 20



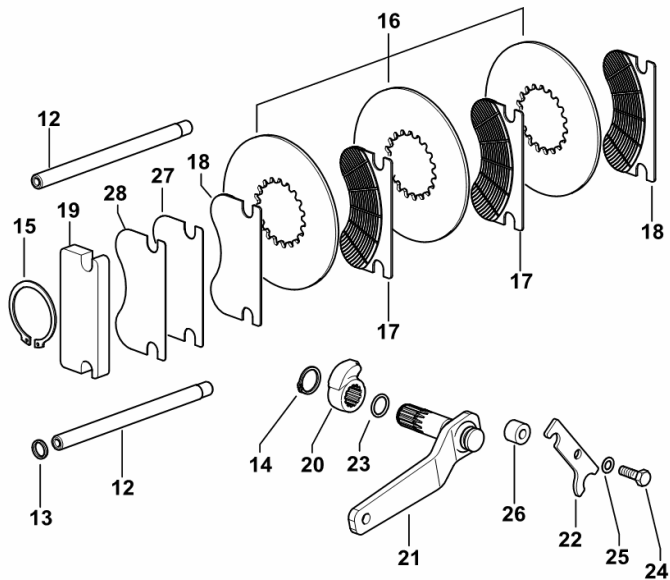
9_77836_01_0-A-001

Section: D0 - TRANSMISSION
INDEPENDENT HAND BRAKE

Fig.	Code	QTY	Name
------	------	-----	------

Notes:
 [Agrofarm 100]

12	0.445.5450.0	2	small column
13	2.1530.034.0	1	'o' ring 13.95x2.62
14	2.1410.006.1	1	circlip 20
15	2.1410.022.1	1	circlip 55
16	0.008.4255.0	3	brake disc 145
17	0.171.5459.2	2	sector
18	0.171.5451.2	2	sector
19	0.188.5459.0/20	1	plate
20	0.008.4287.0/20	1	brake lever
21	0.008.4286.2/20	1	h/brake lever
22	0.445.5451.0	1	small plate
23	2.1530.043.0	1	'o' ring 17.13x2.62
24	2.0112.209.2	1	screw m 8 p 1.25 x 25
25	2.1470.004.2	1	washer 8
26	2.1549.015.0/10	1	spacer 9x20x14.5
27	0.011.5484.0	1	shim mm 1.00
28	0.011.5486.0	1	shim mm 2.00



9_H1354_00_0-B-001

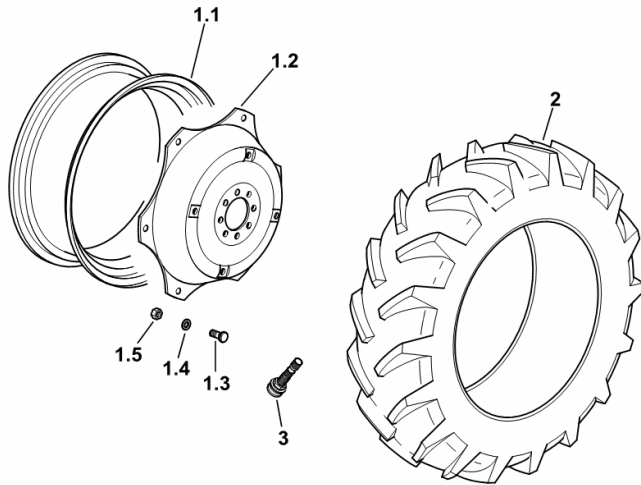
Section: S0 - WHEELS
WHEELS 280/85R28"(11.2R28")

Fig.	Code	QTY	Name
------	------	-----	------

Notes:

[Agrofarm 100]

1.1	0.012.3013.3	1	rim W 10x28" C/ST.
1.2	0.255.5559.0/20	1	rim center flange 28"
1.3	2.0399.030.6	6	screw m 18 p.1.5 x 45
1.4	2.1499.018.6	6	conical washer 18 x 35.5
1.5	2.1011.310.6	6	nut m 18 p.1.5
2	2.4811.059.0	2	tyre 280/85R28"(11.2R28")
3	0.012.6364.0	2	valve



9_L1455_20_0-A-001

CLICK HERE TO **DOWNLOAD** THE COMPLETE MANUAL

- Thank you very much for reading the preview of the manual.
- You can download the complete manual from: www.heydownloads.com by clicking the link below



- Please note: If there is no response to CLICKING the link, please download this PDF first and then click on it.

CLICK HERE TO **DOWNLOAD** THE COMPLETE MANUAL