

AgroCompact F80

ACCESSORIES

GENERAL

AUXILIARY FRONT HYDRAULIC DISTRIBUTOR WITH 4 OIL WAYS - FOR MODELS WITHOUT CAB.....	0E.00.1
AUXILIARY FRONT HYDRAULIC DISTRIBUTOR WITH 4 OIL WAYS - FOR MODELS WITH CAB.....	0E.00.4
AUXILIARY FRONT HYDRAULIC DISTRIBUTOR WITH 4 OIL WAYS - FOR MODELS WITH CAB.....	0E.00.5
BRACKET.....	0E.00.6
AUXILIARY FRONT HYDRAULIC DISTRIBUTOR WITH 4 OIL WAYS - FOR MODELS WITHOUT CAB.....	0E.00.7
PIPES FOR 6-WAY FRONT CONTROL VALVE - FOR MODELS WITH CAB.....	0E.00.9
AUXILIARY FRONT HYDRAULIC DISTRIBUTOR WITH 4 OIL WAYS - FOR MODELS WITHOUT CAB.....	0E.00.10
AUXILIARY FRONT HYDRAULIC DISTRIBUTOR WITH 4 OIL WAYS.....	0E.00.11
CONTROLS FOR 4-WAY FRONT AUXILIARY SERVICES CONTROL VALVE.....	0E.00.12
KNOBS FOR 4-WAY AUXILIARY SERVICES CONTROL VALVE.....	0E.00.13
AUXILIARY FRONT HYDRAULIC DISTRIBUTOR WITH 6 OIL WAYS.....	0E.00.14
AUXILIARY FRONT HYDRAULIC DISTRIBUTOR WITH 6 OIL WAYS.....	0E.00.15
AUXILIARY FRONT HYDRAULIC DISTRIBUTOR WITH 6 OIL WAYS.....	0E.00.16
BRACKETS FOR 6-WAY AUXILIARY SERVICES CONTROL VALVE.....	0E.00.18
4-WAY AUXILIARY DISTRIBUTOR.....	0E.00.19
6-WAY AUXILIARY DISTRIBUTOR.....	0E.00.20
6-WAY AUXILIARY DISTRIBUTOR.....	0E.00.21
6-WAY AUXILIARY DISTRIBUTOR.....	0E.00.22
6-WAY AUXILIARY DISTRIBUTOR - FOR 28" NARROW PLATFORM.....	0E.00.23
OIL REGULATOR CONTROL - FOR 28" NARROW PLATFORM.....	0E.00.24
4 - 6 - WAY DISTRIBUTOR EQUIPMENT.....	0E.00.25
4 - 6 - WAY DISTRIBUTOR EQUIPMENT.....	0E.00.26
4-WAY AUXILIARY DISTRIBUTOR - FOR 20" PLATFORM.....	0E.00.27
4-WAY AUXILIARY DISTRIBUTOR - FOR 24" - 28" PLATFORM.....	0E.00.28
4-WAY AUXILIARY DISTRIBUTOR - FOR 24" - 28" PLATFORM.....	0E.00.29
4-WAY AUXILIARY DISTRIBUTOR - FOR TYPES WITH FENDERS.....	0E.00.30
4-WAY AUXILIARY DISTRIBUTOR - FOR 24" PLATFORM.....	0E.00.31
4-WAY AUXILIARY DISTRIBUTOR - FOR 24" PLATFORM.....	0E.00.32
4-WAY AUXILIARY DISTRIBUTOR - FOR 28" PLATFORM.....	0E.00.33
4-WAY AUXILIARY DISTRIBUTOR - FOR 28" PLATFORM.....	0E.00.34
4-WAY AUXILIARY DISTRIBUTOR - FOR 28" NARROW PLATFORM.....	0E.00.35
6-WAY AUXILIARY DISTRIBUTOR - FOR 20" PLATFORM.....	0E.00.36
6-WAY AUXILIARY DISTRIBUTOR - FOR 24" - 28" PLATFORM.....	0E.00.37
6-WAY AUXILIARY DISTRIBUTOR - FOR 24" - 28" PLATFORM.....	0E.00.38
6-WAY AUXILIARY DISTRIBUTOR WITH ELECTRONIC LIFT.....	0E.00.39
6-WAY AUXILIARY DISTRIBUTOR WITH ELECTRONIC LIFT.....	0E.00.40
6-WAY AUXILIARY DISTRIBUTOR - FOR TYPES WITH FENDERS.....	0E.00.41
6-WAY AUXILIARY DISTRIBUTOR - FOR 24" PLATFORM.....	0E.00.42
6-WAY AUXILIARY DISTRIBUTOR - FOR 24" PLATFORM.....	0E.00.43
6-WAY AUXILIARY DISTRIBUTOR - FOR 28" PLATFORM.....	0E.00.44

CLICK HERE TO **DOWNLOAD** THE COMPLETE MANUAL

- Thank you very much for reading the preview of the manual.
- You can download the complete manual from: www.heydownloads.com by clicking the link below



- Please note: If there is no response to CLICKING the link, please download this PDF first and then click on it.

CLICK HERE TO **DOWNLOAD** THE COMPLETE MANUAL

Section: ACCESSORIES

PIPES FOR 6-WAY FRONT CONTROL VALVE - FOR MODELS WITH CAB

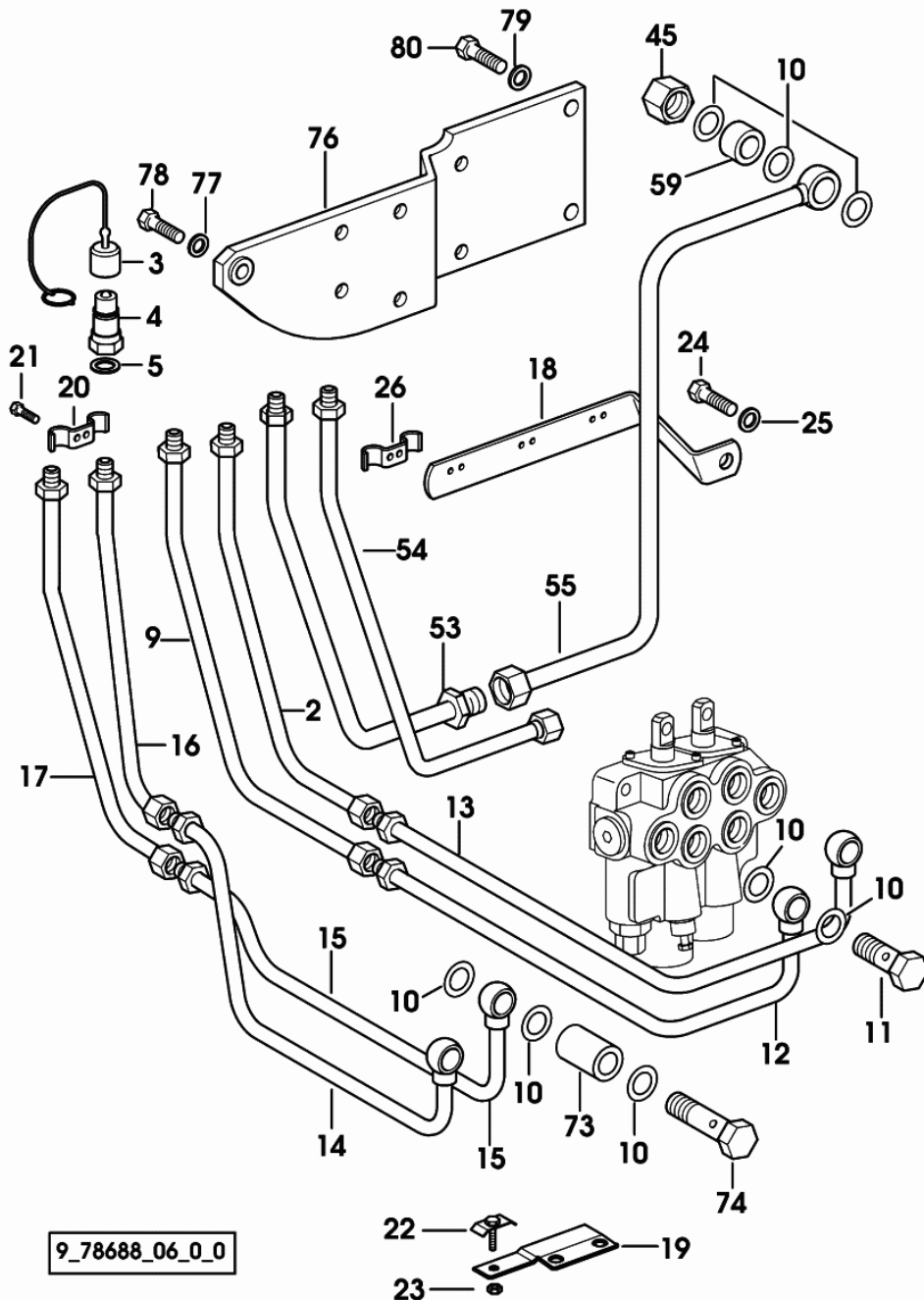


Fig.	Code	QTY	Name
------	------	-----	------

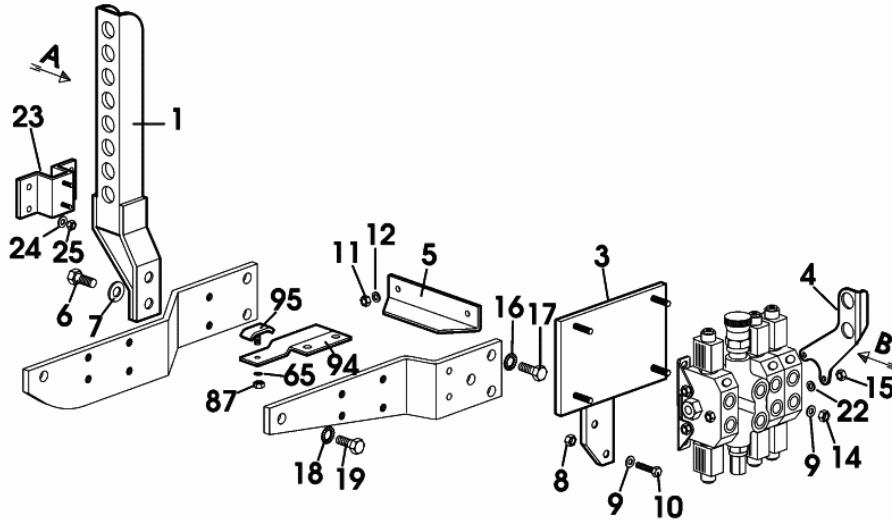
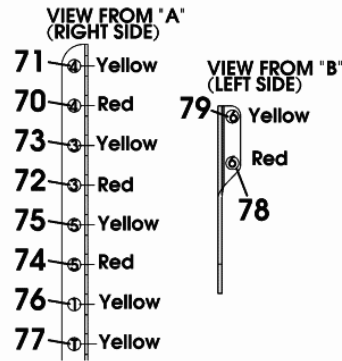
Notes:

-> 1120 X AgroCompact 70F4 -> 1133 X AgroCompact F80 -> 1051 X AgroCompact F90

2	0.011.2626.3/10	1	tube
3	0.009.3149.0	6	plug
4	0.98309.51.3/10	6	coupling 1/2
5	2.1560.054.0	6	gasket 21 x 26
9	0.011.2627.3/10	1	tube
10	2.1560.014.0	13	gasket 18.2 x 24 x 1.5
11	2.3335.008.2	2	pipe union m 18 p.1.5 x 32
12	0.011.2623.3	1	tube
13	0.011.2624.3	1	tube
14	0.011.2669.3	1	tube
15	0.011.2668.3	1	tube
16	0.011.2628.3/10	1	tube
17	0.011.2629.3/10	1	tube
18	0.011.3562.0	1	bracket
19	0.010.9537.0	1	bracket
20	0.009.8707.0	2	clamp
21	2.0112.007.2	6	screw m 6 p.1 x 20
22	0.154.6377.3	1	terminal
23	2.1011.103.2	1	nut m 6 p.1
24	2.0112.613.2	1	screw m 16 p.2x35
25	2.1475.006.2	1	washer 16
26	0.011.2640.0	1	bracket
45	2.1099.145.2/10	1	special nut m 18 p.1.5
53	0.011.2632.3	1	tube
54	0.011.2625.3/10	1	tube
55	0.011.2634.3	1	tube
55	0.012.0124.3	1	tube
			1162 <- X AgroCompact 70F4
			1186 <- X AgroCompact F80
			1066 <- X AgroCompact F90
			-> 1163 X AgroCompact 70F4
			-> 1187 X AgroCompact F80
			-> 1067 X AgroCompact F90
59	2.1579.936.2	1	spacer 19x25x20
73	2.1549.089.2	2	spacer 18.6x25x30
74	2.3339.585.2/20	2	pipe union m 18 p.1.5x66
76	0.011.4325.2/10	1	plate dx/rh/re
77	2.1475.005.7	1	washer 14
78	2.0112.515.2	1	screw m 14 p.2 x 40
79	2.1475.006.2	2	washer 16
80	2.0112.615.2	2	screw m 16 p.2 x 40

AUXILIARY FRONT HYDRAULIC DISTRIBUTOR WITH 6 OIL WAYS

Fig.	Code	QTY	Name
			-> 1086 X AgroCompact 70F4 -> 1098 X AgroCompact F80 -> 1037 X AgroCompact F90
87	2.1011.103.2	13	nut m 6 p.1
94	0.010.9537.0	1	bracket X AgroCompact F60 X AgroCompact 70F3
			-> 1086 X AgroCompact 70F4 -> 1098 X AgroCompact F80 -> 1037 X AgroCompact F90
95	0.154.6377.3	1	terminal -> 1100 X AgroCompact F60 -> 1022 X AgroCompact 70F3 -> 1146 X AgroCompact 70F4 -> 1157 X AgroCompact F80 -> 1067 X AgroCompact F90
95	0.154.6377.3	7	terminal 1099 <- X AgroCompact F60 1021 <- X AgroCompact 70F3 -> 1106 - 1145 <- X AgroCompact 70F4 -> 1116 - 1156 <- X AgroCompact F80 -> 1041 - 1066 <- X AgroCompact F90



9_78688_25_0_A

AUXILIARY FRONT HYDRAULIC DISTRIBUTOR WITH 6 OIL WAYS

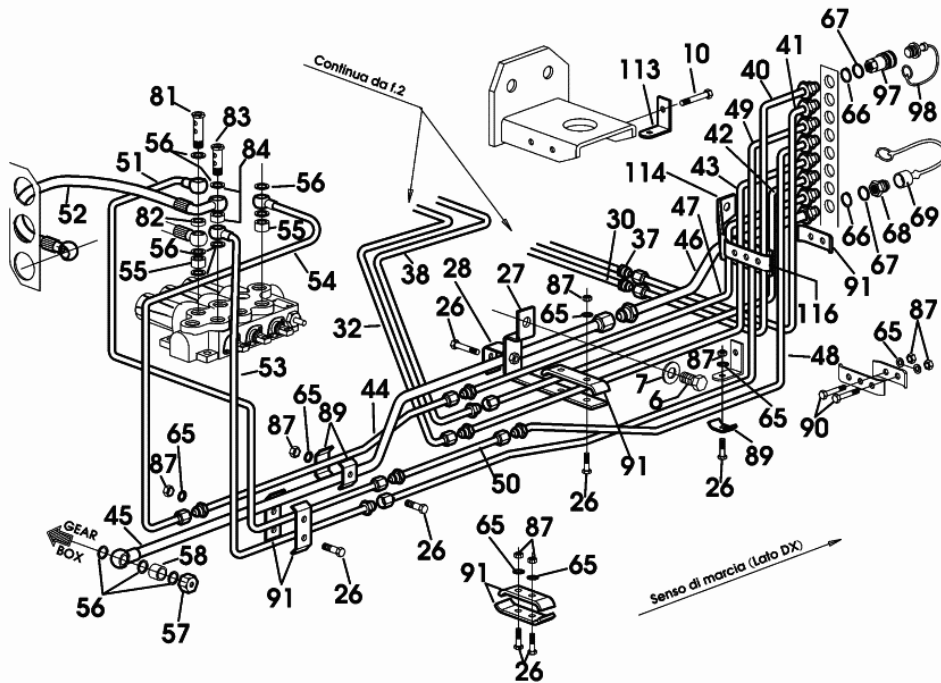


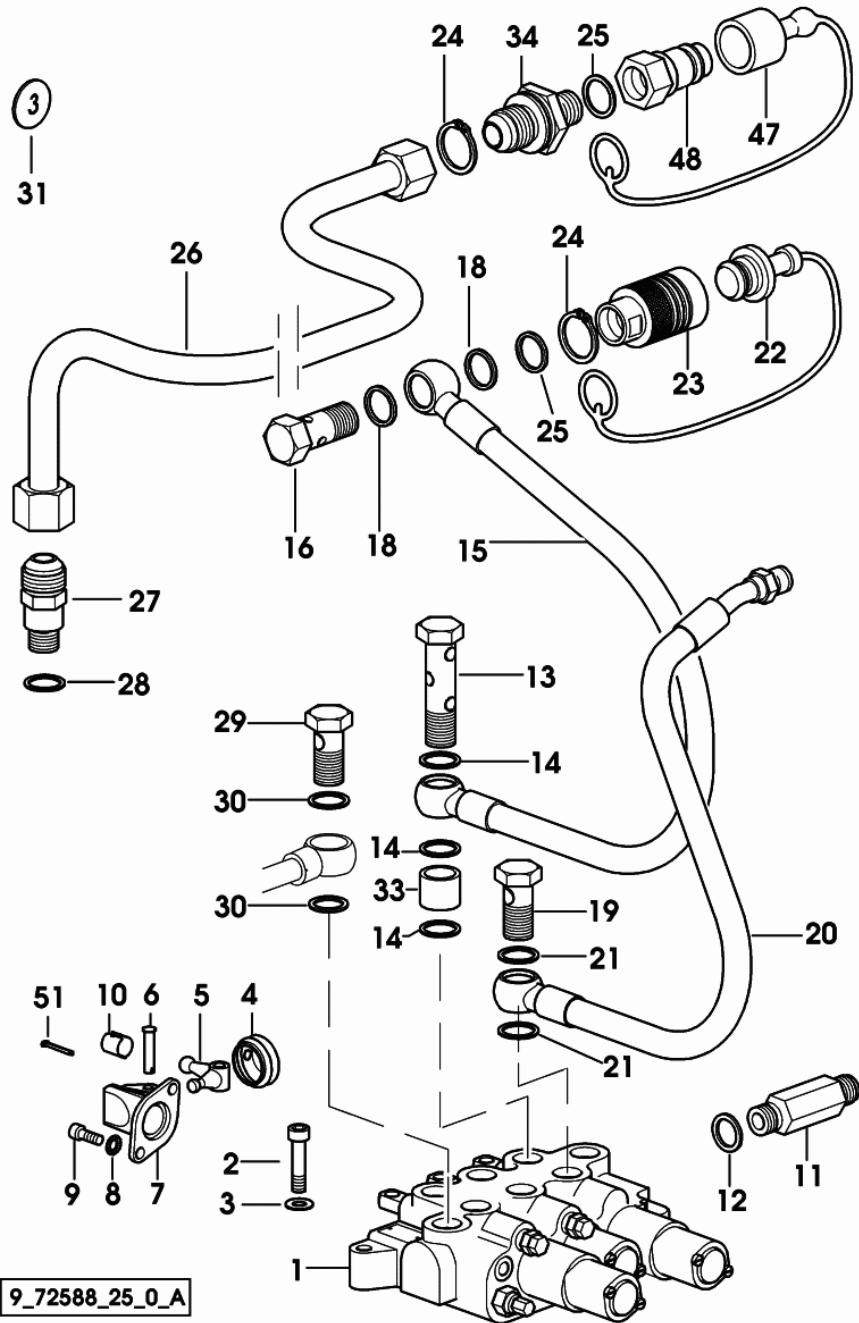
Fig.	Code	QTY	Name
90	2.0112.009.2	4	-> 1116 X AgroCompact F80 -> 1041 X AgroCompact F90 screw m 6 p.1 x 25 -> 1086 - 1105 <- X AgroCompact 70F4 -> 1098 - 1115 <- X AgroCompact F80 -> 1037 - 1040 <- X AgroCompact F90
90	2.0112.017.2	2	screw m 6 p.1x45
91	0.212.6370.0	6	clamp
97	0.98308.50.3/10	9	coupling X AgroCompact F60 X AgroCompact 70F3 -> 1106 X AgroCompact 70F4 -> 1116 X AgroCompact F80 -> 104 ☞ 0.98308.50.3/10 ☞ 0E.00.113
98	0.013.7997.0	9	plug
113	0.012.6682.0	1	bracket -> 1100 X AgroCompact F60 -> 1022 X AgroCompact 70F3 -> 1146 X AgroCompact 70F4 -> 1157 X AgroCompact F80 -> 1067 X AgroCompact F90
114	0.012.6684.0	1	bracket -> 1100 X AgroCompact F60 -> 1022 X AgroCompact 70F3 -> 1146 X AgroCompact 70F4 -> 1157 X AgroCompact F80 -> 1067 X AgroCompact F90
116	0.012.6735.0	1	bracket -> 1100 X AgroCompact F60 -> 1022 X AgroCompact 70F3 -> 1146 X AgroCompact 70F4 -> 1157 X AgroCompact F80 -> 1067 X AgroCompact F90

9_78688_25_0_C

6-WAY AUXILIARY DISTRIBUTOR - FOR 28" NARROW PLATFORM

Fig.	Code	QTY	Name
------	------	-----	------

- > 1042 X AgroCompact 70F3
- > 1234 X AgroCompact 70F4
- > 1331 X AgroCompact F80
- > 1175 X AgroCompact F90



9_72588_25_0_A

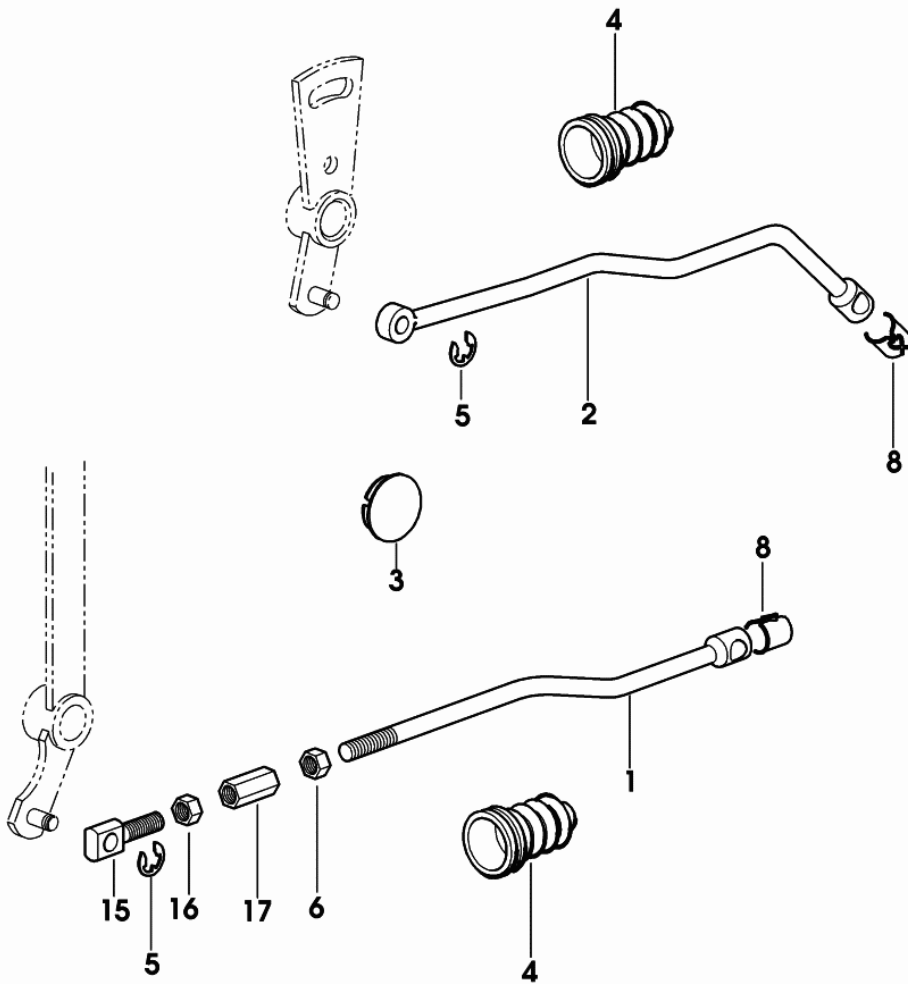
4-WAY AUXILIARY DISTRIBUTOR - FOR 24" PLATFORM

Fig.	Code	QTY	Name
------	------	-----	------

Notes:

-> 1111 X AgroCompact F60 -> 1023 X AgroCompact 70F3 -> 1164 X AgroCompact 70F4 -> 1186 X AgroCompact F80 -> 1068 X AgroCompact F90

1	0.010.6812.0/30	1	rod
2	0.010.6813.0/30	1	rod
3	2.6070.051.0	1	plug Ø 25 -> 1018 X AgroCompact F60 -> 1005 X AgroCompact 70F3 -> 1019 X AgroCompact 70F4 -> 1025 X AgroCompact F80 -> 1008 X AgroCompact F90
4	0.009.8175.0/10	2	bellows
5	2.1430.007.2	2	circlip 6, d128
6	2.1011.105.2	1	nut m 8 p.1.25
8	0.257.6757.0	2	spring
15	0.012.6541.0	1	terminal m 8
16	2.1019.127.2	1	nut m 8 p.1.25 x 6.8, sx/lh/li
17	2.1099.156.2	1	special nut m 8



9_70288_37_0_0

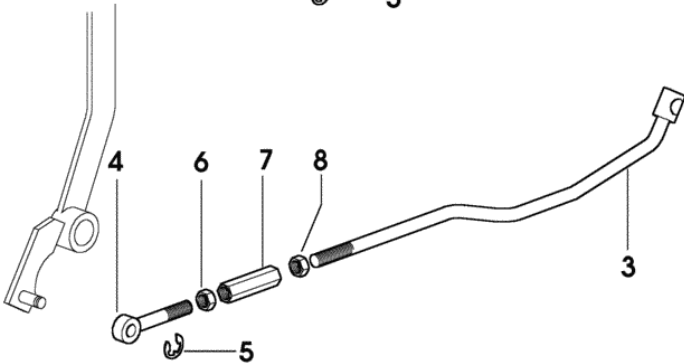
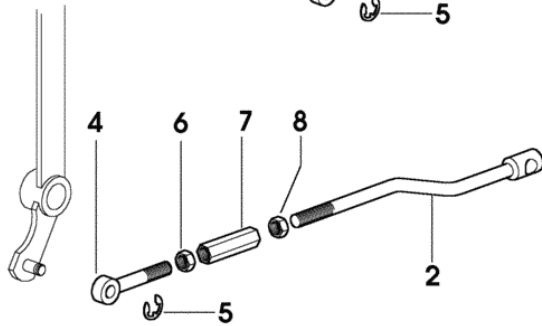
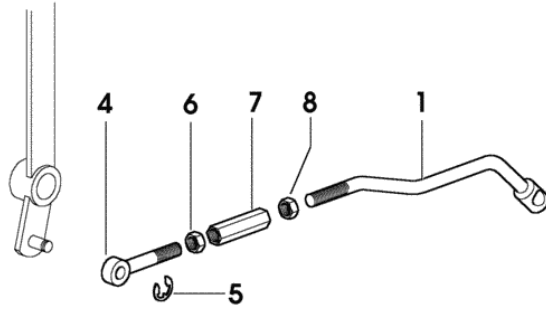
6-WAY AUXILIARY DISTRIBUTOR - FOR TYPES WITH FENDERS

Fig.	Code	QTY	Name
------	------	-----	------

Notes:

(...) <- X AgroCompact F60 (...) <- X AgroCompact 70F3 (...) <- X AgroCompact 70F4 (...) <- X AgroCompact F80 (...) <- X AgroCompact F90

1	0.010.8407.0	1	rod
2	0.010.8405.0	1	rod
3	0.010.8406.0	1	rod
4	0.010.4186.0	3	tip m 8
5	2.1430.007.2	3	circlip 6, d128
6	2.1019.127.2	3	nut m 8 p.1.25 x 6.8, sx/lh/li
7	2.1099.139.2/10	3	nut m 8
8	2.1011.105.2	3	nut m 8 p.1.25



9_79088_32_0_0

Section: ACCESSORIES

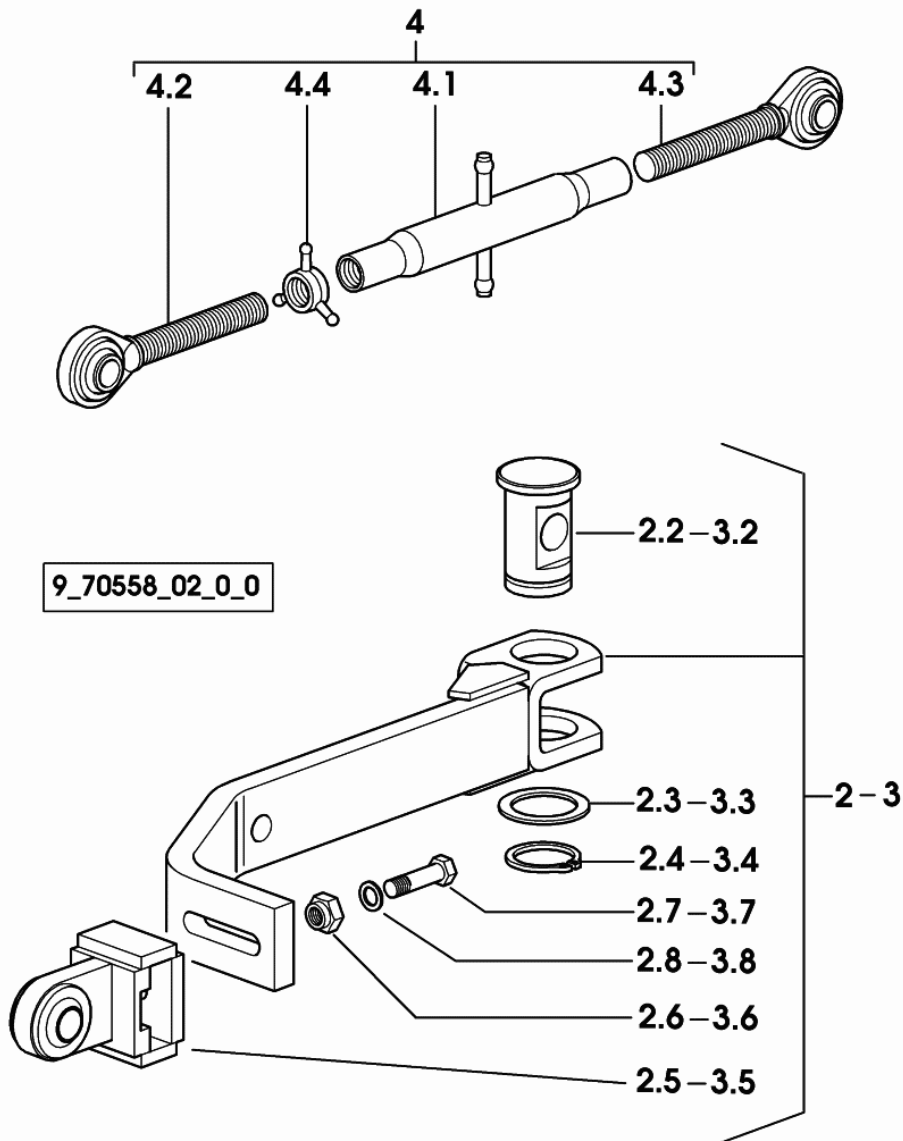
THREE-POINT COUPLING - TOP/LOWER LINK

Fig.	Code	QTY	Name
------	------	-----	------

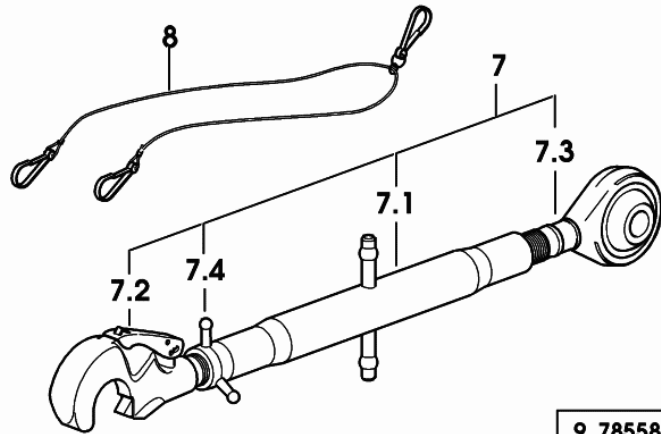
Notes:

-> 1050 X AgroCompact F60 -> 1007 X AgroCompact 70F3 -> 1055 X AgroCompact 70F4 -> 1045 X AgroCompact F80 -> 1011 X AgroCompact F90

2	0.011.5781.4	1	right hand arm dx/rh/re
2.2	0.010.7747.0	1	pin
2.3	2.1599.521.0/10	1	snoulder 60.5 x 82 x 3.5
2.4	2.1410.024.1	1	circlip Ø 60 mm
2.5	0.011.5780.3	1	terminal
2.6	2.1019.142.2	1	nut
2.7	2.0112.621.2	1	screw m 16 p.2 x 60
2.8	2.1475.006.2	1	washer 16
3	0.011.5782.4	1	left hand arm sx/lh/li
3.2	0.010.7747.0	1	pin
3.3	2.1599.521.0/10	1	snoulder 60.5 x 82 x 3.5
3.4	2.1410.024.1	1	circlip Ø 60 mm
3.5	0.011.5780.3	1	terminal
3.6	2.1019.142.2	1	nut
3.7	2.0112.621.2	1	screw m 16 p.2 x 60
3.8	2.1475.006.2	1	washer 16
4	0.96079.13.4/10	1	3 point hitch
4.1	0.96018.13.3	1	sleeve
4.2	0.96044.14.3	1	rod dx/rh/re
4.3	0.760.3515.3	1	rod sx/lh/li
4.4	0.96014.57.0	1	wing nut m 27 p.3



THREE-POINT COUPLING - TOP/LOWER LINK - AUTOM. - FOR NARROW CRAMER TOW HOOK



9_78558_03_0_A

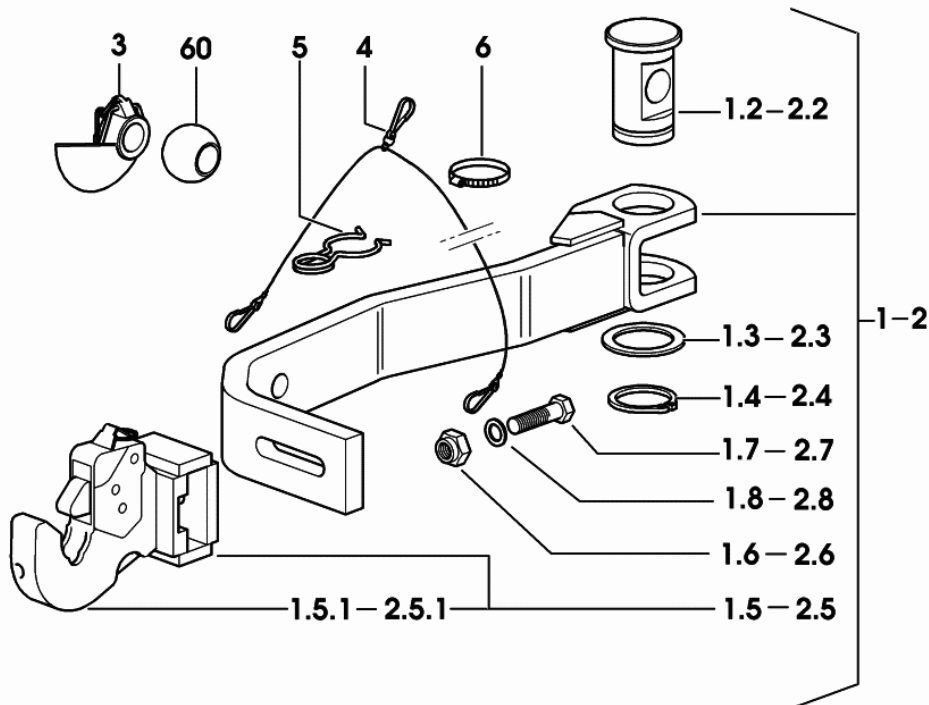


Fig.	Code	QTY	Name
			-> (...) X AgroCompact 70F3
			-> (...) X AgroCompact 70F4
			-> (...) X AgroCompact F80
			-> (...) X AgroCompact F90
7.1	0.011.3994.3	1	sleeve
7.2	0.011.3988.3	1	rod 2 cat.- WALTERSCHEID - WALTERSCHEID COMPONENT PARTS SEE COMPONENTS LIST ☞ 0.011.3988.3 ☞ 0E.00.118
7.2	0.014.1412.3	1	rod 2 cat.-CBM- - CBM COMPONENT PARTS SEE COMPONENTS LIST ☞ 0.014.1412.3 ☞ 0E.00.119
7.3	0.760.3515.3	1	rod sx/lh/li
7.4	0.96014.57.0	1	wing nut m 27 p.3
8	0.009.3534.0	1	cable
60	0.760.5952.0	2	cap Ø 56

Section: ACCESSORIES

3-POINT HITCH WITH ELECTRO-HYDRAULIC ADJUSTMENT

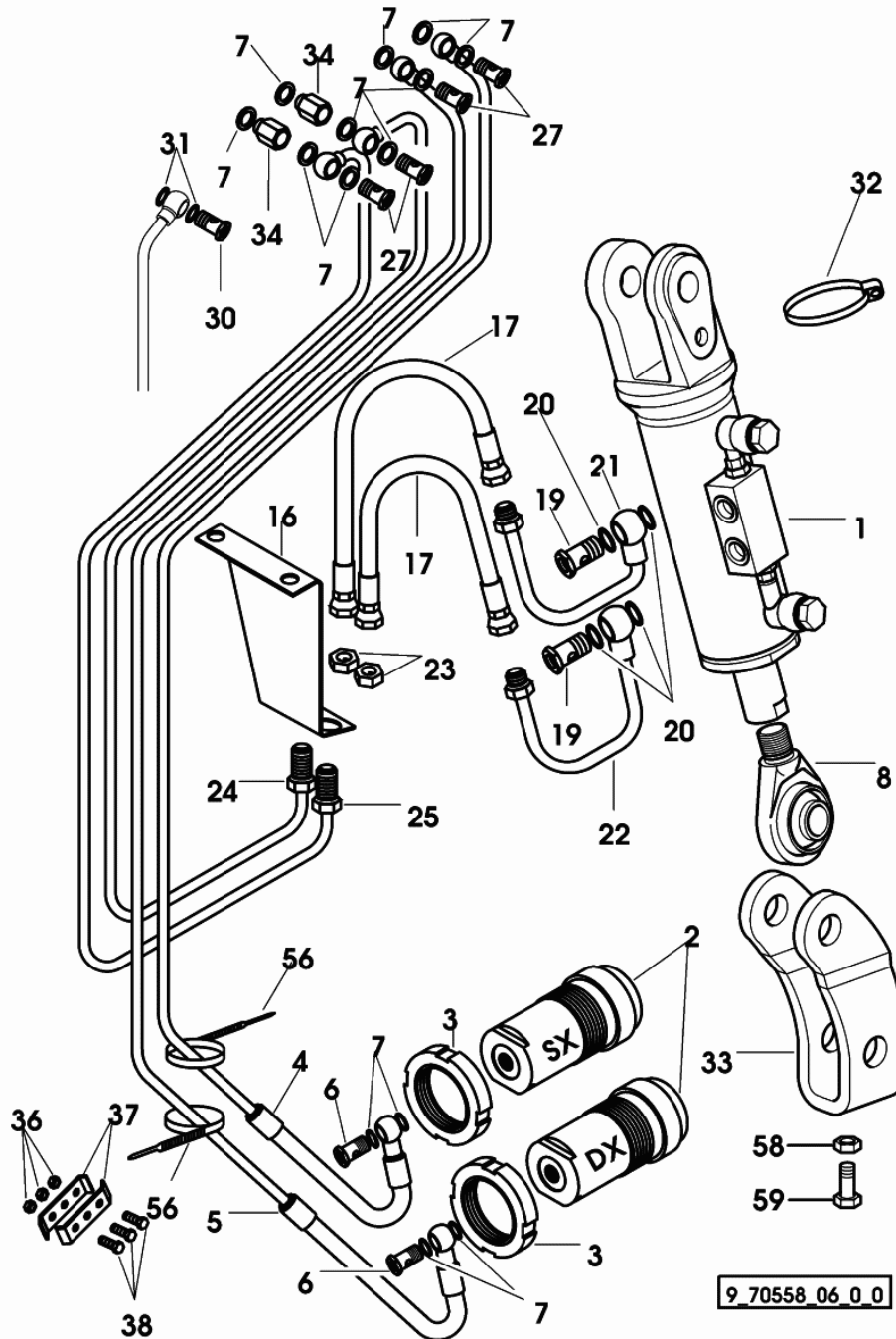


Fig.	Code	QTY	Name
------	------	-----	------

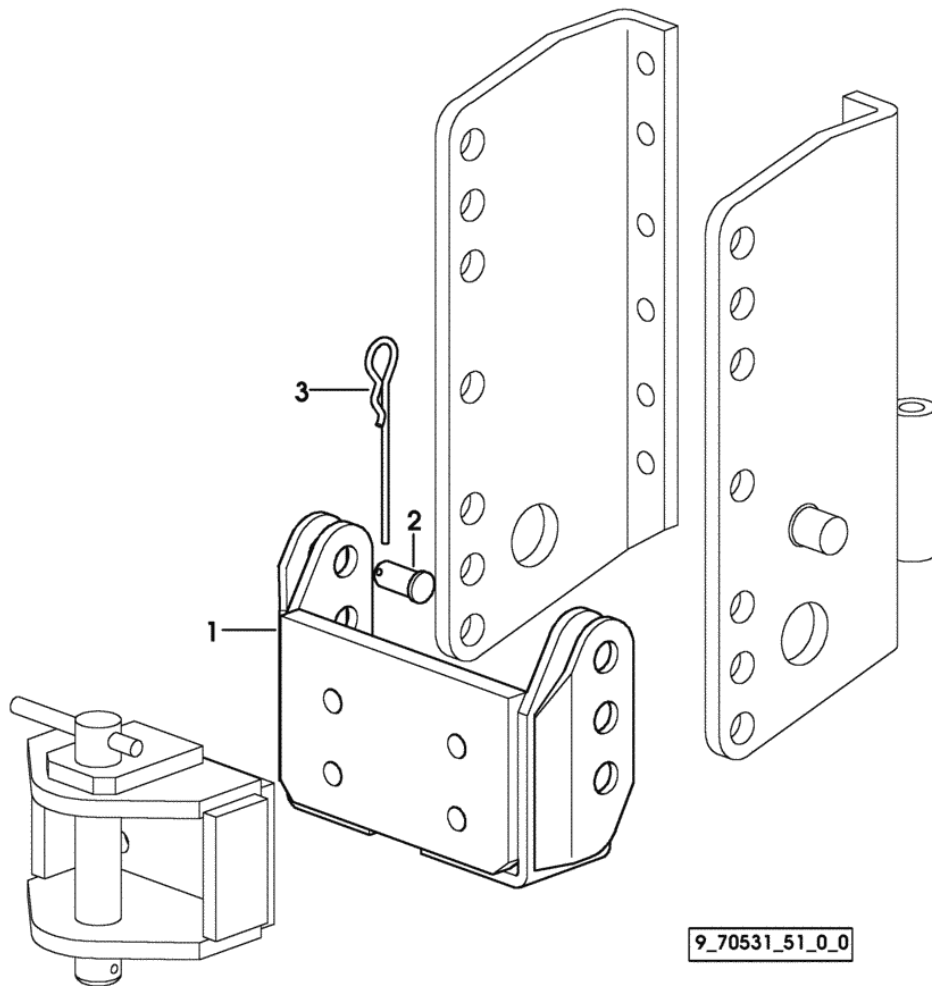
Notes:

-> 1084 - 1126 <- X AgroCompact F60 -> 1019 - 1025 <- X AgroCompact 70F3 -> 1106 - 1172 <- X AgroCompact 70F4 -> 1114 - 1226 <- X AgroCompact F80 -> 1042 - 1109 <- X AgroCompact F90

1	0.011.3468.4/10	1	roller 65x40x165 COMPONENT PARTS SEE COMPONENTS LIST ☞ 0.011.3468.4/10 ☞ 0E.00.120
2	0.011.4904.4	2	cylinder A = mm 108.5 COMPONENT PARTS SEE COMPONENTS LIST ☞ 0.011.4904.4 ☞ 0E.00.123
3	2.1211.011.7	2	ring nut m 50 p.1.5
4	0.011.7768.3/10	1	tube sx/lh/li
5	0.011.7767.3	1	tube dx/rh/re
6	2.3335.005.2	3	pipe union m 12 p.1.5 x 24
7	2.1560.008.0	16	gasket 12.2 x 18
8	0.011.0261.3	1	head
16	0.011.3264.0	1	bracket
17	0.011.3362.3	2	tube
19	2.3335.007.2	2	pipe union m 16 p.1.5
20	2.1560.011.0	4	gasket 16.2x20
21	0.011.3364.3	1	tube
22	0.011.3365.3	1	tube
23	2.1019.093.2	2	nut 1/2 - 20 UNF-2B
24	0.011.7766.3	1	tube
25	0.011.7765.3	1	tube
27	2.3332.003.2	4	pipe union m 12 p.1.25 x 23
30	2.3332.004.2	1	pipe union m 14 p.1.5 x 27
31	2.1560.010.0	2	gasket 14.2 x 20 x 1.5
32	2.6850.013.0	1	clamp 60-100
33	0.011.3271.0/20	2	bracket
34	2.3339.788.2	2	pipe fitting m 12 p.1.25
36	2.1011.103.2	3	nut m 6 p.1
37	0.465.6362.0	2	terminal
38	2.0112.007.2	3	screw m 6 p.1 x 20
56	2.6859.030.0	2	clamp
58	2.1011.108.2	4	nut m 14 p.2
59	2.0112.511.2	4	screw m 14 p.2 x 30

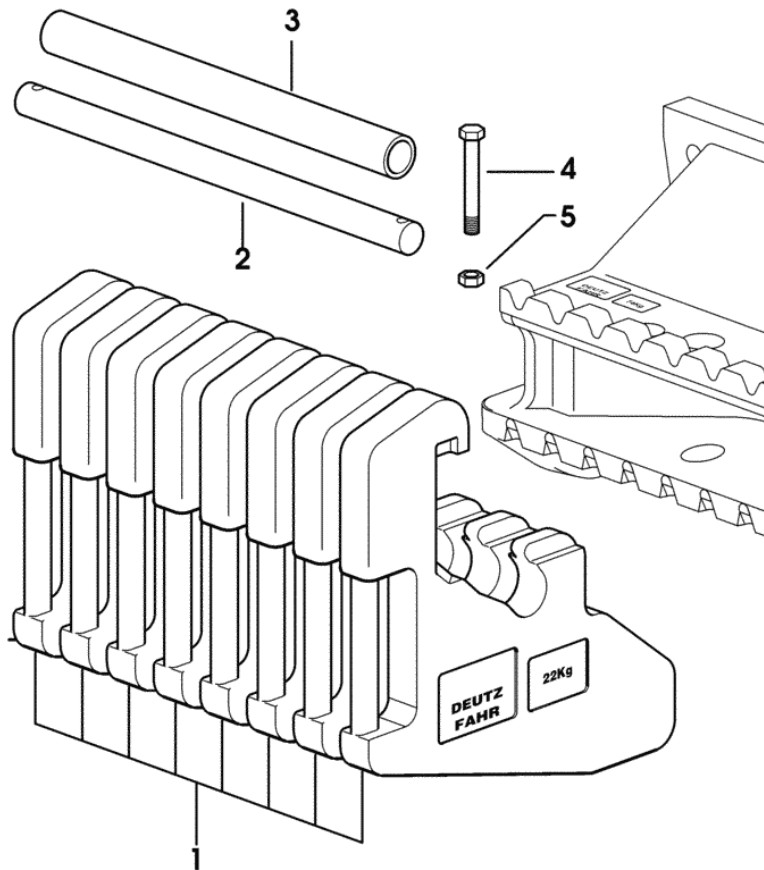
FRAME HOOK HOLDER GRASSI

Fig.	Code	QTY	Name
1	0.011.3621.2/10	1	support
2	0.467.3119.0/10	4	pin
3	2.1699.236.2	2	pin Ø 5



Section: ACCESSORIES
FRONT BALLAST n. 8

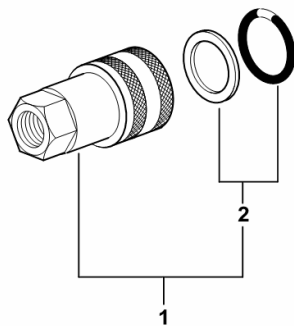
Fig.	Code	QTY	Name
1	0.010.5447.0/10	8	ballast 22 Kg
2	0.011.5549.0	1	pin 32x384
3	0.011.5554.0	1	tube
4	2.0112.331.2	2	screw m 10 p.1.5x110
5	2.1019.136.2	2	nut m 10



9_78552_40_0_0

ENGAGEMENT

Fig.	Code	QTY	Name
1	0.98308.50.3/10	1	coupling
2	04438079	1	seal ring kit



0_98308_50_3_10

Section: BODY WORK
DEFLECTORS AND SUPPORTS

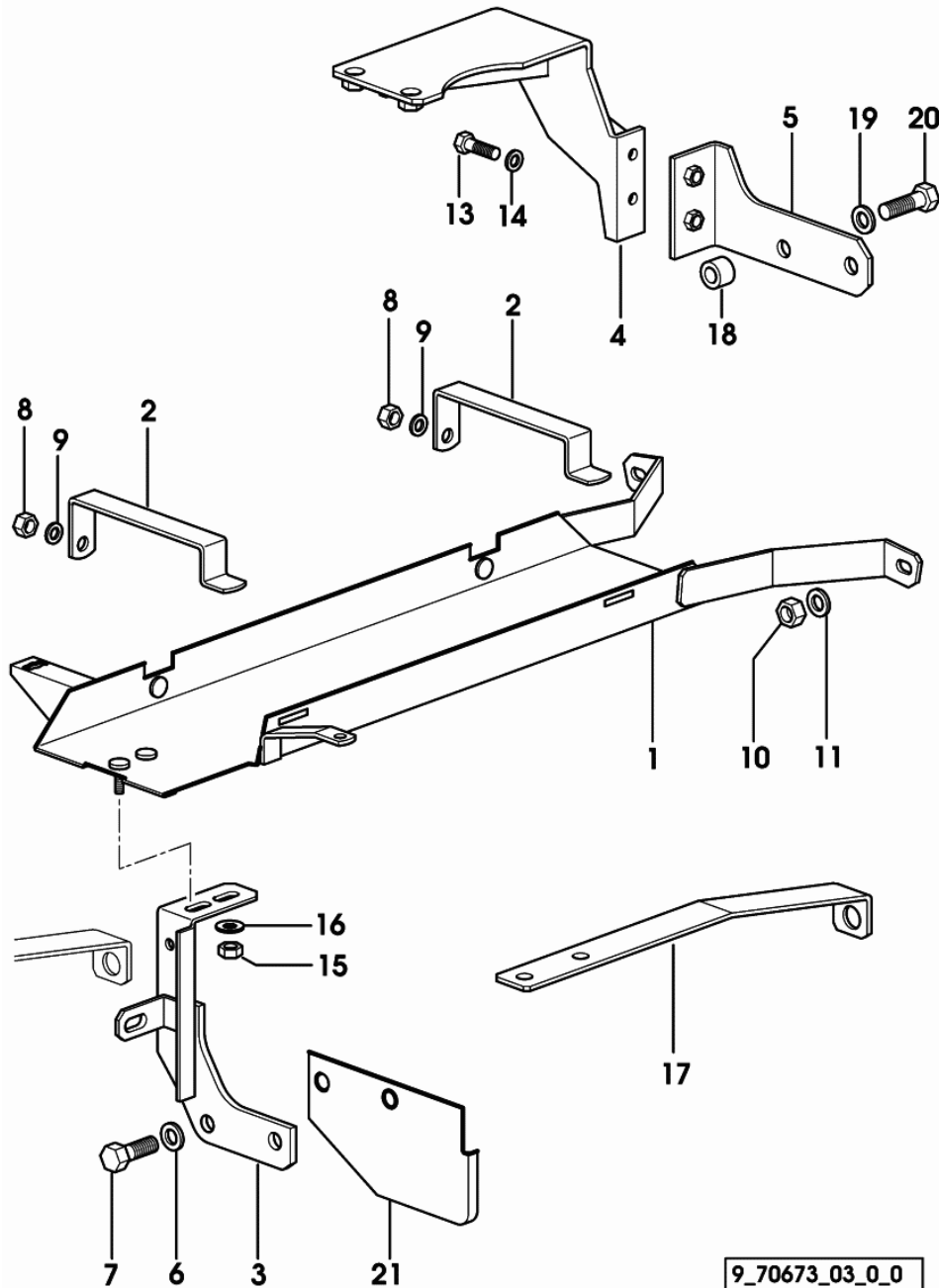
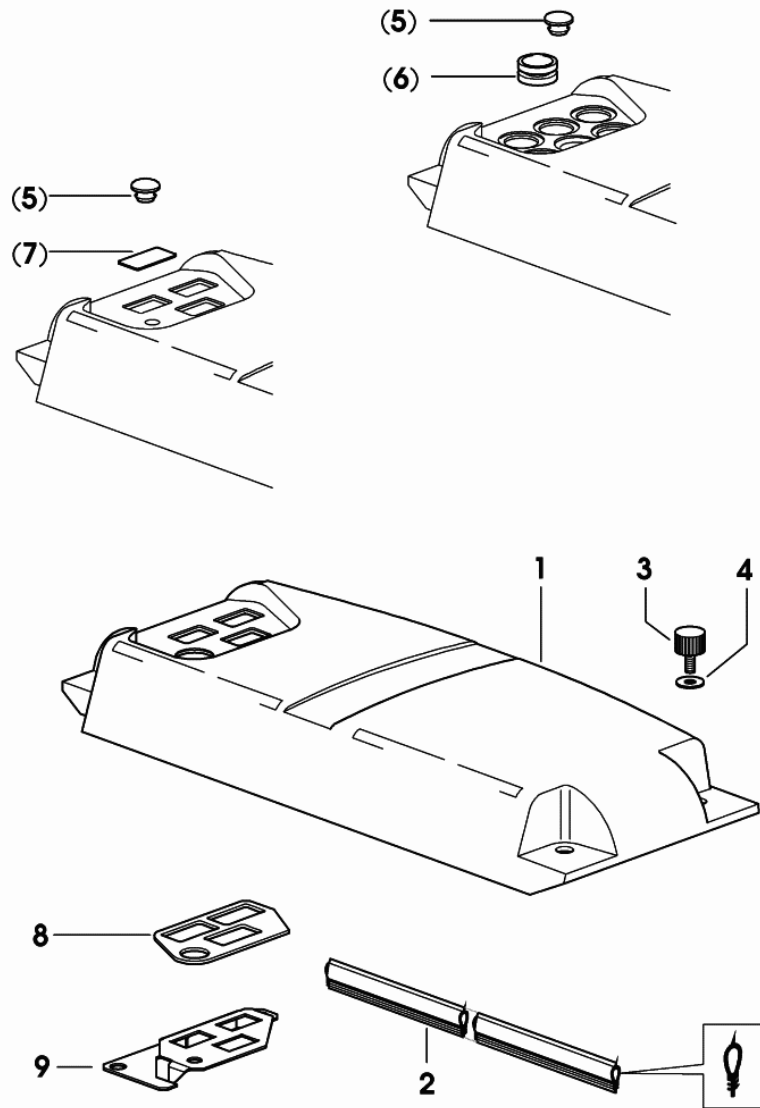


Fig.	Code	QTY	Name
1	0.010.8265.3/10	1	channel
2	0.010.8268.0/20	2	bracket
3	0.010.8266.2/10	1	bracket
4	0.010.8231.3	1	support
5	0.010.8223.3	1	bracket
6	2.1310.006.2	2	flat washer 10.5
7	2.0112.305.2	2	screw m 10 p.1.5 x 16
8	2.1011.103.2	4	nut m 6 p.1
9	2.1310.002.2	4	washer 6.6, d125
10	2.1011.103.2	2	nut m 6 p.1
11	2.1310.002.2	2	washer 6.6, d125
13	2.0112.005.2	2	screw m 6 p.1 x 16
14	2.1310.002.2	2	washer 6.6, d125
15	2.1011.103.2	2	nut m 6 p.1
16	2.1310.002.2	2	washer 6.6, d125
17	0.010.8269.0	1	square
18	2.1579.104.2	2	spacer 11x20x10.5
19	2.1470.006.2	2	lock washer 10
20	2.0112.309.2	2	screw m 10 p.1.5 x 25
21	0.010.9700.0	1	plate

9_70673_03_0_0

Section: BODY WORK
BATTERY COVER

Fig.	Code	QTY	Name
9	0.013.0016.2/10	1	-> 1096 X AgroCompact F90 support



9_70573_04_0_0

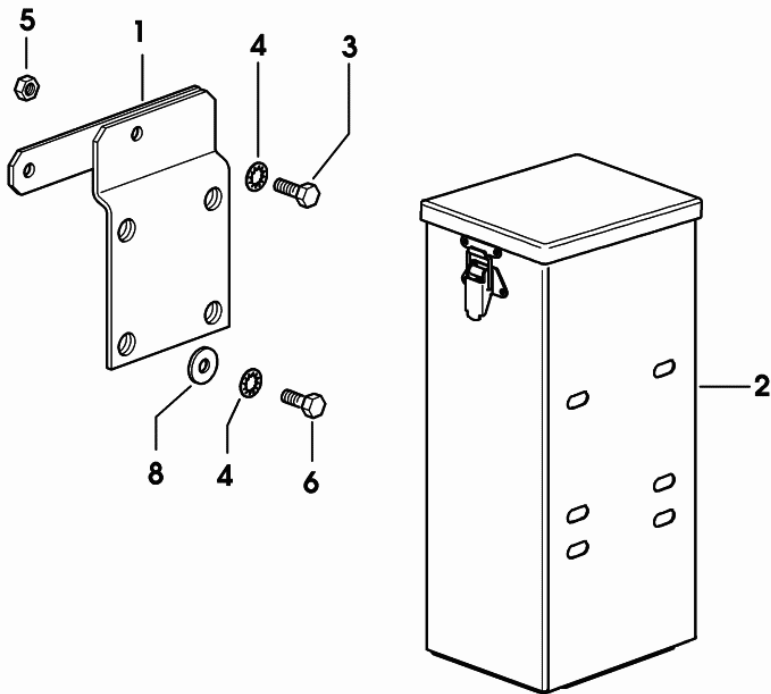
Section: BODY WORK
METAL TOOLBOX

Fig.	Code	QTY	Name
------	------	-----	------

Notes:

-> 1023 X AgroCompact F60 -> 1006 X AgroCompact 70F3 -> 1027 X AgroCompact 70F4 -> 1027 X AgroCompact F80 -> 1010 X AgroCompact F90

1	0.011.0928.3	1	spacer
2	0.467.7317.3/70	1	metal toolbox
3	2.0112.208.2	2	screw m 8 p.1.25 x 22
4	2.1470.004.2	4	washer 8
5	2.1011.105.2	2	nut m 8 p.1.25
6	2.0132.006.2	4	screw m 8 p.1.25 x 20
8	2.1312.004.2	2	washer 8.4



9_70273_06_0_0

100

Section: BODY WORK
SPEED LABEL MPH

Fig.	Code	QTY	Name
------	------	-----	------

100	0.000.0000.1	0	not serviceable
100.12	2.9929.774.0	1	plate 4 x MINI x 2, 18 MPH
100.13	2.9929.775.0	1	plate 4 x MINI x 3, 18 MPH
100.14	2.9929.776.0	1	plate 4 x HML x 3, 18 MPH
100.15	2.9929.777.0	1	plate 4 x MINI x 2, 25 MPH
100.16	2.9929.778.0	1	plate 4 x MINI x 3, 25 MPH
100.17	2.9929.779.0	1	plate 5 x MINI x 2, 25 MPH
100.18	2.9929.780.0	1	plate 5 x MINI x 3, 25 MPH
100.19	2.9929.781.0	1	plate 5 x HML x 3, 25 MPH
100.20	2.9929.782.0	1	plate 5 x MINI x 2, 25 MPH
100.21	2.9929.783.0	1	plate 5 x MINI x 3, 25 MPH
100.22	2.9929.784.0	1	plate 5 x HML x 3, 25 MPH
100.24	2.9929.812.0	1	plate 4 x HML x 3, 25 MPH

100.12

ENGINE	1400	1800	1967	2200	rpm
1L	344	454	551	646	604
2L	333	438	531	626	581
3L	338	438	531	626	581
4L	338	438	531	626	581
5L	338	438	531	626	581
6L	338	438	531	626	581
7L	338	438	531	626	581
8L	338	438	531	626	581
9L	338	438	531	626	581
10L	338	438	531	626	581
11L	338	438	531	626	581
12L	338	438	531	626	581
13L	338	438	531	626	581
14L	338	438	531	626	581
15L	338	438	531	626	581
16L	338	438	531	626	581
17L	338	438	531	626	581
18L	338	438	531	626	581
19L	338	438	531	626	581
20L	338	438	531	626	581
21L	338	438	531	626	581
22L	338	438	531	626	581
23L	338	438	531	626	581
24L	338	438	531	626	581
25L	338	438	531	626	581
26L	338	438	531	626	581
27L	338	438	531	626	581
28L	338	438	531	626	581
29L	338	438	531	626	581
30L	338	438	531	626	581
31L	338	438	531	626	581
32L	338	438	531	626	581
33L	338	438	531	626	581
34L	338	438	531	626	581
35L	338	438	531	626	581
36L	338	438	531	626	581
37L	338	438	531	626	581
38L	338	438	531	626	581
39L	338	438	531	626	581
40L	338	438	531	626	581
41L	338	438	531	626	581
42L	338	438	531	626	581
43L	338	438	531	626	581
44L	338	438	531	626	581
45L	338	438	531	626	581
46L	338	438	531	626	581
47L	338	438	531	626	581
48L	338	438	531	626	581
49L	338	438	531	626	581
50L	338	438	531	626	581
51L	338	438	531	626	581
52L	338	438	531	626	581
53L	338	438	531	626	581
54L	338	438	531	626	581
55L	338	438	531	626	581
56L	338	438	531	626	581
57L	338	438	531	626	581
58L	338	438	531	626	581
59L	338	438	531	626	581
60L	338	438	531	626	581
61L	338	438	531	626	581
62L	338	438	531	626	581
63L	338	438	531	626	581
64L	338	438	531	626	581
65L	338	438	531	626	581
66L	338	438	531	626	581
67L	338	438	531	626	581
68L	338	438	531	626	581
69L	338	438	531	626	581
70L	338	438	531	626	581
71L	338	438	531	626	581
72L	338	438	531	626	581
73L	338	438	531	626	581
74L	338	438	531	626	581
75L	338	438	531	626	581
76L	338	438	531	626	581
77L	338	438	531	626	581
78L	338	438	531	626	581
79L	338	438	531	626	581
80L	338	438	531	626	581
81L	338	438	531	626	581
82L	338	438	531	626	581
83L	338	438	531	626	581
84L	338	438	531	626	581
85L	338	438	531	626	581
86L	338	438	531	626	581
87L	338	438	531	626	581
88L	338	438	531	626	581
89L	338	438	531	626	581
90L	338	438	531	626	581
91L	338	438	531	626	581
92L	338	438	531	626	581
93L	338	438	531	626	581
94L	338	438	531	626	581
95L	338	438	531	626	581
96L	338	438	531	626	581
97L	338	438	531	626	581
98L	338	438	531	626	581
99L	338	438	531	626	581
100L	338	438	531	626	581
101L	338	438	531	626	581
102L	338	438	531	626	581
103L	338	438	531	626	581
104L	338	438	531	626	581
105L	338	438	531	626	581
106L	338	438	531	626	581
107L	338	438	531	626	581
108L	338	438	531	626	581
109L	338	438	531	626	581
110L	338	438	531	626	581
111L	338	438	531	626	581
112L	338	438	531	626	581
113L	338	438	531	626	581
114L	338	438	531	626	581
115L	338	438	531	626	581
116L	338	438	531	626	581
117L	338	438	531	626	581
118L	338	438	531	626	581
119L	338	438	531	626	581
120L	338	438	531	626	581
121L	338	438	531	626	581
122L	338	438	531	626	581
123L	338	438	531	626	581
124L	338	438	531	626	581
125L	338	438	531	626	581
126L	338	438	531	626	581
127L	338	438	531	626	581
128L	338	438	531	626	581
129L	338	438	531	626	581
130L	338	438	531	626	581
131L	338	438	531	626	581
132L	338	438	531	626	581
133L	338	438	531	626	581
134L	338	438	531	626	581
135L	338	438	531	626	581
136L	338	438	531	626	581
137L	338	438	531	626	581
138L	338	438	531	626	581
139L	338	438	531	626	581
140L	338	438	531	626	581
141L	338	438	531	626	581
142L	338	438	531	626	581
143L	338	438	531	626	581
144L	338	438	531	626	581
145L	338	438	531	626	581
146L	338	438	531	626	581
147L	338	438	531	626	581
148L	338	438	531	626	581
149L	338	438	531	626	581
150L	338	438	531	626	581
151L	338	438	531	626	581
152L	338	438	531	626	581
153L	338	438	531	626	581
154L	338	438	531	626	581
155L	338	438	531	626	581
156L	338	438	531	626	581
157L	338	438	531	626	581
158L	338	438	531	626	581
159L	338	438	531	626	581
160L	338	438	531	626	581
161L	338	438	531	626	581
162L	338	438	531	626	581
163L	338	438	531	626	581
164L	338	438	531	626	581
165L	338	438	531	626	581
166L	338	438	531	626	581
167L	338	438	531	626	581
168L	338	438	531	626	581
169L	338	438	531	626	581
170L	338	438	531	626	581
171L	338	438	531	626	581
172L	338	438	531	626	581
173L	338	438	531	626	581
174L	338	438	531	626	581
175L	338	438	531	626	581
176L	338	438	531	626	581
177L	338	438	531	626	581
178L	338	438	531	626	581
179L	338	438	531	626	581
180L	338	438	531	626	581
181L	338	438	531	626	581
182L	338	438</			

Section: BODY WORK
THROTTLE - MECHANICAL -

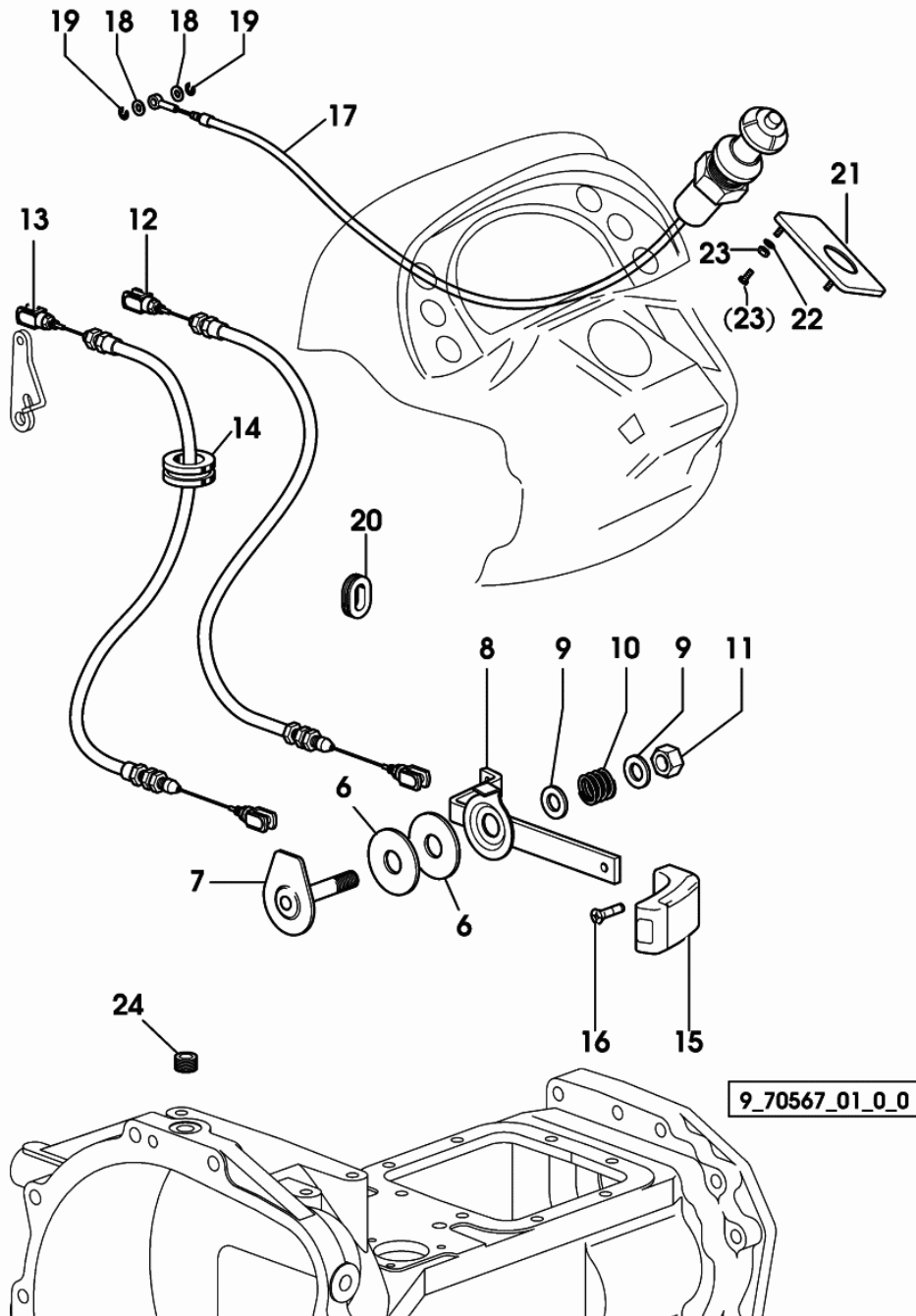


Fig.	Code	QTY	Name
23	2.1011.101.2	4	1061 <- X AgroCompact F90 nut m 4 p.0.7 -> 1105 X AgroCompact F60 -> 1022 X AgroCompact 70F3 -> 1155 X AgroCompact 70F4 -> 1165 X AgroCompact F80 -> 1062 X AgroCompact F90
24	2.3131.003.2	1	plug m 16 p.1.5

Section: BODY WORK
FRONT MUDGUARDS mm 265 - 310

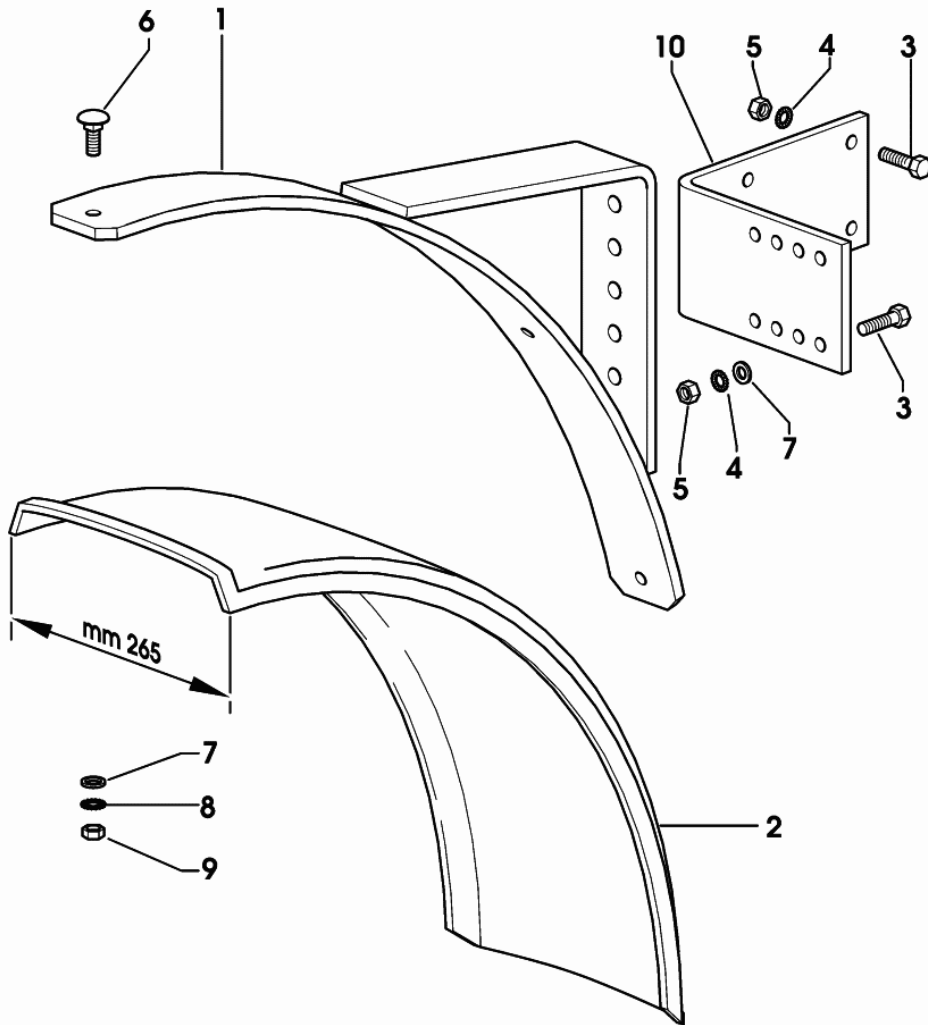


Fig.	Code	QTY	Name
------	------	-----	------

Notes:

1172 <- X AgroCompact 70F4 1226 <- X AgroCompact F80 1109 <- X AgroCompact F90

1	0.010.4685.2	2	chassis frame 1009 <- X AgroCompact 70F4 1006 <- X AgroCompact F80 1003 <- X AgroCompact F90
1	0.010.4685.2/10	2	chassis frame -> 1010 X AgroCompact 70F4 -> 1007 X AgroCompact F80 -> 1004 X AgroCompact F90
2	0.163.7632.5/10	2	fender mm 310 1009 <- X AgroCompact 70F4 1006 <- X AgroCompact F80 1003 <- X AgroCompact F90
2	0.158.7662.0/10	2	fender mm 265 -> 1010 X AgroCompact 70F4 -> 1007 X AgroCompact F80 -> 1004 X AgroCompact F90
3	2.0112.211.2	14	screw m 8 p.1.25 x 30
4	2.1470.004.2	14	washer 8
5	2.1011.105.2	14	nut m 8 p.1.25
6	2.0029.503.6	10	screw m 8 x 25
7	2.1312.004.2	10	washer 8.4
8	2.1470.004.2	10	washer 8
9	2.1011.105.2	10	nut m 8 p.1.25
10	0.010.4684.0	2	bracket 1009 <- X AgroCompact 70F4 1006 <- X AgroCompact F80 1003 <- X AgroCompact F90
10	0.010.4684.0/10	2	bracket -> 1010 X AgroCompact 70F4 -> 1007 X AgroCompact F80 -> 1004 X AgroCompact F90

9_70576_16_0_0

Section: BODY WORK

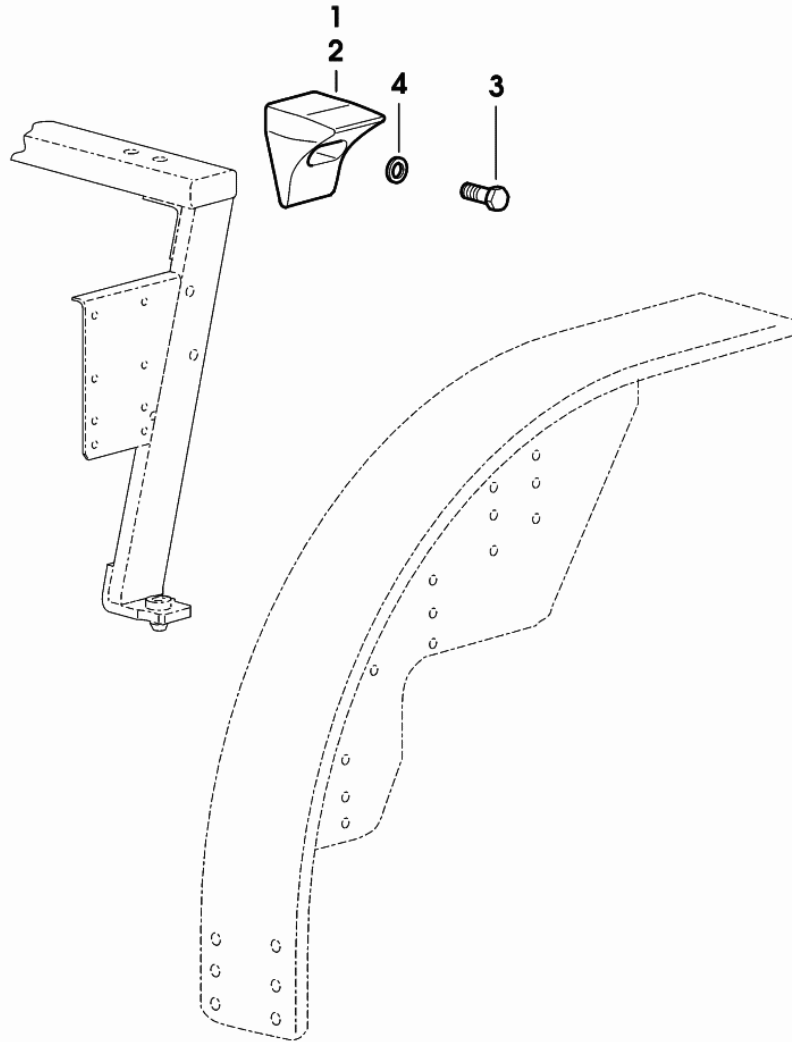
GUARD

Fig.	Code	QTY	Name
------	------	-----	------

Notes:

(...) <- X AgroCompact F60 (...) <- X AgroCompact 70F3 (...) <- X AgroCompact 70F4 (...) <- X AgroCompact F80 (...) <- X AgroCompact F90

1	0.010.9587.0	1	splash-guards dx/rh/re
2	0.010.9588.0	1	splash-guards sx/lh/li
3	2.0332.406.2	4	screw m 6 p.1.0 x 16
4	2.1310.002.2	4	washer 6.6, d125

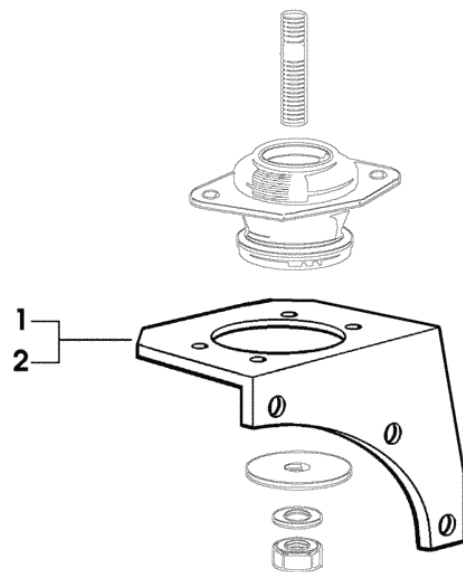


9_79076_05_0_0

Section: BODY WORK

PLATTFORM: SUPPORTS

Fig.	Code	QTY	Name
1	0.010.4760.0/10	1	bracket dx/rh/re
2	0.010.4763.0/10	1	bracket sx/lh/li



9_72576_01_0_0

Section: BODY WORK

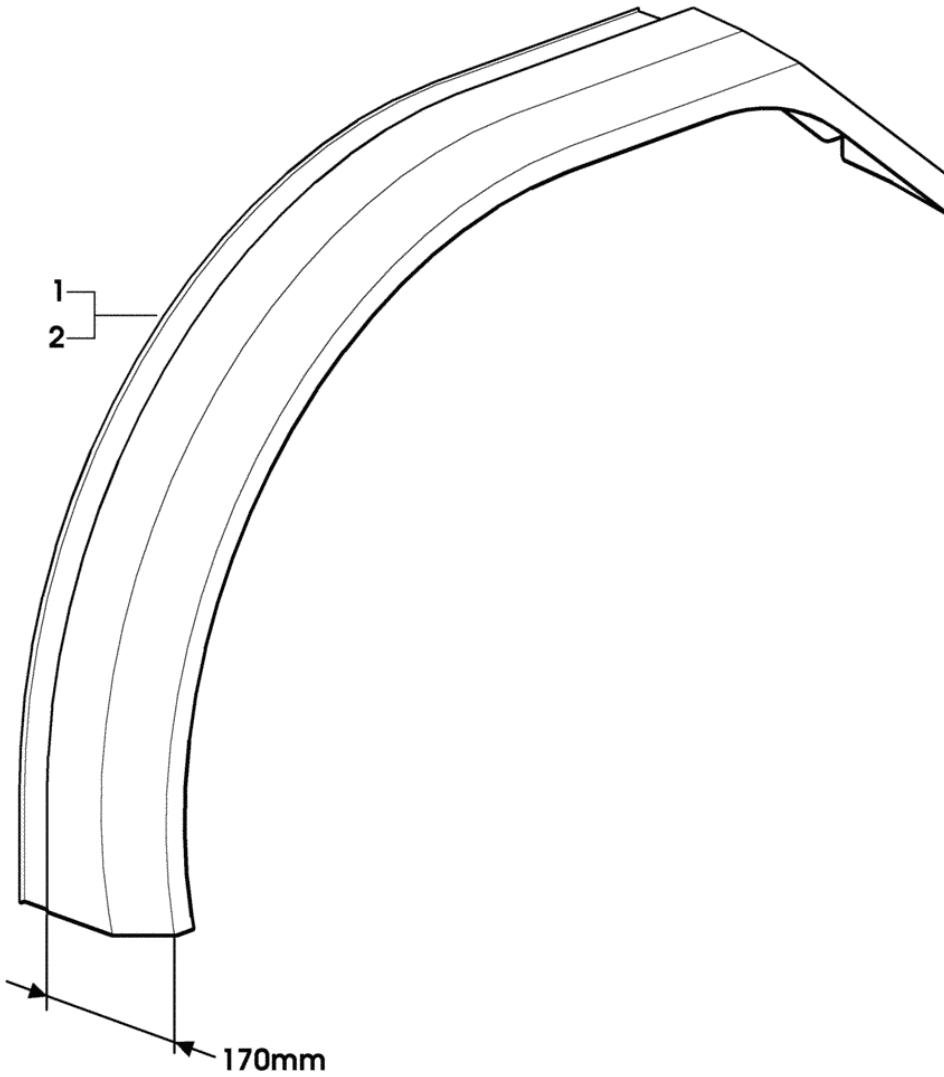
MUDGUARDS EXTENSIONS mm 170

Fig.	Code	QTY	Name
------	------	-----	------

Notes:

-> 1151 X AgroCompact 70F4 -> 1152 X AgroCompact F80 -> 1057 X AgroCompact F90

1	0.012.1656.0/10	1	extension dx/rh/re
2	0.012.1658.0/10	1	extension sx/lh/li



9_21076_25_0_0

Section: BODY WORK

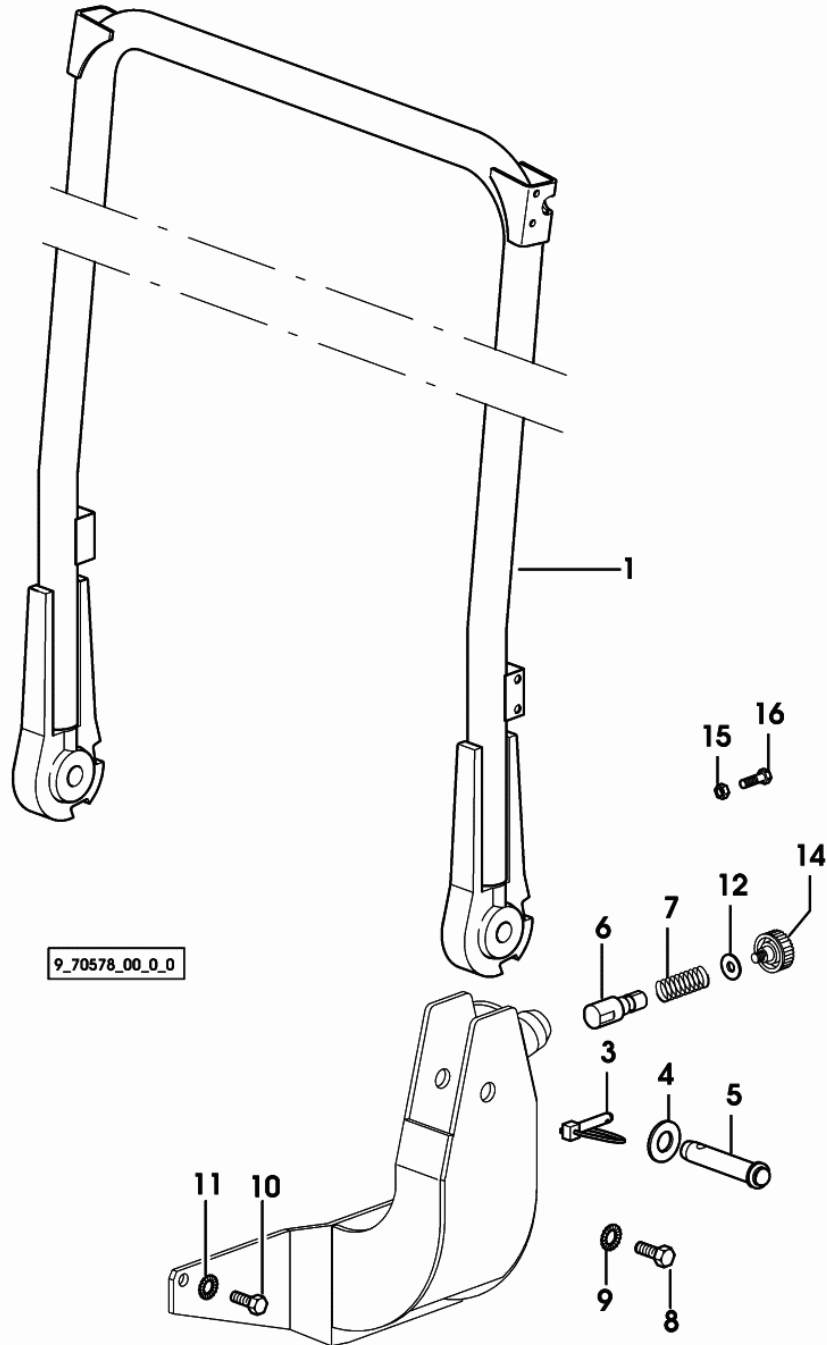
SAFETY ARCH

Fig.	Code	QTY	Name
------	------	-----	------

Notes:

1124 <- X AgroCompact F60 1025 <- X AgroCompact 70F3 1172 <- X AgroCompact 70F4 1226 <- X AgroCompact F80 1109 <- X AgroCompact F90

1	0.010.4120.3/40	1	safety frame
3	0.010.9322.4	2	pin Ø 11
4	2.1310.016.2	2	washer 26x52
5	0.007.3708.0	2	pin
6	0.010.4122.0/20	2	pin
7	2.4019.302.1/10	2	spring 28.3x45.3x1.8
8	2.0112.613.2	6	screw m 16 p.2x35
9	2.1475.006.2	6	washer 16
10	2.0122.513.2	2	screw m 14 p.1.5x35
11	2.1475.005.7	2	washer 14
12	2.1599.529.0	2	washer 12.5x32x3
14	0.008.2816.2	2	knob
15	2.1011.106.2	2	nut m 10 p.1.5
16	2.0112.311.2	2	screw m 10 p.1.5 x 30



Section: BODY WORK
AUXILIARY TANK

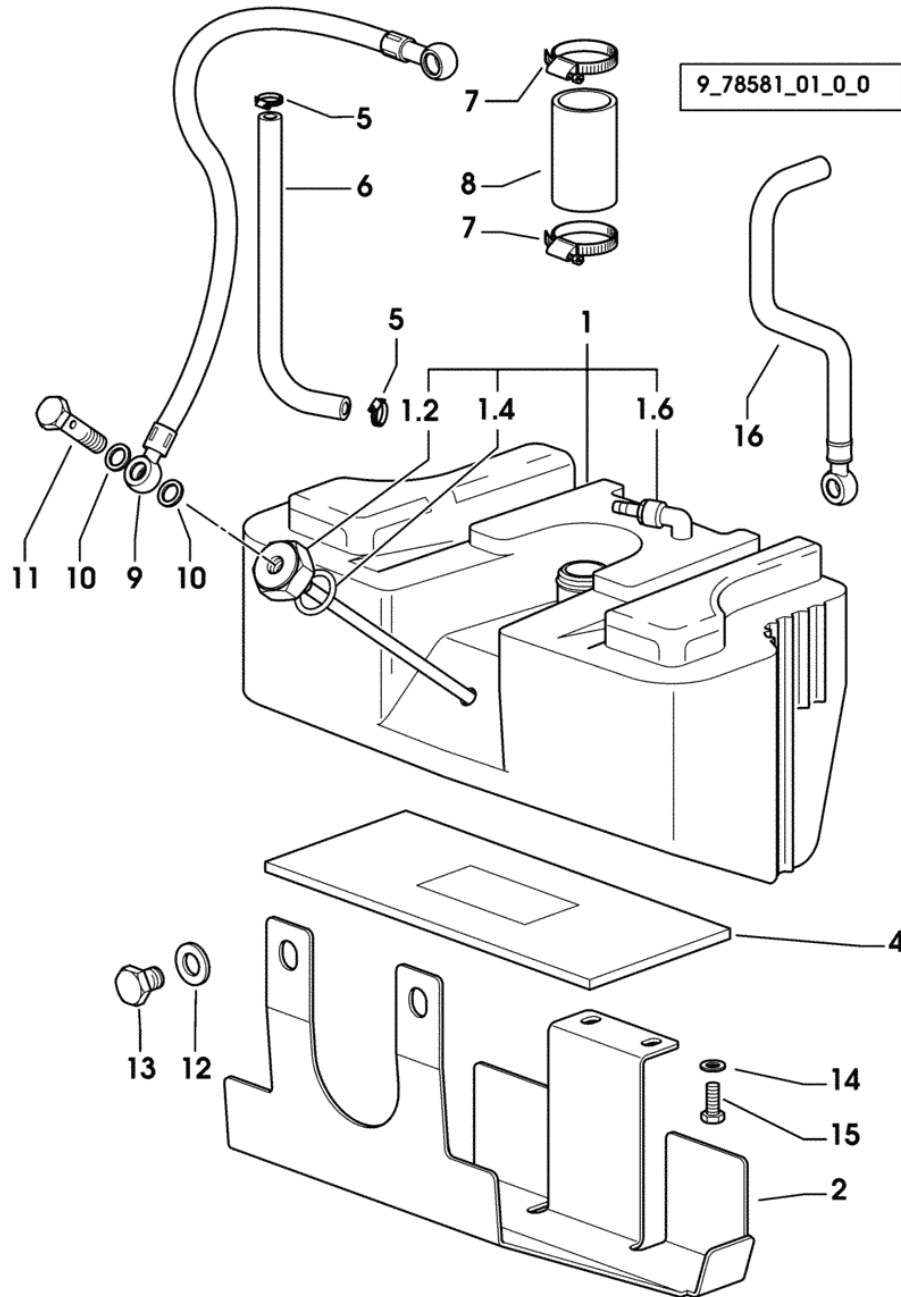


Fig.	Code	QTY	Name
15	2.0112.207.2	2	screw m 8 p 1.25 x 20
16	0.007.1474.3/10	1	tube -> 1081 X AgroCompact F60 -> 1018 X AgroCompact 70F3 -> 1102 X AgroCompact 70F4 -> 1115 X AgroCompact F80 -> 1038 X AgroCompact F90

FUEL SYSTEM - TANK - NARROW TYPE 2wd

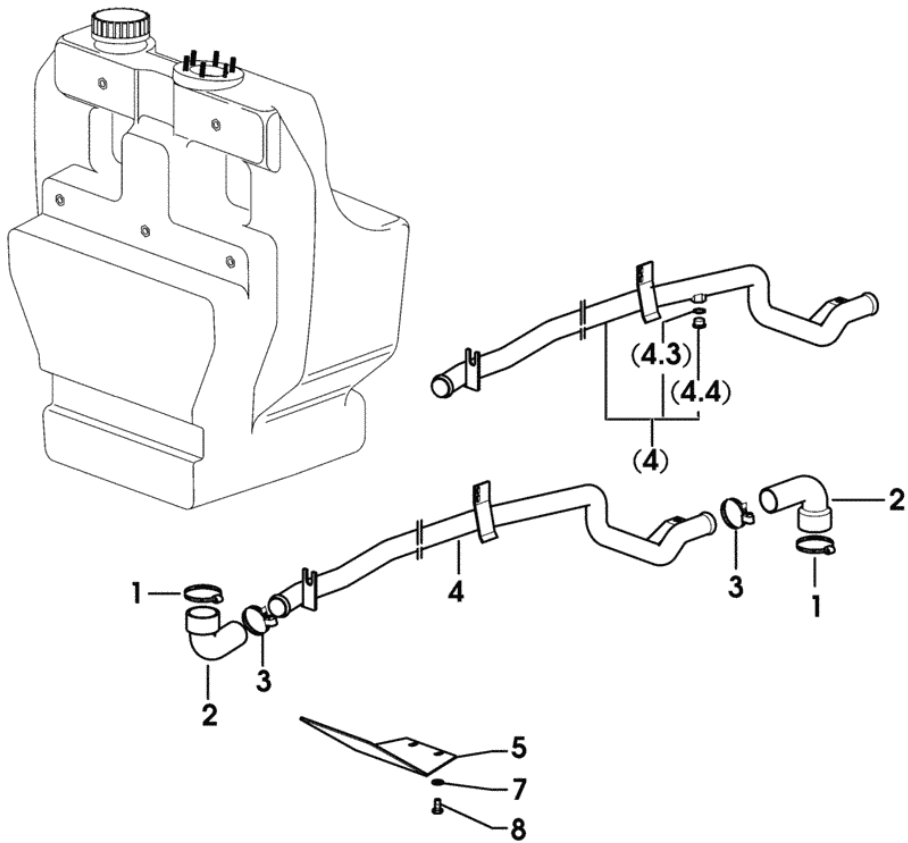


Fig.	Code	QTY	Name
1	2.6850.008.0	2	clamp 25-47
2	0.011.8222.0/10	2	sleeve
3	2.6850.008.0	2	clamp 25-47
4	0.011.8790.3/10	1	tube 1141 <- X AgroCompact 70F4 1144 <- X AgroCompact F80 1051 <- X AgroCompact F90
4	0.011.8790.3/20	1	tube -> 1142 X AgroCompact 70F4 -> 1145 X AgroCompact F80 -> 1052 X AgroCompact F90
4.3	2.1560.012.0	1	gasket 16.2 x 22 x 1.5
4.4	2.3120.010.4	1	plug m 16 p.1.5
5	0.011.9060.0	1	shield
7	2.1310.004.2	2	flat washer 8.5
8	2.0112.205.2	2	screw m 8 p.1.25 x 16

DRIVER'S SEAT PNEUMATIC SPRINGING - IN GREY MATERIAL GRAMMER

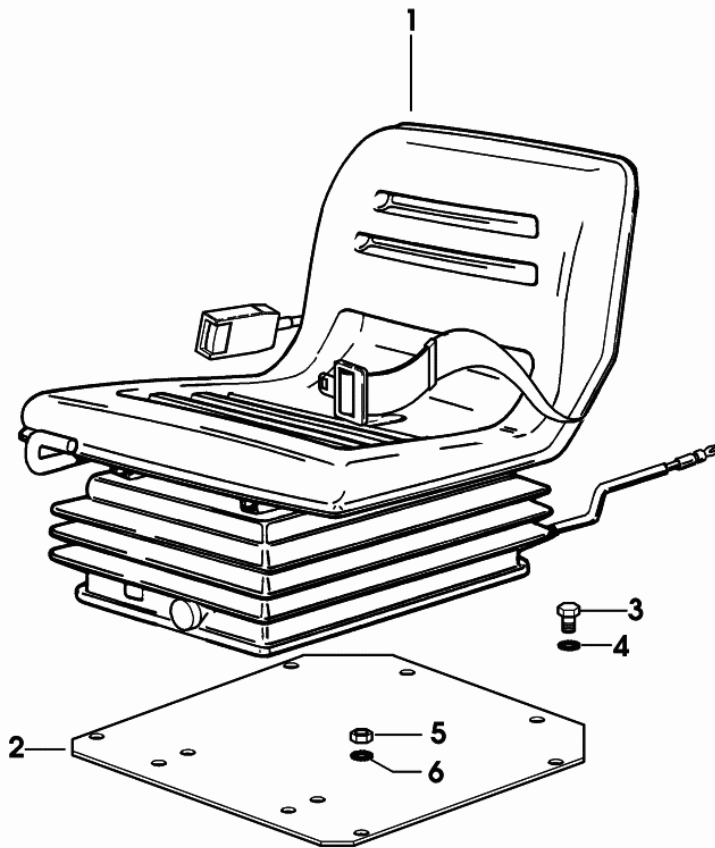
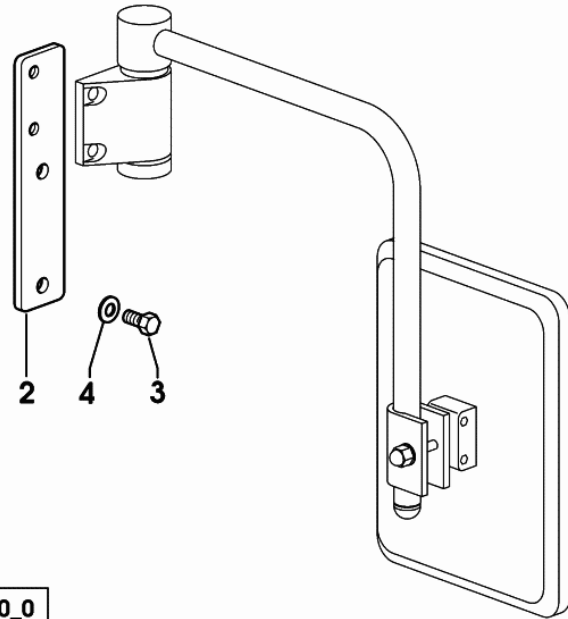


Fig.	Code	QTY	Name
1	0.011.2161.4	1	sprung seat 1146 <- X AgroCompact F60 1041 <- X AgroCompact 70F3 1230 <- X AgroCompact 70F4 1328 <- X AgroCom ☞ 0.011.2161.4 ☞ 0.011.2161.4 ☞ 07.00.62 ☞ 07.00.61
1	0.011.2161.4/10	1	sprung seat -> 1147 X AgroCompact F60 -> 1042 X AgroCompact 70F3 -> 1231 X AgroCompact 70F4 -> 1329 X AgroCom ☞ 0.011.2161.4/10 ☞ 0.011.2161.4/10 ☞ 07.00.64 ☞ 07.00.63
2	0.010.9410.0	1	plate
3	2.0112.203.2	4	screw m 8 p.1.25 x 12
4	2.1470.004.2	4	washer 8
5	2.1011.105.2	4	nut m 8 p.1.25
6	2.1470.004.2	4	washer 8

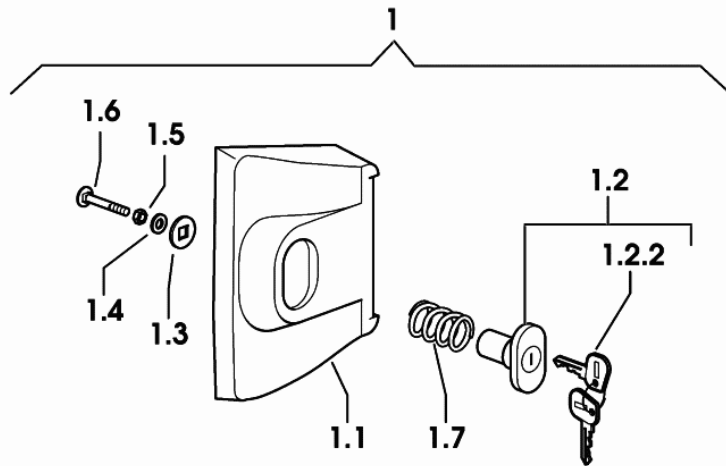
9_70575_03_0_0

DOOR HANDLE AND REARVIEW MIRROR SUPPORT BRACKET



9_78571_26_0_0

Fig.	Code	QTY	Name
1	0.000.0000.1	0	not serviceable
1.1	0.010.6101.2	1	handle
1.2	0.008.2765.4	1	push-button
1.2.2	2.7439.013.2	1	key
1.3	2.1599.488.2	1	washer 21x2
1.4	2.1481.005.2	1	washer 6, d128
1.5	2.1011.102.2	1	nut m 5 p.0.7
1.6	2.0020.008.2	1	screw m 5 x 35
1.7	0.008.2774.0	1	spring
2	0.011.4104.0	2	small plate
3	2.0112.209.2	4	screw m 8 p 1.25 x 25
4	2.1310.004.2	4	flat washer 8.5



Section: CAB

GLASSES AND SEALS

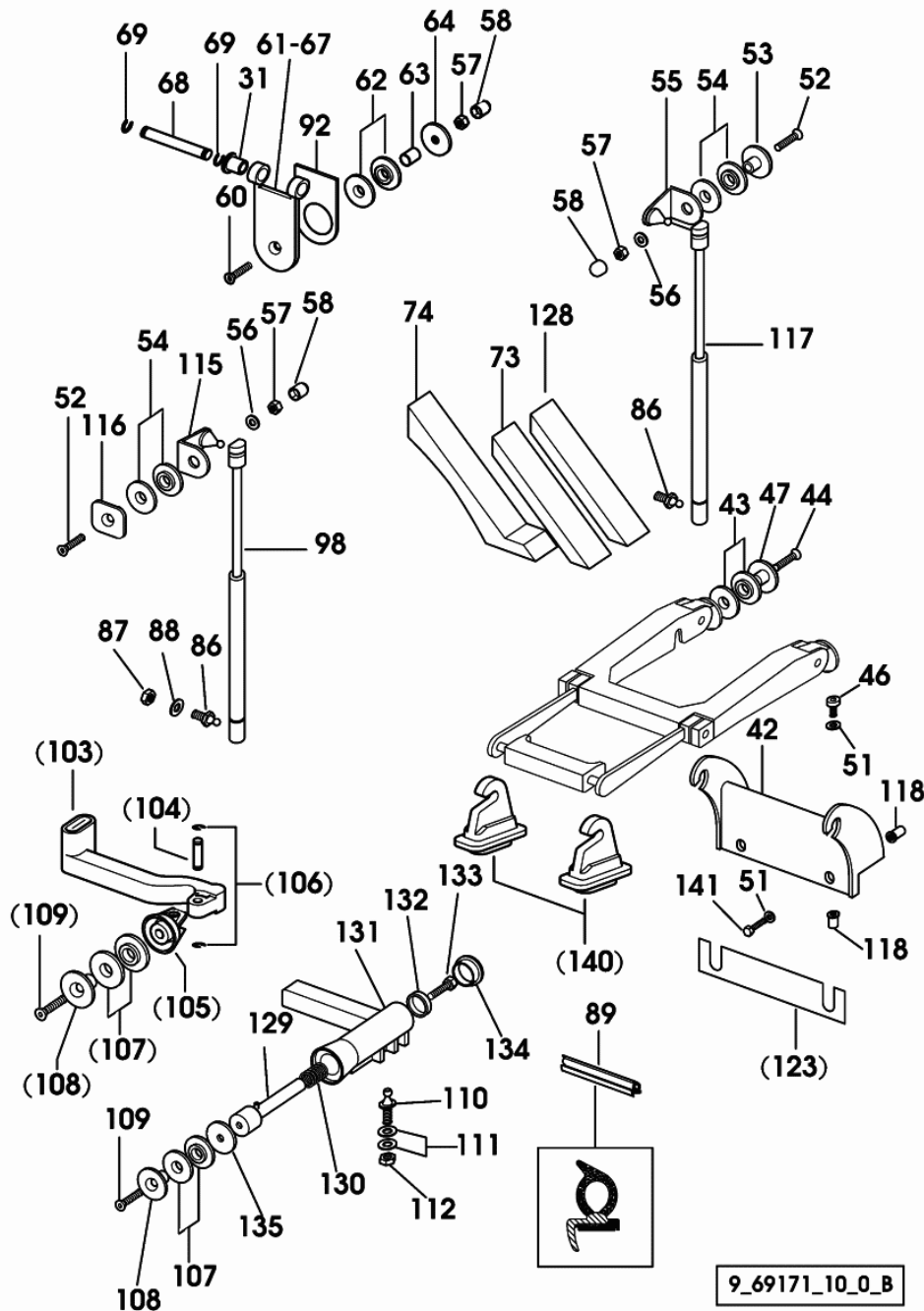
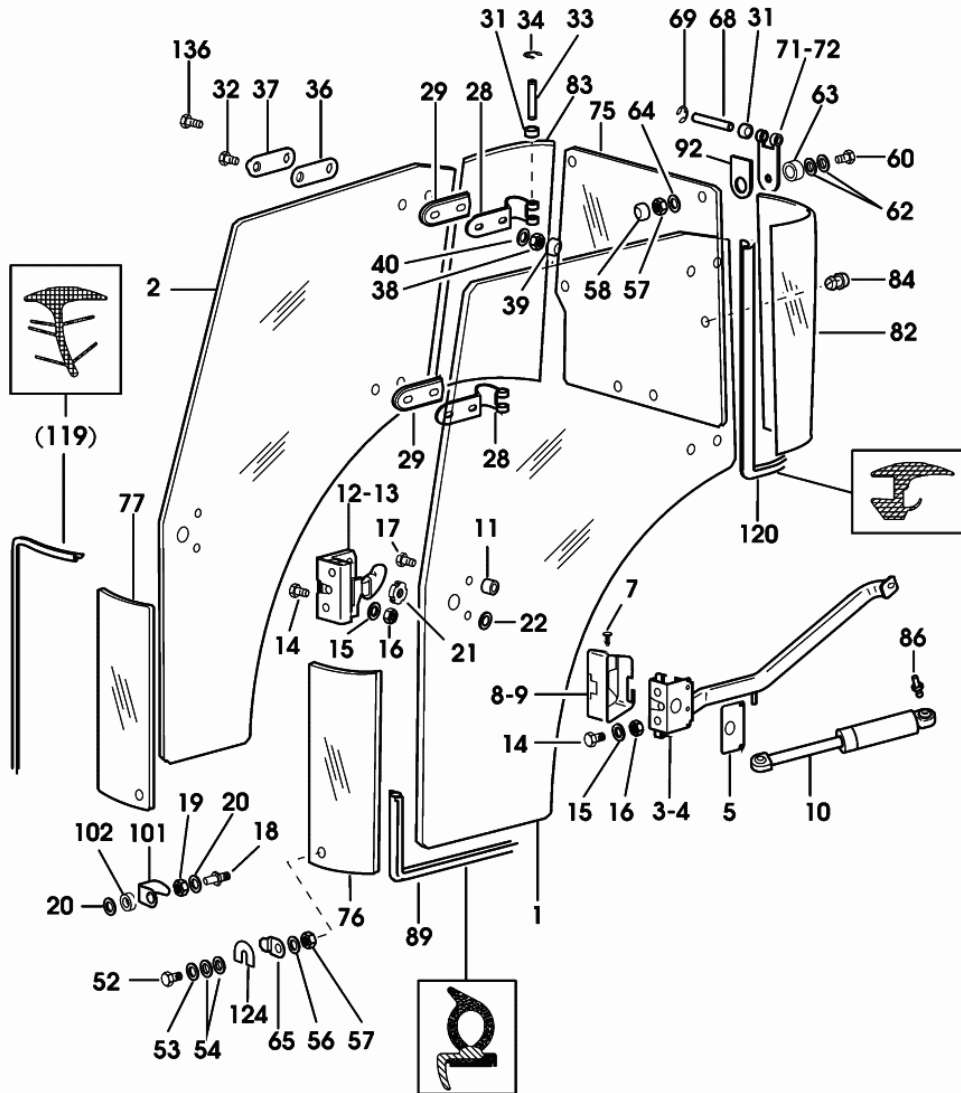


Fig.	Code	QTY	Name
140	0.011.0195.2/10	2	-> 1015 X AgroCompact F90 clevis 1070 <- X AgroCompact F60 1016 <- X AgroCompact 70F3 1080 <- X AgroCompact 70F4 1093 <- X AgroCompact F80 1034 <- X AgroCompact F90
141	2.0112.005.2	2	screw m 6 p.1 x 16 -> 1065 X AgroCompact F60 -> 1016 X AgroCompact 70F3 -> 1080 X AgroCompact 70F4 -> 1085 X AgroCompact F80 -> 1030 X AgroCompact F90

Section: CAB
GLASSES AND SEALS



9_70571_10_0_A

Fig.	Code	QTY	Name
77	0.010.7091.0/10	1	glass dx/rh/re 1064 <- X AgroCompact F60 1015 <- X AgroCompact 70F3 1079 <- X AgroCompact 70F4 1084 <- X AgroCompact F80 1033 <- X AgroCompact F90
77	0.010.7091.0/30	1	glass dx/rh/re -> 1065 X AgroCompact F60 -> 1016 X AgroCompact 70F3 -> 1080 X AgroCompact 70F4 -> 1085 X AgroCompact F80 -> 1034 X AgroCompact F90
82	0.010.7092.0/10	1	glass sx/lh/li 1067 <- X AgroCompact F60 1015 <- X AgroCompact 70F3 1076 <- X AgroCompact 70F4 1086 <- X AgroCompact F80 1032 <- X AgroCompact F90
82	0.010.7092.0/20	1	glass sx/lh/li -> 1068 X AgroCompact F60 -> 1016 X AgroCompact 70F3 -> 1077 X AgroCompact 70F4 -> 1087 X AgroCompact F80 -> 1033 X AgroCompact F90
83	0.010.7093.0/10	1	glass dx/rh/re 1067 <- X AgroCompact F60 1015 <- X AgroCompact 70F3 1076 <- X AgroCompact 70F4 1086 <- X AgroCompact F80 1032 <- X AgroCompact F90
83	0.010.7093.0/20	1	glass dx/rh/re -> 1068 X AgroCompact F60 -> 1016 X AgroCompact 70F3 -> 1077 X AgroCompact 70F4 -> 1087 X AgroCompact F80 -> 1033 X AgroCompact F90
84	0.008.8063.0	8	spacer
86	0.009.8760.0	6	ball joint 1064 <- X AgroCompact F60 1015 <- X AgroCompact 70F3 1079 <- X AgroCompact 70F4 1084 <- X AgroCompact F80 1029 <- X AgroCompact F90
86	04399070	5	ball joint

Section: CAB

GLASSES AND SEALS

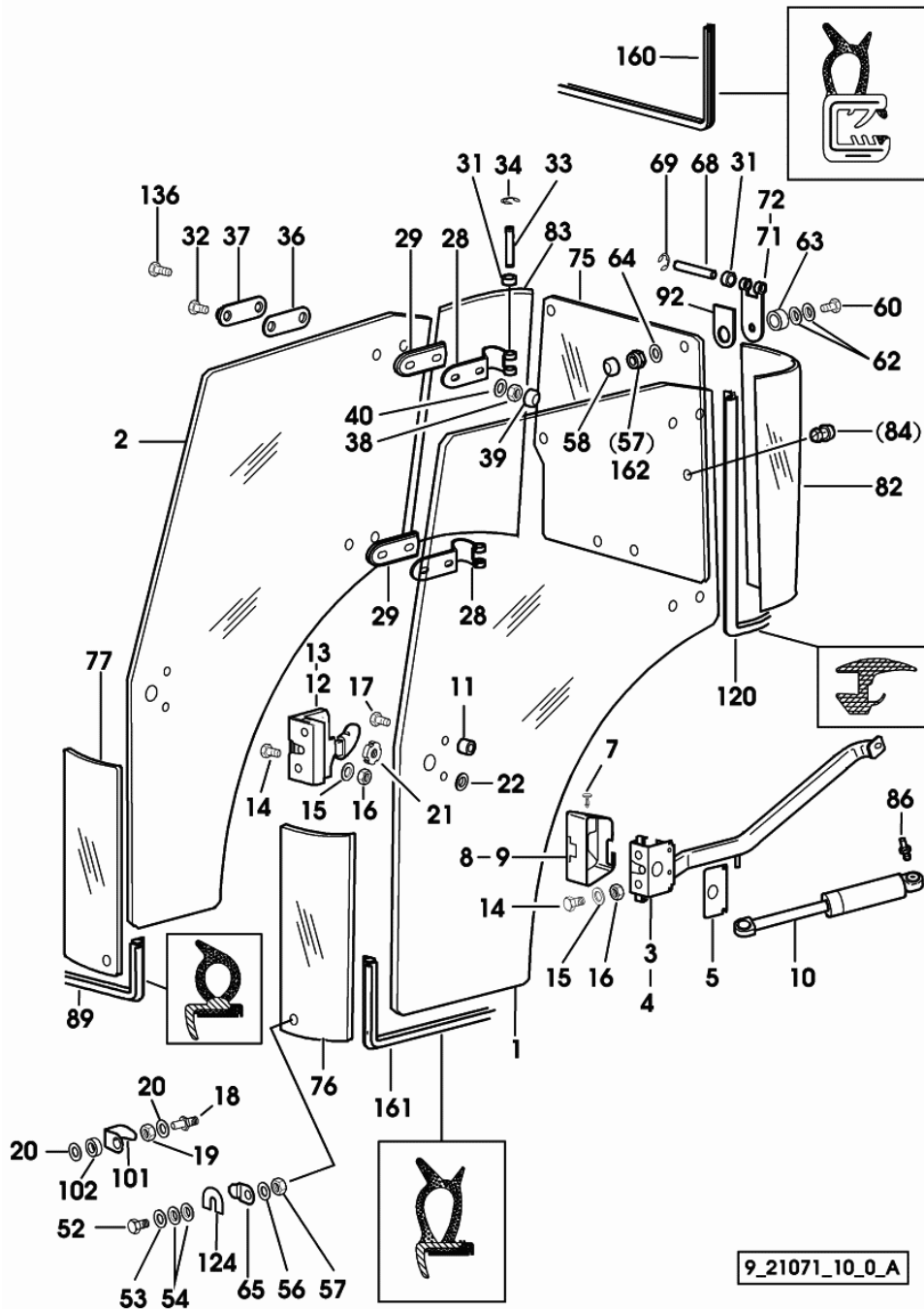
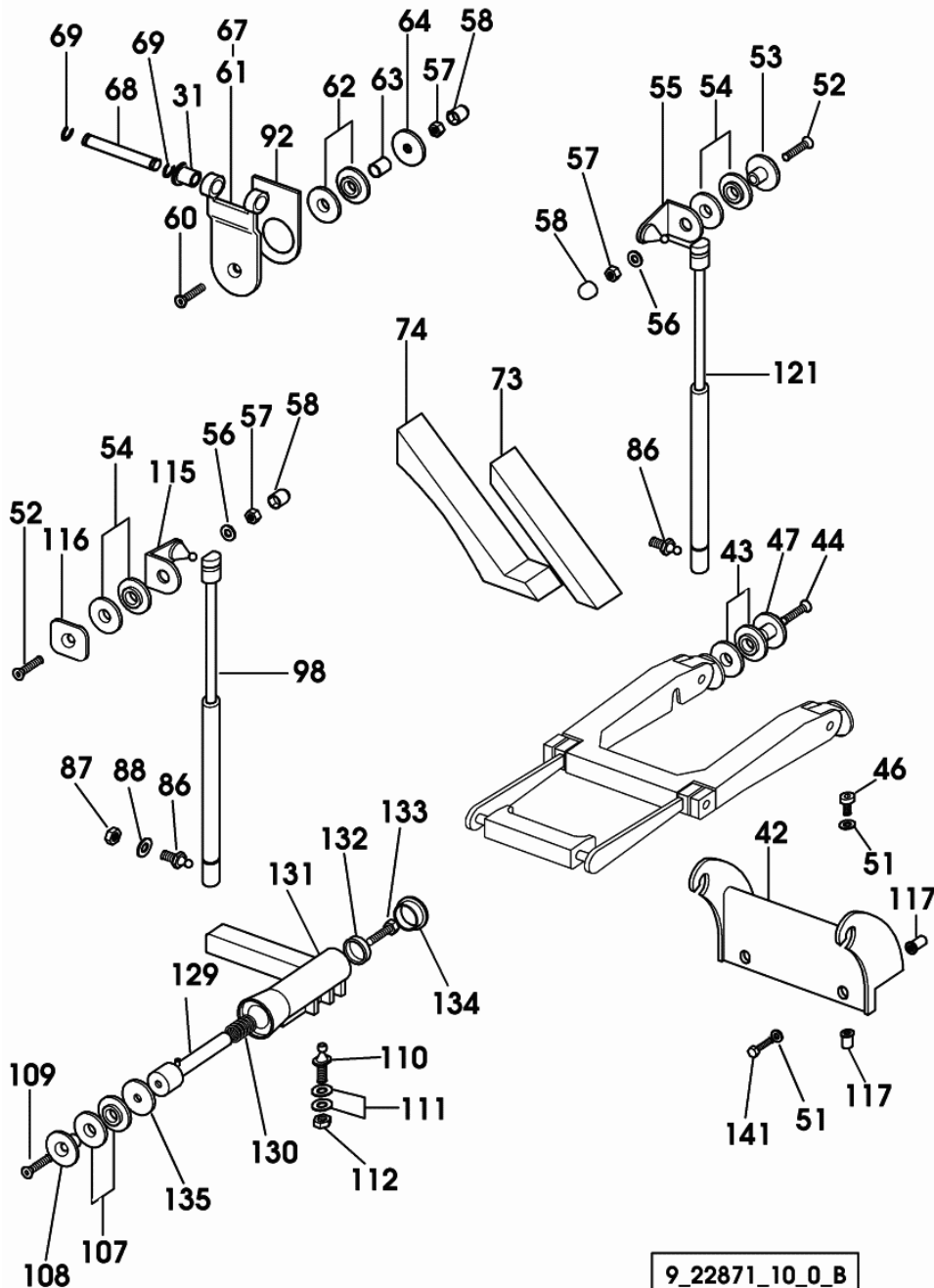


Fig.	Code	QTY	Name
69	2.1410.001.1	8	circlip 10
71	0.010.7085.2/10	1	hinge sx/lh/li
72	0.010.7086.2/10	1	hinge dx/rh/re
75	0.012.5729.0	1	rear window
76	0.010.7090.0/30	1	glass sx/lh/li
77	0.010.7091.0/30	1	glass dx/rh/re
82	0.010.7092.0/20	1	glass sx/lh/li
83	0.010.7093.0/20	1	glass dx/rh/re
86	04399070	5	ball joint
89	0.010.7094.0	0	gasket
92	0.012.5731.0/10	4	gasket
101	0.010.7267.0/10	2	guard
102	2.1599.789.2	2	spacer 11 x 22 x 6.0
120	0.011.7614.0	2	gasket
124	0.011.2800.0	2	shim
136	2.0342.308.3	6	screw m 8 p.1.25 x 30
160	04419141	0	gasket
161	0.012.5726.0	0	gasket
162	2.1120.105.2	4	selflock nut m 8 p.1.25

-> 1142 X AgroCompact F60
 -> 1042 X AgroCompact 70F3
 -> 1215 X AgroCompact 70F4
 -> 1293 X AgroCompact F80
 -> 1161 X AgroCompact F90

Section: CAB

GLASSES AND SEALS - FOR 28" NARROW PLATFORM

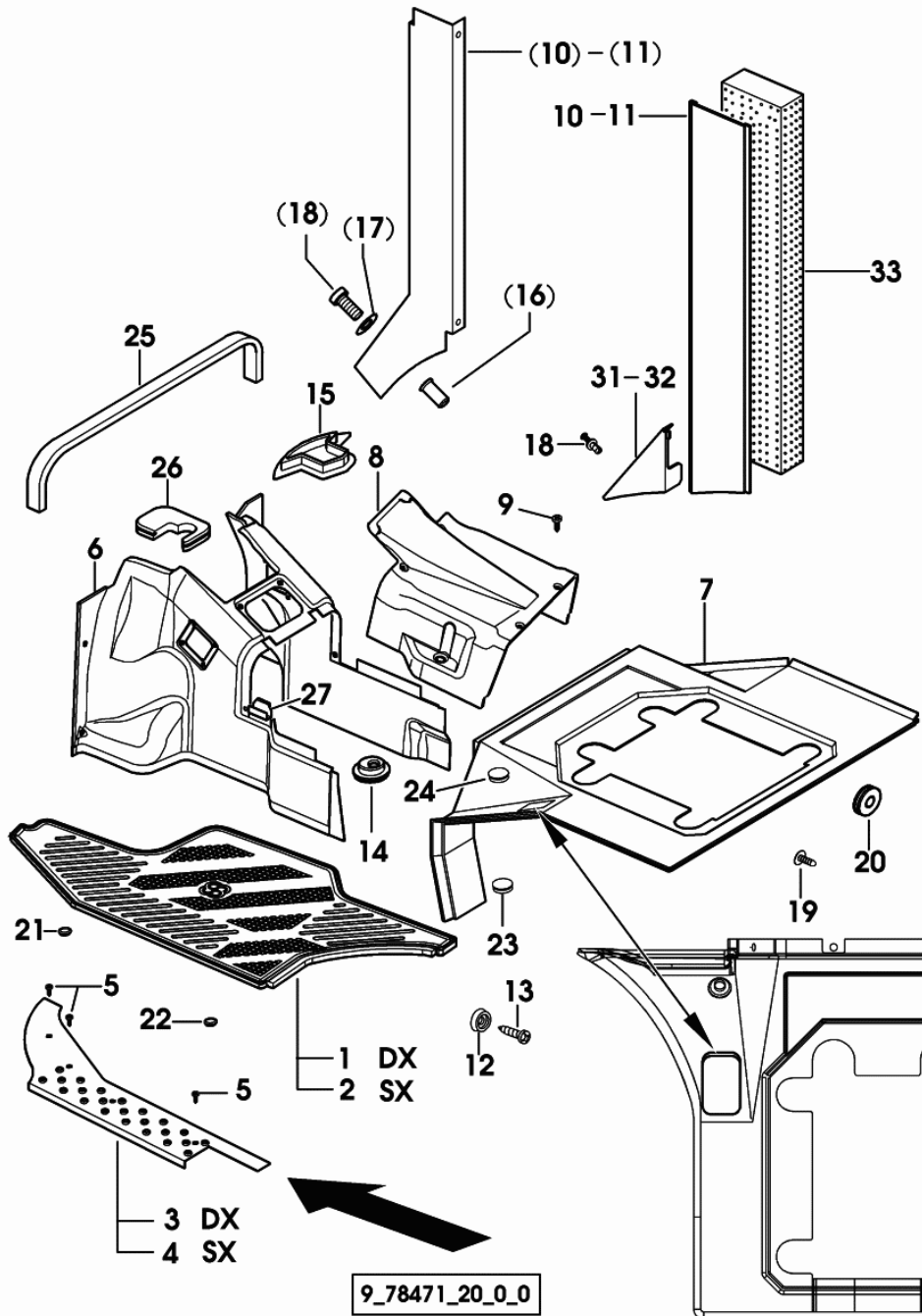


9_22871_10_0_B

Fig.	Code	QTY	Name
134	0.009.0210.0/10	1	plug 30 x 38 x 9.0
135	2.1599.495.2	1	washer 8.5
141	2.0112.005.2	2	screw m 6.p.1 x 16

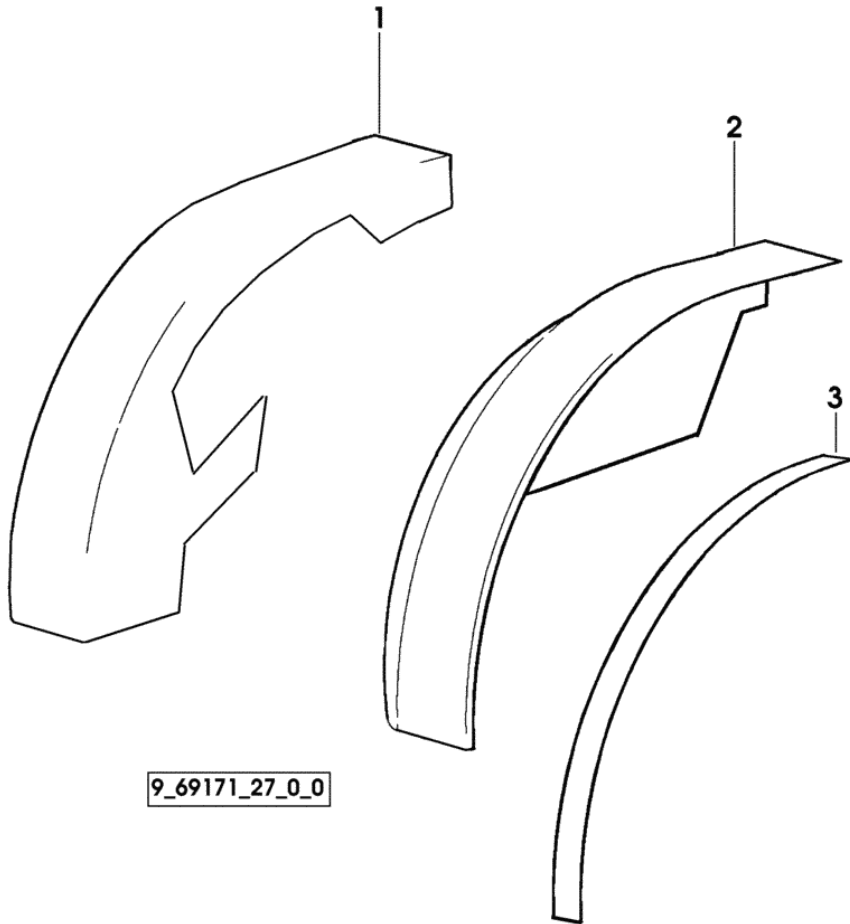
Section: CAB
CAB INTERIOR TRIM - 20"

Fig.	Code	QTY	Name
13	2.0350.504.3	9	-> 1057 X AgroCompact F90 screw m 4.8x13B
			1099 <- X AgroCompact F60
			1021 <- X AgroCompact 70F3
			1148 <- X AgroCompact 70F4
			1152 <- X AgroCompact F80
			1056 <- X AgroCompact F90
13	2.0350.504.3	1	screw m 4.8x13B
			-> 1100 X AgroCompact F60
			-> 1022 X AgroCompact 70F3
			-> 1149 X AgroCompact 70F4
			-> 1153 X AgroCompact F80
			-> 1057 X AgroCompact F90
14	0.011.3396.0	1	boot
15	0.011.0597.0/10	2	plug Ø 34.4
16	2.1142.010.2	1	insert m 6
			1099 <- X AgroCompact F60
			1021 <- X AgroCompact 70F3
			1148 <- X AgroCompact 70F4
			1152 <- X AgroCompact F80
			1056 <- X AgroCompact F90
17	2.1310.002.3	1	flat washer 6.4 x 12 x 1.6
			1099 <- X AgroCompact F60
			1021 <- X AgroCompact 70F3
			1148 <- X AgroCompact 70F4
			1152 <- X AgroCompact F80
			1056 <- X AgroCompact F90
18	2.0332.406.3	1	screw m 6 p.1.0 x 16
			1099 <- X AgroCompact F60
			1021 <- X AgroCompact 70F3
			1148 <- X AgroCompact 70F4
			1152 <- X AgroCompact F80
			1056 <- X AgroCompact F90
18	2.1899.050.0/10	1	plug
			-> 1100 X AgroCompact F60
			-> 1022 X AgroCompact 70F3
			-> 1149 X AgroCompact 70F4
			-> 1153 X AgroCompact F80
			-> 1057 X AgroCompact F90
19	2.1899.084.0	2	button 8 x 19
20	2.6569.035.0/10	1	wire guide 15x30x10
21	2.3199.163.0	3	plug 10x6
22	0.178.7455.0	1	plug Ø 12
23	0.9200.178.0	2	plug Ø 17



Section: CAB
INTERIOR TRIM

Fig.	Code	QTY	Name
1	0.010.9509.0/10	1	lining dx/rh/re
2	0.010.9510.0/10	1	lining sx/lh/li
3	0.010.1198.0	2	adhesive mm 4500



Section: CAB

ROOF

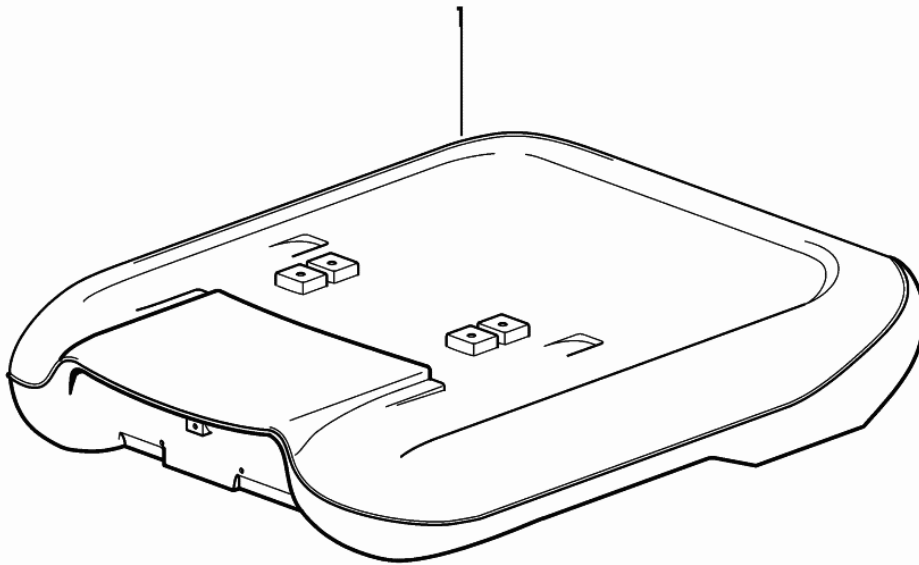


Fig.	Code	QTY	Name
1	0.010.7108.2/50	1	roof 1110 <- X AgroCompact F60 1022 <- X AgroCompact 70F3 1163 <- X AgroCompact 70F4 1188 <- X AgroCompact F80 1068 <- X AgroCompact F90
1	0.012.9365.2	1	roof -> 1111 - 1123 <- X AgroCompact F60 -> 1023 - 1023 <- X AgroCompact 70F3 -> 1164 - 1171 <- X AgroCompact 70F4 -> 1189 - 1214 <- X AgroCompact F80 -> 1069 - 1105 <- X AgroCompact F90
1	0.012.9365.2/20	1	roof -> 1111 X AgroCompact F60 -> 1023 X AgroCompact 70F3 -> 1164 X AgroCompact 70F4 -> 1189 X AgroCompact F80 -> 1069 X AgroCompact F90

9_70571_23_0_0

Section: CAB

WINDSHIELD WIPER SYSTEM

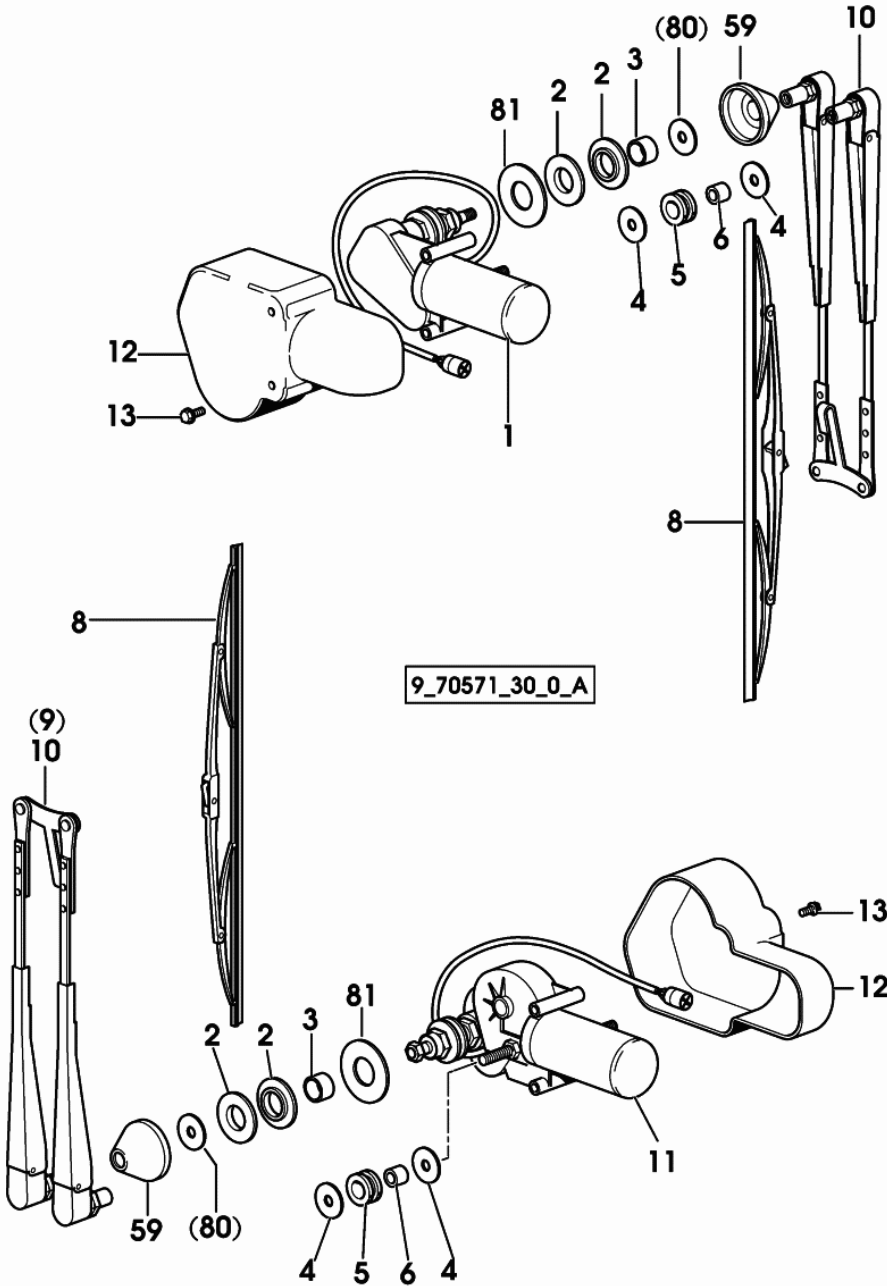


Fig.	Code	QTY	Name
1	2.9019.160.0/10	1	wiper motor - FRONT
2	2.1569.176.0	4	gasket 20x40x6
3	2.1549.329.2	2	spacer 16x20x12.5 1126 <- X AgroCompact F60 1025 <- X AgroCompact 70F3 1172 <- X AgroCompact 70F4 1226 <- X AgroCompact F80 1109 <- X AgroCompact F90
3	2.1549.566.2	2	spacer 16x20x11 -> 1127 X AgroCompact F60 -> 1026 X AgroCompact 70F3 -> 1173 X AgroCompact 70F4 -> 1227 X AgroCompact F80 -> 1110 X AgroCompact F90
4	2.1599.806.3	4	washer 8.5x28x2
5	2.6569.011.0	2	rubber plug
6	2.1579.450.2	2	spacer 8.5 x 14 x 12
8	0.010.9753.3	2	wiper blade
10	0.010.8980.3	2	windscreen wiper
11	2.9019.170.0/10	1	wiper motor - REAR 1064 <- X AgroCompact F60 1015 <- X AgroCompact 70F3 1079 <- X AgroCompact 70F4 1084 <- X
11	2.9019.170.0/20	1	wiper motor - REAR -> 1065 X AgroCompact F60 -> 1016 X AgroCompact 70F3 -> 1080 X AgroCompact 70F4 -> 1085 X
12	0.010.9878.0	2	lining
13	2.0332.405.3	4	screw m 6 p.1 x 14
59	0.010.4983.0	2	rubber plug
80	2.1599.352.2	2	washer 8.5x28x2 1064 <- X AgroCompact F60 1015 <- X AgroCompact 70F3 1079 <- X AgroCompact 70F4 1084 <- X AgroCompact F80 1029 <- X AgroCompact F90
81	2.1599.528.2	2	washer 18x40x2 -> 1056 - 1064 <- X AgroCompact F60 -> 1010 - 1015 <- X AgroCompact 70F3

Section: CAB
VENTILATION - AIR CONDITIONING

9_70586_24_0_0

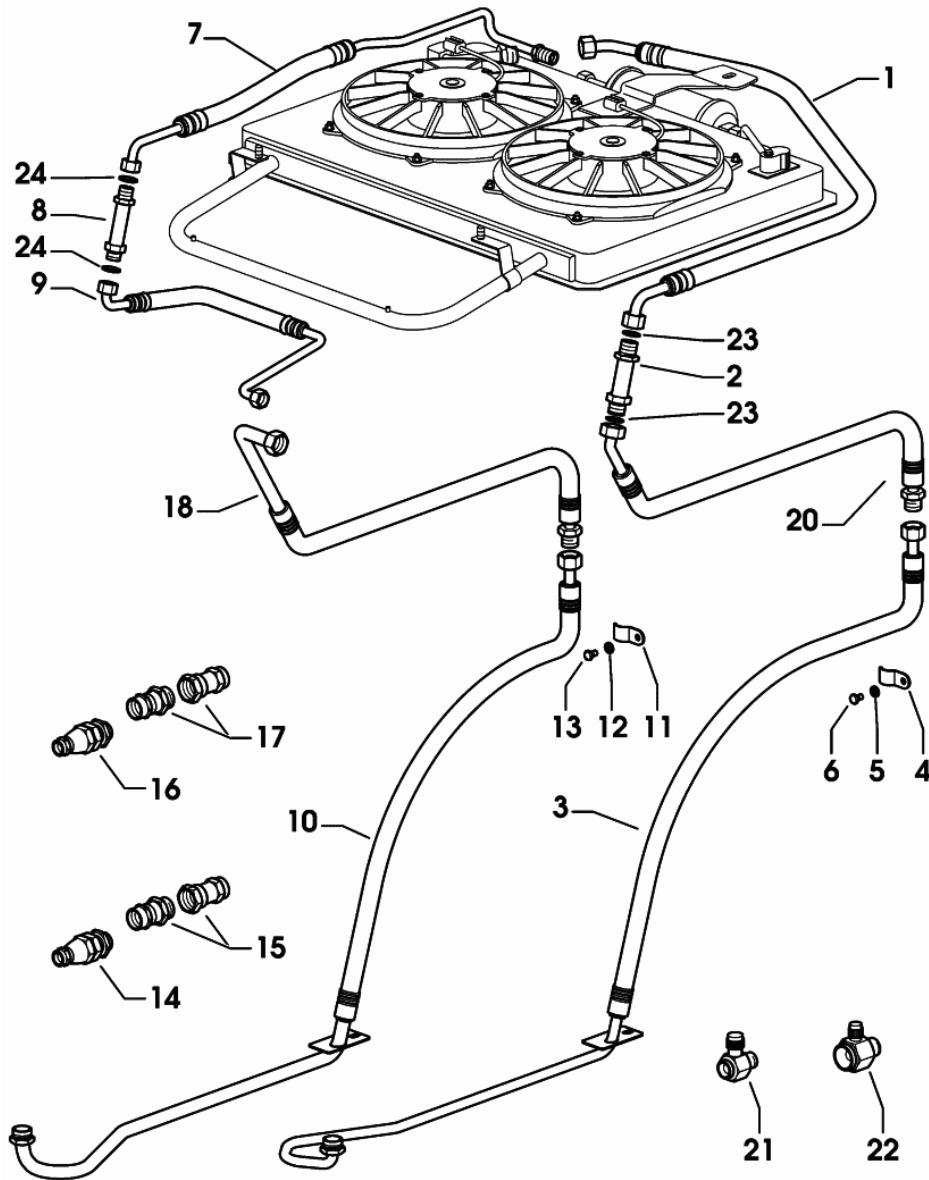
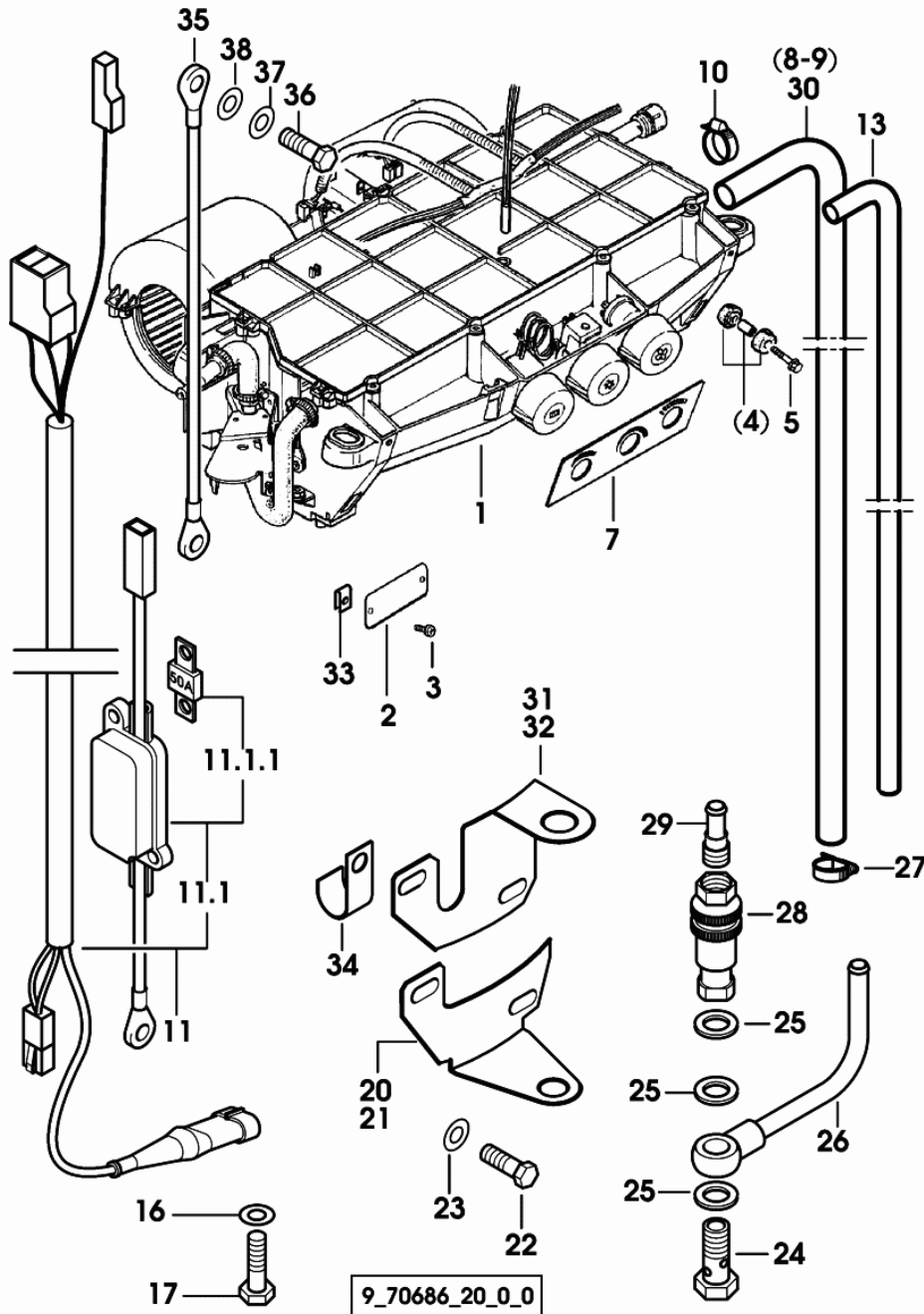


Fig.	Code	QTY	Name
1	0.010.8844.3/10	1	tube 1123 <- X AgroCompact F60 1024 <- X AgroCompact 70F3 1171 <- X AgroCompact 70F4 1217 <- X AgroCompact F80 1108 <- X AgroCompact F90
1	0.010.8844.3/20	1	tube -> 1124 X AgroCompact F60 -> 1025 X AgroCompact 70F3 -> 1172 X AgroCompact 70F4 -> 1218 X AgroCompact F80 -> 1109 X AgroCompact F90
2	2.3339.691.2/20	1	pipe fitting 3/4-16UNF 1005 <- X AgroCompact F60 1009 <- X AgroCompact 70F4 1006 <- X AgroCompact F80 1003 <- X AgroCompact F90
2	2.3339.864.2	1	adapter -> 1006 - 1123 <- X AgroCompact F60 1023 <- X AgroCompact 70F3 -> 1010 - 1171 <- X AgroCompact 70F4 -> 1007 - 1214 <- X AgroCompact F80 -> 1004 - 1105 <- X AgroCompact F90
2	2.3249.058.2	1	pipe fitting -> 1124 X AgroCompact F60 -> 1024 X AgroCompact 70F3 -> 1172 X AgroCompact 70F4 -> 1215 X AgroCompact F80 -> 1106 X AgroCompact F90
3	0.010.9011.3/50	1	tube
4	2.6819.026.2	1	bracket
5	2.1310.002.2	1	washer 6.6, d125
6	2.0112.002.2	1	screw m 6 p.1 x 10
7	0.010.8845.3/10	1	tube 1123 <- X AgroCompact F60 1024 <- X AgroCompact 70F3 1171 <- X AgroCompact 70F4 1217 <- X AgroCompact F80 1108 <- X AgroCompact F90
7	0.010.8845.3/20	1	tube -> 1124 X AgroCompact F60 -> 1025 X AgroCompact 70F3 -> 1172 X AgroCompact 70F4 -> 1218 X AgroCompact F80

VENTILATION - AIR CONDITIONING - HEATING

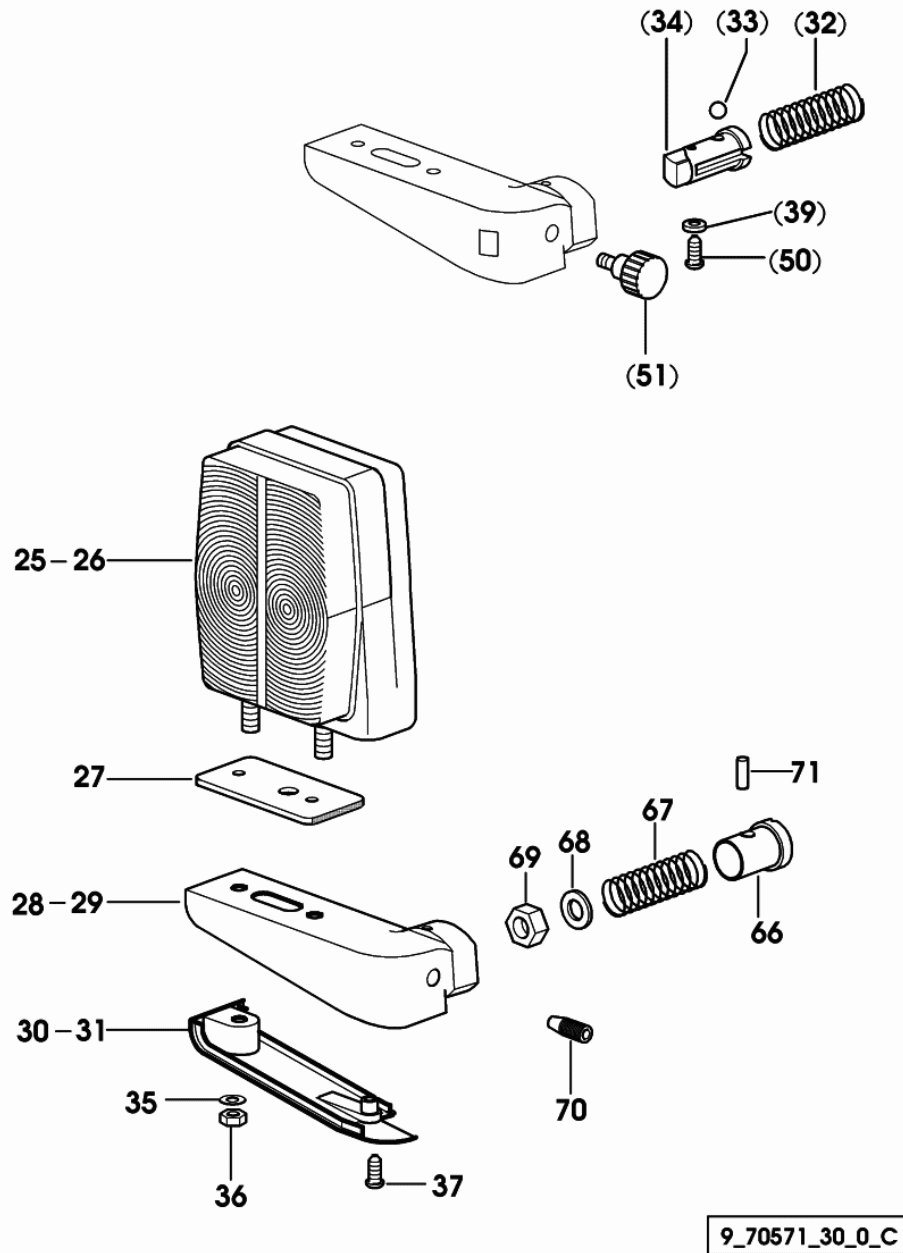
Fig.	Code	QTY	Name
------	------	-----	------

- > 1085 X AgroCompact 70F4
- > (...) X AgroCompact F80
- > (...) X AgroCompact F90



ELECTRIC LIGHTING SYSTEM - WITH CAB

Fig.	Code	QTY	Name
68	2.1499.185.2/10	2	washer 12 x 20 x 3 -> 1065 X AgroCompact F60 -> 1016 X AgroCompact 70F3 -> 1080 X AgroCompact 70F4 -> 1085 X AgroCompact F80 -> 1030 X AgroCompact F90
69	2.1011.206.2	2	nut m 10 p.1.5 -> 1056 - 1064 <- X AgroCompact F60 -> 1010 - 1015 <- X AgroCompact 70F3 -> 1065 - 1079 <- X AgroCompact 70F4 -> 1064 - 1084 <- X AgroCompact F80 -> 1015 - 1029 <- X AgroCompact F90
69	2.1099.150.2	2	special nut m 12 p.1.5 -> 1065 X AgroCompact F60 -> 1016 X AgroCompact 70F3 -> 1080 X AgroCompact 70F4 -> 1085 X AgroCompact F80 -> 1030 X AgroCompact F90
70	2.0532.003.7	4	grain m 5x10 -> 1056 X AgroCompact F60 -> 1010 X AgroCompact 70F3 -> 1065 X AgroCompact 70F4 -> 1064 X AgroCompact F80 -> 1015 X AgroCompact F90
71	2.1655.153.0	2	pin -> 1056 X AgroCompact F60 -> 1010 X AgroCompact 70F3 -> 1065 X AgroCompact 70F4 -> 1064 X AgroCompact F80 -> 1015 X AgroCompact F90



9_70571_30_0_C

CLICK HERE TO **DOWNLOAD** THE COMPLETE MANUAL

- Thank you very much for reading the preview of the manual.
- You can download the complete manual from: www.heydownloads.com by clicking the link below



- Please note: If there is no response to CLICKING the link, please download this PDF first and then click on it.

CLICK HERE TO **DOWNLOAD** THE COMPLETE MANUAL

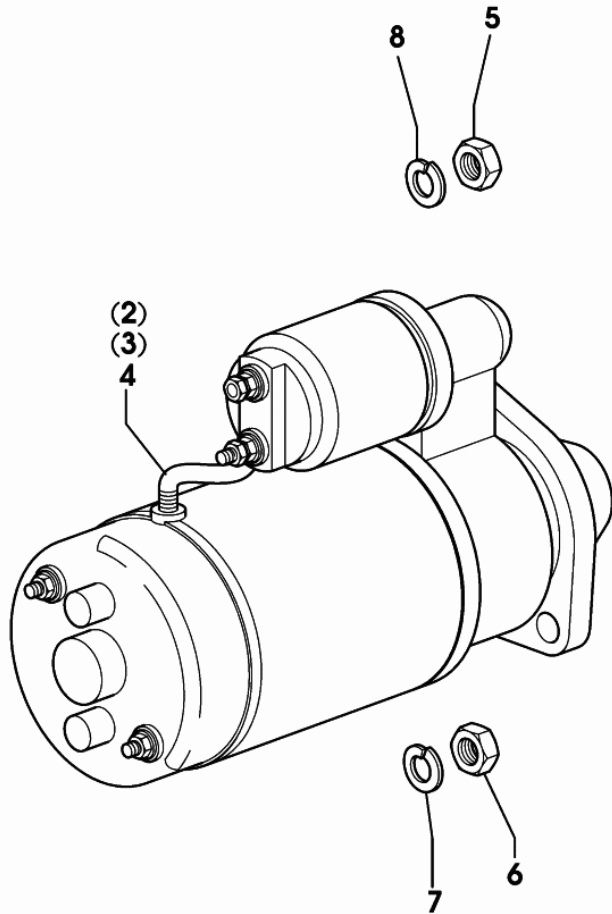
STARTER

Fig.	Code	QTY	Name
------	------	-----	------

Notes:

-> 1034 X AgroCompact 70F4 -> 1028 X AgroCompact F80 -> 1010 X AgroCompact F90

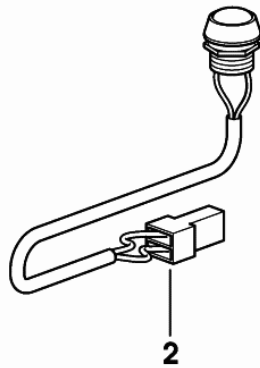
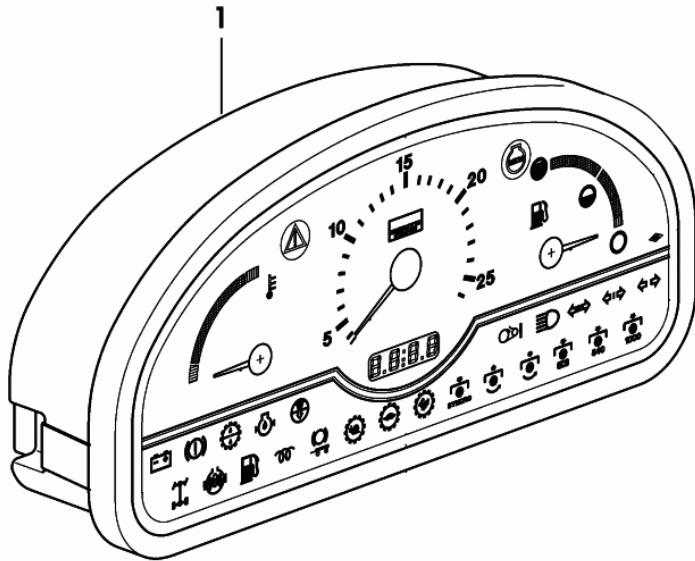
4	2.9619.390.0	1	starter motor 12 V, 3 kW, Z = 9 COMPONENT PARTS SEE COMPONENTS LIST ☞ 2.9619.390.0 ☞ 08.00.79
5	2.1011.106.2	1	nut m 10 p.1.5
6	2.1011.522.2	1	nut m 12 p.1.25
7	2.1470.007.2	1	lock washer 12
8	2.1470.006.2	1	lock washer 10



9_52784_09_0_B

Section: ELECTRIC AL SYSTEM
DIGITAL INSTRUMENT PANEL

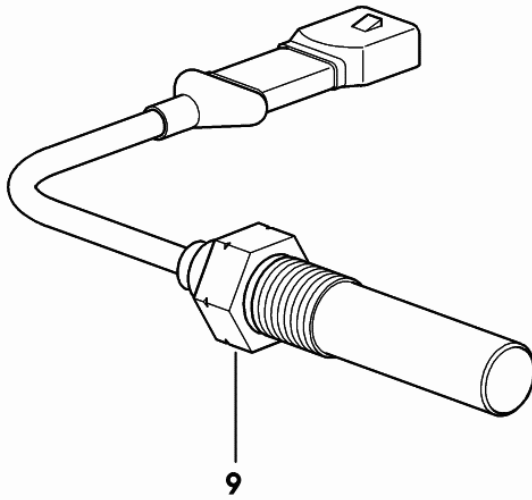
Fig.	Code	QTY	Name
1	2.8339.203.0	1	controle panel 1027 <- X AgroCompact F60 1006 <- X AgroCompact 70F3 1037 <- X AgroCompact 70F4 1030 <- X AgroCompact F80 1009 <- X AgroCompact F90
1	2.8339.203.0/40	1	multimeter -> 1028 X AgroCompact F60 -> 1007 X AgroCompact 70F3 -> 1038 X AgroCompact 70F4 -> 1031 X AgroCompact F80 -> 1010 X AgroCompact F90
2	2.7659.140.0	3	push-button



9_78584_21_0_0

SPEED SENSOR

Fig.	Code	QTY	Name
9	0.008.1646.0	1	speed sensor



9_64884_11_0_0

Section: ELECTRIC AL SYSTEM
CAB ELECTRICAL SYSTEM

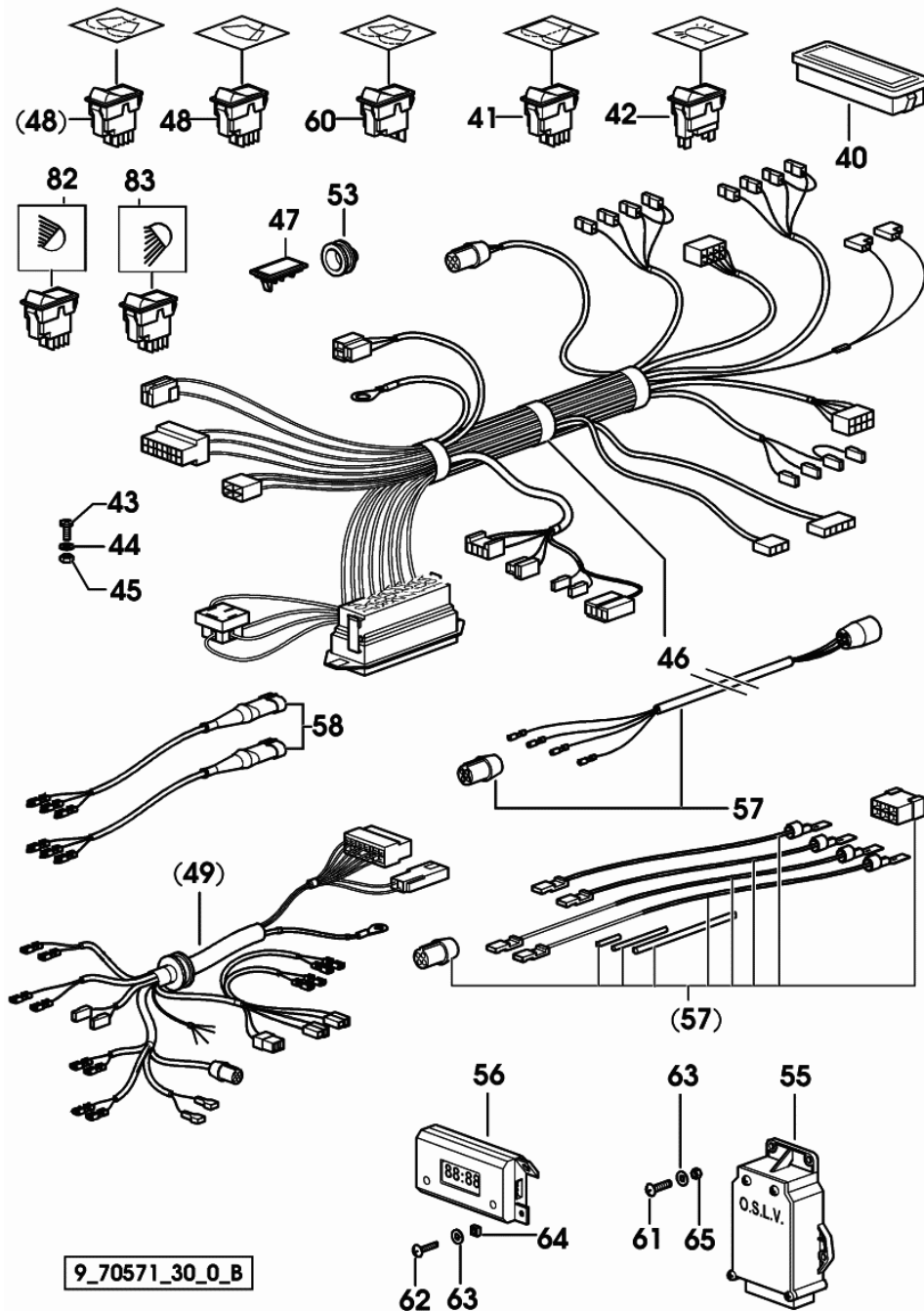


Fig.	Code	QTY	Name
56	2.9389.002.0	1	digital chronometers -> 1042 X AgroCompact F60 -> 1007 X AgroCompact 70F3 -> 1055 X AgroCompact 70F4 -> 1039 X AgroCompact F80 -> 1011 X AgroCompact F90
57	0.010.7264.4	1	wire 1041 <- X AgroCompact F60 1006 <- X AgroCompact 70F3 1054 <- X AgroCompact 70F4 1038 <- X AgroCompact F80 1010 <- X AgroCompact F90
57	0.010.7264.4/10	1	wire -> 1042 X AgroCompact F60 -> 1007 X AgroCompact 70F3 -> 1055 X AgroCompact 70F4 -> 1039 X AgroCompact F80 -> 1011 X AgroCompact F90
58	0.010.9057.3	1	wire ☞ 0.010.9057.3
60	2.7659.091.0	1	push-button -> 1042 X AgroCompact F60 -> 1007 X AgroCompact 70F3 -> 1055 X AgroCompact 70F4 -> 1039 X AgroCompact F80 -> 1011 X AgroCompact F90
61	2.0322.205.3	2	screw
62	2.0322.105.3	2	screw m 3 x 14
63	2.1310.028.2	4	flat washer 4
64	2.1040.101.7	2	nut m 3
65	2.1011.101.2	2	nut m 4 p.0.7
82	2.7659.078.0	1	switch
83	2.7659.079.0	1	switch

9_33311_00_0_B

Section: ENGINE
TIMING CASE

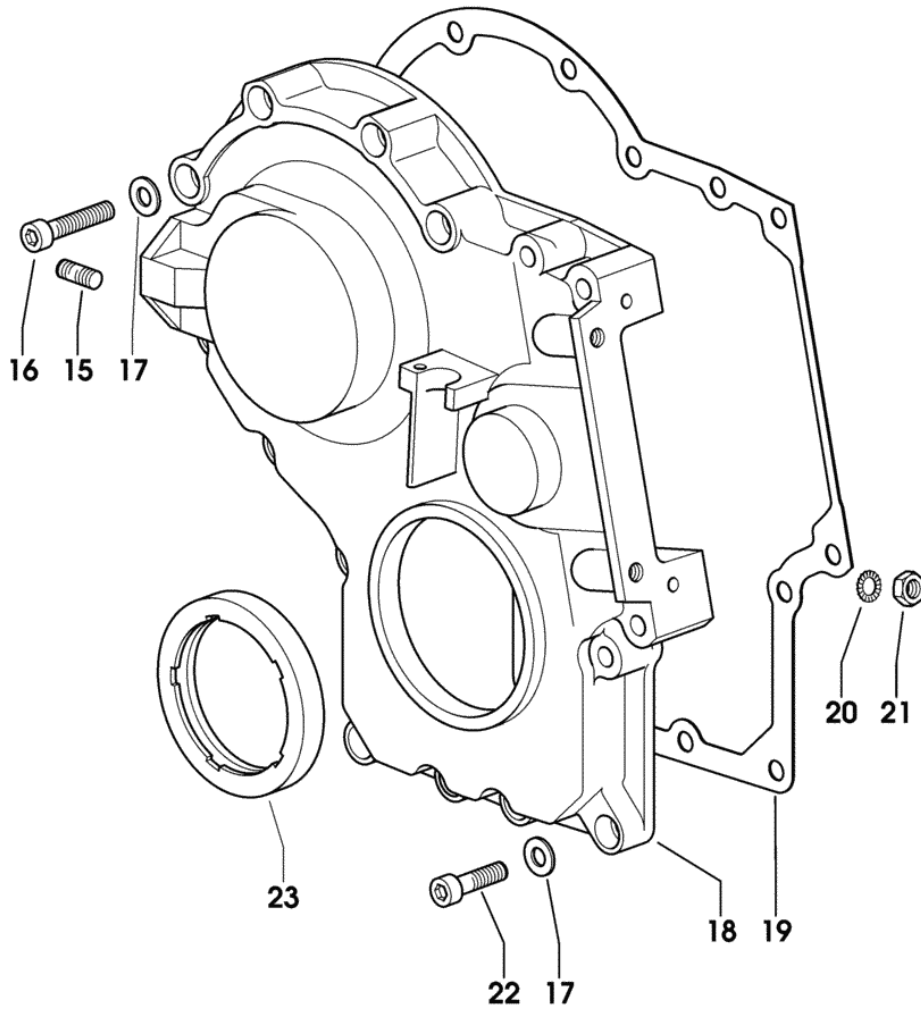
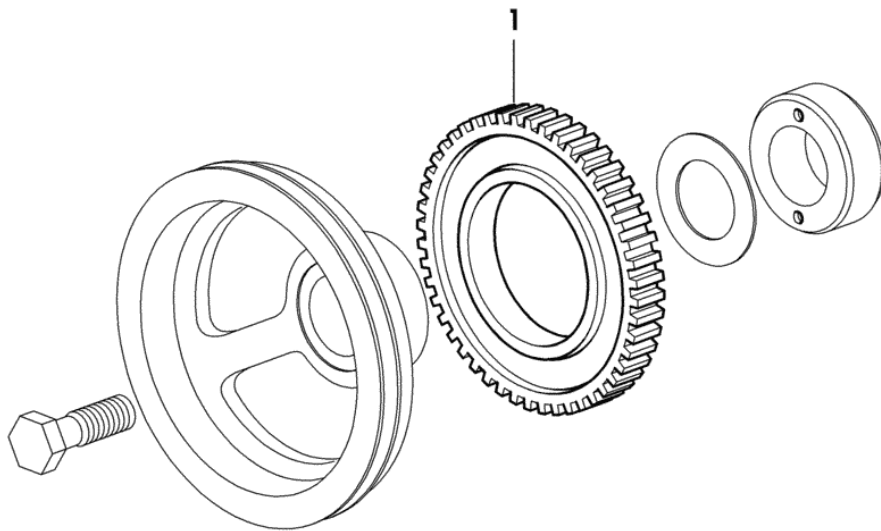


Fig.	Code	QTY	Name
15	2.0432.003.7	2	stud bolt m 8 p.1.25 / p.1 x 20
16	2.0312.214.2	7	screw m 8 p.1.25 x 40
17	2.1480.014.1	15	washer 8
18	0.065.1132.0/50	1	sump 1060 <- X AgroCompact 70F4 1058 <- X AgroCompact F80 1014 <- X AgroCompact F90
18	0.013.4981.0	1	sump -> 1061 X AgroCompact 70F4 -> 1059 X AgroCompact F80 -> 1015 X AgroCompact F90
19	0.065.1150.0/30	1	gasket
20	2.1470.004.2	4	washer 8
21	2.1011.405.2	2	nut m 8 p.1
22	2.0312.208.2	8	screw m 8 p.1.25 x 25
23	2.1529.141.0	1	'o' ring

Section: ENGINE
PULSE WHEEL

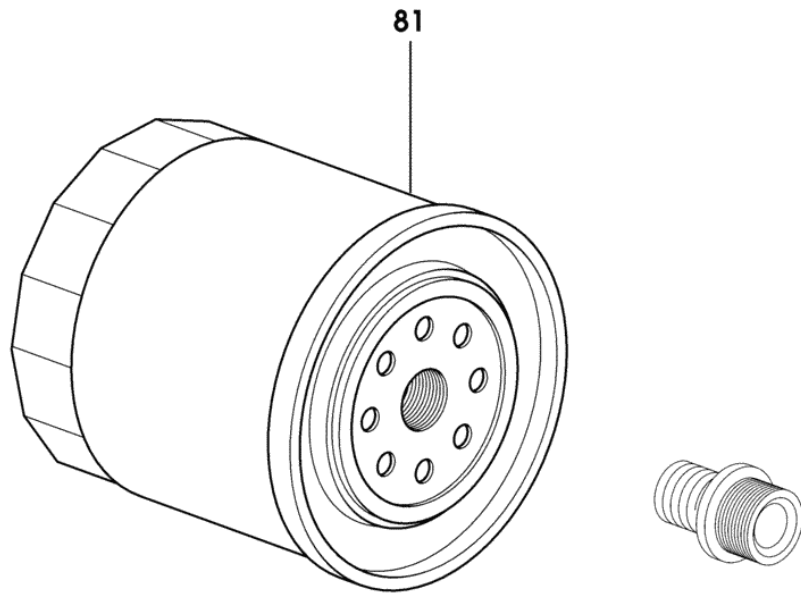
Fig.	Code	QTY	Name
1	0.011.3531.0	1	gear Z = 48



9_36812_05_0_0

Section: ENGINE
LUBRIC. OIL FILTER

Fig.	Code	QTY	Name
81	0.044.1567.0	1	oil filter element



9_33015_04_0_0

Section: ENGINE
FUEL FEED PUMP

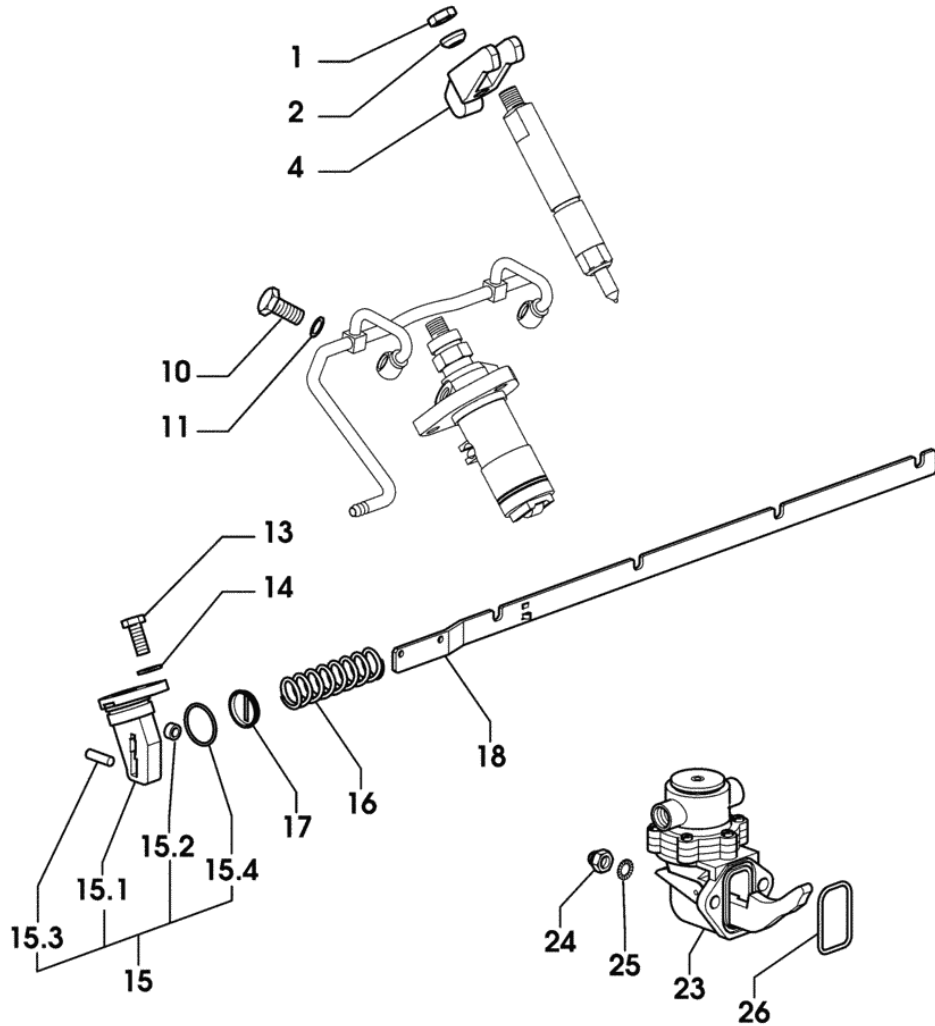


Fig.	Code	QTY	Name
1	2.1011.421.2	4	nut m 10 p.1.25
2	2.1599.454.0	4	snoulder 10.5x17x7.5
4	0.011.5275.0/20	4	bracket
10	2.3339.001.2	4	pipe union
11	2.1560.005.0	8	gasket 10.2 x 14
13	2.0112.207.2	2	screw m 8 p 1.25 x 20
14	2.1310.004.2	2	flat washer 8.5
15	0.000.0000.1	0	not serviceable
15.1	0.065.1693.0/30	1	support
15.2	0.065.1660.0	1	roller
15.3	2.1651.507.0	1	pin 6 x 16
15.4	2.1530.072.0	1	'o' ring 26.70x1.78
16	2.4019.314.1/20	1	spring 21.5x76x1
17	0.065.1659.0	1	stop
18	0.065.1613.3/20	1	rod
23	2.4519.310.0	1	feed pump
			COMPONENT PARTS SEE
			COMPONENTS LIST
			☞ 2.4519.310.0
			☞ 01.00.5
24	2.1011.405.2	2	nut m 8 p.1
25	2.1470.004.2	2	washer 8
26	2.1539.045.0	1	'o' ring 37.77x2.62

9_33216_00_0_0

Section: ENGINE

PARTS SET - ENGINE MOUNTING

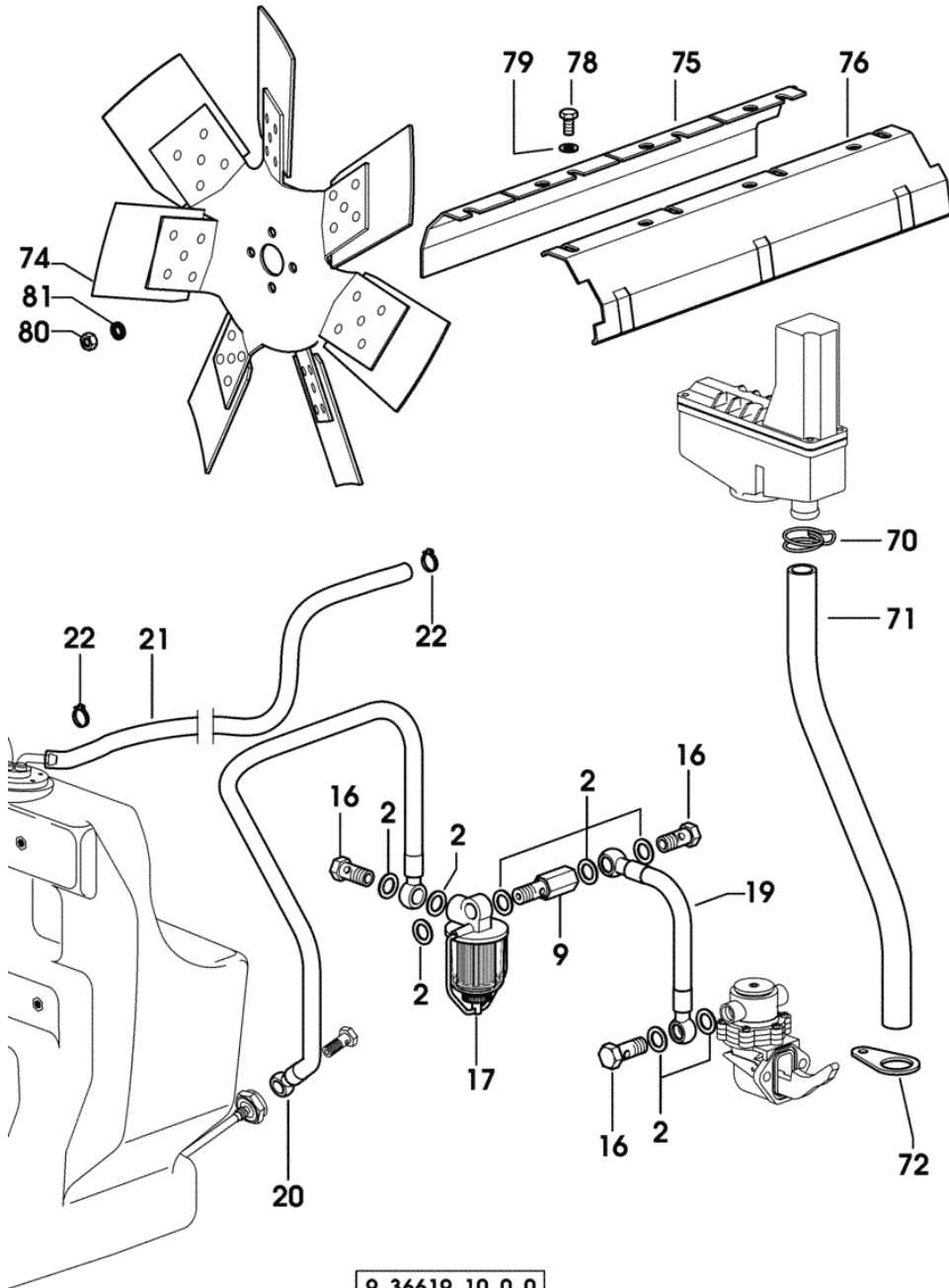
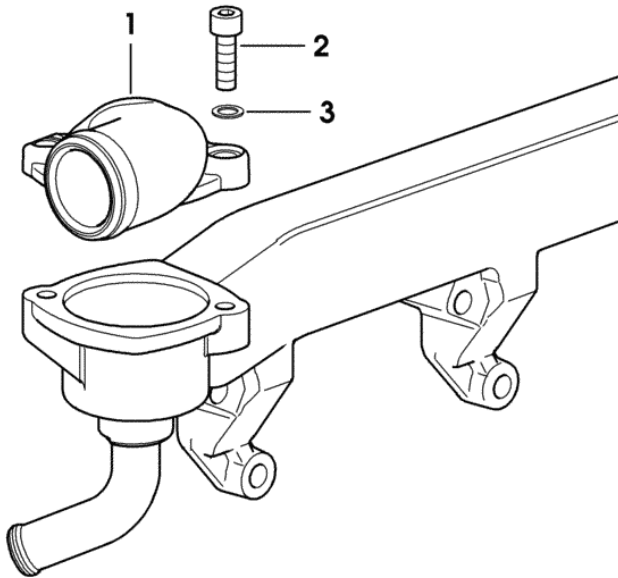


Fig.	Code	QTY	Name
2	2.1561.007.0	8	gasket 14,8x22.2
9	2.3339.823.2/20	1	pipe fitting
16	2.3339.040.2	3	pipe union m 14 p.1.5x45
17	2.4319.220.0	1	precleaner COMPONENT PARTS SEE COMPONENTS LIST ☞ 2.4319.220.0 ☞ 01.00.11
19	0.010.8336.3/10	1	tube
20	0.010.8337.3/10	1	tube
21	0.008.9765.0	1	tube
21	0.012.6451.0	0	1151 <- X AgroCompact 70F4 1156 <- X AgroCompact F80 1056 <- X AgroCompact F90 tube Ø mm 8/15 -> 1152 X AgroCompact 70F4 -> 1157 X AgroCompact F80 -> 1057 X AgroCompact F90
22	2.6850.002.0	2	clamp 12-22
70	2.6859.073.2	1	clamp
71	0.066.1559.0	1	tube
72	0.075.1151.0	1	bracket
74	0.007.1545.0	1	rotor blade
75	0.065.1764.0/40	1	guard
76	0.066.1762.0/50	1	guard
78	2.0112.204.2	3	screw m 8 p.1.25x14
79	2.1310.004.2	3	flat washer 8.5
80	2.1011.305.2	4	nut m 8 p.1 x 8
81	2.1470.004.2	4	washer 8

9_36619_10_0_0

WATER MANIFOLD COVER

Fig.	Code	QTY	Name
1	0.066.1767.0/20	1	cover
2	2.0312.208.2	2	screw m 8 p.1.25 x 25
3	2.1480.014.1	2	washer 8



9_33317_04_0_0

P.T.O. - 2 SPEED TYPE 540 - 750 + SINCRO

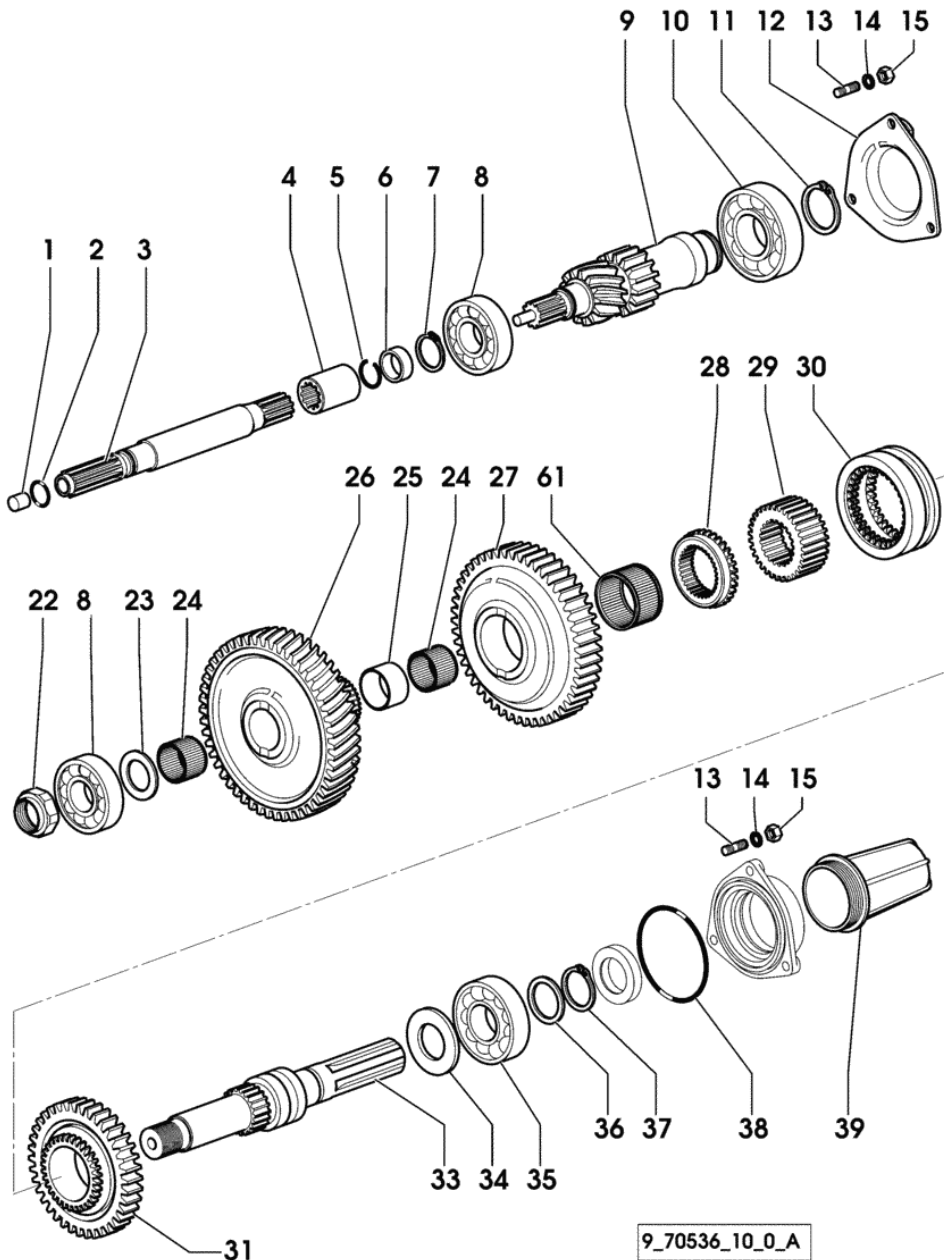


Fig.	Code	QTY	Name
------	------	-----	------

Notes:

1064 <- X AgroCompact F60 1015 <- X AgroCompact 70F3 1079 <- X AgroCompact 70F4 1084 <- X AgroCompact F80 1033 <- X AgroCompact F90

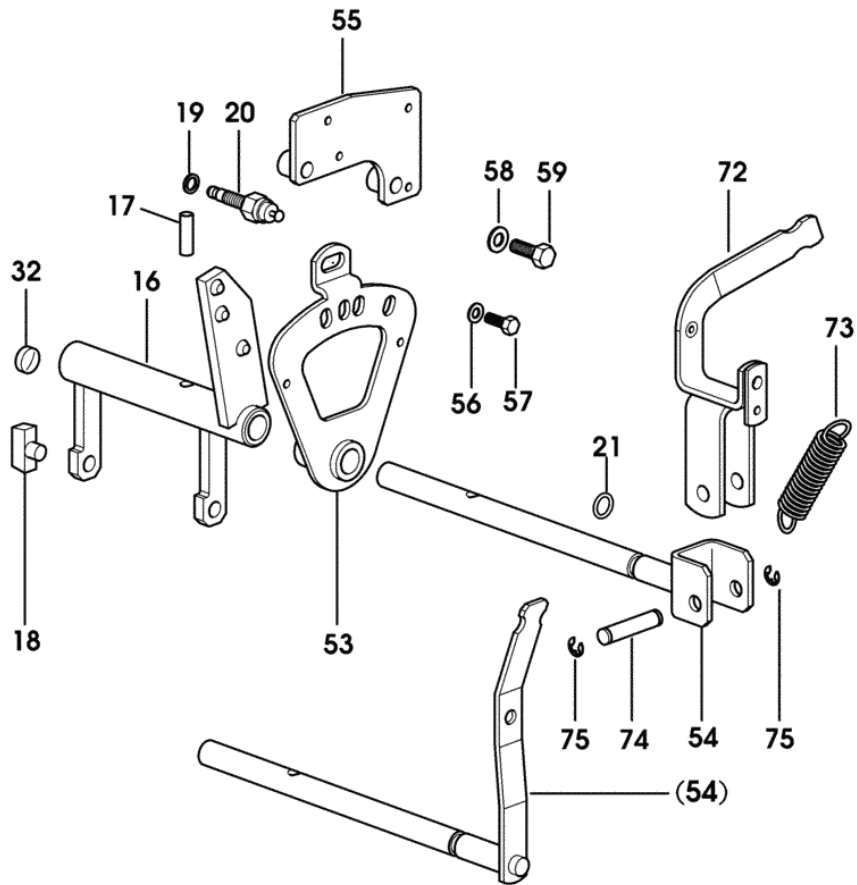
1	2.1555.206.0	1	bushing 12 x 14 x 15
2	2.1530.054.0	1	'o' ring 20.63x2.62
3	0.010.7695.0/10	1	p.t.o.shaft
4	0.010.7696.0	1	sleeve Z = 11
5	2.1420.010.1	1	circlip a 25
6	2.1549.172.0	1	spacer 24.7 x 31 x 12
7	2.1410.012.1	1	circlip 30
8	2.2999.300.0	2	bearing 30 x 72 x 19
9	0.010.7698.0	1	p.t.o.shaft Z = 13 / 16
10	2.2062.012.0	1	ball bearing 40 x 90 x 23
11	2.1410.016.1	1	circlip 40
12	0.008.5181.3/10	1	complete cover
13	2.0422.203.7	9	stud bolt m 8 p.1.25 x 20
14	2.1470.004.2	9	washer 8
15	2.1011.105.2	9	nut m 8 p.1.25
22	2.1219.038.0/40	1	ring nut m 30 p.1.5
23	2.1589.321.0	1	snoulder 30x47x3
24	2.2770.062.0	2	roller cage 35x40x27
25	0.010.7712.0	1	spacer
26	0.010.7699.0	1	gear Z = 50
27	0.010.7700.0	1	gear Z = 50
28	0.009.3830.3	1	gear Z = 32
29	0.010.7701.0	1	hub z=32 z=21
30	0.009.3822.0/20	1	sleeve Z = 32
31	0.010.7703.0	1	gear z=38 z=32
33	0.010.7702.0/10	1	p.t.o.shaft
34	2.1599.792.0	1	shoulder
35	2.2062.011.0	2	ball bearing 35 x 80 x 21
36	2.1599.421.0	1	snoulder 35 x 45 x 3.0
37	2.1419.002.1	1	circlip 35
38	2.1539.025.0/10	2	'o' ring 88.57 x 2.62
39	0.154.3655.0/10	1	guard
61	2.2999.363.0	1	roller cage

9_70536_10_0_A

P.T.O. - 2 SPEED TYPE + SINCRO 540 - 1000

Fig.	Code	QTY	Name
------	------	-----	------

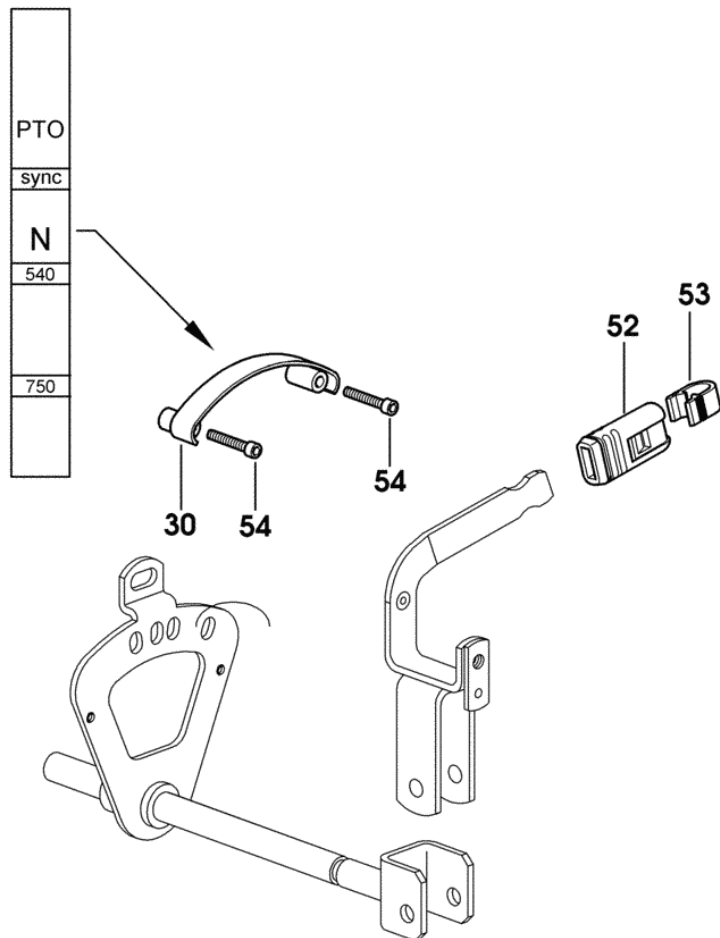
75	2.1410.001.1	2	-> 1075 X AgroCompact 70F4 -> 1077 X AgroCompact F80 -> 1025 X AgroCompact F90 circlip 10 -> 1061 X AgroCompact F60 -> 1016 X AgroCompact 70F3 -> 1075 X AgroCompact 70F4 -> 1077 X AgroCompact F80 -> 1025 X AgroCompact F90
----	--------------	---	---



9_70536_11_0_C

P.T.O. - EXTERNAL CONTROLS 540 - 750 + SINCRO

Fig.	Code	QTY	Name
30	0.010.7788.3/20	1	sector
52	0.008.8388.0	1	knob
53	0.008.8383.0	1	coupling
54	2.0332.309.6	2	screw m 5 x 30

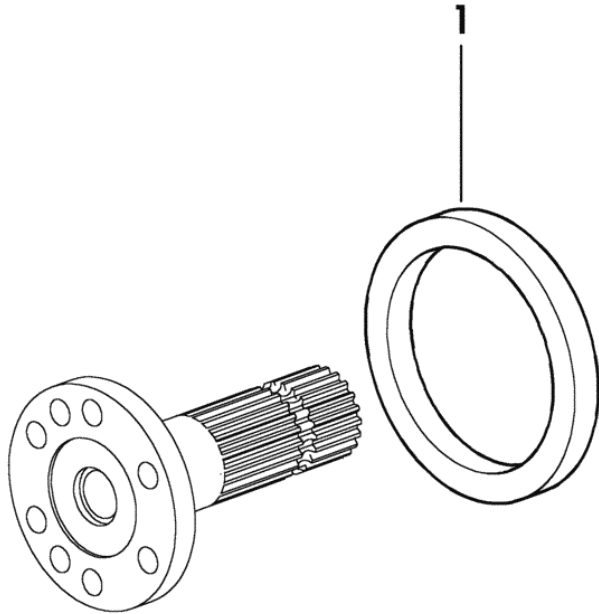


9_70536_12_0_0

PTO - SEAL RING FOR INSERTED END SHAFT - WATER PROOF VERSION

9_40536_02_0_0

Fig.	Code	QTY	Name
1	2.1529.120.0	1	'o' ring 85x110x13



Section: FRONT AXEL

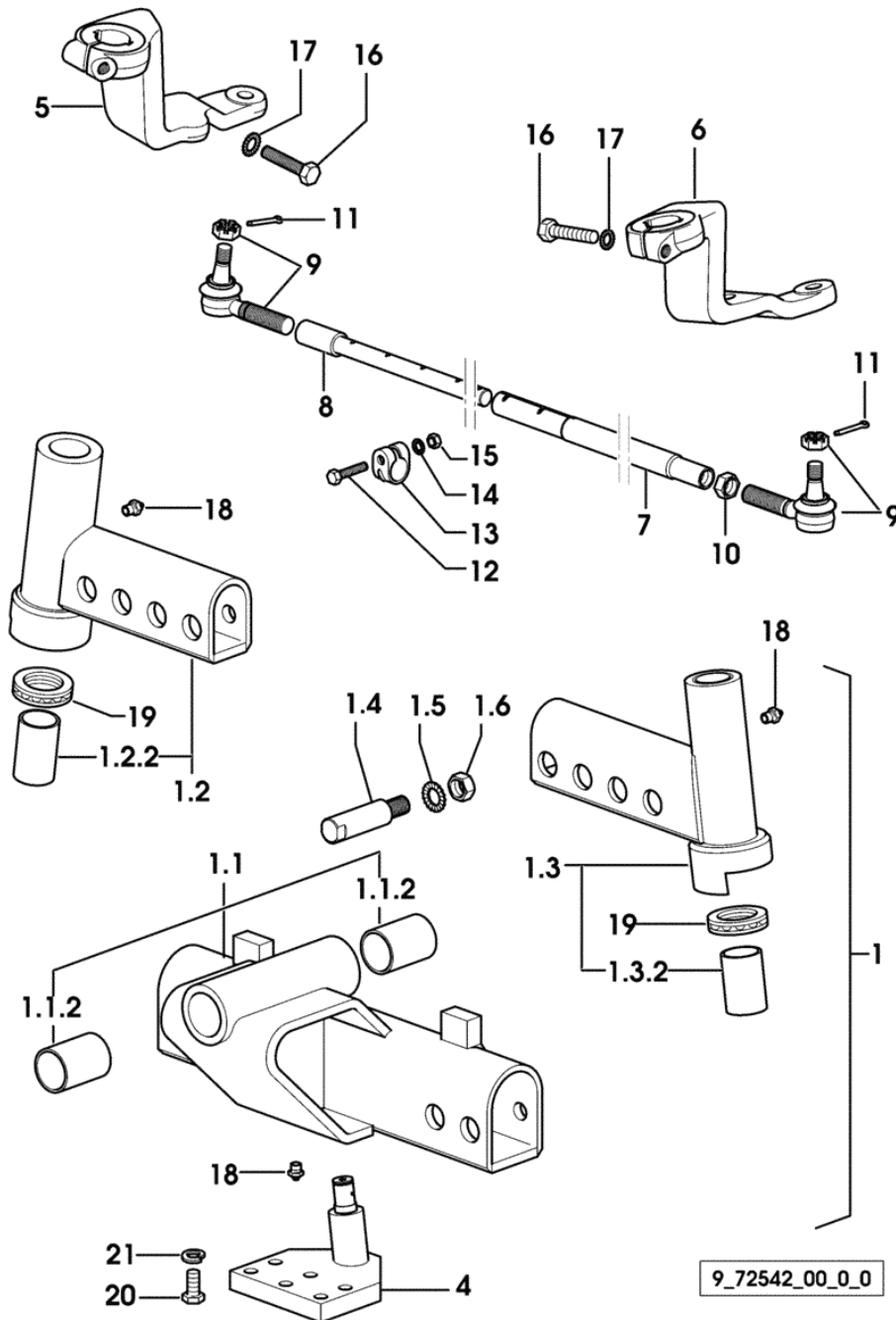
2WD - EXTENDIBLE AXLE - NARROW TYPE

Fig.	Code	QTY	Name
------	------	-----	------

Notes:

- FOR TYPES WITH FRONT BRAKES

1	0.000.0000.1	0	not serviceable
1.1	0.010.1360.3/20	1	central axle
1.1.2	2.1559.368.0	2	bushing 40X46,1X59,5
1.2	0.479.4211.3	1	counter shaft dx/rh/re
1.2.2	2.1559.078.0	2	bushing 35x41x60
1.3	0.479.4212.3	1	counter shaft sx/lh/li
1.3.2	2.1559.078.0	2	bushing 35x41x60
1.4	0.437.4253.0/20	4	pin
1.5	2.1470.010.2	4	lock washer 18
1.6	2.1011.510.2	4	nut m 18 p.1.5
4	0.010.1363.2	1	pin
5	0.010.9433.0/20	1	lever dx/rh/re
6	0.479.4233.0/30	1	lever sx/lh/li
7	0.479.4235.0	1	connecting rod
8	0.479.4234.2	1	connecting rod
9	0.010.0486.4	2	ball joint
COMPONENT PARTS SEE COMPONENTS LIST			
			☞ 0.010.0486.4
			☞ 04.00.18
10	2.1011.510.2	2	nut m 18 p.1.5
11	2.1690.312.2	2	split pin 3.2x30
12	2.0112.215.2	2	screw m 8 p.1.25 x 40
13	0.422.4238.0	2	clamp
14	2.1470.004.2	2	washer 8
15	2.1011.005.2	2	nut m 8 p.1.25
16	2.0112.419.2	2	screw m 12 p.1.75 x 50
17	2.1470.007.2	2	lock washer 12
18	2.3820.105.2	3	lubricator m 10 p.1 x 7
19	2.2610.009.0	2	thrust bearing 40x60x13
20	2.0112.413.2	6	screw m 12 p.1.75x35
21	2.1475.004.7	6	washer 13 x 24

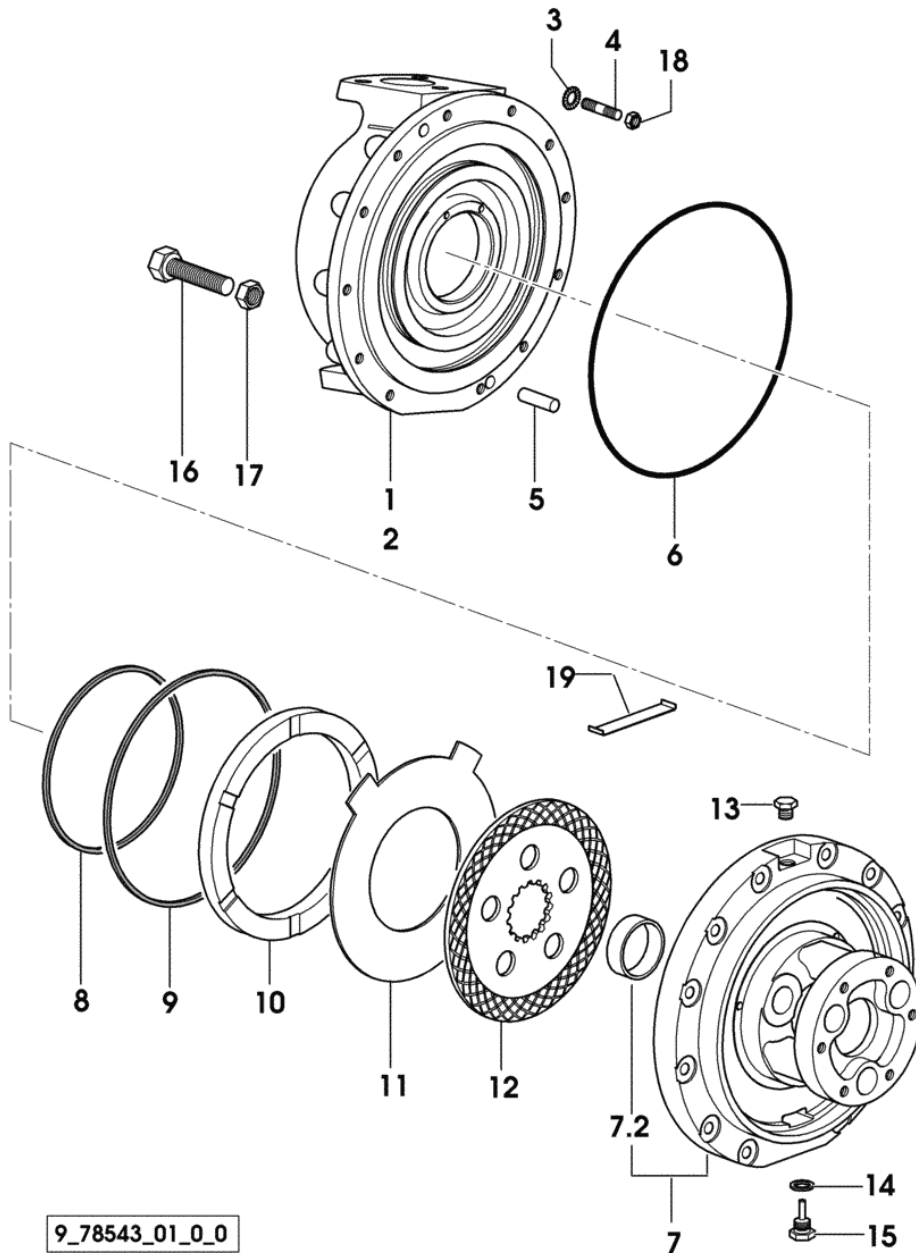


Section: FRONT AXEL

4WD - FRONT BRAKES - NARROW TYPE

Fig.	Code	QTY	Name
1	0.011.0155.0/30	1	fork dx/rh/re
2	0.011.0157.0/30	1	fork sx/lh/li
3	2.1475.202.2	24	spring washer 8.4 x 16
4	2.0432.009.7	24	stud bolt m 8 p.1.25 / p. 1 x 35
5	2.1651.815.0	4	cylindrical plug 10 x 35
6	2.1530.296.0	2	'o' ring 215.5 x 3.53
7	0.007.7968.3/30	2	spider
7.2	2.1559.367.0	1	bushing 43 x 48 x 15
8	0.270.4353.0/20	2	gasket 143.6 x 150.4 x 3.4
9	0.275.4354.0/20	2	gasket 183.6x190.4x3.4
10	0.008.5733.0	2	piston
11	0.270.4351.0	2	pressure plate 100x181x2.57
12	0.008.5343.2	2	brake disc 940287
13	2.3199.125.0	2	plug 1/8" gas
14	2.1560.008.0	2	gasket 12.2 x 18
15	2.3199.065.2	2	plug m 12 p.1.75 x 36
16	2.0119.237.2	2	screw m 14 p.2 x 75
17	2.1011.008.2	2	nut m 14 p.2
18	2.1011.405.2	24	nut m 8 p.1
19	0.012.1337.0	2	shield

- > 1088 X AgroCompact F60
- > 1020 X AgroCompact 70F3
- > 1111 X AgroCompact 70F4
- > 1123 X AgroCompact F80
- > 1045 X AgroCompact F90



9_78543_01_0_0

4WD - DIFFERENTIAL LOCK CONTROL-ELECTROHYDRAULIC

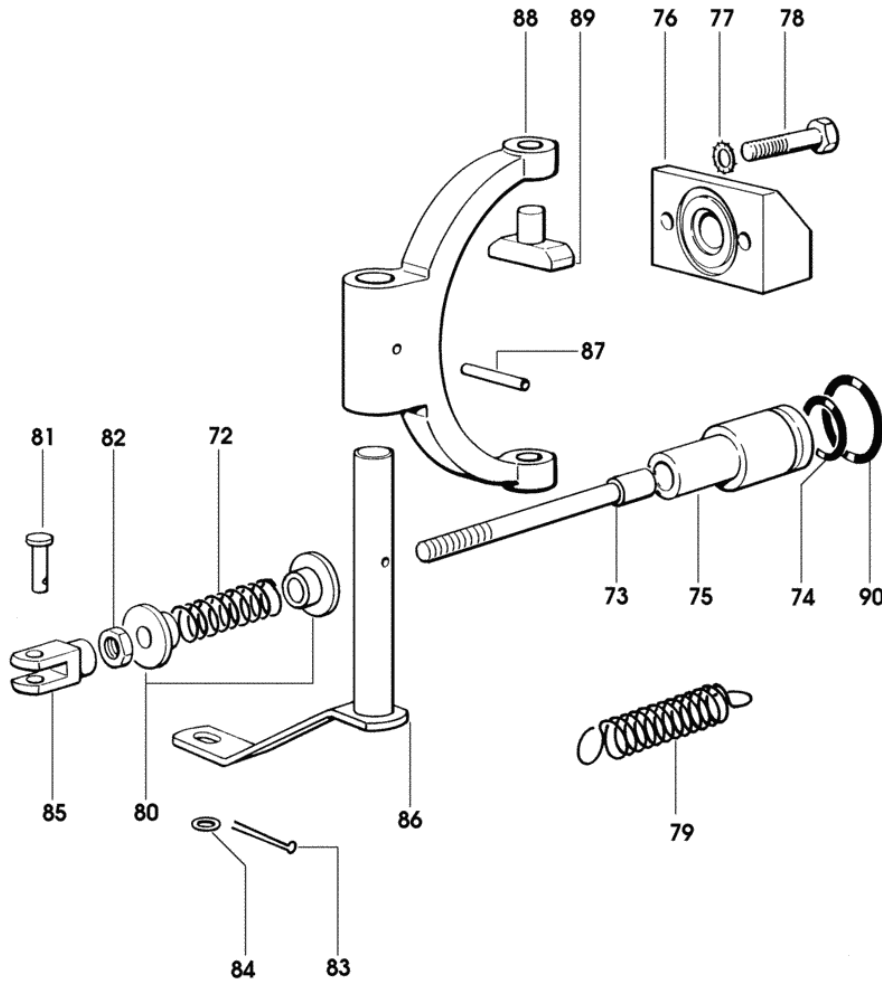
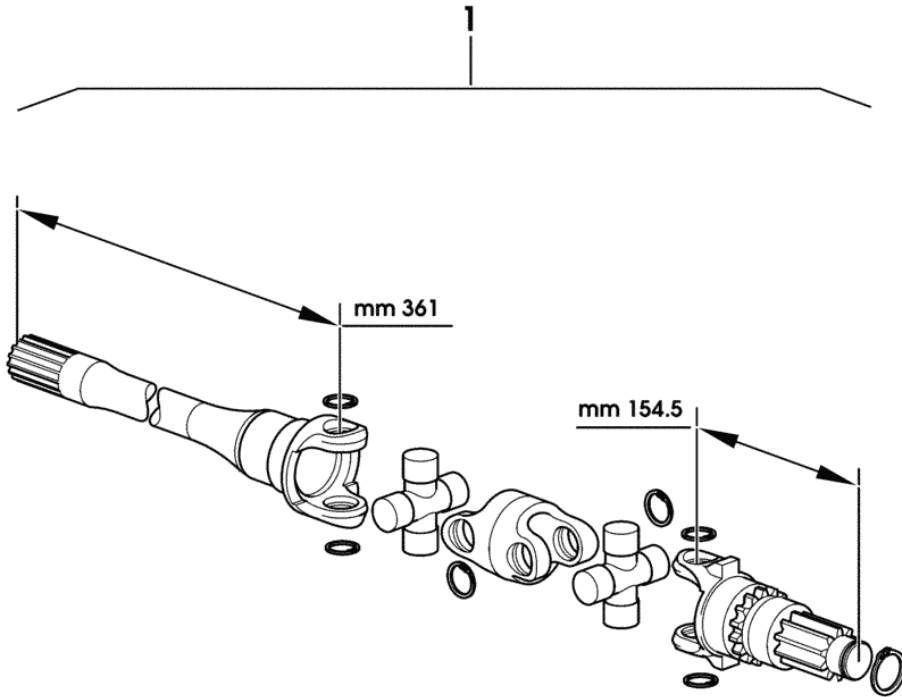


Fig.	Code	QTY	Name
72	2.4019.397.2	1	spring
73	0.467.4659.0/10	1	ferrule
74	2.1530.043.0	1	'o' ring 17.13x2.62
75	0.007.6282.0/30	1	piston
76	0.009.7877.0/10	1	small plate
77	2.1470.002.2	2	washer 6, d128
78	2.0112.005.2	2	screw m 6 p.1 x 16
79	2.4049.184.2	1	spring 12.4x18x2.8x56
80	0.272.4651.0	2	spacer
81	2.1671.103.2	1	pin 6x18
82	2.1011.103.2	1	nut m 6 p.1
83	2.1690.205.2	1	split pin 2x12
84	2.1310.002.2	1	washer 6.6, d125
85	2.3510.003.2	1	fork m 6
86	0.467.4656.2/20	1	lever
87	2.1630.511.0	1	roll pin 5x24
88	0.467.4657.0/10	1	fork
89	0.467.4660.0	2	shoe
90	2.1530.062.0	1	'o' ring 23.81 x 2.62

9_70546_12_0_B

4WD - AXLESHAFTS - STANDARD TYPE

Fig.	Code	QTY	Name
1	0.010.0230.4	2	joint mm 361 / mm 154.5 1098 <- X AgroCompact F60 1021 <- X AgroCompact 70F3 1150 <- X AgroCompact 70F4 1151 <- X AgroCom ☞ 0.010.0230.4 ☞ 04.00.29
1	0.010.0230.4/10	2	joint mm 361 / mm 154.5 -> 1099 X AgroCompact F60 -> 1022 X AgroCompact 70F3 -> 1151 X AgroCompact 70F4 -> 1152 X AgroCom ☞ 0.010.0230.4/10 ☞ 04.00.30



9_70546_07_0_0

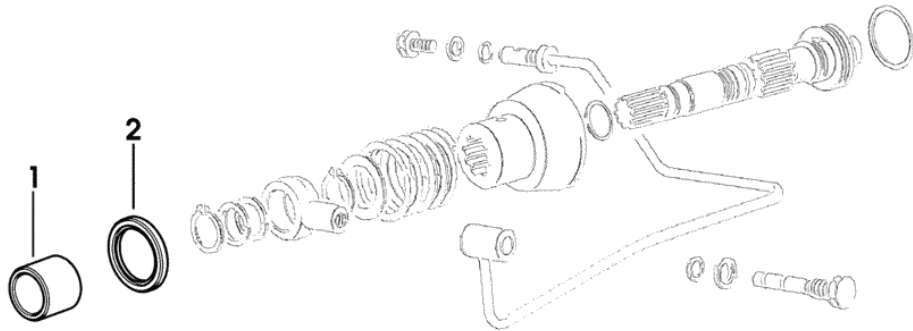
4WD - ENGAGEMENT CONTROL - STANDARD SEALS

Fig.	Code	QTY	Name
------	------	-----	------

Notes:

-> 1127 X AgroCompact F60 -> 1026 X AgroCompact 70F3 -> 1174 X AgroCompact 70F4 -> 1227 X AgroCompact F80 -> 1110 X AgroCompact F90

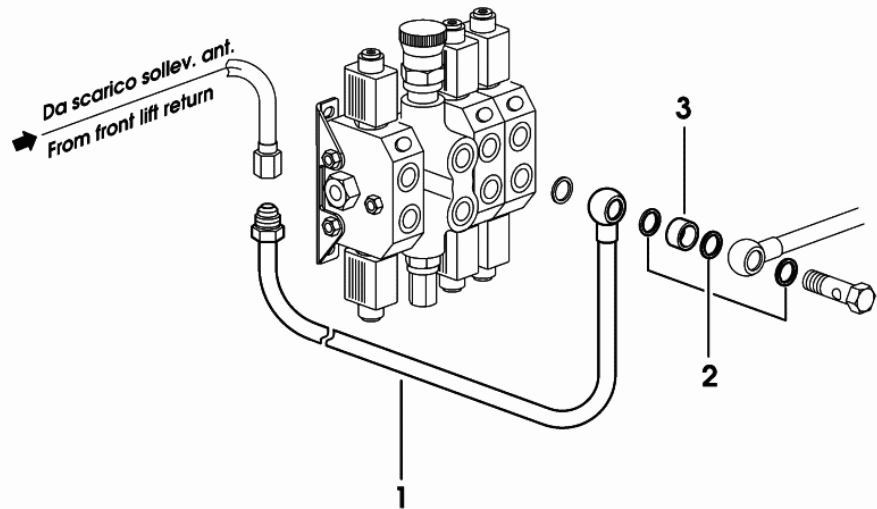
1	2.1549.569.0	1	spacer 30 x 40 x 35
2	2.1520.120.0	1	oil seal 40 x 55 x 8.0



9_70538_03_0_0

FRONT LIFT - HYDRAULIC SYSTEM

Fig.	Code	QTY	Name
1	0.012.2476.3	1	tube
2	2.1560.014.0	3	gasket 18.2 x 24 x 1.5
3	2.1549.385.2	1	spacer 18.6 x 25 x 13



9_78659_81_0_0

Section: GEAR
CLUTCH CONTROL

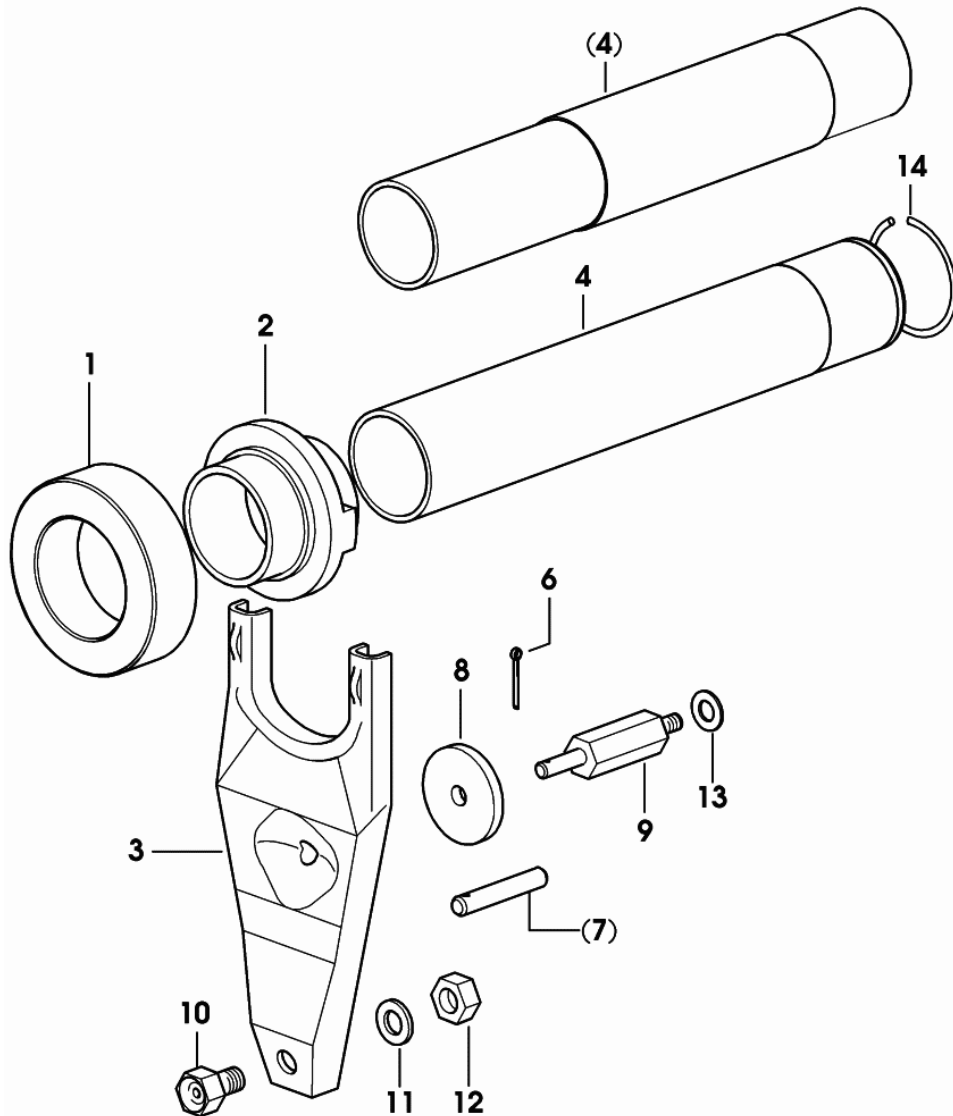


Fig.	Code	QTY	Name
1	2.2999.475.0	1	bearing 55x90x22
2	0.255.6533.0/30	1	sleeve
3	0.009.7022.0/10	1	fork
4	0.009.9805.0/10	1	tube 1154 <- X AgroCompact F60 1041 <- X AgroCompact 70F3 1233 <- X AgroCompact 70F4 1330 <- X AgroCompact F80 1174 <- X AgroCompact F90
4	0.013.9852.0/10	1	tube -> 1155 X AgroCompact F60 -> 1042 X AgroCompact 70F3 -> 1234 X AgroCompact 70F4 -> 1331 X AgroCompact F80 -> 1175 X AgroCompact F90
6	2.1690.206.2	1	split pin 2x16
7	2.1699.223.0	1	pin 8 x 45 1091 <- X AgroCompact F60 1019 <- X AgroCompact 70F3 1122 <- X AgroCompact 70F4 1132 <- X AgroCompact F80 1050 <- X AgroCompact F90
8	2.1599.496.0/10	1	snoulder 8x40x5
9	0.010.5061.0/20	1	pin mm 93.5
10	2.0399.202.7/10	1	screw m 10 p1.5x16
11	2.1475.003.2	1	washer 10
12	2.1011.106.2	1	nut m 10 p.1.5
13	2.1475.003.2	1	washer 10
14	2.1420.018.1	1	circlip 45 -> 1155 X AgroCompact F60 -> 1042 X AgroCompact 70F3 -> 1234 X AgroCompact 70F4 -> 1331 X AgroCompact F80 -> 1175 X AgroCompact F90

9_70565_00_0_0

Section: GEAR

4 SPEED GEARBOX WITH MINI REDUCTION GEAR

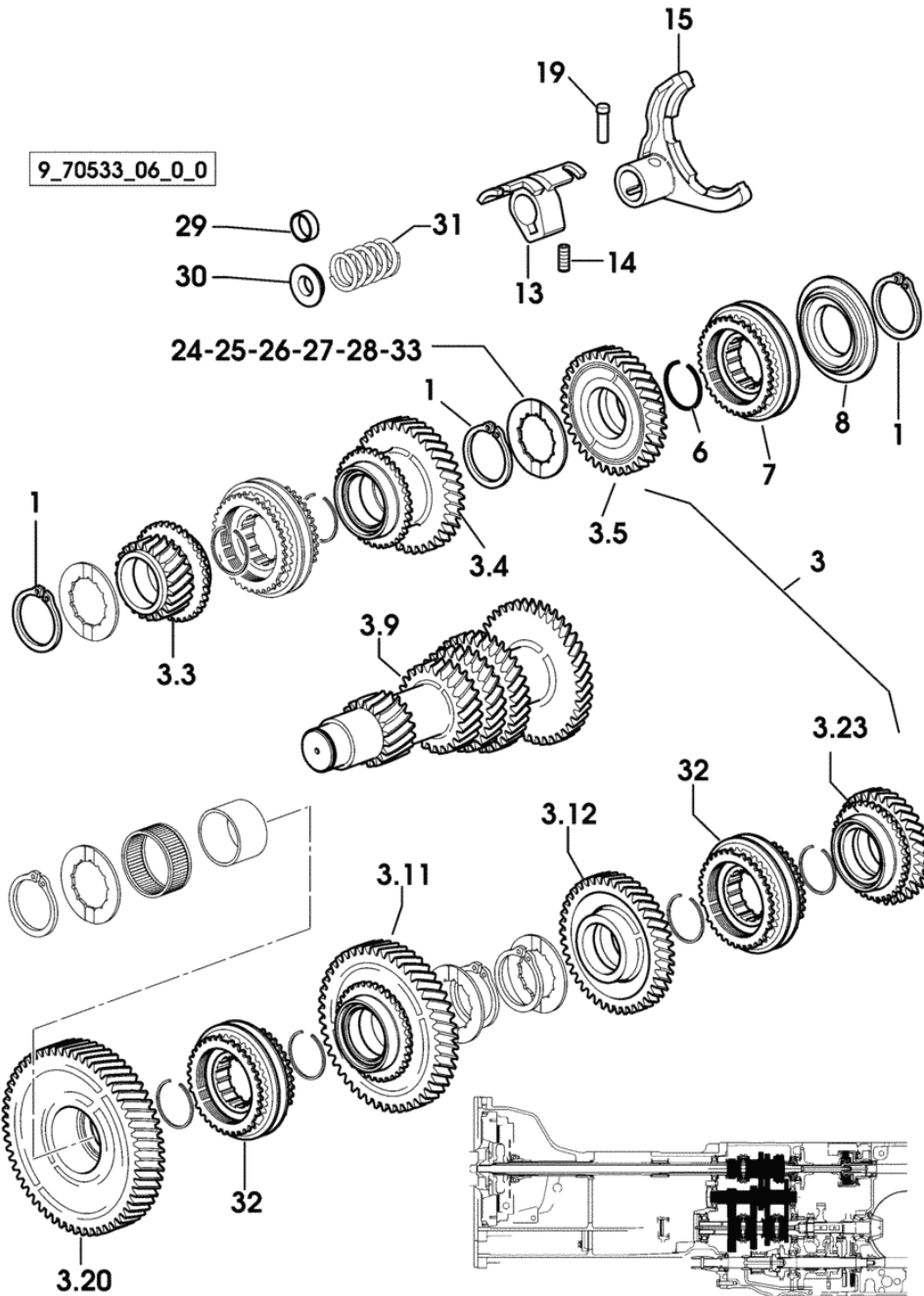
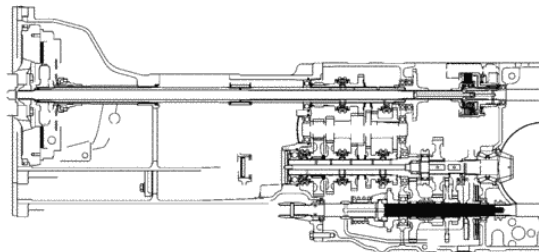
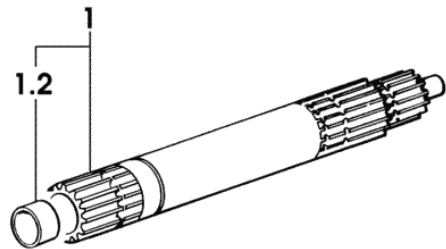
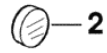


Fig.	Code	QTY	Name
1	2.1410.017.1	3	circlip 42
3	0.000.0000.1	0	not serviceable
3.3	0.008.5146.0/40	1	gear Z = 23
3.4	0.008.5127.0/40	1	gear Z = 37
3.5	0.008.5126.0/30	1	gear Z = 35
3.9	0.008.5102.0/20	1	main shaft z=19 z=24 z=29 z=34 z=41
3.11	0.008.5103.0/30	1	gear Z = 47
3.12	0.008.5104.0/30	1	gear z=42
3.20	0.008.5107.0/40	1	gear Z = 59
3.23	0.008.5100.0/30	1	gear Z = 32
6	2.1422.029.7	1	circlip 40 x 1.5
7	0.007.7621.4	1	lock synchronizer 62 COMPONENT PARTS SEE COMPONENTS LIST ☞ 0.007.7621.4 ☞ 02.00.17
8	0.008.5501.0/30	1	ring
13	0.008.5151.0/30	1	hub
14	2.0599.086.0/40	1	grain m 8 p.1.25 x 28
15	0.009.6748.2/20	1	fork
19	0.008.5994.0/10	1	pin
24	0.008.0251.0	0	shim 39 x 64 x 2.65
25	0.010.0629.0	0	shim 39 x 64 x 2.85
26	0.010.0630.0	0	shim 39 x 64 x 3.05
27	0.010.0631.0	0	shim 39 x 64 x 3.25
28	0.010.0632.0	0	shim 39 x 64 x 3.45
29	2.1549.317.0/10	1	spacer 20x23.2x7.7
30	2.1549.544.2	1	spacer 16 x 27 x 34 x 7.3
31	2.4019.634.1/10	1	spring
32	0.007.7620.4/10	2	lock synchronizer 62 COMPONENT PARTS SEE COMPONENTS LIST ☞ 0.007.7620.4/10 ☞ 02.00.14
33	0.011.8668.0	0	shim 39x64x2.45

Section: GEAR

SPEED RANGE REDUCTION GEAR SHAFT - FOR ELECTROHYDRAULIC CONTROLS

Fig.	Code	QTY	Name
1	0.009.9943.3	1	shaft
1.2	2.1559.338.0	1	bushing 21.6 x 25 x 15.2
2	2.3171.007.4	1	plug Ø 18



9_70534_02_0_0

Section: GEAR

GEAR SHIFTING H - M - L

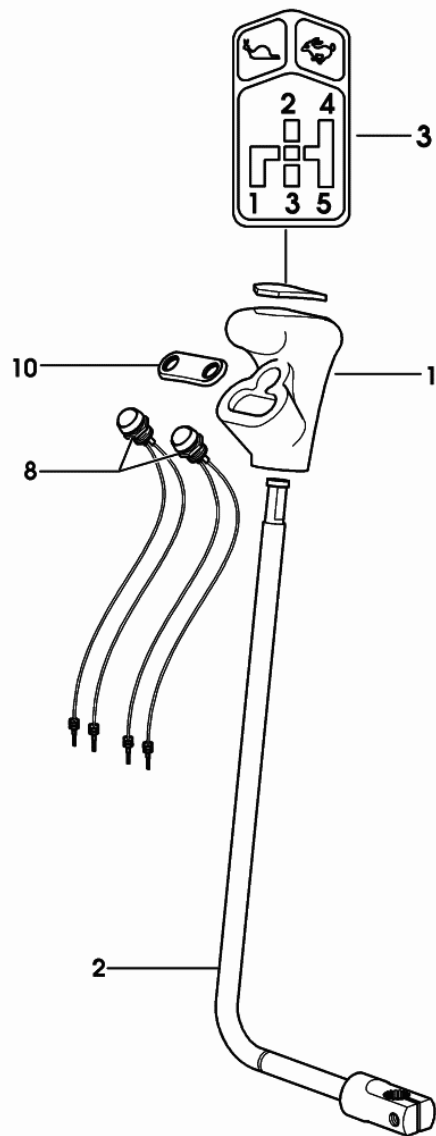


Fig.	Code	QTY	Name
1	0.010.9256.0	1	knob
2	0.010.4614.3/30	1	lever
3	0.007.6793.0/10	1	cap
8	2.7659.183.0	1	push-button
10	0.010.9257.0	1	cap

9_70564_03_0_0

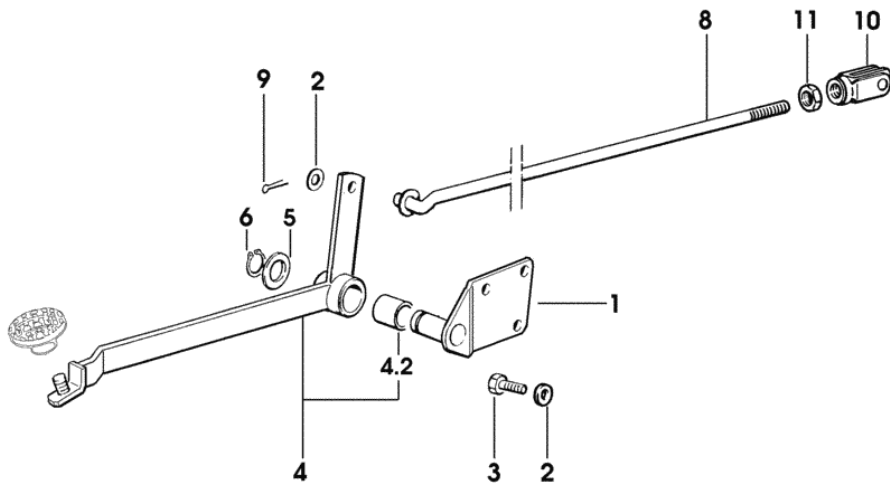
DIFFERENTIAL LOCK CONTROL - MECHANICAL - FOR TYPES WITH FENDERS

Fig.	Code	QTY	Name
------	------	-----	------

Notes:

(...) <- X AgroCompact F60 (...) <- X AgroCompact 70F3 (...) <- X AgroCompact 70F4 (...) <- X AgroCompact F80 (...) <- X AgroCompact F90

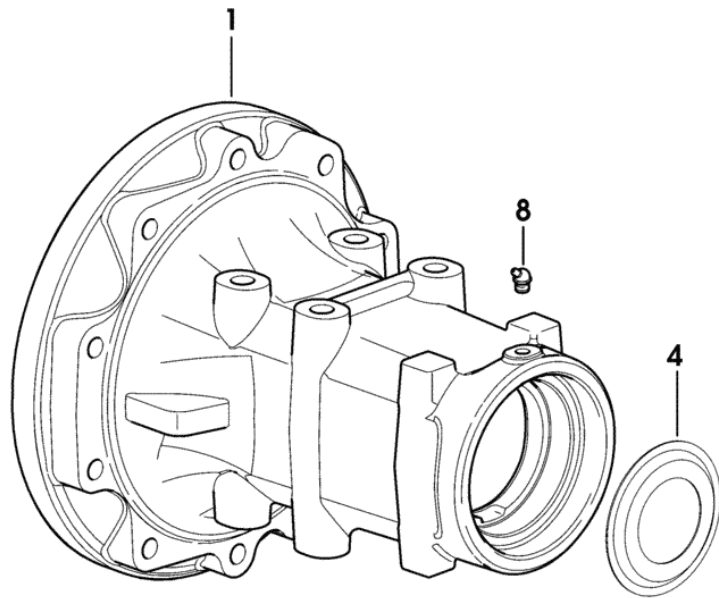
1	0.010.4497.2/10	1	support
2	2.1310.004.2	4	flat washer 8.5
3	2.0112.205.2	3	screw m 8 p.1.25 x 16
4	0.010.4493.3/30	1	lever
4.2	2.1559.276.0/10	2	bushing 16x20x15
5	2.1311.010.2	1	flat washer 16
6	2.1430.013.7	1	circlip 15
8	0.010.4491.2/20	1	rod
9	2.1690.206.2	1	split pin 2x16
10	2.3519.014.2/10	1	fork
11	2.1011.105.2	1	nut m 8 p.1.25



9_79068_00_0_0

REAR AXLE - STANDARD TYPE

Fig.	Code	QTY	Name
1	0.467.4410.0/10	2	wheel support
4	0.255.4451.0	2	cup
8	2.3821.103.2	2	lubricator m 10 p.1



9_70544_10_0_0

Section: REAR AXLE

REAR BRAKES

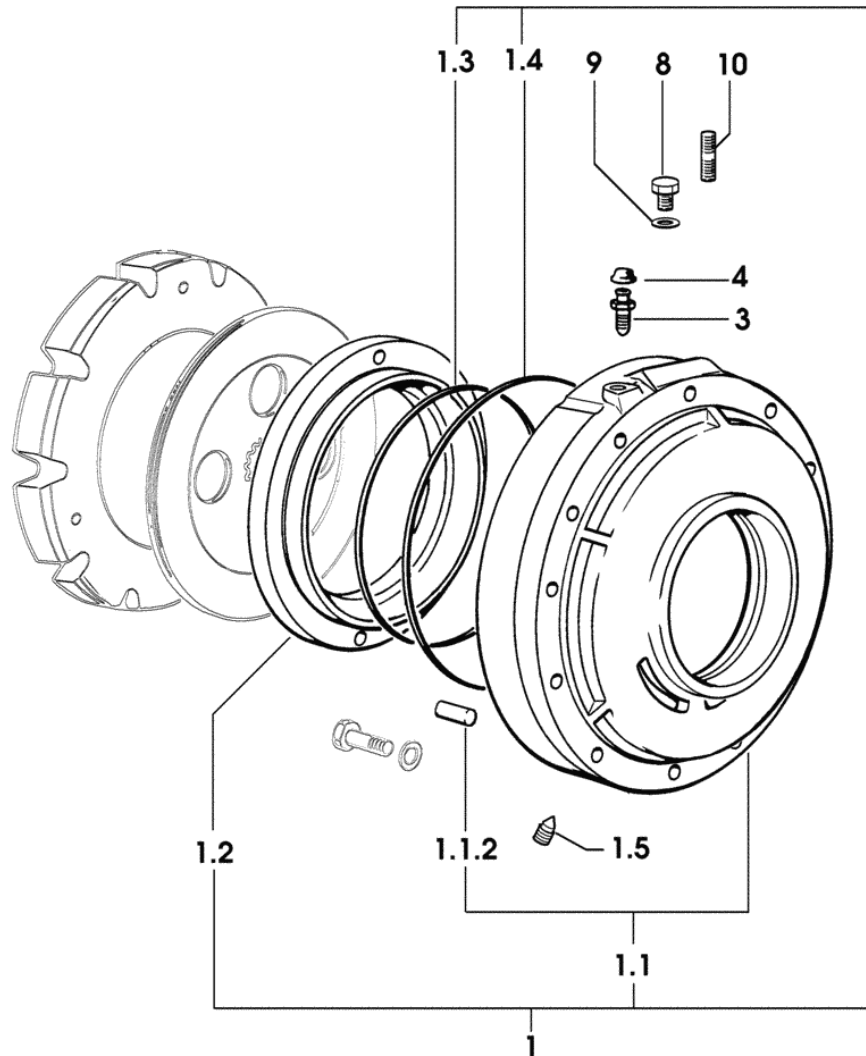
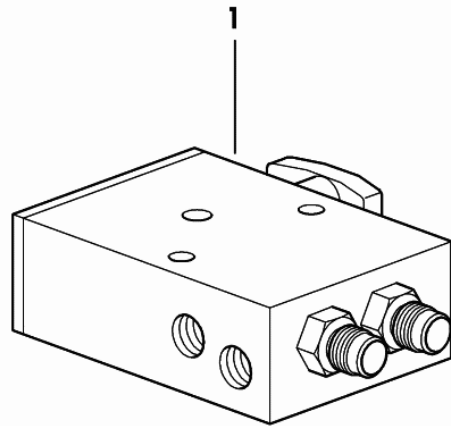


Fig.	Code	QTY	Name
1	0.000.0000.1	0	not serviceable
1.1	0.008.5162.3/80	1	box
1.1.2	2.1699.470.0	2	pin 14x32
1.2	0.008.5272.0/10	1	piston
1.3	2.1539.177.0	1	'o' ring Ø 171.04 x 3.53
1.4	2.1539.118.0	1	'o' ring Ø 221.84 x 3.53
1.5	2.3139.013.7	1	plug m12x1,25
3	0.170.5455.0	2	valve
4	2.3199.039.0	2	plug 6.50 x 7.25
8	2.3110.301.1	1	plug m 10 p.1.5x8
9	2.1560.005.0	1	gasket 10.2 x 14
10	2.0439.222.7	1	stud bolt m 10 x 22, d933

9_64854_10_0_0

Section: REAR AXLE
BRAKES CONTROL VALVE

Fig.	Code	QTY	Name
1	0.445.4351.4/30	1	valve



9_49066_12_0_0

Section: S.A.C.

LIFTING

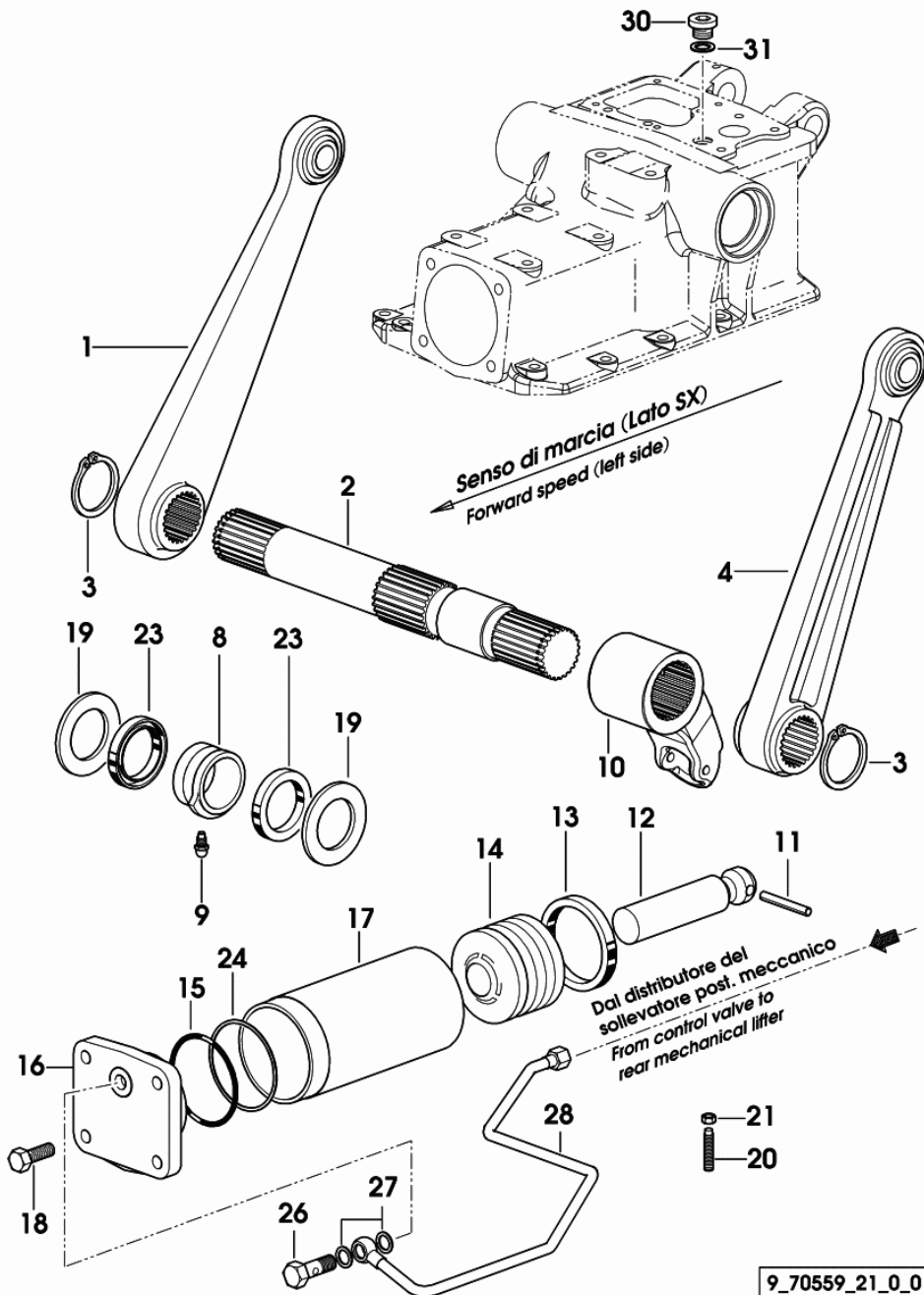


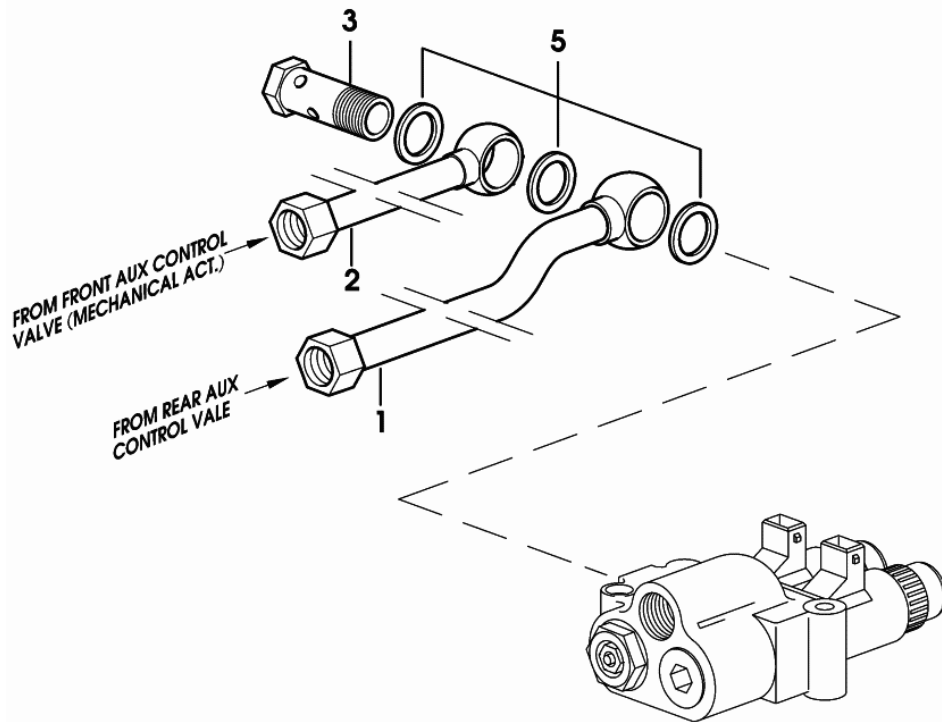
Fig.	Code	QTY	Name
28	0.010.9335.3	1	tube
30	2.3120.002.4	1	plug m 22 x 1.5
31	2.1560.017.0	1	gasket 22.2 x 27

REGULATING DISTRIBUTOR WITH ELECTRONIC CONTROL

Fig.	Code	QTY	Name
------	------	-----	------

Notes:

-> 1092 X AgroCompact F60 -> 1020 X AgroCompact 70F3 -> 1120 X AgroCompact 70F4 -> 1133 X AgroCompact F80 -> 1051 X AgroCompact F90 - WITH MECHANICALLY CONTROLLED FRONT AUXILIARY CONTROL VALVE



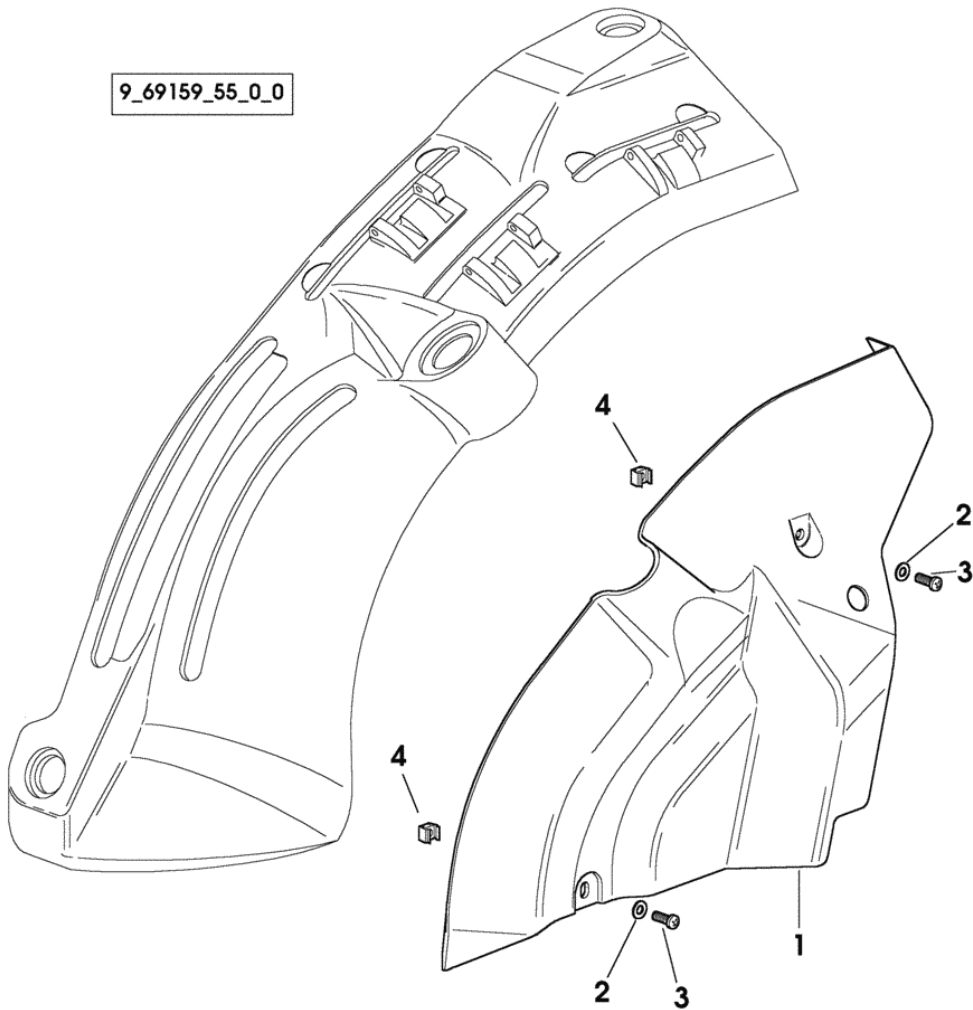
1	0.011.2373.3	1	tube
2	0.011.9570.3	1	tube
3	2.3339.828.2/10	1	pipe union m 22 p.1.5x56
5	2.1560.018.0	3	gasket 22.2 x 29

9_21059_32_0_0

CONTROL CONSOLE - LOWER PART - FOR MODELS WITHOUT CAB - X 20"

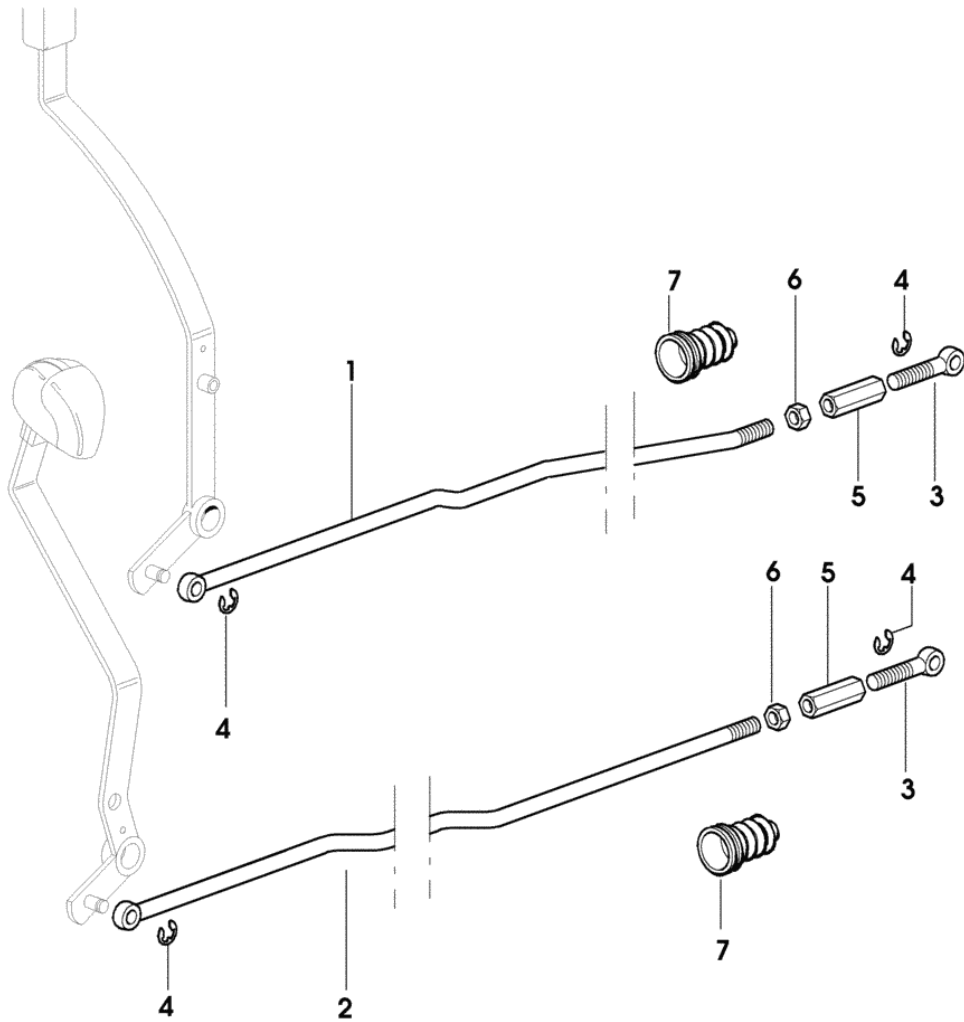
Fig.	Code	QTY	Name
1	0.010.5353.0/20	1	consolle
2	0.9125.662.0	2	washer 6.4 x 12.5
3	2.0332.406.3	2	screw m 6 p.1.0 x 16
4	2.6999.031.2	2	special nut m 6

9_69159_55_0_0



CONTROL TIE RODS AND LEVERS - FOR 28" PLATFORM

Fig.	Code	QTY	Name
1	0.010.6809.0	1	rod
2	0.010.6810.0	1	rod
3	0.010.4186.0	2	tip m 8
4	2.1430.007.2	4	circlip 6, d128
5	2.1099.139.2/10	2	nut m 8
6	2.1019.127.2	2	nut m 8 p.1.25 x 6.8, sx/lh/li
7	0.009.8175.0/10	2	bellows



9_70559_53_0_0

POWER STEERING

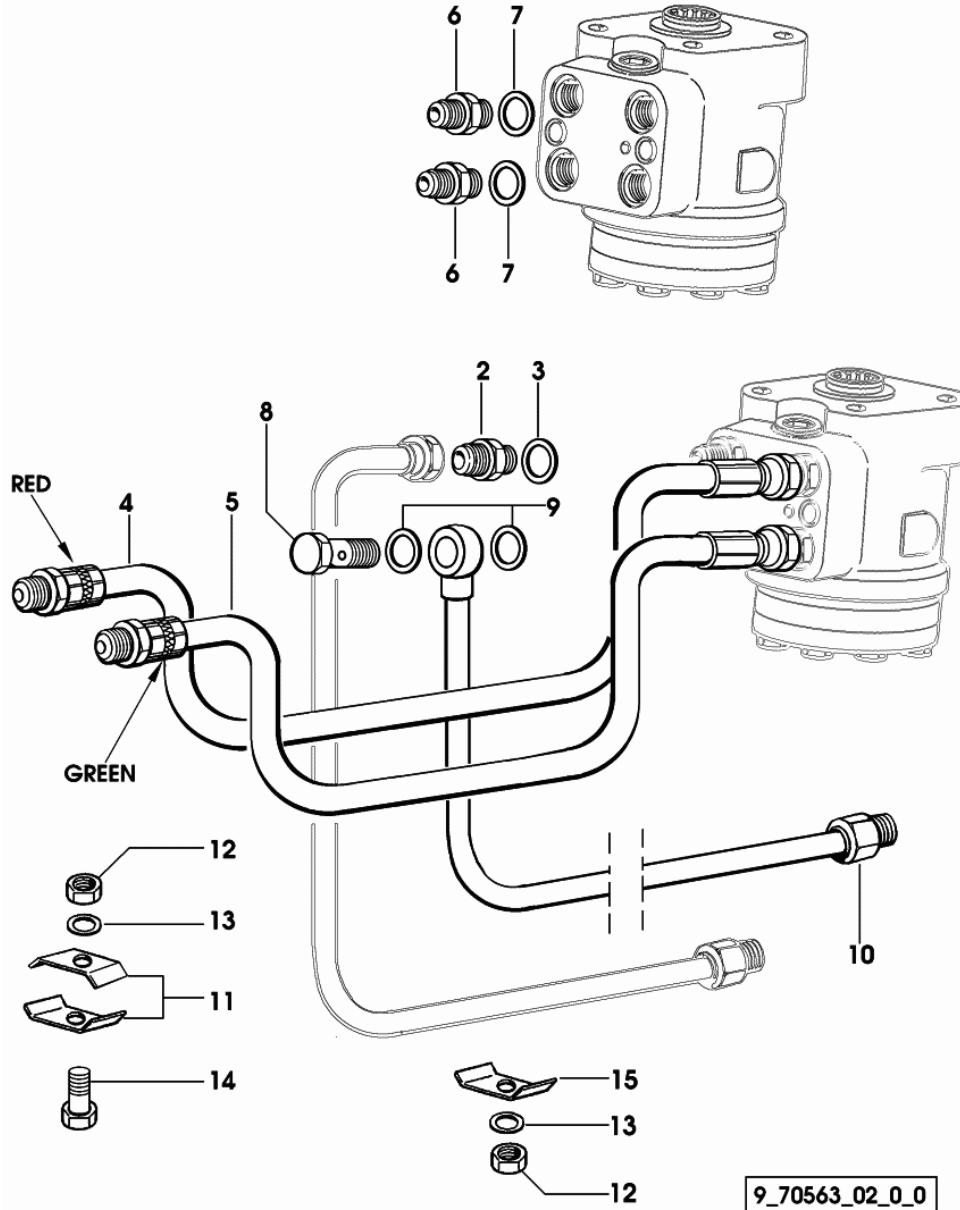


Fig.	Code	QTY	Name
2	2.3261.010.2	1	pipe fitting m 18 p.1.5 - 7/8" 14
3	2.1560.014.0	1	gasket 18.2 x 24 x 1.5
4	0.010.9351.3	1	tube mm 560 - sx/lh/li
5	0.010.9350.3	1	tube mm 560 - dx/rh/re
6	2.3339.395.2	2	pipe fitting m 18 p.1.5-9/16"
7	2.1560.014.0	2	gasket 18.2 x 24 x 1.5
8	2.3335.008.2	1	pipe union m 18 p.1.5 x 32
9	2.1560.014.0	2	gasket 18.2 x 24 x 1.5
10	0.010.9349.3/10	1	tube 1075 <- X AgroCompact F60 (...) <- X AgroCompact 70F3 1084 <- X AgroCompact 70F4 1098 <- X AgroCompact F80 1036 <- X AgroCompact F90
10	0.011.8445.3	1	tube -> 1076 X AgroCompact F60 -> (...) X AgroCompact 70F3 -> 1085 X AgroCompact 70F4 -> 1099 X AgroCompact F80 -> 1037 X AgroCompact F90
11	0.010.8193.0	3	bracket 1075 <- X AgroCompact F60 (...) <- X AgroCompact 70F3 1084 <- X AgroCompact 70F4 1098 <- X AgroCompact F80 1036 <- X AgroCompact F90
11	0.010.8193.0	2	bracket -> 1076 X AgroCompact F60 -> (...) X AgroCompact 70F3 -> 1085 X AgroCompact 70F4 -> 1099 X AgroCompact F80 -> 1037 X AgroCompact F90
12	2.1011.105.2	2	nut m 8 p.1.25
13	2.1310.004.2	3	flat washer 8.5
14	2.0112.211.2	1	screw m 8 p.1.25 x 30
15	0.011.8563.0	1	small plate -> 1076 X AgroCompact F60 -> (...) X AgroCompact 70F3 -> 1085 X AgroCompact 70F4 -> 1099 X AgroCompact F80 -> 1037 X AgroCompact F90

PUMP FILTER SUCTION

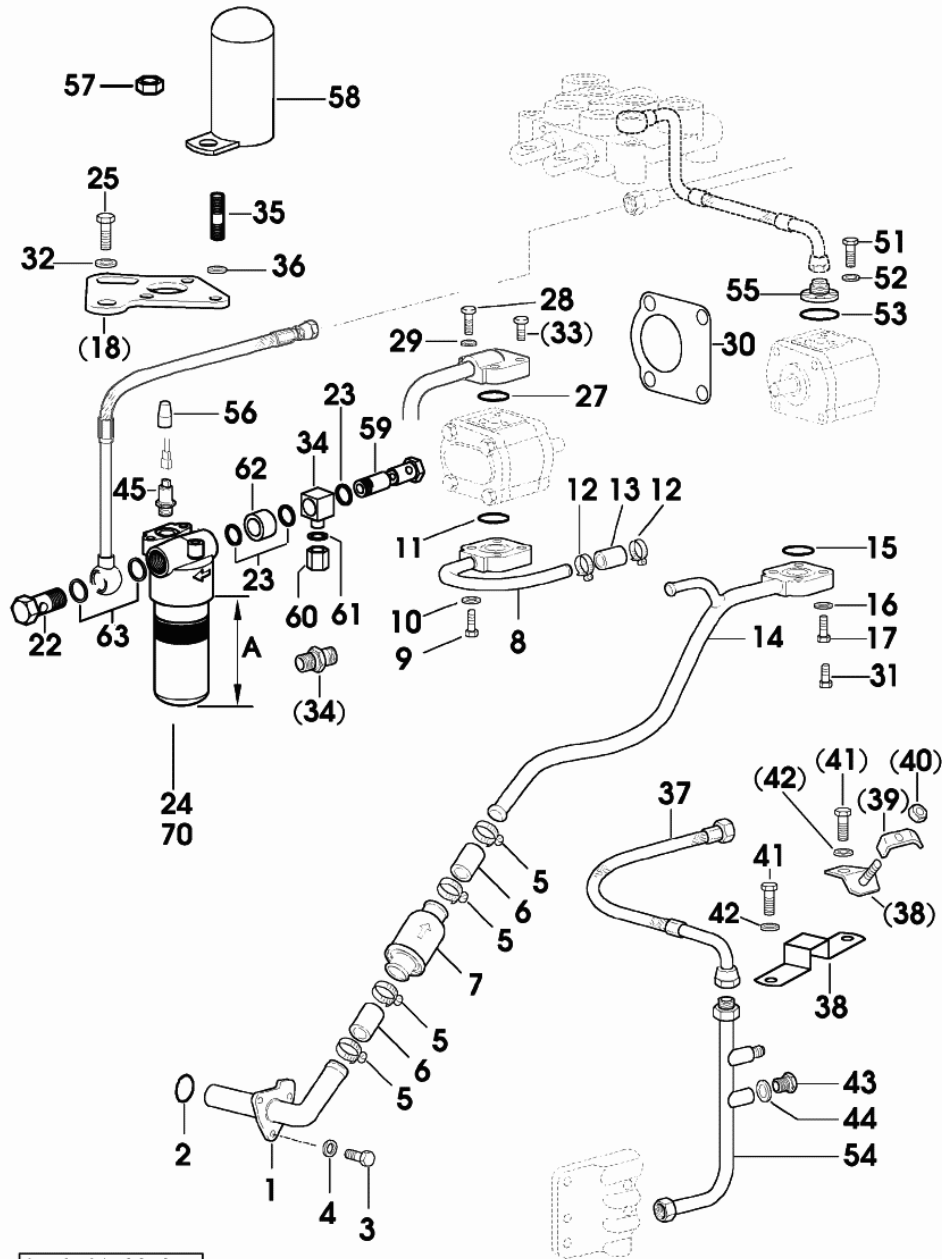


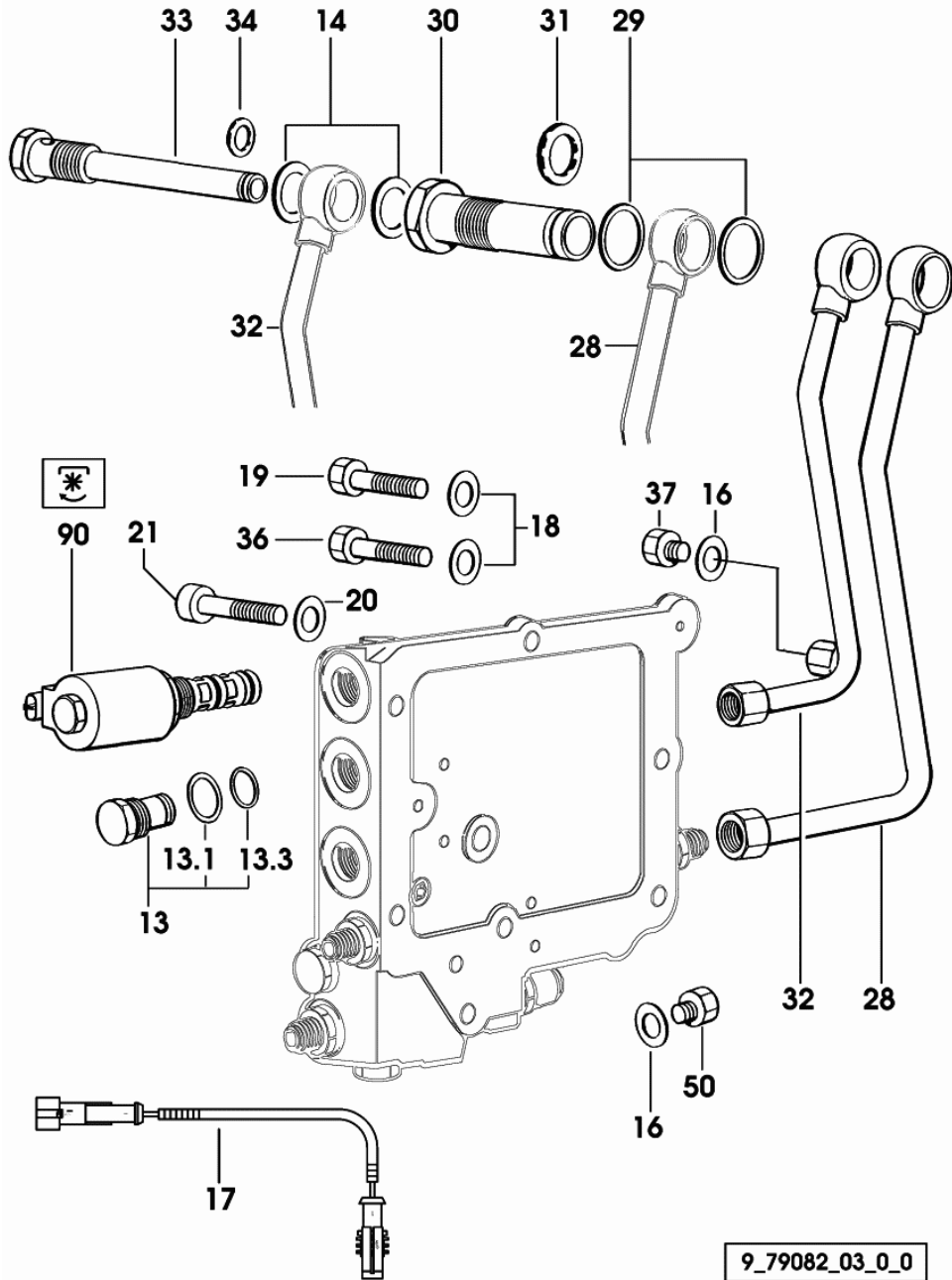
Fig.	Code	QTY	Name
37	0.010.9187.3	1	tube 1075 <- X AgroCompact F60 (...) <- X AgroCompact 70F3 1084 <- X AgroCompact 70F4 1098 <- X AgroCompact F80 1036 <- X AgroCompact F90
37	0.011.8441.3	1	tube -> 1076 X AgroCompact F60 -> (...) X AgroCompact 70F3 -> 1085 X AgroCompact 70F4 -> 1099 X AgroCompact F80 -> 1037 X AgroCompact F90
38	0.010.8192.3	1	bracket 1075 <- X AgroCompact F60 (...) <- X AgroCompact 70F3 1084 <- X AgroCompact 70F4 1098 <- X AgroCompact F80 1036 <- X AgroCompact F90
38	0.011.8415.0/10	1	bracket -> 1076 X AgroCompact F60 -> (...) X AgroCompact 70F3 -> 1085 X AgroCompact 70F4 -> 1099 X AgroCompact F80 -> 1037 X AgroCompact F90
39	0.176.6359.0	1	clamp 1075 <- X AgroCompact F60 (...) <- X AgroCompact 70F3 1084 <- X AgroCompact 70F4 1098 <- X AgroCompact F80 1036 <- X AgroCompact F90
40	2.1011.103.2	1	nut m 6 p.1 1075 <- X AgroCompact F60 (...) <- X AgroCompact 70F3 1084 <- X AgroCompact 70F4 1098 <- X AgroCompact F80 1036 <- X AgroCompact F90
41	2.0112.305.2	1	screw m 10 p.1.5 x 16
42	2.1470.006.2	2	lock washer 10
43	2.3110.422.2	1	plug m 12
44	2.1560.008.0	1	gasket 12.2 x 18
45	2.7099.700.0	1	pressure switch
51	2.0312.105.2	4	screw m 6 p.1 x 18
52	2.1480.012.2	4	washer 6, d128
53	2.1531.052.0	1	'o' ring 20.29 x 2.62

9_70582_00_0_A

OIL FLOW CONTROL VALVE CASING - MECHANICAL CONTROLS

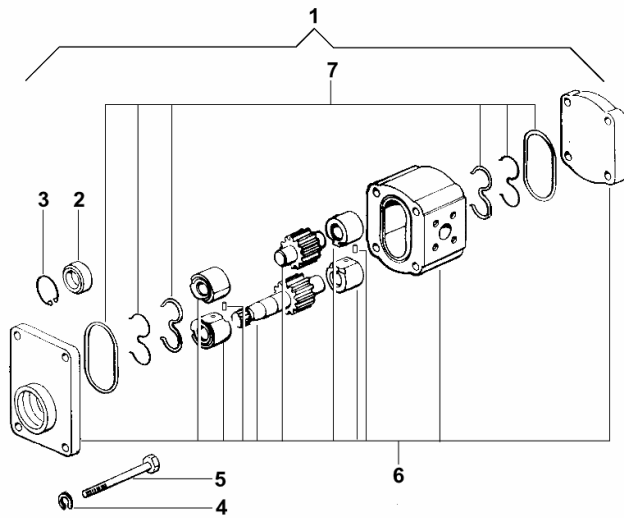
Fig.	Code	QTY	Name
------	------	-----	------

06.00.26



HYDRAULIC PUMP PARTS

Fig.	Code	QTY	Name
1	2.4529.950.0	1	hydraulic pump 11 cc sx/lh/li - BOSCH -
2	0.009.4046.1	1	'o' ring
3	2.1411.012.1	1	circlip 30x1.2, din 472
4	0.000.0000.1	0	not serviceable
5	0.000.0000.1	0	not serviceable
6	0.000.0000.1	0	not serviceable
7	2.4529.330.1/10	0	seal ring kit

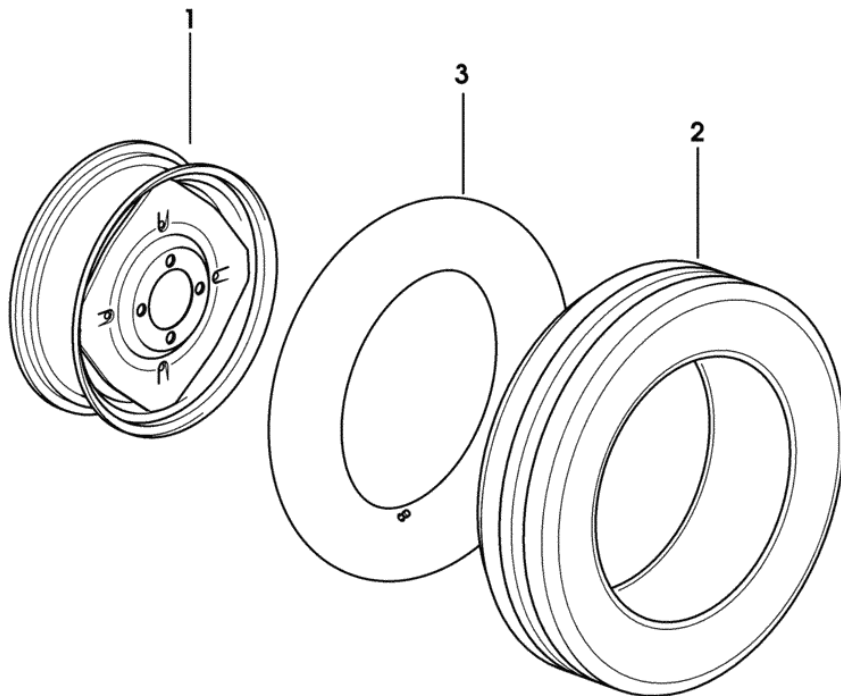


2_4529_950_0

Section: WHEELS

WHEELS 7.50 x 16" pr 8

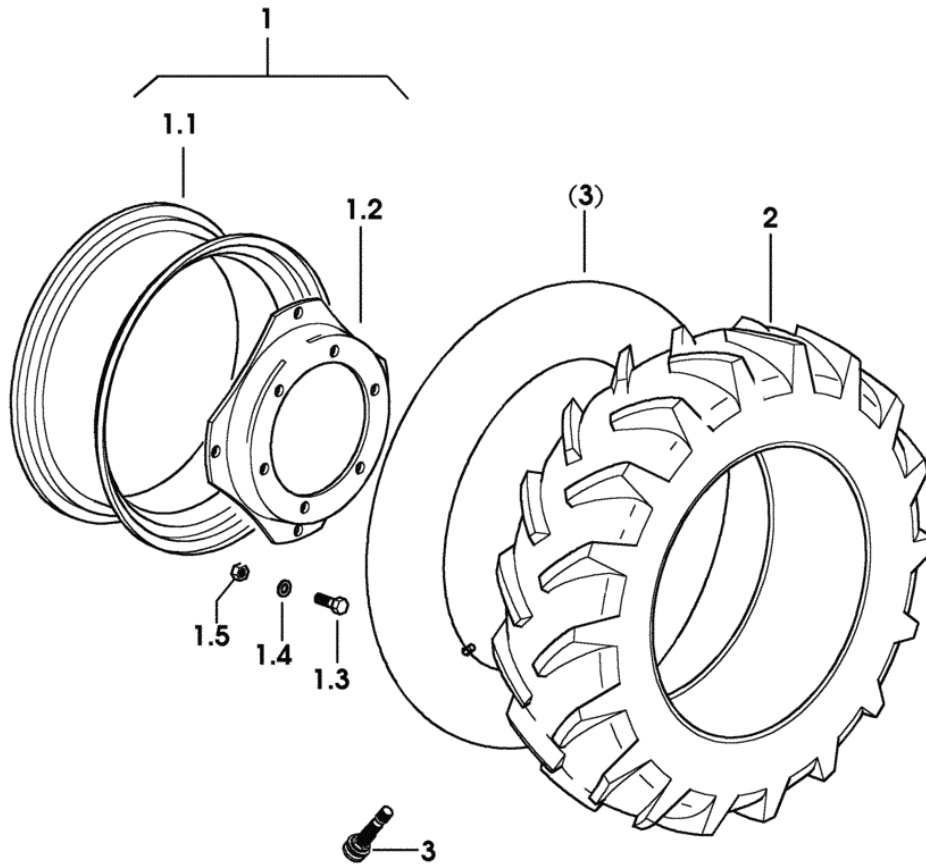
Fig.	Code	QTY	Name
1	0.012.3069.3	2	rim 5.50Fx16"
2	2.4810.029.0	2	tyre 7.50 x 16" pr 8
3	2.4820.006.0	2	air chamber 7.50 x 16"



9_78555_11_0_0

Section: WHEELS
WHEELS 260/70 R16"

Fig.	Code	QTY	Name
1	0.000.0000.1	0	not serviceable
1.1	0.012.2856.3	1	rim W 8x16"
1.2	0.010.7432.0/10	1	rim center flange
1.3	2.0122.521.6	4	screw m 14 p.1.5 x 60
1.4	2.1475.105.6	4	conical washer 15 x 27
1.5	2.1011.308.6	4	nut m 14 p.1.5
2	2.4811.125.0	2	tyre 260/70 R16"
3	2.4820.107.0	2	air chamber (...) <- X AgroCompact F60 (...) <- X AgroCompact 70F3 (...) <- X AgroCompact 70F4 (...) <- X AgroCompact F80 (...) <- X AgroCompact F90
3	0.012.6364.0	2	valve -> (...) X AgroCompact F60 -> (...) X AgroCompact 70F3 -> (...) X AgroCompact 70F4 -> (...) X AgroCompact F80 -> (...) X AgroCompact F90



9_78555_22_0_0

CLICK HERE TO **DOWNLOAD** THE COMPLETE MANUAL

- Thank you very much for reading the preview of the manual.
- You can download the complete manual from: www.heydownloads.com by clicking the link below



- Please note: If there is no response to CLICKING the link, please download this PDF first and then click on it.

CLICK HERE TO **DOWNLOAD** THE COMPLETE MANUAL