

## Agrocompact F100 (20")

### ACCESSORIES

#### GENERAL

AUXILIARY FRONT HYDRAULIC DISTRIBUTOR WITH 4 OIL WAYS - FOR MODELS WITHOUT CAB.....	0E.00.1
PIPES FOR 6-WAY FRONT CONTROL VALVE - FOR MODELS WITH CAB.....	0E.00.3
4-WAY AUXILIARY DISTRIBUTOR.....	0E.00.4
CONTROLS FOR 4-WAY FRONT AUXILIARY SERVICES CONTROL VALVE.....	0E.00.5
KNOBS FOR 4-WAY AUXILIARY SERVICES CONTROL VALVE.....	0E.00.6
6-WAY AUXILIARY DISTRIBUTOR.....	0E.00.7
6-WAY AUXILIARY DISTRIBUTOR.....	0E.00.8
6-WAY AUXILIARY DISTRIBUTOR.....	0E.00.9
BRACKETS FOR 6-WAY AUXILIARY SERVICES CONTROL VALVE.....	0E.00.10
4-WAY AUXILIARY DISTRIBUTOR.....	0E.00.11
6-WAY AUXILIARY DISTRIBUTOR.....	0E.00.12
6-WAY AUXILIARY DISTRIBUTOR.....	0E.00.13
4 - 6 - WAY DISTRIBUTOR EQUIPMENT.....	0E.00.14
4 - 6 - WAY DISTRIBUTOR EQUIPMENT.....	0E.00.15
CONTROLS FOR 4-WAY AUXILIARY SERVICES CONTROL VALVE.....	0E.00.16
CONTROLS FOR 6-WAY AUXILIARY SERVICES CONTROL VALVE.....	0E.00.20
6-WAY AUXILIARY DISTRIBUTOR WITH ELECTRONIC LIFT.....	0E.00.21
THREE-POINT COUPLING - TOP/LOWER LINK.....	0E.00.28
THREE-POINT COUPLING - TOP/LOWER LINK - AUTOM.....	0E.00.29
THREE-POINT COUPLING - TOP/LOWER LINK - AUTOM. - FOR NARROW CRAMER TOW HOOK.....	0E.00.30
3 POINT HITCH.....	0E.00.31
3-POINT HITCH - ADJUSTABLE RH RODS.....	0E.00.32
3-POINT HITCH - ADJUSTABLE RH RODS - FOR NARROW CRAMER TOW HOOK.....	0E.00.33
3-POINT HITCH WITH HYDRAULIC LIFT ROD.....	0E.00.34
3-POINT HITCH WITH ELECTRO-HYDRAULIC ADJUSTMENT.....	0E.00.35
3-POINT HITCH WITH ELECTRO-HYDRAULIC ADJUSTMENT.....	0E.00.36
3-POINT HITCH WITH ELECTRO-HYDRAULIC ADJUSTMENT.....	0E.00.37
3-POINT HITCH WITH ELECTRO-HYDRAULIC ADJUSTMENT - FOR NARROW CRAMER TOW HOOK.....	0E.00.38
TOWING BAR 2 cat.....	0E.00.39
REAR OSCILLATING HITCH.....	0E.00.40
REAR TOWING HITCH CAT: "C".....	0E.00.41
FRAME HOOK HOLDER.....	0E.00.42
FRAME HOOK HOLDER GRASSI.....	0E.00.43
REAR TOWING HITCH.....	0E.00.45
REAR TOWING HITCH.....	0E.00.47
REAR TOWING HITCH.....	0E.00.48
REAR TOWING HITCH CAT: "C" GRASSI.....	0E.00.49
REAR TOWING HITCH SCHARMULLER.....	0E.00.50
REAR TOWING HITCH CAT: "D" GRASSI.....	0E.00.51
REAR TOWING HITCH CAT: "D".....	0E.00.52

CLICK HERE TO **DOWNLOAD** THE COMPLETE MANUAL

- Thank you very much for reading the preview of the manual.
- You can download the complete manual from: [www.heydownloads.com](http://www.heydownloads.com) by clicking the link below



- Please note: If there is no response to CLICKING the link, please download this PDF first and then click on it.

CLICK HERE TO **DOWNLOAD** THE COMPLETE MANUAL

**6-WAY AUXILIARY DISTRIBUTOR**

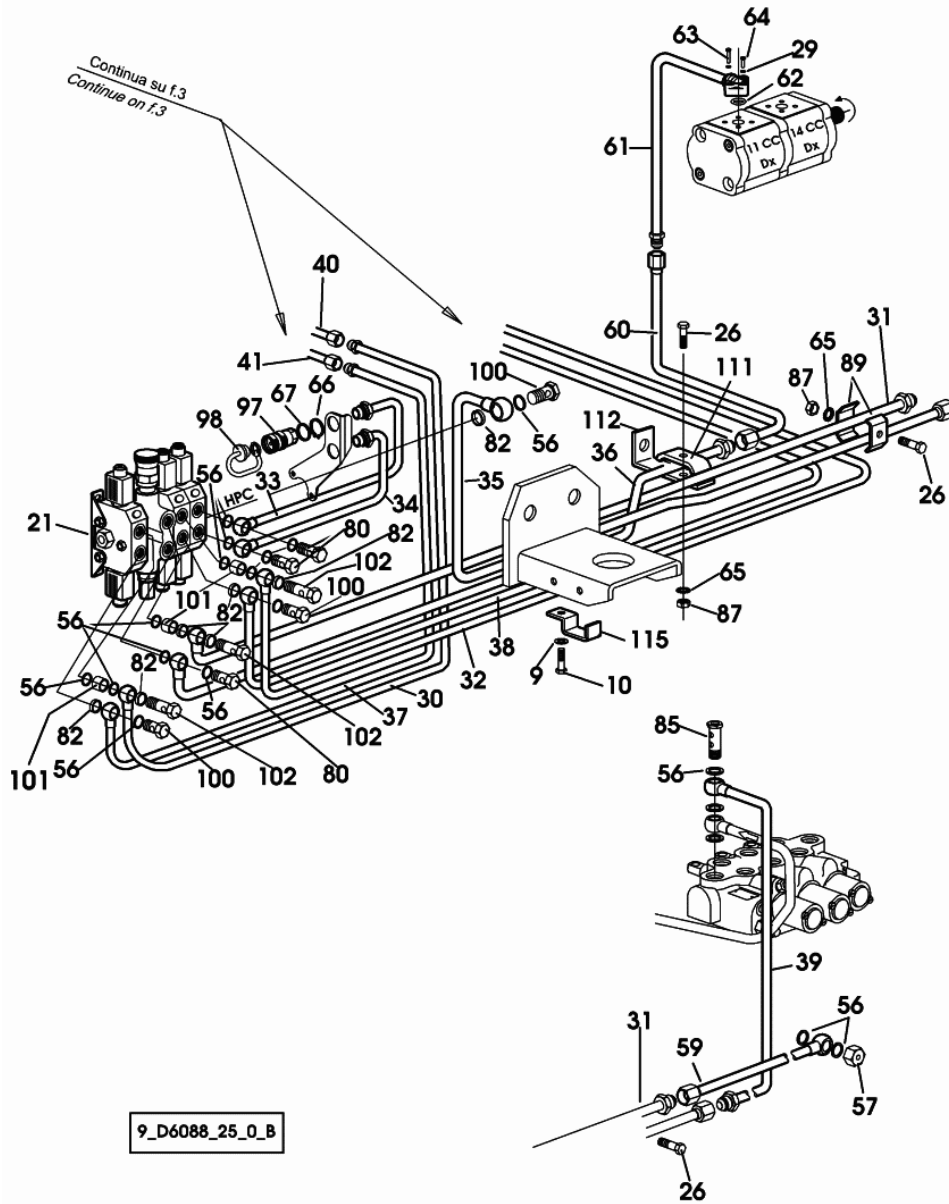


Fig.	Code	QTY	Name
9	2.1310.004.2	7	flat washer 8.5
10	2.0112.210.2	4	screw m 8 p.1.25 x 28
21	2.3729.500.0	1	distributor
			COMPONENT PARTS SEE COMPONENTS LIST
			☞ 2.3729.500.0
			☞ 0E.00.94
26	2.0112.011.2	10	screw m 6 p.1x30
29	2.1480.012.2	4	washer 6, d128
30	0.012.0109.3/10	1	tube
31	0.012.0110.3	1	tube
32	0.012.0111.3/20	1	tube
33	0.012.0112.3/10	1	tube
34	0.012.0113.3/10	1	tube
35	0.014.0450.3/10	1	tube
36	0.012.0115.3	1	tube
37	0.012.0116.3/10	1	tube
38	0.012.0117.3/20	1	tube
39	0.012.0118.3	1	tube
40	0.012.0119.3/20	1	tube
41	0.012.0120.3/20	1	tube
56	2.1560.014.0	27	gasket 18.2 x 24 x 1.5
57	2.1099.145.2/10	2	special nut m 18 p.1.5
59	0.010.9467.3	1	tube
60	0.010.9464.3	1	tube
61	0.010.9463.3	1	tube
62	2.1531.048.0	1	'o' ring 18.72x2.62
63	2.0312.112.2	2	screw m 6 p.1 x 35
64	2.0312.104.2	2	screw m 6 p.1 x 16
65	2.1470.002.2	15	washer 6, d128
66	2.1410.011.7	10	circlip 28
67	2.1560.054.0	10	gasket 21 x 26
80	2.3335.008.2	3	pipe union m 18 p.1.5 x 32
82	2.1569.160.0	8	gasket 18.2x22x3.5
85	2.3339.485.2/10	1	pipe union m 18 p.1.5x55
87	2.1011.103.2	13	nut m 6 p.1
89	0.154.6377.0	9	terminal
97	0.98308.50.3/10	9	coupling
			COMPONENT PARTS SEE COMPONENTS LIST
			☞ 0.98308.50.3/10
			☞ 0E.00.95
98	0.013.7997.0	9	plug
100	2.3339.295.2/10	3	pipe union m 18 p.1.5 x 35

**4 - 6 - WAY DISTRIBUTOR EQUIPMENT**

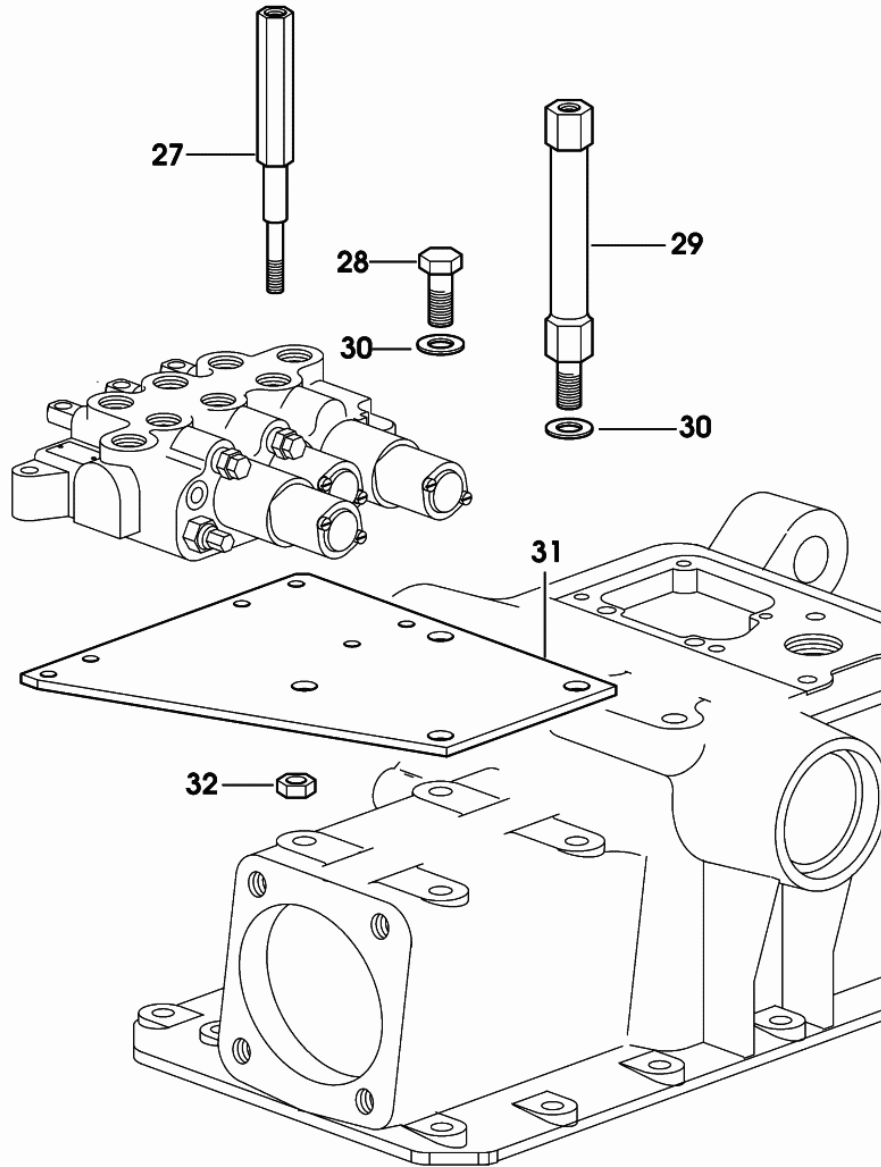
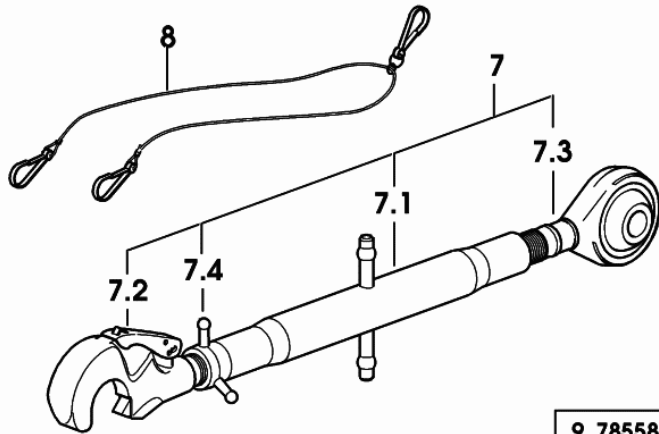


Fig.	Code	QTY	Name
27	0.010.8248.0	1	small column
28	2.0112.411.2	1	screw m 12 p.1.75 x 30
29	0.010.8250.0	2	small column
30	2.1310.007.2	3	flat washer 13.5
31	0.010.8247.3	1	plate
32	2.1011.105.2	1	nut m 8 p.1.25

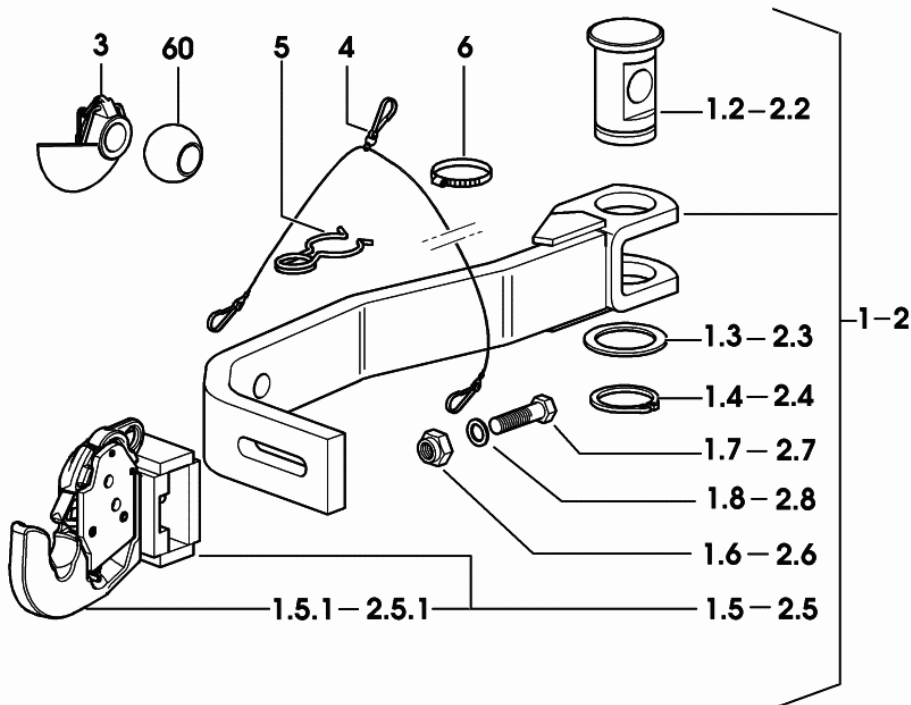
9\_B6188\_00\_0\_B

**THREE-POINT COUPLING - TOP/LOWER LINK - AUTOM. - FOR NARROW CRAMER TOW HOOK**



9\_78558\_03\_0\_A

Fig.	Code	QTY	Name
7	0.014.1414.4	1	3021 <- X Agrocompact 70F3 (20") 1027 <- X Agrocompact F75 (24"-28") 1007 <- X Agrocompact F75 (20") 3041 <- X Agrocompact F90 (24"-28") 3010 <- X Agrocompact F90 (20") 1035 <- X Agrocompact F100 (24"-28") 1013 3 point hitch -> 3025 X Agrocompact 70F3(24"-28") -> 3022 X Agrocompact 70F3(20") -> 1028 X Agrocompact F75(24"-28") -> 1008 X Agrocompact F75(20") -> 3042 X Agrocompact F90(24"-28") -> 3011 X Agrocompact F90(20") -> 1036 X Agrocompact F100(24"-28") -> 1014 X Ag
7.1	0.011.3994.3	1	sleeve
7.2	0.011.3988.3	1	rod 2 cat.- WALTERSCHEID - WALTERSCHEID COMPONENT PARTS SEE COMPONENTS LIST ☞ 0.011.3988.3 ☞ 0E.00.100
7.2	0.014.1412.3	1	rod 2 cat.-CBM- - CBM COMPONENT PARTS SEE COMPONENTS LIST ☞ 0.014.1412.3 ☞ 0E.00.101
7.3	0.760.3515.3	1	rod sx/lh/li
7.4	0.96014.57.0	1	wing nut m 27 p.3
8	0.009.3534.0	1	cable
60	0.760.5952.0	2	cap Ø 56



9\_70531\_35\_0\_0

Section: ACCESSORIES  
**REAR OSCILLATING HITCH**

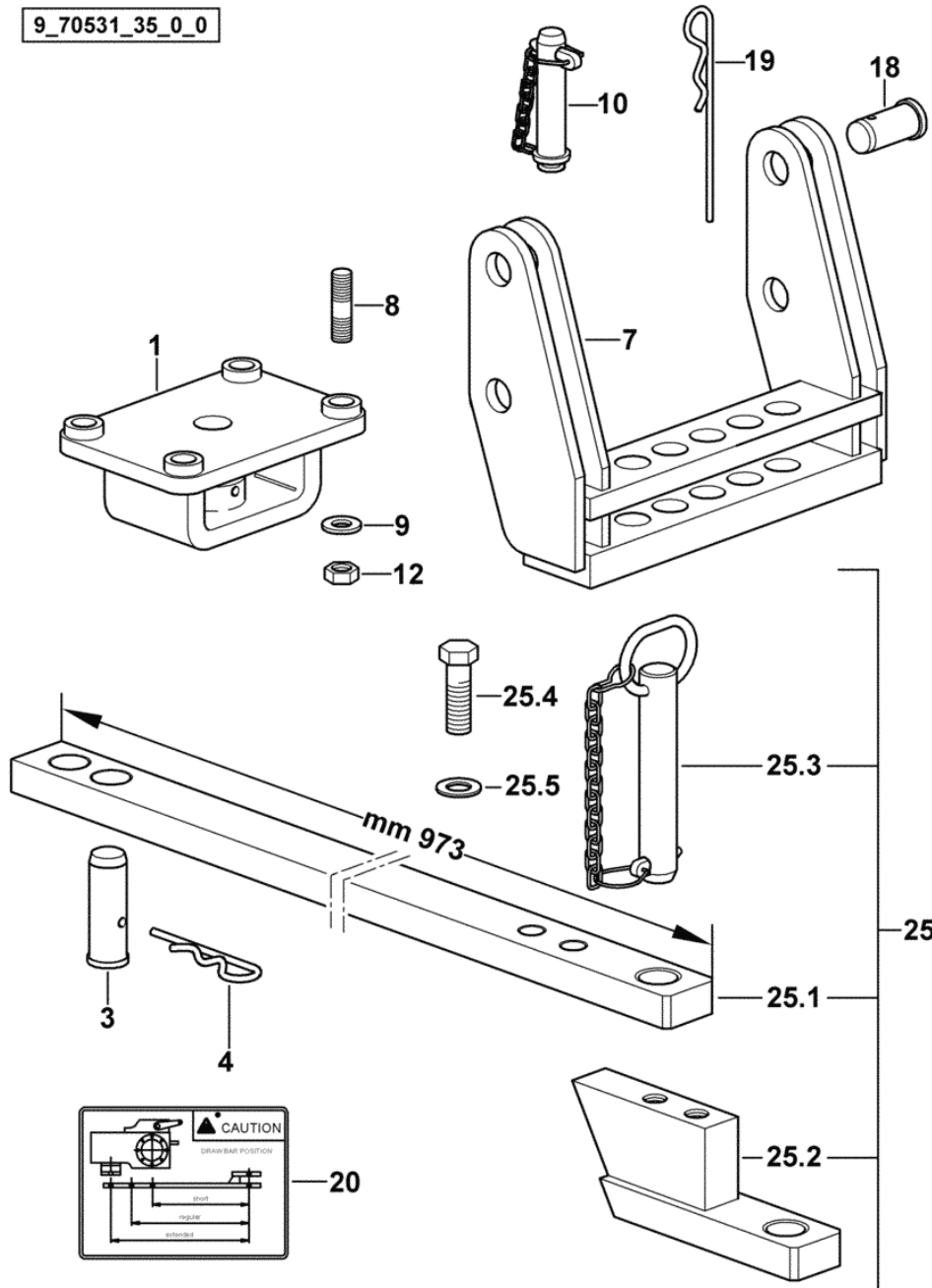


Fig.	Code	QTY	Name
1	0.009.8941.2/10	1	support
3	0.009.8943.0	1	pin
4	2.1699.072.2	1	pin
7	0.014.4507.2	1	sector
8	2.0432.411.7	4	stud bolt m 16 p.2-1.5x40
9	2.1499.019.6	4	washer 16.3 x 31.5
10	0.97303.24.3	2	pin
12	2.1011.409.2	4	nut m 16 p.1.5
18	0.467.3119.0/10	4	pin
19	2.1699.236.2	2	pin Ø 5
20	2.9939.051.0	1	plate
25	0.000.0000.1	0	not serviceable
25.1	0.009.8942.0/50	1	draw bar
25.2	0.008.0784.3	1	plate
25.3	0.97306.30.3/10	1	pin
25.4	2.0122.822.2	2	screw m 20 p.1.5x65
25.5	2.1475.108.2	2	spring washer 20

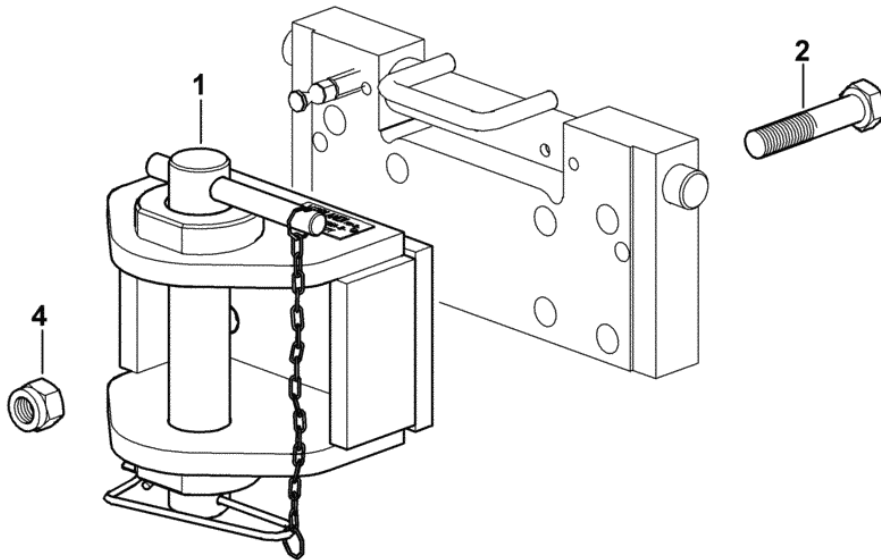
**REAR TOWING HITCH CAT: "D"**

Fig.	Code	QTY	Name
------	------	-----	------

**Notes:**

-> 3049 X Agrocompact 70F3(24"-28") -> 5010 X Agrocompact 70F3(20") -> 3003 X Agrocompact F75(24"-28") -> 5010 X Agrocompact F75(20") -> 3093 X Agrocompact F90(24"-28") -> 5005 X Agrocompact F90(20") -> 1078 X Agrocompact F100(24"-28") -> 3002 X Ag

1	0.014.4451.3	1	tow hook V.ORLANDI CAT. " D " COMPONENT PARTS SEE COMPONENTS LIST ☞ 0.014.4451.3 ☞ 0E.00.116
2	2.0112.727.2	4	screw m 18 p.2.5 x 90
4	2.1129.014.2	4	nut m 18 p.2.5



9\_64831\_71\_0\_B

Section: ACCESSORIES

**HYDRAULIC BREAKING FOR TRAILER - ITALY -**

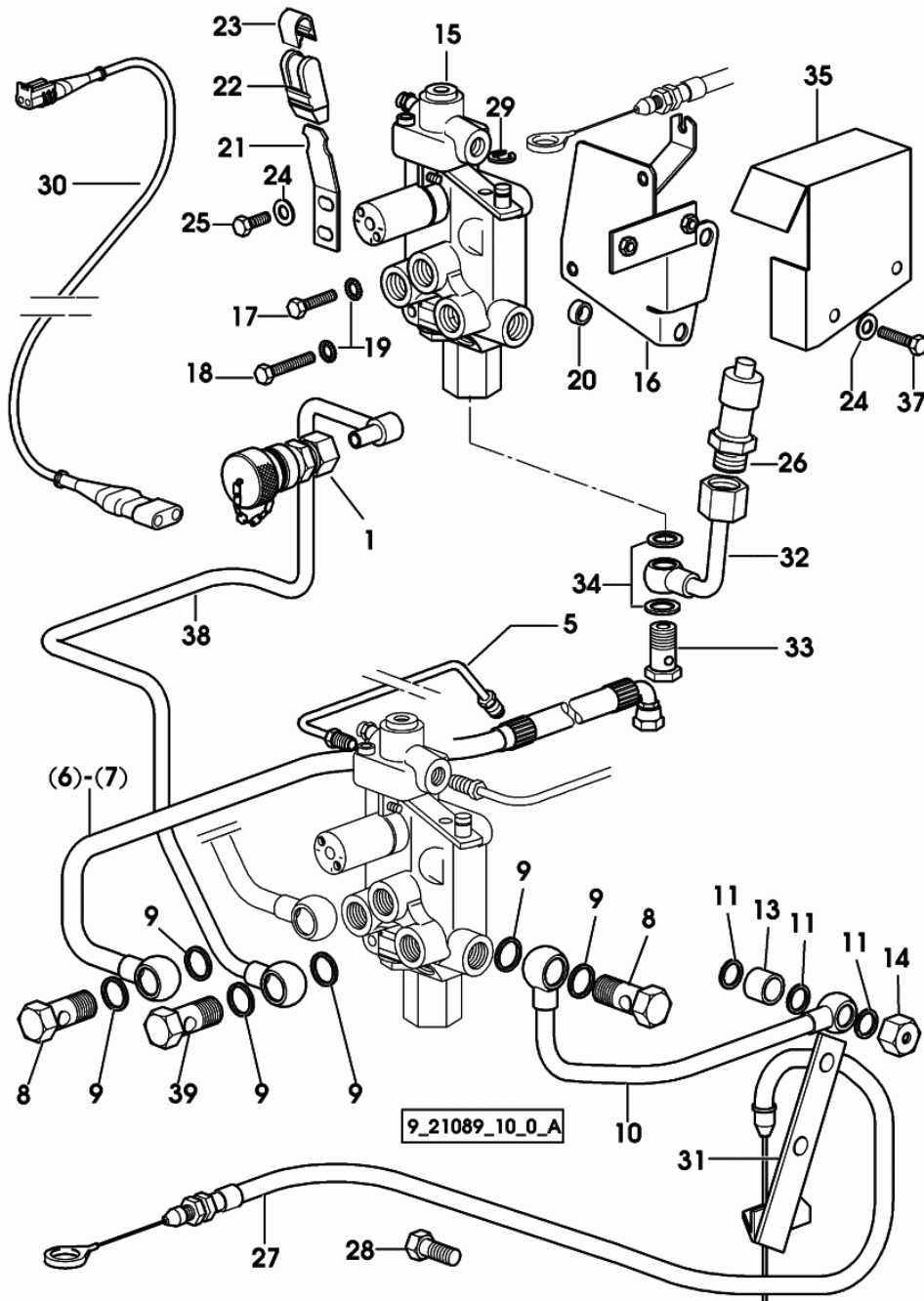
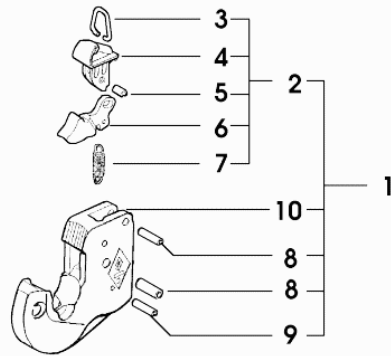


Fig.	Code	QTY	Name
1	0.97112.68.4/10	1	coupling m 20
5	0.011.3374.3/10	1	tube dx/rh/re
8	2.3335.009.2	3	pipe union m 22 p.1.5 x 39
9	2.1560.017.0	8	gasket 22.2 x 27
10	0.010.9600.3/10	1	tube
11	2.1560.014.0	3	gasket 18.2 x 24 x 1.5
13	2.1579.936.2	1	spacer 19x25x20
14	2.1099.145.2/10	1	special nut m 18 p.1.5
15	2.3719.810.0/10	1	valve
			COMPONENT PARTS SEE COMPONENTS LIST
			☞ 2.3719.810.0/10
			☞ 0E.00.120
16	0.011.2961.3/20	1	support
17	2.0112.213.2	1	screw m 8 p.1.25 x 35
18	2.0112.219.2	1	screw m 8 p.1.25x50
19	2.1470.004.2	2	washer 8
20	2.1579.765.2/10	1	spacer 12.5 x 18 x 8.0
21	0.009.8859.0	1	lever
22	0.007.5561.0	1	knob
23	0.007.5562.0	1	coupling
24	2.1310.004.2	4	flat washer 8.5
25	2.0112.204.2	2	screw m 8 p.1.25x14
26	2.7099.960.0	1	pressure switch 11 Bar
27	0.011.2962.3	1	rod L = mm 1155
28	2.0332.305.2	1	screw m 5 p.0.8 x 14
29	2.1430.007.7	1	circlip 6, d128
30	0.012.2103.3	1	wire L = mm 800
31	0.011.3165.2	1	bracket
32	0.011.3498.3	1	tube
33	2.3335.004.2	1	pipe union m 10 p.1
34	2.1560.005.0	2	gasket 10.2 x 14
35	0.011.3487.0/10	1	sump
37	2.0112.205.2	2	screw m 8 p.1.25 x 16
38	0.011.3376.3/10	1	tube
39	2.3319.062.2/20	1	pipe union m 22 p.1.5x32

Section: ACCESSORIES

**TOWING HITCH**

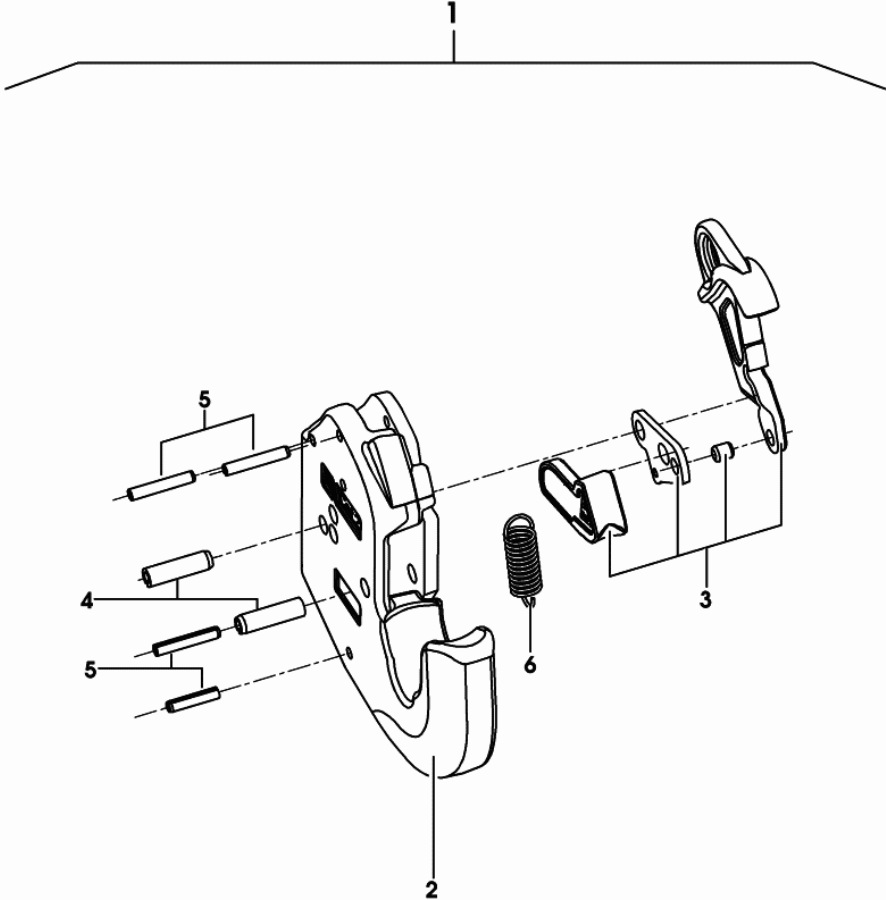
Fig.	Code	QTY	Name
1	0.010.1702.3	1	automatic hook 2 cat. - WALTERSCHEID
2	0.010.2190.0	1	support
3	0.010.2191.0	1	stop
4	0.010.2192.0	1	support
5	0.010.2193.0	1	pin
6	0.010.2194.0	1	lever
7	0.010.2195.0	1	spring
8	0.009.4677.1	2	pin 10x32
9	0.009.4677.2	1	pin 6 x 28
10	0.000.0000.1	0	not serviceable



010\_1702\_3

Section: ACCESSORIES  
**TOWING HITCH**

Fig.	Code	QTY	Name
1	0.014.1420.3	1	automatic hook 2 cat.-CBM-
2	0.000.0000.1	1	not serviceable
3	0.900.0270.5	1	accessories
4	0.900.0270.6	1	accessories
5	0.900.0270.7	1	accessories
6	0.900.0270.8	1	spring



0\_014\_1420\_3

**HYDRAULIC DISTRIBUTOR-PARTS**

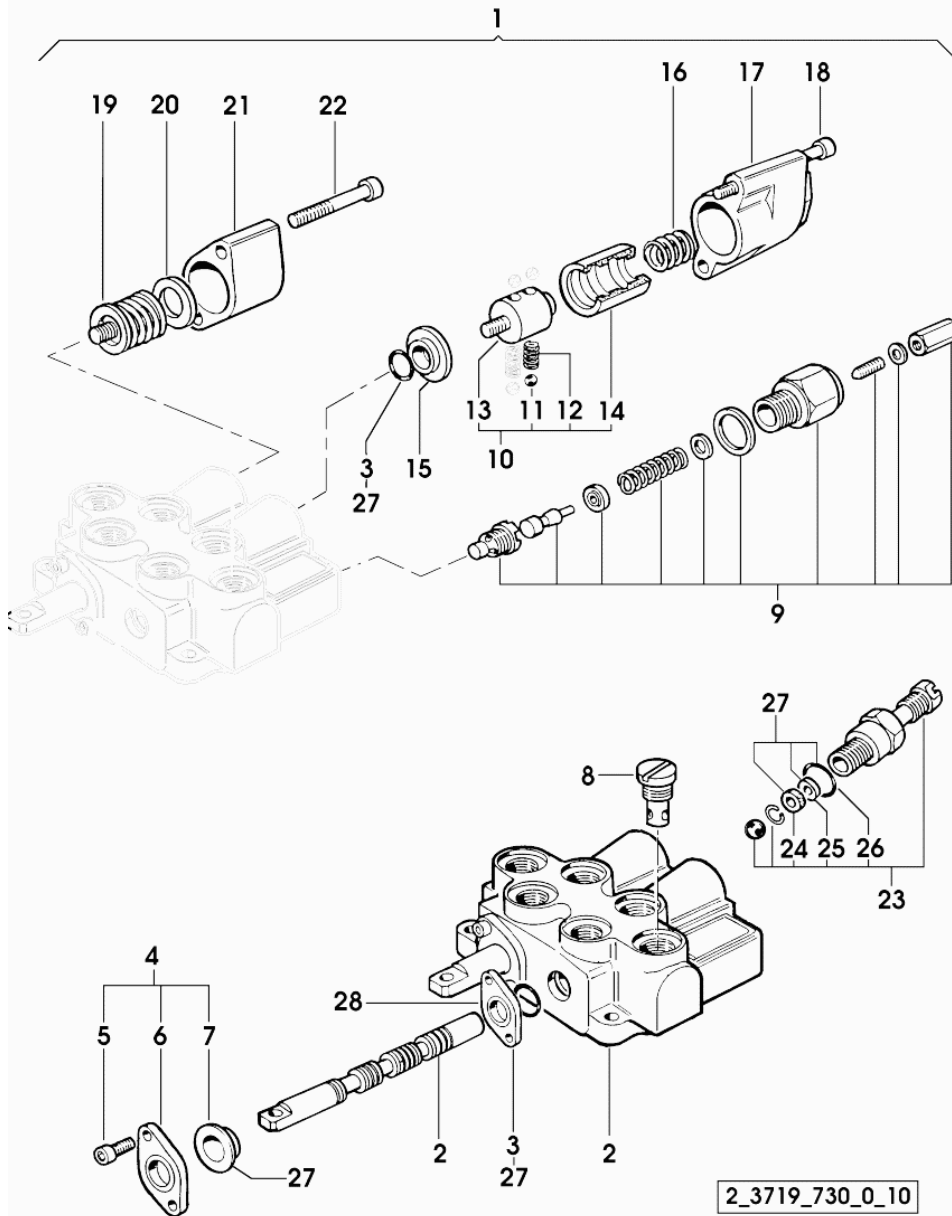


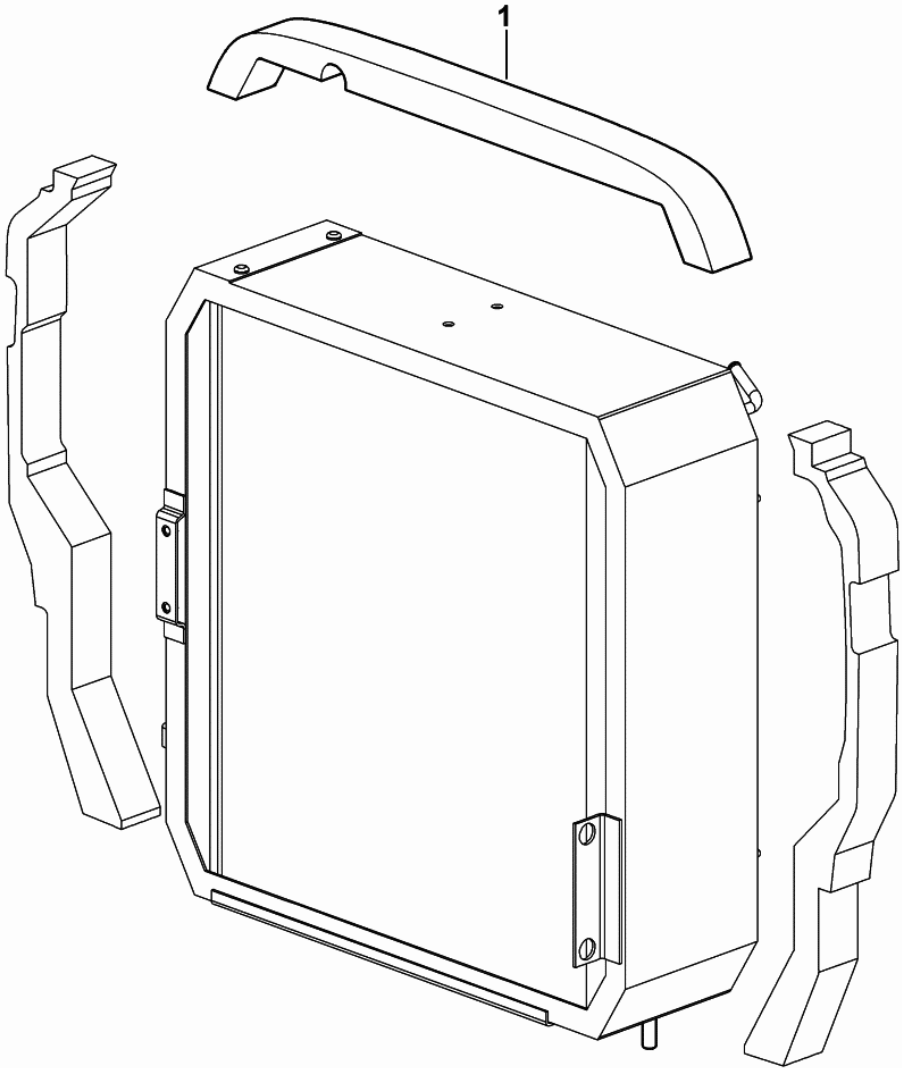
Fig.	Code	QTY	Name
1	2.3719.730.0/10	1	distributor
2	0.000.0000.1	0	not serviceable
3	0.010.2098.0	4	'o' ring
4	0.010.2098.1	2	cap
5	0.010.2098.2	4	screw
6	0.010.2099.0	2	small plate
7	0.010.2099.1	2	cup
8	0.010.2099.2	1	pipe union
9	0.010.2100.0	1	valve
10	0.010.2100.1	1	valve
11	0.010.2100.2	4	ball
12	0.010.2101.0	2	spring
13	0.010.2101.1	1	pin
14	0.010.2101.2	1	sleeve
15	0.010.2102.0	2	spacer
16	0.010.2102.1	1	spring
17	0.010.2102.2	1	small cap
18	0.010.2103.0	2	screw
19	0.010.2103.1	1	spring
20	0.010.2103.2	1	spacer
21	0.010.2104.0	1	small cap
22	0.010.2104.1	2	screw
23	0.010.2104.2	1	valve
24	0.010.2105.0	1	'o' ring
25	0.010.2105.1	1	ring
26	0.010.2105.2	1	ring
27	0.010.2106.0	1	gasket set
28	0.900.0016.4	2	gasket

2\_3719\_730\_0\_10

REARVIEW MIRROR - FOR TYPES WITH SAFETY FRAME.....	07.00.111
SAFETY ARCH.....	07.00.112
SAFETY ROLL BAR SUPPORTS.....	07.00.114
FUEL TANK.....	07.00.115
FUEL TANK.....	07.00.116
FUEL TANK - WITH RESERVE TANK.....	07.00.117
FUEL TANK - WITH FRONT PTO AND LIFT.....	07.00.118
FUEL TANK - WITH FRONT PTO AND LIFT.....	07.00.119
AUXILIARY TANK.....	07.00.120
AUXILIARY TANK.....	07.00.121
AUXILIARY TANK.....	07.00.122
AUXILIARY TANK.....	07.00.123
AUXILIARY TANK.....	07.00.126
AUXILIARY TANK.....	07.00.127
8" AIR CLEANER.....	07.00.128
AIR CLEANER HOSE.....	07.00.129
AIR CLEANER HOSE.....	07.00.130
AIR PRE-CLEANER.....	07.00.133
CYCLONE AIR CLEANER EXTENSION.....	07.00.134
ENGINE HOOD GASKETS.....	07.00.135
DRIVER'S SEAT - IN BLACK LEATHERETTE GRAMMER MSG83/8.....	07.00.136
DRIVER'S SEAT KAB XL2.....	07.00.137
DRIVER'S SEAT - IN GREY MATERIAL GRAMMER MSG83/8.....	07.00.138
DRIVER'S SEAT PNEUMATIC SPRINGING - IN GREY MATERIAL GRAMMER.....	07.00.139
DRIVER'S SEAT PNEUMATIC SPRINGING.....	07.00.140
SAFETY BELT.....	07.00.141
SEAT SUPPORT PLATE.....	07.00.142
SEAT SUPPORT PLATE.....	07.00.143
SEAT SPRINGING.....	0.010.5356.4.A
SEAT.....	0.010.5362.4.A
SEAT-COMPONENTS.....	0.010.6543.4/10.A
SEAT-COMPONENTS.....	0.010.6543.4/10.B
SEAT-COMPONENTS.....	0.010.8687.4/10.A
SEAT-COMPONENTS.....	0.010.8687.4/10.B
SEAT-COMPONENTS.....	0.010.8721.4/10.A
SEAT-COMPONENTS.....	0.010.8721.4/10.B
SEAT-COMPONENTS.....	0.011.2161.4/10.A
SEAT-COMPONENTS.....	0.011.2161.4/10.B
SEAT-COMPONENTS.....	0.012.4782.4/10.A
COOLING SYSTEM EXPANSION TANK.....	0.013.6322.4/20.A
REARVIEW MIRROR.....	0.9234.147.4/10.A
PRE-FILTER - COMPONENTS.....	2.4239.110.0.A
AIR FILTER PARTS.....	2.4249.600.0.A

Section: BODY WORK  
**ENGINE HOOD GASKETS**

Fig.	Code	QTY	Name
1	0.013.4023.0/20	1	gasket



9\_B6172\_15\_0\_0

Section: BODY WORK

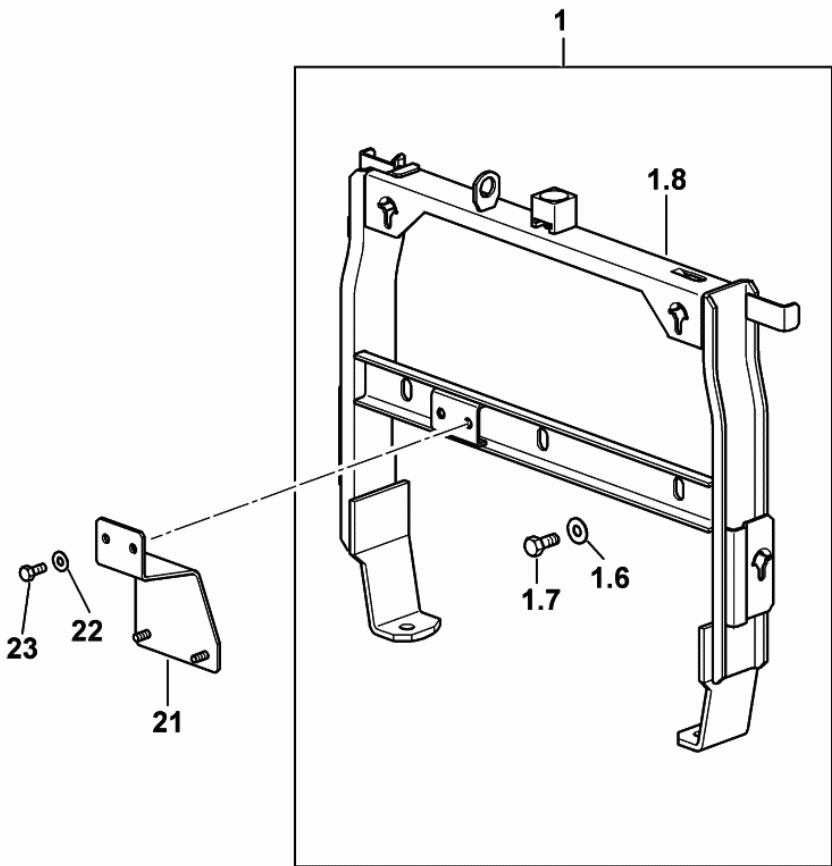
**HOOD SUPPORT - WITH RESERVE TANK**

Fig.	Code	QTY	Name
------	------	-----	------

**Notes:**

3063 <- X Agrocompact 70F3 (24"-28") 5025 <- X Agrocompact 70F3 (20") 3011 <- X Agrocompact F75 (24"-28")  
 5010 <- X Agrocompact F75 (20") 3115 <- X Agrocompact F90 (24"-28") 5016 <- X Agrocompact F90 (20") 1096  
 <- X Agrocompact F100 (24"-28") 3014

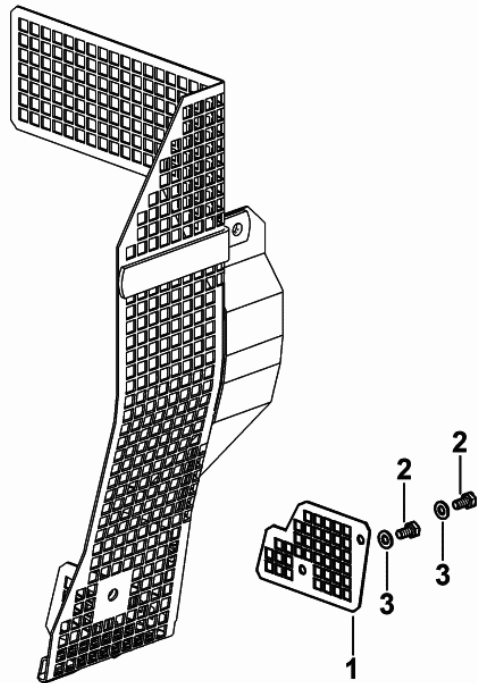
1	0.000.0000.1	0	not serviceable
1.6	2.1310.004.2	5	flat washer 8.5
1.7	2.0112.205.2	5	screw m 8 p.1.25 x 16
1.8	0.013.2732.3/10	1	chassis frame
21	0.013.4515.3	1	bracket
22	2.1310.002.2	2	washer 6.6, d125
23	2.0112.005.2	2	screw m 6 p.1 x 16



9\_B6181\_12\_0\_B

**BELT GUARDS - WITHOUT SUPPLEMENTARY FUEL TANK**

Fig.	Code	QTY	Name
1	0.014.0275.0	1	shield
2	2.0112.003.2	2	screw m 6 p.1 x 12
3	2.1310.002.2	2	washer 6.6, d125

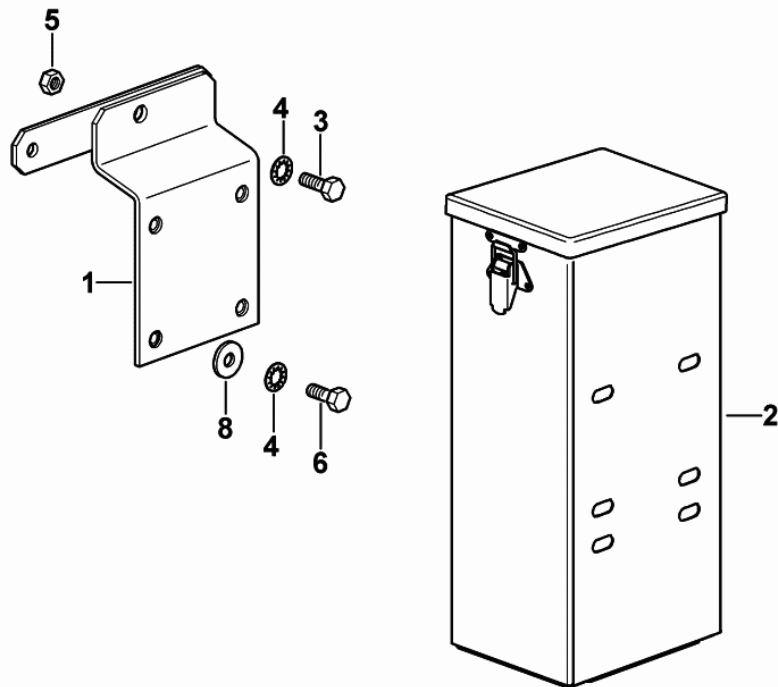


9\_D6073\_04\_0\_0

Section: BODY WORK

**METAL TOOLBOX**

Fig.	Code	QTY	Name
1	0.011.0928.3/10	1	spacer
2	0.467.7317.3/70	1	metal toolbox
3	2.0112.208.2	2	screw m 8 p.1.25 x 22
4	2.1470.004.2	4	washer 8
5	2.1011.105.2	2	nut m 8 p.1.25
6	2.0132.006.2	4	screw m 8 p.1.25 x 20
8	2.1312.004.2	2	washer 8.4



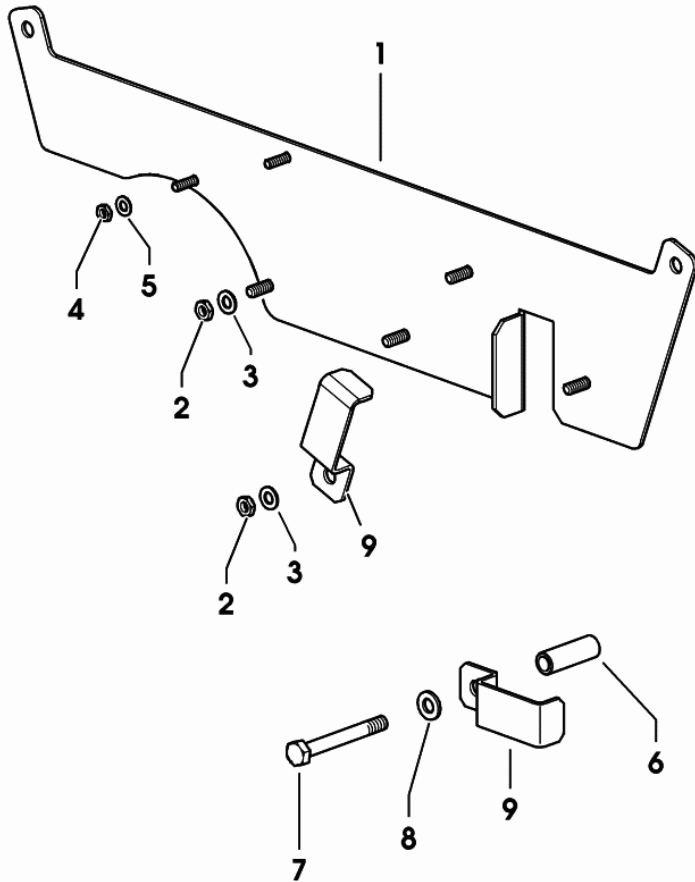
9\_70273\_06\_0\_0

Section: BODY WORK  
**CONNECTING PLATE**

Fig.	Code	QTY	Name
------	------	-----	------

**Notes:**

3063 <- X Agrocompact 70F3 (24"-28") 5025 <- X Agrocompact 70F3 (20") 3011 <- X Agrocompact F75 (24"-28")  
 5010 <- X Agrocompact F75 (20") 3115 <- X Agrocompact F90 (24"-28") 5016 <- X Agrocompact F90 (20") 1096  
 <- X Agrocompact F100 (24"-28") 3014



1	0.013.8914.3/10	1	plate
2	2.1011.202.2	4	nut m 5 p.0.8
3	2.1310.001.2	4	flat washer 5.3
4	2.1011.101.2	2	nut m 4 p.0.7
5	2.1310.028.2	2	flat washer 4
6	2.1549.001.2	1	spacer
7	2.0112.019.2	1	screw m 6 p.1 x 50
8	2.1310.002.2	1	washer 6.6, d125
9	0.013.9755.0	2	bracket

9\_D6084\_32\_0\_0

Section: BODY WORK  
**PLATES OCDE**

Fig.	Code	QTY	Name
1	2.9919.966.0/30	1	plate
2	0.000.0000.1	0	not serviceable

2

Made by  
**DEUTZ-FAHR**  
 SAME DEUTZ-FAHR  
 Agrarsysteme GmbH  
 D-88415 LAUINGEN GERMANY  
 C/O STAB.SAME DEUTZ-FAHR  
 GROUP TREVIGLIO ITALY

Type: \_\_\_\_\_  
 Homologation number: \_\_\_\_\_  
 Identification number: \_\_\_\_\_

Max total weight from \_\_\_\_\_ to \_\_\_\_\_ Kg  
 Max weight on the front axle from \_\_\_\_\_ to \_\_\_\_\_ Kg  
 Max weight on the rear axle from \_\_\_\_\_ to \_\_\_\_\_ Kg

Max weight of the trailer \_\_\_\_\_ Kg  
 Max trailer weight (not trailer) \_\_\_\_\_ Kg  
 Max trailer weight with independent brakes \_\_\_\_\_ Kg  
 Max trailer weight with merged brakes \_\_\_\_\_ Kg  
 Max trailer weight with shock absorbers (steer or green) \_\_\_\_\_ Kg

1

Made by  
 SAME DEUTZ-FAHR  
 ITALIA S.p.A.  
 TREVIGLIO ITALY

CAB or SAFETY FRAME  
 CABINA o TELAIO DI PROTEZIONE

APPROVAZIONE/APPROVAL  
 \_\_\_\_\_

O.C.D.E. REPORT  
 \_\_\_\_\_

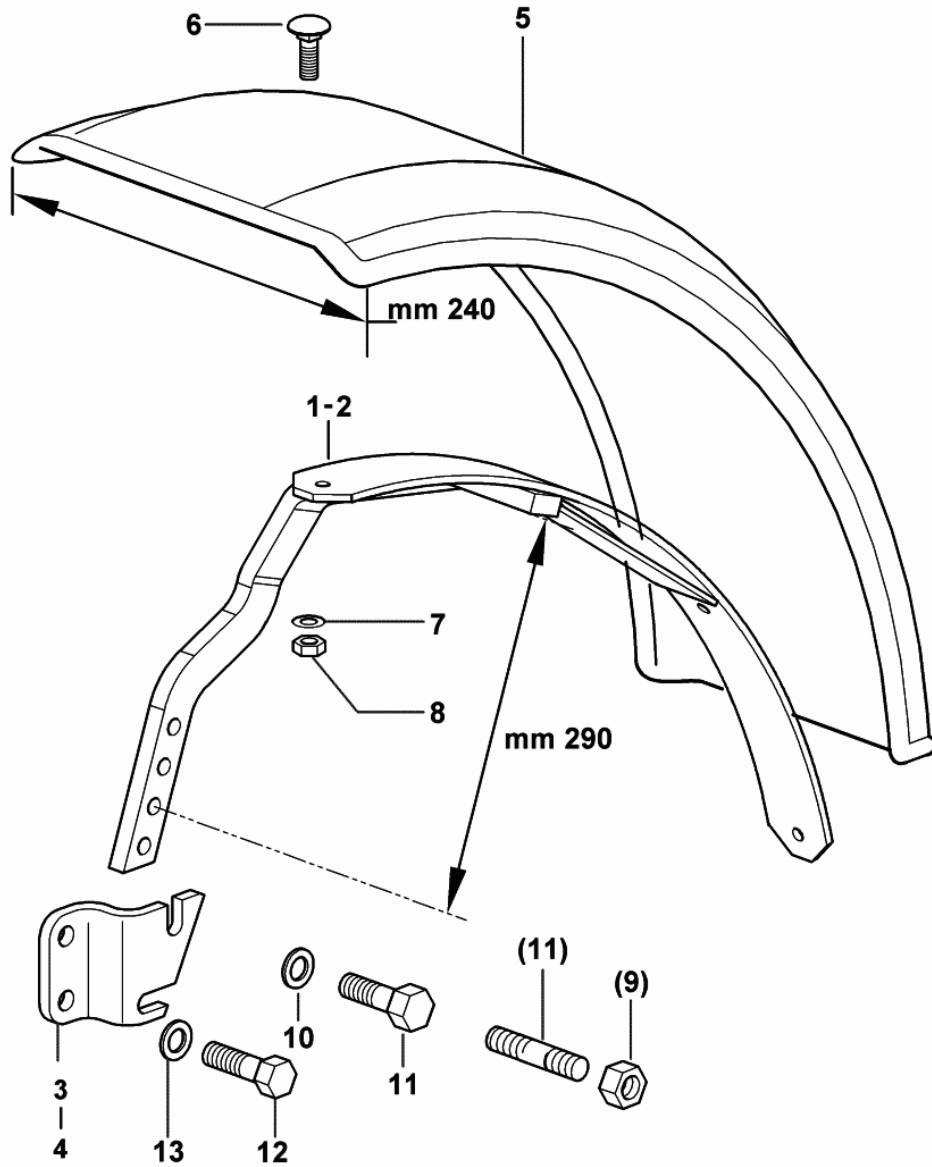
FOR TRACTORS  
 PER TRATTORI

9\_78474\_24\_0\_0

Section: BODY WORK

**FRONT MUDGUARDS mm 240**

Fig.	Code	QTY	Name
1	0.011.4181.2/10	1	support dx/rh/re
2	0.011.4180.2/10	1	support sx/lh/li
3	0.011.3518.0	1	bracket dx/rh/re
4	0.011.3520.0	1	bracket sx/lh/li
5	0.163.7630.5/10	2	fender mm 240
6	2.0029.503.6	6	screw m 8 x 25
7	2.1470.004.2	6	washer 8
8	2.1011.105.2	6	nut m 8 p.1.25
10	2.1475.005.2	4	washer 14
11	2.0112.511.2	4	screw m 14 p.2 x 30
12	2.0112.513.2	4	screw m 14 p.2 x 35
13	2.1470.008.2	4	lock washer 14



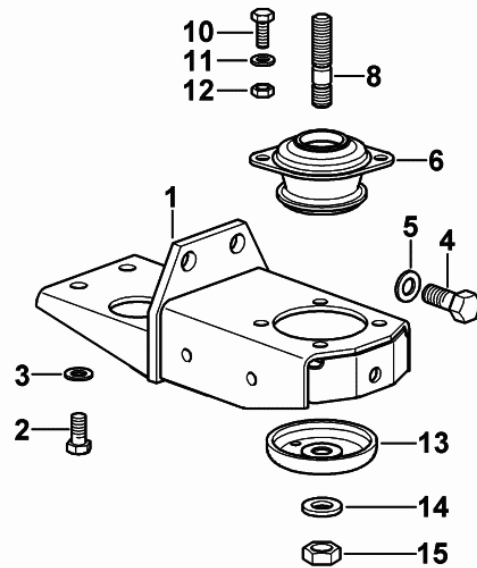
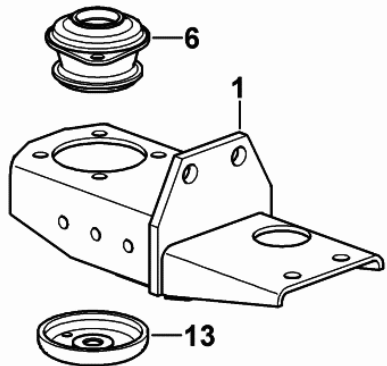
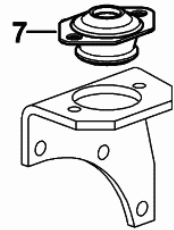
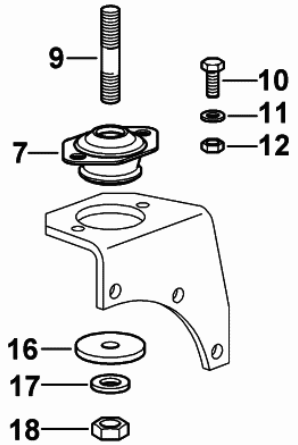
9\_78576\_15\_0\_0

Section: BODY WORK

**PLATTFORM: SUPPORTS**

9\_D6076\_05\_0\_0

Fig.	Code	QTY	Name
1	0.013.2369.3	2	support
2	2.0112.409.2	4	screw m 12 p.1.75 x 25
3	2.1475.004.7	4	washer 13 x 24
4	2.0112.615.2	4	screw m 16 p.2 x 40
5	2.1475.006.2	4	washer 16
6	0.007.5246.0	2	silent-block
7	0.007.3915.0/10	2	support
8	2.0439.079.7	2	stud bolt m 16 p.1.5 x 87
9	2.0432.315.7	2	stud bolt m 14 p.2-1.5x50
10	2.0112.309.2	8	screw m 10 p.1.5 x 25
11	2.1310.006.2	8	flat washer 10.5
12	2.1011.106.2	8	nut m 10 p.1.5
13	0.010.5208.2	2	plate
14	2.1310.010.2	2	flat washer 16
15	2.1011.309.2	2	nut m 16 p.1.5
16	2.1599.576.2	2	shoulder 14.5x60x6
17	2.1310.009.2	2	flat washer 14
18	2.1011.308.2	2	nut m 14 p.1.5



Section: BODY WORK

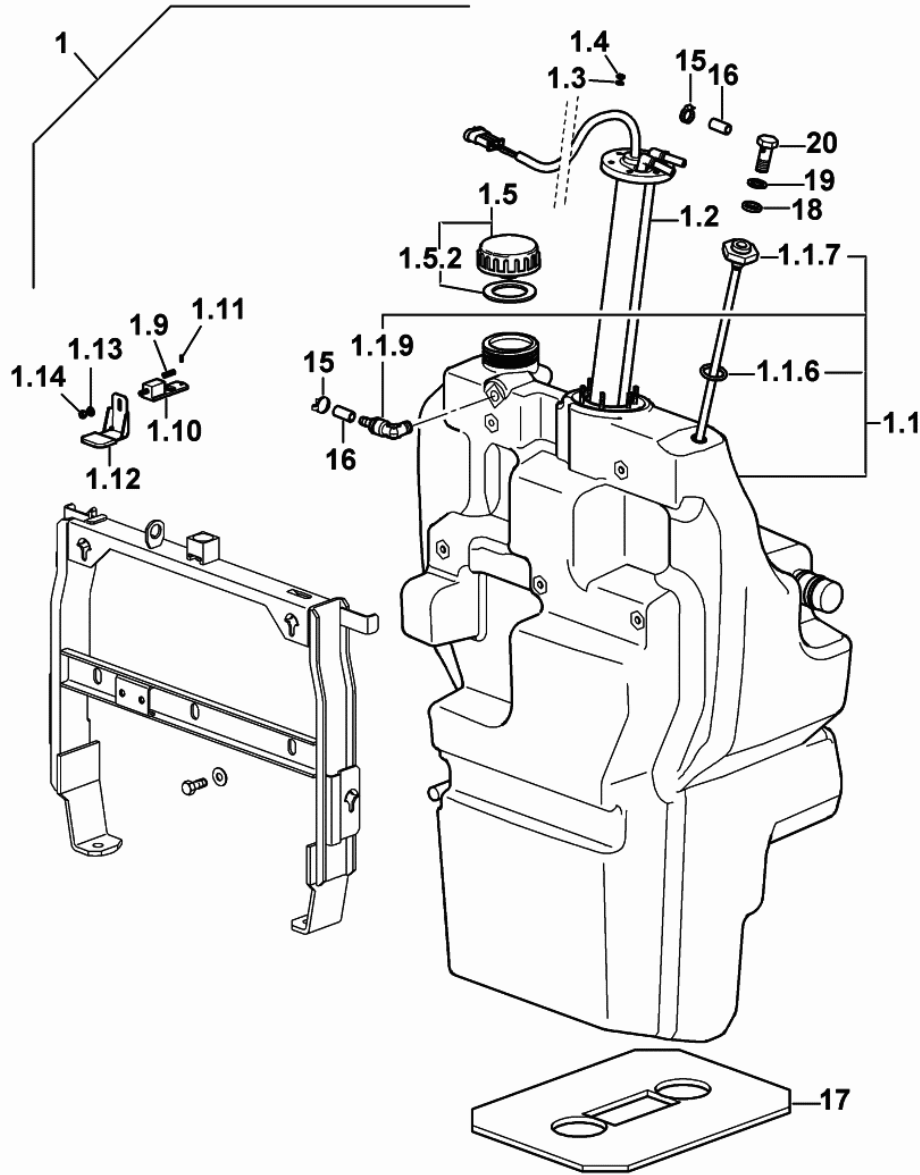
FUEL TANK

Fig.	Code	QTY	Name
------	------	-----	------

Notes:

3063 <- X Agrocompact 70F3 (24"-28") 5025 <- X Agrocompact 70F3 (20") 3011 <- X Agrocompact F75 (24"-28")  
 5010 <- X Agrocompact F75 (20") 3115 <- X Agrocompact F90 (24"-28") 5016 <- X Agrocompact F90 (20") 1096  
 <- X Agrocompact F100 (24"-28") 3014

1	0.000.0000.1	0	not serviceable
1.1	0.013.1446.3/30	1	tank
1.1.6	2.1530.056.0	1	'o' ring 21.82 x 3.53
1.1.7	0.012.1709.3/20	1	tube
1.1.9	0.010.0749.0	1	breather
1.2	2.7059.987.0/10	1	float level
1.3	2.1311.002.2	6	flat washer 4
1.4	2.1011.101.2	6	nut m 4 p.0.7
1.5	0.012.3914.3	1	plug
1.5.2	2.1569.157.0	1	gasket 37.8x59.8x3
1.9	2.4019.722.2	1	spring
1.10	0.011.3311.2/30	1	small plate
1.11	2.1630.103.2	1	roll pin
1.12	0.011.3314.4/10	1	bracket
1.13	2.1312.001.2	1	washer 4
1.14	2.1121.001.2	1	selflock nut m 4 p.0.7
15	2.6851.019.0	2	clamp Ø 13/20
16	0.012.5852.0	2	cap
17	0.467.8152.2/10	1	guard
18	2.1569.118.0	1	gasket 12.5x18x2.5
19	2.1560.008.0	1	gasket 12.2 x 18
20	2.3332.003.2	1	pipe union m 12 p.1.25 x 23



9\_B6181\_11\_0\_A

Section: BODY WORK  
**AUXILIARY TANK**

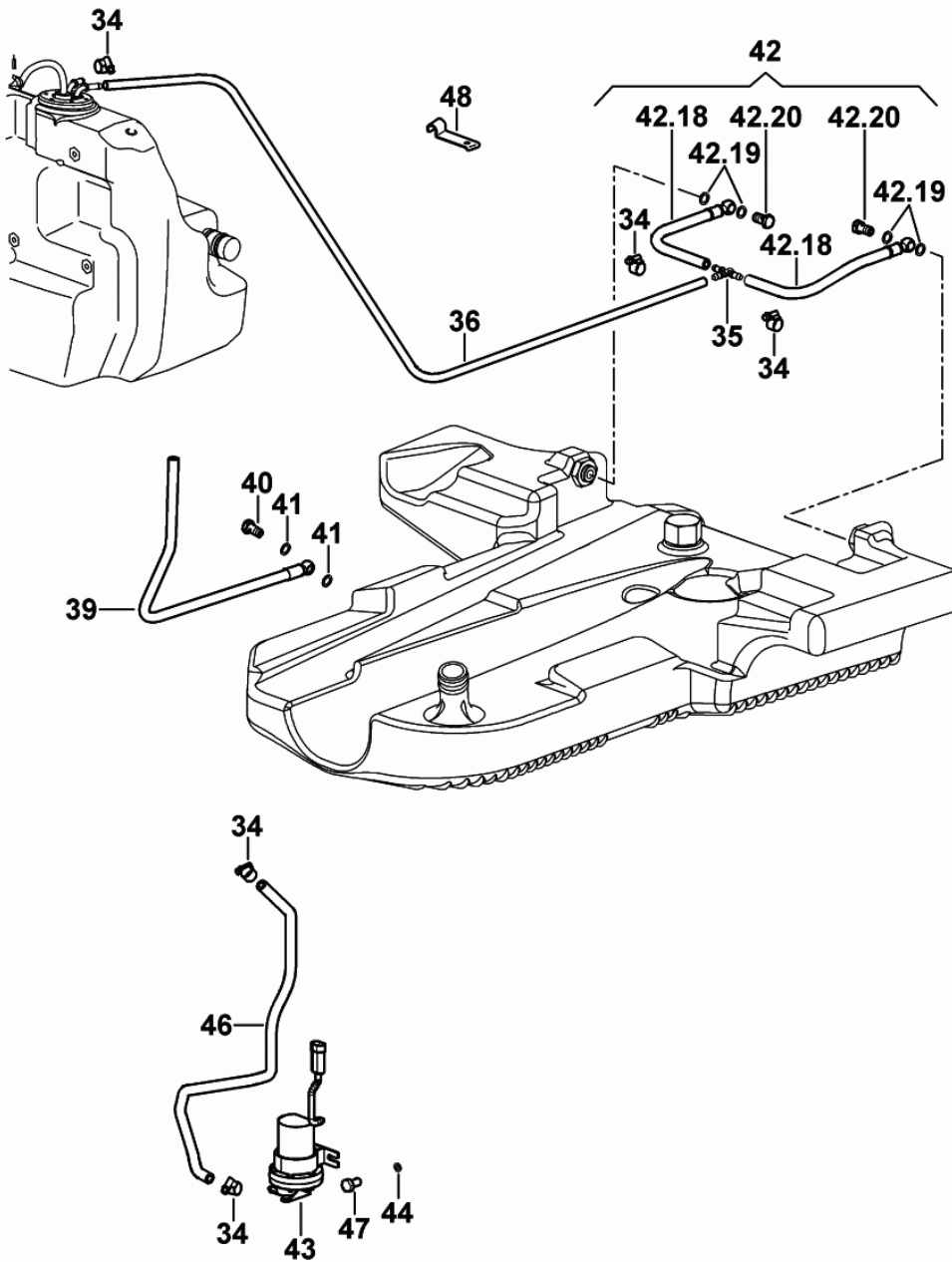


Fig.	Code	QTY	Name
------	------	-----	------

Notes:

-> 3064 X Agrocompact 70F3(24"-28") -> 5026 X Agrocompact 70F3(20") -> 3012 X Agrocompact F75(24"-28") -> 5011 X Agrocompact F75(20") -> 3116 X Agrocompact F90(24"-28") -> 5017 X Agrocompact F90(20") -> 1097 X Agrocompact F100(24"-28") -> 3015 X Ag

34	2.6851.001.0	8	clamp Ø 16/25
35	0.009.8380.0	1	pipe fitting T
36	0.012.6343.0	0	tube
39	0.014.0146.3	1	tube
40	2.3332.003.2	1	pipe union m 12 p.1.25 x 23
41	2.1560.008.0	2	gasket 12.2 x 18
42	0.000.0000.1	0	not serviceable
42.18	0.011.5935.3/10	2	tube mm 1400
42.19	2.1560.008.0	4	gasket 12.2 x 18
42.20	2.3332.003.2	2	pipe union m 12 p.1.25 x 23
43	0.012.3643.4/20	1	small pump
44	2.1312.003.2	2	washer 6
46	0.011.5937.0	0	tube 8x15x1900
47	2.0112.003.2	2	screw m 6 p.1 x 12
48	0.013.4550.0	1	bracket

9\_F2081\_20\_0\_B

Section: BODY WORK  
**DRIVER'S SEAT KAB XL2**

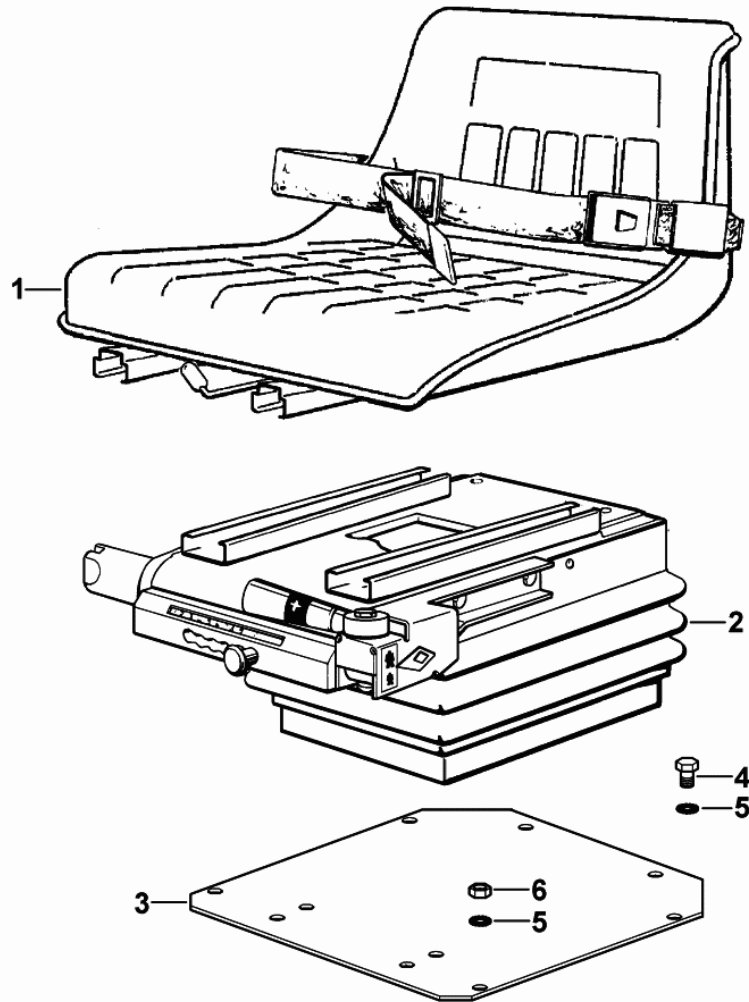


Fig.	Code	QTY	Name
------	------	-----	------

**Notes:**

3020 <- X Agrocompact 70F3 (24"-28") 1026 <- X Agrocompact F75 (24"-28") 3032 <- X Agrocompact F90 (24"-28") 1029 <- X Agrocompact F100 (24"-28") 3020 <- X Agrocompact 70F3 (20") 1005 <- X Agrocompact F75 (20") 3009 <- X Agrocompact F90 (20") 1007

1	0.010.5362.4	1	seat 3006 <- X Agrocompact 70F3 (24"-28") 3003 <- X Agrocompact 70F3 (20") 1007 <- X Agrocompact F75 (2 ☞ 0.010.5362.4 ☞ 07.00.43
1	0.012.4782.4/10	1	seat -> 3007 - (...) <- X Agrocompact 70F3 (24"-28") -> 3004 - X Agrocompact 70F3 (20") -> 1008 - X A ☞ 0.012.4782.4/10 ☞ 07.00.44
2	0.010.5356.4	1	seat springs KAB XH2 COMPONENT PARTS SEE COMPONENTS LIST ☞ 0.010.5356.4 ☞ 07.00.45
3	0.010.9410.0	1	plate
4	2.0112.203.2	4	screw m 8 p.1.25 x 12
5	2.1470.004.2	8	washer 8
6	2.1011.105.2	4	nut m 8 p.1.25

9\_56675\_04\_0\_A

Section: BODY WORK  
SEAT-COMPONENTS

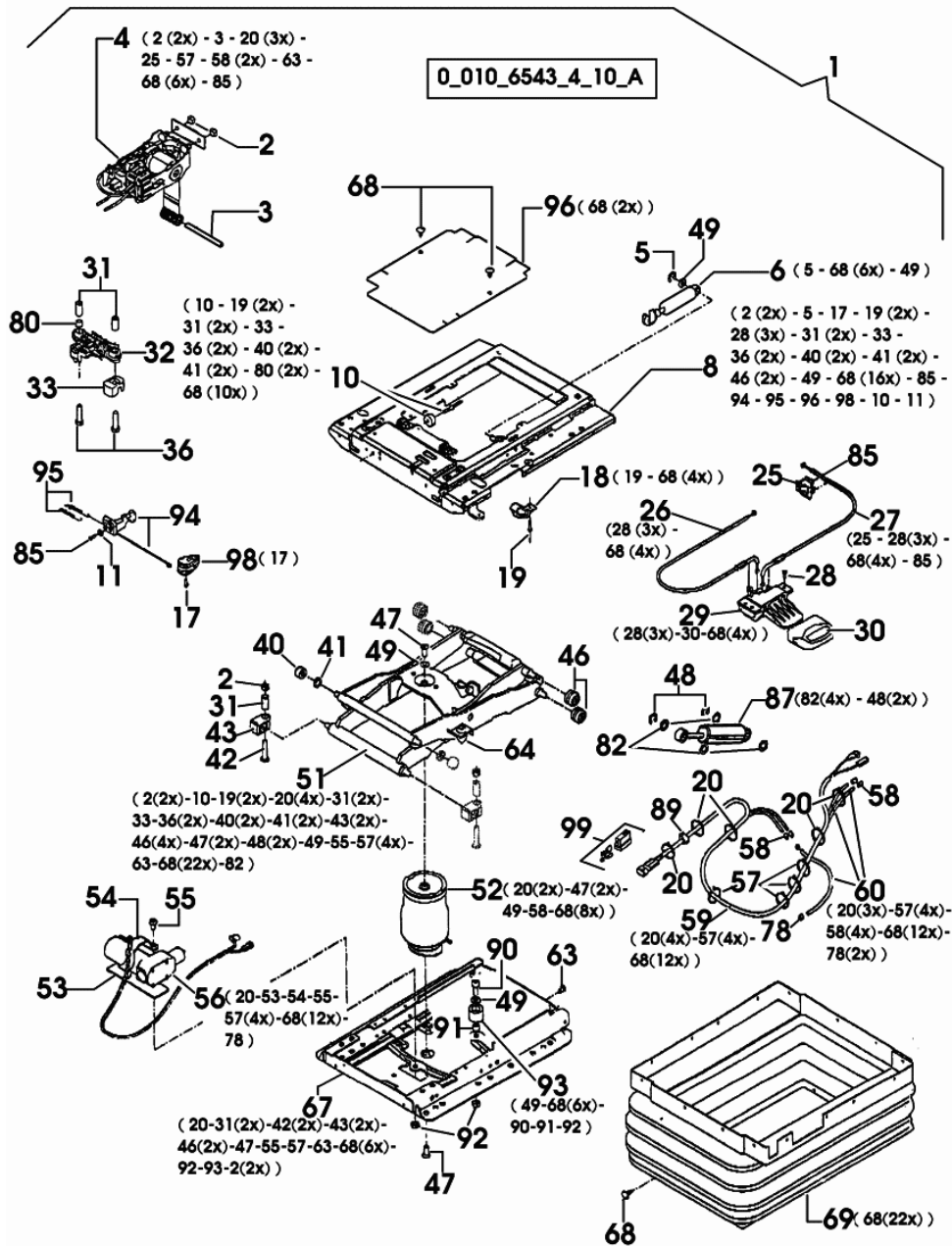
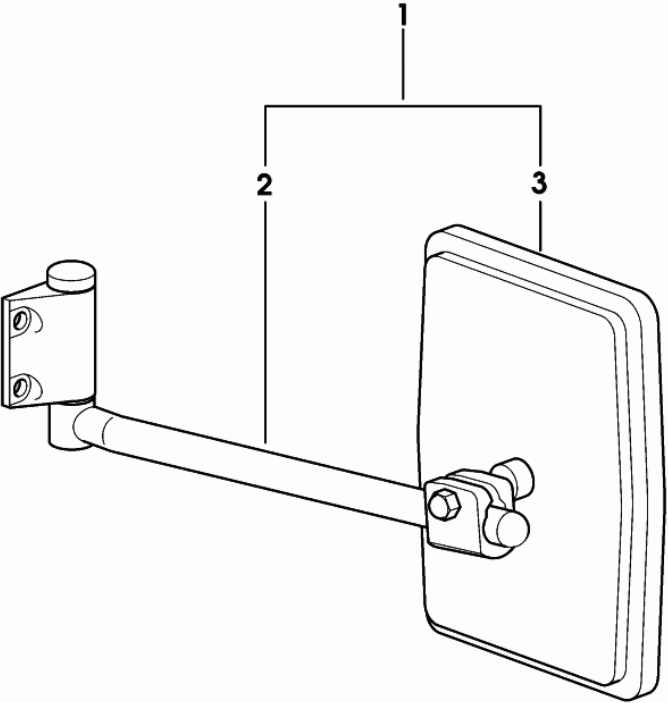


Fig.	Code	QTY	Name
68	0.000.0000.1	0	not serviceable
69	0.010.2276.0	1	guard
78	0.009.4381.0	2	terminal
80	0.000.0000.1	0	not serviceable
82	0.000.0000.1	0	not serviceable
85	0.000.0000.1	0	not serviceable
87	0.010.2276.1	1	shoch.absorber
89	0.000.0000.1	0	not serviceable
90	0.000.0000.1	0	not serviceable
91	0.009.4720.1	1	bushing
92	0.000.0000.1	0	not serviceable
93	0.010.2277.2	1	sub-assy parts
94	0.010.2276.2	1	lever
95	0.010.2277.0	2	spring
96	0.010.2277.1	1	cover
98	0.010.2077.2	1	knob
99	0.009.4381.1	1	connection

Section: BODY WORK  
**REARVIEW MIRROR**

Fig.	Code	QTY	Name
1	0.9234.147.4/10	1	rear view mirror sx/lh/li
2	0.010.3564.2	1	rod
3	0.9233.183.3	1	rear view mirror



0.9234.147.4/10

Section: CAB

**GLASSES AND SEALS**

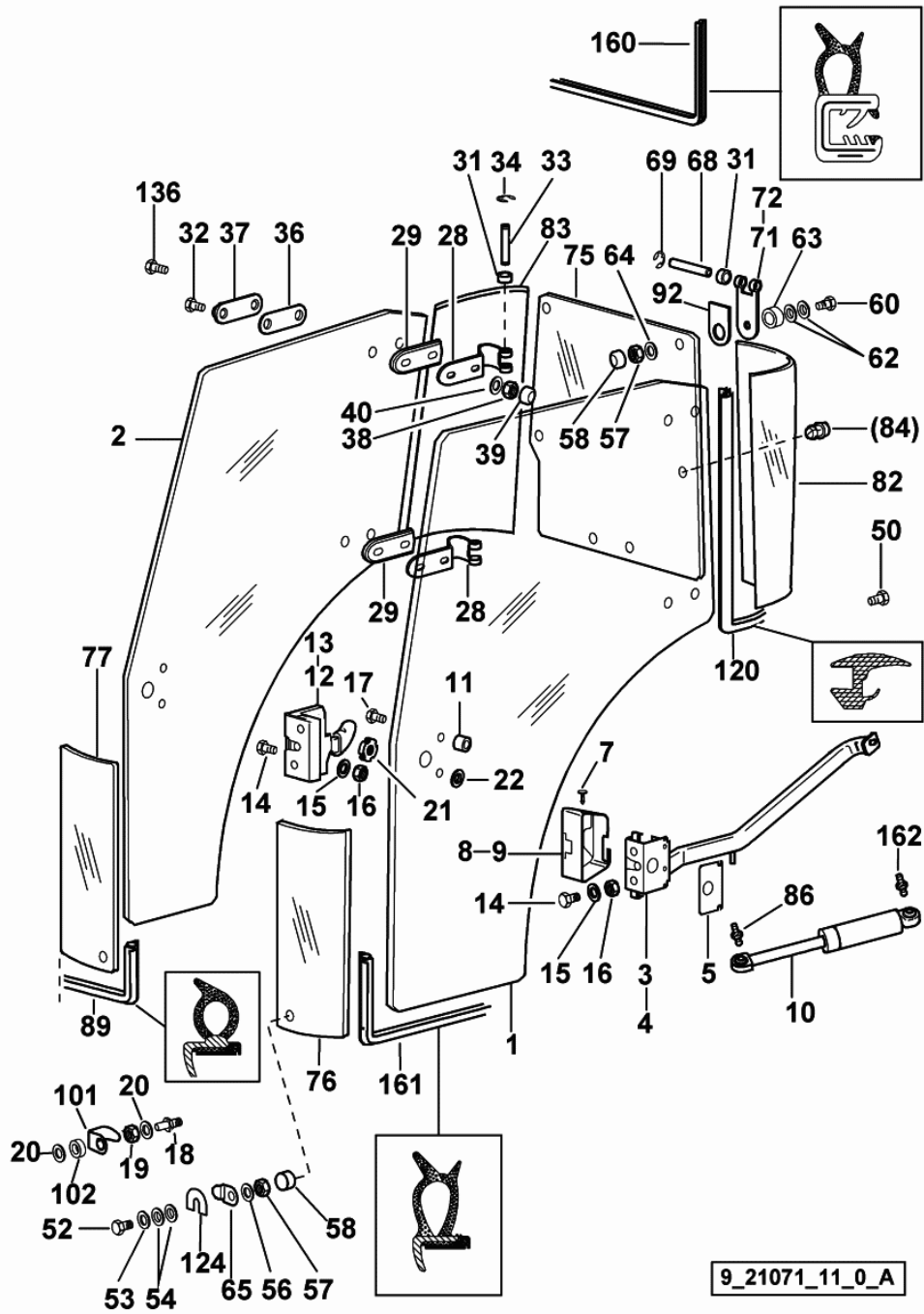
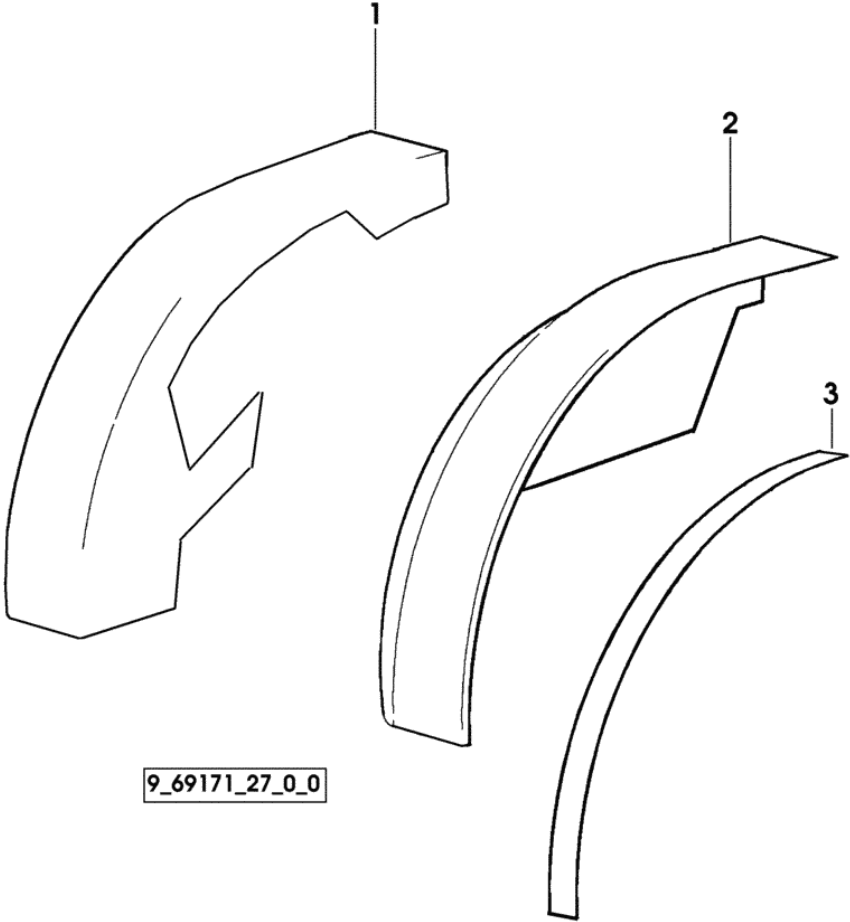


Fig.	Code	QTY	Name
1	0.012.5720.0/10	1	window glass sx/lh/li - GREEN COLOUR
2	0.012.5721.0/10	1	window glass dx/rh/re - GREEN COLOUR
3	0.010.7100.3	1	handle sx/lh/li
4	0.010.7101.3	1	handle dx/rh/re
5	0.007.7615.0	2	gasket
7	2.1899.075.0	6	button 6.5x14.5
8	0.007.7617.0/10	1	lining sx/lh/li
9	0.007.7618.0/10	1	lining dx/rh/re
10	0.011.0599.0	2	shoch.absorber
11	0.010.1253.0	4	rubber plug
12	0.009.9213.4	1	lock sx/lh/li
13	0.009.9212.4	1	lock dx/rh/re
14	2.0332.308.2	8	screw m 5 p.0.8 x 25
15	2.1310.001.2	8	flat washer 5.3
16	2.1011.102.2	8	nut m 5 p.0.7
17	2.0332.407.2	4	screw m 6 x 20
18	0.010.0617.0/10	2	contact surface
19	2.1011.406.2	2	nut m 10 p.1
20	2.1310.006.3	5	flat washer 10.5x21x2
21	2.1219.049.0/10	2	ring nut m 30 p.1
22	0.007.5962.0	2	gasket
28	0.010.7079.2/20	4	hinge
29	0.010.7080.0	4	gasket
31	2.1559.147.0	16	bushing 10 x 28 x 18
32	2.0399.173.3/10	2	screw m 8 p.1.25 x 35
33	2.1699.327.2/10	4	pin
34	2.1410.001.1	8	circlip 10
36	0.010.7081.0	4	gasket
37	0.010.7082.0	4	plate
38	2.1011.105.2	6	nut m 8 p.1.25
39	0.163.7856.0	6	cap
40	2.1310.004.2	4	flat washer 8.5
50	2.0322.405.6	4	screw m 6 x 14
52	2.0342.308.3	6	screw m 8 p.1.25 x 30
53	2.1499.093.0/10	4	washer 8.5
54	0.009.0422.0	12	gasket
56	2.1310.004.2	6	flat washer 8.5
57	2.1011.105.2	10	nut m 8 p.1.25
58	0.163.7856.0	10	cap
60	2.0342.308.3	4	screw m 8 p.1.25 x 30
62	0.009.0422.0	8	gasket
63	2.1579.450.2	4	spacer 8.5 x 14 x 12

Section: CAB  
**INTERIOR TRIM**

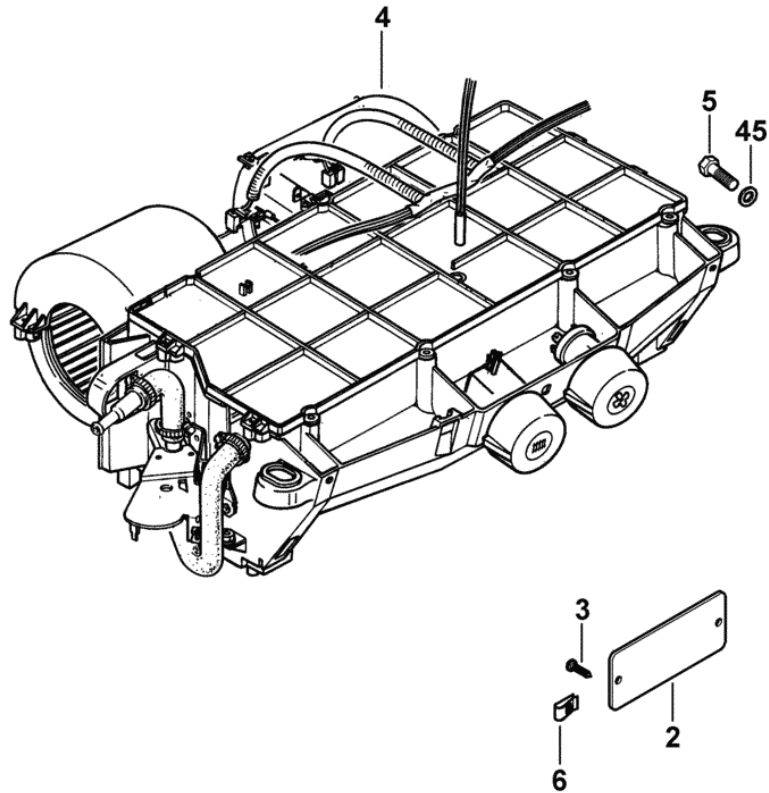
Fig.	Code	QTY	Name
1	0.010.9509.0/10	1	lining dx/rh/re
2	0.010.9510.0/10	1	lining sx/lh/li
3	0.010.1198.0	2	adhesive mm 4500



9\_69171\_27\_0\_0

Section: CAB  
**VENTILATION - HEATING**

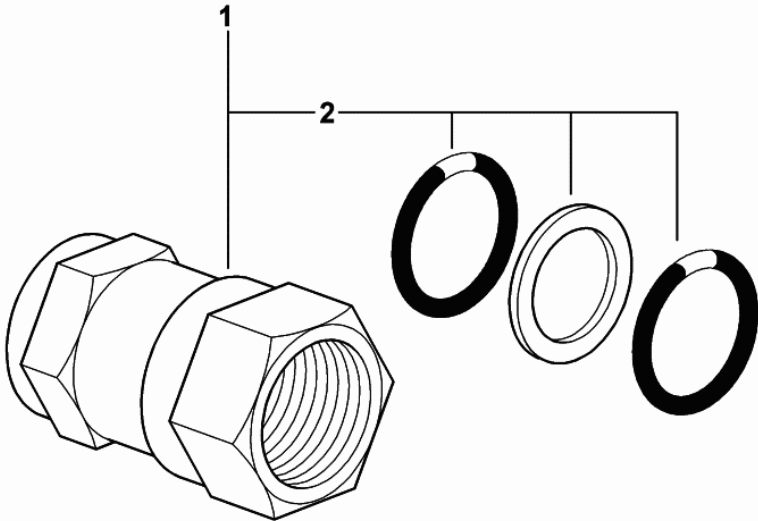
Fig.	Code	QTY	Name
2	0.007.7317.0	1	plug 50x116x3
3	2.0350.456.3	2	screw m 4.2 x 19 -AB-
4	0.010.8108.4/10	1	cab heating COMPONENT PARTS SEE COMPONENTS LIST ☞ 0.010.8108.4/10 ☞ 0B.00.83
5	2.0112.213.2	4	screw m 8 p.1.25 x 35
6	2.6999.061.0	2	small spring 4.2
45	2.1579.837.2	4	spacer 8 x 25 x 3



9\_70671\_60\_0\_D

Section: CAB  
**ENGAGEMENT**

Fig.	Code	QTY	Name
1	0.009.7202.4/10	1	connection 1-1/4"-18UN
2	0.900.0267.8	1	seal ring kit 1.78x28.3

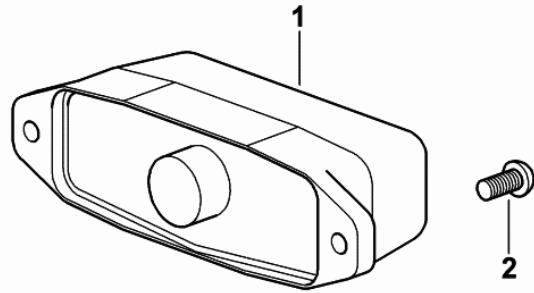


0\_009\_7202\_4\_10

CAB ELECTRICAL SYSTEM.....	08.00.45
POWER-LIFT ELECTRONIC SYSTEM.....	08.00.46
ELECTRICAL SYSTEM FOR 6-WAY FRONT CONTROL VALVE.....	08.00.47
ELECTRICAL SYSTEM - 3 POINT HITCH.....	08.00.48
GUARD FOR ELECTRO VALVES.....	08.00.49
HEADLAMP COMPONENTS.....	0.009.6758.4/10.A
BATTERY LEADS.....	0.010.6708.3/20.A
ELECTRICAL SYSTEM.....	0.010.7262.4/20.A
ELECTRICAL LEADS.....	0.010.9057.3.A
ELECTRICAL SYSTEM.....	0.011.2025.4/40.A
FLASHING LIGHT SUPPORT.....	0.011.7840.4.A
ELECTRICAL SYSTEM.....	0.012.0101.4.A
ELECTRICAL SYSTEM.....	0.013.6326.4.A
ELECTRICAL SYSTEM.....	0.013.8395.4/20.A
ELECTRICAL SYSTEM.....	0.013.8396.4/10.A
ELECTRICAL SYSTEM.....	0.013.8399.4/10.A
ELECTRICAL SYSTEM.....	0.013.8401.4.A
HEADLAMP COMPONENTS.....	2.8019.960.0.A
HEADLAMP COMPONENTS.....	2.8019.970.0.A
HEADLAMP COMPONENTS.....	2.8029.240.0/10.A
HEADLAMP COMPONENTS.....	2.8029.300.0.A
HEADLAMP COMPONENTS.....	2.8029.730.0.A
ELECTRIC LIGHTING SYSTEM.....	2.8029.820.0/20.A
ELECTRIC LIGHTING SYSTEM.....	2.8029.830.0/20.A
HEADLAMP COMPONENTS.....	2.8059.523.0.A
HEADLAMP COMPONENTS.....	2.8059.524.0.A
INTERIOR LIGHT.....	2.8339.032.0.A
ALTERNATOR PARTS.....	2.9439.420.0/10.A
ALTERNATOR PARTS.....	2.9439.460.0/10.A
STARTER PARTS.....	2.9619.390.0.A

**LICENCE PLATE LIGHT**

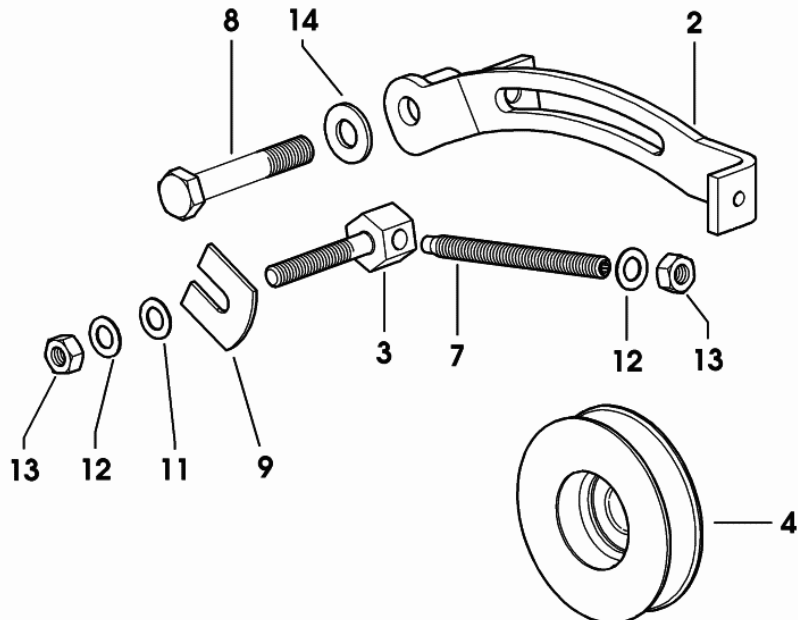
Fig.	Code	QTY	Name
1	2.8029.240.0/10	1	side lamp COMPONENT PARTS SEE COMPONENTS LIST ☞ 2.8029.240.0/10 ☞ 08.00.61
2	2.0332.304.3	2	screw m 5 x 12



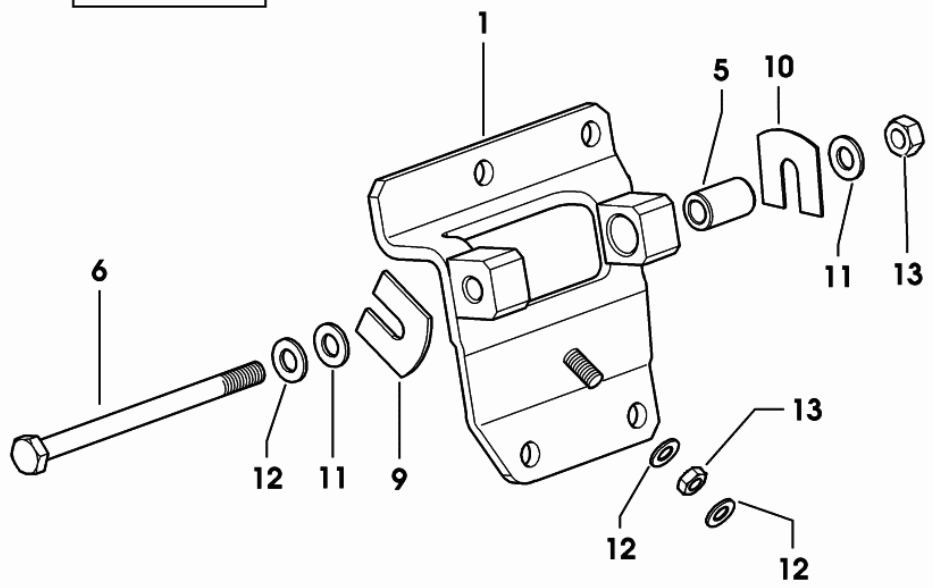
9\_56685\_31\_0\_0

**ALTERNATOR MOUNTINGS - FOR TRACTORS WITH AIR CONDITIONING**

Fig.	Code	QTY	Name
------	------	-----	------



13	2.1011.105.2	3	-> 1060 X Agrocompact F100(24"-28") -> 1016 X Ag nut m 8 p.1.25 3032 <- X Agrocompact 70F3 (24"-28") 3033 <- X Agrocompact 70F3 (20") 1033 <- X Agrocompact F75 (24"-28") 1014 <- X Agrocompact F75 (20") 3068 <- X Agrocompact F90 (24"-28") 3021 <- X Agrocompact F90 (20") 1059 <- X Agrocompact F100 (24"-28") 1015
13	2.1011.105.2	4	nut m 8 p.1.25 -> 3033 X Agrocompact 70F3(24"-28") -> 3034 X Agrocompact 70F3(20") -> 1034 X Agrocompact F75(24"-28") -> 1015 X Agrocompact F75(20") -> 3069 X Agrocompact F90(24"-28") -> 3022 X Agrocompact F90(20") -> 1060 X Agrocompact F100(24"-28") -> 1016 X Ag
14	2.1310.006.2	1	flat washer 10.5



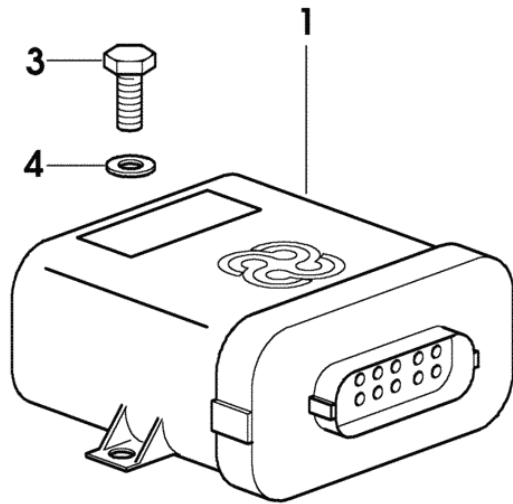
**CONTROL UNIT - GEARS H-M-L (GEARSHIFT)**

Fig.	Code	QTY	Name
------	------	-----	------

**Notes:**

3071 <- X Agrocompact 70F3 (24"-28") 3016 <- X Agrocompact F75 (24"-28") 3132 <- X Agrocompact F90 (24"-28") 1109 <- X Agrocompact F100 (24"-28") 5039 <- X Agrocompact 70F3 (20") 5014 <- X Agrocompact F75 (20") 5021 <- X Agrocompact F90 (20") 3018

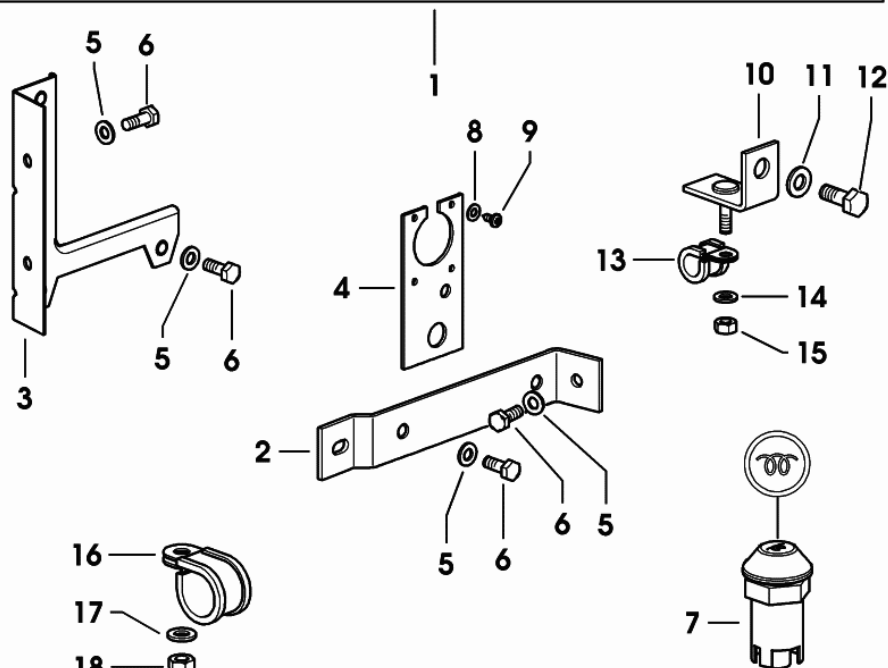
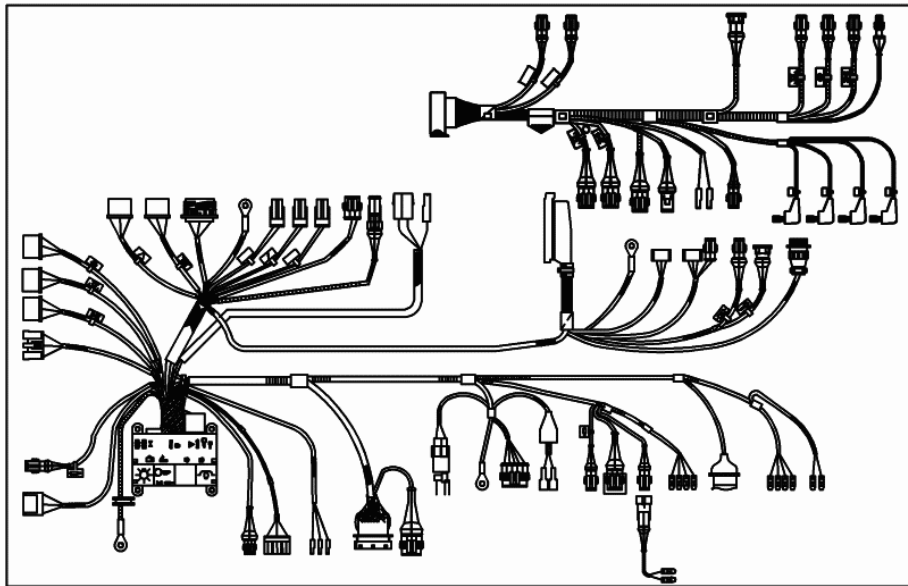
1	0.010.8869.4/20	1	central device
3	2.0112.005.2	2	screw m 6 p.1 x 16
4	2.1310.002.2	2	washer 6.6, d125



9\_70564\_09\_0\_0

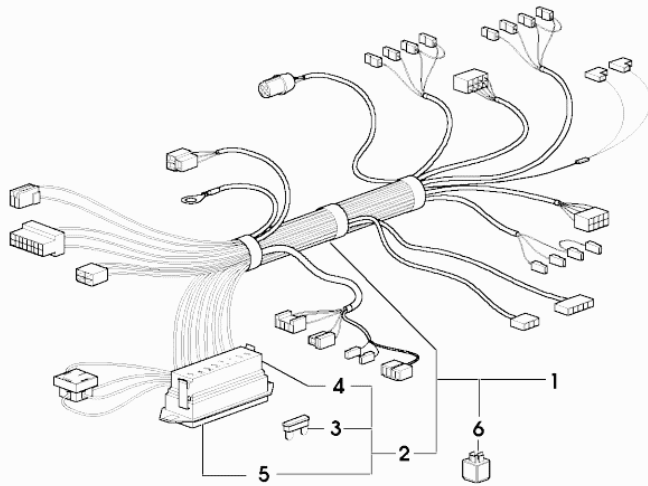
**CENTRAL WIRING - FOR MODELS WITH ELECTRONIC ENGINE GOVERNOR**

Fig.	Code	QTY	Name
1	0.013.8395.4/20	1	electrical system COMPONENT PARTS SEE COMPONENTS LIST ☞ 0.013.8395.4/20 ☞ 08.00.70
2	0.010.1160.3	1	bracket
3	0.011.6212.3	1	bracket
4	0.010.4307.0/10	1	small plate
5	2.1310.002.2	7	washer 6.6, d125
6	2.0112.005.2	7	screw m 6 p.1 x 16
7	2.7659.250.0/10	1	push-button
8	2.1310.028.2	4	flat washer 4
9	2.0350.253.6	4	screw m 3.5 x 9.5
10	0.010.1395.2	1	square
11	2.1310.004.2	1	flat washer 8.5
12	2.0112.205.2	1	screw m 8 p.1.25 x 16
13	2.6839.059.0	1	clamp Ø 12 / 15
14	2.1310.002.2	1	washer 6.6, d125
15	2.1011.103.2	1	nut m 6 p.1
16	2.6839.054.0	1	clamp Ø 20/25
17	2.1310.004.2	1	flat washer 8.5
18	2.1011.105.2	1	nut m 8 p.1.25



9\_D6084\_06\_0\_0

**ELECTRICAL SYSTEM**



010\_7262\_4\_20

Fig.	Code	QTY	Name
1	0.010.7262.4/20	1	electrical system
2	0.010.2225.0	1	terminal box
3	0.010.2225.1	2	fuse 5 A unival
3	0.010.2225.2	2	fuse 7.5 A unival
3	0.010.2087.2	2	fuse 10 A unival
3	0.010.2088.1	2	fuse 20 A unival
3	0.010.2088.2	2	fuse 30 A unival
4	0.010.2226.0	2	cover
5	0.000.0000.1	0	not serviceable
6	2.7659.120.0	1	relay 12V-70A

CLICK HERE TO **DOWNLOAD** THE COMPLETE MANUAL

- Thank you very much for reading the preview of the manual.
- You can download the complete manual from: [www.heydownloads.com](http://www.heydownloads.com) by clicking the link below

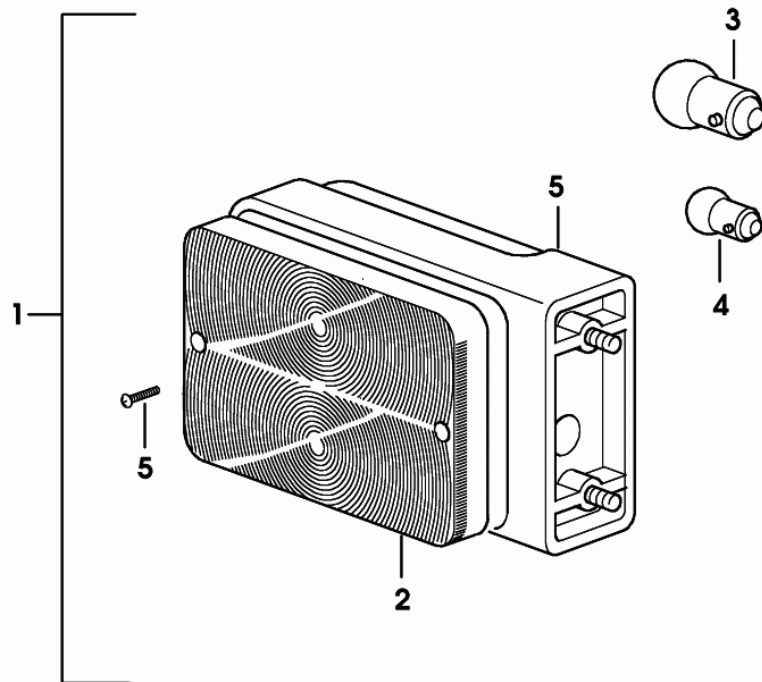


- Please note: If there is no response to CLICKING the link, please download this PDF first and then click on it.

CLICK HERE TO **DOWNLOAD** THE COMPLETE MANUAL

Section: ELECTRIC AL SYSTEM  
**HEADLAMP COMPONENTS**

Fig.	Code	QTY	Name
1	2.8019.960.0	1	side lamp sx/lh/li
2	2.8019.200.1	1	light body dx/rh/re
3	2.8313.001.0	1	lamp 12V 21W
4	2.8311.005.0	1	lamp 12 V, 5 W
5	0.000.0000.1	0	not serviceable



2\_8019\_960\_0

**ALTERNATOR PARTS**

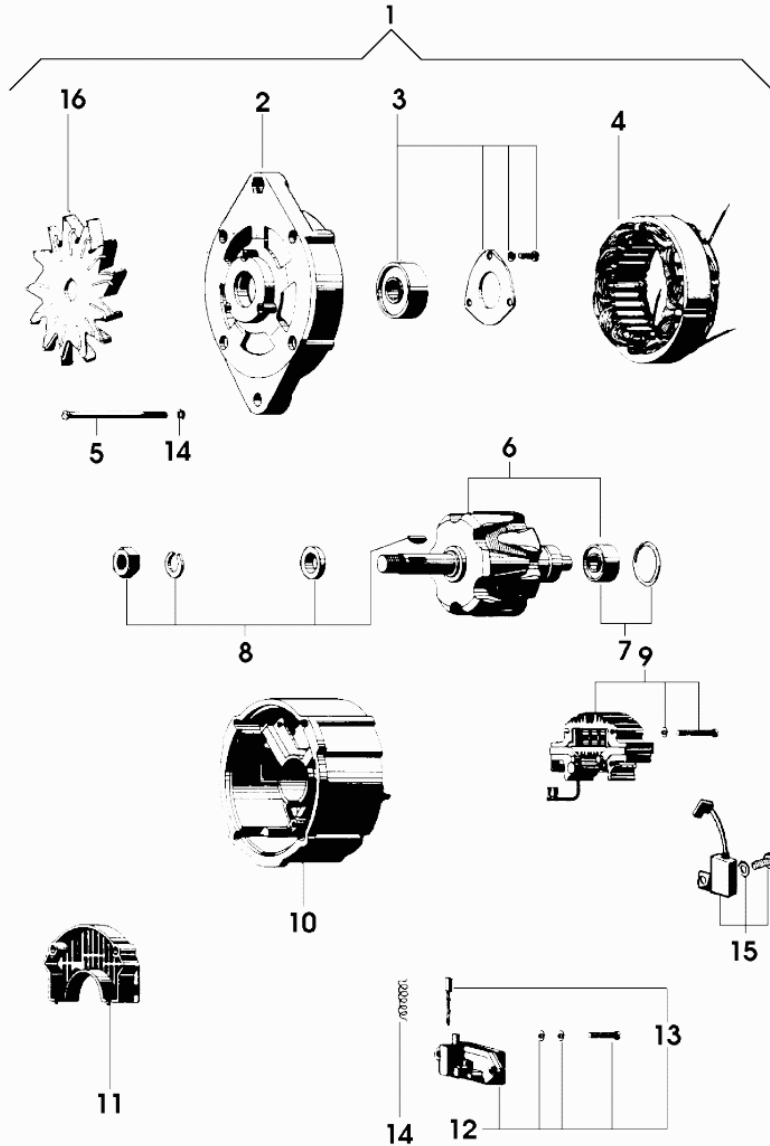


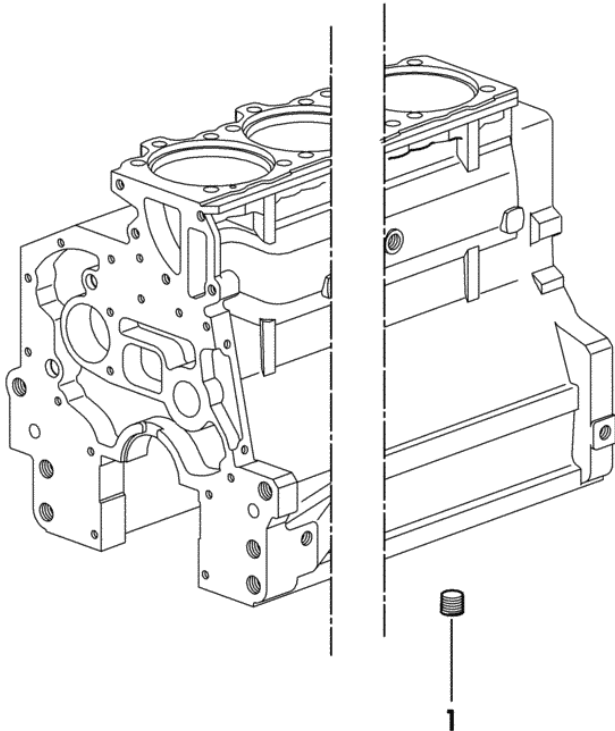
Fig.	Code	QTY	Name
1	2.9439.420.0/10	1	alternator 14V - 65A - ISKRA
2	0.009.4331.1	1	cover
3	0.010.2066.1	1	bearing
4	0.010.2066.2	1	field winding
5	0.010.2231.0	4	screw
6	0.010.2084.0	1	armature
7	0.010.2067.2	1	bearing
8	0.010.2068.0	1	repair seal set
9	0.009.4881.0	1	rectifier
10	0.010.2068.1	1	cover
11	0.010.2231.1	1	guard
12	0.009.4335.0	1	regulator
13	0.009.4335.1	2	brush set
14	0.000.0000.1	0	not serviceable
15	0.010.2068.2	1	condenser
16	0.009.4331.0	1	rotor blade

2\_9439\_420\_0\_10

Section: ENGINE

**PLUG**

Fig.	Code	QTY	Name
1	2.3130.003.1	1	plug 3/8" gas

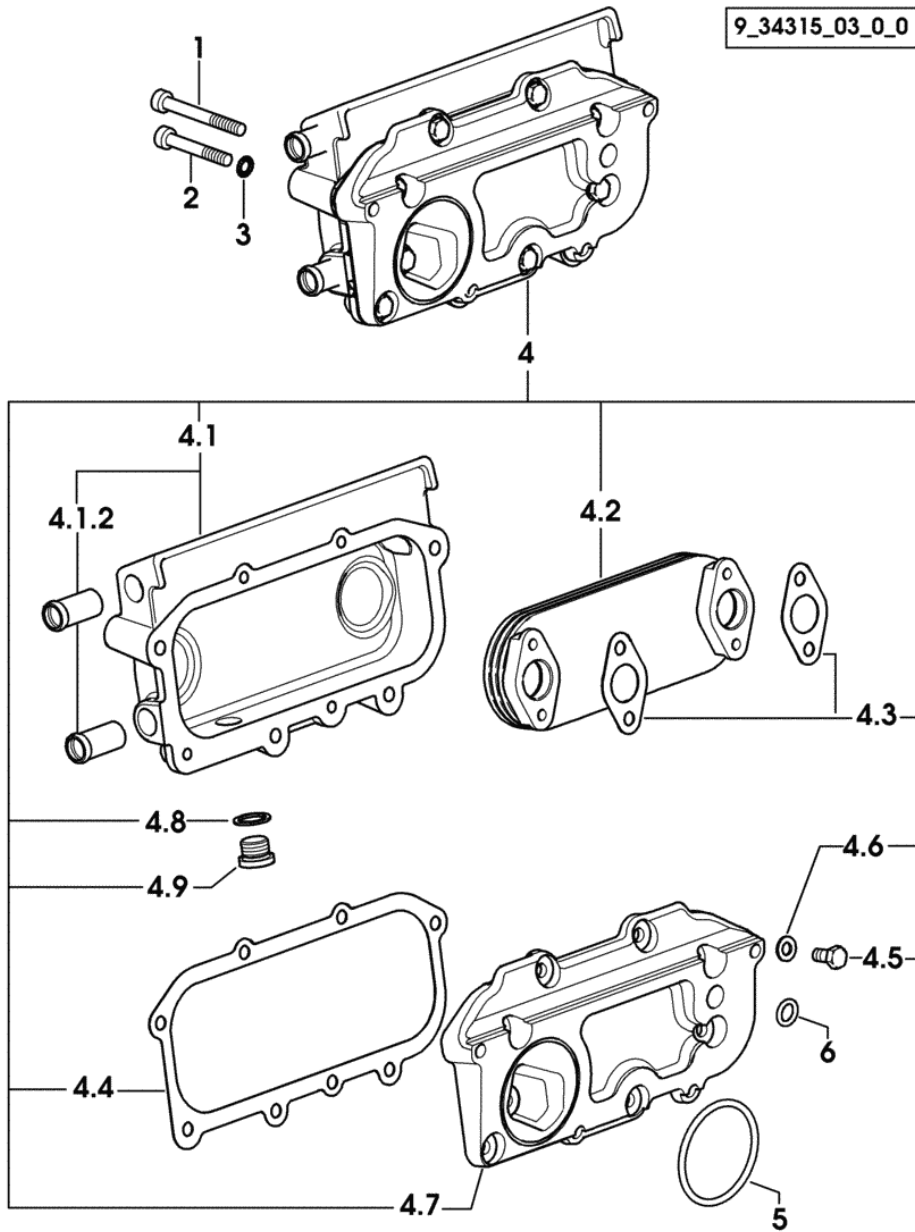


9\_34311\_06\_0\_0

Section: ENGINE  
**LUBRIC. OIL COOLER**

9\_34315\_03\_0\_0

Fig.	Code	QTY	Name
1	2.0312.220.2	2	screw m 8 p.1.25x70
2	2.0312.217.2	2	screw m 8 p.1.25x55
3	2.1480.014.1	4	washer 8
4	0.000.0000.1	0	not serviceable
4.1	0.078.1554.3	1	box
4.1.2	0.066.1750.0	1	tube
4.2	0.078.1540.3	1	radiator
4.3	0.078.1557.0/10	2	gasket
4.4	0.078.1556.0/10	1	gasket
4.5	2.0112.205.2	8	screw m 8 p.1.25 x 16
4.6	2.1310.004.2	8	flat washer 8.5
4.7	0.078.1555.0/10	1	plate
4.8	2.1560.014.0	1	gasket 18.2 x 24 x 1.5
4.9	2.3120.101.0	1	plug m 18 p.1.5
5	2.1539.050.0	1	'o' ring 69.57x1.78
6	2.1539.048.0	1	'o' ring 20.35x1.78

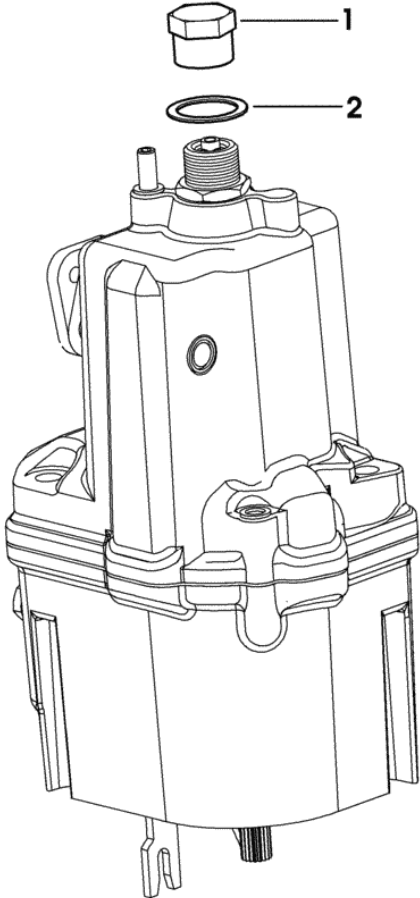


**PLUG FOR MECHANICAL REGULATOR**

Fig.	Code	QTY	Name
------	------	-----	------

**Notes:**  
 3071 <- X Agrocompact 70F3 (24"-28") 3016 <- X Agrocompact F75 (24"-28") 3132 <- X Agrocompact F90 (24"-28") 1109 <- X Agrocompact F100 (24"-28") 5039 <- X Agrocompact 70F3 (20") 5014 <- X Agrocompact F75 (20") 5021 <- X Agrocompact F90 (20") 3018

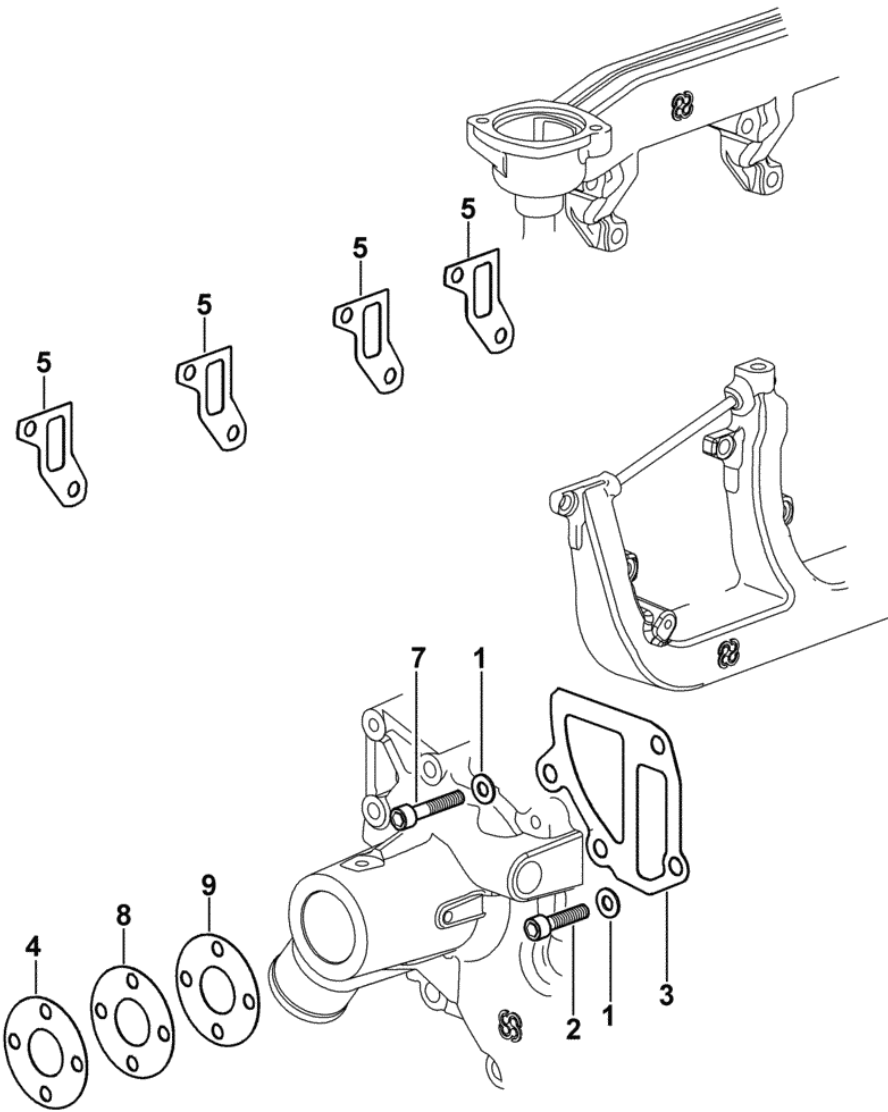
1	2.3119.025.2	1	plug m 18 p.1.5
2	2.1560.016.0	1	gasket 20.2 x 26



9\_33016\_09\_0\_0

**WATER COOLING -SEALING**

Fig.	Code	QTY	Name
1	2.1480.015.1	4	washer 10
2	2.0313.312.7	3	screw m 10 p 1.5x35
3	0.066.1753.0/20	1	gasket
4	2.1589.130.0	1	snoulder 29 x 68 x 0.5
5	0.066.1759.0/30	4	gasket
7	2.0313.315.7	1	screw m 10 p.1.5 x 45
8	2.1589.131.0	1	snoulder 29 x 68 x 1.0
9	2.1589.131.0	2	snoulder 29 x 68 x 1.0



9\_N1517\_00\_0\_0

Section: ENGINE  
**GOVERNOR PARTS**

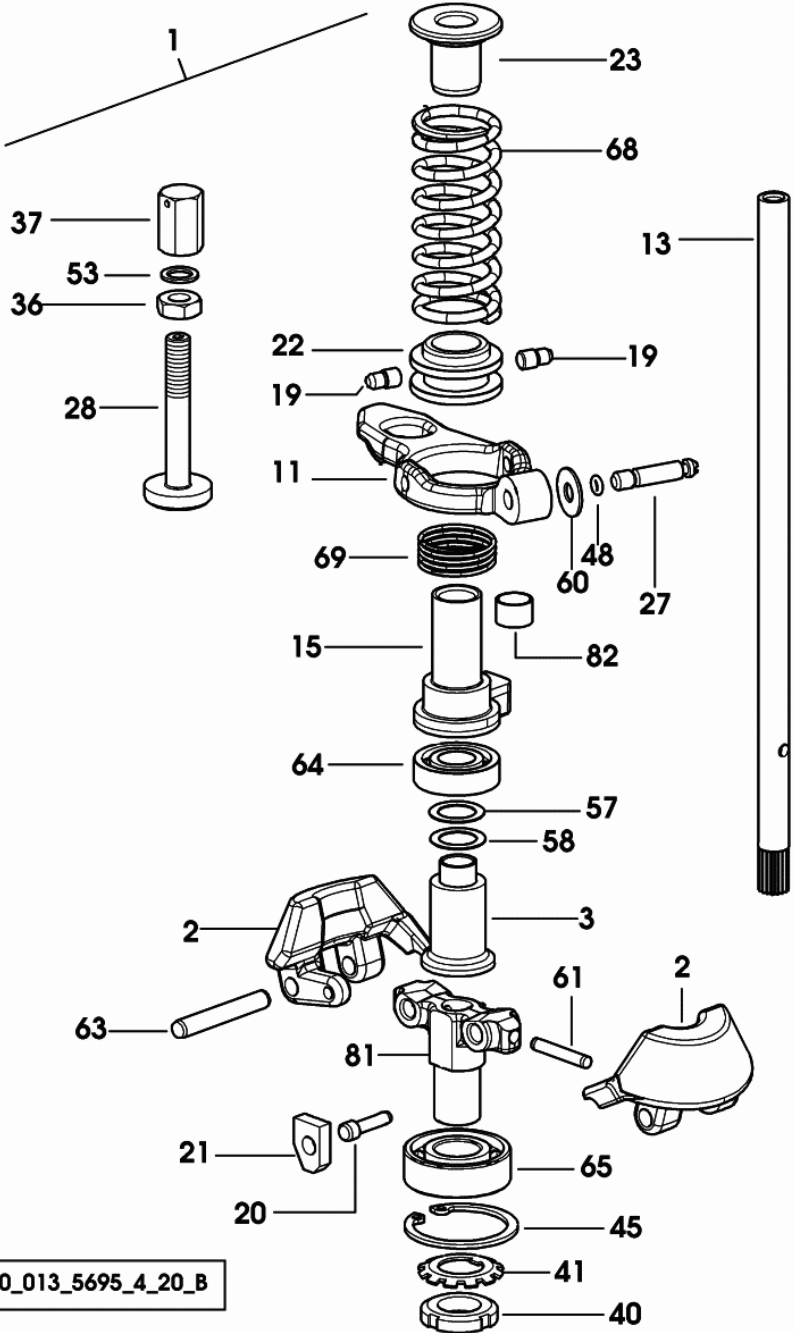
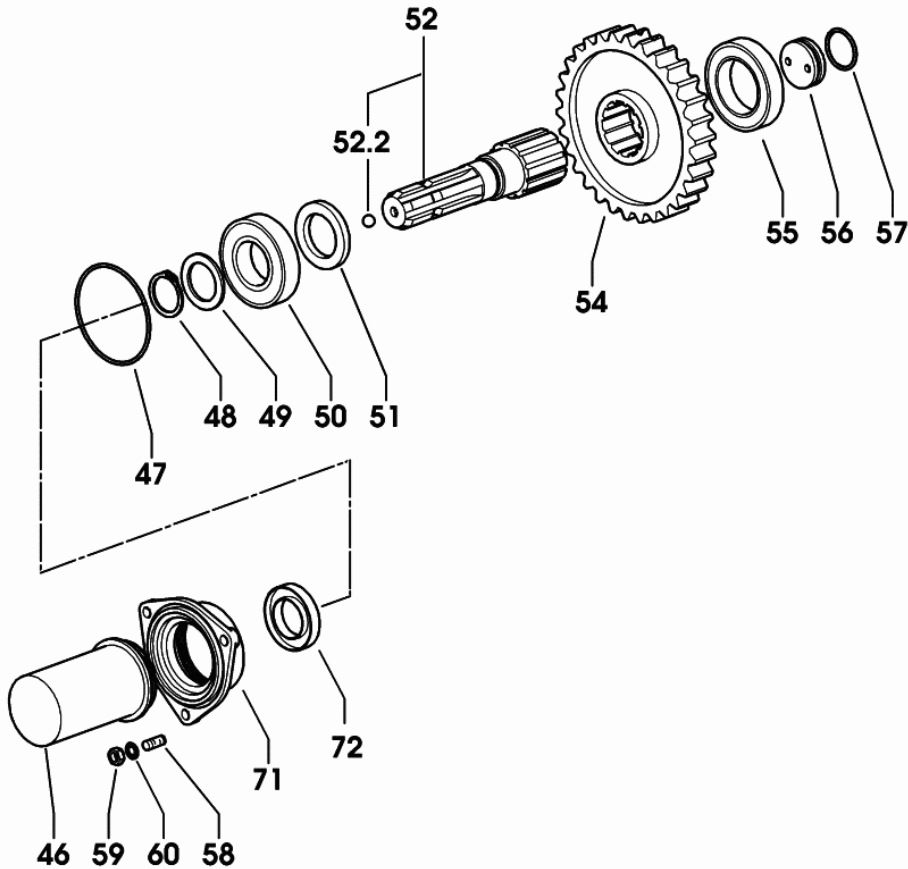


Fig.	Code	QTY	Name
1	0.013.5695.4/20	1	regulator
2	0.065.1616.0	2	adjust.rocker
3	0.065.1618.0	1	sleeve
11	0.066.1664.0	1	lever
13	0.065.1671.3/10	1	shaft
15	0.065.1670.0/10	1	sleeve
19	0.065.1681.0/10	2	pin
20	0.065.1682.0	1	pin
21	0.065.1683.0	2	tube
22	0.065.1684.0/10	1	sleeve
23	0.065.1685.0/10	1	sleeve
27	2.0399.101.7	1	screw m 6 x 30
28	2.0399.147.2	1	screw m 8 p.1x58
36	2.1011.505.2	3	nut m 8 p.1 x 8
37	2.1099.121.2/10	1	cap nut m 8 p.1 x 8
40	2.1211.003.2	1	ring nut 15 mc
41	2.1241.003.1	1	lock-nut 15
45	2.1411.014.1	1	circlip 35
48	2.1530.003.0	1	'o' ring 2.90x1.78
53	2.1560.003.0	3	gasket 8.2 x 12
57	2.1589.160.0	2	snoulder 12.5x18x0.5
58	2.1589.161.0	2	snoulder 12.5x18x0.2
60	2.1599.457.2	2	snoulder 6.2x16x1
61	2.1631.311.0	1	roll pin 3x24
63	2.1655.312.0	2	pin a 6x40
64	2.2030.002.0	1	ball bearing 12 x 28 x 8
65	2.2040.003.0	1	ball bearing iso 15 bc 02
68	2.4019.762.7	1	spring 29x68x3.4
69	2.4019.317.0	1	spring 25.4x24.5x1.4
81	0.065.1615.0/10	1	support
82	2.1555.005.0	2	bushing 10x12x10

0\_013\_5695\_4\_20\_B

**P.T.O. FRONT**

Fig.	Code	QTY	Name
46	0.154.3655.0/10	1	guard
47	2.1539.025.0/10	1	'o' ring 88.57 x 2.62
48	2.1412.013.7	1	ring Ø 35
49	2.1599.775.0	1	thrust plate 35 x 50 x 3.0
50	2.2043.012.0	1	ball bearing 40 x 80 x 18
51	2.1599.776.0	1	spacer 40 x 60 x 7.0
52	0.010.1377.3	1	shaft P.T.O.
52.2	2.2810.007.0	1	ball 13/32"
54	0.013.8681.0	1	gear Z = 49
55	2.2030.011.0	1	ball bearing 50 x 80 x 16
56	0.010.1380.0	1	plug
57	2.1530.091.0	1	'o' ring 34.60 x 2.62
58	2.0422.203.7	3	stud bolt m 8 p.1.25 x 20
59	2.1011.105.2	7	nut m 8 p.1.25
60	2.1470.004.2	7	washer 8
71	0.008.5180.0/30	1	flange
72	2.1520.117.0	1	oil seal 35 x 58 x 10



9\_D6059\_85\_0\_C

Agrocompact F100 (20")

Section: FRONT AND REAR P.T.O.

Ref.: 05.00.11

P.T.O. - WITH N° 540 - 750 + SINCRO

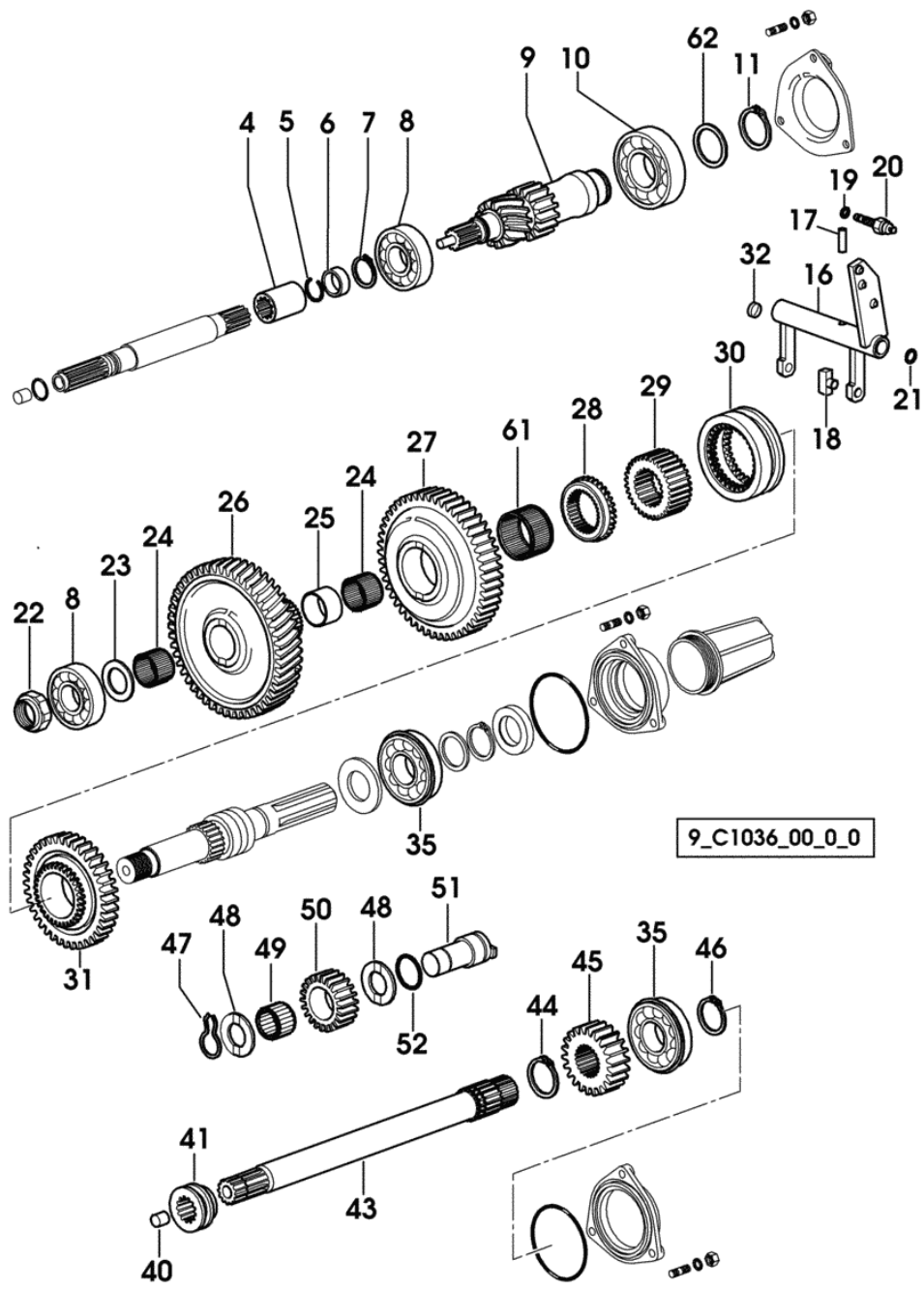


Fig.	Code	QTY	Name
47	2.1499.175.0/10	1	ring 25.5 x 1.5
48	2.1599.793.0	2	shoulder 32 x 50 x 4
49	2.2999.282.0	1	roller cage 28 x 38 x 25.5
50	0.010.7708.0	1	gear Z = 18 3003 <- X Agrocompact 70F3 (20") 3007 <- X Agrocompact F90 (24"-28") (...) <- X Agrocompact F100 (20")
50	0.013.8497.0	1	gear Z = 22 X Agrocompact 70F3(24"-28") -> 3004 X Agrocompact 70F3(20") X Agrocompact F75(24"-28") X Agrocompact F75(20") -> 3008 X Agrocompact F90(24"-28") X Agrocompact F90(20") X Agrocompact F100(24"-28") -> (...) X Agrocompact F100(20")
51	0.014.1953.0	1	p.t.o.shaft
52	2.1530.079.0	1	'o' ring 29.82 x 2.62
61	2.2999.363.0	1	roller cage
62	2.1599.414.0	1	shoulder 40 x 50 x 3.0

**Agrocompact F100 (20")**

Section: FRONT AND REAR P.T.O.

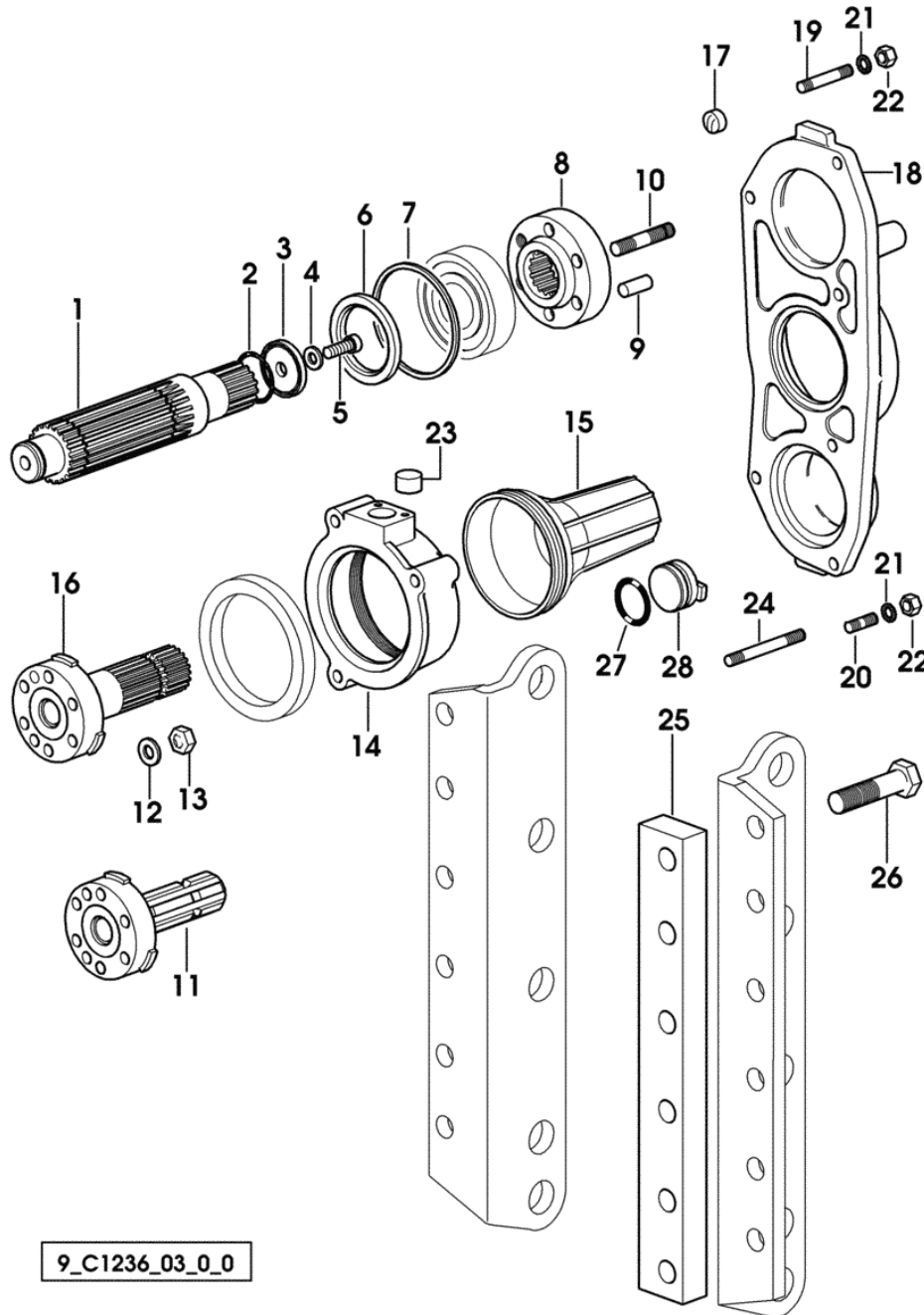
Ref.: 05.00.18

**P.T.O. - 540-1000 - WITH INSERTED END SHAFTS**

Fig.	Code	QTY	Name
------	------	-----	------

**Notes:**

3071 <- X Agrocompact 70F3 (24"-28") 3016 <- X Agrocompact F75 (24"-28") 3132 <- X Agrocompact F90 (24"-28") 1109 <- X Agrocompact F100 (24"-28") 5039 <- X Agrocompact 70F3 (20") 5014 <- X Agrocompact F75 (20") 5021 <- X Agrocompact F90 (20") 3018



1	0.012.0100.0/10	1	shaft
2	2.1531.091.0	1	'o' ring 34.60 x 2.62
3	0.011.6415.0	1	thrust plate
4	2.1475.203.7	1	washer 10.5
5	2.0313.308.2	1	screw m 10 x 25
6	2.1599.827.0	1	snoulder
7	2.1549.430.0	1	spacer 80x87x3
8	0.011.3229.0	1	flange
9	2.1651.811.0	2	cylindrical plug 10x24
10	2.0432.161.7	6	stud bolt m 10 p.1.5 / p.1.25 x 40
11	0.012.3833.0	1	p.t.o.shaft Z = 6
12	2.1470.006.2	6	lock washer 10
13	2.1011.421.2	6	nut m 10 p.1.25
14	0.012.3831.0	1	flange
15	0.008.0757.0	1	guard
16	0.012.3838.0	1	p.t.o.shaft Z = 21
17	2.3171.006.4	1	plug Ø 16
18	0.011.3261.0/20	1	cover
19	2.0422.215.7	1	stud bolt m 8 p.1.25 x 50
20	2.0422.203.7	4	stud bolt m 8 p.1.25 x 20
21	2.1470.004.2	7	washer 8
22	2.1011.105.2	7	nut m 8 p.1.25
23	2.3171.008.4	1	plug 20
24	2.0422.221.7	2	stud bolt m 8 p.1.25 x 80
25	0.011.3480.0	2	spacer 45 x 365 x 25
26	2.0112.623.2	12	screw m 16 p.2 x 70
27	2.1530.079.0	1	'o' ring 29.82 x 2.62
28	0.010.8141.0/10	1	plug
			3011 <- X Agrocompact 70F3 (24"-28")
			3011 <- X Agrocompact 70F3 (20")
			1020 <- X Agrocompact F75 (24"-28")
			1005 <- X Agrocompact F75 (20")
			3017 <- X Agrocompact F90 (24"-28")
			3004 <- X Agrocompact F90 (20")
			1018 <- X Agrocompact F100 (24"-28")
28	0.014.1957.0	1	plug
			-> 3012 X Agrocompact 70F3(24"-28")
			-> 3012 X Agrocompact 70F3(20")
			-> 1021 X Agrocompact F75(24"-28") 1/2

9\_C1236\_03\_0\_0

**PTO - 3-SPEED WITH INSERTED END SHAFT**

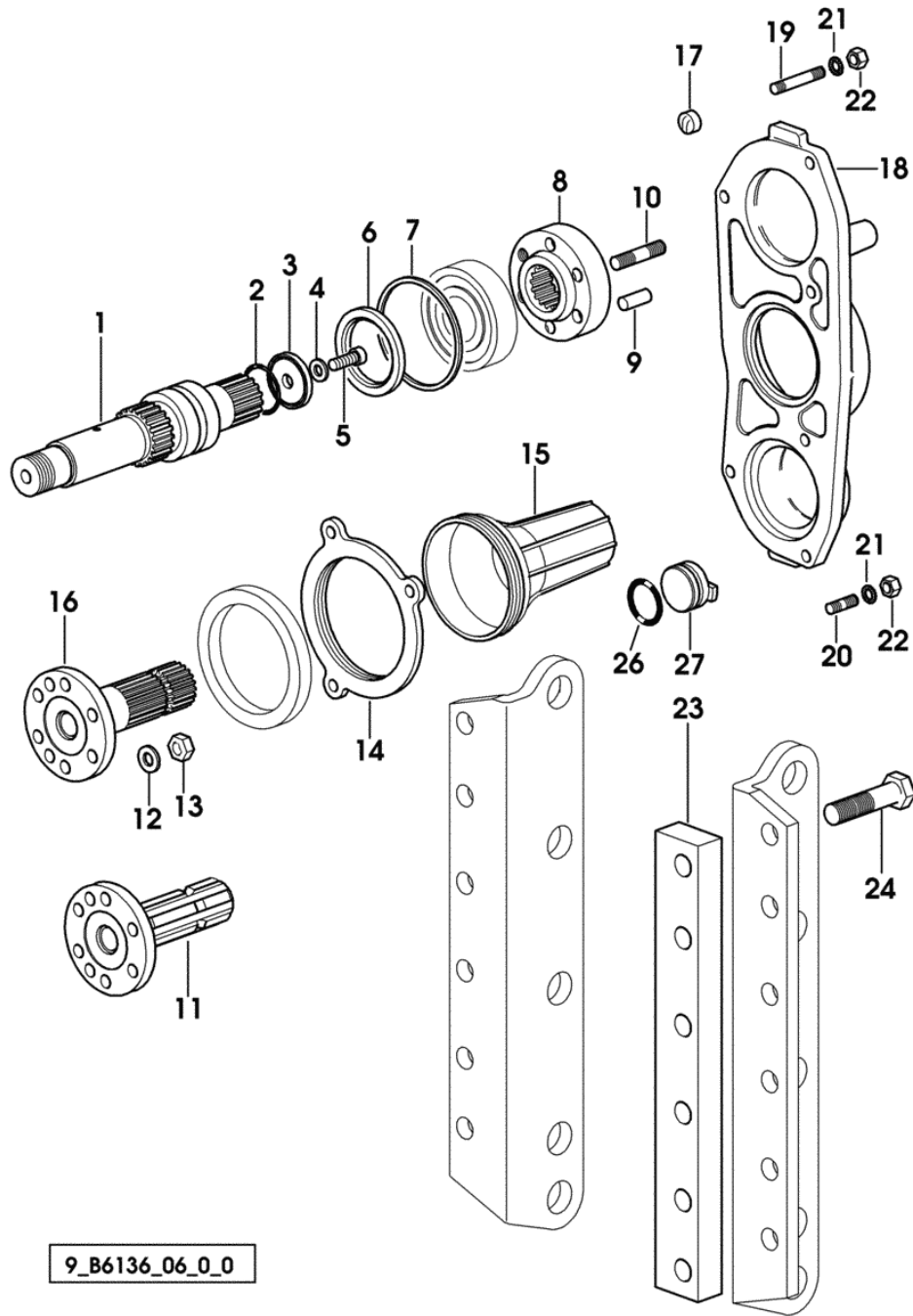


Fig.	Code	QTY	Name
------	------	-----	------

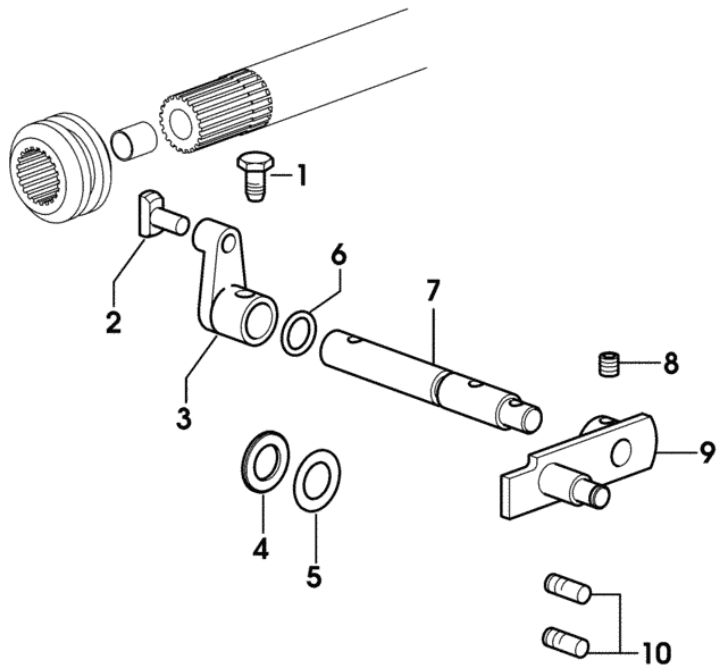
**Notes:**

3074 <- X Agrocompact 70F3 (24"-28") 5049 <- X Agrocompact 70F3 (20") 3021 <- X Agrocompact F75 (24"-28")  
 5015 <- X Agrocompact F75 (20") 3135 <- X Agrocompact F90 (24"-28") 5021 <- X Agrocompact F90 (20") 1113  
 <- X Agrocompact F100 (24"-28") 3018

1	0.011.9956.0	1	p.t.o.shaft
2	2.1531.091.0	1	'o' ring 34.60 x 2.62
3	0.011.6415.0	1	thrust plate
4	2.1475.203.7	1	washer 10.5
5	2.0313.308.2	1	screw m 10 x 25
6	2.1599.827.0	1	snoulder
7	2.1549.430.0	1	spacer 80x87x3
8	0.011.3229.0	1	flange
9	2.1651.811.0	2	cylindrical plug 10x24
10	2.0432.155.7	6	stud bolt m 10 p.1.5 / p. 1.25 x 25
11	0.011.3221.0	1	p.t.o.shaft Z = 6
12	2.1470.006.2	6	lock washer 10
13	2.1011.421.2	6	nut m 10 p.1.25
14	0.011.3274.0	1	cover
15	0.008.0757.0	1	guard
16	0.011.3227.0	1	p.t.o.shaft Z = 21
17	2.3171.006.4	1	plug Ø 16
18	0.011.3261.0/20	1	cover
19	2.0422.215.7	2	stud bolt m 8 p.1.25 x 50
20	2.0422.203.7	5	stud bolt m 8 p.1.25 x 20
21	2.1470.004.2	7	washer 8
22	2.1011.105.2	7	nut m 8 p.1.25
23	0.011.3480.0	2	spacer 45 x 365 x 25
24	2.0112.623.2	12	screw m 16 p.2 x 70
26	2.1530.079.0	1	'o' ring 29.82 x 2.62
27	0.010.8141.0/10	1	plug
			3011 <- X Agrocompact 70F3 (24"-28")
			3011 <- X Agrocompact 70F3 (20")
			1020 <- X Agrocompact F75 (24"-28")
			1005 <- X Agrocompact F75 (20")
			3017 <- X Agrocompact F90 (24"-28")
			3004 <- X Agrocompact F90 (20")
			1018 <- X Agrocompact F100 (24"-28")
27	0.014.1957.0	1	plug
			-> 3012 X Agrocompact 70F3(24"-28")
			-> 3012 X Agrocompact 70F3(20")
			-> 1021 X Agrocompact F75(24"-28")
			-> 1006 X Agrocompact F75(20")
			-> 3018 X Agrocompact F90(24"-28") <sup>1/2</sup>

**P.T.O. - 2 SPEED TYPE + SINCRO**

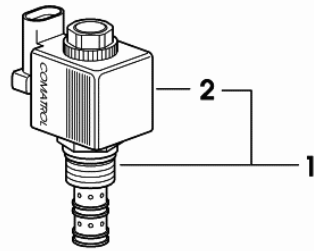
Fig.	Code	QTY	Name
1	2.0399.019.1	1	screw m 8 p.1 x 16
2	0.150.6833.0/10	1	shoe
3	0.008.5557.0/10	1	lever
4	2.1311.010.2	1	flat washer 16
5	2.1589.364.0	1	snoulder mm 0.50
6	2.1530.024.0	1	'o' ring 10.78 x 2.62
7	0.008.5291.0/10	1	pin
8	2.0512.102.7	1	screw m 6 p.1 x 8
9	0.010.1075.2/10	1	lever
10	2.0439.002.1	2	stud bolt m 8 p.1.25 x 20



9\_B6136\_03\_0\_0

**SOLENOID VALVE**

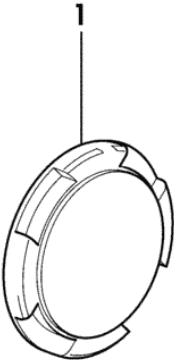
Fig.	Code	QTY	Name
1	2.3729.340.0/30	1	electro valve
2	0.010.2831.1	1	coil 13V - 20W



2\_3729\_340\_0\_30

**FRONT WHEEL HUB COVER**

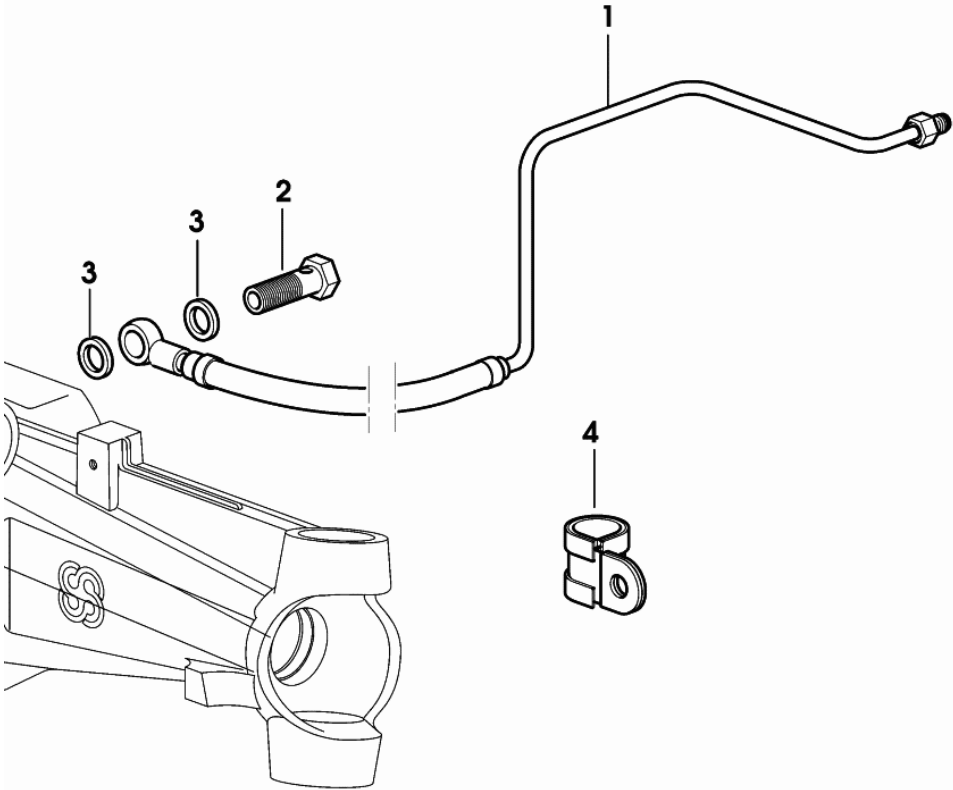
Fig.	Code	QTY	Name
1	0.012.7065.0	2	small cover



9\_70546\_10\_0\_0

Section: FRONT AXEL  
**FRONT DIFFERENTIAL LOCK CONTROL LINES**

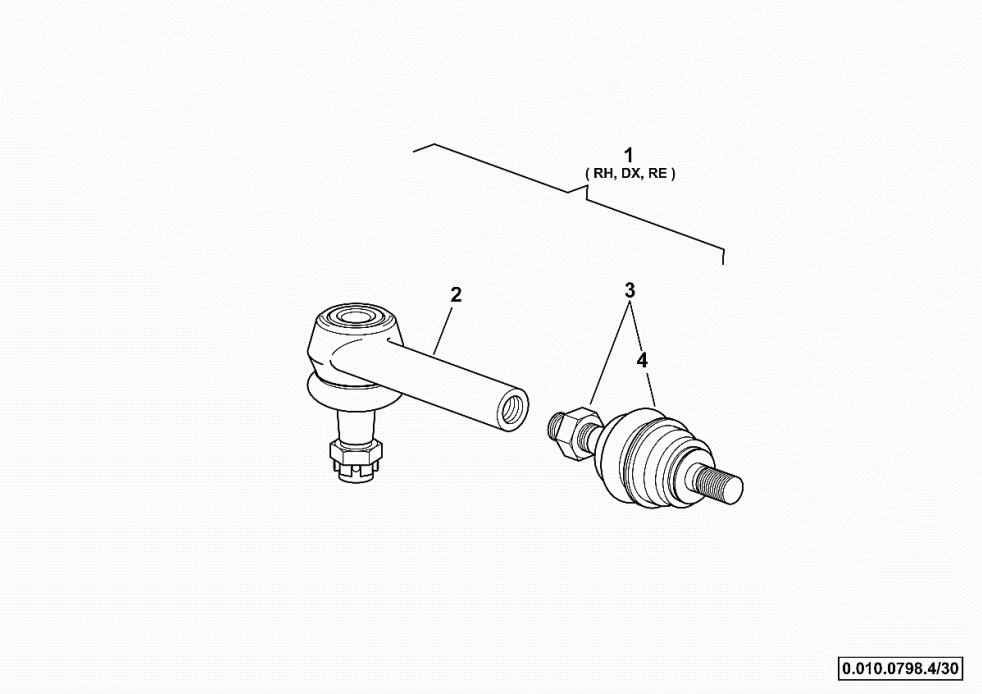
Fig.	Code	QTY	Name
1	0.010.9311.3	1	tube
2	2.3332.003.2	1	pipe union m 12 p.1.25 x 23
3	2.1560.008.0	2	gasket 12.2 x 18
4	2.6839.039.2	1	clamp Ø 20/25



9\_70582\_06\_0\_0

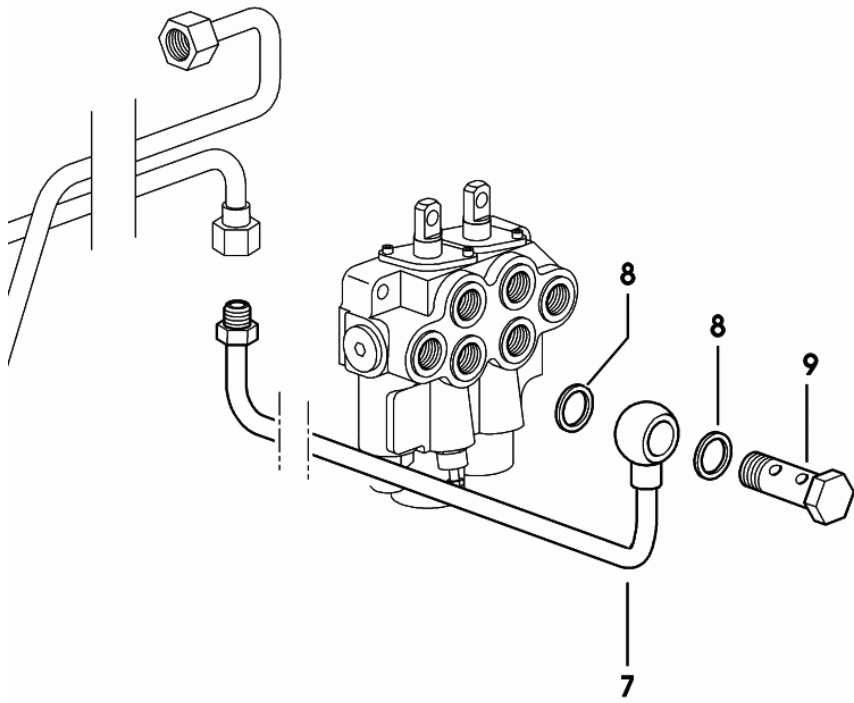
**ADJUSTABLE LIFT ROD PARTS**

Fig.	Code	QTY	Name
1	0.010.0798.4/30	1	adjustable tensioner dx/rh/re
2	0.010.3009.1	1	rod
3	0.010.2460.0	1	joint A = 125
4	0.010.2457.0	1	guard



**FRONT POWER LIFT - LEADS**

Fig.	Code	QTY	Name
7	0.010.9499.3	1	tube
8	2.1560.014.0	2	gasket 18.2 x 24 x 1.5
9	2.3339.485.2/10	1	pipe union m 18 p.1.5x55



9\_D6059\_81\_0\_B

Section: GEAR

4 SPEED GEARBOX WITH MINI REDUCTION GEAR

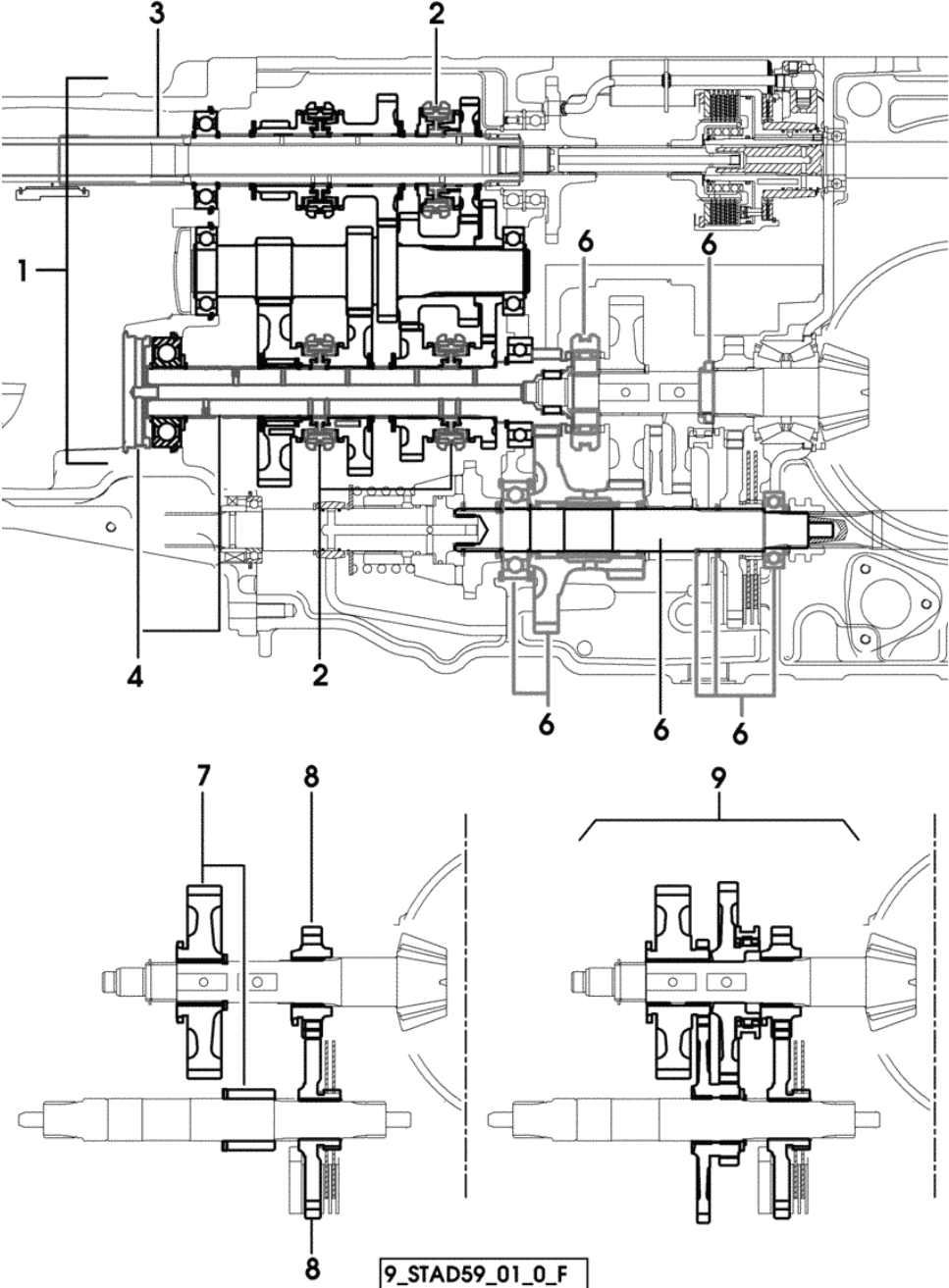


Fig.	Code	QTY	Name
------	------	-----	------

COMPONENT PARTS SEE  
 COMPONENTS LIST  
 ☞ 02.00.44  
 ☞ 02.00.43  
 ☞ 02.00.42

9\_STAD59\_01\_0\_F

Section: GEAR  
**CLUTCH CONTROL**

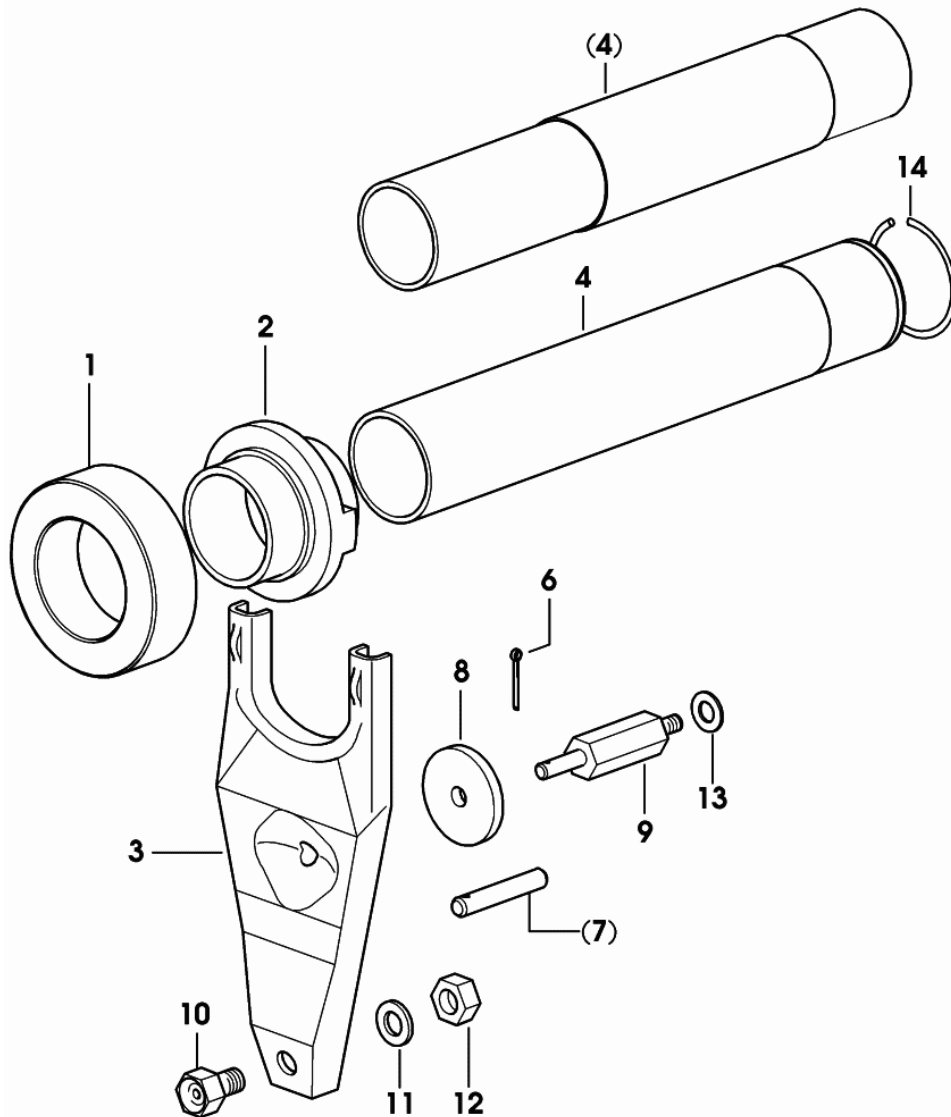


Fig.	Code	QTY	Name
1	2.2999.475.0	1	bearing 55x90x22
2	0.255.6533.0/30	1	sleeve
3	0.009.7022.0/10	1	fork
4	0.013.9852.0/10	1	tube
6	2.1690.206.2	1	split pin 2x16
8	2.1599.496.0/10	1	snoulder 8x40x5
9	0.010.5061.0/20	1	pin mm 93.5
10	2.0399.202.7/10	1	screw m 10 p1.5x16
11	2.1475.003.2	1	washer 10
12	2.1011.106.2	1	nut m 10 p.1.5
13	2.1475.003.2	1	washer 10
14	2.1420.018.1	1	circlip 45

9\_70565\_00\_0\_0

**COVER FOR TYPES WITHOUT SYNCHRO PTO**

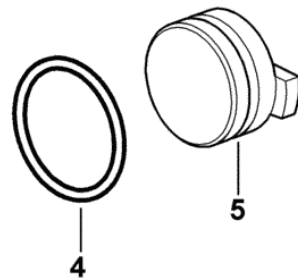
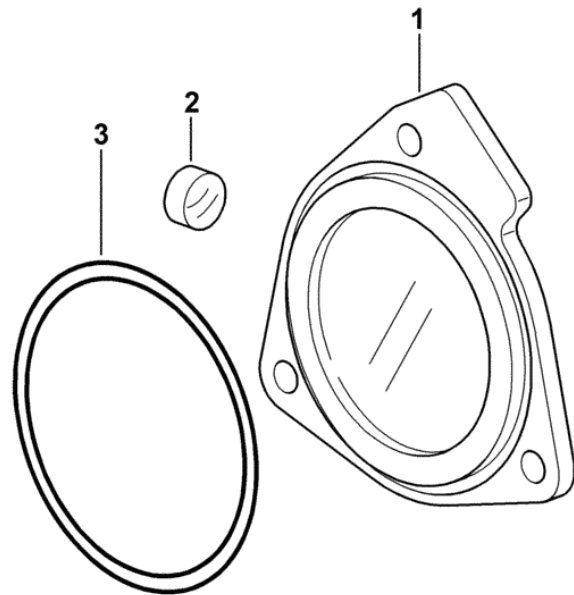


Fig.	Code	QTY	Name
1	0.008.4984.2/30	1	cover
2	2.3171.006.4	1	plug Ø 16
3	2.1539.025.0/10	1	'o' ring 88.57 x 2.62
4	2.1530.079.0	1	'o' ring 29.82 x 2.62
5	0.010.8141.0/10	1	plug 3011 <- X Agrocompact 70F3 (24"-28") 3011 <- X Agrocompact 70F3 (20") 1020 <- X Agrocompact F75 (24"-28") 1005 <- X Agrocompact F75 (20") 3017 <- X Agrocompact F90 (24"-28") 3004 <- X Agrocompact F90 (20") 1018 <- X Agrocompact F100 (24"-28")
5	0.014.1957.0	1	plug -> 3012 X Agrocompact 70F3(24"-28") -> 3012 X Agrocompact 70F3(20") -> 1021 X Agrocompact F75(24"-28") -> 1006 X Agrocompact F75(20") -> 3018 X Agrocompact F90(24"-28") -> 3005 X Agrocompact F90(20") -> 1019 X Agrocompact F100(24"-28") X Agrocompact

**GEAR CHANGE BOX 5 SPEED - FOR TYPES WITH H-M-L- (POWERSHIFT)**

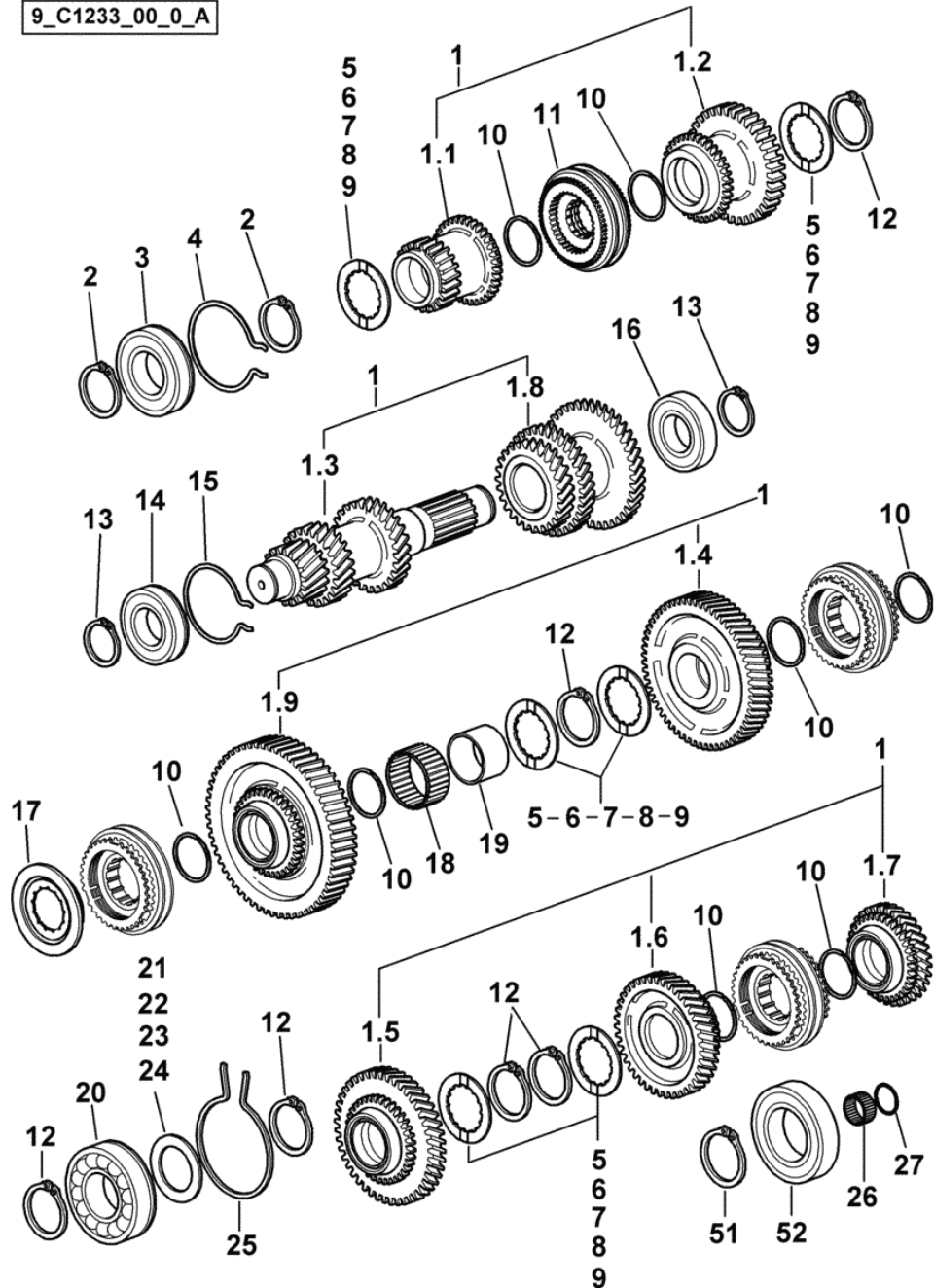
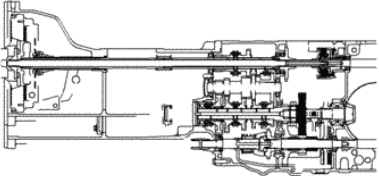
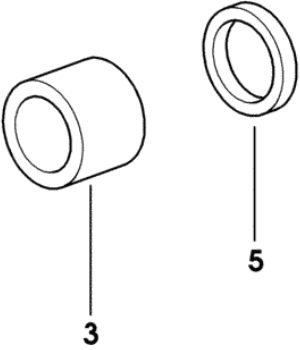
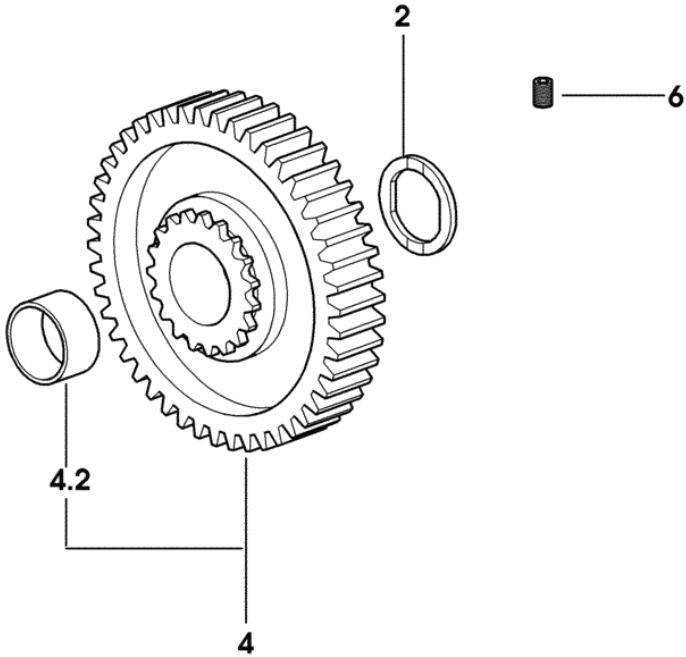


Fig.	Code	QTY	Name
27	2.1423.026.7	1	circlip 35 x 1.5
51	2.1410.020.1	1	circlip 50
52	2.2043.014.0	1	ball bearing 50 x 90 x 20

Section: GEAR  
2-RANGE BOX

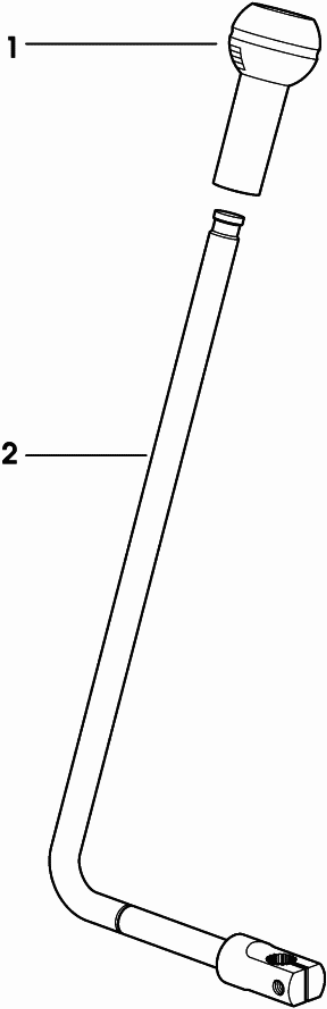
Fig.	Code	QTY	Name
2	2.1599.611.0	1	shoulder 34 x 45 x 3.5
3	2.1549.053.0/10	1	spacer 35 x 50 x 39
4	0.010.5211.3/10	1	gear Z = 45
4.2	2.1559.426.0	1	bushing 34.50 x 38 x 37.5
5	2.1549.313.0	1	spacer 38.5 x 50 x 8.5
6	2.0512.201.7	1	grain m 8 p.1.25 x 6



9\_70534\_04\_0\_0

Section: GEAR  
**GEAR SHIFTING**

Fig.	Code	QTY	Name
1	0.467.6413.0	1	knob
2	0.010.4535.3/30	1	lever



9\_70564\_02\_0\_0

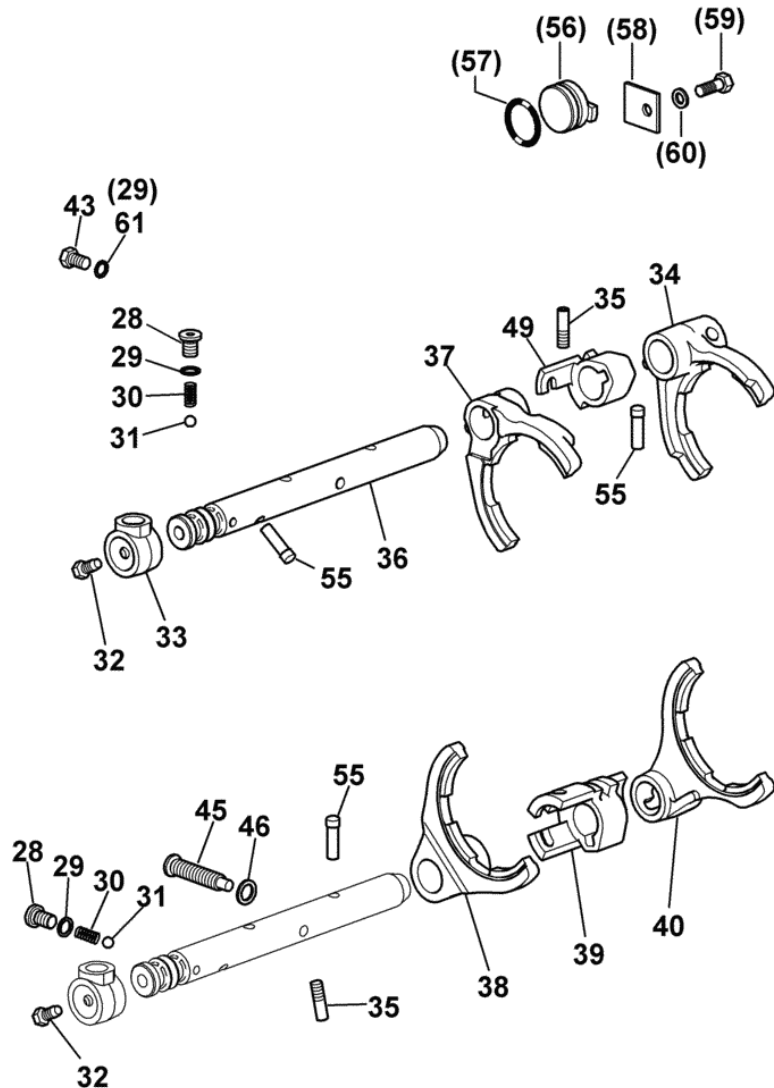
Section: GEAR

4 SPEED GEARBOX WITH MINI REDUCTION GEAR

Fig.	Code	QTY	Name
------	------	-----	------

Notes:

(...) <- X Agrocompact 70F3 (24"-28") (...)<- X Agrocompact 70F3 (20") (...)<- X Agrocompact F75 (24"-28")  
 (...) <- X Agrocompact F75 (20") (...)<- X Agrocompact F90 (24"-28") (...)<- X Agrocompact F90 (20") (...)<- X Agrocompact F100 (24"-28")



9\_C1033\_00\_0\_B

28	2.3199.238.2	2	plug m 10
29	2.1560.005.0	3	gasket 10.2 x 14
			3038 <- X Agrocompact 70F3 (24"-28")
			3082 <- X Agrocompact F90 (24"-28")
			1070 <- X Agrocompact F100 (24"-28")
29	2.1560.005.0	2	gasket 10.2 x 14
			-> 3039 X Agrocompact 70F3(24"-28")
			X Agrocompact 70F3(20")
			X Agrocompact F75(24"-28")
			X Agrocompact F75(20")
			-> 3083 X Agrocompact F90(24"-28")
			X Agrocompact F90(20")
			-> 1071 X Agrocompact F100(24"-28")
			X Agrocompact F100(20")
30	2.4019.670.1	2	spring 5 x 8 x 1.5 x 22.5
31	2.2810.004.0	2	ball 5/16"
32	2.0399.019.1	2	screw m 8 p.1 x 16
33	0.008.5226.0/20	1	hub
34	0.013.1661.0/10	1	fork
35	2.0599.086.0/40	2	grain m 8 p.1.25 x 28
36	0.010.0543.0/20	1	rod
37	0.013.2469.0/10	1	fork
38	0.009.6750.0	1	fork # 2 / # 3
39	0.008.5152.0/40	1	hub
40	0.009.7080.0	1	fork # 4 / # 5
43	2.0119.180.2	1	screw m 10x24
			3038 <- X Agrocompact 70F3 (24"-28")
			3082 <- X Agrocompact F90 (24"-28")
			1070 <- X Agrocompact F100 (24"-28")
43	2.0122.209.2	1	screw m 8 p.1 x 25
			-> 3039 X Agrocompact 70F3(24"-28")
			X Agrocompact 70F3(20")
			X Agrocompact F75(24"-28")
			X Agrocompact F75(20")
			-> 3083 X Agrocompact F90(24"-28")
			X Agrocompact F90(20")
			-> 1071 X Agrocompact F100(24"-28")
			X Agrocompact F100(20")
45	2.0399.206.2	2	screw m 12 p.1.75 x 56.5

Section: GEAR

**5 SPEED GEARBOX - WITH HML POWERSHIFT - "OVER SPEED"**

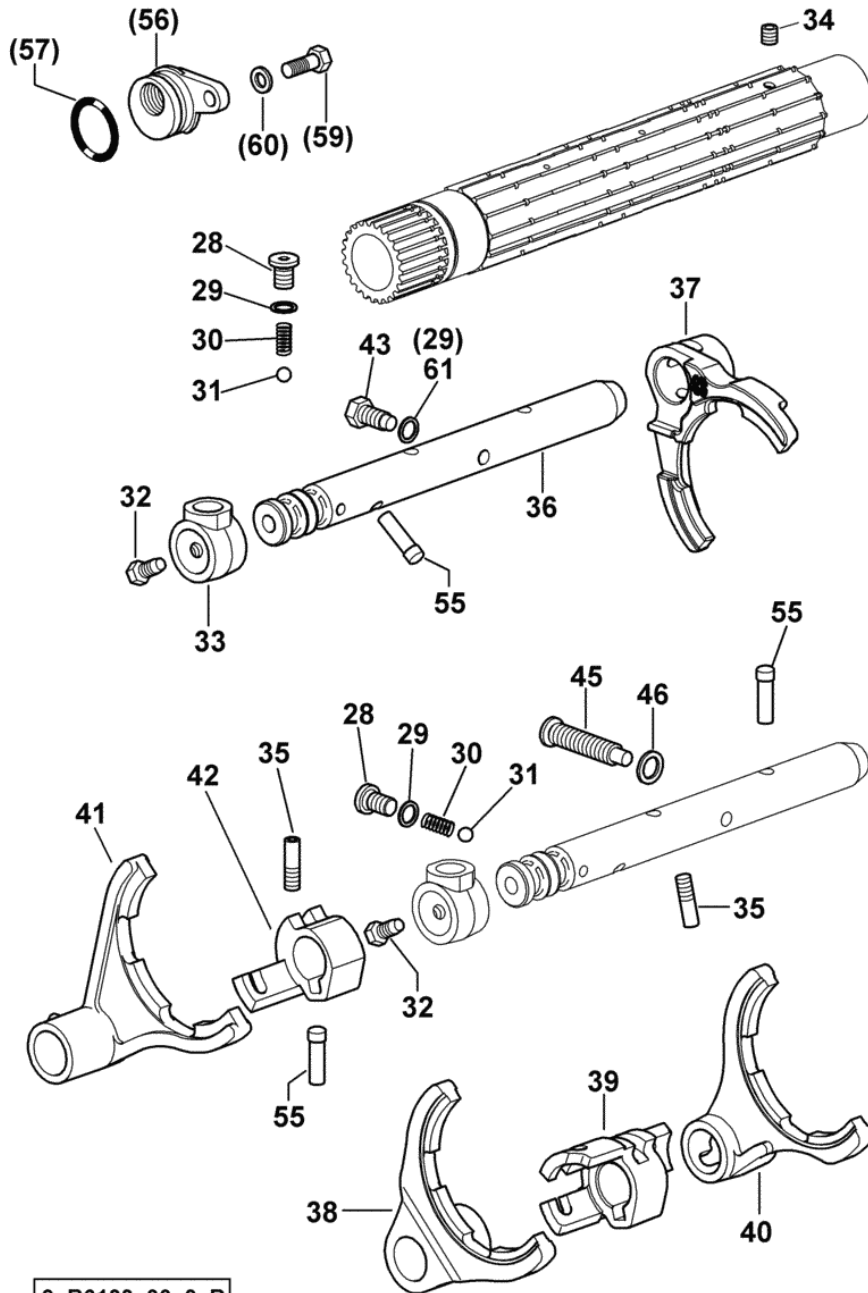


Fig.	Code	QTY	Name
------	------	-----	------

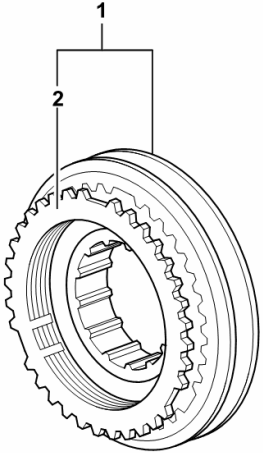
Notes:

-> 3014 X Agrocompact 70F3(24"-28") -> 3015 X Agrocompact 70F3(20") -> 1026 X Agrocompact F75(24"-28") -> 1006 X Agrocompact F75(20") -> 3032 X Agrocompact F90(24"-28") -> 3007 X Agrocompact F90(20") -> 1028 X Agrocompact F100(24"-28") -> 1007 X Ag

28	2.3199.238.2	2	plug m 10
29	2.1560.005.0	3	gasket 10.2 x 14
			3038 <- X Agrocompact 70F3 (24"-28")
			3082 <- X Agrocompact F90 (24"-28")
			1070 <- X Agrocompact F100 (24"-28")
29	2.1560.005.0	2	gasket 10.2 x 14
			-> 3039 X Agrocompact 70F3(24"-28")
			X Agrocompact 70F3(20")
			X Agrocompact F75(24"-28")
			X Agrocompact F75(20")
			-> 3083 X Agrocompact F90(24"-28")
			X Agrocompact F90(20")
			-> 1071 X Agrocompact F100(24"-28")
			X Agrocompact F100(20")
30	2.4019.670.1	2	spring 5 x 8 x 1.5 x 22.5
31	2.2810.004.0	2	ball 5/16"
32	2.0399.019.1	2	screw m 8 p.1 x 16
33	0.008.5226.0/20	1	hub
34	2.0599.089.7	2	grain m 5 p.0.8 x 50
35	2.0599.086.0/40	2	grain m 8 p.1.25 x 28
36	0.010.0543.0/20	1	rod
37	0.013.2469.0/20	1	fork
38	0.009.6750.0	1	fork # 2 / # 3
39	0.008.5152.0/50	1	hub
40	0.009.7080.0	1	fork # 4 / # 5
41	0.009.6749.0	1	fork # 1
42	0.008.5198.0/40	1	hub
43	2.0119.180.2	1	screw m 10x24
			3038 <- X Agrocompact 70F3 (24"-28")
			3082 <- X Agrocompact F90 (24"-28")
			1070 <- X Agrocompact F100 (24"-28")
43	2.0122.209.2	1	screw m 8 p.1 x 25
			-> 3039 X Agrocompact 70F3(24"-28")
			X Agrocompact 70F3(20")
			X Agrocompact F75(24"-28")
			X Agrocompact F75(20")
			-> 3083 X Agrocompact F90(24"-28")
			X Agrocompact F90(20")
			-> 1071 X Agrocompact F100(24"-28") <sup>1/3</sup>

Section: GEAR  
**SYNCHRONIZER PARTS**

Fig.	Code	QTY	Name
1	0.007.7621.4	1	lock synchronizer 62
2	0.010.2136.0	1	ring



007\_7621\_4

Section: REAR AXLE  
**HAND BRAKE**

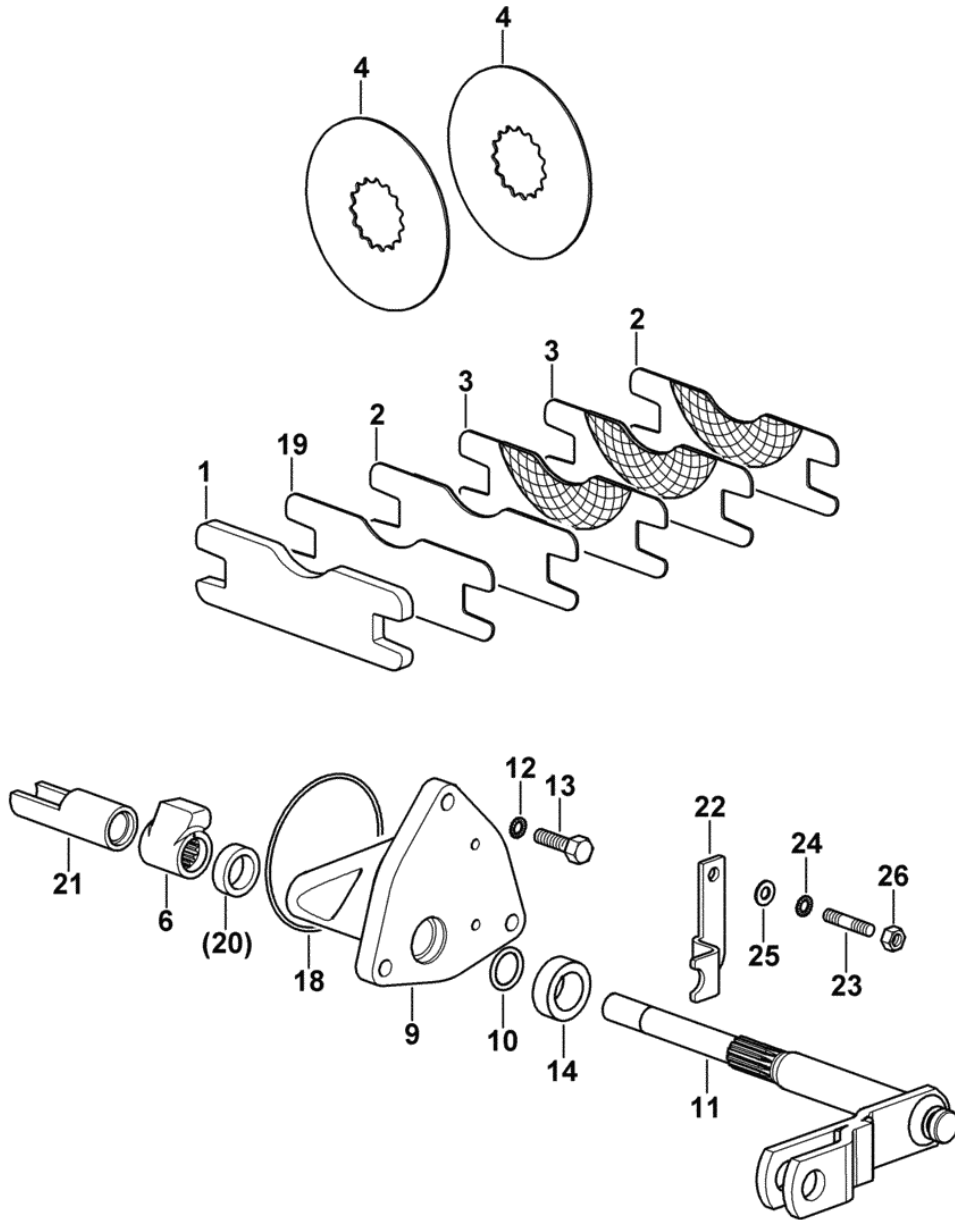


Fig.	Code	QTY	Name
1	0.008.5196.0/10	1	plate
2	0.014.4909.2	2	sector
3	0.014.4911.2	2	sector
4	0.008.5191.0	2	brake disc
6	0.171.5453.0	1	lever 3068 <- X Agrocompact 70F3 (24"-28") 5034 <- X Agrocompact 70F3 (20") 3013 <- X Agrocompact F75 (24"-28") 5011 <- X Agrocompact F75 (20") 3117 <- X Agrocompact F90 (24"-28") 5017 <- X Agrocompact F90 (20") 1099 <- X Agrocompact F100 (24"-28") 3014
6	0.014.8511.0	1	lever -> 3069 X Agrocompact 70F3(24"-28") -> 5035 X Agrocompact 70F3(20") -> 3014 X Agrocompact F75(24"-28") -> 5012 X Agrocompact F75(20") -> 3118 X Agrocompact F90(24"-28") -> 5018 X Agrocompact F90(20") -> 1100 X Agrocompact F100(24"-28") -> 3015 X Ag
9	0.008.4978.0/50	1	cover 3068 <- X Agrocompact 70F3 (24"-28") 5034 <- X Agrocompact 70F3 (20") 3013 <- X Agrocompact F75 (24"-28") 5011 <- X Agrocompact F75 (20") 3117 <- X Agrocompact F90 (24"-28") 5017 <- X Agrocompact F90 (20") 1099 <- X Agrocompact F100 (24"-28") 3014
9	0.008.4978.0/60	1	cover -> 3069 X Agrocompact 70F3(24"-28") -> 5035 X Agrocompact 70F3(20") -> 3014 X Agrocompact F75(24"-28") -> 5012 X Agrocompact F75(20") -> 3118 X Agrocompact F90(24"-28") -> 5018 X Agrocompact F90(20") -> 1100 X Agrocompact F100(24"-28") -> 3015 X Ag
10	2.1530.056.0	1	'o' ring 21.82 x 3.53 3068 <- X Agrocompact 70F3 (24"-28") 5034 <- X Agrocompact 70F3 (20") 3013 <- X Agrocompact F75 (24"-28") <sup>1/3</sup>

**LIFTING**

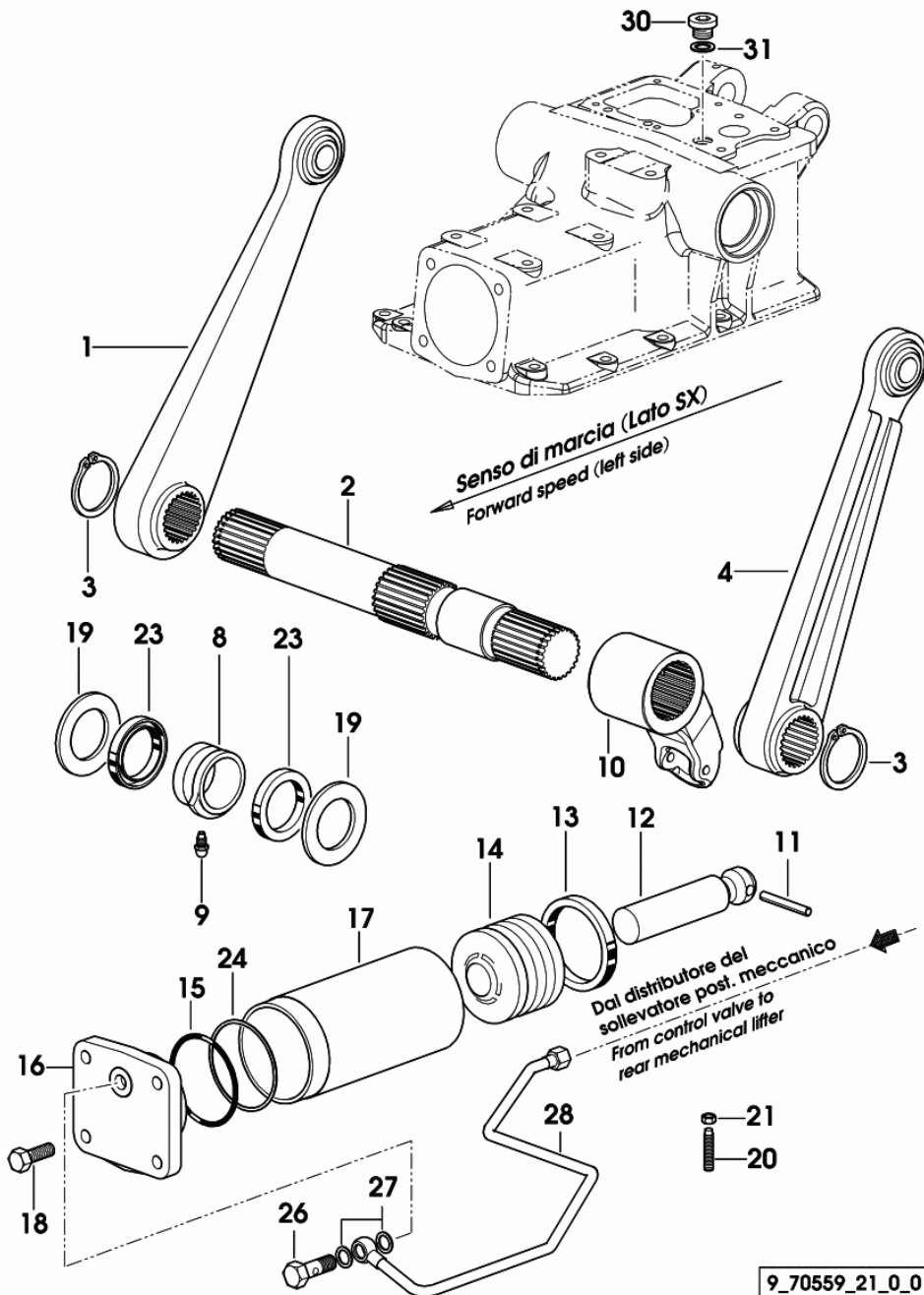
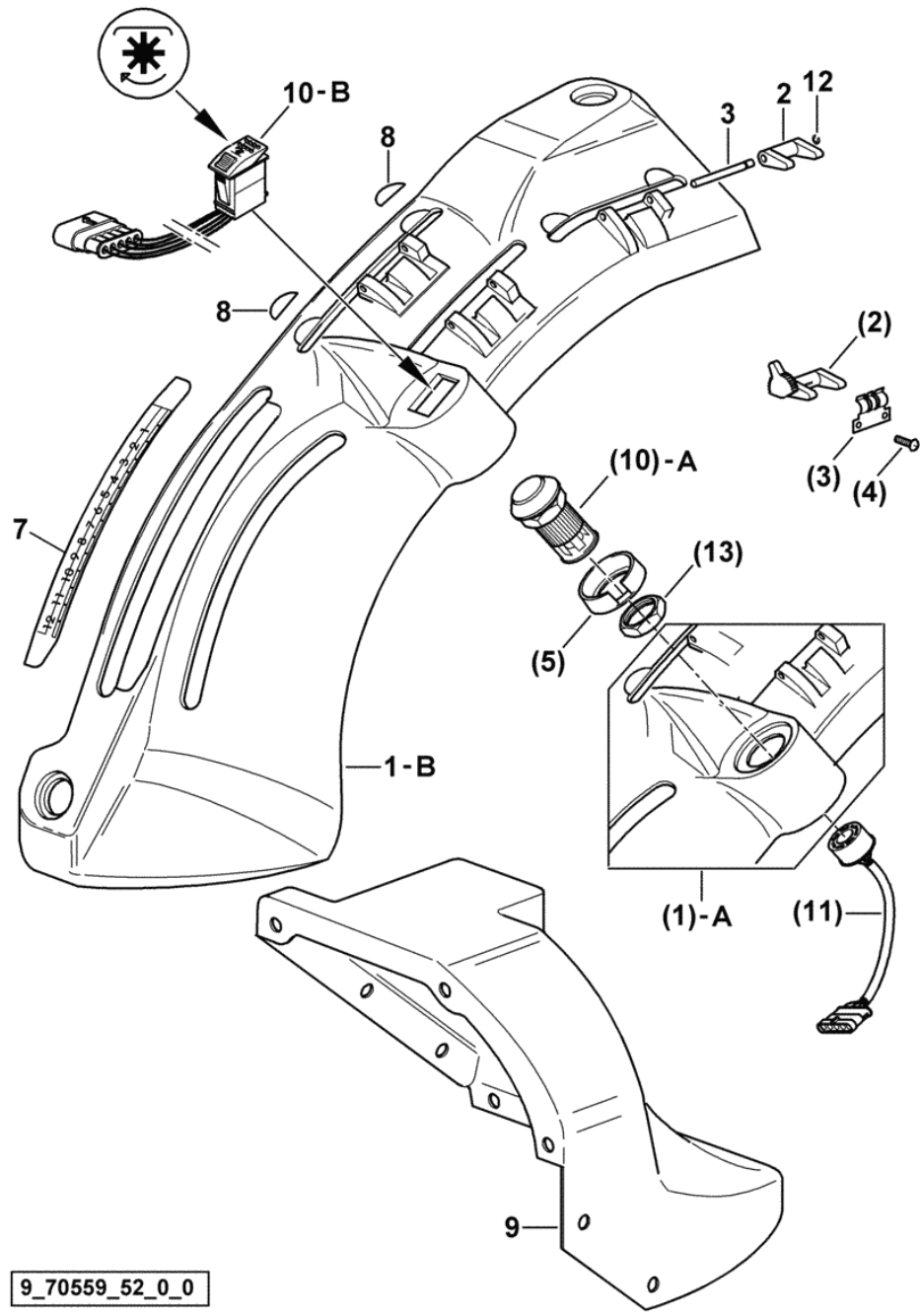


Fig.	Code	QTY	Name
1	0.010.4984.3/10	1	lift lever dx/rh/re
2	0.009.2374.0/30	1	shaft L = mm 445
3	2.1410.020.1	2	circlip 50
4	0.010.6835.3/10	1	lift lever sx/lh/li
8	0.009.2377.0/30	1	spacer
9	0.009.2378.0/30	1	pin
10	0.009.2379.0/70	1	lever
11	2.1631.721.0	1	roll pin 8 x 60
12	0.009.2380.0	1	connecting rod
13	2.1518.105.0	1	'o' ring 75 x 90
14	0.9002.311.0/20	1	piston
15	2.1531.184.0	1	'o' ring 82.14 x 3.53
16	0.009.2381.0/20	1	flange
17	0.009.2382.0/20	1	cylinder
18	2.0122.463.2	4	screw m 12 p.1.25 x 35
19	2.1599.609.2	2	snoulder
20	2.0522.216.7	1	grain m 8 p.1.25 x 40
21	2.1011.105.2	1	nut m 8 p.1.25
23	2.1520.026.0	2	oil seal 50 x 68 x 10
24	2.1539.156.0	1	'o' ring 82 x 88 x 1.27
26	2.3335.006.2	1	pipe union m 14 p.1.5x24
27	2.1560.010.0	2	gasket 14.2 x 20 x 1.5
28	0.010.9335.3	1	tube
30	2.3120.002.4	1	plug m 22 x 1.5
31	2.1560.017.0	1	gasket 22.2 x 27

Section: S.A.C.

**CONTROL CONSOLE FOR POWER-LIFT**

Fig.	Code	QTY	Name
1	0.012.6848.0	1	consolle dx/rh/re - B
2	0.011.6359.0	3	fork
3	0.011.6360.0	3	pin
7	0.010.7140.0	0	plate
8	0.010.7141.0/10	1	plate
9	0.010.9421.0/20	1	splash-guards dx/rh/re
10	2.7659.252.0	1	switch P.T.O. - B
12	2.1430.004.7	3	circlip 3.2



9\_70559\_52\_0\_0

## Agrocompact F100 (20")

### POWER STEERING - HYDRAULIC SYSTEM

#### GENERAL

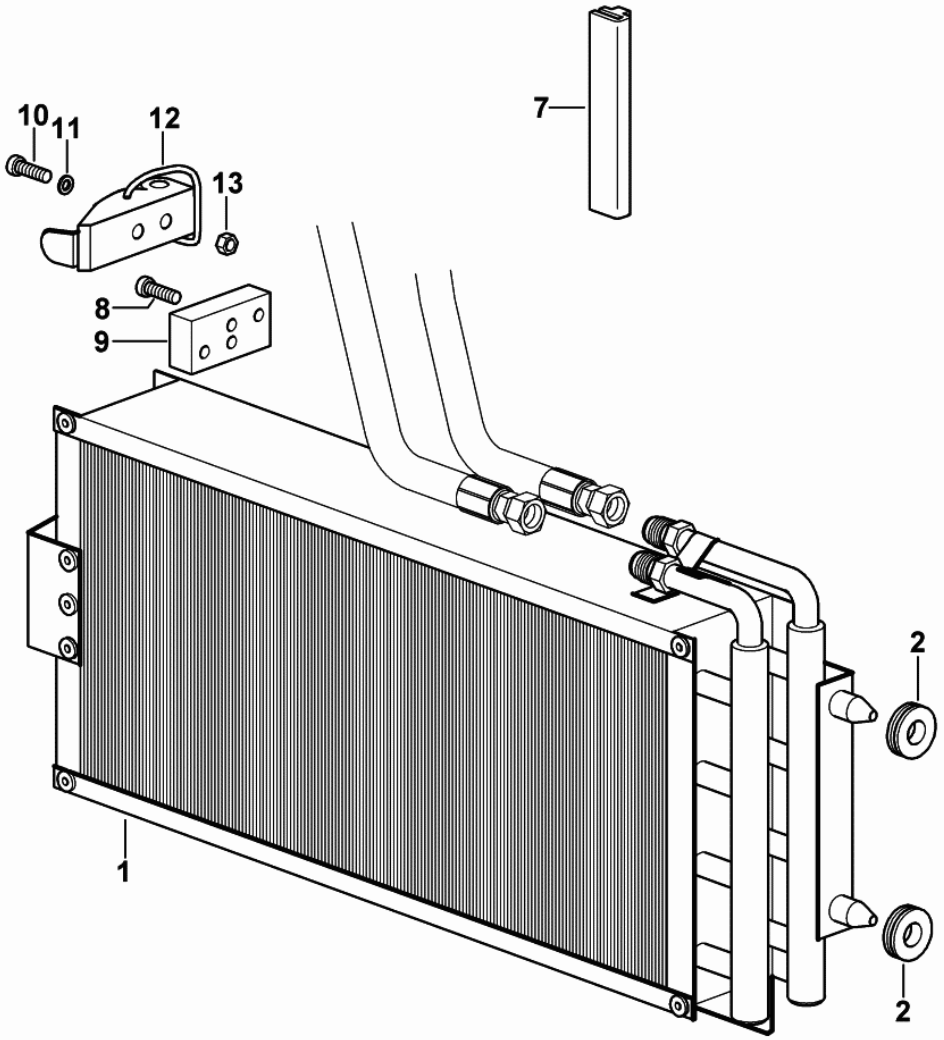
STEERING CONTROL WITH ADJUSTABLE STEERING WHEEL.....	06.00.1
STEERING CONTROL WITH ADJUSTABLE STEERING WHEEL.....	06.00.2
STEERING WHEEL CAP.....	06.00.3
4WD - POWER STEERING DANFOSS - 80.....	06.00.5
POWER STEERING.....	06.00.6
POWER STEERING.....	06.00.7
POWER STEERING.....	06.00.8
SEPARATOR - FOR TYPES WITHOUT SAFETY FRAME.....	06.00.9
4WD - POWER STEERING.....	06.00.17
GEARBOX OIL COOLER.....	06.00.18
GEARBOX OIL COOLER.....	06.00.19
GEARBOX OIL COOLER PIPES.....	06.00.21
COMMON HYDRAULIC SYSTEM.....	06.00.22
GEAR BOX OIL FEED PIPES.....	06.00.23
PUMP FILTER SUCTION.....	06.00.24
OIL FILTER 6 ".....	06.00.27
COMMON HYDRAULIC SYSTEM.....	06.00.28
HYDRAULIC PUMP 11 cc sx/lh/li.....	06.00.29
HYDRAULIC PUMP 19 cc - dx/rh/re.....	06.00.30
HYDRAULIC PUMP 22.5 cc - dx/rh/re.....	06.00.31
HYDRAULIC PUMP 14 + 11cc - dx/rh/re.....	06.00.32
STANDARD 14+11/19CC PUMP PARTS KIT.....	06.00.33
STANDARD 22.5CC PUMP PARTS KIT.....	06.00.34
STANDARD SYSTEM PARTS KIT.....	06.00.35
ELECTRO-HYDRAULIC THREE-POINT HITCH PARTS KIT.....	06.00.36
OIL FLOW CONTROL VALVE CASING - ELECTROHYDR. CONTROLS.....	06.00.37
OIL FLOW CONTROL VALVE CASING - ELECTROHYDR. CONTROLS.....	06.00.38
OIL FLOW CONTROL VALVE CASING - FOR TYPES WITHOUT H-M-L (POWERSHIFT).....	06.00.39
H-M-L - HYDRAULIC CONTROL (GEARSHIFT).....	06.00.40
HYDR. STEERING DISTRIBUTOR PARTS.....	0.290.6310.4/10.A
SOLENOID VALVE 13 V - 20 W, ON/OFF 3/2.....	2.3729.697.0/10.A
DETAILS OF OIL FILTER.....	2.4419.720.0.A
HYDRAULIC PUMP PARTS.....	2.4529.950.0.A
HYDRAULIC PUMP PARTS.....	2.4529.960.0.A
HYDRAULIC PUMP PARTS.....	2.4539.620.0.A
HYDRAULIC PUMP PARTS.....	2.4539.700.0.A
PUMP-COMPONENTS.....	2.4539.710.0.A

**GEARBOX OIL COOLER**

Fig.	Code	QTY	Name
------	------	-----	------

**Notes:**

3084 <- X Agrocompact 70F3 (24"-28") 5052 <- X Agrocompact 70F3 (20") 3021 <- X Agrocompact F75 (24"-28")  
 5017 <- X Agrocompact F75 (20") 3146 <- X Agrocompact F90 (24"-28") 5028 <- X Agrocompact F90 (20") 1119  
 <- X Agrocompact F100 (24"-28") 3018



1	0.010.9570.2/10	1	oil cooler
2	2.6560.004.0	2	wire guide 10x2.5
7	0.012.6434.0/10	1	gasket mm 65
8	2.0312.702.2	2	screw m 4.0 x 12
9	0.012.2788.0/10	1	small block
10	2.0332.204.2	1	screw m 4x0.7x12
11	2.1470.052.2	1	lock washer 4
12	0.008.9632.0	1	clevis
13	2.1011.101.2	1	nut m 4 p.0.7

9\_70682\_07\_0\_0

**HYDRAULIC PUMP 22.5 cc - dx/rh/re**

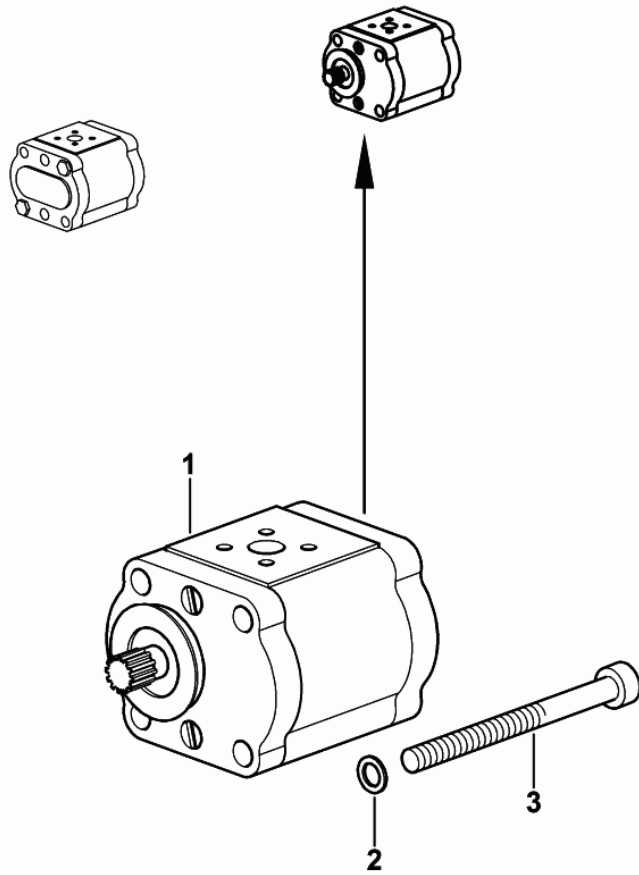
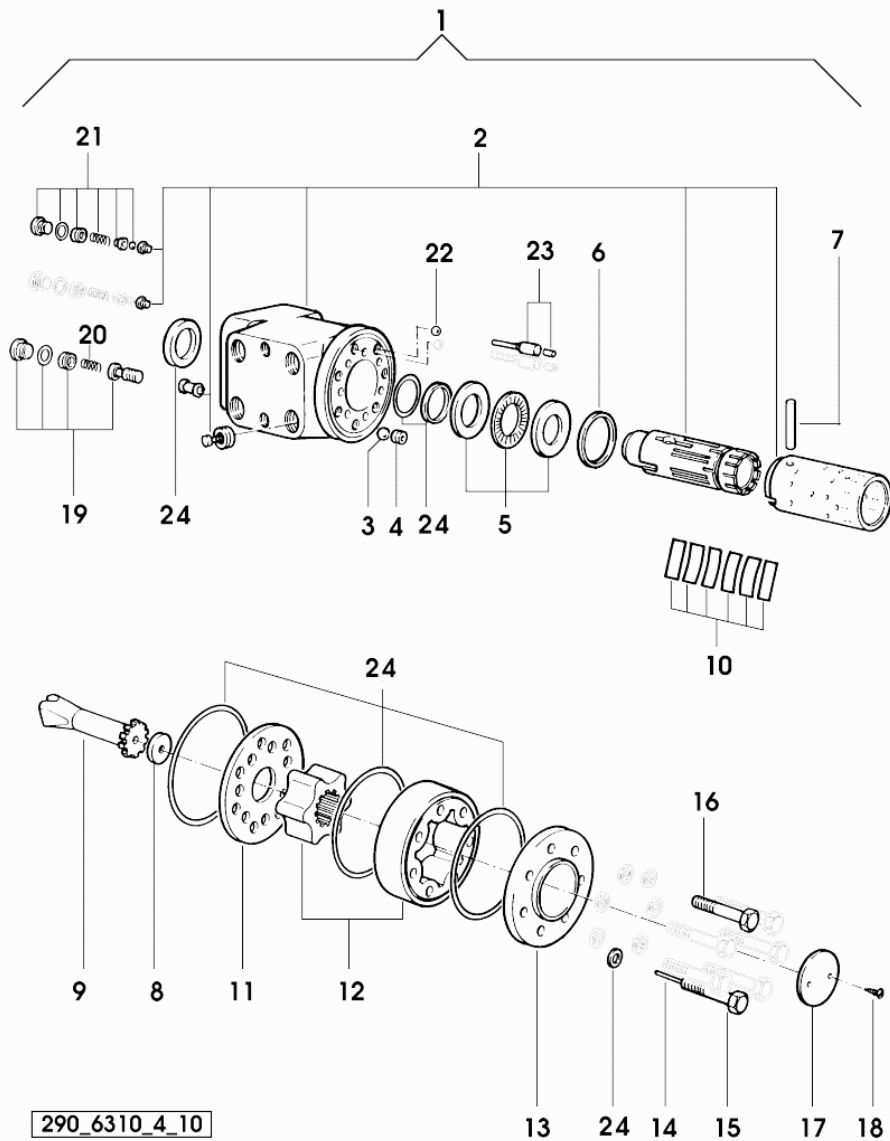


Fig.	Code	QTY	Name
1	2.4539.620.0	1	hydraulic pump 22.5 cc dx/rh/re - BOSCH - COMPONENT PARTS SEE COMPONENTS LIST ☞ 2.4539.620.0 ☞ 06.00.35
2	2.1480.015.2	2	washer 10
3	2.0169.019.2	2	screw m 10x135

9\_21082\_01\_0\_0

**HYDR. STEERING DISTRIBUTOR PARTS**

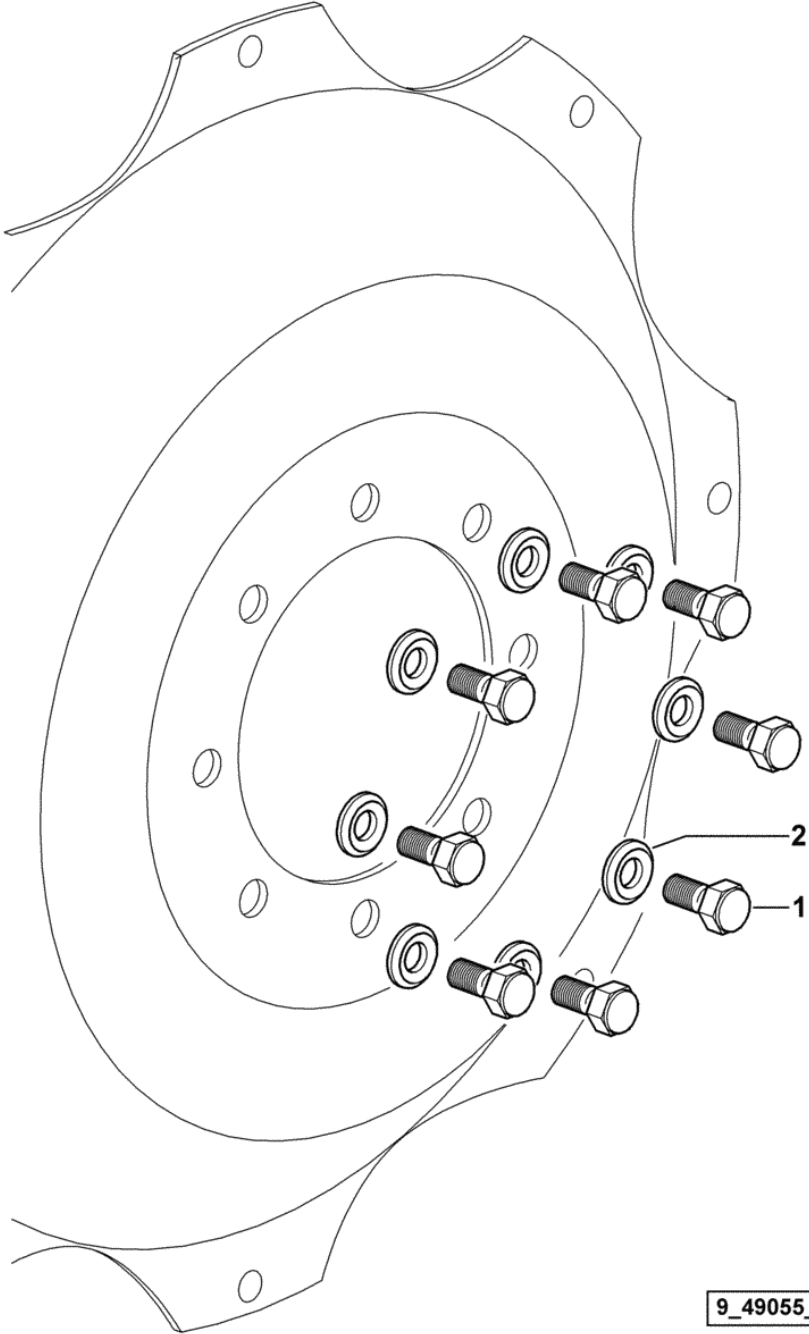
Fig.	Code	QTY	Name
1	0.290.6310.4/10	1	hydrosteering DANFOSS - 80 CC
2	0.000.0000.1	0	not serviceable
3	0.009.4012.1	1	ball mm 8.5
4	0.009.4014.1	1	plug
5	0.193.6378.0	1	bearing
6	0.009.4015.1	1	ring
7	0.009.4016.1	1	pin
8	0.009.4017.1	1	spacer
9	0.000.0000.1	0	not serviceable
10	0.009.4021.1	1	repair seal set
11	0.009.4022.1	1	plate
12	0.009.4872.0	1	rotor w = 10.4
13	0.009.4024.1	1	cover
14	0.009.4025.1	1	pin
15	0.009.4026.1	1	screw L = 63
16	0.009.4027.1	6	screw L = 35
17	0.009.4028.1	1	small disc
18	0.009.4029.1	2	screw
19	0.009.4030.1	1	valve
20	0.290.6374.1	1	spring 110-155 bar
21	0.193.6380.4	2	valve
22	0.009.4019.1	2	ball mm 3.00
23	0.009.4020.1	2	pin
24	0.003.5059.3	1	seal ring kit



290\_6310\_4\_10

Section: WHEELS  
**REAR WHEEL BOLTS**

Fig.	Code	QTY	Name
1	2.0399.129.6	16	screw m 18 p.1.5 x 38
2	2.1599.501.6/10	16	washer 19 x 40 x 7.5



9\_49055\_03\_0\_0

CLICK HERE TO **DOWNLOAD** THE COMPLETE MANUAL

- Thank you very much for reading the preview of the manual.
- You can download the complete manual from: [www.heydownloads.com](http://www.heydownloads.com) by clicking the link below



- Please note: If there is no response to CLICKING the link, please download this PDF first and then click on it.

CLICK HERE TO **DOWNLOAD** THE COMPLETE MANUAL