

**D07 6507**

**BRAKE**

**Control assy./servise brake, Parking brake**

OPERATION - PARKING BRAKE..... 13.29.1

HAND BRAKE..... 13.29.2

**Service brake, Contral assy./service brake**

OPERATION - P.T.O. SHAFT - REAR..... 13.30.33

OPERATION - P.T.O. SHAFT - REAR..... 13.30.34

SERVICE BRAKE..... 13.30.50

SERVICE BRAKE..... 13.30.51

CLICK HERE TO **DOWNLOAD** THE COMPLETE MANUAL

- Thank you very much for reading the preview of the manual.
- You can download the complete manual from: [www.heydownloads.com](http://www.heydownloads.com) by clicking the link below



- Please note: If there is no response to CLICKING the link, please download this PDF first and then click on it.

CLICK HERE TO **DOWNLOAD** THE COMPLETE MANUAL

**PARTITION**

**DEUTZ  
FAHR** TRENNWAND  
BULKHEAD  
CLOISON DE SEPARATION  
TABIQUE DE SEPARACION

1005 - 38 503 6685

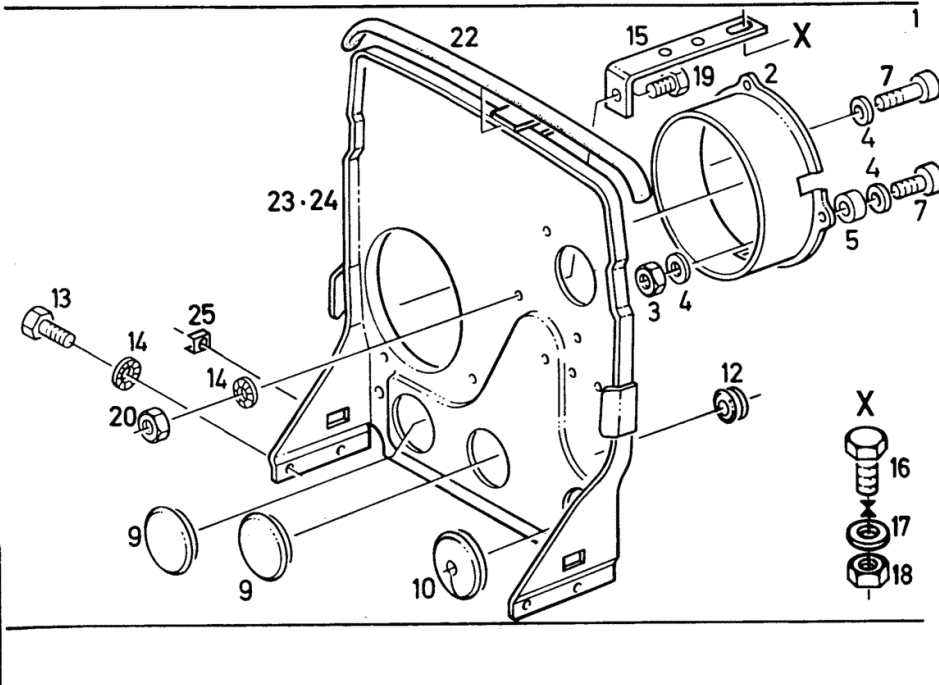


Fig.	Code	QTY	Name
2	02304564	1	ring
3	01112803	2	nut m 5, d934 ISO 004032-M 5 - 8-A4C
4	01107089	5	washer 5.3 DIN 000125-A 5,3-140HV-A4C
5	02316048	2	spacer
7	01105593	3	screw m 5x25 d84 ISO 001207- M 5 X 25- 4.8- A4 C
9	02311488	2	cover
10	02321018	1	cover
12	01167427	1	rubber bushing H 002928-D17 X24 X 2 -GI DEUT Z 1
13	01112299	4	screw m 8 x 12, d933 ISO 004017-M 8 X 12 - 8.8-A4C
14	01169689	5	washer H 002203- 8
15	02304514	1	pin
16	01103316	1	screw m 6 p.1.0 x 16 ISO 004017-M 6 X 16 - 8.8-A4C
17	01167194	1	washer H 002203- 6
18	01112813	1	nut m 6 DIN 000934-M 6 - 8-A4C
19	01112341	1	screw m 8 x 30, d933 ISO 004017-M 8 X 30 - 8.8-A4C
20	01112824	1	nut m 8, d934 ISO 004032-M 8 - 8-A4C
22	01388697	0	gasket H 846471-11-PN 1 580 MM
23	04333173	1	division FOR DRY AIR FILTER
24	04333174	1	division FUER OELBADFILTER
25	01167183	2	nut H 002189-M 8/8

Section: BUILT-ON ACCESSORIES  
WING FRONT

Fig.	Code	QTY	Name
1	02378541	1	support RIGHTS
2	02378542	1	support LEFT
3	01111339	1	screw m 10 x 80 DIN 000931- M10 X 80 - 8.8-A4 C
	1005- 52 503 5127 4		
	01101846	2	screw m 10 x 70, d933 DIN 000933-M10 X 70 - 8.8-A4C
	01119613	3	washer 10.5 DIN 007980-10-FST-A4C
	01136363	4	washer 8.4 DIN 009021- 8,4-140HV-A4C
	01112333	4	screw m 8 x 25, d933 ISO 004017-M 8 X 25 - 8.8-A4C
	01112829	4	nut ISO 004032-M 8 -10
	04324930	1	fender



GUMMIKOTFLÜGEL  
MUDGUAD  
GARDE-BOUE CAOUCHE  
GUARDABARRAS CAUCH

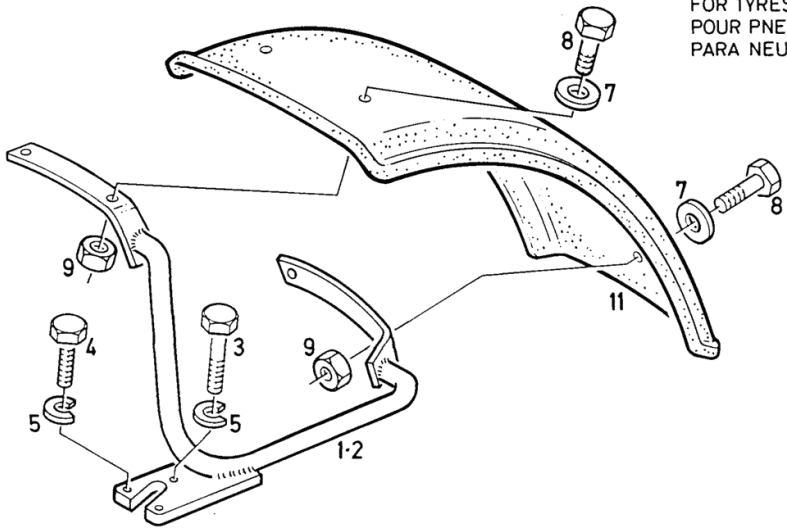
GETR. LENKACHE  
DRIVEN AXLE  
ESSIEU DIRECTEUR  
EJE MOTRIZ

SIGE 3500

1005- 52 503 5127 4

FÜR BEREIFUNG  
FOR TYRES  
POUR PNEUMATIQUES  
PARA NEUMATICOS

10.5-18  
10.5-20



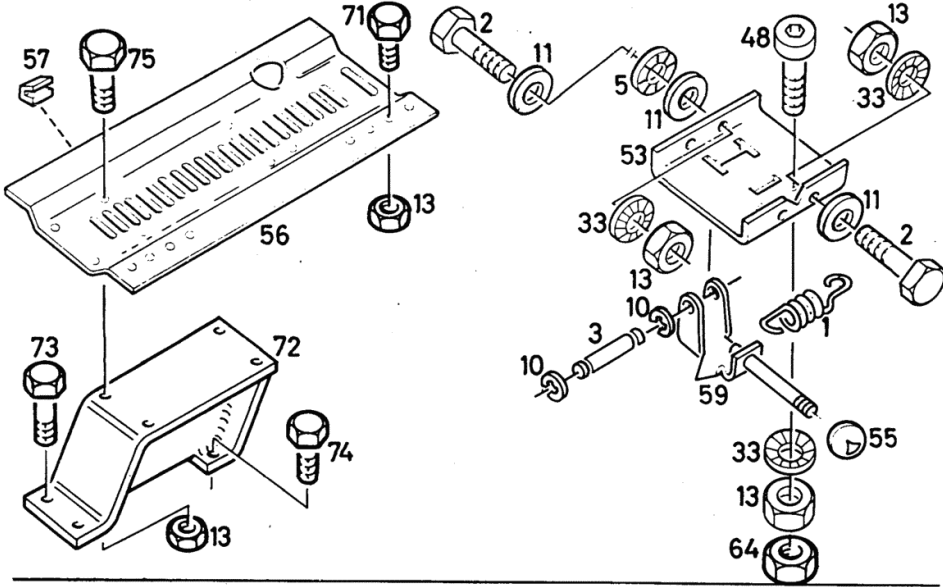
Section: BUILT-ON ACCESSORIES  
**DRIVER'S SEAT**

Fig.	Code	QTY	Name
------	------	-----	------

ISO 004017-M 8 X 22 - 8.8-A4C  
M 8X22 DIN 933-8.8 A4C

**DEUTZ FAHR** BEFESTIGUNGSTEILE KLAPPSITZ  
FASTENINGS FOLDING SEAT  
PIECES DE FIXAT. STRAPONTIN  
PZAS. FIJACION ASIEN TO ABATIBLE

1001-54 504 1176



Section: BUILT-ON ACCESSORIES  
**REARVIEW MIRROR**

**DEUTZ FAHR** RÜCKSPIEGEL GROSS  
DRIVING MIRROR GREAT  
RETROVISEUR GRAND  
ESPEJO RETROVISOR GRANDE

1110-67 503 5266

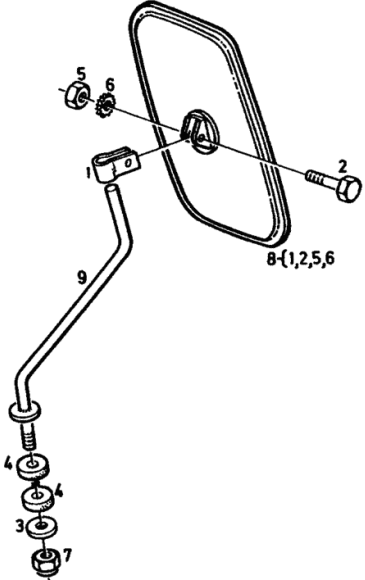


Fig.	Code	QTY	Name
1	04304482	1	bracket
2	01143550	1	screw DIN 000933-M 6 X 28 Z1-ST- 8. 8-A4C
3	03387582	1	washer
4	01218034	2	rubber buffer
5	01133500	1	nut vm 6 d980 DIN 000980-VM 6 - 8-A4C GEWAC HST
6	01151664	1	washer 6.4 DIN 000125- 6,4-200HV-A4C
7	01136454	1	nut DIN 000980-VM10 -10-A4C GEWAC HST
8	04304403	1	mirror
9	04305057	1	console

**CONSOLE**

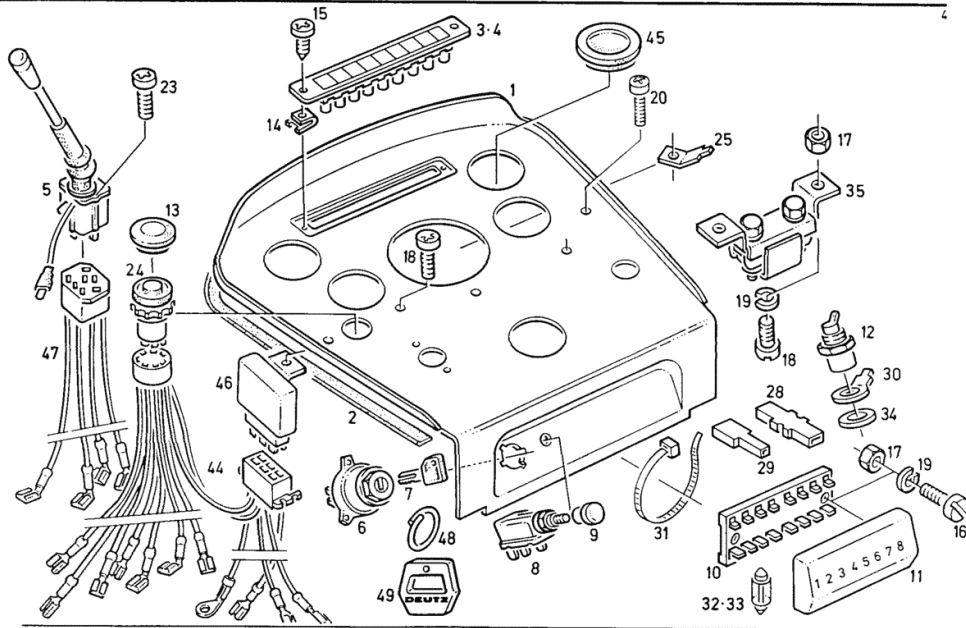
Fig.	Code	QTY	Name
29	01162414	1	connection H 007677-G 6,3
30	02331376	1	shim
31	01172065	5	clamp 4.6 x 146 H 007672-G 146X 4,6
32	01121330	6	stop DIN 072581-A 8
33	01103177	2	stop 16a d72581 DIN 072581-A 16-E-CU
34	02380194	1	ring
35	01163551	1	resistance H 007633- D 2,5X22
44	04333125	1	socket
45	02372747	3	cover
46	01172973	1	warning light H 007660-B 7
47	04333812	1	socket
48	04335876	1	ring
49	04335708	1	workshop tool



SCHALKASTEN  
MAIN SWITCH  
COFFRET COMMANDE  
CAJA CONEXIONES

ARMATUREN  
INSTRUMENT/FITTING  
INSTRUMENT  
INSTRUMENTO

1003-49 503 5090

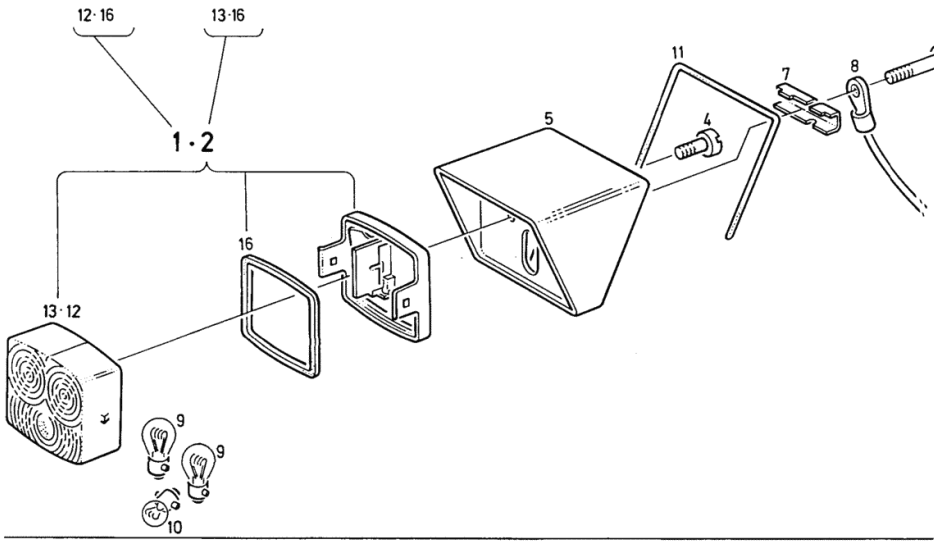


Section: ELECTRIC AL SYSTEM  
**LIGHTS FRONT**

Fig.	Code	QTY	Name
1	04389584	1	light LEFT
2	04389586	1	light RIGHTS
4	01124043	2	screw m 5 x 20 ISO 007045-M 5X 20 - 4.8-H -A 4C
5	02375799	1	shim
6	01101940	1	screw ISO 004014- M 6 X100 - 8.8-A4 C
7	02306343	1	bracket
8	02377453	1	tube
9	01102550	1	lamp r121w d72601 DIN 072601-P25-1- 12V 21 W
10	01121409	1	lamp g/10w d72601 DIN 072601-R19/10-12V 10 W
11	01390702	1	gasket PVC H 846471-01-PN 1
12	02381650	1	glass LEFT
13	02381651	1	glass RIGHTS
16	02381654	1	gasket

**DEUTZ FAHR** LEUCHTEN VORN  
LIGHTS FRONT  
FEUX AV  
LAMPARAS DELANTERAS

1001-49 503 9772

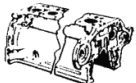


Section: ENGINE  
COVER

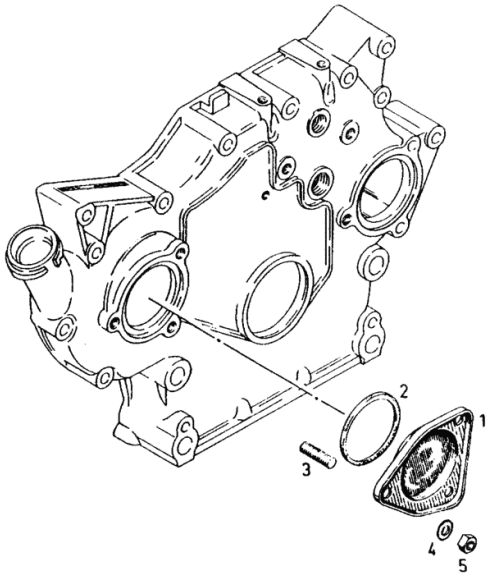
Fig.	Code	QTY	Name
1	04152404	1	cover
2	01166110	1	ring H 002927- 80 X 3 -NBR-1-60
3	01178540	3	screw H 002091- 835-M 8 X 16- 8.8-A 4C-MK-1,5D-BL
4	01216143	3	ring
5	01112824	3	nut m 8, d934 ISO 004032-M 8 - 8-A4C



Verschlussdeckel für Spritzversteller  
Cover for advance/retard unit  
Couvercle pour avance automatique  
Tapa de cierre para graduador de avance de inyección



0150-01-500 3331



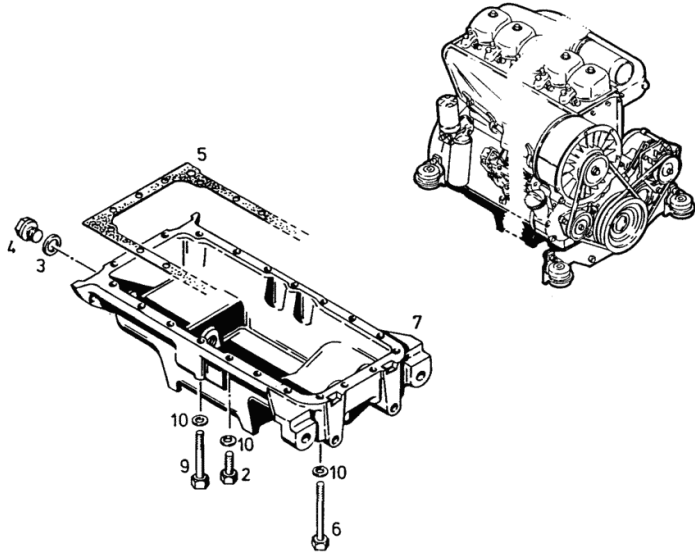
Section: ENGINE  
OIL PAN

Fig.	Code	QTY	Name
2	01112341	10	screw m 8 x 30, d933 ISO 004017-M 8 X 30 - 8.8-A4C
3	01118737	1	'o' ring 22 x 27 DIN 007603-A 22 X 27 -CU
4	01139720	1	screw DIN 000910- M22X1,5 -ST-A4C
5	03362574	1	gasket
6	01111213	5	screw m 8 x 110 ISO 004014- M 8 X110 - 8.8-A4 C
7	02237994	1	oil pan
9	01111200	6	screw m8x90 d931 ISO 004014- M 8 X 90 - 8.8-A4 C
10	01107101	21	washer 8.4 DIN 000125-A 8,4-140HV-A4C
950	01007909	5	gasket H 000699-DEUTZ DW 47-1000 CCM DEUTZ DW 47/0,001



Ölwanne  
Oil pan  
Carter d'huile  
Sumidero de aceite

0150-02-500 4453



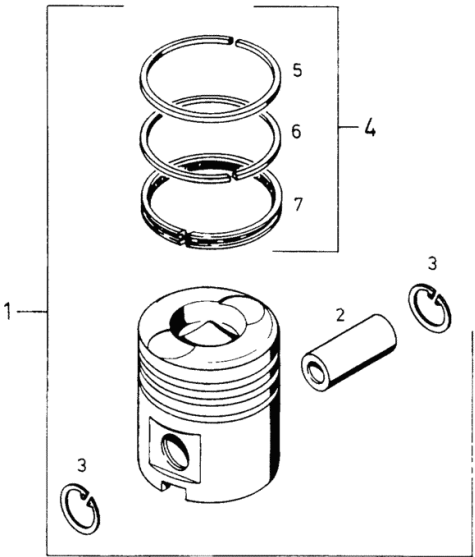
Section: ENGINE  
**PISTON**

Fig.	Code	QTY	Name
1	02233361	1	piston NORMAL 100.00 MM RD (3.9370 IN.) OVERSIZE STEP ITEM. 950 FL 912 D
2	03371660	1	piston pin
3	01107821	2	circlip 35x1,5 d472 DIN 000472- 35X1,5
4	02233117	1	piston ring set NORMAL 100.00 MM RD (3.9370 IN.) (3 RING),OVERSIZE STEP SEE ITEM 954 PISTON RING SET (4RING) SEE I
5	01171718	1	piston ring H 002962-DS 100 X 91,4X3 -K-C R NORMAL 100.00MM RD(3.9370 IN.) OVERSIZE STEP ITEM. 951
6	01171722	1	ring H 002957- 100 X 91,4X2,5 NORMAL 100.00MM RD(3.9370 IN.) OVERSIZE STEP ITEM. 952
7	01161089	1	ring H 002984-SF 100 X 90,9X 5 -CR NORMAL 100.00MM RD(3.9370 IN.) OVERSIZE STEP ITEM 953 OPTIONALLY PIC
950	04154894	1	piston 1. OVERSIZE 100.50 MM (3.9567 IN.)
951	01171720	1	piston ring H 002962-DS 100,5X 91,9X3 -K- CR DS 100,5X91,9X3H2962K-CR 1. OVERSIZE 100.50 MM (3.9567 IN.)
952	01171721	1	ring H 002957- 100,5X 91,9X2,5 1. OVERSIZE 100.50 MM (3.9567 IN.)
953	01162103	1	ring H 002984-SF 100,5X 91,4X 5 -C R 1. OVERSIZE 100.50 MM (3.9567 IN.)



Kolben	Stück / Zyl - Einheit
Piston	Pieces / cyl. unit
Piston	Qté / cylindre
Embolo	Cantid. / unid. cilind.

0150-07 -503 4461



Section: ENGINE  
**CONDUIT**

Fig.	Code	QTY	Name
1	03371888	1	sleeve

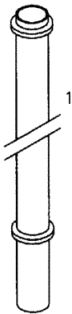


Schutzrohr  
Protecting tube  
Tube protecteur  
Tubo protector

Referenznr.:

0150 -11- 0502 2186

003



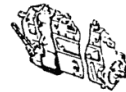
## Section: ENGINE

## INJECTION PUMP COMPONENT PARTS

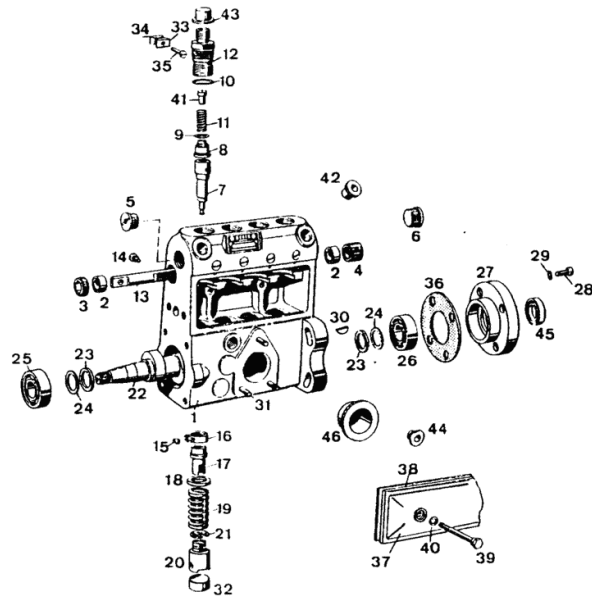
Fig.	Code	QTY	Name
35	01104381	2	screw ISO 001207- M 6 X 28- 4.8- A4 C
36	01310642	1	gasket
37	01310137	1	cover
38	01308511	1	gasket
39	01288170	2	screw
40	01118641	2	ring a 6x10 d7603 DIN 007603-A 6 X 10 -CU
41	01304679	4	filler
42	01308045	2	tube
43	01308185	4	tube
44	01289829	1	tube
45	01308512	1	dust guard BEFORE MOUNTING THE PUMP REMOVE DUST GUARD
46	01308390	1	tube
950	01288319	0	crown wheel mm 22.70 KOPFKREIS D.22,70 MM S.POS.16
951	01287998	0	washer mm 0.12 0,12 MM S.POS.24
952	01287999	0	washer mm 0.14 0,14 MM S.POS.24
953	01288000	0	washer mm 0.16 0,16 MM S.POS.24
954	01288001	0	shim mm 0.18 0,18 MM S.POS.24
955	01288002	0	washer mm 0.50 0,50 MM S.POS. 24
956	01288002	0	washer mm 0.50 1,00 MM S.POS.24
957	01287999	0	washer mm 0.14 0,30 MM S.POS.24



Einzelteile zur Einspritzpumpe  
Single parts for injection pump  
Pièces détachées de pompe d'injection  
Partes para bomba de inyección



0150-17 502 7054



Section: ENGINE  
**FILTER CARTRIDGE**

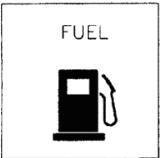
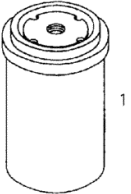
Fig.	Code	QTY	Name
1	01174423	1	fuel filter element H 004117- Q 0,6 -R



Filterpatrone  
Filter cartridge  
Cartouche filtrant  
Cartucho filtro

0150 -20- 0503 7735

1



Section: ENGINE  
**AIR DUCTING RAIL**

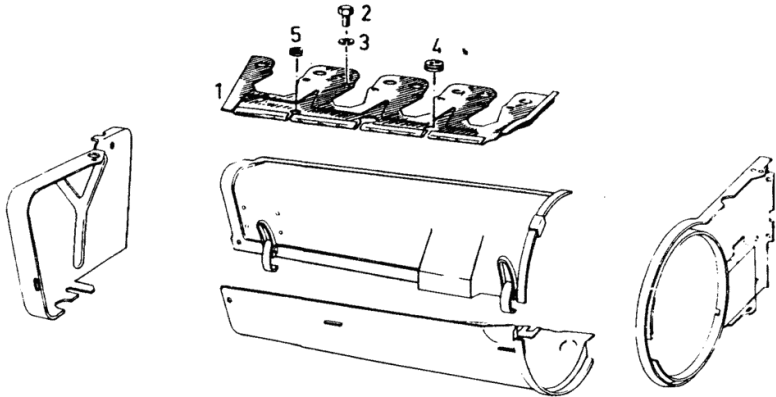
Fig.	Code	QTY	Name
1	02137361	1	guide
2	01103316	8	screw m 6 p.1.0 x 16 ISO 004017-M 6 X 16 - 8.8-A4C
3	01102797	8	washer 6, d128 DIN 000128-A 6 -FST -A4C
4	03361809	1	rubber bushing
5	01160592	3	rubber bushing H 002928-F 6,5 X21 X 1,5-GI D DEUTZ 1



Luftführungsleiste  
Baffle mounting plate  
Plinthe de hotte de guidage d'air  
Listón guía de aire



0150-40-500 4500



Section: ENGINE  
COOLING AIR BAFFLE

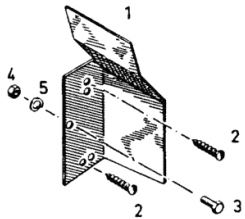
Fig.	Code	QTY	Name
1	02234352	1	division
2	01133996	2	screw DIN 007971-ST 3,9X 9,5-C-A4C
3	01112240	1	screw m 6 x 12 ISO 004017-M 6 X 12 - 8.8-A4C
4	01112813	1	nut m 6 DIN 000934-M 6 - 8-A4C
5	01102797	1	washer 6, d128 DIN 000128-A 6 -FST -A4C
6	01107095	1	washer 6.4 DIN 000125-A 6,4-140HV-A4C



Abschirmblech  
Air shield  
Toile deflectrice  
Chapa deflector



0150-44-500 4567



Section: ENGINE  
**FLAME GLOW PLUG**

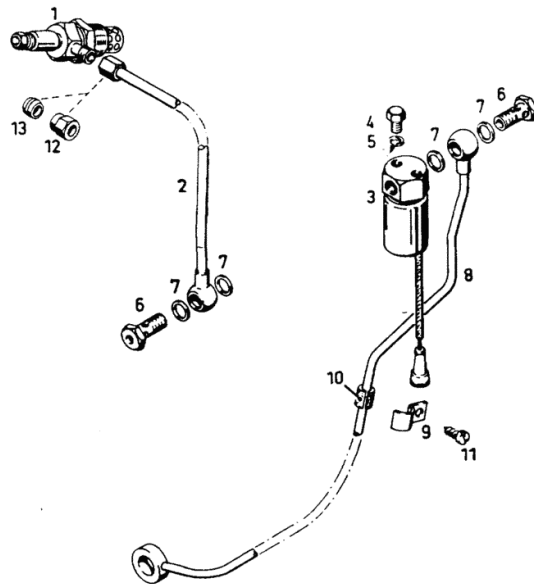
Fig.	Code	QTY	Name
1	01180433	1	glow plug H 824608-B 12V R320 ISK SIEHE ETL-BLATT:1.FLAMMKERZE (12 VOLT) OR 2ND. FLAME PLUG (24 VOLT) 1.:0
2	04150269	1	tube
3	01179366	1	electro valve H 824113- G -12V- 1 ED100 SIEHE ETL-BLATT 05034248
4	01112232	2	screw m 6 p.1 x 10 ISO 004017-M 6 X 10 - 8.8-A4C M 6X10 DIN 933-M8.8 VZKC
5	01102797	2	washer 6, d128 DIN 000128-A 6 -FST -A4C
6	01119237	2	pipe union DIN 007643 6-4-A3L
7	01118659	4	'o' ring DIN 007603-A 10 X 13,5-CU
8	02131250	1	tube
9	01121253	1	clamp DIN 072571- 1X 8-ST FE/ZN12CC
10	01210090	1	rubber sleeve
11	01127572	1	screw m 4 ISO 001481-ST 4,2X 9,5-C-A4C
12	01101019	1	nut H 003105- CLL 6 -ST
13	01116645	1	ring DIN 003862- 6-ST
950	01007909	1	gasket H 000699-DEUTZ DW 47-1000 CCM



Flammglühstiftkerze  
 Flame-type pin plug  
 Bougie allumeur  
 Bujía de espiga de incandescencia-llama



0150-63-500 3802



CLICK HERE TO **DOWNLOAD** THE COMPLETE MANUAL

- Thank you very much for reading the preview of the manual.
- You can download the complete manual from: [www.heydownloads.com](http://www.heydownloads.com) by clicking the link below



- Please note: If there is no response to CLICKING the link, please download this PDF first and then click on it.

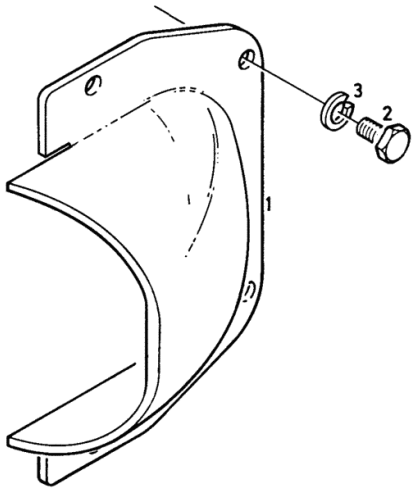
CLICK HERE TO **DOWNLOAD** THE COMPLETE MANUAL

**AIR DUCT WALL**

Fig.	Code	QTY	Name
1	02311132	4	lamination
2	01112299	16	screw m 8 x 12, d933 ISO 004017-M 8 X 12 - 8.8-A4C
3	01107101	16	washer 8.4 DIN 000125-A 8,4-140HV-A4C

**DEUTZ  
FAHR** WICKELSCHUTZ  
ANTI WRAPPING DEV.  
DISQUE PROTECTEUR  
GUARD ENROLLAMIENT

1004-28504 3082



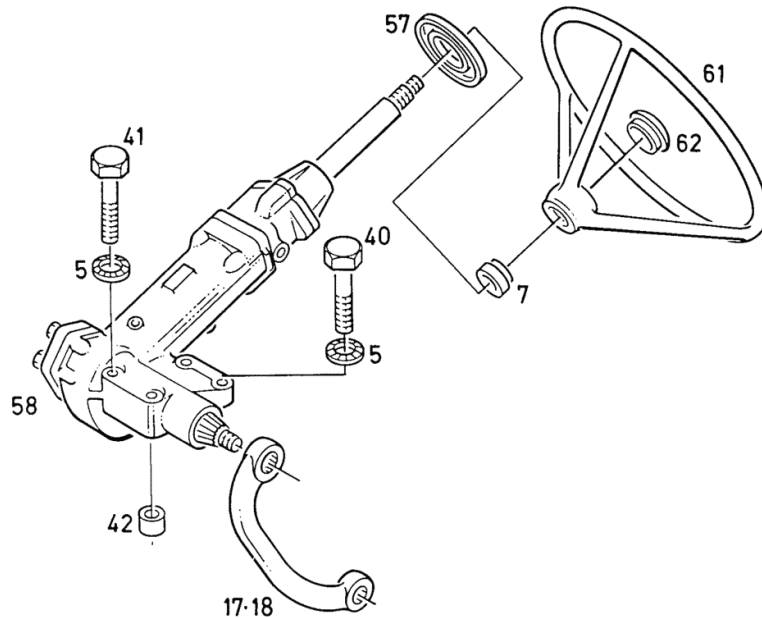
**HYDRAULIC STEERING GEAR**

Fig.	Code	QTY	Name
5	01169696	4	washer H 002203- 14
7	03390826	1	cap
17	03389809	1	steering lever FOR TELESCOPIC AXLE
18	02301603	1	steering lever ALL-WHEEL MODEL
40	01111709	2	screw m 14 p.1.5x65 DIN 000931- M14 X 65 - 8.8-A4 C
41	01124840	2	screw DIN 000933-M14 X 80 - 8.8-A4C
42	02301516	2	spacer
57	02308077	1	sleeve
58	02334403	0	steering box PART NUMBERS LISTING SHEET 1006 37 503 5430
61	04347999	1	steering wheel
62	04372644	1	cap

**DEUTZ  
FAHR**  
HYDROLENKUNG  
POWER STEERING  
DIRECT. HYDRO-ASSIS  
SERVODIRECC. HIDR.

1145 - 37 503 5192 40

2

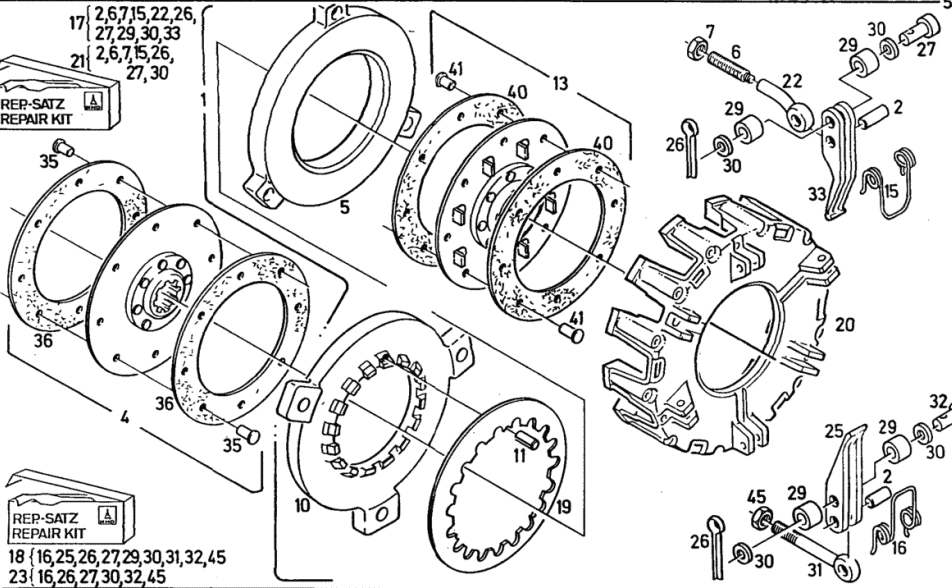


Section: GEARBOX, CLUTCH  
**DOUBLE COUPLING**

Fig.	Code	QTY	Name
1	04381146	1	clutch assy RIGHTS
2	00000000	0	not serviceable
4	04378763	1	disc MOTOR SIDE
5	02307059	1	clutch.pres plate
6	00000000	0	not serviceable
7	01107602	3	nut DIN 000439-BM10 -05
10	02307063	1	clutch.pres plate
11	01115415	3	pin ISO 008752- 4 X 12
13	04357866	1	pressure plate
15	00000000	0	not serviceable
16	00000000	0	not serviceable
17	04341146	0	accessories TRANSMISSION SIDE
18	04341313	0	sub-assy parts MOTOR SIDE
19	04343992	1	spring
20	02307058	1	clutch housing
21	04344211	0	sub-assy parts TRANSMISSION SIDE
22	00000000	0	not serviceable
23	04344210	0	gasket set MOTOR SIDE
25	00000000	0	not serviceable
26	01106428	6	split pin DIN 000094- 3,2X 14-ST-A4C
27	00000000	0	not serviceable
29	00000000	0	not serviceable
30	00000000	0	not serviceable
31	00000000	0	not serviceable
32	00000000	0	not serviceable
33	00000000	0	not serviceable
35	04381154	2	clutch disc
36	02307623	12	rivet
40	04357867	2	friction ring
41	04367546	40	rivet
45	00000000	0	not serviceable

**DEUTZ FAHR** DOPPELKUPPLUNG UNABHÄNGIG  
 DUAL CLUTCH INDEPENDENT  
 EMBRAYAGE BI-DISQUE INDEPENDANT  
 EMBRAGUE DOBLE INDEPENDIENTE

1005-02503 9037



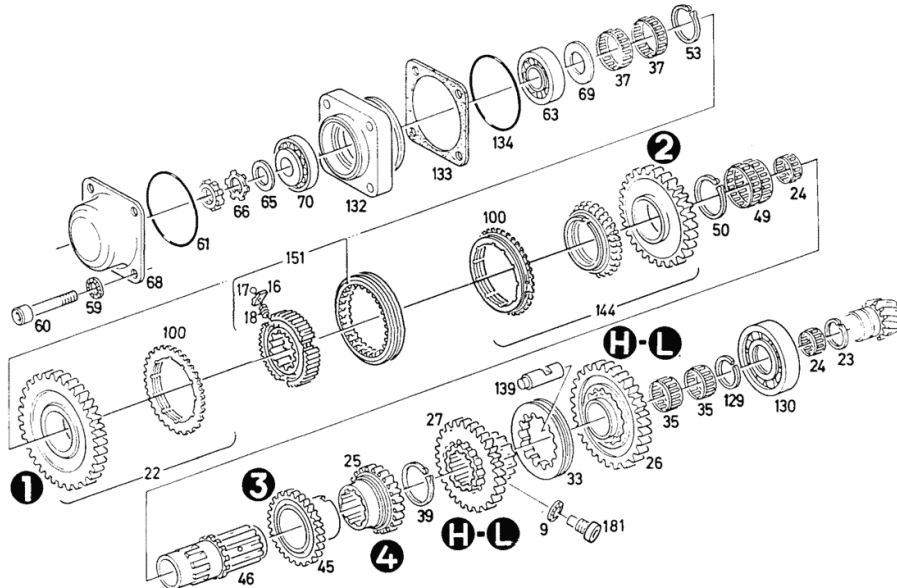
Section: GEARBOX, CLUTCH  
GEAR CHANGE BOX

Fig.	Code	QTY	Name
70	01109990	1	roller bearing DIN 000720-313 07
100	04359887	1	ring
129	01161117	1	circlip H 002259- 50X1,5
130	04303672	1	roller bearing
132	04377392	1	flange
133	04301642	0	snoulder INDIVIDUAL PARTS SEE ITEM... 950-954
134	01166129	1	'o' ring H 002927-100 X 2 -NBR-1-60
139	04359415	16	pin
144	04359860	1	gear GEAR 5
151	04322842	1	support GEAR 1+2
181	04354467	2	screw
950	04301644	0	shim A=0,5 MM.
951	04301645	0	shim A=0,63 MM.
952	04301646	0	shim A=0,75 MM.
953	04301647	0	shim A=0,88 MM.
954	04301648	0	shim A=1,0 MM.

1446-11 503 9625



WECHSELGETRIEBE VORGELEGEWELLE SYNCHRON  
TRANSMISSION LAYSHAFT SYNCHR.  
BOITE DE VITESSES ARBRE DE RENVOI SYNCHR.  
CAJA CAMBIO EJE TRANSMISION SINCHR.

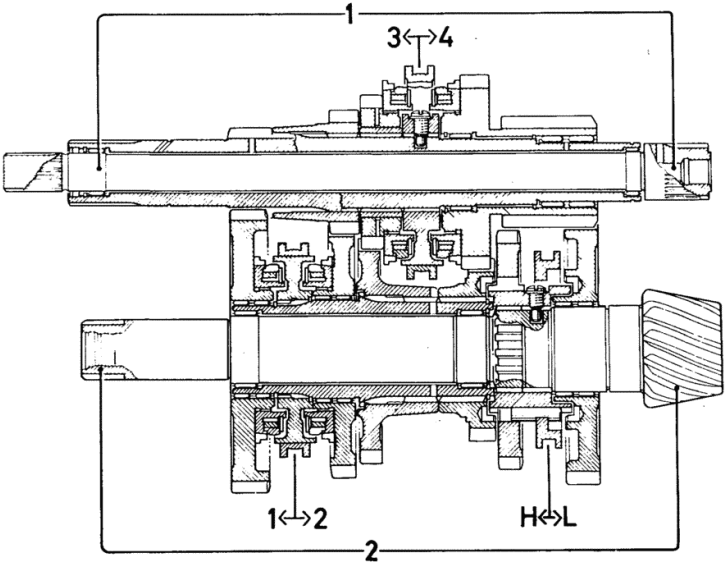


Section: GEARBOX, CLUTCH  
**GEAR CHANGE BOX**

Fig.	Code	QTY	Name
1	00000000	0	not serviceable PART NUMBERS LISTING SHEET 1446-11 503 9626
2	00000000	0	not serviceable PART NUMBERS LISTING SHEET 1446-11 503 9625

**DEUTZ FAHR**  
 WECHSELGETRIEBE SYNCHRON  
 TRANSMISSION SYNCHR.  
 BOITE DE VITESSES SYNCHR.  
 CAJA CAMBIO SINCHR.

1446-11 503 9631



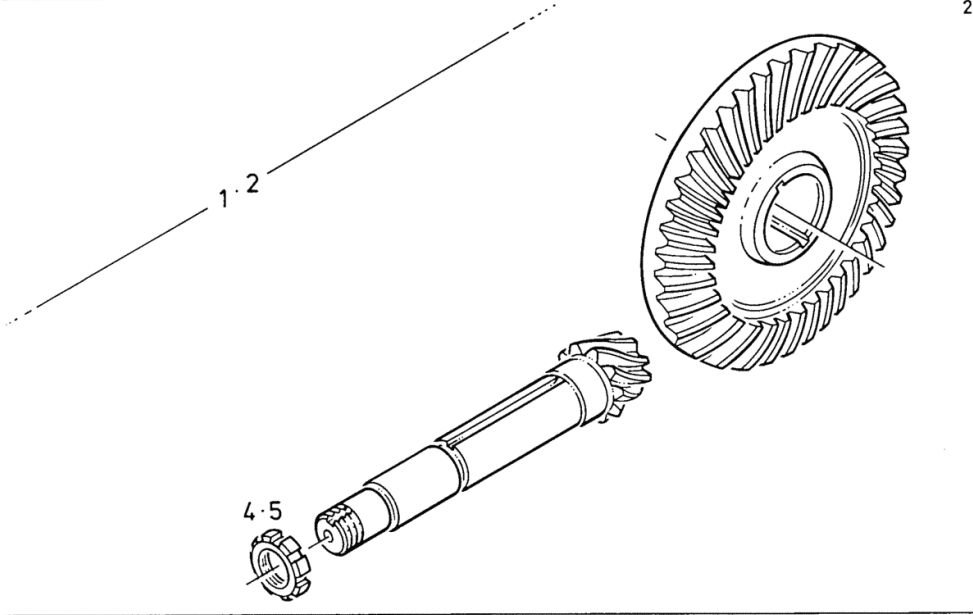


Section: GEARBOX, CLUTCH  
BEVEL WHEEL GEAR

Fig.	Code	QTY	Name
1	04301981	1	bevel gear GEAR TW.50,4;Z=7:36 TW.50,4;Z=7:36 5
2	04301982	1	bevel gear GEAR 5
4	01216035	1	nut TO ITEM... 1
5	01216033	1	nut TO ITEM... 2


**DEUTZ  
FAHR**  
KEGELTRIEB  
BEVEL DRIVE  
COUPLE CONIQUE  
GRUPO CONICO

1414 -23503 5226



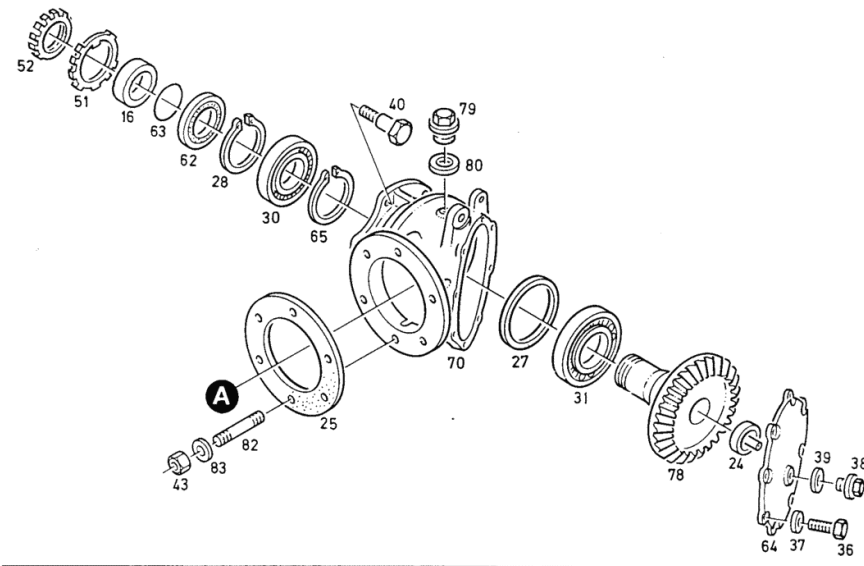
Section: GEARBOX, CLUTCH  
FRONT-WHEEL DRIVE

Fig.	Code	QTY	Name
16	02306297	1	ring
24	02384210	1	tube
25	02306294	0	snoulder INDIVIDUAL PARTS SEE ITEM... 950-955
27	02306938	0	shim OPTION ITEM... A=7,0 MM. A=7,0 MM. 956-961
28	01107862	2	ring 100 x 3 DIN 000472-100X3
30	01101596	1	roller bearing DIN 000720-320 13-X
31	01109964	1	roller bearing DIN 000720-302 14
36	01112322	8	screw m 8 p.1.25 x 20 ISO 004017-M 8 X 20 - 8.8-A4C
37	01107101	8	washer 8.4 DIN 000125-A 8,4-140HV-A4C
38	01104736	1	screw DIN 000906-M22X1,5-ST-A4C
39	01118737	1	'o' ring 22 x 27 DIN 007603-A 22 X 27 -CU
40	01108785	5	screw DIN 000609-M12 X 45 - 8.8-A
43	01102659	6	nut m 10, d934 DIN 000934-M10 - 8-A4C
51	02306235	1	lamination
52	01120618	1	nut DIN 070852-M 65X1,5 -17H
62	01160701	1	'o' ring H 002940-A 80X100 X10 -NI
63	01172325	1	'o' ring H 002927- 65 X 3 -NBR-1-60
64	04341898	1	cover
65	01101512	1	circlip DIN 000472-100X4
70	04332337	1	body
78	04302062	1	bevel gear
79	01118998	1	screw DIN 007604-CM10X1 -ST-A4C
80	01118659	1	'o' ring DIN 007603-A 10 X 13,5-CU


 VORDERRADANTRIEB  
 FRONT WHEEL DRIVE  
 C DE ROUES AV  
 ACCIONAM. RUED. DEL.

TW 35.2

1446-26 503 9675



Section: GEARBOX, CLUTCH  
DUO-P.T.O. SHAFT

**DEUTZ  
FAHR** DUO-ZAPWELLE  
TWO-SP. PTO-SHAFT  
P.D.F. 2 REGIMES  
TOMAFUERZA DUO

1414-77503 5407

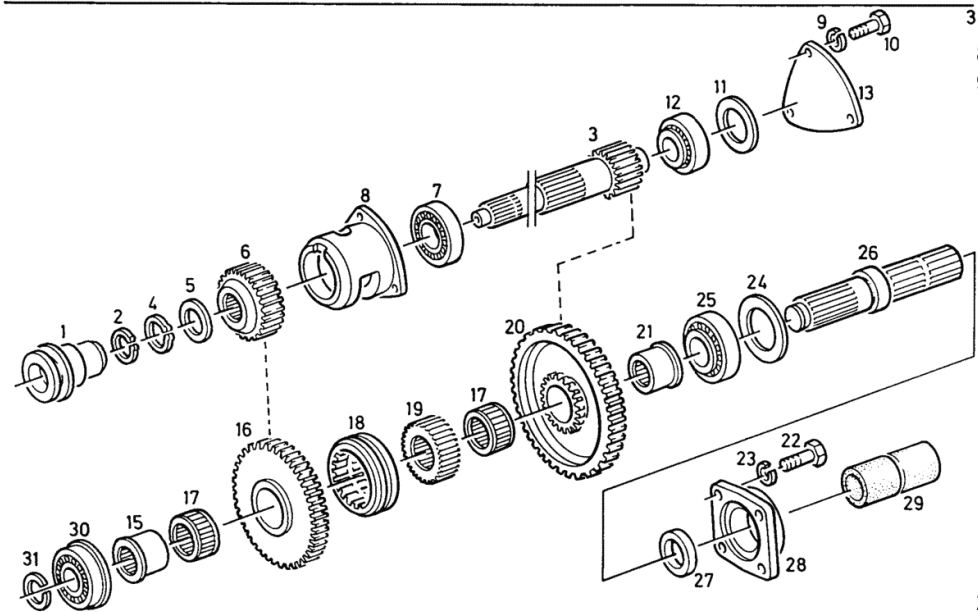


Fig.	Code	QTY	Name
1	02307850	1	sleeve
2	01107740	1	circlip
3	04301097	1	transmission shaft
4	01107745	1	ring DIN 000471- 28X1,5
5	04302037	1	washer
6	02388080	1	gear Z=24
7	01136482	1	roller bearing DIN 000720-320 07-X
8	04301159	1	cover
9	01107101	3	washer 8.4 DIN 000125-A 8,4-140HV-A4C
10	01112333	3	screw m 8 x 25, d933 ISO 004017-M 8 X 25 - 8.8-A4C
11	04301581	0	shim OPTION ITEM... 2,4 MM
12	01109956	1	roller bearing 30206 d720 DIN 000720-302 06
13	02307582	1	cover
15	04301151	1	bushing
16	02388082	1	gear Z=45
17	01161513	2	bearing H 004455-NK 44 X 50X22
18	02307589	1	sleeve
19	04301150	1	support
20	02388078	1	gear Z=49
21	02307910	1	bushing
22	01112322	4	screw m 8 p.1.25 x 20 ISO 004017-M 8 X 20 - 8.8-A4C
23	01107283	4	washer 8.2 DIN 000137-B 8-FST-A4C
24	04301626	0	shim OPTION ITEM... 0,8 MM
25	01109957	1	bearing 30207 H 004465-302 07
26	04337922	1	p.t.o.shaft

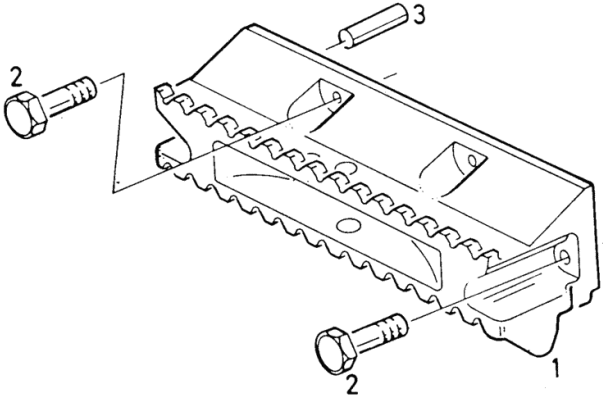
Section: HITCH  
**BALLAST CARRIER**

Fig.	Code	QTY	Name
1	04313456	1	support
2	01112636	4	screw m 14 x 50 DIN 000933-M14 X 50 - 8.8-A4C
3	01115503	2	pin ISO 008752-13 X 45

**DEUTZ  
FAHR** BALLASTTRÄGER  
BALLAST CARRIER  
PORTE MASSES  
PORTA LASTRE

1941 -62 503 5233

2



Section: HYDRAULIC SYSTEM  
**HYDRAULIC PUMP**

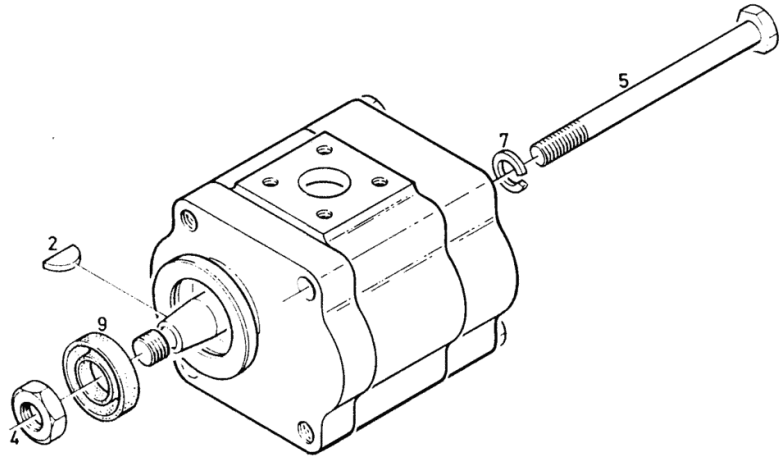


HYDRAULIKPUMPE  
HYDRAULIC PUMP  
POMPE HYDRAULIQUE  
BOMBA HIDRAULICA

16 CCM/U (BOSCH)

1952-01504 3360<sup>8</sup>

Fig.	Code	QTY	Name
2	01118323	1	key DIN 006888- 3 X 5
4	01262635	1	nut
5	01152358	2	screw DIN 000931- M10 X110 - 10.9-A -OIL SPEED
7	01102800	2	washer 10.2 DIN 000128-A 10 -FST -A4C
8	01263181	0	gasket set
9	01320806	1	'o' ring



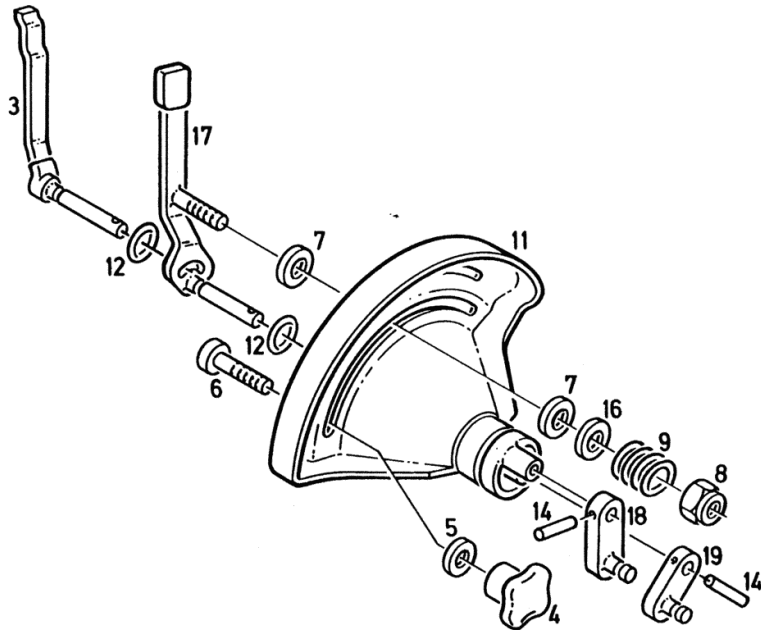
Section: HYDRAULIC SYSTEM  
 OPERATION - P.T.O. SHAFT - REAR

**DEUTZ**  
**FAHR**

BETÄTIGUNG - KRAFTHEBER  
 CONTROL ASSEMBLY - HYDRAULIC LIFT  
 MECANISME DE COMMANDE - RELEVAGE HYDRAULIQUE  
 ACCIONAMIENTO DE ELEVADOR HIDRAULICO

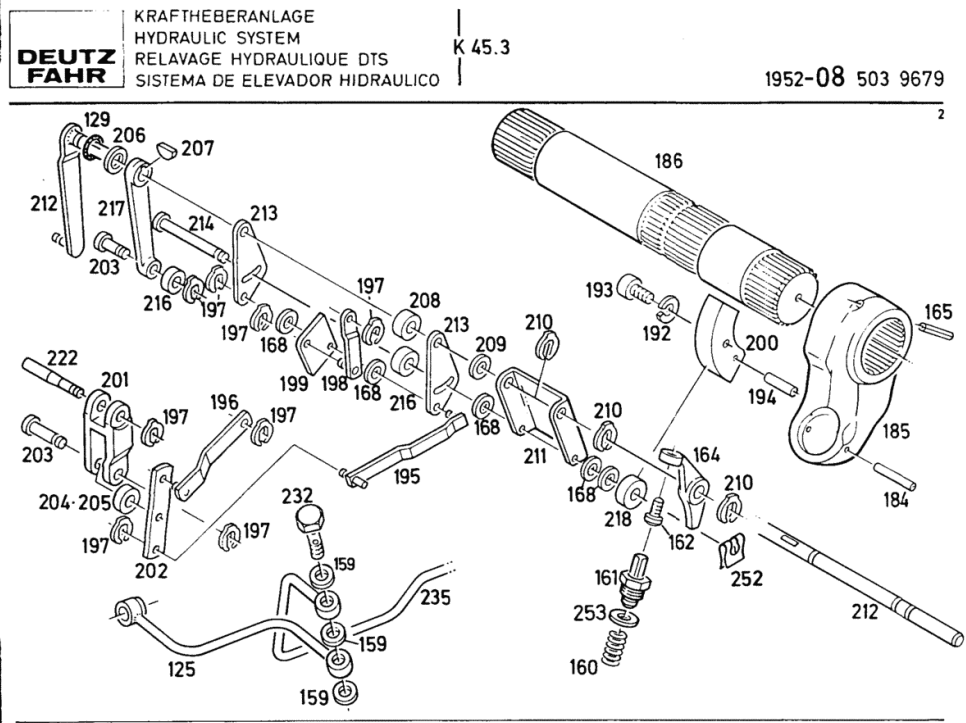
1952 - 08 503 5053

Fig.	Code	QTY	Name
3	03401412	1	lever
4	01117557	1	knob DIN 006335-D 40-GG
5	01107101	1	washer 8.4 DIN 000125-A 8,4-140HV-A4C
6	04361141	1	contact surface
7	04356362	2	brake disc
8	01133500	1	nut vm 6 d980 DIN 000980-VM 6 - 8-A4C GEWAC
2	9	1	HST spring
11	03401411	1	locking segment
12	03401398	2	rubber ring
14	01115407	2	pin ISO 008752- 3 X 16
16	01107095	1	washer 6.4 DIN 000125-A 6,4-140HV-A4C
17	04367466	1	lever
18	02314868	1	disc
19	02314870	1	disc



Section: HYDRAULIC SYSTEM  
POWER LIFT

Fig.	Code	QTY	Name
129	01160038	1	'o' ring H 002927- 10 X 3 -NBR-1-70
159	01118659	3	'o' ring DIN 007603-A 10 X 13,5-CU
160	03401282	1	spring
161	04343366	1	valve
162	03401327	1	screw
164	02302633	1	rocker
165	01115479	1	pin ISO 008752- 8 X 55
168	01107548	20	washer 8.4 DIN 000433- 8,4-140HV-A4C
184	01123860	1	pin ISO 008752- 5 X 70
185	02312044	1	lever
186	02379686	1	shaft
192	01107101	15	washer 8.4 DIN 000125-A 8,4-140HV-A4C
193	01151498	1	screw DIN 000912- M 8 X 16 -10.9
194	01115433	1	stop ISO 008752- 5 X 16
195	03401421	1	rod
196	02314874	1	rod
197	03401328	8	fuse
198	02314872	1	rod
199	03401409	1	throttle slide
200	03401400	1	ring
201	03401390	1	arm
202	03401391	1	lever
203	03401402	2	pin
204	03471292	1	roller
205	03471291	1	roller
206	02320492	0	ring INDIVIDUAL PARTS SEE ITEM... 950-955
207	01118323	1	key DIN 006888- 3 X 5
208	03401404	1	sleeve
209	01107558	1	washer DIN 000433-17 -140HV-A4C
210	03401405	3	fuse
211	03401401	1	pointer
212	04371148	1	shaft



**DEUTZ FAHR**  
 KRAFTHEBERANLAGE  
 HYDRAULIC SYSTEM  
 RELAVAGE HYDRAULIQUE DTS  
 SISTEMA DE ELEVADOR HIDRAULICO

K 45.3

1952-08 503 9679

Section: HYDRAULIC SYSTEM  
FINAL CONTROL DEVICE

DEUTZ FAHR ENDSTEUERGERÄT  
TERMINAL UNIT  
DISTRIBUTEUR TERM.  
APTO. MANDO FINAL DEUTZ

1804-40 503 5268

2

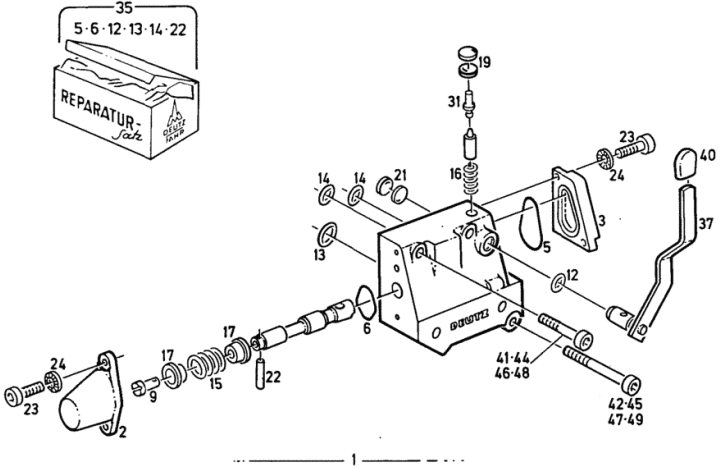


Fig.	Code	QTY	Name
1	02333728	1	distributor
2	03401334	1	cover
3	03401335	1	cover
5	03401337	1	gasket
6	03401338	1	gasket
9	03401340	1	pin
12	01169761	1	'o' ring H 002927- 10 X 2 -NBR-1-70
13	04303433	1	'o' ring
14	04305924	2	'o' ring
15	03401343	1	spring
16	03401344	1	spring
17	03401345	2	cup
19	01102507	2	washer DIN 000470- 10-ST-A4C
21	01102347	2	washer DIN 000470- 14-ST-A4C
22	01115405	1	pin ISO 008752- 3 X 12
23	01152810	4	screw DIN 000912- M 5 X 16 -10.9
24	01167193	4	ring H 002203- 5
31	02311920	1	pin
35	04306987	0	sub-assy parts
37	02333723	1	shaft
40	04352709	1	knob
41	01110591	2	screw m 8 x 40 DIN 000912- M 8 X 40 -10.9-A4 C
42	01110601	1	screw DIN 000912- M 8 X 50 -10.9-A4 C
44	01144739	2	screw m8x80 d912-10 DIN 000912- M 8 X 80 -10.9-OE LGESCHW
45	01110624	1	screw DIN 000912- M 8 X 90 -10.9-A4 C
46	01124771	2	screw DIN 000912- M 8 X120 -10.9-A4 C
47	01152821	1	screw m 8 x 120, d912 DIN 000912- M 8 X130 -10.9-OE

## Section: MOTOR SUPPLY

**FUEL FILTER**

**DEUTZ  
FAHR** KRAFTSTOFFFILTER  
FUEL FILTER  
FILTRE A COMBUSTIBLE  
FILTRO DE COMBUSTIBLE

1009-42 503 9676

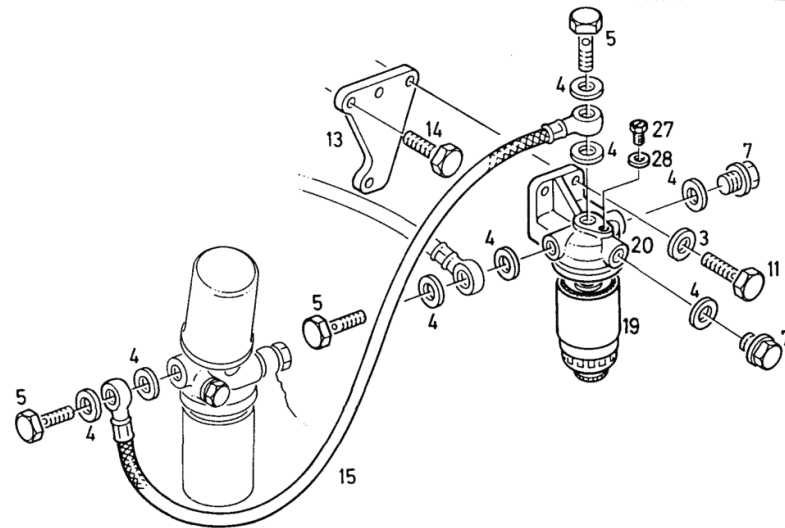


Fig.	Code	QTY	Name
3	01107101	2	washer 8.4 DIN 000125-A 8,4-140HV-A4C
4	01118688	6	ring 14x17 DIN 007603-A 14 X 18 -CU
5	01119246	2	pipe union H 3102 -D10 M H 003102-D10 M-ST-A4C
7	01118960	2	plug am14x1,5 DIN 007604-AM14X1,5 -ST-ZNPHR F
11	01112322	2	screw m 8 p.1.25 x 20 ISO 004017-M 8 X 20 - 8.8-A4C
13	04315188	1	console
14	01112308	2	screw ISO 004017-M 8 X 18 - 8.8-GES CHW.
15	01266160	1	tube
19	01174482	1	fuel filter element H 004117- Q 0,6 W -R
20	01174821	1	console H 004117- FK 1
27	01112232	1	screw m 6 p.1 x 10 ISO 004017-M 6 X 10 - 8.8-A4C
28	01118642	1	'o' ring DIN 007603-A 6 X 10 -VF

Section: WHEELS, BALLAST  
**BALLAST**

Fig.	Code	QTY	Name
1	04312458	1	ballast
4	04389226	1	ballast 20 Kg
5	01124803	1	screw m 10 x 130 DIN 000931- M10 X130 - 8.8-A- A4C
6	01169694	1	washer 10 H 002203- 10



CLICK HERE TO **DOWNLOAD** THE COMPLETE MANUAL

- Thank you very much for reading the preview of the manual.
- You can download the complete manual from: [www.heydownloads.com](http://www.heydownloads.com) by clicking the link below



- Please note: If there is no response to CLICKING the link, please download this PDF first and then click on it.

CLICK HERE TO **DOWNLOAD** THE COMPLETE MANUAL