

5660HTS

TOOLS AND ACCESSORIES

TOOLS AND ACCESSORIES

IMPLEMENT AND CHAIN LINKS.....4U.35.1

ACCESSORY.....4U.35.2

CHOPPER

CHOPPER BLADE W.....4U.36.1

CLICK HERE TO **DOWNLOAD** THE COMPLETE MANUAL

- Thank you very much for reading the preview of the manual.
- You can download the complete manual from: www.heydownloads.com by clicking the link below

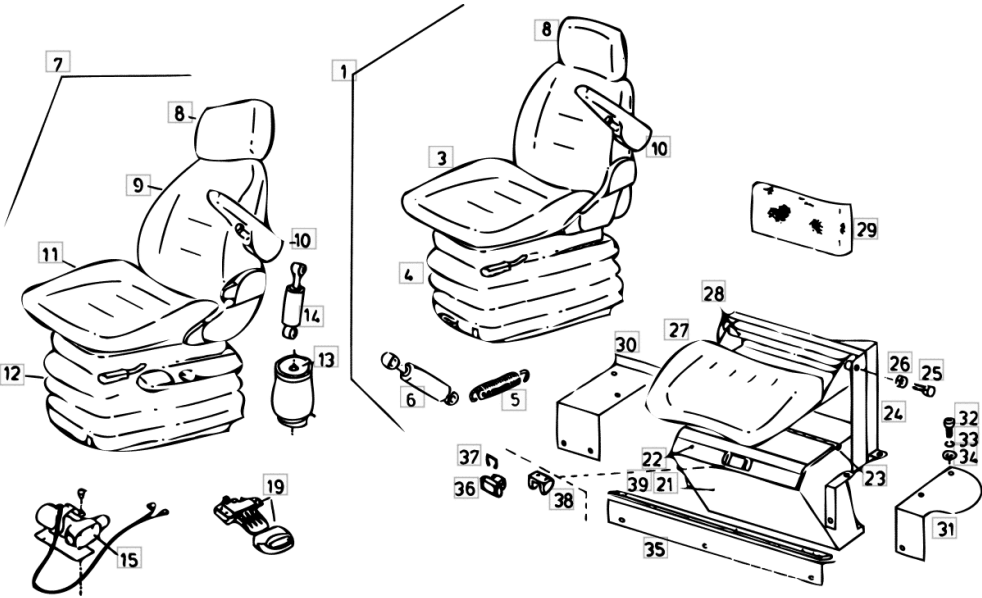


- Please note: If there is no response to CLICKING the link, please download this PDF first and then click on it.

CLICK HERE TO **DOWNLOAD** THE COMPLETE MANUAL

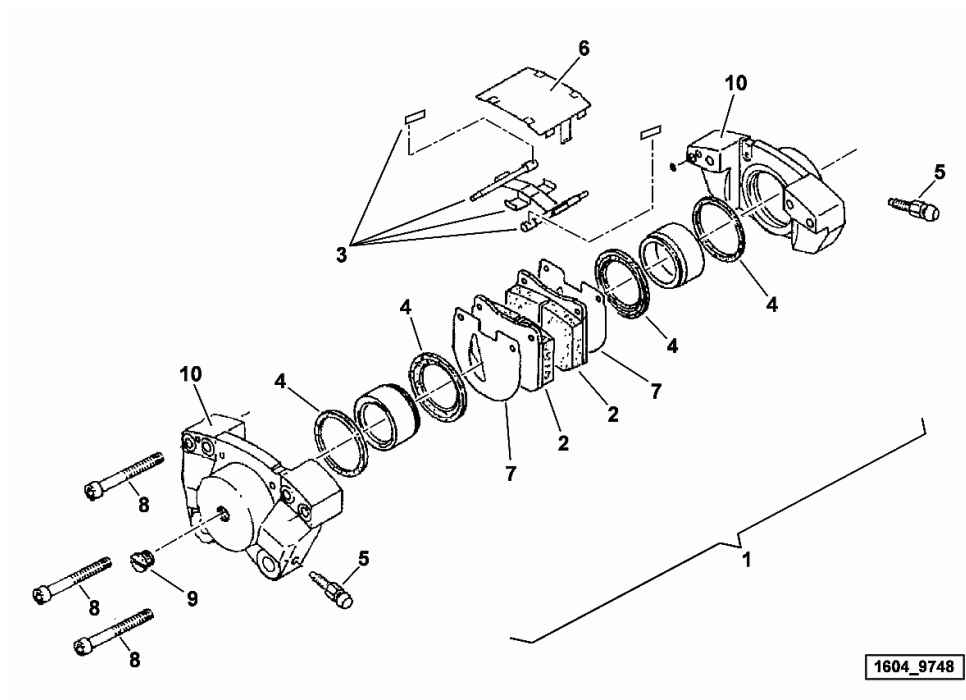
Section: CAB
DRIVER'S SEAT

Fig.	Code	QTY	Name
1	16055660	1	driver's seat MSG 85/722 M 5650 ☞ 16055660 ☞ 16055660
2	16055835	1	padding M 5650
3	16055836	1	padding M 5650
4	0.010.3079.1	1	bellows
5	04311768	1	spring
6	04350980.4	1	shoch.absorber
7	16055661	1	driver's seat MSG 95G/722 W / G 7 - 19 M 5650 ☞ 16055661 ☞ 16055661
8	16055837	1	embroiderhead
9	16055835	1	padding M 5650 W
10	16055839	1	small arm M 5650 W
11	16055836	1	padding M 5650 W
12	16031515	1	M 5650 guard M 5650 W
13	0.010.2959.2	1	M 5650 spring M 5650 W
14	04418241	1	shoch.absorber M 5650 W
15	04401404.4	1	gear compressor M 5650 W
19	04418242	1	M 5650 actuator W
21	16054190	1	container
22	16010227	1	cover
23	16010252	1	hinge
24	16055608	1	support
25	01112560	2	screw m 12 x 50
26	06209769	2	nut m 12, d985



Section: CAB
BRAKES sx/lh/li

Fig.	Code	QTY	Name
1	16049748	1	fixed yoke sx/lh/li
2	16031510	2	brake lining
3	16031512	1	accessories
4	16031511	1	gasket set
5	16031514	8	valve
6	16031513	2	lamination
7	0.000.0000.1	0	not serviceable
8	01145076	8	screw m 14 p.1.5 x 55
9	0.000.0000.1	0	not serviceable
10	0.000.0000.1	0	not serviceable



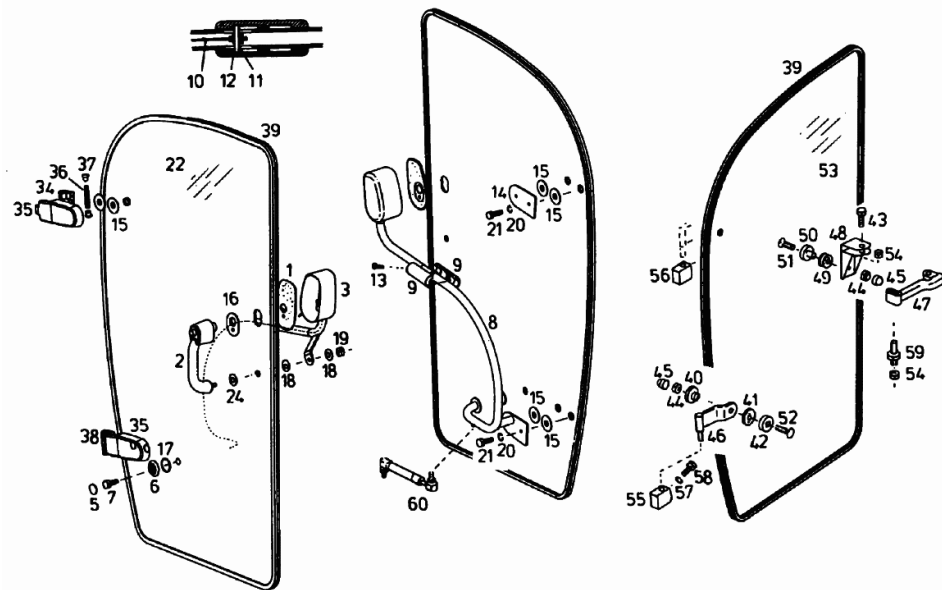
Section: CAB
CAB SIDE WINDOWS


Fig.	Code	QTY	Name
1	04413547	1	gasket
2	04413546	1	handle
3	04413573	1	cap
5	04413793	1	cap
6	04412814	1	washer
7	01112322	1	screw m 8 p.1.25 x 20
8	16044754	1	grip
9	04416216	1	grip
10	16044785	1	wire
11	01144894	1	pin 5 x 35
12	04416218	2	spacer
13	04413570	4	screw
14	16040735	1	lamination
15	04415424	8	disc
16	04412845	1	stop
17	01166059	1	'o' ring 40x3
18	01107105	1	washer 10.5
19	06209768	1	nut m 10, d985
20	01102799	4	washer 8, d128
21	01112341	4	screw m 8 x 30, d933
22	16044750	1	glass sx/lh/li
24	04413571	2	disc
34	16054117	1	hinge
35	16049414	2	hinge
36	04412819	2	pin
37	04414624	4	bushing
38	16054118	1	hinge
39	16034854	0	gasket mm 7200
40	06262286	2	washer
41	06262291	2	disc
42	06262288	2	disc
43	01112341	1	screw m 8 x 30, d933
44	01112824	4	nut m 8, d934
45	01174042	4	cap
46	16054152	2	hinge
47	04366776	1	handle
48	16053460	1	support
49	04366750	2	rubber bushing
50	04366751	2	disc
51	01132360	2	screw m 8 p.1.25 x 20
52	01137628	2	screw m 8 x 30
53	16055677	1	glass dx/rh/re
54	01104944	2	nut m 8, d985

Section: CAB
DRIVER'S CAB ROOF / FAN

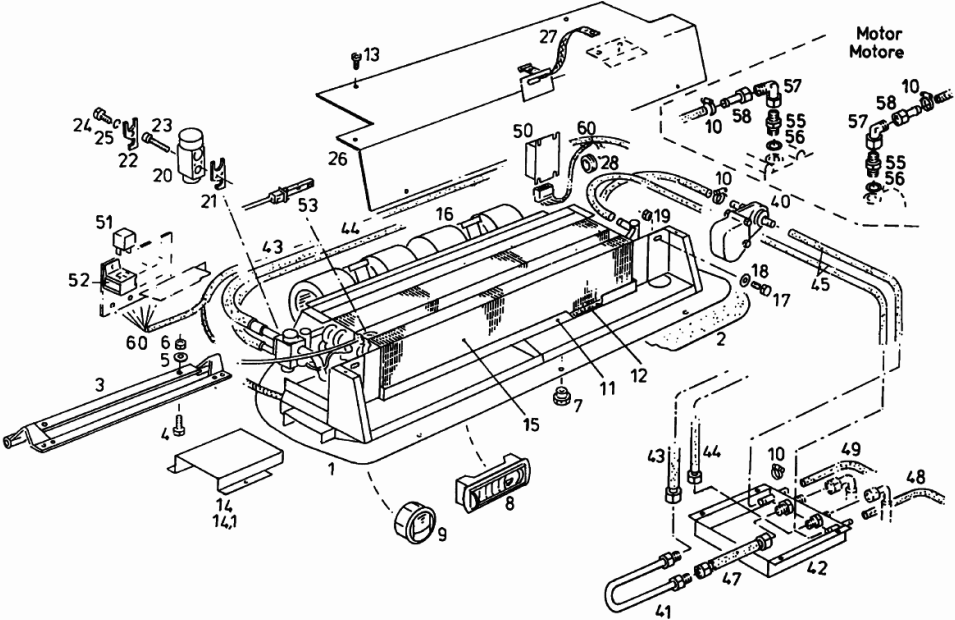


Fig.	Code	QTY	Name
1	16058717	1	chassis
2	16058714	1	panel
3	16057283	1	hinge
4	01112264	2	screw m 6 x 20, d933
5	01107095	2	washer 6.4
6	01114357	2	nut m 6, d985
7	01146026	3	knob
8	16057277	6	blower
9	0.009.0455.4	2	tongue mm 67.5
10	01133514	0	clamp Ø 20/32
11	16058719	1	water container
12	16058726	1	plate
13	06209762	3	screw m 5 p.0.8 x 25
14	16057292	1	plate sx/lh/li
15	16058715	1	water cooler
16	16057242	1	rotor blade
17	01112201	0	screw m 5 x 12
18	01107155	0	washer 5.5 x 10 x 1
19	06209765	0	nut m 5, d985
20	16058725	1	valve
21	16058723	1	support
22	16058724	1	support
23	01137982	2	screw
24	01103316	1	screw m 6 p.1.0 x 16
25	01102797	1	washer 6, d128
26	16058722	1	cover
27	16058809	1	band
28	06257542	2	rubber bushing
40	16057675	1	valve
41	16058727	1	tube U
42	16057289	1	container
43	16058754	1	flexible hose
44	16058755	1	flexible hose
45	16058757	1	flexible hose
47	16058756	1	flexible hose
48	16054361	1	flexible hose L = mm 5100
49	16054360	1	flexible hose L = mm 6800
50	16058728	1	thermostat
51	01178519	4	relay
52	01164650	4	base
53	16055913	1	sensor
55	01179535	2	pipe fitting m 26x1,5/15
56	01118764	2	ring 26.5
57	16022057	2	pipe fitting ew 15-l

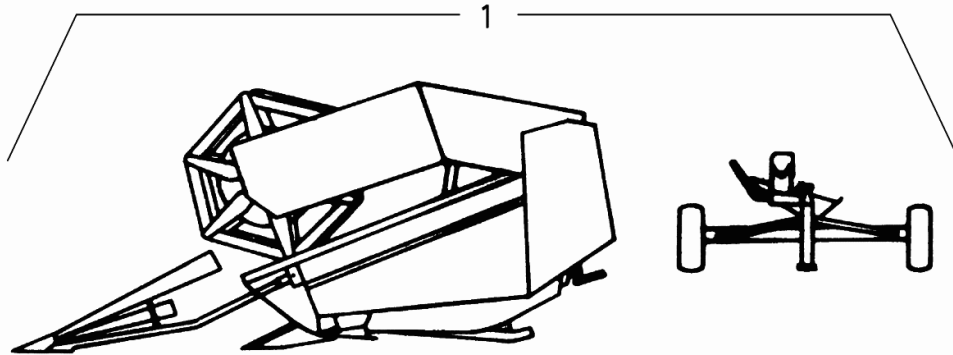
HIGH PERFORMANCE CUTTER BARS

Fig.	Code	QTY	Name
------	------	-----	------

Notes:

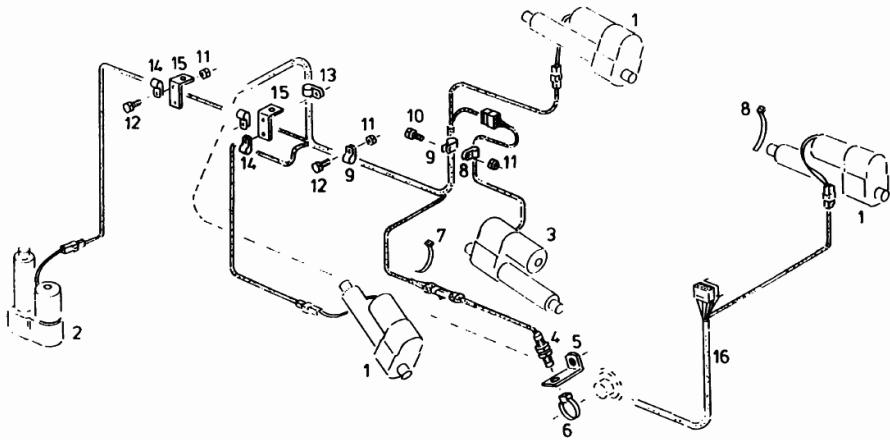
WHEN ORDERING SPARE PARTS FOR CUTTING TABLE,USE THE VALID SPARE PARTS LIST:

1	02952230	0	catalogue HMW CUTTING TABLE TABLE TROLLEY + 027408
---	----------	---	---



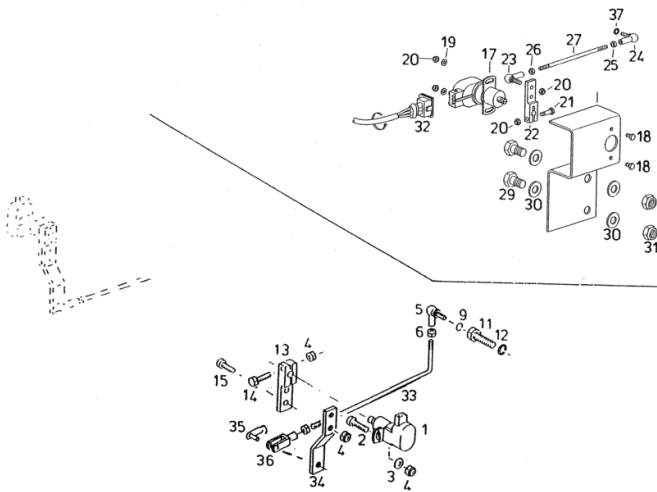
ELECTRICAL EQUIPMENT CLUTCH CONTROL

Fig.	Code	QTY	Name
1	16027276	3	electric motor
2	16027276	1	electric motor W
3	16054550	1	electric motor
4	16050180	1	sensor m 18 p.1
5	16050260	1	link
6	16050240	1	magneto T 13
7	01172065	0	clamp 4.6 x 146
8	16050269	1	clamp 10
9	01179998	1	clamp 16
10	01112264	1	screw m 6 x 20, d933
11	01114357	10	nut m 6, d985
12	01103316	10	screw m 6 p.1.0 x 16
13	16050270	2	clamp 22
14	16050224	5	clamp Ø 8
15	16052327	2	square
16	16062558	1	cable harness



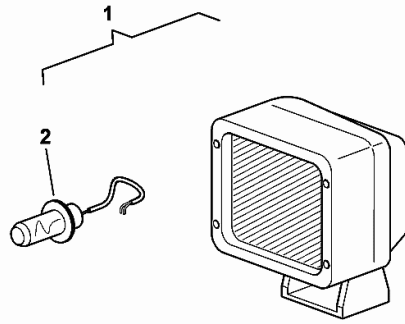
ELECTRICAL EQUIPMENT POSITIONING DEVICE BALANCE / W

Fig.	Code	QTY	Name
1	16062478	2	sensor
2	01124043	4	screw m 5 x 20
3	01140498	4	washer 5.3
4	06209765	6	nut m 5, d985
5	01137531	2	joint as 8
6	01112803	4	nut m 5, d934
9	01102796	4	ring 5
11	16025346	2	screw m 5/m 12
12	01102801	2	washer 12
13	16013959	2	lever
14	01123747	2	screw m 5 p.0.8 x 25
15	01119633	4	screw m 5 x 16
17	16062478	1	sensor
18	01112201	2	screw m 5 x 12
19	01140498	2	washer 5.3
20	06209765	4	nut m 5, d985
21	01123747	1	screw m 5 p.0.8 x 25
22	16013959	1	lever
23	01144169	1	pipe fitting as 8 li
24	01137531	1	joint as 8
25	01144462	1	nut m 5, d934
26	01112803	1	nut m 5, d934
27	16013960	1	rod L = mm 138 / m 5
28	16040628	1	support
29	01112529	2	screw m 12 x 30, d933
30	01123616	2	washer 13.5
31	06209769	2	nut m 12, d985
32	16062568	1	cable harness
33	16057089	2	rod m5
34	16057830	2	bracket
35	01146021	2	pin 5 x 20
36	01137155	2	fork m5
37	01117860	1	washer 5.3



INTERIOR LIGHT

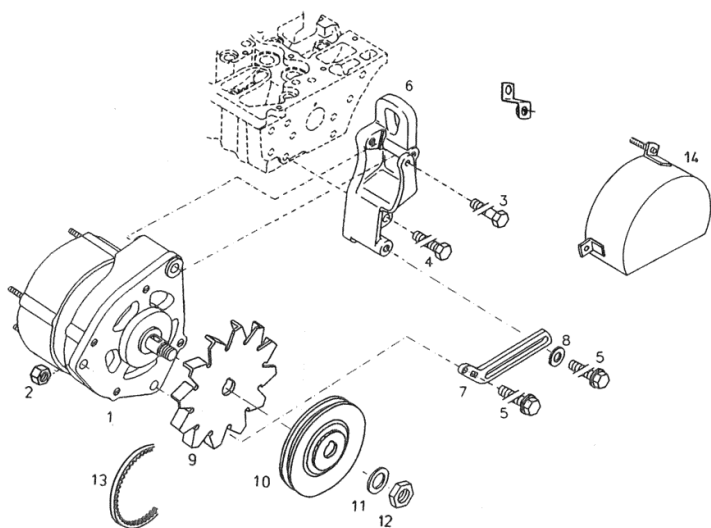
Fig.	Code	QTY	Name
1	16046038	1	headlight
2	01102258	1	lamp H3



1604_6038

ENGINE GENERATOR BF 6M 1013

Fig.	Code	QTY	Name
1	01181250	1	dynamo
2	01122477	1	nut m 8 p.1.25
3	01111183	1	screw
4	06209433	4	screw m 10 x 40
5	01181416	2	screw
6	04209685	1	console
7	04204573	1	link
8	02404201	1	washer
9	01162876	1	fan
10	01177344	1	pulley
11	01103952	1	spring disc
12	01151190	1	nut m16x1,5 d439
13	01180709	1	belt
14	16056954	1	sump
15	16062441	1	square



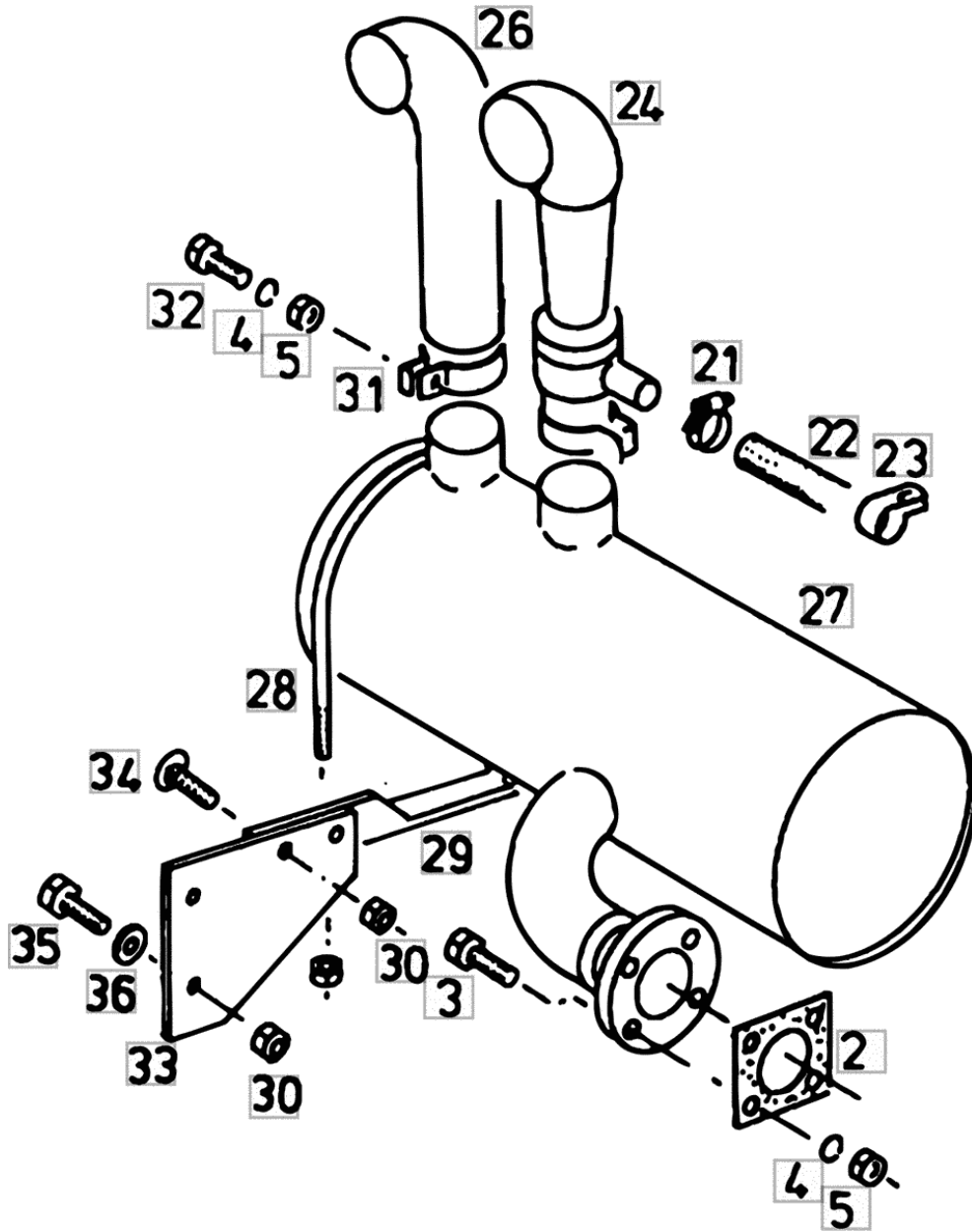
ENGINE EXHAUST SYSTEM ASSEMBLY PARTS

Fig.	Code	QTY	Name
2	04157260	1	gasket
3	06209433	4	screw m 10 x 40
4	01102800	5	washer 10.2
5	01102659	5	nut m 10, d934
11	01112429	2	screw m 10 x 30, d933
12	01102800	2	washer 10.2
13	01107165	2	washer 10.5
17	06279395	2	hose clip
18	01112333	2	screw m 8 x 25, d933
19	01102799	2	washer 8, d128
20	01112824	2	nut m 8, d934
21	01173968	2	clamp Ø 25/40
22	16055270	1	flexible hose Ø 32 / L = mm 3700
23	04336881	4	clamp Ø 38
24	06513395	1	tube
25	16010596	1	pin
26	16029496	1	exhaust
27	16022118	1	silencer
28	16022128	1	u bolt m 8
29	16054400	1	support
30	01104944	2	nut m 8, d985
31	01120895	1	hose clip Ø 75
32	06209433	2	screw m 10 x 40
33	16054401	1	support

Section: ENGINE
GUIDE PIPE

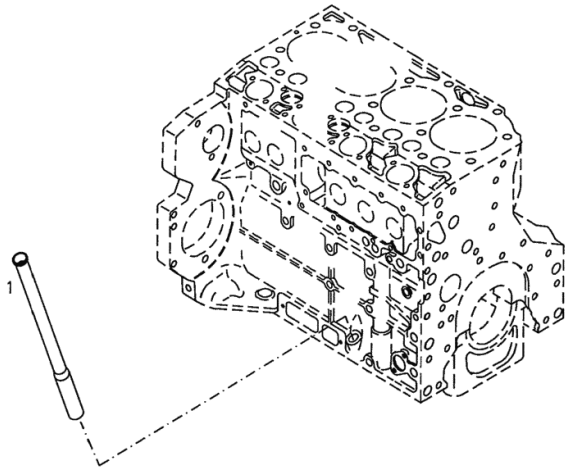
Fig.	Code	QTY	Name
------	------	-----	------

Engine Serial Numbers:

10020653 10024848 10101933 10101934 10101935 10101936 10101937 10101938 10101939 10101940 10101941
 10101942 10101943 10101944 10101945 10101946 10101947 10101948 10101949 10101950 10101951 10101952
 10101953 10101954 10102904 10102905 10102906 10102907 10102908 10102909 10102910 10102911 10102912
 10102913 10102914 10102915 10102916 10102917 10102918 10102919 10102920 10102921 10102922 10102923
 10102924 10102925 10102926 10102927 10102928 10102929 10102930 10102931 10102932 10102933 10102934
 10102935 10102936 10102937 10102938 10102939 10102940 10102941 10102942

1	04204590	1	guide
---	----------	---	-------

000



0507 0491

Section: ENGINE
VIBRATION DAMPER

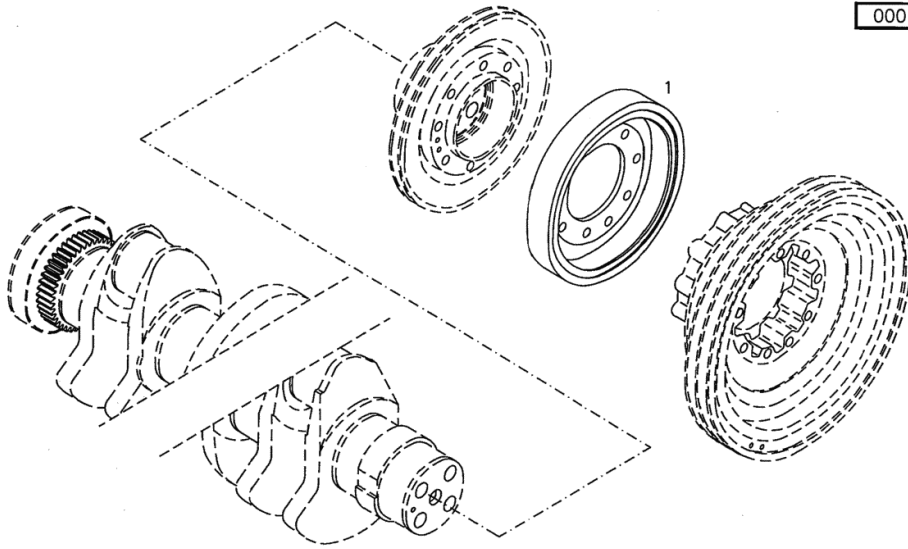
Fig.	Code	QTY	Name
------	------	-----	------

Engine Serial Numbers:

1025588 1025589 1025590 1025591 1025592 1025593 1025594 1025595 1025596 1025597 1025598 1025599
 1025600 1025601 1025602 1025603 1025604 1025605 1025606 1025607 1025608 1025609 1025610 1025611
 1025612 1025613 1025614 1025615 1025616 1025617 10020653 10024848 10079473 10079474 10079475 10079476
 10079477 10079478 10079479 10079480 10079481 10079482 10079483 10079484 10079485 10079486 10079487
 10079488 10079489 10079490 10079491 10079492 10079493 10079494 10079495 10079496 10079497 10079498
 10079499 10079500 10079501 10079502 10079503 10079504 10079505 10079506 10079507 10079508 10079509
 10079510 10079511 10079512 10101933 10101934 10101935 10101936 10101937 10101938 10101939 10101940
 10101941 10101942 10101943 10101944 10101945 10101946 10101947 10101948 10101949 10101950 10101951
 10101952 10101953 10101954 10102904 10102905 10102906 10102907 10102908 10102909 10102910 10102911
 10102912 10102913 10102914 10102915 10102916 10102917 10102918 10102919 10102920 10102921 10102922
 10102923 10102924 10102925 10102926 10102927 10102928 10102929 10102930 10102931 10102932 10102933
 10102934 10102935 10102936 10102937 10102938 10102939 10102940 10102941 10102942

000

1	04197566	1	pulley
---	----------	---	--------



0507 0385

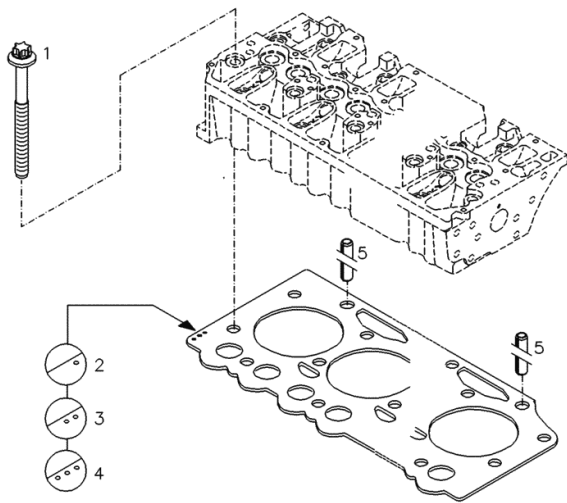
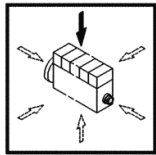
Section: ENGINE
FASTENINGS

Fig.	Code	QTY	Name
------	------	-----	------

Engine Serial Numbers:

10020653 10024848 10101933 10101934 10101935 10101936 10101937 10101938 10101939 10101940 10101941
 10101942 10101943 10101944 10101945 10101946 10101947 10101948 10101949 10101950 10101951 10101952
 10101953 10101954 10102904 10102905 10102906 10102907 10102908 10102909 10102910 10102911 10102912
 10102913 10102914 10102915 10102916 10102917 10102918 10102919 10102920 10102921 10102922 10102923
 10102924 10102925 10102926 10102927 10102928 10102929 10102930 10102931 10102932 10102933 10102934
 10102935 10102936 10102937 10102938 10102939 10102940 10102941 10102942

1	04202005	26	shim
2	04201559	1	gasket DEPENDENT ON MEASUREMENT RESULT SEAL THICKNESS -AS-DELIVERED CONDITION (A)= ...MM -ASSEMBLY CONDI
3	04201560	1	gasket DEPENDENT ON MEASUREMENT RESULT SEAL THICKNESS -AS-DELIVERED CONDITION (A)= ...MM -ASSEMBLY CONDI
4	04201561	1	gasket DEPENDENT ON MEASUREMENT RESULT SEAL THICKNESS -AS-DELIVERED CONDITION (A)= ...MM -ASSEMBLY CONDI
5	01181403	2	screw H 2341 -B18X18-FE/ZN12C*



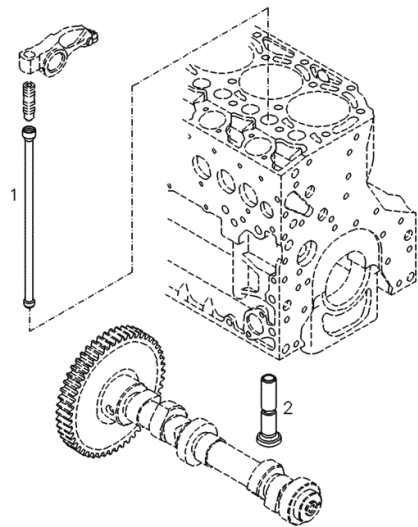
Section: ENGINE
VALVE DRIVE

Fig.	Code	QTY	Name
------	------	-----	------

Engine Serial Numbers:

10020653 10024848 10101933 10101934 10101935 10101936 10101937 10101938 10101939 10101940 10101941
 10101942 10101943 10101944 10101945 10101946 10101947 10101948 10101949 10101950 10101951 10101952
 10101953 10101954 10102904 10102905 10102906 10102907 10102908 10102909 10102910 10102911 10102912
 10102913 10102914 10102915 10102916 10102917 10102918 10102919 10102920 10102921 10102922 10102923
 10102924 10102925 10102926 10102927 10102928 10102929 10102930 10102931 10102932 10102933 10102934
 10102935 10102936 10102937 10102938 10102939 10102940 10102941 10102942

1	04206378	2	rod
2	04251063	2	tappets



001

0507 2977

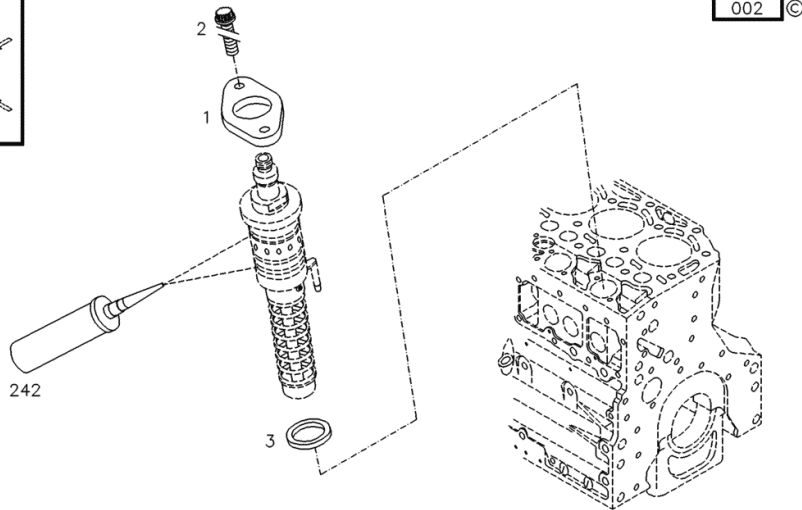
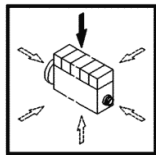
FASTENINGS

Fig.	Code	QTY	Name
------	------	-----	------

Engine Serial Numbers:

10020653 10024848 10101933 10101934 10101935 10101936 10101937 10101938 10101939 10101940 10101941
 10101942 10101943 10101944 10101945 10101946 10101947 10101948 10101949 10101950 10101951 10101952
 10101953 10101954 10102904 10102905 10102906 10102907 10102908 10102909 10102910 10102911 10102912
 10102913 10102914 10102915 10102916 10102917 10102918 10102919 10102920 10102921 10102922 10102923
 10102924 10102925 10102926 10102927 10102928 10102929 10102930 10102931 10102932 10102933 10102934
 10102935 10102936 10102937 10102938 10102939 10102940 10102941 10102942

1	02112400	1	flange B=950-983
2	01181763	2	screw
3	04293902	1	disc A = 1,0MM
242	01016105	1	sealing compound
950	04293903	1	disc MM THICK 1.10 MM
951	04293904	1	disc MM THICK 1.20 MM
952	04293905	1	disc MM THICK 1,3 MM
953	04293906	1	disc MM THICK 1.40 MM
954	04293907	1	shim MM THICK 1.50 MM
955	04293908	1	shim MM THICK 1.60 MM
956	04293909	1	shim MM THICK 1.70 MM
957	04293910	1	shim MM THICK 1.80 MM
958	04293911	1	shim MM THICK 1.90 MM
959	04293912	1	disc MM THICK 2.00 MM



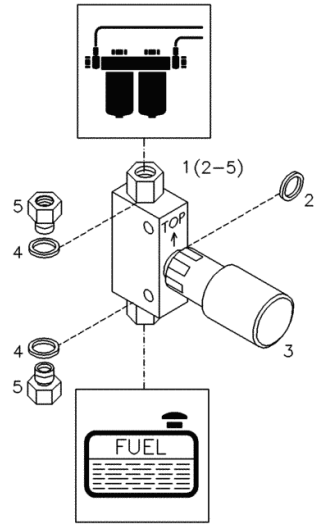
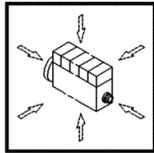
0507 4783

Section: ENGINE
FUEL FEED PUMP

Fig.	Code	QTY	Name
------	------	-----	------

Engine Serial Numbers:

1025588 1025589 1025590 1025591 1025592 1025593 1025594 1025595 1025596 1025597 1025598 1025599
 1025600 1025601 1025602 1025603 1025604 1025605 1025606 1025607 1025608 1025609 1025610 1025611
 1025612 1025613 1025614 1025615 1025616 1025617 10020653 10024848 10079473 10079474 10079475 10079476
 10079477 10079478 10079479 10079480 10079481 10079482 10079483 10079484 10079485 10079486 10079487
 10079488 10079489 10079490 10079491 10079492 10079493 10079494 10079495 10079496 10079497 10079498
 10079499 10079500 10079501 10079502 10079503 10079504 10079505 10079506 10079507 10079508 10079509
 10079510 10079511 10079512 10101933 10101934 10101935 10101936 10101937 10101938 10101939 10101940
 10101941 10101942 10101943 10101944 10101945 10101946 10101947 10101948 10101949 10101950 10101951
 10101952 10101953 10101954 10102904 10102905 10102906 10102907 10102908 10102909 10102910 10102911
 10102912 10102913 10102914 10102915 10102916 10102917 10102918 10102919 10102920 10102921 10102922
 10102923 10102924 10102925 10102926 10102927 10102928 10102929 10102930 10102931 10102932 10102933
 10102934 10102935 10102936 10102937 10102938 10102939 10102940 10102941 10102942



000 ©

1	02113221	1	pump WITH ITEM (2-5)
2	01148356	1	'o' ring DIN 7603 -A16X20-ST
3	02113238	1	pump
4	01118727	2	'o' ring DIN 7603 -A20X24-CU
5	02111964	2	pipe fitting

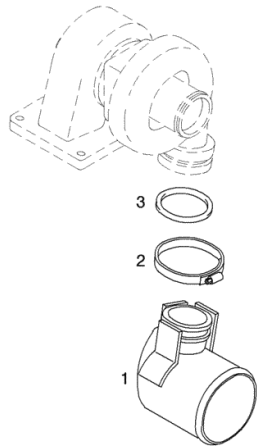
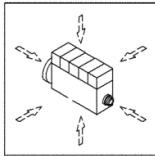
Section: ENGINE
MANIFOLD

Fig.	Code	QTY	Name
------	------	-----	------

Engine Serial Numbers:

10020653 10024848 10101933 10101934 10101935 10101936 10101937 10101938 10101939 10101940 10101941
 10101942 10101943 10101944 10101945 10101946 10101947 10101948 10101949 10101950 10101951 10101952
 10101953 10101954 10102904 10102905 10102906 10102907 10102908 10102909 10102910 10102911 10102912
 10102913 10102914 10102915 10102916 10102917 10102918 10102919 10102920 10102921 10102922 10102923
 10102924 10102925 10102926 10102927 10102928 10102929 10102930 10102931 10102932 10102933 10102934
 10102935 10102936 10102937 10102938 10102939 10102940 10102941 10102942

1	04204651	1	manifold
2	01174133	1	hose clip
002 ©			DIN 3017 -A-60-80X13-W1-2
3	02424963	1	'o' ring
4	01180348	1	'o' ring H 2927 -51X6-FPM-1-70



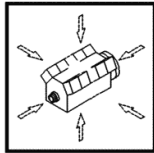
ab Baumontat:
 from month of manufacture: 08.1995
 a partir mois de montage:
 a partir del mes de fabricacion:

Section: ENGINE
ADJUSTER INSTRUMENT

Fig.	Code	QTY	Name
------	------	-----	------

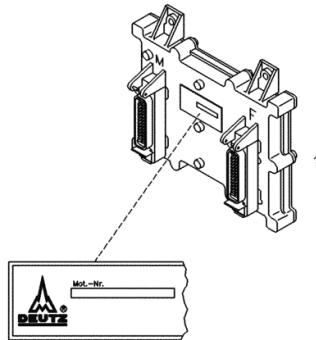
Engine Serial Numbers:

1025588 1025589 1025590 1025591 1025592 1025593 1025594 1025595 1025596 1025597 1025598 1025599
 1025600 1025601 1025602 1025603 1025604 1025605 1025606 1025607 1025608 1025609 1025610 1025611
 1025612 1025613 1025614 1025615 1025616 1025617 10020653 10024848 10079473 10079474 10079475 10079476
 10079477 10079478 10079479 10079480 10079481 10079482 10079483 10079484 10079485 10079486 10079487
 10079488 10079489 10079490 10079491 10079492 10079493 10079494 10079495 10079496 10079497 10079498
 10079499 10079500 10079501 10079502 10079503 10079504 10079505 10079506 10079507 10079508 10079509
 10079510 10079511 10079512 10101933 10101934 10101935 10101936 10101937 10101938 10101939 10101940
 10101941 10101942 10101943 10101944 10101945 10101946 10101947 10101948 10101949 10101950 10101951
 10101952 10101953 10101954 10102904 10102905 10102906 10102907 10102908 10102909 10102910 10102911
 10102912 10102913 10102914 10102915 10102916 10102917 10102918 10102919 10102920 10102921 10102922
 10102923 10102924 10102925 10102926 10102927 10102928 10102929 10102930 10102931 10102932 10102933
 10102934 10102935 10102936 10102937 10102938 10102939 10102940 10102941 10102942



001 ©

1	0419498	1	central device SCHEDULED SCHEDULED
950	0419479	1	central device - STANDARD DEVICE



Section: ENGINE
EXHAUST PIPE

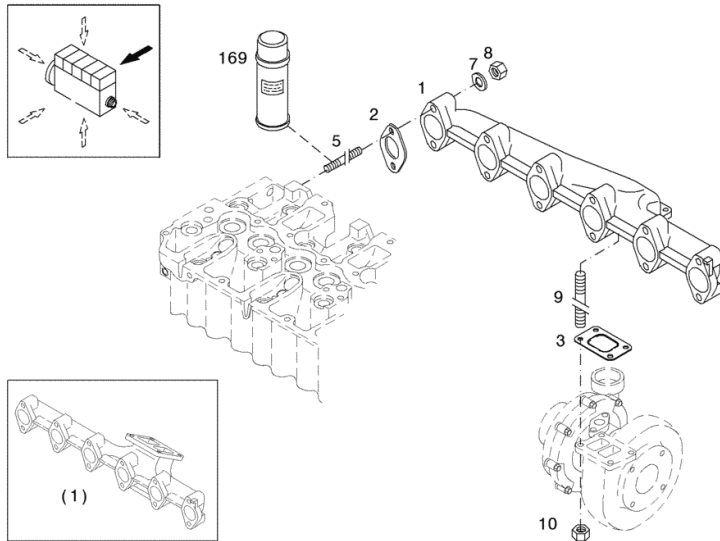
Fig.	Code	QTY	Name
------	------	-----	------

Engine Serial Numbers:

1025588 1025589 1025590 1025591 1025592 1025593 1025594 1025595 1025596 1025597 1025598 1025599
 1025600 1025601 1025602 1025603 1025604 1025605 1025606 1025607 1025608 1025609 1025610 1025611
 1025612 1025613 1025614 1025615 1025616 1025617 10020653 10024848 10079473 10079474 10079475 10079476
 10079477 10079478 10079479 10079480 10079481 10079482 10079483 10079484 10079485 10079486 10079487
 10079488 10079489 10079490 10079491 10079492 10079493 10079494 10079495 10079496 10079497 10079498
 10079499 10079500 10079501 10079502 10079503 10079504 10079505 10079506 10079507 10079508 10079509
 10079510 10079511 10079512 10101933 10101934 10101935 10101936 10101937 10101938 10101939 10101940
 10101941 10101942 10101943 10101944 10101945 10101946 10101947 10101948 10101949 10101950 10101951
 10101952 10101953 10101954 10102904 10102905 10102906 10102907 10102908 10102909 10102910 10102911
 10102912 10102913 10102914 10102915 10102916 10102917 10102918 10102919 10102920 10102921 10102922
 10102923 10102924 10102925 10102926 10102927 10102928 10102929 10102930 10102931 10102932 10102933
 10102934 10102935 10102936 10102937 10102938 10102939 10102940 10102941 10102942

003 ©

1	04255832	1	manifold
2	04283299	6	gasket
3	04283302	1	gasket
5	04285656	12	screw
7	04197422	12	washer
8	01182036	12	nut
9	01148620	4	stud bolt DIN 939 -M10X25-21CRMV57V*
10	01144673	4	nut DIN 934 -M10-21CRMV57OELGESCH
11	04291996	12	spacer

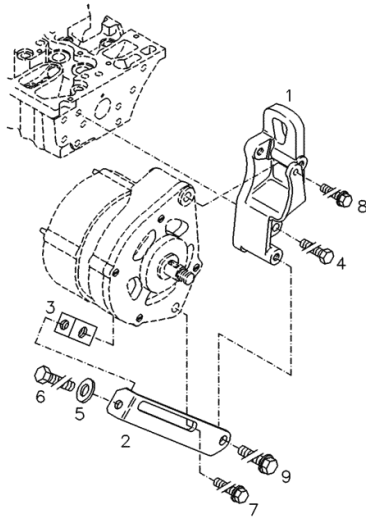
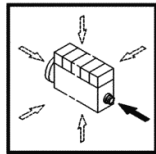


Section: ENGINE
ACCESSORIES

Fig.	Code	QTY	Name
------	------	-----	------

Engine Serial Numbers:

1025588 1025589 1025590 1025591 1025592 1025593 1025594 1025595 1025596 1025597 1025598 1025599
 1025600 1025601 1025602 1025603 1025604 1025605 1025606 1025607 1025608 1025609 1025610 1025611
 1025612 1025613 1025614 1025615 1025616 1025617 10020653 10024848 10079473 10079474 10079475 10079476
 10079477 10079478 10079479 10079480 10079481 10079482 10079483 10079484 10079485 10079486 10079487
 10079488 10079489 10079490 10079491 10079492 10079493 10079494 10079495 10079496 10079497 10079498
 10079499 10079500 10079501 10079502 10079503 10079504 10079505 10079506 10079507 10079508 10079509
 10079510 10079511 10079512 10101933 10101934 10101935 10101936 10101937 10101938 10101939 10101940
 10101941 10101942 10101943 10101944 10101945 10101946 10101947 10101948 10101949 10101950 10101951
 10101952 10101953 10101954 10102904 10102905 10102906 10102907 10102908 10102909 10102910 10102911
 10102912 10102913 10102914 10102915 10102916 10102917 10102918 10102919 10102920 10102921 10102922
 10102923 10102924 10102925 10102926 10102927 10102928 10102929 10102930 10102931 10102932 10102933
 10102934 10102935 10102936 10102937 10102938 10102939 10102940 10102941 10102942



000 ©

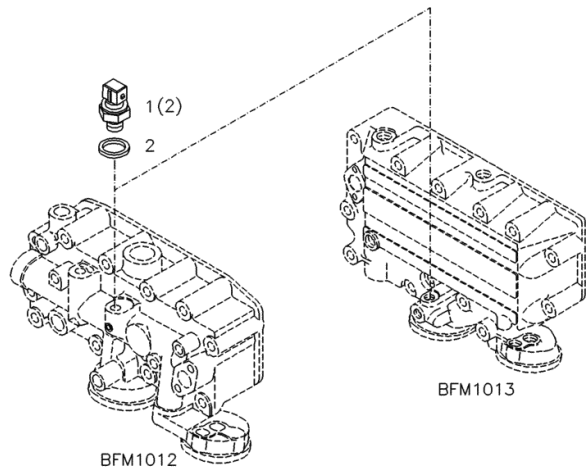
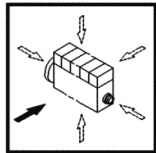
1	04209685	1	console
2	04283483	1	bracket
3	04284548	1	small column
4	01148540	4	screw DIN 933 -M10X40-10.9-ZNAL-A
5	01148124	1	washer 8,4 DIN 125 -8,4-200HV-A4C
6	01126185	1	screw ISO 4017 -M8X120-8.8-A4C
7	01181432	1	screw EN 1662 -F-M8X30-10.9-ZNAL-A
8	01181435	1	screw EN 1662 -F-M8X75-10.9-ZNAL-A*
9	01181416	1	screw EN 1662 -F-M8X25-10.9-ZNAL-A

Section: ENGINE
OIL PRESSUR.SWITCH

Fig.	Code	QTY	Name
------	------	-----	------

Engine Serial Numbers:

1025588 1025589 1025590 1025591 1025592 1025593 1025594 1025595 1025596 1025597 1025598 1025599
 1025600 1025601 1025602 1025603 1025604 1025605 1025606 1025607 1025608 1025609 1025610 1025611
 1025612 1025613 1025614 1025615 1025616 1025617 10020653 10024848 10079473 10079474 10079475 10079476
 10079477 10079478 10079479 10079480 10079481 10079482 10079483 10079484 10079485 10079486 10079487
 10079488 10079489 10079490 10079491 10079492 10079493 10079494 10079495 10079496 10079497 10079498
 10079499 10079500 10079501 10079502 10079503 10079504 10079505 10079506 10079507 10079508 10079509
 10079510 10079511 10079512 10101933 10101934 10101935 10101936 10101937 10101938 10101939 10101940
 10101941 10101942 10101943 10101944 10101945 10101946 10101947 10101948 10101949 10101950 10101951
 10101952 10101953 10101954 10102904 10102905 10102906 10102907 10102908 10102909 10102910 10102911
 10102912 10102913 10102914 10102915 10102916 10102917 10102918 10102919 10102920 10102921 10102922
 10102923 10102924 10102925 10102926 10102927 10102928 10102929 10102930 10102931 10102932 10102933
 10102934 10102935 10102936 10102937 10102938 10102939 10102940 10102941 10102942



000 ©

1	01182298	1	pressure switch H 821021-RB4-0,5/0,3-0,9-STEINGRAU WITH ITEM (2)
2	01118688	1	ring 14x17 DIN 7603 -A14X18-CU

Section: ENGINE
FASTENINGS

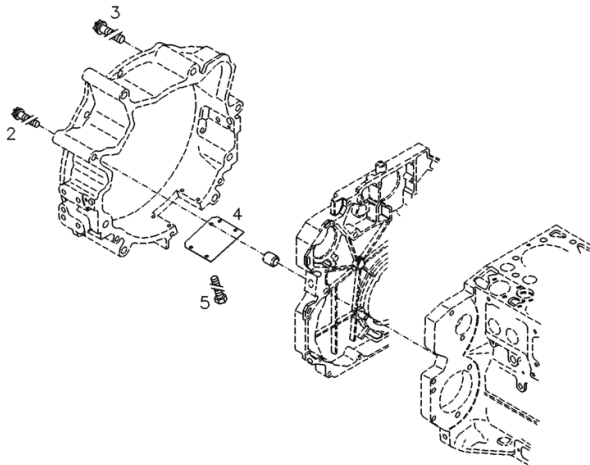
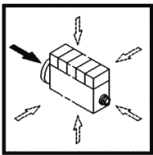
Fig.	Code	QTY	Name
------	------	-----	------

Engine Serial Numbers:

1025588 1025589 1025590 1025591 1025592 1025593 1025594 1025595 1025596 1025597 1025598 1025599
 1025600 1025601 1025602 1025603 1025604 1025605 1025606 1025607 1025608 1025609 1025610 1025611
 1025612 1025613 1025614 1025615 1025616 1025617 10020653 10024848 10079473 10079474 10079475 10079476
 10079477 10079478 10079479 10079480 10079481 10079482 10079483 10079484 10079485 10079486 10079487
 10079488 10079489 10079490 10079491 10079492 10079493 10079494 10079495 10079496 10079497 10079498
 10079499 10079500 10079501 10079502 10079503 10079504 10079505 10079506 10079507 10079508 10079509
 10079510 10079511 10079512 10101933 10101934 10101935 10101936 10101937 10101938 10101939 10101940
 10101941 10101942 10101943 10101944 10101945 10101946 10101947 10101948 10101949 10101950 10101951
 10101952 10101953 10101954 10102904 10102905 10102906 10102907 10102908 10102909 10102910 10102911
 10102912 10102913 10102914 10102915 10102916 10102917 10102918 10102919 10102920 10102921 10102922
 10102923 10102924 10102925 10102926 10102927 10102928 10102929 10102930 10102931 10102932 10102933
 10102934 10102935 10102936 10102937 10102938 10102939 10102940 10102941 10102942

001 ©

2	01181429	2	screw H 2032 -HBM12X160-10.9-ZNAL-A
3	01181430	4	screw H 2032 -HBM16X150-10.9-ZNAL-A
4	04195681	1	lamination
5	01148199	4	screw ISO 4017 -M6X12-8.8-ZNAL-A



CLICK HERE TO **DOWNLOAD** THE COMPLETE MANUAL

- Thank you very much for reading the preview of the manual.
- You can download the complete manual from: www.heydownloads.com by clicking the link below



- Please note: If there is no response to CLICKING the link, please download this PDF first and then click on it.

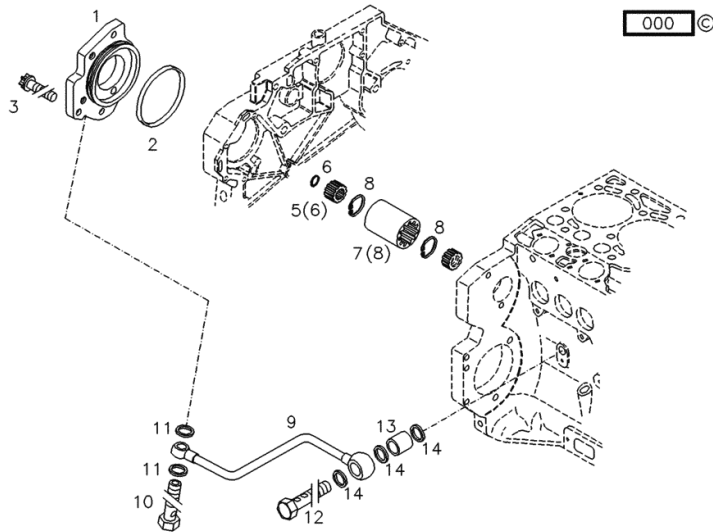
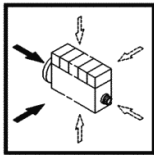
CLICK HERE TO **DOWNLOAD** THE COMPLETE MANUAL

Section: ENGINE
HYDRAULIC PUMP DRIVE

Fig.	Code	QTY	Name
------	------	-----	------

Engine Serial Numbers:
 10020653 10024848

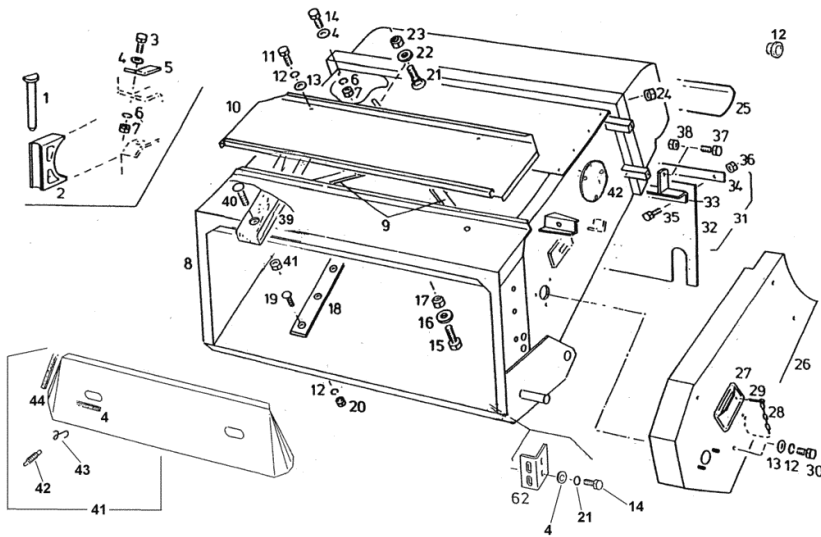
1	04256498	1	flange
2	01160962	1	'o' ring H 2927 -82X4-NBR-1-70
3	01179773	3	screw DIN 34800 -CM8X60-10.9-A4C-W
5	04256466	1	pipe fitting WITH ITEM
6	01107803	1	circlip DIN 472 -14X1
7	04256471	1	sleeve WITH ITEM
8	01107814	2	circlip DIN 472 -25X1,2
9	04256477	1	tube
10	01119237	1	pipe union DIN 7643 -6-4-A3L
11	01118659	2	'o' ring DIN 7603 -A10X13,5-CU
12	01178626	1	pipe union H 3103 -A10M-A4C
13	04141419	1	shim
14	01118688	3	ring 14x17 DIN 7603 -A14X18-CU



Section: FEED PASSAGE

FEEDER CHANNEL

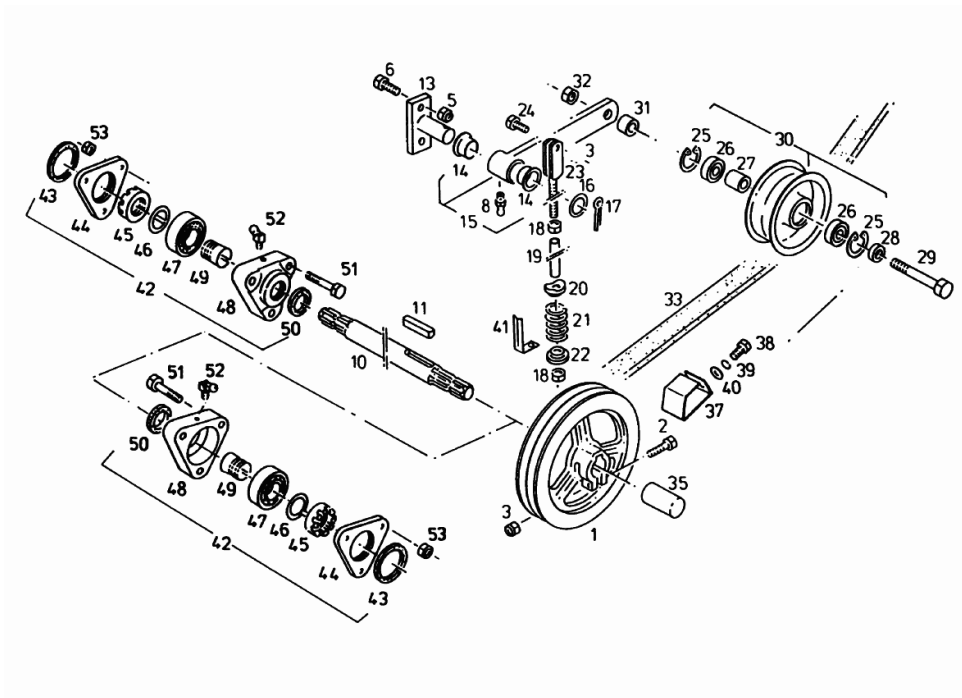
Fig.	Code	QTY	Name
1	06261209	2	pin Ø 22 x 205
2	06501758	2	support
3	01112439	2	screw m 10 x 35, d933
4	01107165	10	washer 10.5
5	06261190	2	bracket
6	01102800	10	washer 10.2
7	01102659	10	nut m 10, d934
8	16062274	1	delivery channel
9	16019642	2	key
10	06549830	1	lamination
11	01112322	2	screw m 8 p.1.25 x 20
12	01102799	26	washer 8, d128
13	01107163	6	washer 9, d126
14	01112418	8	screw m 10 x 25, d933
15	01124846	2	screw m 16 x 60
16	06255221	2	washer 18
17	01136464	2	nut m 16
18	06549757	4	rail L = mm 730 (PVC)
19	06207534	20	screw m 8 p.1.25 x 20
20	01112824	20	nut m 8, d934
21	01138812	1	screw m 12 x 35
22	01133726	1	washer 13
23	06209769	1	nut m 12, d985
24	01112886	4	nut m 16
25	06546090	1	crosspiece
26	16054337	1	lamination
27	06261005	1	small cover PVC
28	01139119	1	chain 2.8 9 gl.
29	01138904	1	split pin 5 x 36
30	01112307	4	screw m 8 p.1.25 x 15, d933
31	16013460	1	casing W
32	16013400	1	cloth/tarpaulin? W
33	06521163	1	square W
34	06287364	1	rail W
35	01112333	9	screw m 8 x 25, d933 W
36	01104944	9	nut m 8, d985 W
37	01112529	2	screw m 12 x 30, d933 W



Section: FEED PASSAGE

CUTTER BAR DRIVE FEEDER CHANNEL

Fig.	Code	QTY	Name
50	01122873	2	felt band 35 x 47 x 5,0
51	01112575	6	screw m 12 x 65, d933
52	01120697	2	lubricator bm 8 x 1
53	06209769	6	nut m 12, d985



Section: FRAME
COLOUR LABEL

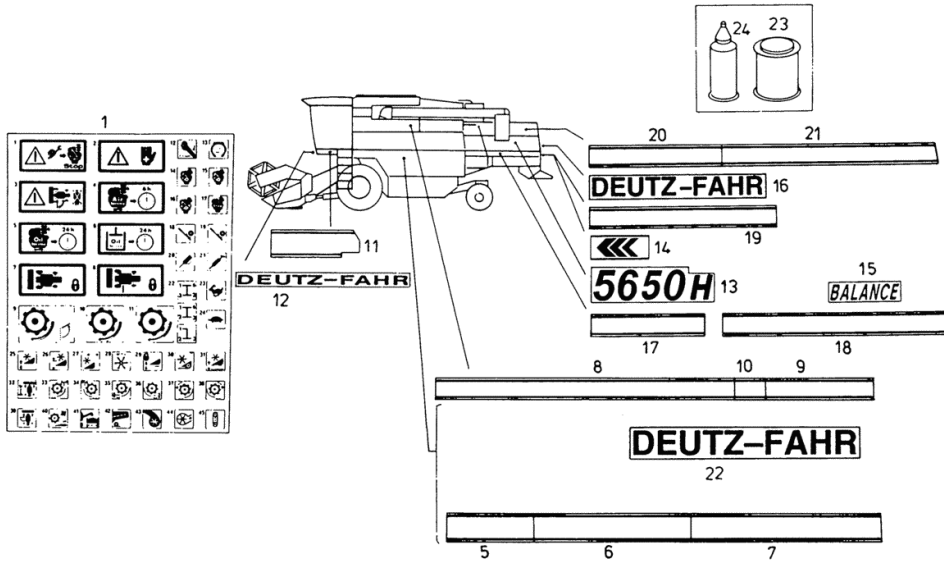
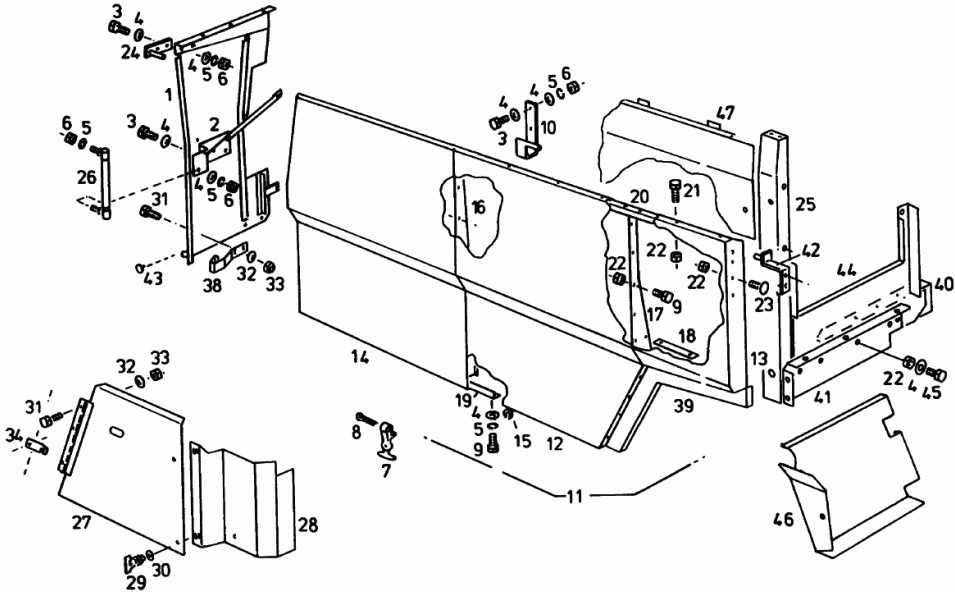


Fig.	Code	QTY	Name
1	06517503	1	plate
5	01146006	0	stickers 190x1418 715 MM
6	01146006	2	stickers 190x1418
7	01146006	0	stickers 190x1418 SX mm 1413
8	01145120	2	stickers 130x1950
9	01145120	0	stickers 130x1950 SX mm 1445
10	01145120	0	stickers 130x1950 SX mm 170
11	01146006	0	stickers 190x1418 485 MM
12	01145993	1	stickers
13	16062417	2	plate 22.5x27x37x18.2
14	01145848	2	stickers
15	01145535	2	advertising material
16	01145992	1	stickers
17	01145120	0	stickers 130x1950 870 MM
18.1	01145120	0	stickers 130x1950 DX mm 1685
19	01145120	0	stickers 130x1950 1530 MM
20	01145120	0	stickers 130x1950
21	01145120	0	stickers 130x1950 3010 MM
22	01145994	2	stickers
23	04436314	0	paint
24.1	01008301	0	paint

Section: FRAME
R.H. LINING

Fig.	Code	QTY	Name
45	01112333	0	screw m 8 x 25, d933
46	16062326	1	sump
47	16054838	1	cover



Section: FRONT AXEL
STEERING AXLE ADJUSTABLE W 5660

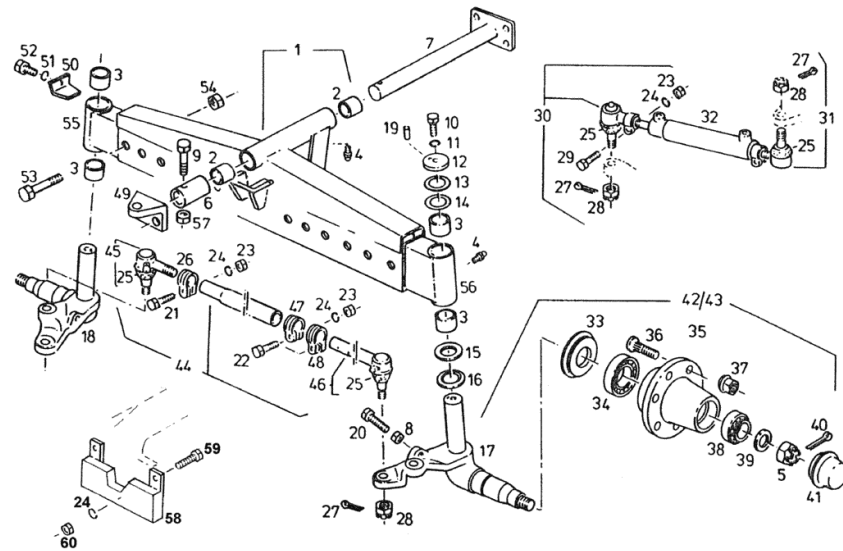
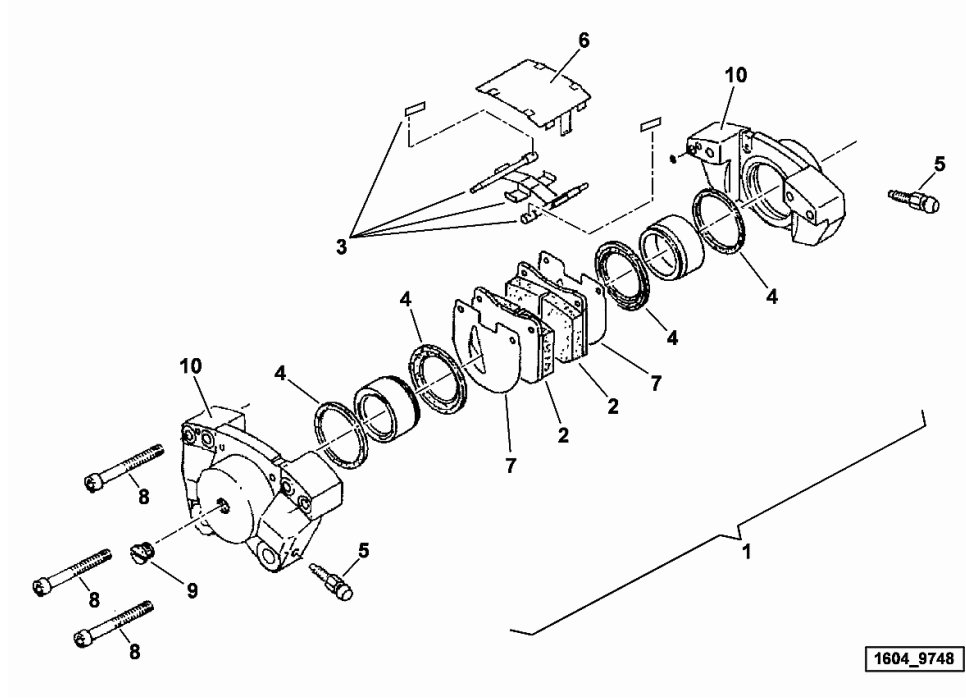


Fig.	Code	QTY	Name
1	16026269	1	axle
2	06215731	2	bushing 40 x 44 x 40
3	16050731	4	bushing 60 x 65 x 60
4	01120892	3	hose clip 70,5 d71555
5	06209574	2	nut m 30 p.1.5
6	06502017	1	bushing
7	06502000	1	pin Ø 40 / L = mm 490
8	01112858	2	nut m 12, d934
9	01112575	1	screw m 12 x 65, d933
10	01112529	2	screw m 12 x 30, d933
11	01102801	2	washer 12
12	16050728	2	small cover
13	16050732	2	ring 1.0 x 60 x 85
14	06214517	2	shim 63 x 80 x 0.1
14.1	06214519	2	shim 63 x 80 x 0.3
14.2	06214520	2	shim 63 x 80 x 0.5
15	16050730	2	thrust plate
16	16050729	2	ring
17	16057140	1	wheel spindle sx/lh/li
18	16057139	1	wheel spindle dx/rh/re
19	01115449	2	pin
20	01112554	2	screw m 12 x 45
21	01100104	1	screw m 10 x 60
22	01100104	2	screw m 10 x 60
23	01102659	3	nut m 10, d934
24	01102800	3	washer 10.2
25	06542643	4	cover
26	02371237	1	clamp
27	01143005	4	split pin 4 x 45 d94
28	01135957	6	castellated nut
29	01111308	4	screw m 10 x 50
30	06537813	2	ball joint
31	06537815	2	ball joint
32	06540120	2	cylinder Ø 45 B D40 ☞ 06540120
33	16050726	2	'o' ring
34	01145966	2	bearing 33112
35	16053720	2	hub
36	06238986	12	screw m 18 p.1.5
37	01101323	12	bolt m 18 p.1.5
38	01110001	2	bearing 32207
39	06214372	2	washer 30
40	01143009	2	split pin 6.3 x 50

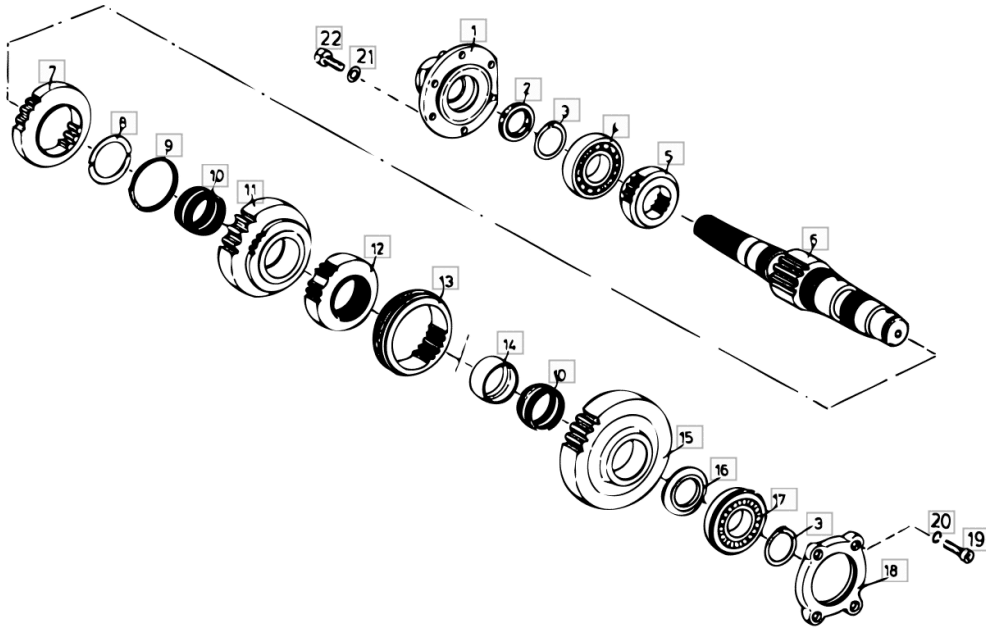
Section: FRONT AXEL
BRAKES sx/lh/li

Fig.	Code	QTY	Name
1	16049748	1	fixed yoke sx/lh/li
2	16031510	2	brake lining
3	16031512	1	accessories
4	16031511	1	gasket set
5	16031514	8	valve
6	16031513	2	lamination
7	0.000.0000.1	0	not serviceable
8	01145076	8	screw m 14 p.1.5 x 55
9	0.000.0000.1	0	not serviceable
10	0.000.0000.1	0	not serviceable



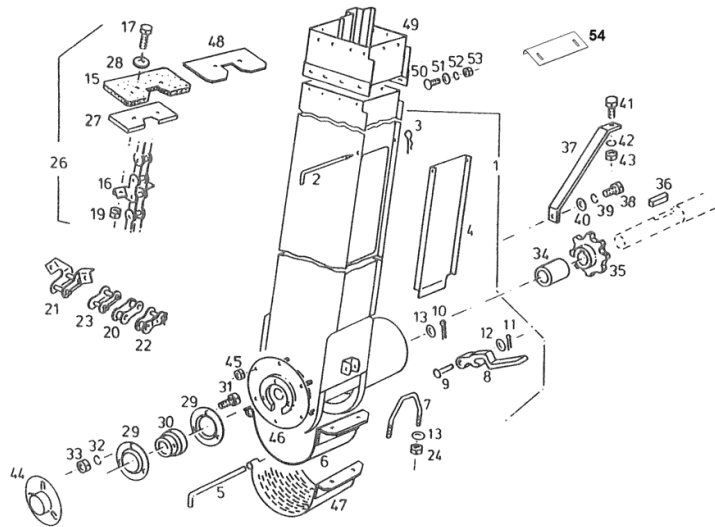
INTERMEDIATE SHAFT TRANSMISSION

Fig.	Code	QTY	Name
1	16052957	1	support
2	16052958	1	'o' ring 45x62x10
3	01107760	1	circlip 45x1.75
4	01117311	1	bearing nup 309 ec
5	16052959	1	gear Z = 25
6	16052960	1	shaft
7	16052961	1	gear Z = 36
8	16052962	1	snoulder
9	16052963	1	ring
10	01145355	1	ring k 58x65x36
11	16052964	1	gear Z = 41
12	16052948	1	hub
13	16052949	1	sleeve
14	16052965	1	ring
15	16052966	1	gear Z = 49
16	16052967	1	bushing
17	01109134	1	ball bearing
18	16052953	1	cover sx/lh/li
19	01110652	4	screw m10x25 d912-10
20	01102800	4	washer 10.2
21	06214280	6	washer 13 x 24 x 2.5
22	01102701	6	screw m12x30 10 d933



GRAIN ELEVATOR

Fig.	Code	QTY	Name
			V (GB
45	01111357	6	screw
46	06515069	1	cover
47	06526469	1	cover
			W
48	06526479	1	scraper
			W
49	16006608	1	extension
50	06214133	10	screw m 6 x 20
51	06214189	10	washer 6.4
52	01102797	10	washer 6, d128
53	01112813	10	nut m 6
54	16047245	1	support



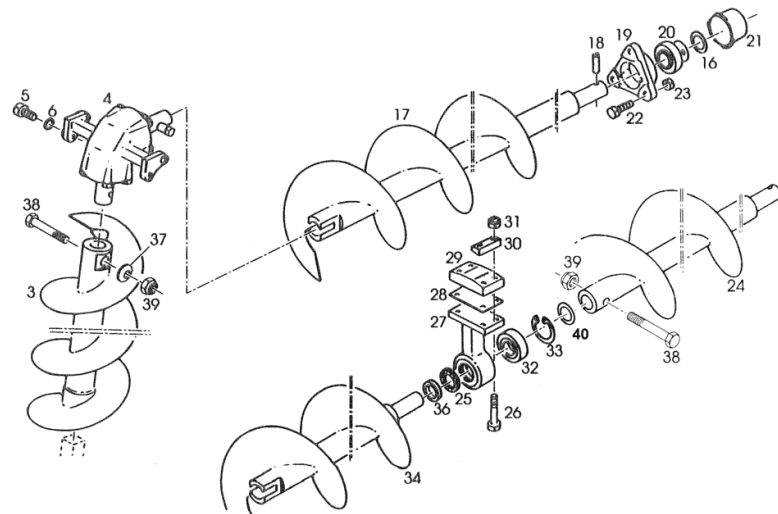
Section: GRAIN TRANSPORT ELEMENTS
GRAIN TANK UNLOADING SCREWS

Fig.	Code	QTY	Name
3	16000157	1	screw conveyor L = mm 1205 COMPLETE STANDARD EQUIPMENT
3.1	06549544	0	screw conveyor SEAPRATE STANDARD EQUIPMENT
3.2	16000156	1	screw conveyor L = mm 1205 W RICE EQUIPMENT
4	06539730	1	angle drive kpl. ☞ 06539730
5	01112407	4	screw m 10 x 20, d933
6	01102800	4	washer 10.2
16	01137526	4	shim 35 x 45 x 2,5
17	06535196	1	screw conveyor L = mm 4017 W
18	01115478	1	grain 8
18.1	01157337	1	grain
19	06515174	1	bearing housing Ø 35
20	06215743	1	bearing ge 35 krrb
21	06261841	1	cover PVC
22	01112538	3	screw m 12 x 35, d933
23	06209769	3	nut m 12, d985
24	06535805	1	screw conveyor L = mm 2277 W
24.1	06535803	1	screw conveyor
24.2	06535806	1	screw conveyor L = mm 2277 V RICE EQUIPMENT
25	06258746	1	felt band 5 x 5 x 14
26	01111313	4	screw m 10 x 55
27	06296569	1	bearing housing
28	06511081	1	shim
29	06519769	1	small block
30	06511082	2	small block
31	06209768	4	nut m 10, d985
32	01109061	1	bearing 6207 2rs
33	01107850	1	circlip 72 x 2.5
34	06535801	1	screw conveyor L = mm 2687
34.1	06535192	1	screw conveyor 280x3313 2595 MM
34.3	06535802	1	screw conveyor L = mm 2687 W RICE EQUIPMENT

5660HTS

HYDRAULIC SYSTEM

HYDRAULIC SYSTEM

WORKING HYDRAULIK SYSTEM / ENGINE.....	4D.07.1
WORKING HYDR.SYSTEM HYDRAULIC PUMP BALANCE / W S 3.....	4D.07.1
WORKING HYDRAULIK SYSTEM / ENGINE OIL COOLER.....	4D.07.2
CONTROL BLOCK S 2.....	4D.07.2
WORKING HYDRAULIK SYSTEM CONTROL VALVES.....	4D.07.3
MAIN VALVE CONTROL BLOCK S 2.....	4D.07.3
OPERATING HYDRAULICS FOR CUTTER BAR.....	4D.07.4
CONTROL BLOCK S 2.....	4D.07.4
LIFTING CYLINDER FOR CUTTER BARS.....	4D.07.5
CONTROL BLOCK S 2.....	4D.07.5
WORKING HYDR. SYSTEM FOR CUTTING TABLE REEL.....	4D.07.6
CONTROL BLOCK S 2.....	4D.07.6
OPERATING HYDRAULICS FOR GRAIN TANK PIPE.....	4D.07.7
CONTROL BLOCK S 3 / W.....	4D.07.7
MAIN HYDRAULIC STEERING.....	4D.07.8
CONTROL BLOCK S 3 / W.....	4D.07.8
MAIN HYDRAULIC STEERING.....	4D.07.9
ADJUSTMENT VALVE S 2.....	4D.07.9
WORKING HYDR.SYST.....	4D.07.10
CHANGEOVER VALVE S 2.....	4D.07.10
OPERATING HYDRAULICS FOR BALANCES / W.....	4D.07.11
CONTROL BLOCK INCLINATION HYDRAUL. SYSTEM BALANCE / W.....	4D.07.11
INCLINATION HYDRAUL. SYSTEM BALANCE / W.....	4D.07.12
LIFTING CYLINDER FOR GRAIN TANK PIPE S 2.....	4D.07.12
OPERATING HYDRAULICS FOR BALANCES / W.....	4D.07.13
HYDROSTATIC STEERING S 3.....	4D.07.13
WORKING HYDR. SYSTEM FIELD TRACKER AND BALANCE / W 5660.....	4D.07.14
HYDRAULIC CYLINDER STEERING AXLE S 3.....	4D.07.14
WORKING HYDR. SYSTEM FIELD TRACKER AND BALANCE / W.....	4D.07.15
TRAVELING SPEED REGULATION.....	4D.07.15
WORKING HYDR. SYSTEM CUTTING ANGLE ADJUSTMENT BALANCE / W.....	4D.07.16
VARIABLE PUMP ACCESSORIES.....	4D.07.16
WORKING HYDR. SYSTEM OIL COOLER BALANCE / W.....	4D.07.17
TRAVELING HYDRAULIC EQUIPMENT HPV 135 BALANCE / W.....	4D.07.17
HYDRAULIC SYSTEM OIL TANK.....	4D.07.18
TRAVELING HYDRAULIC EQUIPMENT HPV 135 STANDARD EQUIPMENT.....	4D.07.18
WORKING HYDR.SYSTEM HYDRAULIC PUMP S 3.....	4D.07.19
VARIABLE PUMP BPV 100 STANDARD EQUIPMENT HPV 105.....	4D.07.19
VARIABLE PUMP HPV 135 HPV 135.....	4D.07.20
TRAVELING HYDR.EQUIP OIL COOLER.....	4D.07.21

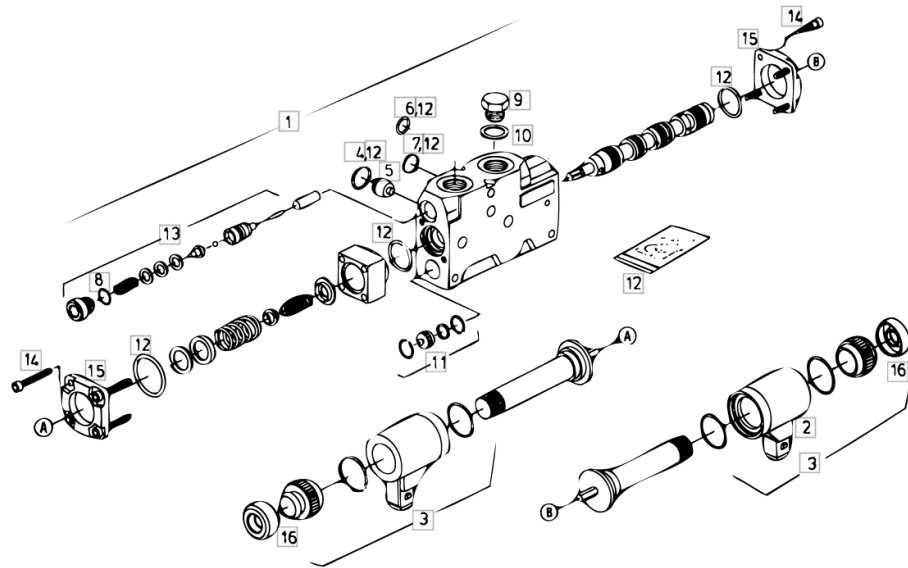
Section: HYDRAULIC SYSTEM
CONTROL BLOCK S 2


Fig.	Code	QTY	Name
1	16039225	1	electro valve REEL VERTICAL ☞ 16039225
2	16039213	2	magneto
3	16039247	2	parts set
4	04386278	1	ring 18x2,5
5	16020341	1	valve
6	16020331	1	ring 9x2,5
7	16020332	4	ring 17x2,5
8	16020346	2	ring 13x2,5
9	01288196	1	screw
10	01118713	1	washer 18.5
11	16039216	1	parts set
12	16039215	1	gasket set
13	16039217	1	parts set
14	01126909	8	screw m 4 x 8
15	04438454	2	flange
16	04438443	2	rubber

Section: HYDRAULIC SYSTEM
MAIN HYDRAULIC STEERING

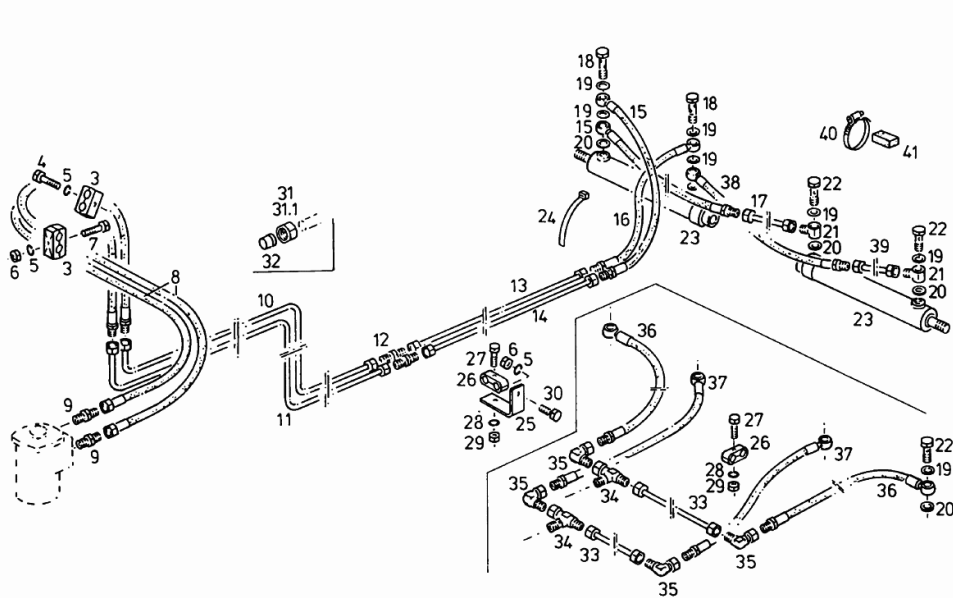


Fig.	Code	QTY	Name
------	------	-----	------

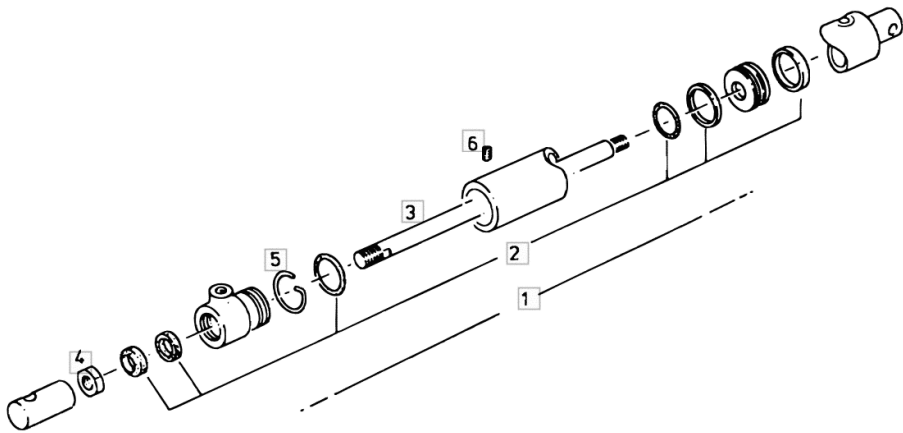
Notes:

POS.NR. 33 - 37 CONTROL -----

3	06272953	1	terminal Ø 18
4	01122441	3	screw m 8 p.1.25 x 50
5	01102799	6	washer 8, d128
6	01112824	6	nut m 8, d934
7	01137744	2	screw m 8 x 40
8	16003265	2	flexible hose
9	16048128	2	tongue
10	16004052	1	tube
11	16004055	1	tube
12	01116708	2	tongue g 12 l
13	16004064	1	tube
14	16004061	1	tube
15	06546466	2	tube Ø 10 / L = mm 1000
16	06544368	1	tube Ø 10 / L = mm 700
17	16004040	1	tube
18	01178628	2	pipe union
19	01172949	6	'o' ring 16.7
20	16034317	4	ring dka 16
21	16034306	2	pipe fitting 12-LM
22	16034312	2	pipe union m 16 p.1.5
23	06540120	2	cylinder Ø 45 B D40 06540120
24	01172065	6	clamp 4.6 x 146
25	16004097	1	bracket
26	01141605	2	terminal Ø 12/12
27	01112279	2	screw m 6 p.1 x 40
28	01102797	1	washer 6, d128
29	01112813	1	nut m 6
30	01112322	1	screw m 8 p.1.25 x 20
31	01179539	1	nut CL 12 H310
31.1	01116662	1	nut m12-s
32	01116637	1	ring
33	16006133	2	tube W
34	01179538	2	pipe fitting CL 12 S W
35	01179537	4	pipe fitting BL 12 H W
36	06546466	2	tube Ø 10 / L = mm 1000 W

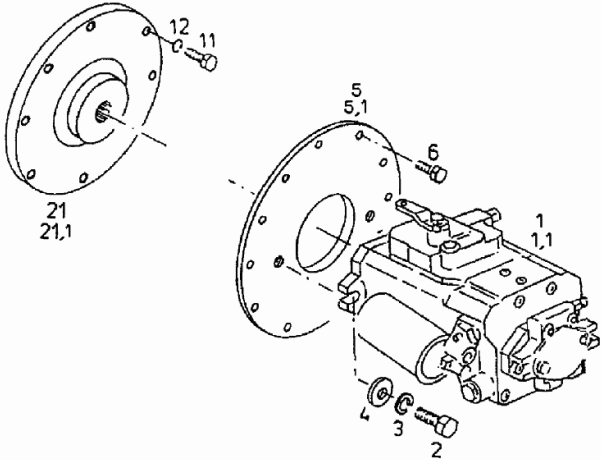
LIFTING CYLINDER FOR GRAIN TANK PIPE S 2

Fig.	Code	QTY	Name
1	06503194	1	roller Ø 45 ☞ 06503194
2	16062105	1	gasket set
3	16000597	1	piston m 18
4	01138932	1	nut m 18 p.1.5
5	16012262	1	ring
6	06208940	1	grain m 5x10



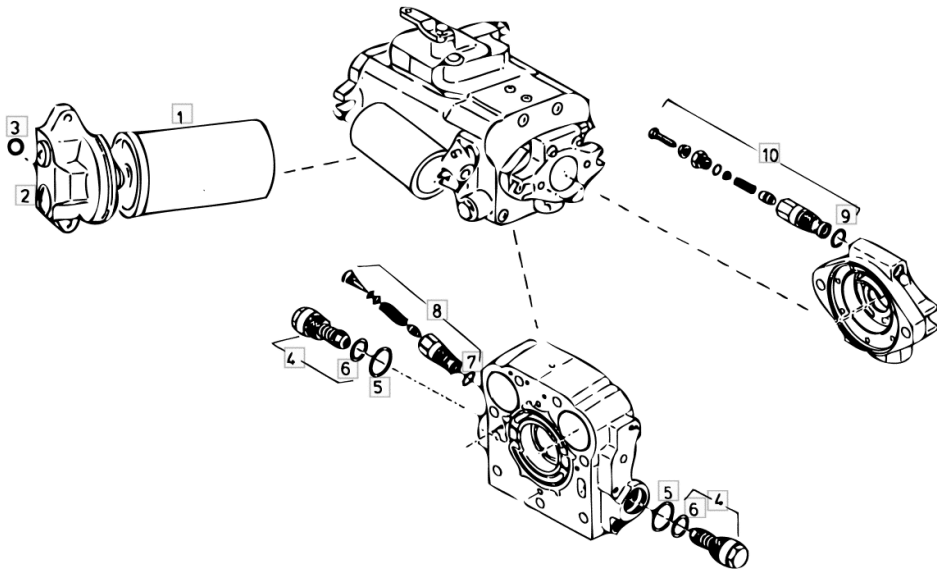
Section: HYDRAULIC SYSTEM
VARIABLE PUMP ACCESSORIES

Fig.	Code	QTY	Name
1	16062434	1	hydraulic pump HPV 105 ☞ 16062434
1.1	16025316	1	hydraulic pump HPV 135 ☞ 16025316
2	01112726	2	screw
3	01102805	2	washer 20.5
4	01107562	2	washer 21.2
5	16062225	1	flange Ø 127 / Ø 403 X 1
6	01112407	12	screw m 10 x 20, d933
11	01112439	8	screw m 10 x 35, d933
12	01102800	8	washer 10.2
21	16062216	1	flex coupling Ø 352 X 1
21.1	16058110	1	flex coupling Ø 352.3 X 1.1



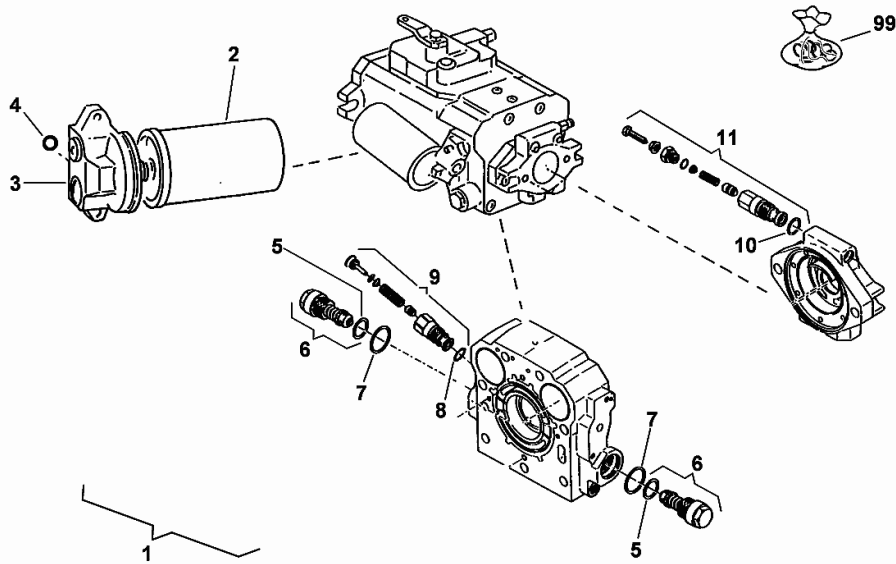
Section: HYDRAULIC SYSTEM
VARIABLE PUMP HPV 135 HPV 135

Fig.	Code	QTY	Name
1	06258593	1	filter
2	06257302	1	flange
3	06214806	1	ring 16,3x2,4 v80
4	16039203	2	valve
5	16039205	2	'o' ring 39,2x3
6	16039204	2	'o' ring 29,2x3
7	16039206	1	'o' ring 19.3x2.4
8	16039207	1	valve
9	16039209	1	'o' ring 12,3x2,4
10	16039208	1	valve



Section: HYDRAULIC SYSTEM
HYDRAULIC PUMP HPV 135

Fig.	Code	QTY	Name
1	16025316	1	hydraulic pump HPV 135
2	06258593	1	filter
3	06257302	1	flange
4	06214806	1	ring 16,3x2,4 v80
5	16039203	2	valve
6	16039205	2	'o' ring 39,2x3
7	16039204	2	'o' ring 29,2x3
8	16039206	1	'o' ring 19.3x2.4
9	16039207	1	valve
10	16039209	1	'o' ring 12,3x2,4
11	16039208	1	valve
99	16039034	1	gasket set HPV 105/135

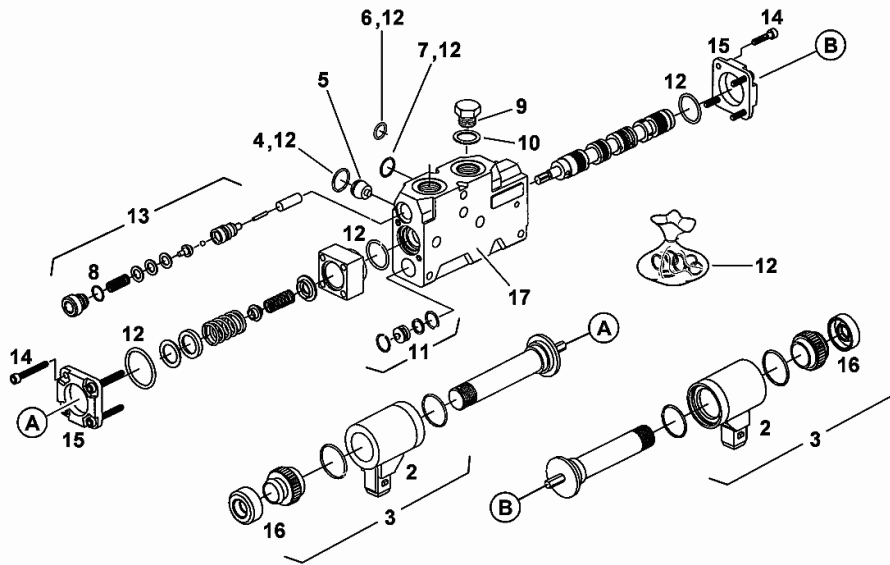


1602_5316

Section: HYDRAULIC SYSTEM
SOLENOID VALVE

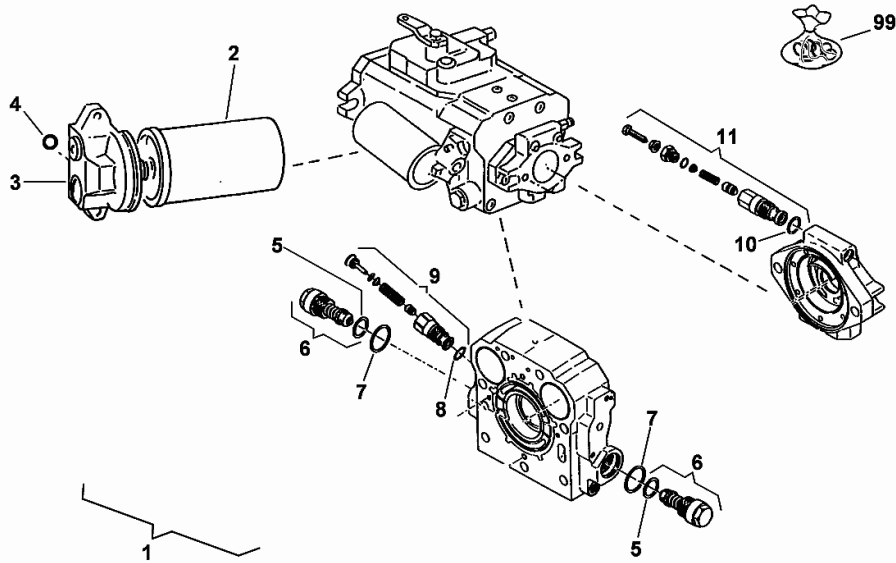
Fig.	Code	QTY	Name
2	16039218	2	magneto
3	16039219	2	parts set
4	04386278	1	ring 18x2,5
5	04418197	1	valve
6	16020331	1	ring 9x2,5
7	16020332	4	ring 17x2,5
8	16020346	2	ring 13x2,5
9	0.000.0000.1	0	not serviceable
10	0.000.0000.1	0	not serviceable
11	16039216	1	parts set
12	16039215	1	gasket set
13	16039217	1	parts set
14	01126909	8	screw m 4 x 8
15	04438454	2	flange
16	04438443	2	rubber
17	0.000.0000.1	0	not serviceable

1603_3533



Section: HYDRAULIC SYSTEM
HYDRAULIC PUMP HPV 105

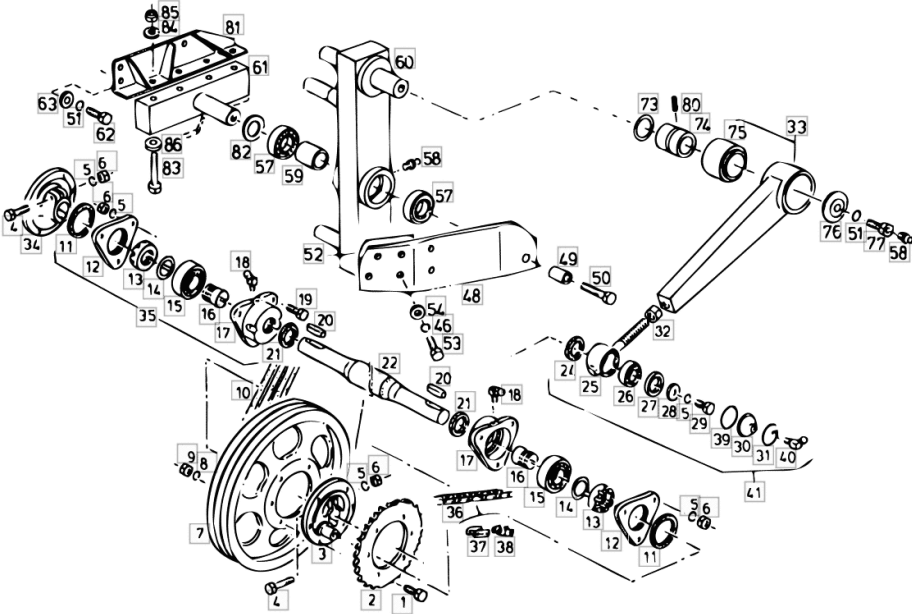
Fig.	Code	QTY	Name
1	16062434	1	hydraulic pump HPV 105
2	06258593	1	filter
3	06257302	1	flange
4	06214806	1	ring 16,3x2,4 v80
5	16039203	2	valve
6	16039205	2	'o' ring 39,2x3
7	16039204	2	'o' ring 29,2x3
8	16039206	1	'o' ring 19.3x2.4
9	16039207	1	valve
10	16039209	1	'o' ring 12,3x2,4
11	16039208	1	valve
99	16039034	1	gasket set HPV 105/135



1606_2434

Section: STRAW WALKERS
STEPPED FLOOR AND SIEVE BOX DRIVING PARTS STANDARD EQUIPMENT

Fig.	Code	QTY	Name
48.1	16039885	1	link dx/rh/re
49	16040928	2	spacer
50	01112641	2	screw m 14 x 60
51	01102801	6	washer 12
52	16042296	0	lamination mm 1.00
52.1	16042295	0	lamination mm 3.00
53	01112429	12	screw m 10 x 30, d933
54	06214197	12	washer 10.5
55	06209768	4	nut m 10, d985
57	01136765	4	ring 6207 rs d625
58	01168225	2	lubricator m 8 x 1
59	16041418	2	bushing
60	16043725	1	lever sx/lh/li
60.1	16043724	1	lever dx/rh/re
61	16038612	2	support
62	01112542	6	screw m 12 x 40
63	06214206	6	washer 13.2
73	06214515	0	shim 60 x 75 x 0,5
73.1	06214513	0	shim 60 x 75 x 0,2
74	16013091	2	bushing 45 x 59,5 x 77
75	16013085	2	bearing
76	16013106	2	washer 13 x 71 x 8
77	16013117	2	screw m 12 x 35
80	01115452	2	pin 6x24 d1481
81	NE	0	lamination
82	01137526	2	shim 35 x 45 x 2,5
83	06209115	4	screw m 12 x 120
			L
83.1	06209202	4	screw
			R
84	06214206	8	washer 13.2
85	06209778	8	nut m 12
86	16012311	4	washer 13



Section: STRAW WALKERS
BOTTOM SCREENING DRAWER

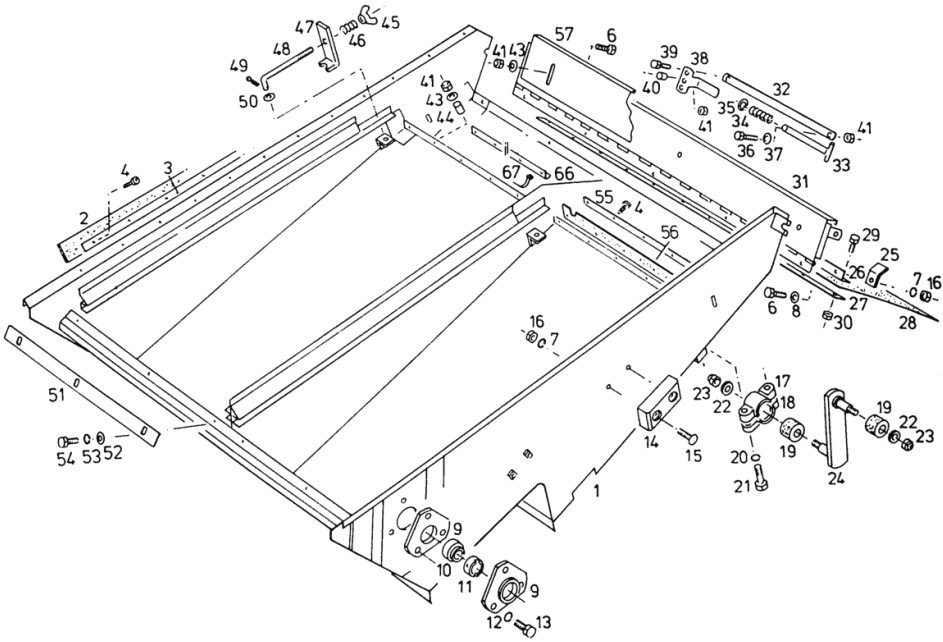
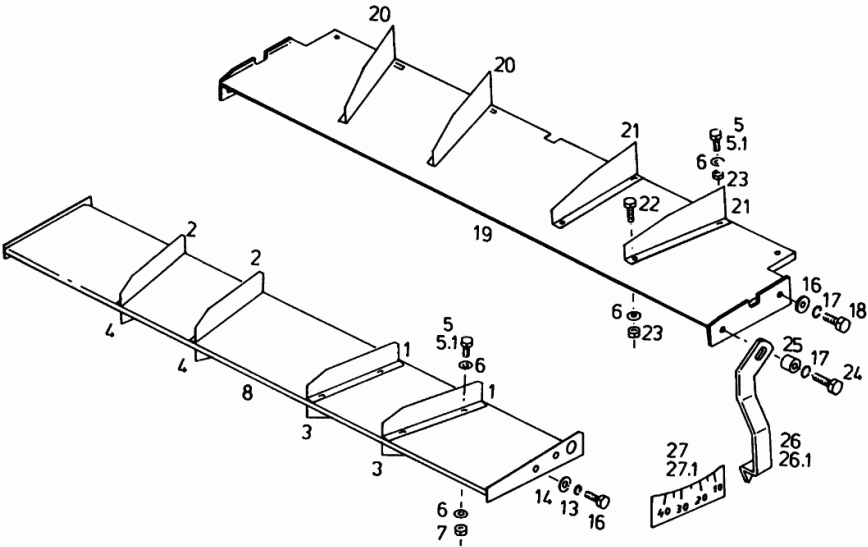


Fig.	Code	QTY	Name
1	16054013	1	large box
2	16003879	2	hood
3	16043770	2	rail
4	01127683	0	screw m 4.2x13
6	01112307	0	screw m 8 p.1.25 x 15, d933
7	01102799	0	washer 8, d128
8	01107163	0	washer 9, d126
9	16004347	4	bearing housing
10	06273886	2	bearing 30 mm
11	06302299	2	ring
12	01102800	6	washer 10.2
13	01112423	6	screw m 10x28
14	06256696	2	spacer
15	01137624	4	screw m 8 x 25
16	01112824	0	nut m 8, d934
17	06256687	2	bearing housing
18	06256684	2	bearing housing
19	06542877	4	rubber mount
20	01102800	4	washer 10.2
21	06209339	4	screw m10x65 d933
22	06214206	4	washer 13.2
23	06209769	4	nut m 12, d985
24	16050563	2	arm
25	16012432	4	support
26	16011356	1	lamination
27	16011360	1	rail L = mm 1208
28	16011358	2	rubber plate
29	01112308	10	screw
30	01104944	11	nut m 8, d985
31	16054026	1	rear panel L = mm 1223
32	06545467	2	lamination L = mm 514
33	16001056	2	pin
34	06215310	2	spring
35	01123616	2	washer 13.5
36	01123749	2	screw m 6 x 25
37	06214189	0	washer 6.4
38	16041422	1	lever
39	01112264	2	screw m 6 x 20, d933
40	06250003	1	spacer Ø 11 / Ø 20 x 16
41	01104944	5	nut m 8, d985
43	01174910	4	washer 9
44	06240422	4	spacer
45	01138390	4	wing nut m 10
46	06215373	4	spring 4x16x25

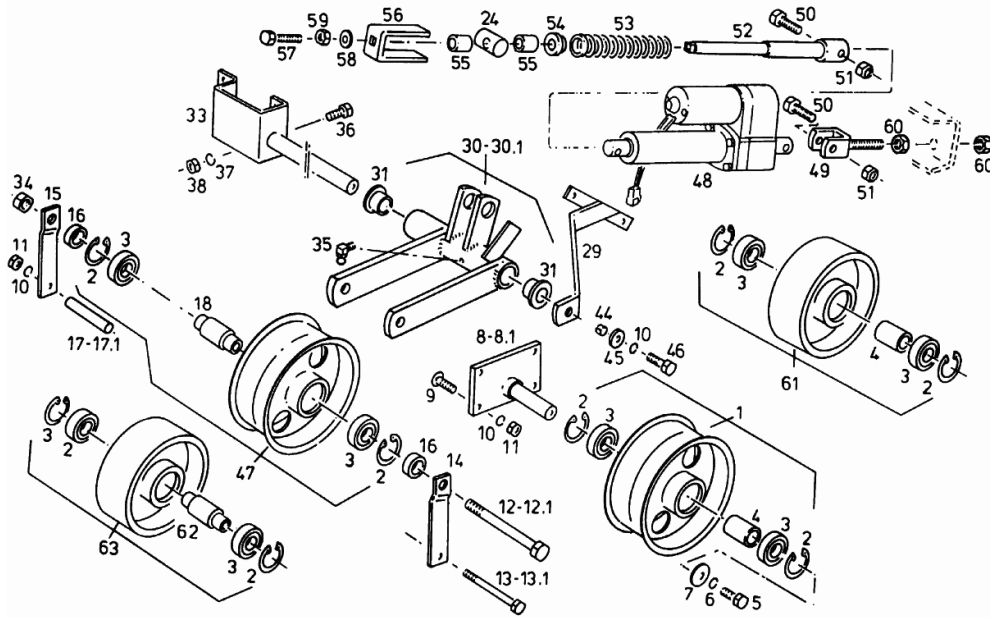
Section: STRAW WALKERS
GRAIN PAN AIR GUIDE PARTS

Fig.	Code	QTY	Name
1	16048416	2	lamination sx/lh/li
2	16048417	2	lamination dx/rh/re
3	16025510	2	lamination sx/lh/li
4	16025511	2	lamination dx/rh/re
5	01112266	4	screw m 6 x 22
5.1	01103316	4	screw m 6 p.1.0 x 16
6	01107158	0	washer 6.6, d125
7	01114357	8	nut m 6, d985
8	16022891	1	air duct
13	01102799	6	washer 8, d128
14	01107163	0	washer 9, d126
16	06214197	2	washer 10.5
17	01102800	2	washer 10.2
18	01112418	2	screw m 10 x 25, d933
19	16053735	1	baffle
20	16053734	2	lamination dx/rh/re
21	16053733	2	lamination sx/lh/li
22	01127031	4	screw m 6 x 30, d933
23	01114357	8	nut m 6, d985
24	01112445	2	screw m10x40 d933
25	06250003	2	spacer Ø 11 / Ø 20 x 16
26	16053745	1	lever sx/lh/li
27	01145964	1	stickers sx/lh/li



BEATER ASSEMBLY DRIVE TENSIONER ROLLERS

Fig.	Code	QTY	Name
57	01112456	1	screw m 10 x 50
58	06214197	1	washer 10.5
59	01102659	1	nut m 10, d934
60	01112886	2	nut m 16
61	16006237	1	tensioner 110/240
62	16005108	1	bushing
63	16005109	1	tensioner 110/240

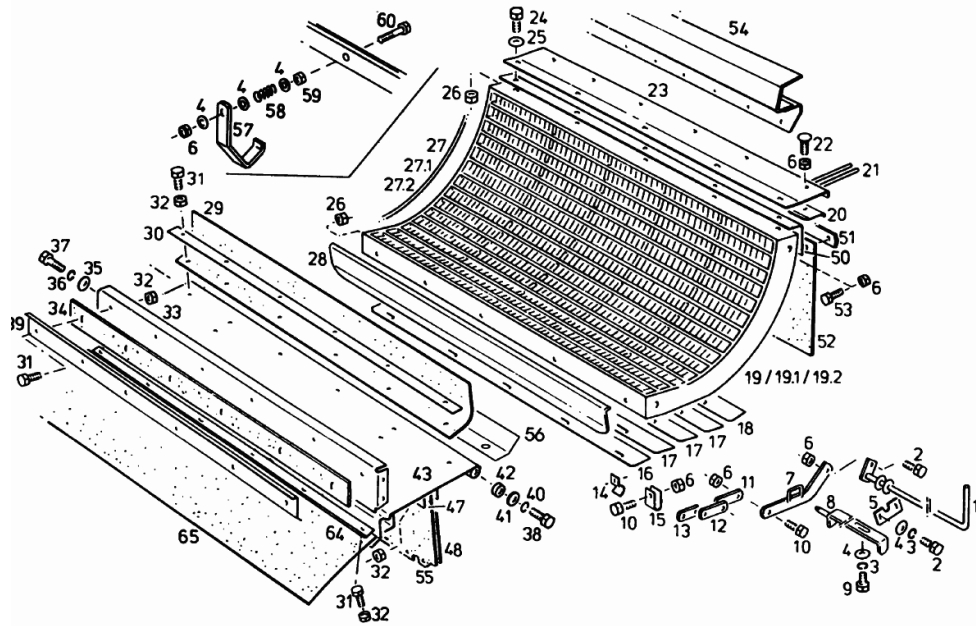


Section: THRESHING MACHINERY
CONCAVE

Fig.	Code	QTY	Name
------	------	-----	------

Notes:

POS.NR. 20 - 23 FOR MACHINES WITHOUT TURBO-SEPARATOR -----



1	16000718	1	rod
2	01112322	3	screw m 8 p.1.25 x 20
3	01102799	3	washer 8, d128
4	01107163	0	washer 9, d126
5	06531474	1	ring
6	01104944	45	nut m 8, d985
7	06531482	1	bracket
8	06545714	1	latch
9	01112307	1	screw m 8 p.1.25 x 15, d933
10	01112333	20	screw m 8 x 25, d933
11	06531485	1	link
12	06531484	1	link
13	06545726	1	link
14	06279031	6	bracket
15	06259930	18	lamination
16	06549108	1	lamination
17	06549111	3	lamination
18	06549114	1	lamination
19	06549101	1	threshing basket STANDARD EQUIPMENT
19.1	06549099	1	threshing basket W FOR HARD WHEAT
19.2	06549103	1	threshing basket V (DK,N,S VARIANTE EXPORTATION
20	06545710	1	lamination
21	06542900	21	rake M 5650
22	01137624	8	screw m 8 x 25
23.1	16013767	1	lamination M 5650
24	01112418	6	screw m 10 x 25, d933
25	01107165	6	washer 10.5
26	06209768	12	nut m 10, d985
27	06529467	98	wire X 19
28	06549105	1	lamination
29	06549340	1	guard
30	06549341	1	lamination
31	01112322	14	screw m 8 p.1.25 x 20

CLICK HERE TO **DOWNLOAD** THE COMPLETE MANUAL

- Thank you very much for reading the preview of the manual.
- You can download the complete manual from: www.heydownloads.com by clicking the link below



- Please note: If there is no response to CLICKING the link, please download this PDF first and then click on it.

CLICK HERE TO **DOWNLOAD** THE COMPLETE MANUAL