

# 5565H

## Belts

### GENERAL

BELTS LH.....	5B.00.1
BELTS RH.....	5B.00.2
BELTS TS RH.....	5B.00.3
BELTS TS LH.....	5B.00.4

CLICK HERE TO **DOWNLOAD** THE COMPLETE MANUAL

- Thank you very much for reading the preview of the manual.
- You can download the complete manual from: [www.heydownloads.com](http://www.heydownloads.com) by clicking the link below



- Please note: If there is no response to CLICKING the link, please download this PDF first and then click on it.

CLICK HERE TO **DOWNLOAD** THE COMPLETE MANUAL

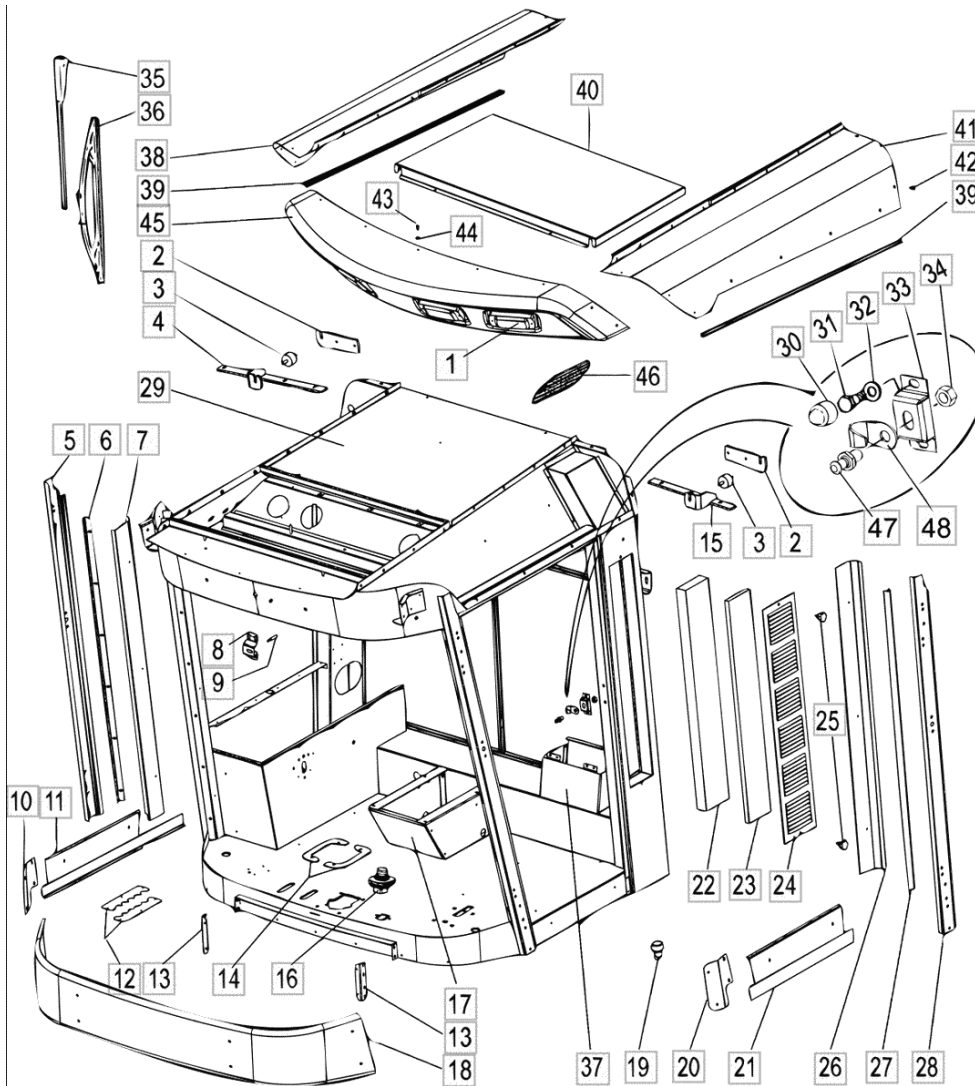
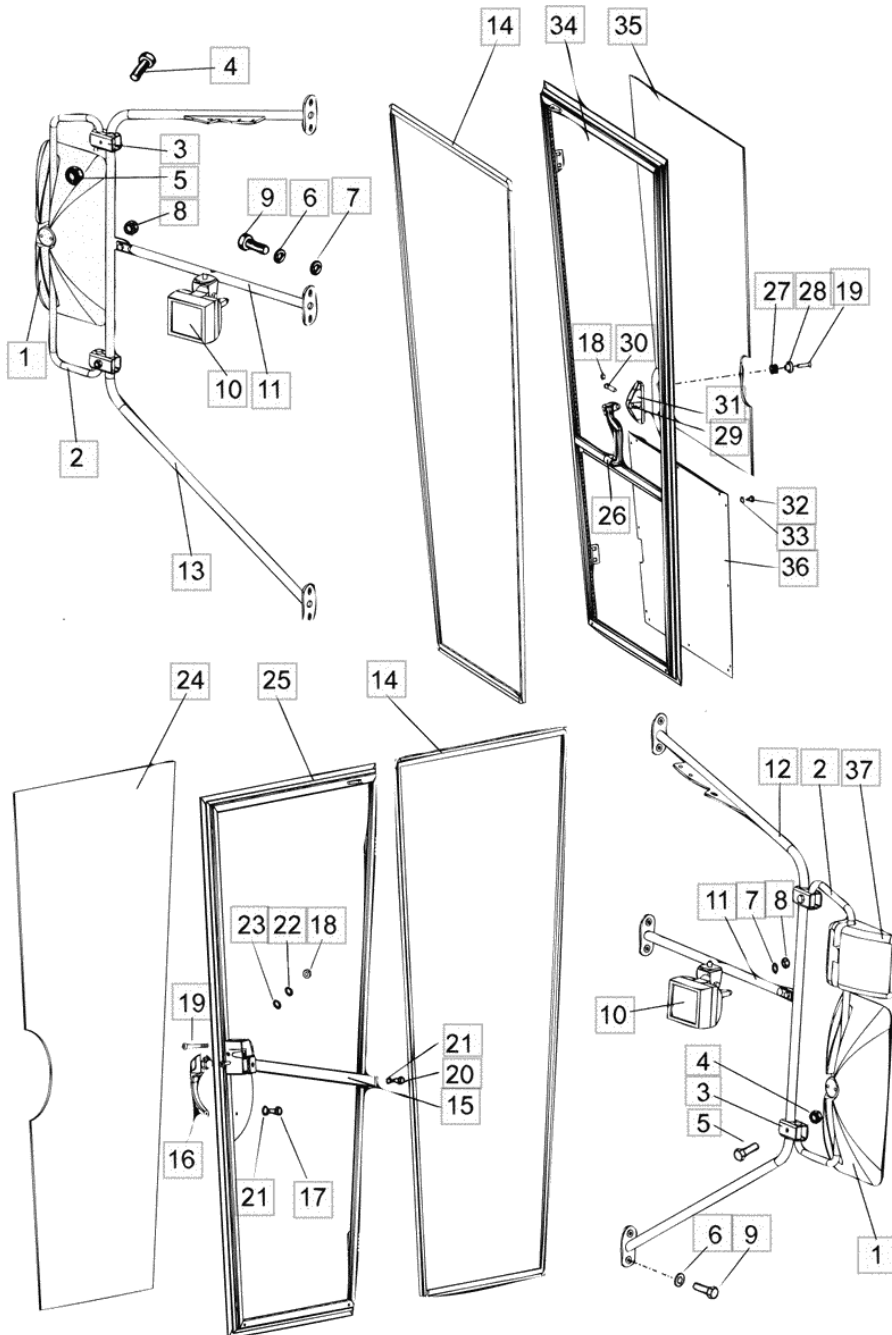
**CABIN DL**

Fig.	Code	QTY	Name
1	8080026	4	headlight
2	R699304	2	rail
3	0633875	2	insulator
4	R697391	1	support dx/rh/re
5	R699310	1	plate dx/rh/re
6	R699017	1	rail
7	R699015	1	rail
8	R699050	1	clamp
9	R699101	1	pin
10	R699024	1	support
11	R699028	1	plate dx/rh/re
12	R699325	2	plate
13	R699021	2	support
14	R699614	2	plate
15	R697389	1	support sx/lh/li
16	8031971	1	clutch assy
17	R699007	1	support
18	0633889	1	plate
19	0493727	1	valve
20	R699023	1	clamp
21	R699309	1	plate
22	0492348	1	air filter
23	R698719	1	filter
24	R698716	1	cover
25	0871053	2	knob
26	R699014	1	rail
27	R699016	1	rail
28	R698369	1	plate
29	R698302	1	cab
30	0839201	2	plug
31	6220867	2	screw
32	7400032	2	washer
33	R699020	1	support
34	6548514	1	nut
35	0498858	1	arm
36	0498859	1	wiper blade
37	R699044	1	support
38	R698337	1	guard dx/rh/re
39	R699331	1	rail
40	R698338	1	door
41	R698336	1	guard sx/lh/li
42	6028081	28	screw
43	7268107	5	plate
44	7414384	5	washer

Section: Cab and control units  
**DOORS, LIGHT ARMS, DL**

Fig.	Code	QTY	Name
1	0498810	2	mirror  -> 660094
1	0498801	4	mirror ->  660093
2	R699834	2	rod
3	R688048	4	support
4	6594148	4	nut
5	6227577	4	screw
6	7414469	12	washer
7	7400032	14	washer
8	6594038	2	nut
9	6221260	14	screw
10	8500435	2	headlight
11	R699135	2	support
12	R699118	1	support sx/lh/li
13	R699119	1	support dx/rh/re
14	0450343	2	sealing
15	0871016	1	lock
16	0871046	1	handle
17	6210667	1	screw
18	6506234	4	nut
19	7040626	4	screw
20	7268607	1	block
21	7400030	2	washer
22	7400032	2	washer
23	7414469	2	washer
24	0868281	1	glass sx/lh/li
25	R698739	1	door sx/lh/li
26	0871063	1	handle
27	0871064	2	flange
28	0871065	2	spacer
29	0871066	1	circlip
30	0871067	1	pin
31	0871068	1	support
32	7266208	12	block
33	7400029	12	washer
34	R698740	1	door dx/rh/re
35	0868282	1	glass dx/rh/re
36	R699003	1	plate dx/rh/re
37	0498811	1	mirror  -> 660094



Section: Cab and control units

**FAN AND AIR HEATER**

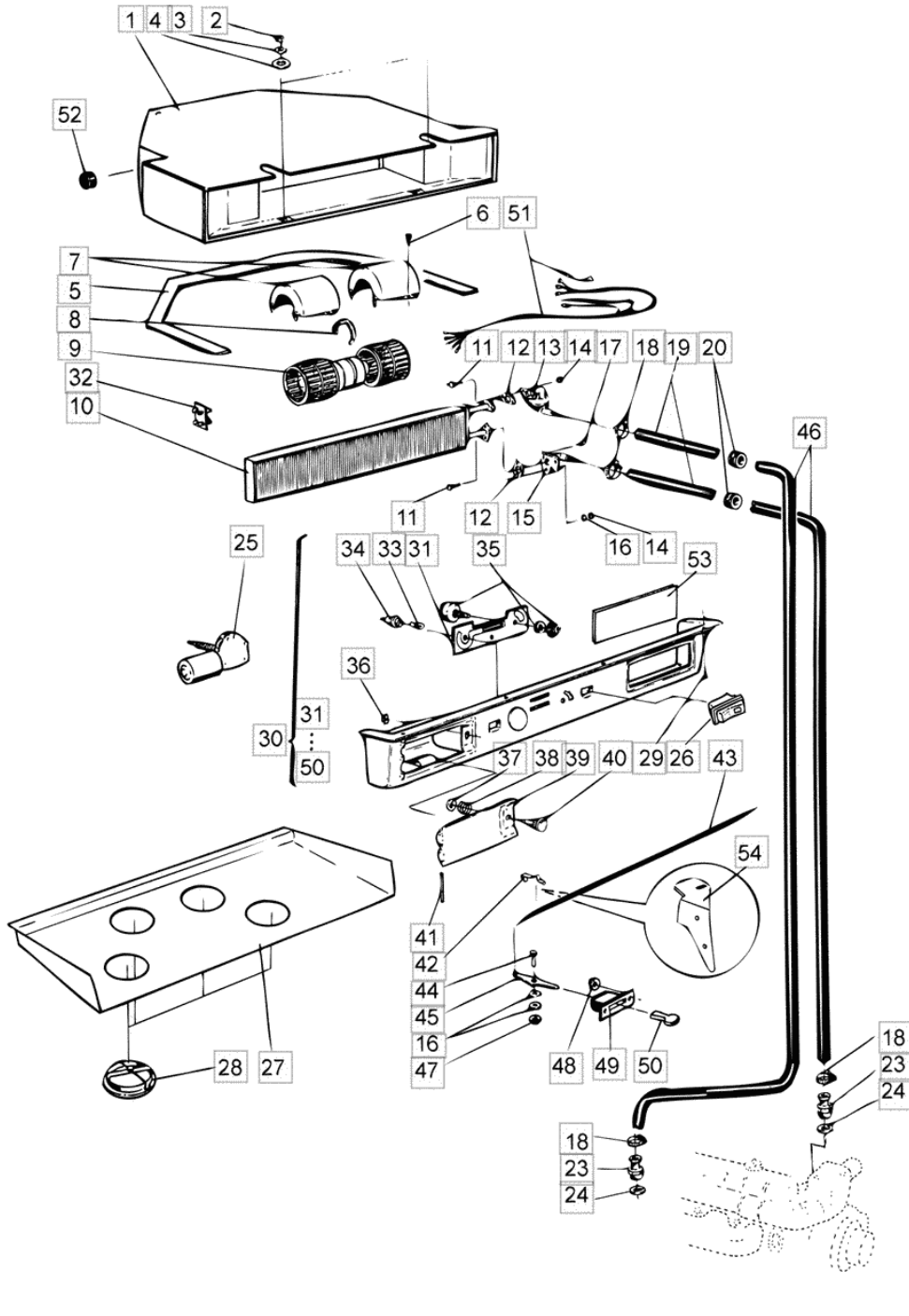
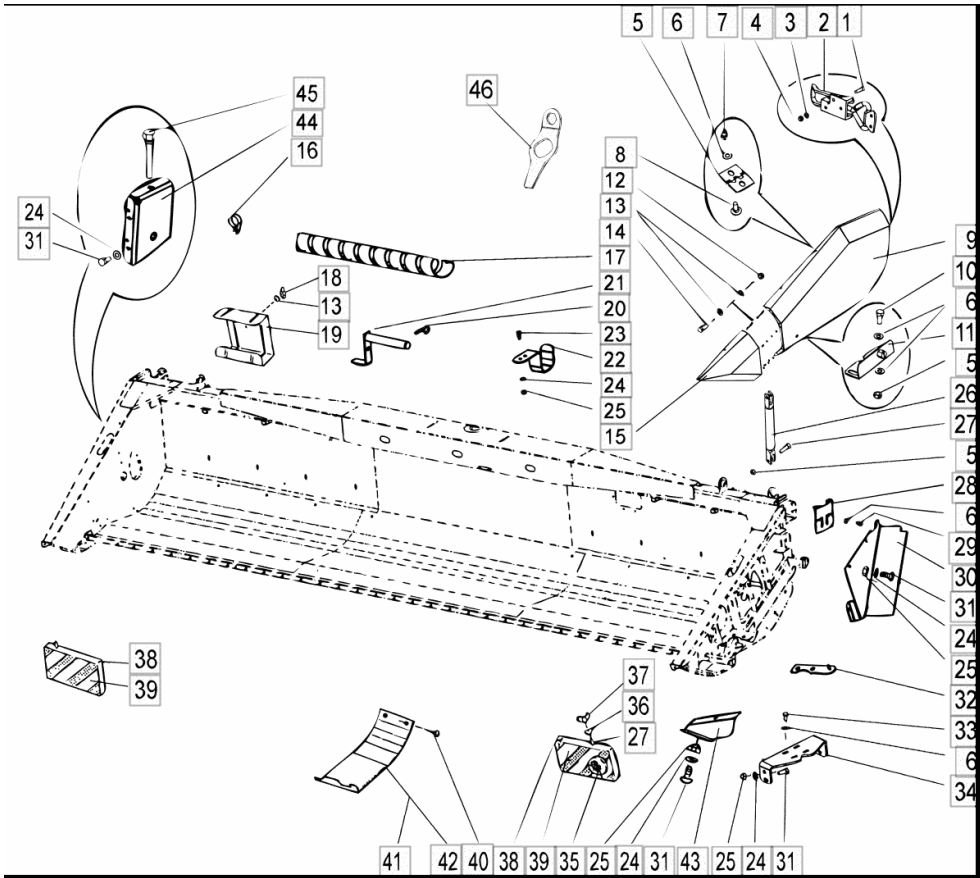


Fig.	Code	QTY	Name
1	0492437	1	fan
2	6593838	2	nut
3	7400032	2	washer
4	0492859	2	shoch.absorber
5	0492858	1	sealing
6	0492860	2	screw
7	0492857	2	guard
8	0492856	1	clamp
9	0492855	1	rotor blade
10	0492850	1	radiator
11	6206827	4	screw
12	0492852	2	sealing
13	0492851	1	pipe fitting
14	6505814	4	nut
15	0492853	1	pipe fitting
16	7400029	8	washer
17	0492854	2	screw
18	0629044	8	clamp
19	R699704	2	tube
20	0633671	2	rubber
21	R580417	2	bushing
22	0620221	2	tube
23	R643249	2	pipe fitting
24	0639658	2	sealing
25	0498861	1	new engine >100 kw  -> 555320
25	0498891	1	electric motor
26	8095736	1	switch ->  555319
26	8500620	1	switch  -> 555320 STD
26	8095729	1	switch  -> 555320 DL
27	R685255	1	plate
28	0492439	6	blower
29	7266308	4	block
30	0492438	1	panel
31	0492865	1	plate
32	0492863	1	resistance
33	0492862	1	headlight
34	0492861	1	support
35	0492864	1	switch
36	0492866	1	cam
37	0492867	1	plate

Section: Cutting table and feeding elevator  
**CUTTING TABLE'S COMMON PARTS**

Fig.	Code	QTY	Name
45	R697446	1	screw
46	R699482	1	workshop tool



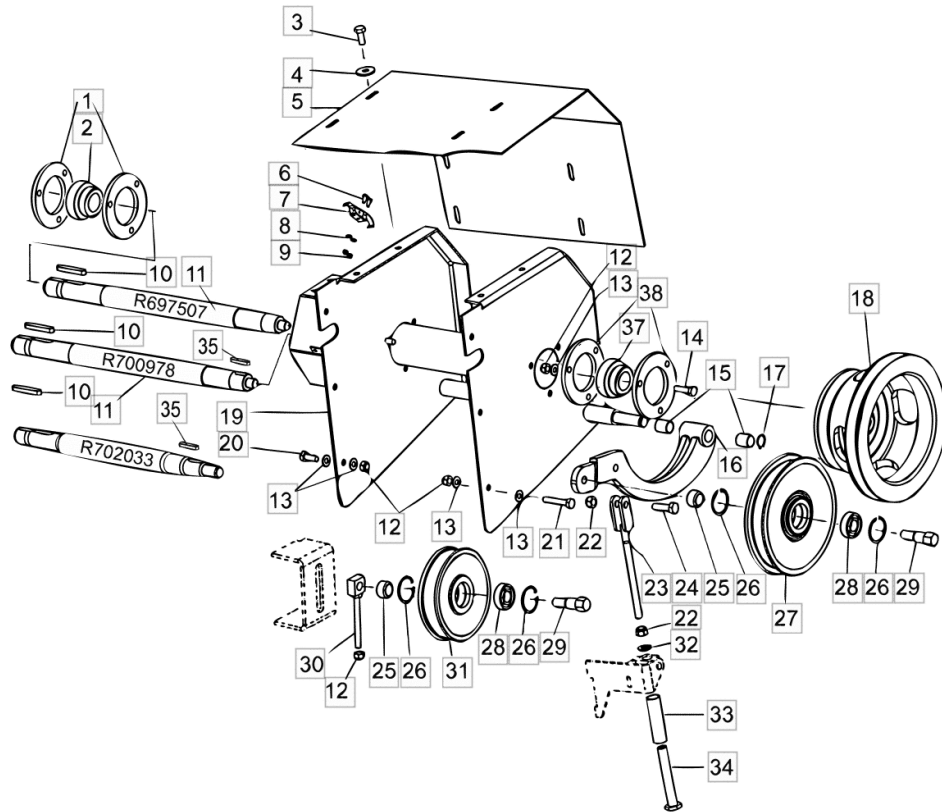
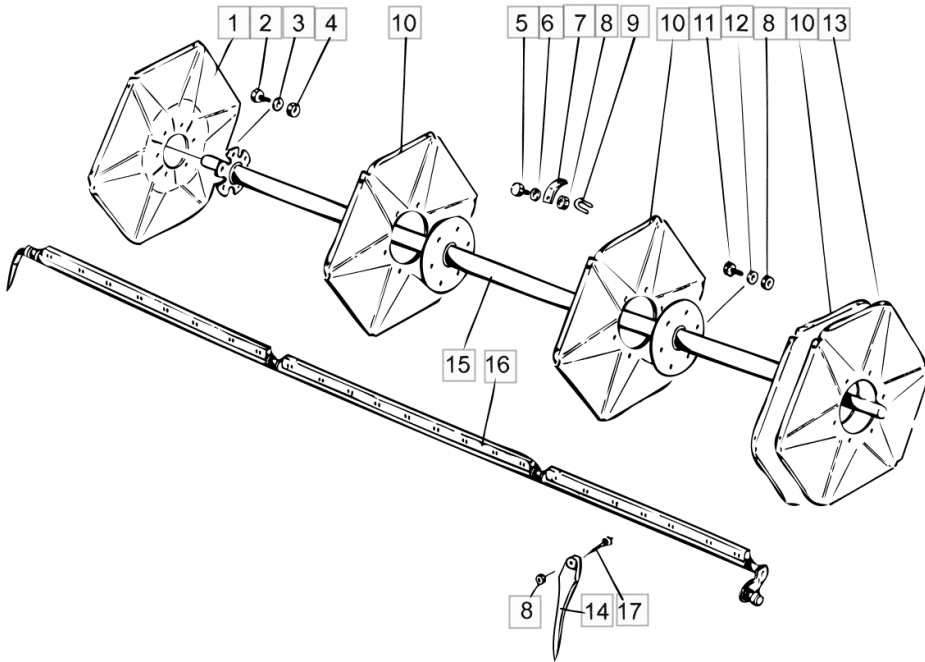
Section: Cutting table and feeding elevator  
**CUTTING TABLE'S DRIVESHAFT**


Fig.	Code	QTY	Name
1	R695673	2	flange
2	0511363	1	bearing
3	6221267	8	screw
4	7414057	8	washer
5	R697714	1	cover
6	6164714	2	screw
7	0871033	1	latch
8	7400029	2	washer
9	6593738	2	nut
10	7716128	1	dowel
11	R697507	1	shaft
11	R700978	1	->  ZP05717 shaft
11	R702033	1	-> ZP05718 shaft
12	6594148	6	nut
13	7400033	6	washer
14	6226767	3	screw
14	6227377	3	->  ZP05717 screw
14	6222677	0	-> ZP06217 screw
15	0552076	2	bushing
16	R697513	1	arm
17	7815017	1	circlip
18	R696682	1	pulley
18	R700981	1	->  ZP05717 pulley
18	R700981	1	-> ZP05718 pulley
19	R697502	1	plate
20	6226367	3	screw
21	6227567	3	screw
22	6594238	1	nut
23	R663251	1	stay
24	6231767	1	screw
25	R697511	1	bushing
26	7815238	2	circlip
27	0660007	1	tensioner
28	0502364	1	bearing
29	R596052	2	pin
30	R652449	1	stay
31	0660016	1	tensioner

Section: Cutting table and feeding elevator  
**PICK-UP REEL 4,5M**

Fig.	Code	QTY	Name
1	R683121	1	disc
2	6220867	12	screw
3	7400032	6	washer
4	6594038	6	nut
5	6211067	60	screw
6	7400030	60	washer
7	R672223	30	angular
8	6593838	258	nut
9	R672224	30	clamp
10	R678094	3	disc
11	6210667	18	screw
12	7414055	18	washer
13	R678095	1	disc
14	0633837	186	spring
15	R698661	1	shaft
16	R698647	6	shaft
17	6754314	186	screw



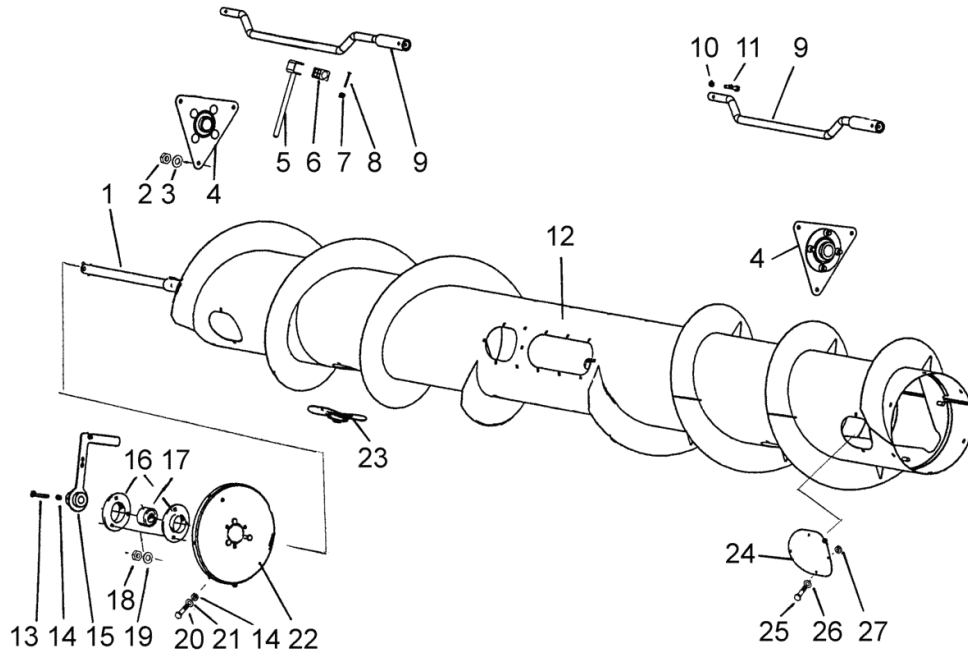
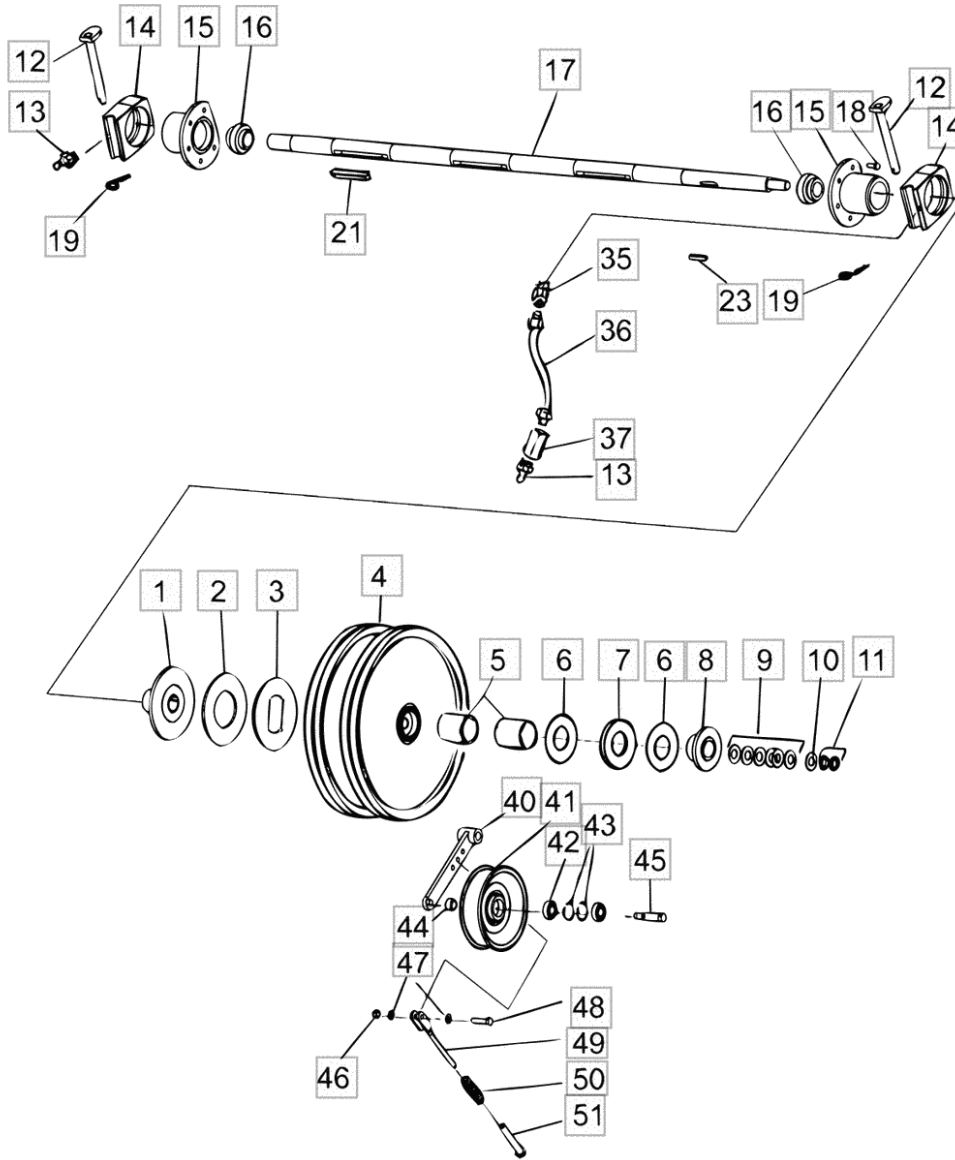
Section: Cutting table and feeding elevator  
**FEEDER AUGER 5,1M**


Fig.	Code	QTY	Name
1	R698528	1	shaft
2	6506631	6	nut
3	7400034	6	washer
4	R698292	2	bearing
5	R698288	2	pin
6	0552091	2	bearing
7	6593738	2	nut
8	6754744	2	screw
9	R698457	2	shaft
10	6594148	2	nut
11	6227377	2	screw
12	R698516	1	box
13	6223077	1	screw
14	6594038	13	nut
15	R697675	1	lever
16	0569322	2	bearing housing
17	0511223	1	roller bearing
18	6594148	3	nut
19	7400033	3	washer
20	6220867	12	screw
21	7400032	12	washer
22	R698295	1	flange
23	R698496	2	door
24	R698546	4	small cover
25	6210667	24	screw
26	7414465	24	washer
27	6561414	24	nut

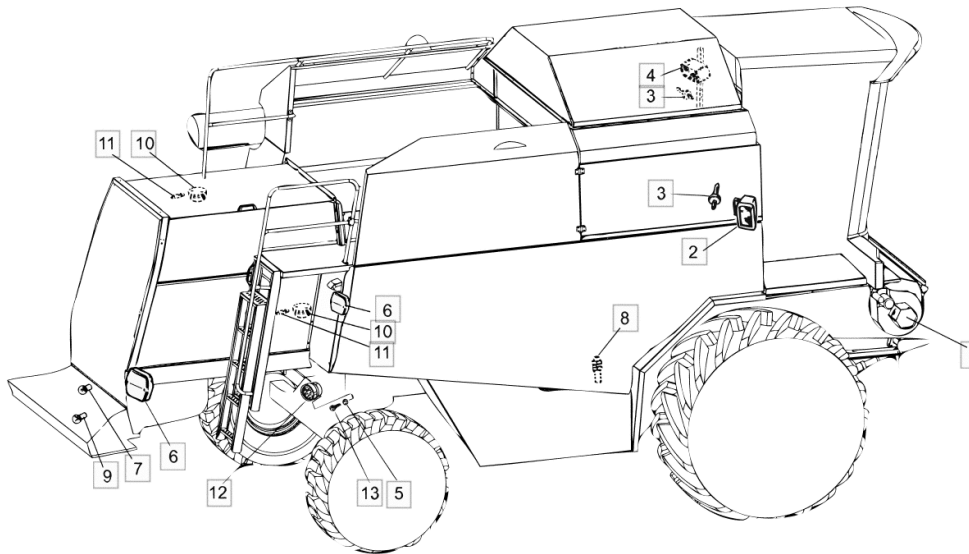
Section: Cutting table and feeding elevator  
**UPPER SHAFTS OF CROP ELEVATOR**

Fig.	Code	QTY	Name
1	R696811	1	plate
2	0609970	1	disc
3	R696809	1	plate
4	0660060	1	pulley
5	0553040	1	bearing
6	0554122	1	plate
7	0554119	1	bearing
8	R696810	1	plate
9	0410175	6	disc kit
10	0562027	1	washer
11	0563006	2	nut
12	R696832	2	pin
13	0252420	2	lubricator
14	R696830	2	box
15	R696343	2	box
16	0511228	2	bearing
17	R696678	1	shaft
18	6226367	10	screw
19	7812420	2	pin
21	7717171	3	key
23	7716135	1	key
35	0252510	1	lubricator
36	0257024	1	tube
37	R655510	1	tongue
40	R697875	1	arm
41	0660006	1	wheel
42	0502364	2	bearing
43	7815238	2	circlip
44	R697511	1	bushing
45	R697457	1	pin
46	6594238	1	nut
47	7400035	2	washer
48	6231767	1	screw
49	R663251	1	stay
50	R698813	1	spring
51	R663254	1	bushing



**ELECTRICAL EQ RH**

Fig.	Code	QTY	Name
1	8031921	1	electric motor
2	8080024	1	headlight
3	8035083	2	headlight
4	8080025	1	headlight
5	7414255	2	spring washer
6	8070021	4	side lamp For Germany
6	8070022	4	side lamp
7	8035134	4	headlight
8	8500400	1	level indicator
9	8035133	4	headlight
10	8080035	2	light
11	8035127	2	headlight
12	8055560	1	socket
13	7268607	2	block



Section: ENGINE  
**ENGINE 175 66 ET**

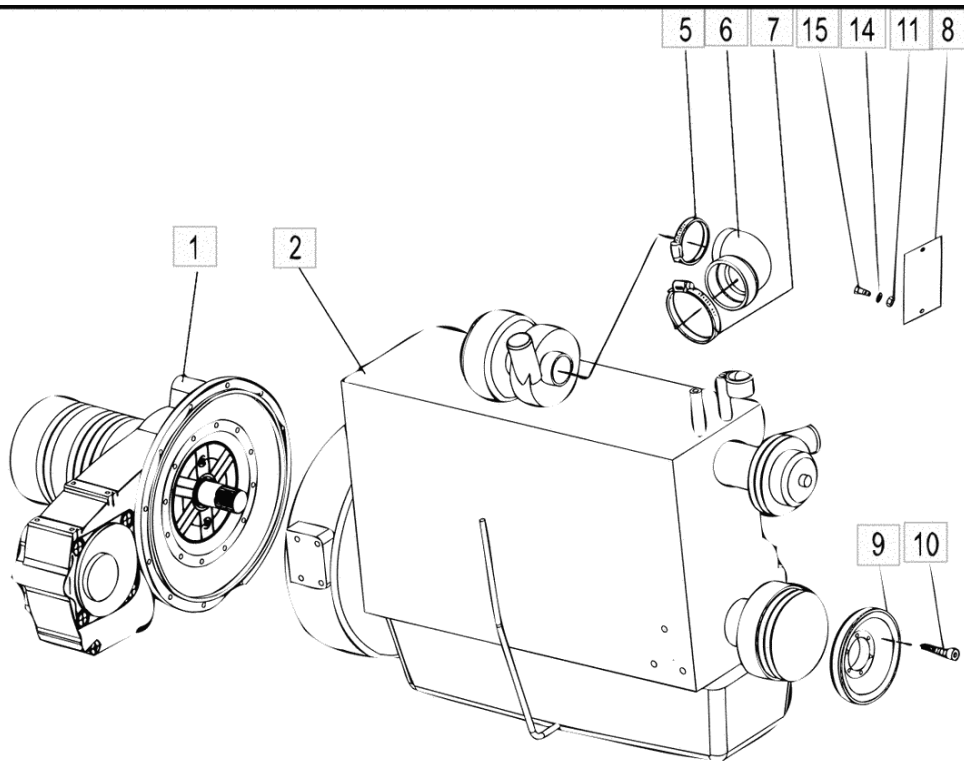


Fig.	Code	QTY	Name
1	0424352	1	gears
2	0493780	1	new engine >100 kw
5	0629069	1	clamp
6	0621113	1	tube
7	0629072	1	clamp
8	R698399	1	plate
9	R694540	1	pulley
10	7002523	6	screw
11	6593838	3	nut
14	7400030	2	washer
15	6210667	2	screw

Section: ENGINE  
**INTAKE AND EXHAUST**

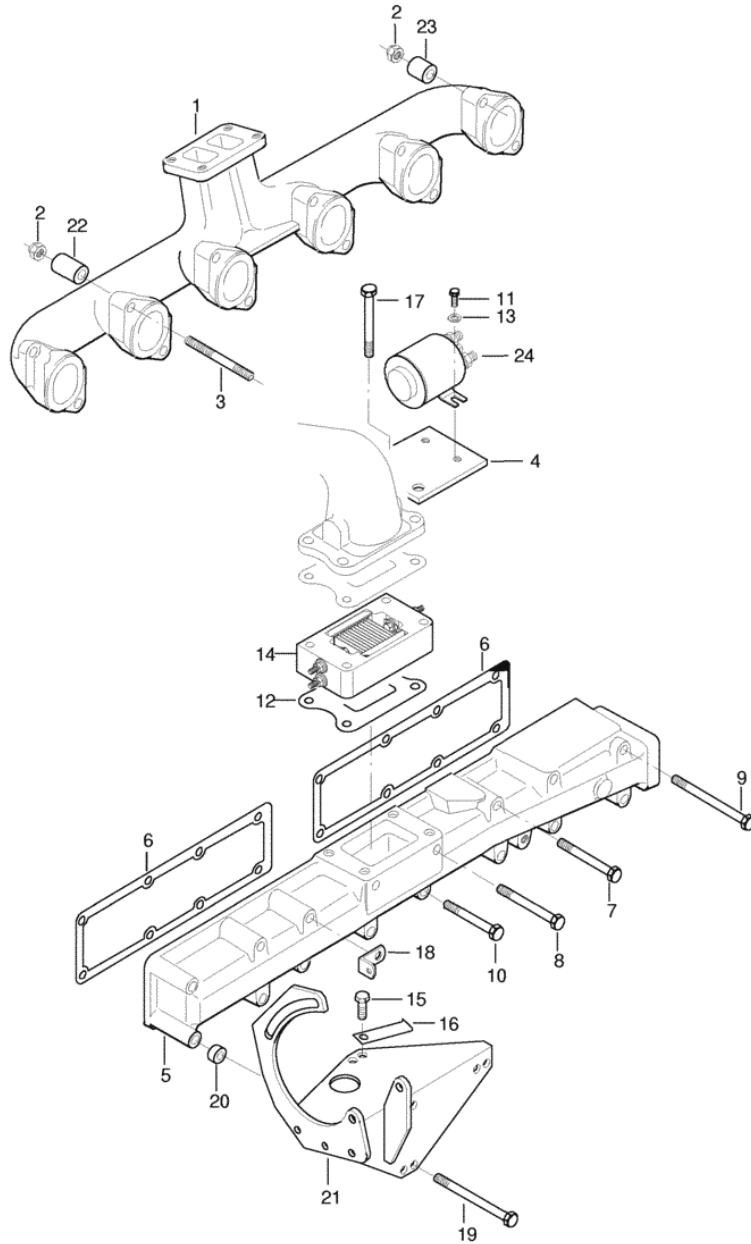
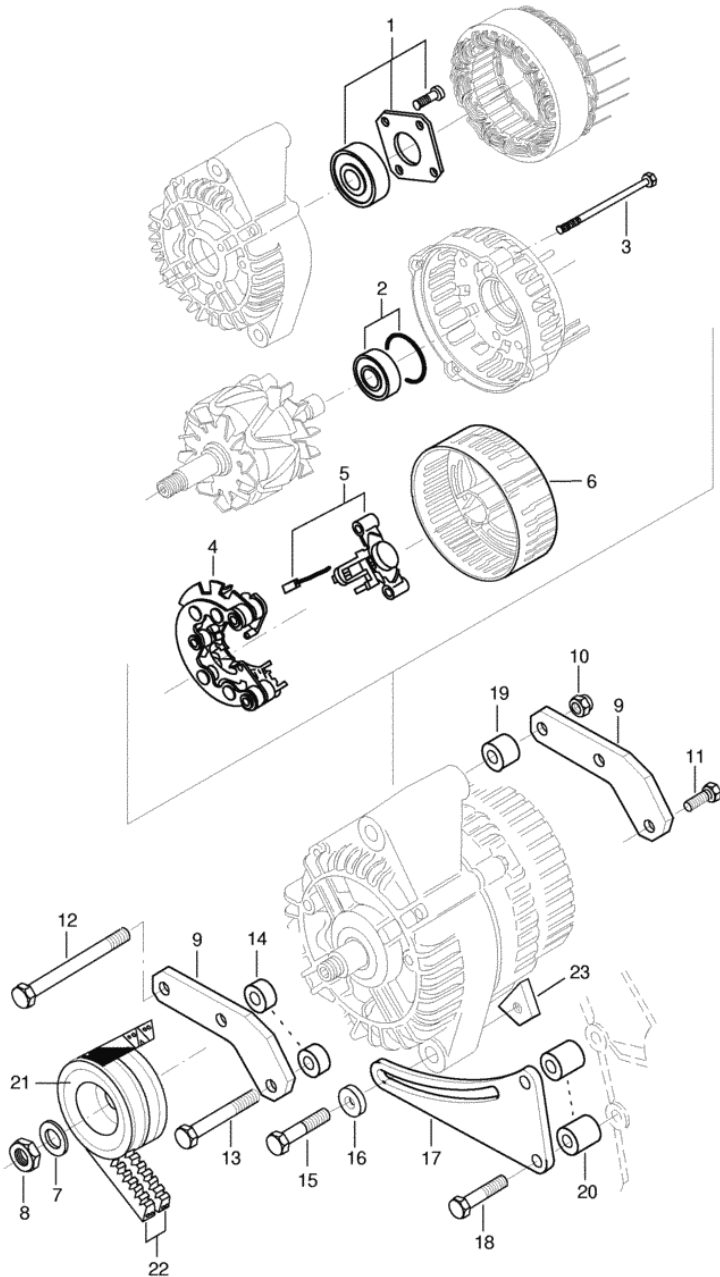


Fig.	Code	QTY	Name
1	836864007	1	exhaust manifold
2	513601002	12	nut
3	836859188	12	stud bolt
4	836866699	1	bracket
5	836847493	1	primer
6	836847496	2	gasket
7	529801510	5	screw
8	529801530	4	screw
9	529801562	2	screw
10	529801470	2	screw
11	528800760	2	screw
12	836847532	1	gasket
13	500150532	2	washer
14	836864398	1	heater
15	528801400	1	screw
16	836083428	4	support
17	529801490	2	screw
18	836659276	1	support
19	529801550	3	screw
20	836117352	3	shim
21	836847014	1	bracket
22	836664013	10	plate
23	836664012	2	plate
24	836666759	1	valve

Section: ENGINE  
**ALTERNATOR**

Fig.	Code	QTY	Name
0	836666721	1	alternator
1	836662426	1	bearing
2	836640961	1	bearing
3	836640962	4	screw
4	836662449	1	rectifier
5	836662450	1	regulator
6	836662343	1	cover
7	500151702	1	washer
8	505611602	1	nut
			M16
9	836855817	2	bracket
10	510600802	3	nut
			M8
11	528801380	1	screw
			M8X20
12	529801570	2	screw
			M8X120
13	529801500	1	screw
			M8X75
14	836119067	2	shim
15	529801440	1	screw
			M8X45
16	836120989	1	washer
17	836855816	1	axle
18	528801420	2	screw
			M8X35
19	836117352	1	shim
20	836119296	2	shim
21	836866227	1	pulley
22	684121400	2	belt
23	836659049	1	support



## Section: ENGINE

## FLYWHEEL

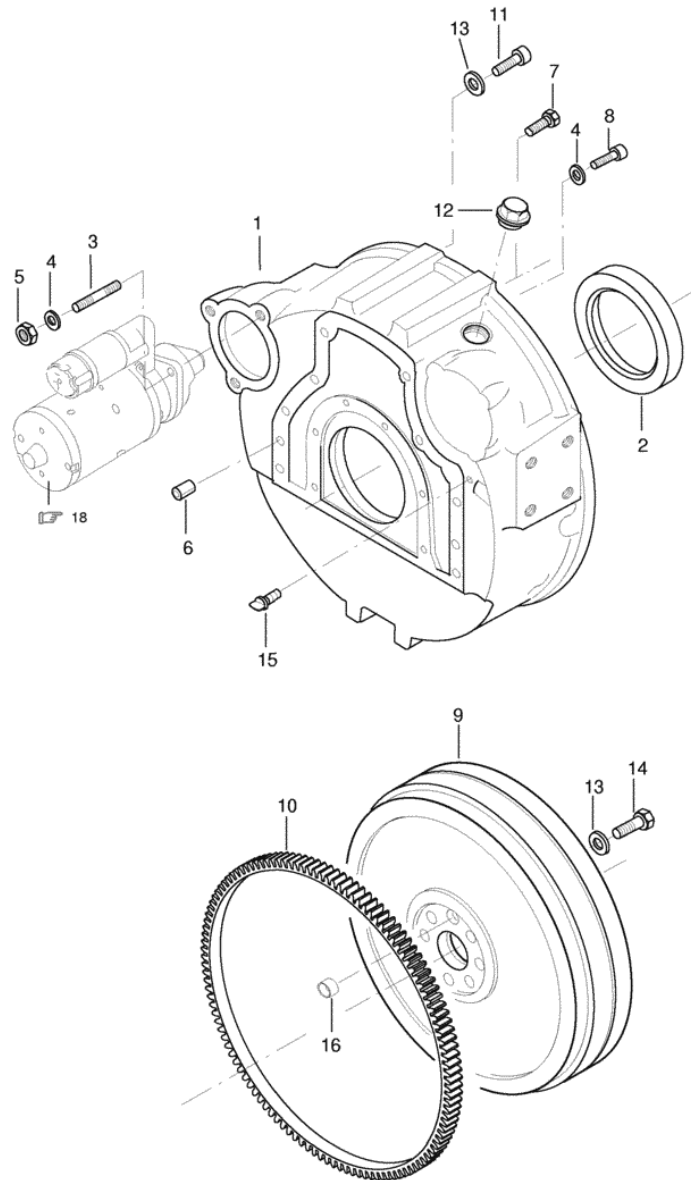


Fig.	Code	QTY	Name
1	836847442	1	body USE
2	614500002	1	oil seal S2
3	546801800	3	stud bolt M10X25
4	500951000	6	washer
5	504601000	3	nut M10
6	598359850	2	pin
7	528902220	6	screw M12X35
8	581705030	6	screw M10X30
9	836864493	1	flywheel rim
10	836117943	1	rim
11	581705440	2	screw M12X35
12	640045126	1	plug
13	500951200	9	washer
14	528702230	8	screw 160 NM
15	836859311	1	plug
16	836659527	1	bushing

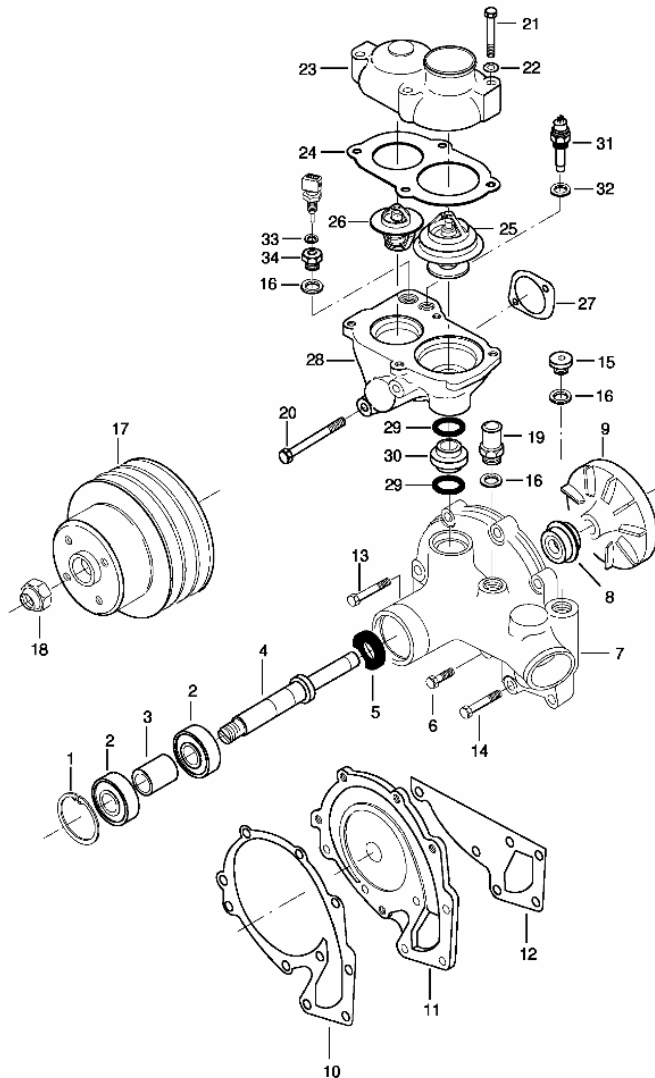
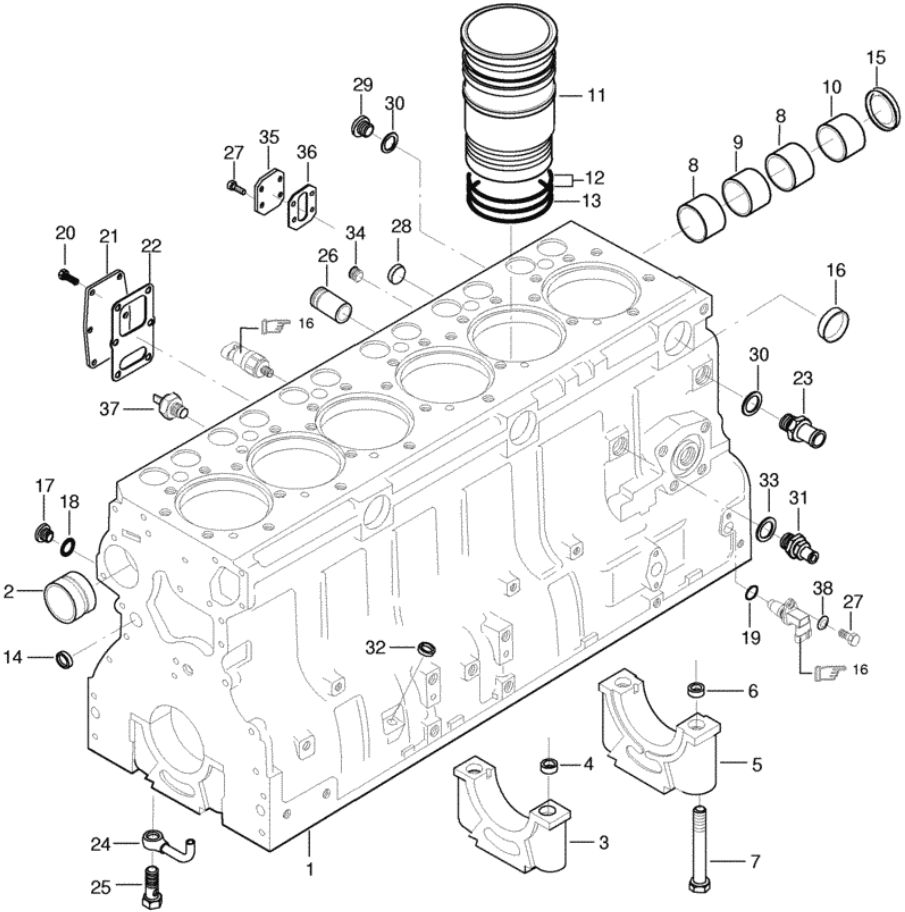
Section: ENGINE  
**COOLING SYSTEM**


Fig.	Code	QTY	Name
0	836864481	1	water pump
1	617330052	1	circlip K
2	610063044	2	bearing K
3	836119270	1	bushing
4	836847467	1	shaft
5	614102636	1	oil seal K
6	529801420	5	screw M8X35
7	0.000.0000.1	1	not serviceable
8	835339425	1	'o' ring K
9	836846303	1	rotor blade
10	836864471	1	gasket "K,S2"
11	836864472	1	plate
12	836846305	1	gasket "K,S2"
13	529801460	3	screw M8X55
14	529801440	2	screw M8X45
15	640325018	1	plug
16	615881822	3	'o' ring S2
17	836855063	1	pulley
18	510611602	1	nut "K,M16"
19	836119837	1	power control 16MM
20	529801550	2	screw M8X100
21	529801450	4	screw M8X50
22	500950800	4	washer
23	836329631	1	cover
24	836329632	1	gasket S1
25	836331590	1	thermostat 83? C
26	836015156	1	thermostat 79? C

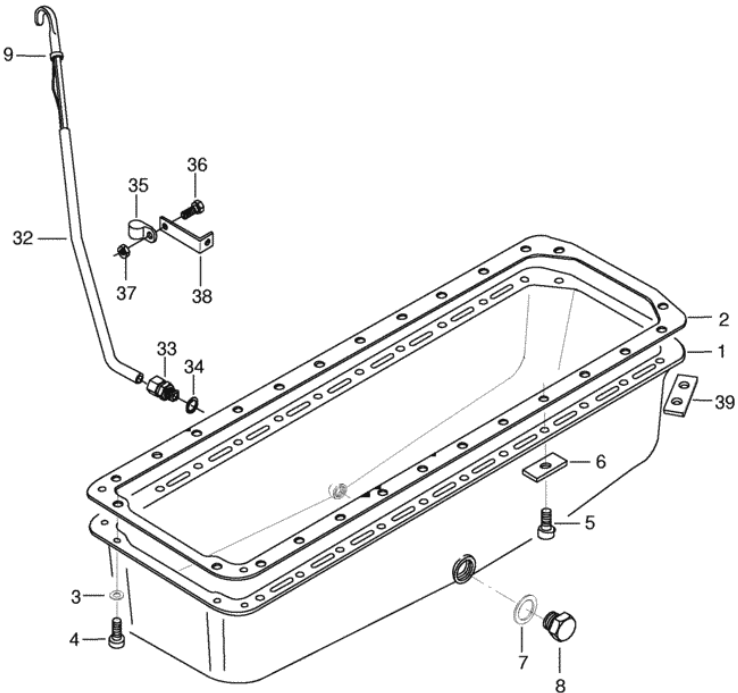
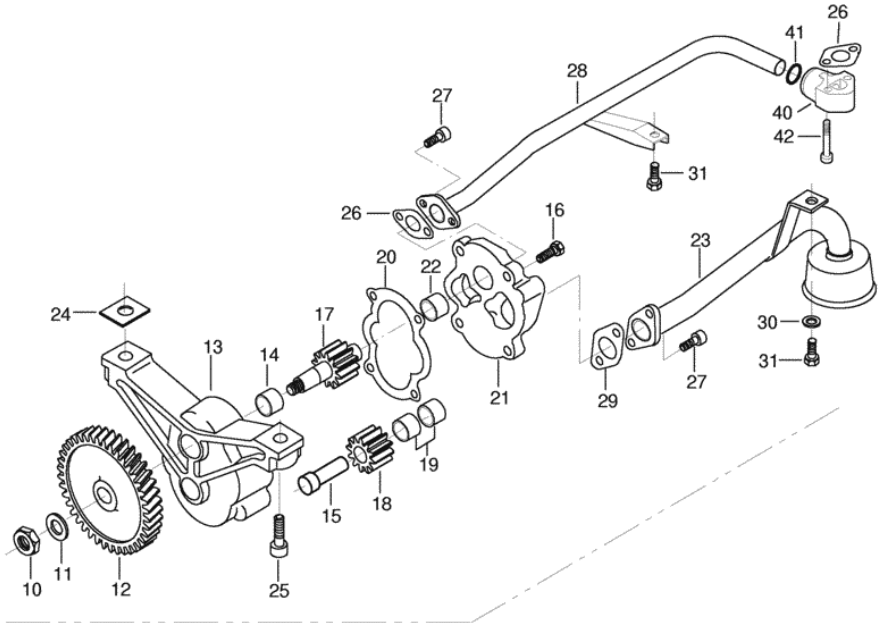
Section: ENGINE  
**CRANK CASE**

Fig.	Code	QTY	Name
38	836840102	1	gasket set "A" S1
38	836840103	1	gasket set "B" S1+S2



Section: ENGINE  
OIL PAN

Fig.	Code	QTY	Name
1	836347308	1	oil pan
2	836322538	1	gasket S2
3	500950800	4	washer
4	581804600	4	screw M8X20
5	581805000	24	screw M10X20
6	836859560	20	washer
7	615882227	1	'o' ring S2
8	640045022	1	plug
9	836346298	1	dipstick
9	836855300	1	oil pump
10	504861000	1	nut M10
11	836122910	1	washer
12	836338667	1	gear
13	836338186	1	body
14	836322909	1	bushing
15	836322906	1	shaft
16	528801380	4	screw M8X20
17	836338182	1	shaft
18	836338180	1	gear
19	836322909	2	bushing
20	836338188	1	gasket S2
21	836855297	1	cover
22	836322909	1	bushing
23	836855674	1	pipng
24	836007871	0	shim
25	581805050	2	screw M10X40
26	836008449	2	gasket S2
27	581804600	4	screw M8X20
28	836866569	1	pipng
29	836338201	1	gasket S2
30	500150840	1	washer
31	528801362	2	screw M8X16



CLICK HERE TO **DOWNLOAD** THE COMPLETE MANUAL

- Thank you very much for reading the preview of the manual.
- You can download the complete manual from: [www.heydownloads.com](http://www.heydownloads.com) by clicking the link below



- Please note: If there is no response to CLICKING the link, please download this PDF first and then click on it.

CLICK HERE TO **DOWNLOAD** THE COMPLETE MANUAL

**GASKET SET FOR ENGINE ASSEMBLY**

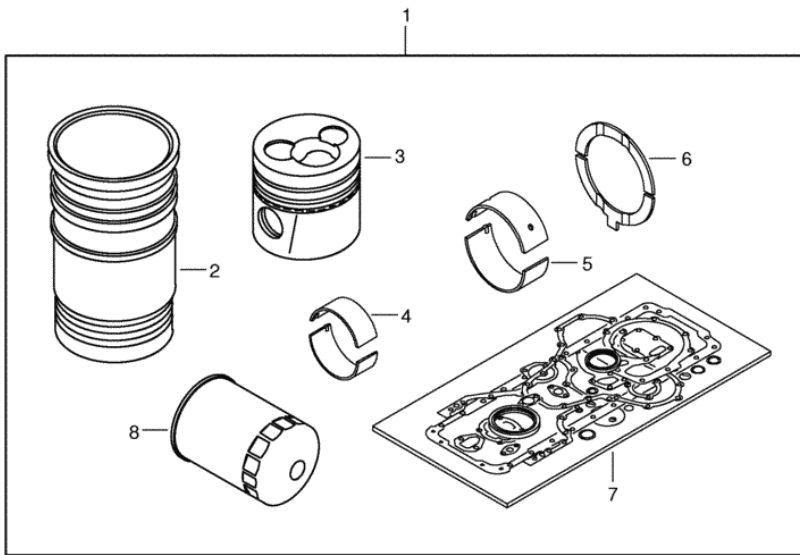
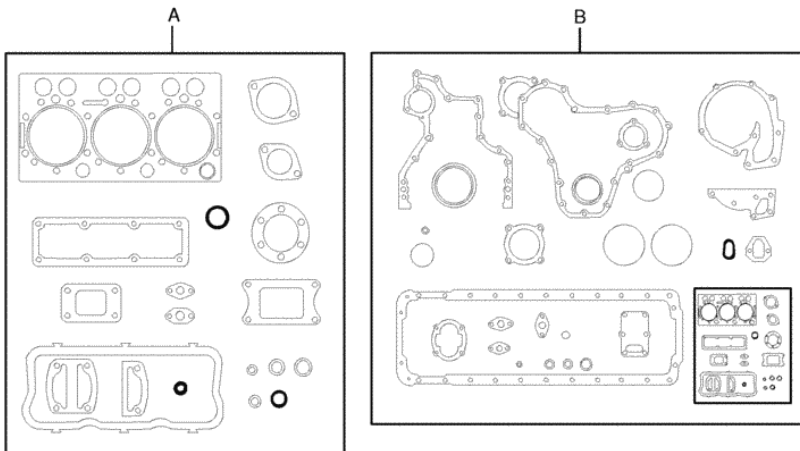


Fig.	Code	QTY	Name
1	836862435	1	parts set
2	836647420	6	cylinder liner ZYLINDERLAUFBUCHSE
3	836866181	6	piston
4	836110552	6	main half bushing
5	836655514	7	main bearing
6	836119459	2	shim
7	836840103	1	gasket set "B"
8	836647133	1	oil filter
900	836840102	0	gasket set "A"
950	836840103	0	gasket set "B"



Section: ENGINE  
**CYLINDER HEAD**

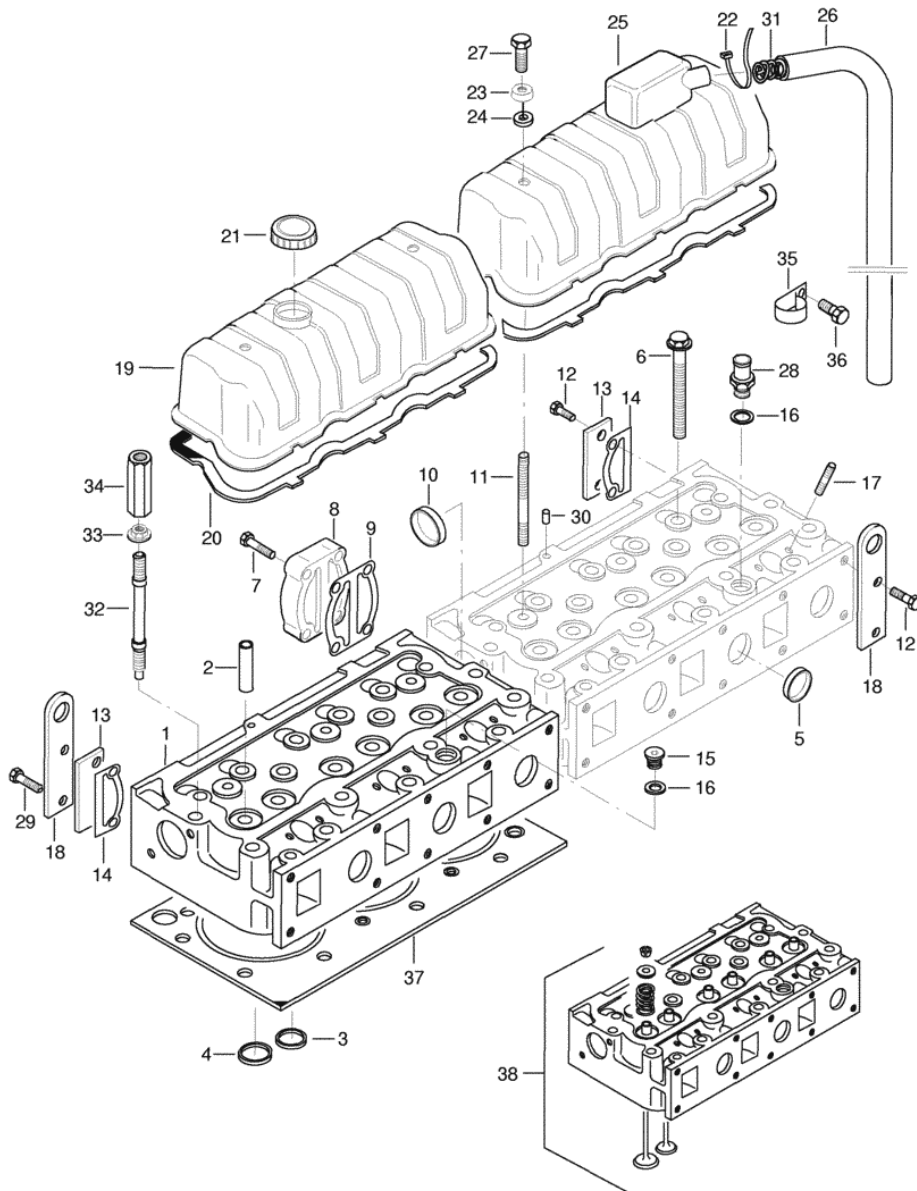


Fig.	Code	QTY	Name
32	836859109	2	stud bolt
33	836859110	2	nut
34	836647835	2	extension
35	836659539	1	belt
36	528801760	1	screw M10X16
37	836664155	2	gasket S1
38	836640897	2	engine head

Section: ENGINE  
**FUEL FILTER**

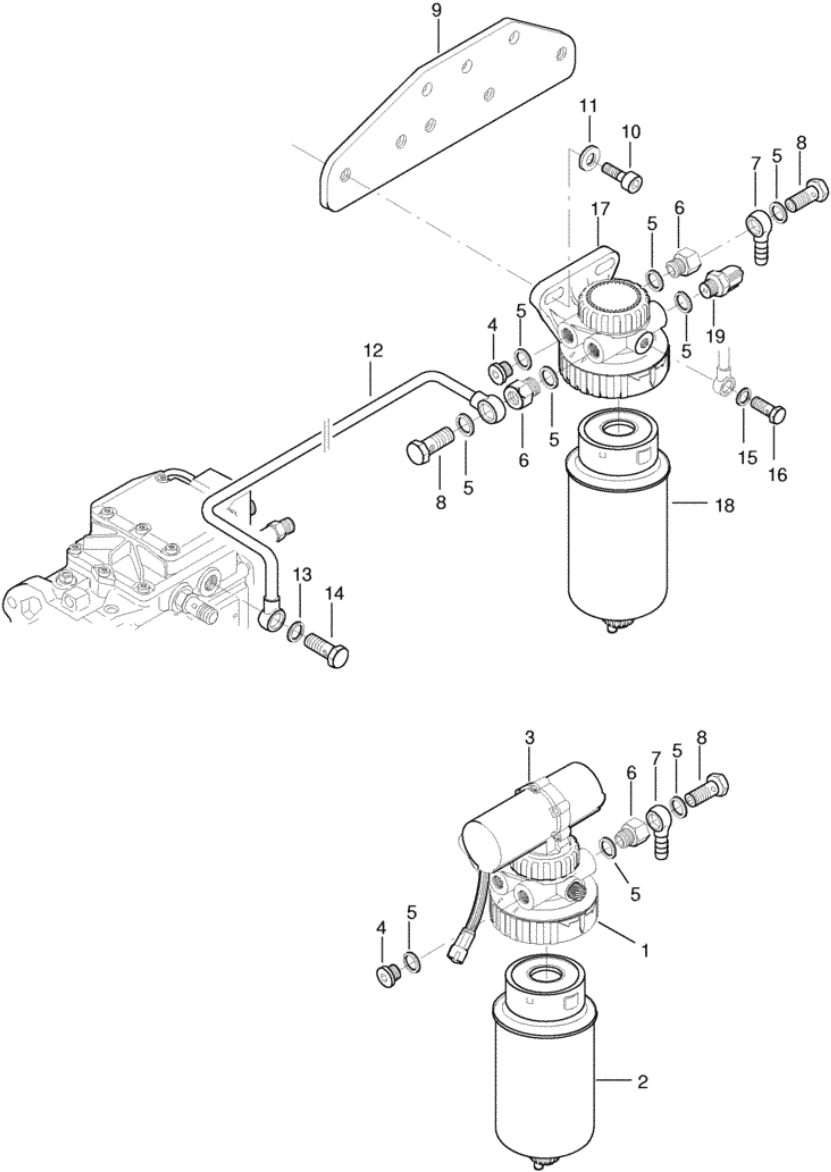


Fig.	Code	QTY	Name
1	836866517	1	precleaner
2	836866575	1	precleaner
3	836866518	1	feed pump
4	640325014	4	plug
5	615881420	14	'o' ring S2
6	836336934	4	pipe fitting
7	640255210	3	ring
8	640435010	4	screw
9	836866481	1	bracket
10	581705030	2	screw M10X30
11	836122910	2	washer
12	836866718	1	pipng
13	615881216	2	'o' ring S2
14	640435008	1	screw gasket S2
15	615571014	2	gasket S2
16	640435006	1	screw
17	836866306	1	fuel filter
18	836866577	1	filter
19	836666797	1	position sensor "0,05--0.2BAR"

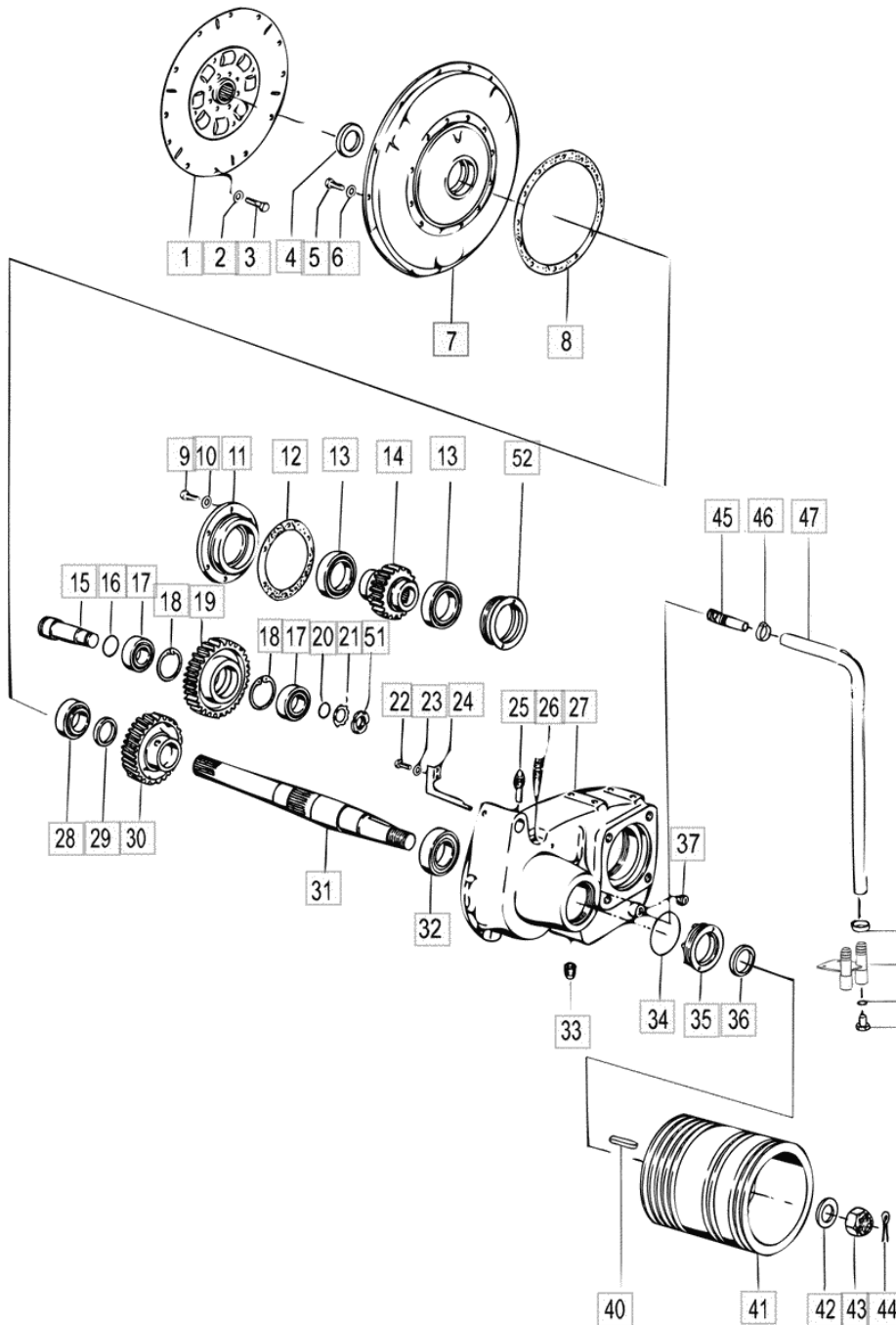
Section: ENGINE  
**TRANSFER GEAR BOX**


Fig.	Code	QTY	Name
1	0424353	1	shoch.absorber
2	7414471	8	washer
3	6226160	8	screw
4	0482364	1	sealing
5	6226767	11	screw
6	7400033	8	washer
7	0482365	1	flange
8	0482366	1	gasket
9	6226567	6	screw
10	7400033	6	washer
11	0482350	1	flange
12	0482351	1	gasket
13	0482352	2	bearing
14	0482353	1	gear
15	0482355	1	shaft
16	0482356	1	sealing
17	0482357	1	bearing
18	7815258	2	circlip
19	0482358	1	gear
20	0482359	1	sealing
21	0482360	1	lock-nut
22	7001159	2	screw
23	7400030	2	washer
24	0482362	1	plate
25	0482391	1	screw
26	0482392	1	level indicator
27	0482363	1	box
28	0482367	1	bearing
29	0482368	1	guide
30	0482369	1	gear
31	0482370	1	shaft
32	0482371	1	bearing
33	0482375	1	screw
34	0482372	1	ring
35	0482373	1	cover
36	0482374	1	sealing
37	0482375	1	screw
40	0482386	1	key
41	0482387	1	pulley
42	0482388	1	ring
43	0482389	1	nut
44	0482390	1	split pin
45	R699161	1	pipe fitting
46	0629054	2	clamp

**STRAW CUTTER'S CLUTCH**

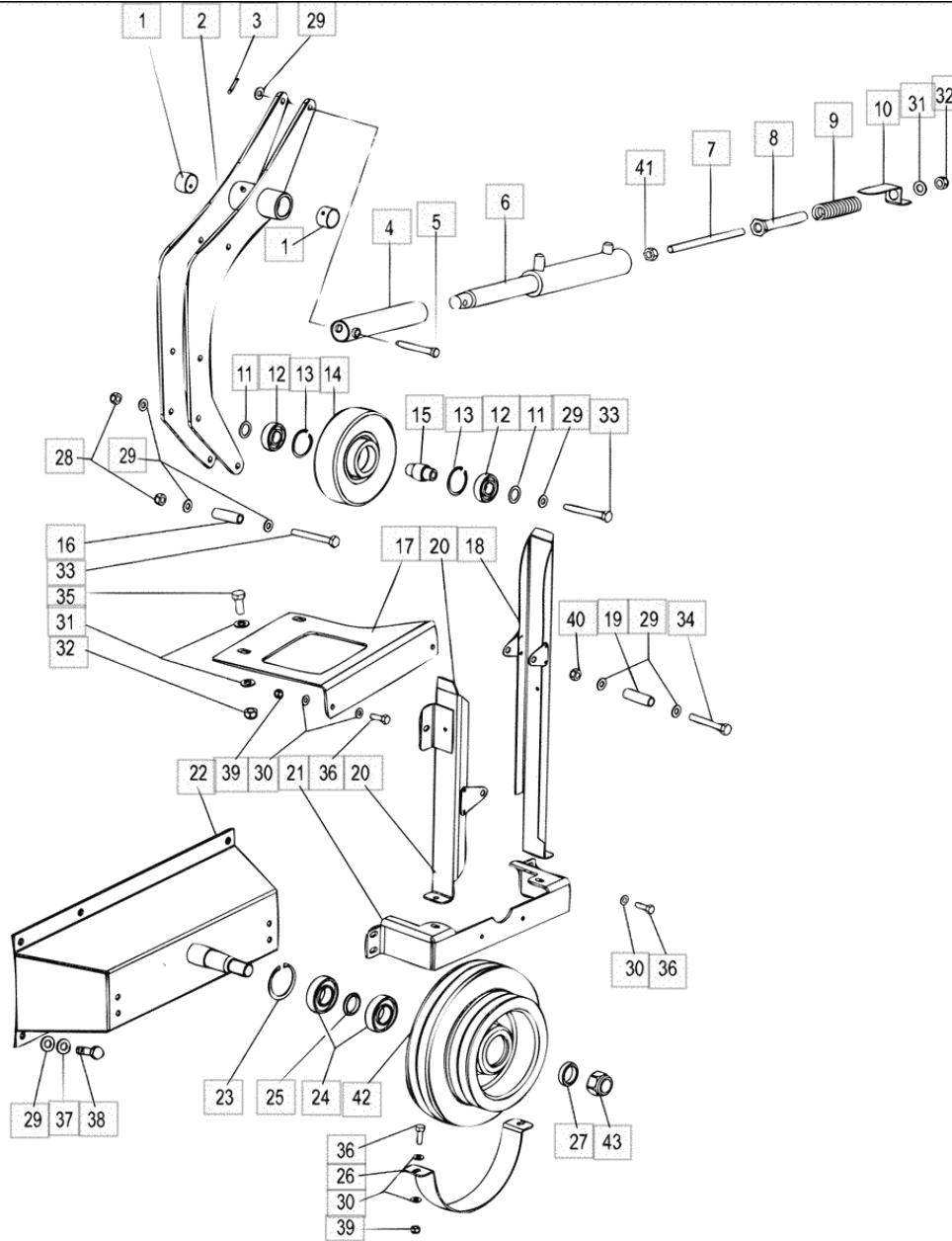


Fig.	Code	QTY	Name
1	0553073	2	bushing
2	R697208	1	lever
3	7812152	1	pin
4	R697227	1	stopper
5	R697161	1	pin
6	0424365	1	cylinder
7	R697219	1	rod
8	R663254	1	bushing
9	0415261	1	spring
10	R699089	1	pointer
11	R697223	2	bushing
12	0502364	2	bearing
13	7815238	2	circlip
14	0660005	1	wheel
15	R697221	1	shaft
16	R697236	1	tube
17	R697160	1	support
18	R697152	1	support
19	R580417	1	bushing
20	R697159	1	guard
21	R697199	1	support
22	R697311	1	support
23	7815248	1	circlip
24	0502366	2	ball bearing
25	R696168	1	spacer
26	R697156	1	guide
27	R694900	1	bushing
28	6594138	2	screw
29	7400033	13	washer
30	7400032	8	washer
31	7400034	5	washer
32	6594238	3	nut
33	6228577	2	screw
34	6228177	2	screw
35	6231367	2	screw
36	6221467	4	screw
37	7414471	6	washer
38	6226367	6	screw
39	6594038	2	nut
40	6594148	1	nut
41	6506631	1	nut
42	R696726	1	pulley
42	R702982	1	HIGH SPEED pulley

Section: Grain transport elements  
**GRAIN TANK FILLING AUGER**

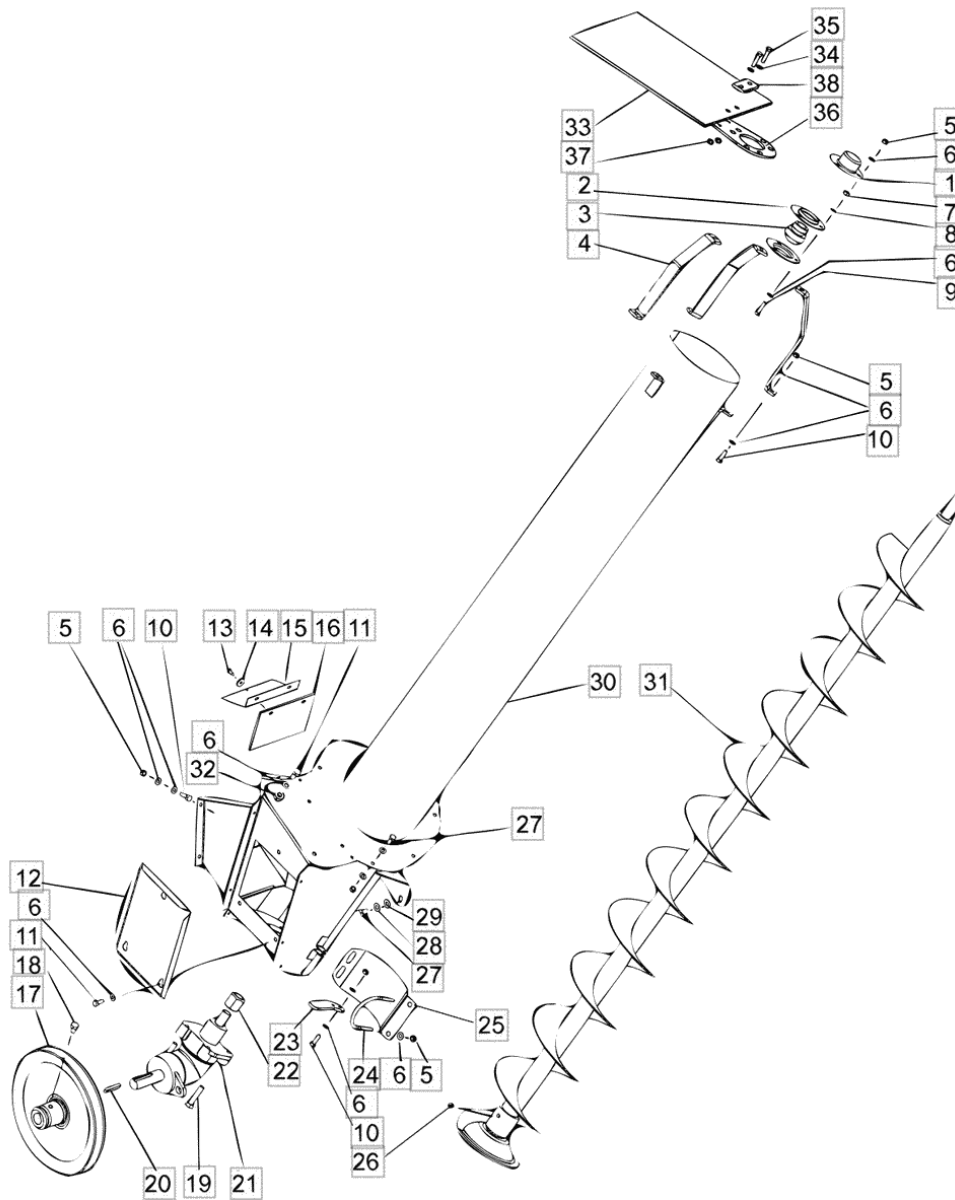
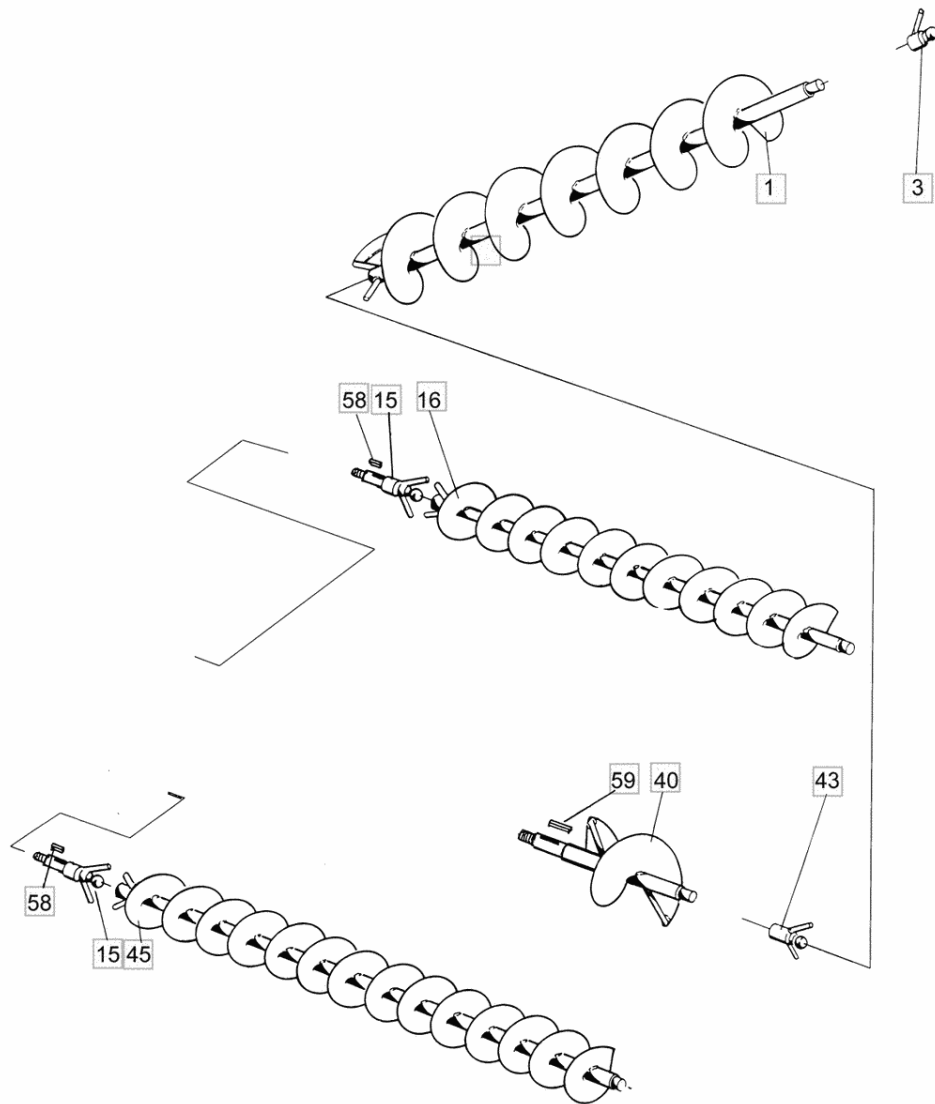


Fig.	Code	QTY	Name
1	R634692	1	guard
2	0569321	2	bearing housing
3	0511360	1	ball bearing
4	R681207	3	support
5	6594038	18	nut
6	7400032	24	washer
7	6506234	3	nut
8	7414469	3	washer
9	6221667	3	screw
10	6221467	7	screw
11	6221260	11	screw
12	R694503	1	door
13	7268607	2	block
14	7414055	2	washer
15	R694638	1	support
16	R694429	1	sealing
17	0660070	1	pulley
18	6225767	1	screw
19	6232190	4	screw
20	7716117	1	dowel
21	0499000	1	bevel gear
22	R699612	1	nut
23	R685305	1	lever
24	R685218	1	screw
25	R694428	1	door
26	0252445	1	lubricator
27	6226167	2	screw
28	7414471	2	washer
29	7400033	2	washer
30	R697259	1	box
31	R697266	1	shaft
31	R703337	1	shaft HD
32	6594148	2	nut
33	R699487	1	tyre A
34	7400030	2	washer
35	6211667	2	screw
36	R699488	1	support A
37	6593838	2	nut
38	R597919	1	support A

**UNLOADING AUGER**

Fig.	Code	QTY	Name
1	R696358	1	screw conveyor
3	R688138	1	joint
15	R696021	2	joint
16	R696366	1	screw conveyor
40	R696023	1	screw conveyor
43	R685729	1	joint
45	R696362	1	screw conveyor
58	7717129	2	dowel
59	7717142	1	dowel



**GUARDS, ENGINE AND STRAW CUTTER, EXTENDED WALKERS**

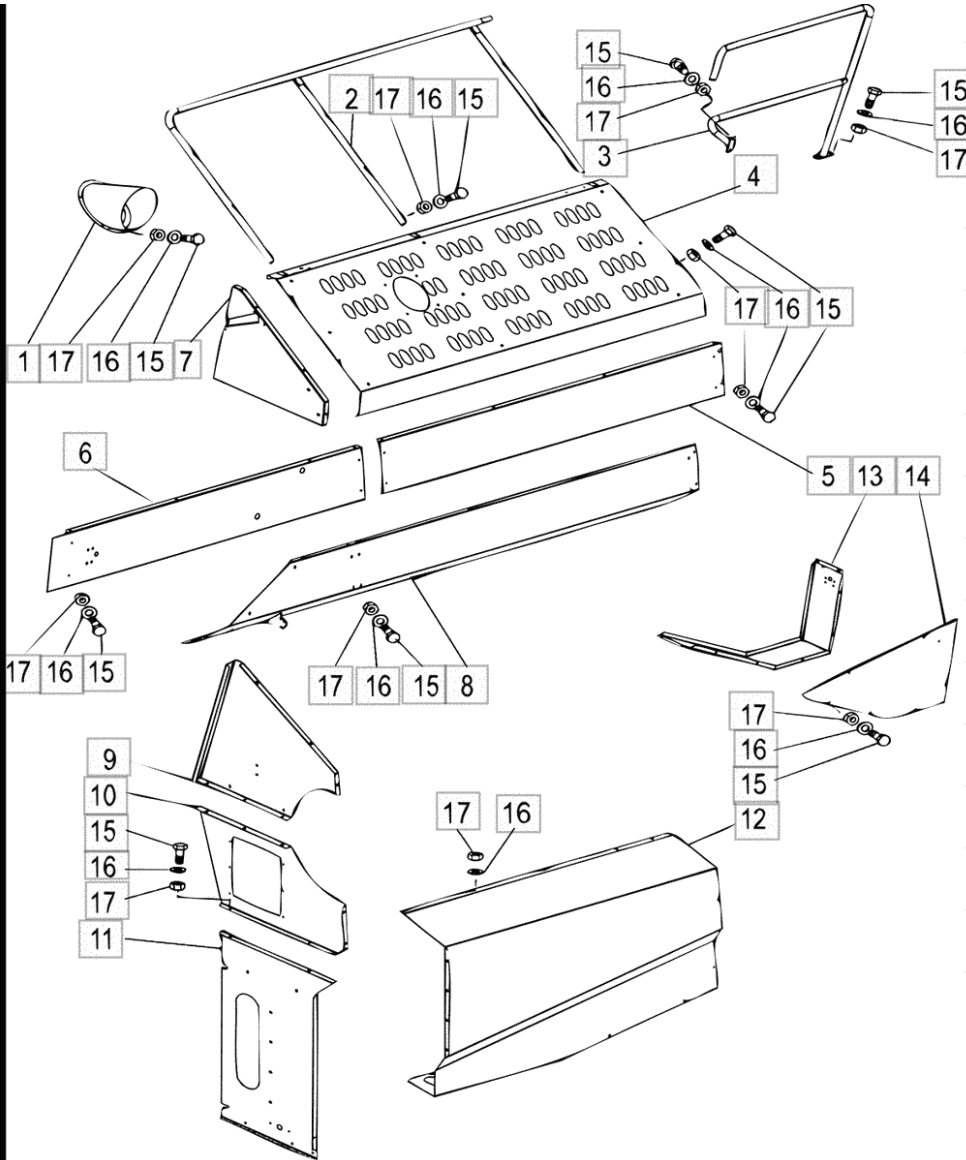
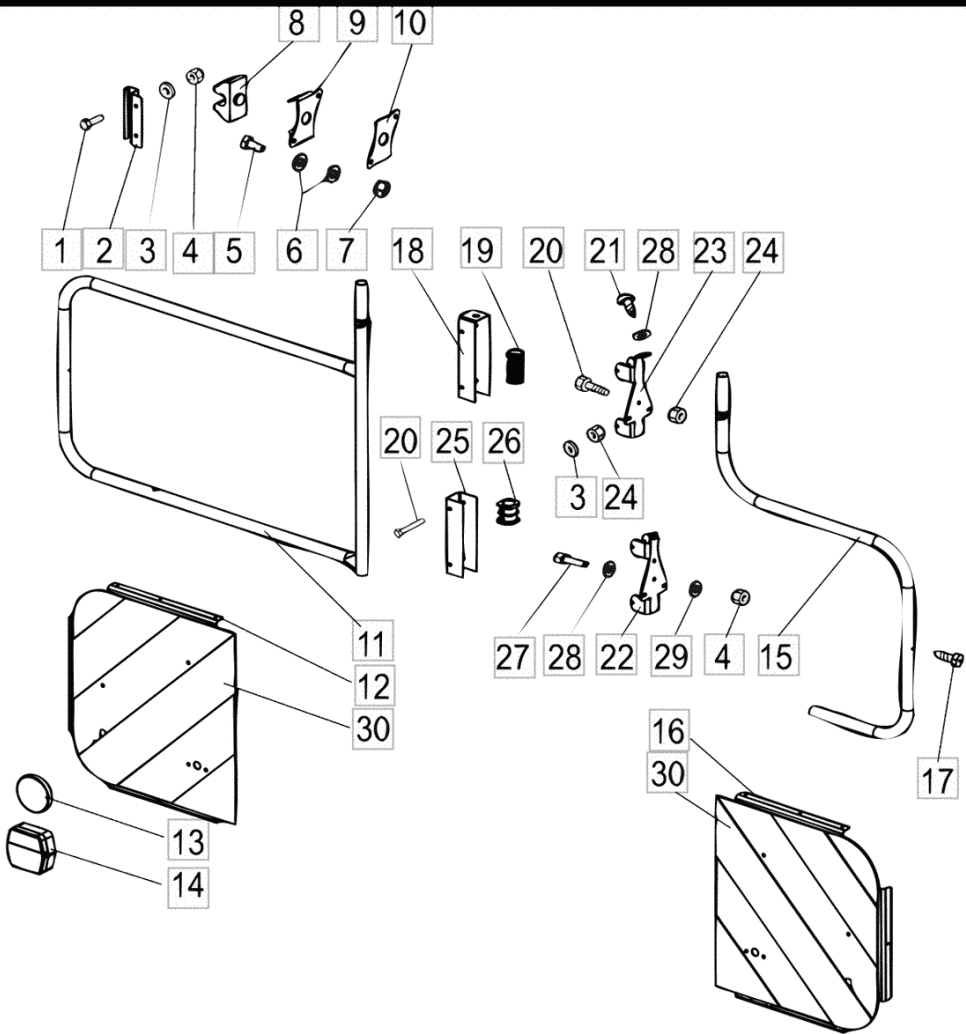


Fig.	Code	QTY	Name
1	R697995	1	extension
2	R698067	1	rail
3	R697834	1	rail
4	R697766	1	guard
5	R698075	1	plate
6	R698074	1	plate
7	R698554	1	plate
8	R697769	1	guard sx/lh/li
9	R697765	1	guard
10	R702143	1	guard
11	R702141	1	stone trough
12	R701746	1	sump
13	R697823	1	guard
14	R697821	1	cover
15	6220867	36	screw
16	7400032	41	washer
17	6594038	41	nut

Section: Guards  
**OVER WIDTH MARK**

Fig.	Code	QTY	Name
1	6211467	11	screw
2	R699640	2	support
3	7400029	6	washer
4	6593838	13	nut
5	6221267	2	screw
6	7400032	4	washer
7	6594038	2	nut
8	0633896	1	support
9	R698898	1	support
10	R699639	1	plate
11	R699635	1	arm
12	R699643	1	plate
13	8020235	2	reflector
14	8070022	2	side lamp
15	R699632	1	arm
16	R699644	1	plate
17	7266308	2	block
18	R686598	2	small block
19	0415250	2	spring
20	6754744	6	screw
21	7268607	1	block
22	R699634	2	box
23	R700753	1	box
24	6593738	6	nut
25	R699638	1	box
26	0552091	6	bearing
27	7001713	2	screw
28	7400030	19	washer
29	7414378	4	washer
30	0814603	2	plate



Section: Working hydraulics

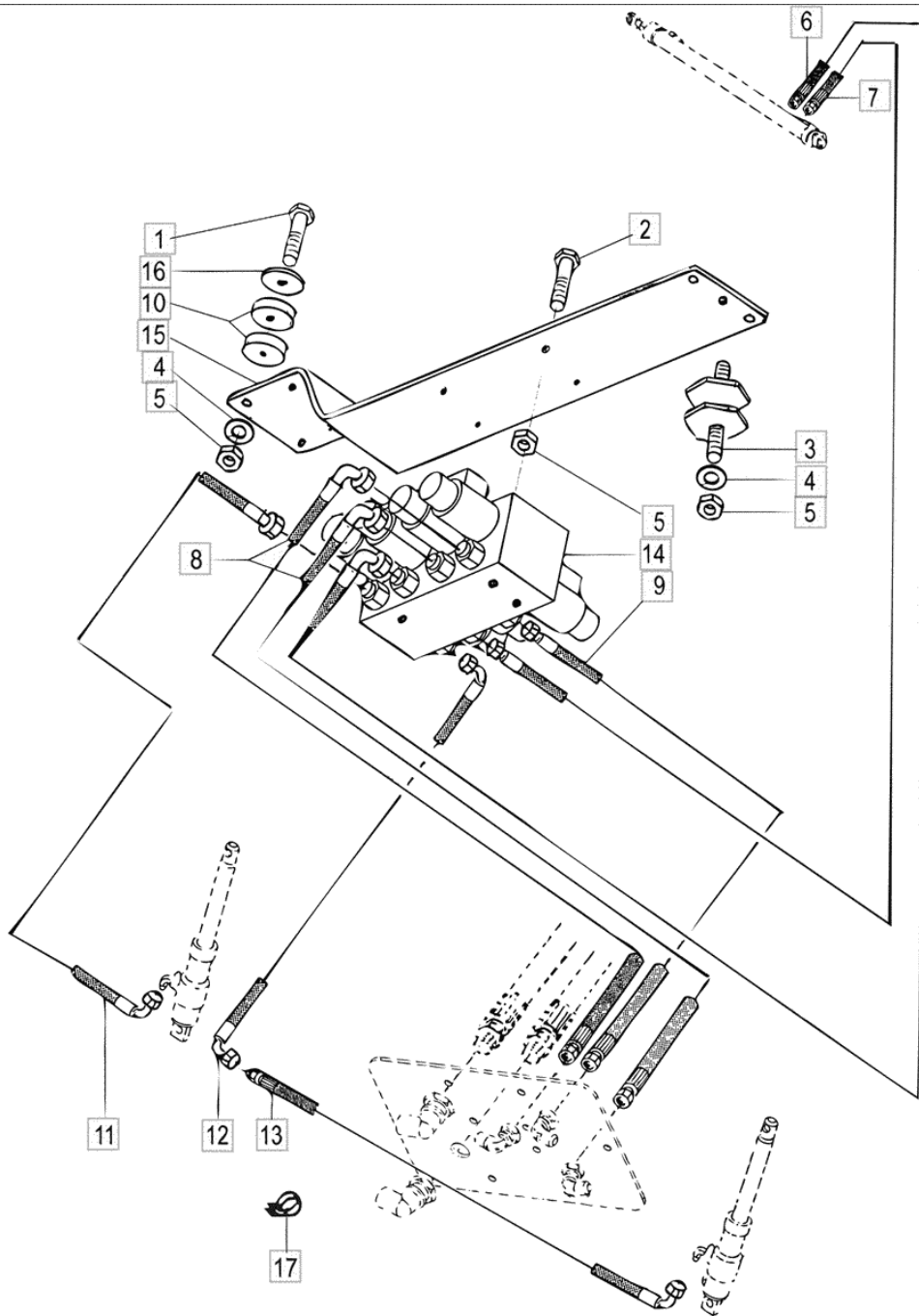
**DIRECTIONAL CONTROL VALVE HOSES**

Fig.	Code	QTY	Name
1	6222277	2	screw
2	6224070	4	screw
3	0633674	1	screw
4	7400032	1	washer
5	6594038	7	nut
6	0620536	1	tube
7	0620535	1	tube
8	0620548	2	tube
9	0620549	1	tube
10	R619014	4	shoch.absorber
11	0620545	1	tube
12	0620544	1	tube
13	0620543	1	tube
14	0493753	1	valve
15	R697170	1	support
16	7414057	2	washer
17	0629098	0	clamp

**THRESHING MONITOR LH-500 MED./MAX.**

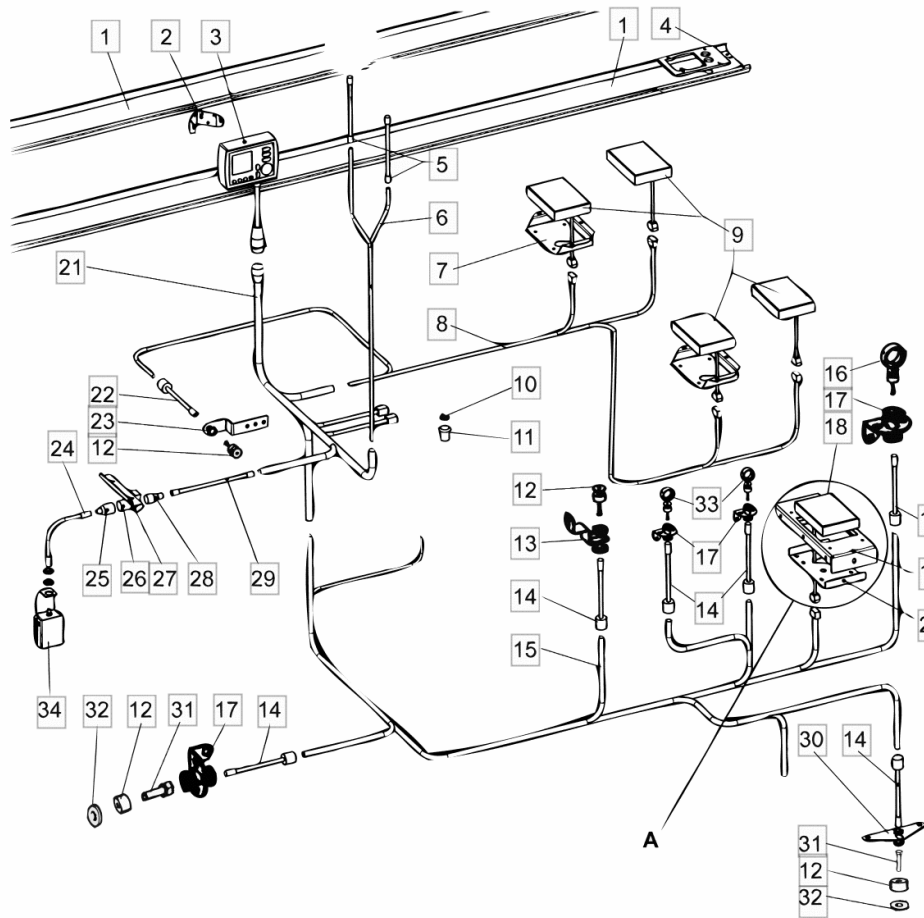


Fig.	Code	QTY	Name
1	R701745	2	shaker coating
2	R701817	1	support
3	R702125	1	pointer A&B
3	R702126	1	pointer A&C
3	R702123	1	pointer B
3	R702124	1	pointer C
4	R692442	2	plate
5	9701174	2	cable
6	9701173	1	cable
7	R700991	2	plate
8	9701171	1	cable
9	8033743	4	level indicator
10	0814719	1	tube
11	8094952	1	switch
12	8033722	7	magneto
13	R701813	1	support
14	8033742	6	level indicator
15	9701172	1	cable
16	R693277	1	ring
17	R699814	4	plate
18	8033740	1	level indicator A
19	R699544	1	plate A
20	R699547	1	clamp A
21	9701170	1	cable
22	8033744	1	level indicator
23	R699833	1	support
24	R701811	1	level indicator
25	8055544	1	guard
26	8055542	1	socket
27	R701899	1	support
28	8055543	1	pipe fitting
29	9701810	1	cable
30	R699831	1	support
31	8033723	7	screw
32	8033721	7	washer
33	R693275	2	ring
34	R700497	1	level indicator

Section: Threshing machinery  
**DRUM AND CONCAVE**

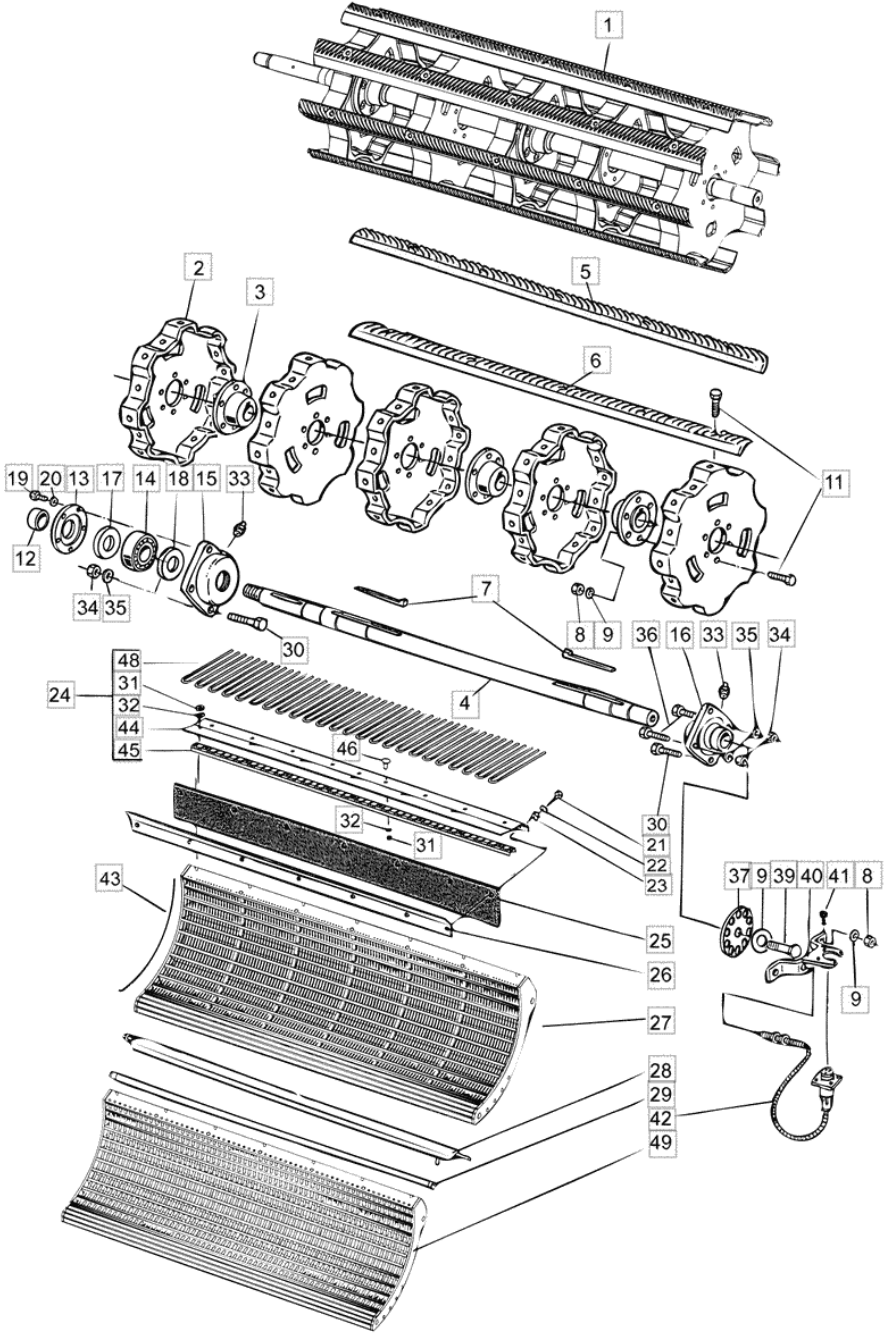


Fig.	Code	QTY	Name
30	6232977	6	screw
31	6594038	7	nut
32	7400032	7	washer
33	0252420	2	lubricator
34	6594238	8	nut
35	7400034	8	washer
36	6233397	2	screw
37	R694991	1	flange
39	6231167	1	screw
40	R694989	1	support
41	6062814	2	block
42	R695505	1	speed sensor
43	R620186	110	rail
44	R696299	1	rail
45	R696298	1	rail
46	6758344	9	screw
47	R699872	2	guard ->  660032
48	R695951	24	wire
49	R697321	1	threshing basket HD

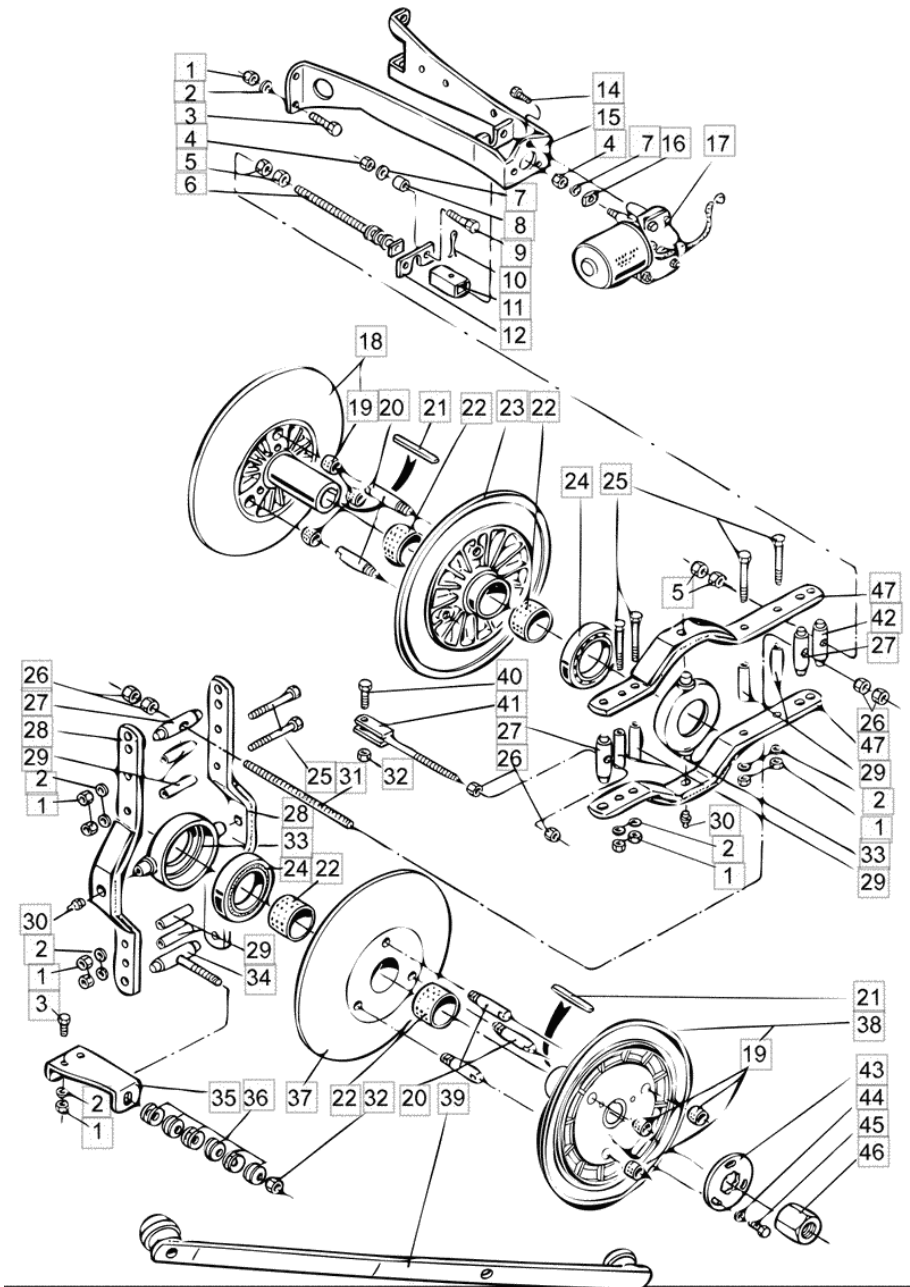
Section: Threshing machinery  
**CYLINDER VARIATOR 400....1150**


Fig.	Code	QTY	Name
1	6506434	14	nut
2	7414471	14	washer
3	6226567	6	screw
4	6506234	4	nut
5	R671507	4	nut
6	R691592	1	screw
7	7414469	4	washer
8	R659452	1	bushing
9	6221667	4	screw
10	7812160	1	split pin
11	R697581	1	bushing
12	R686435	1	small plate
14	6211067	3	screw
15	R694286	1	support
16	R669278	1	driver
17	8031930	1	electric motor
18	R694272	1	pulley
19	0553031	6	bushing
20	R694277	6	pin
21	7716160	2	key
22	0553033	4	bushing
23	R694273	1	pulley
24	0502039	2	ball bearing
25	6229167	8	screw
26	6506634	6	nut
27	R694435	3	pin
28	R686431	2	arm
29	R694436	8	tube
30	0252420	2	lubricator
31	R686437	1	stud bolt
32	6594238	2	nut
33	R694276	2	box
34	R694432	1	screw
35	R694431	1	support
36	0410122	12	washer
37	R694269	1	pulley
38	R694268	1	pulley
39	R694563	1	rod
40	6231767	1	screw
41	R680717	1	stay
42	R694434	1	nut
43	R694289	1	flange
44	7414473	3	washer
45	6231167	3	screw

Section: Threshing machinery  
**STRAW WALKER, EXTENSION**

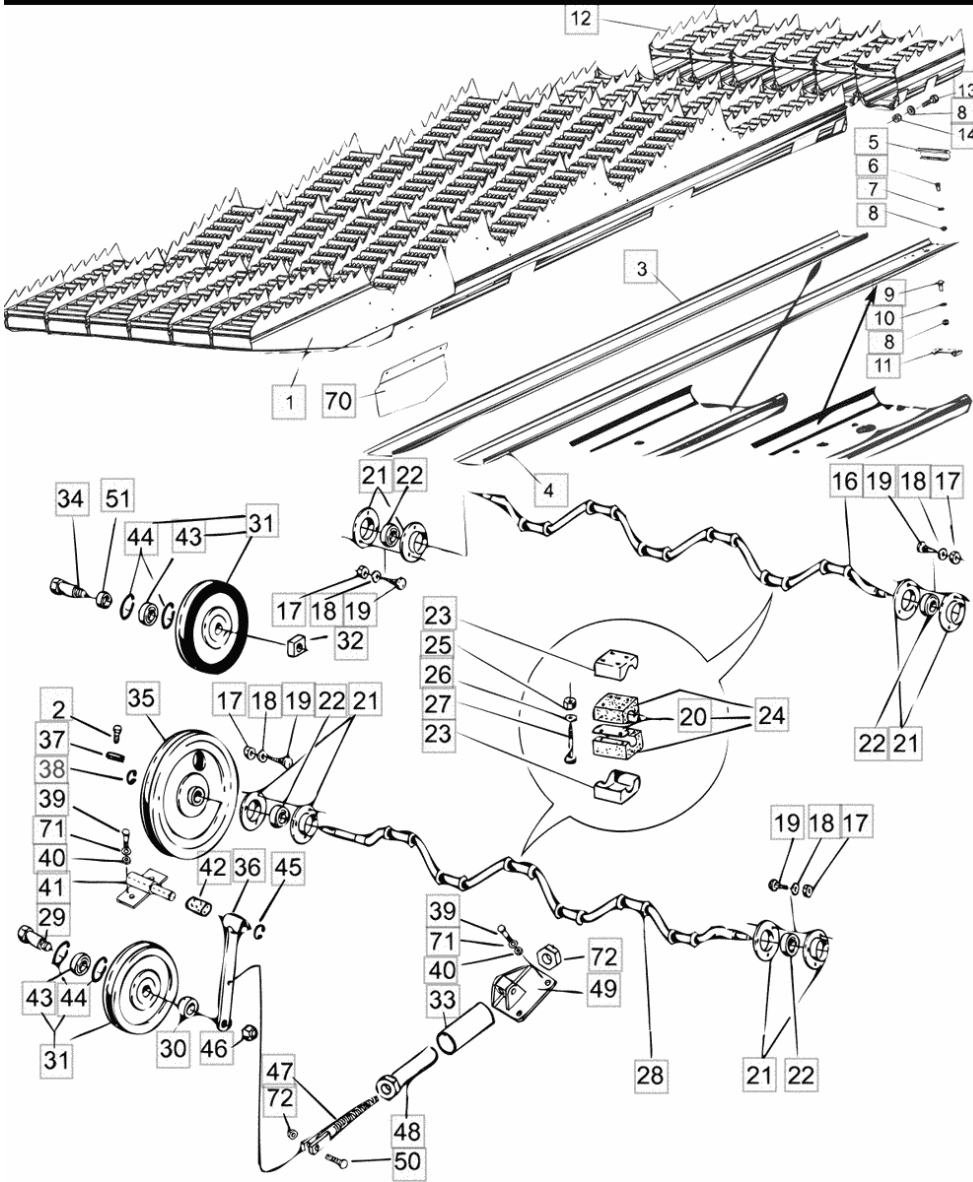


Fig.	Code	QTY	Name
1	R701736	6	shaker
2	6221267	1	screw
3	R692130	4	shaker coating
4	R701745	2	shaker coating
5	R692131	6	plate
6	6210667	12	screw
7	7400032	12	washer
8	6593838	54	nut
9	6758344	12	screw
10	6594048	27	nut
11	R692132	6	latch
12	R701737	6	extension
13	6211067	42	screw
14	7400030	96	washer
16	0424351	1	shaft
17	6506434	12	nut
18	7414471	12	washer
19	6763344	12	screw
20	R696261	24	washer
21	0569322	8	bearing housing
22	0511057	4	bearing
23	R696282	24	tube
24	R696257	12	bearing
25	6594038	60	nut
26	7414057	48	washer
27	6761544	48	screw
28	0424350	1	shaft
29	R596052	1	pin
30	R066732	1	bushing
31	R698361	2	wheel
32	9595515	1	nut
33	R698247	1	bushing
34	R697457	1	pin
35	0660062	1	pulley
36	R697469	1	arm
37	7716117	1	dowel
38	7815027	1	circlip
39	6226360	2	screw
40	6594148	2	nut
41	R697481	1	pin
42	0552076	2	bushing
43	0502364	2	bearing
44	7815238	4	circlip
45	7815017	1	circlip

Section: Threshing machinery  
**STRAW CUTTER STD**

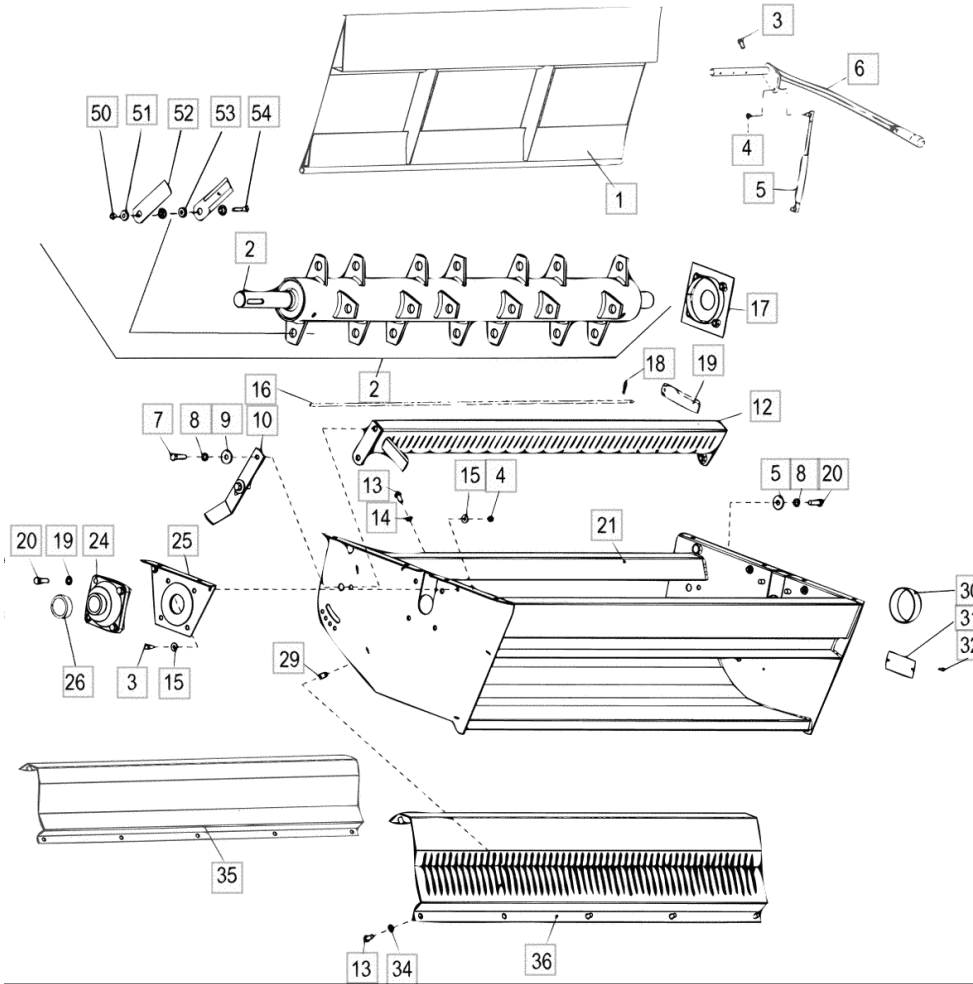
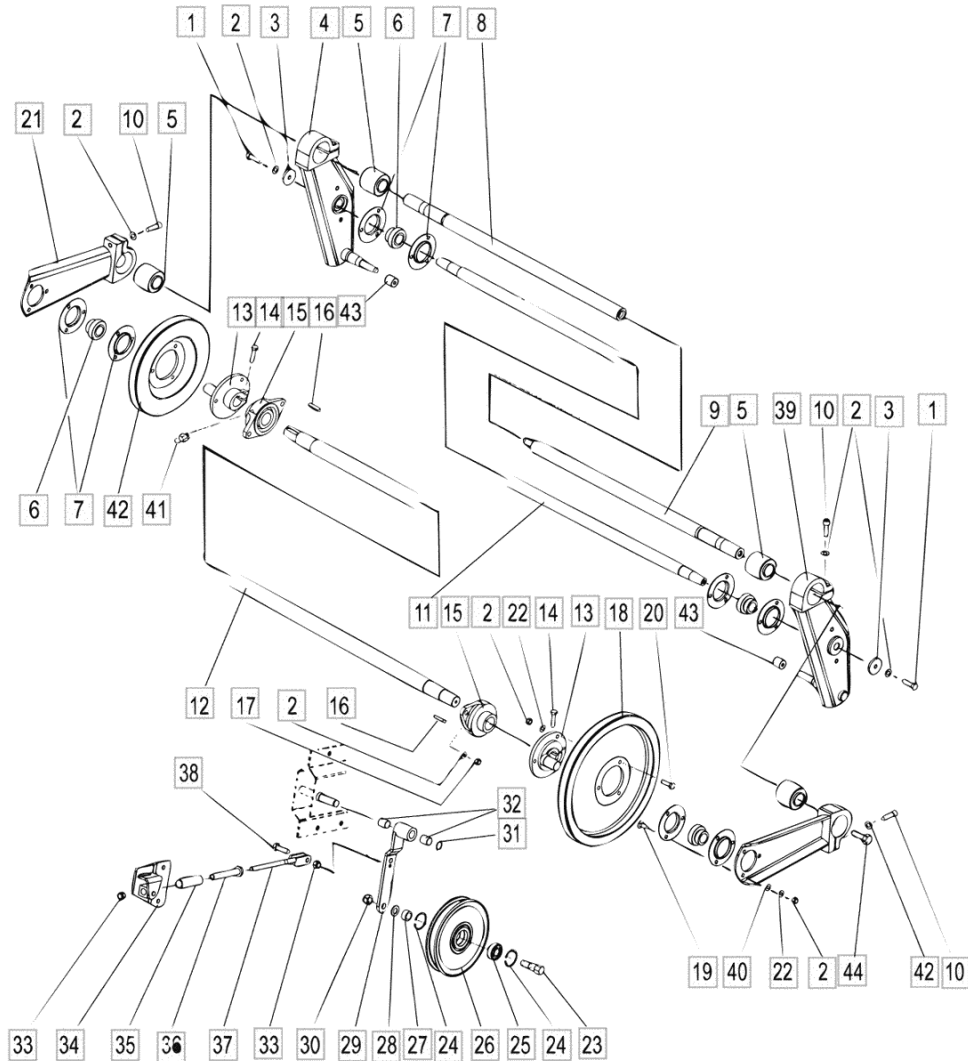


Fig.	Code	QTY	Name
1	0488101	1	cap
2	0482070	1	rotor
3	6221267	11	screw
4	6594038	17	nut
5	0481077	1	shoch.absorber
6	0482064	1	handle
7	6231767	1	screw
8	0488126	2	disc
9	0488115	2	disc
10	0488130	1	lever
12	0488129	1	finger bar
13	6226167	16	screw
14	7400033	1	washer
15	7400032	24	washer
16	0488135	1	rod
17	0482018	2	guard
18	0488136	2	pin
19	0480917	53	chopper knife
20	6231560	9	screw
21	0488133	1	cover
24	0482008	2	box
25	0482078	2	plate
26	0482009	2	bearing
29	0488123	10	nut
30	0482010	1	guard
31	0488116	1	stone trough
32	0488124	2	rivet
34	0488127	10	disc
35	0488103	1	lamination
36	0488125	1	stone trough
50	0482003	26	nut
51	0481052	52	bushing
52	0482001	52	chopper knife
53	0481005	52	bushing
54	0482002	28	screw

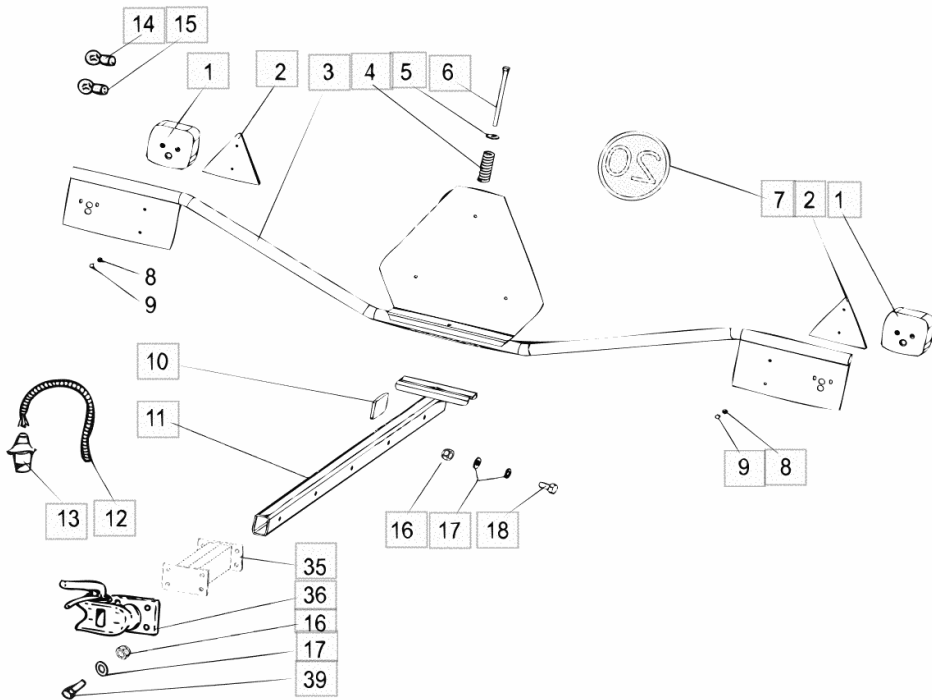
Section: Threshing machinery  
**SHAKERSHOE MIDDLE PULLEYS**

Fig.	Code	QTY	Name
43	0633882	2	-> 660064 bushing
44	R698427	1	screw



**TRAILER LIGHT ARM GERMANY ONLY**

Fig.	Code	QTY	Name
1	8070021	2	side lamp
2	8020240	2	reflector
3	R701127	1	arm
4	0415225	1	spring
5	7414059	1	washer
6	6229867	1	screw
7	0813693	1	plate
8	7400030	8	washer
9	6210667	8	screw
10	8020230	2	reflector
11	R701125	1	arm
12	8041630	1	cable
13	8055562	2	pipe fitting
14	8035095	2	headlight
15	8035093	2	headlight
16	6594238	5	nut
17	7400034	6	washer
18	6232973	1	screw
35	R694373	1	extension
36	0493693	1	clutch assy
39	6232177	4	For Germany screw



CLICK HERE TO **DOWNLOAD** THE COMPLETE MANUAL

- Thank you very much for reading the preview of the manual.
- You can download the complete manual from: [www.heydownloads.com](http://www.heydownloads.com) by clicking the link below



- Please note: If there is no response to CLICKING the link, please download this PDF first and then click on it.

CLICK HERE TO **DOWNLOAD** THE COMPLETE MANUAL