

D07 4507

BRAKE

Control assy./servise brake, Parking brake

OPERATION - PARKING BRAKE.....	13.29.1
HAND BRAKE.....	13.29.2

Service brake, Contral assy./service brake

OPERATION - SERVICE BRAKE - LINES.....	13.30.2
SERVICE BRAKE.....	13.30.8
OPERATION - P.T.O. SHAFT - REAR.....	13.30.21
OPERATION - P.T.O. SHAFT - REAR.....	13.30.22
OPERATION - P.T.O. SHAFT - REAR.....	13.30.23
SERVICE BRAKE.....	13.30.24
DISC BRAKE.....	13.30.26

CLICK HERE TO **DOWNLOAD** THE COMPLETE MANUAL

- Thank you very much for reading the preview of the manual.
- You can download the complete manual from: www.heydownloads.com by clicking the link below



- Please note: If there is no response to CLICKING the link, please download this PDF first and then click on it.

CLICK HERE TO **DOWNLOAD** THE COMPLETE MANUAL

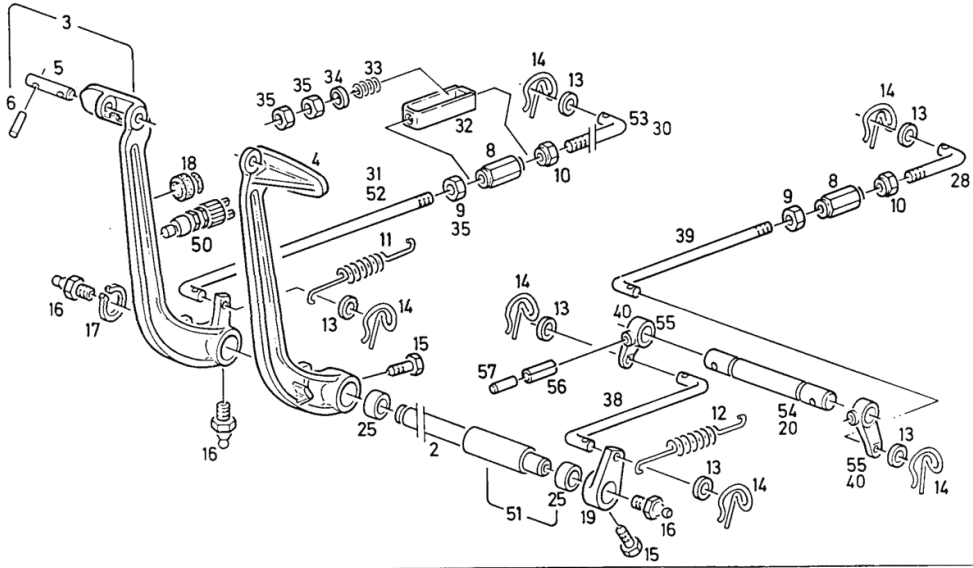
Section: BRAKE
OPERATION - P.T.O. SHAFT - REAR

Fig.	Code	QTY	Name
40	04332863	1	lever UP TO CHASSIS-NO. FROM CHASSIS- FRAME NO....ITEM ... < 7868/1847 > 55
50	01175755	1	switch
51	04339604	1	bushing
52	02332754	1	rod
53	02332755	1	rod
54	04339598	1	shaft
55	04340687	2	lever
56	01115505	2	pin
57	01115479	2	pin ISO 008752-13 X 55 ISO 008752- 8 X 55



BETÄTIGUNG	BETRIEBSBREMSE	SCHEIBENBREMSE	GETR. LENKACHSE
CONTROL ASSEMBLY	SERVICE BRAKE	DISC BRAKE	DRIVEN AXLE
CDE D'ACTIONNEM.	FREIN DE ROUTE	FREIN A DISQUE	ESSIEU DIRECTEUR
ACCIONAMIENTO	FRENO DE SERVICIO	FRENO DE DISCO	EJE MOTRIZ

1005-30 503 9498

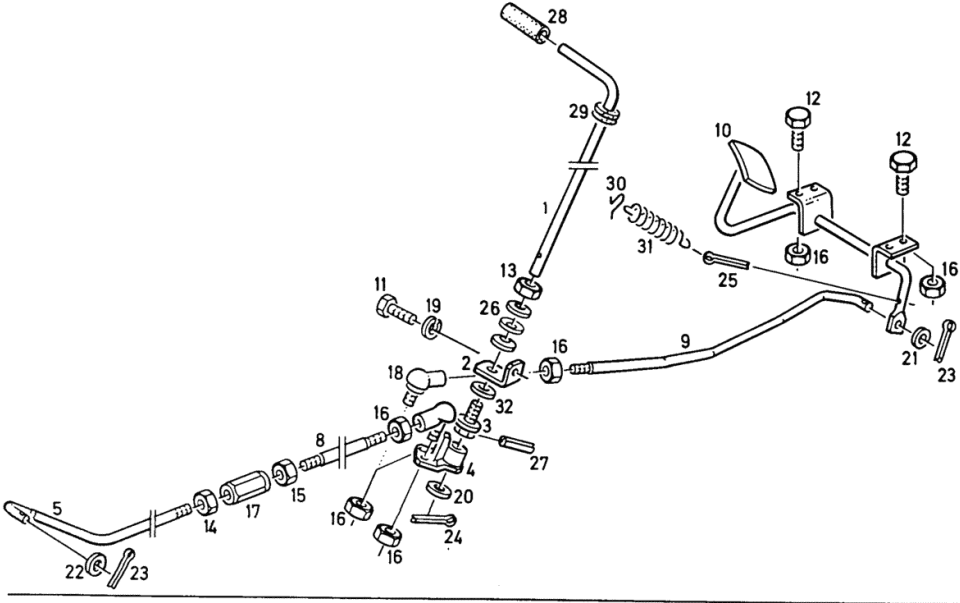


Section: BUILT-ON ACCESSORIES
SPEED ADJUSTMENT

Fig.	Code	QTY	Name
28	02370419	1	knob
29	02370412	1	sleeve
30	03388321	1	bracket
31	03471076	1	spring
32	04378843	1	disc

DEUTZ FAHR
 DREHZAHLVERSTELLUNG
 SPEED CONTROL
 VARIATION REGIME
 GRADUAC. REVOLUC.

1001- 46 503 5106



Section: BUILT-ON ACCESSORIES
WING FRONT

Fig.	Code	QTY	Name
1	02378541	1	support RIGHTS
2	02378542	1	support LEFT
3	01111339	1	screw m 10 x 80 DIN 000931- M10 X 80 - 8.8-A4 C
	1005- 52 503 5127 4	2	screw m 10 x 70, d933 DIN 000933-M10 X 70 - 8.8-A4C
		3	washer 10.5 DIN 007980-10-FST-A4C
		4	washer 8.4 DIN 009021- 8,4-140HV-A4C
		4	screw m 8 x 25, d933 ISO 004017-M 8 X 25 - 8.8-A4C
		4	nut ISO 004032-M 8 -10
		1	fender



GUMMIKOTFLÜGEL
 MUDGUAD
 GARDE-BOUE CAOUCHE
 GUARDABARRAS CAUCH

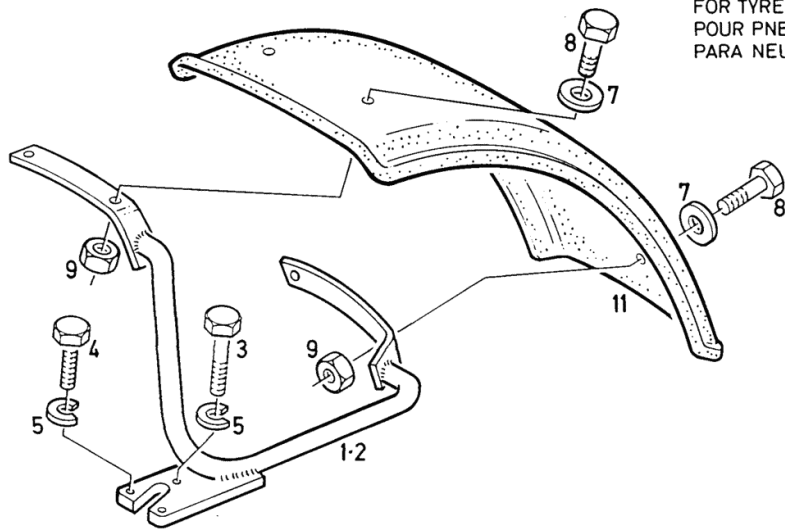
GETR. LENKACHE
 DRIVEN AXLE
 ESSIEU DIRECTEUR
 EJE MOTRIZ

SIGE 3500

1005- 52 503 5127 4

FÜR BEREIFUNG
 FOR TYRES
 POUR PNEUMATIQUES
 PARA NEUMATICOS

10.5-18
 10.5-20



DRIVER'S SEAT

**DEUTZ
FAHR** BEFESTIGUNGSTEILE KLAPPSITZ
FASTENINGS FOLDING SEAT
PIECES DE FIXAT. STRAPONTIN
PZAS. FIJACION ASIEN TO ABATIBLE

1001-54 504 1176

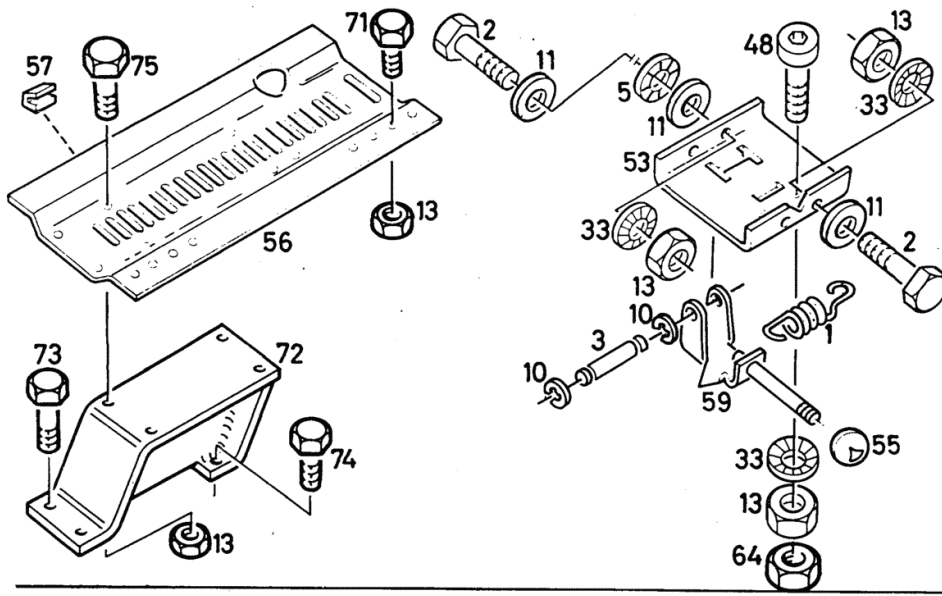


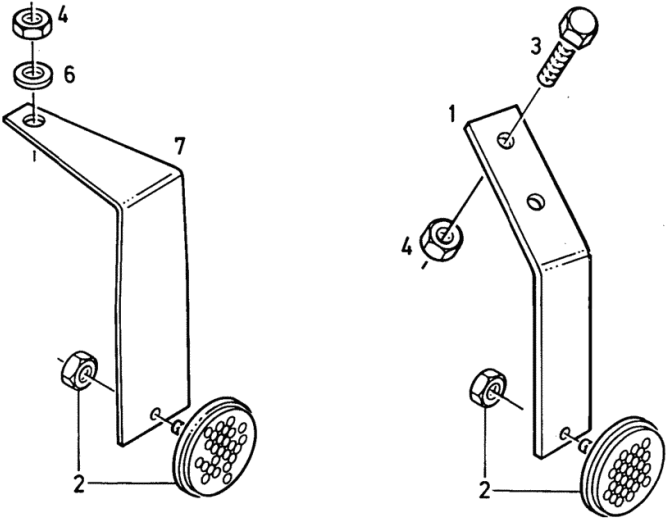
Fig.	Code	QTY	Name
1	04306974	1	spring
2	01112352	4	screw DIN 000933-M 8 X 35 SK- 8.8-A 4C M8X35 SK DIN 933-8.8 A4C
3	04306972	1	pin
5	01107283	2	washer 8.2 DIN 000137-B 8-FST-A4C B 8 DIN 137 A4C
10	01131021	2	washer 5 d6799 DIN 006799- 5 5 DIN 6799
11	01136363	4	washer 8.4 DIN 009021- 8,4-140HV-A4C A 8,4 DIN 9021-ST A4C
13	01112824	6	nut m 8, d934 ISO 004032-M 8 - 8-A4C M 8 DIN 934-M8 A4C
33	01127471	6	washer DIN 006798-A 8,2-A4C A 8,2 DIN 6798 A4C
48	01151498	2	screw DIN 000912- M 8 X 16 -10.9 DIN 912-M 8X16-8.8 A4C
53	04306977	1	guide
55	04306976	1	push-button
56	04355863	1	stop
57	04306969	4	guide
59	04331573	1	lever
64	01126748	1	nut bm8 d439 ISO 004035- M 8 -04-A4C BM 8 DIN 439-04 A4C
71	01112299	2	screw m 8 x 12, d933 ISO 004017-M 8 X 12 - 8.8-A4C M 8X12 DIN 933-8.8 A4C
72	02302205	1	console
73	01112308	2	screw ISO 004017-M 8 X 18 - 8.8-GES CHW. M 8X18 DIN 933-8.8 A4C
74	01112307	2	screw m 8 p.1.25 x 15, d933 ISO 004017-M 8 X 16 - 8.8-A4C M 8X16 DIN 933-8.8 A4C
75	01112326	4	screw m 8 x 22

Section: BUILT-ON ACCESSORIES
RETROREFLECTOR

**DEUTZ
FAHR** RÜCKSTRAHLER
REAR REFLECTOR
CATAPHOTE
OJO DE GATO / REFLEC

1001- 68 503 5282

Fig.	Code	QTY	Name
1	02306921	2	consolle
2	03351864	2	reflector
3	01103316	4	screw m 6 p.1.0 x 16 ISO 004017-M 6 X 16 - 8.8-A4C
4	01112813	4	nut m 6 DIN 000934-M 6 - 8-A4C
6	01133726	4	washer 13 DIN 009021-13 -140HV-A4C
7	02381955	2	consolle

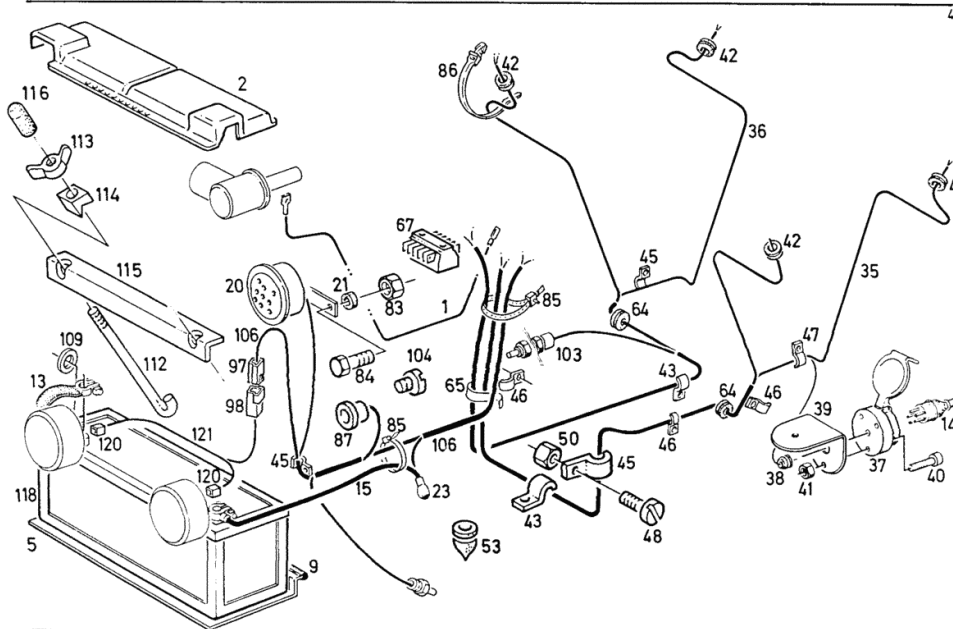


Section: ELECTRIC AL SYSTEM
ELECTRICAL EQUIPMENT FRONT

Fig.	Code	QTY	Name
			DEUTZ 1
65	02304486	2	cab.terminals
67	01169436	1	connection H 007677-F 6,3-1X48
83	01112824	1	nut m 8, d934
84	01112322	1	ISO 004032-M 8 - 8-A4C
			screw m 8 p.1.25 x 20
			ISO 004017-M 8 X 20 - 8.8-A4C
85	01172065	9	clamp 4.6 x 146
			H 007672-G 146X 4,6
86	01164749	4	band
			H 007672-F 6,5-200X 4,6
87	01169028	2	tube H 007565- K 6
97	01238024	1	socket H 007642-NH6,3-4
98	01230759	1	box H 007642-NS6,3-4
103	01175755	1	switch
104	01100595	1	screw m 5x8 ISO 007045-M 5X 8 - 4.8-H -A4 C
			04375719
			106
			01138374
			109
			112
			113
			114
			115
			116
			118
			120
			121
			140

DEUTZ FAHR
 ELEKTR. AUSRÜSTUNG
 ELECTR. EQUIPMENT
 EQUIPEMENT ELECTR.
 EQUIPO ELECTRICO

1001-49 503 5087



Section: ELECTRIC AL SYSTEM
WORKING SPOTLIGHT

DEUTZ FAHR	ARBEITSSCHEINWERFER	HALOGEN
	WORKLAMP	HALOGEN
	PHARE DE TRAVAIL	AIODE
	FARO DE TRABAJO	HALOGENO

1001-49 503 5098

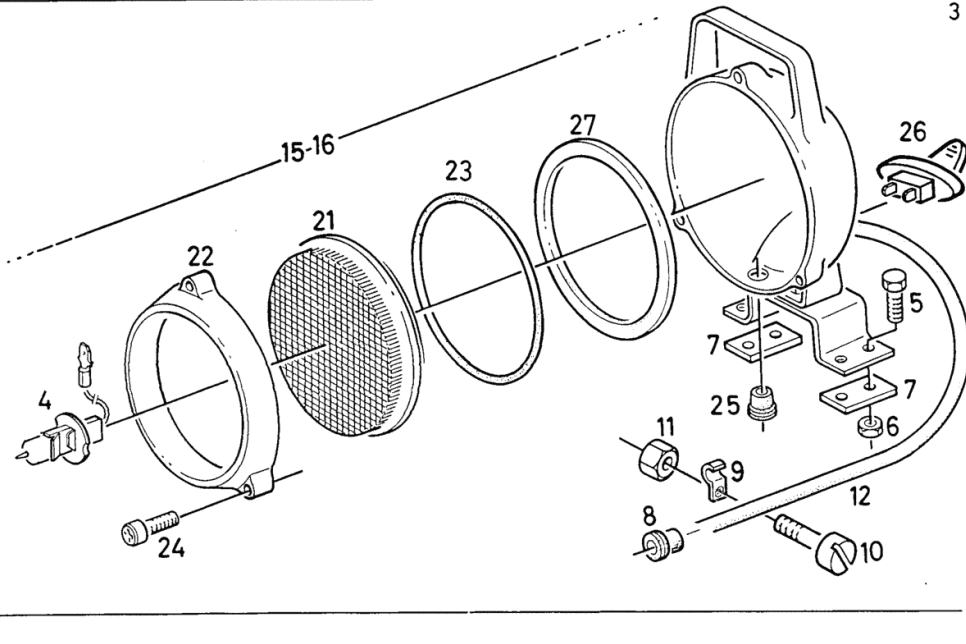


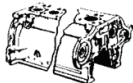
Fig.	Code	QTY	Name
4	01102258	1	lamp H3 DIN 072601-YC 12V 55 W
5	01112322	4	screw m 8 p.1.25 x 20 ISO 004017-M 8 X 20 - 8.8-A4C
6	01112824	4	nut m 8, d934 ISO 004032-M 8 - 8-A4C
7	03390246	2	washer
8	01167421	1	rubber bushing H 002928-D 8 X11 X 2 -GI DEUT Z 1
9	01101603	1	clamp DIN 072571- 1X 5-ST FE/ZN12CC
10	01119629	1	screw m 4.0 x 12 ISO 007045-M 4X 12 - 4.8-H -A 4C
11	01112796	1	stop m4 d934 ISO 004032-M 4 - 8-A4C
12	02335403	1	tube
15	04308197	1	headlight WITHOUT ITEM...
16	04313961	1	26 lamp BESTEHEND AUS POS..... 21-26
21	04311815	1	reflector
22	04311816	1	ring
23	04311817	1	'o' ring
24	01175672	3	screw H 002093- 7981-ST3,9X19 -C -H
25	04311819	1	rubber ring
26	04311820	1	switch
27	04353596	1	ring

Section: ENGINE
BLEEDING TUBE

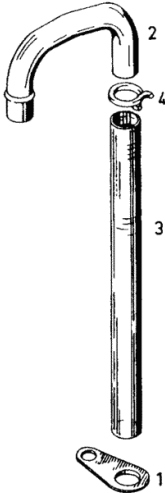
Fig.	Code	QTY	Name
1	02101292	1	rotor blade FOR MOTORS WITH HYDRAULIC PUMP
2	02101937	1	tube
3	01388826	0	flexible hose H 007761-A25 X31 400 MM LG
4	01163942	1	clamp H 000735-SK 34



Entkütung
Breather
Event
Ventilación



0150-01-500 3333



Section: ENGINE
OIL PAN

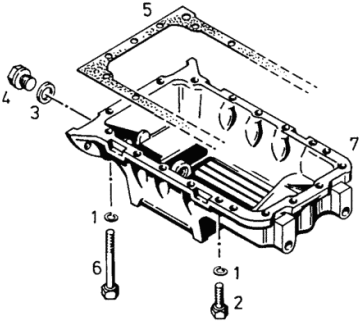
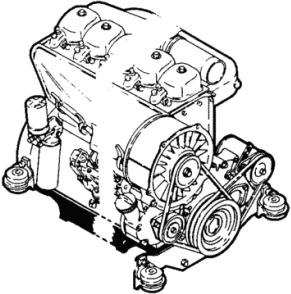
Fig.	Code	QTY	Name
1	01102799	19	washer 8, d128 DIN 000128-A 8 -FST -A4C
2	01112333	16	screw m 8 x 25, d933 ISO 004017-M 8 X 25 - 8.8-A4C
3	01118736	1	'o' ring DIN 007603-A 22 X 27 -AL
4	01118980	1	plug m 22 x 1.5 DIN 007604-AM22X1,5 -ST-A4C
5	03362573	1	gasket
6	01111212	3	screw DIN 000931- M 8 X110 - 8.8-ZN PHRF
7	02131611	1	oil pan OELSUMPF SCHWUNGRADSEITIG



Ölwanne
Oil pan
Carter d'huile
Sumidero de aceite



0150-02-500 6732

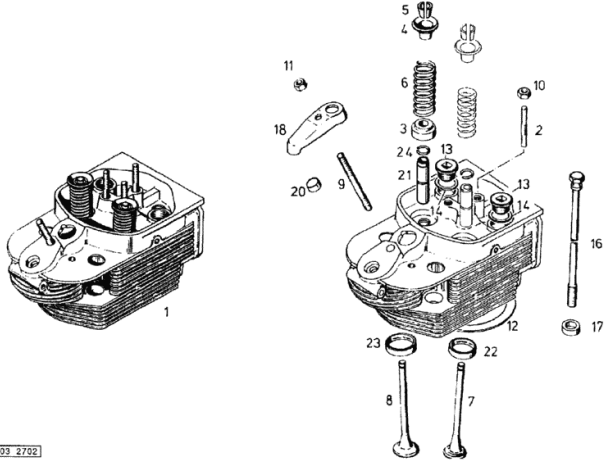


Section: ENGINE
CYLINDER HEAD

Fig.	Code	QTY	Name
1	02237310	1	engine head WITH ITEM BEI ERSATZ POS.12 MITLIEFERN MIT ROTOCAP
2	01124753	3	screw m8-sn4x55 DIN 000835-M 8 SN4X 55 - 8.8-A4C
3	02131029	1	device
4	03371748	2	cup
5	01168817	4	stop H 007020- 8
6	03369305	2	spring
7	04153697	1	exhaust valve
8	04153631	1	inlet valve
9	01135976	1	screw m10sn4x65 DIN 000835-M10 SN4X 65 - 6.8-A4C
10	01112824	3	nut m 8, d934 ISO 004032-M 8 - 8-A4C
11	01102659	1	nut m 10, d934 DIN 000934-M10 - 8-A4C
12	02235784	1	ring
13	02136596	2	plug FUER EIN-U.AUSLASS
14	01118760	2	gasket 26x31 DIN 007603-A 26 X 31 -CU
16	02101681	4	screw
17	03371666	4	flat washer
18	02137591	1	bracket
20	02137580	1	washer
21	02232528	2	valve guide NORMAL 15.00 MM RD (0.5906 IN.) OVERSIZE STEP ITEM. 950-951
22	02137306	1	ring mm 40.16 F.OUTL.NORMAL 40.16 MM RD (1.5811 IN.) OVERSIZE STEP ITEM. 952-954
23	02137302	1	ring F.EINL.NORMAL 45,66MM RD (1.7976 IN.) OVERSIZE STEP ITEM. 955-957
24	01215500	4	circlip
950	02233020	2	valve guide 1. OVERSIZE

ETL-Nr.: 0503 2702 Zylinderkopf

DEUTZ®
DEPIC © 07.02



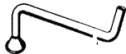
0503 2702

Section: ENGINE
OIL SUCTION PIPE

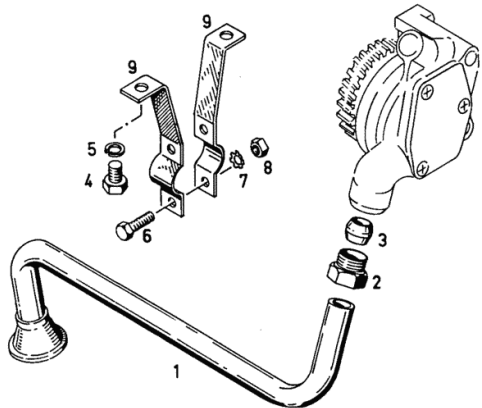
Fig.	Code	QTY	Name
1	02165716	1	primer BEI OELSUMPF SCHWUNGRADSEITIG
2	01216500	1	screw
3	01216512	1	ring
4	01112299	2	screw m 8 x 12, d933
5	01102799	2	ISO 004017-M 8 X 12 - 8.8-A4C washer 8, d128
6	01103316	2	DIN 000128-A 8 -FST -A4C screw m 6 p.1.0 x 16
7	01117861	2	ISO 004017-M 6 X 16 - 8.8-A4C washer
8	01112813	2	DIN 006797-A 6,4 nut m 6
9	03363064	2	DIN 000934-M 6 - 8-A4C hose clip



Schmierölsaugleitung
Lube oil suction pipe
Tuyau d'aspiration d'huile
Tubería de aspiración de aceite lubricante



0150-16-500 6735

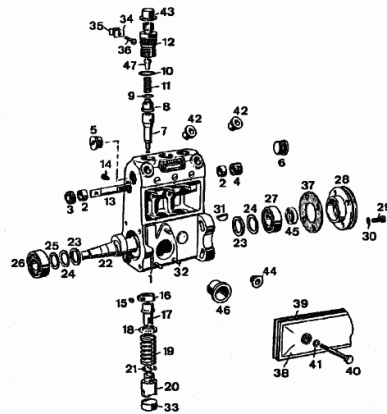


Section: ENGINE

INJECTION PUMP COMPONENT PARTS

Fig.	Code	QTY	Name
35	01298643	2	small block
36	01104381	2	screw ISO 001207- M 6 X 28- 4.8- A4 C
37	01310642	1	gasket
38	01308513	1	cover
39	01308798	1	gasket
40	01288170	2	screw
41	01118641	2	ring a 6x10 d7603 DIN 007603-A 6 X 10 -CU
42	01308045	2	tube
43	01308185	3	tube
44	01289829	1	tube
45	01308512	1	dust guard BEFORE MOUNTING THE PUMP REMOVE DUST GUARD
46	01308390	1	tube
47	01304679	3	filler
950	01288319	0	crown wheel mm 22.70 KOPFKREIS D.22,70 MM S.POS. 16
951	01287998	0	washer mm 0.12 0,12 MM S.POS.24
952	01287999	0	washer mm 0.14 0,14 MM S.POS.24
953	01288000	0	washer mm 0.16 0,16 MM S.POS. 24
954	01288001	0	shim mm 0.18 0,18 MM S.POS. 24
955	01288002	0	washer mm 0.50 0,50 MM S.POS. 24
956	01288002	0	washer mm 0.50 1,00 MM S.POS. 24
957	01287999	0	washer mm 0.14 0,30 MM S.POS.24

ETL-Nr.: 0502 8908 Teile Zur E.Pumpe

DEUTZ®
DEPIC © 07.02

0502 8908

LOST PRODUCT RECOVERY TANK

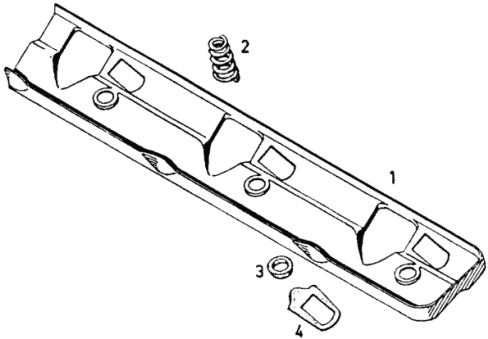
Fig.	Code	QTY	Name
1	02232283	1	casing
2	02232287	3	spring
3	02232288	3	gasket
4	02232289	3	gasket



Leckölwanne
 Leak oil sump
 Reservoir des fluides d'huile
 Tanque de combustible sobrante




0150-21-502 2284



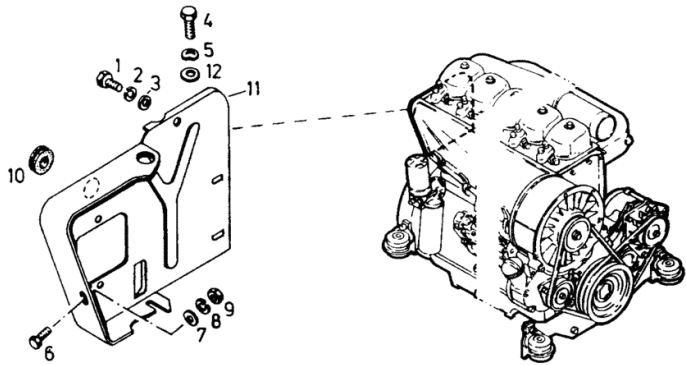
Section: ENGINE
AIR DUCT WALL

Fig.	Code	QTY	Name
1	01112240	1	screw m 6 x 12 ISO 004017-M 6 X 12 - 8.8-A4C
2	01102797	1	washer 6, d128 DIN 000128-A 6 -FST -A4C
3	01215850	1	washer
4	01112307	1	screw m 8 p.1.25 x 15, d933 ISO 004017-M 8 X 16 - 8.8-A4C
5	01102799	1	washer 8, d128 DIN 000128-A 8 -FST -A4C
6	01112240	1	screw m 6 x 12 ISO 004017-M 6 X 12 - 8.8-A4C
7	01107095	1	washer 6.4 DIN 000125-A 6,4-140HV-A4C
8	01102797	1	washer 6, d128 DIN 000128-A 6 -FST -A4C
9	01112813	1	nut m 6 DIN 000934-M 6 - 8-A4C
10	01167425	1	rubber bushing H 002928-D13,5 X17 X 1,5-GI D DEUTZ 1
11	02236167	1	division
12	01107101	1	washer 8.4 DIN 000125-A 8,4-140HV-A4C


 Standblech
 Stay plate
 Tôle verticale
 Chapa vertical



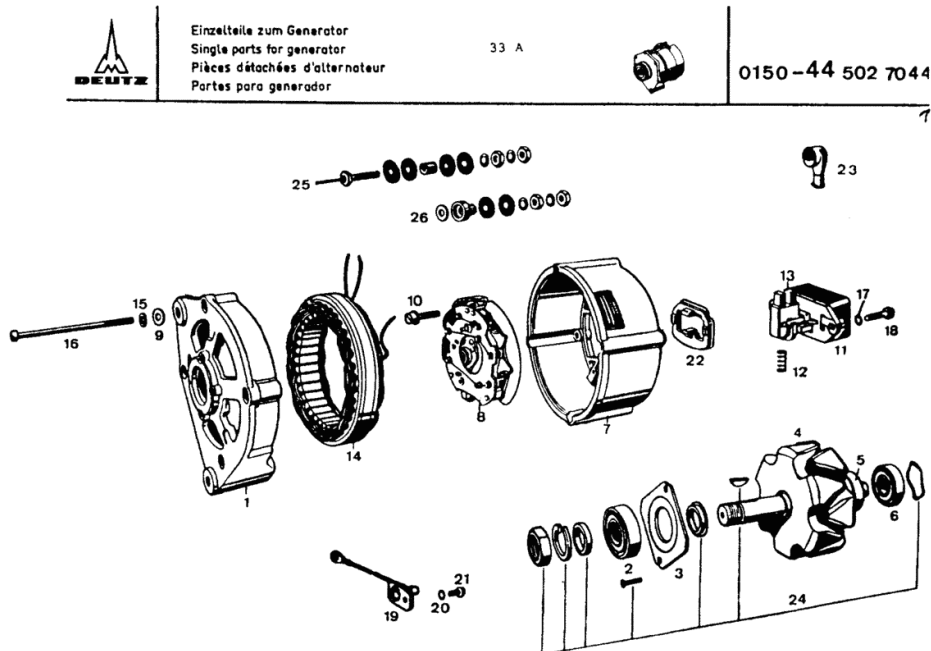
0150-40-501 6360



Section: ENGINE

GENERATOR COMPONENT PARTS

Fig.	Code	QTY	Name
1	01308012	1	bearing
2	01136912	1	ball bearing DIN 000625- 6203-2RS C3
3	01308014	1	support
4	01308456	1	impeller
5	01308457	1	ring
6	01138500	1	ball bearing DIN 000625- 6001-2RS C3
7	01308096	1	bearing
8	01306533	1	diode
9	01107544	3	washer 5,3x10x1,0 DIN 000433- 5,3-140HV-A4C
10	01306413	3	screw
11	01177496	1	regulator H 822111- AH -14V 33A
12	01306481	2	spring
13	01307794	1	brush
14	01308455	1	u bolt
15	01102796	3	ring 5 DIN 000128-A 5 -FST -A4C
16	02985171	3	screw
17	01126724	2	spring disc DIN 000137-B 4-FST-A4C
18	01123576	2	screw ISO 001207- M 4 X 18- 4.8- A4 C
19	01306556	1	diode
20	01126725	1	spring disc DIN 000137-B 5-FST-A4C
21	01105522	1	screw ISO 001207- M 5 X 10- 4.8- A4 C
22	01306558	1	chassis frame
23	01169028	2	tube H 007565- K 6
24	01308019	1	parts set ROTOR
25	01308020	1	parts set FOR CLAMP B+
26	01308021	1	parts set FOR CLAMP D+



DRIVEN FRONT AXLE

Fig.	Code	QTY	Name
268	02311179	1	pin
269	04316524	1	box
270	04343461	1	valve
271	02339175	1	'o' ring
272	01118754	1	H 002927- 18,64X 3,53 -NBR 70 gasket DIN 007603-A 24 X 32 -CU

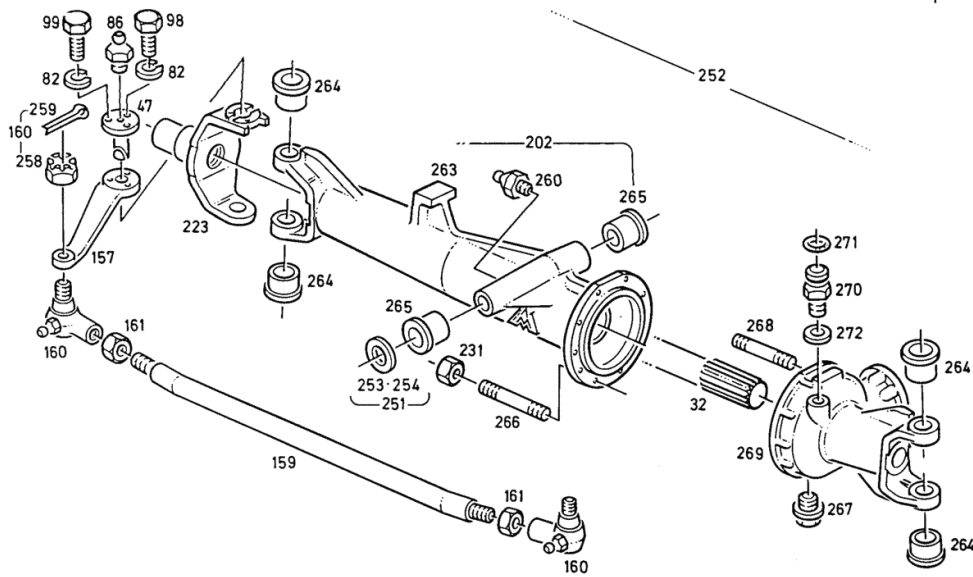


GETRIEBENE LENKACHSE
DRIVEN AXLE
ESSIEU DIRECTEUR
EJE MOTRIZ

ACHSBRÜCKE
AXLE BRACKET
PONT ESSIEU
PUENTE EJE

SIGE 3500

1005-28 503 5046



CLICK HERE TO **DOWNLOAD** THE COMPLETE MANUAL

- Thank you very much for reading the preview of the manual.
- You can download the complete manual from: www.heydownloads.com by clicking the link below



- Please note: If there is no response to CLICKING the link, please download this PDF first and then click on it.

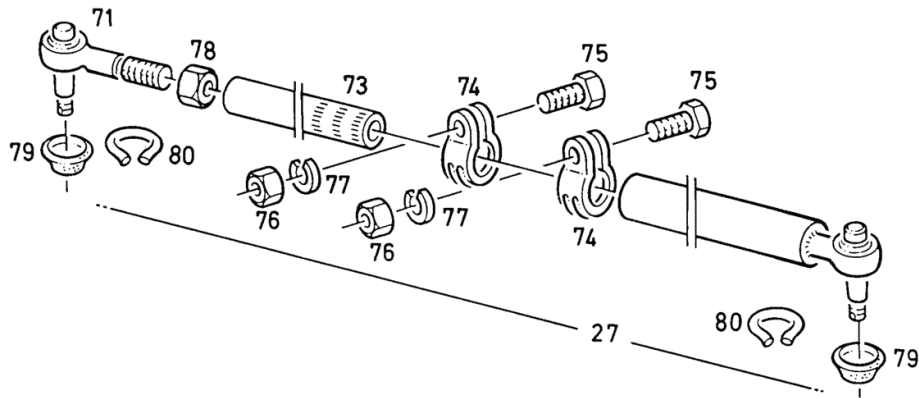
CLICK HERE TO **DOWNLOAD** THE COMPLETE MANUAL

TRACK ROD TELESCOPIC AXLE

Fig.	Code	QTY	Name
27	02382761	1	rod
71	02381195	1	ball joint
73	02334603	1	rod
74	02334604	2	clamp
75	01112451	2	screw m 10 p.1.5 x 45 DIN 000933-M10 X 45 - 8.8-A4C
76	01102659	2	nut m 10, d934 DIN 000934-M10 - 8-A4C
77	01102800	2	washer 10.2 DIN 000128-A 10 -FST -A4C
78	01113178	1	nut DIN 000936-M16X1,5 -22H
79	02334605	2	tube
80	02335203	2	circlip

DEUTZ FAHR
 SPURSTANGE MECH. LENKUNG
 TRACK ROD MECH. STEER. SYSTEM
 BARRE ACCOUPLEMENT DIRECTION MEC.
 BIELA ANCHO RODAD. DIRECC. MECANICA

1001-37 503 5182



D07 4507

GEARBOX, CLUTCH

Clutch

STOPPING LEVER.....	12.02.2
DOUBLE COUPLING.....	12.02.3
DOUBLE COUPLING.....	12.02.4

Clutch control assy.

OPERATION - P.T.O. SHAFT - REAR.....	12.03.1
OPERATION - P.T.O. SHAFT - REAR.....	12.03.2

Transmission

GEARBOX.....	12.08.3
--------------	---------

Clutch housing, Control units for gearbox, Intermediate gear

CLUTCH HOUSING.....	12.09.4
---------------------	---------

Change-speed gearbox, Contr. hydr. front whell drive, Contr. hydr./diff. lock, Control assy. hydr. PTO shaft, rear

GEAR CHANGE BOX.....	12.11.4
GEAR CHANGE BOX.....	12.11.5
TRANSMISSION SHAFT.....	12.11.6
MAIN SHAFT.....	12.11.7
TRANSMISSION SHAFT.....	12.11.8
MAIN SHAFT.....	12.11.9
TRANSMISSION SHAFT.....	12.11.10
MAIN SHAFT.....	12.11.11
UNDERDRIVE.....	12.11.12
GEAR CHANGE BOX.....	12.11.52

Control assy intermediate gear, Gearshift assembly

GEAR SHIFTING.....	12.12.1
GEAR SHIFTING.....	12.12.2
GEAR SHIFTING.....	12.12.3

Control assy. PTO shaft, rear

P.T.O. SHAFT.....	12.14.1
GEAR SHIFTING.....	12.14.2
BLANKING PARTS.....	12.14.3
P.T.O. SHAFT.....	12.14.5

Belt pulley drive

DRIVE.....	12.19.1
DRIVE.....	12.19.2

Change speed gearbox

DRIVE SHAFT.....	12.22.1
DRIVE SHAFT.....	12.22.2

Bevel drive, Intermediateshaft

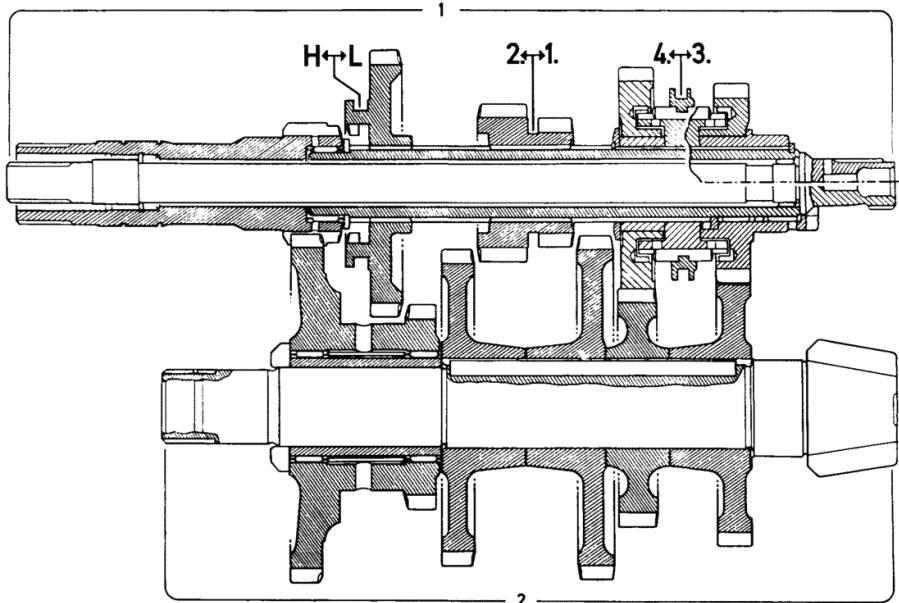
BEVEL WHEEL GEAR.....	12.23.3
INTERMEDIATE SHAFT.....	12.23.4
INTERMEDIATE SHAFT.....	12.23.5

Section: GEARBOX, CLUTCH
GEAR CHANGE BOX

Fig.	Code	QTY	Name
1	00000000	0	not serviceable PART NUMBERS LISTING SHEET 1446-11 503 5309
2	00000000	0	not serviceable PART NUMBERS LISTING SHEET 1446-11 503 5308

**DEUTZ
FAHR**
WECHSELGETRIEBE
TRANSMISSION
BOITE DE VITESSES
CAJA CAMBIO

1446-11 503 5299



Section: GEARBOX, CLUTCH
MAIN SHAFT



WECHSELGETRIEBE
TRANSMISSION
BOITE DE VITESSES
CAJA CAMBIO

HAUPTWELLE
MAIN SHAFT
ARBRE PRINCIPAL
EJE PRINCIPAL

SYNCHRON
SYNCHR.
SYNCHRONISEES
SINCRONIZADO

1446-11 503 5315

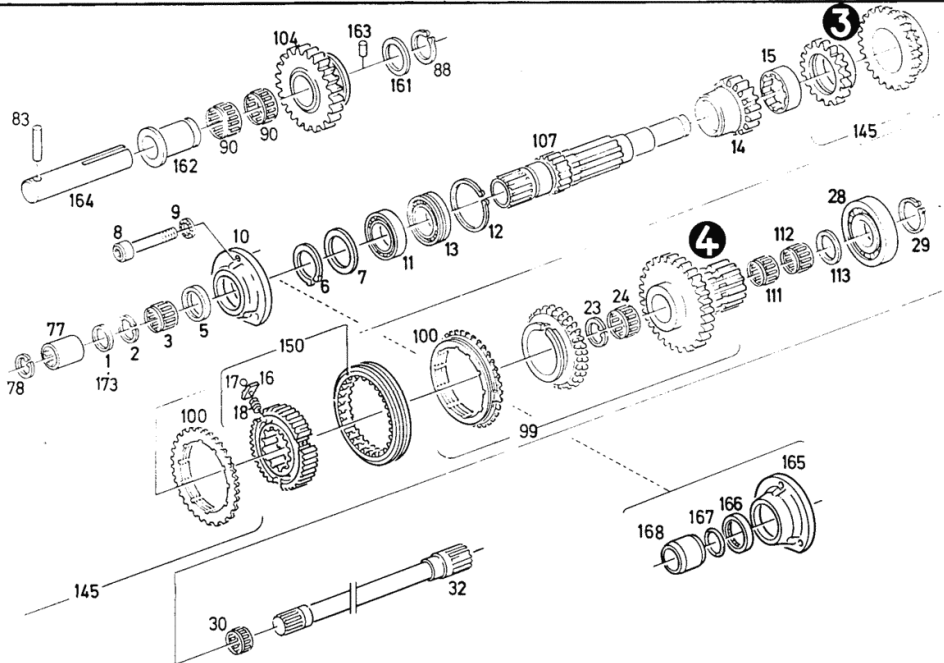


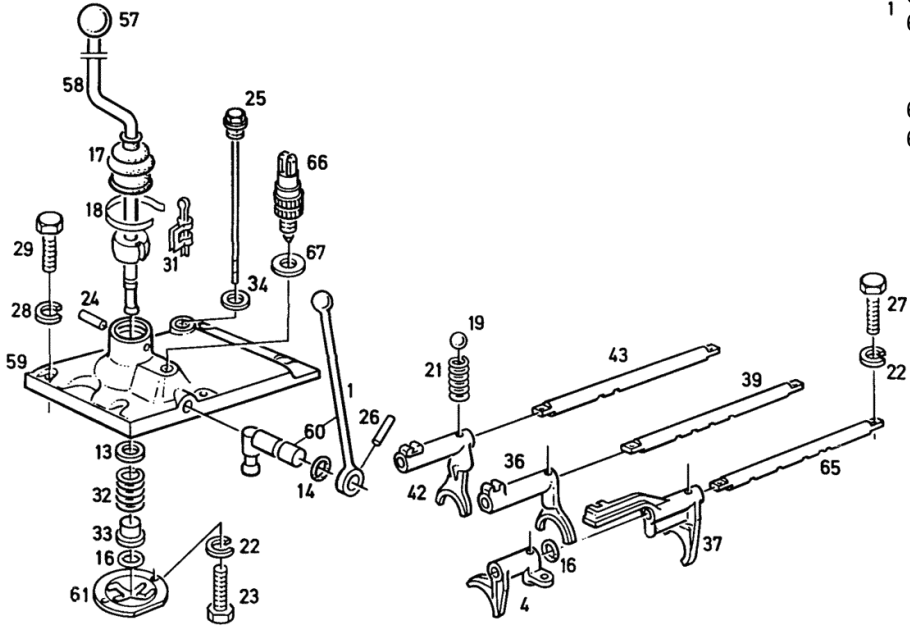
Fig.	Code	QTY	Name
			ISO 008752- 4 X 12
164	04334603	1	pin
165	04311916	1	cover
			FROM FIRST REPLACEMENT UNTIL CHASSIS-AXLE-GEARBOX-SUPPLY WITH NO.ITEM..
			7548/2994+7868/1843
			166
166	01172885	1	'o' ring
167	01164510	1	'o' ring
168	04311915	1	ring
173	01172882	1	'o' ring
			H 002927- 40 X 2,5 -NBR-1-60
950	02302056	0	shim
			A=1,0 MM
951	02302057	0	shim
			A=1,1 MM
952	02302058	0	shim
			A=1,2 MM
953	02302059	0	shim
			A=1,3 MM
954	02302060	0	shim
			A=1,4 MM
955	02302061	0	shim
			A=1,5 MM
956	02302062	0	shim
			A=1,6 MM
957	02302063	0	shim
			A=1,7 MM
958	02381082	0	shim
			A=1,75 MM
959	02381083	0	shim
			A=2,0 MM
960	02381084	0	shim
			A=2,25 MM
961	02381085	0	shim
			A=2,5 MM
962	02381086	0	shim
			A=2,75 MM
963	02381087	0	shim
			A=3,0 MM
964	02381088	0	shim
			A=3,25 MM

Section: GEARBOX, CLUTCH
GEAR SHIFTING

DEUTZ FAHR SCHALTUNG ZUM WECHSELGETRIEBE
GEAR-SHIFT ASSEMBLY
COMMANDE DE BOITE DE VITESSES
MANDO PARA CAMBIO

1445-12 503 5412

Fig.	Code	QTY	Name
42	04338360	1	fork R
43	03391926	1	rod R
57	01163642	1	push-button DIN 000319-L40X14FS-M
58	02329513	1	gear lever
59	02325870	1	cover
60	02332751	1	shaft
61	02332741	1	cap
65	02339263	1	rod GEAR 3+4
66	01262510	1	switch
67	02388144	1	shim



Section: GEARBOX, CLUTCH
DRIVE**DEUTZ
FAHR**RIEMENSCHLEIBENANTRIEB
20 HP BELT PULLEY DRIVE
ENTRAINEMENT DE POULIE
ACCIONAM. POLEA ACANALADA

15 kW / 20 PS

14 24 - 19 503 5206

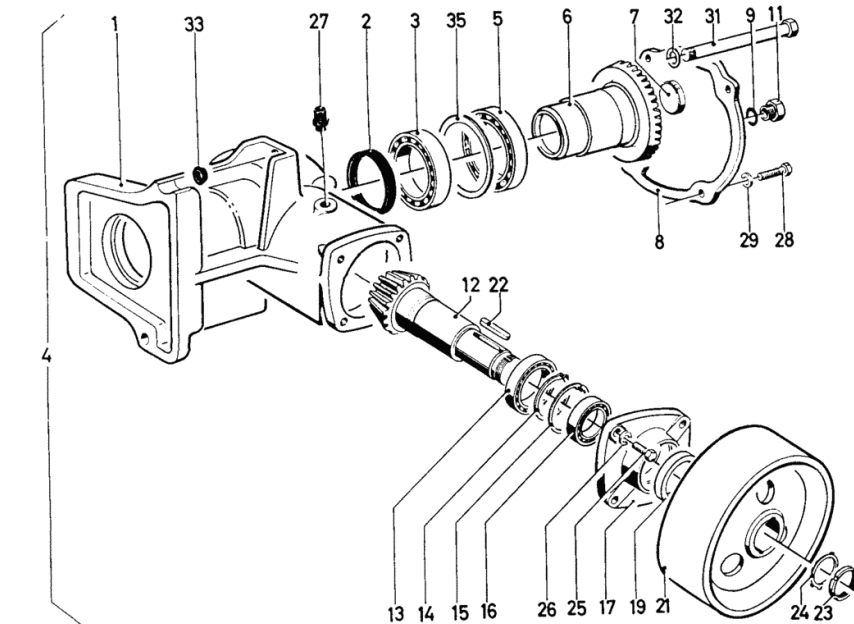


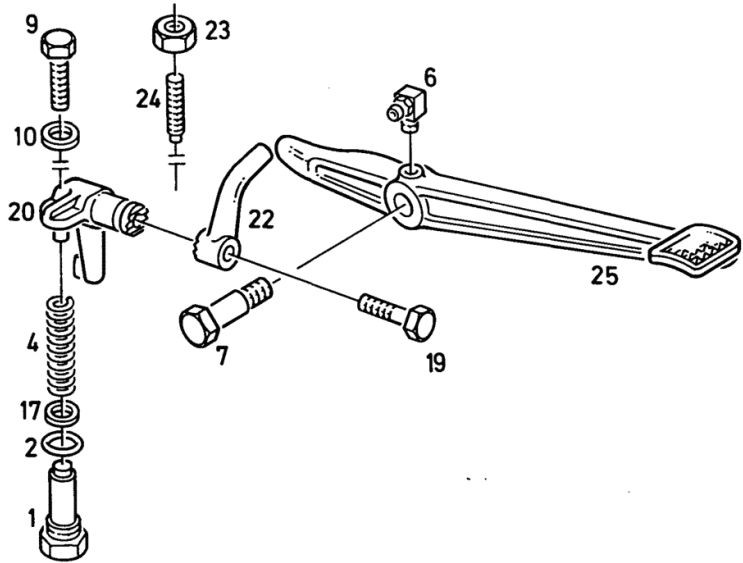
Fig.	Code	QTY	Name
1	03392002	1	body
2	01160678	1	'o' ring H 002940-A 45X 68 X10 -NI
3	01108981	1	ball bearing DIN 000625- 6009
4	03392004	1	belt
5	01109072	1	ball bearing 6210 d625 DIN 000625- 6210
6	03390421	1	planet gear
7	01165836	1	stop H 000711-B40
8	03390433	1	cover
9	01118713	1	washer 18.5 DIN 007603-A 18 X 22 -CU
11	01118970	1	plug m 18 p.1.5 DIN 007604-AM18X1,5 -ST-ZNPHR F
12	03392005	1	pinion
13	01109129	1	ball bearing H 004461-63 07
14	01107748	1	ring 35 x 1.5, d471 DIN 000471- 35X1,5
15	01107844	1	ring 62 x 2 DIN 000472- 62X2
16	01109121	1	ball bearing 6305 d625 DIN 000625- 6305
17	03390419	1	cover
19	01160770	1	'o' ring H 002940-A 40X 62 X12 -NI
21	03392007	1	pulley
22	01118015	2	spring washer DIN 006885-A 8X 5 X 36
23	01167158	1	nut H 002174-M 24X1,5
24	01120660	1	lamination DIN 070952-A 24-ST13
25	01112333	4	screw m 8 x 25, d933 ISO 004017-M 8 X 25 - 8.8-A4C
26	01107101	4	washer 8.4 DIN 000125-A 8,4-140HV-A4C
27	03390428	1	valve
28	01112258	4	screw m 6x18 d933 ISO 004017-M 6 X 18 - 8.8-A4C
29	01102797	4	washer 6, d128

Section: GEARBOX, CLUTCH
DIFF. GEAR LOCK

DEUTZ FAHR AUSGLEICHGETRIEBESPERRE
DIFFERENTIAL LOCK
BLOPAGE DU DIFFERENTIEL
BLOQUEO DEL DIFERENCIAL

1445-25503 5251

Fig.	Code	QTY	Name
1	03392540	1	screw
2	01118737	1	'o' ring 22 x 27 DIN 007603-A 22 X 27 -CU
4	03387604	1	spring
6	01168229	1	pipe fitting H 003360-SC 8
7	03471123	1	pin
9	01112322	1	screw m 8 p.1.25 x 20 ISO 004017-M 8 X 20 - 8.8-A4C
10	01118654	1	'o' ring 8x14 d7603 DIN 007603-A 8 X 14 -CU
17	01151184	1	washer DIN 000433-10,5-200HV
19	01111176	1	screw ISO 004014- M 8 X 70 - 10.9-A 4C
20	02385461	1	lever
22	02385462	1	lever
23	01113135	1	nut DIN 000936-M 8 -17H-ZNPHRF
24	06208949	1	pin DIN 000915-M 8 X 20-45H
25	02321974	1	lever



Section: GEARBOX, CLUTCH
GEAR SHIFTING

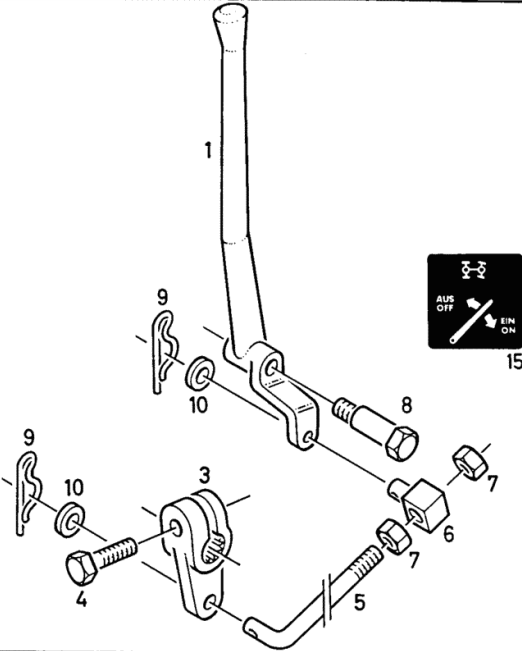
Fig.	Code	QTY	Name
1	04333385	1	gear lever
3	04332840	1	lever
4	01112350	1	screw m 8 x 35 ISO 004017-M 8 X 35 - 8.8-A4C
5	04332844	1	rod
6	02308359	1	universal joint
7	01112858	2	nut m 12, d934 DIN 000934-M12 - 8-A4C
	02325616	1	pin
	03387776	2	pin
	01151185	2	washer
			DIN 000433-13 -200HV
15	04334017	1	plate



BETÄTIGUNG
CONTROL ASSEMBLY
CDE D' ACTIONNEM
ACCIONAMIENTO

VORDERRADANTRIEB
FRONT WHEEL DRIVE
CDE ROUES AV KAT.I
ACCIONAM. RUED. DEL.

1446-26 503 52778



Section: GEARBOX, CLUTCH
DUO-P.T.O. SHAFT

**DEUTZ
FAHR** DUO-ZAPFWELLE
TWO-SPEED PTO SHAFT
PRISE DE FORCE PERMETTANT D OBTENIR 2 REGIMES DE ROTATION
ARBOL TOMA DE FUERZA TIPO DUO

1446-77 503 5402

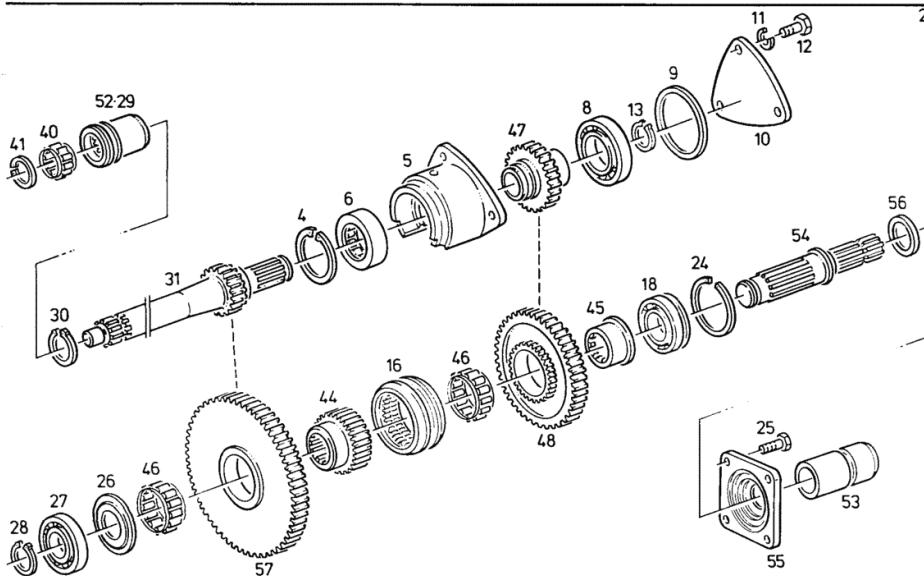


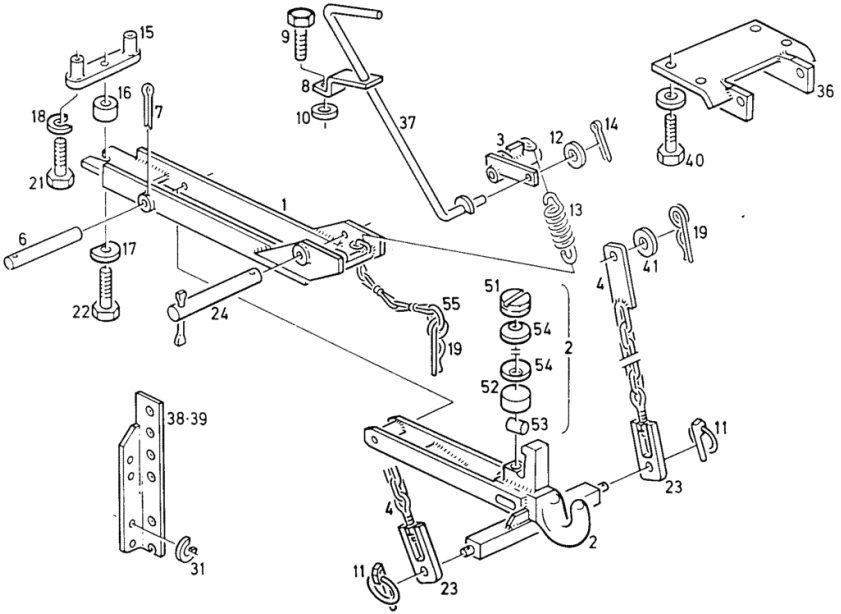
Fig.	Code	QTY	Name
4	01107838	1	circlip DIN 000472- 52X2
5	02307578	1	cover
6	01125674	1	bearing RNU 2205E DIN 005412-RNU 2205 E
8	01109057	1	ball bearing DIN 000625- 6207
9	02301711	0	snoulder INDIVIDUAL PARTS SEE ITEM... 950-955
10	02307582	1	cover
11	01107101	3	washer 8.4 DIN 000125-A 8,4-140HV-A4C
12	01112333	3	screw m 8 x 25, d933 ISO 004017-M 8 X 25 - 8.8-A4C
13	01102356	1	ring DIN 000983- 20X1,2
16	02307589	1	sleeve
18	01109059	1	ball bearing DIN 000625- 6207-N
24	01117455	1	circlip DIN 005417-SP 72
25	01112322	4	screw m 8 p.1.25 x 20 ISO 004017-M 8 X 20 - 8.8-A4C
26	02307592	1	shim
27	01117286	1	roller bearing DIN 005412-NUP 206
28	01218425	1	circlip
29	03392270	1	sleeve
30	01107737	1	ring 25 x 1,2 d471 DIN 000471- 25X1,2
31	02307597	1	transmission shaft
40	01168715	1	workshop tool H 004455-NK 10 X 13X13
41	01167214	1	circlip H 002258- 10X1
44	02307909	1	support
45	02307910	1	bushing
46	01161513	2	bearing H 004455-NK 44 X 50X22
47	02309682	1	bearing Z=22
48	02309683	1	gear Z=47

Section: HITCH
HOOK COUPLING

Fig.	Code	QTY	Name
51	02312792	1	DIN 001440-23-ST50-A4C cover
52	02335414	1	guide
53	03387574	1	roller
54	01116029	12	spring A25, d2093 DIN 002093-A 25 GR2
55	01122852	2	ring DIN 005296-B20X4 -ST

DEUTZ FAHR
 HUBKUPPLUNG
 HITCH - UP
 ACCOUPPL LEVAGE HYD.
 ACOPL. ELEVAC. HIDR.

1926-20 503 5199



Section: HITCH
DRAWBAR COUPLING AUTOM.

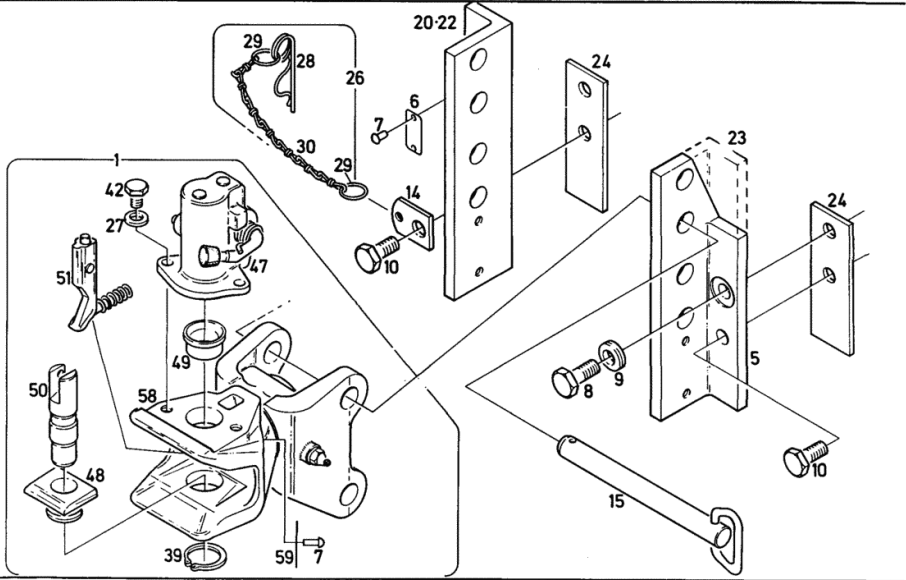
Fig.	Code	QTY	Name
59	04363022	1	plate



AUTOMATISCHE ANHÄNGEKUPPLUNG
AUTOMATIC TRAILER HITCH
DISPOSITIV D'ATTELAGE
ACOPLE PARA REMOLQUES

KU 9562

1211-62504 3579



1

Section: HYDRAULIC SYSTEM
HYDRAULIC PUMP

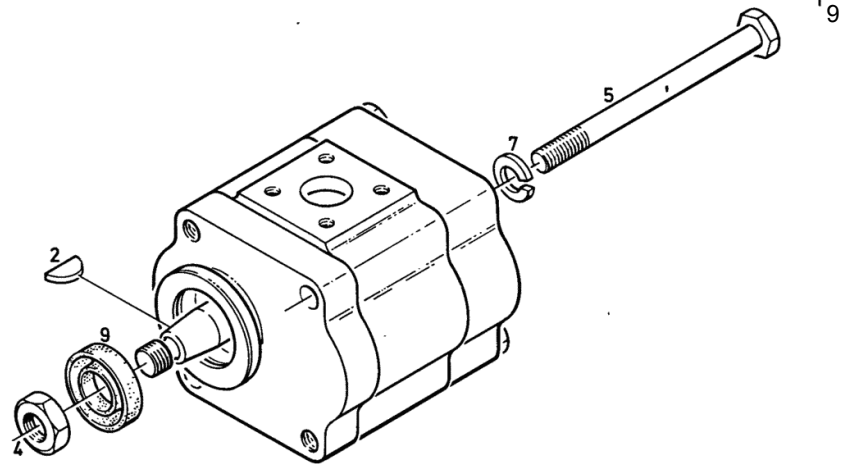
Fig.	Code	QTY	Name
2	01118323	1	key DIN 006888- 3 X 5
4	01262635	1	nut
5	01152358	2	screw DIN 000931- M10 X110 - 10.9-A -OIL SPEED
7	01102800	2	washer 10.2 DIN 000128-A 10 -FST -A4C
8	01263181	1	gasket set
9	01320806	1	'o' ring



HYDRAULIKPUMPE
HYDRAULIC PUMP
POMPE HYDRAULIQUE
BOMBA HIDRAULICA
16 CCM/U (BOSCH)

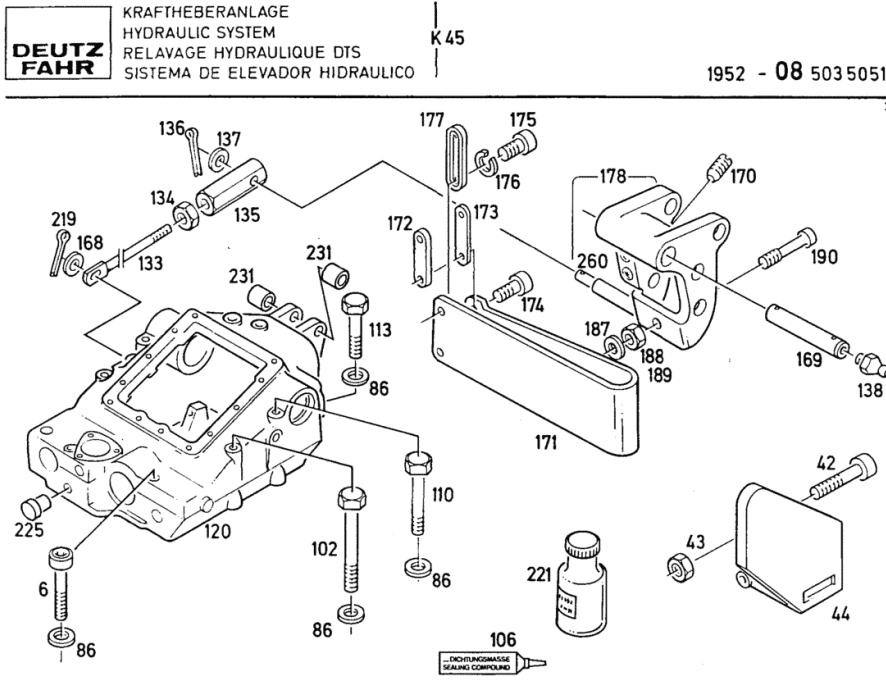
7548/3707
7868/1976

1952-01504 3500



Section: HYDRAULIC SYSTEM
POWER LIFT

Fig.	Code	QTY	Name
6	01124781	2	screw DIN 000912- M14 X130 -10.9-A4 C
42	01110544	2	screw DIN 000912- M 6 X 70 - 8.8-A4 C
43	01133500	2	nut vm 6 d980 DIN 000980-VM 6 - 8-A4C GEWAC HST
44	02323719	1	baffle
86	01174739	8	washer H 000995-14,5X28X 6- 8.8 -A4C
102	01136931	2	screw DIN 000931- M14 X185 - 10.9-A -A4C
106	01400735	0	packaging material H 000699-DEUTZ DW 48- 315 CCM
110	01137093	2	screw DIN 000931- M14 X220 - 10.9-A -A4C
113	01122411	2	screw DIN 000931- M14 X120 - 10.9-A 4C
120	04333874	1	hydraulics housing COMPLETE
133	04310460	1	rod
134	01112852	1	nut m10x1 d934 DIN 000934-M10 X1 - 8-A4C
135	03401303	1	nut
136	01132628	1	split pin 3.2 x 25 DIN 000094- 3,2X 25-ST-A4C
137	01107105	1	washer 10.5 DIN 000125-A10,5-140HV-A4C
138	01168227	2	pipe fitting H 003360-SB 8
168	01107548	20	washer 8.4 DIN 000433- 8,4-140HV-A4C
169	04309907	1	shaft
170	02314780	1	pin
171	03400133	1	spring
172	03400134	1	link
173	03400143	1	shim
174	01137283	2	screw DIN 000912- M12 X 70 -10.9-OE



DEUTZ
FAHR

KRAFTHEBERANLAGE
HYDRAULIC SYSTEM
RELAVAGE HYDRAULIQUE DTS
SISTEMA DE ELEVADOR HIDRAULICO

Section: HYDRAULIC SYSTEM
POWER LIFT

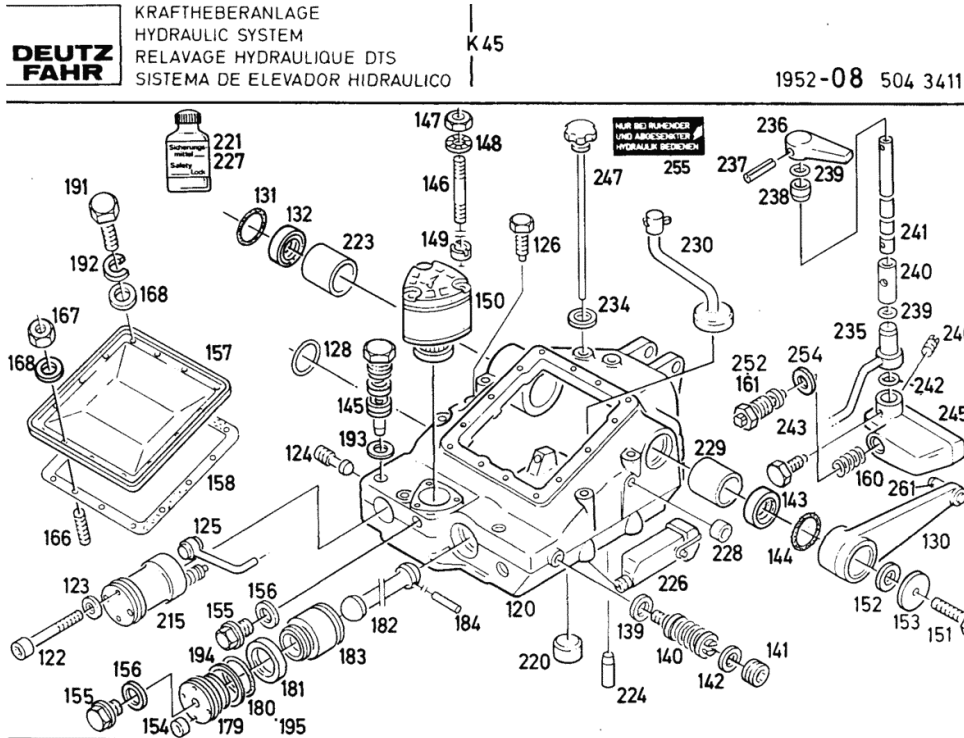


Fig.	Code	QTY	Name
154	01167311	4	bottom 9x7.4x9.5 H 002873-A 9 X 7,4X 9,5-PE WE ICH-SW
155	01118970	2	plug m 18 p.1.5 DIN 007604-AM18X1,5 -ST-ZNPHR F
156	01118713	2	washer 18.5 DIN 007603-A 18 X 22 -CU
157	03401288	1	cover
158	03401287	1	gasket
160	03401282	1	spring
161	04305504	1	valve UP TO CHASSIS-NO. FROM CHASSIS- FRAME NO....ITEM ... 7548/3613+7868/1963 252+254
166	01153348	4	screw DIN 000939-M 8 X 25 -10.9-OEL GESCHW.
167	01112824	4	nut m 8, d934 ISO 004032-M 8 - 8-A4C
168	01107548	20	washer 8.4 DIN 000433- 8,4-140HV-A4C
179	04350091	1	plug ON FIRST REPLACEMENT SUPPLY WITH ITEM.... SUPPLY ITEM. 195
	01161642	1	'o' ring H 002927- 74 X 3 -NBR-1-80 UP TO CHASSIS-NO. FROM CHASSIS- FRAME NO....ITEM ... 194+195
181	03400147	1	'o' ring
182	03401295	1	rod
183	03471284	1	piston
184	01123860	1	pin ISO 008752- 5 X 70
191	02331564	1	screw
192	01112299	10	screw m 8 x 12, d933 ISO 004017-M 8 X 12 - 8.8-A4C
193	04349804	1	washer A=0,25 MM
194	04353149	1	ring
195	04353151	1	ring

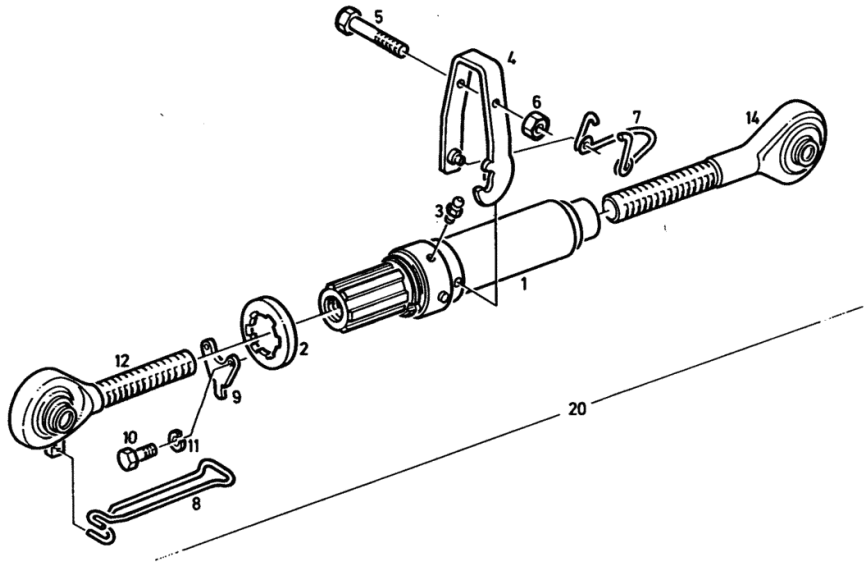
Section: HYDRAULIC SYSTEM
TELE-UPPER LINK

Fig.	Code	QTY	Name
1	02378617	1	tensioner
2	02378618	1	tube
3	01168224	1	lubricator m 6 H 003360-SA 6
4	02378273	1	lever
5	01111096	1	screw m6x90 d933 ISO 004014- M 6 X 90 - 8.8-GE SCHW.
6	01133500	1	nut vm 6 d980 DIN 000980-VM 6 - 8-A4C GEWAC HST
7	02378235	1	spring
8	04323968	1	spring
9	02378619	1	plate
10	01103999	2	screw m5x16 d933 ISO 004017-M 5 X 16 - 8.8-A4C
11	01102796	2	ring 5 DIN 000128-A 5 -FST -A4C
12	02378621	1	ferrule LEFT
14	02378620	1	ferrule RIGHTS
20	02378577	1	3 point hitch

DEUTZ FAHR TELESKOP - OBERLENKER
TOP LINK, TELESCOPIC
BRAS SUPERIEUR, TELESCOPIQUE
GUIA SUPERIOR, TELESCOPICA

KAT. I/I

1904-17 501 5844



INTERMEDIATE DEVICE I - VALVE SEALED

DEUTZ FAHR
 ZWISCHENGERÄT
 INTERMEDIATE UNIT
 DISTRIBUTEUR INT.
 APTO. MANDO INTERM.

DEUTZ

DOPPELT WIRKEND
 DOUBLE - ACTING
 A DOUBLE EFFET
 DE DOBLE EFECTO

1804-40 503 5270

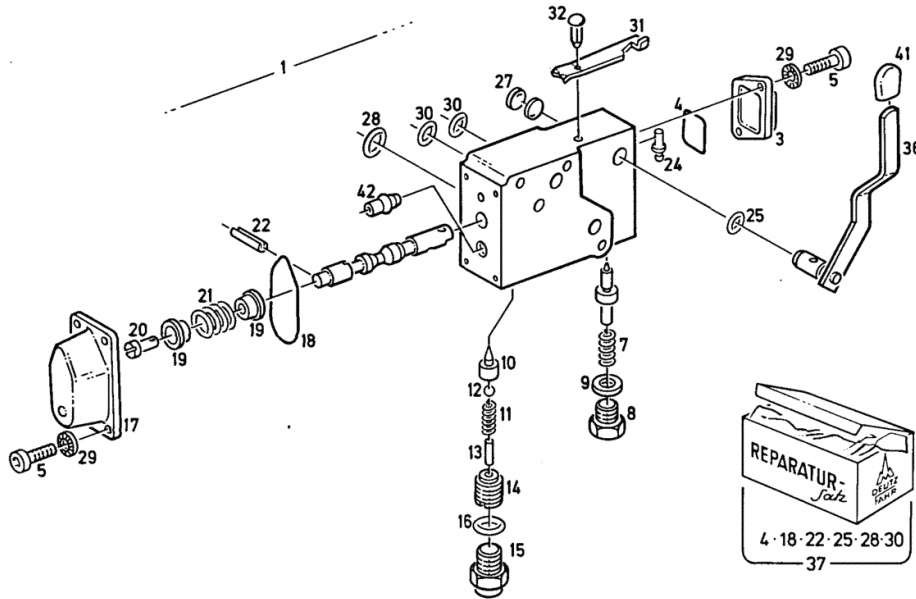



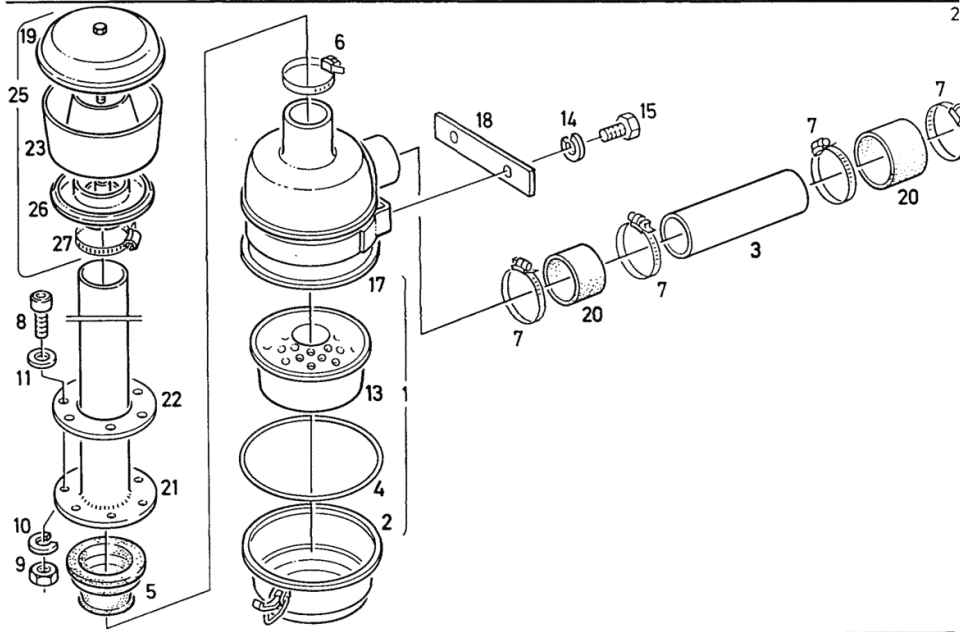
Fig.	Code	QTY	Name
1	02333730	1	distributor
3	03401349	1	cover
4	03401351	1	gasket
5	01152810	6	screw DIN 000912- M 5 X 16 -10.9
7	03401344	1	spring
8	01152105	1	screw DIN 007604-AM12X1,5 -5.8
29	01118673	1	'o' ring DIN 007603-A 12 X 15,5-CU
10	03401358	1	valve
11	03401360	1	spring
12	01123958	2	ball DIN 005401- 4,500MM-III
13	01101402	1	cylindrical plug ISO 008734- 4 X 14-A-ST
14	03401359	1	pin
15	01102346	1	nut H 002159- M14X1,5-8-A4C
16	01118688	1	ring 14x17 DIN 007603-A 14 X 18 -CU
17	03401348	1	cover
18	03401350	1	gasket
19	03401345	2	cup
20	03401340	1	pin
21	03401343	1	spring
22	01115405	1	pin ISO 008752- 3 X 12
24	02311920	1	pin
25	01169761	1	'o' ring H 002927- 10 X 2 -NBR-1-70
27	01102347	2	washer DIN 000470- 14-ST-A4C
28	04303433	1	'o' ring
29	01167193	6	ring H 002203- 5
30	04305924	2	'o' ring
31	03401352	1	spring
32	01115333	1	self tapping screw ISO 008746- 6 X10-ST -A4C
36	02333721	1	shaft
37	04306985	0	sub-assy parts BESTEHEND AUS POS..... 4,18,22,25,28,30

Section: MOTOR SUPPLY
OILBATH AIR FILTER

Fig.	Code	QTY	Name
1	02102239	1	filter
2	02102528	1	oil pan
3	01400680	1	spacer DIN 002393- 70 X 1 X139 -S ST 2 NBK
4	02102529	1	gasket
5	02338083	1	boot
6	01166407	1	hose clip H 000735-S 74 X 15
7	01166417	4	hose clip H 000735-S 80 X 15
8	01105537	6	screw am6x16 d84 ISO 001207- M 6 X 16- 4.8- A4 C
9	01112813	6	nut m 6 DIN 000934-M 6 - 8-A4C
10	01102797	6	washer 6, d128 DIN 000128-A 6 -FST -A4C
11	01107095	12	washer 6.4 DIN 000125-A 6,4-140HV-A4C
13	02102530	1	shield
14	01107101	2	washer 8.4 DIN 000125-A 8,4-140HV-A4C
15	01112322	2	screw m 8 p.1.25 x 20 ISO 004017-M 8 X 20 - 8.8-A4C
17	03363506	1	consolle
18	02370852	1	shim
19	02315447	1	cover
20	01165397	2	rubber sleeve H 000650-A 70X 80X 65
21	02379157	1	tube
22	04306655	1	flange
23	02315448	1	body
25	04345068	1	precleaner
26	04345198	1	tongue
27	04345199	1	bracket


 ÖLBADLUFTFILTER MIT ANSAUGUNG VON OBEN
 OIL BATH AIR CLEANER WITH INTAKE STACK
 EPURATEUR D'AIR A BAIN D'HUILE A ASPIRATION D'EN HAUT
 FILTRO DE AIRE EN BANO DE ACEITE, ADMISION DESDE ARRIBA

1003-43 503 5072



CLICK HERE TO **DOWNLOAD** THE COMPLETE MANUAL

- Thank you very much for reading the preview of the manual.
- You can download the complete manual from: www.heydownloads.com by clicking the link below



- Please note: If there is no response to CLICKING the link, please download this PDF first and then click on it.

CLICK HERE TO **DOWNLOAD** THE COMPLETE MANUAL