




MANITOU

HANDLING YOUR WORLD

**GENUINE PARTS CATALOGUE
CATALOGUE PIÈCES D'ORIGINE
ORIGINAL ERSATZTEILKATALOG
CATALOGO DE PIEZAS LEGITIMAS
CATALOGO RICAMBI ORIGINALI**

This document has been printed from  **mye doc**

MANITOU BF

Head office: 430, Rue de l'Aubinière
44150 Ancenis - FRANCE
Share capital: 39,548,949 euros
857 802 508 RCS Nantes
Tel: +33 (0)2 40 09 10 11
www.manitou.com

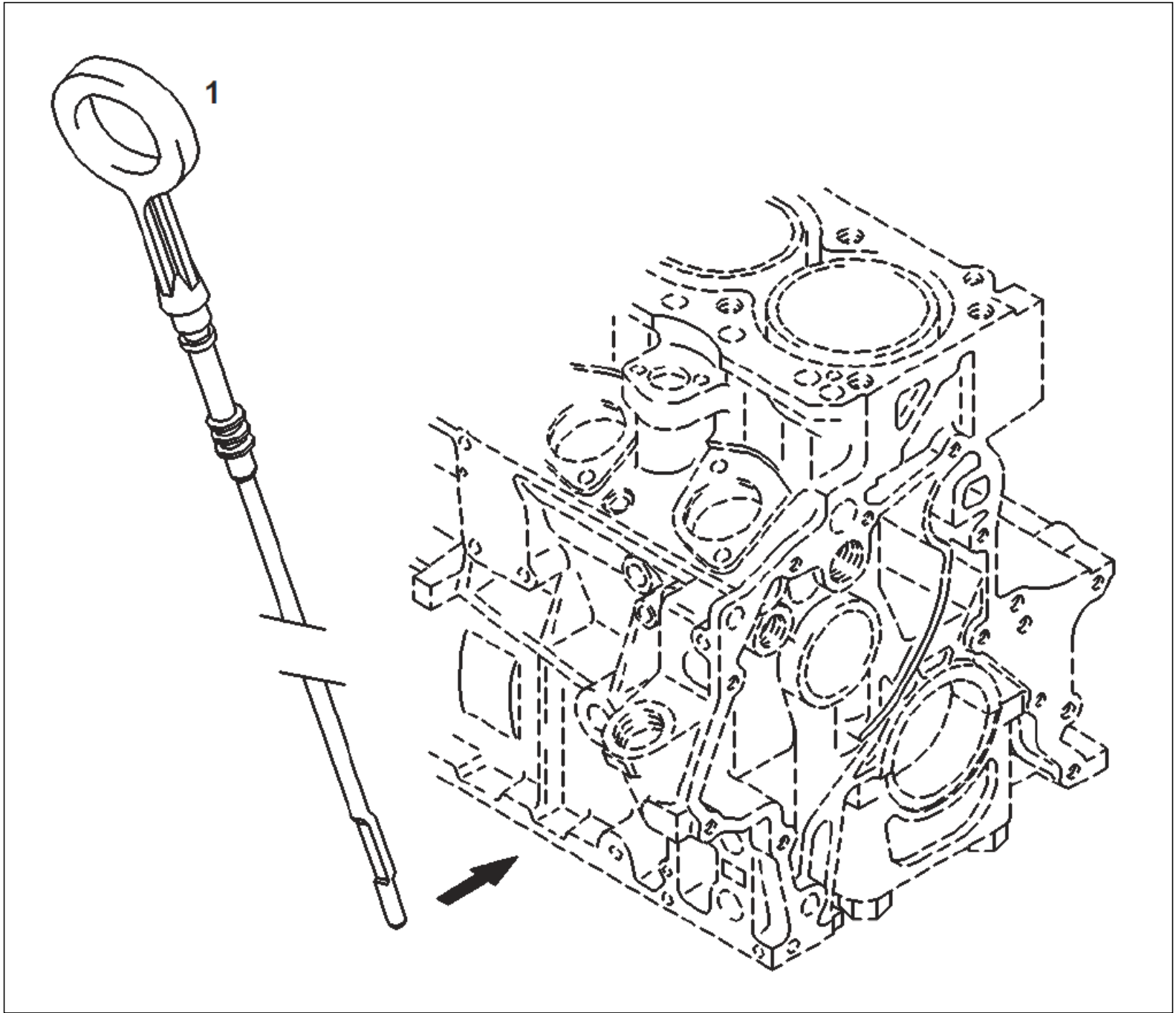
CLICK HERE TO **DOWNLOAD** THE COMPLETE MANUAL

- Thank you very much for reading the preview of the manual.
- You can download the complete manual from: www.heydownloads.com by clicking the link below



- Please note: If there is no response to CLICKING the link, please download this PDF first and then click on it.

CLICK HERE TO **DOWNLOAD** THE COMPLETE MANUAL



Item	Part No.	Name	Characteristics	Qty	Superseded PartNumber	Machine applicability
1	187145	PAN/OIL (INCLUDES ITEMS 2-6)		1		
1	187100	PAN/OIL (INCLUDES ITEMS 2-6)		-		
2	187276	PLUG		1		
3	133138	RING/SEALING 22X27MM		1		
4	133137	Ring/Sealing M18x24mm Deutz #011		3		
5	133149	PLUG/SCREW M18X1.5MM		2		
6	187271	PLUG/SCREW		1		
7	187234	Bolt/Torx-Head		22		
8	133104	SEALANT		AR		

Item	Part No.	Name	Characteristics	Qty	Superseded PartNumber	Machine applicability
1	138861	FLYWHEEL (INCLUDES ITEM 2)				
2	138860	RING GEAR				
3	133335	SCREW/BOLT				

Item	Part No.	Name	Characteristics	Qty	Superseded PartNumber	Machine applicability
1	187134	HEAD/CYLINDER (INCLUDES ITEMS 2-9)		1		
1	187135	HEAD/CYLINDER (INCLUDES ITEMS 2-9)		-		
1	198284	HEAD/CYLINDER (INCLUDES ITEMS 2-9)		-		
1	187111	HEAD/CYLINDER (INCLUDES ITEMS 2-9)		-		
1	187136	HEAD/CYLINDER (INCLUDES ITEMS 2-9)		-		
1	50353048	HEAD/CYLINDER (INCLUDES ITEMS 2-9)		-		
2	187147	INSERT/VALVE SEAT EXHAUST		3		
2A	187224	INSERT/VALVE SEAT INTAKE		3		
2A	187149	INSERT/VALVE SEAT 1ST OVERSIZE		-		
3	187224	INSERT/VALVE SEAT INTAKE		3		
3A	133327	INSERT/VALVE SEAT 1ST OVERSIZE		3		
4	187130	VALVE/INLET		3		
4	187125	VALVE/INLET		-		
5	187146	VALVE/EXHAUST		3		
6	133352	Seal/Valve Stem Deutz #041		6		
7	133456	SPRING/COMPRESSION		6		
8	187148	CAP/SPRING		6		
8	187148	CAP/SPRING		-		
9	133322	Collet/Valve #021	Deutz	12		

Item	Part No.	Name	Characteristics	Qty	Superseded PartNumber	Machine applicability
1	133113	CIRCLIP		2		
2	133332	ARM/ROCKER		2		
3	133333	SCREW/ADJUSTING		2		
4	133334	NUT/HEX		2		
5	135501	BOLT/TORX HEAD		2		
6	133375	BRACKET/ROCKER ARM (INCLUDES ITEMS1-4)		1		

Item	Part No.	Name	Characteristics	Qty	Superseded PartNumber	Machine applicability
1	133498	LINE/LUBRICATION OIL		1		
2	133141	Screw/Hollow Deutz #011		2		
3	133133	RING/SEALING M12X15.5MM		4		

Item	Part No.	Name	Characteristics	Qty	Superseded PartNumber	Machine applicability
1	187120	PLUG/SCREW 10 X 1 MM		1		
2	133132	SEALING RING		1		

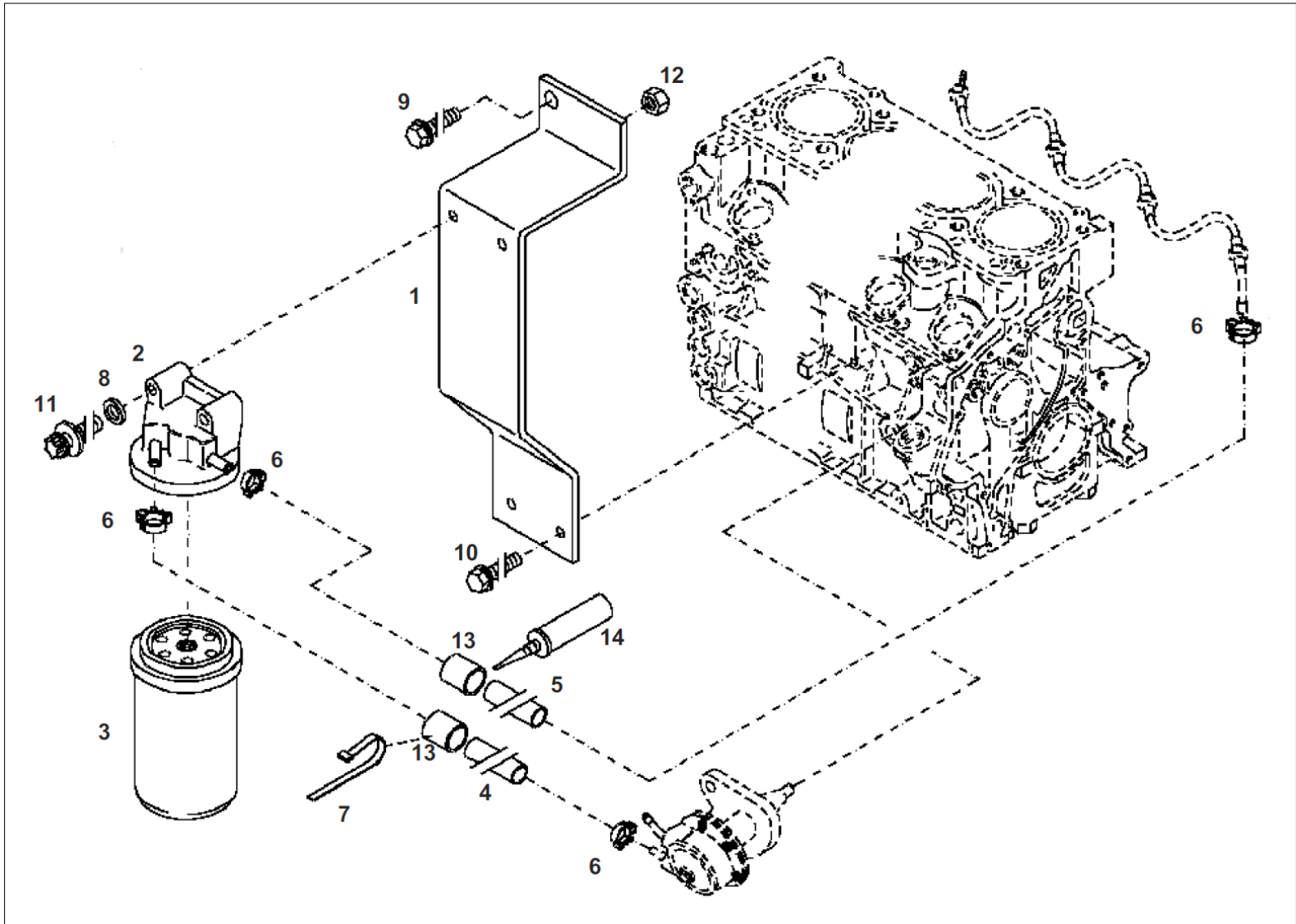
CLICK HERE TO **DOWNLOAD** THE COMPLETE MANUAL

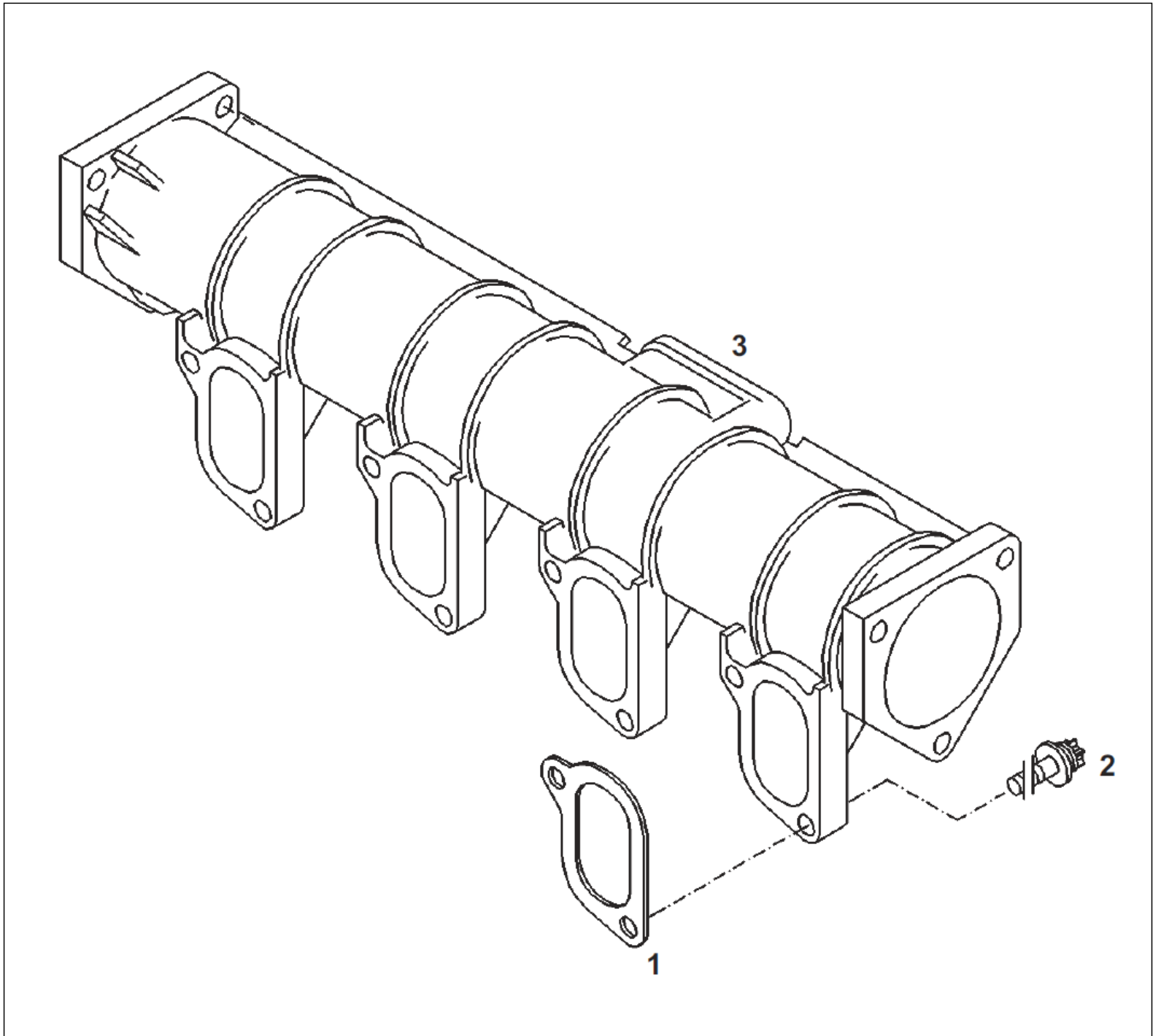
- Thank you very much for reading the preview of the manual.
- You can download the complete manual from: www.heydownloads.com by clicking the link below

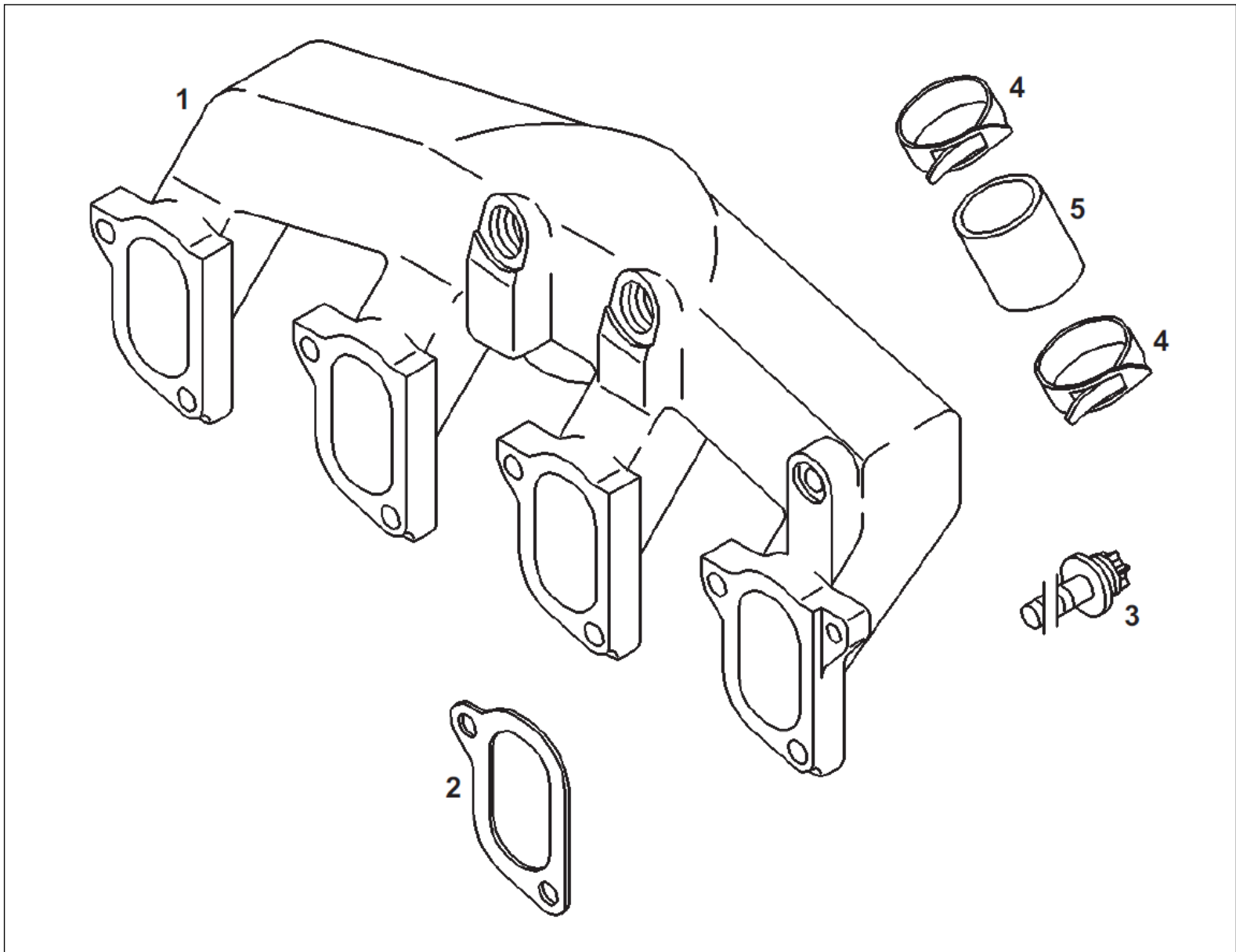


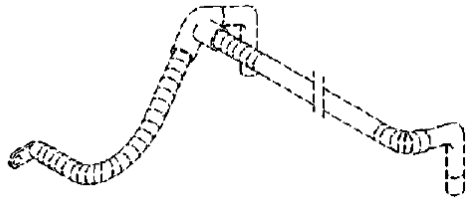
- Please note: If there is no response to CLICKING the link, please download this PDF first and then click on it.

CLICK HERE TO **DOWNLOAD** THE COMPLETE MANUAL





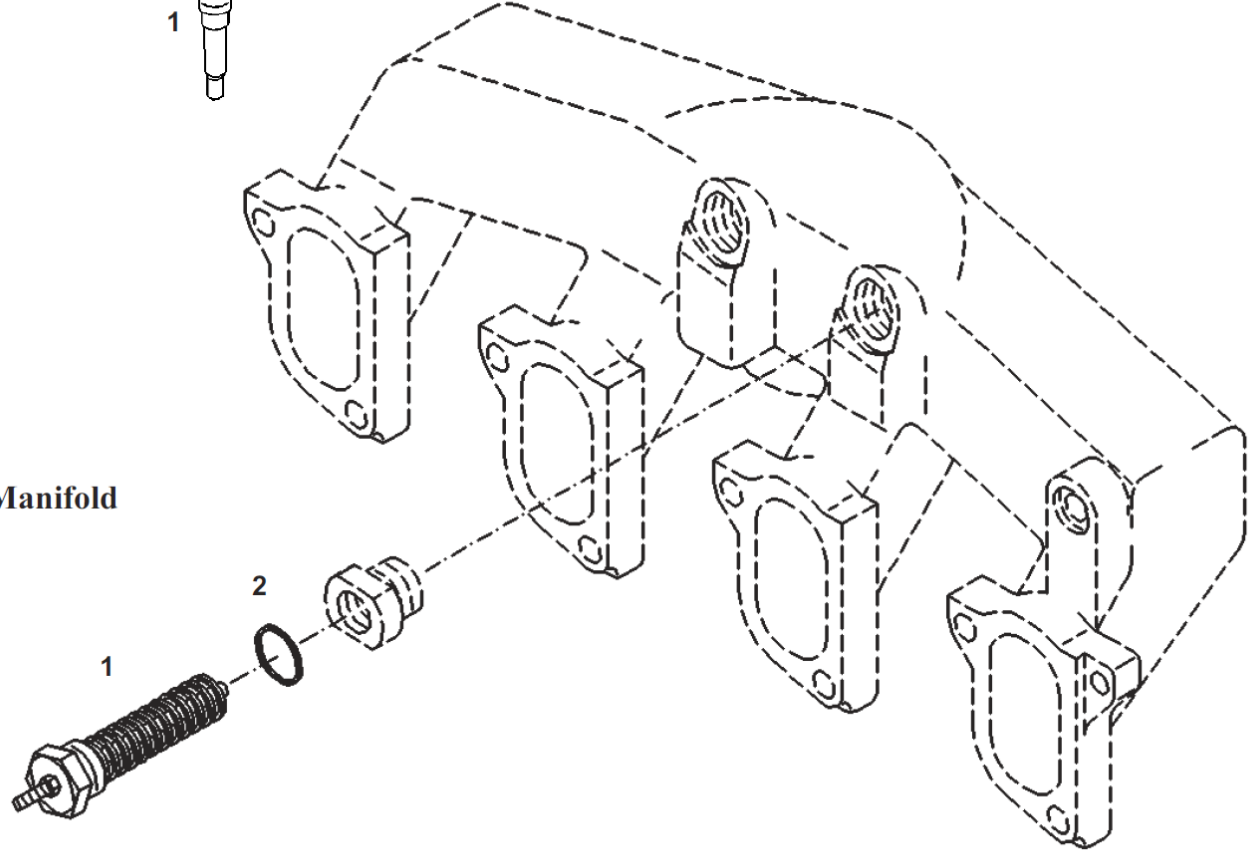




In-Cylinder Glow Plug



Intake Manifold



Item	Part No.	Name	Characteristics	Qty	Superseded PartNumber	Machine applicability
1	135527	ROD/CONTROL		1		
1	133578	ROD/CONTROL		-		
2	133396	PIN/LOCATING		1		
3	133360	SPRING/COMPRESSION		1		

Item	Part No.	Name	Characteristics	Qty	Superseded PartNumber	Machine applicability
1	138859	STARTER		1		
2	187239	BOLT/HEX		2		
3	187213	PINION/STARTER - STARTER DRIVE		1		
4	133301	RELAY (FOR STARTER SOLENOID)		1		
5	187216	HOLDER/BRUSH		1		
6	133605	HEX/NUT		2		
7	133606	WASHER/SPRING		2		
8	133608	PLATE/COVERING		1		

Item	Part No.	Name	Characteristics	Qty	Superseded PartNumber	Machine applicability
1	135546	BAFFLE/COOLING AIR		1		
2	133232	BOLT/HEX HEAD M6X14MM CL 8.8		3		

Item	Part No.	Name	Characteristics	Qty	Superseded PartNumber	Machine applicability
1	133532	FLANGE		1		
2	133180	STUD		3		
3	187278	Nut/Hex		3		
4	133364	GASKET		1		

CLICK HERE TO **DOWNLOAD** THE COMPLETE MANUAL

- Thank you very much for reading the preview of the manual.
- You can download the complete manual from: www.heydownloads.com by clicking the link below



- Please note: If there is no response to CLICKING the link, please download this PDF first and then click on it.

CLICK HERE TO **DOWNLOAD** THE COMPLETE MANUAL