

# NACIONAL MOTOR, S.A.U. DERBI

C/ Barcelona, nº19 - Martorelles 08107 - BARCELONA (SPAIN)

Tel. 93 565 78 78 - Fax 93 565 78 52

---

# DERBI



---

## REPLICA RACING'03

---

CÓDIGO CATÁLOGO  
CATALOGUE NUMBER

7077CH03005

CLICK HERE TO **DOWNLOAD** THE COMPLETE MANUAL

- Thank you very much for reading the preview of the manual.
- You can download the complete manual from: [www.heydownloads.com](http://www.heydownloads.com) by clicking the link below



- Please note: If there is no response to CLICKING the link, please download this PDF first and then click on it.

CLICK HERE TO **DOWNLOAD** THE COMPLETE MANUAL

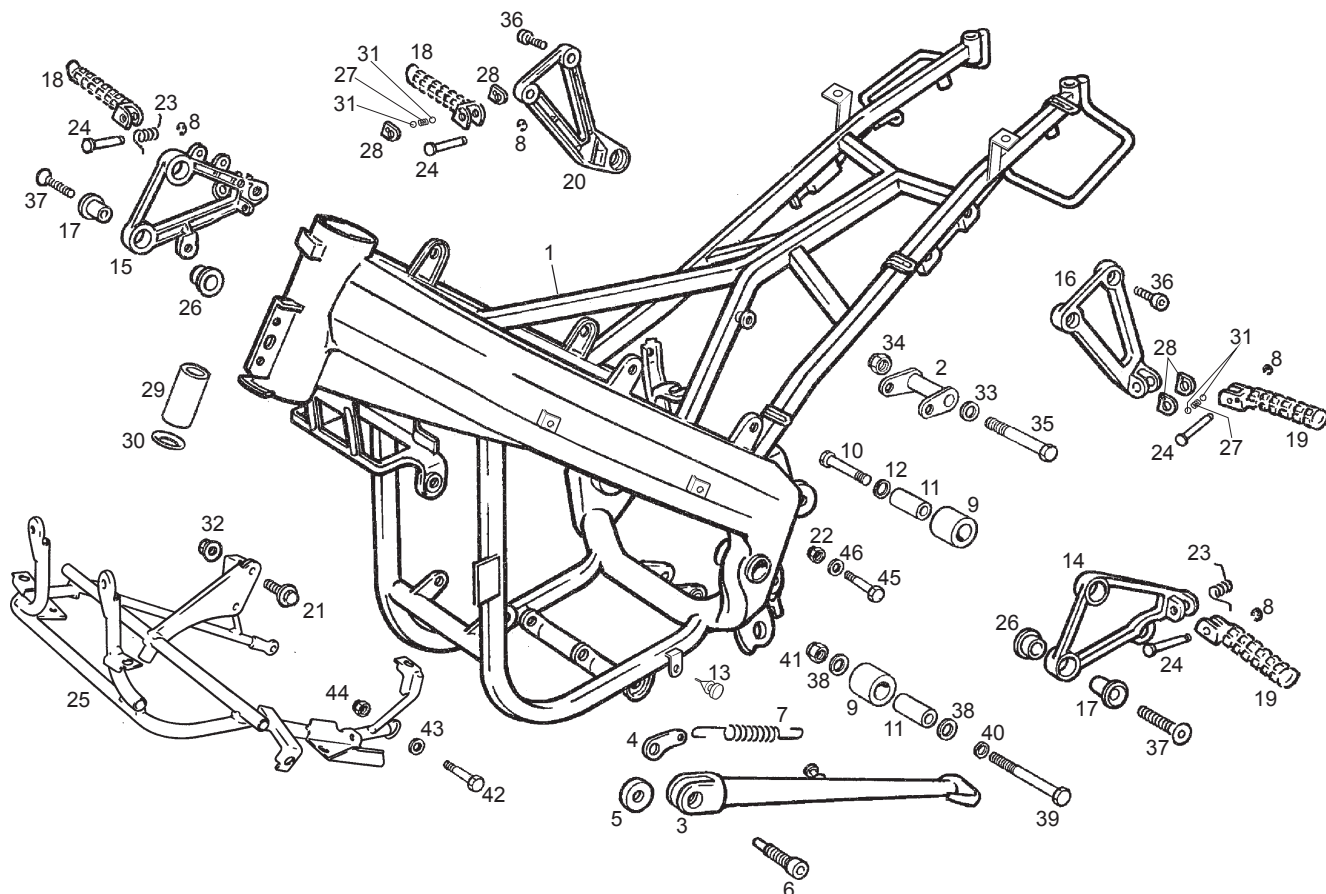


Fig.	Ver.	COD. KOD.	DESCRIPCIÓN DENOMINAZIONE NAME	BEZEICHNUNG DESIGNATION	MOD.	N° CHASIS N° TELAIIO FRAME NUM. Nr. RHAMEN N.° CADRE
12A		00003306570	ARANDELA FIJ. TRAS. SILLIN RONDELLA FISSAGGIO POSTERIORE REAR NUT WASHER OF TOOL BOX	SCHEIBE RONDELLE FIX BOITE A OUTILS	1 2 3 4	
13A		00H06303771	TOPE CARENADOS FERMO CARENATURA FAIRING STOP	VERKLEIDUNGS-ANSCHLAG BUTE CARENAGE	1 2 3 4	
14A		00H00104675	SOPT. DT. IZ. ESTRIBERA SUPPORTO SINISTRA STAFFA GRIG LEFT HAND SIDE FOOTREST BRACK	LINKE FUSSRASTEN-HALTERUNG ZIR SUPPORT GAUCHE TRIER GRIS CHR	1 2 3 4	
15A		00H00104705	SOPT. DT. DR. ESTRIBERA SUPPORTO ANTERIORE DESTRA STA FRONT RIGHT HAND SIDE FOOTRES	HALTERUNG VORN RECHTS FUSSRAST SUPPORT AVANT DROITE TRIER GR	1 2 3 4	
16A		00H01500125	SOPT. TR. IZ. ESTRIBERA SUPPORTO POSTERIORE SINISTRO REAR LEFT HAND SIDE FOOTREST	FUSSRASTEN-HALTERUNG HINTEN LI SUPPORT ARRIERE GAUCHE TRIER.	1 2 3 4	
17A		00H01500171	CASQ. FIJ. SOPT. ESTRIBERA GHIERA FISSAGGIO SUPPORTO ST FOOTREST BRACKET SECURING BUS	BEFESTIGUNGSHULSE FUSSRASTEN-H DOUILLE FIXATION SUPPORT TRIE	1 2 3 4	
18A		00H01502091	ESTRIBERA DR. PORTASTAFFA DESTRA RIGHT HAND SIDE FOOTREST	FUSSRASTE RECHTS TRIER DROITE R	1 2 3 4	
19A		00H01502451	ESTRIBERA IZ. PORTASTAFFA SINISTRA LEFT HAND SIDE FOOTREST	FUSSRASTE LINKS TRIER GAUCHE R	1 2 3 4	
20A		00H01503545	SOPT. TR. DR. ESTRIBERA SUPPORTO POSTERIORE DESTRA ST REAR RIGHT HAND SIDE FOOTREST	FUSSRASTEN-HALTERUNG HINTEN SUPPORT ARRIERE DROITE TRIER	1 2 3 4	
21A		00004161600	TOR. C/ALLEN.6M100X16 VITE TESTA ALLEN 6M100K16 ALLEN SCREW 6M100X16	INBUSSCHRAUBE 6M100X16 VIS TETE CREUSE.6M100X16	1 2 3 4	
22A		00023208000	TUERCA AUTOBLOC. 8M125 DADO AUTOBLOCCANTE 8M125 SELF-LOCKING NUT 8M125	MUTTER SELBSTS 8M125 ECROU INDESSERABLE	1 2 3 4	

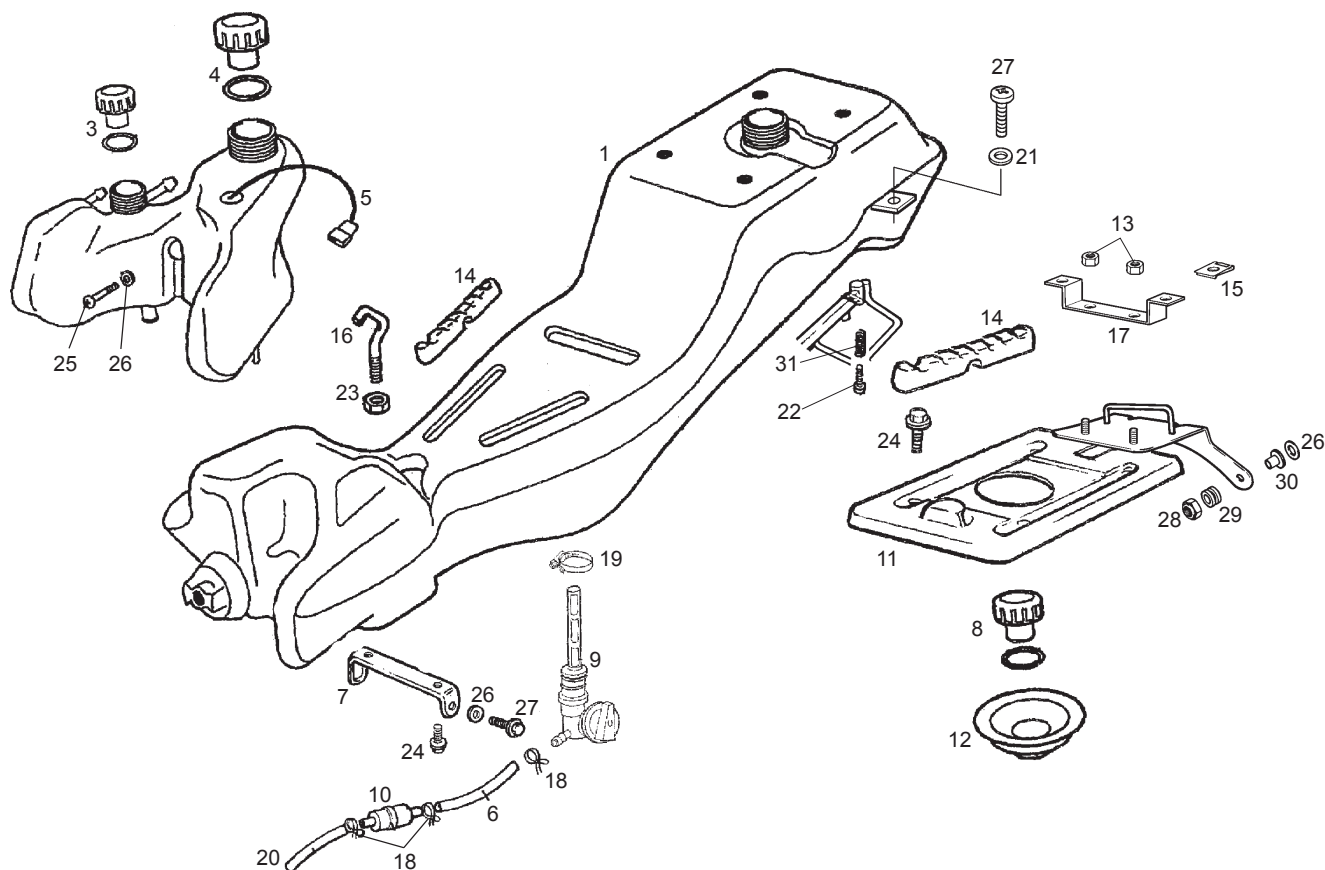


Fig.	Ver.	COD. KOD.	DESCRIPCIÓN DENOMINAZIONE NAME	BEZEICHUNG DESIGNATION	MOD.	N° CHASIS N° TELAIO FRAME NUM. Nr. RHAMEN N.° CADRE
01A		00H00403541	R-CTO. DEPTO. GASOL. C/TOPE SERBATOIO BENZINA FUEL TANK	BENZINTANK RESERVOIR	1 2 3 4	
02A		00H03705081	DEPOSITO ACEITE SERBATOIO OLIO R OIL RESERVOIR	WASSERHALTER RESERVOIR HUILE	1 2 3 4	
03A		00H03801471	CTO. TAPON DEP. AGUA TAPPO SERBATOIO ACQ W WATER RESERVOIR CAP ASSEMBLY	GRUPPE WASSERBEH, LTER-DECKEL G ENSEMBLE BOUCHON RSERVOIR EAU	1 2 3 4	
04A		00H03701061	CTO. TAPON DEPTO. ACTE. TAPPO SERBATOIO OLIO OIL RESERVOIR CAP	DECKEL ^LBEH, LTER. BOUCHON RSERVOIR HUILE	1 2 3 4	
05A		00G03702051	CTO. INDICAD. NIVEL ACEITE. INDICATORE LIVELLO OIL LEVEL INDICATOR ASSY	OELSTANDANZEIGER ENSEMBLE JAUGE D'HUILE	1 2 3 4	
06A		00H03700111	TUBO SAL. DPTO. ACTE. A FILTR. TUBO USCITA SERBATOIO OLIO SE OIL FLEX, PUMP	AUSGANGSROHR OLBEH. TUYAU D,HUILLE	1 2 3 4	
07A		00H00401051	SOPTO. INF. DPSTO. GASOL. SUPPORTO INFERIORE SERBATOIO L LOWER FUEL TANK BRACKET	UNTERE HALTERUNG BENZINTANK SUPPORT INPRIEUR RSERVOIR ES	1 2 3 4	
08A		00H00401131	TAPON DEPOSITO GASOL. TAPPO SERBATOIO BENZINA FUEL TANK FILLER CAP	BENZINTANKDECKEL BOUCHON RSERVOIR ESSENCE	1 2 3 4	
09A		00H00403181	CTO. GRIFO GASOLINA. RUBINETTO BENZXNA FUEL COCK ASSEMBLY	GRUPPE BENZINHAN" ENSEMBLE ROBINET ESSENCE	1 2 3 4	
10A		00F00400611	CTO. FILTRO GASOL. FILTRO BENZINA FUEL FILTER	BENZINFILTER FILTRE A ESSENCE	1 2 3 4	
11A		00H01801281	SCTO. PLACA SUP. DEP. GASOL. PIASTRA SUPERIORE SERBATOIO B UPPER FUEL TANK PLATE BLACK	OBERE PLATTE BENZINTANK SCHWAR PLAQUE SUPRIEURE RSERVOIR ES	1 2 3 4	

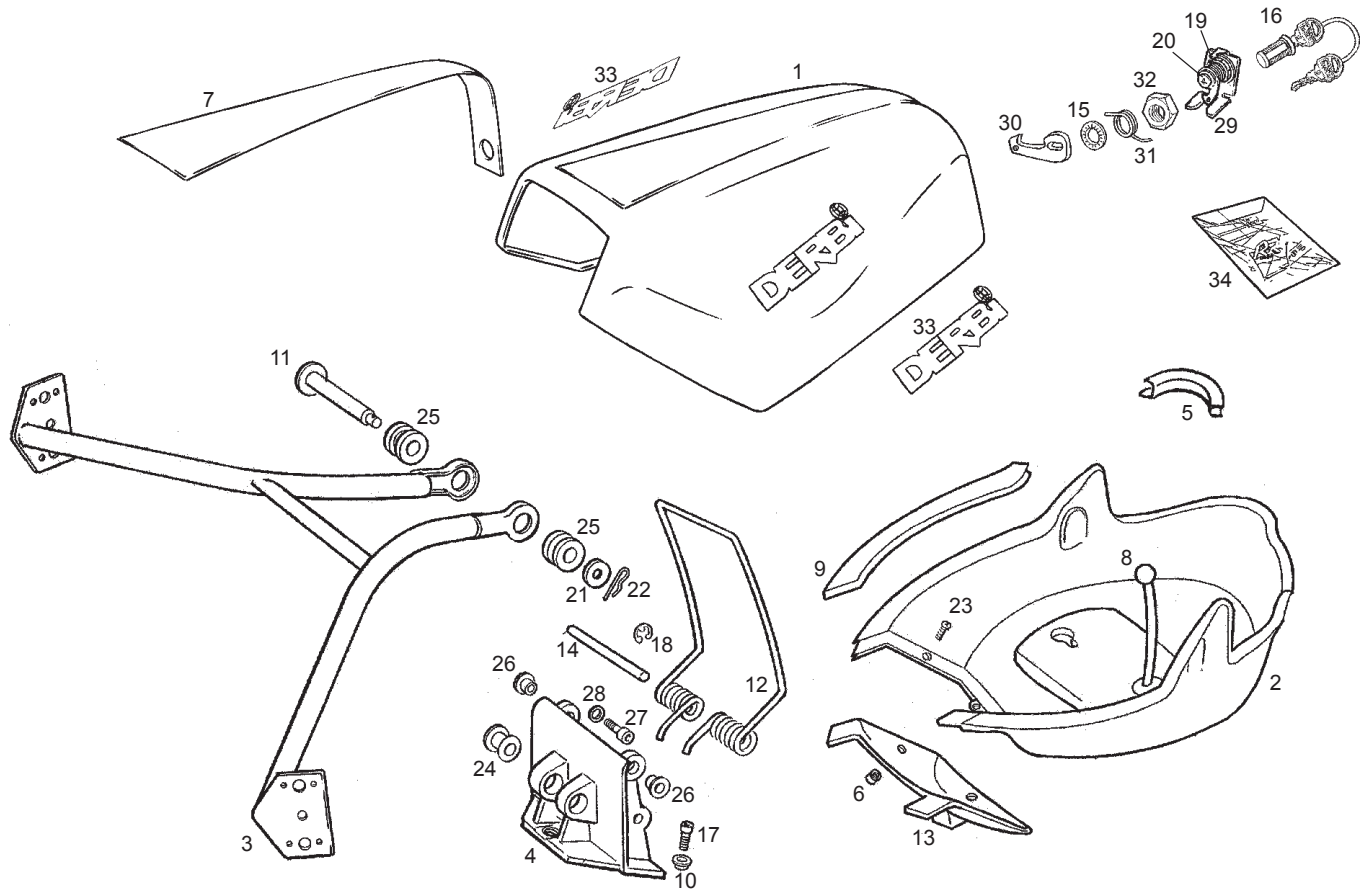


Fig.	Ver.	COD. KOD.	DESCRIPCIÓN DENOMINAZIONE NAME	BEZEICHNUNG DESIGNATION	MOD.	Nº CHASIS Nº TELAIO FRAME NUM. Nr. RHAMEN N.º CADRE
33A		00G04903505	CALCA DERBI ADESIVO DERBI DECAL DERBI	SCHRIFTZUG DERBI ADHESIF DERBI	1 3	
33B		00G04903504	CALCA DERBI ADESIVO DERBI DECAL DERBI	SCHRIFTZUG DERBI ADHESIF DERBI	2 4	

**ACCESORIOS OPCIONALES / ACCESORI OPCIONALE / OPTIONAL ACCESORIES / WERKZEUG / OTILS FOURNIS**

34A		00H05147651	R-JUEGO CALCAS GIOCO ADESIVI DECAL ASSY	ABZIEHBILDSATZ JEU D'ADHESIF	1 3	
34B		00H05147652	R-JUEGO CALCAS GIOCO ADESIVI DECAL ASSY	ABZIEHBILDSATZ JEU D'ADHESIF	2 4	

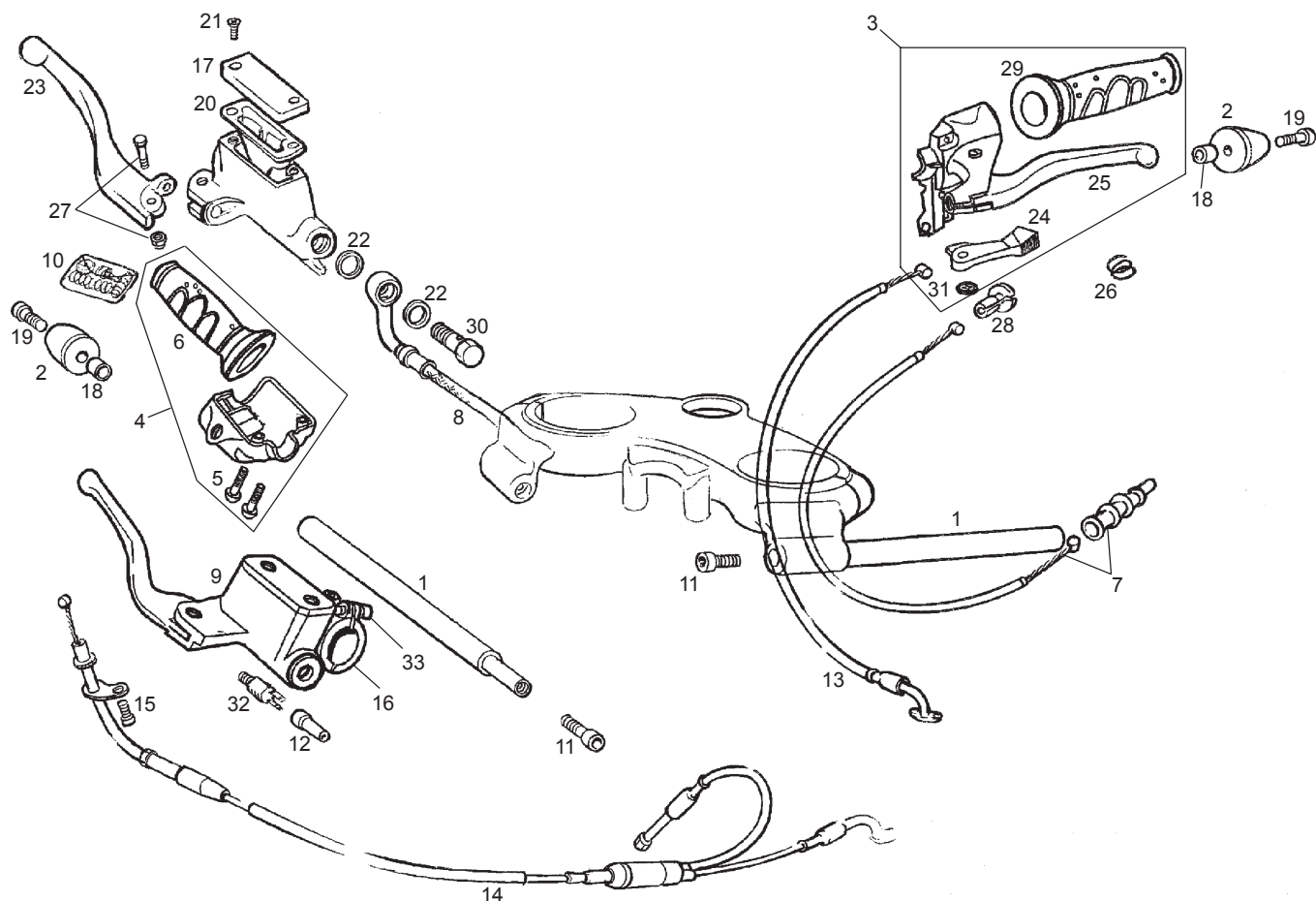


Fig.	Ver.	COD. KOD.	DESCRIPCIÓN DENOMINAZIONE NAME	BEZEICHNUNG DESIGNATION	MOD.	Nº CHASIS Nº TELAIO FRAME NUM. Nr. RHAMEN N.º CADRE
30A		00006309260	RACORD TUBO HIDRAULICO RACCORDO TUBO IDRAULICO HYDRAULIC TUBE CONNECTOR	STUTZEN HYDRAULIKLEITUNG RACCORD TUYAU HYDRAULIQUE	1 2 3 4	
31A		00G06300671	ARANDELA FIJ. SUP. TRAS. CUADRO RONDELLA FISSAGGIO SUPPLEMENT REAR FRAME EXTENSION SECURING	SCHEIBE RONDELLE FIX. SUPPL. ARRIERE CAD	1 2 3 4	
32A		00D01000701	INTERRUP. MANDO STOP. INTERRUPTORE COMANDO STOP SWITCH, STOP LIGHT	STOPSCHALTER VO. INTERRUPTEUR COMMANDEMENT STOP	1 2 3 4	
33A		00000004620	TOR. C/ALLEN.6M100X20 VITE TESTA ALLEN 6M100X20 ALLEN SCREW M6X20	INBUSSCHRAUBE 6M100X20. VIS T. CREUSE 6M100X20	1 2 3 4	

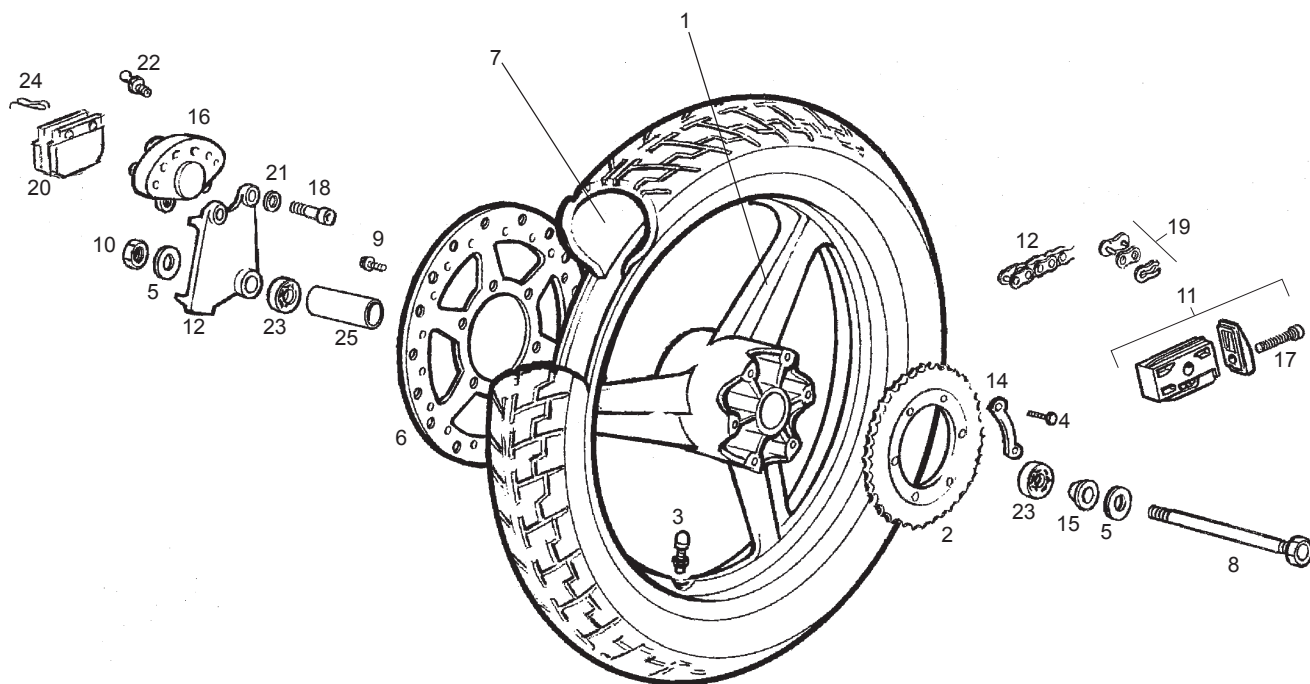


Fig.	Ver.	COD. KOD.	DESCRIPCIÓN DENOMINAZIONE NAME	BEZEICHNUNG DESIGNATION	MOD.	N° CHASIS N° TELAIO FRAME NUM. Nr. RHAMEN N.° CADRE
12A		00H01302521	SCTO. SOPTE. PINZA FR. TR. SUPPORTO GANASCI REAR BRAKE CALIPER BRACKET	U-GRUPPE HINTERBREMSBACKEN-HAL S/ENSEMBLE SUPPORT PINCE FREIN	1 2 3 4	
13A		00H01507201	CAD. SEC. 132P. DR7,75. PM12,6 CAT. SIC. 136P. DR7,75. PM121,T TRANSMISSION CHAIN 133P.	KETTE CHAINE TRANSMISSION 136P.	1 2 3 4	
14A		00H01304051	PREC. TOR. PLATO ARRAST. PIASTRINA VITE PIATTO TRAIKO DRIVE PLATE SCREW LOCK PIECE	PLOMBIERSTICK MITNEHMERSCHEIBE SCELL VIS PLATEAU D'ENTRAONEM	1 2 3 4	
15A		00H01304181	CASQ. LADO PLATO GHIERA LATO PIATTO SPACER	DISTANZHULSE ENTRETOISE	1 2 3 4	
16A		00H01103581	CTO. PINZA FR. TR. QANASCI A POSTERIOR REAR CLIP ASSEMBLY	BREMSZANGE HINTEN ETRIER FREIN ARR.	1 2 3 4	
17A		00H01301491	TOR. FIJ. PLACA TENSOR RDA. 8X50. VITE FISSAGGIO PIASTRA TENSOR TENSIONER PLATE SECURING SCRE	KETTENSANNERPLATTEN-BEFESTIGU VIS FIXATION PLAQUE TENDEUR	1 2 3 4	
18A		00000004830	TOR. C/ALL. 8M125X30 VITE TESTA ALLEN 8M125X30NG. D ALLEN SCREW SM125K3	INBVSSCHRAUBE 8M125X30 VIS A/ALI EN 8M125X30	1 2 3 4	
19A		00H01501212	R-ENGANCHE DORAD. CADENA SEC. AGGANCIAMENTO CATENA SICUREZZ MASTER LINK	KETTENSCHLOSS ATTACHE RAPIDE	1 2 3 4	
20A		00F04700141	R-JUEGO PAST. FR. TR. COPPIA PASTIGLIE BRAKE PAD	BREMSBELAG VORN PLAQUETTE DE FREIN	1 2 3 4	
21A		00034000802	ARANDELA ESTRELL. INT. D8 RONDELLA STELLA INTERIORE D8. INNER STAR WASHER D8	SCHEIBE D8 RONDELLE EVENTAIL INT	1 2 3 4	
22A		00H04702121	R-CTO. PURGAD. PINZA FR. TR. RICAMBIO SPURGO GAN R-REAR BRAKE CALIPER BLEED AS	E-TEIL GRUPPE BREMSBACKENREINI PURGEUR PINCE FREIN	1 2 3 4	

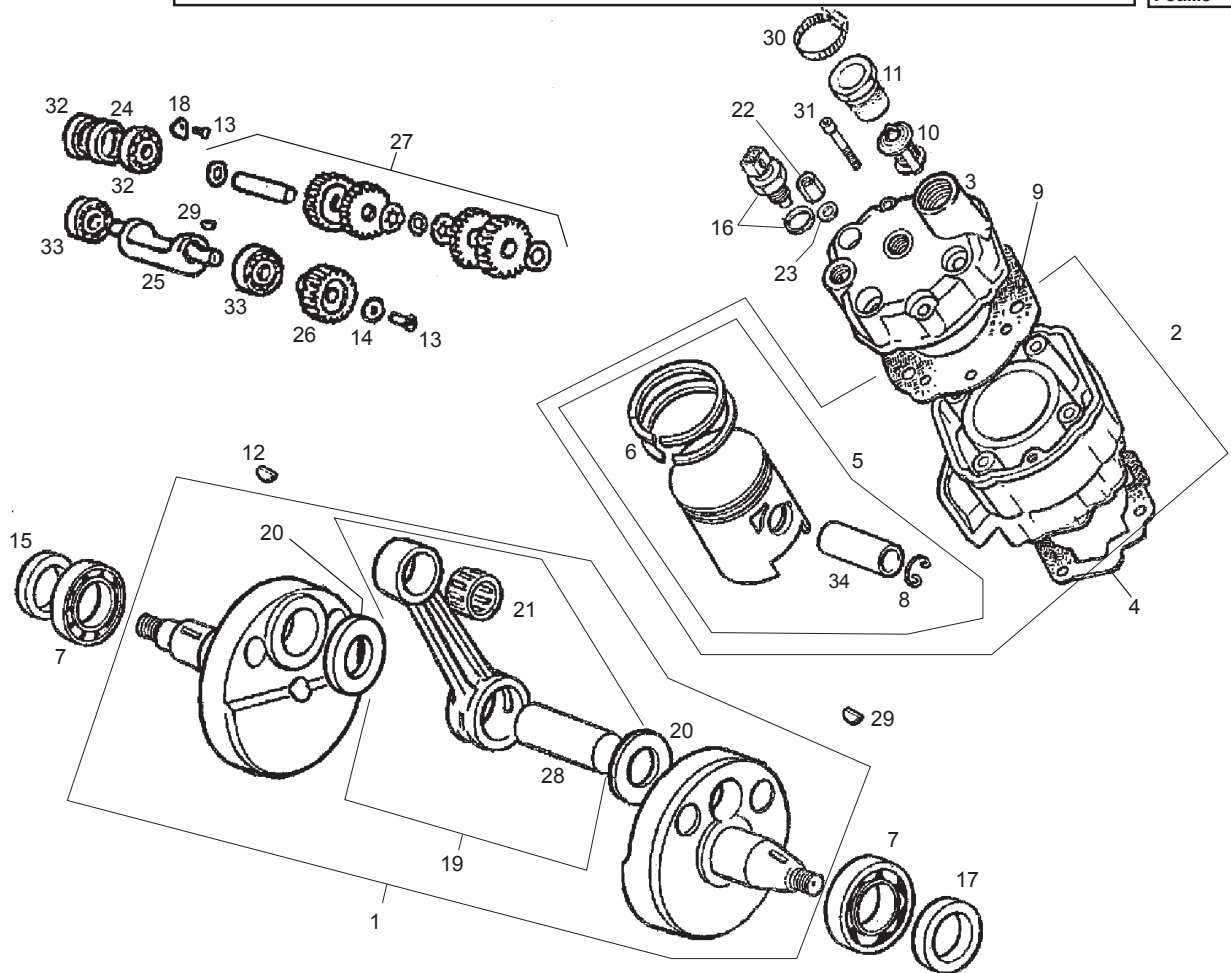


Fig.	Ver.	COD. KOD.	DESCRIPCIÓN DENOMINAZIONE NAME	BEZEICHUNG DESIGNATION	MOD.	Nº CHASIS Nº TELAIO FRAME NUM. Nr. RHAMEN N.º CADRE
09A		00H02505021	JUNTA CULATA GUARNIZIONE TESTATA GASKET CYLINDER HEAD	ZYLINDERKOPFDICHTUNG JOINT DE CULASSE	1 2 3 4	
10A		00H03800431	TERMOSTATO TERMOSTATO THERMOSTATE.	THERMOSTAT THERMOSTAT	1 2 3 4	
11A		00H03810421	TUERCA FIJ. TERMOSTATO DADO FISSAGGIO TERMOSTATO NUT	BEF. - MUTTER ECROU FIXATION THERMOSTAT	1 2 3 4	
12A		00H02600491	CHAVETA SPINA VOLANO MAGNETICO KEY, FLYWHEEL	KEIL CLAVETTE VOLANT MAGNETIQUE	1 2 3 4	
13A		00000004512	TOR. C/ALLEN 5M80X12NEGRO VITE TESTA ALLEN 5M80X12 NERO ALLEN SCREW M5X12	INBUSSCHRAUBE 5MSOX12 VIS A TETE CREUSE 5M80X12 NOIR	1 2 3 4	
14A		00H02810801	ARANDELA FIJ. PIÑON CONTRAP. CIGÑ. RONDELLA FISSAGGIO PIGNONE WASHER	SCHEIBE RONDELLE	1 2 3 4	
15A		00E02500231	RETEN CIGUENAL SCOO.74,20.35.7 GIUNTO TENUTA ALBERO GOMITO SEAL, OUTPUT SHAFT	SIMMERRING JOINT SPI VILO G.20X35X7	1 2 3 4	
16A		00H02303441	TERMOCONTACTO TERMOCONTATTO CLUTCH PLATE	THERMOKONTAKT TERMO-CONTATC	1 2 3 4	
17A		00H02500301	RETEN CIGÑAL. DCH.20.35.7 GIUNTO TENUTA ALBERO GOMITO SEAL, CRANKSHAFT	KURBELWELLEN-DICHRING RECHTS JOINT SPI VILO D.	1 2 3 4	
18A		00H02500881	PRECTO. COJNT. PIÑS. INTERM. PIASTRINA CUSCINETTI PIGNONI PLATE POSITION BALL BEARINGS	ZWISCHENRITZEL BUTEE DE ROULEMENT	1 2 3 4	
19A		00H05001011	R-CTO. BIELA BIELLA CONNECTING ROD W/BEARING	PLEUEL BIELLE AVEC CAGE ET AXE	1 2 3 4	

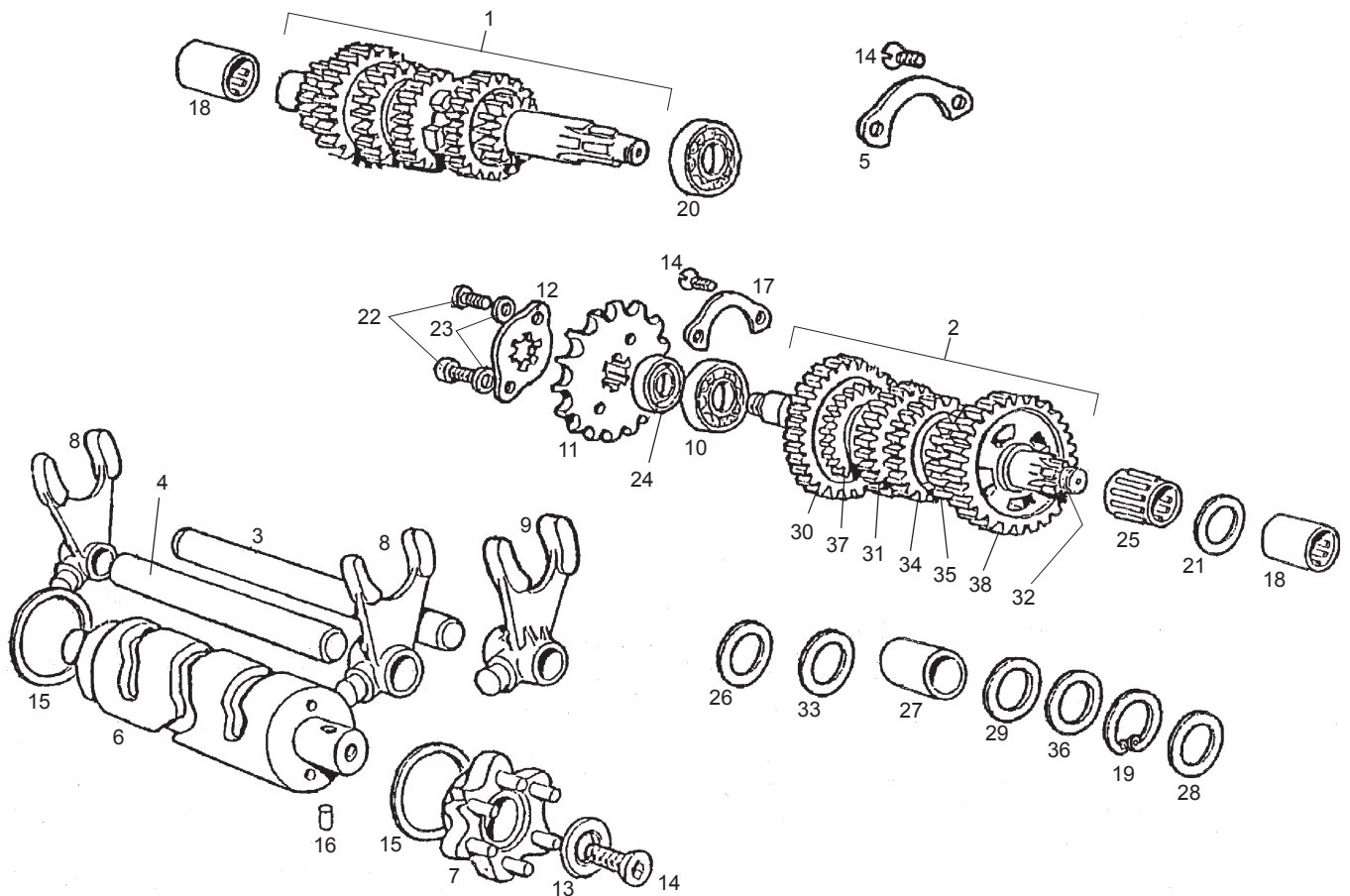


Fig.	Ver.	COD. KOD.	DESCRIPCIÓN DENOMINAZIONE NAME	BEZEICHNUNG DESIGNATION	MOD.	Nº CHASIS Nº TELAIO FRAME NUM. Nr. RHAMEN N.º CADRE
22A		00000004512	TOR. C/ALLEN 5M80X12NEGRO VITE TESTA ALLEN 5M80X12 NERO ALLEN SCREN M5X12	INBUSSCHRAUBE 5M80X12 VIS A TETE CREUSE 5M80X12 NOIR	1 2 3 4	
23A		00000031050	ARANDELA PLANA MEC. D5 RONDELLA STELLA INTERIORE INNER WASHER	SCHEIBE RONDELLE INT	1 2 3 4	
24A		00H02800401	RETEN. PIÑON SALIDA CAMB. GIUNTO TENUTA PIGNONE USCITA SEAL SSPROCKET	DICHTRING JOINT SPI-PIGNON	1 2 3 4	
25A		00D02820101	CORONA AGUJ. PIÑ. 2-1A. K14X18X8F CORONA RULLINI PIGNONE .2-1A. NEEDLE BEARING	NADELLAGER ROULEMENT AIGUILLES	1 2 3 4	
26A		00H02800181	ARANDELA REGLAJE EJE SECUNDARIO RONDELLA ATTRITO PIGNONE PRIM WASHER	SCHEIBE RONDELLE	1 2 3 4	
27A		00H02800241	CASQ. PIÑON SECUND. II GHIERA PIGNONE SECONDARIO . II BUSHING	HULSE ENTRETOISE	1 2 3 4	
28A		00H02800251	ARANDELA ROZAMTO. PIÑON SECUND. I RONDELLA ATTRITO PIGNONE SECO WASHER	SCHEIBE RONDELLE	1 2 3 4	
29A		00H02800561	ARANDELA PIÑS. SECUND. III/IV. A. A. RONDELLA PIGNONI SECONDARIO WASHER	SCHEIBE SEKUNDARACHSE RONDELLE	1 2 3 4	
30A		00H02801221	PIÑON SECUND. II.Z-30 PIGNONE SECONDARIO II.Z-30 SECONDARY GEAR	RITZEL SEKUNDARACHSE II PIGNON SECONDAIRE II	1 2 3 4	
31A		00H02801481	PIÑON SECUND. IV.Z-24 PIGNONE SECONDARIO. IV.Z-24 SECONDARY GEAR	RITZEL SEKUNDARACHSE IV PIGNON SECONDAIRE IV	1 2 3 4	
32A		00H02802161	EJE SECUND. ASSE SECONDARIO 74 CC OUTPUT SHAFT	SEKUNDARACHSE AXE SECONDAIRE	1 2 3 4	

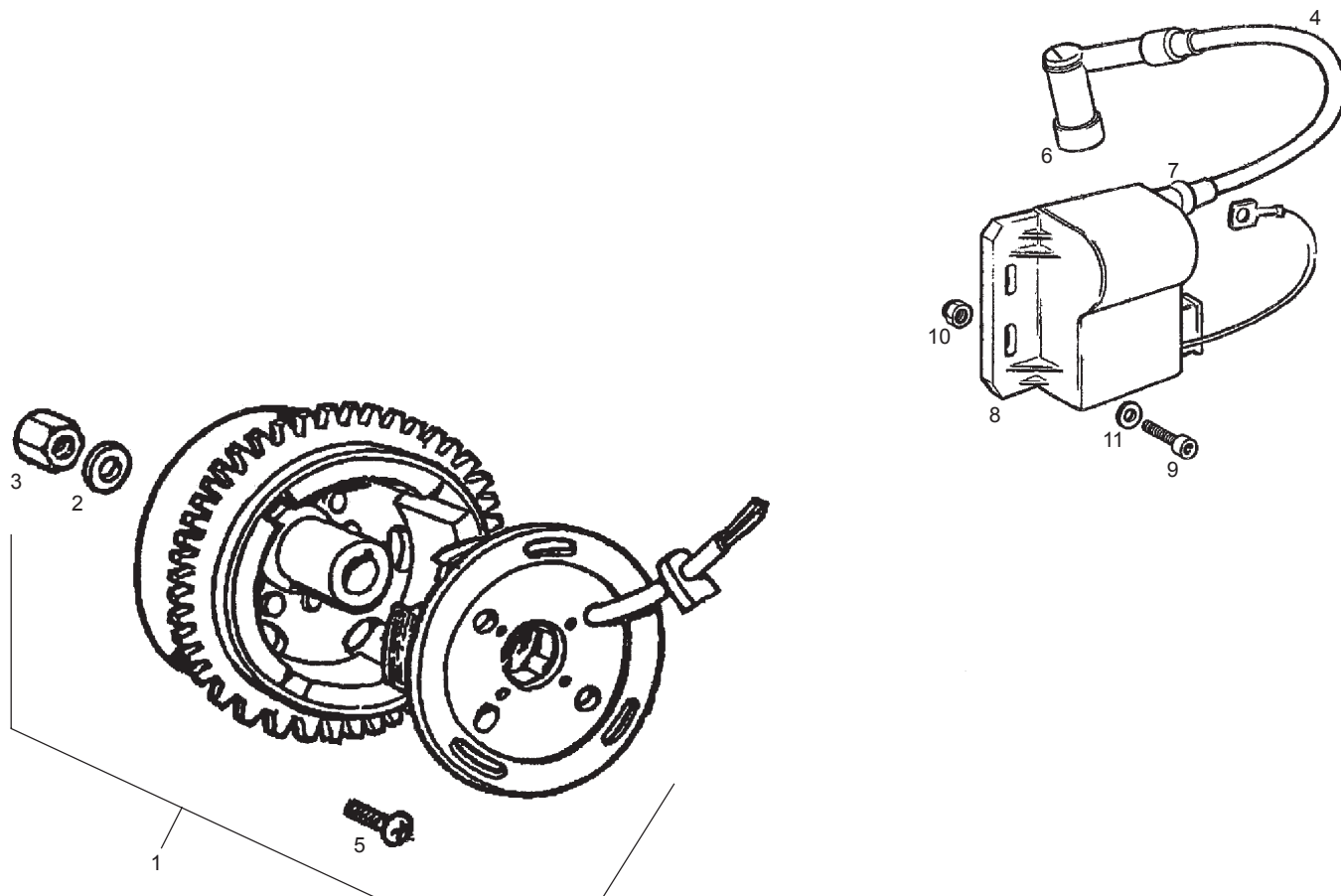


Fig.	Ver.	COD. KOD.	DESCRIPCIÓN DENOMINAZIONE NAME	BEZEICHNUNG DESIGNATION	MOD.	N° CHASIS N° TELAIO FRAME NUM. Nr. RHAMEN N.° CADRE
01A		00H03360011	CTO. VOLTE. ELECTR VOLANO ELETTRONICO MAGNETO ASSEMBLY	LICHTMASCHINE KOMPL. VOLANT MAGNETIC	1 2 3 4	
02A		00F03300241	ARANDELA FIJ. VOLTE. MAGN. SCO. DCT. RONDELLA FISSAGGIO VOLANO MA WASHER, FLYWHEEL 10MM	BEF. - SCHEIBE RONDELLE	1 2 3 4	
03A		00H03300221	TUERCA FIJ. VOLTE. MAGN. DADO FISSAGGIO VOLANO MAGNETI NUT, MAGNETO ASSEMBLY	MUTTER ECROU FIXE VOLANT	1 2 3 4	
04A		00F03310741	CABLE BOBINA. START. A. E. CAVO BOBINA START. A. E. CABLE COIL PRIMARY IGNITION	ZUNDSPULENKABEL CABLE	1 2 3 4	
05A		00003133260	TOR. FIJ. VOLTE. MAGN. 5M80X10. VITE FISSAGGIO VOLANO MAGNETI SCREW, STATOR PLATE	SCHRAUBE VIS FIX VOLANT	1 2 3 4	
06A		00G03301271	CTO. PIPABUJIA PIPA CANDELA SCO-5 COVER, SPARK PLUG	ZUNDKERZENSTECKER PIPE DE BOUGIE	1 2 3 4	
07A		00F03300731	CAPUCHON CABLE BOBINA CAPPUCCIO CAVO BOBINA COIL CABLE RUBBER PROTECTOR	KAPPE CAPUCHON	1 2 3 4	
08A		00H03330171	CTO. CONVER. ELECTRONICO COVERTITORE ELETTRICO COIL, PRIMARY IGNITION	ZUNDSPULE BOBINE HAUTE TENSION AVEC FIL	1 2 3 4	
09A		00000004620	TOR. C/ALLEN. 6M100X20. VITE TESTA ALLEN 6M100X20 ALLEN SCREW M6X20	INBUSSCHRAUBE 6M100X20. VIS T. CREUSE 6M100X20	1 2 3 4	
10A		00000023060	TUERCA AUTOBLOC. 6M100 DADO AUTOBLOCCANTE 6M100 SELF-LOCKING NUT M6	MUTTER ECROU INDESSERRABLE 6M100	1 2 3 4	
11A		00000031060	ARANDELA PLANA MECANIZ. D6 RONDELLA PIATTA MECCANIZZATA MACHINED FLAT WASHER D6	SCHEIBE D6. ROND. PLATE MECANISEE D6	1 2 3 4	

CLICK HERE TO **DOWNLOAD** THE COMPLETE MANUAL

- Thank you very much for reading the preview of the manual.
- You can download the complete manual from: [www.heydownloads.com](http://www.heydownloads.com) by clicking the link below



- Please note: If there is no response to CLICKING the link, please download this PDF first and then click on it.

CLICK HERE TO **DOWNLOAD** THE COMPLETE MANUAL