

# NACIONAL MOTOR, S.A.U. DERBI

C/ Barcelona, nº19 - Martorelles 08107 - BARCELONA (SPAIN)

Tel. 93 565 78 78 - Fax 93 565 78 52

---

# DERBI



---

## ATLANTIS O2 CITY 2003 E2

---

CÓDIGO CATÁLOGO  
CATALOGUE NUMBER

7077CG04005

CLICK HERE TO **DOWNLOAD** THE COMPLETE MANUAL

- Thank you very much for reading the preview of the manual.
- You can download the complete manual from: [www.heydownloads.com](http://www.heydownloads.com) by clicking the link below



- Please note: If there is no response to CLICKING the link, please download this PDF first and then click on it.

CLICK HERE TO **DOWNLOAD** THE COMPLETE MANUAL

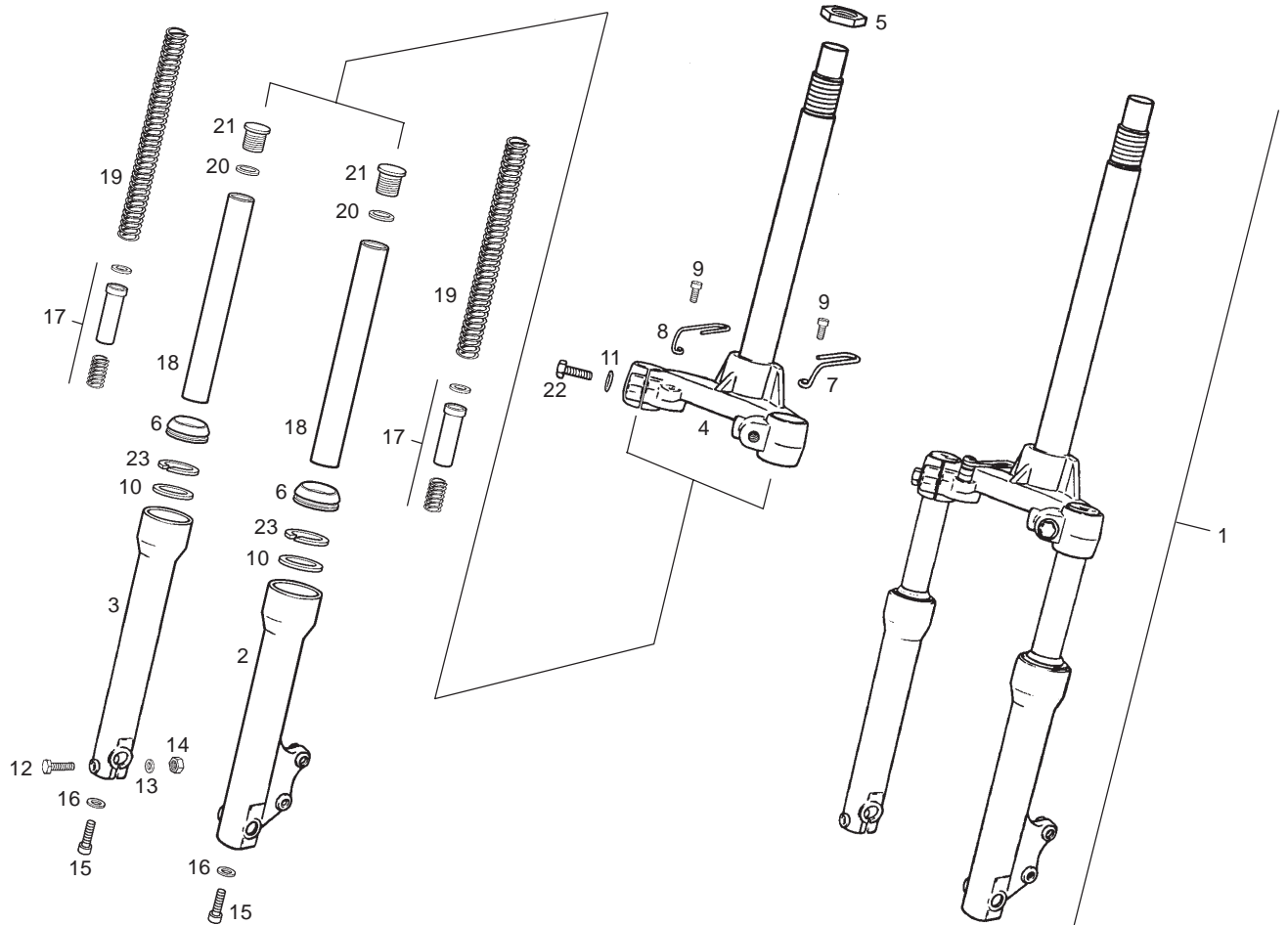


Fig.	Ver.	COD. KOD.	DESCRIPCIÓN DENOMINAZIONE NAME	BEZEICHNUNG DESIGNATION	MOD.	NOTAS NOTES NOTA MITSCHRIFT NOTES
11A		00000031100	ARANDELA PLANA D.10. RONDELLA WASHER	SCHEIBE RONDELLE	1 2 3 4 5	
12A		00000002850	TORNILLO C/EXAG. 8M125X50. VITE SCREW	SCHRAUBE VIS	1 2 3 4 5	
13A		00000031080	ARANDELA PLANA MECANIZ.D.8 RONDELLA WASHER	SCHEIBE RONDELLE	1 2 3 4 5	
14A		00000023080	TUERCA AUTOBLOC. 8M125 DADO NUT	MUTTER ECROU	1 2 3 4 5	
15A		00002112500	TORNILLO C/EXAG.10M100X25 VITE SCREW	SCHRAUBE VIS	1 2 3 4 5	
16A		00G00201281	R-ARAND. INT. PNA. HORQ. ATLANTIS RONDELLA DE GAMBA WASHER	SCHEIBE RONDELLE	1 2 3 4 5	
17A		00G00201531	R-CTO. TUBO HIDRAUL. ATLANTIS TUBO IDRAULICO DAMPER TUBE ASSY	HYDRAULIKROHR R-ENSEMBLE TUBE HYDRAU.	1 2 3 4 5	
18A		00G00201191	TUBO PRINCIPAL HORQ. ATLANTIS TUBO PRINCIPALE FORK TUBE, UPPER	HAUPTROHR TUBE DE FOURCHE	1 2 3 4 5	
19A		00G00204171	R-MUELLE HORQUILLA ATLANTIS MOLLA FORCELLA FORK SPRING	GABELBEINFEDER R-RESSORT FOURCHE	1 2 3 4 5	
20A		00G00202441	R-ANILLO FIJ. BARRA HORQ. ATLANTIS SCODELLINO FISSAGGIO ASSE RACE	STICHBLATT AM DEGEN CUVETTE	1 2 3 4 5	

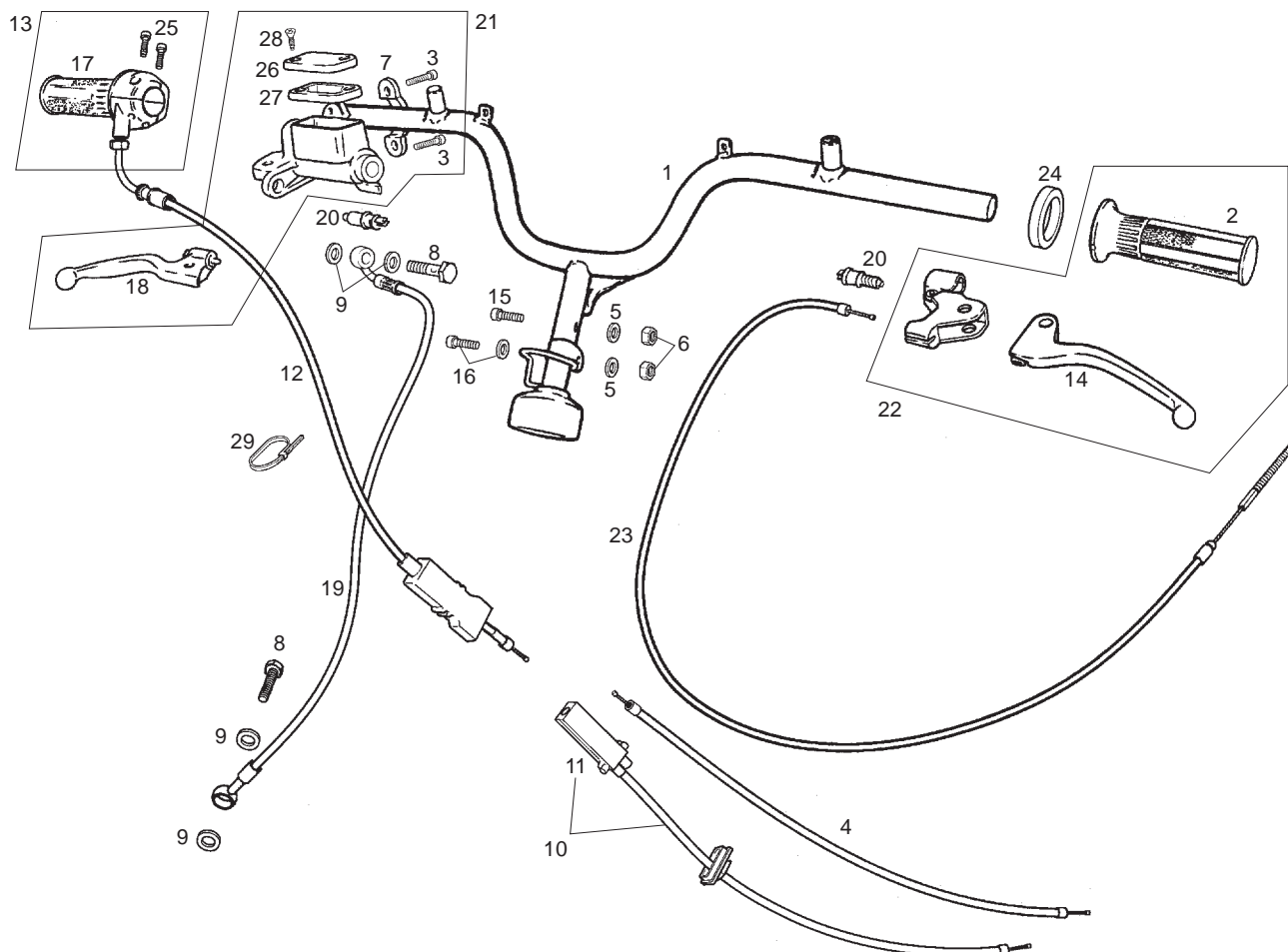


Fig.	Ver.	COD. KOD.	DESCRIPCIÓN DENOMINAZIONE NAME	BEZEICHUNG DESIGNATION	MOD.	NOTAS NOTES NOTA MITSCHRIFT NOTES
12A		00G00900181	CABLE GAS ANTERIOR CAVO THROTTLE CABLE/SLEEVE ASSY	KABEL CABLE	1 2 3 4 5	
13A		00G00906081	CTO.PUÑO GAS DIESEL MANOPOLA ACCELERATORE THROTTLE TWIST GRIP	GASGRIFF KOMPL. ENSEMBLE POIGNEE GAZ	1 2 3 4 5	
14A		00G00900291	R-MANETA FRENO.TR.1699022076. LEVA FRENO POSTERIORE REAR BRAKE LEVER	BREMSHEBEL LEVIER DE FREIN ARRIERE	1 2 3 4 5	
15A		00000004840	TORNILLO C/ALLEN.8M125X40 VITE SCREW	SCHRAUBE VIS	1 2 3 4 5	
16A		00H05900441	SCTO.TORNILLO 8M125X45 VITE SCREW	SCHRAUBE VIS	1 2 3 4 5	
17A		00F00930091	R-EMPUÑADURA GAS IMPUGNATURA ACCELERATORE GRIP, THROTTLE	GRIFFGUMMI RECHTS CAOUT. DE PIGNEE GAZ	1 2 3 4 5	
18A		00F00902291	MANETA FRENO DT LEVA FRENO ANTERIORE FRONT BRAKE LEVER	BREMSHEBEL MANETTE DU FREIN AVANT	1 2 3 4 5	
19A		00G00905751	R-CTO.TUBO LIQ.FR.DT.ATLANTIS COMPL. TUBO LIQUIDO FRENI FRONT BRAKE FLUID TUBE ASSY	BREMSSCHLAUCH R-ENS.TUYAU LIQ.FREINS AVANT H	1 2 3 4 5	
20A		00D01000701	INTERRUPTOR MANDO STOP INTERRUPTORE STOP SWITCH, STOP LIGHT	STOPSCHALTER VO. INTERRUPTEUR COMMANDE STOP	1 2 3 4 5	
21A		00G02102083	R-CTO MANDO FRENO DT POMPA FRENO ANTERIORE COMPLETA FRONT BRAKE LEVER/CYLINDER ASS	BREMSPUMPE SENDA R-ENS.COMMANDE FREIN AV.SENDA	1 2 3 4 5	
22A		00G02106611	CTO.PORTAMANETA.IZ.VECOS COMPL. PORTAMANOPOLA SINIST LEFT LEVER BRACKET	BREMSHEBEL LINKS KOMPLETT ENS. PORTE-MANETTE GAUCHE	1 2 3 4 5	

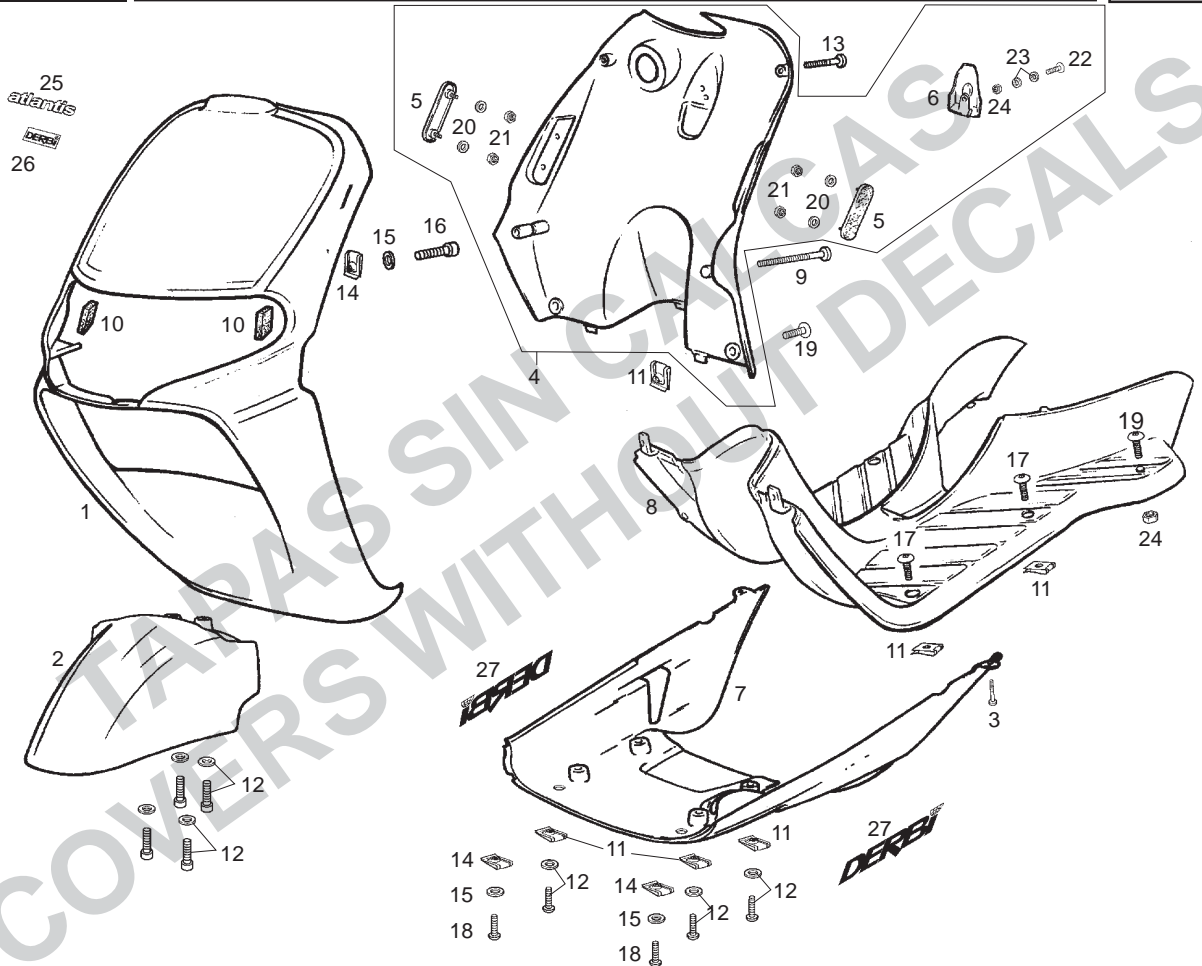


Fig.	Ver.	COD. KOD.	DESCRIPCIÓN DENOMINAZIONE NAME	BEZEICHNUNG DESIGNATION	MOD.	NOTAS NOTES NOTA MITSCHRIFT NOTES
04A		00G06803431	INTERIOR ESCUDO FRONTAL NEGRO CONTROSCUDO FRONT SHIELD INNER	FRONTSCHILD INNEN INTER.ECU FR.	1 34	
04B		00G06803432	INTERIOR ESCUDO FRONTAL GRIS CONTROSCUDO FRONT SHIELD INNER	FRONTSCHILD INNEN INTER.ECU FR.	2 5	
05A		00G04403751	CATADIOPTRICO CATADIOTTRO REFLECTOR	RÜCKSTRAHLER CATADIOPTRE	1 2 3 4 5	
06A		00G06301101	GANCHO NEGRO PARTICULA GANCIO PORTABORSA PANNIER HOOK	HAKEN CROCHET	1 34	
06B		00G06301102	GANCHO GRIS PARTICULA GANCIO PORTABORSA PANNIER HOOK	HAKEN CROCHET	2 5	
07A		00G05902861	PROTECTOR INFERIOR NEGRO PROTETTORE INFERIORE TELAIO LOWER FRAME SHIELD	SCHUTZVERKLEIDUNG FAHRGESTELL PROTECTION INF.CHASSIS	1 34	
07B		00G05902862	PROTECTOR INFERIOR GRIS PROTETTORE INFERIORE TELAIO LOWER FRAME SHIELD	SCHUTZVERKLEIDUNG FAHRGESTELL PROTECTION INF.CHASSIS	2 5	
08A		00G01504091	REPOSAPIES NEGRO APPOGGIPIEDI FOOTREST	FUSS-STUETZE REPOSE-PIED	1 34	
08B		00G01504092	REPOSAPIES GRIS APPOGGIPIEDI FOOTREST	FUSS-STUETZE REPOSE-PIED	2 5	
09A		00011055001	TORNILLO AUTRCTE.5,1X50 VITE SCREW	SCHRAUBE VIS	1 2 3 4 5	
10A		00G05700101	TOPE FARO DTRO.ATLANTIS FERMO FARO HEADLIGHT STOP	ANSCHLAG SCHEINWERFER BUTEE PHARE	1 2 3 4 5	

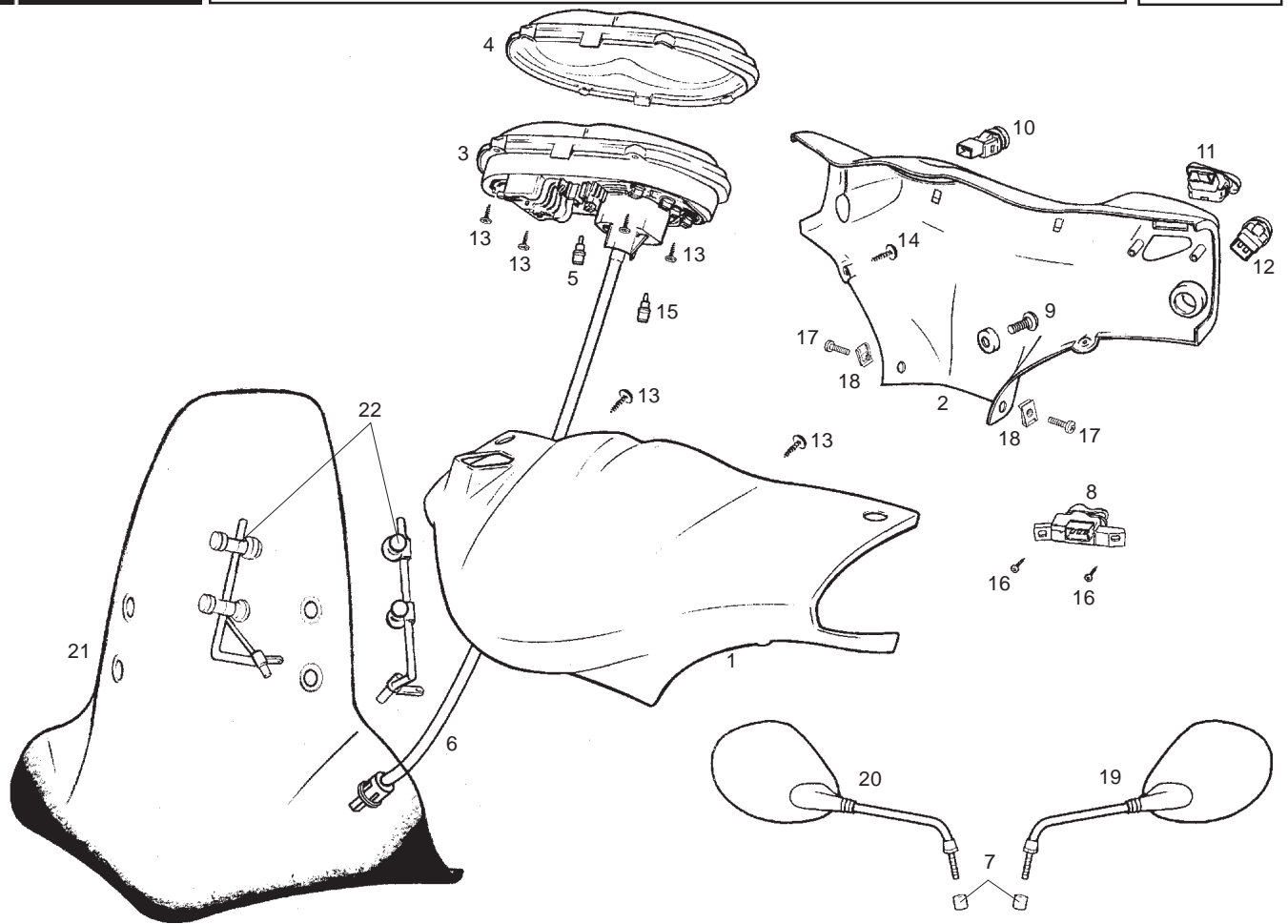


Fig.	Ver.	COD. KOD.	DESCRIPCIÓN DENOMINAZIONE NAME	BEZEICHNUNG DESIGNATION	MOD.	NOTAS NOTES NOTA MITSCHRIFT NOTES
18A		00G04401462	TUERCA FIJACION D5 DADO NUT	MUTTER ECROU	1 2 3 4 5	
19A		00G04610921	CTO. ESPEJO RETROVISOR IZQUIERDO SPECHIO S. MIRROR L.	SPIEGEL LINKE RÉTROVISEUR GAUCHE	1 2 3 4 5	
20A		00G02209671	CTO. ESPEJO RETROVISOR DERECHO SPECHIO D. MIRROR R.	SPIEGEL RECHT RÉTROVISEUR DROITE	1 2 3 4 5	

**ACCESORIOS OPCIONALES / ACCESORI OPCIONALE / OPTIONAL ACCESORIES / WERKZEUG / OTILS FOURNIS**

21A		00G01502751	CTO.PARABRISAS DT.ATLANTIS PARABREZZA ANTERIORE WINDSCREEN KIT ASSY	WINDSCHUTZSCHEIBE VORNE PARE-BRISE AVANT	1 2 3 4 5	
22A		00G05203611	SOPORTE PARABRISAS APOGGIO PARABREZZA WINDSCREEN SUPPORT	WINDSCHUTZSCHEIBE STUTZE APPUI PARE-BRISE	1 2 3 4 5	

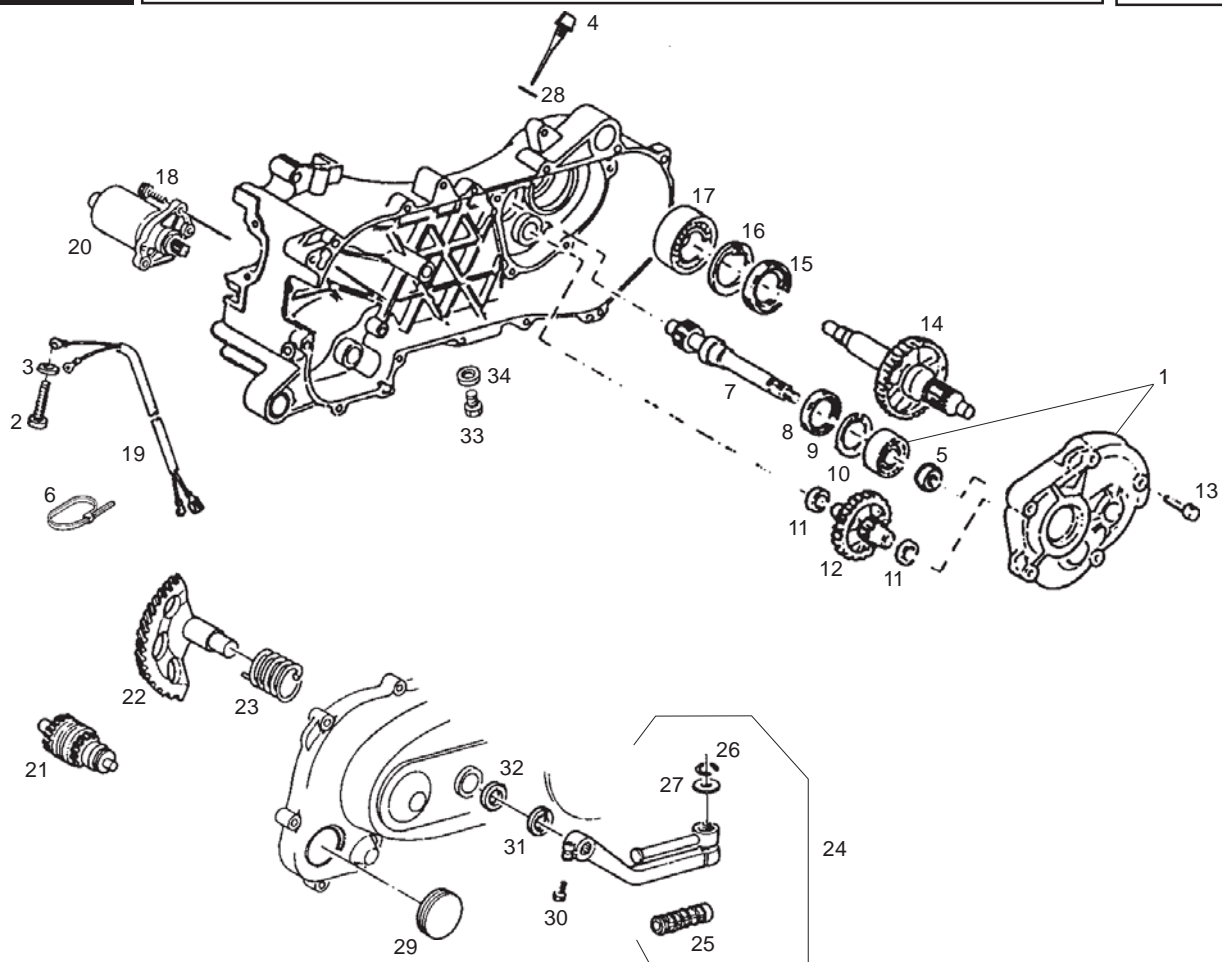


Fig.	Ver.	COD. KOD.	DESCRIPCIÓN DENOMINAZIONE NAME	BEZEICHNUNG DESIGNATION	MOD.	NOTAS NOTES NOTA MITSCHRIFT NOTES
21A		82531R	GRUPO REENVÍO GRUPPO RINVIO PINION, ASSY	RITZEL ENSAMBLE RENVOI	1 2 3 4 5	
22A		831458	EJE ARRANQUE ASSE M.M. START.SHAFT	KICKERSEGMENT ARBRE DÉMARR.	1 2 3 4 5	
23A		289495	MUELLE MOLLA SPRING	FEDER RESSORT	1 2 3 4 5	
24A		286214	PALANCA DE ARRANQUE LEVA M.MOTO START. LEVER	KICKSTARTERHEBEL LEVIER DU DÉMARRAGE	1 2 3 4 5	
25A		286217	PROTECCIÓN PROTEZIONE PROTECTION	SCHUTZSTÜCK PROTECTION	1 2 3 4 5	
26A		288041	ANILLO ANELLO RING	RING CIRCLIPS	1 2 3 4 5	
27A		286219	ARANDELA RONDELLA WASHER	SCHEIBE RONDELLE	1 2 3 4 5	
28A		827085	JUNTA GUARNIZIONE PACKING	DICHTUNG JOINT	1 2 3 4 5	
29A		483859	TAPÓN TAPPO PLUG	VERSCHLUß BOUCHON	1 2 3 4 5	
30A		414837	TORNILLO VITE SCREW	SCHRAUBE VIS	1 2 3 4 5	

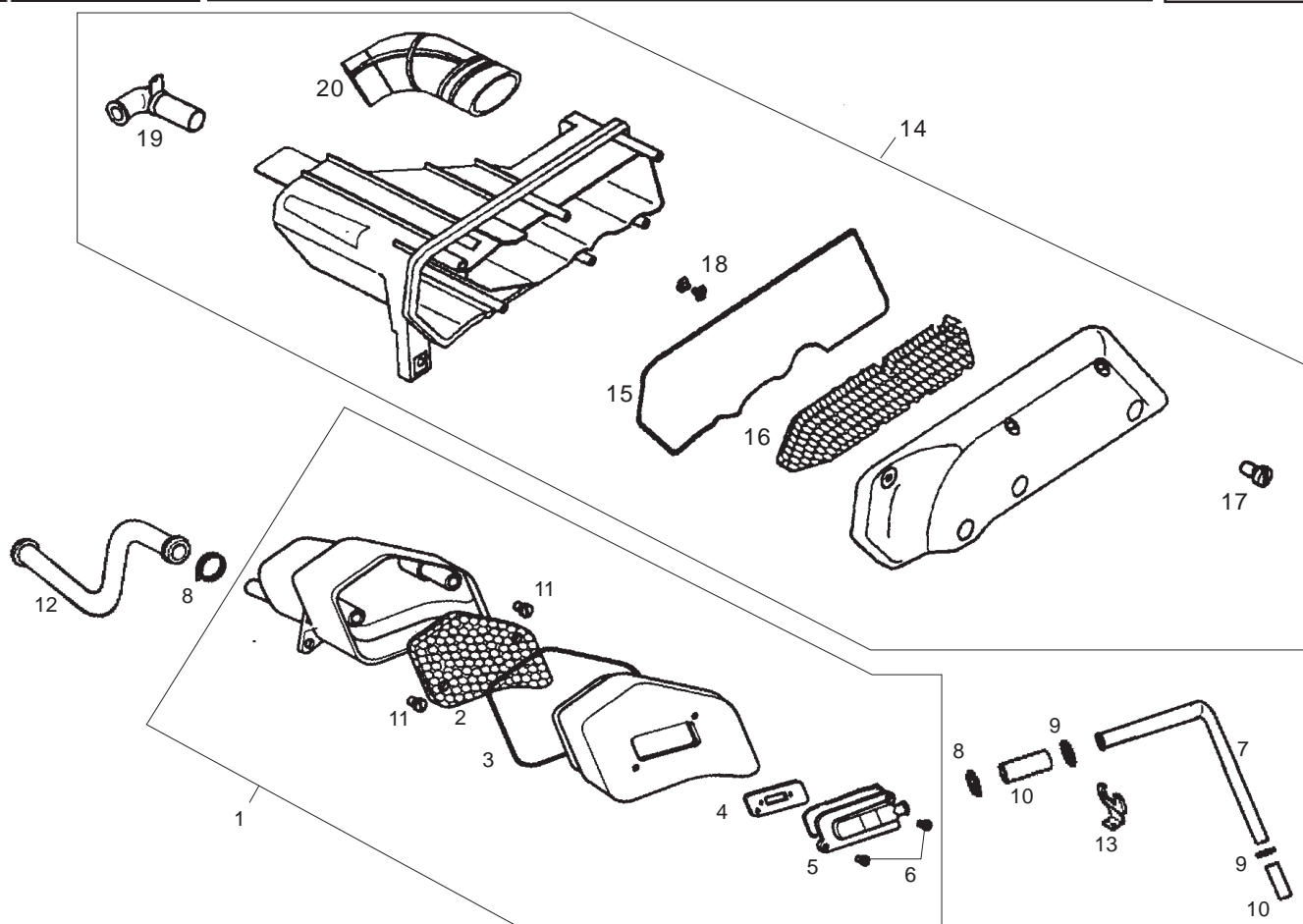


Fig.	Ver.	COD. KOD.	DESCRIPCIÓN DENOMINAZIONE NAME	BEZEICHNUNG DESIGNATION	MOD.	NOTAS NOTES NOTA MITSCHRIFT NOTES
01A		8318594	CAJA AIRE SECUNDARIO SCATOLA FILTRO FILTER BOX	SICHERUNGSKASTEN BOÏTIER DU FILTRE	1 2 3 4 5	
02A		486942	FILTRO DE AIRE FILTRO ARIA AIR FILTER	LUFTFILTER FILTRE À AIR	1 2 3 4 5	
03A		486943	JUNTA GUARNIZIONE PACKING	DICHTUNG JOINT	1 2 3 4 5	
04A		832356	SOPORTE LAMINAS SUPPORTO LAMELLE REEDS BRACKET	EINLASSMEMBRAN SUPPORT LAMELLES	1 2 3 4 5	
05A		827209	TAPA COPERCHIO COVER	DECKEL COUVERCLE	1 2 3 4 5	
06A		478533	TORNILLO VITE SCREW	SCHRAUBE VIS	1 2 3 4 5	
07A		00G04204721	TUBO AIRE SECUNDARIO ATL O2 E2 PG TUBO TUBE	SCHLAUCH TUYAU	1 2 3 4 5	
08A		CM001905	ABRAZADERA FASCETTA CLAMP	SHELLE COLLIER	1 2 3 4 5	
09A		00H03800751	ABRAZADERA FASCETTA CLAMP	SHELLE COLLIER	1 2 3 4 5	
10A		00G04200731	MANGUITO TUBO AIRE SECUNDARIO MANICOTTO SLEEVE	MUFFE MANCHON	1 2 3 4 5	
11A		015597	TORNILLO VITE SCREW	SCHRAUBE VIS	1 2 3 4 5	

CLICK HERE TO **DOWNLOAD** THE COMPLETE MANUAL

- Thank you very much for reading the preview of the manual.
- You can download the complete manual from: [www.heydownloads.com](http://www.heydownloads.com) by clicking the link below



- Please note: If there is no response to CLICKING the link, please download this PDF first and then click on it.

CLICK HERE TO **DOWNLOAD** THE COMPLETE MANUAL