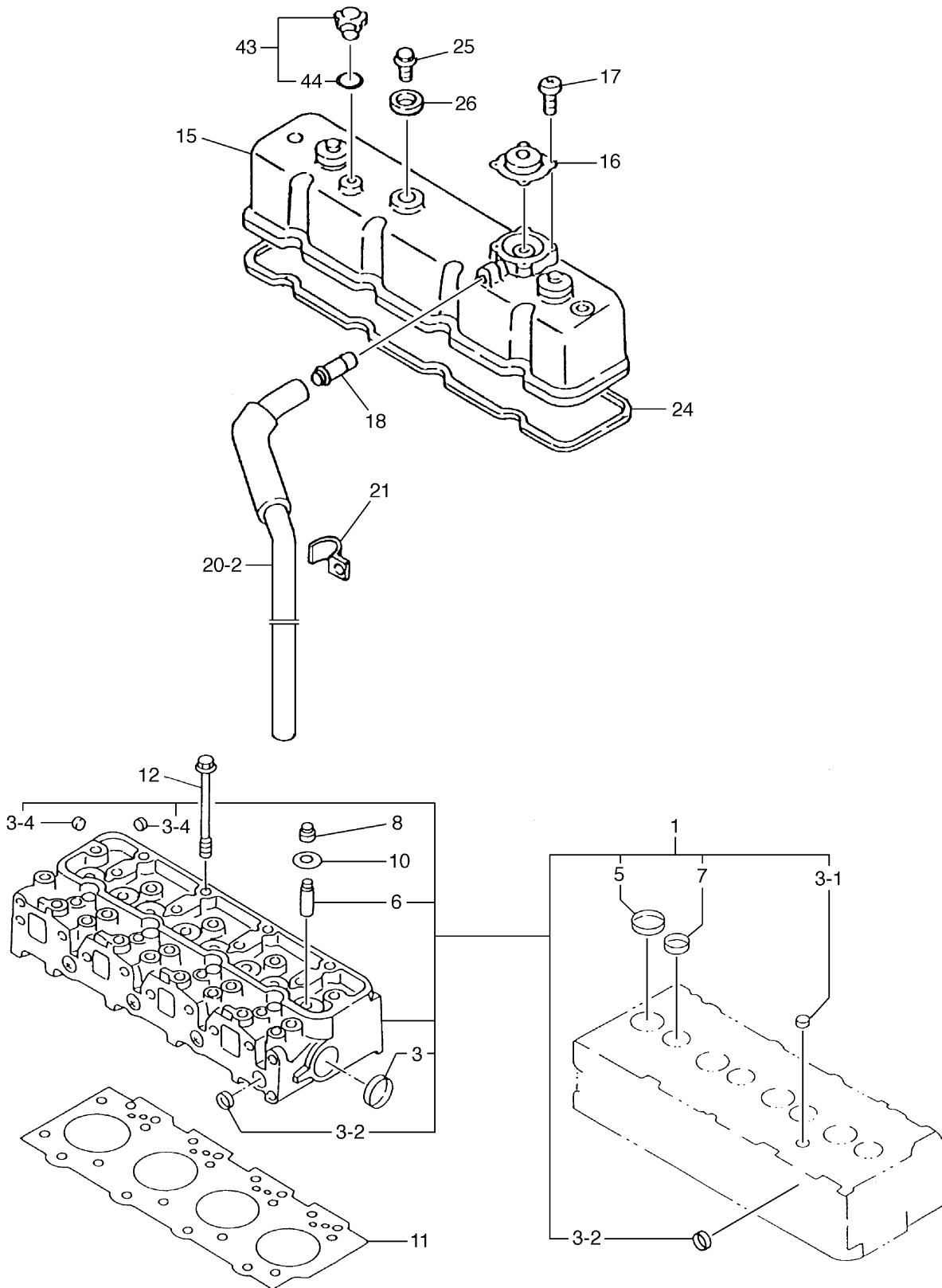


Fig. 010 CYLINDER HEAD [1 ~ 1256]



CLICK HERE TO **DOWNLOAD** THE COMPLETE MANUAL

- Thank you very much for reading the preview of the manual.
- You can download the complete manual from: www.heydownloads.com by clicking the link below



- Please note: If there is no response to CLICKING the link, please download this PDF first and then click on it.

CLICK HERE TO **DOWNLOAD** THE COMPLETE MANUAL

Fig. 050 OIL PUMP [1 ~ 1256]

Key No	Part No	Description	Qty	S.C	Serial No	ICA	Replacable	Qty
1	894362-9233	OIL PUMP ASS'Y	1					
3	897044-1120	REPAIR KIT:OIL PUMP	1					
7	913140-1200	STRAINER ASS'Y	1					
8	-	PINION	1	D				
9	901900-8250	BOLT:CASE M8X25	4					
10	894338-0790	PIPE ASS'Y	1					
11	913143-0100	STRAINER:OIL	1					
12	913113-0771	COVER:OIL PUMP	1					
20	050140-8250	BOLT	2					

Fig. 100 COOLING SYSTEM(FAN,WATER &

Key No	Part No	Description	Qty	S.C	Serial No	ICA	Replacable	Qty
1	894338-8480	WATER PUMP	1					
3	894322-7941	REPAIR KIT;WATER PUMP	1					
7	894250-1630	IMPELLER	1					
8	894110-5600	UNIT BEARING	1					
10	894422-3260	SEAL UNIT	1					
11	894452-0910	CENTER	1					
12	913639-0010	THROWER	1					
14	909814-0141	SCREW	1					
15	909150-5080	WASHER;SPRING	1					
18	894178-0810	GASKET;PUMP	1					
20	509000-0841	BOLT;IDLE SHAFT 55L	5					
21	904110-8220	STUD;WATER PUMP FIX	2					
22	894224-8290	NUT;WATER PUMP	2					
25-3	894254-6011	PIPE;WATER OUTLET	1					
26	894365-6741	GASKET;OUTLET PIPE	1					
29	894214-9620	THERMOSTAT	1					
30	894428-8120	HOUSING;THERMOSTAT	1					
32-2	894109-6811	HOSE;RUBBER BY PASS	1					
33	909715-0531	CLIP;BY PASS HOSE	2					
34	894365-6750	PACKING;HOUSING	1					
35	050040-8300	BOLT;CRANK CASE	3					
35	050140-8300	BOLT;OIL FILTER	2					
35	050040-8700	BOLT;SEMS.HOUSING	2					
36	894427-3602	PULLEY;COOLING FAN D130	1					
37	913642-0780	SPACER;FAN	1					
38	509605-0050	PLUG;HEATER PT3/8	2					
38-1	909661-0050	PLUG;SWITCH M16X8	1					
39	909571-3160	PACKING;PLUG	1					
40-1	894342-6180	FAN D450 7 BLADE	1					
43	050040-8450	BOLT;GEAR CASE M8X45	4					
45	894479-1010	BELT;COOLING 1041L	1					
48	894434-0711	PIPE;WATER INLET	1					
50	894365-6762	GASKET;WATER PIPE	1					
51	050040-8220	BOLT;OIL PIPE	2					

Fig. 150 NOZZLE [1 ~ 1256]

Key No	Part No	Description	Qty	S.C	Serial No	ICA	Replacable	Qty
-	897134-5240	NOZZLE:INJECTION	4					
1	897134-5250	NOZZLE:FUEL INJECTION	4					
2	894442-2250	HOLDER ASS'Y:NOZZLE	4					
3	894174-1390	PIN	8					
4	894312-7230	SEAT:NOZZLE SPRING	4					
5	894174-1410	SPRING	4					
6	894174-1420	SHIM T=0.500	-	R				
6	894174-1430	SHIM T=0.525	-	R				
6	894174-1440	SHIM T=0.550	-	R				
6	894174-1450	SHIM T=0.575	-	R				
6	894174-1460	SHIM T=0.600	-	R				
6	894174-1470	SHIM T=0.625	-	R				
6	894174-1480	SHIM T=0.650	-	R				
6	894174-1490	SHIM T=0.675	-	R				
6	894174-1500	SHIM T=0.700	-	R				
6	894174-1510	SHIM T=0.725	-	R				
6	894174-1520	SHIM T=0.750	-	R				
6	894174-1530	SHIM T=0.775	-	R				
6	894174-1540	SHIM T=0.800	-	R				
6	894174-1550	SHIM T=0.825	-	R				
6	894174-1560	SHIM T=0.850	-	R				
6	894174-1570	SHIM T=0.875	-	R				
6	894174-1580	SHIM T=0.900	-	R				
6	894174-1590	SHIM T=0.925	-	R				
6	894174-1600	SHIM T=0.950	-	R				
6	894174-1610	SHIM T=0.975	-	R				
6	894174-1620	SHIM T=1.000	-	R				
6	894174-1630	SHIM T=1.025	-	R				
6	894174-1640	SHIM T=1.050	-	R				
6	894174-1650	SHIM T=1.075	-	R				
6	894174-1660	SHIM T=1.100	-	R				
6	894174-1670	SHIM T=1.125	-	R				
6	894174-1680	SHIM T=1.150	-	R				
6	894174-1690	SHIM T=1.175	-	R				
6	894174-1700	SHIM T=1.200	-	R				
6	894174-1710	SHIM T=1.225	-	R				

Key No	Part No	Description	Qty	S.C	Serial No	ICA	Replacable	Qty
33	115729-8920	SHIM T=3.0	-	R				
33	115729-8930	SHIM T=4.0	-	R				
35	981322-2350	SPRING	1					
36	894427-8480	CAPSULE;SPRING	1					
37	515729-2090	NUT	1					
38	894144-5880	GASKET	2					
39	115729-0920	CAP;LOCK NUT	1					
40	115729-2790	CAPSULE;SPRING	1					
41	900813-0230	NUT	1					
42	897046-4250	LEVER	1					
43	897024-2390	BUSH	1					
44	981321-2050	GASKET	2					
45	909185-4150	RING;SNAP	2					
46	115729-0980	SEAL;OIL	1					
47	115729-0990	SHIM	1					
48	981325-0970	SHIM T=0.3	-	R				
50	981325-0300	KEY	1					
51	115729-3010	COLLAR	1					
52	981325-4880	WASHER	-	R				
53	115725-0150	LEVER ASS'Y;GUIDE	1					
54	115725-0110	LINK	1					
55	909185-4040	RING;SNAP	1					
56	515725-0500	LEVER	1					
57	981325-0620	PIN	1					
58-1	894441-8410	LEVER	1					
59	894167-7970	LEVER	1					
60	901900-6160	BOLT	1					
61	981391-9060	O-RING	1					
62	981325-2100	CAP	1					
63	115725-0170	LEVER ASS'Y	1					
65	115723-2190	SPRING	1					
66	115729-2940	SHIM T=0.2	-	R				
66	115729-2950	SHIM T=0.25	-	R				
66	115729-2960	SHIM T=0.3	-	R				
66	115729-2970	SHIM T=0.35	-	R				
66	115729-2980	SHIM T=0.4	-	R				
66	115729-2990	SHIM T=0.5	-	R				
67	115779-0930	GASKET	1					

Fig. 300 CYLINDER HEAD COVER [1257 ~

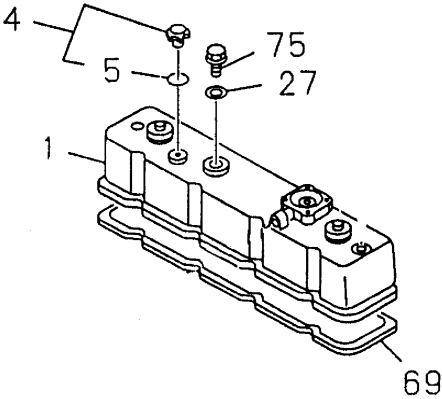


Fig. 340 CAMSHAFT & VALVE [1257 ~]

Key No	Part No	Description	Qty	S.C	Serial No	ICA	Replacable	Qty
1	894127-7974	CAM SHAFT	1					
4	894133-2751	VALVE:INLET	4					
5	894247-8751	VALVE:EXHAUST	4					
9	894324-3360	GEAR:CAM SHAFT	1					
10	894110-4801	PLATE:THRUST	1					
11	050040-8160	BOLT M8X16	2					
14	908000-7180	KEY:CAM SHAFT	1					
28	509000-0690	BOLT:CAM GEAR	1					
53	894152-3460	SHAFT:ROCKER ARM	1					
55	912626-0050	PLUG:END ROCKER SHAFT	2					
56	909180-0190	RING:SNAP	2					
65	512565-0040	COLLAR:SPLIT	16					
69	894252-5361	SPRING:VALVE OUTER	8					
71	894133-7312	SEAT:SPRING OD=32.8	8					
71A	512563-0010	SEAT SPRING LOWER	8					
78	894125-3440	ARM:ROCKER	8					
81	894152-2831	SCREW M8X30	8					
83	909111-5080	NUT	8					
84	894152-3451	BRACKET:ROCKER SHAFT	4					
85	894433-3020	BOLT:BRACKET M10X60	1					
87	894433-3040	BOLT:ROCKER ARM	3					
88	894143-2020	ROD:PUSH	8					
89	894438-3050	TAPPET	8					
94	909164-0100	WASHER:PLAIN	4					
104	894109-7061	BOLT M12X67	1					
106	512519-0021	WASHER:CAM GEAR	1					
109	894109-9131	SHAFT:IDLE GEAR	1					
113	897147-3340	GEAR:IDLE	1					
226	894433-3030	SPRING:ROCKER ARM	3					
305	894110-2710	BEARING:IDLE SHAFT	1					

Fig. 390 EXHAUST MANIFOLD [1257 ~]

Key No	Part No	Description	Qty	S.C	Serial No	ICA	Replacable	Qty
1	894428-8031	MANIFOLD;EXHAUST	1					
2	897109-2161	GASKET;EXHAUST	1					
15	050040-8300	BOLT;CRANK CASE	6					
18	909110-4080	NUT;CRANK CASE	2					
111	909150-5080	WASHER;SPRING	2					
172	897016-1010	GASKET;EXHAUST PIPE	1					

Fig. 440 FAN & FAN BELT [1257 ~]

Key No	Part No	Description	Qty	S.C	Serial No	ICA	Replacable	Qty
1	894342-6181	FAN;COOLING	1					
19	909164-7060	WASHER;PLAIN	4					
28	050040-6500	BOLT M6X50	4					
36	2106-1021D12	BELT;FAN	1					
38	897063-4003	SPACER;FAN-PULLEY T=4.5	1					
71	028080-8200	BOLT INJ PUMP FIX	1					
80	897184-2640	PLATE	1					
81	897086-2281	PIECE	1					
82	909110-5080	NUT;LEVER TO SHAFT	1					
94	909150-5080	WASHER;SPRING	1					
96	894388-1780	BOLT	1					
110	020800-6120	BOLT;PULLEY-W/PUMP	4					
175	909164-7080	WASHER	1					

Fig. 490 OIL FILTER [1257 ~]

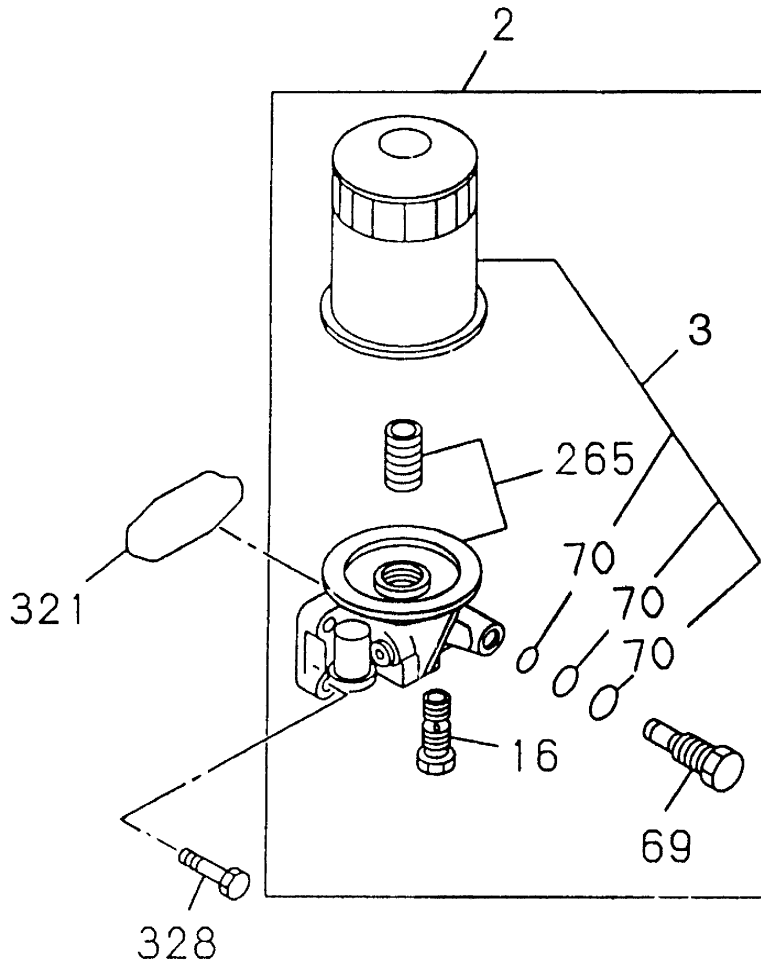


Fig. 540 GENERATOR [1257 ~]

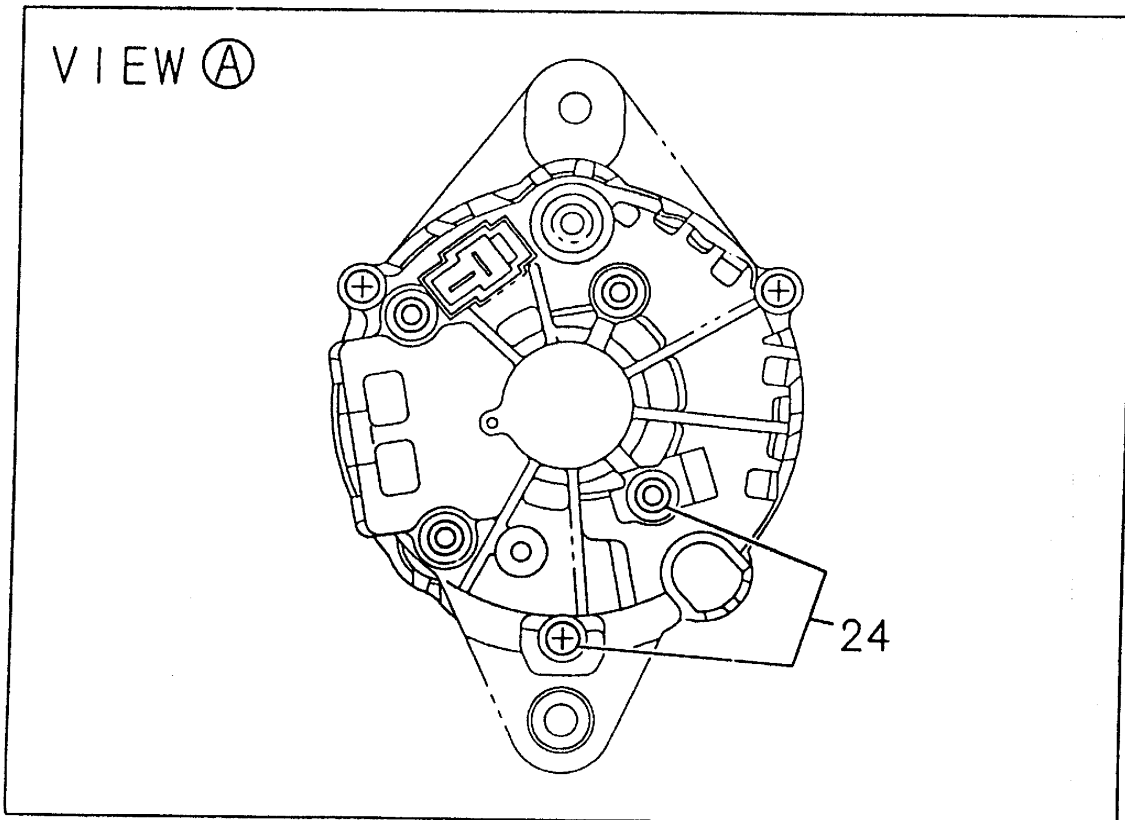
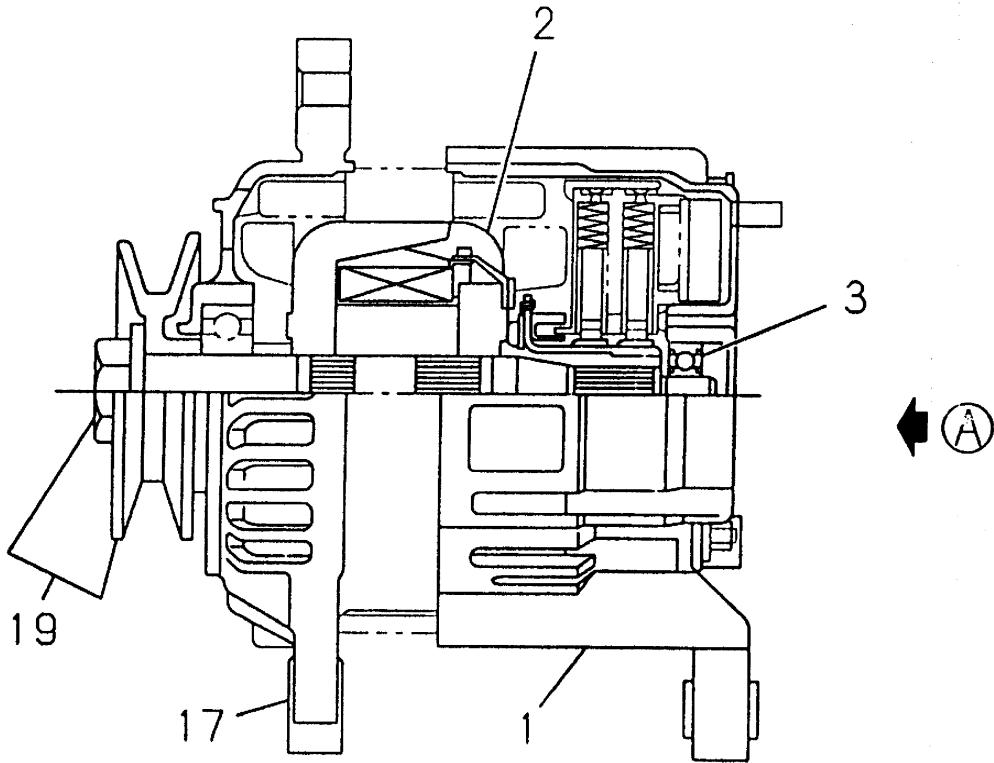


Fig. 570 FEED PUMP [1257 ~]

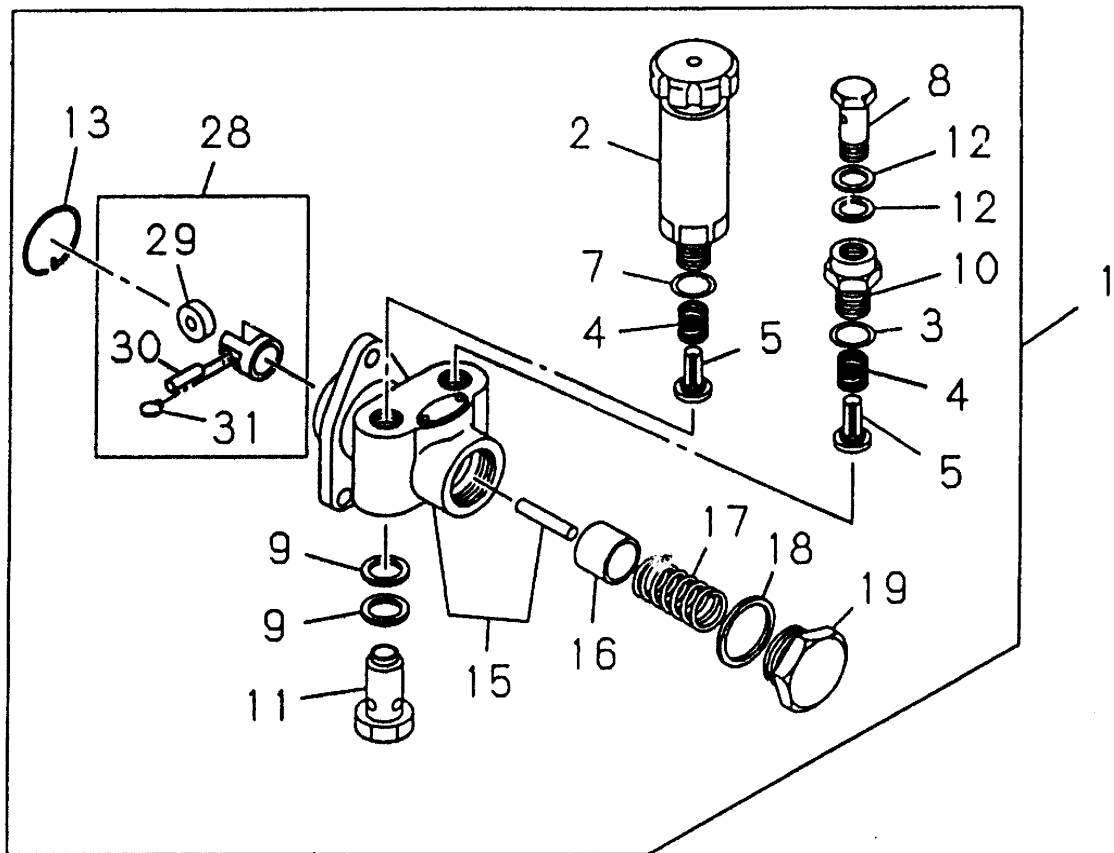
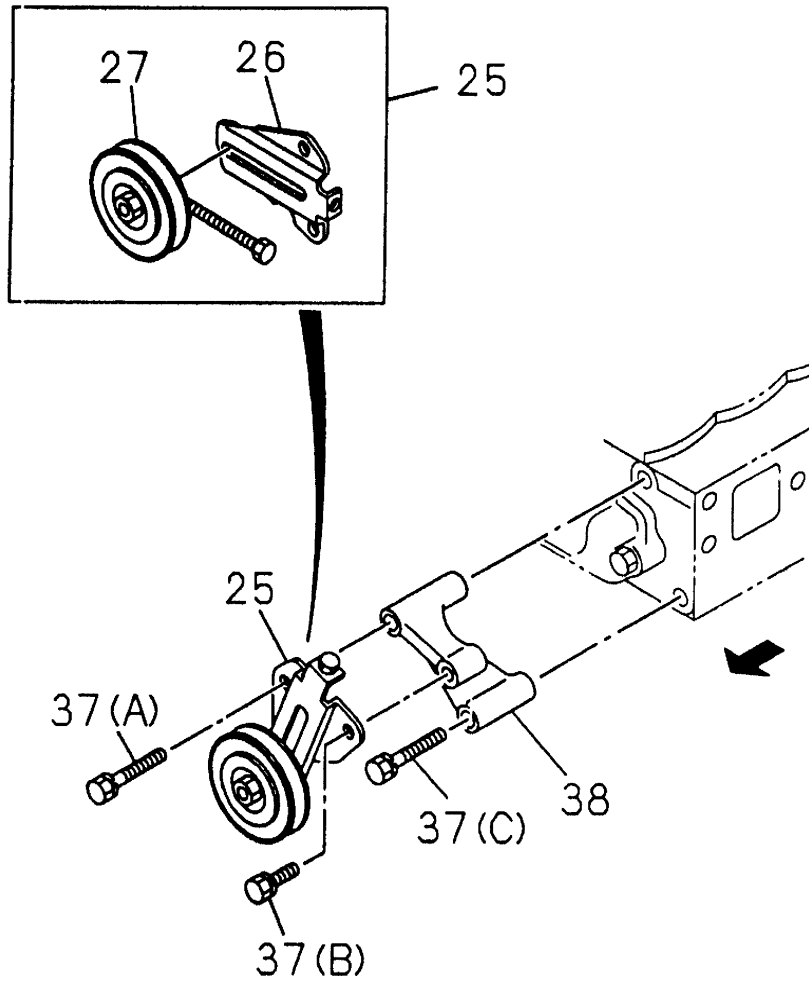


Fig. 620 AIR CONDITIONING [1257 ~]



Key No	Part No	Description	Qty	S.C	Serial No	ICA	Replacable	Qty
52	2185-1682A	HOSE	1		538~970			
52	2185-1682B	HOSE	1		971~			
53	2124-1024D1	CLAMP;HOSE	2					
54	S0514753	BOLT M12X1.75X18	2		1~970			
54	S0514753	BOLT M12X1.75X18	1		971~			
55	2621-3984	PLATE;SURGE TANK	1		1~970			
55	621-00082	PLATE;SURGE TANK	1		971~			
57	2412-1077	PLATE	1		8~97			
57	2412-1077A	PLATE	1		98~			
61	2114-1058D70	WASHER	1		98~			
62	2161-1744	RUBBER	1		98~			

Fig. 1230 PILOT PIPING(2)

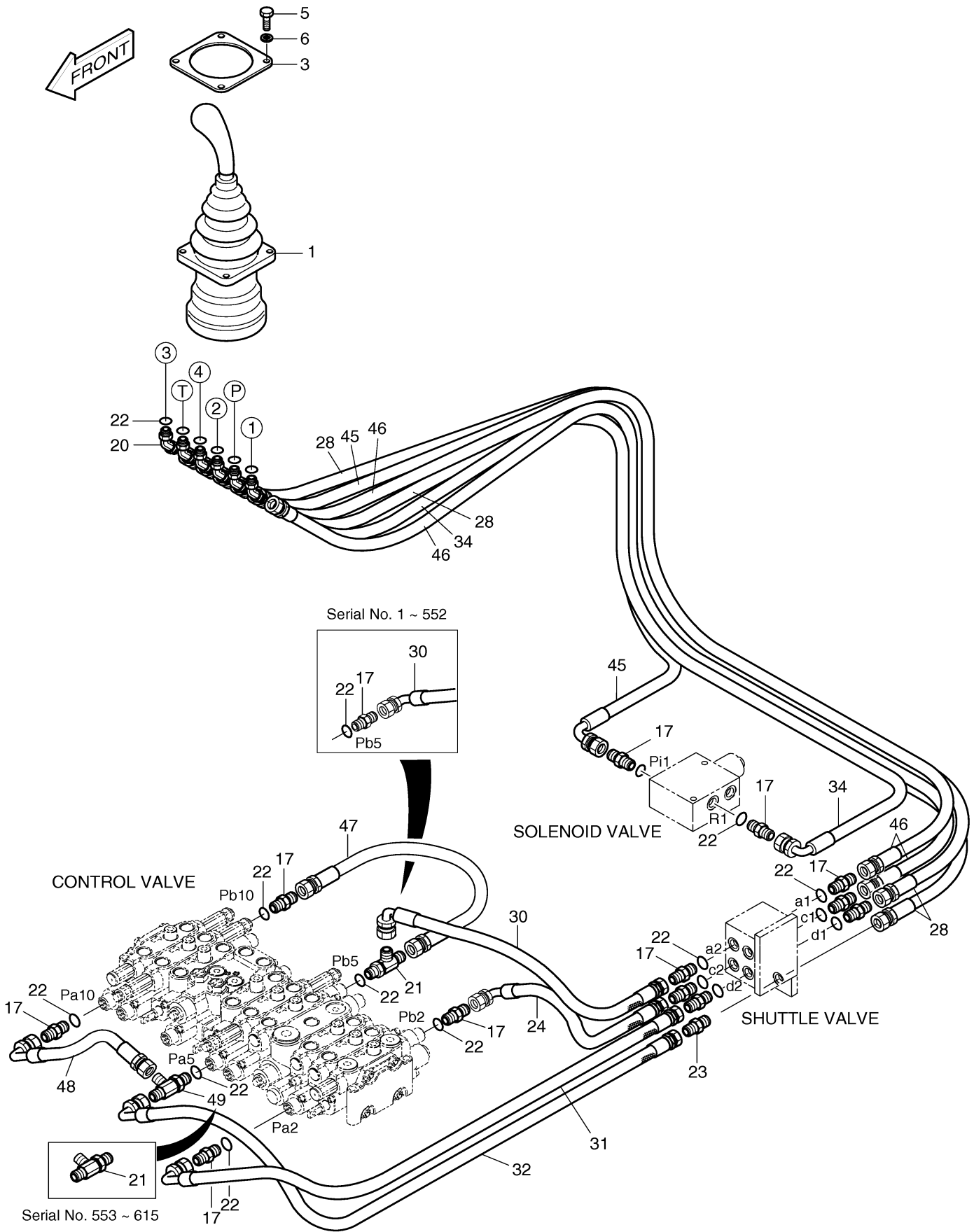
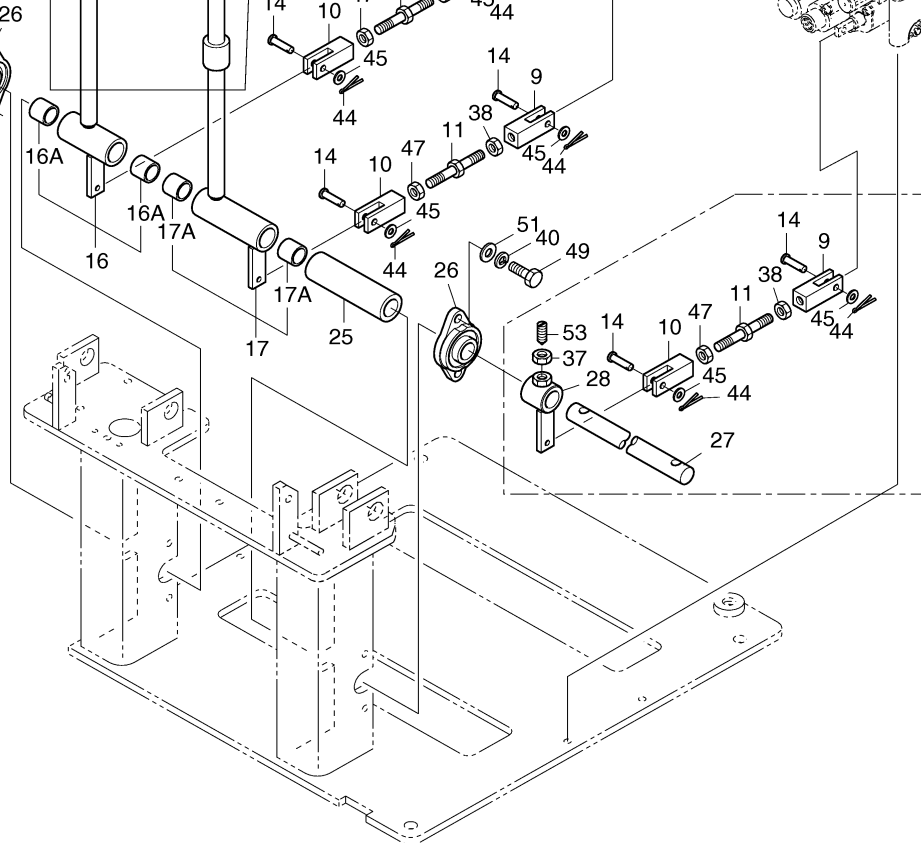
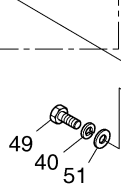
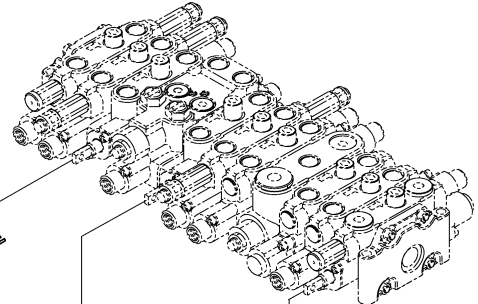
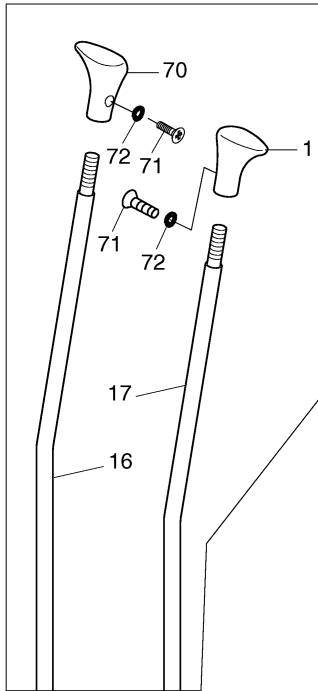
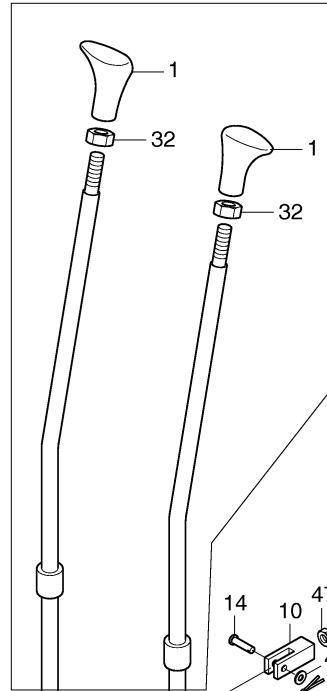
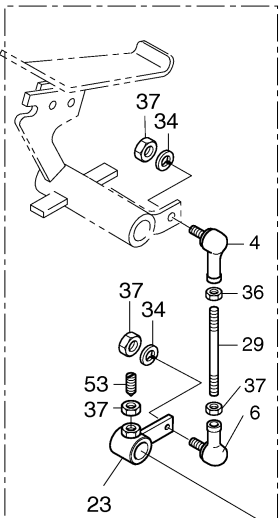


Fig. 1260 CONTROL LEVER SYSTEM(2) [1

Serial No. 515 ~



Serial No. 1 ~ 514



Key No	Part No	Description	Qty	S.C	Serial No	ICA	Replacable	Qty
41	2114-1058D61	WASHER	1					
44	S5010713	WASHER:PLAIN M12	1					
45	S5102703	WASHER:SPRING M12	1					
46	2136-1331D4	ROD M8X1.25	1					

Key No	Part No	Description	Qty	S.C	Serial No	ICA	Replacable	Qty
45-47	2161-2186	DAMPER	1		606~			
45-48	2161-2486	RUBBER	1		606~			
45-49	2114-1898D1	WASHER	2		606~			
46	2129-1432	SPRING	1		243~990			
48	2142-9003	STRIKER	1					
49	2120-2143	SCREW	2					
50	S5200603	WASHER	2		1~990			
50	S8000081	O-RING	2		991~			
51	2198-1061	RUBBER:TRIM	1					
53	2621-3690	FINISHER	2					
54	2122-1002D3	RIVET	6					
55	2114-1840	SHIM	1					
56	2114-1839	SHIM	1					
77	2125-9028	LOCK ASS'Y	1		1~605	Y	2125-9049	1
77	2125-9049	LOCK ASS'Y	1		606~			
78	2133-2001	LEVER	1					
79	2160-1292	COVER	1					
80	2129-1442	SPRING	1					
81	2123-2229	PIN	1					
82	S5010313	WASHER	1					
83	S5102303	WASHER:SPRING	2					
84	2891-1230	GUIDE	1					
85	S3450973	SCREW M6X1.0X16	2					
86	S0508853	BOLT	4					
87	S5010513	WASHER,PLAIN:M8	4					
88	S5102503	WASHER,SPRING:M8	4					
99	S4012333	NUT	1					

Fig. 1331 ELECTRIC BOX [991 ~]

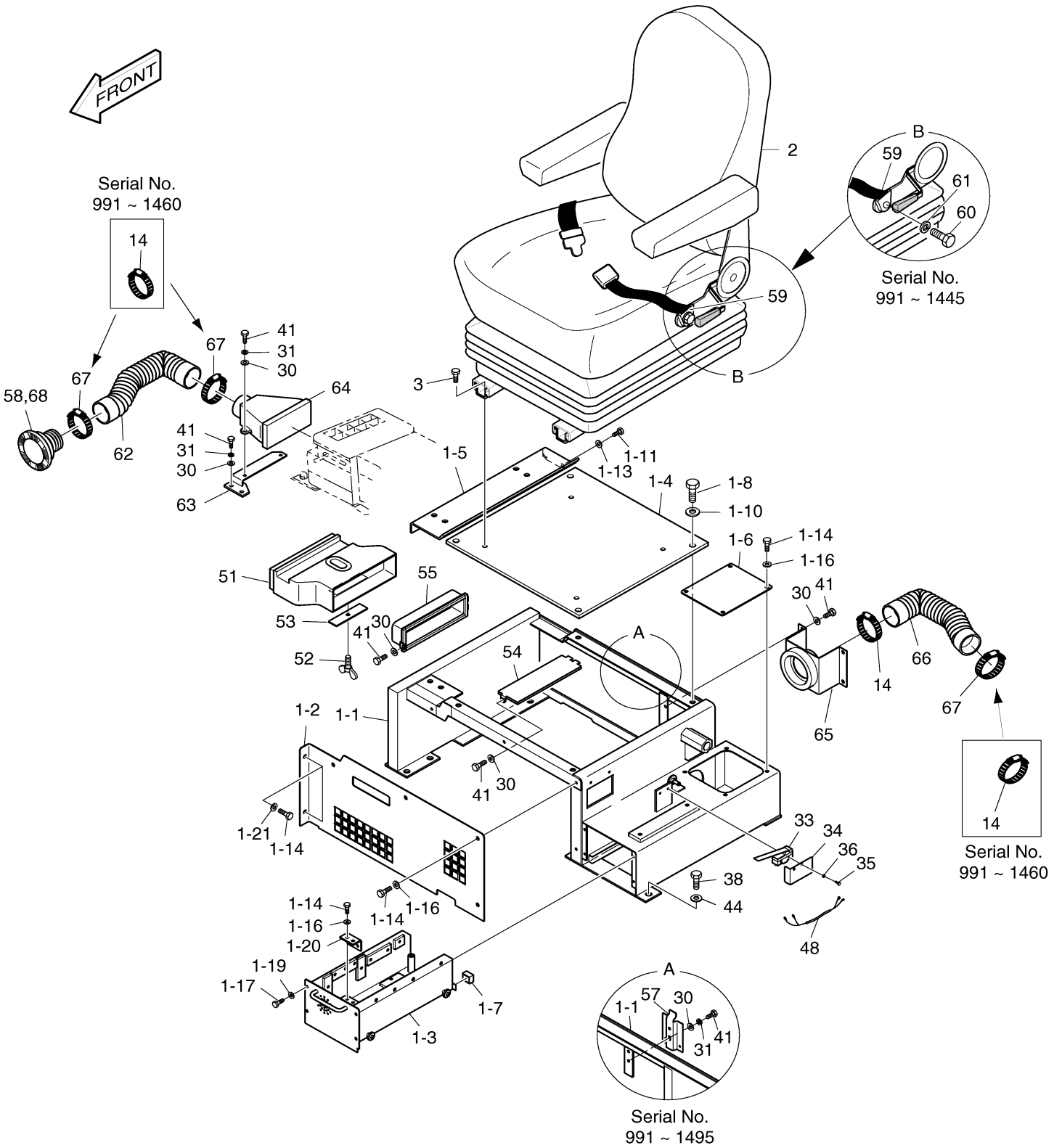
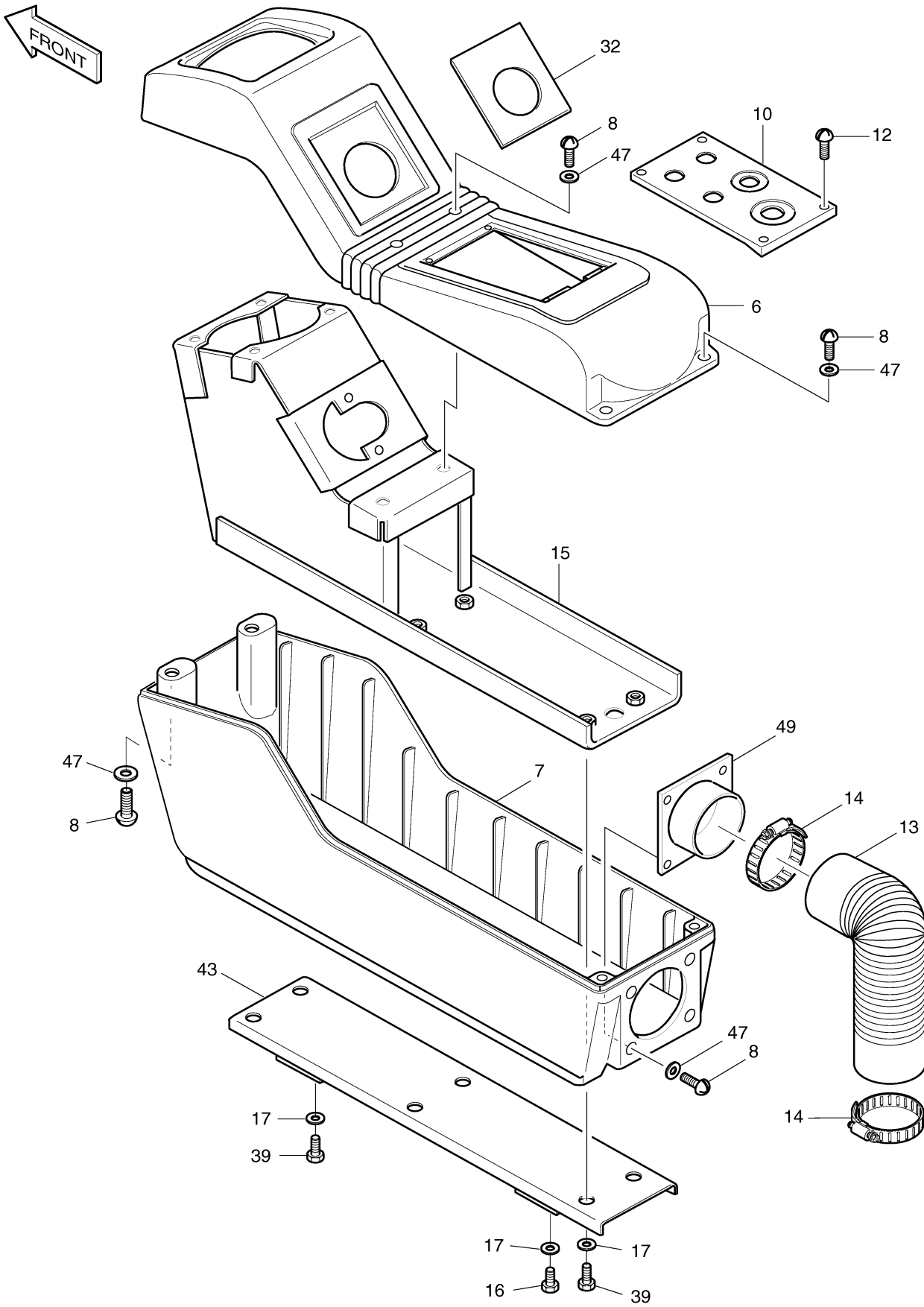


Fig. 1351 CONTROL STAND-RH [991 ~]



Key No	Part No	Description	Qty	S.C	Serial No	ICA	Replacable	Qty
--------	---------	-------------	-----	-----	-----------	-----	------------	-----

CLICK HERE TO **DOWNLOAD** THE COMPLETE MANUAL

- Thank you very much for reading the preview of the manual.
- You can download the complete manual from: www.heydownloads.com by clicking the link below



- Please note: If there is no response to CLICKING the link, please download this PDF first and then click on it.

CLICK HERE TO **DOWNLOAD** THE COMPLETE MANUAL

Key No	Part No	Description	Qty	S.C	Serial No	ICA	Replacable	Qty
32	2530-1701B	HARNESS:MAIN	1		318~552			
32	2530-1701C	HARNESS:MAIN	1		553~990			
32	2530-1701E	HARNESS:MAIN	1		991~1510			
32	2530-1701G	HARNESS:MAIN	1		1511~1585			
32	2530-1701H	HARNESS:MAIN	1		1586~1914			
32	2530-1701I	HARNESS:MAIN	1		1915~2220			
32	2530-1701J	HARNESS:MAIN	1		2221~2968			
32	2530-1701K	HARNESS:MAIN	1		2969~			
33	2530-1653	HARNESS:WORKING LAMP	1					
34	1550-1003	TERMINAL:BATTERY(-)	1		1~726	Y	2550-1014D2	1
34	2550-1014D2	TERMINAL:BATTERY(-)	1		727~			
35	1550-1004	TERMINAL:BATTERY(+)	1		1~726	Y	2550-1014D1	1
35	2550-1014D1	TERMINAL:BATTERY(+)	1		727~			
36	2160-1212	CAP:BATT. TML (+)	1					
37	2160-1213	CAP:BATT. TML (-)	1					
38	2553-1261D4	CABLE:BATT.-EARTH L450	1					
39	S0508653	BOLT	2					
40	S5102503	WASHER,SPRING:M8	2					
41	S5010513	WASHER,PLAIN:M8	2					
42	2553-1275D29	CABLE:BATT.-RELAY L300	1					
43	2553-1275D33	CABLE:RELAY-STARTER L4000	1		1~287			
43	2553-1275D44	CABLE:RELAY-STARTER L4000	1		288~			
45	S0711353	BOLT M10X1.25X10	1					
46	S5102603	WASHER,SPRING:M10	1					
47	2170-9008	INDICATOR	1		1~1000	Y	2170-1003	1
47	2170-1003	INDICATOR	1		1001~			
48	2124-1509D1	CLIP	6		1~1585			
48	2124-1509D1	CLIP	7		1586~			
49	2124-1509D2	CLIP	8					
50	2124-1509D3	CLIP D24/M8	4					
51	2124-1509D5	CLIP D36/M8	7					
52	2121-1305	NUT	25					
53	2124-1622D1	CLIP:BAND	10					
54	2124-1622D2	CLIP:BAND 200L	10		1~287			
54	2124-1622D2	CLIP:BAND 200L	12		288~			
55	2124-1622D3	CLIP:BAND 280L	10					
56	2197-1884A	BRACKET;HOUSING	1		1~525			
57	S0508653	BOLT	1		1~525			

Fig. 1450 CONDENSER ASS'Y

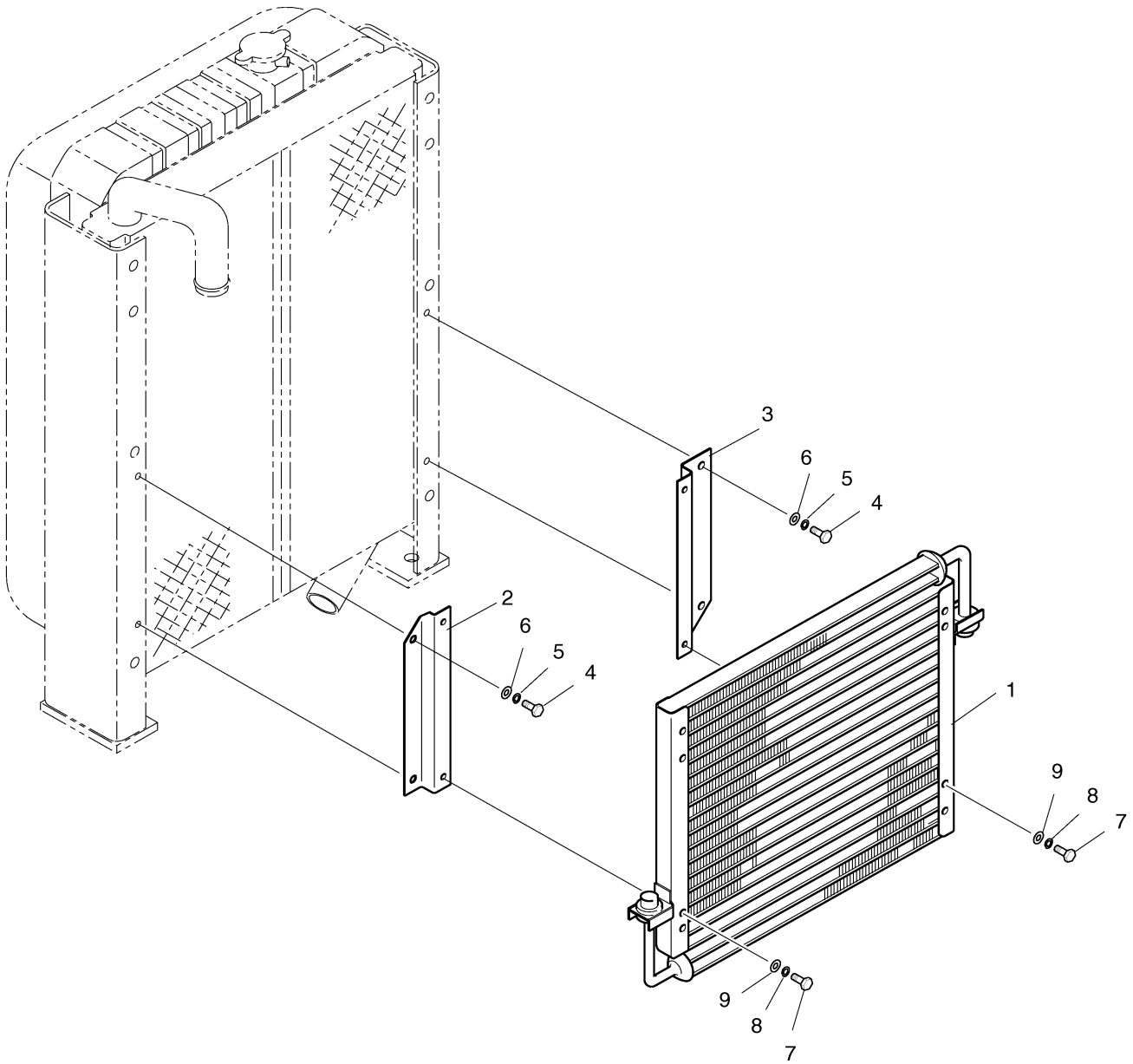


Fig. 2110 TRACK SHOE ASS'Y-400MM

Key No	Part No	Description	Qty	S.C	Serial No	ICA	Replacable	Qty
-	2272-9046	TRACK SHOE ASS'Y	2					
-	200103-00080	LINK ASSY,TRACK	1					
1	2272-6074	LINK(R.H)	38					
2	2272-6075	LINK(L.H)	38					
3	2272-6076	LINK;MASTER(R.H)	1					
4	2272-6077	LINK;MASTER(L.H)	1					
5	2110-6039	BUSHING	39					
6	2123-6046	PIN	38					
7	2123-6047	PIN;MASTER	1					
8	2120-6012	BOLT	156					
9	2121-6011	NUT	156					
10	2273-6042	SHOE-400mm	39					
11	2123-6048	PIN;SAMLL	1					
12	2123-6049	PIN;SAMLL	1					

Fig. 3100 FRONT ASS'Y [1 ~ 2285]

Key No	Part No	Description	Qty	S.C	Serial No	ICA	Replacable	Qty
-	2700-1080	FRONT ASS'Y-BOOM SWING	-	D	1~287			
-	2700-1080A	FRONT ASS'Y-BOOM SWING	-	D	288~			
1	2704-1483	BUCKET ASS'Y-0.15m ³	1		1~97			
1	2704-1483A	BUCKET ASS'Y-0.15m ³	1		98~212			
1	2704-1483B	BUCKET ASS'Y-0.15m ³	1		213~437			
1	2704-1483C	BUCKET ASS'Y-0.15m ³	1		438~	Y	2704-1483E	1
2	2155-1224A	BUCKET LINK ASS'Y	1		1~970	Y	2155-1362	1
2A	2110-1320A	BUSH	2					
2B	2110-1397A	BUSH	2					
2	2155-1362	LINK;PUSH	1		971~1128	Y	2155-1362A	1
2	2155-1362A	LINK;PUSH	1		1129~1475	Y	2155-1362B	1
2	2155-1362B	LINK;PUSH	1		1476~	I	2155-1362C	1
2A	2110-1397	BUSH	2		971~1475	Y	2110-1397A	2
2A	2110-1397A	BUSH	2		1476~			
2B	2110-1398	BUSH	2		971~1475	Y	2110-1398A	2
2B	2110-1398A	BUSH	2		1476~			
2C	2114-1947	COLLAR	1		971~1128			
3	2155-1226A	LINK 3	1					
4	2155-1225	LINK 2	1					
5	2738-1002A	ARM ASS'Y	1		1~182			
5	2738-1002B	ARM ASS'Y	1		183~585	I	2738-1002E	1
5	2738-1002E	ARM ASS'Y	1		586~817	Y	2738-1002G	1
5	2738-1002G	ARM ASS'Y	1		818~970	Y	2738-1002H	1
5	2738-1002H	ARM ASS'Y	1		971~1128	Y	2738-1002I	1
5	2738-1002I	ARM ASS'Y	1		1129~1445	Y	2738-1002J	1
5	2738-1002J	ARM ASS'Y	1		1446~1475	Y	2738-1002K	1
5	2738-1002K	ARM ASS'Y	1		1476~	Y	2738-1002L	1
5A	2110-1320A	BUSH	4		1~1128	Y	2110-1398	4
5A	2110-1398	BUSH	4		1129~1475	Y	2110-1398A	4
5A	2110-1398A	BUSH	4		1476~			
5B	2110-1322A	BUSH	2		1~817			
5B	110-00010	BUSH	2		818~1128	Y	110-00010A	2
5B	110-00010A	BUSH	2		1129~			
6	2702-1006A	BOOM ASS'Y	1					
6	2702-1006C	BOOM ASS'Y	1		~287			
6	2702-1006G	BOOM ASS'Y	1		288~1186	Y	2702-1006H	1

Fig. 3120 BUCKET

Key No	Part No	Description	Qty	S.C	Serial No	ICA	Replacable	Qty
-	2704-1483	BUCKET ASS'Y-0.15m ³	1		1~97			
-	2704-1483A	BUCKET ASS'Y-0.15m ³	1		98~212	I	2704-1483B	1
-	2704-1483B	BUCKET ASS'Y-0.15m ³	1		213~437			
-	2704-1483C	BUCKET ASS'Y-0.15m ³	1		438~			
1	2704-1482	BUCKET ASS'Y-0.15m ³	1		1~97			
1	2704-1482A	BUCKET ASS'Y-0.15m ³	1		98~212	I	2704-1482B	1
1	2704-1482B	BUCKET ASS'Y-0.15m ³	1		213~437			
1	2704-1482C	BUCKET ASS'Y-0.15m ³	1		438~			
1A	2713-9009	ADAPTER	5		1~437			
1A	2713-9050	ADAPTER	5		438~			
2	2713-9010	POINT;TOOTH	5		1~437			
2	2713-9051	POINT;TOOTH	5		438~			
3	2705-9005	PIN;LOCKING	5					
4	2705-9006	RUBBER;LOCKING	5					
5	2713-6051	CUTTER;SIDE(L)	1					
6	2713-6050	CUTTER;SIDE(R)	1					
7	S0565261	BOLT M16X2.0X50	6					
8	S4012923	NUT M16X2.0	6					
9	S5102901	WASHER;SPRING	6					

Fig. 4110 MAIN PUMP-SHAFT [1 ~ 525]

Key No	Part No	Description	Qty	S.C	Serial No	ICA	Replacable	Qty
-	4100412709	SHAFT ASS'Y	1		1~525			
1	1100412601	SHAFT	1					
2	1100379045	CASE:SEAL	1					
3	1100380265	BEARING	1					
4	1302132008	RETAINER	2					
5	1100162351	SEAL:OIL	1	K				
6	1300297002	O-RING	1	K				
7	1302168007	C-RING	1					

Fig. 4131 MAIN PUMP-ROTARY [526 ~]

Key No	Part No	Description	Qty	S.C	Serial No	ICA	Replacable	Qty
-	4100504009	ROTARY GROUP	1		526~			
1	4100504019	PISTON ASS'Y	10					
2	1100483245	BLOCK;CYLINDER	1					
4	1100483171	RETAINER	1					
5	1100316778	PLATE	1					
6	1100195746	GUIDE	1					
7	1100485911	SPRING	1					
8	1100049349	PIN;PARALLEL	3					
9	1100312693	SEAT;SPRING	2					
10	1302160003	RING;RETAINING	1					

Fig. 4160 MAIN PUMP-CONTROL PISTON

Key No	Part No	Description	Qty	S.C	Serial No	ICA	Replacable	Qty
-	4100531167	CONTROL PISTON ASS'Y	1	D	1~525			
1	1100534307	CYLINDER	1					
2	1100531151	PISTON 29 CM3	2					
3	1100486354	PISTON 8.5X50	1					
4	1301589009	BOLT:LOCK SOCKET M10X30	2					
5	1301187007	O-RING 1B P16 15.8X2.4	1	K				
6	1100382344	ORIFICE	1					
7	1301193002	O-RING	2	K				
8	1100407737	CONED DISC SPRING	4					
9	1700606257	SPRING 27.8/2.5X31/2.5	2					
11	1163027002	PLUG GF1A	2					
12	1301223002	O-RING 1BP29	2	K				

Fig. 4200 MAIN PUMP-RELIEF VALVE

Key No	Part No	Description	Qty	S.C	Serial No	ICA	Replacable	Qty
-	4100452844	VALVE;RELIEF	1					
1	1100396756	SPOOL	1	D				
2	1100375007	SCREW;ADJUSTING	1	D				
3	1800042641	O-RING	1	K				
4	1303036396	SPRING	1	D				
5	1801442602	NUT	1	D				
6	1800012769	SHIM	1	D				

Fig. 4230 TRAVEL MOTOR [1 ~ 525]

Key No	Part No	Description	Qty	S.C	Serial No	ICA	Replacable	Qty
-	2401-9232	TRAVEL DEVICE	2		1~525	I	2401-9232A	2
-	588B2000-00-QA	TRAVEL MOTOR	1					
-	588B2100-00-A	REAR FLANGE ASS'Y	1					
-	588B2101-00-A	REAR FLANGE KIT	1					
101	588B2001-00	FLANGE:REAR	1	D				
123	573B2050-00-A	SPOOL	2	D				
152	-	PLUG:HEX. SOCKET(GM-1/8)	10	D				
176	S0605	ORIFICE	1					
179	571B2079-00	PLUG	2					
180	263B2079-01	FILTER	1					
118	312A2018-00	SEAT:VALVE	1					
119	571B2019-02	VALVE	1					
120	312A2020-00	SPRING	1					
121	512B2021-00	PLUG	1					
122	312A2022-00	RING	1					
124	571B2051-01	PLUG	2					
126	300A2053-00	PLUG	2					
127	300A2054-00	VALVE	2					
128	571B2066-00	SPRING	2					
130	300A2055-00	SPRING	2					
133	-	O-RING(P7-90)	1	K				
136	-	O-RING(P22-90)	2	K				
137	-	O-RING(P12-90)	2	K				
138	-	O-RING(P11-90)	1	K				
163	200B2073-00	VALVE	1					
164	300B2039-00	STOPPER	1					
165	300B2042-00	RING	1					
166	300B2043-01	SPRING	1					
168	-	BALL:STEEL(1501-3/16)	2	D				
102	573B2002-00	SHAFT	1					
103	573B2003-00-Q	PLATE:SWASH	1					
104	510B2004-01	BLOCK:CYLINDER	1					
-	510B2105-00	PISTON KIT	1					
-	510B2030-00	PISTON ASS'Y	9					
105	510B2005-00	PISTON	1	D				
106	510B2006-00	SHOE	1	D				

Fig. 4250 CONTROL VALVE [1 ~ 525]

Key No	Part No	Description	Qty	S.C	Serial No	ICA	Replacable	Qty
-	2420-9502	VALVE;CONTROL	1		1~525			
1	23752202854-01	COVER;END	1					
2	23753206324-01	BOOM SWING BLOCK ASS'Y	1					
3	23753206325-01	SWING BLOCK ASS'Y	1	D				
4	23753206326-01	DOZER BLOCK ASS'Y	1					
5	23753206327-01	BLOCK ASS'Y	1					
6	23753206328-01	BOOM 2 & BREAKER BLOCK	1					
7	23753206329-01	ARM BLOCK ASS'Y	1					
8	23753206330-01	TRAVEL BLOCK ASS'Y	1					
9	23753206331-01	P3 BLOCK ASS'Y	1					
10	23753206332-01	TRAVEL BLOCK ASS'Y	1					
11	23753206333-01	BOOM 1 BLOCK ASS'Y	1					
12	23753206334-01	BUCKET BLOCK ASS'Y	1					
13	23752203373-01	COVER;END	1					
18	04022000006-10	O-RING	12					
19	04011000180-10	O-RING 1BP-18	6					
20	62514130471-22	BOLT	4					
21	62514130471-53	BOLT	4					
22	01010110080-04	NUT	8					

Fig. 4260 C/V-BOOM SWING BLOCK [1 ~

Key No	Part No	Description	Qty	S.C	Serial No	ICA	Replacable	Qty
-	23753206324-01	BOOM SWING BLOCK ASS'Y	1		1~525			
1	23751204154-01	BODY	1	D				
2	23753206316-06	SPOOL	1	D				
3	62544204297-01	O-RING P14.5	2					
4	62553175450-01	WIPER;DUST	2					
5	23754204295-01	PLATE;SEAL	2					
6	62514205104-01	BOLT	1					
7	23384170364-01	SEAT;SPRING	2					
8	62574170361-01	SPRING	1					
9	00020106012-51	BOLT M6X12	2					
10	23384170365-01	CAP	1					
11	00020106022-51	BOLT M6X22	2					
12	23744202432-01	VALVE;CHECK	1					
13	62574202421-01	SPRING	1					
14	04011000110-10	O-RING 1BP-11	1					
15	23754204294-01	PLUG;CHECK	1					
16	04011000180-10	O-RING 1BP-18	2					
17	62514172631-04	PLUG PF1/2	2					
18	23744202425-01	ANTI-CAVITATION VALVE	1					

Fig. 4310 C/V-ARM BLOCK [1 ~ 525]

Key No	Part No	Description	Qty	S.C	Serial No	ICA	Replacable	Qty
-	23753206329-01	ARM BLOCK ASS'Y	1		1~525			
1	23751202856-01	BODY	1	D				
2	23753206320-01	SPOOL	1	D				
3	23754204301-01	VALVE;SHUTTLE	1	D				
4	23754204300-01	SEAT	1	D				
5	04011000050-10	O-RING	1	D				
6	23754204292-01	SEAT;SPRING	1	D				
7	62574204293-01	SPRING	1	D				
8	23744202406-01	BOLT	1	D				
9	23744202407-01	SEAT;SPRING	1	D				
10	04031000119-00	O-RING	2					
11	23753202861-01	CAP	1					
12	00020106040-51	BOLT M6X40	4					
13	01500010060-14	WASHER	4					
14	23753202862-01	CAP	1					
15	23743202432-01	VALVE;CHECK	1					
16	62574202421-01	SPRING	1					
17	04011000110-10	O-RING 1BP-11	1					
18	23754204294-01	PLUG;CHECK	1					
19	00510110015-51	SCREW	1					
20	23744202441-55	OVERLOAD RELIEF VALVE(250K)	2					

Fig. 4360 C/V-BUCKET BLOCK [1 ~ 525]

Key No	Part No	Description	Qty	S.C	Serial No	ICA	Replacable	Qty
-	23751205605-01	BODY	1		1~525			
1	23751205605-01	BODY	1	D				
2	23753206323-01	SPOOL	1	D				
3	23754204292-01	SEAT;SPRING	1	D				
4	62574204293-01	SPRING	1	D				
5	23744202406-01	BOLT	1	D				
6	23744202407-01	SEAT;SPRING	1	D				
7	04031000119-00	O-RING	1					
8	23753202861-01	CAP	4					
9	00020106040-51	BOLT M6X40	4					
10	01500010060-14	WASHER	1					
11	23753202862-01	CAP	1					
12	23744202432-01	VALVE;CHECK	1					
13	62574202421-01	SPRING	1					
14	04011000110-10	O-RING 1BP-11	1					
15	23754204294-01	PLUG;CHECK	1					
16	23744202441-55	OVERLOAD RELIEF VALVE(250K)	1					
17	23744202425-01	ANTI-CAVITATION VALVE	1					

Fig. 4401 CENTER JOINT [586 ~ 2395]

Key No	Part No	Description	Qty	S.C	Serial No	ICA	Replacable	Qty
-	2480-9018A	CENTER JOINT	1		586~2395			
1	SJ-TJ05-101	BODY	1					
2	SJ-TJ05-102	SPINDLE	1					
3	SJ-TJ05-103	COVER	1					
4	SJ-TJ05-104	SPACER	1					
5	SJ-TJ05-105	SHIM	1					
6	SJ-TJ05-106	SHIM	1					
7	MSJA-80	SEAL:SLIPPER	8	K				
8	-	O-RING 1BP-80	1	K				
9	-	WIPER:DUST	1	K				
10	-	O-RING 1AG-95	1	K				
11	RCS70	RING:RETAINER	1					
12	PL-PT03	PLUG PT3/8	6					
13	HXM10-5	BOLT:HEX.	4					
14	SWM10	WASHER:SPRING M10	4					
*	2480-9018AKT	SEAL KIT:CENTER JOINT	1	S				

Fig. 4420 SOLENOID VALVE [1 ~ 1150]

Key No	Part No	Description	Qty	S.C	Serial No	ICA	Replacable	Qty
-	2420-1217	VALVE:SOLENOID	1		1~1150			
1	06040-10400	SPRING	1	D				
2	07084-10210	SLEEVE	1	D				
3	07135-10200	SOLENOID	1	D				
4	07456-10100	BODY	1	D				
6	11076-1040A	SPOOL	1	D				
7	11076-12600	STOPPER	1	D				
9	81446-05012	BOLT:SOCKET	2	D				
10	83007-03040	WASHER	1	D				
12	86710-02016	O-RING 1AP-16	1	D				

Fig. 4440 ARM CYLINDER [1 ~ 740]

Key No	Part No	Description	Qty	S.C	Serial No	ICA	Replacable	Qty
-	2440-9253	ARM CYLINDER	1		1~550	I	2440-9253A	1
-	2440-9253A	ARM CYLINDER	1		551~740			
1	53A368-1	TUBE ASS'Y	1		1~550			
1	53A368-2	TUBE ASS'Y	1		551~			
2	03A210-5	BUSH;STEEL	1					
3	53A372-1	ROD ASS'Y	1		1~550			
3	53A372-2	ROD ASS'Y	1		551~			
4	03A210-5	BUSH;STEEL	1					
5	53A375-1	PISTON	1		1~550			
5	53A375-2	PISTON	1		551~			
6	E5150380	RING;GLYD	1	K				
7	00W234-0	RING;WEAR	1	K				
8	00S466-0	RING;DUST	2	K				
9	E6490087	O-RING	1	K				
10	53A376-0	NUT;PISTON	1					
11	E1330534	SCREW;SET	1					
12	53A377-1	ROD COVER	1					
13	E8410155	BUSH;DU	1					
14	E5302110	PACKING;U	1	K				
15	E6500910	RING;BACK-UP	1	K				
16	E6020160	WIPER;DUST	1	K				
17	00M319-0	RING;RETAINING	1					
18	E6311441	O-RING	1	K				
19	E6651450	RING;BACK UP	1	K				
20	E6311461	O-RING	1	K				
21	03U537-0	WASHER	1					
22	E8841022	NIPPLE;GREASE	2					
*	2440-9253BKT	SEAL KIT;ARM	1	S				

Fig. 4460 DOZER CYLINDER

Key No	Part No	Description	Qty	S.C	Serial No	ICA	Replacable	Qty
-	2440-9201A	DOZER CYLINDER	1		1~606	Y	2440-9201B	1
-	2440-9201B	DOZER CYLINDER	1		607~740	I	2440-9201C	1
-	2440-9201C	DOZER CYLINDER	1		741~1350	I	2440-9201E	1
-	2440-9201E	DOZER CYLINDER	1		1351~2624	I	2440-9201G	1
-	2440-9201G	DOZER CYLINDER	1		2625~			
1	53D256-1	TUBE ASS'Y	1		1~740			
1	53D256-2	TUBE ASS'Y	1		741~2624			
1	53D256-4	TUBE ASS'Y	1		2625~			
2	53D261-0	BUSH:STEEL	1		1~2624	I	00B134-0	1
2	00B134-0	BUSH	1		2625~			
3	53D263-0	ROD ASS'Y	1		1~740			
3	53D263-1	ROD ASS'Y	1		741~1350			
3	53D263-2	ROD ASS'Y	1		1351~2624			
3	53D263-3	ROD ASS'Y	1		2625~			
4	53D261-0	BUSH:STEEL	1		1~2624	I	00B134-0	1
4	00B134-0	BUSH	1		2625~			
5	80D449-0	PISTON	1					
6	E5130240	SEAL:SLIPPER	1	K				
7	00W258-0	RING:WEAR	1					
8	00H245-0	NUT:HEX	1					
9	80D450-0	COVER:ROD	1					
10	E8410160	BUSH:DU	1					
11	E5302350	PACKING;U	1	K				
12	E6990066	RING:BACK UP	1	K				
13	E6020180	WIPER:DUST	1	K				
14	00M322-0	RING:RETAINING	1	K				
15	E6311561	O-RING	1	K				
16	E6651570	RING:BACK UP	1	K				
17	E6311581	O-RING	1	K				
18	E8841032	NIPPLE:GREASE	2					
*	2440-9201KT	SEAL KIT:DOZER	1	S				

Fig. 5120 NAME PLATE-ENGLISH

Key No	Part No	Description	Qty	S.C	Serial No	ICA	Replacable	Qty
-	2190-3310F1	NAME PLATE ASS'Y	-	D				
1	2190-3385D6	PLATE;NAME(DAEWOO)	2					
2	2190-3394	PLATE;NAME(DAEWOO)	1					
3	2190-3380	PLATE;NAME	4		1~1495			
3	2190-3380	PLATE;NAME	2		1496~			
4	2190-3381	PLATE;NAME(55)	2					
5	2190-3308	PLATE;NAME(SOLAR)	2					
7	2190-3383	PLATE;NAME	1					
8	2190-2556D71	PLATE;NAME(SPEC.)	1		1~846			
8	2190-2556D87	PLATE;NAME(SPEC.)	1		847~			
9	2190-2850	PLATE;NAME	1		1~2590	I	2190-2850A	1
9	2190-2850A	PLATE;NAME(SERIAL)	1		2591~			
10	2122-1002D1	RIVET	4		1~1850	I	2122-1002D2	4
10	2122-1002D2	RIVET	4		1851~			
11	2190-3312	PLATE;NAME	1		1~232	I	2190-3415	1
11	2190-3415	PLATE;NAME	1		233~			
12	2190-3297	PLATE;NAME	1					
13	2190-2878	PLATE;NAME	1					
14	2190-2633	PLATE;NAME	1		1~242			
14	2190-3320	PLATE;NAME(E/G RPM)	1		243~			
15	2190-1249	PLATE;NAME	1		1~1850	I	2190-3309	1
15	2190-3309	PLATE;NAME(LEVER LOCK)	1		1851~			
16	2190-3315	PLATE;NAME	1					
17	2190-2480	PLATE;NAME	1					
18	2190-3389	PLATE;NAME	1					
19	2190-3133	PLATE;NAME(BOOM SWING)	1		1~1280	I	190-00104	1
19	190-00104	PLATE;NAME	1		1281~			
20	2190-3313	PLATE;NAME(FUSE BOX)	1		1~1535			
20	2190-3313A	PLATE;NAME(FUSE BOX)	1		1536~			
21	2190-2524	PLATE;NAME	1		1~1495			
22	2190-3388	PLATE;NAME	1					
23	2190-3386	PLATE;NAME(TRACK ADJ.)	1					
25	2190-2529	PLATE;NAME	1					
26	2190-3395	PLATE;NAME(HOT WATER)	1					
27	2190-2532	PLATE;NAME	1					
28	2190-2533	PLATE;NAME(BATTERY)	1					

Fig. 6120 DOZER-SHORT 1880MM

Key No	Part No	Description	Qty	S.C	Serial No	ICA	Replacable	Qty
-	2608-1064	DOZER-SHORT 1880mm	1					

Fig. 6160 ACCUMULATOR-FOR EUROPE

Key No	Part No	Description	Qty	S.C	Serial No	ICA	Replacable	Qty
-	460-00005	ACCUMULATOR ASS'Y	-	D				
1	2460-9057	ACCUMULATOR	1					
2	S8000181	O-RING	1					
3	2423-1384	BLOCK	1					
4	S0512753	BOLT M10X1.5X55	2					
5	S5102603	WASHER,SPRING:M10	2					
6	S5010613	WASHER,PLAIN:M10	2					
7	2181-1702D5	ELBOW	1					
8	2184-1036D385	HOSE	1					
9	2181-1126D34	ADAPTER	1					
10	S8000141	O-RING	2					
11	2181-1126D7	ADAPTER	1					
12	S8000111	O-RING	1					

Fig. 6210 BOOM 3.0M-BOOM SWING

Key No	Part No	Description	Qty	S.C	Serial No	ICA	Replacable	Qty
-	701-00241	BOOM ASS'Y	-	D	1945~			
1	701-00236B	BOOM SUB ASS'Y-3.0m	1					
1A	110-00130	BUSHING	2					
2	2123-1728A	PIN	1					
3	2123-2337A	PIN	1					
4	2123-2251C	PIN	1					
5	2123-2250A	PIN	2					
6	2123-2252A	PIN	1					
7	2180-1106BD10	SEAL:DUST	2					
8	2180-1106BD12	SEAL:DUST	8					
10	S6710040	NIPPLE:GREASE	2					
11	S6710100	NIPPLE:GREASE	1					
12	S6710150	NIPPLE:GREASE	2					
13	S0561953	BOLT M12X1.75X110	4					
14	S0564353	BOLT M14X120	2					
15	S4012733	NUT	8					
16	S4012833	NUT	4					
17	2195-3691A	BRACKET:LAMP	1					
18	S0508613	BOLT M8X1.25X16	2					
19	S5102503	WASHER,SPRING;M8	2					
20	2195-3098K	BRACKET:SWING	1					
20B	2110-1194A	BUSH	1					
21	2114-1059D143	SHIM	2					
22	2114-1059D144	SHIM	2					
23	2114-1059D263	SHIM	10					
24	2114-1059D264	SHIM	10					
25	160-00020	CAP:GREASE NIPPLE	5					

Fig. 6260 ARM-1.9M [1945 ~]

Key No	Part No	Description	Qty	S.C	Serial No	ICA	Replacable	Qty
-	701-00264	ARM ASS'Y	-	D	1945~			
1	701-00265B	ARM SUB ASS'Y	1					
1A	110-00010A	BUSH	2					
1B	2110-1398A	BUSH	4					
2	2155-1362C	LINK;PUSH	1					
2A	2110-1398A	BUSH	2					
2B	2110-1397A	BUSH	2					
3	2155-1226C	LINK 3	1					
4	2155-1225A	LINK 2	1					
5	2123-1730	PIN 5	1					
6	2123-1738	PIN 13	1					
7	2123-2391	PIN	2					
8	2123-2250	PIN	2					
9	2123-2252	PIN(BOOM & ARM)	1					
10	2180-1106BD11	SEAL:DUST	6					
11	2180-1106BD12	SEAL:DUST	4					
13	180-00077D1	O-RING	4					
14	S6710040	NIPPLE:GREASE	6					
15	S6710150	NIPPLE:GREASE	1					
16	S0561953	BOLT M12X1.75X110	5					
17	S0561853	BOLT M12X1.75X105	2					
18	S4012733	NUT	14					
19	2180-1106BD1	SEAL:DUST	2					
21	2184-1054D74	HOSE PF1/2-1420L	2					
22	2184-1071D47	HOSE 2-PF1/2 1150L	2					
23	2114-1059D160	SHIM	6					
24	2114-1059D161	SHIM	6					
25	2114-1059D263	SHIM	10					
26	2114-1059D264	SHIM	10					

CLICK HERE TO **DOWNLOAD** THE COMPLETE MANUAL

- Thank you very much for reading the preview of the manual.
- You can download the complete manual from: www.heydownloads.com by clicking the link below



- Please note: If there is no response to CLICKING the link, please download this PDF first and then click on it.

CLICK HERE TO **DOWNLOAD** THE COMPLETE MANUAL