



Doosan Infracore

**DSL 601**

# Parts Manual

**PB501000E02**  
**October 1998**

(THIS PARTS BOOK IS FOR REFERENCE ONLY.  
PART NUMBERS AND SERIAL NUMBERS MAY BE  
OUTDATED. ALWAYS USE THE ONLINE PARTS SYSTEM)

CLICK HERE TO **DOWNLOAD** THE COMPLETE MANUAL

- Thank you very much for reading the preview of the manual.
- You can download the complete manual from: [www.heydownloads.com](http://www.heydownloads.com) by clicking the link below



- Please note: If there is no response to CLICKING the link, please download this PDF first and then click on it.

CLICK HERE TO **DOWNLOAD** THE COMPLETE MANUAL

## ALPHABETICAL INDEX

DESCRIPTION	PAGE	ITEM	DESCRIPTION	PAGE	ITEM
FILM (HYDRAULIC OIL)	105	20	GASKET ; VALVE COVER	9	38
FILM (INSTRUMENT)	105	24	GASKET 10, ROLIND	21	26
FILM (LATCHES ENGAGED)	105	29	GASKET 12	21,29	22,17
FILM (LH LEVER)	105	11	GASKET 12, ROLIND	21	25
FILM (PEDAL OPERATING)	105	6	GASKET 16	19,21	27,29,28
FILM (RAD. WARNING)	105	34	GASKET 8, ROLIND	21	27
FILM (RH LEVER)	105	12	GASKET C.W. PUMP	21	17
FILM (ROPS/FOPS)	105	36	GASKET SET (NON-ASB.)	21	1
FILM (SERVICE SCHEDULE)	105	1	GASKET(NON-ASB.)	5,10,11	8,6,7
FILM (SYMBOL (LIFT)	105	10	GASKET(NON-ASB.)	17,19,21	3,11,19
FILM (THROTTLE LEVER)	105	13	GAUGE ; LEVEL	100	12
FILM (WARNING FAN)	105	27	GEAR ; CAM SHAFT	13	5
FILM ; TIGER (LH)	105	26	GEAR ; CRANK SHAFT	15	3
FILM ; TIGER (RH)	105	25	GEAR ; FUEL INJ. PUMP	13	11
FILTER 80 X 80L	17	8	GEAR ; HOUSING	5	4
FILTER - HYDRAULIC	78	3	GEAR ; L.O. PUMP	17	11
FILTER ASS'Y	78,100,101	1,10,12	GEAR ; RING	15	11
FITTING	31,47	8,9	GEAR CASE ASS'Y	85	20
FITTING - GREASE	57,39,98	55,36,6	GEAR SHIFT ASS'Y	85	17
FLANGE	17,61	31	GEROLER ASS'Y	76	4
FLANGE ; MOUNTING	7,77	2,15	GEROLER SUB-ASSY	77	3
FLEX PIN	115	9	GLASS (LOWER)	95	29
FLEXIBLE TUBE ASS'Y	48	6	GLASS (UPPER)	95	28
FLOAT	29	28	GOVERNOR ASS'Y	31	18
FLYWHEEL W/RING GEAR	15	10	GOVERNOR LEVER ASS'Y	31	18
FRONT BLADE	114	1	GREASE FITTING	35,42	31,19
FRONT COVER ASS'Y	87	15	GREY AEROSOL	105	
FUEL FILTER ; ASS'Y	29	1	GREY GALLON	105	
FUEL GAUGE ; 12 VOLT	79	7	GRIP	39	1
FUEL INJECT NOZZLE ASS'Y	27	2	GRIP - R.H.	108	10
FUEL INJECT VALVE ASS'Y	27	1	GROMMET	111	9
FUEL LINE	29	18,19	GROUP ; PUMP	73	-
FUEL PUMP ASS'Y	25	58	GUARD ; DELIVERY VALVE	23	19
FUSE	79,110	11,3	GUARD ASS'Y	87	27
FUSE ; HOLDER	110	2	GUIDE	40,55,57	3,5,42
FUSE 20 AMP	80	14	GUIDE ; DIPSTICK	17	2,22
FUSE HOLDER ASS'Y	79	10	GUIDE ; EXHAUST VALVE	9	6
GAS CYLINDER	37	6	GUIDE ; FAN SIDE	87	9
GASKET	23,25,48	41,43,59	GUIDE ; INTAKE VALVE	9	5
	51,89,91	10,23,24	GUIDE ; ROLLER	23	
	100,101	25,36,3	GUIDE ; SLIPPER	73	13
	21	5,7,13	GUIDE ; SLIPPER RETAINER	73	14
		16,11,15	GUIDE ; TUBE	65	24,26
		17,21	GUIDE ASS'Y	96,106	2,3
GASKET (NON-ASB.)	19,21	9,12,15	GUIDE TUBE	69	29,32
		16,18,19	HANDLE ; COCK	29	23
GASKET , L.O. PLIMP	21	14	HARNESS	109	1
GASKET ; BONNET	21	8	HARNESS ; SEAT BAR INTERLOCK	35	37
GASKET ; C.W. PUMP	19	4	HARNESS ; WIRE HORN	108	2
GASKET ; COVER	19	14	HEAD ASS'Y	78	2
GASKET ; CYL. HEAD	3,21	19,2	HEATER ; AIR	10	5
GASKET ; DELIVERY	23	20	HEX HD. C/S 3/4" X 2"	115	4
GASKET ; END CAP	73	26	HEX HD. C/S 3/4" X 3-3/4"	115	5
GASKET ; INT. MAINFOLD	21,10	10,2	HEX NUT 3/4"	115	6
GASKET ; L. O. PUMP	17	19	HOLD DOWN	83	2
GASKET ; LIQUID	5	27	HOLDER	85	11
GASKET ; MAINFOLD	21,11	11,2	HOLDER ; FUSE	80	13
GASKET ; NYLON 6	29	32	HOLDER ASS'Y ; NOZZLE	27	4
GASKET ; ROUND 10	17	18	HOOK	31	
GASKET ; ROUND 8	3,17	16,17	HOOK ; TENSION LEVER	31	
GASKET ; ROUND 12	27	24	HOOK ASS'Y	102	16
GASKET ; THERMO. CASE	19,21	20	HORN ASS'Y	108	7

(THIS PARTS BOOK IS FOR REFERENCE ONLY. PART NUMBERS AND SERIAL NUMBERS MAY BE OUTDATED. ALWAYS USE THE ONLINE PARTS SYSTEM)

00

## ENGINE

Key No.	Part No.	Description	Qty.	Serial No.	Remarks
1	D460866	ENGINE ASS'Y (4TNE84)	1		
2	D460484	PLUG PT1/4	2		
3	D460484	PLUG PT1/4	1		
4	D460687	PLUG	1		
5	D460536	BOLT	10		
6	-	CAP ; BEARING	1		
7	-	CAP ; BEARING	4		
8	D460718	PLUG ; SCREW PT1/8	1		
9	D460774	PLUG 50	1		
10	D460776	PLUG 12	2		
11	D460778	PLUG 30	8		
12	D460681	BUSH ; CAMSHAFT	1		
13	D460872	BEARING SET; MAIN	5		
	-	BEARING ; MAIN(UPPER)	5		
	-	BEARING ; MAIN(LOWER)	5		
14	D460540	BEARING SET; THRUST	2		
	-	BEARING ; THRUST(LOWER)	2		
	-	BEARING ; THRUST(UPPER)	2		
15	D460719	PLUG ; SCREW PT3/8	1		
16	D460714	GASKET ; ROUND 8	4		
17	D460739	BOLT M8 X 12 PLATED	4		
18	D460533	STUD ; CYL. HEAD	18		
19	D460873	GASKET ; CYL. HEAD	1		
20	D460539	BEARING SET; MAIN US=0.25+D8	5		
	-	BEARING ; MAIN(UPPER)	5		
	-	BEARING ; MAIN(LOWER)	5		
21	D460541	BEARING SET; THRUST 0.250S	2		
	-	BEARING ; THRUST(LOWER)	2		
	-	BEARING ; THRUST(UPPER)	2		
22	D460741	BOLT M8 X 16 PLATED	2		
23	D460537	BEARING ; THRUST	1		

(THIS PARTS BOOK IS FOR REFERENCE ONLY.

CYLINDER BLOCK  
 PART NUMBERS AND SERIAL NUMBERS MAY BE  
 OUTDATED. ALWAYS USE THE ONLINE PARTS SYSTEM)

00

## ENGINE

Key No.	Part No.	Description	Qty.	Serial No.	Remarks
1	D460552	TAPPET	8		
2	D460553	ROD ; PUSH	8		
3	D460864	CAM SHAFT ASS'Y	1		
4	D460537	BEARING; THRUST	1		
5	D460551	GEAR ; CAM SHAFT	1		
6	D460709	KEY 7 X 14	1		
7	D460509	SHAFT ; IDLE GEAR	1		
8	D460559	IDLE GEAR ASS'Y	1		
9	D460892	BUSH ; IDLE GEAR	1		
10	D460746	BOLT M8 X 45 PLATED	2		
11	D460560	GEAR ; FUEL INJ. PUMP	1		
12	D460699	WASHER ; SPRING 12	1		
13	D460769	NUT M12	1		
14	D460741	BOLT M 8 X 16 PLATED	2		

(THIS PARTS BOOK IS FOR REFERENCE ONLY.  
**CAMSHAFT & DRIVING GEAR**  
 PART NUMBERS AND SERIAL NUMBERS MAY BE  
 OUTDATED. ALWAYS USE THE ONLINE PARTS SYSTEM)

**01 FUEL SYSTEM**

Key No.	Part No.	Description	Qty.	Serial No.	Remarks
1	D460908	F.I. PUMP ASS'Y W/GOV.	1		
2	D460575	STUD ; FEED PUMP	2		
3	D460658	SHAFT ; CAM	1		
4	D460576	BALL BEARING ; THRUST	1		
5	D460577	SUPPORT ; CAM SHAFT	1		
6	D460480	KEY	1		
7	D460909	PLUNGER W/BARREL	4		
8	D460578	PIN ; BARREL LOCKING	4		
9	D460692	RETAINER A	4		
10	D460579	SPRING SHOE ; PLUNGER	4		
11	D460502	SPRING ; PLUNGER	4		
12	D460580	TAPPET ; ASS'Y	4		
	-	GUIDE ; ROLLER	4		
	-	BOLT ; ADJUSTING	4		
	-	ROLLER ASS'Y	4		
	-	INNER ; ROOLER	4		
	-	ROLLER	4		
	-	PIN ; ROLLER	4		
13	D460581	LOCKING ; TAPPET	4		
14	D460582	O-RING S6	4		
15	D460910	VALVE W/SEAT ; DELIV.	4		
16	-	SEAT	4		
17	-	VALVE ; DELIVERY	4		
18	D460583	SPRING ; DELIV. VALVE	4		
19	D460584	GUARD ; DELIVERY VALVE	4		
20	D460495	GASKET ; DELIVERY	4		
21	D460496	O-RING ; DELIVERY	4		
22	D460585	STOPPER ; VALVE	4		
23	D460586	LOCKING(A)	2		
24	D460587	LOCKING(B)	2		
25	D460671	DEFLECTOR	1		
26	D460588	CHECK BOLT ; DEFLECTOR	1		
27	D460589	PLUG ; M16	1		
28	D460590	SHIM SET ; ADJUSTING	1		
	-	SHIM T=0.5	1		
	-	SHIM T=0.4	1		
	-	SHIM T=0.3	1		
	-	SHIM T=0.15	1		
29	D460672	RACK ; CONTROL	1		
30	D460591	BUSH ; RACK	1		
31	D460592	SPACER ; AUX. SPRING	1		
32	D460593	CIRCLIP	1		
33	D460594	PINION ; CONTROL	4		
34	D460479	SCREW ; PINION	4		
35	D460693	PINION	4		
36	D460585	PLUG M12	1		
37	D460596	O-RING	1		
38	D460597	RACK ; SPRING	1		
39	D460598	PACK ; SHIM	4		
	-	T=1.0	4		
	-	SHIM T=1.1	4		
	-	SHIM T=1.2	4		
	-	SHIM T=1.3	4		
	-	SHIM T=1.4	4		
	-	SHIM T=1.5	4		
	-	SHIM T=1.6	4		
	-	SHIM T=1.05	4		
	-	SHIM T=1.15	4		
	-	SHIM T=1.25	4		
	-	SHIM T=1.35	4		
	-	SHIM T=1.45	4		
	-	SHIM T=1.55	4		
	-	SHIM T=1.65	4		
	-	SHIM T=0.8	4		
	-	SHIM T=0.85	4		
	-	SHIM T=0.9	4		
	-	SHIM T=0.95	4		
40	D460673	COVER	1		
41	D460674	GASKET	1		
42	D460675	COVER ; SIDE	1		
43	D460676	GASKET	1		
44	D460599	LOCKING ; RACK	1		

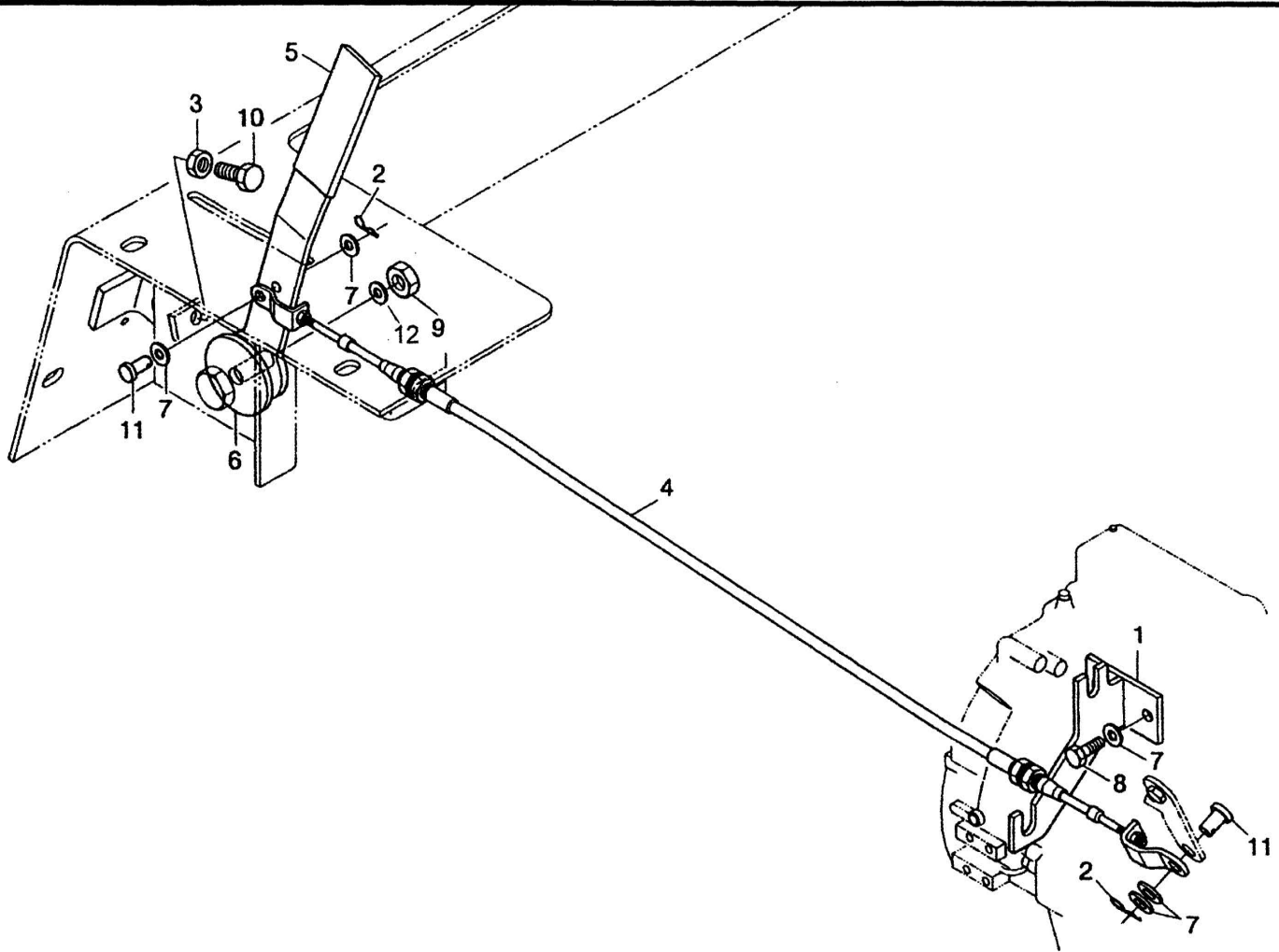
(THIS PARTS BOOK IS FOR REFERENCE ONLY.  
**FUEL INJECTION PUMP**  
 PART NUMBERS AND SERIAL NUMBERS MAY BE  
 OUTDATED. (CONTINUED ON NEXT PAGE)  
 OUTDATED. ALWAYS USE THE ONLINE PARTS SYSTEM)

01

## FUEL SYSTEM

Key No.	Part No.	Description	Qty.	Serial No.	Remarks
30	D460936	PIN ; SNAP 4	2		
31	D460720	PLUG 10	1		
32	D460933	O-RING 1A S-28.0	1		
33	D460946	BOLT M6 X 10 PLATED	1		
34	D460946	BOLT M6 X 10 PLATED	1		
35	D460946	BOLT M6 X 10 PLATED	4		
36	D460947	BOLT M6 X 14 PLATED	2		
37	D460736	BOLT M6 X 20 PLATED	6		
38	D460770	NUT ; LOCK M6 PLATED	1		
39	D460772	NUT ; LOCK M12 PLATED	2		
40	D460764	NUT M8 1			
41	D460525	LEVER ; CONTROL	1		
42	D460527	SPRING ; FUEL CONTROL	1		
43	D460932	SPRING ; GOVERNOR	1		
44	D460948	SOLENOID ; STOP	1		
45	D460934	NUT ; CAP M12	1		
46	D460929	BOLT ; FUEL CONTROL	1		
47	D460949	ANGLEICH ASS'Y	1		
-	-	CASE ; ANGLEICH	1		
-	-	SHIFTER ; ANGLEICH	1		
-	-	SPRING ; ANGLEICH	1		
-	-	NUT 1			
-	-	SET ; SHIM	1		
-	-	SHIM ; FUEL CONTROL	1		
-	-	SHIM	1		
-	-	SHIM ; FUEL CONTROL	1		
-	-	SHIM T=0.6	1		
-	-	SHIM T=0.65	1		
-	-	SHIM T=0.7	1		
-	-	SHIM T=0.75	1		
-	-	SHIM T=0.8	1		
-	-	SHIM T=0.85	1		
-	-	SHIM T=0.9	1		
-	-	SHIM T=0.95	1		
-	-	SHIM T=1.0	1		
-	-	SHIM T=1.05	1		
-	-	SHIM T=1.1	1		
-	-	SHIM T=1.15	1		
-	-	SHIM T=1.2	1		
-	-	WASHER 5	1		
-	-	CIRCLIP E-4	1		

(THIS PARTS BOOK IS FOR REFERENCE ONLY.  
**GOVERNOR**  
PART NUMBERS AND SERIAL NUMBERS MAY BE  
OUTDATED. ALWAYS USE THE ONLINE PARTS SYSTEM)



Key No.	Part No.	Description	Q'ty	Serial No.	Remarks
1	D410403	BRACKET ASS'Y	1		
2	S18033H	PIN	2		
3	S4016633	NUT M10-1.5 CL8 YZ	1		
4	D411664	THROTTLE CABLE ASS'Y	1		
5	D430977	LEVER ; THROTTLE	1		
6	D430983	SPACER	1		
7	D917092	WASHER ; HARD M8 X 2	6		
8	S0508663	BOLT M8-1.25 X 16 10.9 YZ	2		
9	D913010	NUT ; LOCK M12-1.75 CL8 YZ	1		
10	S0512263	BOLT M10-1.5 X 30 10.9 YZ	2		
11	S5760192	PIN ; CLEVIS	2		
12	D917091	WASHER ; HARD	2		

(THIS PARTS BOOK IS FOR REFERENCE ONLY.  
**D411661 THROTTLE CONTROL GROUP**  
 PART NUMBERS AND SERIAL NUMBERS MAY BE  
 OUTDATED. ALWAYS USE THE ONLINE PARTS SYSTEM)

CLICK HERE TO **DOWNLOAD** THE COMPLETE MANUAL

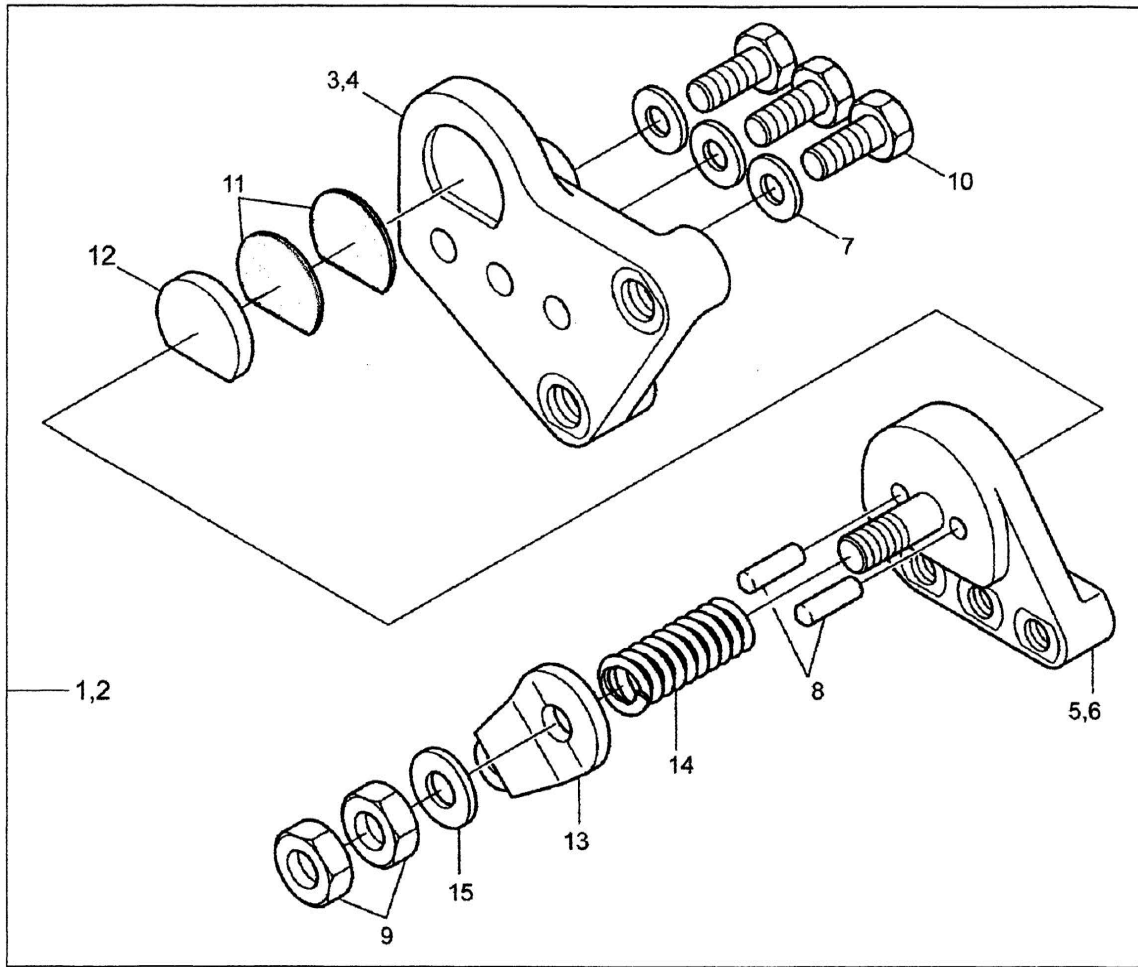
- Thank you very much for reading the preview of the manual.
- You can download the complete manual from: [www.heydownloads.com](http://www.heydownloads.com) by clicking the link below



- Please note: If there is no response to CLICKING the link, please download this PDF first and then click on it.

CLICK HERE TO **DOWNLOAD** THE COMPLETE MANUAL

POWER TRAIN SYSTEM



Key No.	Part No.	Description	Q'ty	Serial No.	Remarks
1	D460077	BRAKE ASSY (R.H.)	1		
2	D460078	BRAKE ASSY (L.H.)	1		
3	D460277	CASE : LOWER (R.H.)	1		
4	D460278	CASE : LOWER (L.H.)	1		
5	D460270	CASE : UPPER (R.H.)	1		
6	D460271	CASE : UPPER (L.H.)	1		
7	S5100703	WASHER	6		
8	D460276	ROD ; PUSH	4		
9	S4006743	NUT M14 X 1.5 X H6	8		
10	S0560663	BOLT M12 X 1.75 X 45L	6		
11	D460279	PLATE ; FRICTION	4		
12	D460343	PLATE	2		
13	D460380	LEVER ; CAM	2		
14	D460280	SPRING	2		
15	D917059	WASHER ; HARD ID15.5 X OD30 X 3.2T	2		

(THIS PARTS BOOK IS FOR REFERENCE ONLY  
 D460077 (RH) D460078 (LH) PARKING BRAKE GROUP  
 PART NUMBERS AND SERIAL NUMBERS MAY BE

OUTDATED. ALWAYS USE THE ONLINE PARTS SYSTEM)

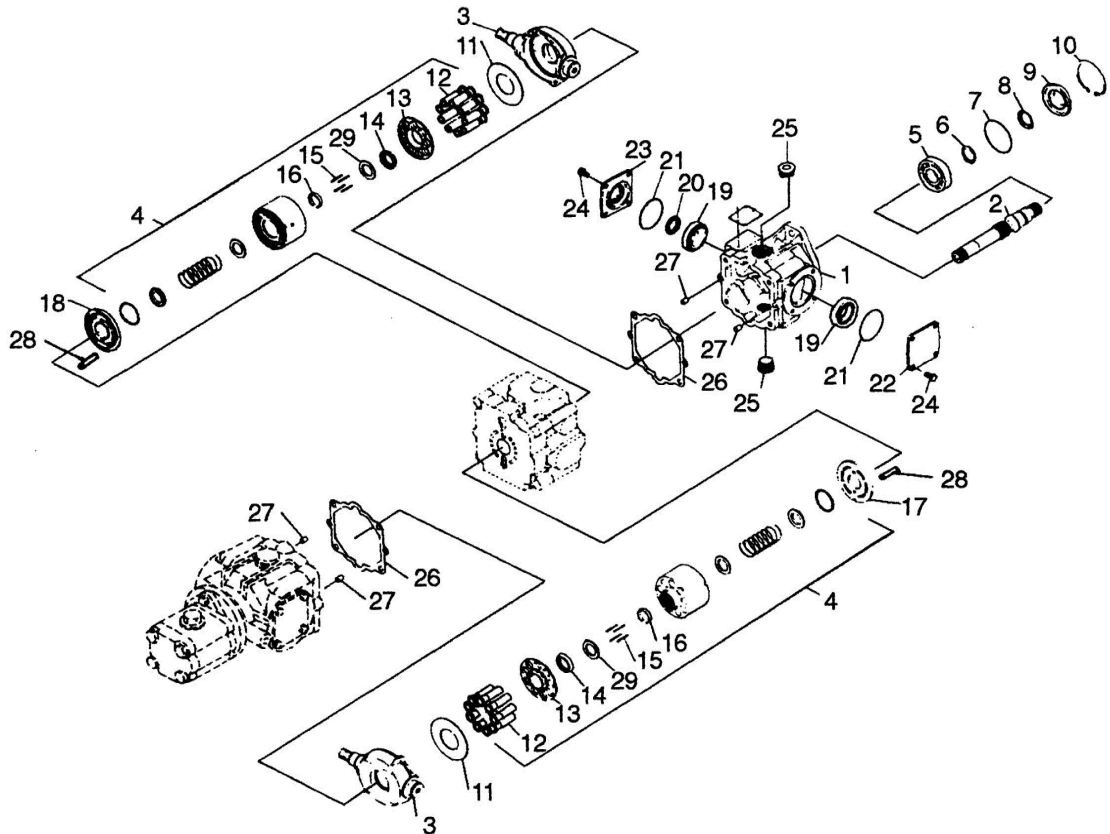
04

## HYDRAULIC SYSTEM

Key No.	Part No.	Description	Q'ty	Serial No.	Remarks
1	D500325	CONNECTOR	1		
2	D502501	SWITCH ; PRESSURE	1		
3	D415316	HOSE ASS'Y	1		
4	D411785	HOSE ASS'Y	1		
5	D411786	HOSE ASS'Y	1		
6	D411787	HOSE ASS'Y	1		
7	D411788	HOSE ASS'Y	1		
8	D411789	TUBE ASS'Y	1		
9	D416295	HOSE ; BULK	213CM		
10	D415591	PROTECTOR ; HOSE	56IN		
11	D500377	ELBOW	1		
12	D502511	ELBOW	2		
13	D502509	CONNECTOR	1		
14	D908001	TEE	2		
15	D500378	ELBOW 90	1		
16	D411330	ELBOW 90	1		
17	S8450023	CLAMP HS SIZE 20H	2		
18	S8040121	O-RING	6		
19	S8030121	O-RING	9		
20	S8040101	O-RING ; SEAL	2		
21	S8040161	O-RING ; SEAL	1		
22	S8030081	O-RING	2		
23	D510592	RELIEF VALVE ASS'Y	1		
24	D411790	CLAMP	1		
25	S0509063	BOLT M8 - 12.5 X 25 10.9 YZ	2		
26	D917092	WASHER ; HARD M8 X 2	8		
27	D913003	NUT ; LOCK	2		
28	D501049	HYDRAULIC OIL FILTER ASS'Y	1		SEE PAGE 78
29	D502531	CONTROL VALVE ASS'Y	1		
30	D910017	BOLT 5/16 - 18 X 7/8	3		
31	S0556363	BOLT	3		

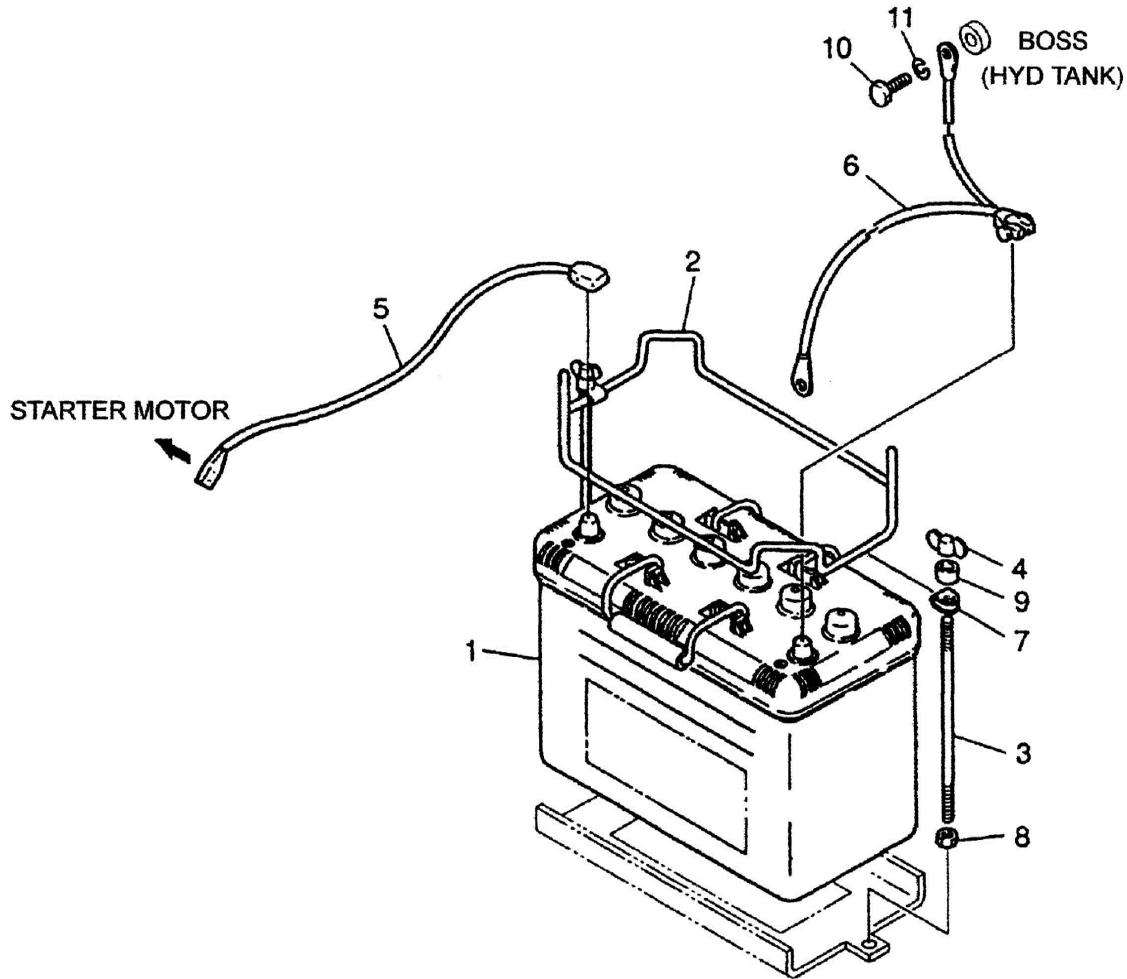
(THIS PARTS BOOK IS FOR REFERENCE ONLY.  
**D415309 HYDRAULIC LINES GROUP**  
 PART NUMBERS AND SERIAL NUMBERS MAY BE  
 OUTDATED. ALWAYS USE THE ONLINE PARTS SYSTEM)

HYDROSTATIC SYSTEM



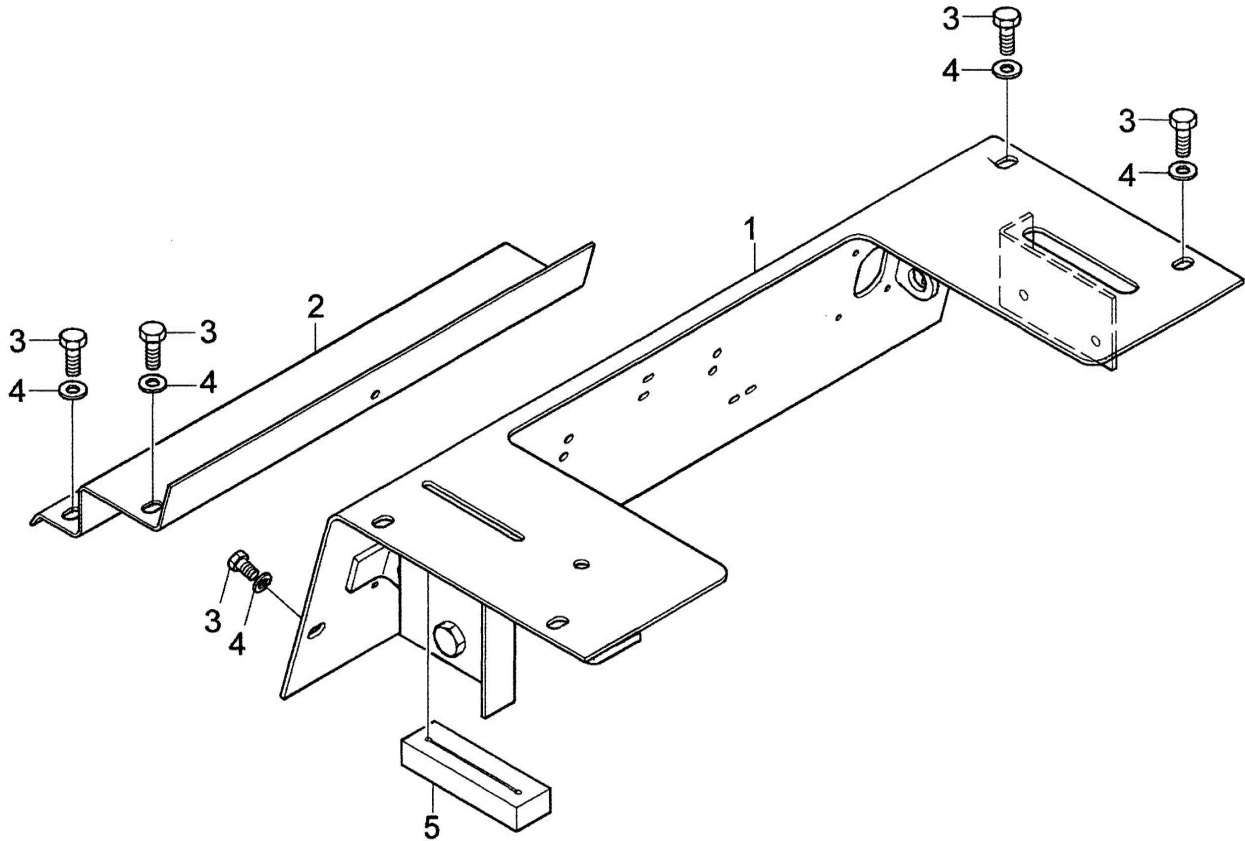
Key No.	Part No.	Description	Q'ty	Serial No.	Remarks
-	D500365	GROUP ; PUMP	1		
1	D514022	HOUSING	1		
2	D514017	SHAFT ; PUMP	1		
3	D514024	PLATE ; SWASH	2		
4	D514029	CYLINDER BLOCK ASS'Y	2		INCLUDES PARTS MARKED J
5	D500989	BEARING ; BALL	1		
6	D500998	RING ; RETAINING	1		
7	D514016	O-RING ; SEAL	1		
8	D501006	SEAL ; LIP	1		
9	D516015	CARRIER ; SEAL	1		
10	D514014	RING ; RETAINING	1		
11	D500984	PLATE ; THRUST	1		
12	D514025	PISTON ASS'Y	18		J
13	D514026	GUIDE ; SLIPPER	2		J
14	D514027	GUIDE ; SLIPPER RETAINER	2		J
15	D500982	PIN	8		J
16	D500981	RETAINER	2		J
17	D514031	PLATE ; VALVE (RH)	1		
18	D514030	PLATE ; VALVE (LH)	1		
19	D514020	BEARING ; DX	2		
20	D501007	SEAL ; LIP	1		
21	D514019	CARRIER ; SEAL	2		
22	D514018	COVER ; TRUNNION	1		
23	D514021	CARRIER ; TRUNNION SEAL	1		
24	D501026	SCREW	8		
25	D501030	PLUG	2		
26	D500992	GASKET ; END CAP	2		

(THIS PARTS BOOK IS FOR REFERENCE ONLY.  
 PART NUMBERS AND SERIAL NUMBERS MAY BE  
 OUTDATED. ALWAYS USE THE ONLINE PARTS SYSTEM)



Key No.	Part No.	Description	Q'ty	Serial No.	Remarks
1	D550010	BATTERY	1		12.5L X 6.75W X 8.0H
2	D550030	HOLD DOWN	1		
3	D432189	STUD	2		
4	D913005	NUT ; WING M10 X 1.5	2		
5	D550060	CABLE ; POSITIVE (+)	1		
6	D550070	CABLE ; NEGATIVE (-)	1		
7	D550080	CLIP	2		
8	S4012643	NUT M10 - 1.5 YZ	2		
9	D550091	SPACER	2		
10	S0511463	BOLT M10 - 1.5 X 12 10.9 YZ	2		
11	D917024	WASHER ; LOCK	2		

(THIS PARTS BOOK IS FOR REFERENCE ONLY.  
**D550000 BATTERY GROUP**  
 PART NUMBERS AND SERIAL NUMBERS MAY BE  
 OUTDATED. ALWAYS USE THE ONLINE PARTS SYSTEM)



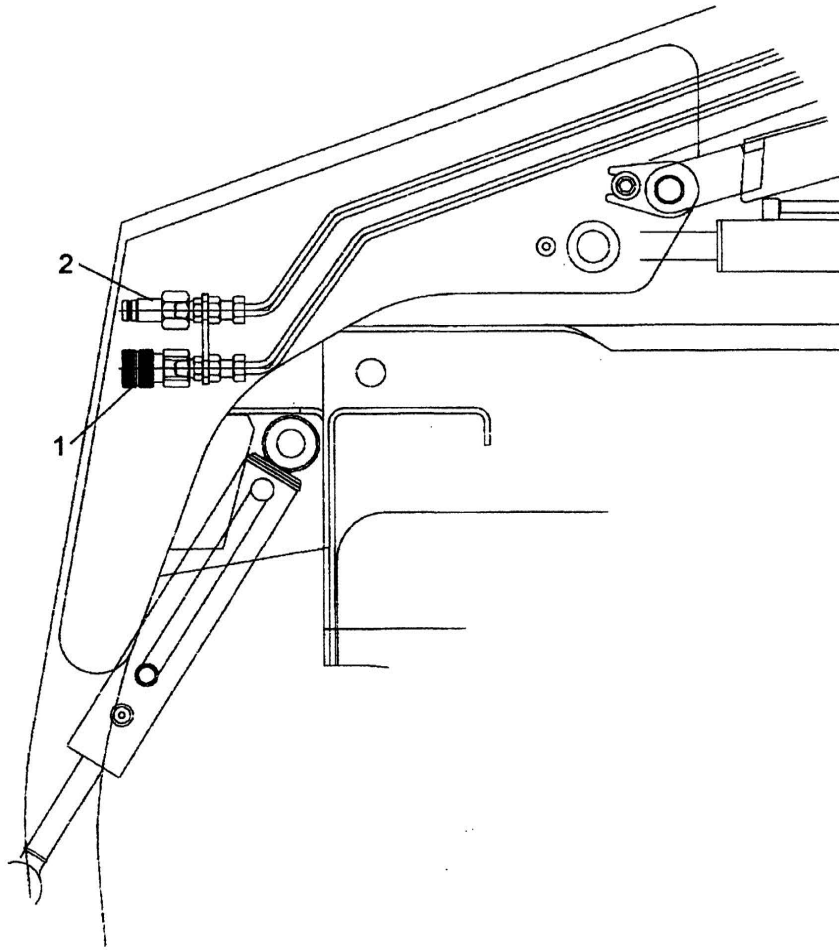
Key No.	Part No.	Description	Qty.	Serial No.	Remarks
1	D415620	UPPER PLATE ASSY	1		
2	D432175	PLATE ; FLOOR	1		
3	S0511663	BOLT M10 - 1.5 X 16 10.9 Y2	10		
4	D917065	WASHER ; HARD M10 X 2	10		
5	D410527	INSULATION	1		

(THIS PARTS BOOK IS FOR REFERENCE ONLY.  
**D415582 FLOOR PLATE GROUP**

PART NUMBERS AND SERIAL NUMBERS MAY BE  
 OUTDATED. ALWAYS USE THE ONLINE PARTS SYSTEM)

**BLANK PAGE**

(THIS PARTS BOOK IS FOR REFERENCE ONLY.  
PART NUMBERS AND SERIAL NUMBERS MAY BE  
OUTDATED. ALWAYS USE THE ONLINE PARTS SYSTEM)



Key No.	Part No.	Description	Qty.	Serial No.	Remarks
1	D419529	COUPLER NIPPLE	1		
2	D419528		1		

(THIS PARTS BOOK IS FOR REFERENCE ONLY.  
**D571133 FLAT FACE FITTING**  
 PART NUMBERS AND SERIAL NUMBERS MAY BE  
 OUTDATED. ALWAYS USE THE ONLINE PARTS SYSTEM)

CLICK HERE TO **DOWNLOAD** THE COMPLETE MANUAL

- Thank you very much for reading the preview of the manual.
- You can download the complete manual from: [www.heydownloads.com](http://www.heydownloads.com) by clicking the link below



- Please note: If there is no response to CLICKING the link, please download this PDF first and then click on it.

CLICK HERE TO **DOWNLOAD** THE COMPLETE MANUAL