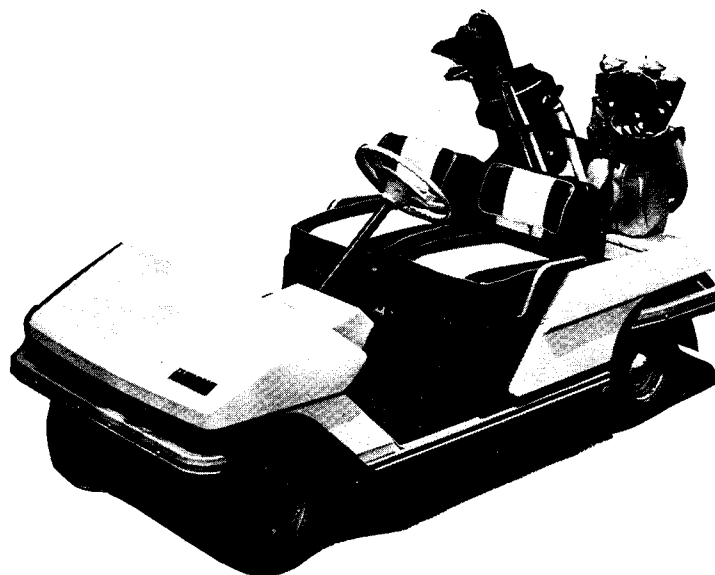


GRAN CUSHMAN

GC-300

GC-400



PARTS BOOK

FOR MODELS

881600

881601

881602

881603

881850

881851

881852

881853

898100

898101

898102

898103

CLICK HERE TO **DOWNLOAD** THE COMPLETE MANUAL

- Thank you very much for reading the preview of the manual.
- You can download the complete manual from: www.heydownloads.com by clicking the link below



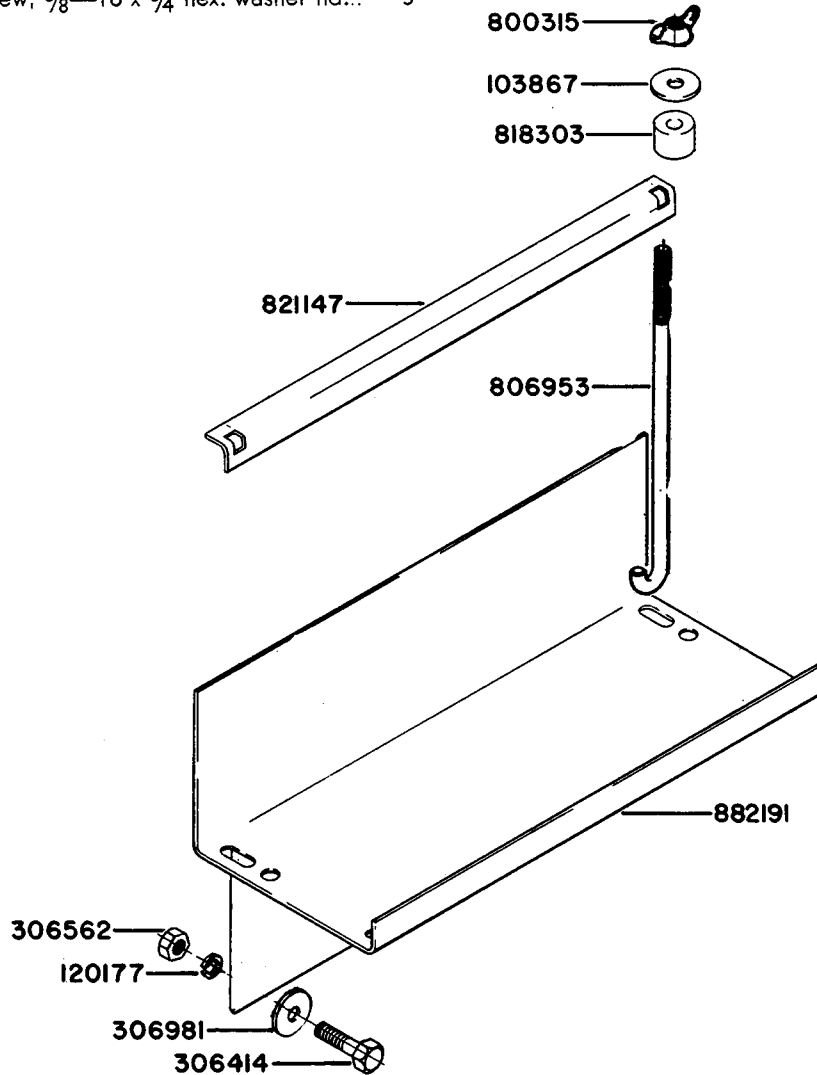
- Please note: If there is no response to CLICKING the link, please download this PDF first and then click on it.

CLICK HERE TO **DOWNLOAD** THE COMPLETE MANUAL

BATTERY RACK
(MODELS 881601, 881603, 881851, AND 881853)

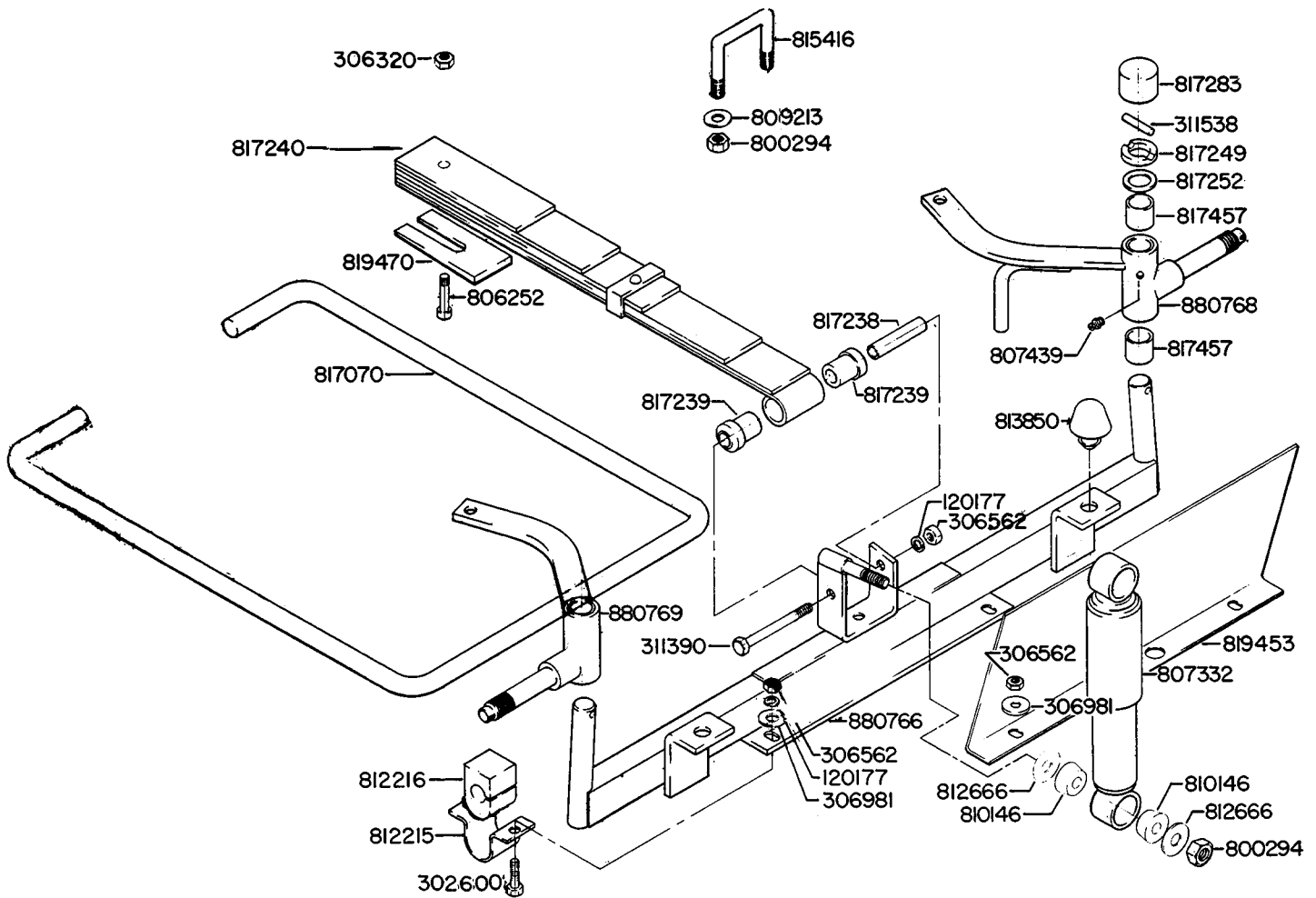
(Illustrated on Page 10)

Part No.	Description	No. Req.	Part No.	Description	No. Req.
103867	Washer, 5/16 plain	2	800315	Wing Nut, 5/16—18	2
120177	Lockwasher, 3/8	3	806273	Screw	1
306325	Lockwasher, 5/16	2	815847	Hold-down	1
306562	Nut, 3/8—16 hex.	2	818303	Spacer	2
306981	Washer, 3/8 plain.....	3	819366	"J" Bolt	2
306991	Lockwasher	1	881567	Rack, battery	1
311214	Screw, 3/8—16 x 3/4 hex. washer hd...	3			



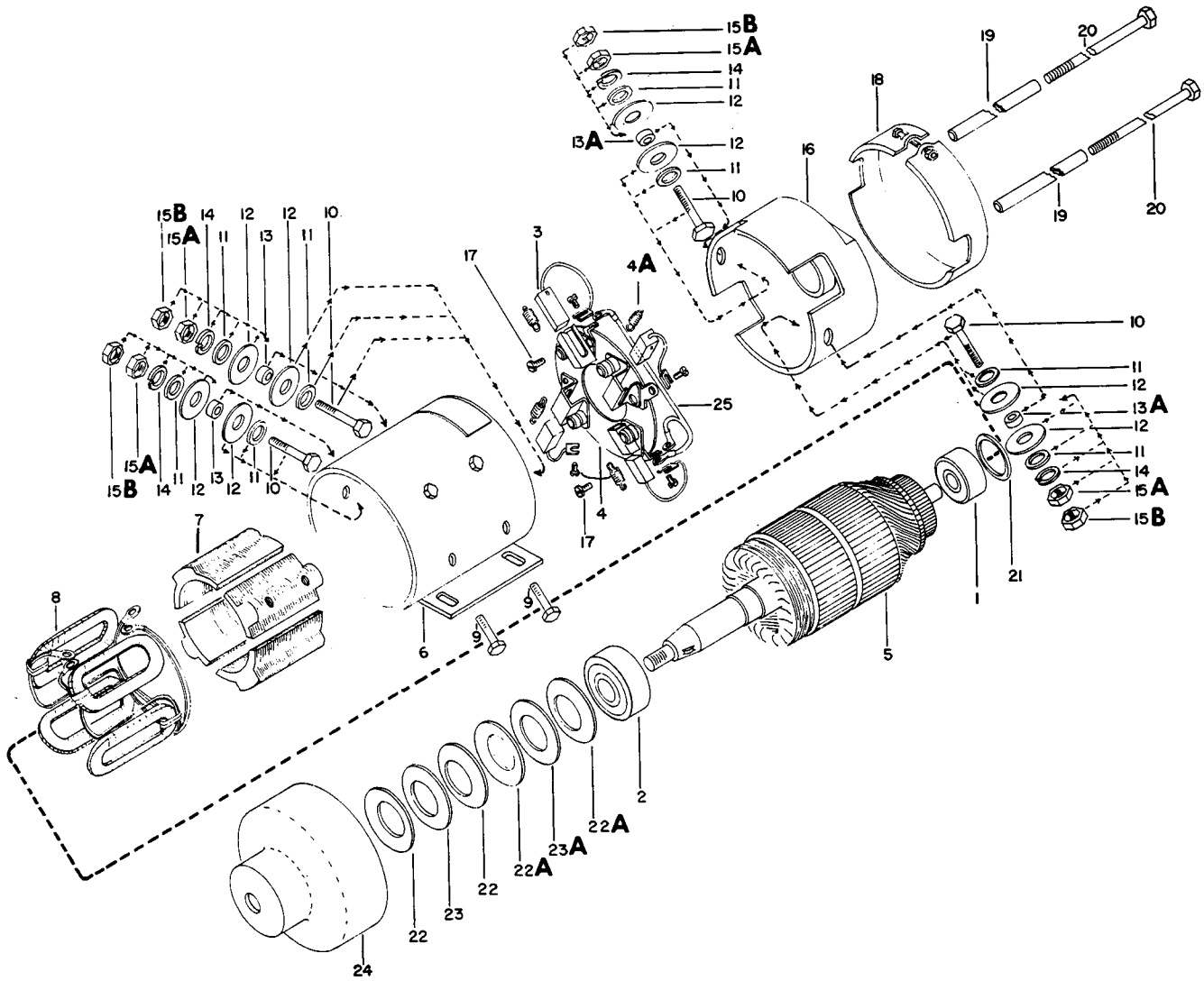
BATTERY RACK
(MODELS 898101 AND 898103)

Part No.	Description	No. Req'd.	Part No.	Description	No. Req'd.
103867	Washer, 5/16	2	800315	Nut, 5/16—18 wing	2
120177	Lockwasher, 3/8	4	806953	Bolt, "J"	2
306414	Screw, 3/8—16 x 1 hex. hd.	4	818303	Spacer	2
306562	Nut, 3/8—16 hex.	4	821147	Hold-down	1
306981	Washer, 3/8	4	882191	Box, battery	1

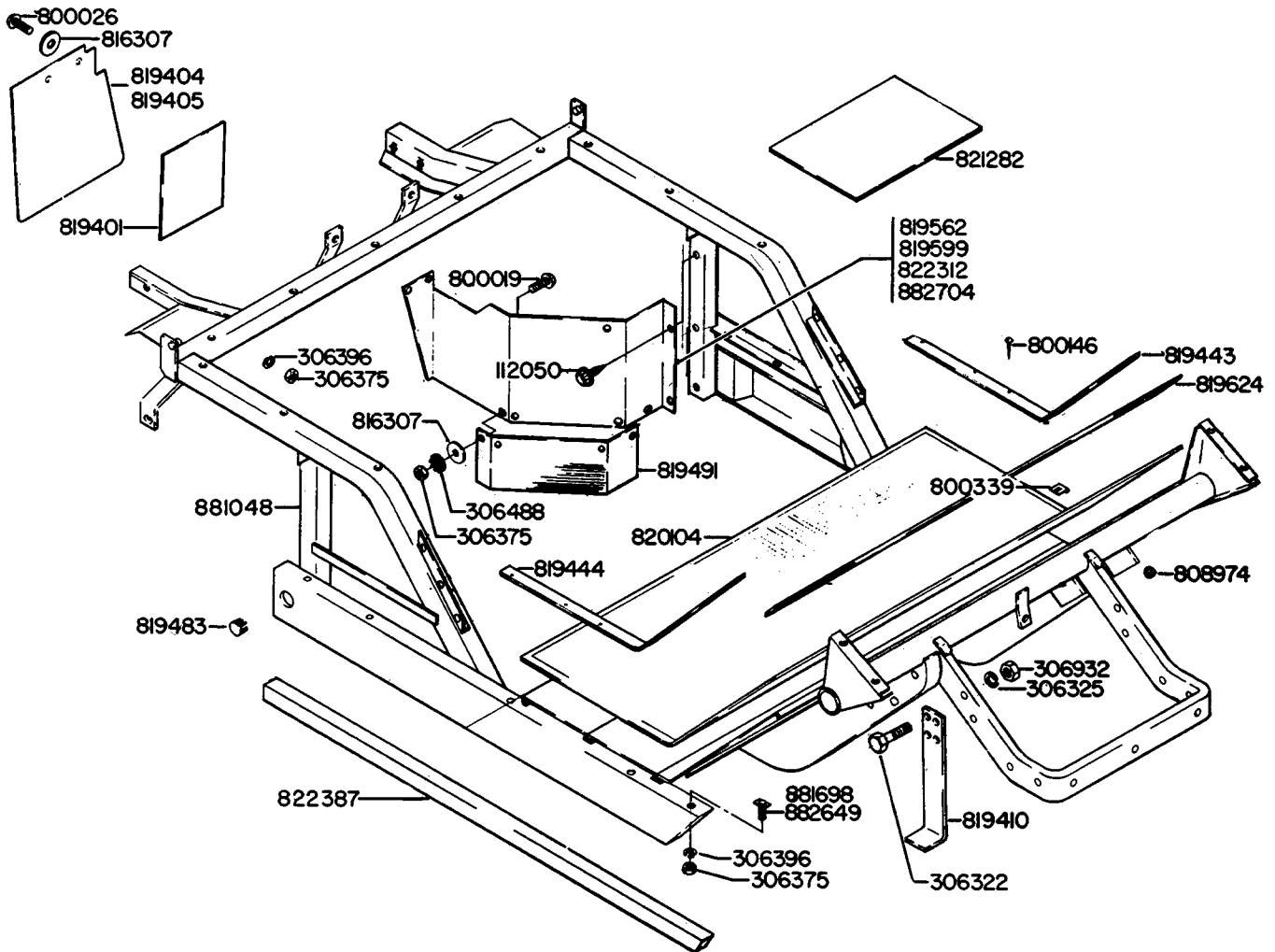


FRONT AXLE

Part No.	Description	No. Req'd.	Part No.	Description	No. Req'd.
120177	Lockwasher, 3/8	9	812666	Washer, shock absorber	4
302600	Screw, 3/8—16 x 1 1/2 hex. hd.	8	813850	Bumper, travel limiting	2
306320	Nut, 5/16—24 hex.	1	815416	"U" Bolt	2
306562	Nut, 3/8—16 hex.	11	817070	Stabilizer bar	1
306981	Washer, 3/8 plain	10	817238	Spacer, spring	1
311390	Screw, 3/8—16 x 3 3/4 hex. hd.	1	817239	Bushing, spring	2
311538	Roll pin	2	817240	Spring, complete	1
800294	Nut, 7/16—14 hex. center lock	6	817249	Collar, spindle	2
806252	Center bolt, spring	1	817252	Thrust washer, spindle	2
807439	Shock absorber	1	817283	Cover, spindle dust	2
807332	Lubrication fitting, straight	2	817457	Bushing	4
809213	Washer	4	819453	Panel, splash	1
810146	Bushing, shock absorber	4	819470	Shim, spring (gasoline models)	1
812215	Clamp, stabilizer bar	4	880766	Axle	1
812216	Bushing, stabilizer bar	4	880768	Spindle, left	1
			880769	Spindle, right	1



MOTOR
(List on Page 34)



MAIN FRAME

(4-Wheel Models)

Part No.	Description	No. Req'd.	Part No.	Description	No. Req'd.
112050	Screw, 1/4 x 5/8 Taptite	8	819443	Trim, floorboard, left	1
306322	Screw, 5/16 x 7/8	4	819444	Trim, floorboard, right	1
306325	Lockwasher, 5/16	4	819483	Plug, hole	2
306375	Nut, 1/4	22	819491	Fender, lower	2
306396	Lockwasher, 1/4	14	819562	Fender, upper, left (1971 & Prior)	1
306488	Lockwasher, 1/4 E.T. shakeproof	8	819599	Fender, upper, right (All Electric Models)	1
306932	Nut, 5/16	4	819624	Trim, floorboard, front	1
800019	Screw, 1/4 x 1/2 P.T.H.	8	820104	Mat, floorboard	1
800026	Screw, 1/4 x 3/4 P.T.H.	4	821282	Insert, floorboard mat	1
800146	Screw, #10	19	822312	Fender, upper, left (1972 Models)	1
800339	Nut, #10 speed	19	822387	Trim, frame	2
808974	Pedal stop	1	881048	Main frame	1
816307	Washer, 1/4	12	881698	T-Screw (metal frame trim)	10
819401	Support, mud guard	2	882649	T-Screw (PVC frame trim)	10
819404	Mud guard, left	1	882704	Fender, upper, right (1972 Gas Models)	1
819405	Mud guard, right	1			
819410	Bumper, travel limiting	2			

RUB RAILS

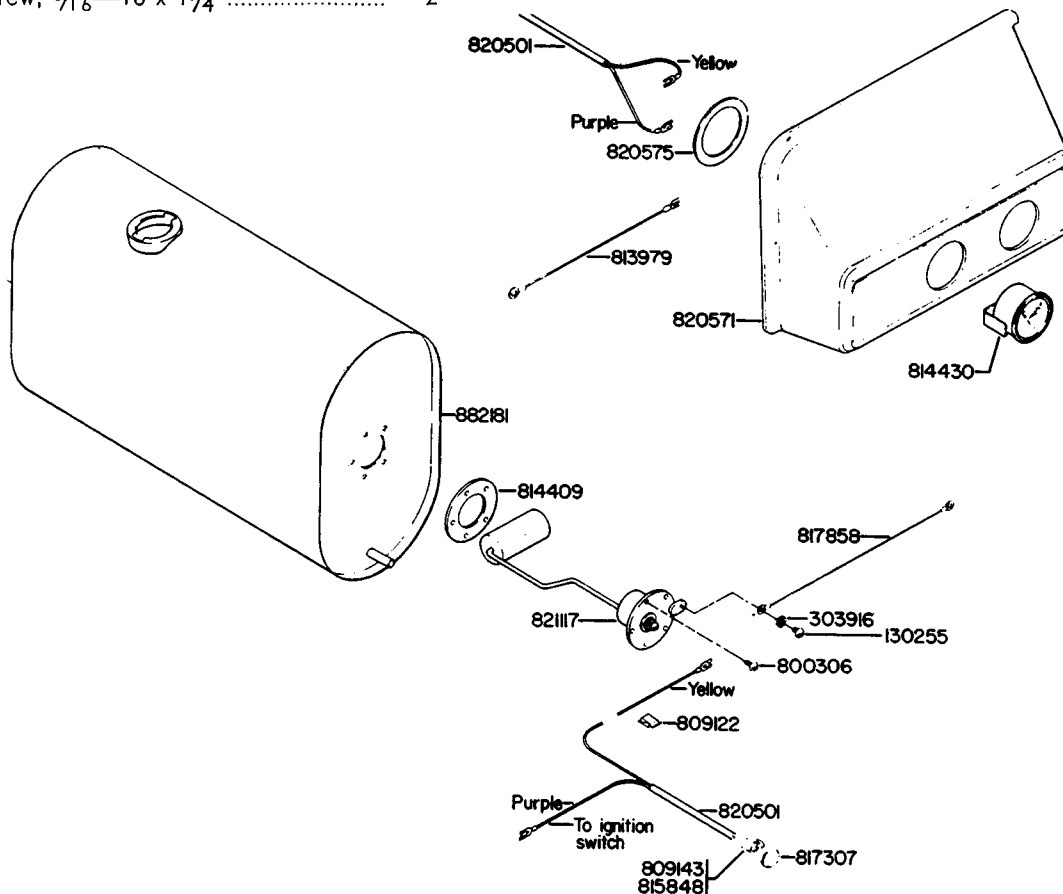
(1968-1971 Models)

882113 Rub Rail Set (4-Wheel)

882114 Rub Rail Set (3-Wheel)

Illustration on Page 54

Part No.	Description	No. Req'd.	Part No.	Description	No. Req'd.
103867	Washer, 5/16 plain	4	800085	Screw, 5/16—18 x 1 carriage	8
120177	Lockwasher, 3/8 (electric only)	2	819389	Support, angle (electric only)	1
306325	Lockwasher, 5/16	8	819865	Rub rail, rear	2
306414	Screw, 3/8—16 x 1 hex. hd. (electric only)	2	820914	Plate, reinforcement	2
306562	Nut, 3/8—16 hex. (electric only)	2	882081	Rub rail, right front (4-wheel)	1
306932	Nut, 5/16—18 hex.	8	882082	Rub rail, left front (4-wheel)	1
306981	Washer, 3/8 plain (electric only)	4	882111	Rub rail, right front (3-wheel)	1
800062	Screw, 5/16—18 x 1 1/4	2	882112	Rub rail, left front (3-wheel)	1



FUEL GAUGE

Part No.	Description	No. Req'd.	Part No.	Description	No. Req'd.
130255	Screw, #10—24 x 1/4 rd. hd.	1	815848	Clamp	1
303916	Lockwasher, #10 E.T. shakeproof	1	817307	Grommet	2
800306	Screw, self-sealing	5	817858	Wire, sender ground	1
809122	Clip	4	820501	Harness, fuel gauge	1
809143	Clamp	1	820571	Panel, dash	1
813979	Wire, fuel gauge ground	1	820575	Plate, gauge backing	1
814409	Gasket	1	821117	Sender	1
814430	Gauge, fuel	1	882181	Tank, fuel	1

CLICK HERE TO **DOWNLOAD** THE COMPLETE MANUAL

- Thank you very much for reading the preview of the manual.
- You can download the complete manual from: www.heydownloads.com by clicking the link below



- Please note: If there is no response to CLICKING the link, please download this PDF first and then click on it.

CLICK HERE TO **DOWNLOAD** THE COMPLETE MANUAL