

## Customer Service Information

This standard Parts Catalog contains parts information for the following Cummins Engine Model(s):

QSX15 Generator Drive

D103003GX03

CPL 8081, CPL 2900

Certain basic engine components have been matched to give optimum performance to your engine. The part numbers listed in this catalog for these components are for a standard engine configuration. When ordering any of the Control Parts List (CPL) components listed below, please order by part description and engine serial number. Reference to the CPL number stamped on the engine data (name) plate will also help identify the proper service parts for your engine.

### Control Parts List (CPL) Components

Camshaft  
Cylinder Head  
Injector

Page 66, 74  
Page 65, 73  
Page 69, 77

Engine Piston  
Turbocharger  
Exhaust Manifold

Page 85, 89  
Page 71, 79  
Page 100

### USER INFORMATION

- . Parts numbers appearing in ( ) are for identification purposes only and should not be used when ordering service replacement parts.
- . The reference numbers appearing on the art pages is for publication use only.
- . Assembly content is shown by part number indentation.
- . Options are engineered production part groupings, specifically used for compiling engine orders.
- . Option numbers are for reference only and are not sold for service.
- . Use assembly and not option content to determine service parts replacement.

### ALWAYS SPECIFY ENGINE MODEL AND SERIAL NUMBER WHEN ORDERING PARTS FROM THIS CATALOG

Engine Model \_\_\_\_\_ Engine Serial No. \_\_\_\_\_

MFG Make \_\_\_\_\_ Model \_\_\_\_\_ Chassis No. \_\_\_\_\_

Fuel Pump Assembly No. \_\_\_\_\_ Injector No. \_\_\_\_\_

Belt, Fan \_\_\_\_\_ Belt, Water Pump \_\_\_\_\_ Belt, Gen. \_\_\_\_\_

Element, Fuel Filter \_\_\_\_\_ Full Flow Lub. Filter \_\_\_\_\_

Air Cleaner \_\_\_\_\_ By-Pass Lub. Filter \_\_\_\_\_

Special Equipment  
\_\_\_\_\_  
\_\_\_\_\_  
\_\_\_\_\_

CLICK HERE TO **DOWNLOAD** THE COMPLETE MANUAL

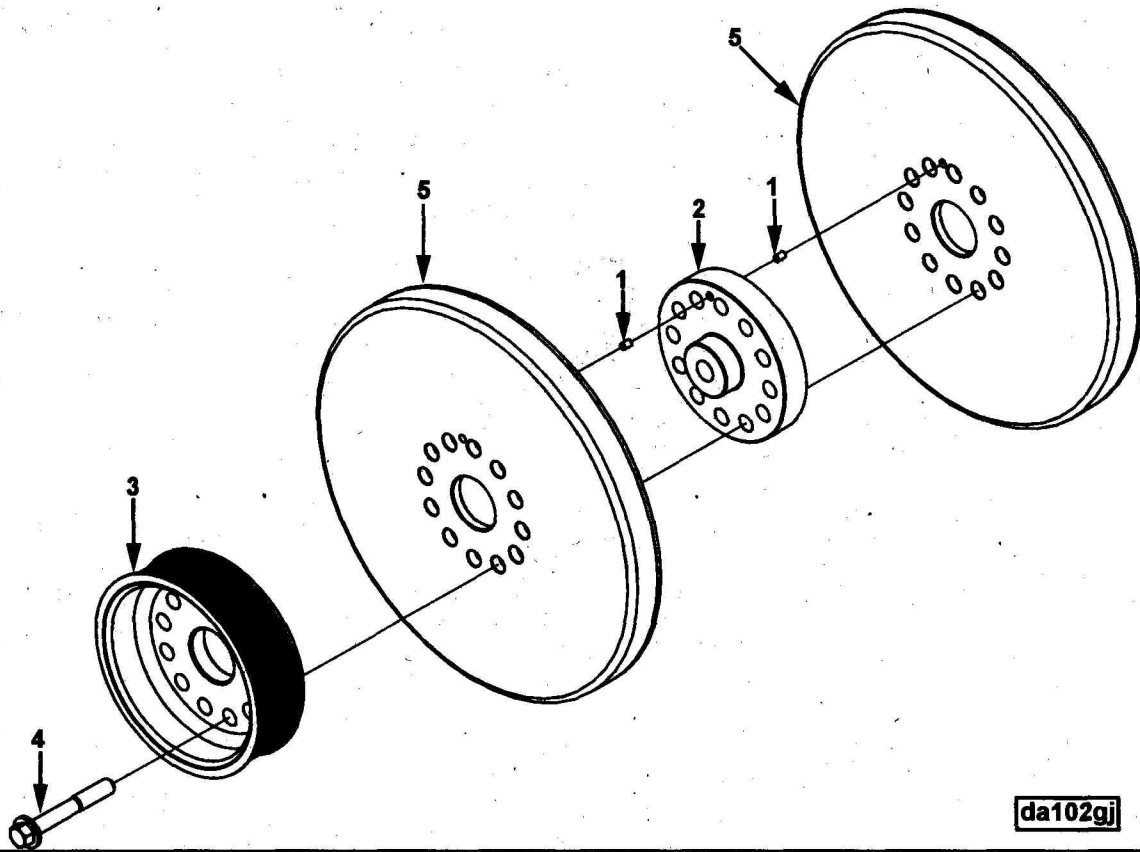
- Thank you very much for reading the preview of the manual.
- You can download the complete manual from: [www.heydownloads.com](http://www.heydownloads.com) by clicking the link below



- Please note: If there is no response to CLICKING the link, please download this PDF first and then click on it.

CLICK HERE TO **DOWNLOAD** THE COMPLETE MANUAL

Ref No.	Part Number	Part Name	Req	Remarks
		<b>CRANKSHAFT OPTION BB1844</b>		
	4925762	Crankshaft, Engine	1	
1	3068935	Dowel, Pin	2	
2	3680503	Adapter, Crankshaft	1	
3	3681054	Dowel, Pin	1	
4	3680542	Gear, Crankshaft	1	
5	3681194	Ring, Speed Indicator	1	
6	(4925761)	Crankshaft, Engine	1	
	3800298	Set, Main Bearing (std)		
7	(3678555)	Bearing, Main	7	Serviced as 3800298.
8	(3678556)	Bearing, Main	7	
9	(3680202)	Bearing, Crankshaft Thrust	4	



da102gj

Ref No.	Part Number	Part Name	Req	Remarks
		<b>VIBRATION DAMPER OPTION DA1229</b>		<p>Vibration Damper</p> <p>Intended Drive: Belt Driven Fan or Off Engine Customer Driven Fan</p> <p>Includes Two Viscous Vibration Dampers and Crankshaft Pulley with no front PTO provision.</p> <p>Crank Pulley Diameter: 186.23 mm (7.33 in)</p> <p>Crank Pulley Groove Type: Poly Vee 12 Rib "K".</p> <p>Crank Pulley Groove Location: 190.95 mm (7.51 in)</p> <p>Vibration Damper Quantity: Two 50 HP Maximum</p>
1	3068935	Dowel, Pin	2	
2	3681595	Spacer, Mounting	1	
3	3101376	Pulley, Crankshaft	1	
4	3681583	Screw, Hexagon Head Cap	12	
5	4101884	Damper, Vibration	2	

Ref No.	Part Number	Part Name	Req	Remarks
		<b>FAN DRIVE OPTION FA1467</b>		<p>Fan Drive Supplier: Cummins  Fan Center Location: 406.4mm (16.0 in)  Fan Drive Ratio: .75:1  Fan Center Style: Fixed Driven from Crankshaft  Fan Hub Pilot Diameter: 76.2mm (3.0 in)  Pulley Groove Type: Poly Vee 12 Rib "K"  Fan Pulley Diameter: 248.0mm (9.76 in)  Fan Drive Groove Location: location:  190.95mm (7.52 in) Front Face of Block to First Groove  Belt Tensioning Method: Automatic fan  Fan Bracket Mounting Location: Front of Head/Bloc  Fan Mounting Surface Location: 278.3mm (10.9 in) Front Face of Block to Fan Mounting Surface  Maximum Torque Capability: 200nm (150 Lbs. FT)  Maximum Fan Inertia: 2.26 nm-sec<sup>2</sup> (20 in-LB-sec<sup>2</sup>)  Maximum Bending Moment: 62.2nm (550 in-LB)  Maximum Fan Weight: 49.9 Kg (110 LB)  Maximum Fan Spacer Thickness: 127mm (5 in)</p>
1	S 113	Screw, Hexagon Head Cap	6	1/2 - 13 x 1 1/2 inch
2	3895517	Washer, Plain	6	1 inch
3	3026269	Washer, Plain	1	1/2 inch
4	3093940	Screw, Hex Flange Head Cap	4	
5	3093936	Screw, Hex Flange Head Cap	1	
6	3093939	Screw, Hex Flange Head Cap	4	
7	3095220	Pulley, Fan	1	
8	70760	Dowel, Pin	1	
9	3681715	Adapter, Pilot	1	
10	3681129	Support, Belt Tensioner	1	
11	3681130	Bracket, Fan	1	
12	3104029	Tensioner, Belt	1	
13	3681587	Pulley, Idler	1	
14	3106099	Belt, V Ribbed	1	
	(3681793)	Hub, Fan	1	
15	142176	Nut, Lock	1	1 1/8 - 12 UNF.
16	200307	Seal, Oil	1	
17	3012467	Washer, Plain	1	1 1/8 Inch.
18	3063844	Cover, Fan Hub	1	
19	3081164	Bearing, Roller	1	
20	3095221	Hub, Fan	1	
21	3681705	Spindle, Fan	1	
22	3902460	Screw, Hex Flange Head Cap	1	M10 x 1.50 x 25
23	3903112	Screw, Hex Flange Head Cap	12	M10 x 1.50 x 30
24	3914407	Screw, Hex Flange Head Cap	1	M10 x 1.50 x 100
25	3935013	Shield, Dust	1	

Ref No.	Part Number	Part Name	Req	Remarks
	4010077	Valve, Check	2	
40	3089240	Seal, O Ring	1	
41	(4010078)	Valve, Check	1	
	4010315	Valve, Check	1	
42	3679139	Seal, O Ring	1	
43	(4010316)	Valve, Check	1	
44	4076471	Screw, Socket Head Cap	4	
45	(4076572)	Housing, Fuel Control	1	
	4076593	Valve, Check	1	
46	3678925	Seal, O Ring	1	M10 x 1.00
47	(4076594)	Valve, Check	1	
48	4076599	Plug, Orifice	1	
49	(4088064)	Tag, Identificati	1	
50	4088274	Disc, Actuator	1	
51	4088450	Screw, Hex Flange Head Cap	4	
	4088806	Plug, Threaded	6	
52	3678912	Seal, O Ring	1	
53	(4088802)	Plug, Threaded	1	
	4088807	Plug, Threaded	3	
54	3678786	Seal, O Ring	1	
55	(4088803)	Plug, Threaded	1	
56	(4088848)	Pump, Gear Fuel	1	Serviced as 4089431.
6	100099	Seal, Rectangular Ring	1	
10	139988	Seal, Rectangular Ring	1	
11	151900	Seal, Rectangular Ring	1	
12	160514	Washer, Plain	1	1 11/16 Inch.
14	202897	Diaphragm, Ful Pump Damper	1	
24	3330651	Cover, Fuel Pump Damper	1	
25	3330652	Body, Fuel Pump Damper	1	
57	4088863	Housing, Actuator	1	
58	4902789	Gasket, Actuator	4	
59	(4902904)	Actuator, Metering	2	Serviced as 4089980.
60	(4902905)	Actuator, Timing	2	Serviced as 4089981.
61	4921499	Sensor, Pressure	1	
62	4010519	Seal, O Ring	1	
63	4935095	Pump, Fuel	1	
64	4954472	Gasket, Support	1	
65	4954473	Gasket, Fuel Pump	1	
66	4954670	Screw, Pan Head Cap	12	
	4025255	Kit, Ifsm Service/Repair	1	
	S 2286	Screw, Drive	2	
	105375	Nameplate	1	
	129888	Seal, Rectangular Ring	2	
	151900	Seal, Rectangular Ring	2	
	3021123	Seal, O Ring	1	
	3025806	Screw, Socket Head Cap	3	M8 X 1.25 X 30.
	3037537	Seal, O Ring	2	
	3042543	Seal, O Ring	1	
	3044297	Seal, O Ring	13	
	3045986	Seal, O Ring	4	
	3084539	Seal, O Ring	1	
	3089240	Seal, O Ring	2	
	3089392	Seal, O Ring	1	
	3330202	Seal, O Ring	3	
	3330478	Seal, O Ring	1	
	3347832	Seal, Grommet	4	
	3348703	Seal, O Ring	1	
	3678786	Seal, O Ring	3	
	3678846	Seal, O Ring	2	
	3678912	Seal, O Ring	6	
	3679139	Seal, O Ring	1	
	3867481	Seal, O Ring	1	

Ref No.	Part Number	Part Name	Req	Remarks
		<b>ENGINE OIL COOLER OPTION LC1729</b>		
				Plate type oil cooler located on exhaust side of the engine. Thermostat controlled oil flow, with pressure relief valve. Utilizes two oil cooler.
				This option provides studed cap screws for mounting OEM supplied items. Six studed screws are located in the oil cooler mounting holes.
				OEM mounted items should be flush with the outboard screw hexagon face. The maximum weight attached to each capscrew should not exceed 11 N (2.5 lbf).
				Serviced as 4955592.
1	(3104232)	Gasket, Lub Oil Clr Hsg	1	
2	3417474	Screw, Captive Washer Cap	15	
3	3681927	Screw, Captive Washer Cap	5	
	4965905	Head, Oil Filter Cooler	1	
	3090400	Union, Male	1	
4	3090419	Union, Male	1	
5	3679139	Seal, O Ring	1	
6	3922794	Seal, O Ring	1	
7	3411881	Ring, Retaining	1	
	3678873	Plug, Threaded	1	
8	3678786	Seal, O Ring	1	
9	(3678791)	Plug, Threaded	1	
	3678921	Plug, Threaded	4	
10	3678912	Seal, O Ring	1	
11	(3678922)	Plug, Threaded	1	
	3679880	Plug, Threaded	1	
12	3089025	Seal, O Ring	1	
13	(3679881)	Plug, Threaded	1	
14	3820320	Plunger, Bypass Valve	1	
15	3882586	Spring, Compression	1	
16	4952629	Thermostat	1	
	4952760	Plug, Threaded	1	
17	3678606	Seal, O Ring	1	
18	(4952759)	Plug, Threaded	1	
19	4965483	Screw, Twelve Point Cap	4	
20	4965484	Spacer, Mounting	4	
21	4965487	Core, Cooler	1	
	4965896	Head, Oil Filter Cooler	1	
22	(3681508)	Insert, Filter Head	1	
23	(4965895)	Head, Oil Filter Cooler	1	
24	4973532	Gasket, Oil Cooler Core	2	
	4955831	Kit, Oil Cooler		
	4965483	Screw, Twelve Point Cap	4	
	4965484	Spacer, Mounting	4	
	4965487	Core, Cooler	1	
	4973532	Gasket, Oil Cooler Core	2	
	4955829	Kit, Oil Cooler Gasket		
	4965483	Screw, Twelve Point Cap	4	
	4965484	Spacer, Mounting	4	
	4966084	Seal, O Ring	2	
	4973532	Gasket, Oil Cooler Core	2	
	4955592	Set, Lub Oil Cooler Hsg		
	(3104232)	Gasket, Lub Oil Clr Hsg	1	Serviced as 4955592.
	4026420	Cover, Protective	1	
	4058956	Cover, Protective	1	

CLICK HERE TO **DOWNLOAD** THE COMPLETE MANUAL

- Thank you very much for reading the preview of the manual.
- You can download the complete manual from: [www.heydownloads.com](http://www.heydownloads.com) by clicking the link below



- Please note: If there is no response to CLICKING the link, please download this PDF first and then click on it.

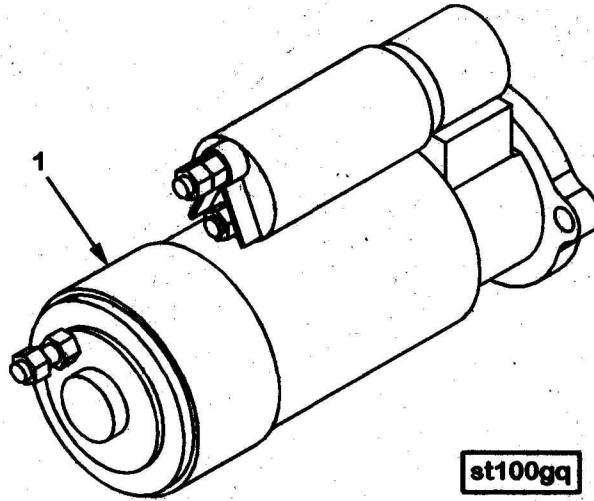
CLICK HERE TO **DOWNLOAD** THE COMPLETE MANUAL

Ref No.	Part Number	Part Name	Req	Remarks
		<b>OIL-PAN OPTION OP1493</b>		Oil pan Sump location: Full sump Material: Cast Aluminum High oil pan capacity: 83.3 L (22.0 gal) Low oil pan capacity: 75.7 L (20.0 gal) Engine capacity: 90.8 L (24 gal) Angularity limits: 45 degrees front down 45 degrees rear down 45 degrees fuel pump down 45 degrees exhaust down Drain location (m27 x 2 straight thread o ring): Side See BR option for additional angularity restrictions
	3103453	Pan, Oil TLA	1	
	3678838	Plug, Threaded	1	
1	(3678845)	Plug, Threaded	1	
2	3678846	Seal, O Ring	1	
	3678921	Plug, Threaded	1	M14 X 1.50
3	3678912	Seal, O Ring	1	
4	(3678922)	Plug, Threaded	1	
	3680534	Plug, Threaded	5	
5	3680533	Plug, Threaded	1	
12	3678606	Seal, O Ring	1	M27 x 2.00
6	3680894	Pan, Oil	1	
7	3678756	Seal, O Ring	1	
8	3679714	Connection, Oil Suction	1	
9	3892692	Screw, Captive Washer Cap	32	M10 x 1.50 x 45
10	3903112	Screw, Hex Flange Head Cap	2	M10 x 1.50 x 30
11	4026684	Gasket, Oil Pan	1	

Ref No.	Part Number	Part Name	Req	Remarks
		<b>INJECTOR</b>		
		<b>OPTION PP2900</b>		
1	4062568	Injector	6	
2	3347937	Seal, O Ring	6	Green
3	3347939	Seal, O Ring	6	Black
4	4009692	Screen, Filter	6	
5	3330537	Seal, O Ring	6	
6	3330538	Seal, O Ring	6	
	3347867	Link, Injector Plunger	6	
7	(3330607)	Link, Injector Plunger	6	
8	3867742	Retainer, Injector Link	6	
9	4010231	Clamp, Injector	6	
10	3679102	Screw, Twelve Point Cap	6	
11	3087316	Screen, Filter	6	

Ref No.	Part Number	Part Name	Req	Remarks
		<b>TURBOCHARGER OPTION PP8081</b>		
	4025027 (3594195)	Kit, Turbo Turbocharger	1 1	HX82-A4011BG/BA25GA for Apex powergen 1500 RPM (50HZ) engine. To replace ID17 3592880.
1	3502449	Seal, Rectangular Ring	1	
2	3504967	Washer, Plain	4	
3	3519163	Screw, Drive	2	
4	3519535	Nut, Lock	1	M11 X 1.00.
5	3591522	Collar, Thrust	1	
6	(3598528)	Bearing, Turbocharger	2	
7	3519641	Ring, Retaining	4	
8	3536588	Shield, Turbocharger Heat	1	
9	3521225	Screw, Hexagon Head Set	8	M8 X 1.25 X 16.
10	3521442	Seal, Split Ring	1	
11	3522597	Pin, Roll	2	
12	3522904	Lockplate	4	
13	3523412	Seal, Split Ring	1	
14	3523980	Slinger, Oil	1	
15	3524418	Shim	1	
16	3524419	Baffle, Oil	1	
17	3525073	Screw, Hexagon Head Set	4	M8 X 1.25 X 25.
18	(3527619)	Dataplate	1	
19	3529372	Nut, Regular Hexagon	1	1/4 - 28 UNF
20	3532593	Diffuser, Turbocharger	1	
21	3532617	Clamp, V Band	1	
22	(3593178)	Impeller, Tur Compressor	1	
23	3521033	Shaft & Wheel	1	
24	3536914	Bearing, Tur Thrust	1	
25	3594556	Housing, Tur Bearing	1	
26	(4045408)	Housing, Compressor	1	
27	3591301	Housing, Turbine	1	
28	3171368	Gasket, Turbocharger	1	
29	4965730	Stud	4	
30	3818824	Nut, Hexagon Flange	4	M10 x 1.50
	3800192	Kit, PDC		
	201048	Gasket, Connection	1	
	201049	Gasket, Connection	1	
	206576	Gasket, Turbocharger	1	
	3023066	Seal, O Ring	2	
	3088371	Seal, Dust	1	

Ref No.	Part Number	Part Name	Req	Remarks
		<b>ENGINE PISTON OPTION PP10226</b>		
				Piston, engine
				CPL: 2834, 2835, 2836, 2837, 2900, 8246, 8247.
				Recon equivalent 4059429 NX
1	(4059429)	Rod, Engine Connecting	6	
2	(4059449)	Rod, Engine Connecting	6	
3	3678574	Screw, Connecting Rod Cap	4	
3	3678739	Dowel, Ring	2	
4	(4059448)	Bushing	1	
5	(4925971)	Bearing, Connecting Rod	6	Serviced as 4089405.
6	(4925975)	Bearing, Connecting Rod	6	Serviced as 4089405.
7	4923748	Pin, Piston	6	
8	4923746	Piston, Engine	6	
9	3064305	Ring, Retaining	12	
10	3684010	Ring, Compression Piston	6	
11	(3681078)	Ring, Compression Piston	6	
12	(3682398)	Ring, Oil Piston	6	
	4089405	Set, Rod Bearing (STD)	6	
	(4925971)	Bearing, Connecting Rod	6	Serviced as 4089405.
	(4925975)	Bearing, Connecting Rod	6	Serviced as 4089405.
	4089406	Set, Piston Ring	6	
	(3682398)	Ring, Oil Piston	1	Serviced as mult kits.
	3683008	Ring, Compression Piston	1	Serviced as mult kits.
	(3681078)	Ring, Compression Piston	1	Serviced as 4089406.
	4089897	Kit, Engine Piston	6	
	3064305	Ring, Retaining	2	
	4923746	Piston, Engine	1	
	4923748	Pin, Piston	1	
	4089406	Set, Piston Ring	1	



Ref No.	Part Number	Part Name	Req	Remarks
1	4078512	Motor, Starting	1	<p>STARTING MOTOR OPTION ST1363</p> <p>Manufacturer: Manufactured by Delco Remy, branded for Cummins Model: DR42 MT400 Voltage: 24 Rotation: Right Hand Solenoid Angle (degrees): 277.5 Length: 393.45mm (15.5in) Power Supply: Electric Starter location: Engine right.</p>



CLICK HERE TO **DOWNLOAD** THE COMPLETE MANUAL

- Thank you very much for reading the preview of the manual.
- You can download the complete manual from: [www.heydownloads.com](http://www.heydownloads.com) by clicking the link below



- Please note: If there is no response to CLICKING the link, please download this PDF first and then click on it.

CLICK HERE TO **DOWNLOAD** THE COMPLETE MANUAL