

CROWN



Parts Manual

WE/WS2000 Series

CLICK HERE TO **DOWNLOAD** THE COMPLETE MANUAL

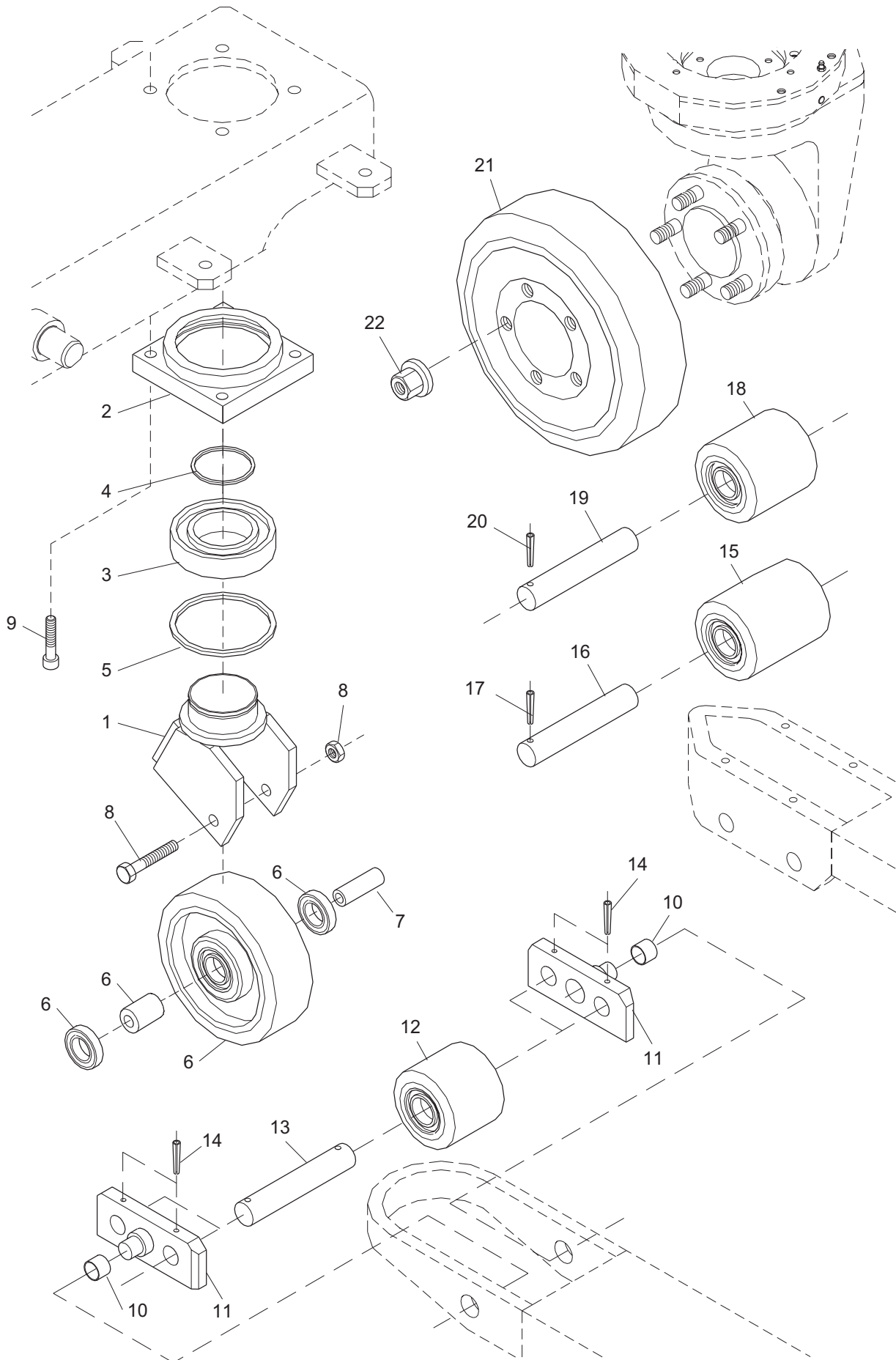
- Thank you very much for reading the preview of the manual.
- You can download the complete manual from: www.heydownloads.com by clicking the link below



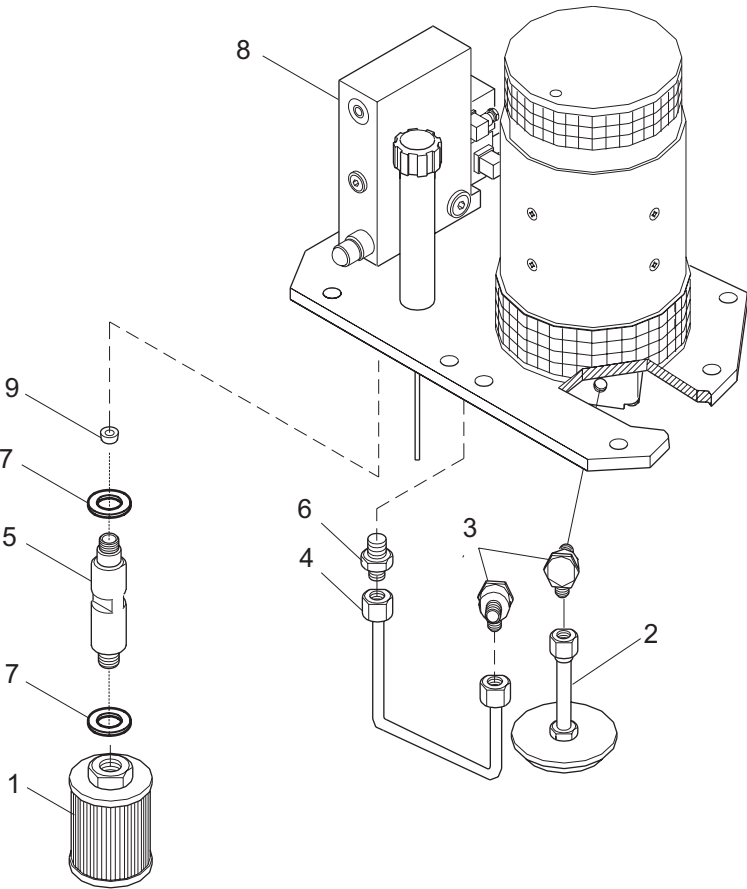
- Please note: If there is no response to CLICKING the link, please download this PDF first and then click on it.

CLICK HERE TO **DOWNLOAD** THE COMPLETE MANUAL

Page intentionally left blank



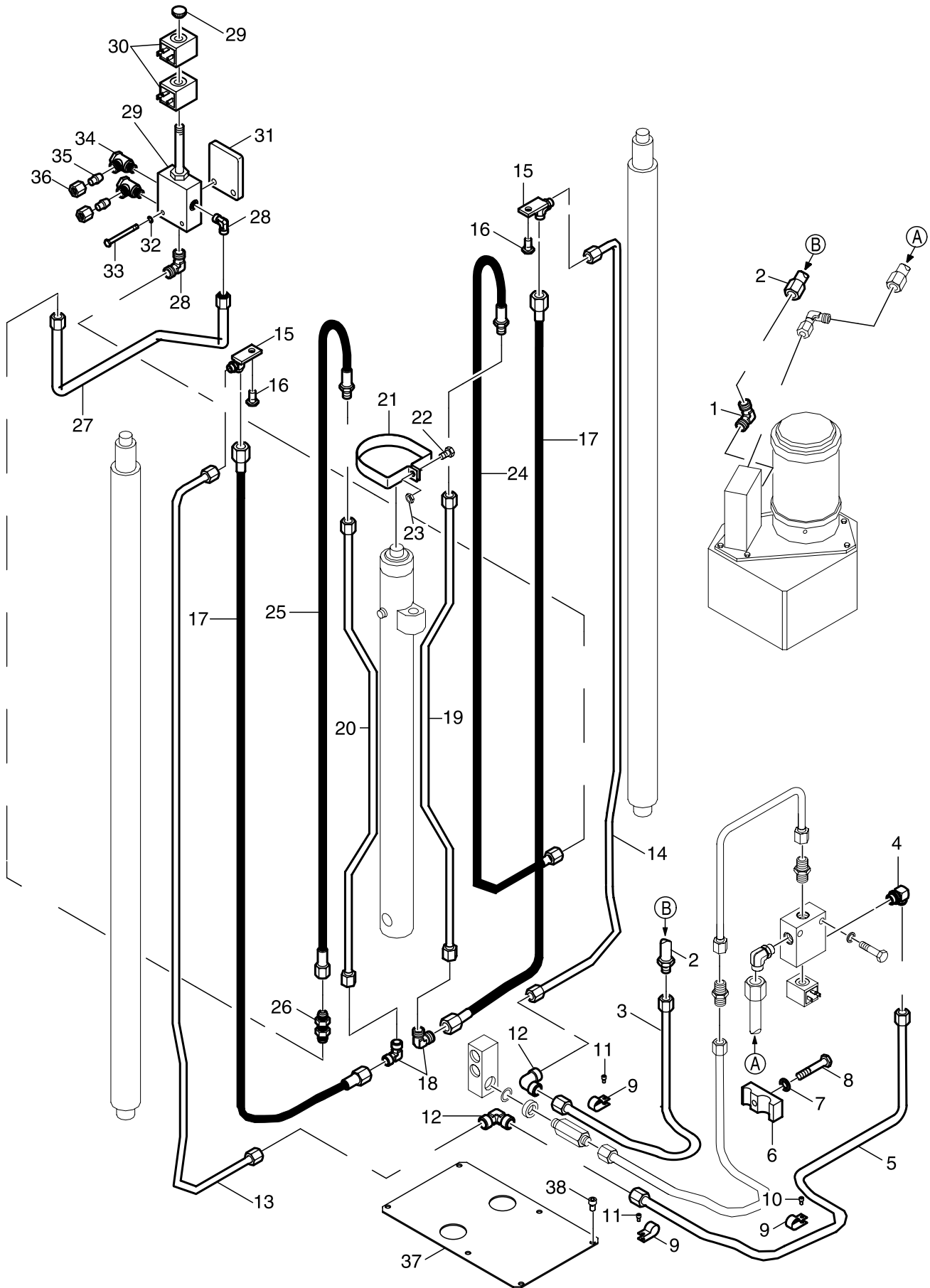
M1142



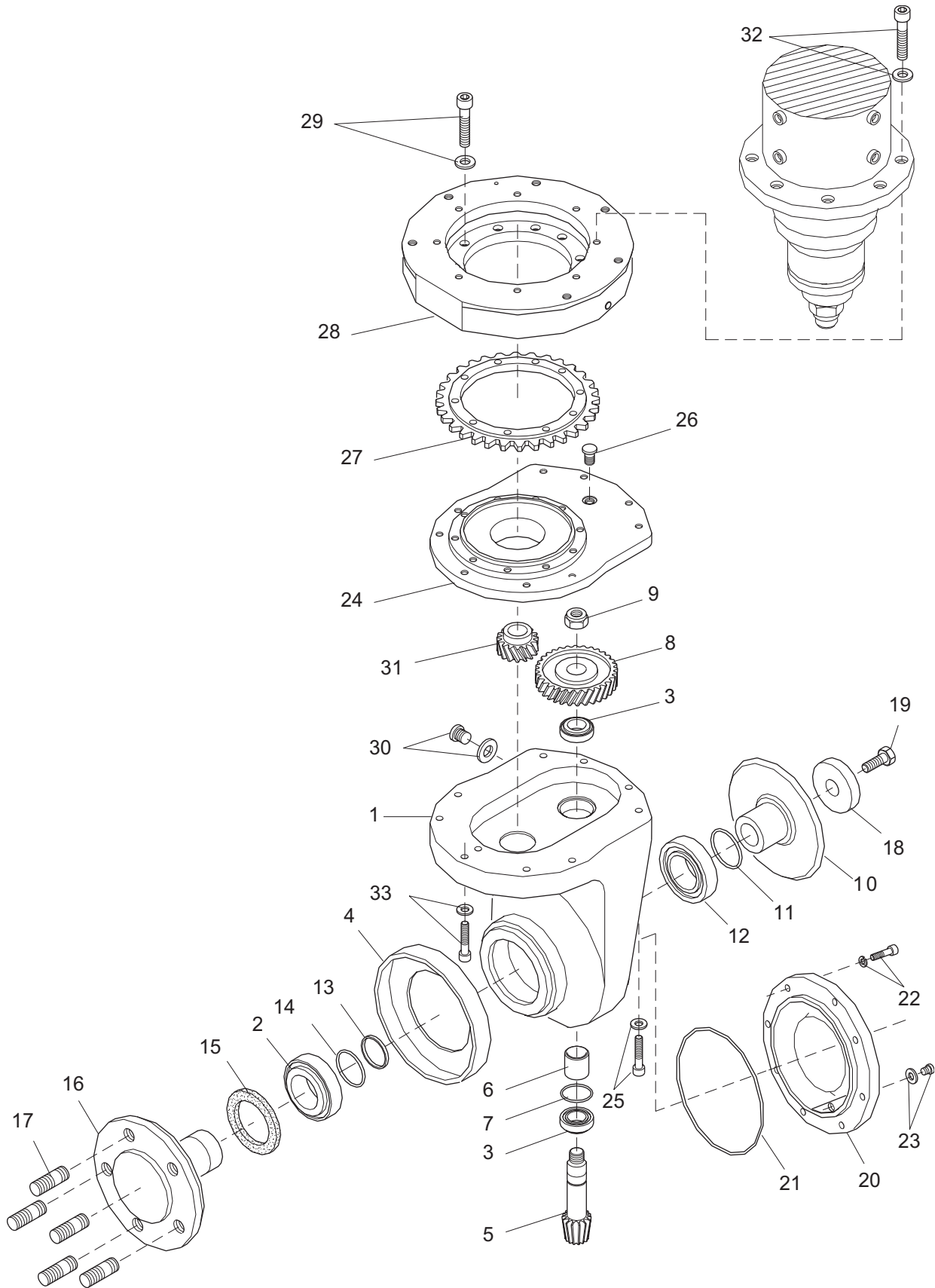
M0607

Position 29	Position 30	Position 35	Collapsed Height
812104-001-01	812104-002-01	054165-038	2930 mm
812104-001-02	812104-002-02	054165-039	3230 mm
812104-001-03	812104-002-03	054165-040	3530 mm
812104-001-04	812104-002-04	054165-041	3830 mm
812104-001-05	812104-002-05	054165-042	4230 mm

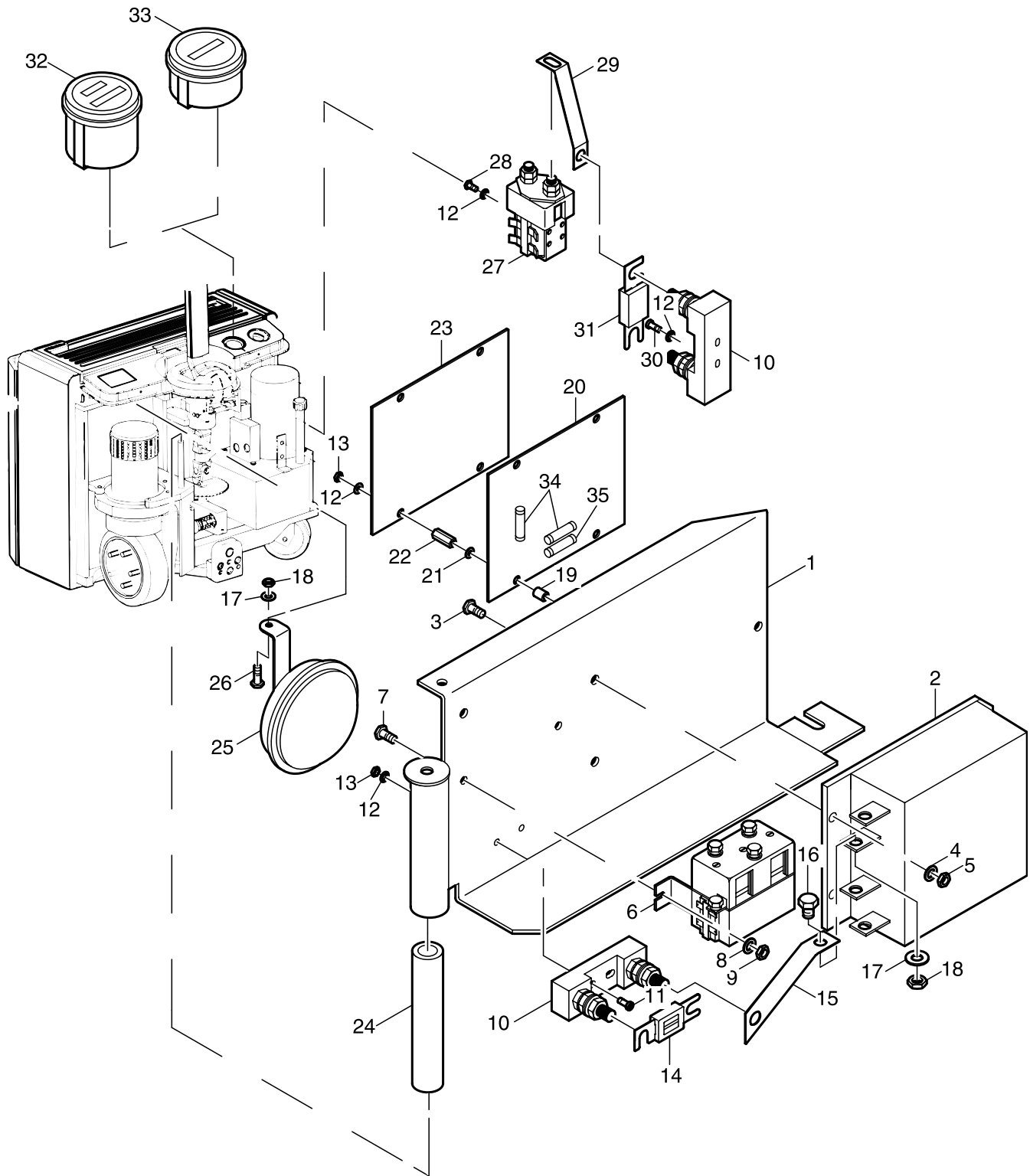
Tab001gb



M1949



M0125



M2030

CLICK HERE TO **DOWNLOAD** THE COMPLETE MANUAL

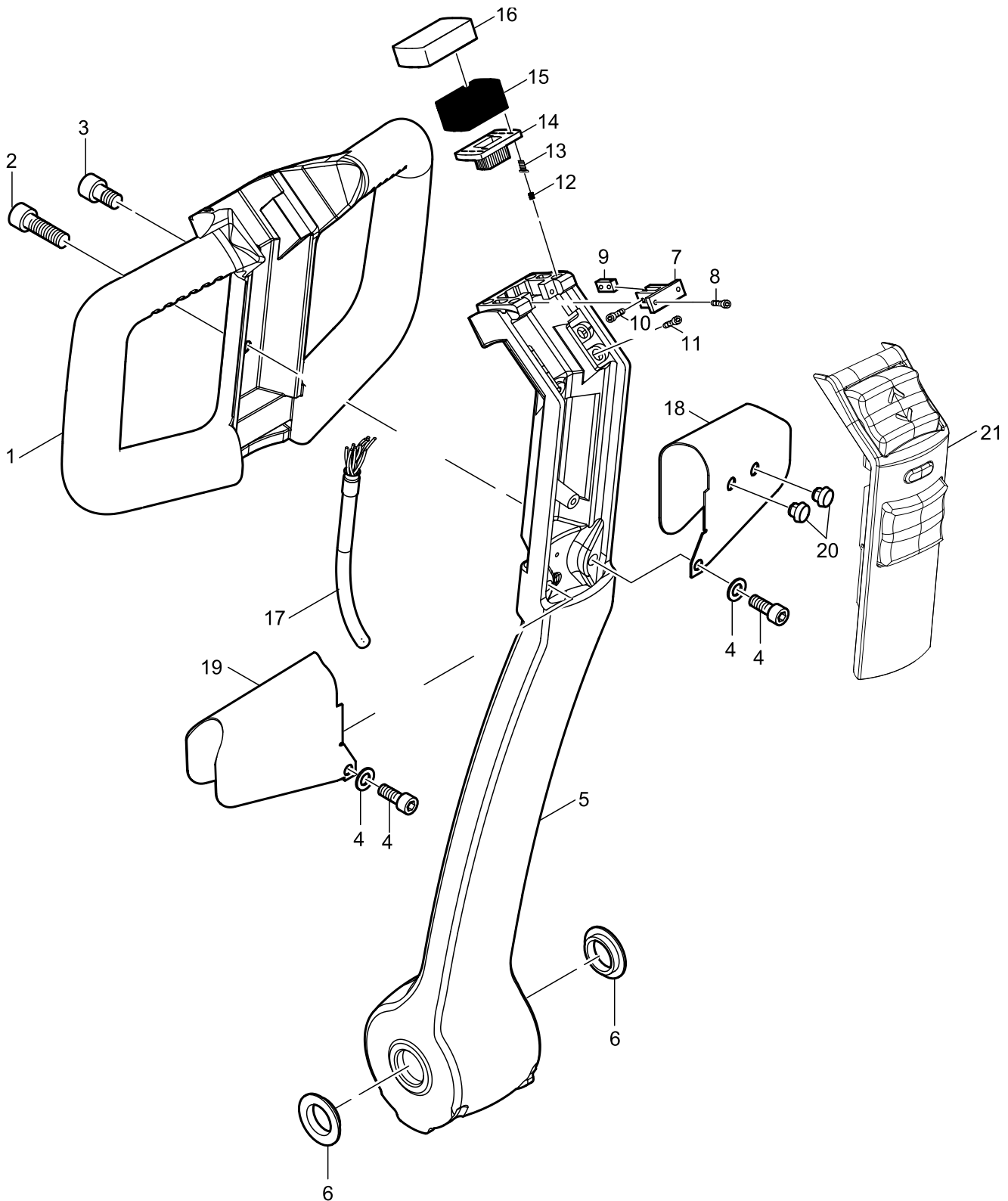
- Thank you very much for reading the preview of the manual.
- You can download the complete manual from: www.heydownloads.com by clicking the link below



- Please note: If there is no response to CLICKING the link, please download this PDF first and then click on it.

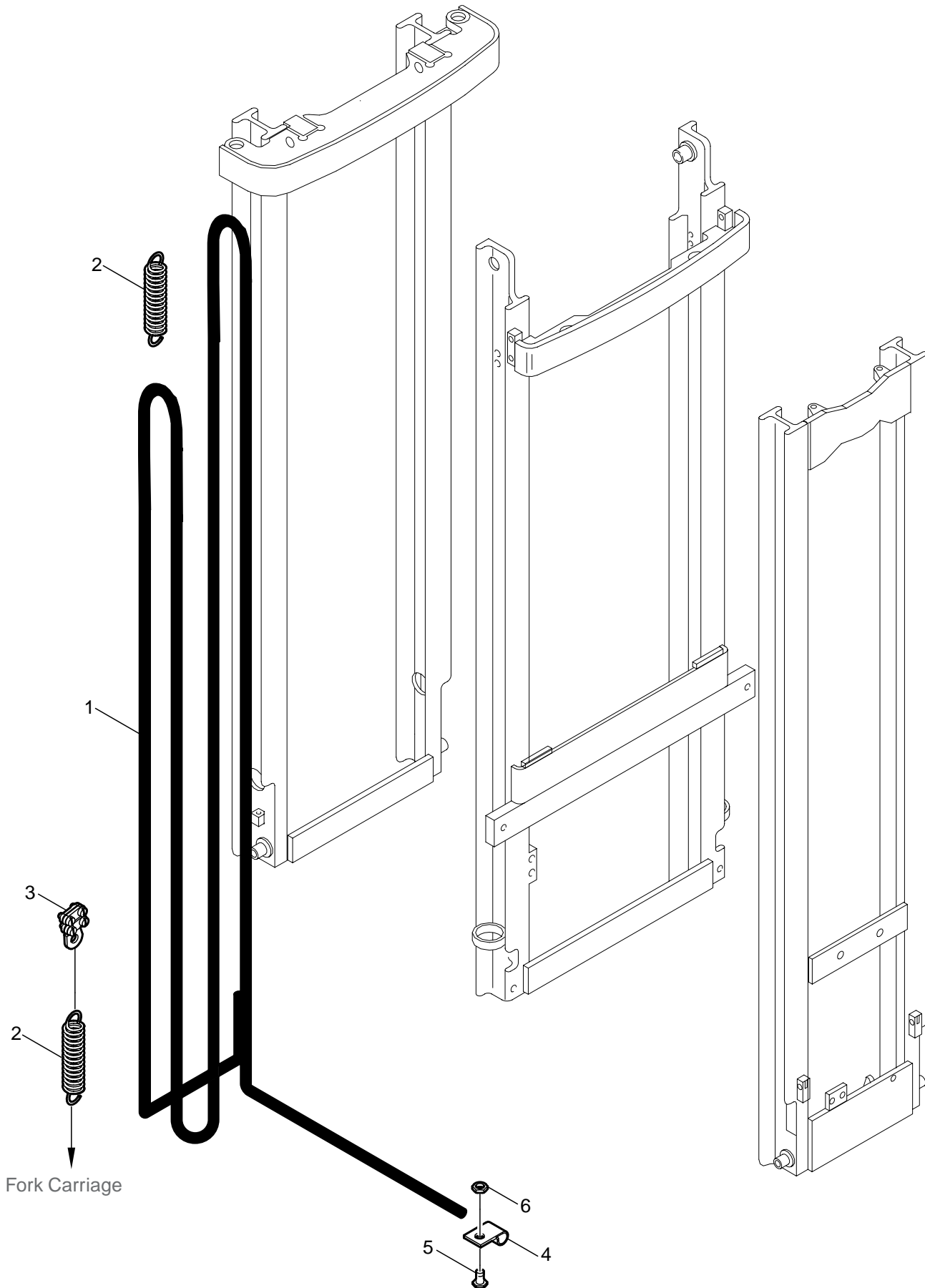
CLICK HERE TO **DOWNLOAD** THE COMPLETE MANUAL

Hydraulic Accessories



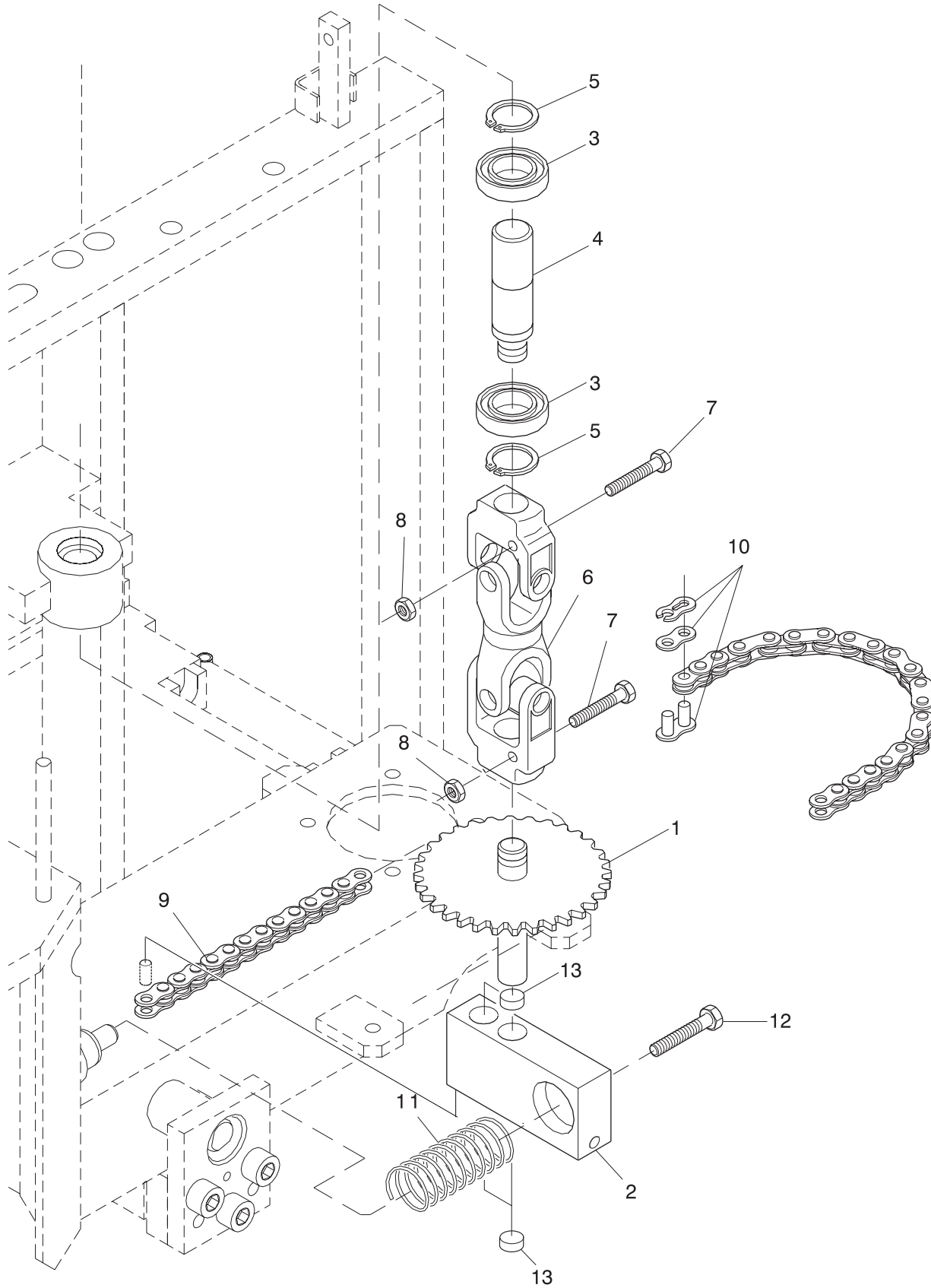
M1904

Hydraulic Accessories



Fork Carriage

M1956



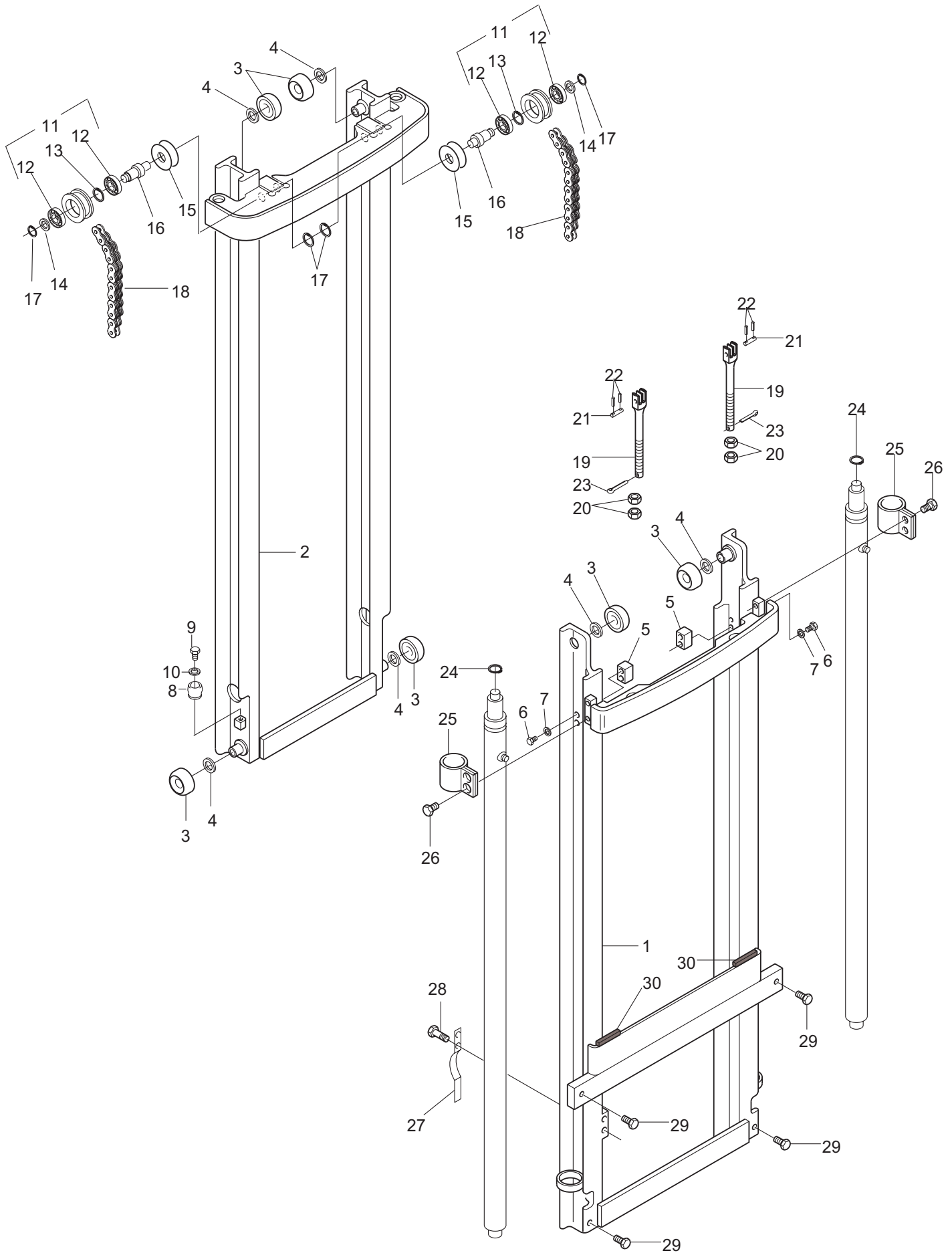
M0635

Position 1	Position 2	Position 17	Safety Screen	Collapsed Height
803436-001-01	803414-001	051059-006	813455-008	3000 mm
803436-001-02	803414-002	051059-007	813455-009	3300 mm
803436-001-03	803414-003	051059-008	813455-011	3600 mm
803436-001-04	803414-004	051059-009	813455-012	3900 mm
803436-001-05	803414-005	051059-010	813455-013	4300 mm

Tab007gb

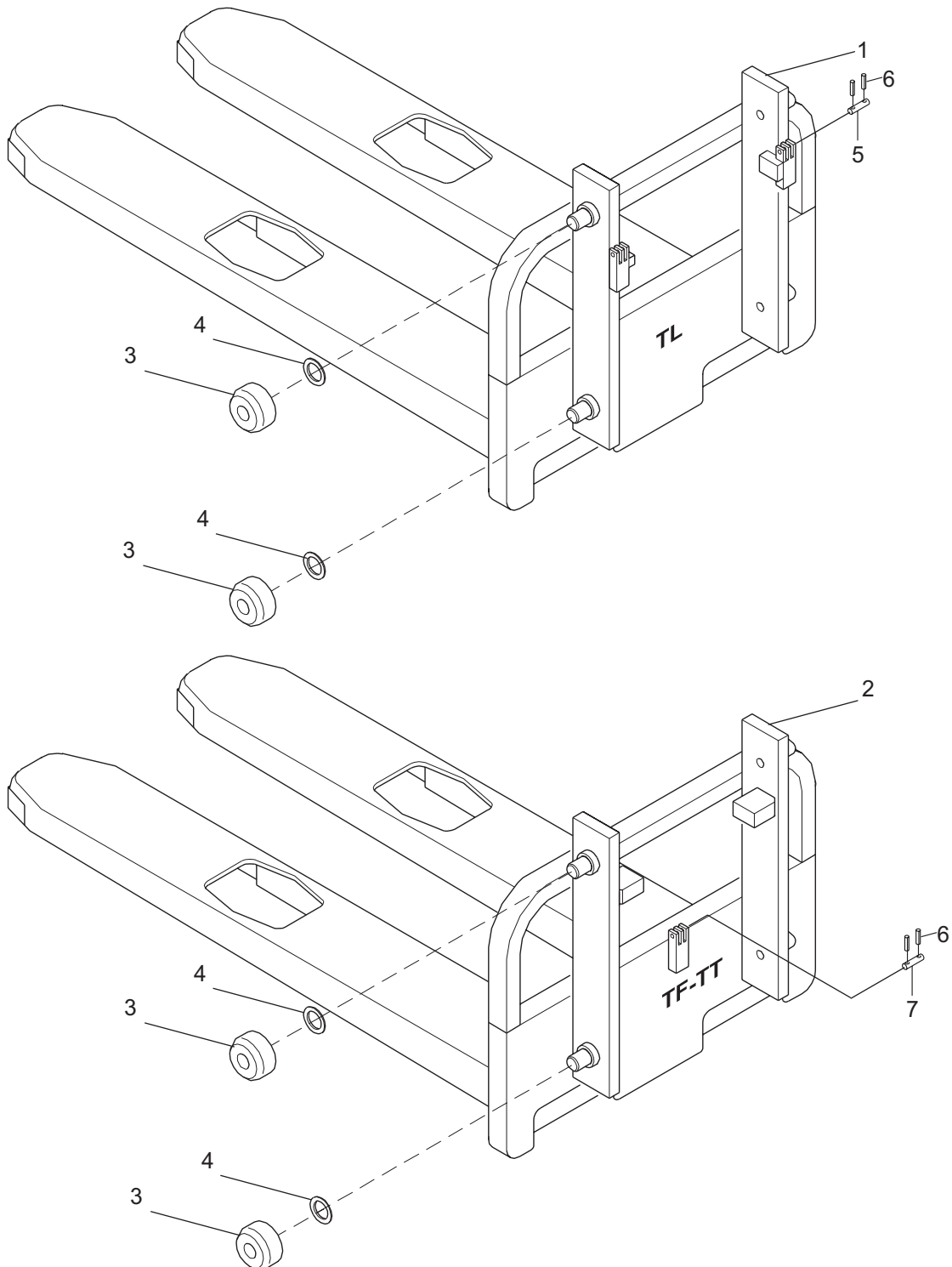
Position 1	Position 2	Position 17	Safety Screen	Collapsed Height
803436-004-01	807108-001	051059-006	813455-008	3000 mm
803436-004-02	807108-002	051059-007	813455-009	3300 mm
803436-004-03	807108-003	051059-008	813455-011	3600 mm
803436-004-04	807108-004	051059-009	813455-012	3900 mm
803436-004-05	807108-005	051059-010	813455-013	4300 mm

Tab008gb



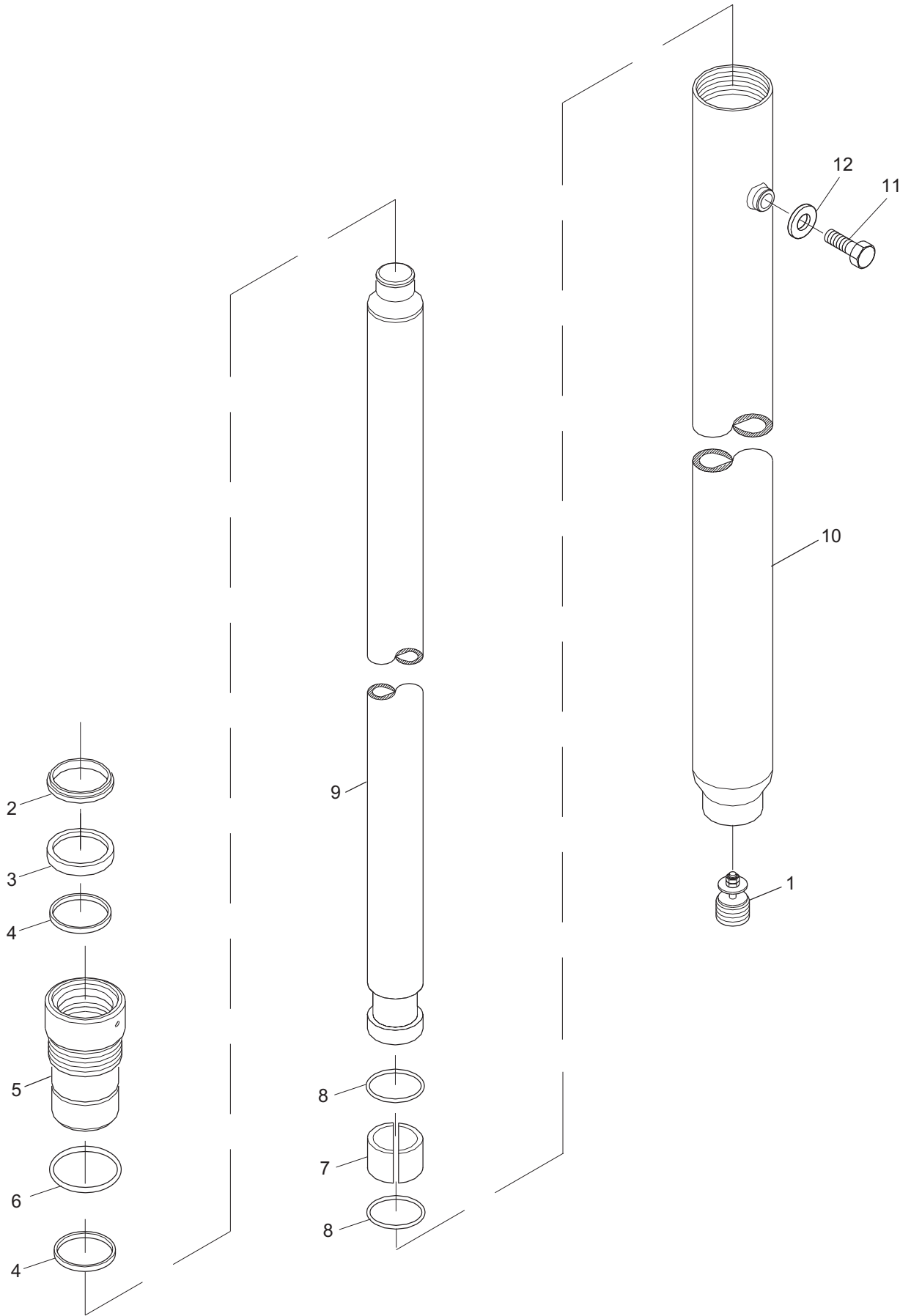
M0638

WE 1,6t



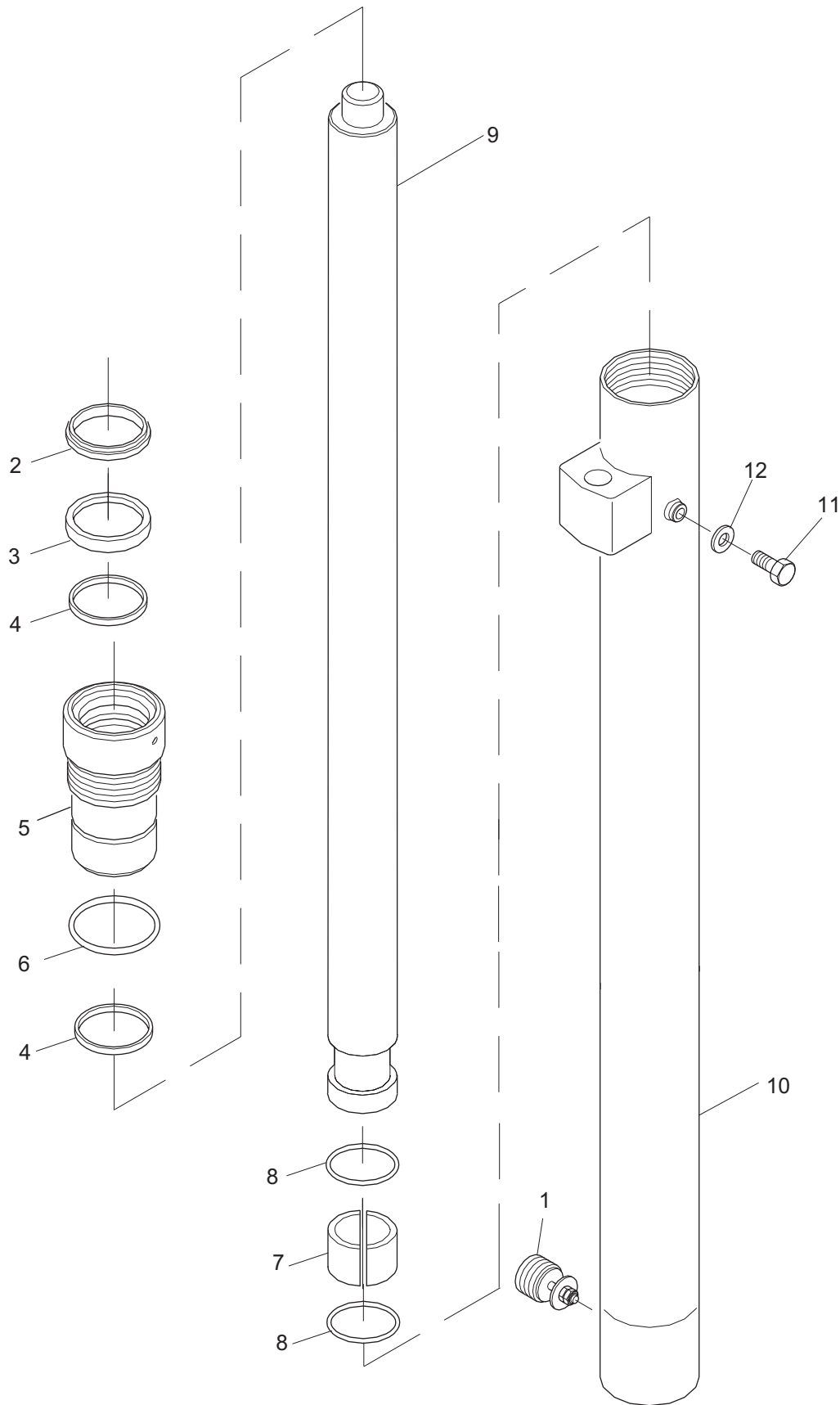
M2027

TL Mast 1,25t/1,35t



M1145

TF/TT Mast 1,6t/1,8t



M1147

CLICK HERE TO **DOWNLOAD** THE COMPLETE MANUAL

- Thank you very much for reading the preview of the manual.
- You can download the complete manual from: www.heydownloads.com by clicking the link below



- Please note: If there is no response to CLICKING the link, please download this PDF first and then click on it.

CLICK HERE TO **DOWNLOAD** THE COMPLETE MANUAL