

WP 2000



CLICK HERE TO **DOWNLOAD** THE COMPLETE MANUAL

- Thank you very much for reading the preview of the manual.
- You can download the complete manual from: www.heydownloads.com by clicking the link below



- Please note: If there is no response to CLICKING the link, please download this PDF first and then click on it.

CLICK HERE TO **DOWNLOAD** THE COMPLETE MANUAL

INDEX	PART NUMBER	PART NAME	NUMBER REQ	
	0	805770-001	HYDRAULIC UNIT 2.0	1
[1]	1	805158	MOTOR	1
[2]	2	805141	SCREW & WASHER	4
	3		Washer	4
[3]	4	805143	END HEAD/BRUSH MECH.	1
[4]		805142	END HEAD	1
	5		Plug	1
	6		Circlip	1
	7		Insulating Cap	1
	8		Brush Plate	1
[5]	9	128091	BRUSH SET PUMP MOTOR KIT	1
	10		Nut	4
	11		Armature	1
	12		Housing	1
	13		End Head	1
[6]	14	805144	COUPLING	1
	15	805145	PUMP SUPPORT	1
	16	805155	PUMP	1
	17	805146	RELIEF VALVE	1
	18	805147	PLUG	1
	19	805148	PLUG	1
	20	805149	VALVE	1
	21	805150	FLOW RESTRICTOR	1
	22	805151	FILTER	1
	23	805152	CHECK VALVE	1
	24	805153	PIPE	1
	25	805154	RETURN LINE	1
	26	805156	PIPE SUCTION	1
	27	805157	FILLER TANK	1
	28	805762	PLATE	1
	29	050006-051	SCREW	2

PART NOTES:

- [1] - Includes 2-13
- [2] - Includes Index 3
- [3] - Includes Index 5 - 10
- [4] - Includes Index 5 & 6
- [5] - Includes 4 Brushes and 4 Springs
- [6] - Coupler, 805144, is not included with motor 805158

Knuckle

INDEX	PART NUMBER	PART NAME	NUMBER REQ	
	1	054011-006	FITTING GREASE	1
	2	803013	SPRING	3
	3	803353	SPACER	1
[1]	4	805760	AXLE	1
	5	050000-015	PIN ROLL	1
	6	045215	KNUCKLE	1
[2]	7	805859	SWITCH	1
		803310	ACTUATOR	2
	8	050004-032	SCREW	4
	9	050005-037	SOCKET HEAD SCREW	4
	10	805738	DAMPER SHEET	1
	11	050003-010	SCREW COUNTERSUNK	2
	12	050005-032	SCREW	6
	13	045234	CABLE PROTECTION	1
[3]	14	045317	RING NILOS	2
	15	045319	BEARING	2
	16	045318	BEARING OUTER RACE	2
	17	045222	FLANGE	1
	18	050052-004	DOWEL PIN	2

PART NOTES:

- [1] - Shaft
- [2] - (BRS ORS)
this switch includes wires which plug into PC406 - dsg 2/27/03
- [3] - Seal Metallic

	INDEX	PART NUMBER	PART NAME	NUMBER REQ
[1]	1	045239-001-03	HANDLE BATTERY DISCONNECT	1
	2	050005-012	SCREW	2
	3	050068-002	NUT M6 FLANGE	2
	4	078723-002	CONNECTOR HOUSING GR	2
		078723-007	CONNECTOR HOUSING RED SB175	2
		078724-002	CONTACT CONNECTOR	4
[2]	5	045239-002	BATTERY DISCONNECT HANDLE	1
	6	060058-002	STUD THREADED M8	2
	7	050008-015	NUT HEX	2
	8	815143	BLOCK	1
	9	050003-029	SCREW COUNTERSUNK	2

PART NOTES:

- [1] - Handle Upper
- [2] - Handle Lower

Battery Pack - Maintenance Free

ELECTRICAL PARTS
Maintenance Free Batteries

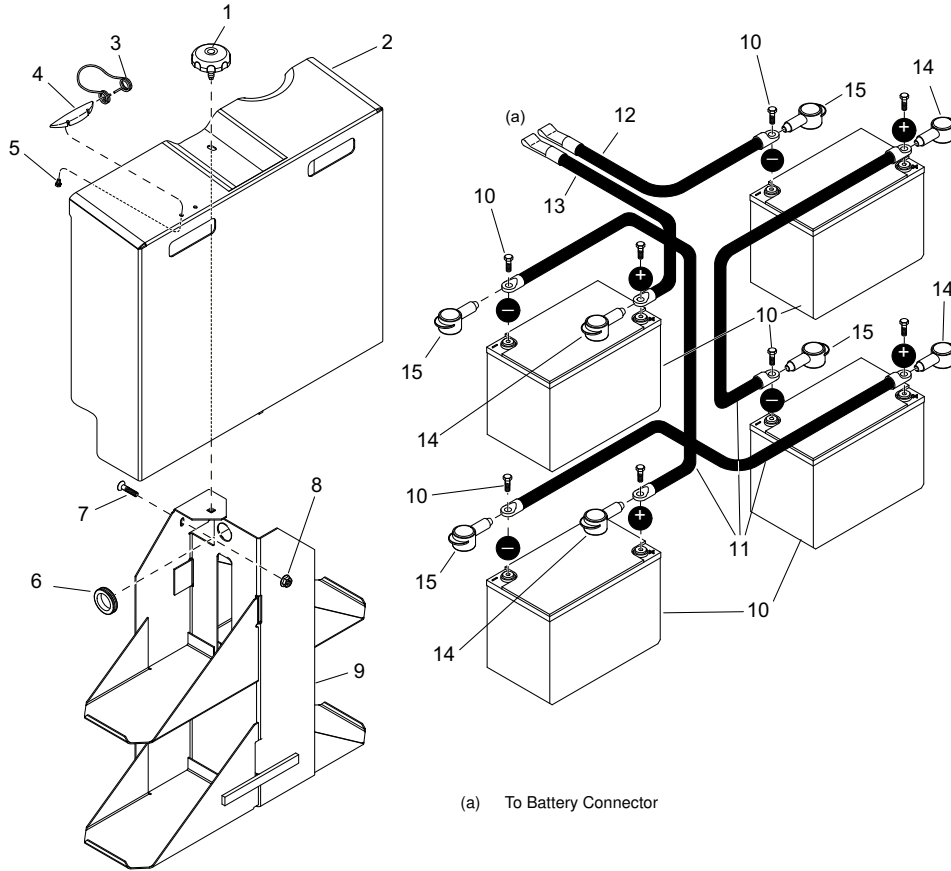


Fig. 1 (19867-01)

04.8-2720-201
04 Rev. 11/12
28

Crown 2003 PF13684-1 Rev. 11/12

INDEX	PART NUMBER	PART NAME	NUMBER REQ
[1]	805936-001	48" LOAD BACKREST	1
[2]	805936-002	60" LOAD BACKREST	1
[3]	805936-003	72" LOAD BACKREST	1
[4] 1	045558	LOADBACKREST WELD 48"	1
[5]	045559	LOADBACKREST WELD 60"	1
[6]	811670	LOADBACKREST WELD 72"	1
2	050014-002	PIN CLEVIS	2
3	050026-001	PIN COTTER	2
4	050014-003	PIN CLEVIS	2
5	050000-012	PIN ROLL	2
6	045758	BLOCK PIVOT	2
7	050003-043	SCREW	4

PART NOTES:

- [1] - Kits Include All Indexes 1215 mm (48 in.)
- [2] - Kits Include All Indexes 1520 mm (60 in.)
- [3] - Kits Include All Indexes 1830 mm (72 in.)
- [4] - 1215 mm (48 in.)
- [5] - 1520 mm (60 in.)
- [6] - 1830 mm (72 in.)

CLICK HERE TO **DOWNLOAD** THE COMPLETE MANUAL

- Thank you very much for reading the preview of the manual.
- You can download the complete manual from: www.heydownloads.com by clicking the link below



- Please note: If there is no response to CLICKING the link, please download this PDF first and then click on it.

CLICK HERE TO **DOWNLOAD** THE COMPLETE MANUAL