

TR 4500 Series



CLICK HERE TO **DOWNLOAD** THE COMPLETE MANUAL

- Thank you very much for reading the preview of the manual.
- You can download the complete manual from: www.heydownloads.com by clicking the link below



- Please note: If there is no response to CLICKING the link, please download this PDF first and then click on it.

CLICK HERE TO **DOWNLOAD** THE COMPLETE MANUAL

Power Unit

POWER UNIT PARTS Power Unit

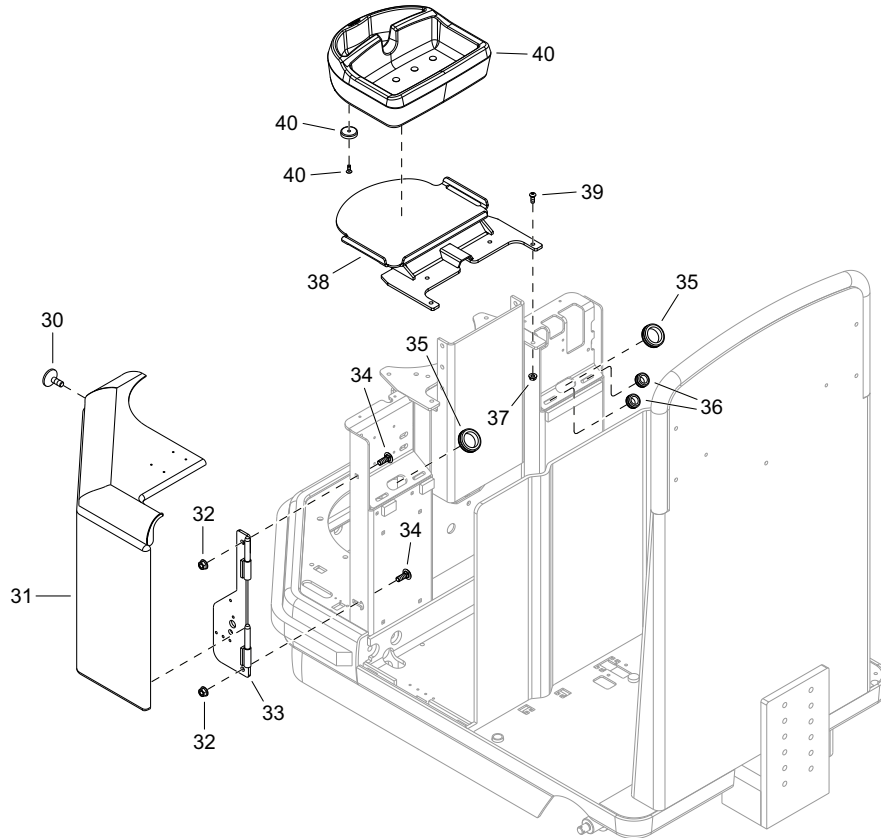


Figure 29656

01.0-9245-007

Crown 2015 PF27125-3

238

Quick Adjustment Caster

POWER UNIT PARTS
Quick Adjustment Caster

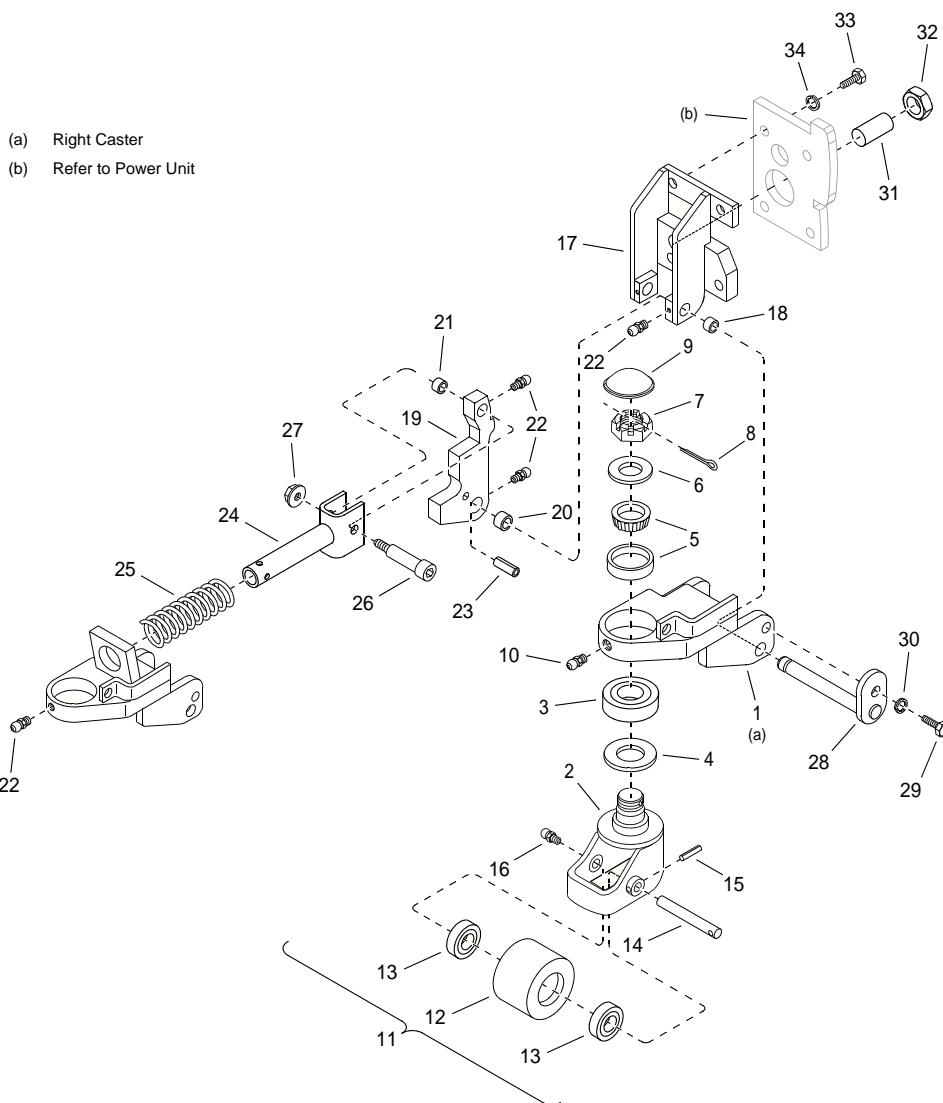


Figure 26560

01.5-9245-001

Crown 2012 PF25612-1

Drive Unit - Electrical Power Steering

DRIVE UNIT PARTS
Drive Unit - Electronic Power Steering

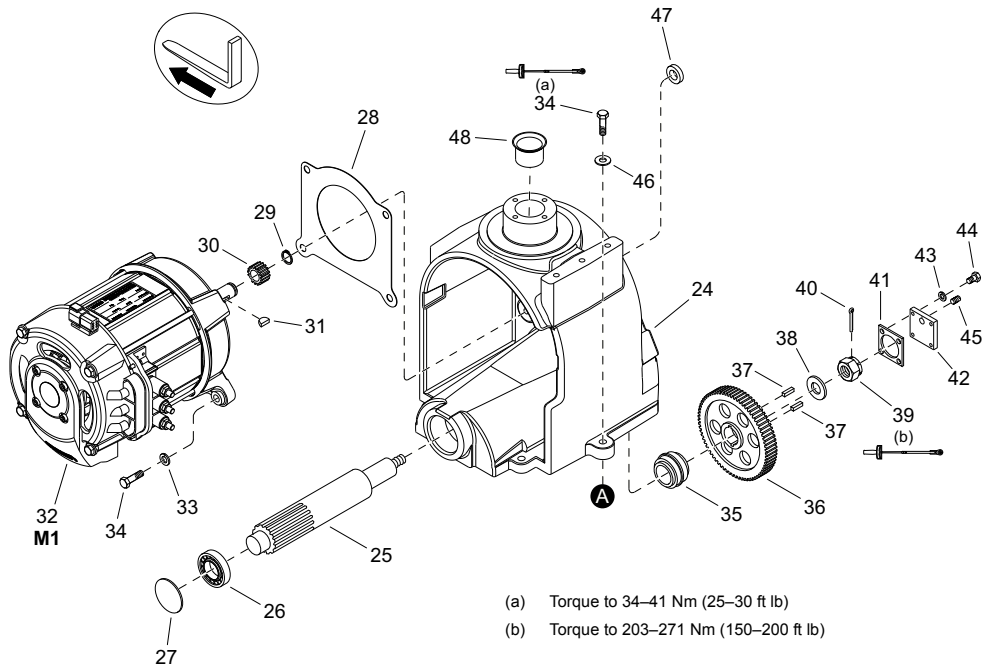


Figure 24450-01

03.0-6645-058

Crown 2015 PF25863-3

604

Traction Motor

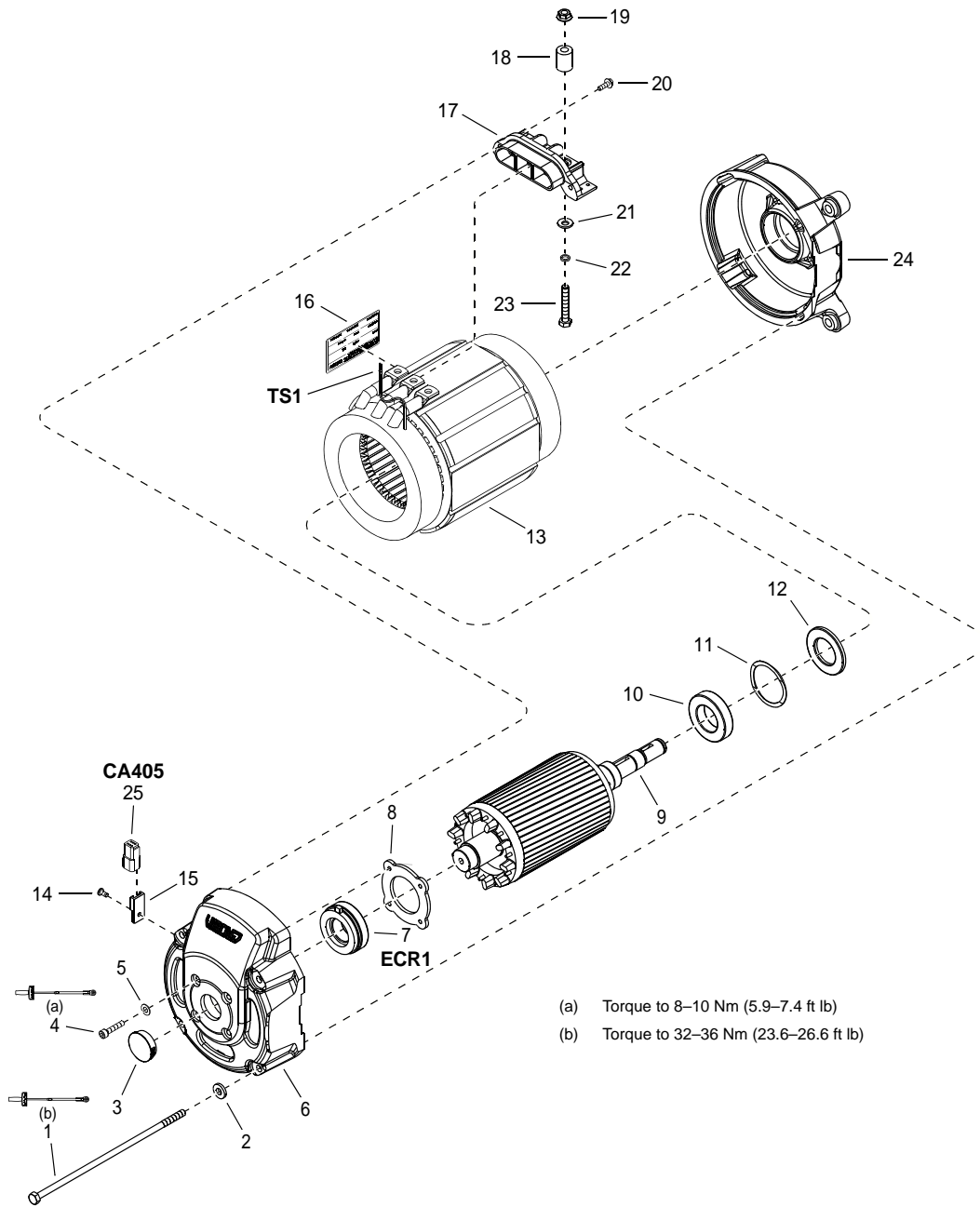


Figure 13910-03

Traction Tire

INDEX	PART NUMBER	PART NAME	NUMBER REQ
	133362	TUBE WELDMENT	1

Electrical Components - Electronic Power Steering

INDEX	PART NUMBER	PART NAME	NUMBER REQ
35	060063-084	SCREW M8	3
36	060102-004	U-NUT	3
37	144234	BRACKET CONTROLLER WLDT	1
38	060059-003	NUT METRIC	4
39	060030-196	FLATWASHER	6
40	060014-015	SCREW #10	2
41	148501	POWERFUSE HOLDER	1
42	144232	MODULE STEER CONTROL	1
43	060030-274	FLATWASHER	4
44	060015-004	SCREW 1/4"	4
45	060030-132	FLATWASHER	5
46	060005-007	LOCKWASHER	5
47	060062-003	SCREW M6	5
48	132083-001	FUSE 80 VDC ANN/CNN50	1
	079566-003	LABEL VINYL MARKING	1
49	153342-002	FUSE BLOCK	1
50	060012-076	SCREW #6	2
51	094362-002	FUSE 15A	1
	079566-001	LABEL VINYL MARKING	1
52	094362-001	FUSE 4A	1
	079566-002	LABEL VINYL MARKING	1
53	060015-012	SCREW 1/4"	2
54	131042	BRACKET	1
55	115565	ALARM BACK-UP	1
56	060015-006	SCREW 1/4"	2
57	060005-007	LOCKWASHER	2
58	060021-006	NUT	2
59	131111	ASM DIODE BLOCK	1
	113511	DIODE BLOCK	1
	085658-472	LEAD ASM RED/WHT STRIPE	1
	062007-022	TERMINAL .25 TAB #8 STUD MOUNT	5
	085658-473	LEAD ASM RED/WHITE STRIPE	1
60	060013-003	SCREW #8	2
61	060005-004	LOCKWASHER	2
62	060021-004	NUT	2
63	139362	COVER FRONT LH	1
64	062337-008	RELAY DPDT 15A 24V SIDE MOUNT	1
65	060012-076	SCREW #6	2
66	060021-003	NUT	2

CLICK HERE TO **DOWNLOAD** THE COMPLETE MANUAL

- Thank you very much for reading the preview of the manual.
- You can download the complete manual from: www.heydownloads.com by clicking the link below



- Please note: If there is no response to CLICKING the link, please download this PDF first and then click on it.

CLICK HERE TO **DOWNLOAD** THE COMPLETE MANUAL

Electrical Components - Electronic Power Steering (EE)

INDEX	PART NUMBER	PART NAME	NUMBER REQ
1	151652-003	CONTROLLER INMOTION ASM TR	1
2	060063-080	SCREW M8	4
3	060059-028	NUT M8 HEX FLANGE	4
4	143962-005	FUSE POWER EE 48 VDC 400A	1
	079188-037	Label	1
	079566-008	LABEL VINYL MARKING	1
5	060030-017	FLATWASHER	6
6	060005-008	LOCKWASHER	6
7	060063-011	SCREW M8	3
8	060063-004	SCREW M8	3
9	137309	BRACKET CONTACTOR	1
10	060015-107	SCREW .250	2
11	060080-006	HEX FLANGE NUT	2
12	118280-001	CONTACTOR TYPE EE	1
13	134264	ASM PTC THERMISTOR	1
14	060061-007	SCREW M5	2
15	060063-084	SCREW M8	2
16	147631-001	HORN	1
17	060012-080	SCREW #6	2
18	060102-004	U-NUT	2
19	142780	BRACKET MOUNTING	1
20	131243	ASM ALARM PE4000	1
21	060021-003	NUT	2
22	133619	INSULATOR EE	1
1000	102126-005	STRAP GROUNDING	1
	060016-012	SCREW 5/16"	1
	060030-017	FLATWASHER	1
	060005-008	LOCKWASHER	1
	060021-009	NUT	1

Contactor - EE

INDEX	PART NUMBER	PART NAME	NUMBER REQ
0	118280-001	CONTACTOR TYPE EE	AR
	118280-002	CONTACTOR "EE"	AR
	118280-003	CONTACTOR TYPE EE	AR
	118280-004	CONTACTOR TYPE EE	AR

Tee Handle

INDEX	PART NUMBER	PART NAME	NUMBER REQ
45	089362-00S	SWITCH	3
	089362	SWITCH	1
	060064-003	SCREW	2
	060005-036	LOCKWASHER	2
46	089342	SPACER	2
47	090787	LEVER ASM	2
48	060005-049	LOCKWASHER	6
49	060021-023	NUT #4	6
50	089336	BRACKET SWITCH	1
51	060014-006	SCREW #10	3
	061004-026	ADHESIVE THREAD LOCKING	AR
52	060005-005	LOCKWASHER	3
53	089298-001	ROD	1
54	060011-021	SCREW #4	6
	061004-026	ADHESIVE THREAD LOCKING	AR
55	060031-020	NUT SPEED	1
56	093603	SWITCH INSULATOR	1
57	088753-002	COVER	1
58	117267-003	BUTTON	1
59	073384	SPRING COMPRESSION	2
60	060005-004	LOCKWASHER	2
61	060013-058	Screw	2
62	060012-038	SCREW #6	4
63	117268	SWITCH 3RD SPEED	1
64	060005-003	LOCKWASHER	2
65	060012-076	SCREW #6	2

Standard Handle - Freezer/Condition

INDEX	PART NUMBER	PART NAME	NUMBER REQ
1	089341	YOKE MACHINING	1
2	115676	EXTENSION ASM	2
3	060000-108	PIN ROLL	4
4	126940	HAND GRIP ASM	2
5	114003	INSULATOR	1
6	087144-001	COVER	1
7	060032-037	SCREW SELF-TAPPING	2
8	093904-002	BUTTON-CAP	1
9	089324-002	BUTTON-BODY	1
10	088975	SWITCH BELLOW	1
11	093068	RETAINER	1
12	060032-035	SCREW SELF-TAPPING	4
13	060032-032	SCREW SELF-TAPPING	1
14	092224	BUSHING SPLIT	2
15	060030-163	FLATWASHER	2
16	089510	BUSHING MOLD	2
17	089521	BAR	1
18	089317	POD MACHINING	1
19	060012-023	SCREW #6	2
	061004-010	ADHESIVE THREAD LOCKING	AR
20	060021-032	NUT	3
21	060005-009	LOCKWASHER	3
22	060017-064	SCREW 3/8"	3
23	089509	STOP	1
24	088611-002	COLLAR	2
25	131105	SPRING TORSION	1
26	089514	PLATE	1
27	089548	SPACER	1
28	089356	CAM	1
29	060030-190	FLATWASHER	1
30	133457	ASM POTENIOMETER ACCELERATOR	1
31	089532	BRACKET	1
32	060014-076	SCREW #10	3
33	060005-005	LOCKWASHER	4
34	060014-088	SCREW #10	1
35	060021-005	NUT	2

Connectors

INDEX	PART NUMBER	PART NAME	NUMBER REQ
1	062701-001	CONNECTOR PLUG DEUTSCH DT	AR
	062701-002	CONNECTOR PLUG DEUTSCH DT 3PIN	AR
	062701-003	CONNECTOR PLUG DEUTSCH DT 4PIN	AR
	062701-004	CONNECTOR PLUG DEUTSCH DT 6PIN	AR
	062701-006	CONNECTOR PLUG DEUTSCH DT 12PI	AR
	062755-002	CONNECTOR PLUG DEUTSCH DTM 03	AR
	062755-004	CONNECTOR PLUG DEUTSCH DTM 06	AR
	062755-007	CONNECTOR PLUG DEUTSCH DTM 08B	AR
2	062702-003	CONNECTOR CAP DEUTSCH DT 4 PIN	AR
	062702-004	CONNECTOR CAP DEUTSCH DT 6 PIN	AR
	062702-006	CONNECTOR CAP DEUTSCH DT 12 PI	AR
	062756-002	CONNECTOR CAP DEUTSCH DTM 03	AR
	062756-004	CONNECTOR CAP DEUTSCH DTM 06	AR
	062756-007	CONNECTOR CAP DEUTSCH DTM 08B	AR
3	062720-001	CONNECTOR PLUG AMPSEAL	AR
	116851-006	CONNECTOR PLUG MOLEX MINI FIT	AR
	062720-004	CONNECTOR PLUG AMPSEAL 14 PIN	AR
4	116851-005	CONNECTOR PLUG MOLEX MINI FIT	AR
5	803450-020	CONNECTOR	AR
	803450-021	HOUSING	AR
1000	130197-002	DEUTSCH 2 PIN CONNECTOR KIT	AR
	130197-003	DEUTSCH 3 PIN CONNECTOR KIT	AR
	130197-004	DEUTSCH 4 PIN CONNECTOR KIT	AR
	130197-006	DUTCH 6 PIN CONNECTOR KIT	AR
	130197-012	DEUTSCH 12 PIN CONNECTOR KIT	AR
	131237-003	DEUTSCH DTM 3PIN CONNECTOR KIT	AR
	131237-006	DEUTSCH DTM 6 PIN CONNECTOR KIT	AR
	131237-008	DEUTSCH DTM 8 PINCONNECTOR KIT	AR
1001	062704-001	CONTACT PIN DEUTSCH 16-18 SOLI	AR
	062704-002	CONTACT SOCKET DEUTSCH 16-18 S	AR
	062721-001	CONTACT SOCKET AMPSEAL STRIP	AR
	062797-001	CONTACT PIN DEUTSCH DTM NI 20-	AR
	062797-002	CONTACT SOCKET DEUTSCH DTM NI	AR
	116858	CONTACT SOCKET MOLEX MINI FIT	AR
1002	062703-002	CONNECTOR INSERT DEUTSCH 2P PL	AR
	062703-004	CONNECTOR INSERT DEUTSCH 3P PL	AR
	062703-005	CONNECTOR INSERT DEUTSCH 4P CA	AR
	062703-006	CONNECTOR INSERT DEUTSCH 4P PL	AR
	062703-007	CONNECTOR INSERT DEUTSCH 6P CA	AR
	062703-008	CONNECTOR INSERT DEUTSCH 6P PL	AR
	062703-011	CONNECTOR INSERT DEUTSCH 12 CA	AR
	062703-012	CONNECTOR INSERT DEUTSCH 12 PL	AR
	062798-002	CONNECTOR INSERT DEUTSCH DTM P	AR
	062798-003	CONNECTOR INSERT DEUTSCH DTM C	AR
	062798-007	CONNECTOR INSERT DEUTSCH DTM C	AR
	062798-008	CONNECTOR INSERT DEUTSCH DTM P	AR
	062798-009	CONNECTOR INSERT DEUTSCH DTM C	AR
062798-010	CONNECTOR INSERT DEUTSCH DTM P	AR	
1003	819279-004	MOLEX CONNECTING SEALING	AR

Brake System - Standard Handle

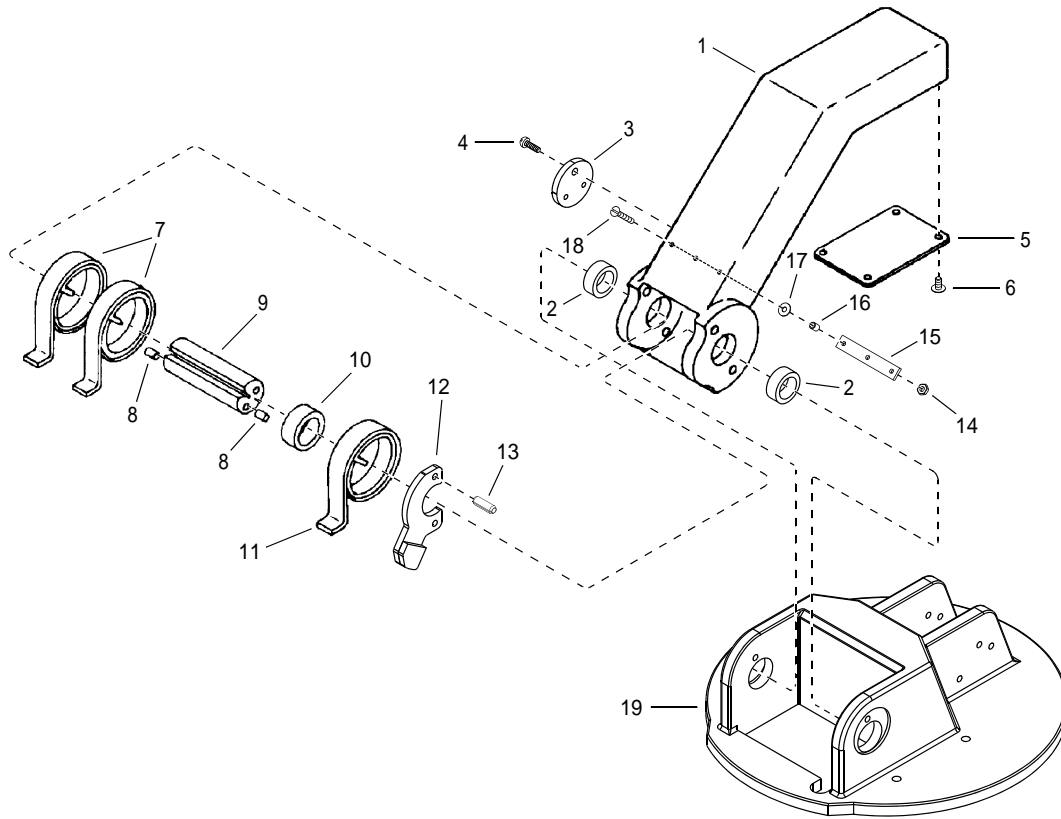


Figure 18624-01

Steer Column

STEERING PARTS
Steering Column

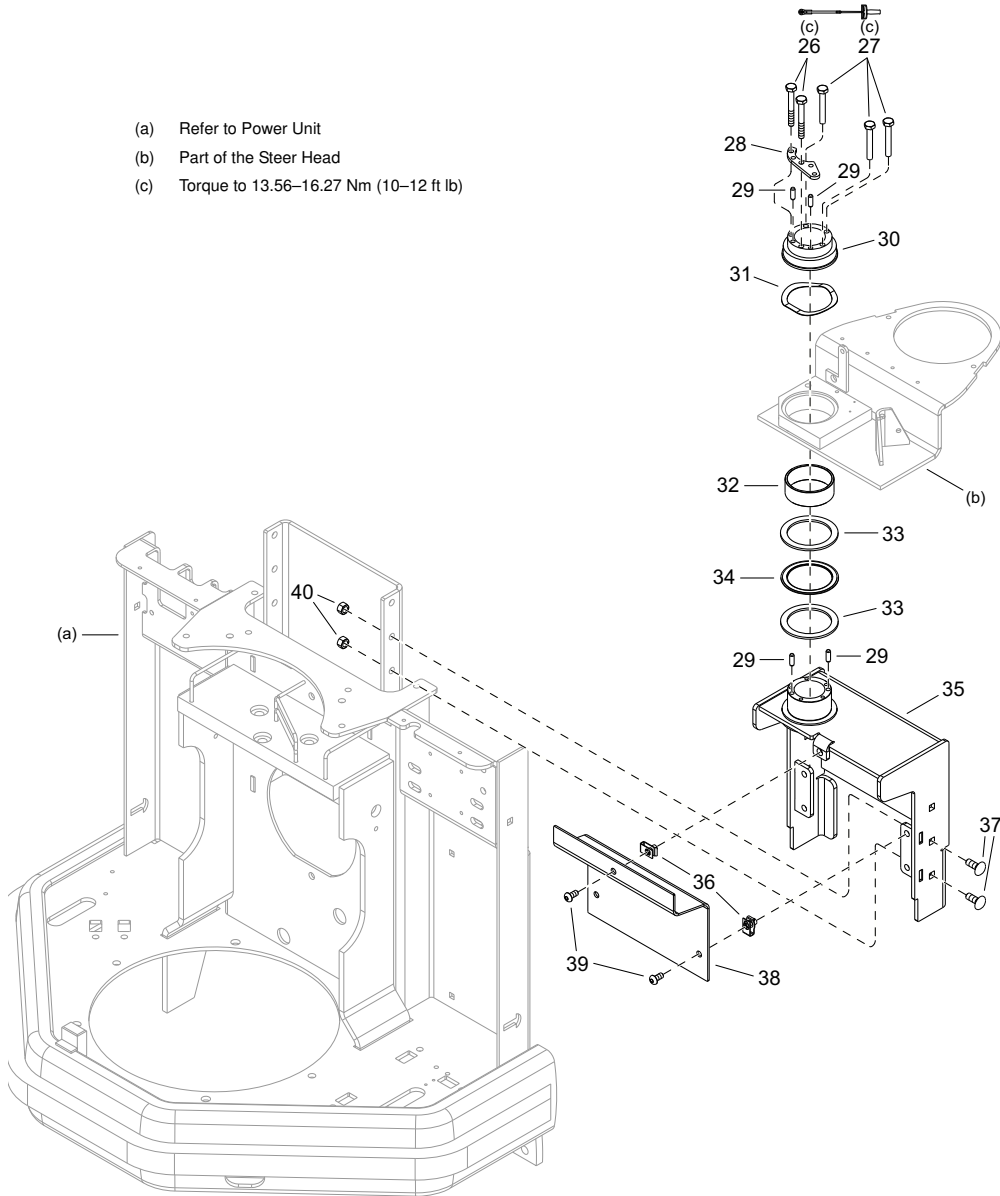


Figure 26286

06.0-9245-052
02 Rev. 5/13
344

Crown 2011 PF25567-3 Rev. 5/13

Steer Motor

STEERING PARTS Steer Motor

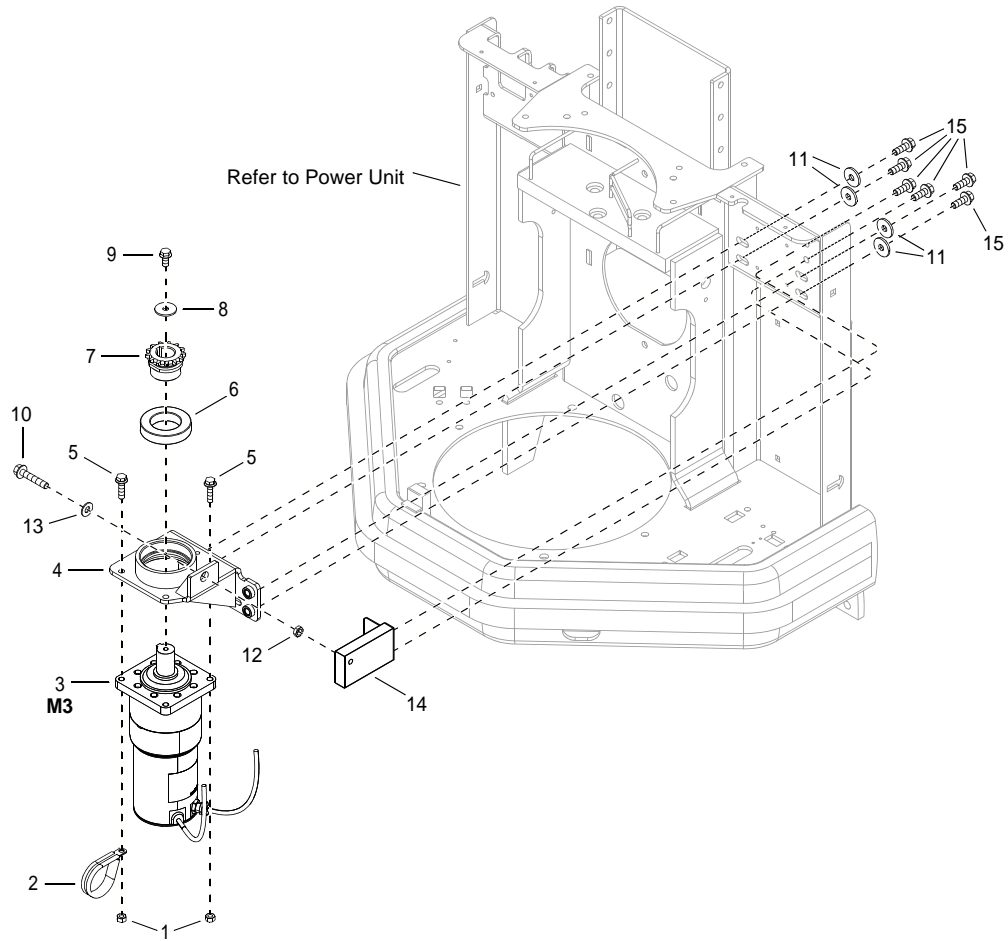


Figure 26410

CLICK HERE TO **DOWNLOAD** THE COMPLETE MANUAL

- Thank you very much for reading the preview of the manual.
- You can download the complete manual from: www.heydownloads.com by clicking the link below



- Please note: If there is no response to CLICKING the link, please download this PDF first and then click on it.

CLICK HERE TO **DOWNLOAD** THE COMPLETE MANUAL