

# SP 1500



CLICK HERE TO **DOWNLOAD** THE COMPLETE MANUAL

- Thank you very much for reading the preview of the manual.
- You can download the complete manual from: [www.heydownloads.com](http://www.heydownloads.com) by clicking the link below



- Please note: If there is no response to CLICKING the link, please download this PDF first and then click on it.

CLICK HERE TO **DOWNLOAD** THE COMPLETE MANUAL

INDEX	PART NUMBER	PART NAME	NUMBER REQ
1	060014-015	SCREW #10	2
28	141349	BRACKET IMPACT SENSOR	1
29	060042-016	NUT SELF LOCKING	2
2	060005-045	Arandela de Seguridad sin Quick Coast	2
3	060030-217	FLATWASHER	2
30	060065-023	SCREW M4	4
31	124960-012	SPACER M4	4
4	118898	STROBE LIGHT COVER	1
5	130724-001	COVER LIGHT ASSEMBLY BLACK	1
32	124960-011	SPACER	6
33	060063-005	SCREW M8	2
6	139626	WASHER RUBBER	1
7	060016-003	Tornillo	6
34	060030-201	FLATWASHER	2
35	060059-001	Tuerca	2
8	060005-008	Arandela de Seguridad	10
9	060030-017	Arandela Plana	9
36	102126-002	STRAP GROUNDING	1
37	060030-294	FLATWASHER	1
10	060016-018	SCREW, 5/16	4
11	167760-001	LH BATTERY GATE SWITCH ASM	1
38	060059-027	NUT M6 HEX FLANGE	6
39	140720	PLATE DISTRIBUTION MOUNT	1
-	167760-002	RH BATTERY GATE SWITCH ASM	1
-	167761-001	LH GATE BRACKET WELDMENT	1
40	157072	PANEL CONTROLLER	1
41	060005-009	Arandela de Seguridad	3
-	167761-002	RH GATE BRACKET WELDMENT	1
12	092143	PLATE FASTENING	2
42	060021-011	NUT	3
43	060005-007	Arandela de Seguridad	4
13	168552	SENSOR INSULATOR	2
14	066410-002	ZF SWITCH	2
44	060062-005	SCREW M6	4
45	161660-00S	ACCESS 4.1 SMALL MODULE KIT	1
15	060030-045	FLATWASHER	4
16	060005-003	Arandela de Seguridad	4
46	060015-049	SCREW 1/4"	4
47	-	BODY	1
17	060012-084	SCREW #6	4
-	061004-006	ADHESIVE THREAD LOCKING	AR
48	060015-054	SCREW 1/4"	2
49	161404	ADAPTOR PLATE	1
18	065236	LEVER SWITCH	2
19	060031-005	NUT SPEED	2
50	060015-100	SCREW 1/4"	2
51	118377	COVER	1
20	060005-006	Arandela de Seguridad	2
-		Lock washer, DIN battery connectors	4



Table 9: Operator Compartment Fan Harness, 159718						
Connector	Connector Part Number	Connector Example	Terminal Part Number	Terminal Quantity	Insert Part Number	Tool Index
PC141		Figure 35 	062007-050	1		<a href="#">2</a>
JC146	062702-002	Figure 36 	062704-015	3	062703-003	<a href="#">1</a>

Table 10: Access 7.1 Interface Harness, 159719						
Connector	Connector Part Number	Connector Example	Terminal Part Number	Terminal Quantity	Insert Part Number	Tool Index
JC443	062702-004	Figure 37 	062704-003	5	062703-007	<a href="#">1</a>
PC444	062755-003	Figure 38 	062797-004	4	062798-006	<a href="#">1</a>
JC702	062702-004	Figure 39 	062704-003	3	062703-007	<a href="#">1</a>
JC703	062702-005	Figure 40 	062704-003	5	062703-009	<a href="#">1</a>

Table 17: Main Harness, 164967						
Connector	Connector Part Number	Connector Example	Terminal Part Number	Terminal Quantity	Insert Part Number	Tool Index
PC226	062755-001	Figure 106 	062797-012	2	062798-002	<a href="#">1</a>
PC303 PC304		Figure 107 	062007-120	1		<a href="#">2</a>
PC305 PC306 PC307 PC308		Figure 108 	062007-092	1		<a href="#">2</a>
PC310	062720-001	Figure 109 	062721-001	15		<a href="#">3</a>
PC311	062755-003	Figure 110 	062797-012	4	062798-006	<a href="#">1</a>
PC312	062755-001	Figure 111 	062797-012	2	062798-002	<a href="#">1</a>
PC316	062701-002	Figure 112 	062704-008	2	062703-014	<a href="#">1</a>
PC410	066134-001	Figure 113 	066133-001	9		<a href="#">3</a>
			066133-002	14		

INDEX	PART NUMBER	PART NAME	NUMBER REQ
0	110613-002	CONTACTOR ALBRIGHT SW180-4	2
[1] 1	114434	Contacto Fijo	2
2	060059-001	Tuerca	4
3	060005-031	Arandela de Seguridad	4
4	060059-004	Tuerca	4
5		Spring washer	2
6	107351	Tornillo	4
7	114436	Cubierta	2
8	114437	Resorte de Retorno	2
9	114435	Contacto Móvil	2
10	123601	Buje	2
11	114438	COIL 24V	2
1000	120091	Kit de Punta de Contactor	2

## PART NOTES:

[1] - Includes Index1 - 5

INDEX	PART NUMBER	PART NAME	NUMBER REQ
1	060017-007	Tornillo	2
2	060005-009	Arandela de Seguridad	4
3	060021-011	NUT	4
4	166622	PLATE MANIFOLD WELDMENT	1
5	060063-101	SCREW M8 X 25 SERRATED FLANGE	5
6	060080-006	Tuercas para Equipos con Opciones Work Assist Solamente	4
7	159385-001	MODULE ACCESS 2.1/3.1/3.2 AC4820 FIN	1
8	157325	BRACKET FAN MOUNTING	1
9	060030-382	WASHER FLAT	7
10	060075-089	M10-1.5 X 120 HEX SOCKET HEAD	2
-	060075-128	HEX SOCKET HEAD CAP SCREW M10 X 100	2
11	157094	BRACKET MOUNTING WELDMENT	1
12	060015-103	SCREW.250	4
13	093786-001	MOUNT VIBRATION	2
14	060075-089	M10-1.5 X 120 HEX SOCKET HEAD	2
15	060059-029	NUT M10 HEX FLANGE	1
16	060017-010	SCREW 3/8"	2
17	060062-016	SCREW M6	2

INDEX	PART NUMBER	PART NAME	NUMBER REQ
0	166553	Manifold assembly	1
1	166554	BLOCK MANIFOLD AUX	1
2	137638-001	TRANSDUCER PRESSURE 4000 PSI 4	1
3	064370-004	ADAPTER ORB ST 90 DEGREE	1
4	064019-031	Junta O-Ring pequeña	1
5	064143-021	HOSE NIPPLE	1
6	064019-031	Junta O-Ring pequeña	1
7	123887	NIPPLE	1
8	064019-031	Junta O-Ring pequeña	1
9	064327-010	ELBOW LONG	1
10	064019-102	O-RING	1
11	064019-045	O-RING	1
12	117739	NEEDLE VALVE	1
-	111790-005	KIT SEAL	1
13	106845-002	DISC ORIFICE	1
14	149405-001	VALVE SOLENOID 2W2P NC BLKG	1
-	111790-030	KIT SEAL	1
15	064280-020	ADAPTER ORFS ORB 90 DEGREE	1
16	064019-045	O-RING	1
17	064019-102	O-RING	1
18	064279-010	ORFS ORB ADAPTER	1
19	064019-029	O-RING	1
20	064019-101	O-RING	1
21	149406-001	VALVE SOLENOID	1
-	111790-030	KIT SEAL	1

---

INDEX	PART NUMBER	PART NAME	NUMBER REQ
1	060015-061	SCREW 1/4"	Screw
2	060042-006	NUT SELF-LOCKING	Self-locking nut
3	79933	2	Rest button
4	060005-009	Arandela de Seguridad	Lock washer
5	060017-036	Tornillo	Screw

---

INDEX	PART NUMBER	PART NAME	NUMBER REQ
1	165320	YOKE WLDT/MACH	1
2	165323	SHAFT PULLEY	9
3	826861-002	CABLE PULLEY	28
4	117575-004	CHAIN PULLEY ASSEMBLY	1
5	060009-018	RING RETAINING	2
6	060030-057	FLATWASHER	2
7	123181-001	SHAFT CHAIN PULLEY U.S.	1
8	165324	YOKE PLATE	1
9	060061-080	SCREW M5	4
10	060062-081	SCREW M6	1

INDEX	PART NUMBER	PART NAME	NUMBER REQ
19	166726-030-01	WELDMENT FORK 30 IN STD	AR
	166726-030-02	WELDMENT FORK 30 IN EURO	AR
	166726-036-01	WELDMENT FORK 36 IN STD	AR
	166726-036-02	WELDMENT FORK 36 IN EURO	AR
	166726-039-01	WELDMENT FORK 39 IN STD	AR
	166726-039-02	WELDMENT FORK 39 IN EURO	AR
	166726-042-01	Fork	AR
	166726-042-02	Fork	AR
	166726-045-01	WELDMENT FORK 45 IN STD	AR
	166726-045-02	WELDMENT FORK 45 IN EURO	AR
	166726-048-01	WELDMENT FORK 48 IN STD	AR
	166726-048-02	WELDMENT FORK 48 IN EURO	AR
	166726-054-01	WELDMENT FORK 54 IN STD	AR
	166726-054-02	WELDMENT FORK 54 IN EURO	AR
	166726-060-01	WELDMENT FORK 60 IN STD	AR
	166726-060-02	WELDMENT FORK 60 IN EURO	AR
	166726-072-01	WELDMENT FORK 72 IN STD	AR
	166726-072-02	WELDMENT FORK 72 IN EURO	AR
	166726-084-01	WELDMENT FORK 84 IN STD	AR
	166726-084-02	WELDMENT FORK 84 IN EURO	AR

Rear Gates Mat			
Platform Width		Mat Type	Part Number Index 24
mm	in		
1,372	54	Rubber Diamond	167473-054-27-2
1,473	58	Rubber Ribbed	167472-058-27-2
1,473	58	Rubber Diamond	167473-058-27-2
1,524	60	Rubber Ribbed	167472-060-27-2
1,524	60	Rubber Diamond	167473-060-27-2
1,626	64	Rubber Ribbed	167472-064-27-2
1,626	64	Rubber Diamond	167473-064-27-2
1,727	68	Rubber Ribbed	167472-068-27-2
1,727	68	Rubber Diamond	167473-068-27-2
1,829	72	Rubber Ribbed	167472-072-27-2
1,829	72	Rubber Diamond	167473-072-27-2
1,930	76	Rubber Ribbed	167472-076-27-2
1,930	76	Rubber Diamond	167473-076-27-2
2,032	80	Rubber Ribbed	167472-080-27-2
2,032	80	Rubber Diamond	167473-080-27-2
2,134	84	Rubber Ribbed	167472-084-27-2
2,134	84	Rubber Diamond	167473-084-27-2

CLICK HERE TO **DOWNLOAD** THE COMPLETE MANUAL

- Thank you very much for reading the preview of the manual.
- You can download the complete manual from: [www.heydownloads.com](http://www.heydownloads.com) by clicking the link below

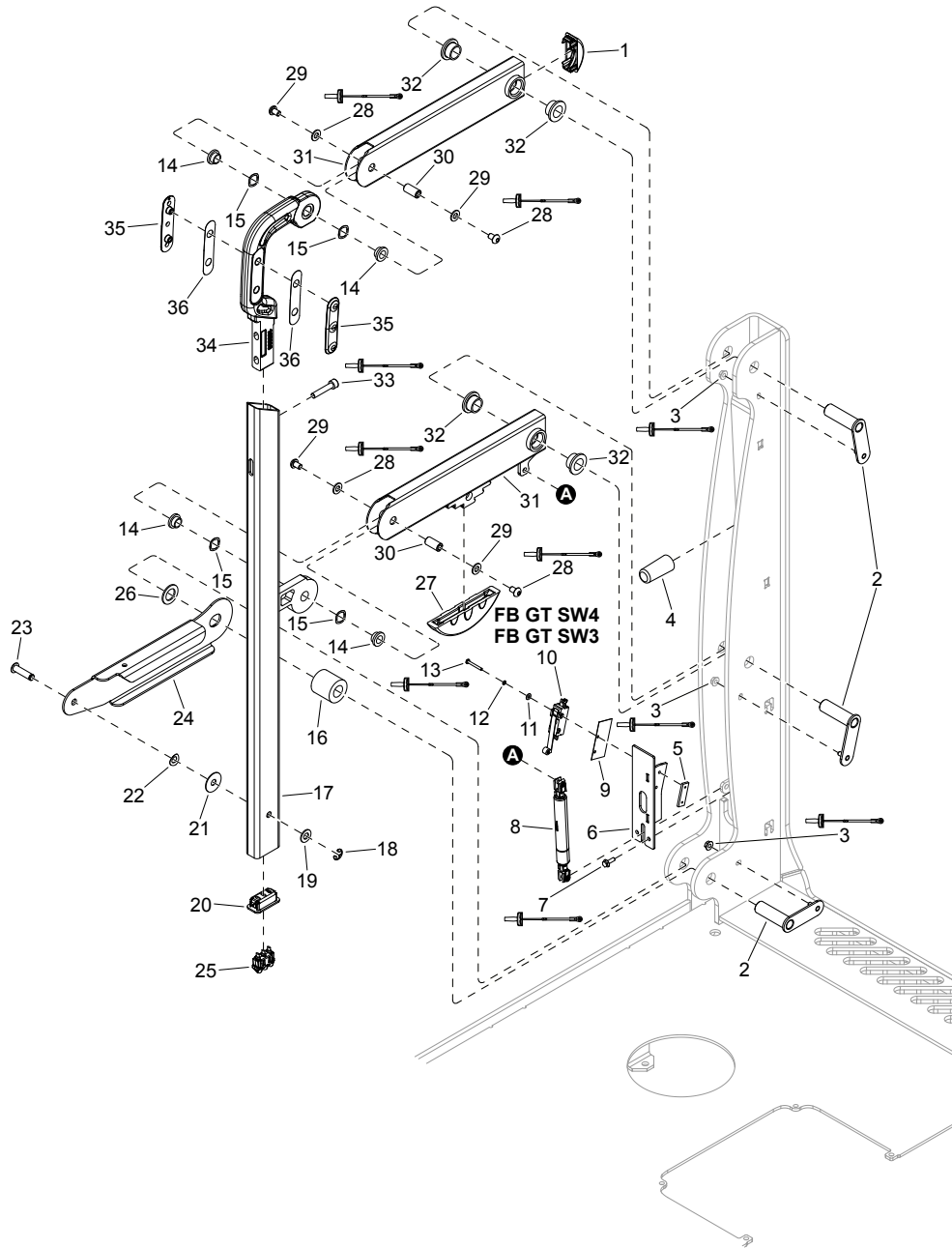


- Please note: If there is no response to CLICKING the link, please download this PDF first and then click on it.

CLICK HERE TO **DOWNLOAD** THE COMPLETE MANUAL

INDEX	PART NUMBER	PART NAME	NUMBER REQ
1	-	BODY	2
2	060063-050	SCREW M8 X 20 HEX FLANGE	16
22	065042-009	Bushing	8
3	167199-001	Shim, 1.5 mm (0.06 in)	AR
-	167199-002	Shim, 1.9 mm (0.07 in)	AR
-	167199-003	Shim, 2.3 mm (0.09 in)	AR
-	167199-004	Shim, 2.7 mm (0.1 in)	AR
4	129935-001	LANYARD SHOCK-ABSORBING	1
-	-	BODY	
-	-	BODY	
-	-	BODY	
-	153557	LANYARD RETRACTING MTL-OHS1-01/9FT	1
-	-	BODY	
-	-	BODY	
-	157270-002	LANYARD, RETRACTABLE	1
-	-	BODY	
-	-	BODY	
-	162936	LANYARD RETRACTABLE	
-	-	BODY	
-	-	BODY	
-	-	BODY	1
-	-	BODY	
-	-	BODY	
5	133236	PIN WELDMENT	4
-	133236-002	PIN WELDMENT	4
6	060061-013	Tornillo	4
7	060059-027	NUT M6 HEX FLANGE	4
8	060012-084	SCREW #6	4
9	060005-003	Arandela de Seguridad	4
10	060030-045	FLATWASHER	4
11	066410-001	ZF SWITCH W ROLLER ARM	2
12	166745	INSULATOR SWITCH	2
13	105376	BUMPER GATE	2
14	168884	Switch cover	2
15	065042-001	BUSHING FLANGED	8
16	92143	Fastening Plate	2
17	166675-350	Gas spring	2
18	166653-020-02-2	Gate Arm	2
19	060030-017	Arandela Plana	8
20	060063-030	SCREW M8	8
21	132130	BUMPER	2
23	166819	Wave washer	8
24	169524	GATE FOOT WELDMENT	2
25	166661-001	Gate leg	2
26	166665-001	1.00 IN SHAFT	2
27	060063-032	SCREW M8	4
28	166733	Grip	4
-	063009-007	3M ADHESION PROMOTER 111	AR
29	166734	Adhesive	4

Rear Gates



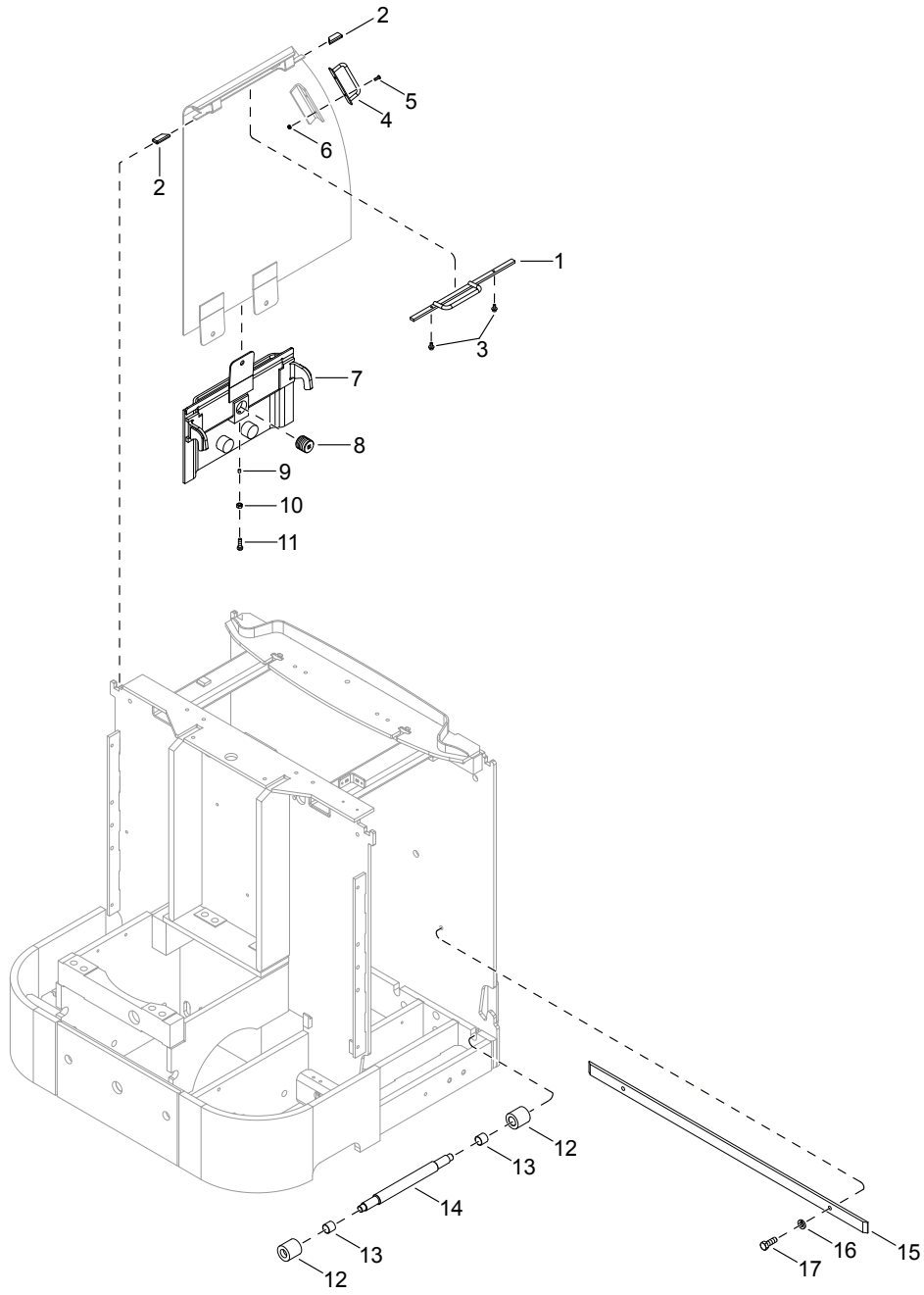
<b>INDEX</b>	<b>PART NUMBER</b>	<b>PART NAME</b>	<b>NUMBER REQ</b>
25	166950-048	FAN ACCESSORY 48V	1
26	169725-001	2	2

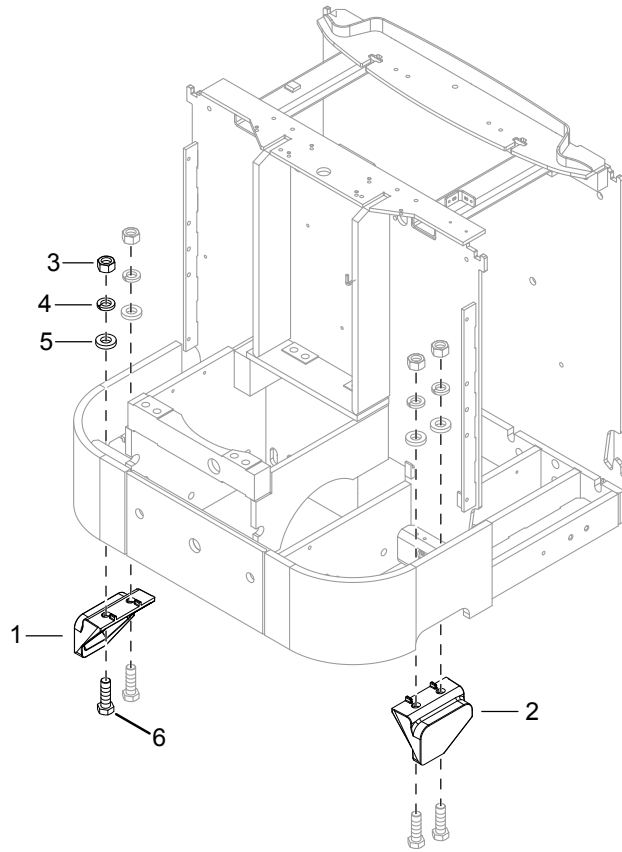
---

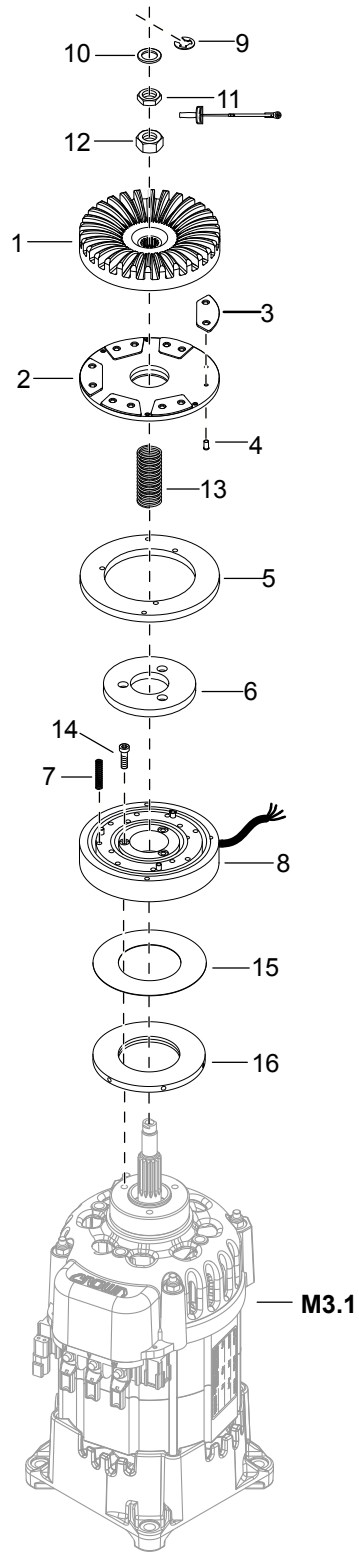
INDEX	PART NUMBER	PART NAME	NUMBER REQ
0	167384	AUX CYLINDER ASSEMBLY	1
1	064017-023	RING WIPER	1
2	150034	CAP CYLINDER	1
3	064074-010	RING BACKUP	1
4	064019-037	O-RING	1
5	064132-002	PACKING ROD	1
6	167419	AUX MAST RAM	1
7	060009-047	RING RETAINING	2
8	150898	BUSHING	1
9	91428	Compression spring	1
10	155035-001	PISTON SHUTOFF	1
11	060009-167	RING RETAINING	1
12	167416	AUX CYLINDER WELDMENT	1
13	74240	Sello	1
14	060015-078	SCREW 1/4"	1
15	064279-021	ORFS ORB ADAPTER	1
-	064019-101	O-RING	1
-	064019-030	Junta O-Ring grande	1
16	136611-001	VALVE FLOW CONTROL	1

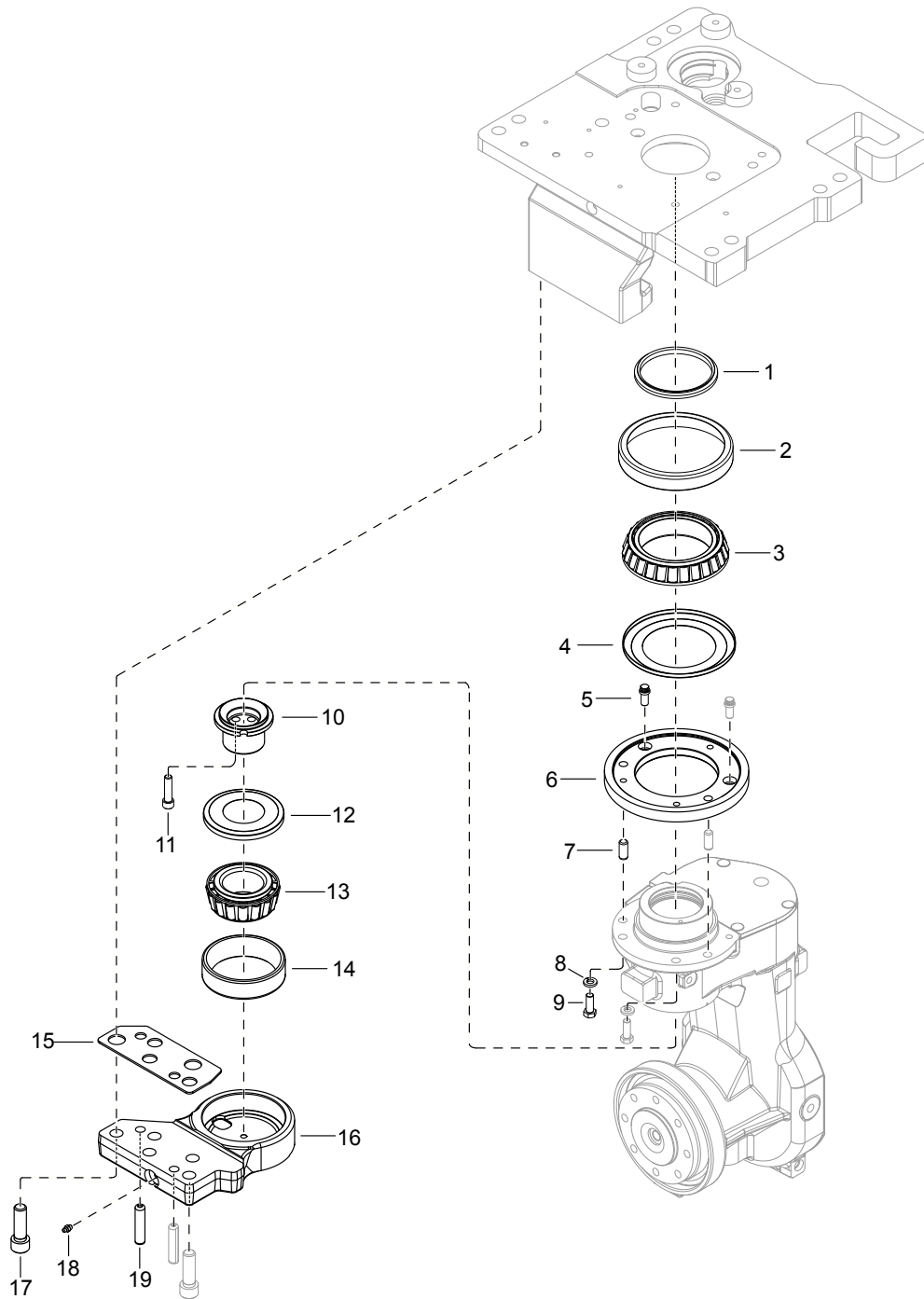
---

INDEX	PART NUMBER	PART NAME	NUMBER REQ
0	162515-002	HEIGHT SENSOR ASSEMBLY	1
1	162517	BASE MACHINING	1
2	162521	SPRING TORSION	1
-	063002-024	LUBRICANT	AR
3	060129-002	SCREW METRIC THREAD ROLLING	1
-	061004-026	Sellador Adhesivo para Roscas	AR
4	164791-002	SENSOR HALL EFFECT SPEED 0-20K	1
5	162520	FLANGE BUSHING	2
-	063002-024	LUBRICANT	AR
6	060059-081	NUT M10	1
7	162519	ARM MACHINING	1
8	060062-095	SCREW M6 X 16 TORX BUTTON FLAN	1
-	061004-026	Sellador Adhesivo para Roscas	AR
9	162537-001	WHEEL TARGET ASM	1
10	060075-122	SCREW M10 X 30 SPECIAL LOW HEAD	1
-	061004-026	Sellador Adhesivo para Roscas	AR
11	061003-004	TIE CABLE	1
12	060038-007	PIN, COTTER	1









INDEX	PART NUMBER	PART NAME	NUMBER REQ
0	021722	MOTOR AC TRACTION 36/48V TRUCK	1
-	021724	MOTOR AC TRACTION 24V TRUCK	1
1	060059-020	NUT METRIC	4
2	021361	BRAKE END HEAD MACHINING	1
3	065089-003	BEARING BALL DOUBLE ROW	1
4	060009-144	Aro de Retención	1
5	021718-005	WOUND STATOR ASSEMBLY	1
	021718-004	WOUND STATOR ASSEMBLY	1
6	060061-013	Tornillo	2
7	021150	TERMINAL BLOCK	1
8	021212-001	TERMINAL BOLT M8 X 20	3
9	060125-001	Disco de Resorte	3
10	060059-028	Tuerca de brida	3
11	062798-003	CONNECTOR INSERT DEUTSCH DTM C	1
12	062756-002	CONNECTOR CAP DEUTSCH DTM 03	1
13	021353	ROTOR ASM	1
14	050012-024	RING RETAINING	1
15	020962	FAN	1
16	021193	DRIVE END HEAD ASM	1
17	021079-002	TIE BOLT HEX HEAD M8 X 305	4
-	065003-271	Protector de Cable	1

---

INDEX	PART NUMBER	PART NAME	NUMBER REQ
1	076048-001	Acople de lubricación	2
2	105839	AXLE	2
3	060000-030	Pasador de Rodillo	2
4	060030-050	Arandela Plana	4
5	92538	Wheel assembly	2
-	081645-020	WHEEL 4.00x2.00x2.047x0.59	2
6	065081-021	Rodamiento	4
7	076048-001	Acople de lubricación	2
8	141759	AXLE	2
9	060030-030	FLATWASHER	2
10	0600030-104	Flat washer	4
11	82442	Wheel assembly	2
-	082443-020	WHEEL	2
12	73893	Seal	4
-	73894	Bearing	4

CLICK HERE TO **DOWNLOAD** THE COMPLETE MANUAL

- Thank you very much for reading the preview of the manual.
- You can download the complete manual from: [www.heydownloads.com](http://www.heydownloads.com) by clicking the link below



- Please note: If there is no response to CLICKING the link, please download this PDF first and then click on it.

CLICK HERE TO **DOWNLOAD** THE COMPLETE MANUAL