



CLICK HERE TO **DOWNLOAD** THE COMPLETE MANUAL

- Thank you very much for reading the preview of the manual.
- You can download the complete manual from: [www.heydownloads.com](http://www.heydownloads.com) by clicking the link below

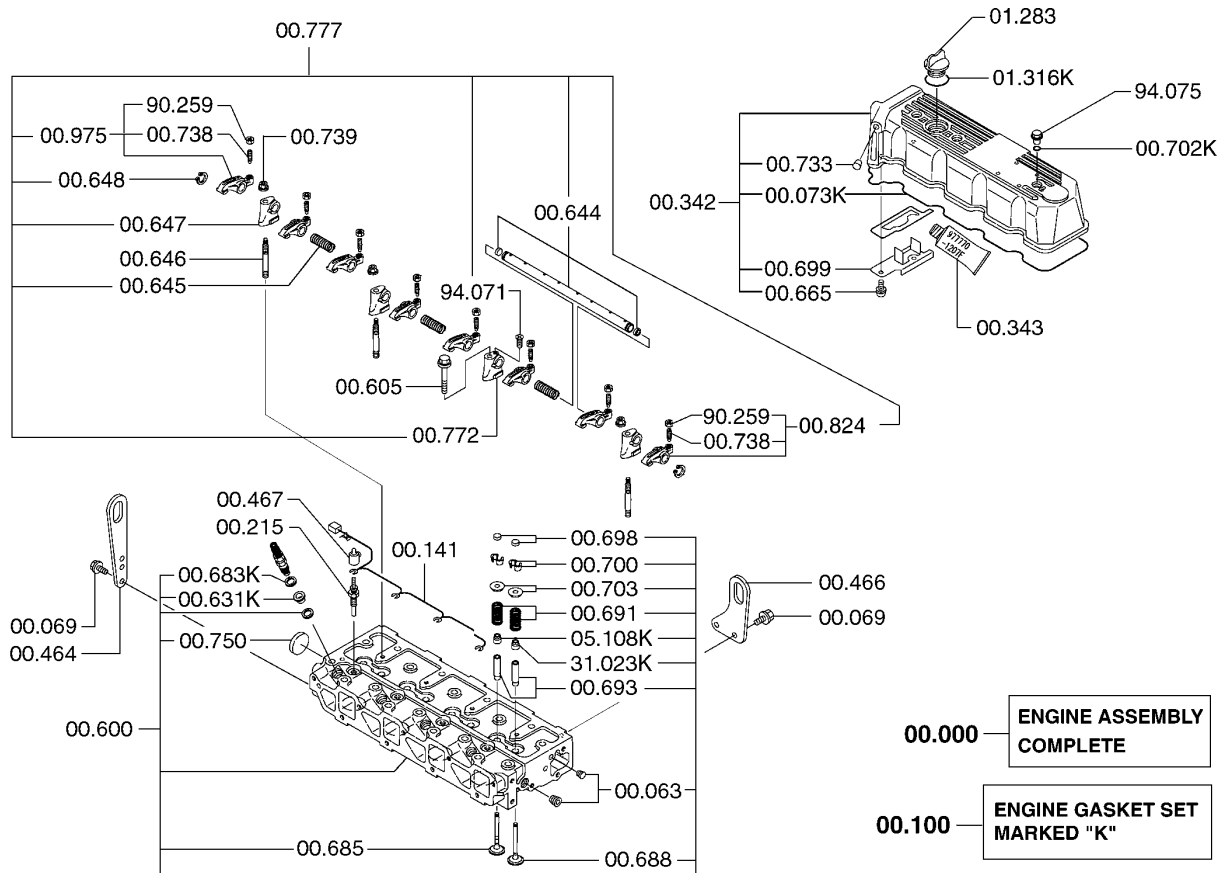


- Please note: If there is no response to CLICKING the link, please download this PDF first and then click on it.

CLICK HERE TO **DOWNLOAD** THE COMPLETE MANUAL

HYDRAULIC RETURN LINES .....	934
TILT CYLINDER .....	936
TILT CYLINDER MOUNTING .....	938
TILT AMOUNT GP .....	940
LOAD BACK REST MOUNTING .....	942
CARRIAGE ASSEMBLY .....	944
UPRIGHT MOUNTING .....	946
BACK MIRROR .....	948
HOOD MOUNTING .....	950
SHEET METAL & TRIM .....	952
FRAME & COUNTERWEIGHT .....	954
FRAME TANK BOTTOM PLUG .....	956
LEAD WIRW GROUND .....	958
FLOOR PLATE MOUNTING .....	960
SEAT MOUNTING .....	962
SEAT ASSEMBLY (SUSPENSION) .....	964
COWL MOUNTING .....	966
POD INSTALLATION .....	968
OVERHEAD GUARD MOUNTING .....	970
MODEL & SPECIFICATION DECALS .....	972
DECALS .....	974
STORAGE CONSOLE MOUNTING .....	976
SEAT WING KIT .....	978
HIGH TERMINATION FOR DEVICE HOSE ADAPTION .....	980
AUXILIARY VALVE LINES .....	982
QUICK DISCONNECT FOR DIVICE HOSE ADAPTATION .....	984
ATTACHMENT HOSE & CABLE SETTINGS (UPRIGHT) .....	986
ATTACHMENT HOSE ADAPTATION (UPRIGHT) .....	988
FORK .....	990
SECONDARY CYLINDER ASSEMBLY .....	992
TRIPLE STAGE UPRIGHT .....	994
PRIMARY CYLINDER ASSEMBLY .....	997
STANDARD SEAT .....	999
SEAT OPERATED BRAKE SWITCH .....	1001
LPG Pneumatic Lot 9867	
CRANKSHAFT / CAMSHAFT .....	1003
CYLINDER HEAD & COVER .....	1006
ENGINE MOUNTING .....	1008
OIL PUMP & PAN .....	1010
WATER PUMP MOUNTING AND THERMOSTAT .....	1012
COOLING SYSTEM .....	1014
COOLING SYSTEM .....	1016

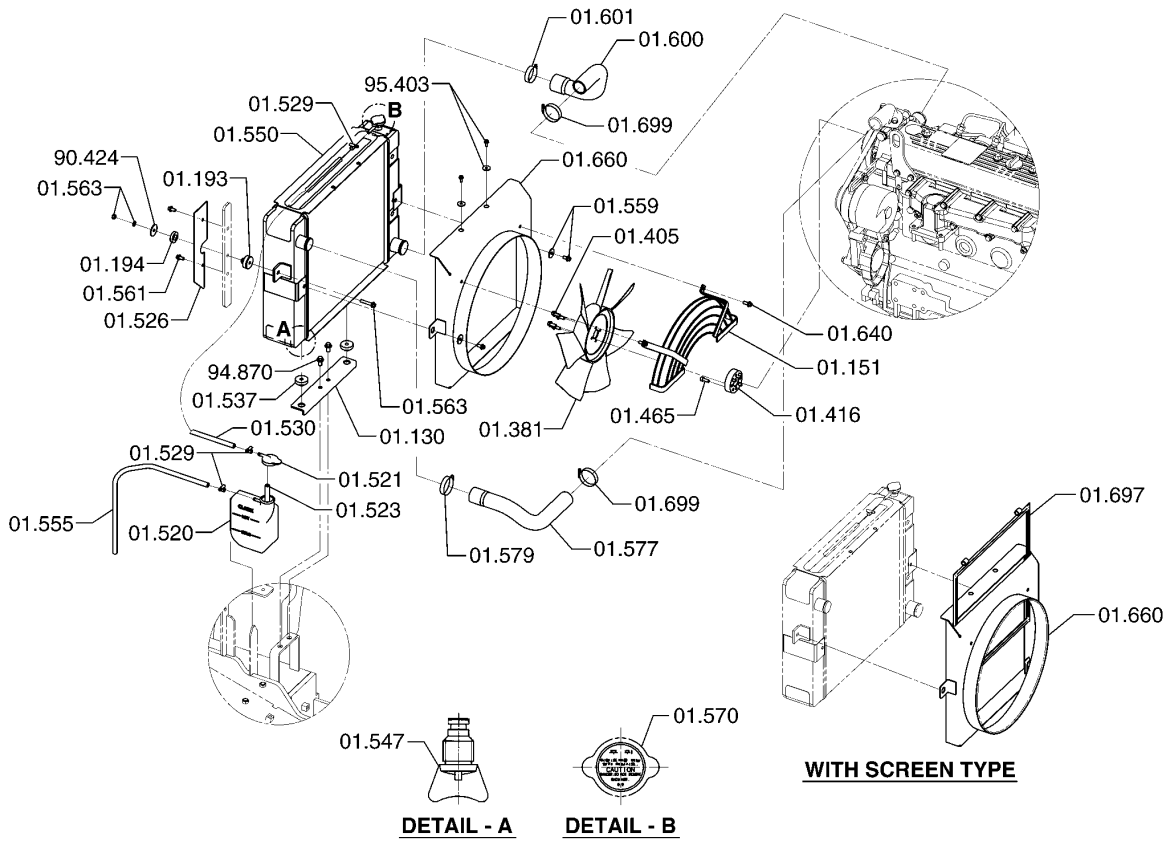
CYLINDER HEAD



CYLINDER HEAD

00-642

**COOLING SYSTEM**

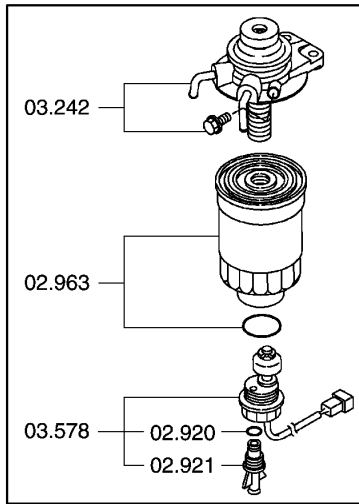


**COOLING SYSTEM**

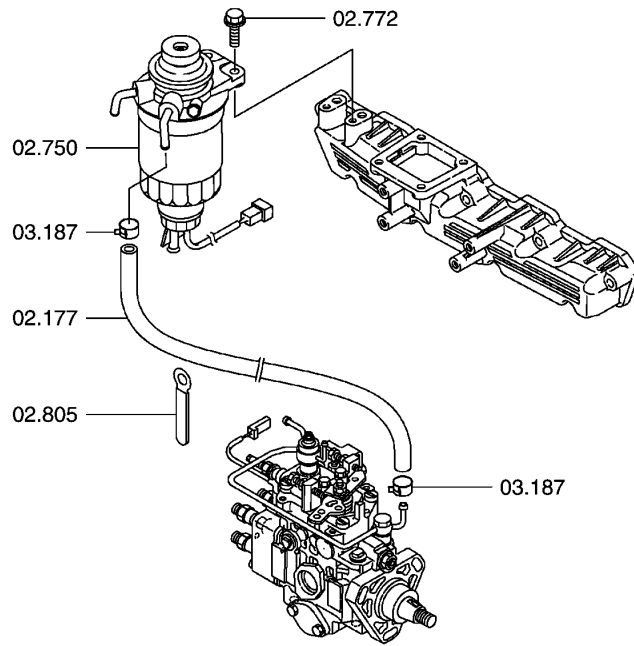
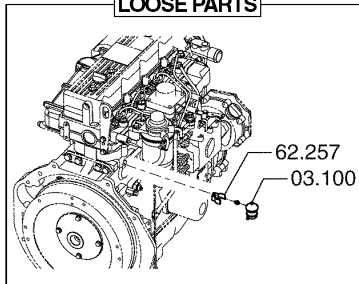
**01-306**

FUEL LINES

ENGINE ASSEMBLY COMPLETE 00.000



LOOSE PARTS



FUEL LINES

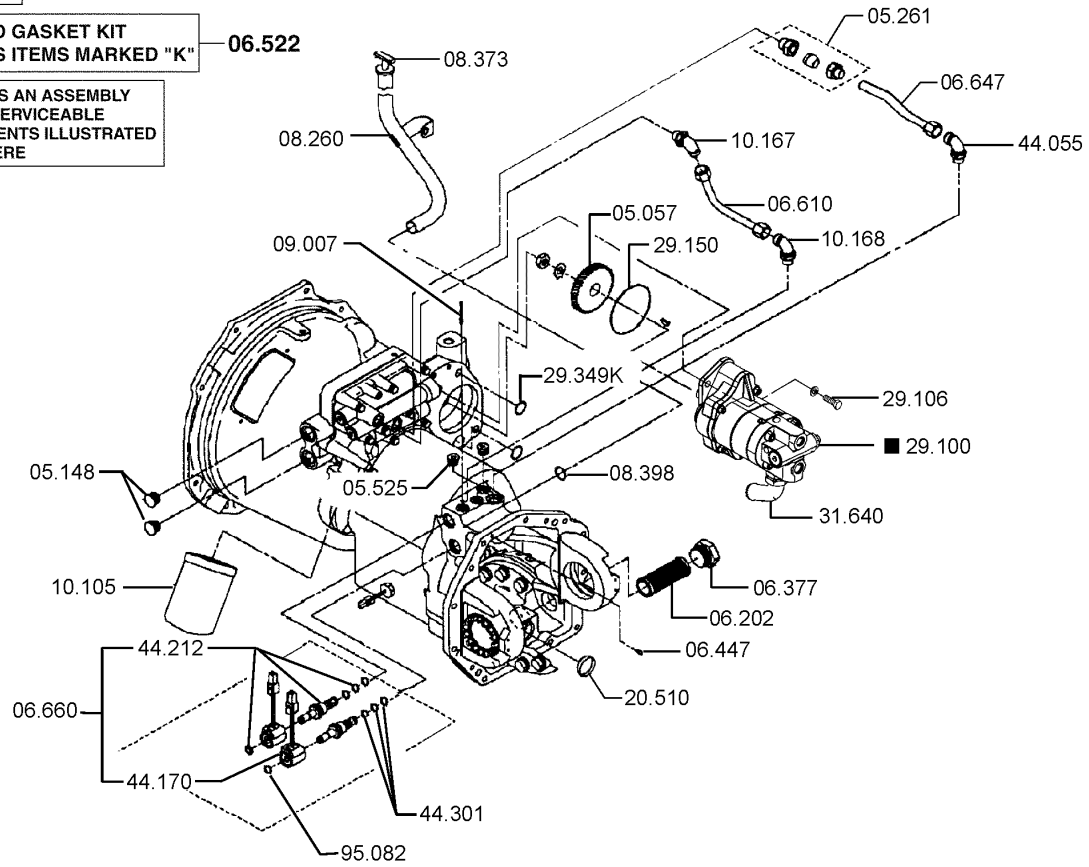
02-461

# T/M HYDRAULIC PUMP & LUBRICATION LINES

ASSEMBLY COMPLETE — 20.100

SEAL AND GASKET KIT INCLUDES ITEMS MARKED "K" — 06.522

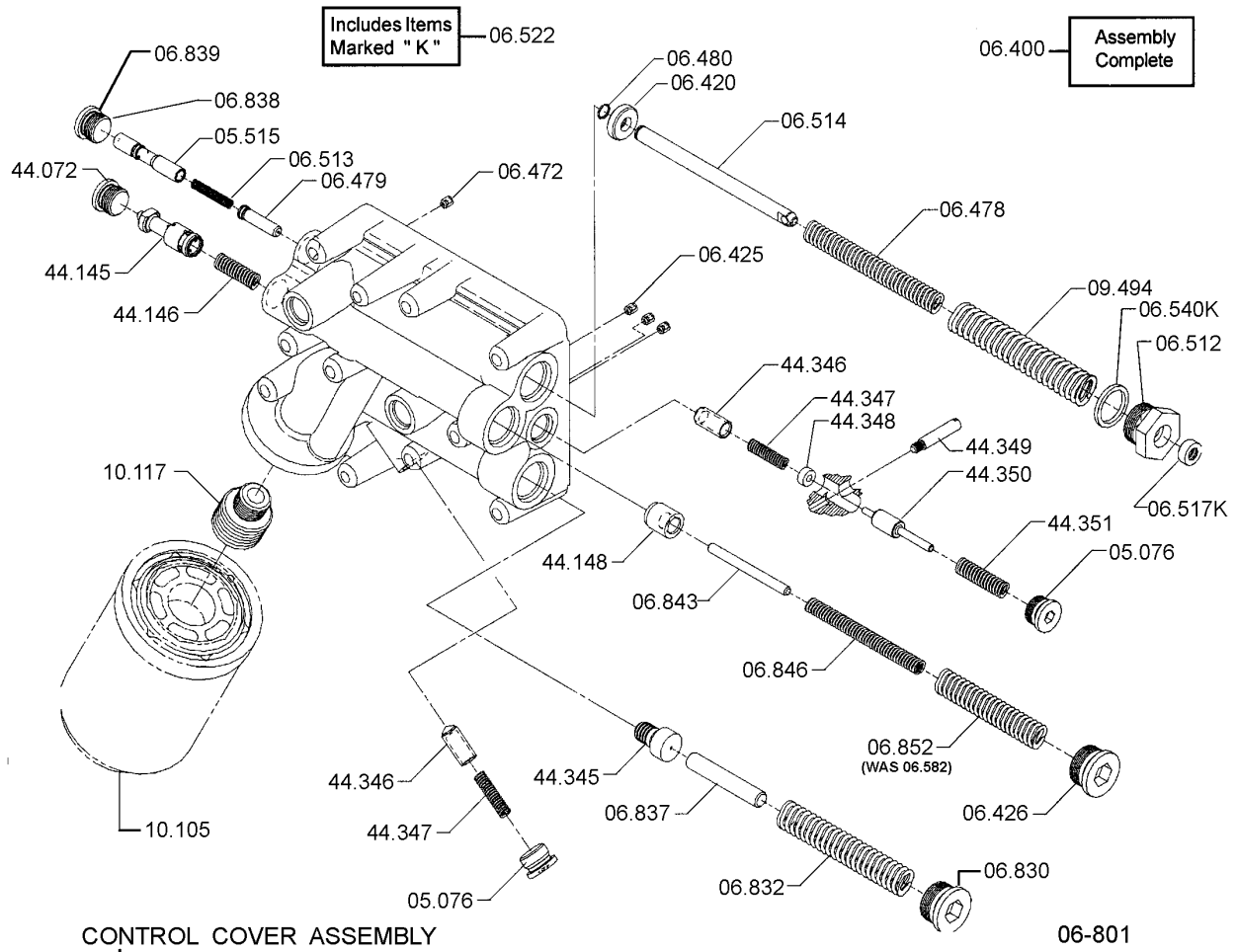
■ INDICATES AN ASSEMBLY HAVING SERVICEABLE COMPONENTS ILLUSTRATED ELSEWHERE



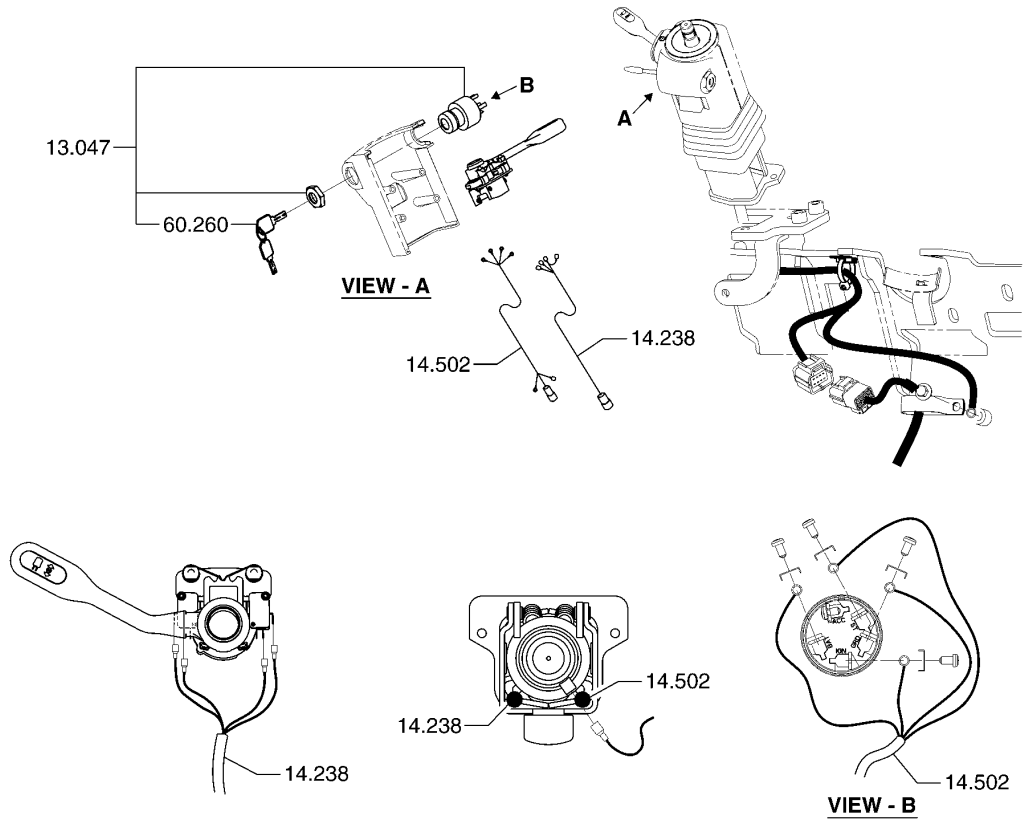
T/M HYDRAULIC PUMP & LUBRICATION LINES

05-035

# CONTROL COVER ASSEMBLY



# KEY & DIRECTIONAL SWITCH INSTALLATION

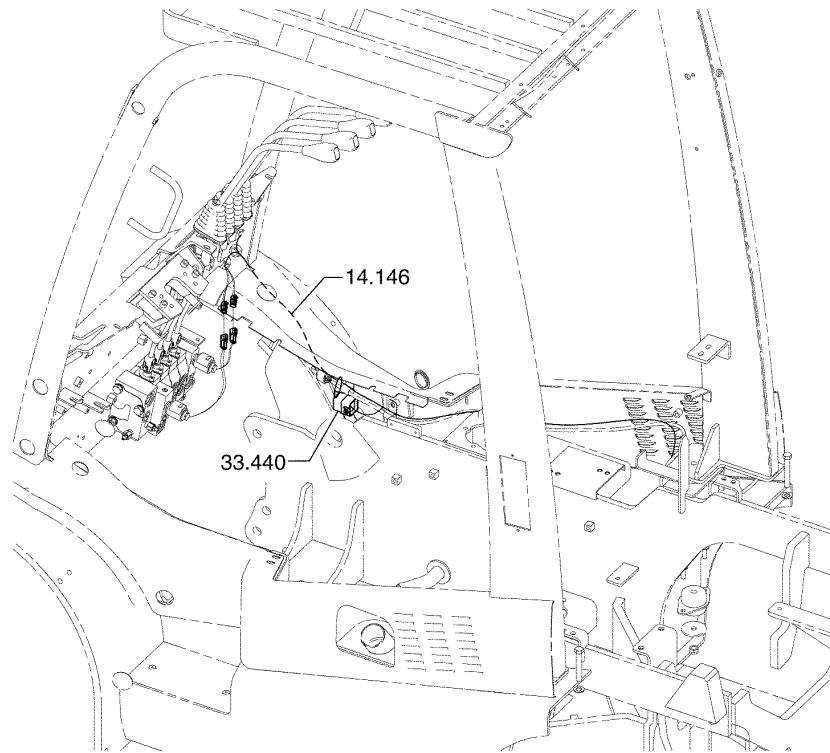


KEY & DIRECTIONAL SWITCH INSTALLATION

13-033

# SOLENOID VALVE ELECTRIC MOUNTING

---

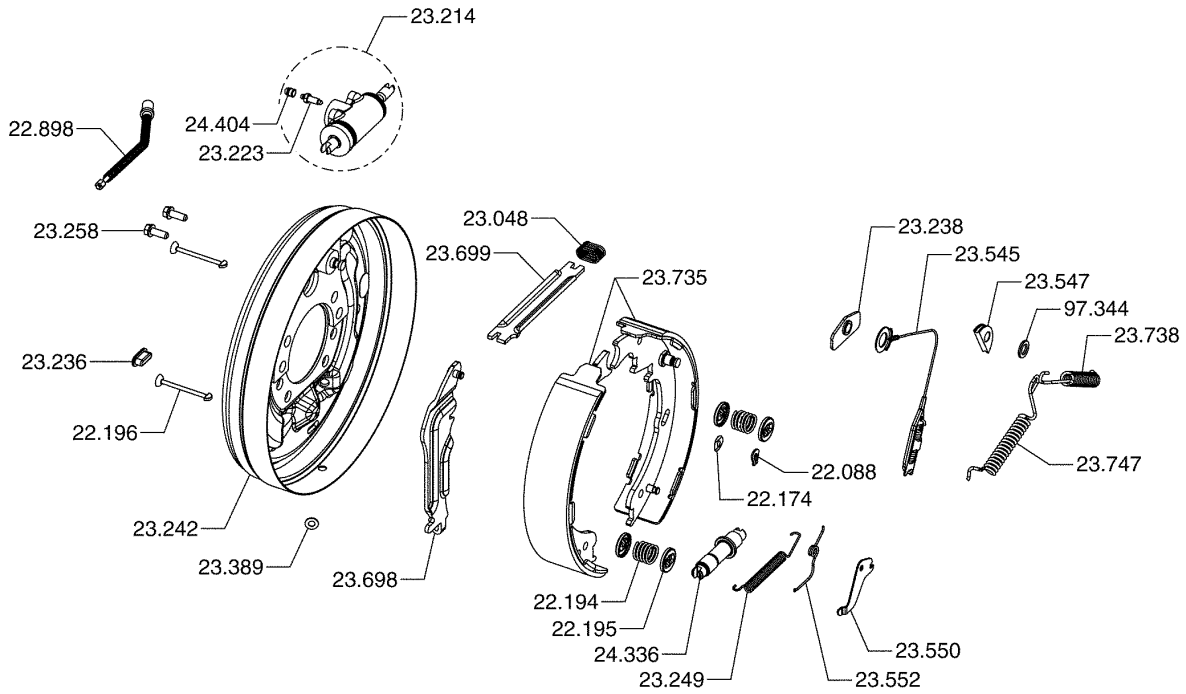


SOLENOID VALVE ELECTRIC MOUNTING

13-312

**BRAKE ASSEMBLY LH**

**ASSEMBLY COMPLETE** — 23.245

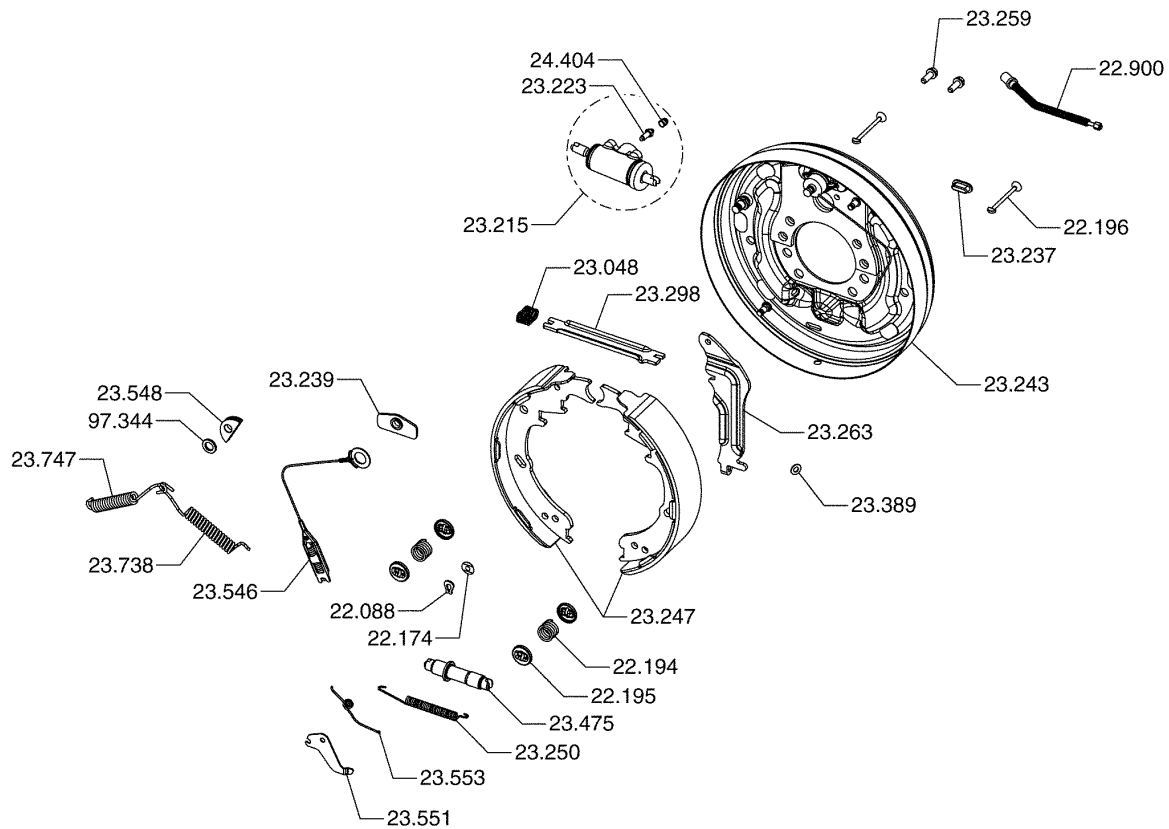


**BRAKE ASSEMBLY (LH)**

**22-011**

**BRAKE ASSEMBLY RH**

**ASSEMBLY COMPLETE** — 23.244



**BRAKE ASSEMBLY (RH)**

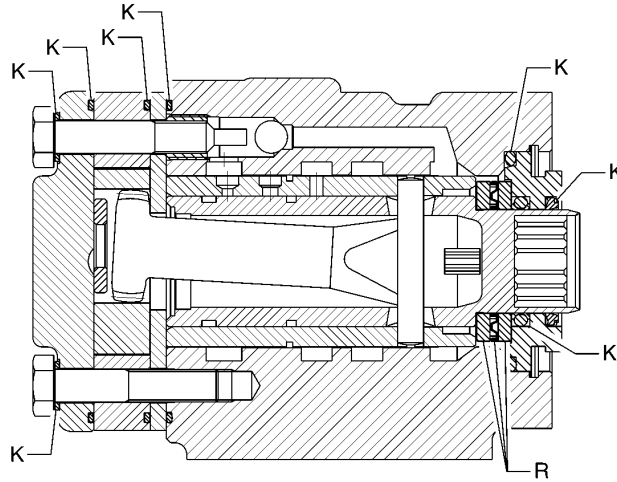
**22-054**

**STEERING UNIT**

**ASSEMBLY COMPLETE** — 25.150

**SEAL KIT INCLUDES ITEMS MARKED "K"** — 25.109

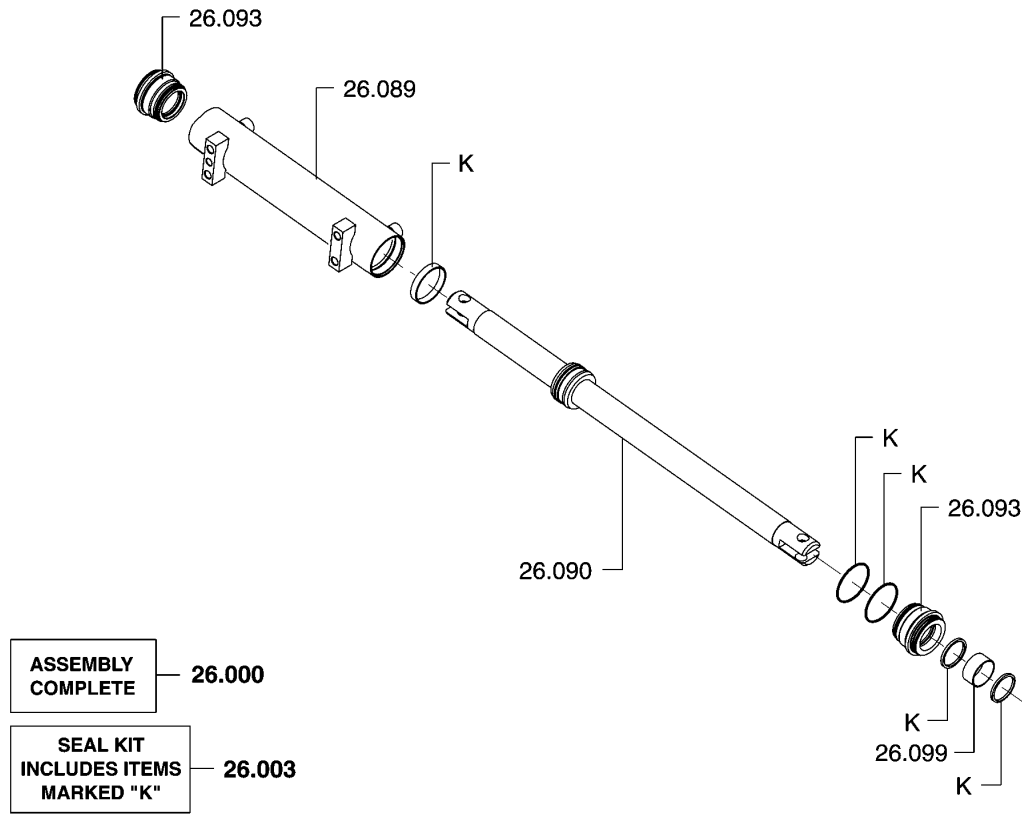
**NEEDLE BEARING KIT INCLUDES ITEMS MARKED "R"** — 25.972



**STEERING UNIT**

**25-076**

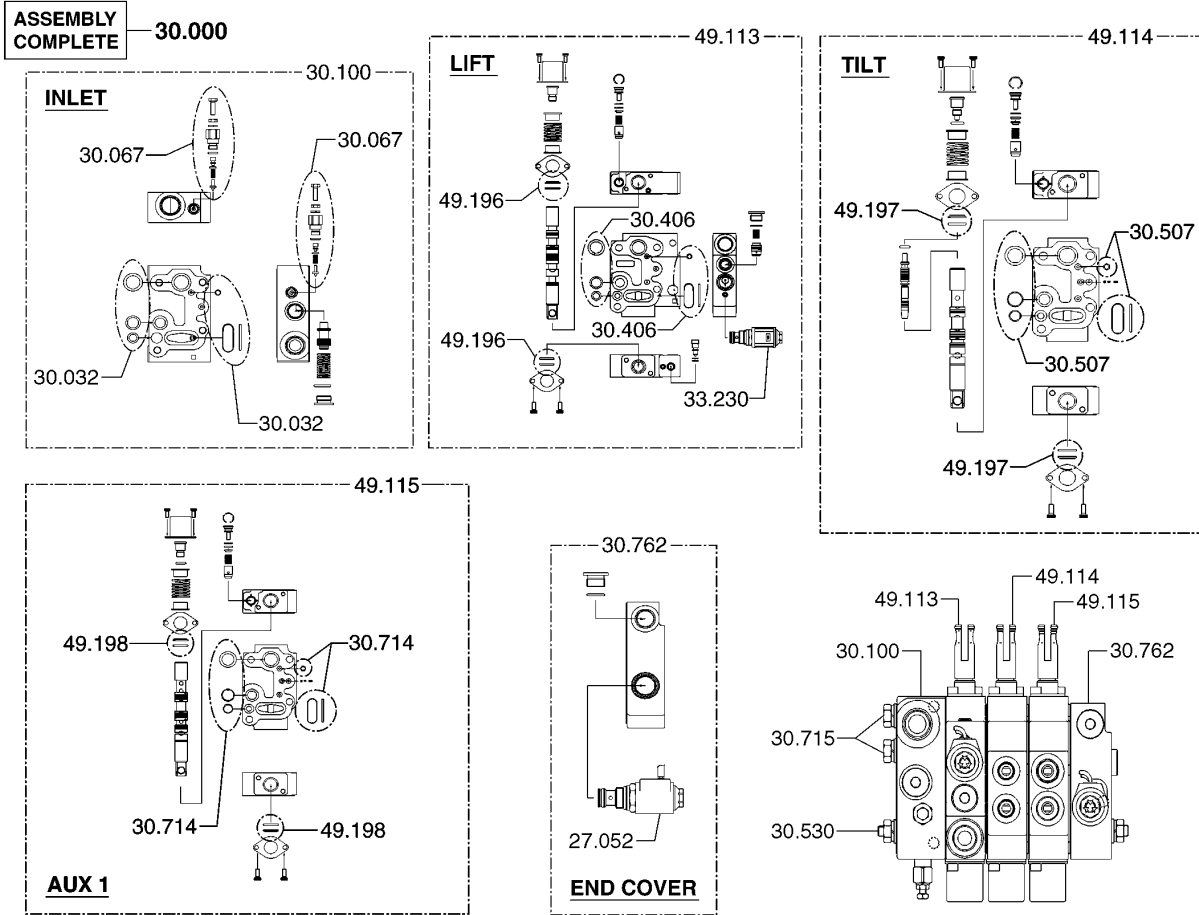
# STEER CYLINDER



STEER CYLINDER

26-274

**HYDRAULIC CONTROL VALVE - 3SPOOL**

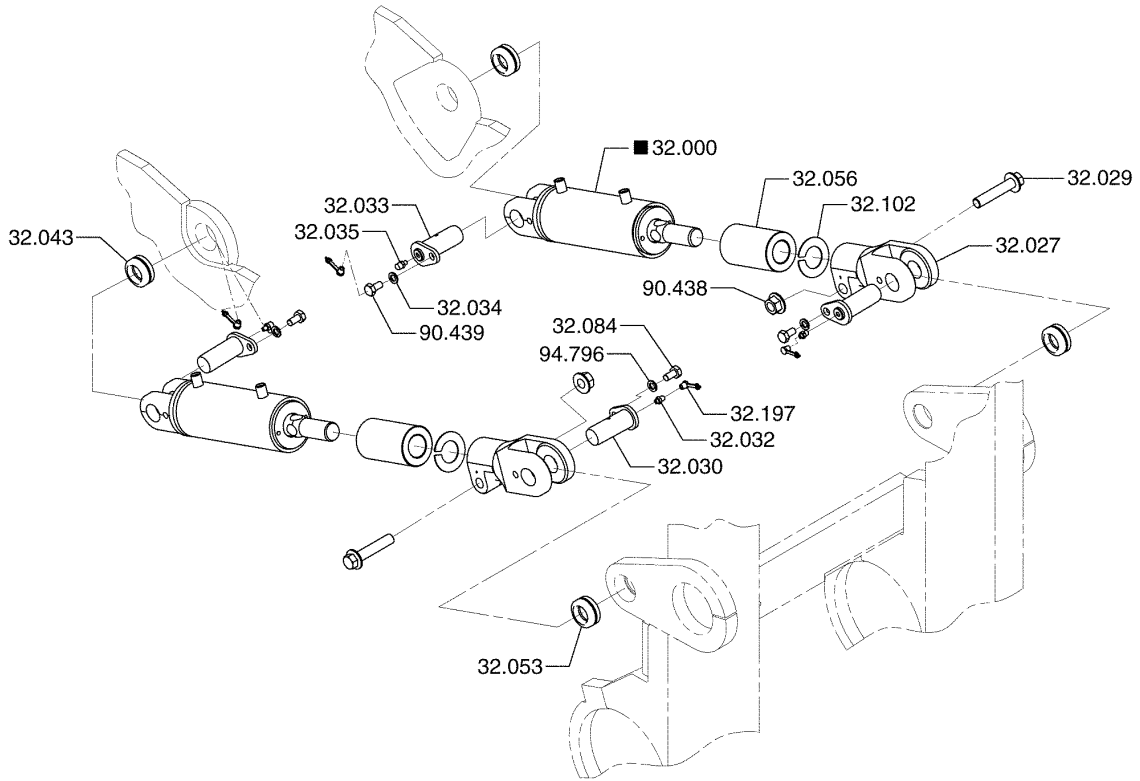


**HYDRAULIC CONTROL VALVE - 3SPOOL**

**30-605**

**TILT CYLINDER MOUNTING**

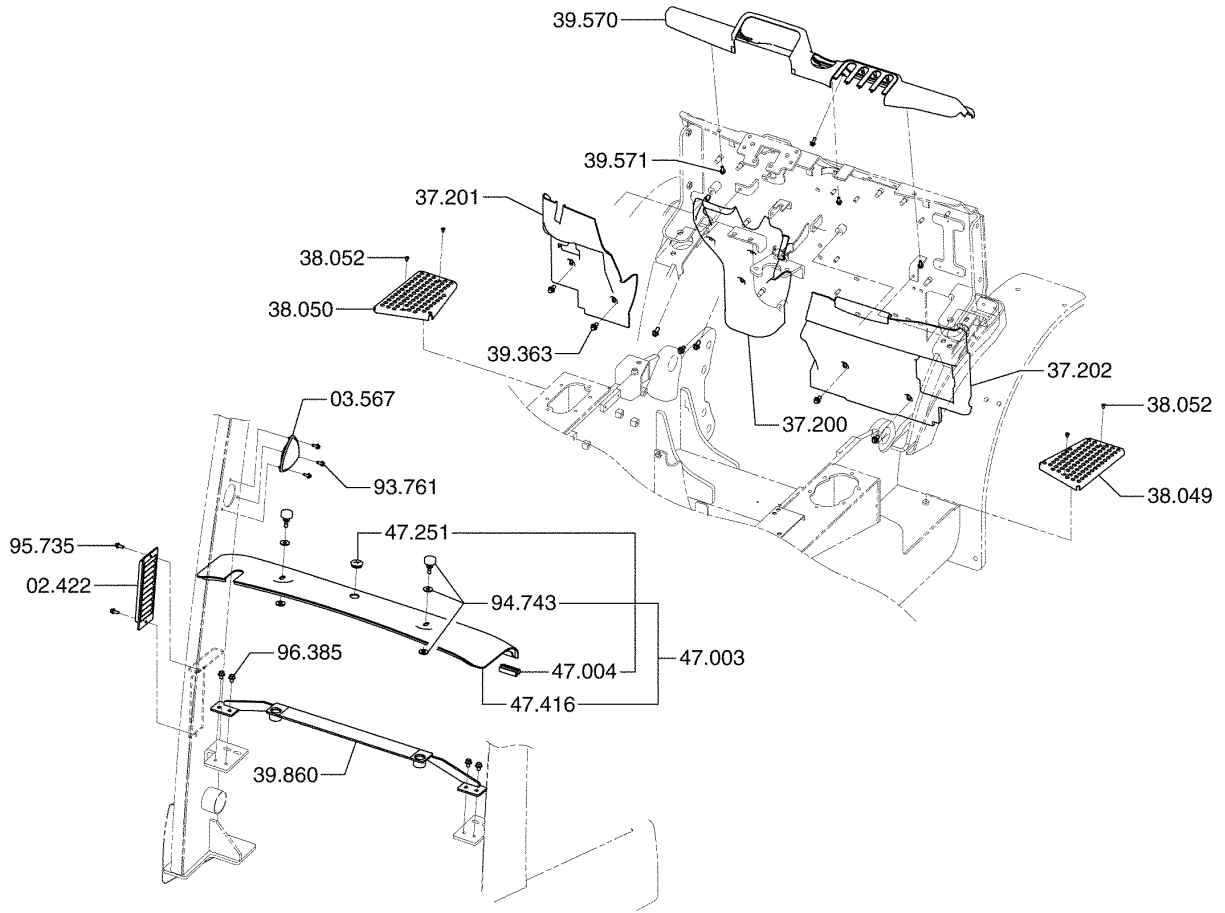
■ INDICATES AN ASSEMBLY  
HAVING SERVICEABLE  
COMPONENTS ILLUSTRATED  
ELSEWHERE



**TILT CYLINDER MOUNTING**

**32-155**

**SHEET METAL & TRIM**

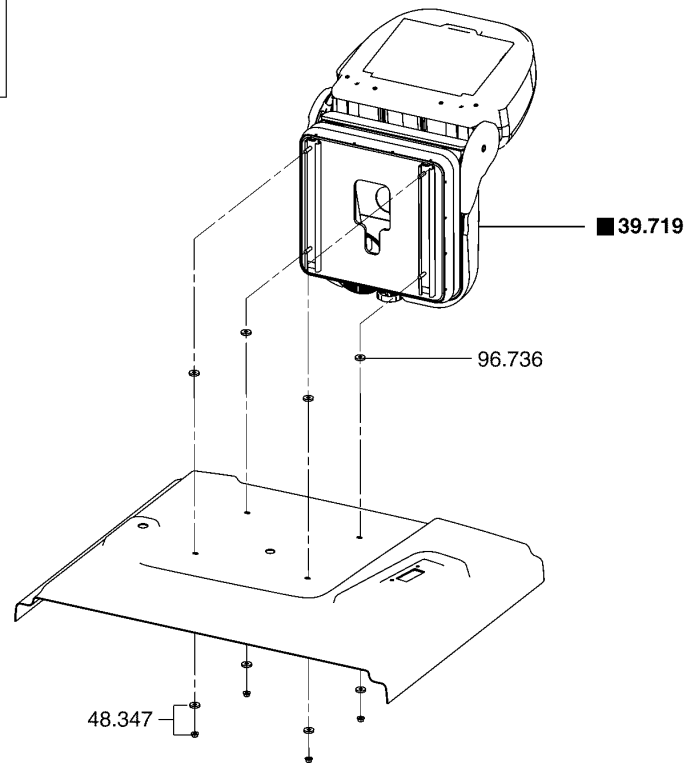


**SHEET METAL & TRIM**

**37-116**

## SEAT MOUNTING

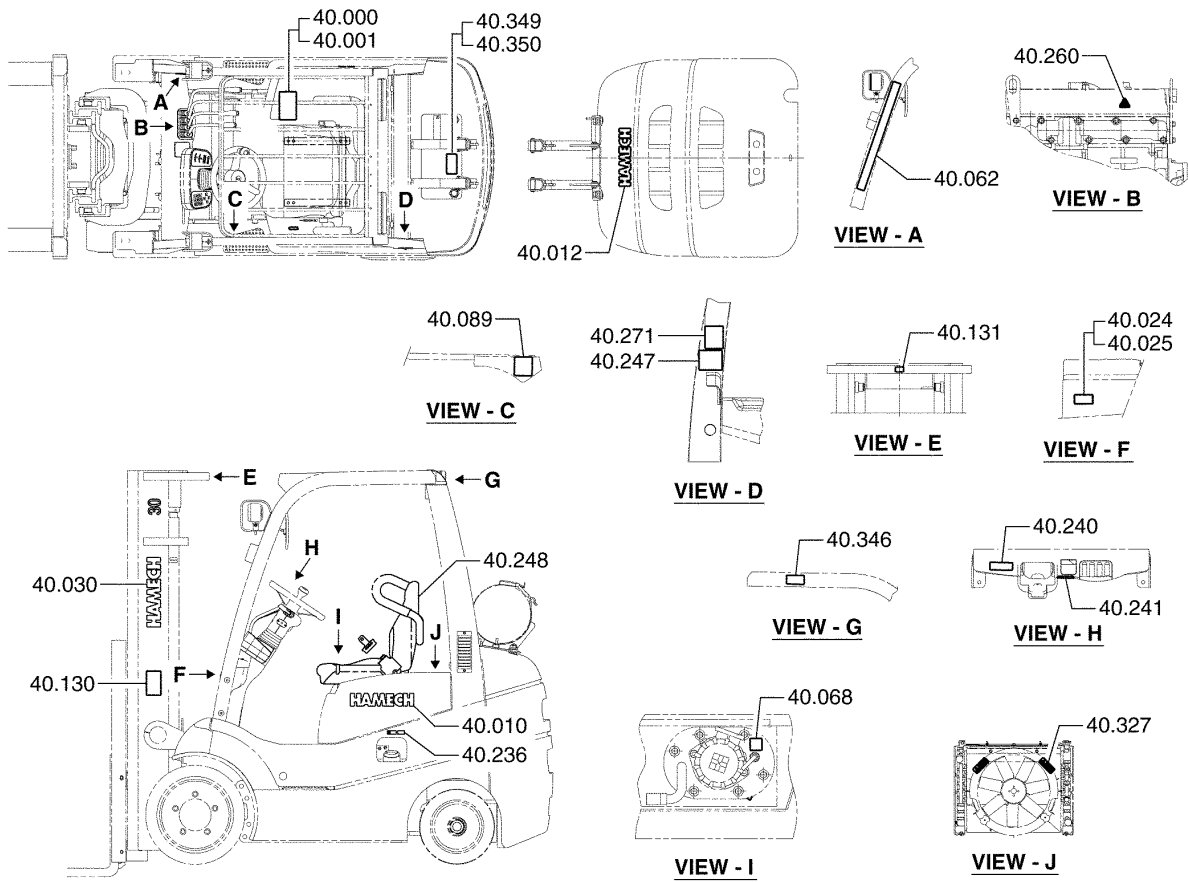
■ INDICATES AN ASSEMBLY  
HAVING SERVICEABLE  
COMPONENTS ILLUSTRATED  
ELSEWHERE



SEAT MOUNTING

39-829

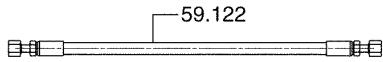
**DECALS**



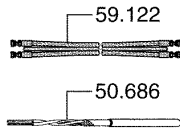
**DECALS**

**40-249**

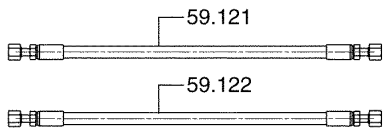
**ATTACHMENT HOSE & CABLE SETTINGS (UPRIGHT)**



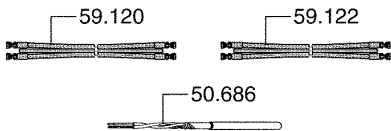
**STANDARD UPRIGHT (3SP)**



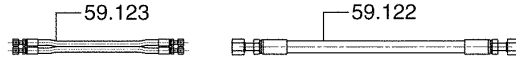
**STANDARD UPRIGHT WITH WIRE (3SP)**



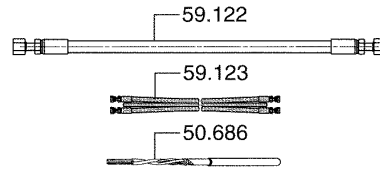
**TRIPLE STAGE UPRIGHT (3SP)**



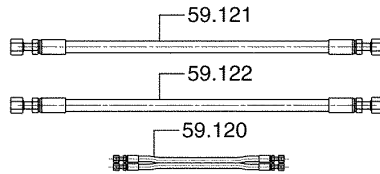
**TRIPLE STAGE UPRIGHT WITH WIRE (3SP)**



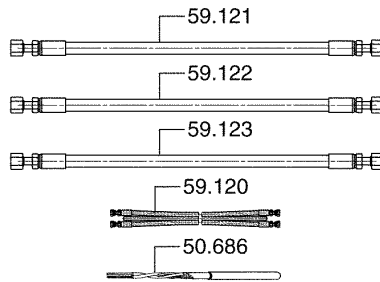
**STANDARD UPRIGHT (4SP)**



**STANDARD UPRIGHT WITH WIRE (4SP)**



**TRIPLE STAGE UPRIGHT (4SP)**



**TRIPLE STAGE UPRIGHT WITH WIRE (4SP)**

ATTACHMENT HOSE & CABLE SETTINGS (UPRIGHT)

50-826

## SECONDARY CYLINDER ASSEMBLY

---

INDEX	PART NUMBER	PART NAME	NUMBER REQ
66413	2818793	SPACER	1
66413	2818794	SEC CYL SPACER	1
66444	1239730	GLAND	1

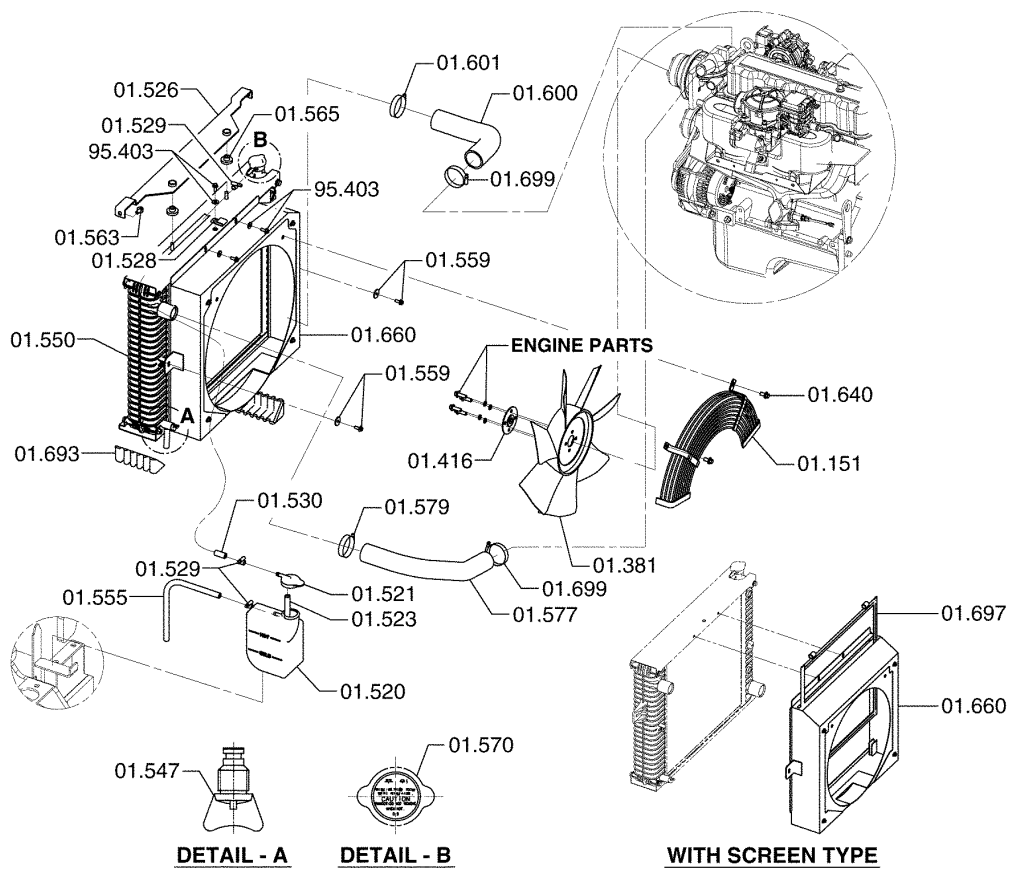
## PART NOTES:

- [1] - (MFH 3860MM)
- [2] - (MFH 4320MM)
- [3] - (MFH 4800MM)
- [4] - (MFH 5210MM)
- [5] - (MFH 5520MM)
- [6] - (MFH 5740MM)
- [7] - (MFH 6100MM)
- [8] - (MFH 6370MM)
- [9] - (MFH 6830MM)
- [10] - (MFH 7315MM)
- [11] - (MFH 4600MM)
- [12] - (MFH 4500MM)
- [13] - (MFH 5025MM)
- [14] - (MFH 6500MM)
- [15] - (MFH 4801MM)

## CRANKSHAFT / CAMSHAFT

INDEX	PART NUMBER	PART NAME	NUMBER REQ
00000	8103102	ENGINE ASSY-GM 3.0 T4	1
00007	1243779	BALANCER-CRKSHT USE 924962	1
00150	925007	PLUG CORE HOLE	1
00156	922682	PLUG CORE HOLE	1
00172	1243848	COVER-FUEL PUMP	1
00175	1243849	GASKET-FUEL PUMP COVER	1
00178	1243787	BOLT	2
00178	1243789	WASHER	3
00200	924992	BRG CAP BOLT	10
00212	924997	STUD	1
00214	1243639	PIN	1
00256	1243859	WASHER	1
00256	1243863	BOLT	2
00287	922681	PLUG ENGINE	1
00327	924963	WASHER NLA STK EXH	6
00327	924964	BALANCER BOLT	1
00350	1243962	CRANKSHAFT	1
00355	924956	STD.MAIN BRG.SET	4
00364	928955	MAIN BEARING,.001 SET	1
00375	925001	BUSHING	1
00404	924959	CRANK GEAR	1
00445	924998	STUD	2
00450	930116	FLYWHEEL	1
00453	922169	GEAR FLYWHEEL RING	1
00455	924995	BOLT	2
00456	1243869	BOLT USE 922718 STK EXHAUSTED	10
00456	924963	WASHER NLA STK EXH	1
00457	924996	BOLT	2
00458	924994	SEAL OIL HOUSING	1
00459	924988	GASKET	1
00463	1243781	DOWEL-CRANKSHAFT	1
00483	924960	GASKET ENGINE COVER	1
00530	934961	BEARING CONE AND CUP	1
00531	922760	BOLT	6
00547	924958	FRONT CRANK SEAL	1
00628	925008	PLUG ENGINE	1
00650	924944	CAMSHAFT	1
00655	924947	CAMSHAFT PLATE	1
00656	1243853	WASHER	1
00656	922760	BOLT	3
00677	924946	CAMSHAFT GEAR	1
00760	935755	ROD CONNECTING	4
00765	935756	BUSHING ROD	4
00767	1243773	BOLT	8
00767	1243774	NUT	8
00787	924948	CAM GEAR SPACER	1
00803	1243775	PISTON W/PIN	4
00820	924933	RINGS PISTON STD.	4
00868	922170	SEAL	1

**COOLING SYSTEM**

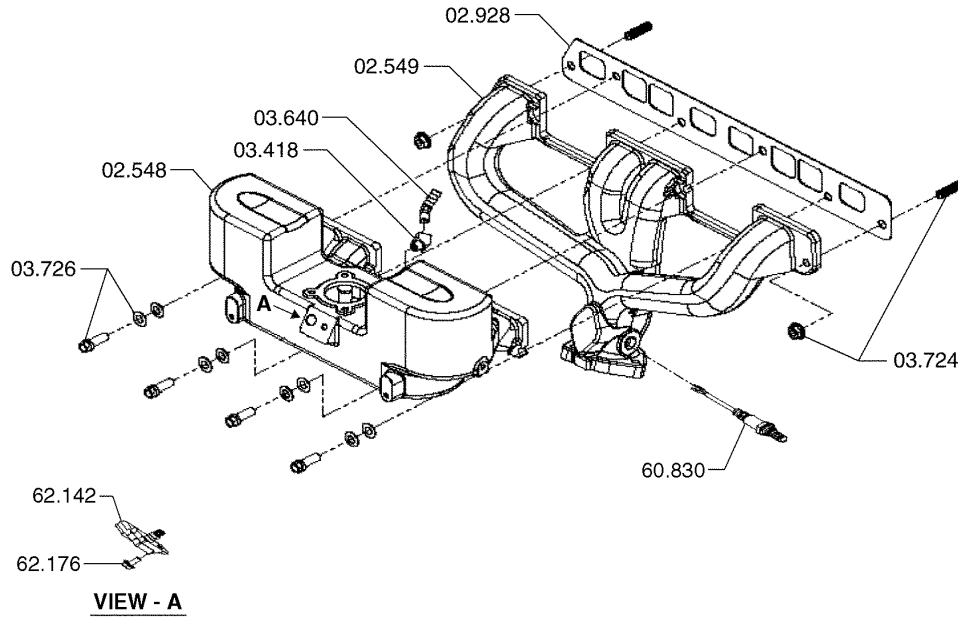


**COOLING SYSTEM**

**01-365**

# INTAKE & EXHAUST MANIFOLDS

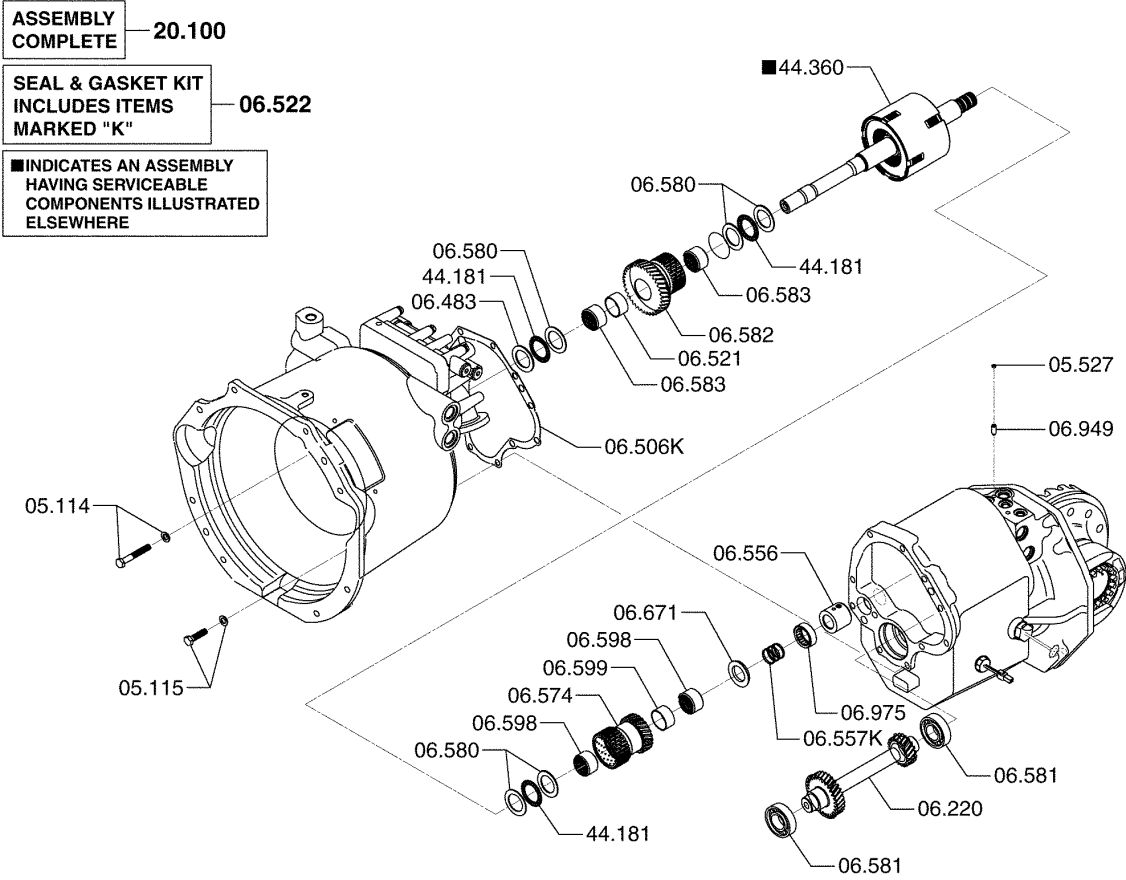
ASSEMBLY COMPLETE — 00.000



INTAKE & EXHAUST MANIFOLDS

03-649

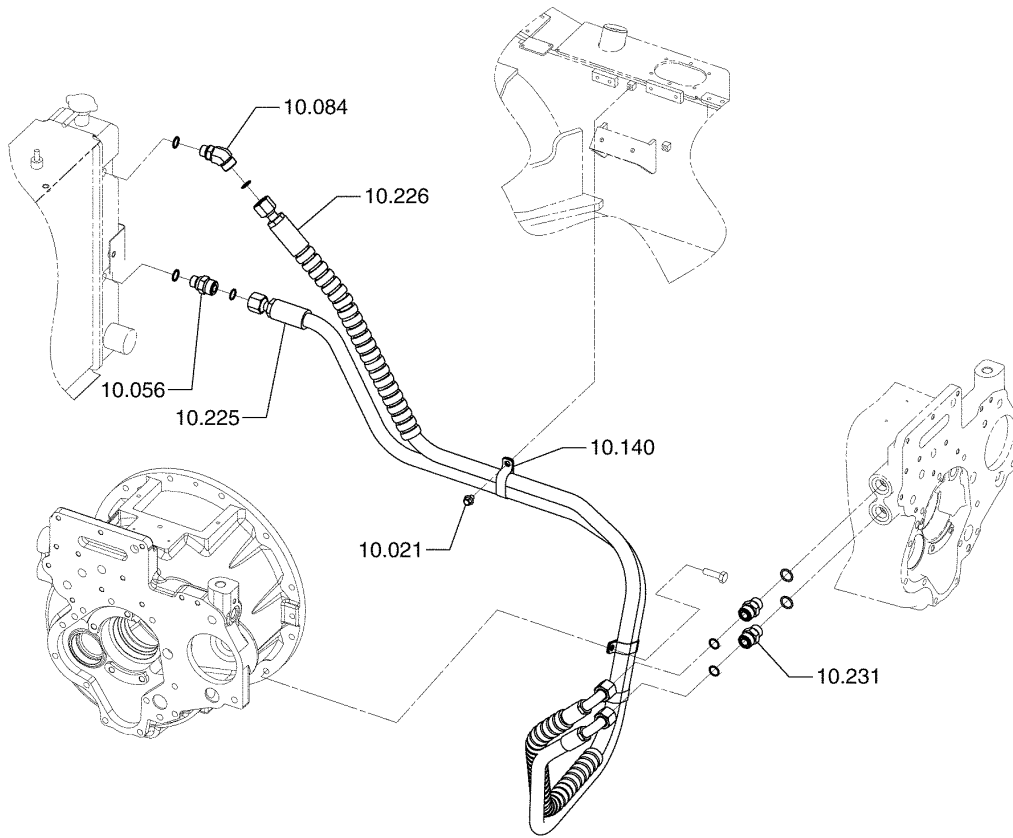
# CONVERTER HOUSING & CLUTCH ASSEMBLY



CONVERTER HOUSING & CLUTCH ASSEMBLY

05-165

# TRANSMISSION COOLING LINES

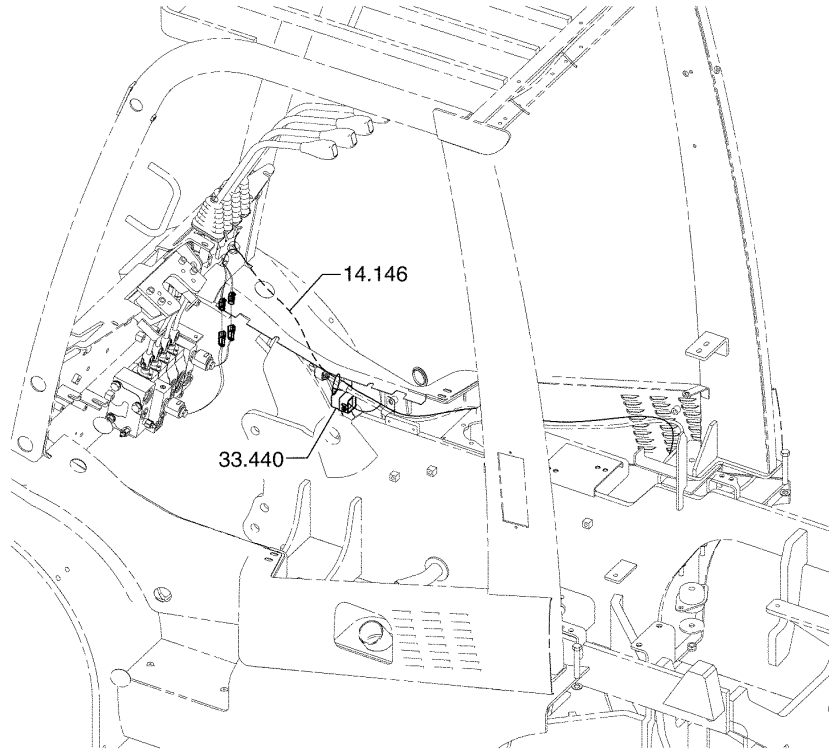


TRANSMISSION COOLING LINES

10-131

# SOLENOID VALVE ELECTRIC MOUNTING

---



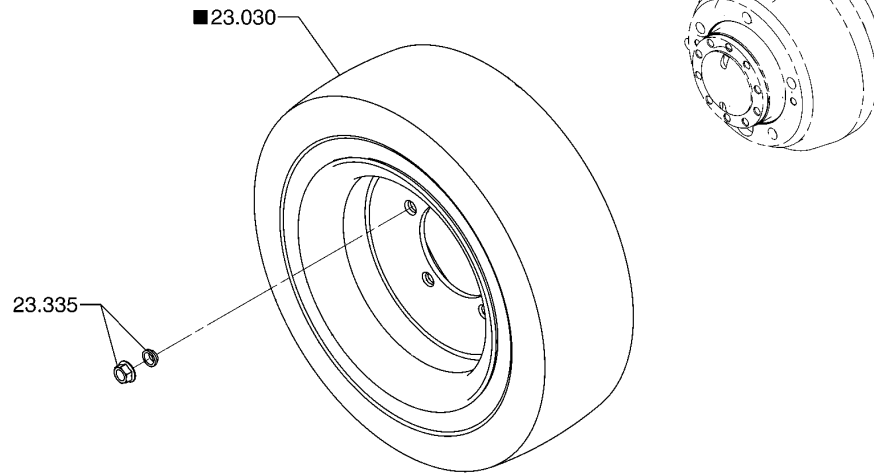
SOLENOID VALVE ELECTRIC MOUNTING

13-312

# DRIVE WHEEL & TIRE MOUNTING

---

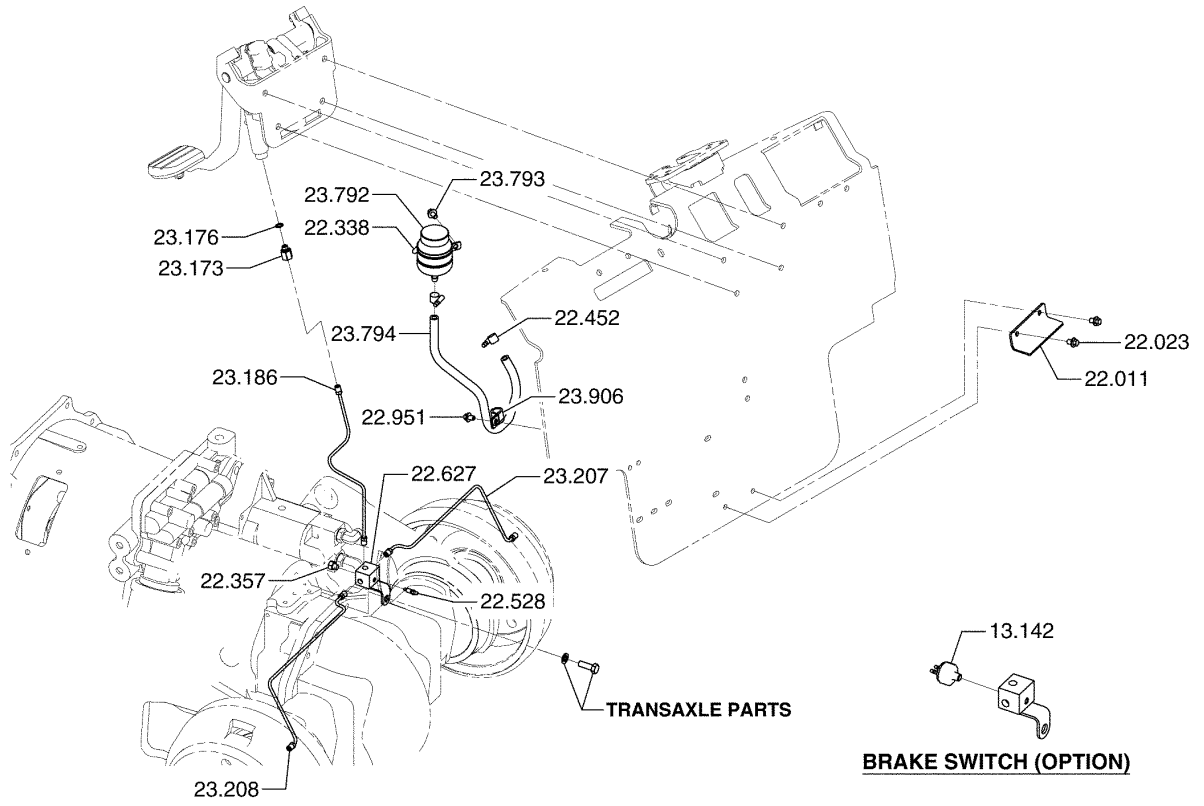
■ INDICATES AN ASSEMBLY  
HAVING SERVICEABLE  
COMPONENTS ILLUSTRATED  
ELSEWHERE



DRIVE WHEEL & TIRE MOUNTING

22-013

**BRAKE LINES**

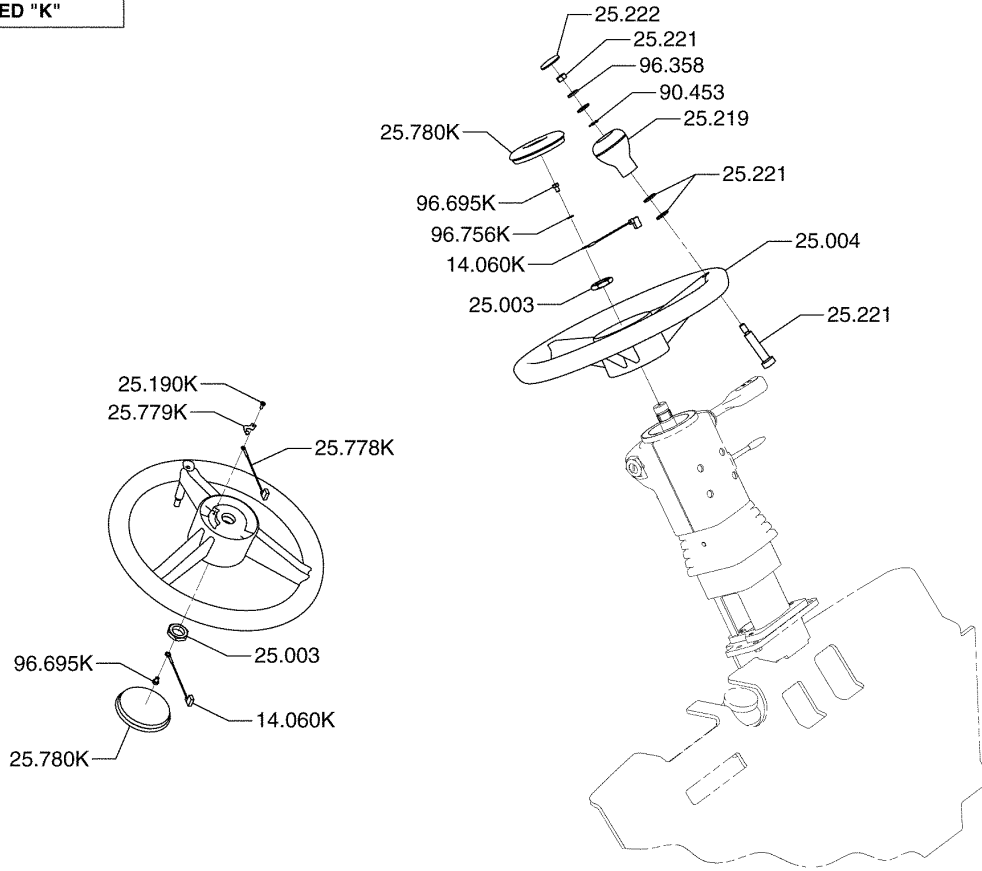


**BRAKE LINES**

**23-460**

**STEERING WHEEL MOUNTING**

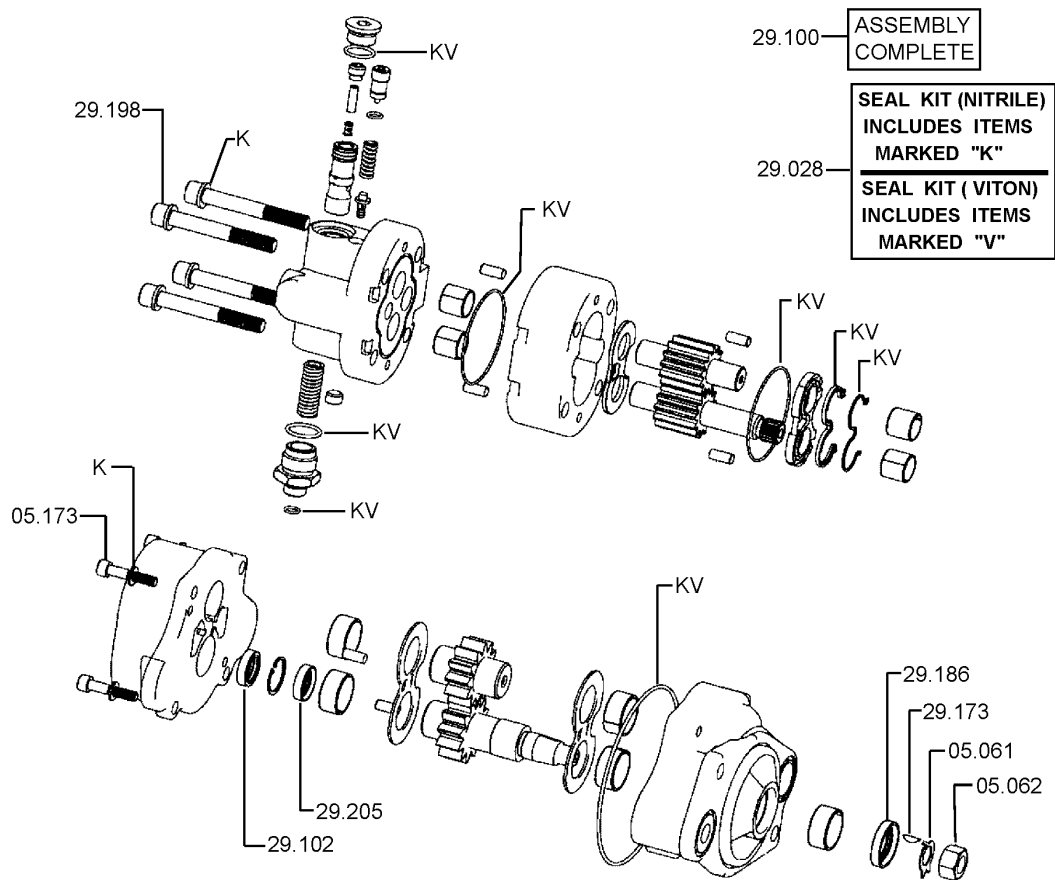
**HORN BUTTON KIT  
INCLUDES ITEMS  
MARKED "K"** — 25.002



**STEERING WHEEL MOUNTING**

**25-250**

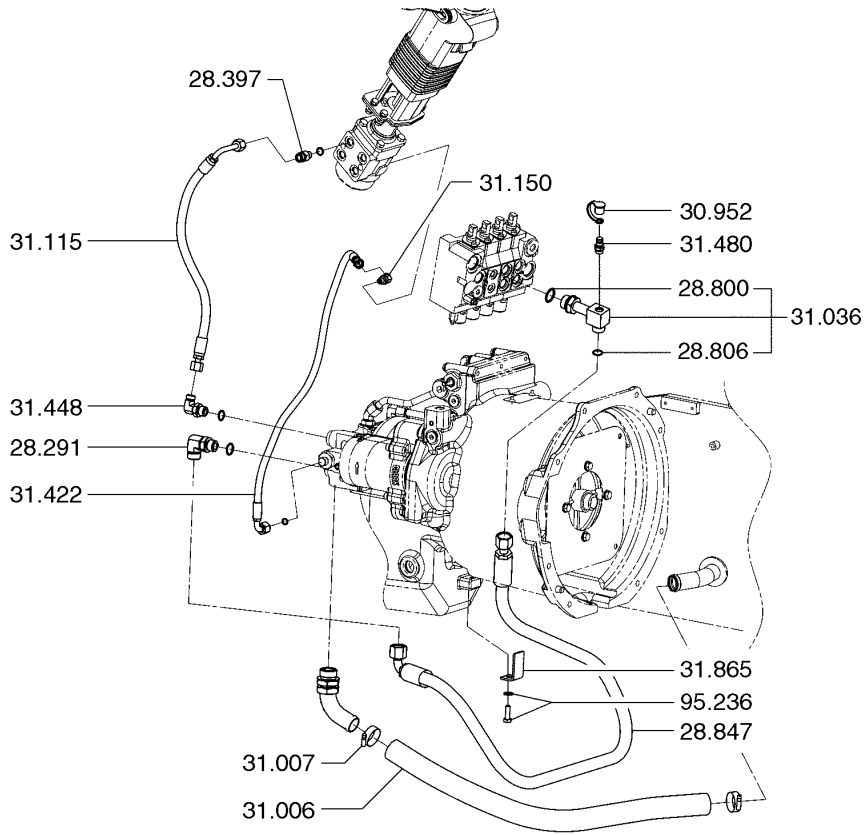
HYDRAULIC PUMP



HYDRAULIC PUMP

29-192

HYDRAULIC SUPPLY LINES

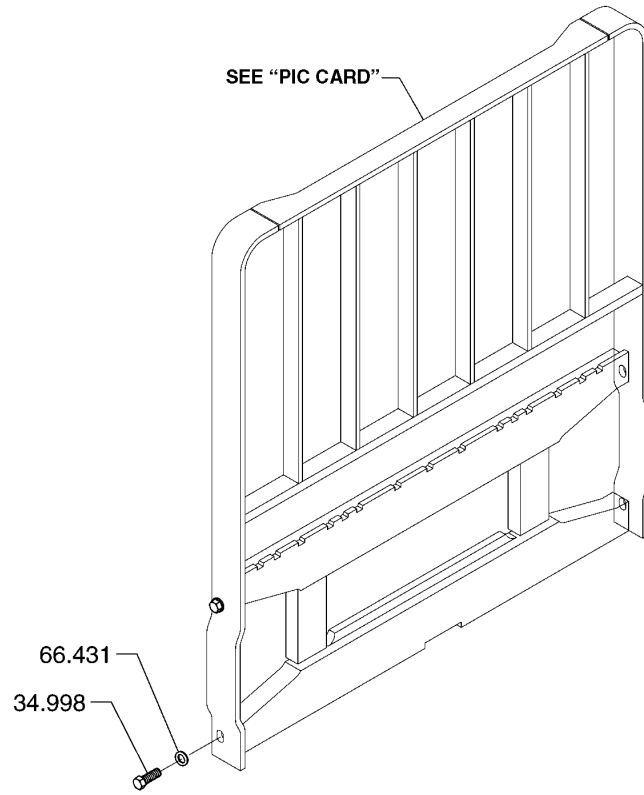


HYDRAULIC SUPPLY LINES

31-221

# LOAD BACK REST MOUNTING

---

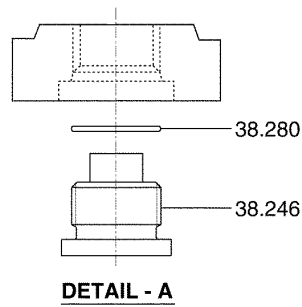
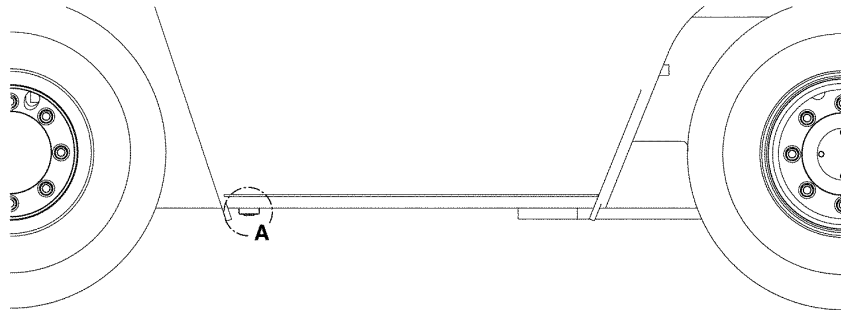


LOAD BACK REST MOUNTING

34-044

# FRAME TANK BOTTOM PLUG

---

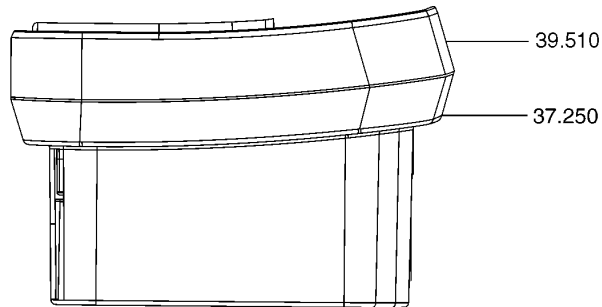
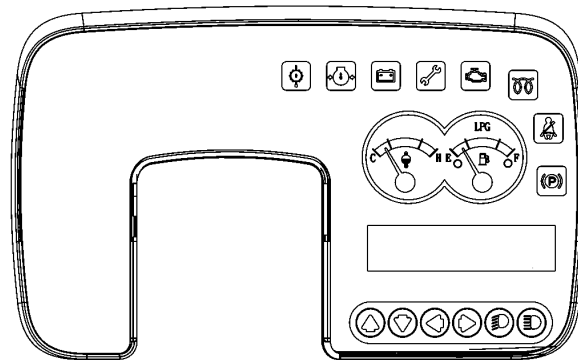


FRAME TANK BOTTOM PLUG

38-270

# POD INSTALLATION

ASSEMBLY COMPLETE — 13.000

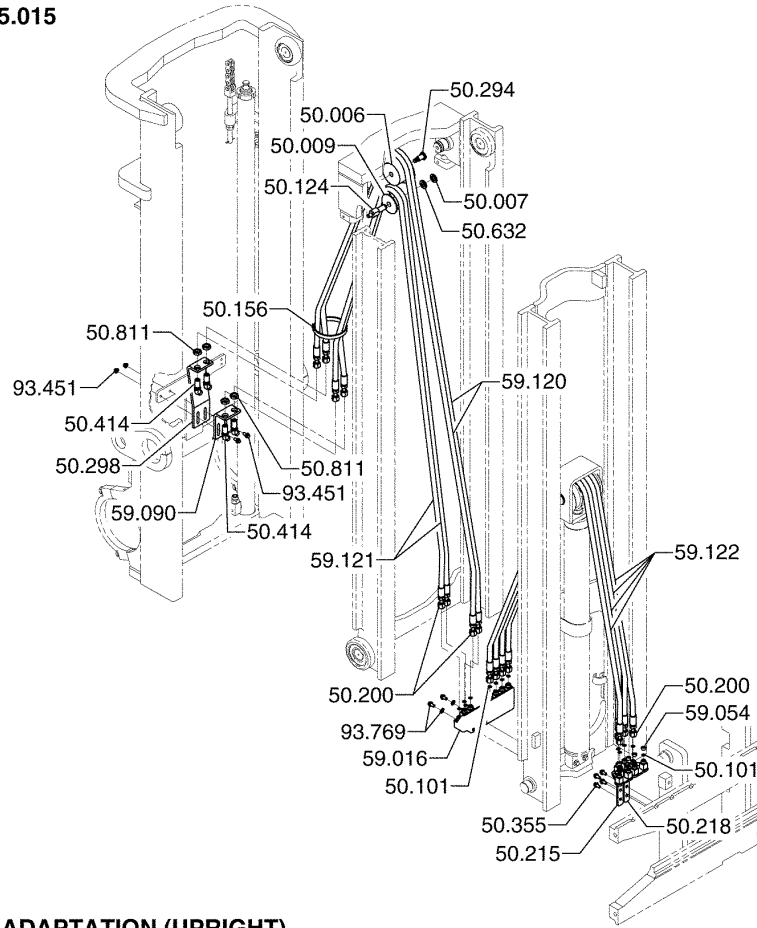


POD INSTALLATION

39-969

# ATTACHMENT HOSE ADAPTATION (UPRIGHT)

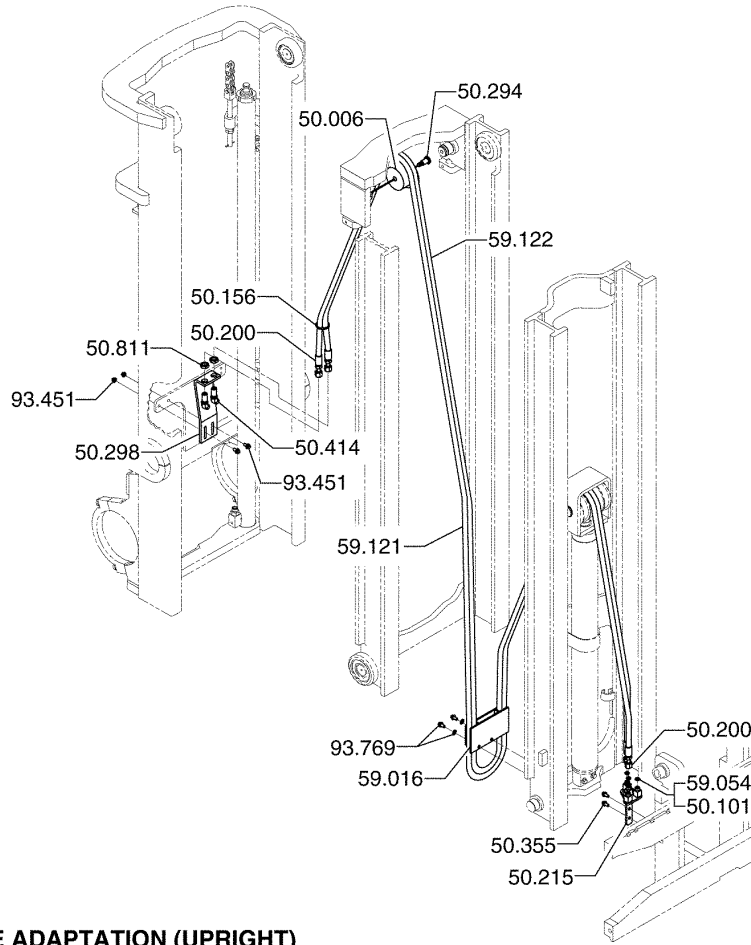
ATTACHMENT HOSE REFERENCE — 75.015



ATTACHMENT HOSE ADAPTATION (UPRIGHT)

50-407

**ATTACHMENT HOSE ADAPTATION (UPRIGHT)**



**ATTACHMENT HOSE ADAPTATION (UPRIGHT)**

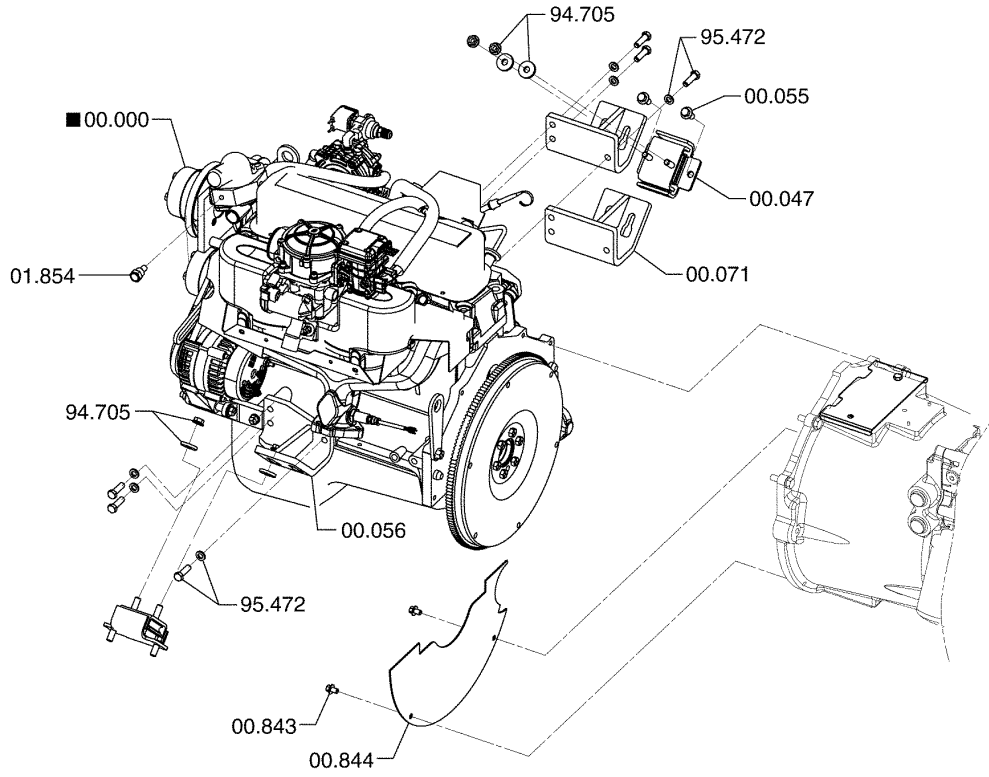
**50-828**

## TRIPLE STAGE UPRIGHT

	INDEX	PART NUMBER	PART NAME	NUMBER REQ	
		28726	8089513	SHEAVE-HOSE	1
		28727	2398962	BOLT	1
	[1]	28729	8067498	HOSE ASSY	1
	[2]	28729	8067499	HOSE ASSY	1
	[3]	28729	8067500	HOSE ASSY	1
	[4]	28729	8067501	HOSE ASSY	1
	[5]	28729	8067502	HOSE ASSY	1
	[6]	28729	8067503	HOSE ASSY	1
	[7]	28729	8067504	HOSE ASSY (L=3915MM)	1
	[8]	28729	8067505	HOSE ASSY	1
	[9]	28729	8067506	HOSE ASSY (L=4320MM)	1
	[10]	28729	8067507	HOSE ASSY (L=4715MM)	1
	[11]	28729	8067508	HOSE ASSY	1
	[12]	28729	8083870	HOSE ASSY	1
	[13]	28729	8089544	HOSE ASSY	1
		28744	55E001010	ELBOW STEEL	1
		28746	52E000810	CONNECTOR STEEL	1
		31217	8058771	HOSE ASSY	1
		31545	52E001012	CONNECTOR STEEL	1
		31546	58E001010	TEE STEEL	1
		31549	8058772	HOSE ASSY	1
	[1]	34001	8067407	OUTER RAIL	1
	[2]	34001	8067408	OUTER RAIL	1
	[14]	34001	8067409	RAIL OUTER	1
	[4]	34001	8067411	OUTER RAIL	1
	[5]	34001	8067412	OUTER RAIL	1
	[6]	34001	8067413	OUTER RAIL	1
	[7]	34001	8067414	OUTER RAIL	1
	[8]	34001	8067415	OUTER RAIL	1
	[9]	34001	8067416	OUTER RAIL	1
	[10]	34001	8067417	OUTER RAIL	1
	[11]	34001	8067418	OUTER RAIL	1
	[12]	34001	8083867	OUTER RAIL	1
	[13]	34001	8089539	OUTER RAIL	1
		34013	2801859	BEARING MAST ROLLER STD	1
		34013	2803437	BEARING MAST ROLLER OS	1
		34014	2359551	SHIM	1
		34014	932594	SHIM	1
		34037	2794865	CAP UPR TRUNNION	2
		34038	07CM01280	CAPSCREW	4
		34042	01CM00850	CAPSCREW	2
		34042	40DM00008	NUT LOCK	2
		34042	8008452	WASHER	4
	[1]	34050	8043515	INNER RAIL, 3860MFH	1
	[2]	34050	8043516	INNER RAIL, 4320MFH	1
	[14]	34050	8043517	INNER RAIL, 4800MFH	1
	[4]	34050	8043518	INNER RAIL, 5210MFH	1
	[5]	34050	8043519	INNER RAIL ASSEMBLY	1
	[6]	34050	8043520	INNER RAIL, 5740MFH	1

**ENGINE MOUNTING**

■ INDICATES AN ASSEMBLY  
HAVING SERVICEABLE  
COMPONENTS ILLUSTRATED  
ELSEWHERE

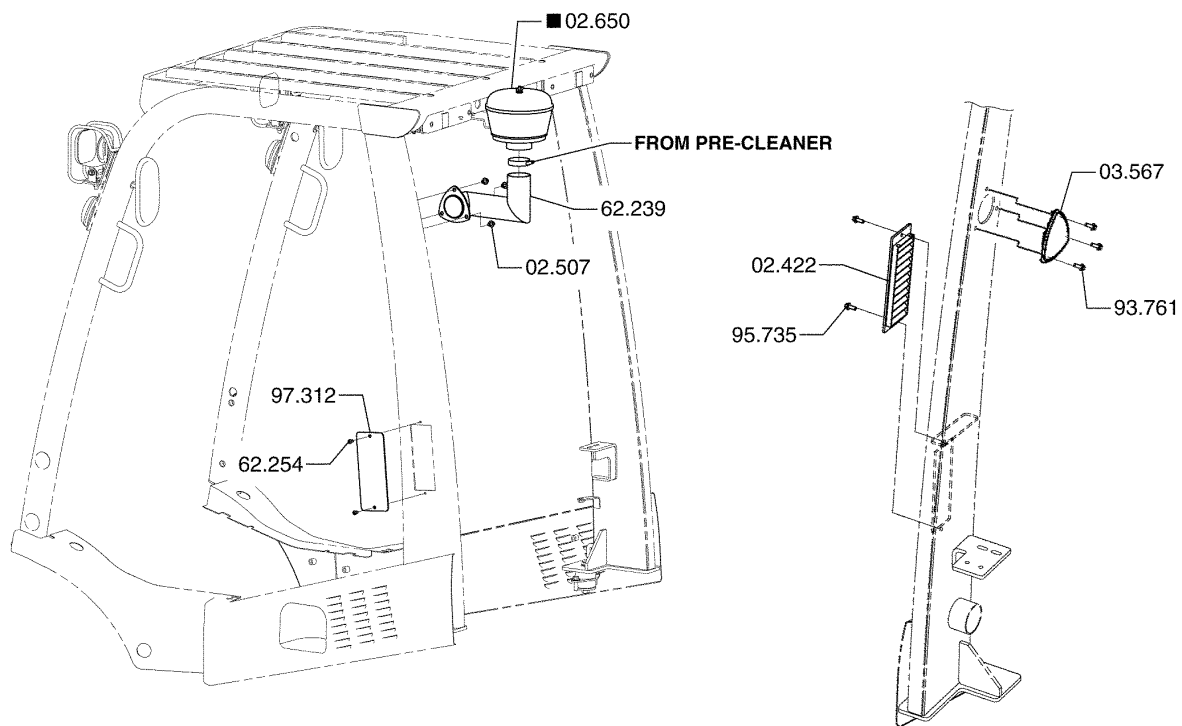


**ENGINE MOUNTING**

**00-767**

# PRE - CLEANER MOUNTING

■ INDICATES AN ASSEMBLY HAVING SERVICEABLE COMPONENTS ILLUSTRATED ELSEWHERE

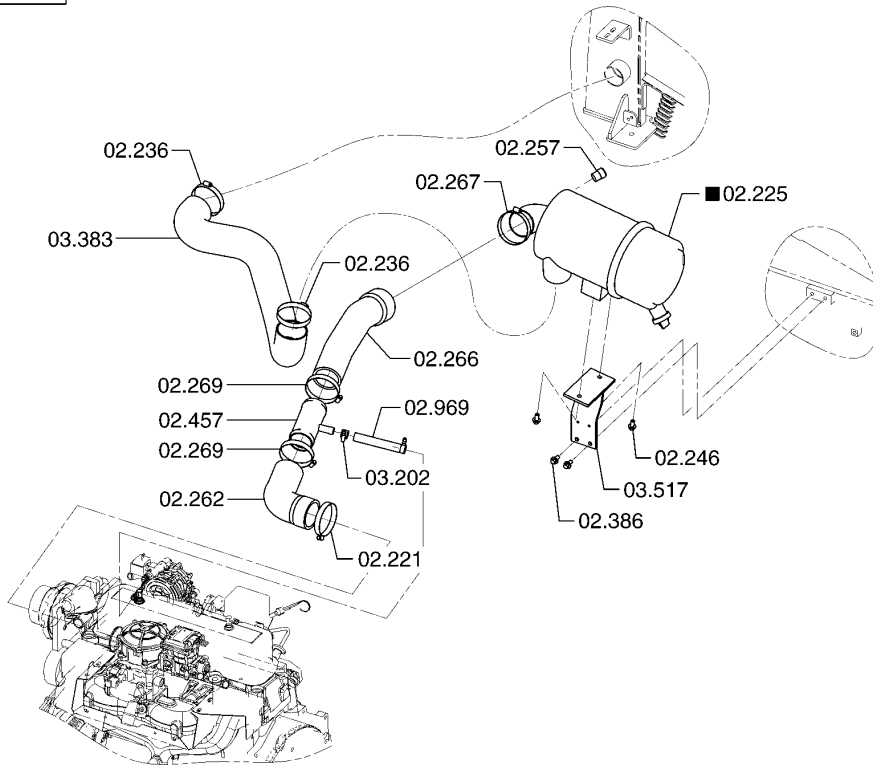


**PRE - CLEANER MOUNTING**

**02-228**

# INTAKE SYSTEM

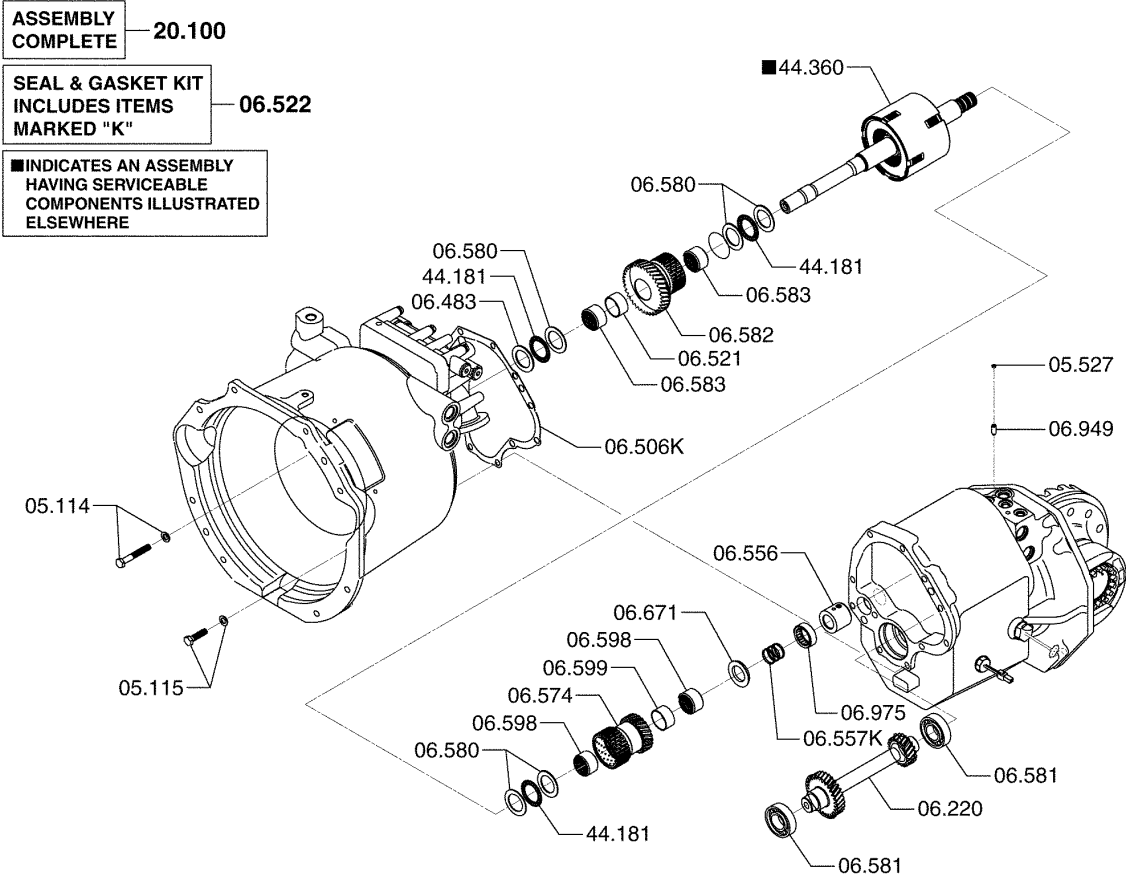
■ INDICATES AN ASSEMBLY  
HAVING SERVICEABLE  
COMPONENTS ILLUSTRATED  
ELSEWHERE



INTAKE SYSTEM

03-650

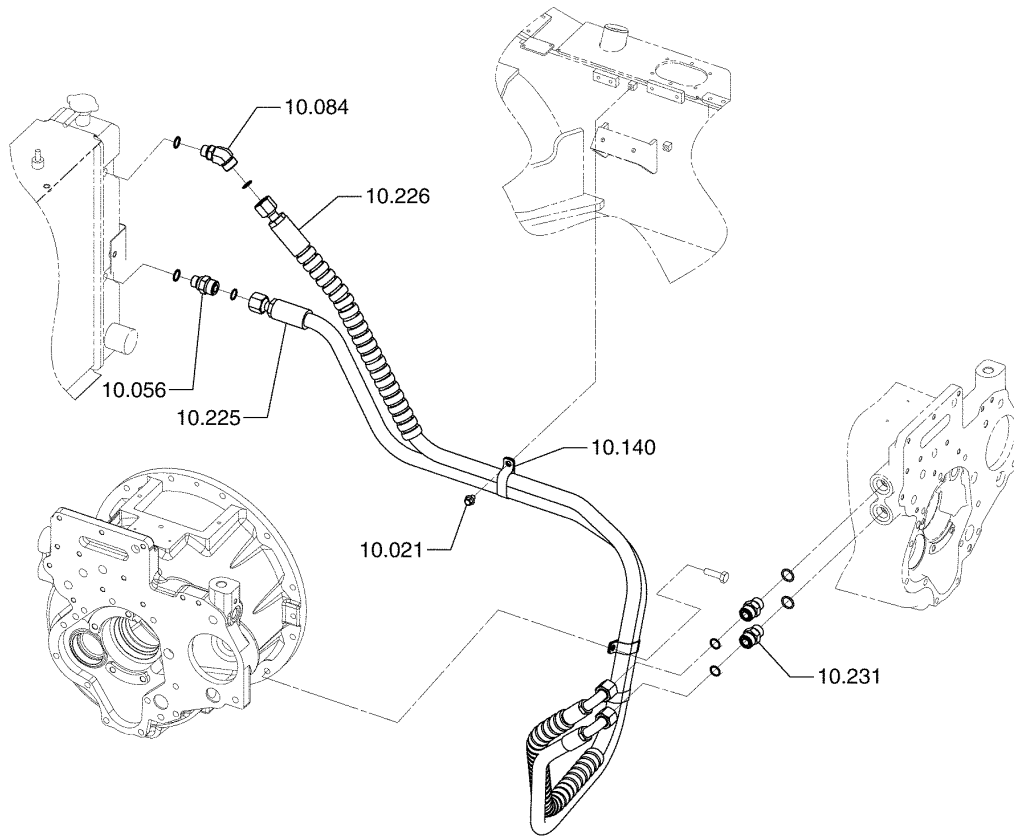
# CONVERTER HOUSING & CLUTCH ASSEMBLY



CONVERTER HOUSING & CLUTCH ASSEMBLY

05-165

# TRANSMISSION COOLING LINES

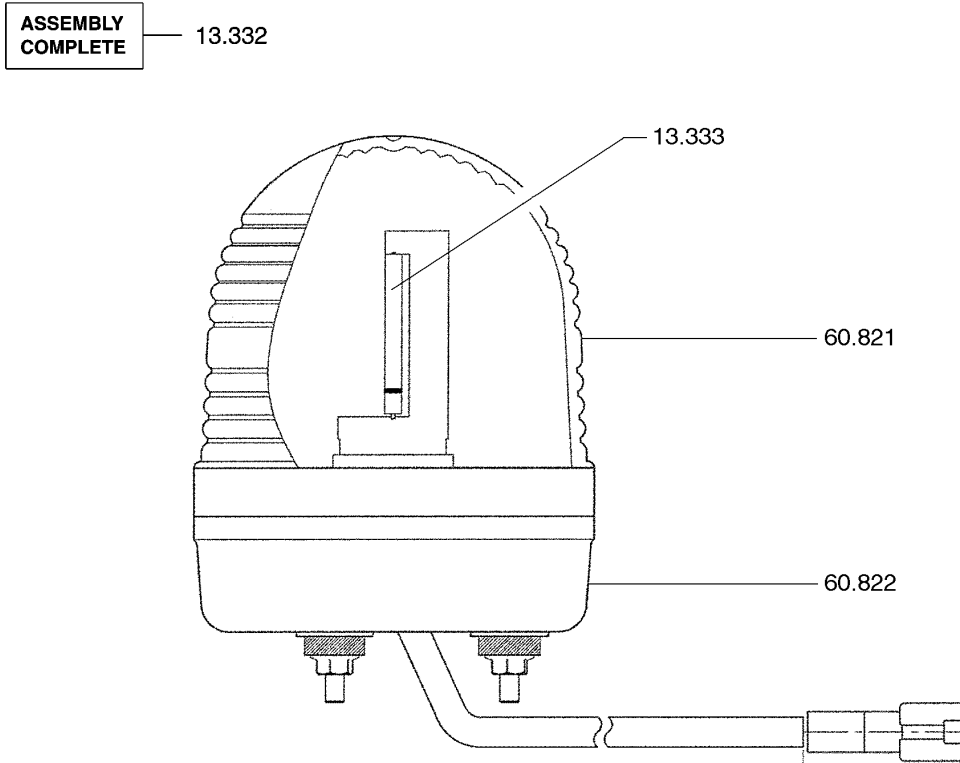


TRANSMISSION COOLING LINES

10-131

# STROBE LIGHT

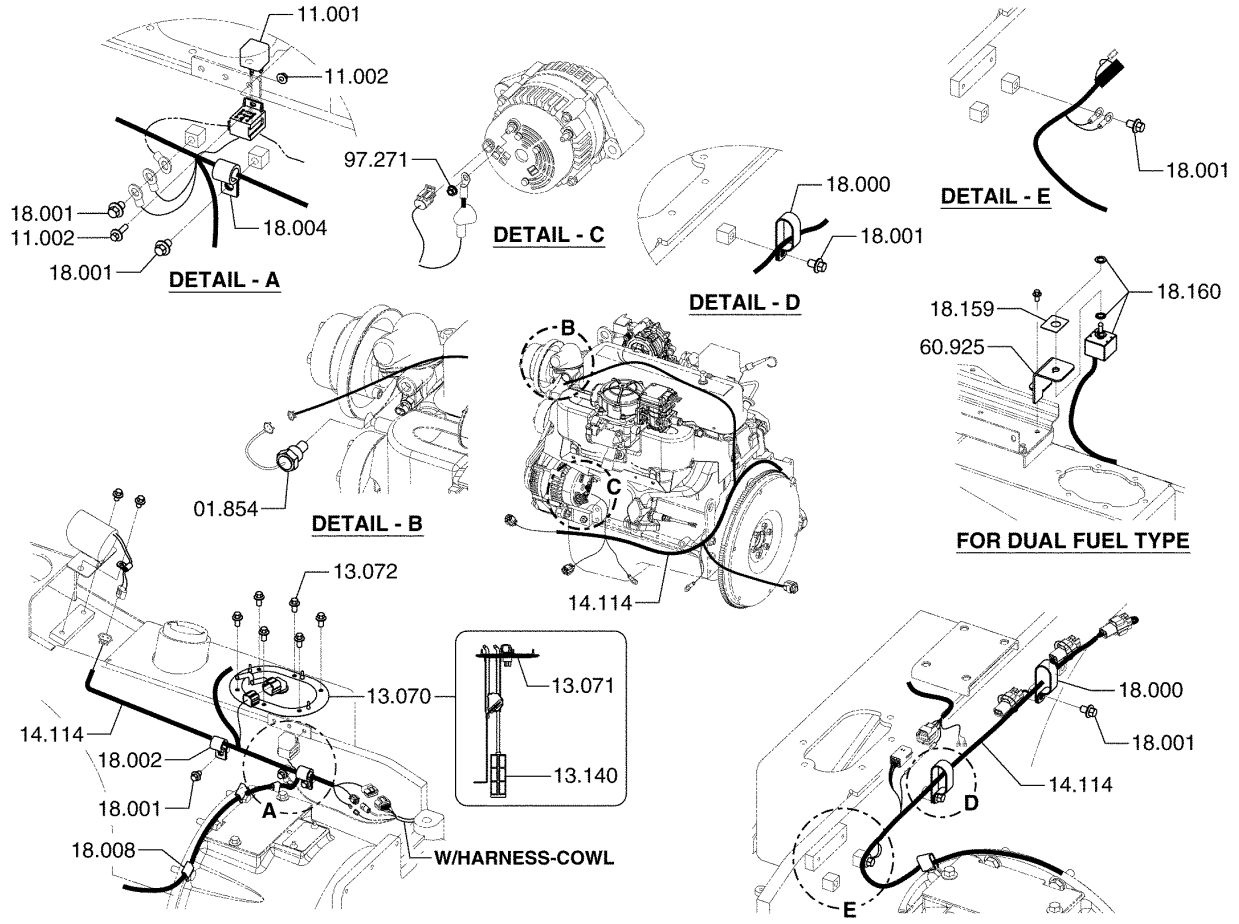
---



STROBE LIGHT

13-182

**ELECTRICAL WIRING (MAIN)**

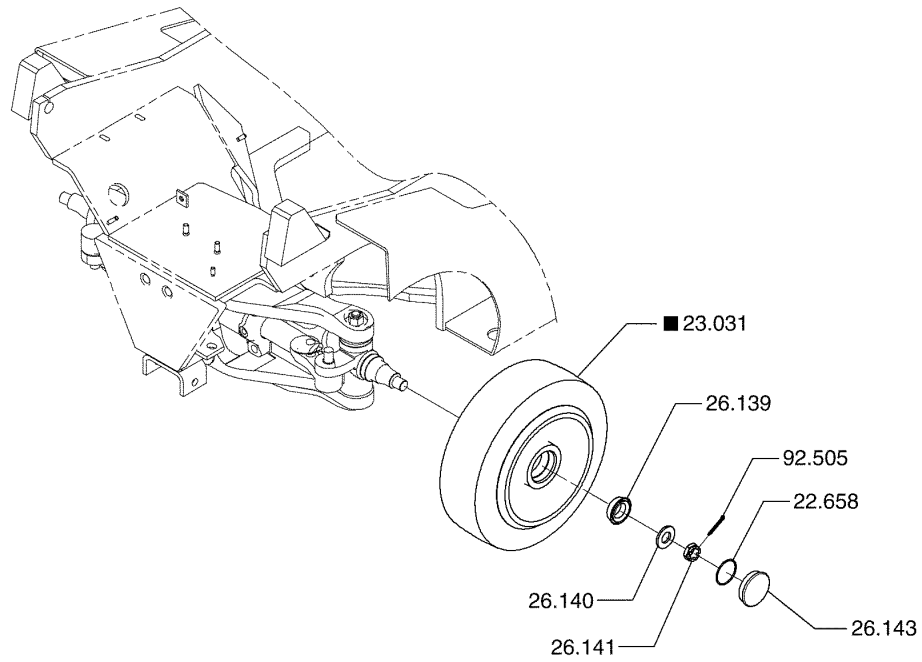


**ELECTRICAL WIRING (MAIN)**

**14-255**

# STEER WHEEL & TIRE MOUNTING

■ INDICATES AN ASSEMBLY  
HAVING SERVICEABLE  
COMPONENTS ILLUSTRATED  
ELSEWHERE



STEER WHEEL & TIRE MOUNTING

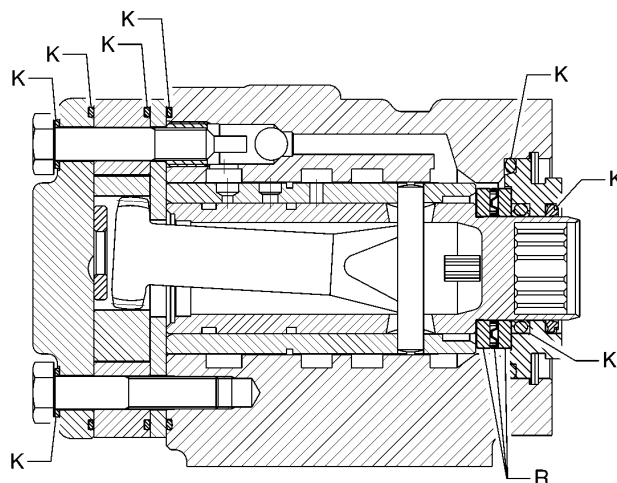
22-037

**STEERING UNIT**

**ASSEMBLY COMPLETE** — 25.150

**SEAL KIT INCLUDES ITEMS MARKED "K"** — 25.109

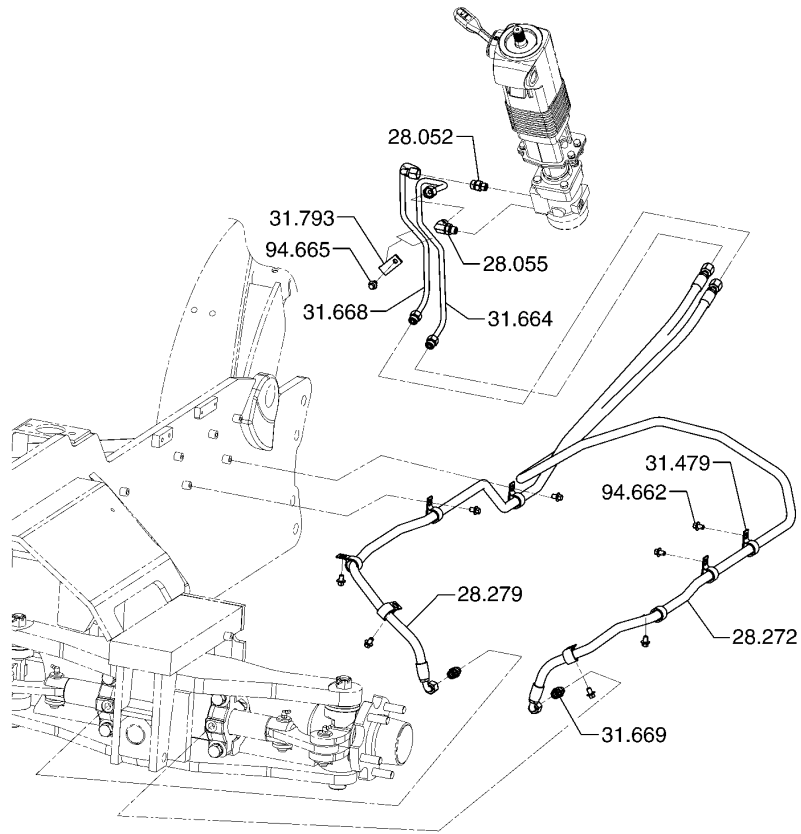
**NEEDLE BEARING KIT INCLUDES ITEMS MARKED "R"** — 25.972



**STEERING UNIT**

**25-076**

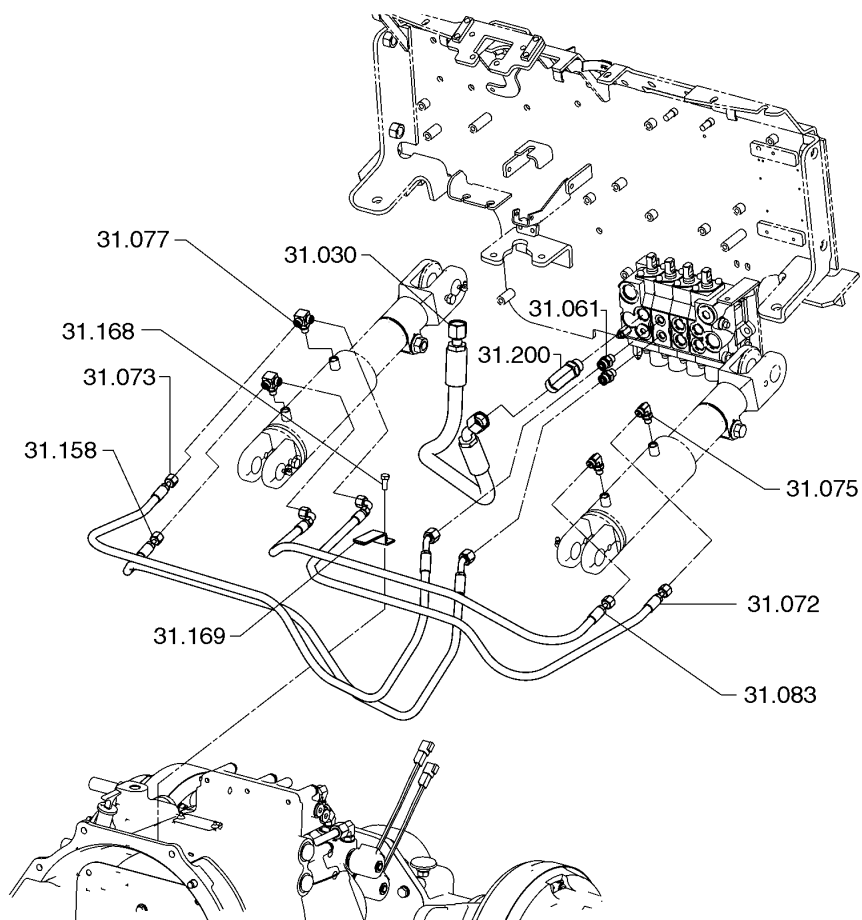
# STEERING LINES



STEERING LINES

26-306

# HYDRAULIC LIFT & TILT LINES

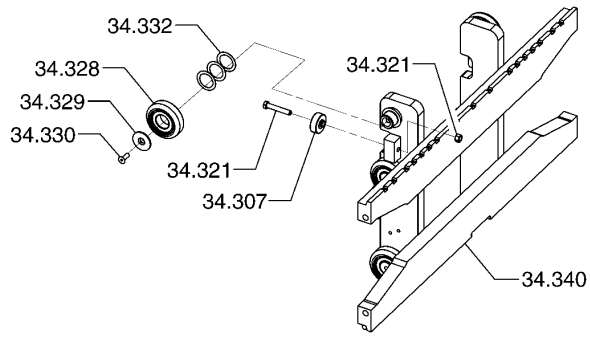


HYDRAULIC LIFT & TILT LINES

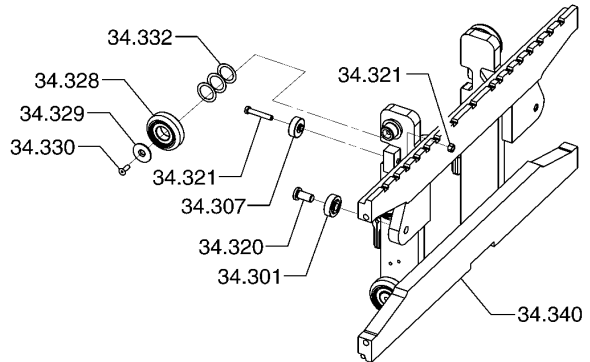
31-139

**CARRIAGE ASSEMBLY**

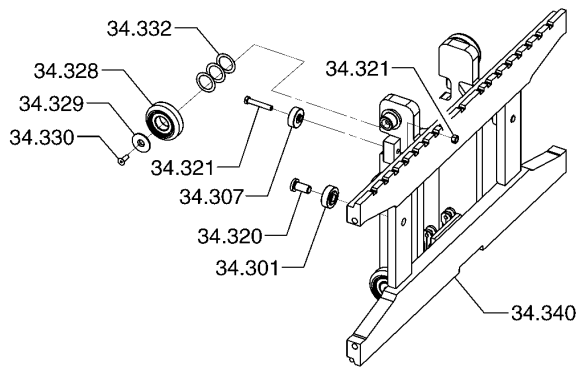
**ASSEMBLY COMPLETE** — 34.300



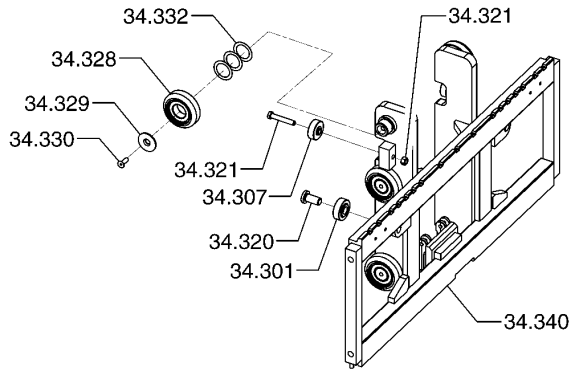
**TYPE - 1**



**TYPE - 2**



**TYPE - 3**



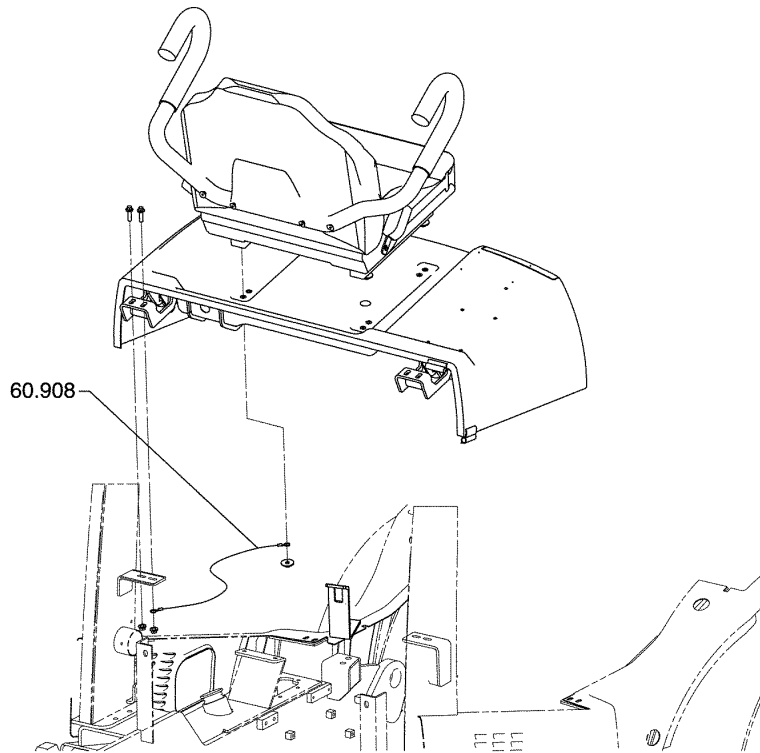
**TYPE - 4**

**CARRIAGE ASSEMBLY**

**34-103**

# LEAD WIRW GROUND

---



LEAD WIRE GROUND

39-012

CLICK HERE TO **DOWNLOAD** THE COMPLETE MANUAL

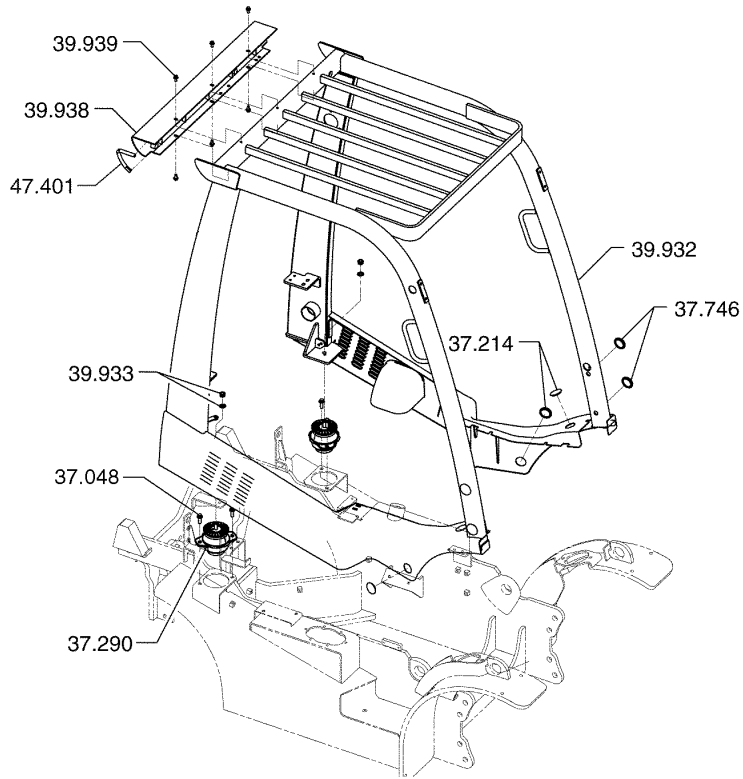
- Thank you very much for reading the preview of the manual.
- You can download the complete manual from: [www.heydownloads.com](http://www.heydownloads.com) by clicking the link below



- Please note: If there is no response to CLICKING the link, please download this PDF first and then click on it.

CLICK HERE TO **DOWNLOAD** THE COMPLETE MANUAL

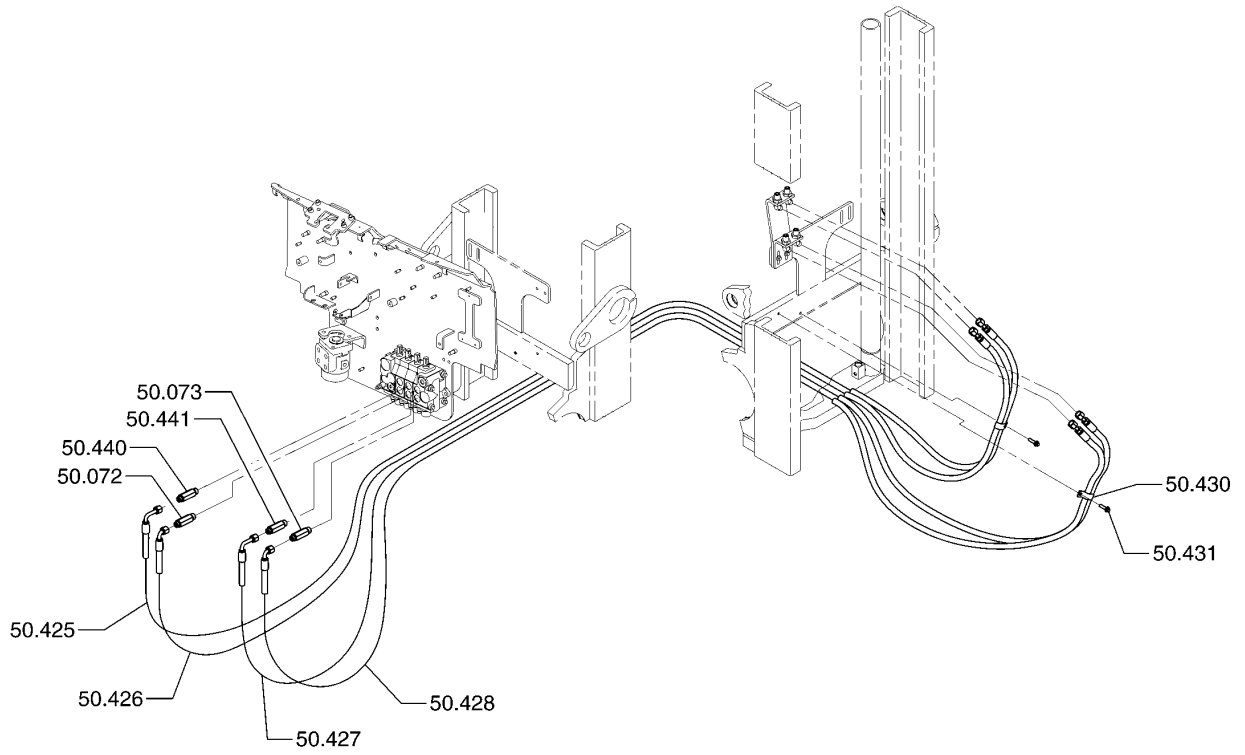
# OVERHEAD GUARD MOUNTING



OVERHEAD GUARD MOUNTING

39-977

# AUXILIARY VALVE LINES



AUXILIARY VALVE LINES

50-590



## CAMSHAFT

INDEX	PART NUMBER	PART NAME	NUMBER REQ	
	00000	1246030	ENGINE ASSEMBLY (DSL, TIRE-3, IDI, YANMAR)	1
	00504	931741	BOLT	2
	00508	931739	GEAR ASSEMBLY	1
	00511	931740	BUSHING	1
	00529	931738	IDLER SHAFT	1
	00650	931735	CAMSHAFT W/GEAR	1
[1]	00651	931734	PUSH ROD	8
	00652	931644	KEY	1
	00655	931736	PLATE	1
	00656	931676	BOLT	2
[2]	00677	931737	GEAR	1
	00707	931733	TAPPET	8
	02932	1240306	GEAR	1
	94954	1234788	SPRING WASHER	1
	94954	1234789	NUT	1

## PART NOTES:

- [1] - (PUSH)  
 [2] - (CAMSHAFT)

## WATER PUMP MOUNTING

---

INDEX	PART NUMBER	PART NAME	NUMBER REQ
00000	1246030	ENGINE ASSEMBLY (DSL, TIRE-3, IDI, YANMAR)	1
00100	1240907	GASKET KIT ENGINE	1
00668	1232029	PLUG ASSEMBLY-CRANKCASE	1
01405	931757	BOLT	4
01406	1240303	BELT - V	1
01417	1232170	PULLEY FAN	1
01430	1240304	PUMP WATER use 1248554 stk exh	1
01487	931810	HOSE RADIATOR	1
01493	931824	PLUG	1
01516	931741	BOLT	3
01582	1234905	COVER-WATER OUTLET	1
01586	931819	BOLT	2
01596	931818	THERMOSTAT	1
41473	1240905	Sensor	1

## FUEL LINES

---

INDEX	PART NUMBER	PART NAME	NUMBER REQ
00000	1246030	ENGINE ASSEMBLY (DSL, TIRE-3, IDI, YANMAR)	1
02177	1240344	LINE-FUEL FILTER INLET	1
02750	1241572	FILTER (FUEL)	1
02772	931819	BOLT	2
02805	1240345	CLAMP	2
02920	1240346	O-RING	1
02921	1240347	PLUG-FUEL FILTER SENSOR	1
02963	920665	FILTER SPIN ON FUEL	1
03100	1240349	ELEMENT FUEL FILTER	1
03187	1232037	CLAMP	2
03242	1240350	BODY-FUEL FILTER	1
03578	1240333	SENSOR-FUEL FILTER	1
62257	1240335	CLAMP	1

## T/M HYDRAULIC PUMP &amp; LUBRICATION LINES

INDEX	PART NUMBER	PART NAME	NUMBER REQ
05057	2820950	GEAR PUMP DRIVE	1
05148	2804291	PLUG	2
05261	2818777	FITTING TUBE	1
05525	47K000005	PLUG STEEL	2
06202	2792732	SCREEN TRANS OIL	1
06377	24K000011	PLUG STEEL	1
06447	2795879	PLUG	1
06522	8450057	SEAL KIT TRANSMISSION	1
06610	2792735	TUBE	1
06647	2818649	TUBE LUBE	1
06660	2799845	SOLENOID ASSY SEE NOTE TEXT	2
08260	8023228	TUBE	1
08373	2806235	DIPSTICK	1
08398	77K000214	O RING	1
09007	2795879	PLUG	1
10105	2786616	FILTER-SPIN ON OIL	1
10167	55E000808	ELBOW STEEL	1
10168	55E000806	ELBOW STEEL	1
20100	8109861	TRANSAXLE ASSEMBLY (SINGLE TIRE)	1
20510	03FM00040	EXPANSION PLUG	1
29100	8026956	PUMP HYDRAULIC	1
29106	07CM01240	CAPSCREW	2
29106	18EM01224	WASHER FLAT	2
29150	25K020400	O RING	1
31640	79K000016	O RING	1
31640	8003465	FITTING SUCTION	1
44055	69E000808	ELBOW STEEL	1
44170	2799846	COIL SOLENOID VALVE	2
44212	2799847	CARTRIDGE FLOW CONTROL	2
44301	1242164	KIT-SEAL	2
95082	NSS	Filter Unit, Fuel	1

## CONTROL COVER ASSEMBLY

INDEX	PART NUMBER	PART NAME	NUMBER REQ
05076	47K000006	PLUG STEEL	2
05515	2792742	SPOOL INCHING	1
06400	2823492	CONTROL VALVE-H200	1
06420	2795541	GUIDE	1
06425	2800232	PLUG	3
06426	47K000008	PLUG STEEL	1
06472	2804225	PLUG	1
06478	2792743	SPRING	1
06479	2794551	PIN	1
06480	2795570	RING RETAINING	1
06512	2794544	CAP LEVER	1
06513	2794565	SPRING	1
06514	2792748	ROD/INCHING	1
06522	8450057	SEAL KIT TRANSMISSION	1
06830	47K000008	PLUG STEEL	1
06832	2818523	SPRING	1
06837	2794549	PIN	1
06838	47K000006	PLUG STEEL	1
06839	79K000008	O RING 10	1
06843	2794557	PIN	1
06846	2794687	SPRING	1
06852	2794686	SPRING	1
09494	2792744	SPRING	1
10105	2786616	FILTER-SPIN ON OIL	1
10117	2794542	FITTING STEEL	1
44072	47K000006	PLUG STEEL	1
44145	2823490	SPOOL	1
44146	2794554	SPRING	1
44148	NSS	Filter Unit, Fuel	1
44345	NSS	Filter Unit, Fuel	1
44346	2794545	SPOOL TRANSMISSION	2
44347	2794546	SPRING	2
44348	2794560	WASHER	1
44349	2794564	PIN	1
44350	2794561	SPOOL TRANSMISSION NLA STK EX	1
44351	2794562	SPRING USE 2813931 STK EXH	1

## KEY & DIRECTIONAL SWITCH INSTALLATION

---

INDEX	PART NUMBER	PART NAME	NUMBER REQ	
	13047	8098697	SWITCH KEY-	1
[1]	14238	NSS	Filter Unit, Fuel	1
	14502	8057233	HARNESS WIRE	1
	60260	8098698	KEY-NO LOGO	1

PART NOTES:

[1] - (INCLUDED IN 14.502)

## ELECTRICAL WIRING (INSTRUMENT)

INDEX	PART NUMBER	PART NAME	NUMBER REQ	
	13000	8098043	INSTRUMENT POD USE 8103719	1
	13003	8081948	HORN 12V ELECT SEE TEXT	1
	13004	29CM00820	CAPSCREW-FLANGED HEAD	1
	13079	42DM00008	NUT FLANGE 10	4
	14352	2774049	FUSE 15 AMP	1
	14352	2778996	FUSE 20A	1
	14352	2795898	Fuse 5 AMP	1
	14352	2807084	FUSE 10 AMP	1
	14352	8001745	FUSE USE 4320885	1
	15433	8001650	GROMMET RUBBER	5
	15447	8001920	DIODE 3AMP	1
[1]	15640	8081915	Wire Harness-Cowl	1
	15710	8024132	RELAY 12V	3
	18009	29CM00812	BOLT	7
	18010	30H000041	CLIP	2
	18011	29CM00820	CAPSCREW-FLANGED HEAD	1
	18012	927938	CLIP	4
	18014	926724	CLIP	1
	18020	8001649	TIE, ADHESIVE	3
	60383	8026975	GROMMET	4
	65289	8022445	FUSE BOX BODY	1
	65832	8102979	COVER-FUSE BOX (WITH DECAL)	1
	95009	29CM00510	BOLT	3

## PART NOTES:

[1] - (WITH FUSE BOX)

**DRIVE WHEEL & TIRE (SOLID TYPE)**

---

<b>INDEX</b>	<b>PART NUMBER</b>	<b>PART NAME</b>	<b>NUMBER REQ</b>
22989	8113549	TIRE 7.00-12 USE 27400MPT	1
23009	8101884	WHEEL RIM	1
23030	8114202	WHEEL & TIRE ASSEMBLY (7.0X12 SOLID)	1

## STEER COLUMN & GEAR MOUNTING

INDEX	PART NUMBER	PART NAME	NUMBER REQ	
	05185	8003531	HOUSING	1
	06101	8003533	DIRECTIONAL LEVER ASSEMBLY	1
	13110	8027922	SWITCH	1
	13111	01EM00030	WASHER-PLAIN	2
	13111	03GM00320	SCREW	2
	13111	2799572	NUT-LOCK	1
	13130	29CM00620	CAPSCREW	1
[1]	13655	8077591	SWITCH-TURN SIGNAL	1
[1]	13656	8092599	BRACKET-TURN SIG	1
	25034	01C000612	BOLT	4
	25150	8036142	STEER UNIT use 8133673 stk exh	1
	25770	8003649	COLUMN ASSEMBLY UPPER	1
	25785	42DM00008	NUT FLANGE 10	4
	40002	2798506	DECAL SHIFT	1
	40069	2798507	DECAL DIRECTION	1
	44250	8003269	LEVER DIRECTION	1
	44251	2787928	BOOT RUBBER	1
[2]	44252	2783148	COVER PLASTIC order 1813263kit	1
[1]	44252	2806748	COVER PLASTIC	1
	44254	8003229	SCREW	4
	44255	2789060	BOOT RUBBER	1
[2]	44356	8092098	COVER-REAR - USE 8151617	1
[1]	44356	8092562	COVER-REAR use 8151615 stkexh	1
	60483	2782870	CLAMP	1
	60686	2822308	CONTACT RING use 8135998 STKEX	1
[1]	60773	8001931	WIRE HARNESS	1
[1]	60951	2806740	GROMMET RUBBER	1
	67017	8003532	FASTENER	2
	67018	8032540	Spring same as 2805580	1
[1]	96000	8003229	SCREW	2

## PART NOTES:

- [1] - (WITH TURN SIGNAL)  
 [2] - (WITHOUT TURN SIGNAL)

**STEER CYLINDER**

---

<b>INDEX</b>	<b>PART NUMBER</b>	<b>PART NAME</b>	<b>NUMBER REQ</b>
26000	8102214	CYLINDER STEER	1
26003	8450458	KIT SEAL	1
26089	1240356	TUBE ASSY	1
26090	1245141	ROD ASSEMBLY	1
26093	1242174	GLAND	2
26099	1239185	BUSHING-CYL	2

**HYDRAULIC LIFT & TILT LINES**

---

<b>INDEX</b>	<b>PART NUMBER</b>	<b>PART NAME</b>	<b>NUMBER REQ</b>
31030	8043759	HOSE, VALVE TO LIFT CYL	1
31061	52E000606	CONNECTOR STEEL	2
31072	8037289	HOSE ASSEMBLY	1
31073	8037290	HOSE ASSEMBLY	1
31075	55E000404	ELBOW STEEL	2
31077	8037237	CONNECTOR	2
31083	8037863	HOSE ASSEMBLY	1
31158	8037291	HOSE ASSEMBLY	1
31168	29CM00816	BOLT	1
31169	8037881	BRACKET	1
31200	55E000810	ELBOW STEEL	1

**LOAD BACK REST MOUNTING**

---

<b>INDEX</b>	<b>PART NUMBER</b>	<b>PART NAME</b>	<b>NUMBER REQ</b>
34998	925712	BOLT	4
66431	01EM00160	WASHER	4

**FRAME TANK BOTTOM PLUG**

---

<b>INDEX</b>	<b>PART NUMBER</b>	<b>PART NAME</b>	<b>NUMBER REQ</b>
38246	927567	PLUG MAGNETIC	1
38280	925783	O RING	1

**COWL MOUNTING**

---

<b>INDEX</b>	<b>PART NUMBER</b>	<b>PART NAME</b>	<b>NUMBER REQ</b>
37748	8086389	RUBBER MOUNT	2
39546	8086562	COWL ASSY	1
39547	18EM01224	WASHER FLAT	2
39547	40DM00012	NUT LOCK	2
96307	29CM01630	BOLT	4
97154	29CM01025	BOLT	4

## REAR HAND GRIP MOUNTING

---

INDEX	PART NUMBER	PART NAME	NUMBER REQ
47385	8071590	HAND GRIP W/HORN BUTTON ASSY	1
60968	8077177	WIRE HARNESS	1
97216	29CM00812	BOLT	2

**SIDESHIFT CYLINDER**

---

<b>INDEX</b>	<b>PART NUMBER</b>	<b>PART NAME</b>	<b>NUMBER REQ</b>
53020	8089880	CYLINDER SIDE SHIFT	1
53109	1232464	GLAND	2
53110	1232465	SEAL, SIDE SHIFTER CYL GLAND	2
53117	932493	BUSHING	2
53215	1244023	ELBOW SEE TEXT STK EXH	2
53676	NSS	Filter Unit, Fuel	1
54222	8450138	SEAL KIT S/S CYLINDER	1
54416	1241993	BARRELL-SS CYL	1
54556	19JM00065	BALL-STEEL	2
97241	15GM01010	SETSCREW	2

## PRIMARY CYLINDER ASSEMBLY

	INDEX	PART NUMBER	PART NAME	NUMBER REQ	
	[1]	34400	8083837	PRIMARY CYL ASSY(3860)	1
	[2]	34400	8083839	CYLINDER LIFT	1
	[3]	34400	8083840	CYLINDER LIFT	1
	[4]	34400	8083843	CYLINDER-LIFT	1
	[5]	34400	8083845	CYLINDER ASSY-PRI	1
	[6]	34400	8083847	CYLINDER ASSY	1
	[7]	34400	8083848	CYLINDER ASSY	1
	[8]	34400	8083849	PRIMARY CYLINDER ASSY	1
	[9]	34400	8083850	CYLINDER ASSY	1
	[10]	34400	8083851	PRIMARY CYL ASSY(7315)	1
	[11]	34400	8083862	CYLINDER ASSY	1
	[12]	34400	8083864	PRIMARY CYLINDER ASSY	1
	[13]	34400	8084152	PRIMARY CYLINDER ASSY	1
		34401	1244261	TUBE ASSEMBLY	1
		34401	1244263	TUBE ASSY	1
		34401	1244264	BARREL-CYLINDER LIFT	1
		34401	1244267	TUBE ASSEMBLY	1
		34401	1244269	TUBE ASSY	1
		34401	1244271	TUBE ASSY	1
		34401	1244272	TUBE ASSY	1
		34401	1244273	TUBE ASSY	1
		34401	1244274	TUBE ASSY	1
		34401	1244275	TUBE ASSY	1
		34401	1244286	TUBE ASSY	1
		34401	1244288	TUBE ASSEMBLY	1
		34401	1244289	TUBE ASSY	1
		34402	8450431	KIT-SEAL CYL Use 8450565 stkex	1
		34475	1237460	ROD ASSEMBLY	1
		34475	1237461	ROD ASSY	1
		34475	1237462	ROD ASSEMBLY	1
		34475	1237464	ROD ASSEMBLY	1
		34475	1237465	ROD ASSEMBLY	1
		34475	1237481	ROD ASSY	1
		34475	1237482	ROD ASSY	1
		34475	1237483	ROD ASSY	1
		34475	1237484	ROD ASSY	1
		34475	1237485	ROD ASSEMBLY	1
		34475	1239734	ROD ASSY	1
		34475	1241604	ROD ASSY	1
		34475	1241605	ROD ASSY	1
		34476	1237106	DU BUSH	1
		34478	1238548	BUSHING, ROD (GLAND)	1
		34864	2802005	VALVE CHECK	1
		34867	659041	RING RETAINER	1
		96274	2802006	WASHER	1

## PART NOTES:

- [1] - (MFH 3860MM)  
 [2] - (MFH 4320MM)  
 [3] - (MFH 4800MM)

9948-66-235

## OIL PUMP &amp; PAN

INDEX	PART NUMBER	PART NAME	NUMBER REQ
00000	8103102	ENGINE ASSY-GM 3.0 T4	1
00410	1243810	PLUG use 924979	1
01074	1243674	Washer-Plain	1
01074	922746	OIL PAN NUT	1
01074	922760	BOLT	10
01075	924972	PAN OIL	1
01079	922760	BOLT	12
01085	924980	GASKET OIL PAN	1
01099	922188	PLUG	1
01100	922187	GASKET	1
01700	924981	PUMP OIL	1
01702	1243787	BOLT	3
01703	924976	OIL PUMP COVER	1
01704	1243674	Washer-Plain	4
01704	924974	SCREW	4
01706	924991	SCREEN OIL PUMP	1
01708	924978	PRESSURE SPRING	1
01715	924977	GASKET-OIL PUMP	1
01759	1243816	BRACKET	1
01855	1242376	SENDER-OIL PRESSURE	1
01856	1244321	TEE	1
62173	1242446	SWITCH-PRESSURE	1
62237	1244322	ADAPTOR-THERM HSG	1
62238	1244328	NIPPLE	1
97132	1243652	PIN - PRESSURE RELIEF VALVE	1
97132	1243818	WASHER	1
97132	924986	BOLT	1
97132	924989	NUT	1

## LPG TANK MOUNTING

---

INDEX	PART NUMBER	PART NAME	NUMBER REQ
02011	01EM00200	WASHER	2
02011	07CM20100	CAPSCREW	2
02017	8054682	BRACKET	1
02020	904477	LPG TANK USE 2310234	1
02020	930363	LPG TANK use 925286	1
39486	04DM00010	NUT	1
39486	8092317	BOLT	1
62003	925371	CLAMP	2
62007	8109144	SPACER	2
62308	8115836	DAMPENER	2
62309	8115837	DAMPENER	4

## T/M HYDRAULIC PUMP &amp; LUBRICATION LINES

INDEX	PART NUMBER	PART NAME	NUMBER REQ	
	05057	2820950	GEAR PUMP DRIVE	1
	05148	2804291	PLUG	2
	05261	2818777	FITTING TUBE	1
	05525	47K000005	PLUG STEEL	2
	06202	2792732	SCREEN TRANS OIL	1
	06377	24K000011	PLUG STEEL	1
	06447	2795879	PLUG	1
	06610	2792735	TUBE	1
	06647	2818649	TUBE LUBE	1
	06660	2799845	SOLENOID ASSY SEE NOTE TEXT	2
	08260	8023228	TUBE	1
	08373	2806235	DIPSTICK	1
	08398	25K040100	O RING 5	1
	09007	2795879	PLUG	1
	10105	2786616	FILTER-SPIN ON OIL	1
	10167	55E000808	ELBOW STEEL	1
	10168	55E000806	ELBOW STEEL	1
	20100	8109848	TRANSAXLE ASSEMBLY (SINGLE TIRE)	1
	20510	03FM00040	EXPANSION PLUG	1
	29100	8026957	PUMP HYDRAULIC	1
	29106	07CM01240	CAPSCREW	2
	29106	18EM01224	WASHER FLAT	2
	29150	8064559	O RING 90 DURO VITON	1
	31640	79K000016	O RING	1
	31640	8003465	FITTING SUCTION	1
	44055	69E000808	ELBOW STEEL	1
	44170	2799846	COIL SOLENOID VALVE	2
	44212	2799847	CARTRIDGE FLOW CONTROL	2
[1]	44301	1242164	KIT-SEAL	2
	95082	NSS	Filter Unit, Fuel	1

## PART NOTES:

[1] - (SOLENOID VALVE)

## CONTROL COVER ASSEMBLY

INDEX	PART NUMBER	PART NAME	NUMBER REQ
05076	47K000006	PLUG STEEL	2
05515	2792742	SPOOL INCHING	1
06400	2823492	CONTROL VALVE-H200	1
06420	2795541	GUIDE	1
06425	2800232	PLUG	3
06426	47K000008	PLUG STEEL	1
06472	2804225	PLUG	1
06478	2792743	SPRING	1
06479	2794551	PIN	1
06480	2795570	RING RETAINING	1
06512	2794544	CAP LEVER	1
06513	2794565	SPRING	1
06514	2792748	ROD/INCHING	1
06830	47K000008	PLUG STEEL	1
06832	2818523	SPRING	1
06837	2794549	PIN	1
06838	47K000006	PLUG STEEL	1
06839	79K000008	O RING 10	1
06843	2794557	PIN	1
06846	2794687	SPRING	1
06852	2794686	SPRING	1
09494	2792744	SPRING	1
10105	2786616	FILTER-SPIN ON OIL	1
10117	2794542	FITTING STEEL	1
44072	47K000006	PLUG STEEL	1
44145	2823490	SPOOL	1
44146	2794554	SPRING	1
44148	NSS	Filter Unit, Fuel	1
44345	NSS	Filter Unit, Fuel	1
44346	2794545	SPOOL TRANSMISSION	2
44347	2794546	SPRING	2
44348	2794560	WASHER	1
44349	2794564	PIN	1
44350	2794561	SPOOL TRANSMISSION NLA STK EX	1
44351	2794562	SPRING USE 2813931 STK EXH	1

## BATTERY MOUNTING

---

INDEX	PART NUMBER	PART NAME	NUMBER REQ
-------	----------------	-----------	---------------

**ELECTRICAL WIRING (MAIN)**

---

<b>INDEX</b>	<b>PART NUMBER</b>	<b>PART NAME</b>	<b>NUMBER REQ</b>
01854	904206	SENDER-ENG TEMP	1
11001	8024132	RELAY 12V	1
11002	29CM00510	BOLT	1
11002	42DM00005	NUT FLANGE	1
14114	8079055	HARNESS-WIRE	1
18000	925745	CLIP	2
18001	29CM00812	BOLT	9
18002	31H000046	CLAMP	1
18004	926724	CLIP	1
18008	925694	CLIP USE 30H000059	2
97271	42DM00008	NUT FLANGE 10	1

**STEER WHEEL & TIRE MOUNTING**

---

<b>INDEX</b>	<b>PART NUMBER</b>	<b>PART NAME</b>	<b>NUMBER REQ</b>
22658	25K030204	O RING	2
23031	8101854	WHEEL & TIRE ASSEMBLY (16X6X10.5 CUSHION)	1
26139	712099	BEARING CONE (AA)	2
26140	100588	WASHER 5	2
26141	31DM00024	NUT CASTLE	2
26143	2804751	CAP HUB	2
92505	13JM00550	PIN COTTER	2

**STEERING UNIT**

---

<b>INDEX</b>	<b>PART NUMBER</b>	<b>PART NAME</b>	<b>NUMBER REQ</b>
25109	929059	KIT SEAL	1
25150	8036142	STEER UNIT use 8133673 stk exh	1
25972	929058	BEARING KIT NEEDLE	1

## STEER AXLE MOUNTING

---

INDEX	PART NUMBER	PART NAME	NUMBER REQ
26100	8103404	AXLE ASSEMBLY STEER	1
26174	2806278	MOUNT	2
26176	29CM01650	CAPSCREW	4
38047	8065869	PLATE	2

**HYDRAULIC SUPPLY LINES**

---

<b>INDEX</b>	<b>PART NUMBER</b>	<b>PART NAME</b>	<b>NUMBER REQ</b>
28291	55E001010	ELBOW STEEL	1
28397	2393128	CHECK VAL	1
28800	79K000012	O RING	1
28806	58K000016	O RING 10	1
28847	2789692	HOSE HYDRAULIC	1
30952	2804228	CAP RUBBER DUST	1
31006	1245932	HOSE (L=900MM)	1
31007	42H000024	CLAMP HOSE	2
31036	8083592	FITTING	1
31115	8039042	HOSE ASSEMBLY	1
31150	69E000404	ELBOW STEEL	1
31422	8036123	HOSE ASSEMBLY	1
31448	55E000608	ELBOW STEEL	1
31480	2804227	FITTING STEEL	1
31865	8086351	BRACKET/COVER-HOSE	1
95236	01EM00080	WASHER	1
95236	07CM00825	BOLT	1

**CARRIAGE ASSEMBLY**

---

<b>INDEX</b>	<b>PART NUMBER</b>	<b>PART NAME</b>	<b>NUMBER REQ</b>
34300	8007853	CARRIAGE ASSEMBLY (41MC32,HOOK)	1
34301	2359625	BEARING ROLLER	2
34307	2803436	BEARING MAST ROLLER	2
34320	2359626	SHAFT	2
34321	01DM00012	NUT	2
34321	04CM01270	CAPSCREW	2
34328	2801859	BEARING MAST ROLLER STD	1
34328	2803437	BEARING MAST ROLLER OS	1
34329	2361264	WASHER	2
34330	2361263	SCREW	2
34332	2359551	SHIM	1
[1] 34340	8007850	CARRIAGE WELDMENT-41MC32	1

## PART NOTES:

[1] - (TYPE 3)

**FRAME TANK BOTTOM PLUG**

---

<b>INDEX</b>	<b>PART NUMBER</b>	<b>PART NAME</b>	<b>NUMBER REQ</b>
38246	927567	PLUG MAGNETIC	1
38280	925783	O RING	1

**POD INSTALLATION**

---

<b>INDEX</b>	<b>PART NUMBER</b>	<b>PART NAME</b>	<b>NUMBER REQ</b>
13000	8098043	INSTRUMENT POD USE 8103719	1
37250	8099122	COVER-LOWER POD	1
39510	8098198	COVER-INSTRUMENT POD	1

## HIGH TERMINATION FOR DEVICE HOSE ADAPTION

---

	INDEX	PART NUMBER	PART NAME	NUMBER REQ
[1]	59134	2819252	TUBE HYDRAULIC	1
[1]	59135	2819251	TUBE HYDRAULIC	1
[1]	59136	2819249	TUBE ASSEMBLY	1
[1]	59137	2819250	TUBE ASSEMBLY	1
	59142	2804352	FITTING	4
	59143	36K000006	CAP	4
	59145	58K000014	O RING 10	4
	59146	58K000012	O RING	4
	97235	29CM00820	CAPSCREW-FLANGED HEAD	4
	97238	61E000008	NUT STEEL FITTING	4

## PART NOTES:

[1] - (TYPE 1)

## SECONDARY CYLINDER ASSEMBLY

INDEX	PART NUMBER	PART NAME	NUMBER REQ	
	66395	2802005	VALVE CHECK	1
	66397	2802006	WASHER	1
	66398	659041	RING RETAINER	1
[1]	66400	8050823	SECONDARY CYLINDER ASSEMBLY	2
[2]	66400	8050825	SECONDARY CYLINDER ASSEMBLY	2
[3]	66400	8050828	SECONDARY CYLINDER ASSEMBLY	2
[4]	66400	8050829	SECONDARY CYLINDER ASSEMBLY	2
[5]	66400	8050831	SECONDARY CYLINDER ASSEMBLY	2
	66401	1237487	TUBE ASSY	1
	66401	1237488	TUBE ASSY	1
	66401	1237490	TUBE ASSEMBLY	1
	66401	1237491	TUBE ASSY	1
	66401	1237492	TUBE ASSY	1
	66402	8450343	SEAL KIT	1
	66403	1237510	ROD ASSEMBLY	1
	66403	1237511	ROD ASSY	1
	66403	1237513	ROD ASSEMBLY	1
	66403	1237514	ROD ASSEMBLY	1
	66403	1237515	ROD ASSY	1
	66413	2813588	SPACER	1
	66413	2813589	SPACER	1

### PART NOTES:

- [1] - (MFH 3700MM)
- [2] - (MFH 4160MM)
- [3] - (MFH 4501MM)
- [4] - (MFH 5050MM)
- [5] - (MFH 5166MM)

## CRANKSHAFT / CAMSHAFT

---

INDEX	PART NUMBER	PART NAME	NUMBER REQ
01125	1243806	Dipsick	1
01248	1242443	PLUG-HEX	1
01259	924950	BYPASS VALVE	1
01307	1243864	FILTER-ENG OIL SEE TEXT	1
01353	924951	FILTER FITTING	1
01467	1243879	BUSHING	1
01494	928953	TUBE DIPSTICK	1
01737	924939	O/PMP DR/SHAFT BRG.	1
02212	1243790	NOZZLE	1
62138	1243882	SENSOR-CRANKSHAFT POSITION	1
62140	1243844	BOLT	1
62143	924949	CAMSHAFT BRG.	1
62144	924949	CAMSHAFT BRG.	1
62145	924949	CAMSHAFT BRG.	1
62146	924949	CAMSHAFT BRG.	1
62218	1243781	DOWEL-CRANKSHAFT	2
62230	925003	COVER	1
62231	925004	RTV SEALER	1
97127	1243640	PIN - CYLINDER HEAD LOCK	8
97128	925000	BOLT	4
97129	1243641	PLUG	2
97130	1243764	WASHER	3
97130	925012	STUD	1
97130	925013	NUT	1

## COOLING SYSTEM

INDEX	PART NUMBER	PART NAME	NUMBER REQ
01130	8056305	BRACKET-RADIATOR	1
01151	8068083	GUARD-FAN	1
01193	8041978	ISOLATOR-RAD MTG USE 8141909	2
01194	8010015	ISOLATOR	2
01381	8076134	FAN ENGINE USE 8135406 stk exh	1
01416	8090509	SPACER-FAN	1
01465	02C000524	CAPSCREW	4
01465	08EM00080	LOCKWASHER	4
01520	8089051	TANK-RESERVOIR	1
01521	8001249	CAP PLASTIC TANK	1
01523	8001250	HOSE PICK UP	1
01526	8074224	WINDGUARD	1
01528	925648	CLIP	1
01529	925724	CLAMP	3
01530	8001251	HOSE OVERFLOW	1
01537	8001076	ISOLATOR-RUBBER MTG	2
01547	1245138	DRAIN COCK	1
01547	933145	PLUG DRAIN	1
01550	8046085	RADIATOR	1
01550	8094117	RADIATOR ASSY	1
01555	8001094	HOSE OVERFLOW	1
01559	2800956	WASHER FLAT	2
01559	29CM00616	BOLT	2
01559	29CM00816	BOLT	2
01559	8029035	WASHER	2
01561	29CM00816	BOLT	2
01563	01DM00008	NUT	2
01563	18EM00816	WASHER FLAT	2
01563	29CM00845	BOLT	2
01570	1245137	CAP RADIATOR USE 8109779STKEXH	1
01570	926014	CAP RADIATOR use 1252498	1
01577	8086046	HOSE-RAD UPPER	1
01579	8038577	Hose Clamp USE 42H000028 STKEX	1
01600	8086047	HOSE-RAD LOWER	1
01601	8038577	Hose Clamp USE 42H000028 STKEX	1
01640	29CM00816	BOLT	2
01660	8090252	SHROUD	1
01660	8097572	SHROUD	1
01699	8038577	Hose Clamp USE 42H000028 STKEX	2
90424	8000547	WASHER	2
94870	29CM01020	BOLT	2
95403	18EM00617	WASHER FLAT	3
95403	29CM00616	BOLT	3
95403	30CM00616	BOLT	2
95403	8029035	WASHER	2

## FUEL LINES

INDEX	PART NUMBER	PART NAME	NUMBER REQ
00000	8103102	ENGINE ASSY-GM 3.0 T4	1
00970	1243897	MIXER	1
01626	1243910	FITTING-ENGINE	1
01627	1242388	HOSE-MOLDED	1
01631	1243910	FITTING-ENGINE	1
01687	1243879	BUSHING	1
01848	1242387	SPLIT LOOM	1
02050	1242420	LOCKOFF VALVE-FUEL	1
02052	1242391	CLAMP-HOSE	3
02180	1243886	HOSE	1
02188	1243958	BOLT	4
02390	1243889	FITTING	1
02601	1242392	VAPORIZER	1
02805	1242413	CLAMP	2
03022	1243900	BRACKET-VAPORIZER	1
03307	1242419	FITTING-LOCKOFF VLV	1
03311	1242418	FITTING-LOCKOFF VLV	1
03322	1243899	BRACKET	1
03326	1243955	BOLT	1
03326	1243961	NUT	1
03396	936132	KIT-FILTER	1
03684	1243885	ORING	1
03761	1243935	BOLT	4
03761	1243950	WASHER	4
03826	1243881	GASKET	1
03829	1243711	THROTTLE - SHORT BORE 12.5MM	1
62147	1242400	FITTING-EPR	1
62149	1242402	REGULATOR-DPR TIER 4	1
62150	1242403	PLUG	2
62151	1242404	BOLT	4
62152	1242405	STUD	4
62153	1242406	NUT	4
62221	1243888	DAMPENER-VIBR	3
62225	1243894	ADAPTOR	1
62252	936373	ORING	1
62253	936374	QUAD RING	1
62255	936380	SEAL RING-ENG	1
94884	1242348	BOLT-STARTER COVER	2

**CONVERTER HOUSING & PUMP DRIVE**

---

<b>INDEX</b>	<b>PART NUMBER</b>	<b>PART NAME</b>	<b>NUMBER REQ</b>
05021	2800259	BEARING BALL	1
05030	2820992	GEAR	1
05033	2800257	SUPPORT STATOR	1
05034	07CM01030	BOLT	4
05034	18EM01019	WASHER FLAT	4
05130	2787370	SHAFT	1
05133	2820948	GEAR & BEARING ASSY	1
05136	2801311	BUSHING	1
05233	47K000006	PLUG STEEL	1
05533	2795881	PLUG	1
06400	2823492	CONTROL VALVE-H200	1
06423	01CM00870	CAPSCREW	7
06423	18EM00816	WASHER FLAT	7
06471	8082351	HOUSING-CONVERTER	1
06522	8450057	SEAL KIT TRANSMISSION	1
06716	01CM00890	CAPSCREW	3
06716	18EM00816	WASHER FLAT	3
06954	2806757	DOWEL	6
06977	2800260	BEARING NEEDLE	1
20100	8109848	TRANSAXLE ASSEMBLY (SINGLE TIRE)	1

**TRANSAXLE MOUNTING**

---

<b>INDEX</b>	<b>PART NUMBER</b>	<b>PART NAME</b>	<b>NUMBER REQ</b>
07007	01EM00200	WASHER	8
07007	06EM00200	LOCKWASHER	8
07007	07CM02070	CAPSCREW	8
07007	2812030	NUT	8
07012	01C000624	BOLT	4
07012	18EM01019	WASHER FLAT	4
07013	17C000616	BOLT	6
07013	18EM01019	WASHER FLAT	6
07014	01C000636	CAPSCREW	2
07014	18EM01019	WASHER FLAT	2
07038	8092303	SPONGE	1
20100	8109848	TRANSAXLE ASSEMBLY (SINGLE TIRE)	1

## KEY & DIRECTIONAL SWITCH INSTALLATION

---

INDEX	PART NUMBER	PART NAME	NUMBER REQ	
	13047	8098697	SWITCH KEY-	1
[1]	14238	NSS	Filter Unit, Fuel	1
	14502	8057233	HARNESS WIRE	1
	60260	8098698	KEY-NO LOGO	1

PART NOTES:

[1] - (INCLUDED IN 14.502)

## DRIVE AXLE

---

INDEX	PART NUMBER	PART NAME	NUMBER REQ
06522	8450057	SEAL KIT TRANSMISSION	1
20100	8109848	TRANSAXLE ASSEMBLY (SINGLE TIRE)	1
20513	16EM00075	WASHER LOCK	2
20514	2805537	NUT	2
20539	8022462	Axle Support RH	1
20540	8022461	Axle Support LH	1
20571	2800270	BEARING CONE	2
20575	2800269	BEARING CUP	2
20581	2805539	HUB	2
20582	2823768	DRUM	2
20608	1316482	BEARING CONE (AA)	2
20612	1316483	BEARING CUP	2
20627	2800889	BREATHER SCREW IN	1
20859	8034897	HOUSING-DIFFERETIAL	1
23246	111656	BAR SIDE	10
23246	2812029	STUD	10
23246	86D000012	NUT LOCK	10
20386	2787388	WASHER	2
23730	07CM01440	CAPSCREW	16
23730	18EM01426	WASHER-FLAT	16

## BRAKE ASSEMBLY RH

INDEX	PART NUMBER	PART NAME	NUMBER REQ
22088	932584	RETAINER	1
22174	932585	WASHER LOCK	1
22194	8034588	SPRING	2
22195	8034587	CUP	4
22196	8034586	Pin 2	2
22900	8034590	CABLE PARK BRAKE	1
23048	932576	SPRING	1
23215	8034578	CYLINDER WHEEL	1
23223	8026166	bleeder screw use 8002344	1
23237	932586	Cover	1
23239	932583	Guide Plate	1
23243	8034577	PLATE BACKING RH	1
23244	8034553	BRAKE ASSEMBLY RH	1
23247	8034579	BRAKE SHOE & LINING RH (AA)	1
23250	932575	SPRING BRAKE	1
23259	8034589	Bolt & Washer	2
23263	8034584	LEVER, BRAKE	1
23298	932572	Strut RH	1
23389	932654	RETAINER	1
23475	8034582	SPRING ADJUSTER	1
23546	932568	SPRING & CABLE	1
23548	932577	SHEAVE	1
23551	8034583	LEVER	1
23553	932567	SPRING	1
23738	932573	SPRING BRAKE	1
23738	932574	SPRING BRAKE	1
23747	932573	SPRING BRAKE	1
23747	932574	SPRING BRAKE	1
24404	1242162	BLEEDER CAP	1
97344	932653	WASHER	1

**STEERING UNIT**

---

<b>INDEX</b>	<b>PART NUMBER</b>	<b>PART NAME</b>	<b>NUMBER REQ</b>
25109	929059	KIT SEAL	1
25150	8036142	STEER UNIT use 8133673 stk exh	1
25972	929058	BEARING KIT NEEDLE	1

**STEER CYLINDER**

---

<b>INDEX</b>	<b>PART NUMBER</b>	<b>PART NAME</b>	<b>NUMBER REQ</b>
26000	8102214	CYLINDER STEER	1
26003	8450360	KIT-STR CYLINDER SEAL	1
26003	8450458	KIT SEAL	1
26089	1240356	TUBE ASSY	1
26090	1240355	ROD ASSY	1
26090	1245141	ROD ASSEMBLY	1
26093	1240354	GLAND	2
26093	1242174	GLAND	2
26099	1239185	BUSHING-CYL	2

## HYDRAULIC VALVE MOUNTING (4 SPOOL)

INDEX	PART NUMBER	PART NAME	NUMBER REQ	
	30000	8073944	VALVE ASSY 3SPL OPS 20/30	1
	30000	8073946	MAIN VALVE ASSEMBLY-4SP (20/30)	1
[1]	30000	8079229	VALVE 3 SPL	1
	30033	8009648	CAPSCREW SAME AS 29CM01020	2
	30087	8003637	Pin	1
	30089	8003014	LEVER VALVE	1
	30090	8003017	LEVER VALVE	1
	30094	8003127	KNOB ASSY	1
	30097	8003127	KNOB ASSY	1
	30256	8003127	KNOB ASSY	1
	30362	8060796	CAPSCREW	1
	30642	2804731	DECAL-CAP (AUXILIARY2)	1
	30787	8003024	BOOT	3
	30817	8003127	KNOB ASSY	1
	30843	8003011	Single Aux Lever	1
	30844	8003007	Double Aux Lever	1
	49042	2788472	KNOB TILT CAP	1
	49081	2788471	CAP LIFT KNOB	1
	49083	2788473	SS CAP	1
	49083	2804730	CAP AUX KNOB	1
	49102	29CM00816	BOLT	1
	49103	2816751	COTTER PIN	1
	49104	14JM01025	PIN CLEVIS	6
	49105	2789860	RING COTTER	6
	49109	8003298	Rod ASSY	3

## PART NOTES:

[1] - (3 SPOOL)(20/30)

## HYDRAULIC RETURN LINES

---

INDEX	PART NUMBER	PART NAME	NUMBER REQ
28033	1326062	FITTING	1
28506	8036339	Hose	1
28506	930611	hose lh	1
28914	52E001212	ADAPTER	1
31387	42H000016	CLAMP HOSE	2
31445	8003115	TEE	1
31445	8110467	TEE	1
31595	42H000006	CLAMP HOSE	2
31595	925724	CLAMP	2
31827	1245444	SUCTION TUBE	1
31827	8003231	HOSE	1

**CARRIAGE ASSEMBLY**

---

<b>INDEX</b>	<b>PART NUMBER</b>	<b>PART NAME</b>	<b>NUMBER REQ</b>	
34300	8066890	CARRIAGE ASSY-41MP25	1	
34301	2359625	BEARING ROLLER	2	
34307	2803436	BEARING MAST ROLLER	2	
34320	2359626	SHAFT	2	
34321	01DM00012	NUT	2	
34321	04CM01270	CAPSCREW	2	
34328	2801859	BEARING MAST ROLLER STD	1	
34328	2803437	BEARING MAST ROLLER OS	1	
34329	2361264	WASHER	2	
34330	2361263	SCREW	2	
34332	2359551	SHIM	1	
[1]	34340	8066892	CARRIAGE WELDMENT USE8119702	1

## PART NOTES:

[1] - (TYPE 4)

**FRAME TANK BOTTOM PLUG**

---

<b>INDEX</b>	<b>PART NUMBER</b>	<b>PART NAME</b>	<b>NUMBER REQ</b>
38246	927567	PLUG MAGNETIC	1
38280	925783	O RING	1

## OVERHEAD GUARD MOUNTING

---

INDEX	PART NUMBER	PART NAME	NUMBER REQ
37048	29CM01030	BOLT	4
37214	8081733	PLUG/GROMMET	4
37290	8086389	RUBBER MOUNT	2
37746	8081733	PLUG/GROMMET	4
39932	8086482	OVERHEAD GUARD	1
39933	18EM01224	WASHER FLAT	2
39933	40DM00012	NUT LOCK	2
39938	8005442	BRACKET-REAR LAMP	1
39939	8009657	BOLT same as 29CM00816	6

CLICK HERE TO **DOWNLOAD** THE COMPLETE MANUAL

- Thank you very much for reading the preview of the manual.
- You can download the complete manual from: [www.heydownloads.com](http://www.heydownloads.com) by clicking the link below



- Please note: If there is no response to CLICKING the link, please download this PDF first and then click on it.

CLICK HERE TO **DOWNLOAD** THE COMPLETE MANUAL