



# CROWN



**Parts Manual**

Ersatzteilhandbuch

Manual de pièces détachés

**GPC 2000** Series

CLICK HERE TO **DOWNLOAD** THE COMPLETE MANUAL

- Thank you very much for reading the preview of the manual.
- You can download the complete manual from: [www.heydownloads.com](http://www.heydownloads.com) by clicking the link below



- Please note: If there is no response to CLICKING the link, please download this PDF first and then click on it.

CLICK HERE TO **DOWNLOAD** THE COMPLETE MANUAL

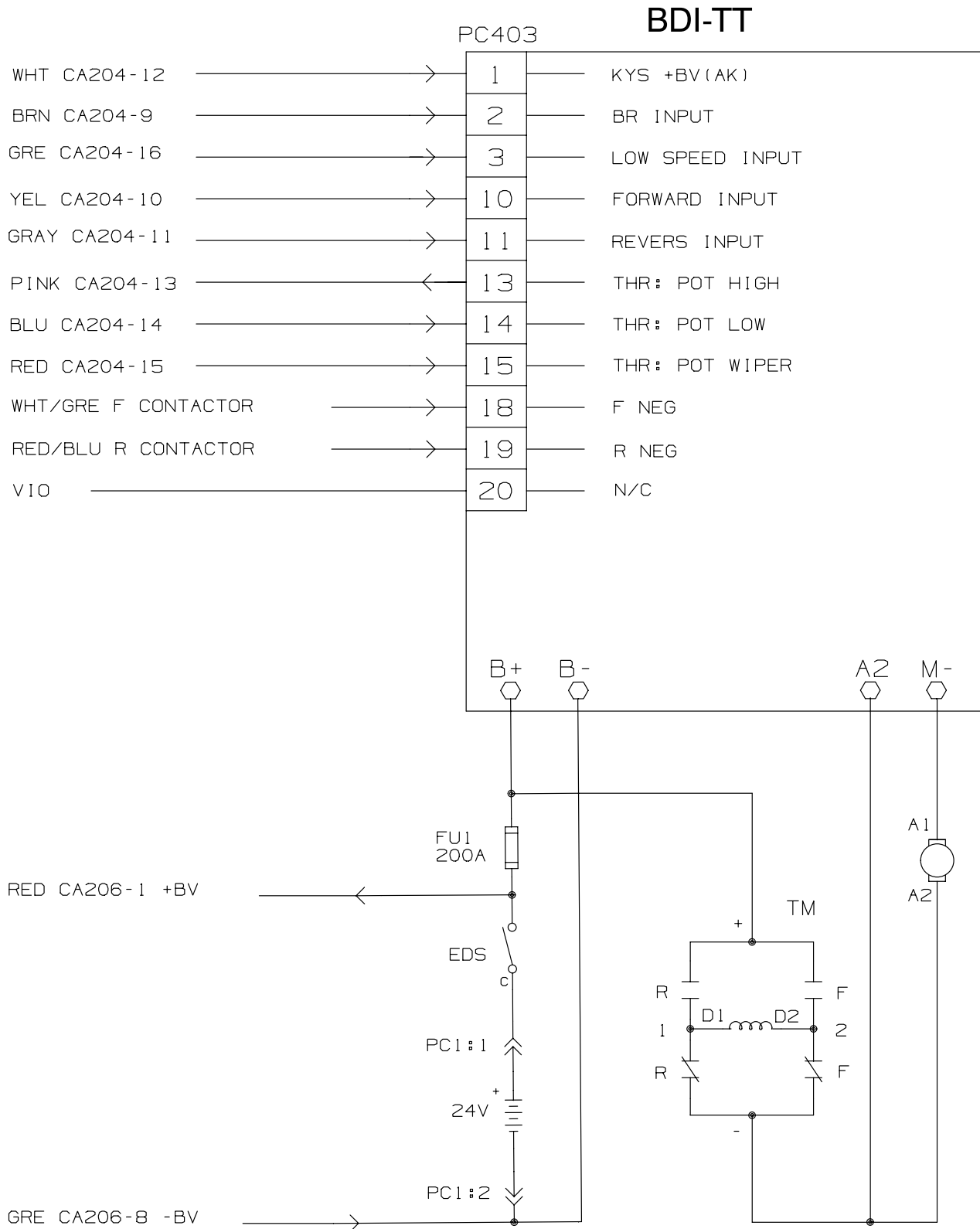
---

Page intentionally left blank  
Seite absichtlich freigelassen  
Page intentionnellement laissée blanche

---

Page intentionally left blank  
Seite absichtlich freigelassen  
Page intentionnellement laissée blanche

**Traction Controller 2040**

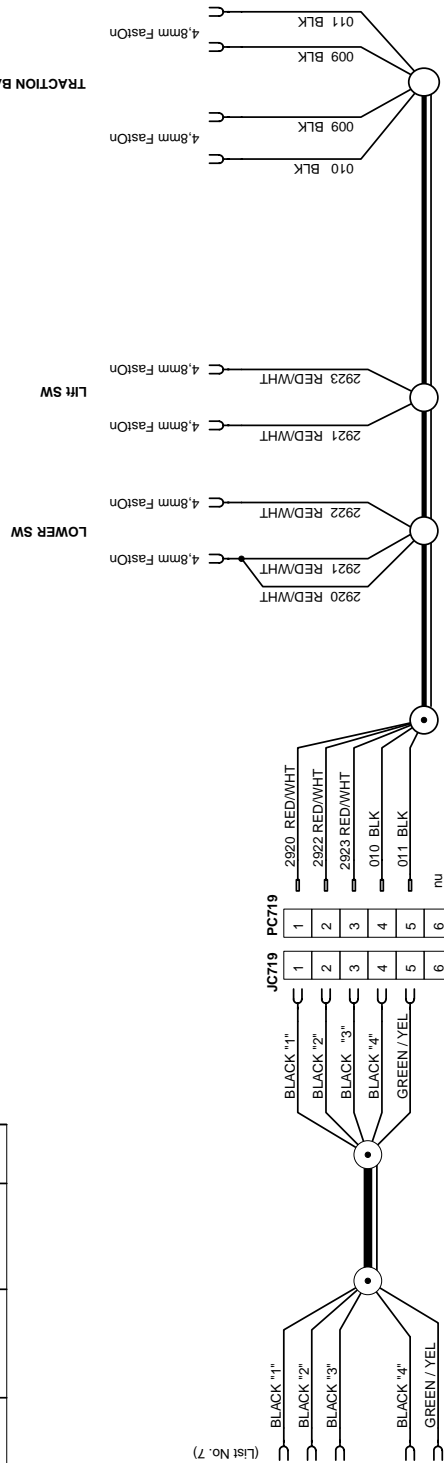


M1899\_gb

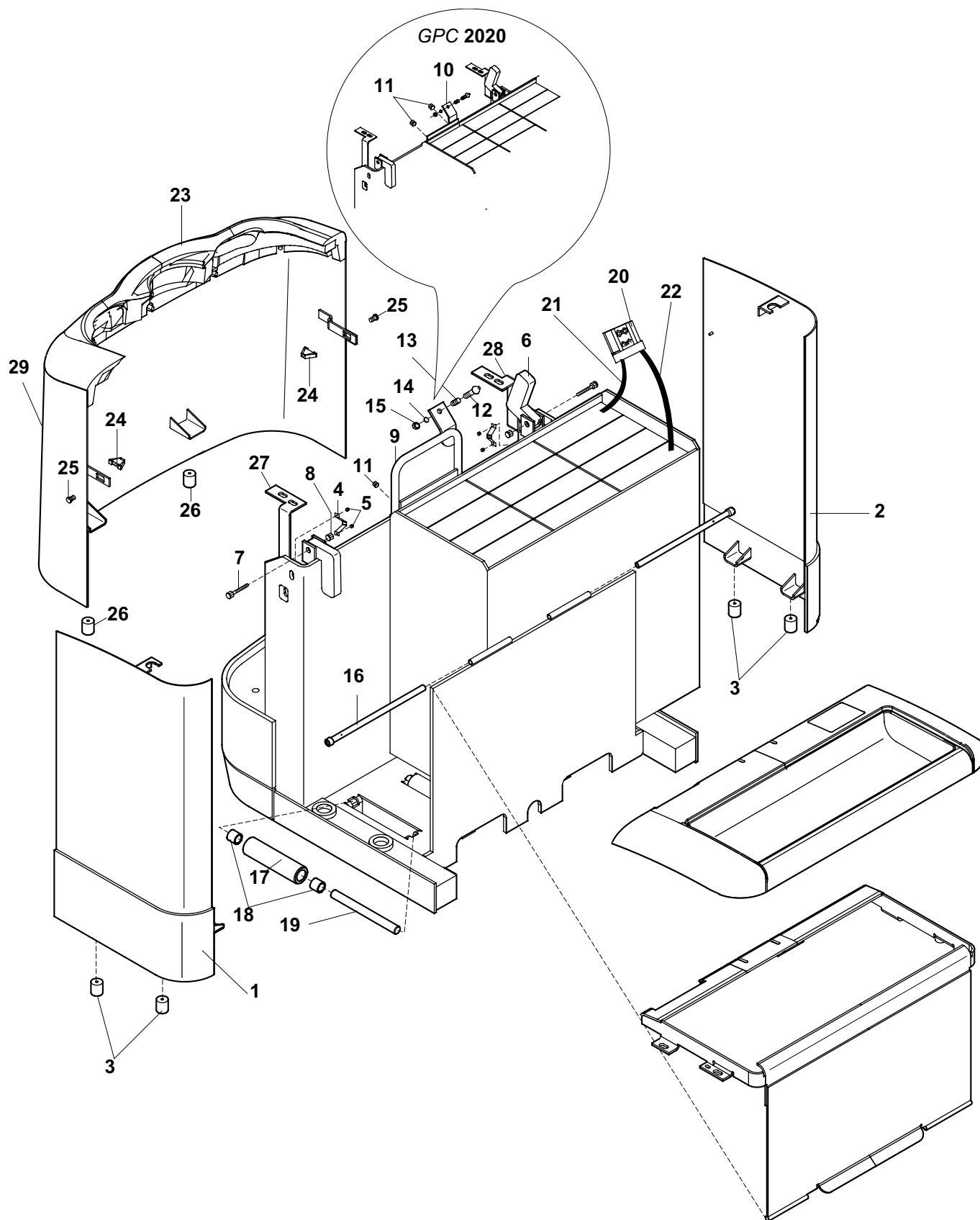
**Control Cable Backrest 2040S**

**PART LIST**

LIST No	Component	Name	Type (m/f/em)	Crown No.	Used
1	Connector-Housing	PC719		803450-003	1
2	Terminal	PC719	male	803450-010	5
3	Connector-Housing	JC719		803450-007	1
4	Terminal	JC719	female	116858	5
5	Fast On 4,8mm		female	062007-043	6
6	Housing f. 4,8 mm			803448-002	6
7	Terminal		female	803452-005	5







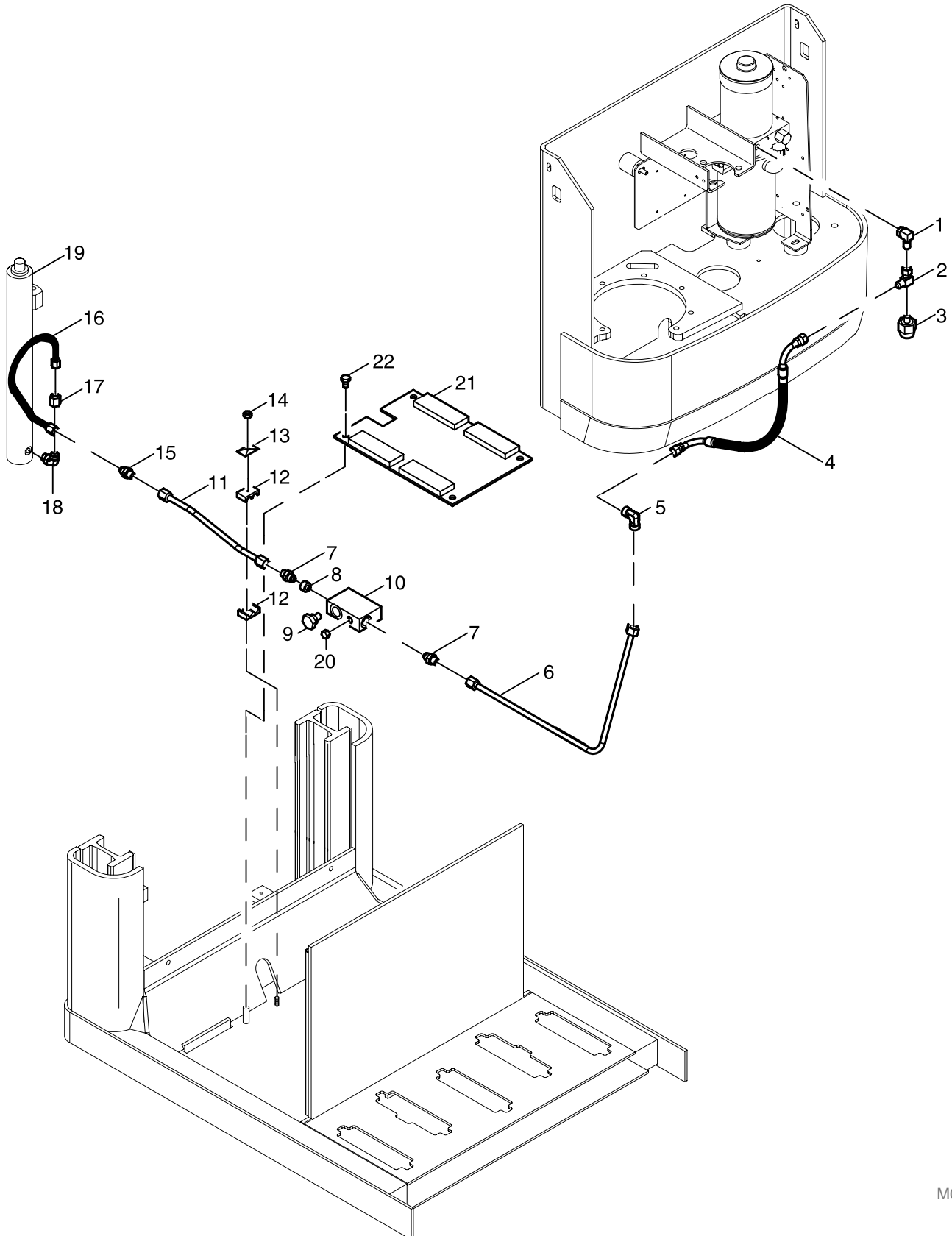
M0105

Fork Lift

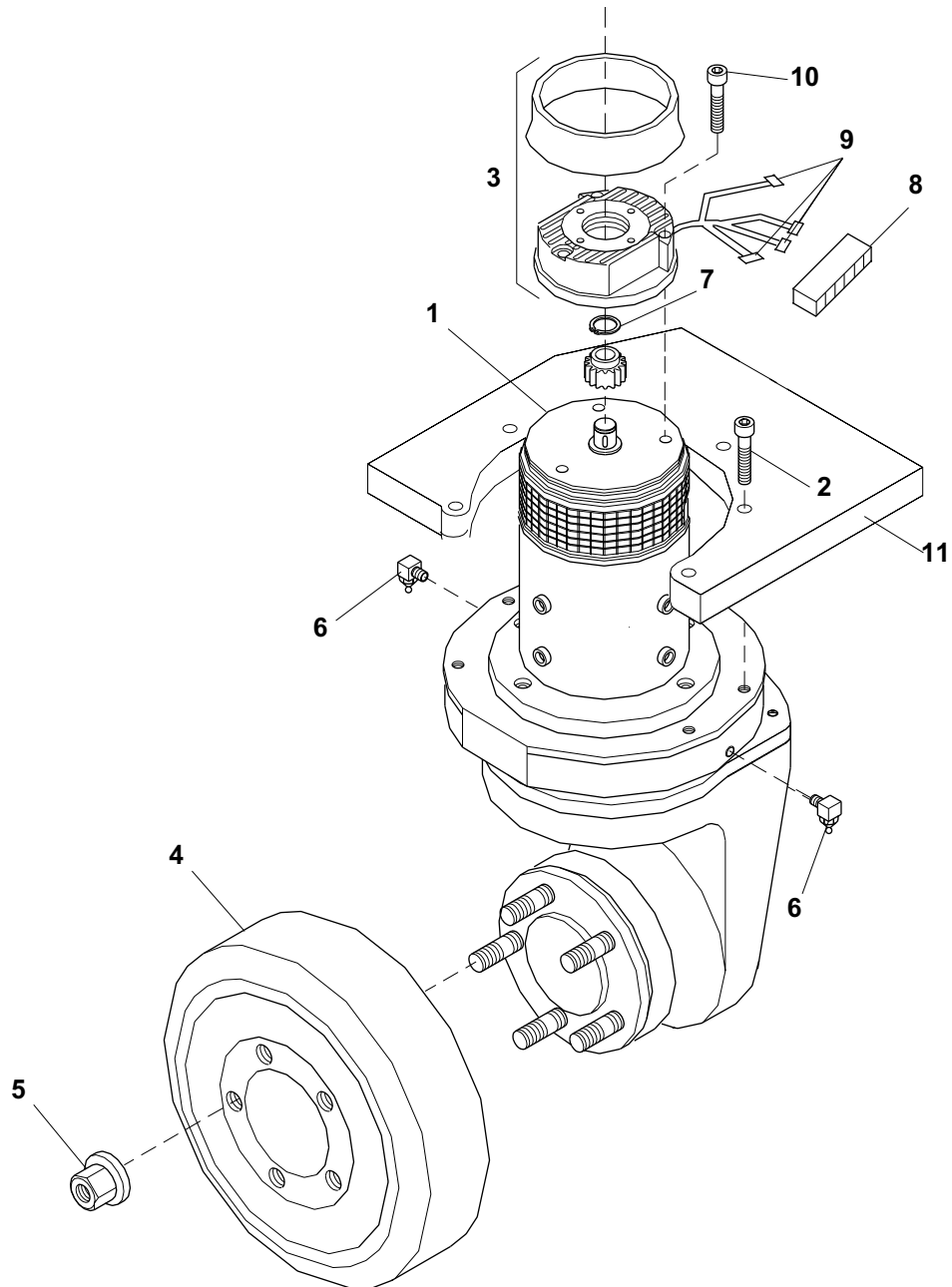
Gabelhub

Levée de fourches

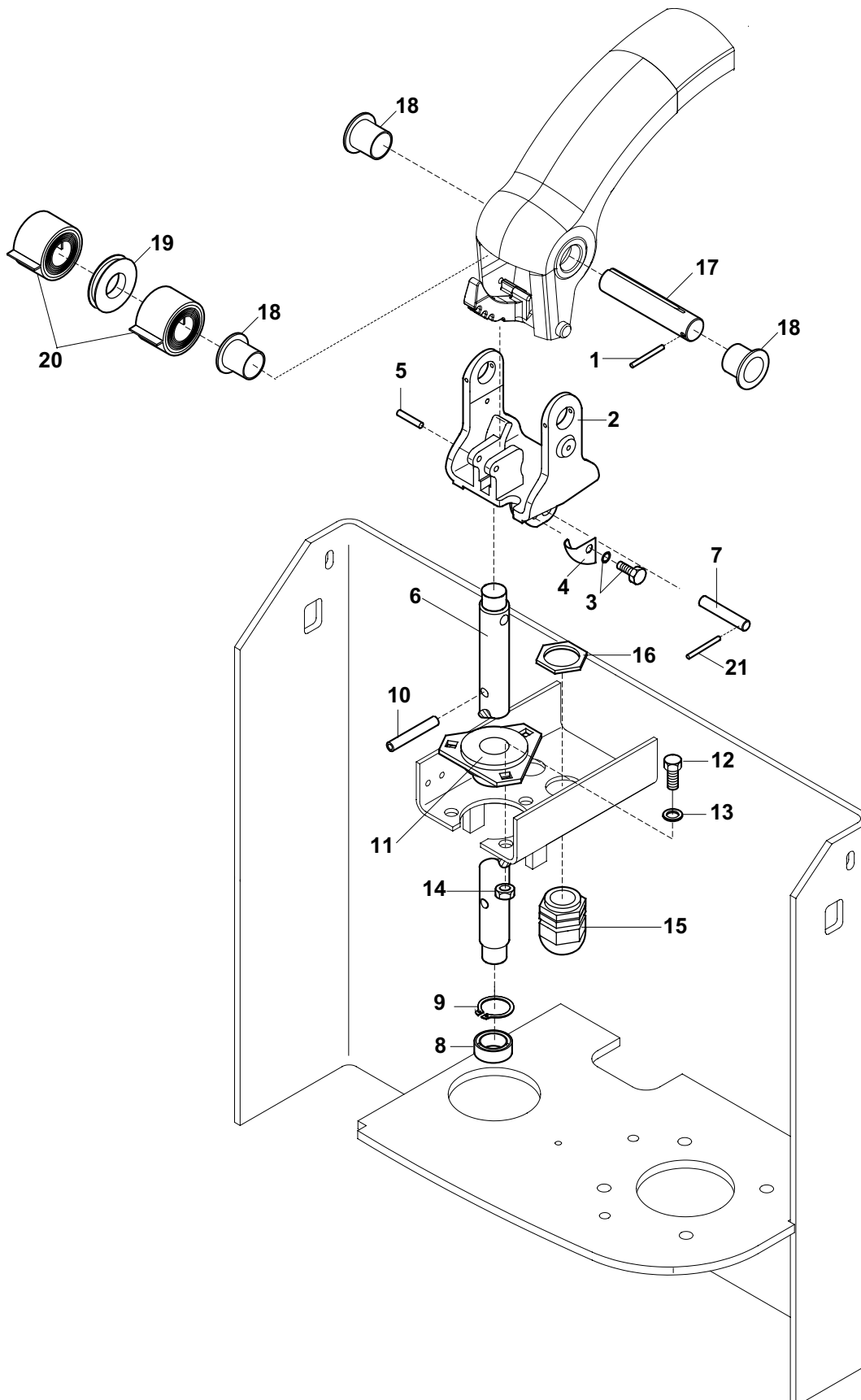
ROHR-/SCHLAUCHPLAN  
SCHÉMA DES TUYAUX



M0386



M0120



M0130

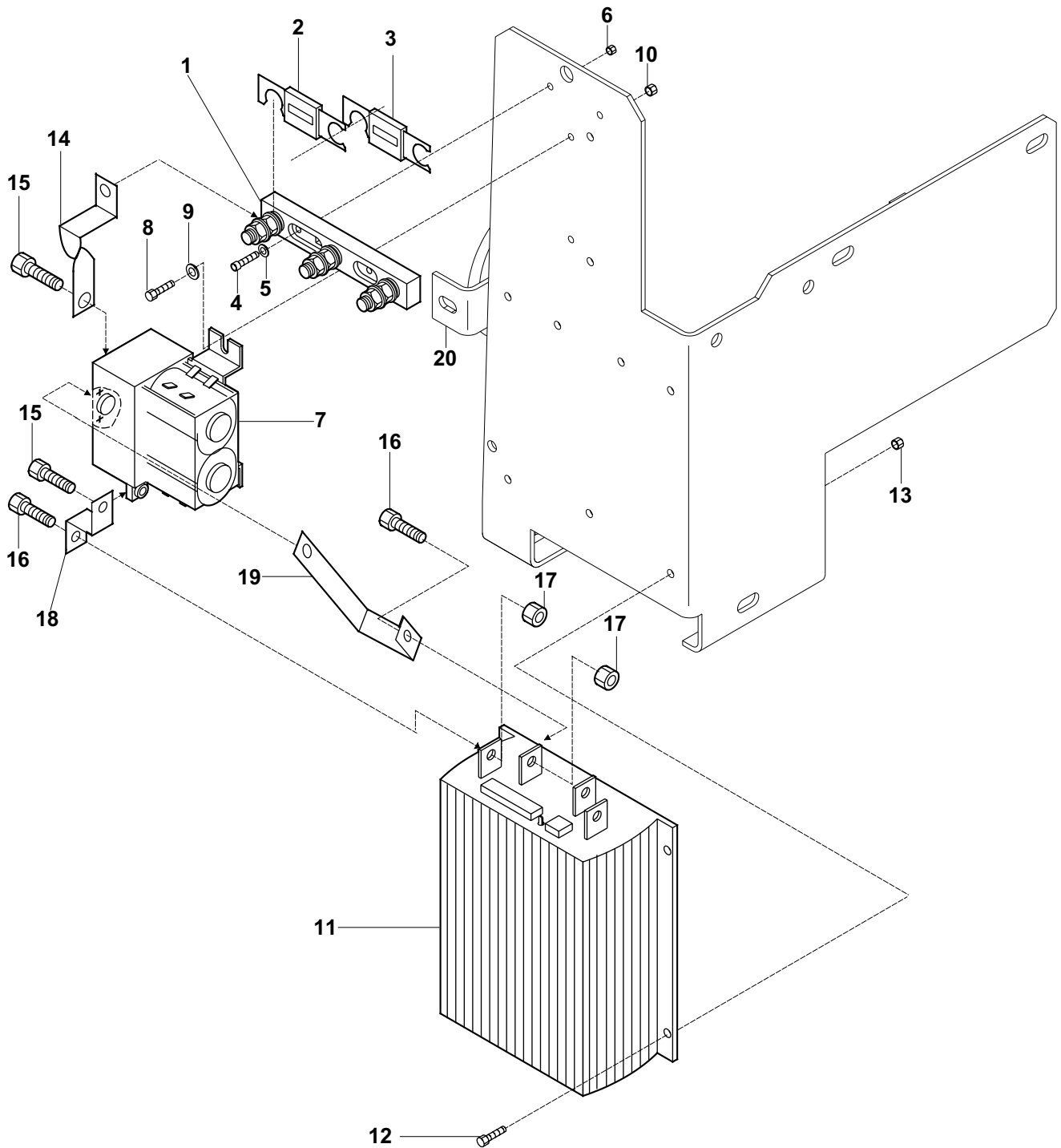
CLICK HERE TO **DOWNLOAD** THE COMPLETE MANUAL

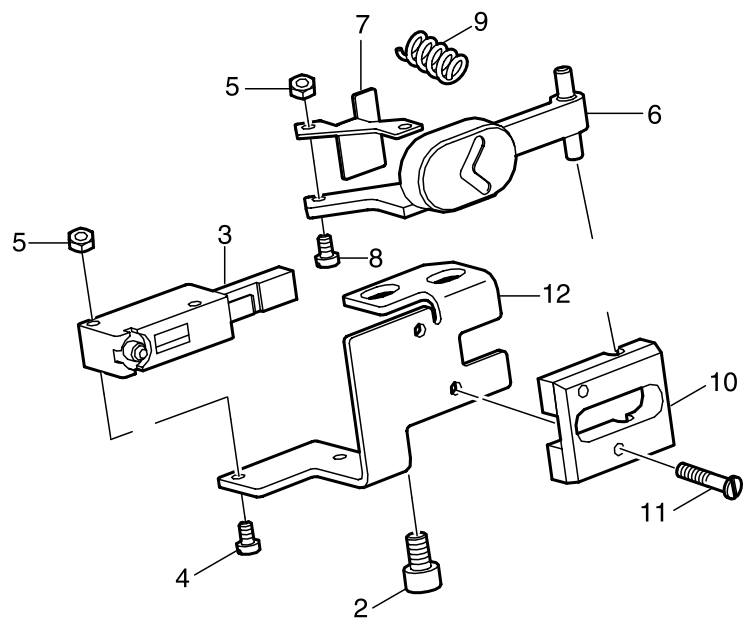
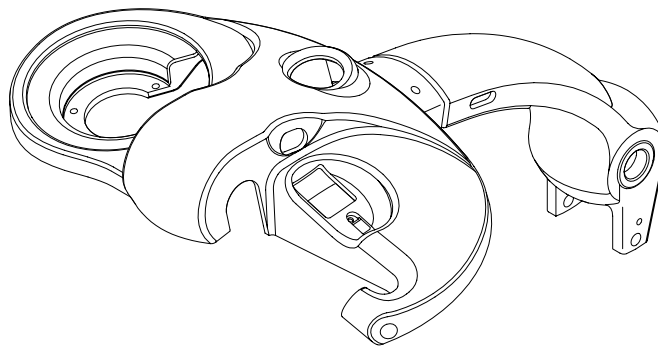
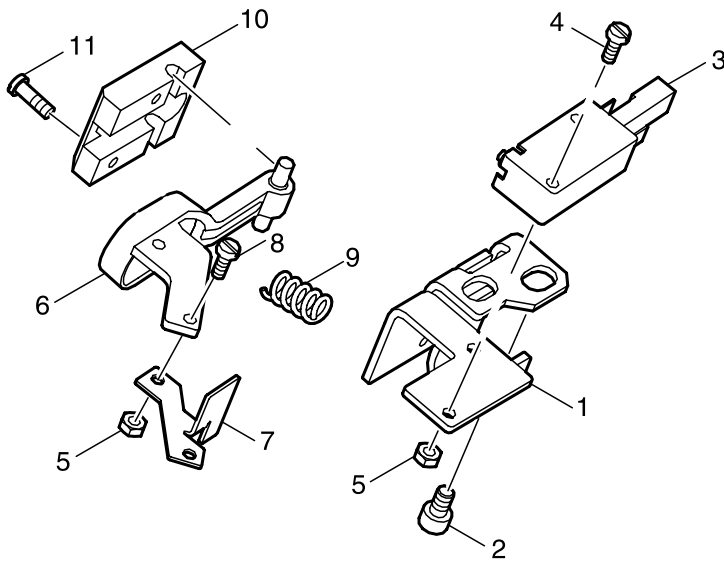
- Thank you very much for reading the preview of the manual.
- You can download the complete manual from: [www.heydownloads.com](http://www.heydownloads.com) by clicking the link below



- Please note: If there is no response to CLICKING the link, please download this PDF first and then click on it.

CLICK HERE TO **DOWNLOAD** THE COMPLETE MANUAL

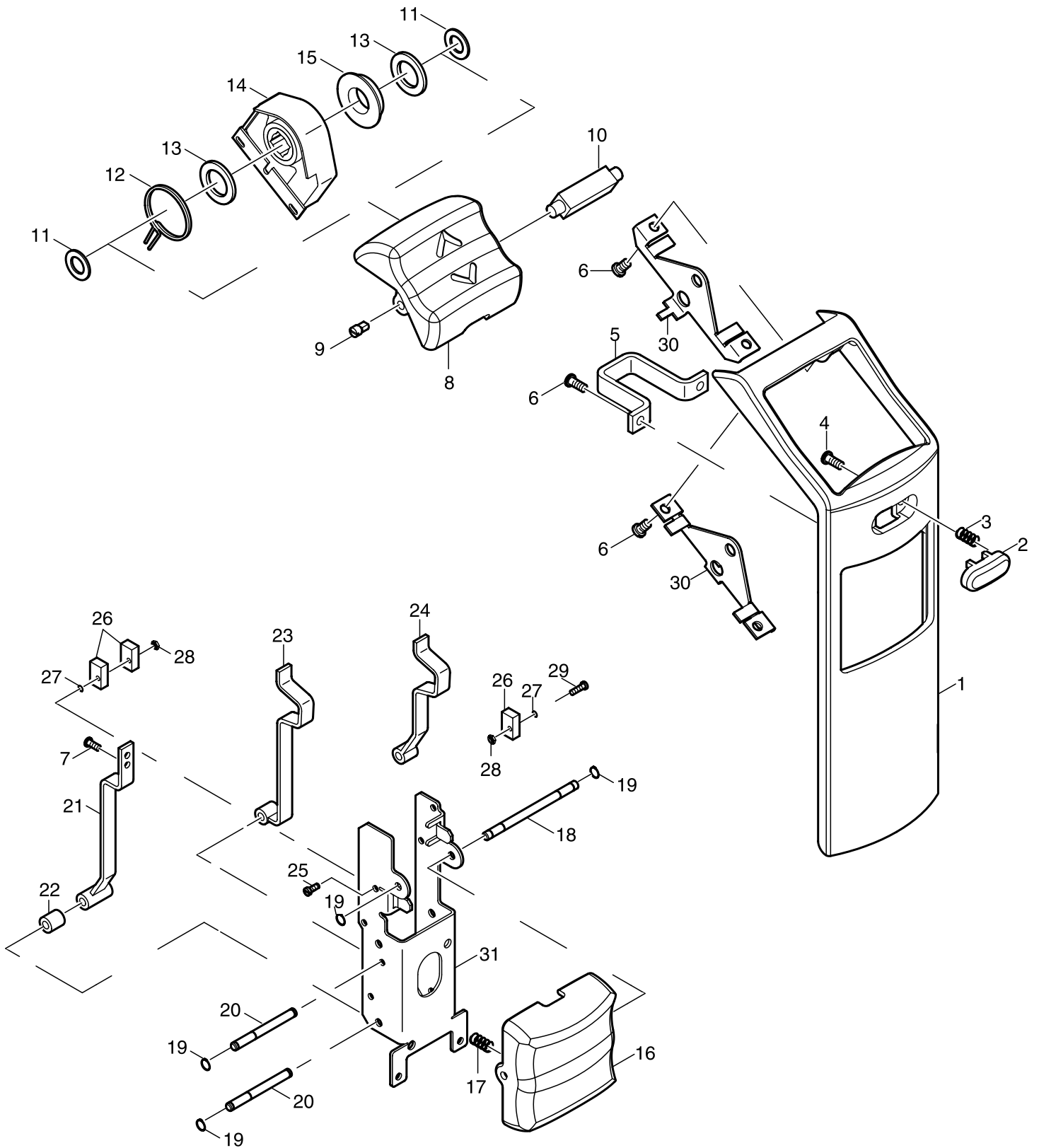




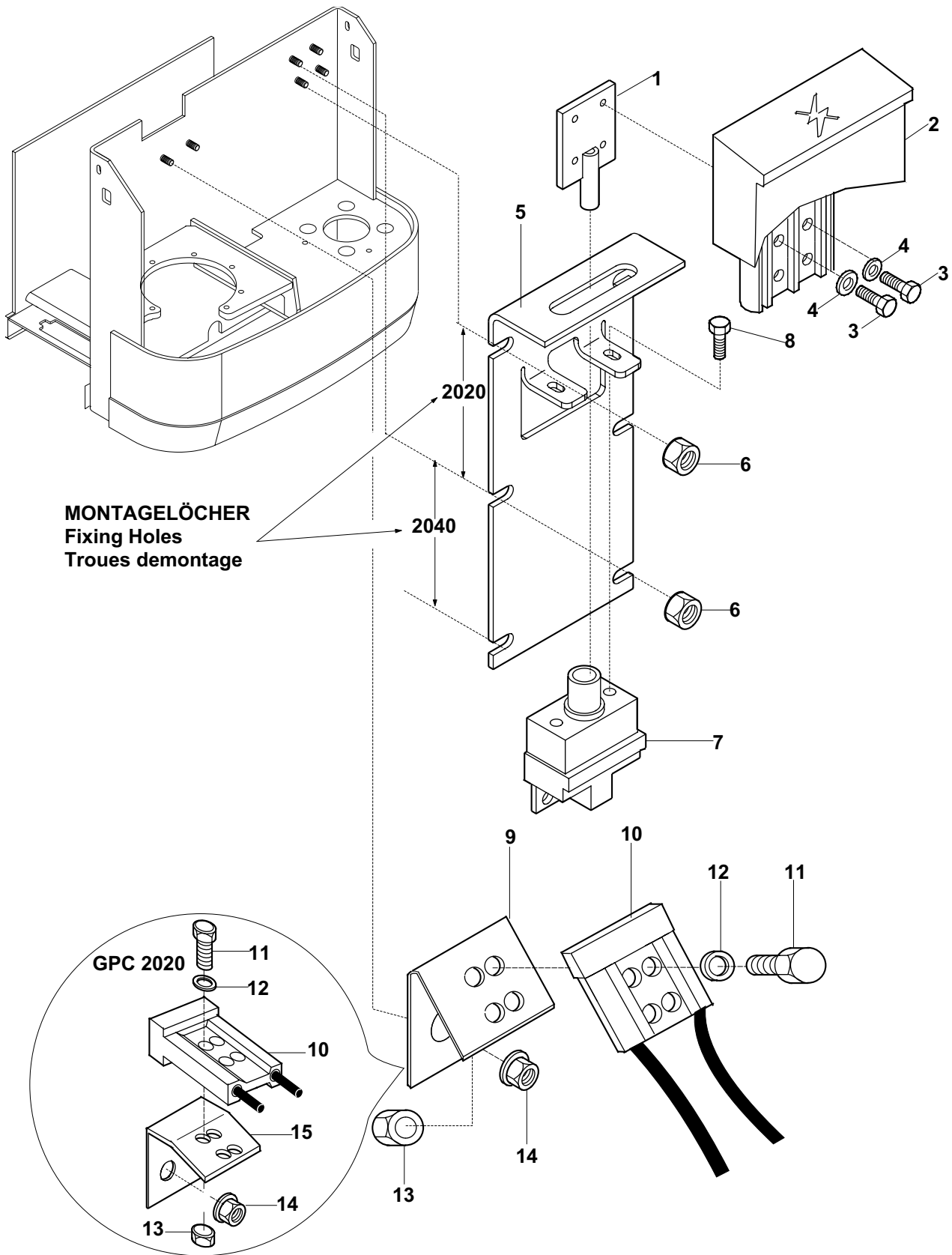
M1724

2020/2040

DEICHSEL  
TIMON



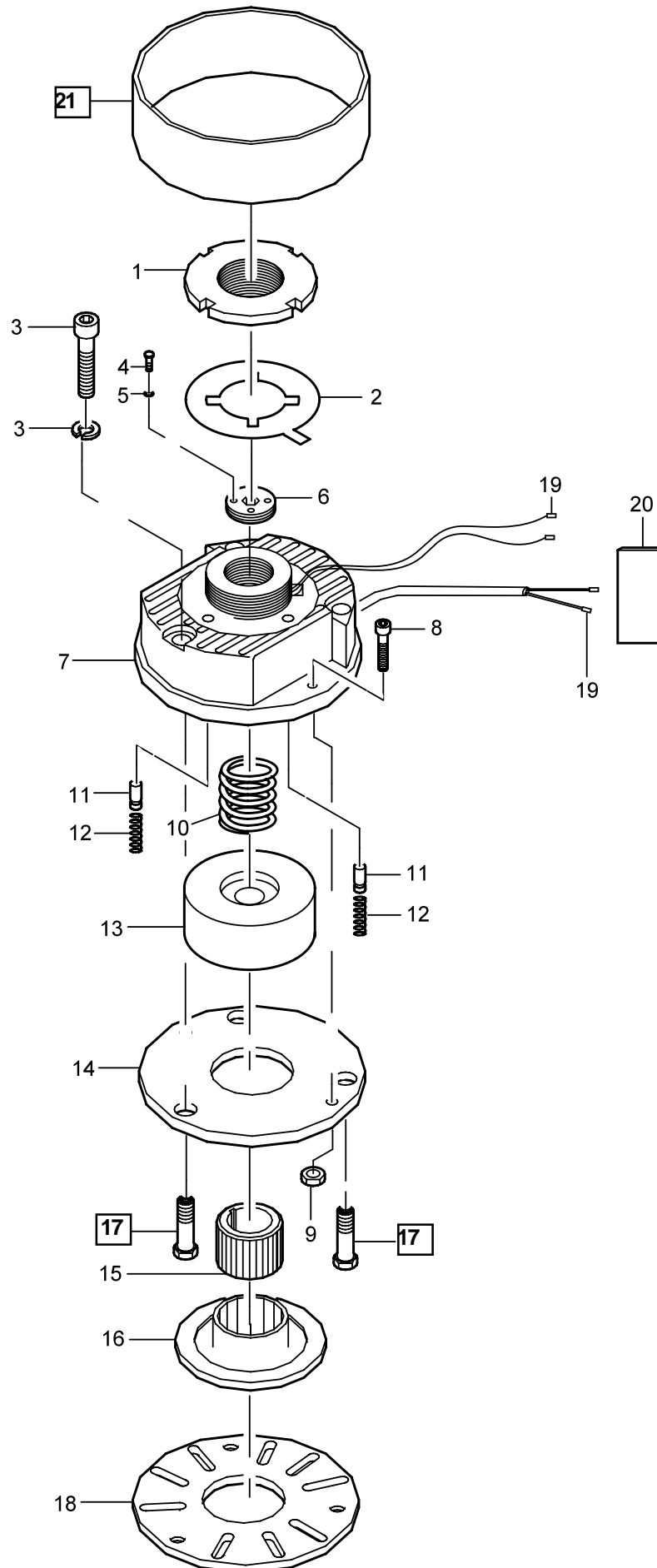
M1876



M0180

2040/2040S

BREMSE  
FREIN

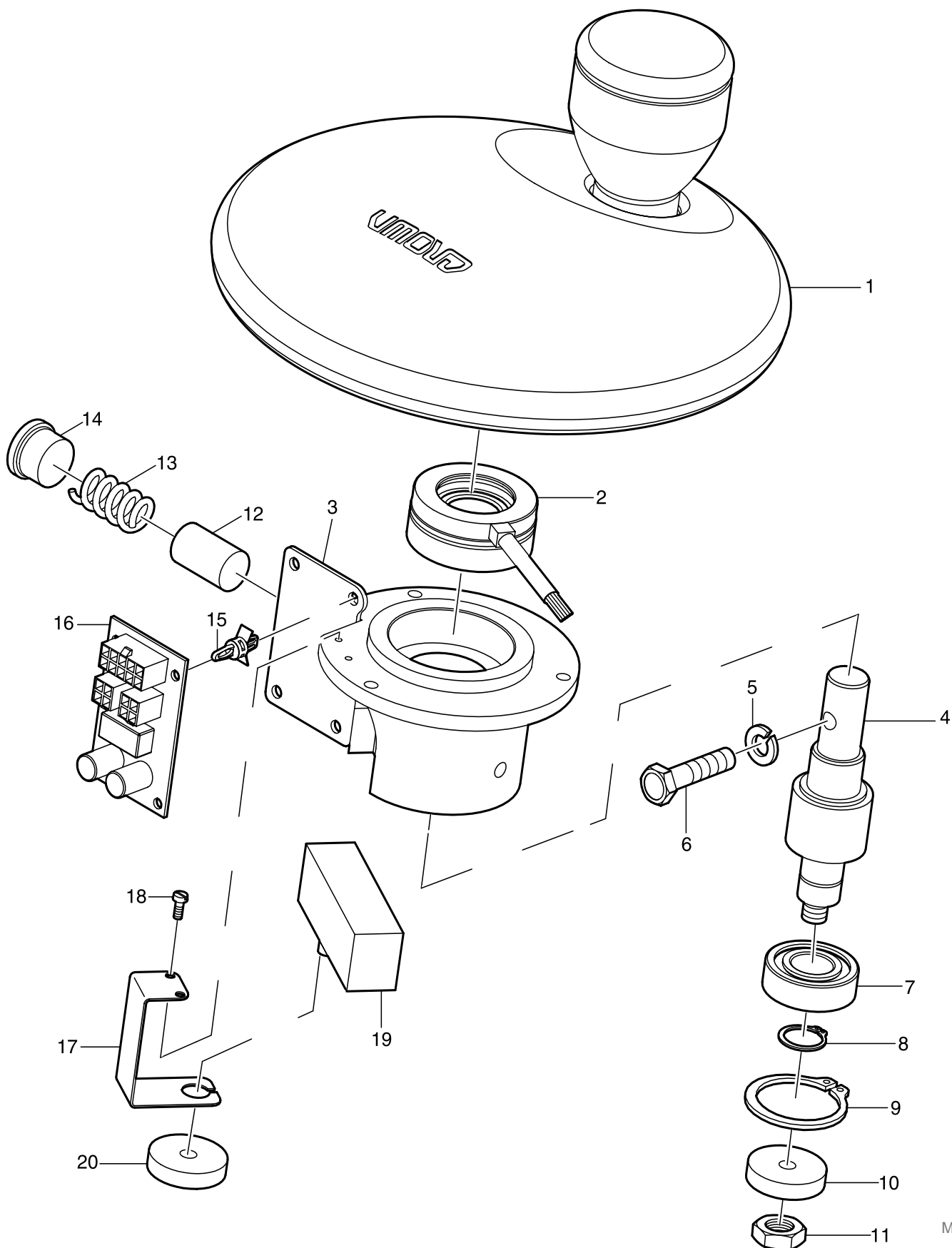


M0195

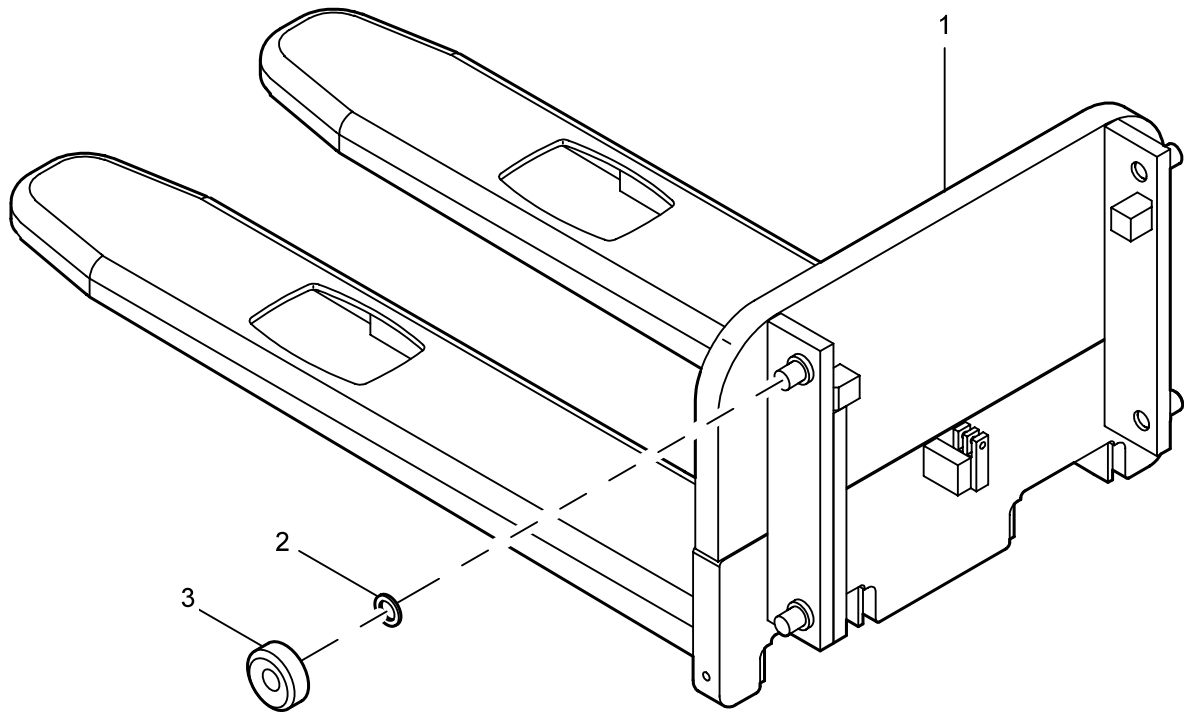
Printed in Germany

REV. 2 01/01

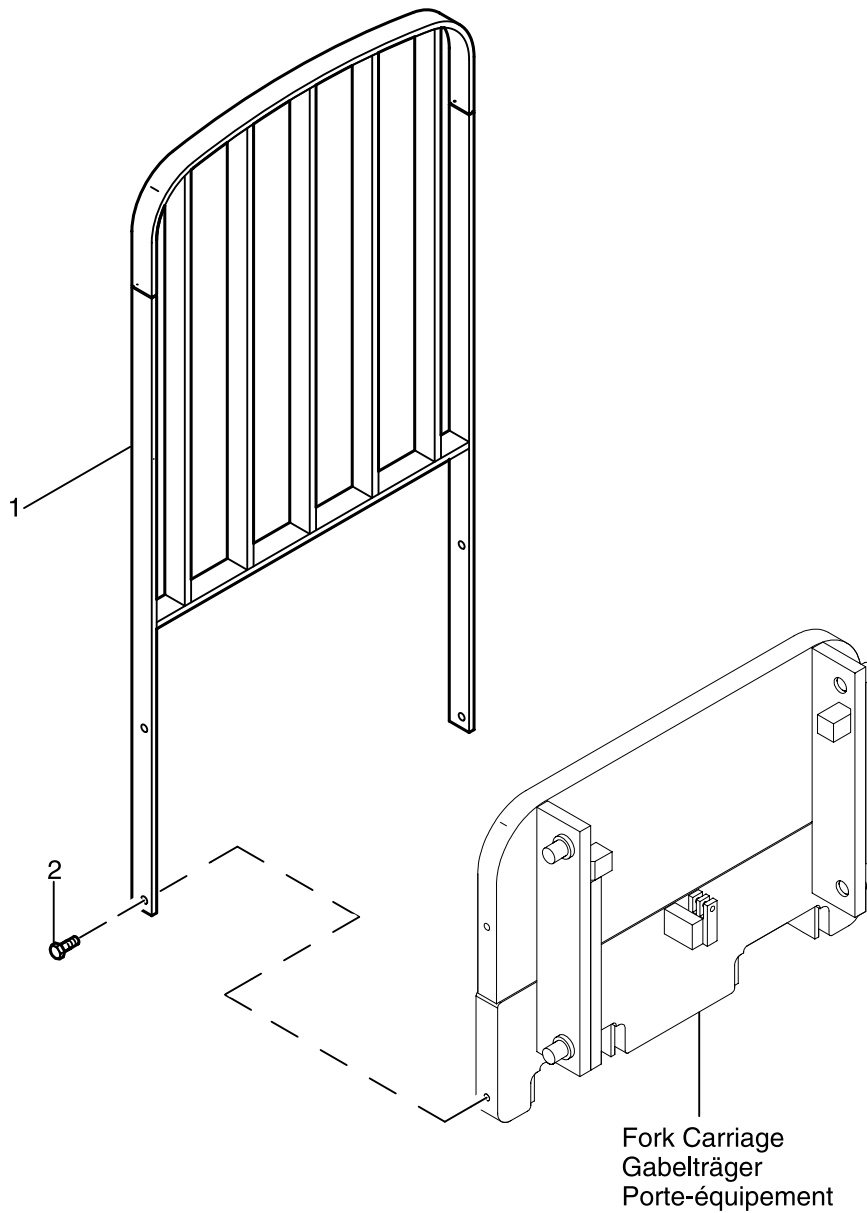
P-5.6-6620-025



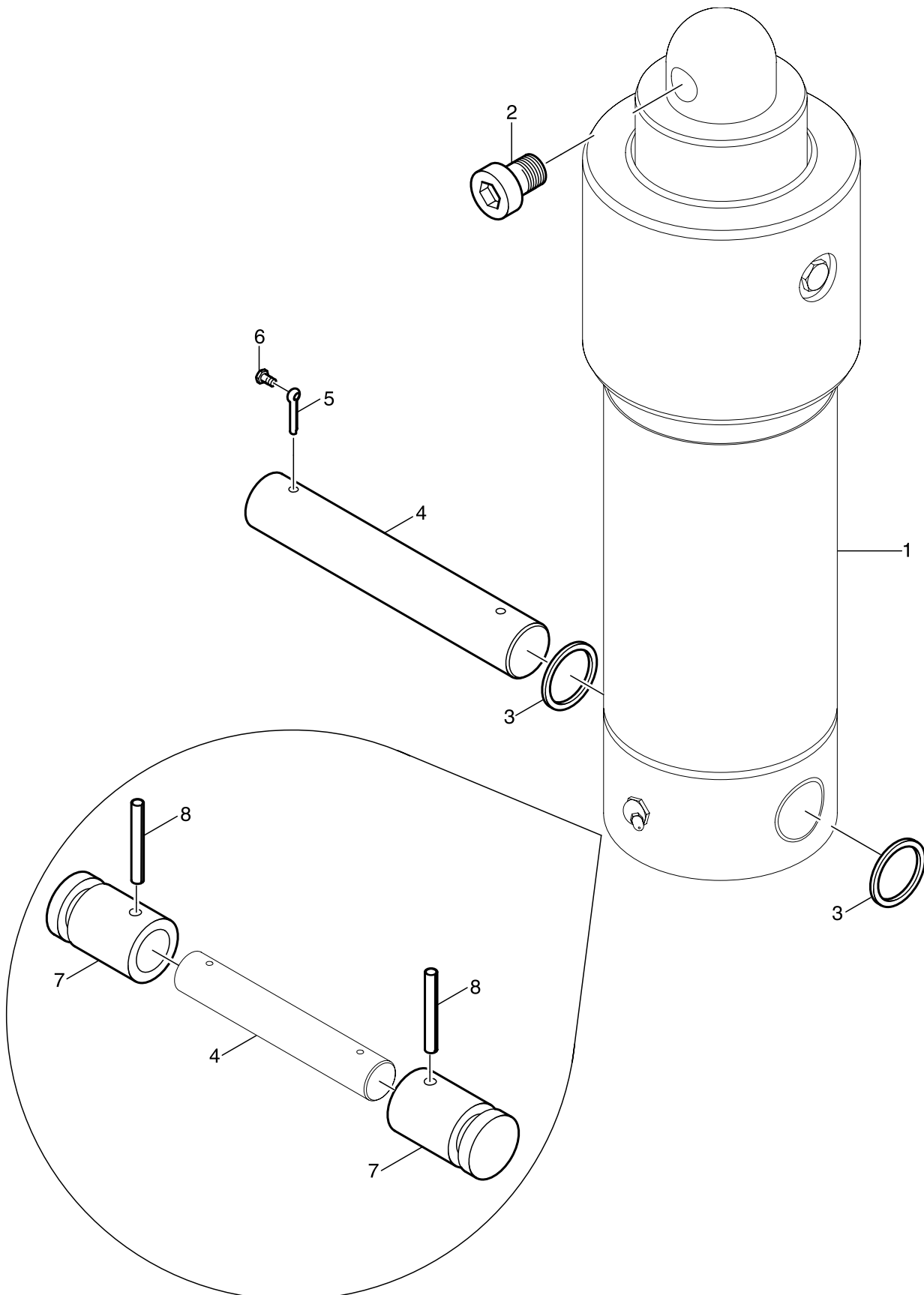
M1721



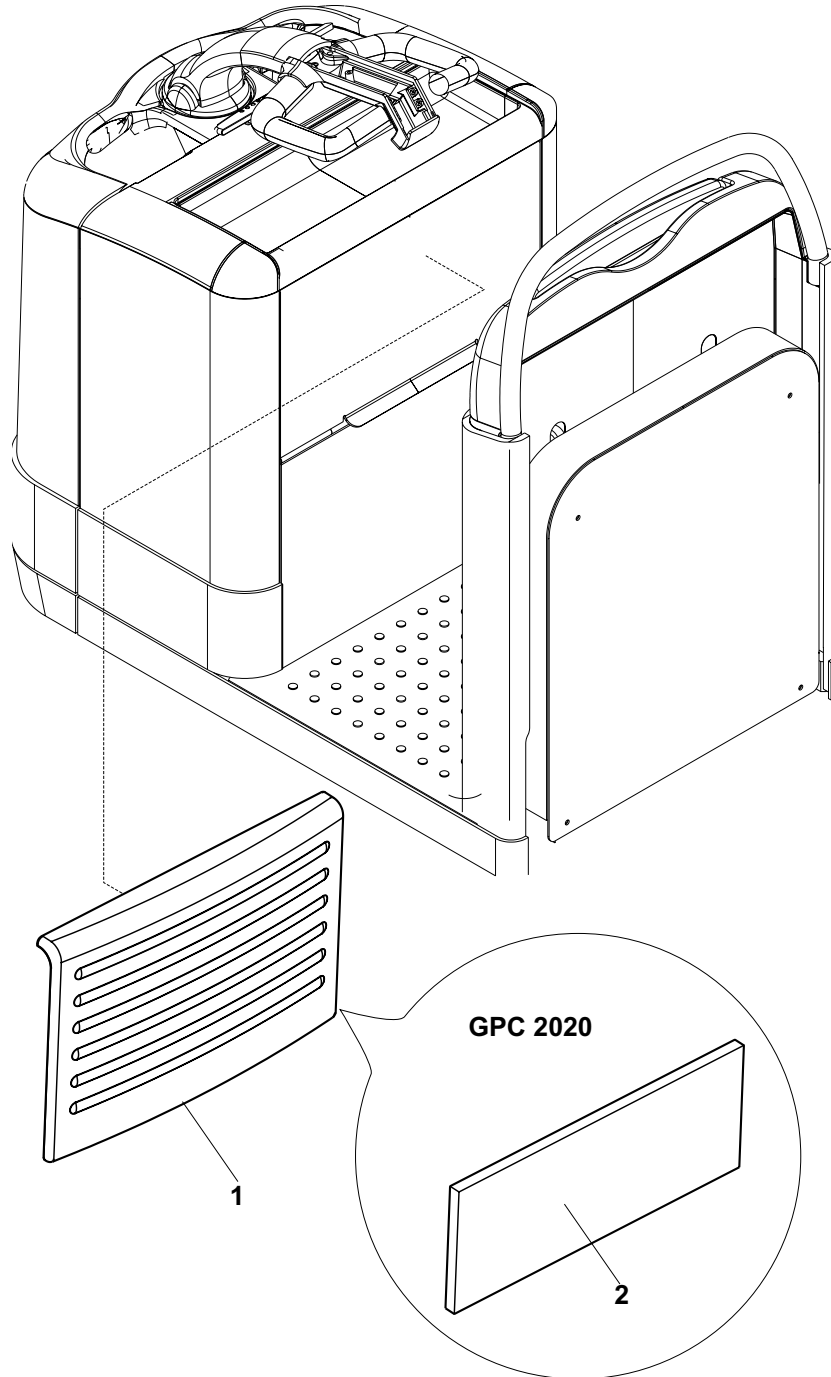
M0390

**Platform/Fork Lift****Plattform-/Gabelhub****Levée de plateforme/-fourches****LASTSCHUTZGITTER****BUTÉE DE CHARGE**

M0393



M1833



CLICK HERE TO **DOWNLOAD** THE COMPLETE MANUAL

- Thank you very much for reading the preview of the manual.
- You can download the complete manual from: [www.heydownloads.com](http://www.heydownloads.com) by clicking the link below



- Please note: If there is no response to CLICKING the link, please download this PDF first and then click on it.

CLICK HERE TO **DOWNLOAD** THE COMPLETE MANUAL