

# PE 4000



CLICK HERE TO **DOWNLOAD** THE COMPLETE MANUAL

- Thank you very much for reading the preview of the manual.
- You can download the complete manual from: [www.heydownloads.com](http://www.heydownloads.com) by clicking the link below



- Please note: If there is no response to CLICKING the link, please download this PDF first and then click on it.

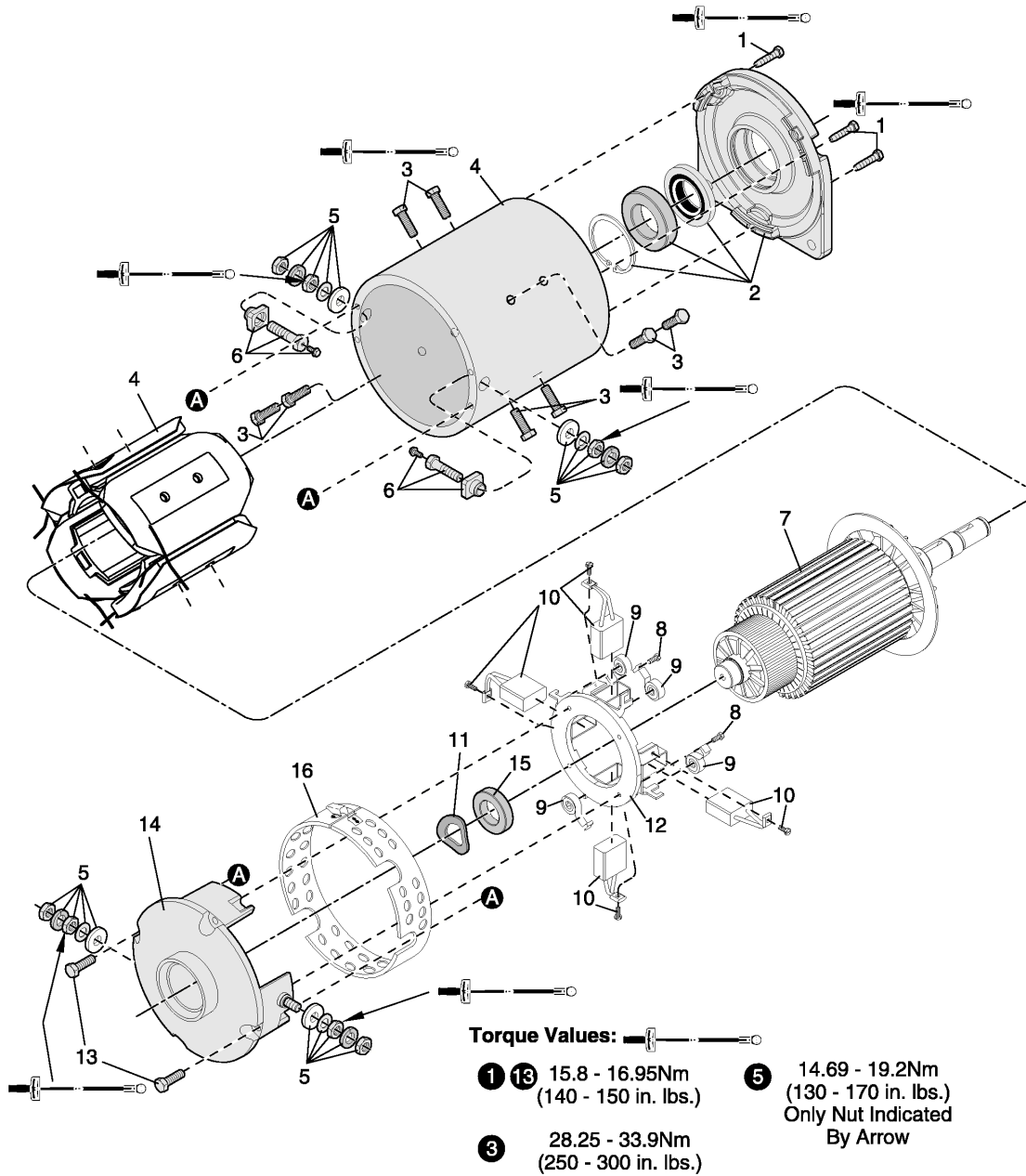
CLICK HERE TO **DOWNLOAD** THE COMPLETE MANUAL

INDEX	PART NUMBER	PART NAME	NUMBER REQ	
	0	133109-002-0S	KIT CASTER ASM PE SERVICE	1
[1]		133109-004-0S	KIT CASTER ASM PE F/C SERVICE	1
[2]	1	133108-001	CASTER ASSEMBLY	1
[3]		133108-002	CASTER ASSEMBLY F/C	1
	2	082659-001	YOKE WELDMENT	1
	3	065043	BEARING THRUST	1
	4	082642	FELT SEAL	1
	5	065044	BEARING CUP	1
	6	065045	BEARING CONE	1
	7	060030-104	FLATWASHER	2
	8	060021-058	NUT	1
	9	060000-082	PIN ROLL	1
	10	082641	CAP HUB	1
	11	107157-001	PIN HINGE WELDMENT	1
[1]		107157-002	PIN HINGE WELDMENT	1
	12	060005-007	LOCKWASHER	1
	13	060015-003	SCREW 1/4"	1
	14	082639	SPRING COMPRESSION	2
	15	082640	SPRING COMPRESSION	2
	16	082688	SPRING LOCATOR	2
	17	133107	SHROUD WELDMENT	1
	18	065007-030	BEARING SLEEVE	2
	19	060030-105	FLATWASHER	2
	20	129803	PLATE TOP WELDMENT	1
	21	100779	FITTING LUBRICATION	1
[4]	22	083179-201-AS	WHEEL ASM 4.00 X 2.50	1
[5]		083179-302-AS	WHEEL ASM 4.00 X 2.50	1
[6]	23	083179-201	WHEEL 4.00x2.50x2.047x0.59	1
[7]		083179-302	WHEEL 4.00x2.50x2.047x0.59	1
	24	065081-070	BEARING BALL	2
	25	128648-002	AXLE CAM	1
	26	060089-008	WEDGE WASHER	1
	27	060021-028	NUT	1
	28	076048-001	FITTING LUBRICATION	1
	29	060005-009	LOCKWASHER	4
	30	060017-007	SCREW 3/8"	4
[8]	31	130893	PLATE SPACER	1

## PART NOTES:

- [1] - Freezer/Corrosion
- [2] - Includes Index 2-21
- [3] - Freezer/Corrosion, Includes Index 2-21
- [4] - Includes Index 23. 80 - 86A Durometer Mid-range
- [5] - Includes Index 23. 92 - 98A Durometer High Capacity
- [6] - 80 - 86A Durometer Mid-range
- [7] - 92 - 98A Durometer High Capacity
- [8] - Used with Rubber Drive Tire Only

INDEX	PART NUMBER	PART NAME	NUMBER REQ
0	131336	HYD P/U 24V PBGC	1
	154531	HYDRAULIC UNIT 24V PBGC	1
1	084318	SCREW	4
2	084317	RESERVOIR	1
3	064013-001	ELBOW, STREET 45	1
4	084318	SCREW	1
5	081543	SCREW 1/4"	4
6	094551	RETAINER	1
7	094550	PLATE RETAINER	1
8	064019-039	O-RING	1
9	131858	PUMP ASSEMBLY	1
10	131859	RELIEF VALVE KIT	1
11	084344-004	VALVE SOLENOID	1
	104164-016	COIL SOLENOID	1
	064019-030	O-RING	1
	064019-031	O-RING	1
	064074-019	RING BACKUP	1
12	117079	ADAPTER	1
13	084339	VALVE CHECK ASM	1
14	128737	BOLT	2
15	060005-007	LOCKWASHER	2
16	128743	COMMUTATOR END BRACKET	1
17	128736	BEARING COMMUTATOR END	1
18	103255	SPRING BRUSH (NLA)	4
19	125789	BRUSH ASSEMBLY	1
20	128742	BRUSH HOLDER	1
21	128739	STATOR	1
22	128735	ARMATURE	1
23	118628	SCREW SQ HD BRASS 5/16"	2
24	118630	BUSHING	2
25	060030-017	FLATWASHER	2
26	118629	Nut	4
27	060005-008	LOCKWASHER	2
28	094297	LEAD WIRE	1
29	117081	CONTROL FLOW	1
30	084343	SOLENOID	1
	802820	CONTACTOR PUMP	1
31	084318	SCREW	2
32	060005-006	LOCKWASHER	2
33	060030-010	FLATWASHER	2
34	128734	BEARING DRIVE END	1
35	071517	COUPLING	1
36		Retaining ring	1
37	126426	MOTOR 24V	1



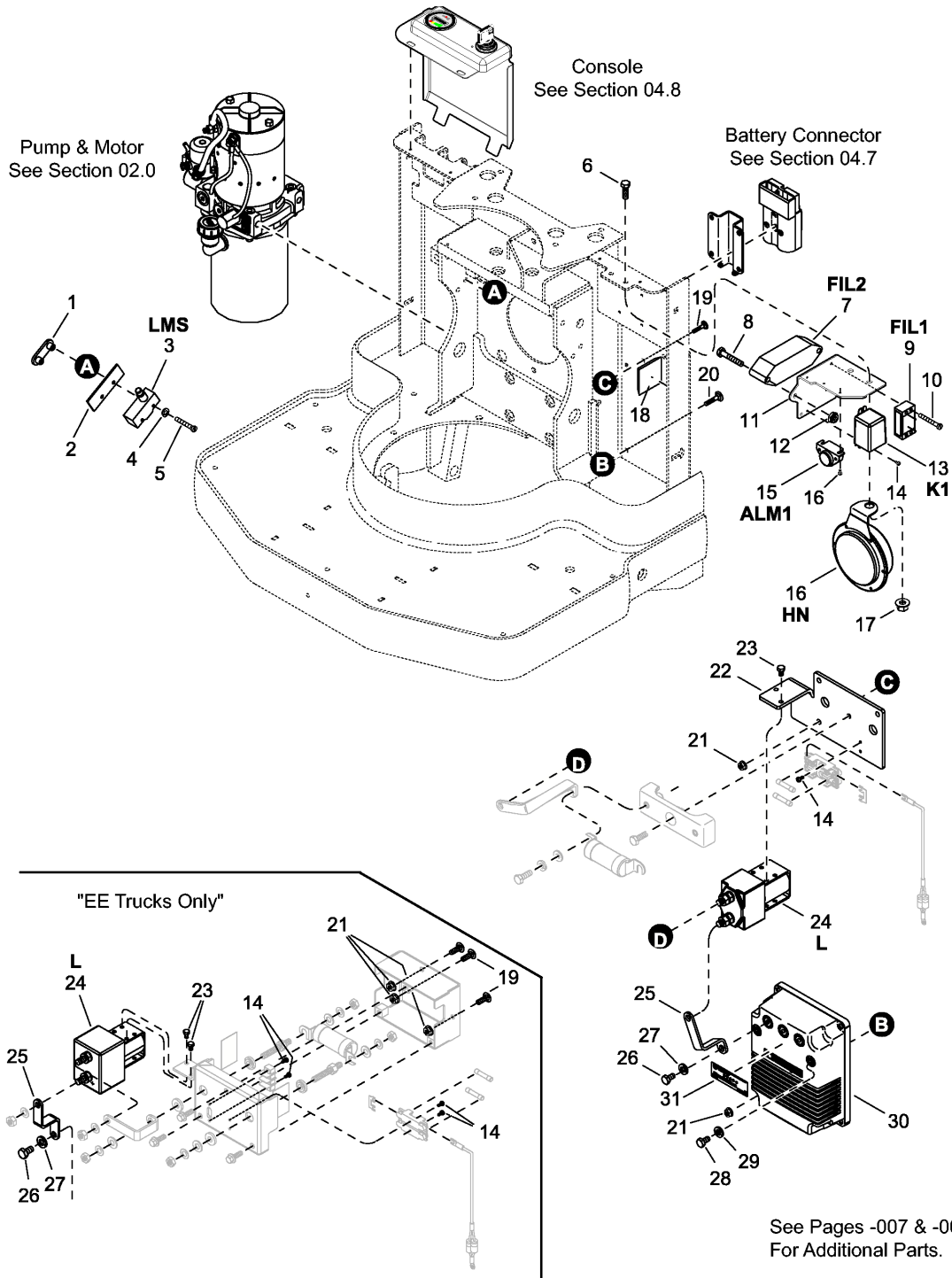


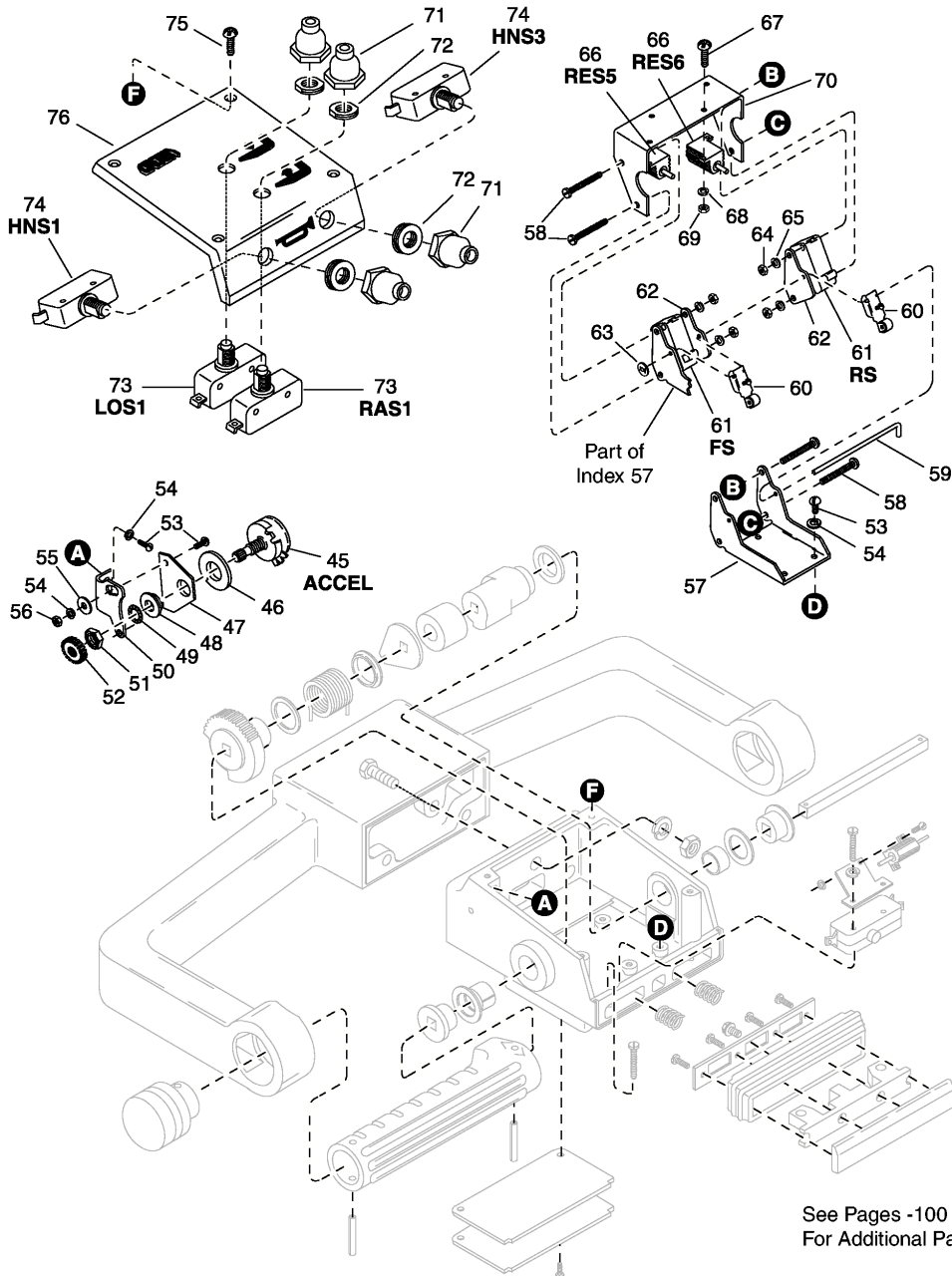
Figure 13556



**CONTROL POD**



**FREEZER/CORROSION**



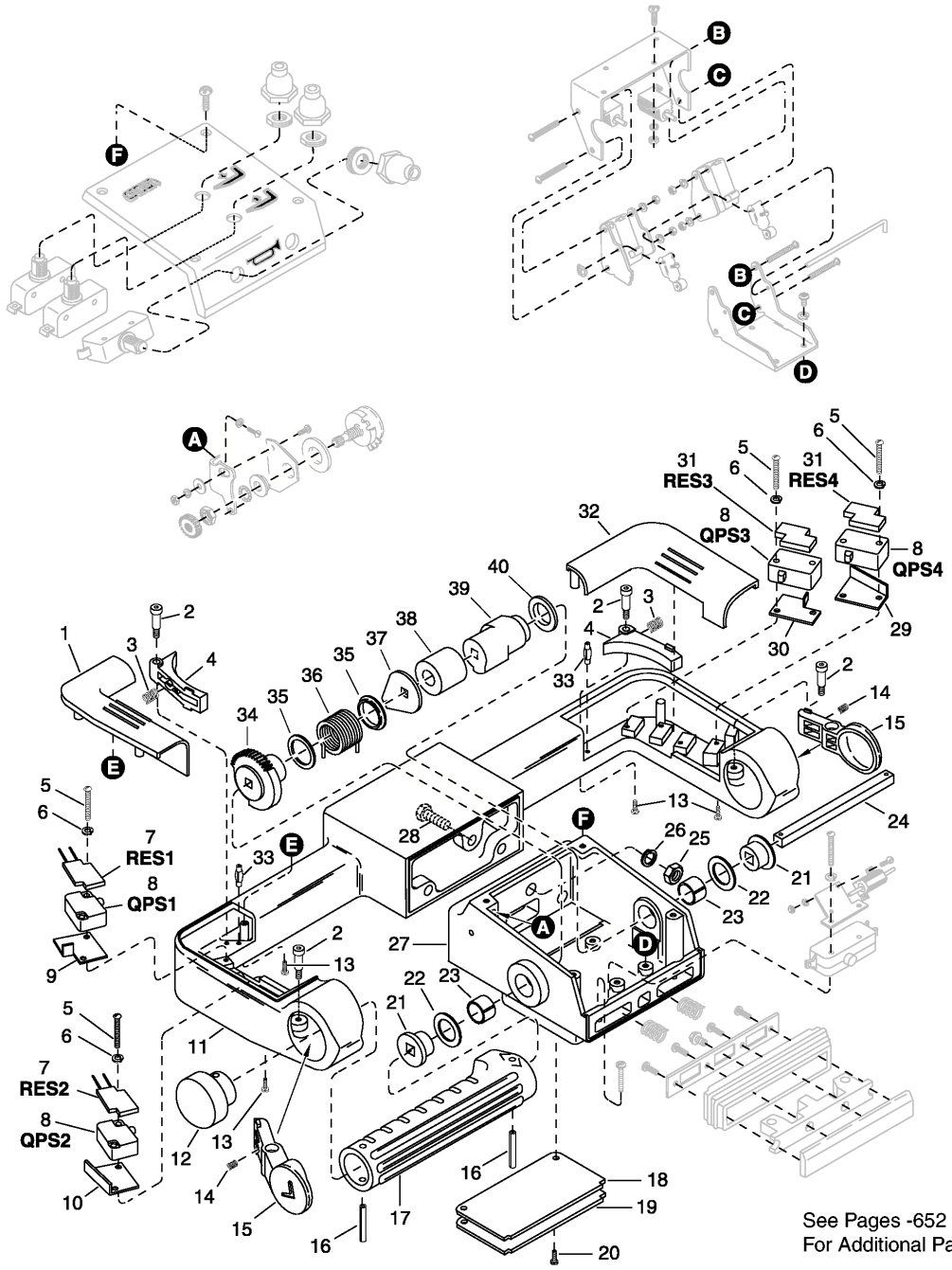
See Pages -100 & -101  
For Additional Parts.

Figure 13319

04.6-6540-102  
03 Rev. 12/05

Crown 2003 PF13500-3 Rev. 12/05

**QUICKPICK – FREEZER CORROSION**

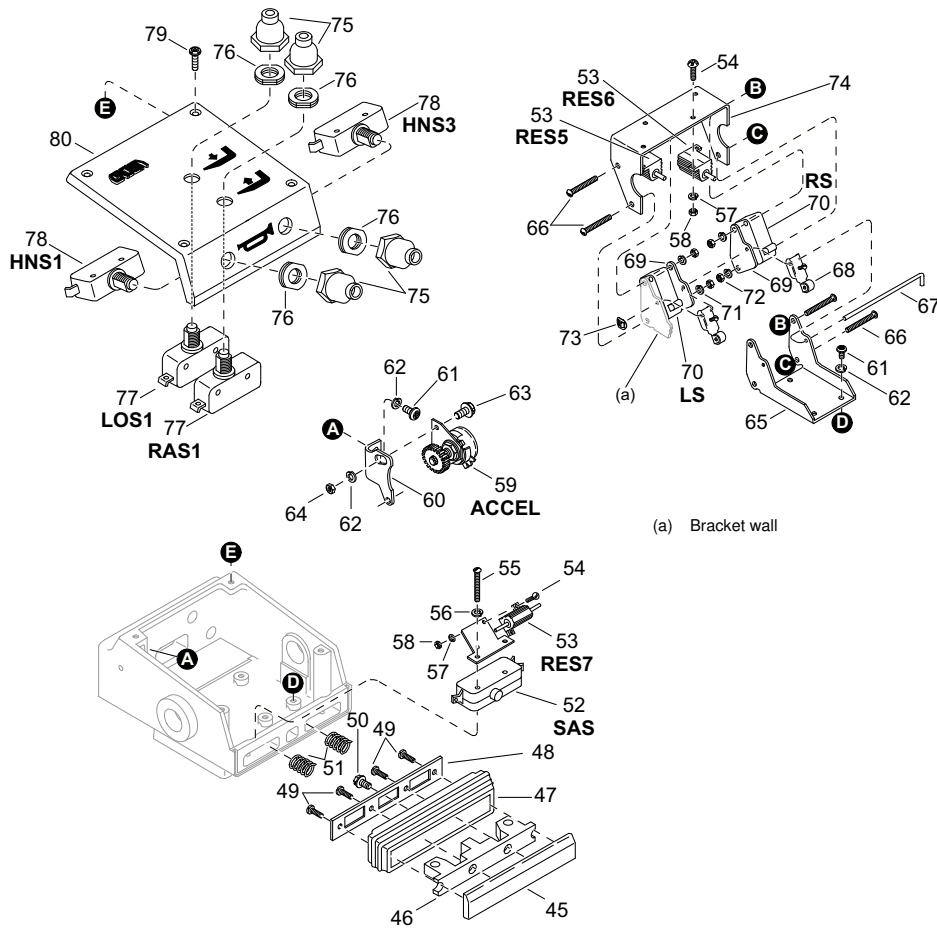


See Pages -652 & -653  
For Additional Parts.

Figure 13339

**ELECTRICAL PARTS**

**Control Pod - Quickpick® Freezer Condition**

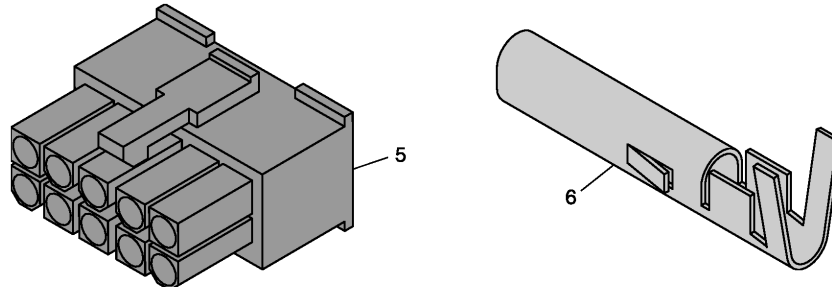


(a) Bracket wall

Figure 13240-04

04.6-6540-656  
09 Rev. 3/18  
434

Crown 2005 PF15186 Rev. 3/18



Designation	Connector (Index 5)	Contact (Index 6)	Terminal
PC401	<b>116851-005</b>	116858	N/A
PC404	<b>116851-007</b>	116858	N/A
PC405	<b>116851-008</b>	116858	N/A
JC406	N/A	N/A	<b>062007-063</b>
PC406	N/A	N/A	<b>062007-050</b>
JC407	N/A	N/A	<b>062007-063</b>
PC407	N/A	N/A	<b>062007-050</b>
JC604	N/A	N/A	<b>062007-063</b>
PC604	N/A	N/A	<b>062007-076</b>
JC605	N/A	N/A	<b>062007-064</b>
PC605	N/A	N/A	<b>062007-050</b>
JC606	N/A	N/A	<b>062007-064</b>
PC606	N/A	N/A	<b>062007-076</b>
JC607	N/A	N/A	<b>062007-063</b>
PC607	N/A	N/A	<b>062007-076</b>
JC608	N/A	N/A	<b>062007-064</b>
PC608	N/A	N/A	<b>062007-076</b>
JC609	N/A	N/A	<b>062007-064</b>
PC609	N/A	N/A	<b>062007-050</b>
JC610	N/A	N/A	<b>062007-111</b>
PC610	N/A	N/A	<b>062007-092</b>
JC611	N/A	N/A	<b>062007-111</b>
PC611	N/A	N/A	<b>062007-092</b>

N/A = Not Applicable

**Always Specify Model, Data & Serial Numbers**

**BRAKE PARTS**  
Brake System

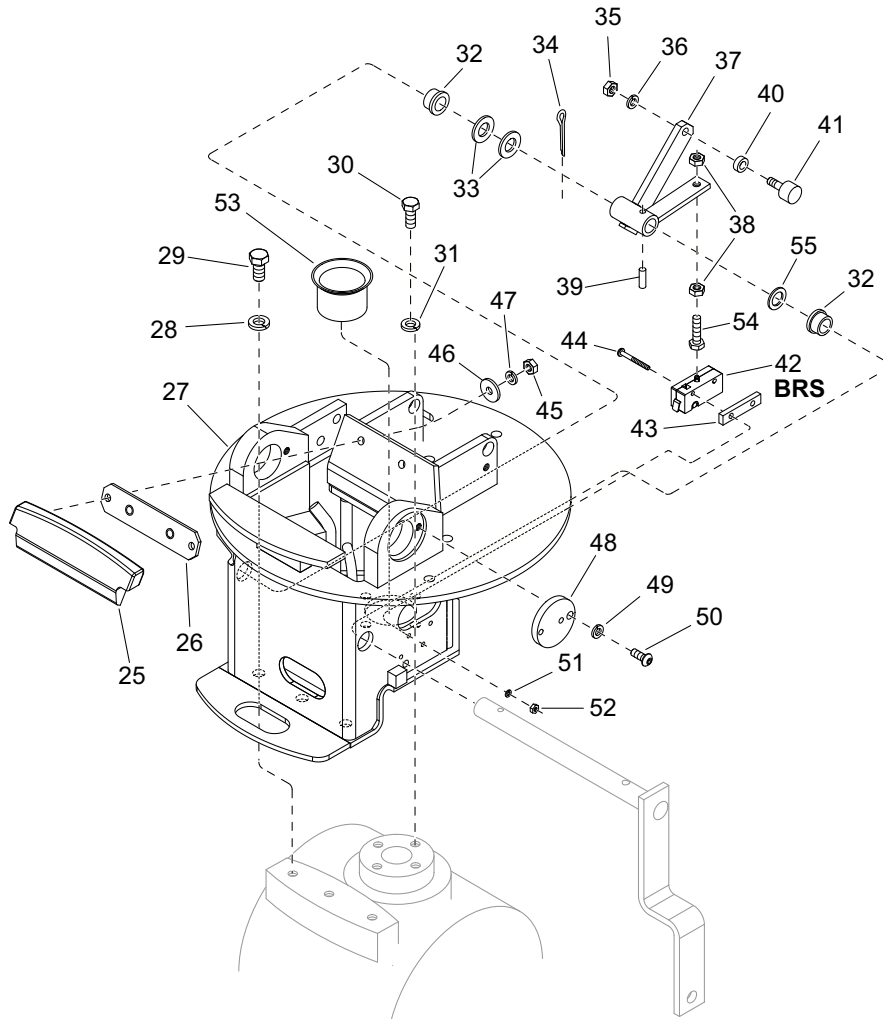


Figure 13106-03

05.0-6540-005  
06 Rev. 1/16  
36

Crown 2003 PF13492 Rev. 1/16

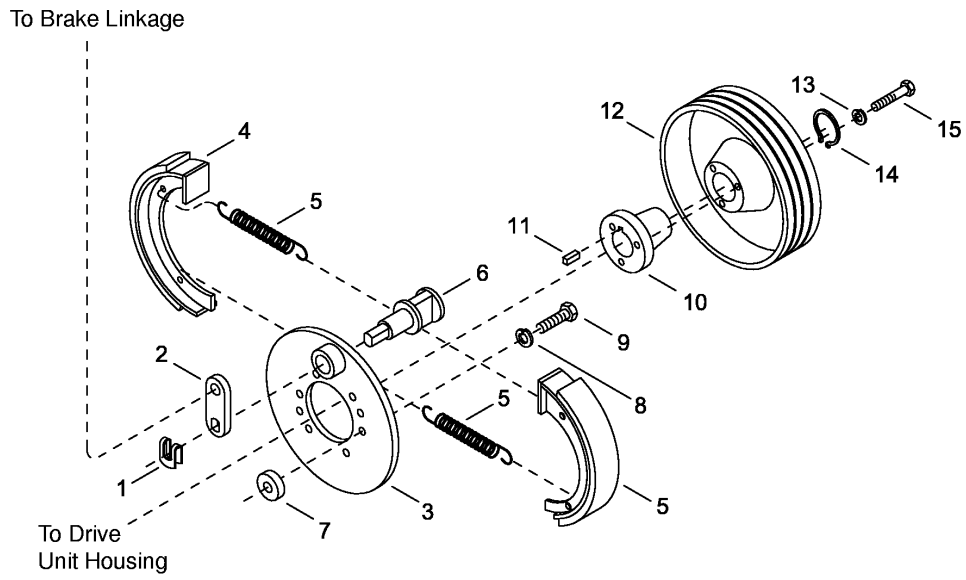


Figure 0416-01

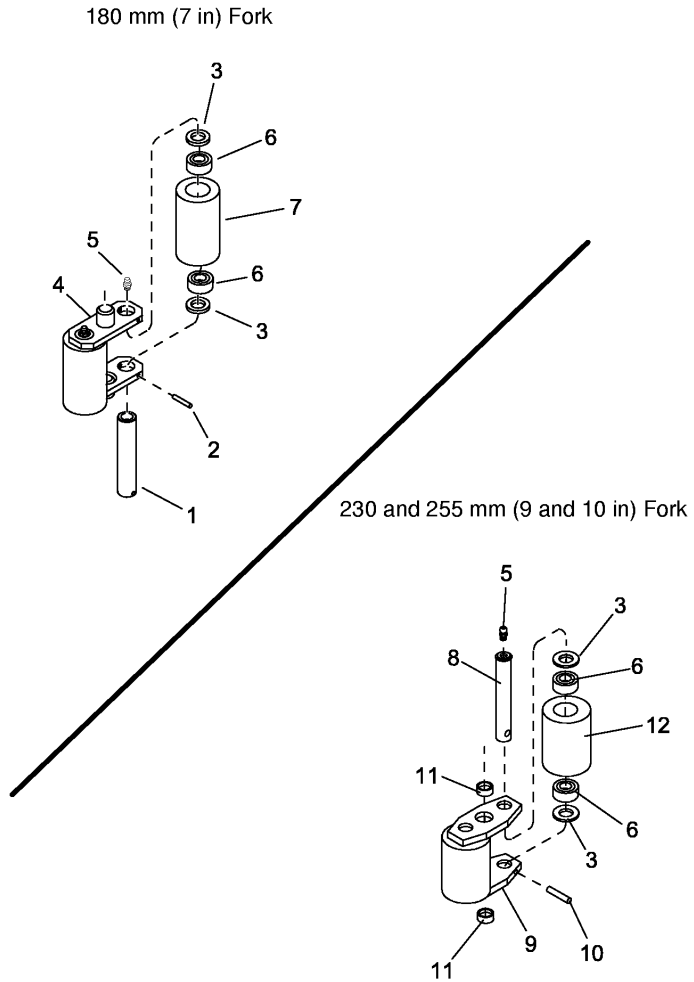
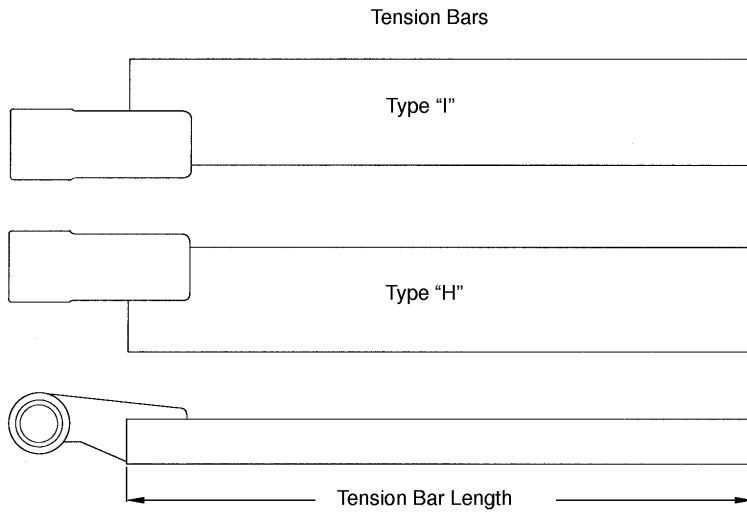


Figure 22591

**LIFTING MECHANISM PARTS**

**Lift Linkage - Single Axle**



**Index 21 - Tension Bar Kit Part No. 125237-XXX.  
See Tension Bar Kit Type in Following Charts for Dash Number.**

Figure 2263-01

CLICK HERE TO **DOWNLOAD** THE COMPLETE MANUAL

- Thank you very much for reading the preview of the manual.
- You can download the complete manual from: [www.heydownloads.com](http://www.heydownloads.com) by clicking the link below



- Please note: If there is no response to CLICKING the link, please download this PDF first and then click on it.

CLICK HERE TO **DOWNLOAD** THE COMPLETE MANUAL



## LIFTING MECHANISM PARTS

## Lift Linkage - Single Axle

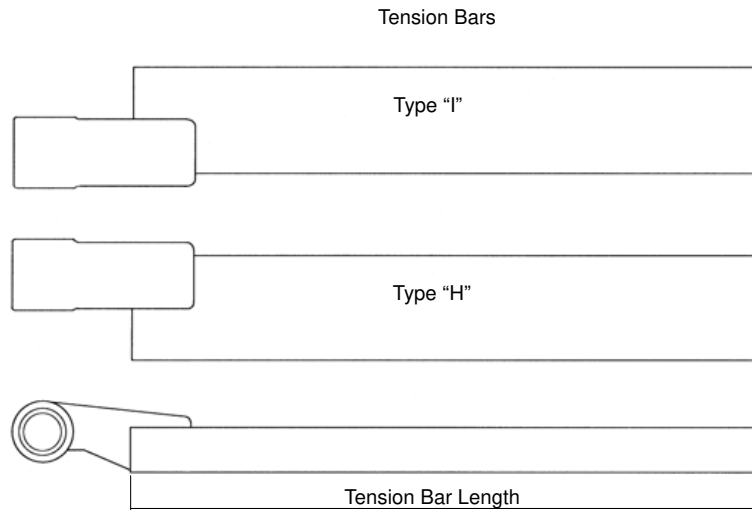
## Index 21 - PE Battery Compartment Width - 170 mm (6.69 in) - Extended Tip Fork - 24 Volt

Fork Spread		Fork Length		Tension Bar Kit Type		Tension Bar Reference Length	
mm	(in)	mm	(in)	H	I	mm	(in)
584 or 711	(23 or 28)	2134	(84)	125237-073	125237-074	1265	(49.75)
584 or 711	(23 or 28)	2362	(93)	125237-073	125237-074	1265	(49.75)
584 or 711	(23 or 28)	2440	(96)	125237-073	125237-074	1265	(49.75)
610 or 685	(24 or 27)	2134	(84)	125237-075	125237-076	1265	(49.75)
610 or 685	(24 or 27)	2362	(93)	125237-075	125237-076	1265	(49.75)
610 or 685	(24 or 27)	2440	(96)	125237-075	125237-076	1265	(49.75)
635 or 660	(25 or 26)	2134	(84)	125237-077	125237-078	1265	(49.75)
635 or 660	(25 or 26)	2362	(93)	125237-077	125237-078	1265	(49.75)
635 or 660	(25 or 26)	2440	(96)	125237-077	125237-078	1265	(49.75)

## Index 21 - PE, PR Battery Compartment Width - 335 mm (13.19 in) - Extended Tip Fork - 24 Volt

Fork Spread		Fork Length		Tension Bar Kit Type		Tension Bar Reference Length	
mm	(in)	mm	(in)	H	I	mm	(in)
584 or 711	(23 or 28)	2134	(84)	125237-079	125237-080	1415	(55.75)
584 or 711	(23 or 28)	2362	(93)	125237-079	125237-080	1415	(55.75)
584 or 711	(23 or 28)	2440	(96)	125237-079	125237-080	1415	(55.75)
610 or 685	(24 or 27)	2134	(84)	125237-081	125237-082	1415	(55.75)
610 or 685	(24 or 27)	2362	(93)	125237-081	125237-082	1415	(55.75)
610 or 685	(24 or 27)	2440	(96)	125237-081	125237-082	1415	(55.75)
635 or 660	(25 or 26)	2134	(84)	125237-083	125237-084	1415	(55.75)
635 or 660	(25 or 26)	2362	(93)	125237-083	125237-084	1415	(55.75)
635 or 660	(25 or 26)	2440	(96)	125237-083	125237-084	1415	(55.75)

LIFTING MECHANISM PARTS  
Lift Linkage - Single Axle



**Index 21 - Tension Bar Kit Part No. 125237-XXX.  
See Tension Bar Kit Type in Following Charts for Dash Number.**

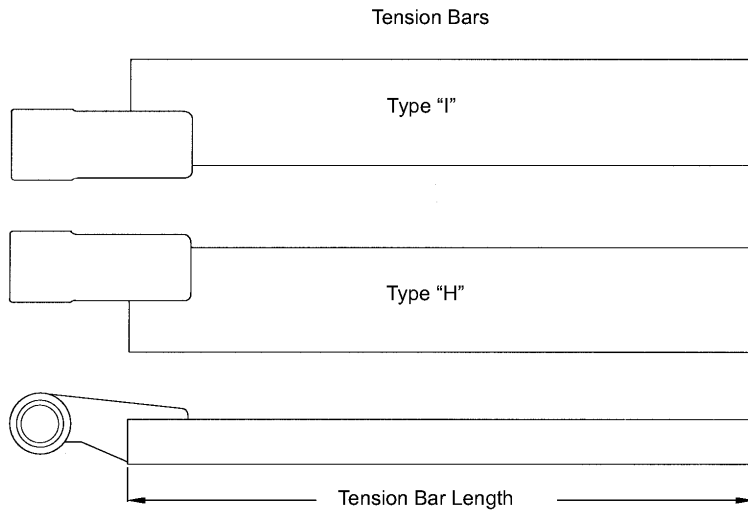
Figure 2263-01

<b>Index 21 - PE</b> <b>Battery Compartment Width - 170 mm (6.69 in)</b> <b>Fork Width - 255 mm (10 in)</b> <b>Fork Tip - Extended</b> <b>24 Volt</b>					
Fork Spread		Tension Bar Kit Type		Tension Bar Reference Length	
mm	(in)	H	I	mm	(in)
584 or 711	(23 or 28)	125237-073	125237-074	1,265	(49.75)
610 or 685	(24 or 27)	125237-075	125237-076	1,265	(49.75)
635 or 660	(25 or 26)	125237-077	125237-078	1,265	(49.75)

<b>Index 21 - PE, PR</b> <b>Battery Compartment Width - 335 mm (13.19 in)</b> <b>Fork Width - 255 mm (10 in)</b> <b>Fork Tip - Extended</b> <b>24 Volt</b>					
Fork Spread		Tension Bar Kit Type		Tension Bar Reference Length	
mm	(in)	H	I	mm	(in)
584 or 711	(23 or 28)	125237-079	125237-080	1,415	(55.75)
610 or 685	(24 or 27)	125237-081	125237-082	1,415	(55.75)
635 or 660	(25 or 26)	125237-083	125237-084	1,415	(55.75)

<b>Index 21 - PC</b> <b>Battery Compartment Width - 335 mm (13.19 in)</b> <b>Fork Width - 255 mm (10 in)</b> <b>Fork Tip - Extended</b> <b>24 Volt</b>					
Fork Spread		Tension Bar Kit Type		Tension Bar Reference Length	
mm	(in)	H	I	mm	(in)
584 or 711	(23 or 28)	125237-281	125237-282	1,965	(77.38)
610 or 685	(24 or 27)	125237-283	125237-284	1,965	(77.38)
635 or 660	(25 or 26)	125237-285	125237-286	1,965	(77.38)

**LIFTING MECHANISM**  
Lift Linkage - Tandem Axle



**Index 18 - Tension Bar Kit Part No. 123237-XXX.**  
**See Tension Bar Kit Type in Following Charts for Dash Number.**

Figure 2263-01

INDEX	PART NUMBER	PART NAME	NUMBER REQ
[1] 18	125237-199	BAR TENSION ASM	1
[1]	125237-200	BAR TENSION ASM	1
[1]	125237-201	BAR TENSION ASM	1
[1]	125237-202	BAR TENSION ASM	1
[1]	125237-203	BAR TENSION ASM	1
[1]	125237-204	BAR TENSION ASM	1
[2]	125237-205	BAR TENSION ASM	1
[2]	125237-206	BAR TENSION ASM	1
[2]	125237-207	BAR TENSION ASM	1
[2]	125237-208	BAR TENSION ASM	1
[2]	125237-209	BAR TENSION ASM	1
[2]	125237-210	BAR TENSION ASM	1

## PART NOTES:

- [1] - 170 mm (6.69 in) - Extended Tip Fork
- [2] - 335 mm (13.19 in) Extended Tip Fork

INDEX	PART NUMBER	PART NAME	NUMBER REQ
18	125237-127	BAR TENSION ASM	2
	125237-129	BAR TENSION ASM	2
	125237-131	BAR TENSION ASM	2
	125237-133	BAR TENSION ASM	2
	125237-135	BAR TENSION ASM	2
	125237-137	BAR TENSION ASM	2
	125237-139	BAR TENSION ASM	2
	125237-141	BAR TENSION ASM	2
	125237-143	BAR TENSION ASM	2
	125237-145	BAR TENSION ASM	2
	125237-147	BAR TENSION ASM	2
	125237-149	BAR TENSION ASM	2
	125237-151	BAR TENSION ASM	2
	125237-153	BAR TENSION ASM	2
	125237-155	BAR TENSION ASM	2
	125237-181	BAR TENSION ASM	2
	125237-183	BAR TENSION ASM	2
	125237-185	BAR TENSION ASM	2
	125237-128	BAR TENSION ASM	2
	125237-130	BAR TENSION ASM	2
	125237-132	BAR TENSION ASM	2
	125237-134	BAR TENSION ASM	2
	125237-136	BAR TENSION ASM	2
	125237-138	BAR TENSION ASM	2
	125237-140	BAR TENSION ASM	2
	125237-142	BAR TENSION ASM	2
	125237-144	BAR TENSION ASM	2
	125237-146	BAR TENSION ASM	2
	125237-148	BAR TENSION ASM	2
	125237-150	BAR TENSION ASM	2
	125237-152	BAR TENSION ASM	2
	125237-154	BAR TENSION ASM	2
	125237-156	BAR TENSION ASM	2
	125237-182	BAR TENSION ASM	2
	125237-184	BAR TENSION ASM	2
	125237-186	BAR TENSION ASM	2

<b>INDEX</b>	<b>PART NUMBER</b>	<b>PART NAME</b>	<b>NUMBER REQ</b>
16	060030-050	FLATWASHER	4

## Lift Linkage - Tandem Axle 180 mm (7 in) Forks

INDEX	PART NUMBER	PART NAME	NUMBER REQ
1	116993	SHAFT	2
2	060000-068	PIN ROLL	2
3	083939	COVER	2
4	060015-010	SCREW 1/4"	8
	060015-053	SCREW 1/4"	4
5	060005-032	LOCKWASHER	8
6	060000-036	PIN ROLL	2
7	116801	PIN	2
8	060017-007	SCREW 3/8"	4
9	060005-009	LOCKWASHER	4
10	115518	AXLE WELDMENT	2
11	060017-032	SCREW 3/8"	2
12	060005-009	LOCKWASHER	2
13	060030-026	FLATWASHER	2
14	082129	NUT	2
15	115515	AXLE	2
16	060017-007	SCREW 3/8"	2
17	127349	CLIP RETAINER	2
	061004-026	ADHESIVE THREAD LOCKING	AR
18	115521	SHAFT WELDMENT	2
19	060000-109	ROLL PIN	2
20	065117-001	BUSHING HTX	8
21	115516	LINK INBOARD ASM	2
22	076048	FITTING LUBRICATION	8
23	065117-002	BUSHING HTX	4
24	117003-001	BAR TENSION END ASM	1
	117003-002	BAR TENSION END ASM	1
	117003-003	BAR TENSION END ASM	1
25	065117-003	BUSHING HTX	6
26	115517	LINK OUTBOARD ASM	2
27	060030-050	FLATWASHER	8
28	060000-068	PIN ROLL	2

---

INDEX	PART NUMBER	PART NAME	NUMBER REQ
	117394-001	BATTERY 24 VOLT	
	117395-001	BATTERY 24 VOLT	
	117396-001	BATTERY 24 VOLT	
	117397-001	BATTERY 24 VOLT	
	117399-001	BATTERY 24 VOLT	
	117400-002	BATTERY 24 VOLT	
	117401-001	BATTERY 24 VOLT	
	119114	BATTERY SPACER WELDMENT	
	119118	BATTERY SPACER WELDMENT	
	119124	BATTERY RETAINER WELDMENT LH	
	119123	BATTERY RETAINER WELDMENT RH	
	119104	BATTERY RETAINER WELDMENT LH	
	119103	BATTERY RETAINER WELDMENT RH	
	119120	BATTERY RETAINER WELDMENT LH	
	119119	BATTERY RETAINER WELDMENT RH	
	119100	BATTERY RETAINER WELDMENT LH	
	119099	BATTERY RETAINER WELDMENT RH	

**LIFTING MECHANISM PARTS**  
**Fork**



230 mm and 255 mm (9 in and 10 in)

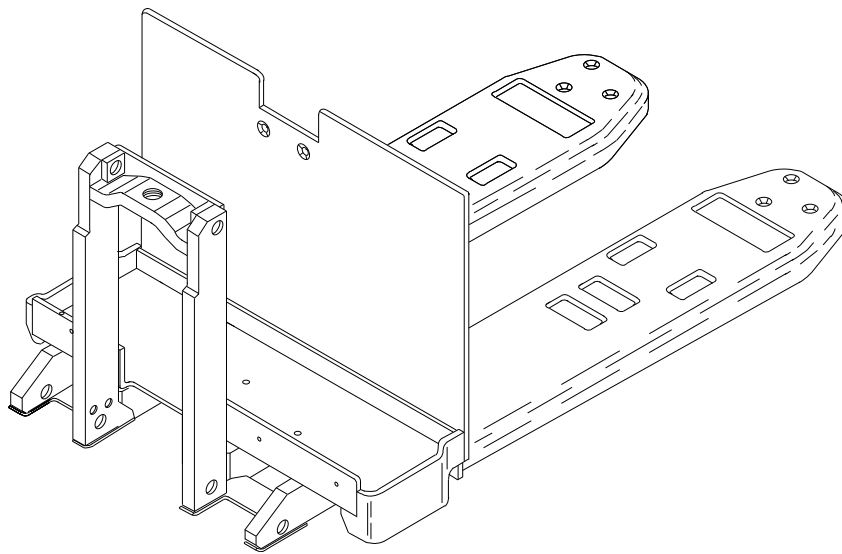
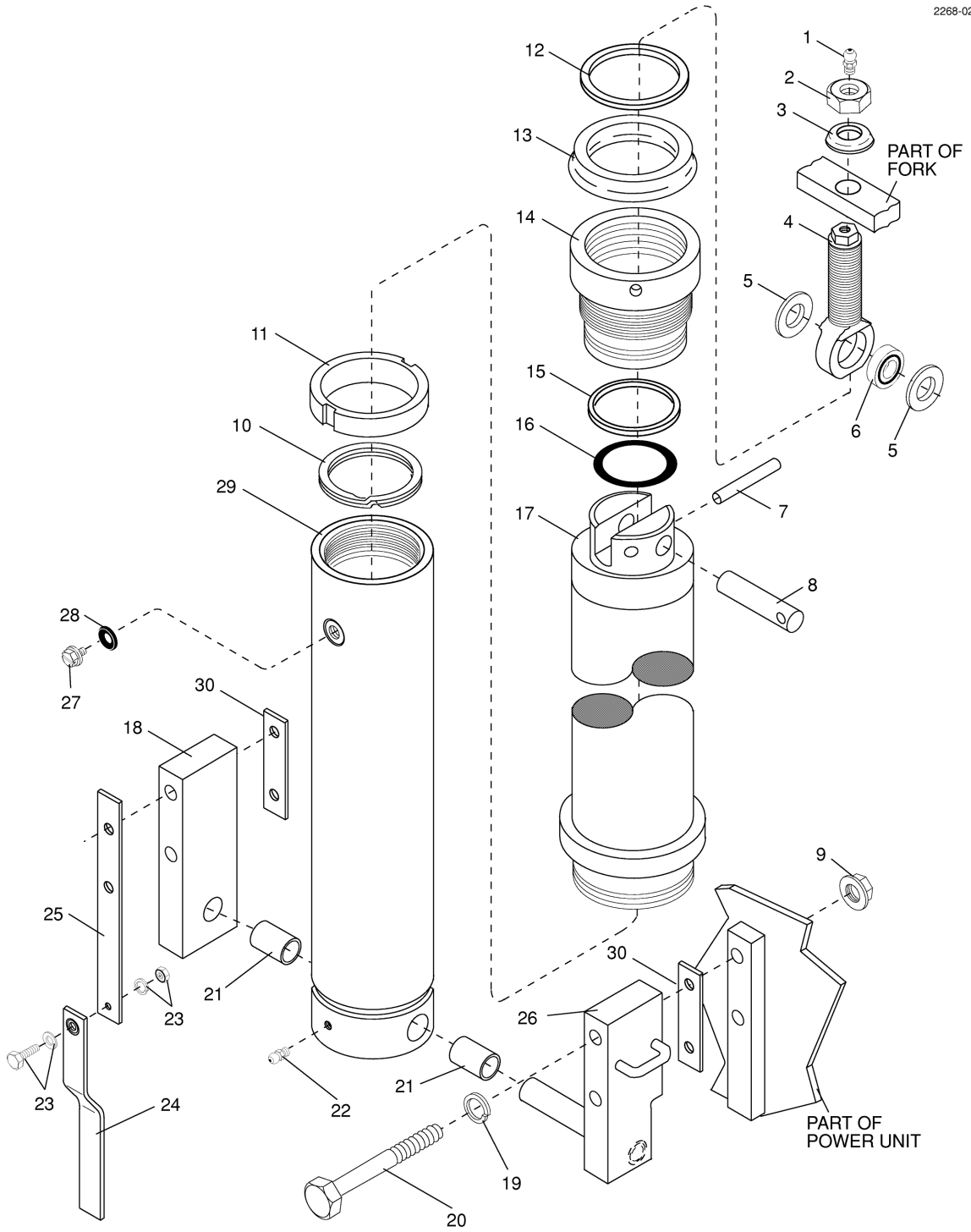


Figure 3491-01

07.9-6435-003  
03 Rev. 3/16  
456

Crown 1994 PF10440 Rev. 3/16

2268-02



---

INDEX	PART NUMBER	PART NAME	NUMBER REQ
0	131380	KIT STD WORKASSIST TUBE	1
1	131281	BRACKET WELDMENT	1
2	069478	WARNING WORK ASSIST	1
3	065004-035	GROMMET	2
4	060017-092	SCREW 3/8"	2
5	060080-001	NUT FLANGE	2
6	060015-007	SCREW 1/4"	4
7	060080-006	HEX FLANGE NUT	4
8	124530	PLUG TUBE	1
0	131381	KIT EXT WORKASSIST TUBE	1
9	131291	TUBE EXTENSION	1
10	131289	COUPLER	1
11	060062-019	SCREW M6	4

---

INDEX	PART NUMBER	PART NAME	NUMBER REQ
1	131278	WELDMENT TRAY	1
2	131277-002	SPACER	2
3	060017-108	SCREW .375	4
	060017-108	SCREW .375	2
4	060021-011	NUT	4
	060021-011	NUT	2
5	158450	WELDMENT SHRINK WRAP HOLDER	1

---

INDEX	PART NUMBER	PART NAME	NUMBER REQ
1	134791-001	MODULE INFOLINK PROX	1
2	060062-040	SCREW M6	2
3	139899	BRACKET ILM	1
4	060005-005	LOCKWASHER	4
5	060061-006	SCREW M5	4
6	128362	CLAMP UPPER MACHINING	1
7	127697	CLAMP LOWER CASTING	1
8	060062-060	SCREW M6X30	2
9	145969	BRACKET WELDMENT	1
10	149674	MODULE SENSOR IMPACT	1
11	060030-074	FLATWASHER	2
12	060042-016	NUT SELF LOCKING	2
13	060062-016	SCREW M6	6
14	154066	BRACKET UNIVERSAL	1
15	162123-004	MOD INFOLINK HD1000 PROG TRK	1

CLICK HERE TO **DOWNLOAD** THE COMPLETE MANUAL

- Thank you very much for reading the preview of the manual.
- You can download the complete manual from: [www.heydownloads.com](http://www.heydownloads.com) by clicking the link below



- Please note: If there is no response to CLICKING the link, please download this PDF first and then click on it.

CLICK HERE TO **DOWNLOAD** THE COMPLETE MANUAL