

FC 4000 Series



CLICK HERE TO **DOWNLOAD** THE COMPLETE MANUAL

- Thank you very much for reading the preview of the manual.
- You can download the complete manual from: www.heydownloads.com by clicking the link below



- Please note: If there is no response to CLICKING the link, please download this PDF first and then click on it.

CLICK HERE TO **DOWNLOAD** THE COMPLETE MANUAL

Model Number(s)	Index 4 Counterweight	Index 5		Index 6	
		Auxiliary Counterweight	Screw	Auxiliary Counterweight	Screw
4010-40, 4020-40, 4020-50, 4040-50, 4010-2.0, 4020-2.0, 4020-2.5 & 4040-2.5	126886				
4010-50, 4020-55, 4020-60, 4040-55, 4040-60, 4010-2.5, 4020-3.0 & 4040-3.0	126887				
4020-50, 4020-60, 4020-2.5 & 4020-3.0		Contact Factory	060099-004	Contact Factory	060099-004
4010-40, 4010-50, 4040-50, 4020-55, 4010-2.0, 4010-2.5 & 4040-2.5		Contact Factory	060099-005	Contact Factory	060099-005

- [10] - 685 mm (27 in) Battery Compartment
840 mm (33 in) Battery Compartment
order qty 8
915 mm (36 in) Battery Compartment
order qty 10
- [11] - 915 mm (36 in) Battery Compartment
order qty 6
685 mm (27 in) Battery Compartment
840 mm (33 in) Battery Compartment
order qty 4
- [12] - Without Battery Doors

	INDEX	PART NUMBER	PART NAME	NUMBER REQ
[1]	1	127571	CHANNEL WELDMENT	1
[2]		129353	CHANNEL WELDMENT	1
		050005-059	SCREW M6 CAP	3
		061004-026	ADHESIVE THREAD LOCKING	1
	2		Label	1
	3	078723-001	CONNECTOR HOUSING GRAY 350	1
		078723-003	CONNECTOR HOUSING RED 350	1
		078723-006	CONNECTOR HOUSING BLUE 350	1
		078723-009	CONNECTOR HOUSING YELLOW 350	1
[3]		108801-001	CONNECTOR HOUSING SBE320 GRAY	1
[3]		108801-003	CONNECTOR HOUSING SBE 320 RED	1
[3]		108801-006	CONNECTOR HOUSING SBE320 BLUE	1
		108801-008	CONNECTOR HOUSING SBE 320 YELLOW	1
		108802-001	CONTACT PIN 350 AMP #2/0	2
		050007-014	SCREW M6 X 50 HEX	2
		050008-015	NUT HEX	2
[4]	4	129176-001	ROLLER ASSEMBLY	2
[4]		129176-001	ROLLER ASSEMBLY	4
[5]		121619-001	SHAFT ROLLER	1
[5]		129177-001	ROLLER	1
[5]		065081-018	BEARING BALL	2
[6]		129176-003	ROLLER ASSEMBLY	3
[6]		129176-003	ROLLER ASSEMBLY	1
[5]		121619-007	SHAFT	1
[5]		129177-003	ROLLER	1
[5]		065081-018	BEARING BALL	2
	5	128249	COVER LIFT MOTOR WELDMENT	1
[7]	6	127052-001	COVER WELDMENT RH	1
[8]		127052-002	COVER WELDMENT RH	1
[9]		127052-003	COVER WELDMENT RH	1
[10]	7	128472-001	RETAINER WELDMENT	1
[11]		128472-002	RETAINER WELDMENT	1
[12]		128472-003	RETAINER WELDMENT	1
	8	060063-022	SCREW M8	4
	9	050006-050	SCREW	2
		050009-026	FLATWASHER	2
		050068-004	NUT DURLOCK M10 SC	2
	10	050025-010	BOLT CARRIAGE	4
		128511	BUSHING	4
		050009-025	WASHER 10.5X30X2.5 FLAT	4
		050068-004	NUT DURLOCK M10 SC	4
	11	128178	HOOK WELDMENT BATTERY WALL RH	1
		050025-010	BOLT CARRIAGE	2
		050068-004	NUT DURLOCK M10 SC	2
[7]	12	127044-001	COVER WELDMENT LH	1
[8]		127044-002	COVER WELDMENT LH	1
[9]		127044-003	COVER WELDMENT LH	1
[7]	13	128475-001	STRIP WELDMENT LOWER LH	1
[8]		128475-002	STRIP WELDMENT LOWER LH	1

INDEX	PART NUMBER	PART NAME	NUMBER REQ
	128669	SPACER BATTERY 76 MM	
	128667	SPACER BATTERY 28 MM	
	128668	SPACER BATTERY 57 MM	
	129502	KIT BATTERY SPACER 57MM	
	129501	KIT BATTERY SPACER 28MM	
	129503	KIT BATTERY SPACER 76MM	

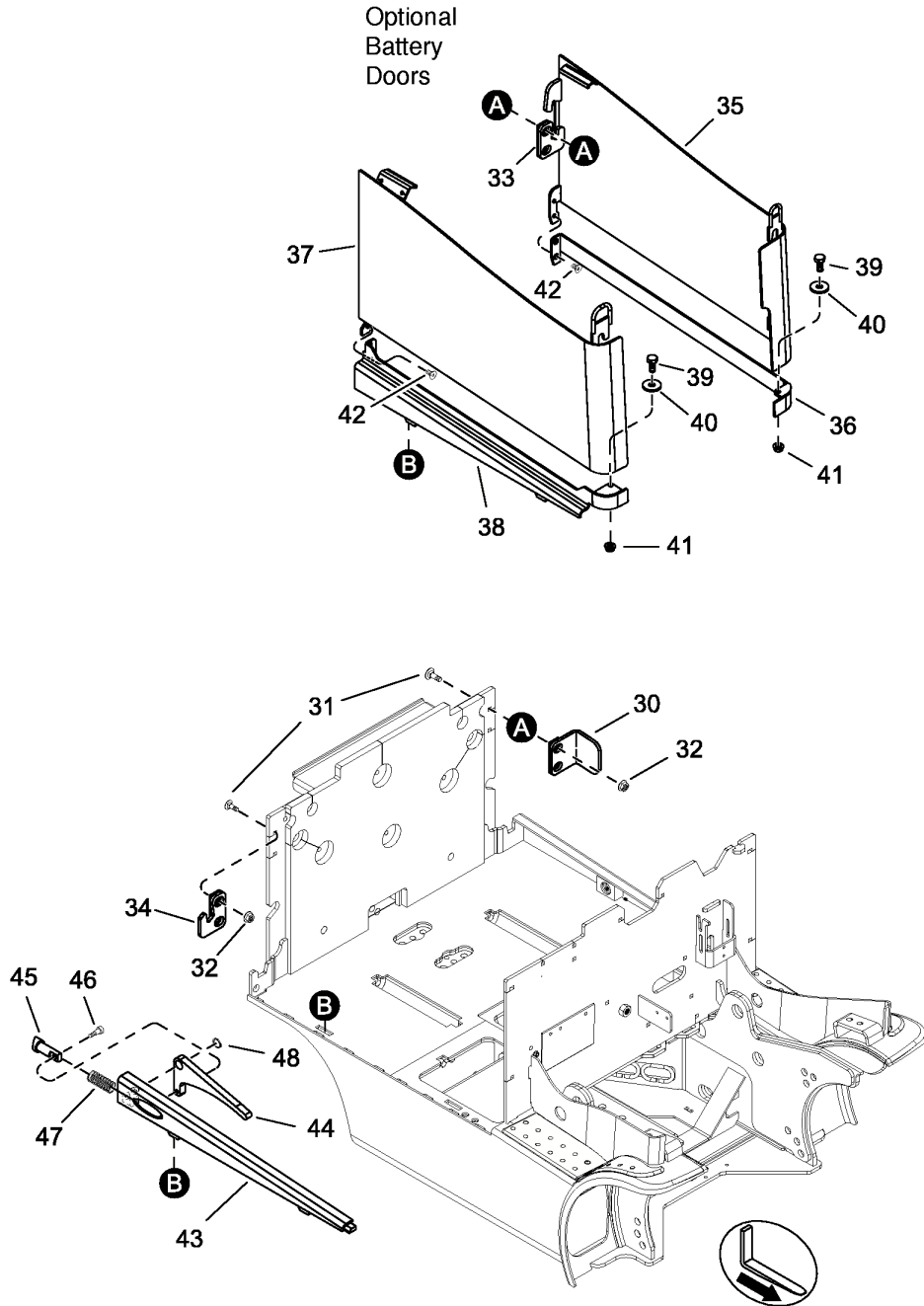


Figure 24204

COVERS
Battery Spacers & Retainers

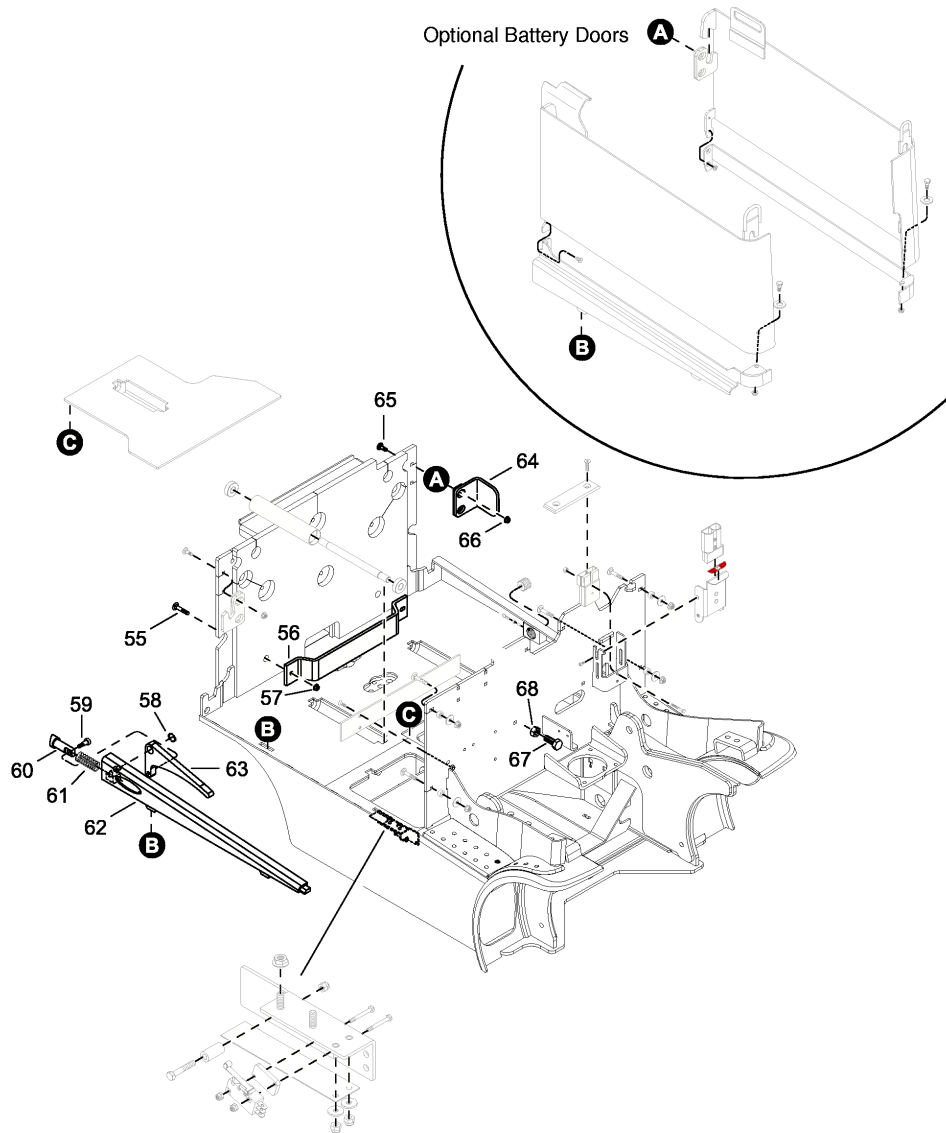


Figure 14593

01.2-2040-017
 01 Rev. 01/10
 6

Crown 2006 PF15457-5 Rev. 01/10

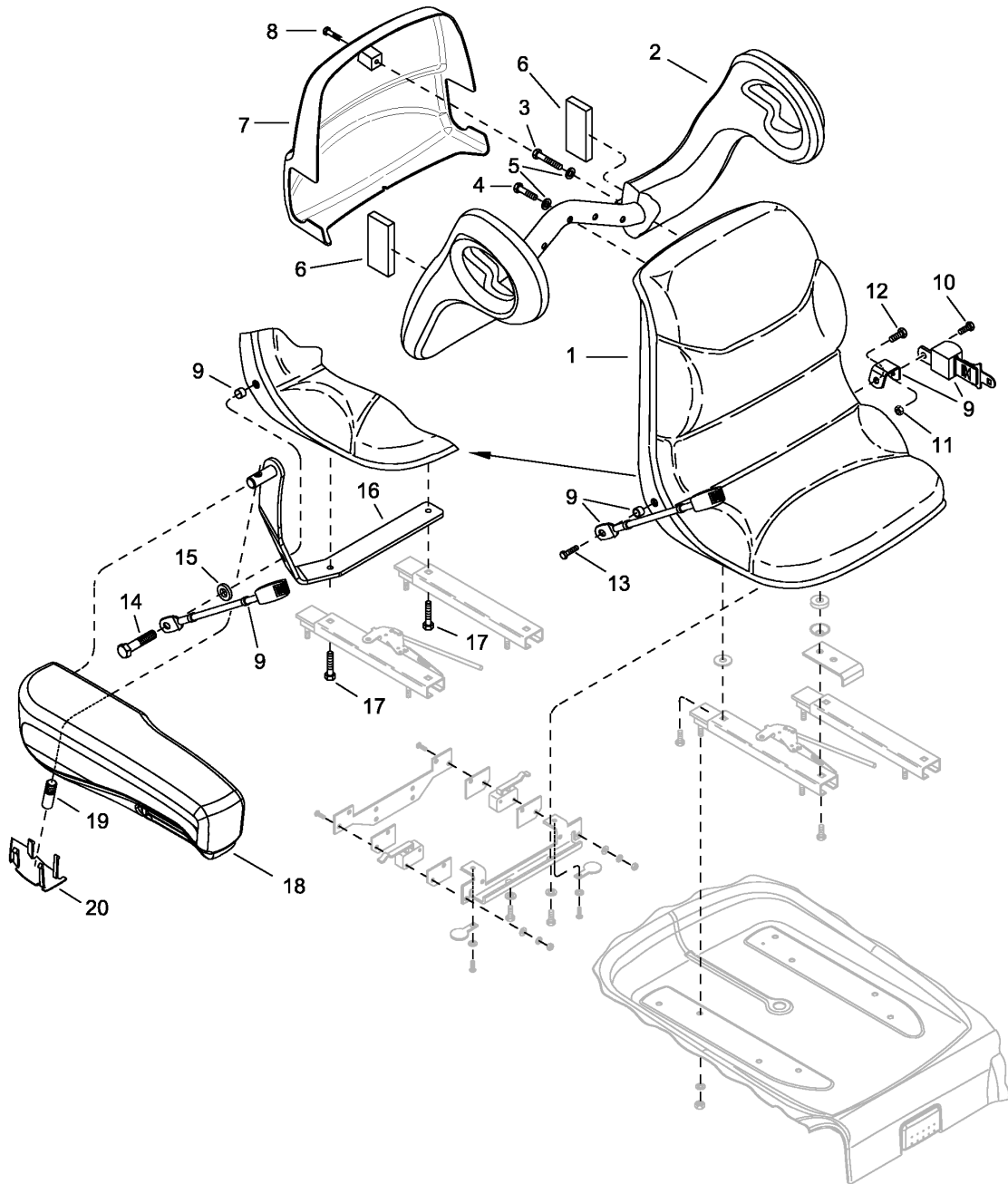


Figure 16387-01

HYDRAULIC PARTS
Suction Line Hydraulics

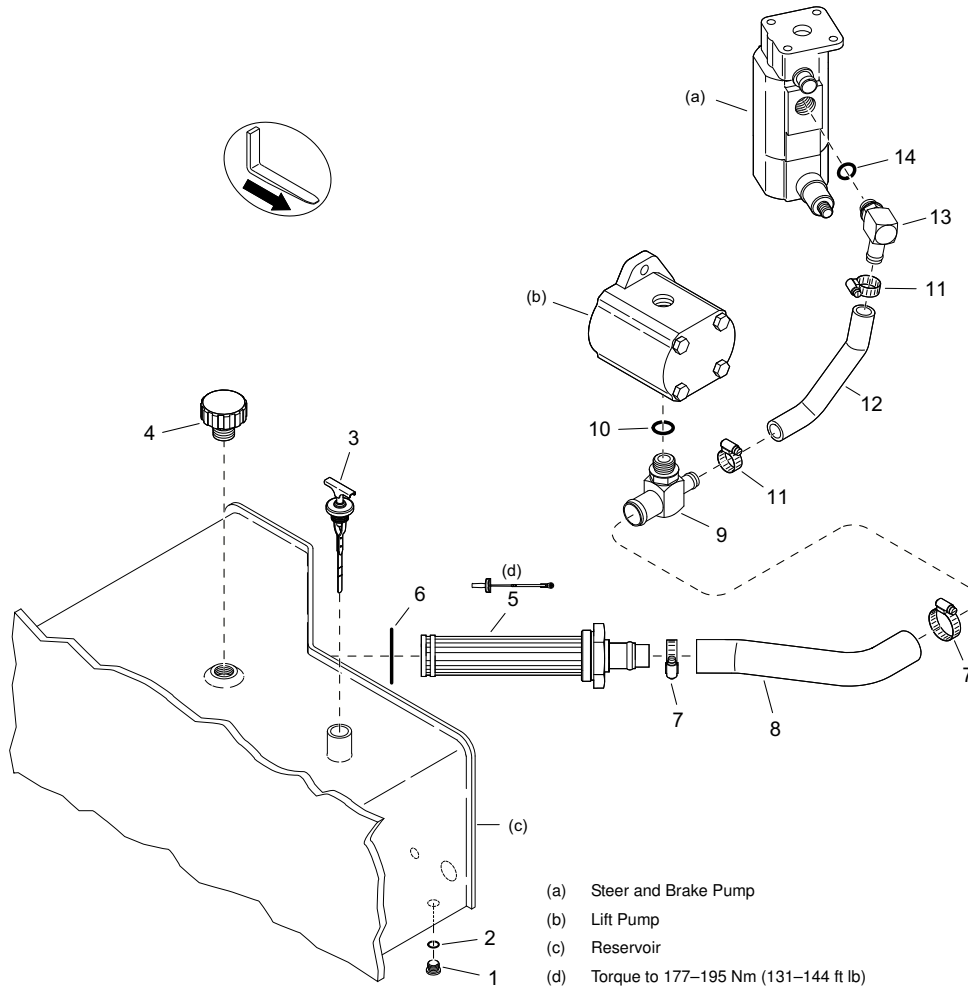


Figure 16412-01

	INDEX	PART NUMBER	PART NAME	NUMBER REQ
[1]	1	064280-006	ADAPTER ORFS ORB 90 DEGREE	3
	2	064019-029	O-RING	8
	3	064019-101	O-RING	13
	4	064337-001	HOSE ASM	1
	5	064322-001	HOSE ASM	1
[1]	6	064327-006	ELBOW	1
[1]	7	064279-007	ORFS ORB ADAPTER	1
	8	064019-030	O-RING	2
[1]	9	064296-006	ELBOW 90 SWIVEL ORFS	1
[1]	10	064280-002	ADAPTER ORFS ORB 90 DEGREE	1
	11	130254	TUBE ASM TILT RETRACT	1
	12	130253	TUBE ASM TILT EXTEND	1
[1]	13	064281-003	ORFS ORB 45 ADAPTER	2
	14	128194	PLATE	1
	15	050006-040	SCREW M8X60 HEX HE	2
	16	050068-003	NUT FLANGED M8	2
	17	064319-006	TEE ORFS-ORB RUN	2
	18	064323-001	HOSE ASM	1
	19	064338-001	HOSE ASM	1
	20	127341-003	EDGING	1
	21	127341-004	EDGING	1
[1]	22	064279-001	ORFS-ORB ADAPTER	1
	23	064019-045	O-RING	1
	24	064019-102	O-RING	1
	25	064321-001	HOSE ASM	1
[2]		064281-006	ORFS-ORB 45 ADAPTER	1

PART NOTES:

- [1] - Includes O-Rings
- [2] - Includes O-Rings, Quad Mast, Not Shown

INDEX	PART NUMBER	PART NAME	NUMBER REQ	
	1	064019-029	O-RING	4
[1]	2	064279-010	ORFS ORB ADAPTER	1
[2]		064143-015	HOSE NIPPLE	1
[3]	3	064019-101	O-RING	1
[4]		061022-014	CLAMP	1
[3]	4	128113	TUBE ASM	1
[4]		064100-129	HOSE	1
	5	064019-100	O-RING	1
[4]		061022-014	CLAMP	1
[5]	6	064279-011	Adapter	1
[6]		064143-016	HOSE NIPPLE	1
[7]	7	064019-076	O-RING	4
	8	127965	FILTER	1
		077145	FILTER ELEMENT	1
	9	050006-026	SCREW	2
[4]	10	061022-014	CLAMP	2
[6]	11	064143-016	HOSE NIPPLE	1
	12	127341-005	EDGING	1
	13	126879	TUBE ASM	1
[8]	14		Retainer	1
	15	064019-049	O-RING	1
	16	064074-040	RING BACK-UP	1
[3]	17	064100-125	HOSE	1
[4]		064100-128	HOSE	1
[9]	18	064083-014	INSERT BEADED	3
	19	061091-001	CLAMP SAE J1508 TYPE E	6
	20	064100-126	HOSE	1
	21	064100-127	HOSE	1
[9]	22	064143-009	HOSE NIPPLE 90	1
	23	061022-015	CLAMP	2
	24	127958	HOSE	1
[9]	25	064083-009	INSERT BEADED	1
	26	064316-001	Y FITTING	1
	27	064100-124	HOSE	1

PART NOTES:

- [1] - Includes Both O-Rings *See Note
Includes Both O-Rings
- [2] - Includes O-Ring Side Service Pump Motor
- [3] - *See Note
- [4] - Side Service Pump Motor
- [5] - Includes Both O-Rings *See Note
- [6] - Includes O-Ring Side Service Pump Motor *See Note
Includes O-Ring
- [7] - PF26564 High Temperature O-Ring Kit Instructions
- [8] - See Pressure Line Hydraulics - Section 02.0
- [9] - Includes O-Ring

INDEX	PART NUMBER	PART NAME	NUMBER REQ
[1]	1	Hose	2
[1]		Hose	4
	2	129667 RE-OP INSERT CLAMP	6
	3	129265 GUIDE	3
	4	060063-023 SCREW M8X40 HEX SOC BUTTON HD	4
	5	060059-001 NUT METRIC	6
	6	129284-001 PIN METRIC	2
	7	129666 WLMT BRKT ACCY HOSE	1
	8	060075-009 SCREW M10 X 20	2
[2]	9	064296-008 ADAPTER ORFS SWIVEL 90	2
[2]		064296-008 ADAPTER ORFS SWIVEL 90	4
[3]	10	064019-100 O-RING	2
[3]		064019-100 O-RING	6
[4]	11	130055 TUBE ASSY TL ACCY	-
[4]		130055 TUBE ASSY TL ACCY	1
[4]	12	130054 TUBE ASSY TL ACCY	-
[4]		130054 TUBE ASSY TL ACCY	1

PART NOTES:

- [1] - One Accessory - qty 2 hoses
Two Accessories - qty 4 hoses
- [2] - One Accessory, Includes O-Ring - qty 2
Two Accessories, Includes O-Ring - qty 4
- [3] - One Accessory - qty 2
Two Accessoreis - qty 6
- [4] - One Accessory - qty 0
Two Accessories - qty 1

INDEX	PART NUMBER	PART NAME	NUMBER REQ
3	131811-196	BRACKET ACCESSORY WLDT	1
	131811-203	BRACKET ACCESSORY WLDT	1
	131811-211	BRACKET ACCESSORY WLDT	1
	131811-218	BRACKET ACCESSORY WLDT	1
	131811-226	BRACKET ACCESSORY WLDT	1
	131811-233	BRACKET ACCESSORY WLDT	1
	10	064360-196	HOSE ASM 30CT-06
064360-203		HOSE ASM 30CT-06	2
064360-211		HOSE ASM 30CT-06	2
064360-218		HOSE ASM 30CT-06	2
064360-226		HOSE ASM 30CT-06	2
064360-233		HOSE ASM 30CT-06	2
16		131808-196	CHANNEL ACCESSORY WLDT
	131808-203	CHANNEL ACCESSORY WLDT	1
	131808-211	CHANNEL ACCESSORY WLDT	1
	131808-218	CHANNEL ACCESSORY WLDT	1
	131808-226	CHANNEL ACCESSORY WLDT	1
	131808-233	CHANNEL ACCESSORY WLDT	1

INDEX	PART NUMBER	PART NAME	NUMBER REQ
1	060063-015	SCREW M8	2
2	060059-020	NUT METRIC	8
3		Bracket	1
4	060063-023	SCREW M8X40 HEX SOC BUTTON HD	2
5	151453	INSERT CLAMP	4
6	131705	GUIDE	2
7	123281	CLAMP	2
8	060062-022	SCREW M6	1
9		Hose	2
10	064325-006	NUT BULKHEAD ORFS	4
11	064355-006	BULKHEAD STRAIGHT ORFS	4
12	060120-003	SCREW SHOULDER METRIC 8 X 40	2
13	060062-002	SCREW M6	1
14	060030-092	FLATWASHER	1
15	060059-011	NUT METRIC	6
16		Channel	1
17	060075-013	SCREW M10	2
18	060059-069	M10 HEX FLANGE HEAD LOCKNUT	2
19	060063-106	SCREW M8	2
20	060030-294	FLATWASHER	8
21	060030-375	WASHER FLAT	4
22	060030-285	FLATWASHER	4

Control Valve - Four Spool

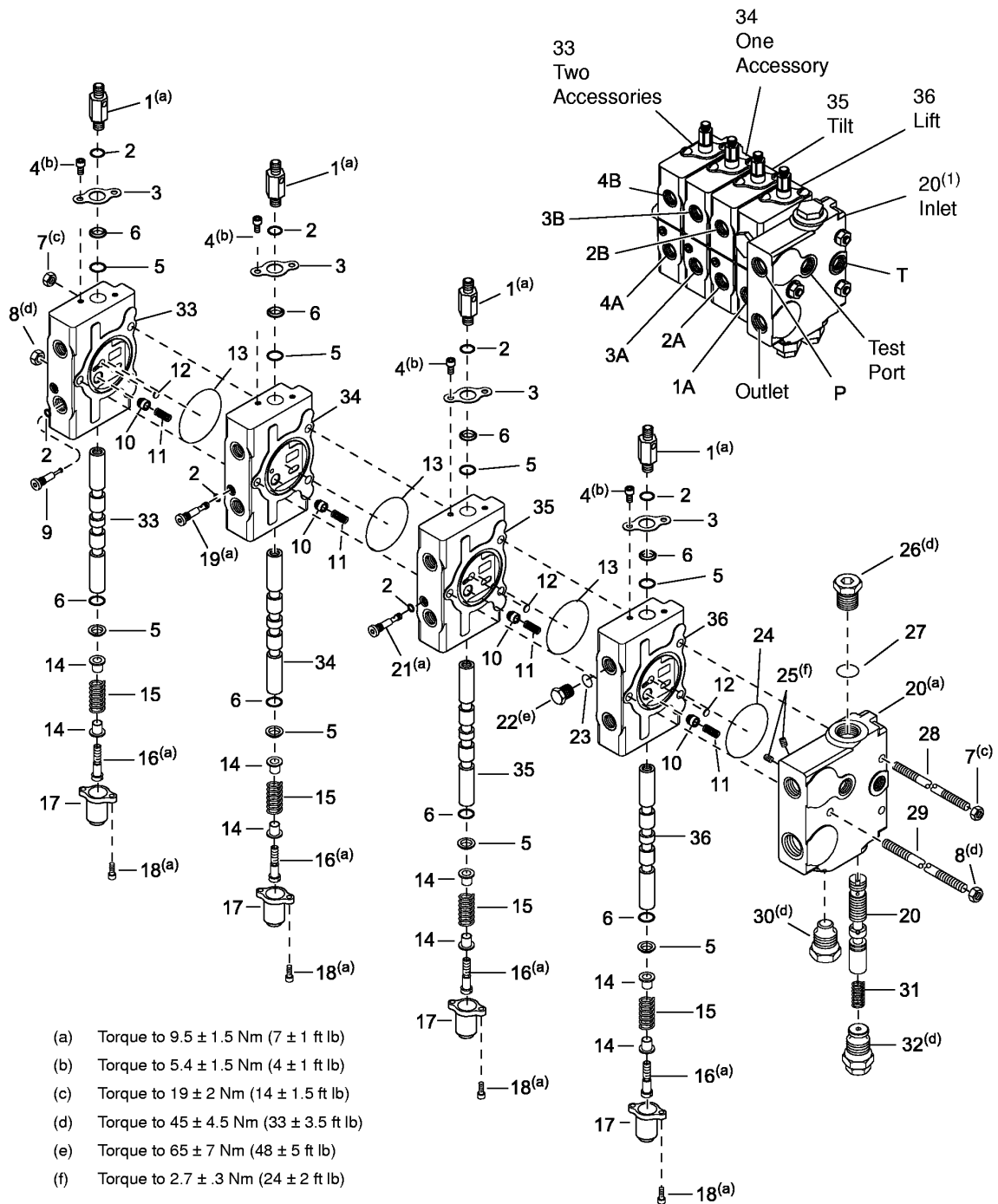


Figure 18984

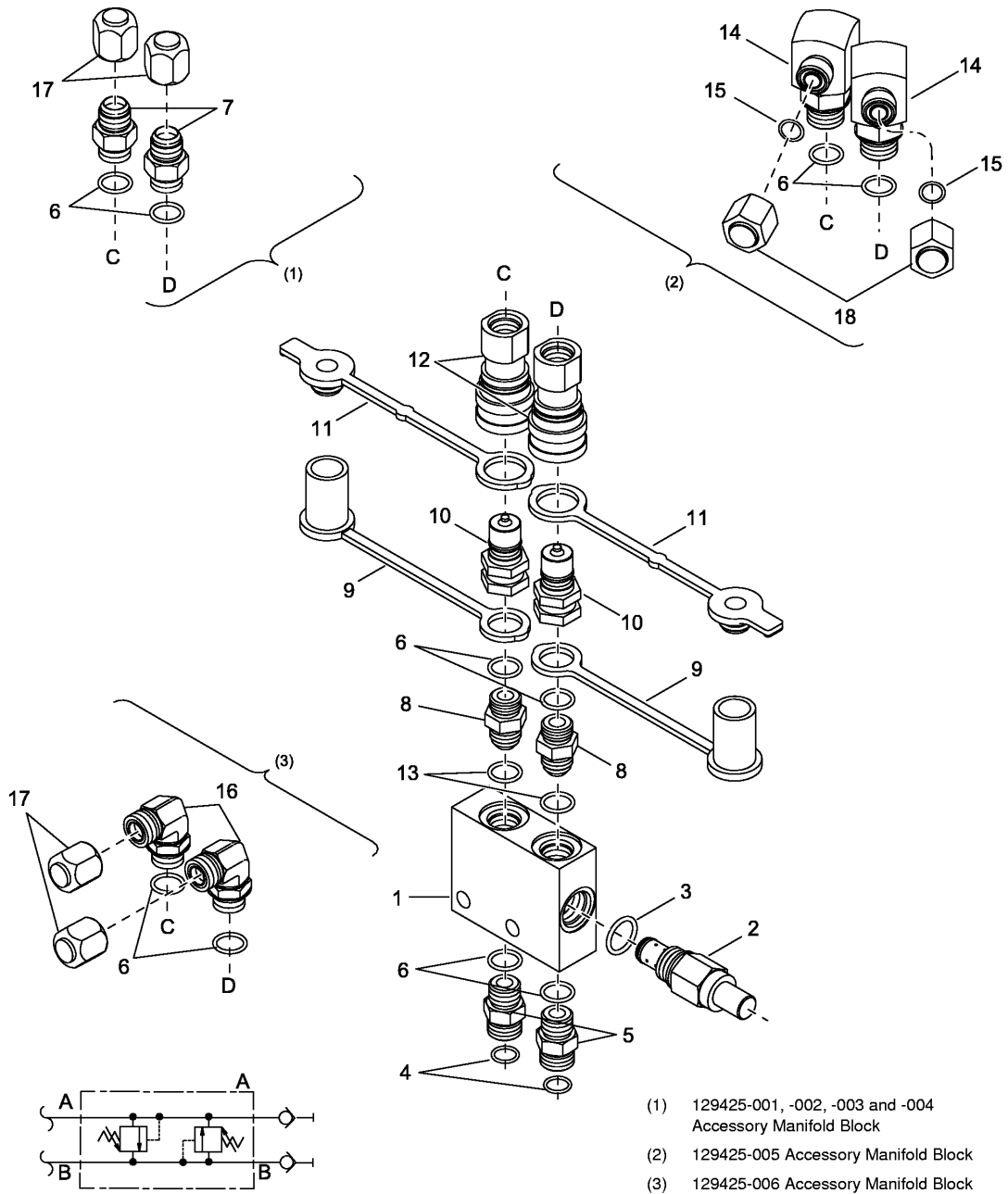


Figure 16521

INDEX	PART NUMBER	PART NAME	NUMBER REQ
4	129717	INSERT ASSEMBLY	1
5	077133-001	SWITCH	1
	133192-001	SWITCH	1
6	060011-022	SCREW #4	2
7	133113	TILT ASSIST MACHINED TAB	1
8	062605-001	LENS	1
9	062606	RETAINER LENS	1
10	062609-002	LED HIGH INTENSITY GREEN	1
	061001-020	ADHESIVE	1
	062791-002	ASM RESISTOR INLINE	1
	065003-003	SLEEVING BULK	4
	133190	ASM DIODE INLINE	1
	133559	SC TILT ASSIST HARNESS UPPER	1
	133868	SC TILT ASSIST HARNESS LOWER	1
	141600	LOWER TILT POSITION ASSIST HAR	1

INDEX	PART NUMBER	PART NAME	NUMBER REQ
[6]	062752-004	SWITCH V7 SEALED SPDT	1
[5] 33	062715	SWITCH SPDT 15A V7	1
[6]	062752-004	SWITCH V7 SEALED SPDT	1
[3] 34	062714	SWITCH SPDT 15A V7	1
[14]	062752-002	SWITCH V7 SEALED SPDT	1
[15] 35	124933	ACTUATOR SWITCH	1
[15] 36	124723	BRACKET SWITCH	1
[5] 37	062715	SWITCH SPDT 15A V7	1
[6]	062752-004	SWITCH V7 SEALED SPDT	1
[15] 38	060011-022	SCREW #4	2
[9]	060005-049	LOCKWASHER	2

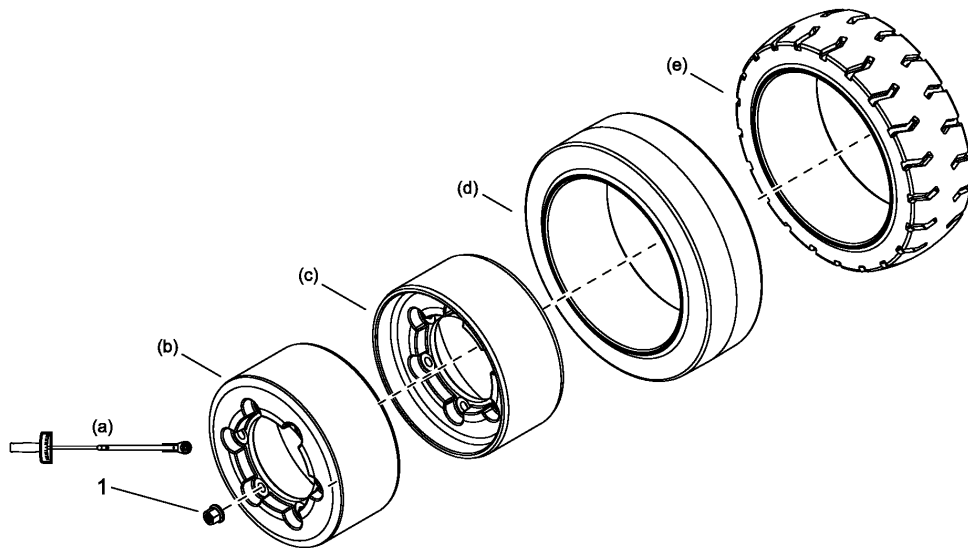
PART NOTES:

- [1] - Screw Stop
- [2] - Included With Valve
- [3] - RAS, With SCR or ContactorLift
- [4] - RAS, Freezer/Corrosion Without SCR Lift
- [5] - Index 23, TLT
Index 31, TBS
Index 32, AXS1
Index 33, AXS2
Index 37, HSS with SCR Lift, should be 062714
- [6] - Index 23, TLT Freezer/Corrosion
Index 31, TBS Freezer/Corrosion
Index 32, AXS1 Freezer/Corrosion
Index 33, AXS2 Freezer/Corrosion
Index 37, HSS Freezer/Corrosion with SCR Lift
- [7] - Index 24, Without SCR Lift, qty 5
Index 24, With SCR Lift, qty 7
- [8] - Index 25, Without SCR Lift, qty 10
Index 25, With SCR Lift, qty 12
- [9] - Index 25, Without SCR Lift, qty 10
Index 25, With SCR Lift, qty 12
Index 38, With SCR Lift
- [10] - Index 26, Without SCR Lift, qty 5
Index 26, With SCR Lift, qty 7
- [11] - Index 26, Freezer/Corrosion Without SCR Lift, qty 5
Index 26, Freezer/Corrosion With SCR Lift, qty 7
- [12] - Index 29, Without SCR Lift, qty 5
Index 29, With SCR Lift, qty 7
- [13] - Index 30, RASB with SCR Lift
- [14] - Index 30, RASB Freezer/Corrosion with SCR Lift
Index 34, RAS Freezer/Corrosion with SCR Lift
- [15] - With SCR Lift *See Note

INDEX	PART NUMBER	PART NAME	NUMBER REQ	
	130591	DRIVE UNIT CORE KIT		
1	121908	HOUSING DRIVE RH MACH	1	
[1]	2	064329-001	PLUG MAGNETIC RD HEAD HEX SOCKET W/O-RIN	1
[1]	3	064091-006	PLUG INT HEX W/O-RING	1
[1]	4	064091-001	PLUG INT HEX W/O-RING	1
	5	060015-051	SCREW 1/4"	4
	6	126497-001	CUP ADJUSTING	1
	7	126497-001	CUP ADJUSTING	1
	8	064019-103	O-RING	1
	9	065023	BEARING CUP	4
	10	065024	BEARING CONE	4
	11	125530	DIFFERENTIAL ASM	1
	12	060017-100	SCREW.375	12
	13	129980	GEAR 3RD REDUCTION	1
	14	060019-075	SCREW 0.500	1
	15	126752	SHAFT GEAR MACHINING	1
	16	061011-006	PIN DOWEL	2
	17	121907	HOUSING DRIVE LH MACH	1
		061004-016	ADHESIVE THREAD LOCKING	1
		061004-015	ADHESIVE THREAD LOCKING	1
18		064194-00	Breather Vent	1
		061004-016	ADHESIVE THREAD LOCKING	1
		061004-005	ADHESIVE THREAD LOCKING	1
19		078885-006	BOLT	15
20		060017-047	SCREW 3/8"	2
		061004-002	ADHESIVE THREAD LOCKING	1
[2]		061004-012	ADHESIVE THREAD LOCKING	1
21		060018-009	SCREW 0.438	2
		061004-002	ADHESIVE THREAD LOCKING	1
[2]		061004-012	ADHESIVE THREAD LOCKING	1
22		064019-065	O-RING	1
23		121912	WASHER THRUST	2
24		065159	BEARING NEEDLE	2
25		121909	PIN	1
26		121910	GEAR ASM	1
27		121915	PINION 1ST REDUCTION	1
28		060009-067	RING RETAINING	1
29		126498	NUT LOCKING	1
30		060000-076	PIN ROLL	1

PART NOTES:

- [1] - with O-Ring
 [2] - Blue



- (a) See Drive Unit Maintenance for Torque Values & Drive Tire Torque Sequence
- (b) Standard Tread Hub
- (c) Wide Tread Hub
- (d) Smooth Tread Tire
- (e) Lugged Tread Tire

Figure 17198

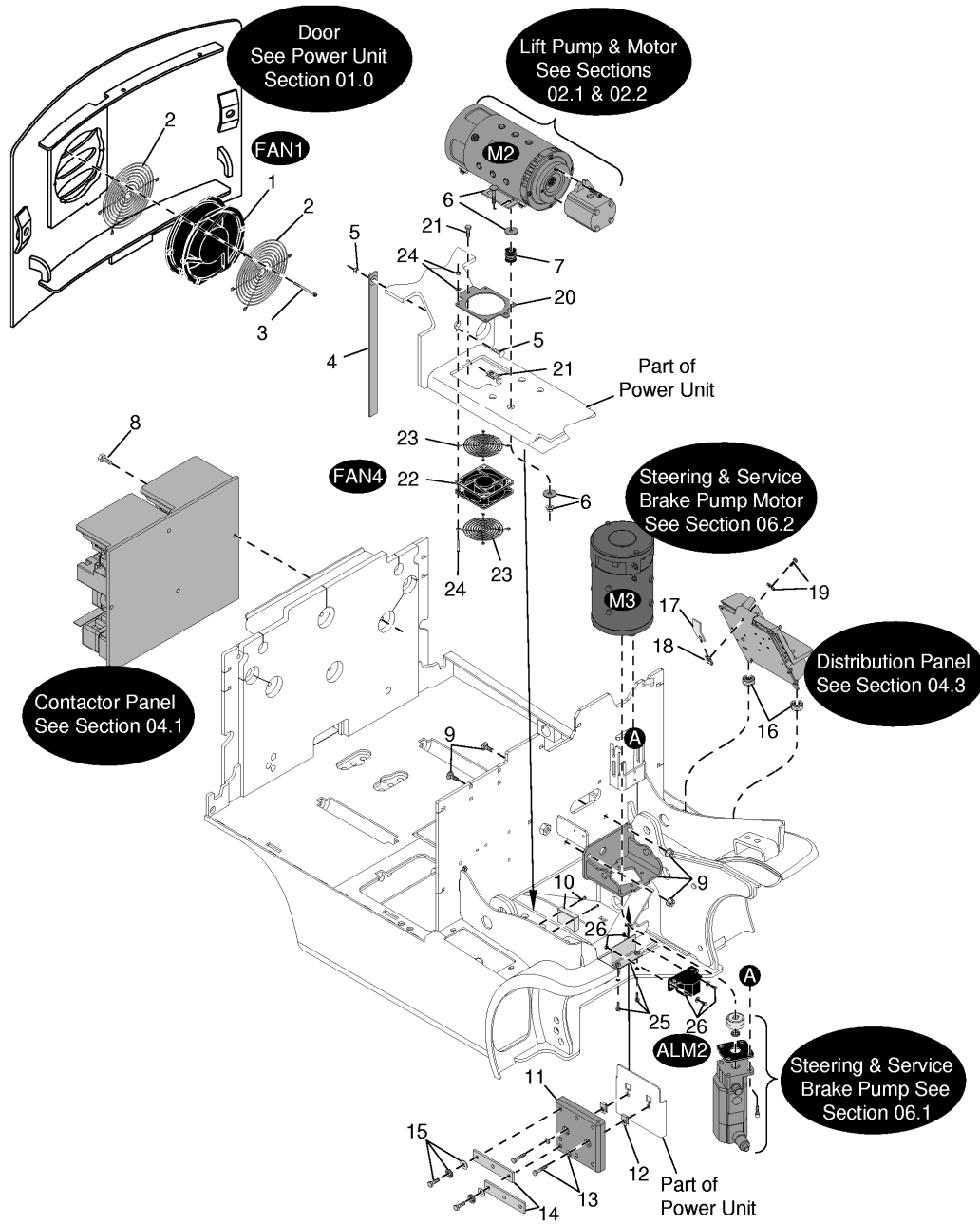
CLICK HERE TO **DOWNLOAD** THE COMPLETE MANUAL

- Thank you very much for reading the preview of the manual.
- You can download the complete manual from: www.heydownloads.com by clicking the link below



- Please note: If there is no response to CLICKING the link, please download this PDF first and then click on it.

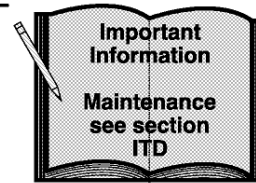
CLICK HERE TO **DOWNLOAD** THE COMPLETE MANUAL



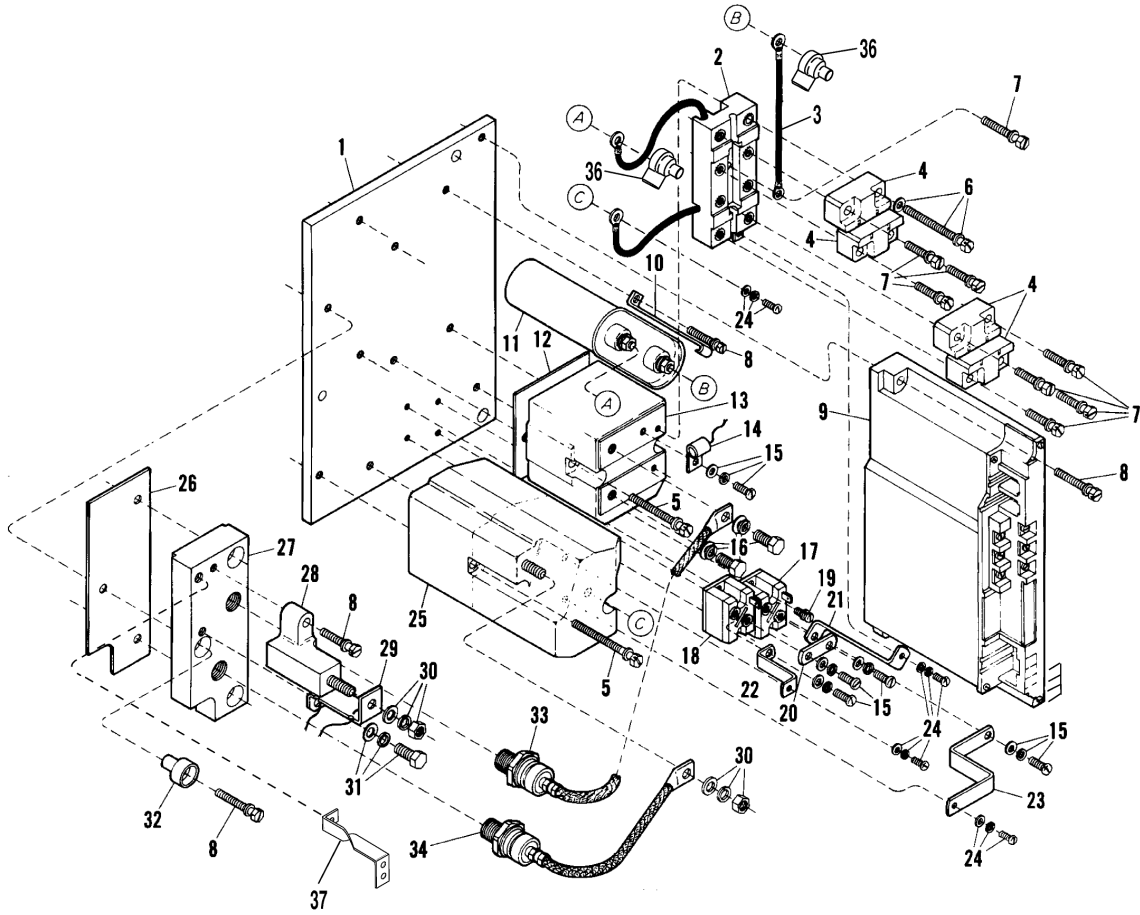
Metric hardware is used in making electrical connections between contactors, fuses and bus bars. When selecting length of screw, make certain screw does not cause an electrical short.

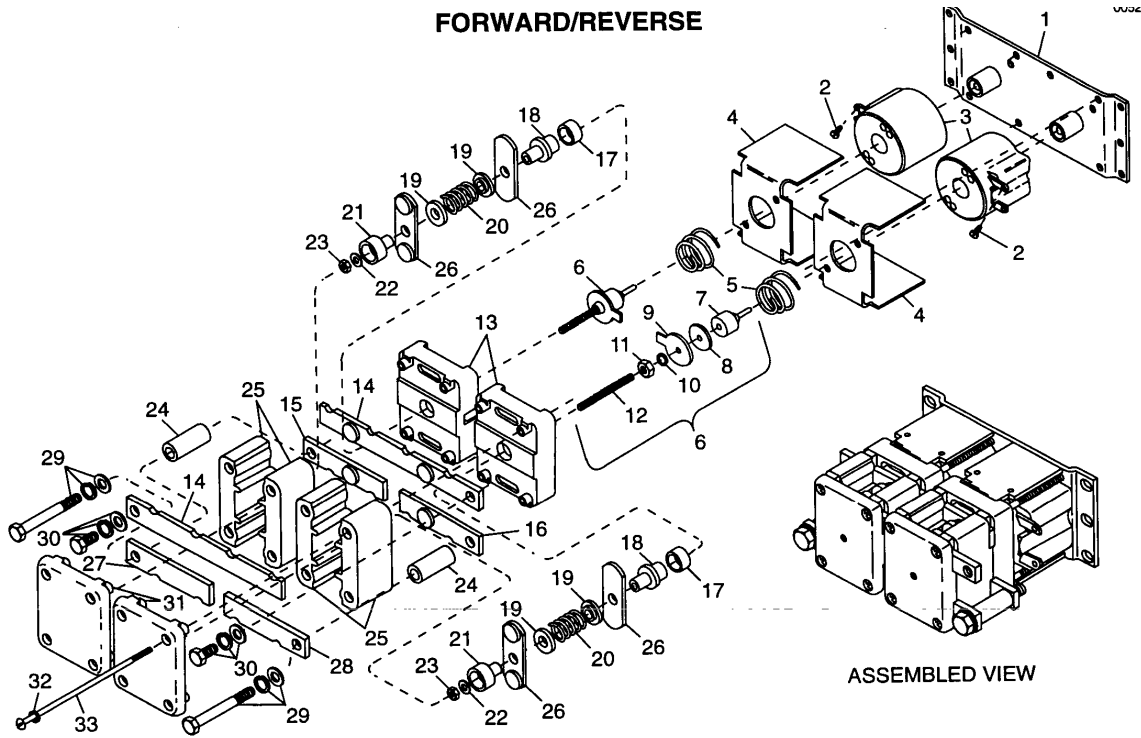
*

To select part number, refer to truck data number. The data number consists of letters and numbers that represent truck features. Refer to section ITD.

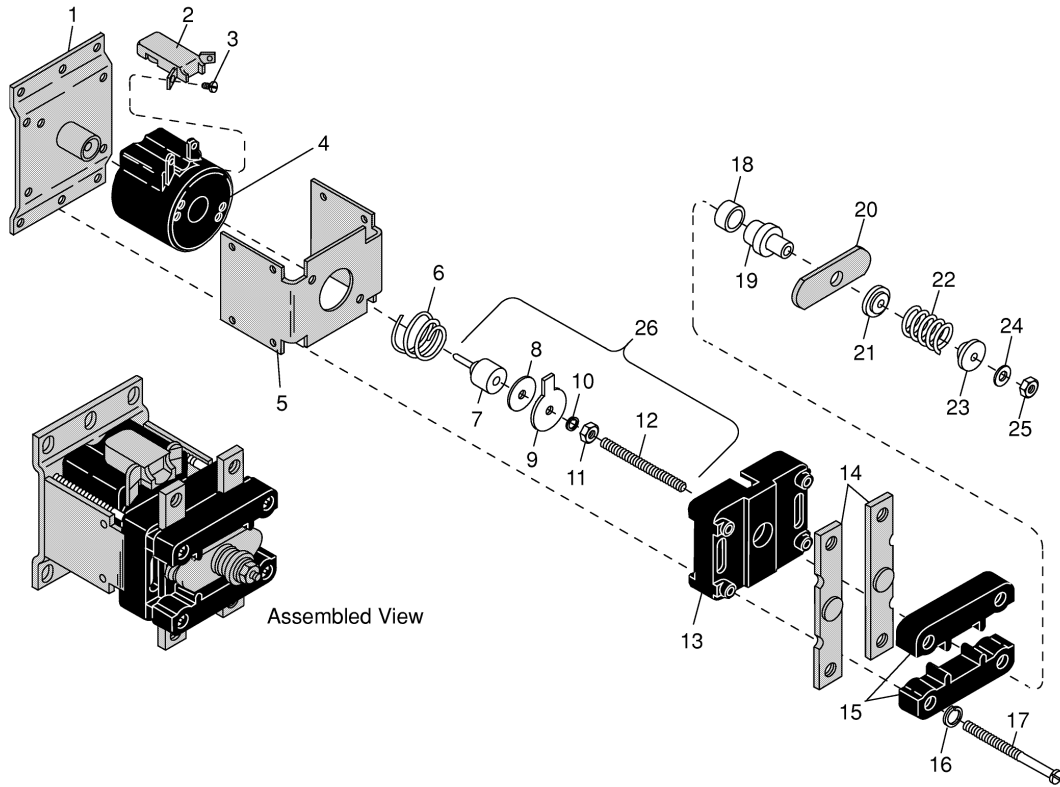


TRACTION





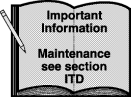
104483 F/R CONTACTOR ASSEMBLY

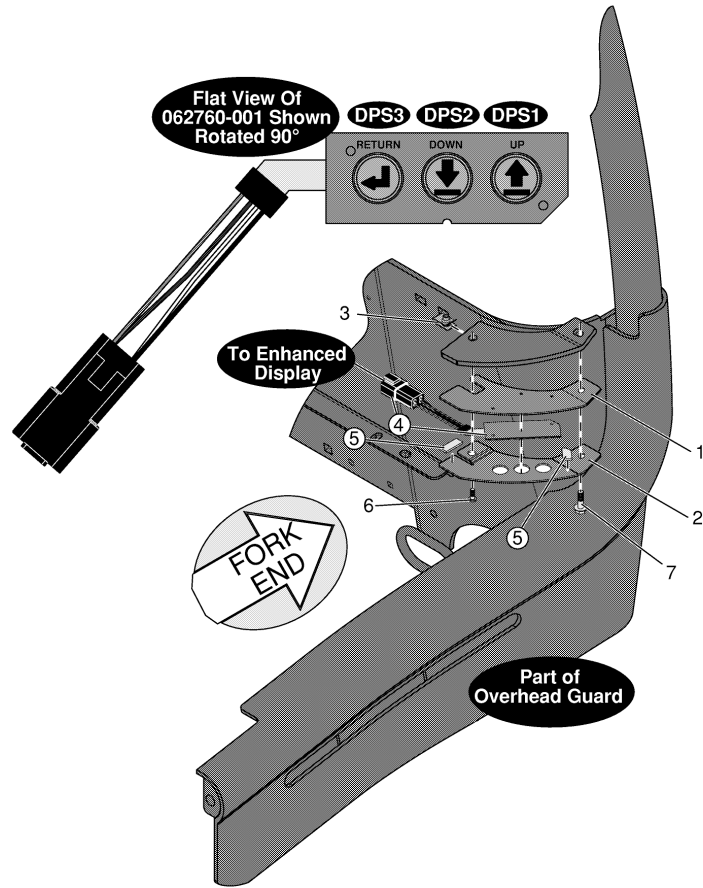


Assembled View

Model	Function
SC4000	L (Line) 112218
FC4000	1A, RB & P 125707

* To select part number, refer to truck data number. The data number consists of letters and numbers that represent truck features. Refer to section ITD.





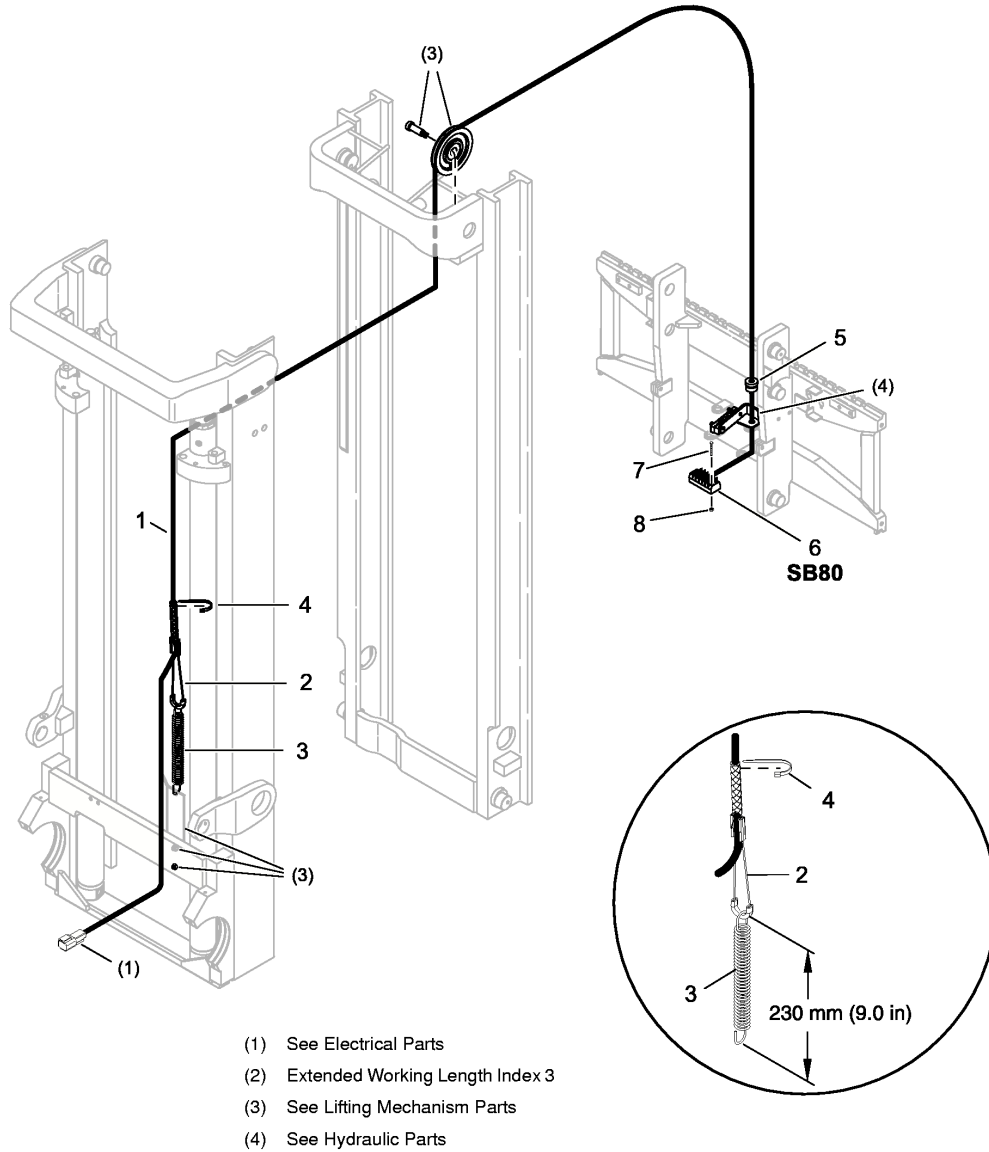


Figure 17022

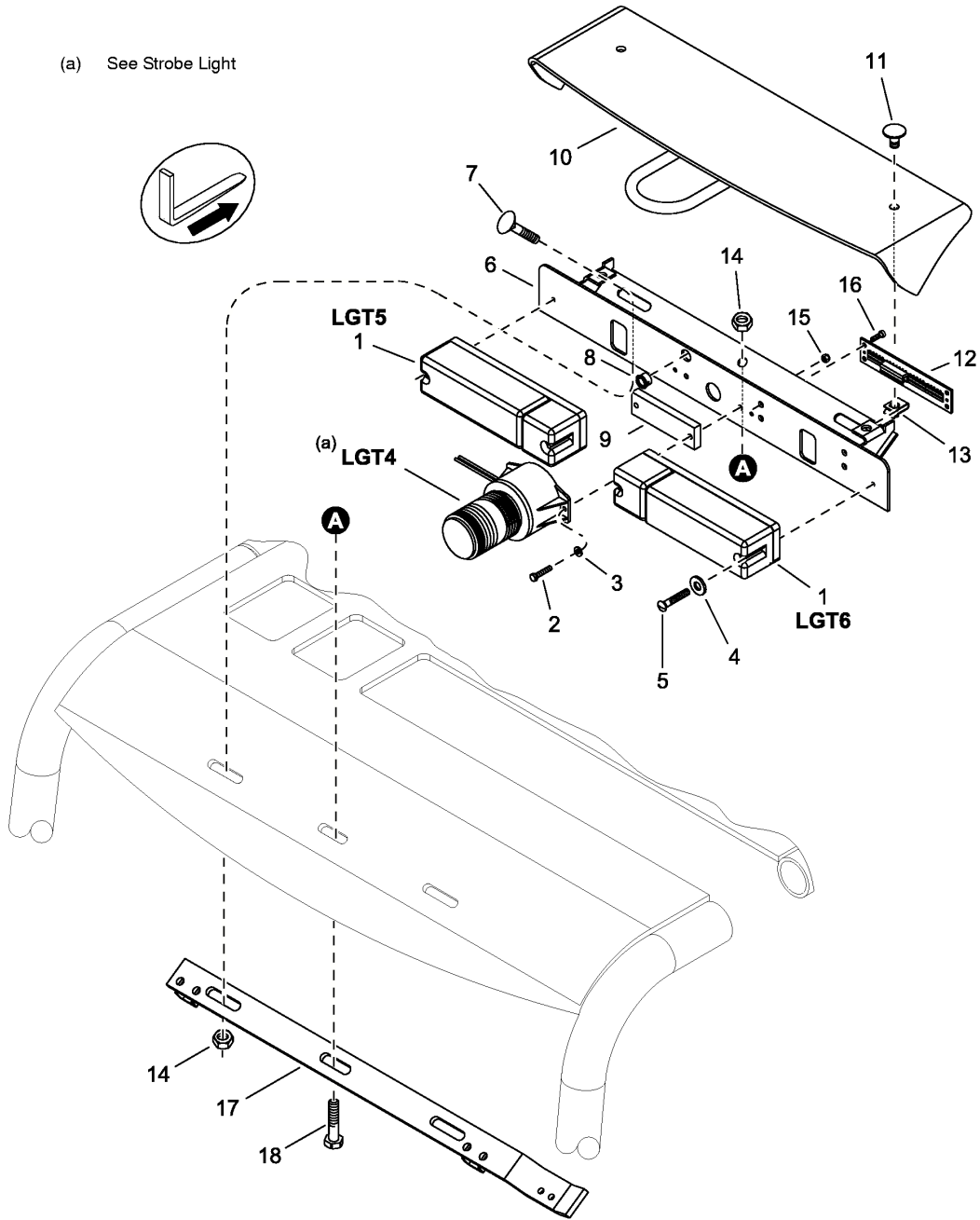


Figure 17212-02

ELECTRICAL PARTS

Drive Thru Overhead Guard Accessories - Rear

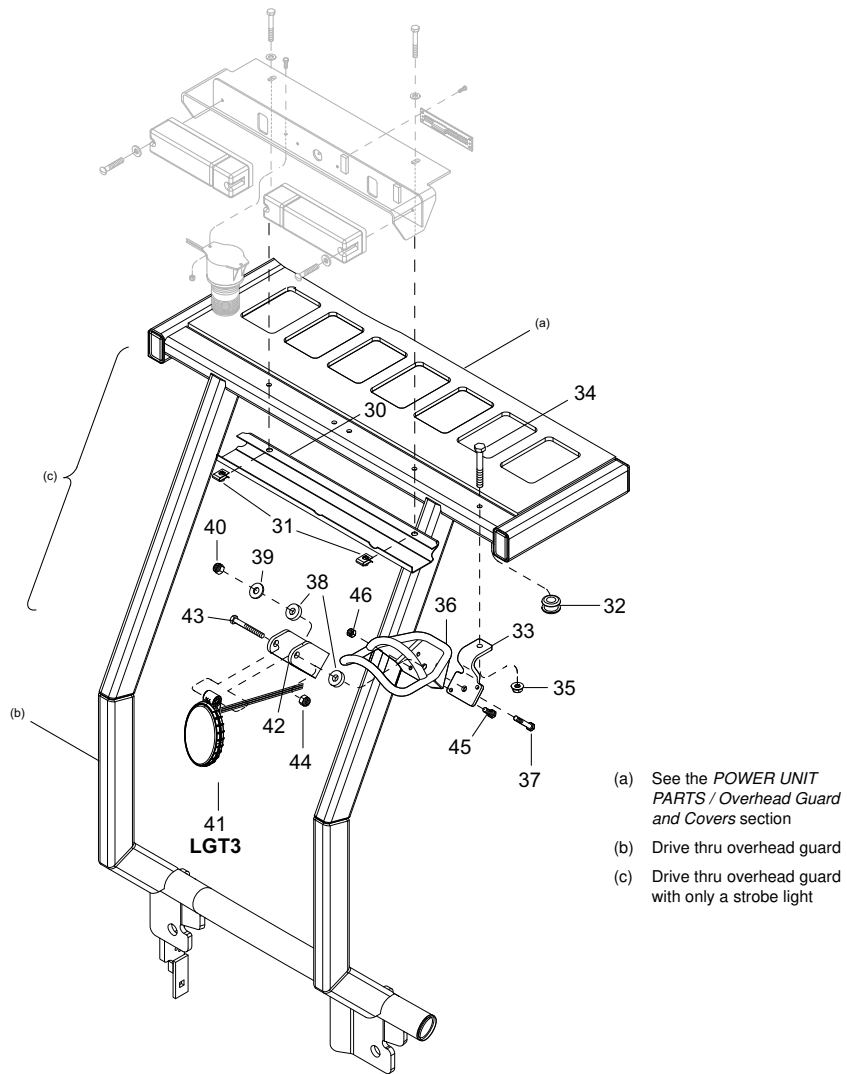


Figure 17239-01

04.9-2040-152
05 Rev. 10/14
658

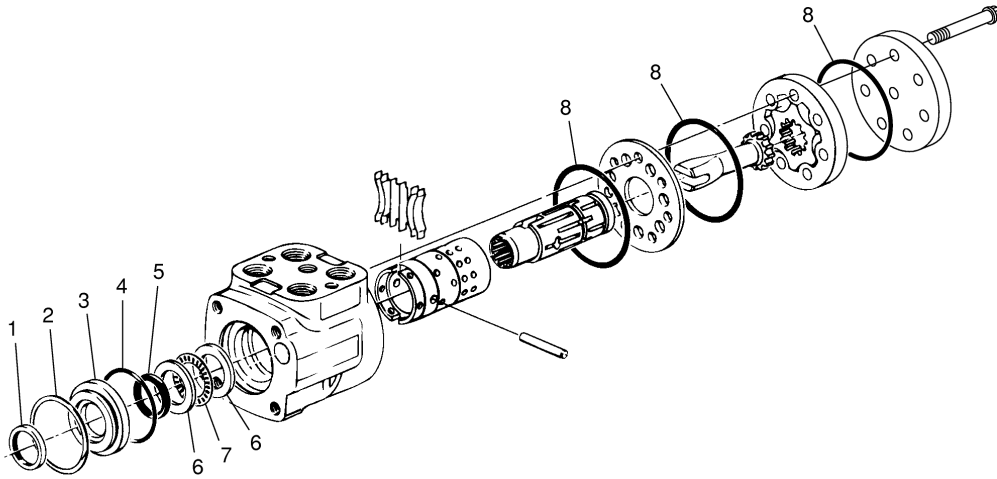
Crown 2002 PF13327-3 Rev. 10/14

	INDEX	PART NUMBER	PART NAME	NUMBER REQ
[1]	0	143709	BRAKE ASM RH	1
[1]		143710	BRAKE ASM LH	1
[2]	1	146034	OUTER STATOR HDWE KIT	1
	2	126323	OUTER STATOR	1
	3	130014	ROTOR - LINING	1
	4	126324	STATOR	1
	5	126326	PISTON - FC DISK BRAKE	4
[3]	6		LH Torque Plate	1
[3]		RH Torque Plate	1	
[4]		061004-030	THREAD LOCKING ADHESIVE	AR
	7	126325	BLEEDER PLUG - FC DISK BRAKE	2
[5]	8	146990	SEAL KIT	1
[6]	1000	130012	KIT ROTOR/LINING	1
		126431	TOOL PISTON REMOVAL	1

PART NOTES:

- [1] - Includes index 1-8
- [2] - Includes screws, washers and nuts
Supplies parts for one brake
- [3] - When the brake is assembled to the truck, use the hydraulic port closest to the operator compartment and align with the axle mount through hole.
If this component needs replaced, order a brake assembly
- [4] - 50 ml Tube - used to seal axles
- [5] - Supplies parts for one brake
- [6] - Includes index 3 and oil seal
Supplies parts for both brakes

INDEX	PART NUMBER	PART NAME	NUMBER REQ
40	119531	KNOB	1
41	114279-001	BEARING SLEEVE	1
42	060009-146	RING RETAINING	1
43	060000-002	PIN ROLL	1
44	060009-133	RING RETAINING	1
45	123680	SHAFT	1
46	060016-088	SCREW 5/16"	1
47	124726	STEERING WHEEL RE-OP	1
48	060061-006	SCREW M5	2
49	129776	BRACKET WELDMENT	1
50	062695	THERMOSTAT	1
	062783-002	THERMOSTAT ASM O160F C140F	1
51	050004-025	SCREW	2
52	050004-021	SCREW	1
53	127484	BRACKET THERMOSTAT MTG	1
54	050008-004	NUT M3	2
55	129256	PULLER WELDMENT	1
56	050007-022	SCREW M8 X 70 HEX	2



Note: When other components require replacement, Crown recommends complete steer unit replacement.

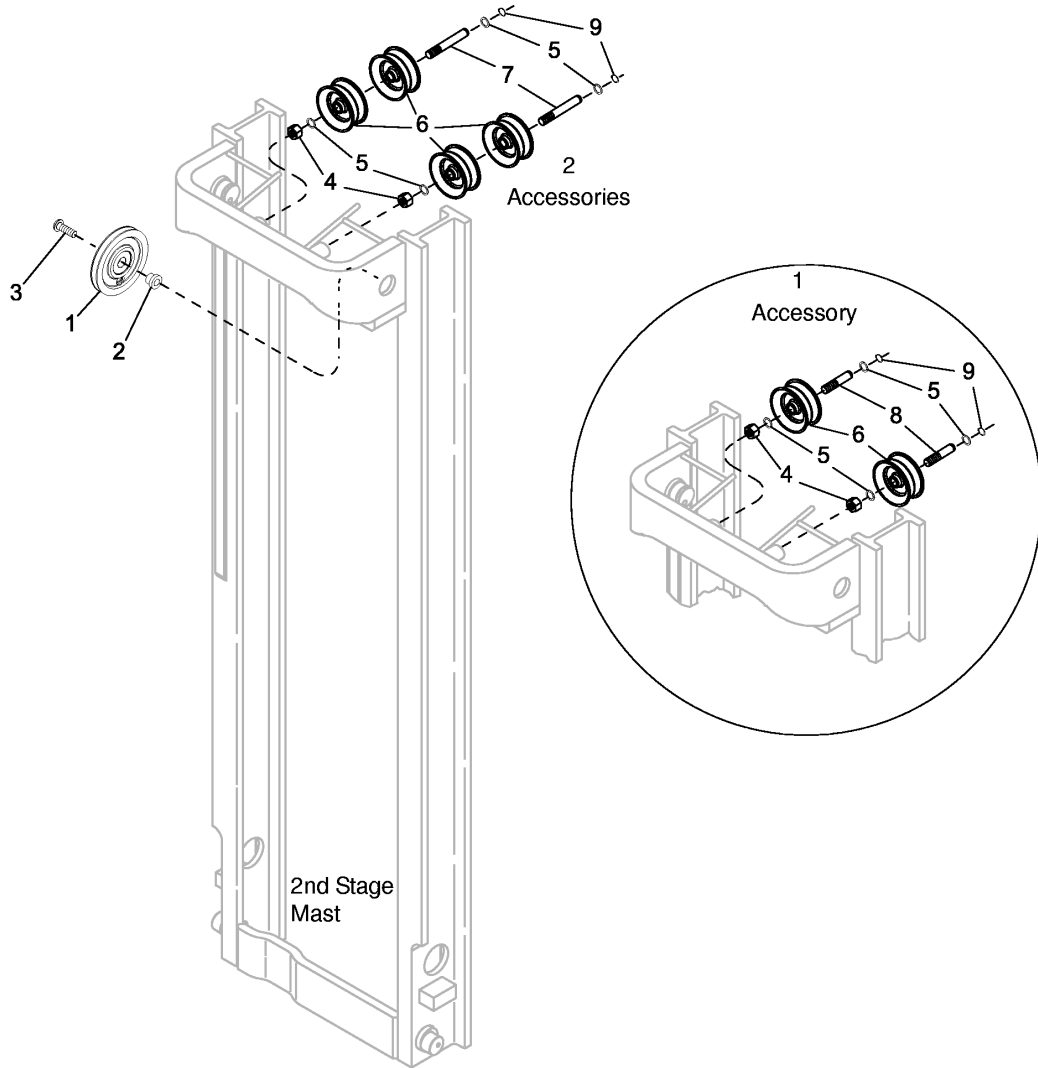


Figure 17213

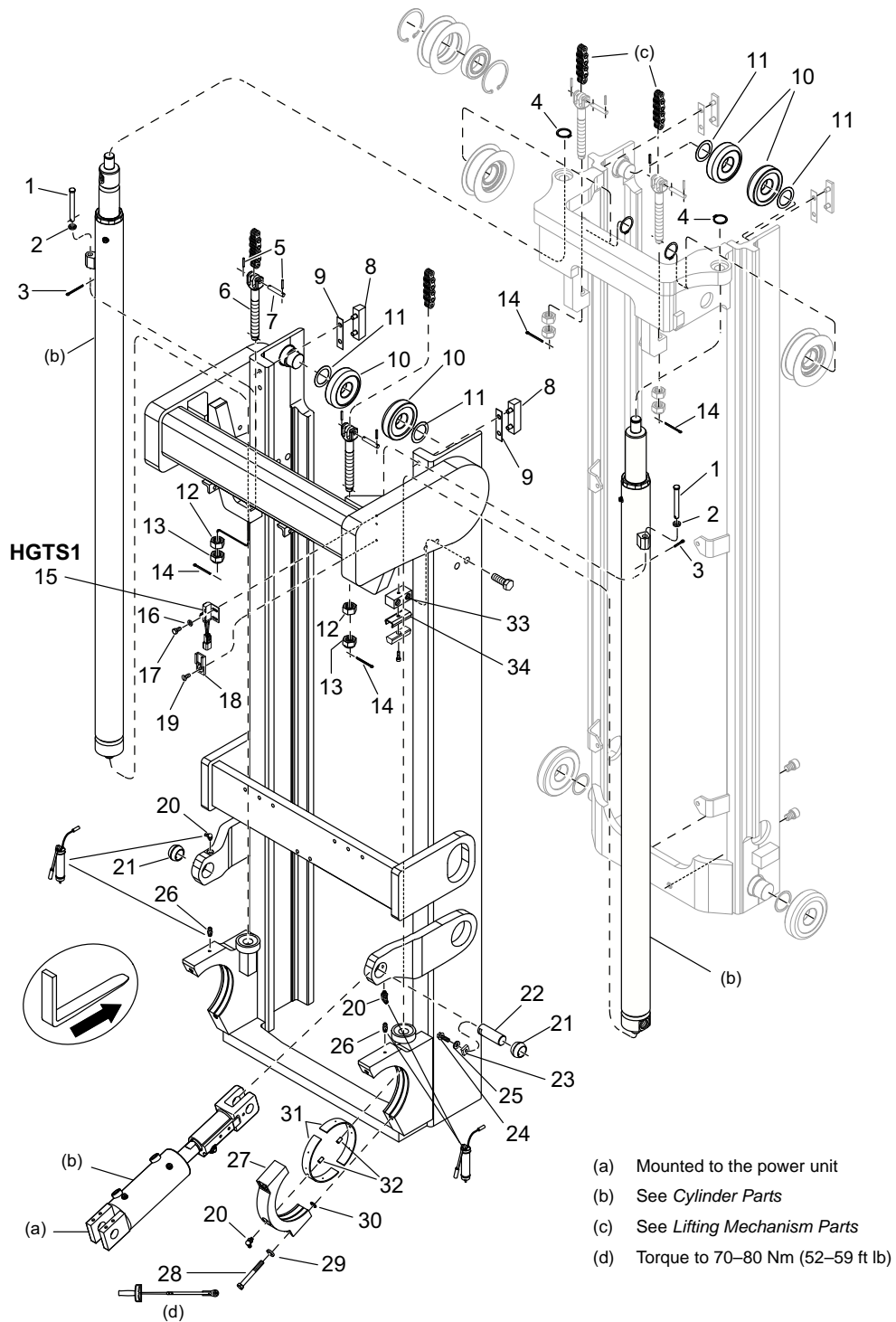


Figure 17218-03

(1) Fork Carriage Width Chart			
Item	Part Number	Part Name	Number Required
1	128832-038	Fork Carriage TT 965 mm (38 in) wide	1
	128832-044	Fork Carriage TT 1120 mm (44 in) wide	1
	129344-038	Fork Carriage TL 965 mm (38 in) wide	1
	129344-044	Fork Carriage TL 1120 mm (44 in) wide	1
2	128841-038	Fork Carriage TT 965 mm (38 in) wide	1
	128841-044	Fork Carriage TT 1120 mm (44 in) wide	1
	129345-038	Fork Carriage TL 965 mm (38 in) wide	1
	129345-044	Fork Carriage TL 1120 mm (44 in) wide	1

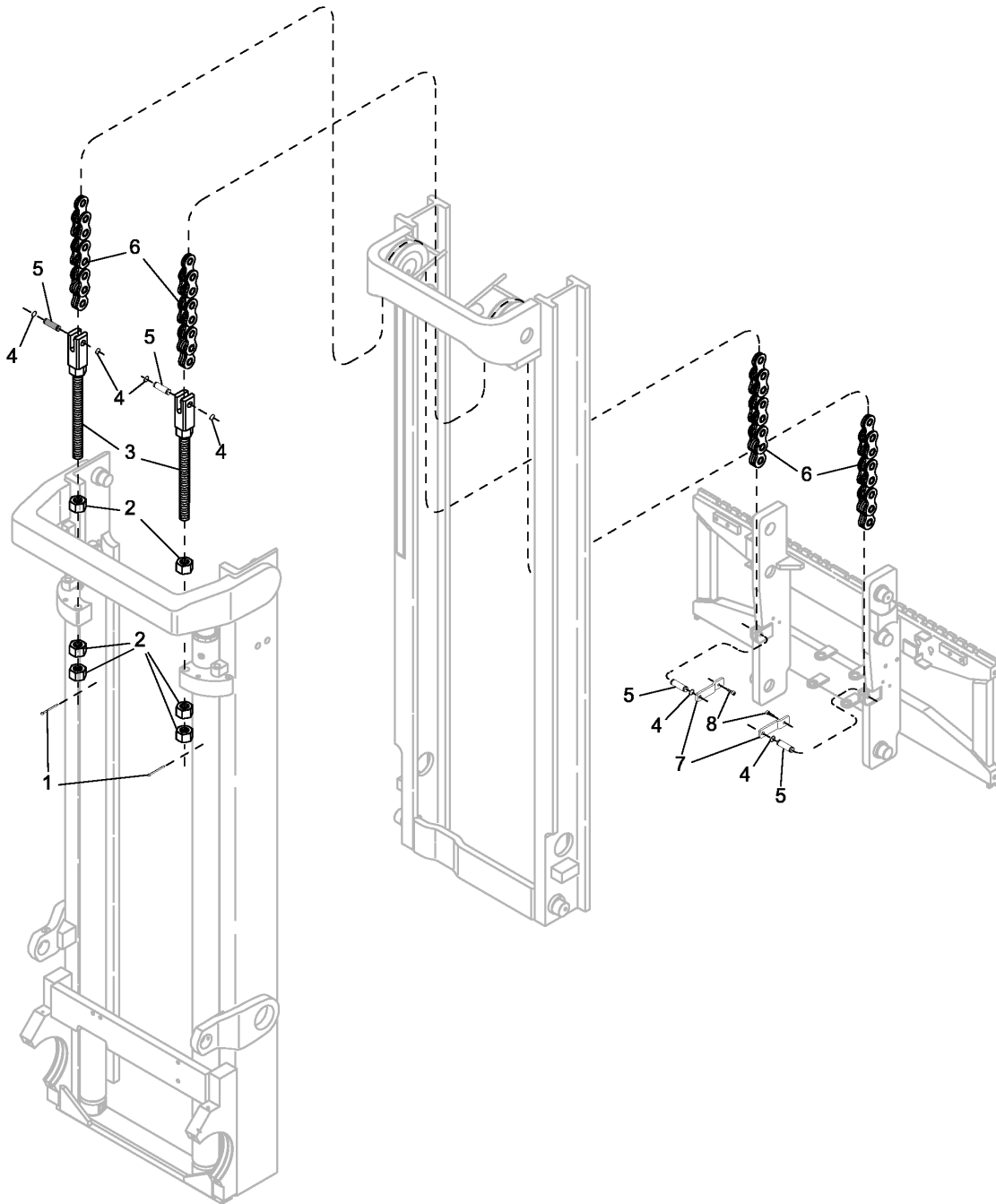
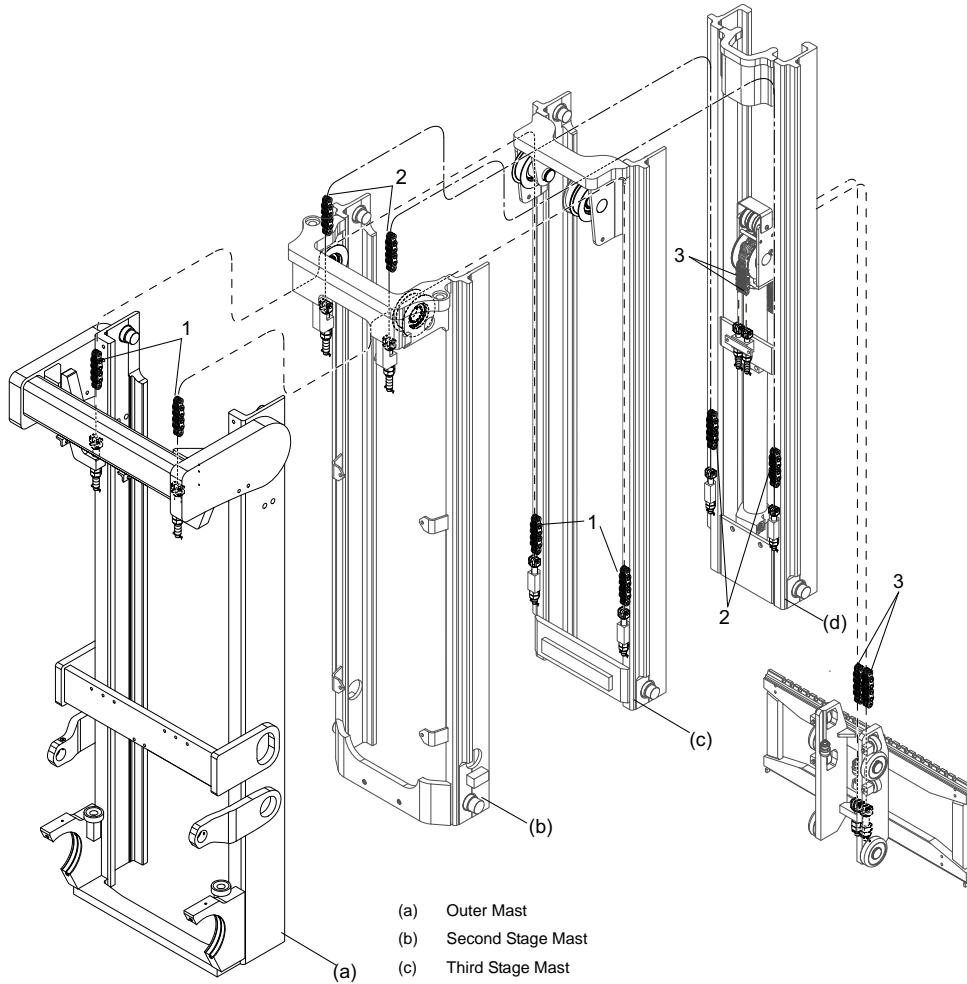


Figure 17247

LIFTING MECHANISM PARTS
Quad Mast Lift Chain



- (a) Outer Mast
- (b) Second Stage Mast
- (c) Third Stage Mast
- (d) Inner Mast

Note: Refer to *LIFTING MECHANISM PARTS* for chain anchors and pins.

Figure 17262-01

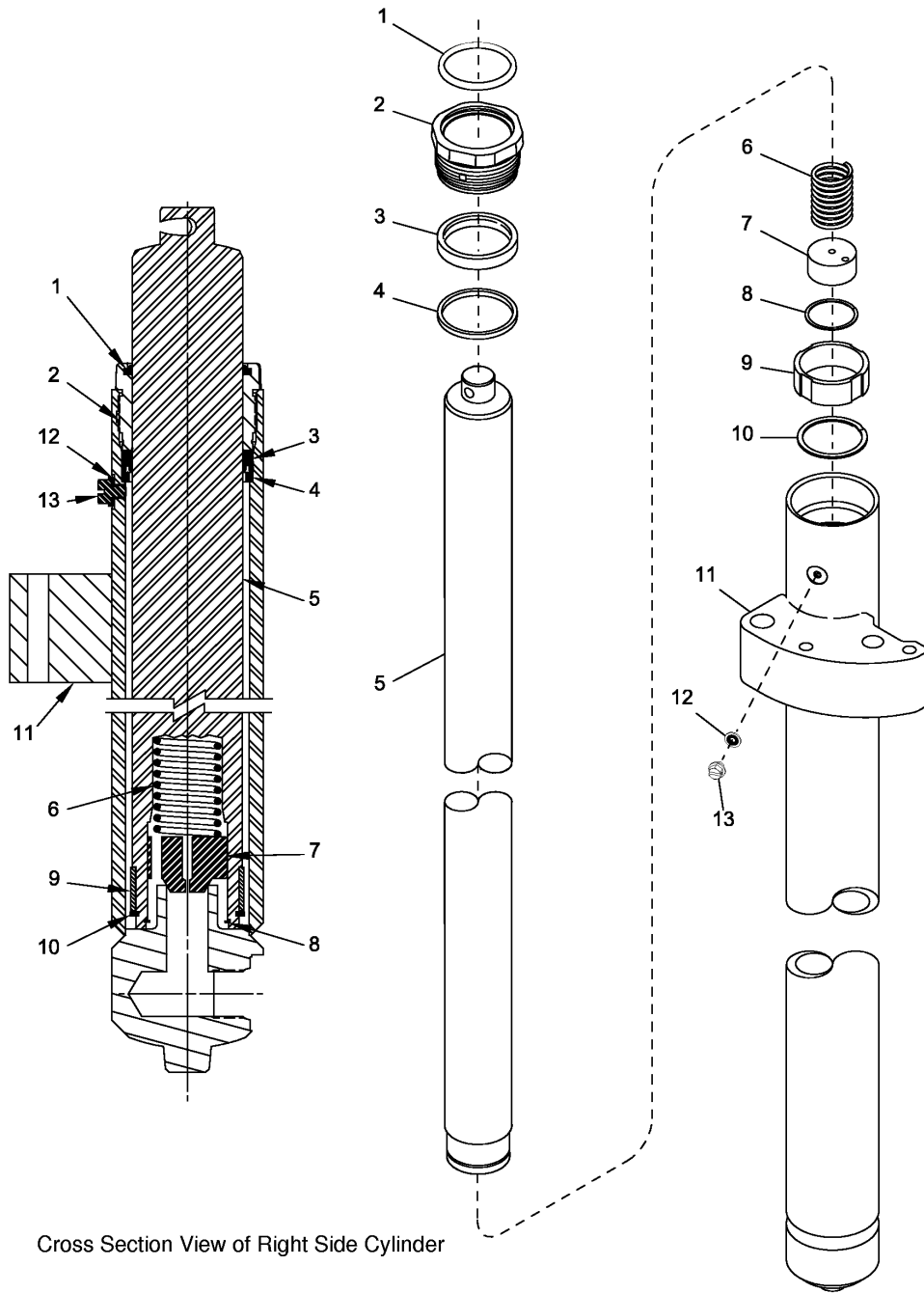
07.64-2040-001
02 Rev. 1/14
736

Crown 2004 PF13871-1 Rev. 1/14

*** Index 3 Load Backrest for 129710-001 thru -005 Cascade Fork Positioner
(Not Shown)**

FC4010-40, FC4010-50, FC4020-40, FC4020-50, FC4020-55, FC4040-50 and
FC4040-55

Part Number	Backrest Height		Fork Positioner Width	
	mm	(in)	mm	(in)
129711-001	915	(36)	940	(37)
129711-002	1220	(48)	940	(37)
129711-003	1525	(60)	940	(37)
129711-004	915	(36)	1040	(41)
129711-005	1220	(48)	1040	(41)
129711-006	1525	(60)	1040	(41)
129711-007	915	(36)	1245	(49)
129711-008	1220	(48)	1245	(49)
129711-009	1525	(60)	1245	(49)
FC4020-60 and FC4040-60				
129711-010	915	(36)	1040	(41)
129711-011	1220	(48)	1040	(41)
129711-012	1525	(60)	1040	(41)
129711-013	915	(36)	1245	(49)
129711-014	1220	(48)	1245	(49)
129711-015	1525	(60)	1245	(49)



Cross Section View of Right Side Cylinder

Figure 17266

Chart 1 Lift Cylinder Carriage Lift Height				
Lift Height		*Cylinder Assembly	*Ram Item 5	*Cylinder Tube Item 10
mm	(in)			
4570	(180)	128114S003	129258-003	128115-003
4775	(188)			
5030	(198)	128114S004	129258-004	128115-004
5230	(206)			
5285	(208)	128114S005	129258-005	128115-005
5485	(216)			
5665	(223)	128114S006	129258-006	128115-006
5865	(231)			
6045	(238)	128114S007	129258-007	128115-007
6250	(246)			
6350	(250)	128114S008	129258-008	128115-008
6555	(258)			
6805	(268)	128114S009	129258-009	128115-009
7010	(276)			
7190	(283)	128114S010	129258-010	128115-010
7390	(291)			

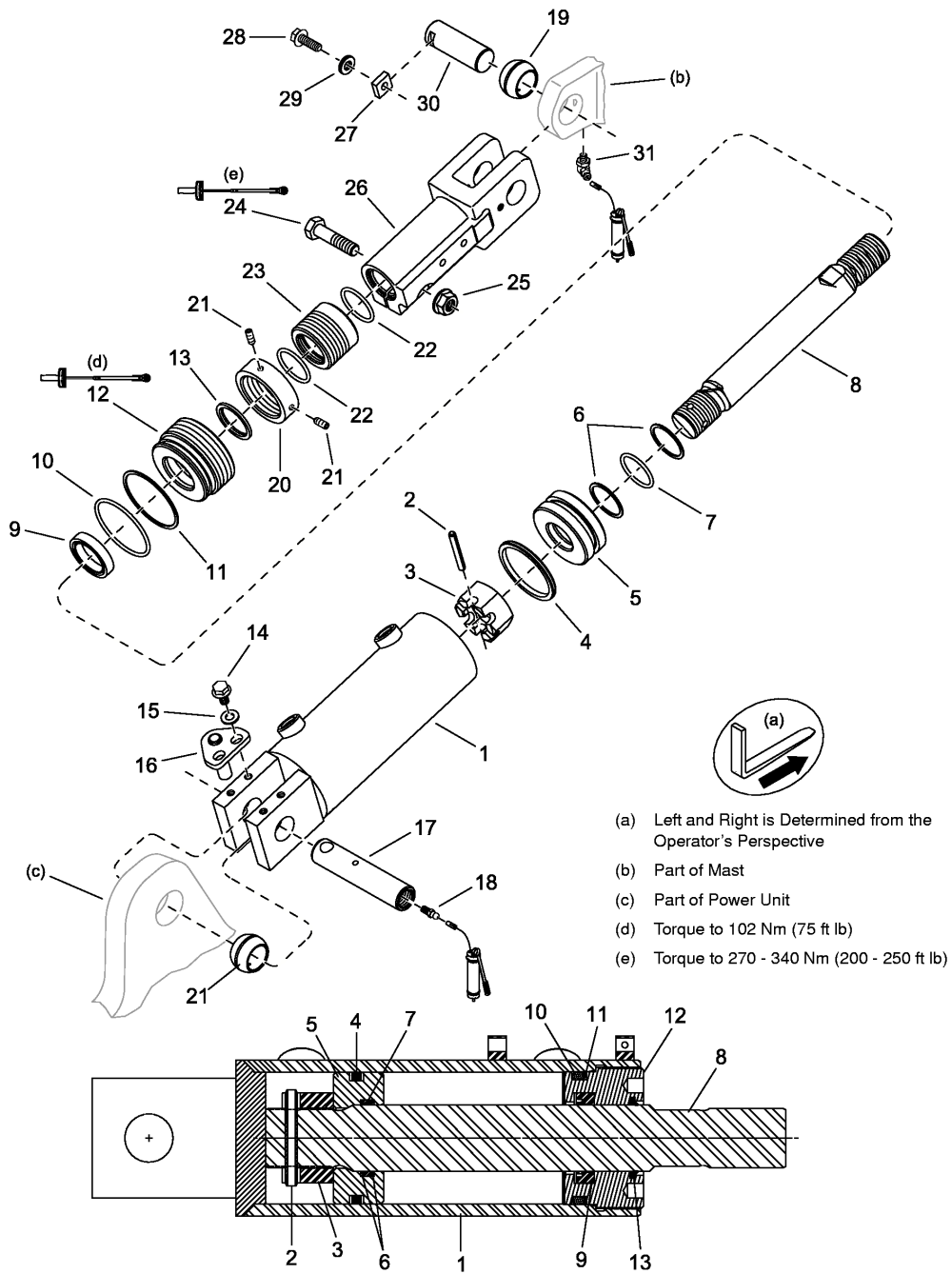
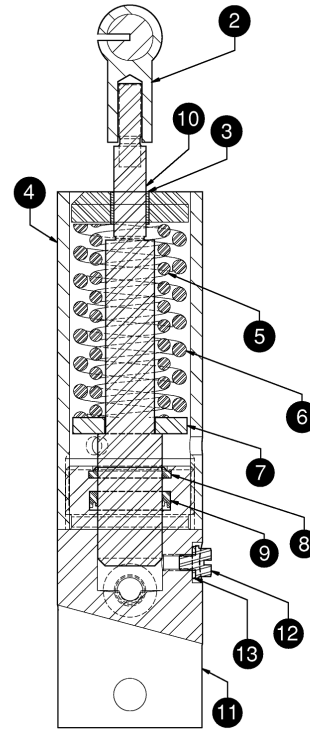
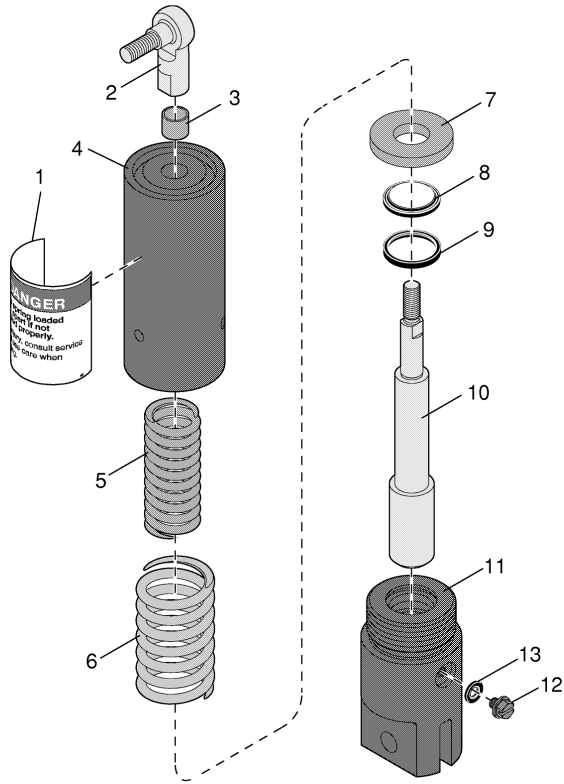


Figure 17310-02



Cross Section Of Assembled Cylinder

CLICK HERE TO **DOWNLOAD** THE COMPLETE MANUAL

- Thank you very much for reading the preview of the manual.
- You can download the complete manual from: www.heydownloads.com by clicking the link below



- Please note: If there is no response to CLICKING the link, please download this PDF first and then click on it.

CLICK HERE TO **DOWNLOAD** THE COMPLETE MANUAL