



CONTENTS



<u>ASSEMBLY</u>	<u>SECTION</u>
Mainframe	1
Rear Arm	2
Radiator - Diesel	3
Radiator - LPG	3.1
Bonnet	4
Hydraulic Tank	5
Diesel Tank	6
Gas Carrier	6.1
Cabin Assembly - Interior	7
Cabin Assembly - Exterior I	7.1
Cabin Assembly - Exterior II	7.2
Accelerator & Inching Pedals	7.3
Diesel Exhaust	8
LPG Exhaust - Tier I	8.1
LPG Exhaust - Tier II	8.2
Air Filter	9
6 Port Changeover & 4 Port Diverter Valves	10
Brake Valve on Hydraulic Tank	10.1
Cetop 7 Yukon Valve & Bleed Block	11
Steering Motor	12
Wheel Motors	13
Engine/Hydrostatic Pump - Diesel	14
Engine/Hydrostatic Pump - LPG	14.1
Dash Face Layout	15
Dash Internal - Relay Layout	15.1
Fuse Box	16
Wheels	17
Forks	18
Mast Carriage	19
 <u>Hydraulic Sections</u>	
Valve Chest Feed & Return Lines	20
Gear Pump Suction Line	21
Feed To Hydrostatic Pump	22
Rear Hub Hydraulics	23
Front Hub Hydraulics	24
Steering Hydraulics - Rams	25
Steering Hydraulics - Steering Motor	25.1
Pump To Inching & Brake Valves	26
Oil Cooler Hydraulics	27
Tilt Cylinder Hydraulics	28
Carriage Cylinder Hydraulics	29
Electrical Section Of Valve Chest To Hydrostatic Pump & Bleed Block	30
Valve Chest To Bulkhead Bracket - Lift & Auxiliary (Side Shift) Hoses	31
Valve Chest	32
Electric Oil Cooler	33
Mast	34

CLICK HERE TO **DOWNLOAD** THE COMPLETE MANUAL

- Thank you very much for reading the preview of the manual.
- You can download the complete manual from: www.heydownloads.com by clicking the link below



- Please note: If there is no response to CLICKING the link, please download this PDF first and then click on it.

CLICK HERE TO **DOWNLOAD** THE COMPLETE MANUAL



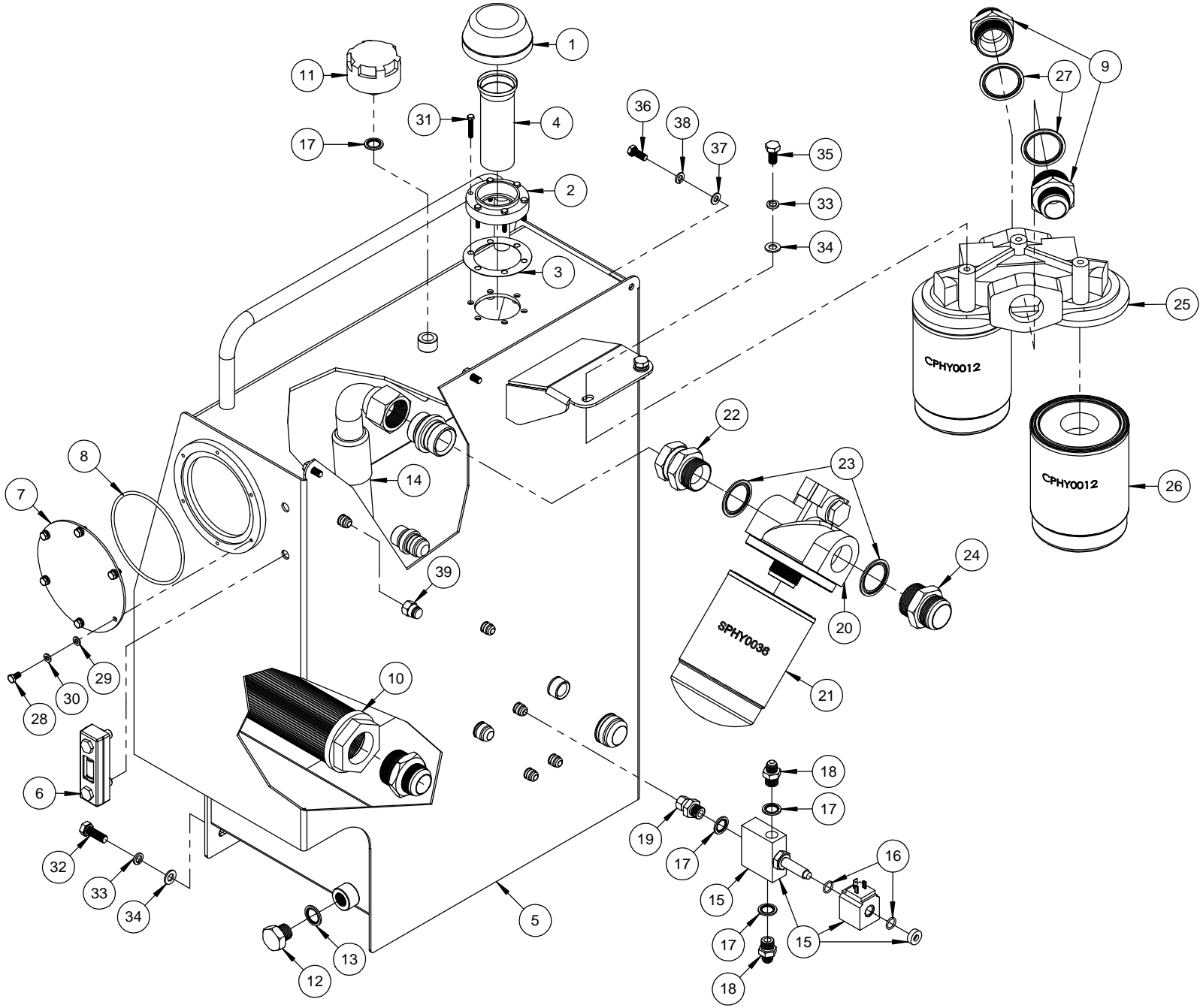
Ref No: CM14H005

Rev: 00

Rev Date: 30/04/08

Title: Hydraulic Tank Assembly

SECTION
05





Ref No: CM14H007.2

Rev: 00

Rev Date: 30/04/08

SECTION

Title: Cabin Assembly - Exterior II

07

Parts Table

ITEM	QTY.	DESCRIPTION	PART NO.	Rev.	SERIAL BREAK
1	2	Wiper Motor Assembly	CPE00022	01-A	
2	3	Wiper Seal Kit *	CPC00021	01-A	
3	2	Wiper Arm Assembly	CPC00019	01-A	
4	2	Wiper Blade Assembly	CPC00020	01-A	
5	24	M8 Lock Nut	CPB00029	01-A	
6	3	3/8" Bond Seal	SPF00041	01-A	
7	41	M8 Flat Washer	CPB00015	01-A	
8	12	M8x20 Hex Head Bolt	CPB00012	01-A	
9	27	M6 Flat Washer	CPB00060	01-A	
10	11	M6x20 Hex Head Bolt	CPB00044	01-A	
11	8	M10 Flat Washer	CPB00032	01-A	
12	15	M8 Hex Nut	CPB00049	01-A	
13	1	Isolator Switch Body	CPE00121	01-A	
14	1	Isolater Switch Key	CPE00122	01-A	
15	2	M6x20 Countersunk Bolt	CPB00264	01-A	
16	3	External Worklight	CPE00006	01-A	
17	3	M10 Lock Nut	CPB00262	01-A	
18	1	Strobe Beacon	CPE00086	01-A	
18	1	Optional Large Strobe Beacon	CPE00170	01-A	
19	1	Bracket For Optional Large Beacon	SMC00248	01-A	
20	3	M5x20 Hex Head Bolt	CPB00145	01-A	
21	3	M5 Flat Washer	CPB00128	01-A	
22	3	M5 Lock Nut	CPB00147	01-A	
23	1	Lowered Beacon & Light Bracket	CMC00238	01-A	
24	1	Temperature Control Valve	CPC00058	01-A	
25	2	M4x12 Countersunk Screw	CPB00246	01-A	
26	1	M8x45 Hex Head Bolt	CPB00041	01-A	
27	1	12V Horn	CPE00011	01-A	
28	2	Work Light Grommet	CPE00077	01-A	
29	1	Heating Unit Assembly (Includes Items 30&31)	CPC00003	01-A	
30	1	Heater Unit Radiator	CPC00078	01-A	
31	1	Cabin Heater Fan	CPC00051	02-A	
32	2	Adaptation Tube (45°)	CPC00171	01-A	
33	2	Breeze Hose Clip (70-90mm)	CPB00172	01-A	
34	1	Ø44 Air Hose	CPC00033	01-A	
35	4	Breeze Hose Clip (27-51mm)	CPC00095	01-A	
36	6	Jubilee Clip (18-25mm)	CPV00103	01-A	
37	1	1/2" BSP Swept 90° to Suit 5/8" Hose	SPF00047	01-A	
38	1	3/8" X 1/2" BSP M/M Adaptor	SPF00046	01-A	
39*	1	Ø 15mm Hose (Heating Unit to Engine Block)	CPC00163	01-A	
40*	1	Ø 15mm Hose (Control Valve to Heating Unit)	CPC00162	01-A	
41*	1	Ø 15mm Hose (Control Valve to Water Pump)	CPC00057	01-A	
42	1	1"1/16 JIC Swept 90° to Suit 5/8" Hose	SPF00048	01-A	
43	1	1" NPT x 1"1/16 JIC M/M Adaptor	SPF00035	01-A	
44	1	Access Panel	CMC00150	01-A	
45	4	M6 Spring Washer	CPB00126	01-A	
46	3	M16 Flat Washer	CPB00045	01-A	
47	3	M16x100 Hex Head Bolt	CPB00028	02-A	
48	3	Cab Mount Washer	CMC00007	01-A	
49	3	M16 Lock Nut	CPB00006	02-A	
50	1	Heater Hose Tee (LPG Machine Only)	CPC00092	01-A	

Notes:

1. Wiper Seal Kit (Item2) Is Supplied With Wiper Motor (Item 1) But Can Also Be Supplied Separately.
2. *Please Quote Machine Serial Number When Ordering Water Pipes For Heater Unit As Lengths are Governed By Breadth Of Machine.



Ref No: CM14H010

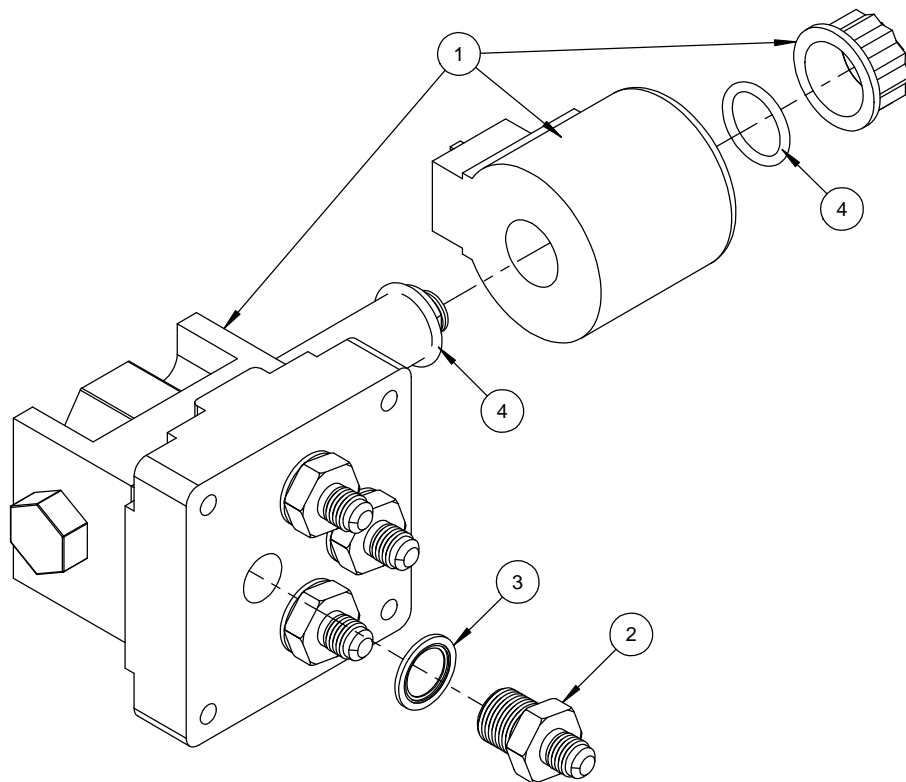
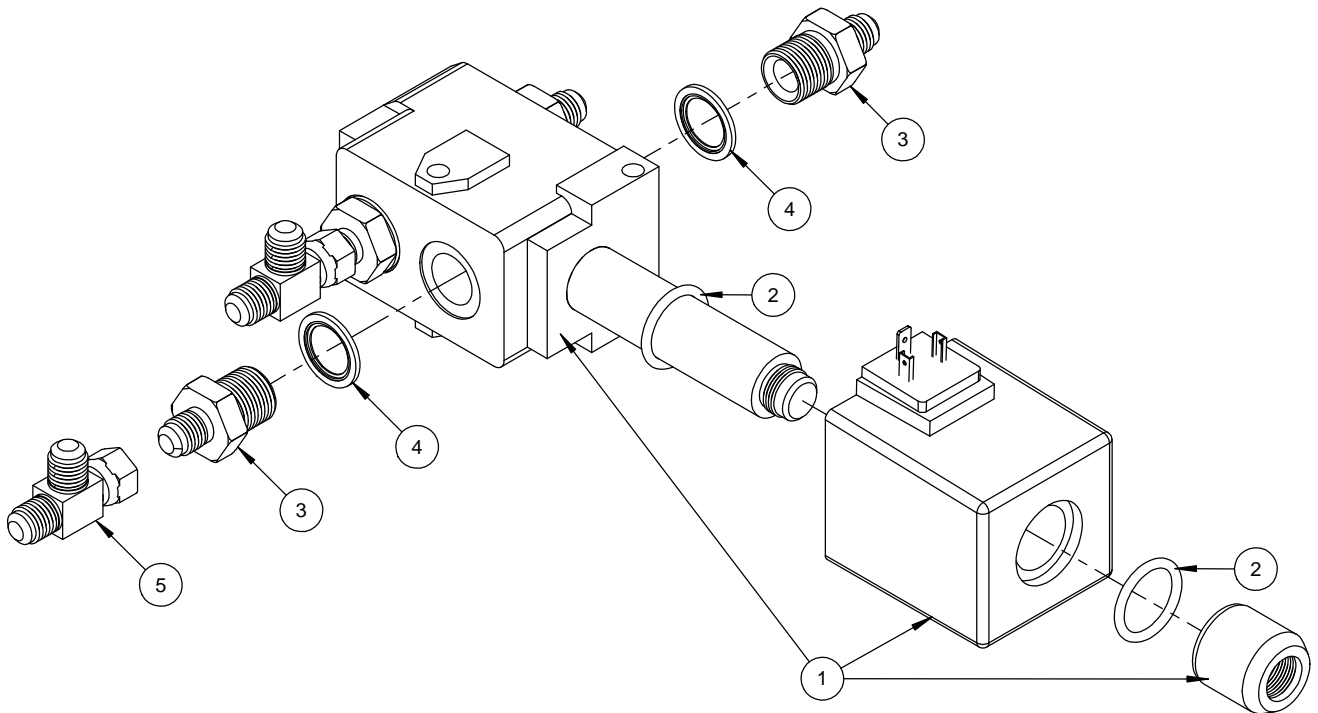
Rev: 00

Rev Date: 30/04/08

SECTION

Title: 6 Port Changeover & 4 Port Diverter Valves

10





Ref No: CM14H014

Rev: 00

Rev Date: 30/04/08

SECTION

Title: Engine/Pump Assembly - Diesel

14

Parts Table

ITEM	QTY.	DESCRIPTION	PART NO.	REV.	SERIAL BREAK
1	1	Turbo Diesel Engine	SPK00108	01-A	
2	1	Hydrostatic Pump	SPHY0007	01-A	
3	1	Gear Pump	SPHY0058	01-A	
4	2	Manifold Block	SPHY0047	01-A	
5	1	Bell Housing	SPK00109	01-A	
6	1	Coupling Plate	SPK00106	01-A	
7	1	Hub Star	SPK00107	01-A	
8	8	M12x70 Hex Head Bolt	CPB00275	01-A	
9	1	M42 Bond Seal	SPF00058	01-A	
10	2	M18 Bond Seal	SPF00032	01-A	
11	2	M18 - 9/16" JIC M/M Adaptor	SPF00018	01-A	
12	2	Drive Manifold O-ring	SPHY0011	01-A	
13	2	M26 - 1/16" JIC M/M Adaptor	SPF00017	01-A	
14	2	M26 Bond Seal	SPF00057	01-A	
15	30	M12 Flat Washer	CPB00082	01-A	
16	2	1/4" BSP Bung	SPF00023	01-A	
17	2	3/4" BSP Bung	SPF00037	01-A	
18	6	3/4" BSP - 7/8" JIC M/M Adaptor	SPF00010	01-A	
19	8	3/4" Bond Seal	CPF00057	01-A	
20	1	M42 - 1"5/8 JIC M/M Adaptor	CPF00075	01-A	
21	2	1/4" Bond Seal	CPF00054	01-A	
22	2	Rear R.H. Engine Mount	SMK00009	01-A	
23	2	Rear L.H. Engine Mount	SMK00008	01-A	
24	1	Front Engine Mount	SMK00011	01-A	
25	4	Rubber Engine Mount	CPV00005	01-A	
26	1	Gear Pump O-ring	SPSK0008	01-!	
27	1	1"1/2 Bond Seal	SPF00006	01-A	
28	1	1"1/2 BSP - 1"5/8 JIC M/M Adaptor	SPF00008	01-A	
29	4	M20x40 Hex Head Bolt	CPB00198	01-A	
30	4	M20 Flat Washer	CPB00091	01-A	
31	2	M12x30 Socket Head Bolt	CPB00153	01-A	
32	1	Kubota Fan	SPK00070	02-A	
33	8	M12x35 Hex Head Bolt (1.25 Set)	CPB00276	01-A	
34	8	M12x40 Hex Head Bolt (1.25 Set)	CPB00277	02-A	
35	12	M10x30 Hex Head Bolt (1.25 Set)	CPB00278	01-A	
36	20	M10 Flat Washer	CPB00032	01-A	
37	1	1" Bond Seal	CPF00058	01-A	
38	1	1"BSP - 7/8"JIC M/M Adaptor	SPF00056	01-A	
39	1	1"5/8 JIC - 1"5/8 JIC M/F Adaptor	SPF00049	01-A	
40	4	M12x110 Hex Head Bolt	CPB00163	01-A	
41	4	Engine Mount Washer	CMV00023	01-A	
42	4	M12 Nylon Lock Nut	CPB00123	01-A	
43	4	25mm Pipe Clamp	CPF00049	01-A	
44	2	25mm Pipe Clamp Top	CPF00051	01-A	
45	2	M8x45 Hex Head Bolt	CPB00041	01-A	
46	4	M8x14 Hex Head Bolt	CPB00236	01-A	
47	4	M8 Flat Washer	CPB00015	01-A	
48	8	M10x40 Hex Head Bolt (1.25 Set)	CPB00279	01-A	



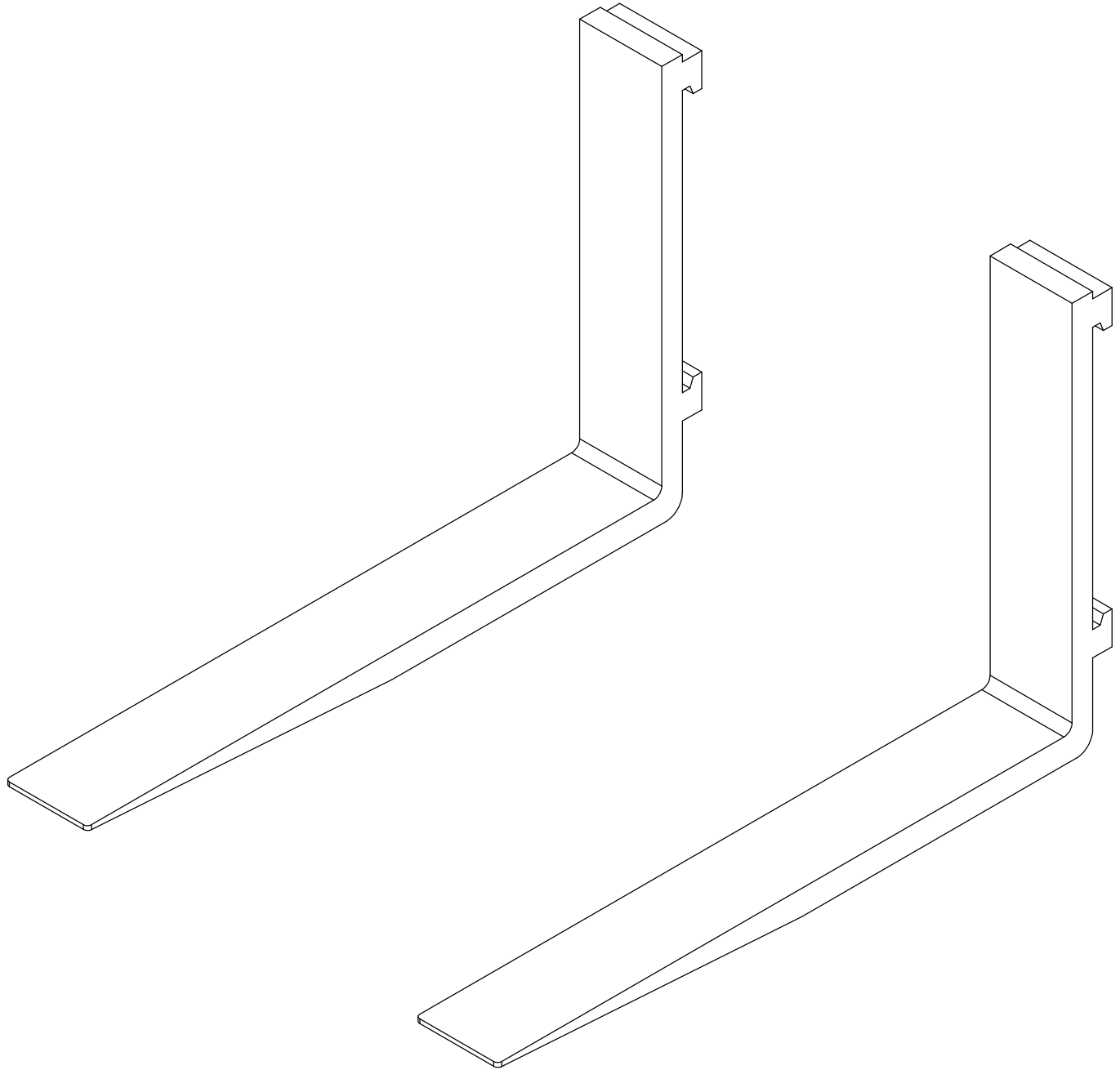
Ref No: CM14H018

Rev: 00

Rev Date: 30/04/08

SECTION
18

Title: Forks





Ref No: CM14H023

Rev: 00

Rev Date: 30/04/08

SECTION

Title: Rear Hub Hydraulics

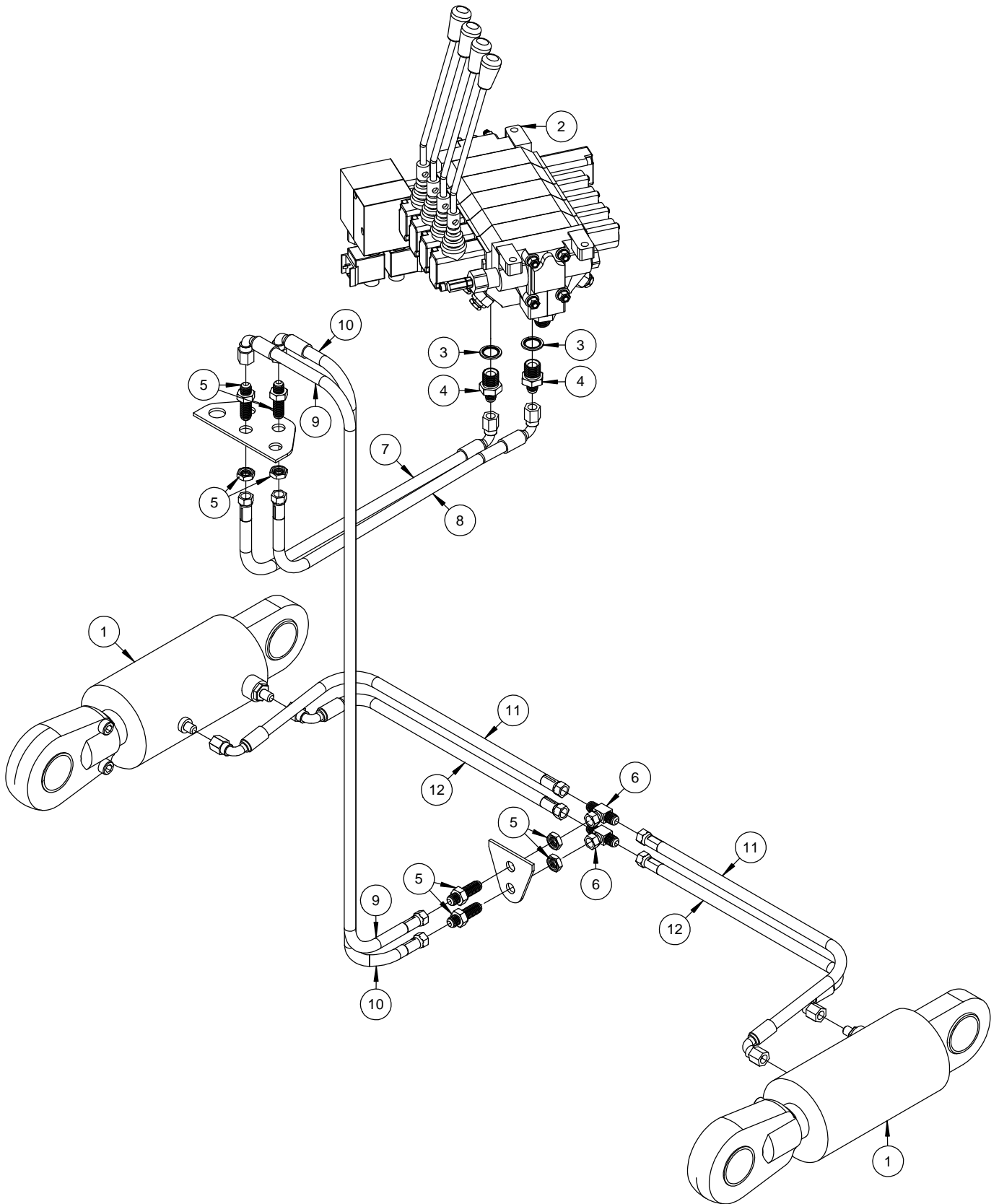
23

Parts Table

ITEM	QTY.	DESCRIPTION	PART NO.	REV.	SERIAL BREAK
1	1	Hydraulic Tank	SMH00001	01-A	
2	1	Rear Arm	DMS00015	01-A	
3	1	Rear Motor	SPHY0050	01-A	
4	1	Hydrostatic Pump	SPHY0007	01-A	
5	1	Brake Valve	CPHY0006	01-A	
6	2	M27 - 1"1/16 JIC M/M Adaptor	SPF00011	01-A	
7	1	M18 - 9/16" JIC M/M Adaptor	SPF00018	01-A	
8	1	M16 - 9/16" JIC M/M Adaptor	SPF00021	01-A	
9	1	Rear Arm Hydraulic Pipe	DPS00003	01-A	
10	1	Rear Arm Hydraulic Pipe	DPS00004	01-A	
11	2	1"1/16 BSP Swivel Fitting	SPHY0006	01-A	
12	3	M18 Bond Seal	SPF00032	01-A	
13	6	3/4"BSP - 7/8"JIC M/M Adaptor	SPF00010	01-A	
14	8	3/4" Bond Seal	cPF00057	01-A	
15	1	9/16"JIC Block 90 ° M/F	CPF00069	01-A	
16	1	9/16"JIC Tee M/M/F	SPF00026	01-A	
17	1	9/16"JIC Tee M/F/M	SPF00025	01-A	
18	1	M16 Bond Seal	CPF00100	01-A	
19	2	M27 Bond Seal	SPF00043	01-A	
20	1	Hose - Back Block to Back of Rear Arm - Diesel	SPH00560	01-A	
20	1	Hose - Back Block to Back of Rear Arm *	SPH00610	01-A	
21	1	Hose - Front Block to Front of Rear Arm - Diesel	SPH00561	01-A	
21	1	Hose - Front Block to Front of Rear Arm *	SPH00611	01-A	
22	1	Hose - Rear Motor Bleed to Hyd. Tank - Diesel	SPH00308	01-A	
22	1	Hose - Rear Motor Bleed to Hyd. Tank *	SPH00618	01-A	
23	1	Hose - P2 Brake Valve to Rear Motor - Diesel	SPH00309	01-A	
23	1	Hose - P2 Brake Valve to Rear Motor *	SPH00619	01-A	

Note:

1. Please Quote Machine Serial Number When Ordering Hoses If Unsure Of Part Numbers Of Hose Required.
2. Parts Marked With * Are For Diesel Machines With The 400mm Wider Frame.



CLICK HERE TO **DOWNLOAD** THE COMPLETE MANUAL

- Thank you very much for reading the preview of the manual.
- You can download the complete manual from: www.heydownloads.com by clicking the link below



- Please note: If there is no response to CLICKING the link, please download this PDF first and then click on it.

CLICK HERE TO **DOWNLOAD** THE COMPLETE MANUAL