

Parts Manual



See "General Information"
for New Parts Manual
Features.

D8T TRACK-TYPE TRACTOR

J8B1-Up (Machine)
LHX1-Up (Engine)
DZH1-Up (Transmission)
A5G1-Up (Bulldozer)
B8S1-Up (Bulldozer)
D1E1-Up (Bulldozer)
D1F1-Up (Bulldozer)
DZR1-Up (Bulldozer)
DZS1-Up (Bulldozer)
DZX1-Up (Bulldozer)
L1J1-Up (Ripper)
R8S1-Up (Ripper)
BZC1-Up (Torque Converter)

Powered By C15 Engine

This Parts Manual is also available in .PDF format on Compact Disc (CD-ROM)-Caterpillar Form No. SERP4195-44

CLICK HERE TO **DOWNLOAD** THE COMPLETE MANUAL

- Thank you very much for reading the preview of the manual.
- You can download the complete manual from: www.heydownloads.com by clicking the link below



- Please note: If there is no response to CLICKING the link, please download this PDF first and then click on it.

CLICK HERE TO **DOWNLOAD** THE COMPLETE MANUAL

GENERAL INFORMATION

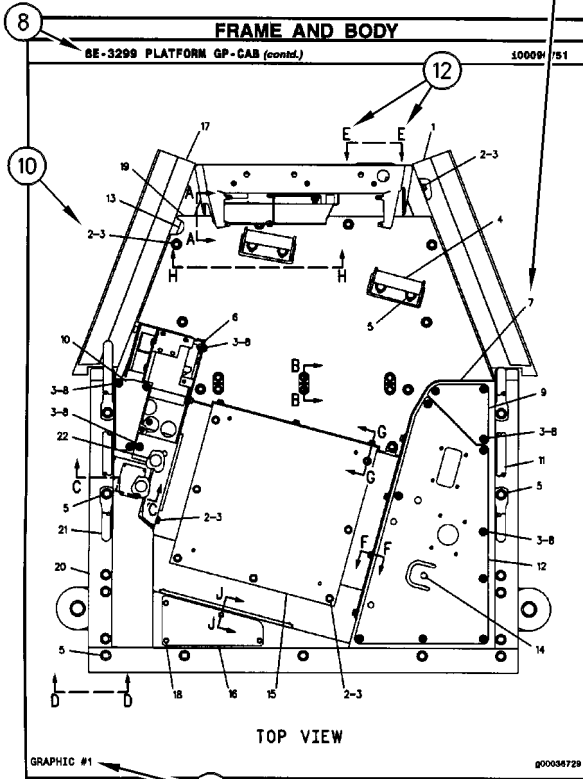
8 FRAME AND BODY					
BE-3299 PLATFORM GP-CAB					
PIN 3841-99999					
					100090751
NOTE	REF NO	GRAPHIC REF	PART NUMBER	QTY	PART NAME
	1		31-2982	1	PLATE AS
	2		68-2986	85	BOLT (3/8-18X.750IN)
	3		68-1076	41	WASHER-HARD (3MM THK)
	4		68-1444	2	SUPPORT AS-FOOT
	5		77-2229	19	BOLT (1/2-13X1.75IN)
	6		68-1136	2	COVER AS-LH
	7		68-1137	2	COVER AS-RH
	8		68-1138	2	COVER AS-FR
	9		68-1139	2	COVER AS-BK
	10		68-1140	2	COVER AS-FL
	11		68-1141	2	COVER AS-RR
	12		68-1142	2	COVER AS-RL
	13		68-1143	2	COVER AS-RR
	14		68-1144	2	COVER AS-RL
	15		68-1145	2	COVER AS-RR
	16		68-1146	2	COVER AS-RL
	17		68-1147	2	COVER AS-RR
	18		68-1148	2	COVER AS-RL
	19		68-1149	2	COVER AS-RR
	20		68-1150	2	COVER AS-RL
	21		68-1151	2	COVER AS-RR
	22		68-1152	2	COVER AS-RL
	23		68-1153	2	COVER AS-RR
	24		68-1154	2	COVER AS-RL
	25		68-1155	2	COVER AS-RR
	26		68-1156	2	COVER AS-RL
	27		68-1157	2	COVER AS-RR
	28		68-1158	2	COVER AS-RL
	29		68-1159	2	COVER AS-RR
	30		68-1160	2	COVER AS-RL
	31		68-1161	2	COVER AS-RR
	32		68-1162	2	COVER AS-RL
	33		68-1163	2	COVER AS-RR
	34		68-1164	2	COVER AS-RL
	35		68-1165	2	COVER AS-RR
	36		68-1166	2	COVER AS-RL
	37		68-1167	2	COVER AS-RR
	38		68-1168	2	COVER AS-RL
	39		68-1169	2	COVER AS-RR
	40		68-1170	2	COVER AS-RL

12 FRAME AND BODY 1 of 4 SELP 170-01

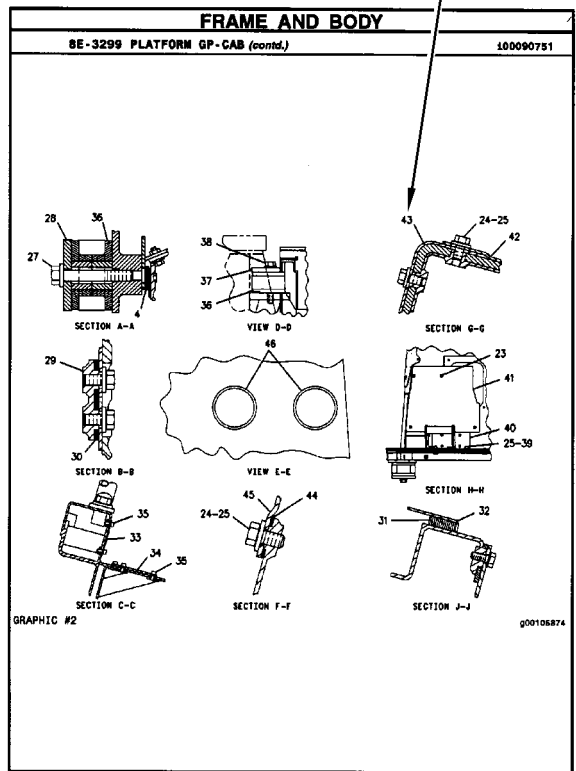
8 FRAME AND BODY					
BE-3299 PLATFORM GP-CAB (contd.)					
					100090751
NOTE	REF NO	GRAPHIC REF	PART NUMBER	QTY	PART NAME
	41		68-8816	1	COVER
	42		77-0124	1	PLATE
	43		77-0128	1	GASKET
	44		78-8724	1	GASKET
	45		78-8725	1	COVER
	46		68-1069	2	PLUS-BUTTON

M-METRIC PART

SELPA670-01 2 of 4 FRAME AND BODY 13



14 FRAME AND BODY 3 of 4 SELPA670-01



SELPA670-01 4 of 4 FRAME AND BODY 15

MACHINE ARRANGEMENT

209-5119 MACHINE AR-HIGH AMBIENT TEMP

S/N: J8B1-UP

FOR USE WITH 209-5106-PAGE 169. CANNOT BE USED WITH 209-5099-PAGE 5,
209-3416-PAGE 113, 250-0855-PAGE 113, 209-5103-PAGE 560, 209-8385-PAGE 150,
218-3397-PAGE 132
AN ATTACHMENT

SMCS-7000

i03242644

NOTE	PART NUMBER	QTY	PART NAME						SEE PAGE
			1	2	3	4	5	6 (PRODUCT LEVEL)	
Y	249-0992	1	ENCLOSURE GP-ENGINE (DESERT)						546
Y	217-3616	1	GUARD GP-BOTTOM						566
Y	246-9822	1	SEAL GP-WASTE HANDLING						588
	209-5097	1	SPIDER AS-FAN (8-BLADE)						
Y-SEPARATE ILLUSTRATION									
<END>									

209-5101 MODIFICATION AR-WOODCHIP

S/N: J8B1-1255

FOR USE WITH 209-5107-PAGE 171, 251-4603-PAGE 134, 218-3397-PAGE 132,
209-9751-PAGE 1009
AN ATTACHMENT

SMCS-7000

i02973796

NOTE	PART NUMBER	QTY	PART NAME						SEE PAGE
			1	2	3	4	5	6 (PRODUCT LEVEL)	
Y	209-8385	1	RADIATOR GP						150
Y	192-2599	1	ROLLER AR-TRACK CARRIER						643
Y	257-5092	1	LINES GP-ALTERNATOR AIR						317
Y	246-9822	1	SEAL GP-WASTE HANDLING						588
Y-SEPARATE ILLUSTRATION									
<END>									

ENGINE ARRANGEMENT

237-9123 ENGINE AR-COMPLETE

S/N: LHX1-UP

PART OF 209-3416, 250-0855 SUPPRESSION AR-SOUND
AN ATTACHMENT

SMCS-1000

i03075398

NOTE	PART NUMBER	QTY	PART NAME						SEE PAGE
			1	2	3	4	5	6 (PRODUCT LEVEL)	
Y	286-8209	1	BREATHER GP						116
			S/N: LHX6761-UP						
Y	126-7631	1	CONNECTION GP-ELECTRICAL						238
Y	243-1560	1	CONTROL & MTG GP-ENGINE ELEK						239
Y	170-4672	1	COVER GP-CYLINDER BLOCK (CENTRAL STRUCTURE)						23
Y	228-4412	1	COVER GP-CYLINDER BLOCK						24
Y	216-5540	1	COVER GP-FLYWHEEL HOUSING						25
Y	220-6390	1	COVER GP-FLYWHEEL HOUSING						26
Y	159-6159	1	COVER GP-FRONT HOUSING (CAM, IDLER GEAR)						27
Y	238-1262	1	COVER GP-SOUND SUPPRESSION						28
Y	230-3818	1	COVER GP-VALVE MECHANISM						32
			S/N: LHX1-6760						
Y	286-7168	1	COVER GP-VALVE MECHANISM						34
			S/N: LHX6761-UP						
Y	247-9926	1	DAMPER & PULLEY GP						58
Y	6I-3638	1	DRIVE GP-PUMP						446
Y	241-5929	1	ENGINE AR-CORE						15
			S/N: LHX1-3850, 4863-UP						
Y	279-1260	1	ENGINE AR-CORE						16
			S/N: LHX3851-4862						
Y	221-1428	1	FASTENER GP-FRONT HOUSING						61
Y	4P-6846	1	FASTENER GP-FRONT HOUSING						60
Y	4N-2481	1	FASTENER GP-OIL PUMP MOUNTING						117
Y	220-6374	1	FILLER GP-ENGINE OIL						118
Y	225-1494	1	FILTER GP-ENGINE OIL						119
Y	217-3660	1	FILTER GP-PRIMARY FUEL (ELECTRIC FUEL PRIMING)						182
Y	227-5148	1	FILTER GP-SECONDARY FUEL						186
Y	221-1427	1	FLYWHEEL GP						63
Y	220-6367	1	GAUGE GP-OIL LEVEL (DIPSTICK) (ENGINE)						123
Y	211-5012	1	GEAR GP-REAR						67
Y	223-4423	1	HOUSING GP-FLYWHEEL						69
Y	236-8122	1	HOUSING GP-FRONT						73
Y	260-7555	1	LIFTING GP-ENGINE (REAR)						76
Y	111-2355	1	LIFTING GP-ENGINE (FRONT)						75
Y	225-3252	1	LINES GP-FUEL FILTER						195
Y	225-4126	1	LINES GP-TURBOCHARGER OIL						124
Y	222-4604	1	LINES GP-WATER						140
Y	225-4127	1	LINES GP-WATER (TURBOCHARGER)						144
Y	220-6372	1	MANIFOLD GP-EXHAUST						164
Y	222-5314	1	MOUNTING GP-AIR CLEANER						165
Y	222-4562	1	MOUNTING GP-ALTERNATOR & COMPR						81
Y	259-4756	1	MOUNTING GP-SENSOR (ATMOSPHERIC, ENGINE OIL)						326
Y	251-7544	1	PAN GP-OIL (ENGINE)						88
Y	174-3874	1	PANEL GP-SOUND SUPPRESSION (ENGINE, LH)						587
Y	224-3978	1	PLATE GP-ENGINE IDENTIFICATION						1233
			S/N: LHX1-12432						
Y	225-6329	1	PLUG GP-CYLINDER BLOCK						100
Y	229-9477	1	PLUG GP-CYLINDER BLOCK (OIL GALLERY)						101
Y	229-6711	1	PLUG GP-CYLINDER HEAD						103
Y	150-4279	1	PUMP & MTG GP-FUEL TRANSFER						203
YR	161-4113	1	PUMP GP-ENGINE OIL						130
Y	174-5986	1	PUMP GP-WATER						147
Y	231-1973	1	SENSOR GP-ENGINE						338
Y	216-5541	1	SUPPORT GP-ENGINE						111

BASIC ENGINE

170-4672 COVER GP-CYLINDER BLOCK

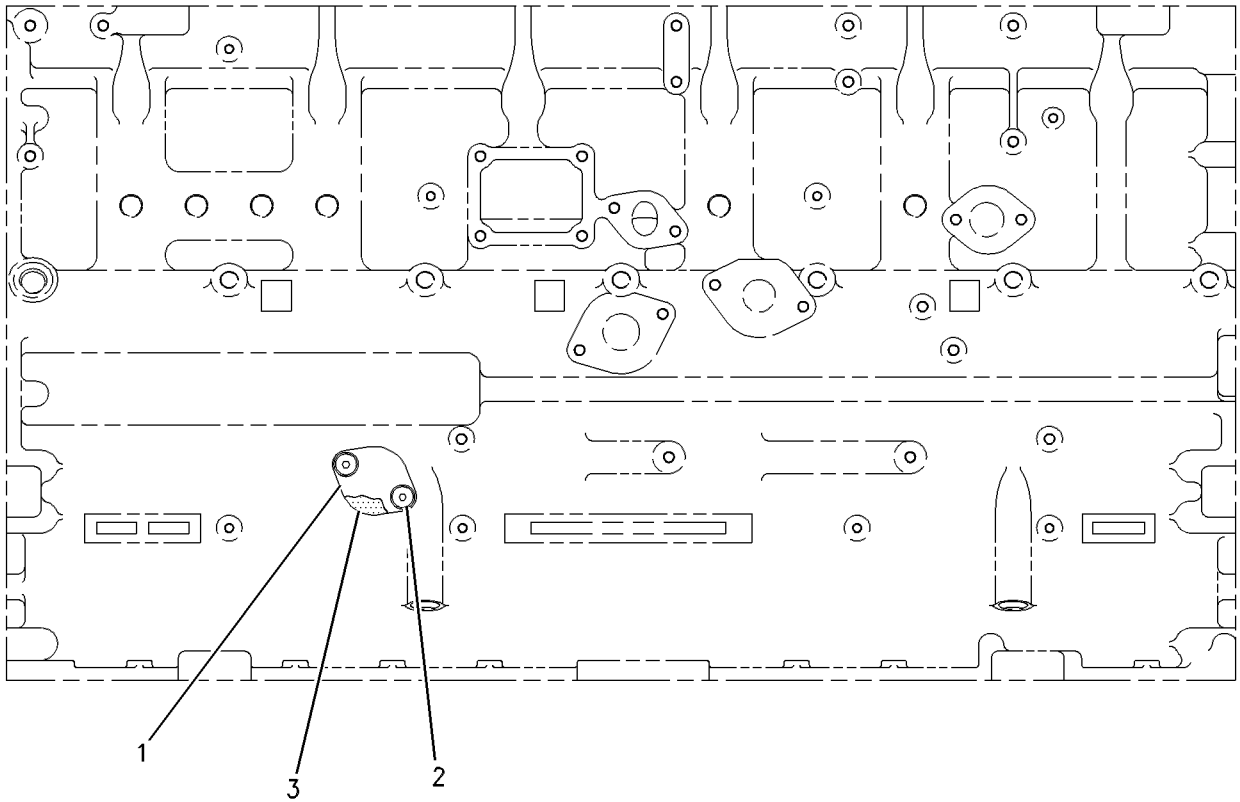
S/N: LHX1-UP

PART OF 225-0097, 237-9123 ENGINE AR-COMplete
ALSO AN ATTACHMENT

SMCS-1201

i01439894

NOTE	REF NO	GRAPHIC REF	PART NUMBER	QTY	PART NAME						SEE PAGE
					1	2	3	4	5	6 (PRODUCT LEVEL)	
	1	1	7W-5444	1	COVER						
	2	1	030-7571	2	BOLT (3/8-16X1.0IN)						
	3	1	4N-0699	1	GASKET						



RIGHT SIDE VIEW

GRAPHIC #1

<END>

g00661276

BASIC ENGINE

236-2230 COVER GP-VALVE MECHANISM

S/N: LHX1-UP

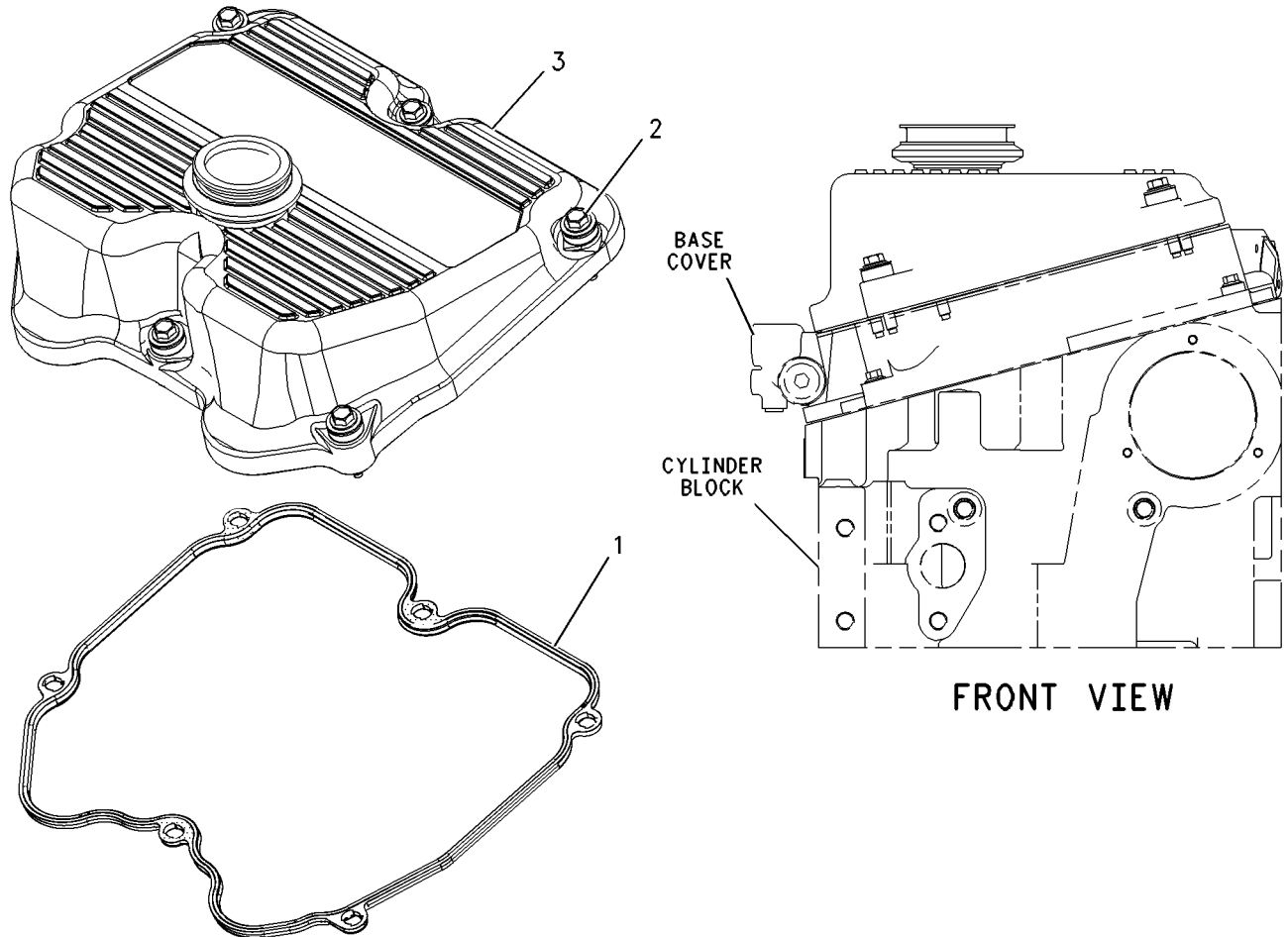
PART OF 225-1150, 286-7168 COVER GP-VALVE MECHANISM
ALSO AN ATTACHMENT

SMCS-1107

i03304195

NOTE	REF NO	GRAPHIC REF	PART NUMBER	QTY	PART NAME						SEE PAGE
					1	2	3	4	5	6 (PRODUCT LEVEL)	
	1	1	242-9537	1	SEAL-VALVE COVER						
	2	1	243-1159	6	FASTENER AS						
					(EACH INCLUDES)						
		1	149-7378	1	GROMMET						
Y	3	1	225-1147	1	COVER GP-VALVE MECHANISM						29

Y-SEPARATE ILLUSTRATION



FRONT VIEW

GRAPHIC #1

<END>

g00990932

BASIC ENGINE

223-9252 CYLINDER BLOCK GP

S/N: LHX10176-UP

PART OF 241-5929 ENGINE AR-CORE
ALSO AN ATTACHMENT

SMCS-1201

i03336949

NOTE	REF NO	GRAPHIC REF	PART NUMBER	QTY	PART NAME						SEE PAGE
					1	2	3	4	5	6 (PRODUCT LEVEL)	
	1	1	1S-9540	1	DOWEL						
	2	1	4N-1650	1	DOWEL						
	3	1	6I-1055	1	DOWEL						
	4	1	6I-4421	1	PLATE-SPACER						
	5	1	142-2329	1	SEAL						
C	6	1	<i>201-4340</i>	1	PLUG AS						
	6A	1	6V-4589	1	SEAL-O-RING						
	6B	1	9S-8006	1	PLUG-O-RING						
	7	1	227-1204	1	GASKET						
	8	1	250-0466	2	SEAL-O-RING						
	9	1	266-6038	2	DOWEL						
CY	10	1	267-4632	1	CYLINDER BLOCK AS						37
CY	11	1	<i>305-9196</i>	1	PLUG GP-CYLINDER BLOCK						102
	12	1	100-7399	2	PLUG						
	13	1	4N-0683	2	DOWEL						
	14	1	5P-0840	1	SEAL-O-RING						

C-CHANGE FROM PREVIOUS TYPE
Y-SEPARATE ILLUSTRATION

BASIC ENGINE

223-9250 CYLINDER HEAD GP*R

S/N: LHX2972-10975

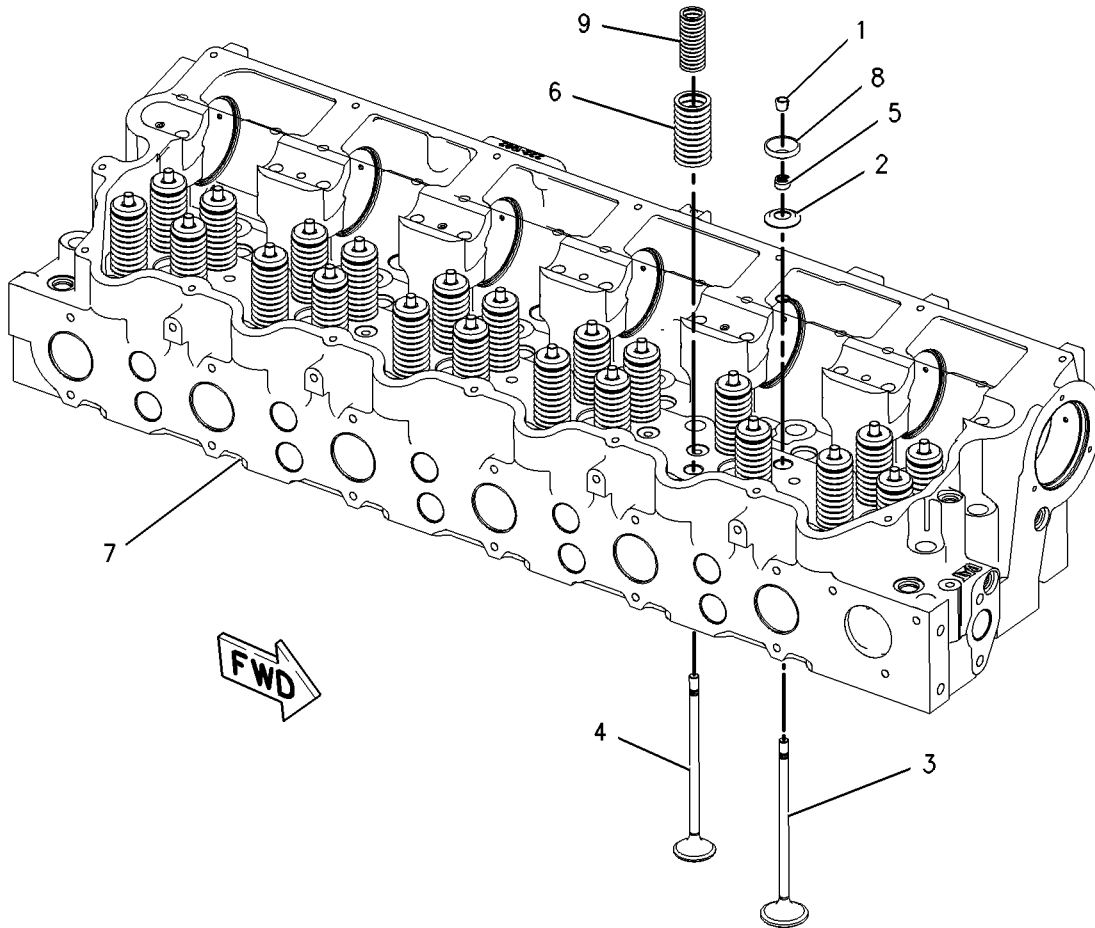
PART OF 235-2974 CYLINDER HEAD GP
ALSO AN ATTACHMENT

SMCS-1100

i02847393

NOTE	REF NO	GRAPHIC REF	PART NUMBER	QTY	PART NAME						SEE PAGE
					1	2	3	4	5	6	
	1	1	2A-4429	48	LOCK-RETAINER						
	2	1	6I-0928	24	WASHER-SPECIAL						
	3	1	153-7023	12	VALVE-INLET						
	4	1	153-7024	12	VALVE-EXHAUST						
	5	1	163-2478	24	SEAL-VALVE STEM						
	6	1	247-9908	24	SPRING-VALVE (OUTER)						
Y	7	1	223-7263	1	CYLINDER HEAD AS						46
	8	1	186-2001	24	ROTOCOIL AS						
	9	1	211-3122	24	SPRING-VALVE (INNER)						

Y-SEPARATE ILLUSTRATION



GRAPHIC #1

<END>

g00955632

BASIC ENGINE

221-1427 FLYWHEEL GP

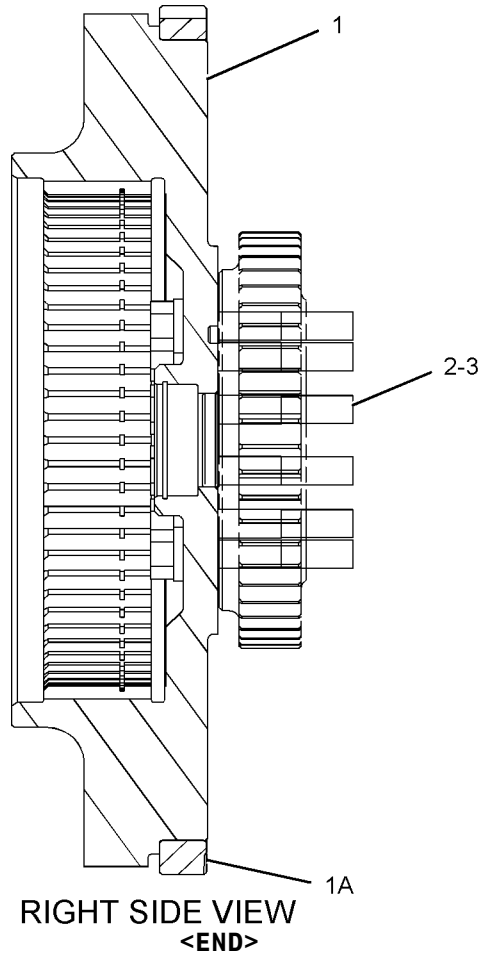
S/N: LHX1-UP

PART OF 225-0097, 237-9123 ENGINE AR-COMplete
ALSO AN ATTACHMENT

SMCS-1156

i02223968

NOTE	REF NO	GRAPHIC REF	PART NUMBER	QTY	PART NAME						SEE PAGE
					1	2	3	4	5	6 (PRODUCT LEVEL)	
	1	1	217-3725	1	FLYWHEEL AS						
	1A	1	4N-2514	1	GEAR (113-TEETH)						
	2	1	0S-2353	12	BOLT (5/8-18X3.75-IN)						
	3	1	4D-3704	12	WASHER-HARD (17X30X5-MM THK)						



GRAPHIC #1

g01021045

BASIC ENGINE

236-8122 HOUSING GP-FRONT

S/N: LHX1-UP

SOUND SUPPRESSION

PART OF 237-9123 ENGINE AR-COMPLETE

AN ATTACHMENT

SMCS-1151, 1162, 1206

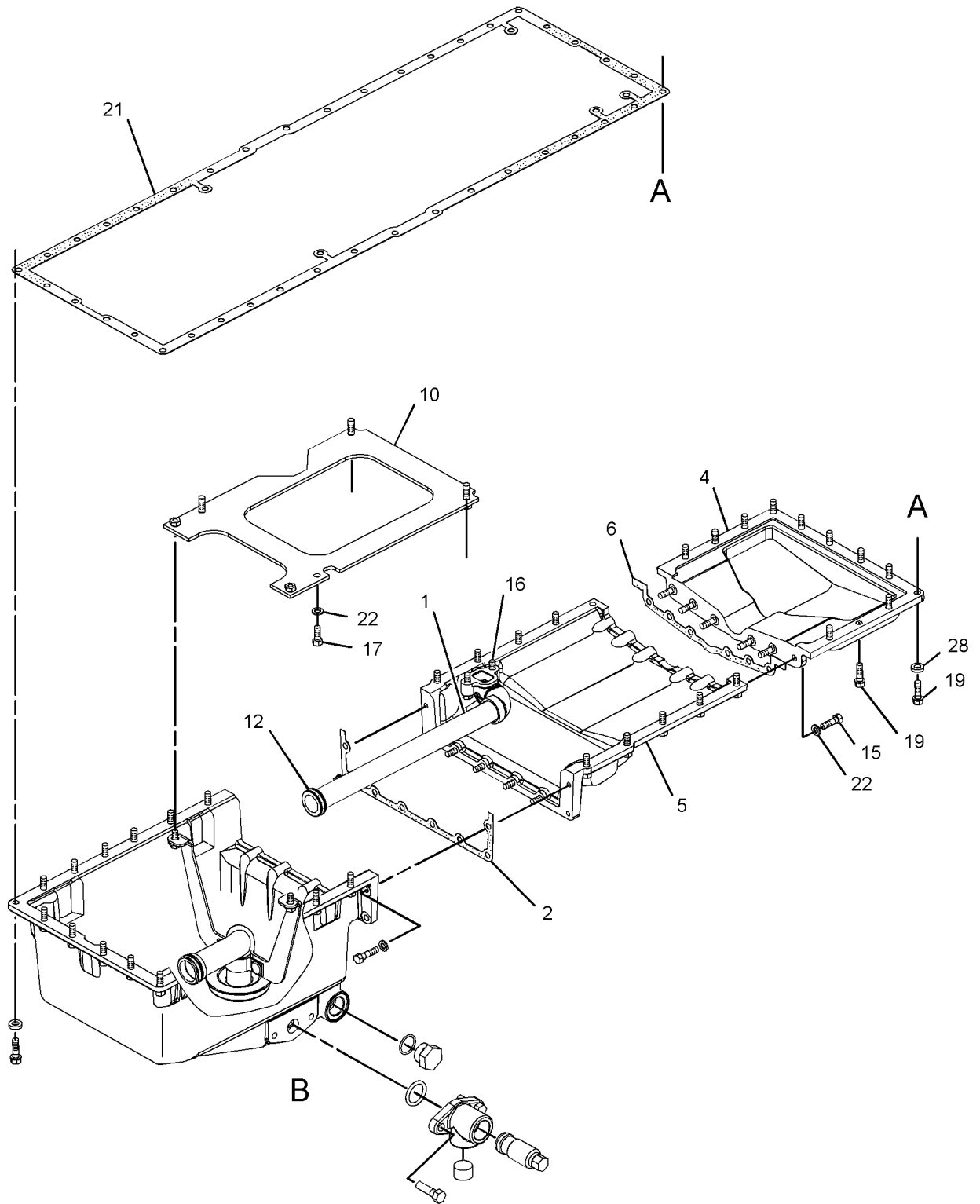
i03304312

NOTE	REF NO	GRAPHIC REF	PART NUMBER	QTY	PART NAME						SEE PAGE
					1	2	3	4	5	6 (PRODUCT LEVEL)	
	1	1	7C-1445	1	COVER						
	2	1	120-9243	2	STUD (BRAKE)						
	3	1	126-1757	9	WASHER (10.85X19.3X1.27-MM THK)						
	4	1	129-5427	2	WASHER-SPECIAL (SEALING)						
	5	1	129-5428	12	STUD (BRAKE) (MARKED X)						
	6	1	155-9524	1	SEAL-INTEGRAL						
	7	1	166-9144	1	GASKET						
	8	1	187-5420	1	HOUSING-FRONT						
	9	1	223-0533	1	PLATE						
	10	1	237-4332	1	COVER AS						
	11	1	061-9455	1	SEAL-O-RING						
	12	1	0L-2070	1	BOLT (3/8-16X2.25-IN)						
	13	1	0S-1588	7	BOLT (3/8-16X1.25-IN)						
	14	1	0S-1591	3	BOLT (3/8-16X1.5-IN)						
	15	1	0T-0055	4	BOLT (3/8-16X4.25-IN)						
	16	1	1A-2029	2	BOLT (3/8-16X1.125-IN)						
	17	1	1A-5964	2	BOLT (3/8-16X4.5-IN)						
	18	1	2B-2695	2	BOLT (5/16-18X0.875-IN)						
	19	1	5M-2894	21	WASHER-HARD (10.2X18.5X2.5-MM THK)						
	20	1	5P-4255	8	BOLT-LOCKING (3/8-16X1-IN)						
	21	1	9K-0416	1	STUD (1/2-13X3.5-IN)						
	22	1	9M-1974	2	WASHER-HARD (8.8X16X2-MM THK)						
	23	1	9S-8752	2	NUT-FULL (3/8-16-THD)						
	24	1	9X-6458	8	WASHER-HARD (10.2X22.5X3-MM THK)						

BASIC ENGINE

251-4300 PAN GP-OIL (contd.)

i02917118



GRAPHIC #1

g01447366

BASIC ENGINE

313-3754 PAN GP-OIL

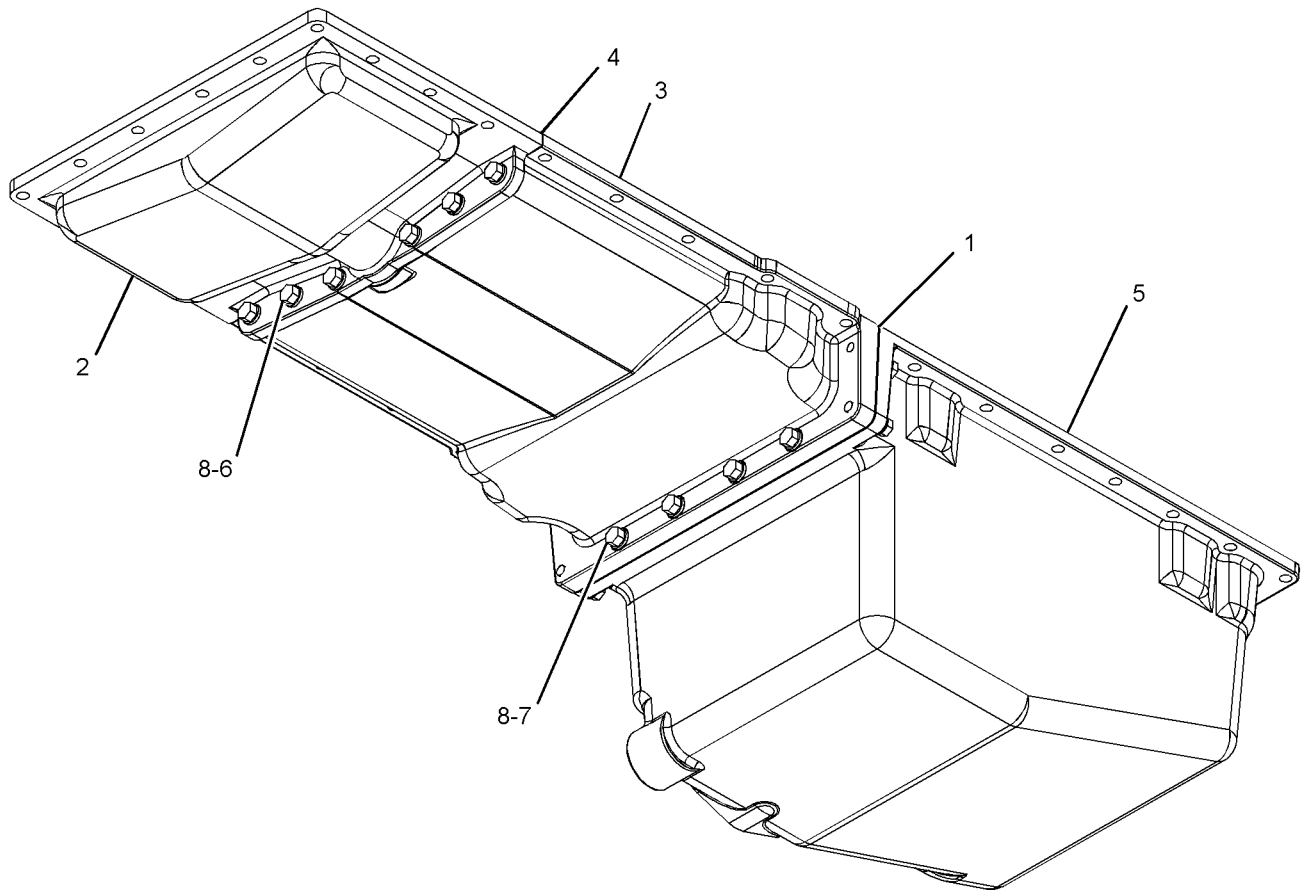
S/N: LHX1-UP

PART OF 251-4300, 251-7544 PAN GP-OIL
ALSO AN ATTACHMENT

SMCS-1302

i02917650

NOTE	REF NO	GRAPHIC REF	PART NUMBER	QTY	PART NAME						SEE PAGE
					1	2	3	4	5	6 (PRODUCT LEVEL)	
	1	1	4N-7266	1	GASKET-OIL PAN						
	2	1	7W-0843	1	PAN-REAR OIL						
	3	1	7W-0844	1	PAN-CENTER OIL						
	4	1	7W-0845	1	GASKET						
	5	1	116-7885	1	PAN-FRONT OIL						
	6	1	0S-1588	6	BOLT (3/8-16X1.25-IN)						
	7	1	0S-1591	8	BOLT (3/8-16X1.5-IN)						
	8	1	5M-2894	14	WASHER-HARD (10.2X18.5X2.5-MM THK)						



GRAPHIC #1

<END>

g01439674

BASIC ENGINE

229-6711 PLUG GP-CYLINDER HEAD

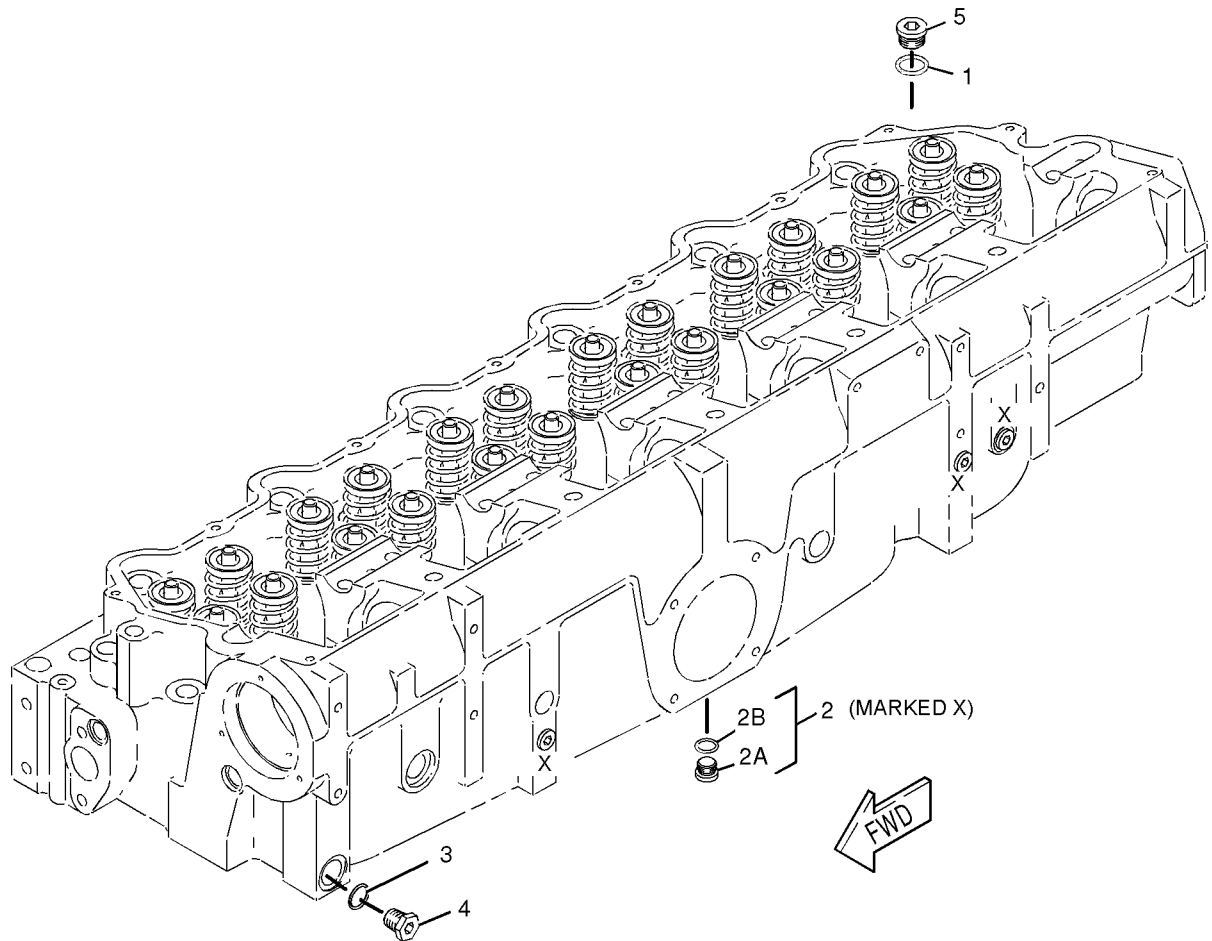
S/N: LHX1-UP

FOR USE WITH AIR COMPRESSOR COVER GROUP, WHEN THERE IS NO AIR COMPRESSOR
PART OF 225-0097, 237-9123 ENGINE AR-COMplete
ALSO AN ATTACHMENT

SMCS-1100, 1101

i02220040

NOTE	REF NO	GRAPHIC REF	PART NUMBER	QTY	PART NAME						SEE PAGE
					1	2	3	4	5	6 (PRODUCT LEVEL)	
	1	1	6V-6609	1	SEAL-O-RING						
	2	1	183-3408	4	PLUG AS						
					(EACH INCLUDES)						
	2A	1	9S-8004	1	PLUG-O-RING						
	2B	1	153-4906	1	SEAL-O-RING						
	3	1	6V-3251	1	SEAL-O-RING						
	4	1	9S-8006	1	PLUG-O-RING						
	5	1	9S-8005	1	PLUG-O-RING						



GRAPHIC #1

<END>

g01037658

BASIC ENGINE

209-3416 SUPPRESSION AR-SOUND-EEC

S/N: J8B1-UP
110-DECIBELS
FOR USE WITH CAB
AN ATTACHMENT

SMCS-1801

i02240687

NOTE	PART NUMBER	QTY	PART NAME						SEE PAGE
			1	2	3	4	5	6 (PRODUCT LEVEL)	
Y	209-5036	1	ENCLOSURE GP-ENGINE						544
Y	237-9123	1	ENGINE AR-COMPLETE						13
Y	189-5609	2	FINAL DRIVE GP						444
Y	213-7507	1	SHIELD GP-MANIFOLD						177
	0S-1591	2	BOLT (3/8-16X1.5-IN)						
	239-6943	1	BRACKET AS						
	239-6944	1	BRACKET AS						
Y-SEPARATE ILLUSTRATION									
<END>									

250-0855 SUPPRESSION AR-SOUND-EAME

S/N: J8B1-UP
113-DECIBELS
FOR USE WITH CAB
AN ATTACHMENT

SMCS-1801

i02246068

NOTE	PART NUMBER	QTY	PART NAME						SEE PAGE
			1	2	3	4	5	6 (PRODUCT LEVEL)	
Y	209-5036	1	ENCLOSURE GP-ENGINE						544
Y	237-9123	1	ENGINE AR-COMPLETE						13
Y	213-7507	1	SHIELD GP-MANIFOLD						177
	0S-1591	2	BOLT (3/8-16X1.5-IN)						
	239-6943	1	BRACKET AS						
	239-6944	1	BRACKET AS						
Y-SEPARATE ILLUSTRATION									
<END>									

LUBRICATION SYSTEM

220-6367 GAUGE GP-OIL LEVEL (DIPSTICK)-ENGINE

S/N: LHX1-UP

LEFT HAND

PART OF 225-0097, 237-9123 ENGINE AR-COMplete

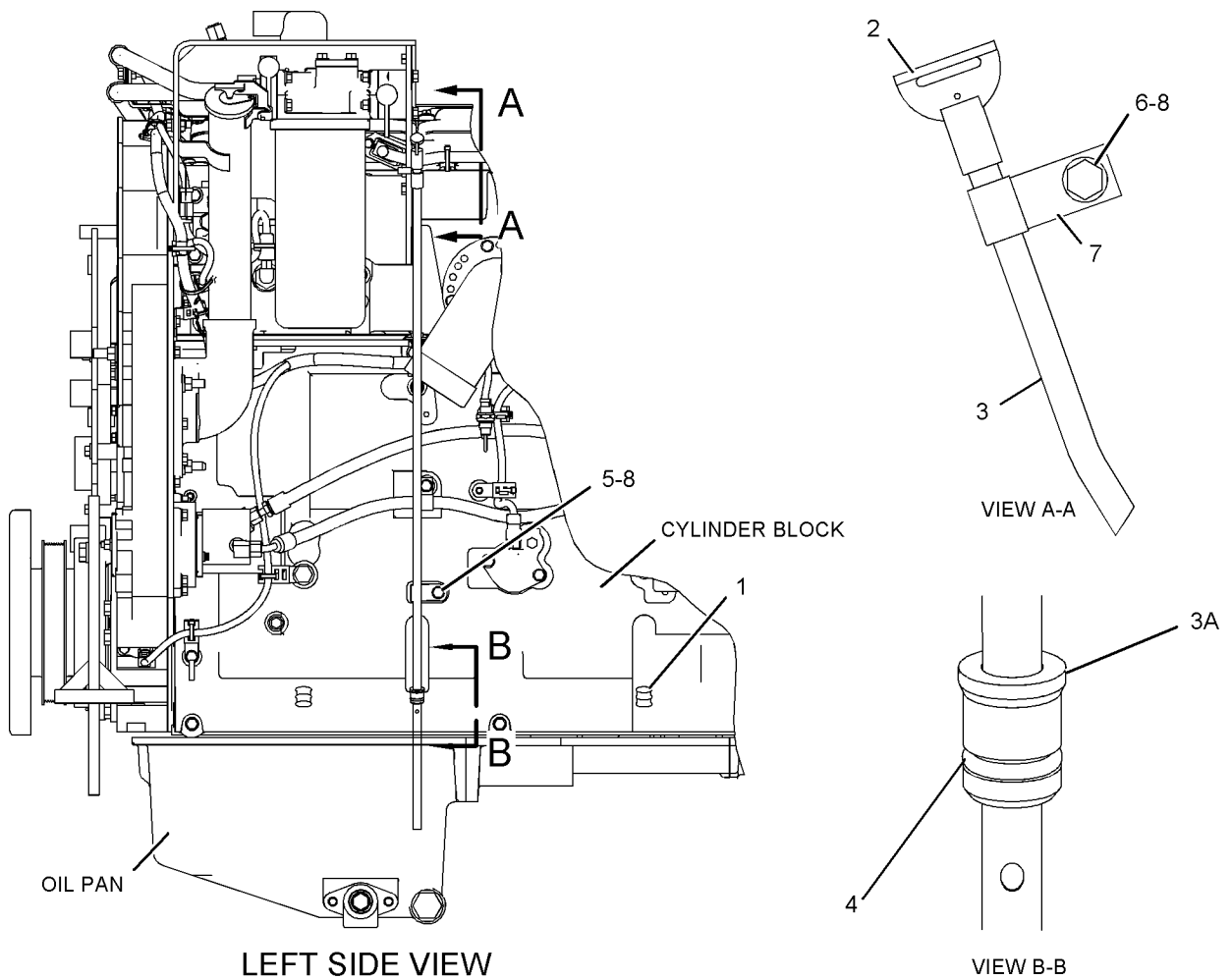
ALSO AN ATTACHMENT

SMCS-1326

i02223948

NOTE	REF NO	GRAPHIC REF	PART NUMBER	QTY	PART NAME						SEE PAGE
					1	2	3	4	5	6 (PRODUCT LEVEL)	
J	1	1	165-6170	3	PLUG						
	2	1	220-7243	1	GAUGE AS-OIL LEVEL (DIPSTICK) (ENGINE)						
	3	1	220-7244	1	GUIDE AS						
	3A	1	4N-1294	1	ADAPTER						
	4	1	061-8639	1	SEAL-O-RING						
	5	1	0S-0509	1	BOLT (3/8-16X0.75-IN)						
	6	1	0S-1594	1	BOLT (3/8-16X1-IN)						
	7	1	4D-9517	1	CLIP						
	8	1	5M-2894	2	WASHER-HARD (10.2X18.5X2.5-MM THK)						

J-USE TO PLUG OPTIONAL DIPSTICK LOCATIONS



GRAPHIC #1

g01075616

COOLING SYSTEM

218-3397 FAN AR-REVERSIBLE

S/N: J8B1-UP

PART OF 251-4603 FAN AR-REVERSIBLE

AN ATTACHMENT

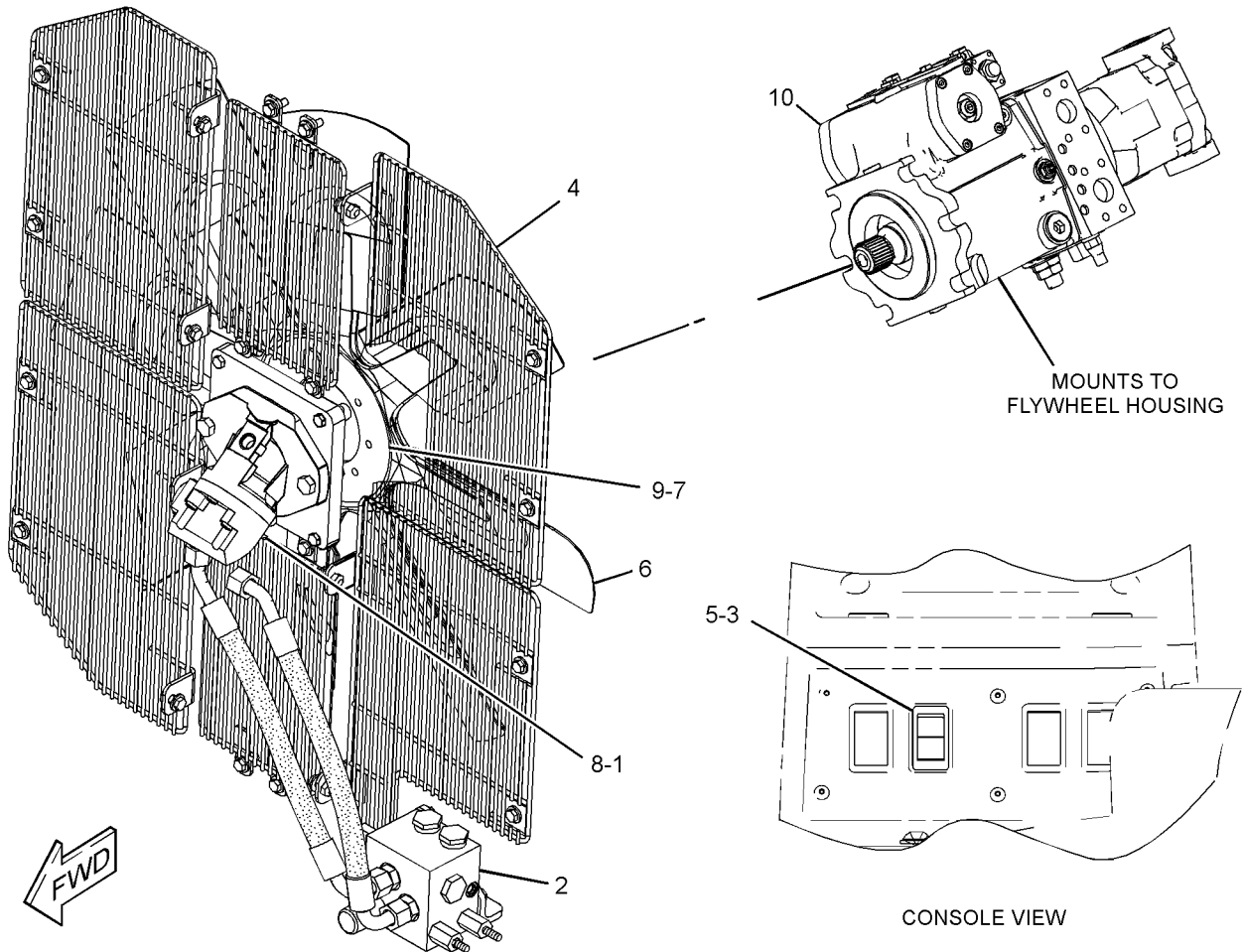
TYPE 2

SMCS-1356, 1360

i03413829

NOTE	REF NO	GRAPHIC REF	PART NUMBER	QTY	PART NAME						SEE PAGE
					1	2	3	4	5	6 (PRODUCT LEVEL)	
YR	1	1	205-1820	1	MOTOR GP-PISTON (REVERSIBLE FAN)						807
Y	2	1	217-5742	1	VALVE & MTG GP-HYDRAULIC FAN (REVERSING)						838
	3	1	222-7887	1	SWITCH AS-ROCKER (REVERSING FAN)						
Y	4	1	238-9658	1	GUARD GP-BRUSH						568
	5	1	261-1582	1	SOFTWARE GP-IMPLEMENT (REVERSING FAN)						
	6	1	310-1512	1	SPIDER AS-FAN (8-BLADE)						
	7	1	311-7135	1	PLATE AS						
M	8	1	8T-4140	2	BOLT (M16X2X60-MM)						
M	9	1	8T-4185	4	BOLT (M10X1.5X50-MM)						
Y	10	1	319-3594	1	PUMP GP-PISTON (REVERSING FAN)						820

M-METRIC PART
R-REMFG PART MAY BE AVAILABLE
Y-SEPARATE ILLUSTRATION



GRAPHIC #1

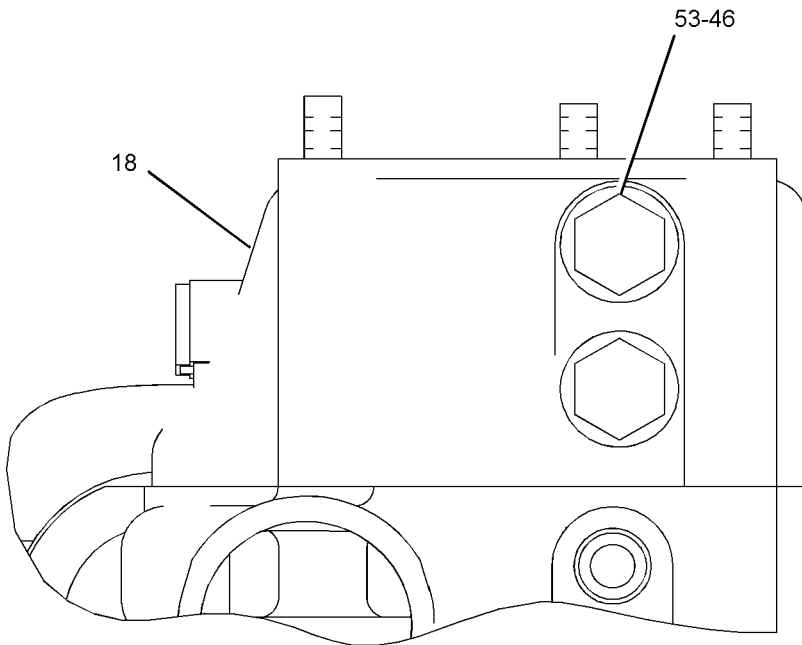
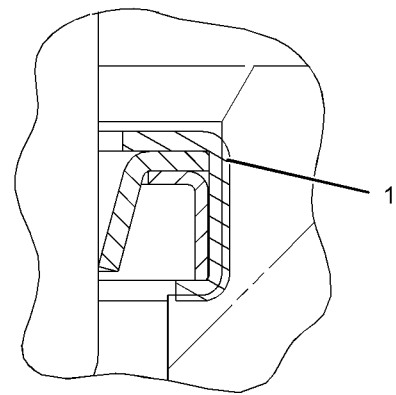
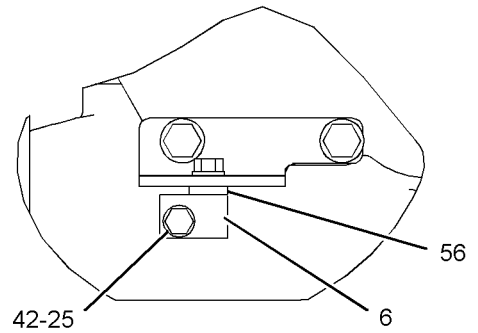
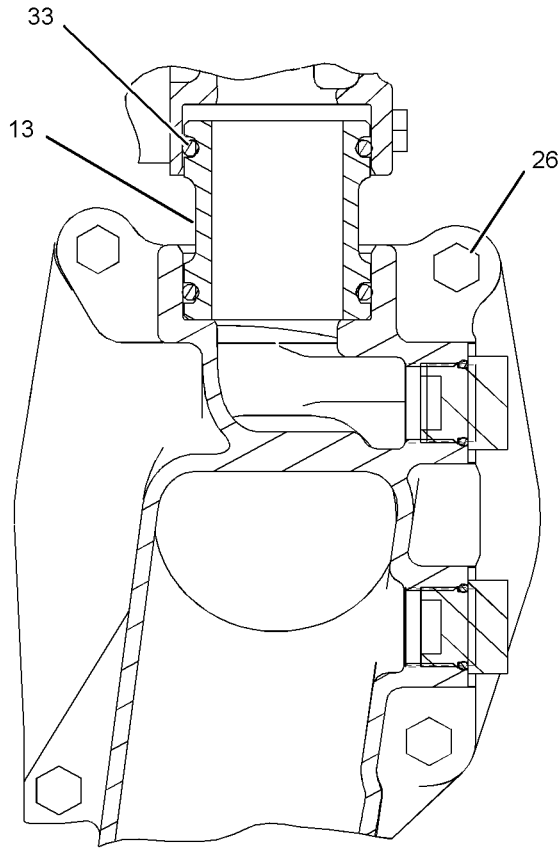
<END>

g01662793

COOLING SYSTEM

222-4604 LINES GP-WATER (contd.)

i03308838



<END>

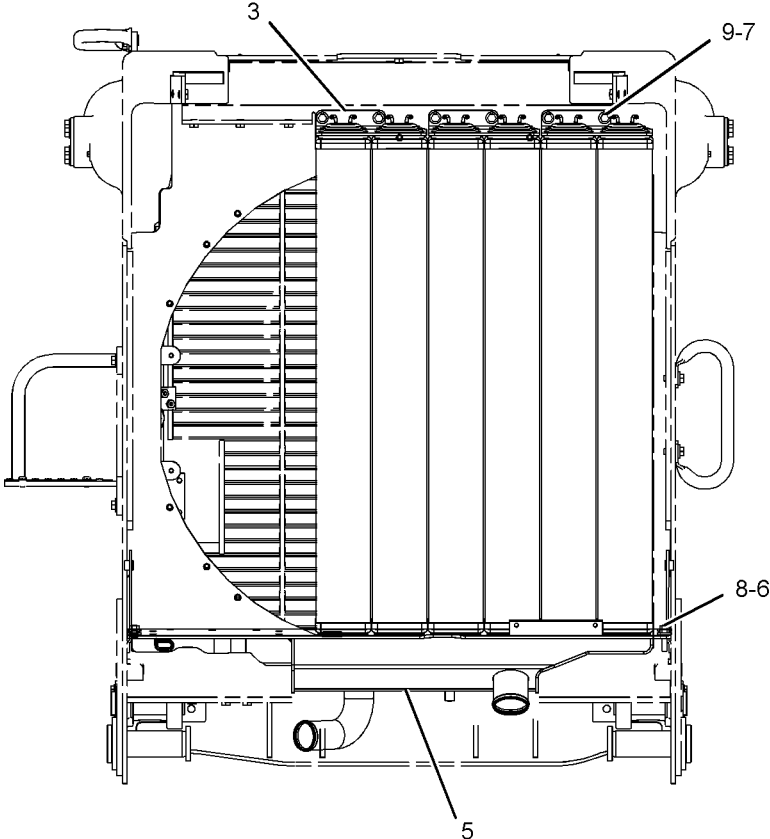
GRAPHIC #2

g01121336

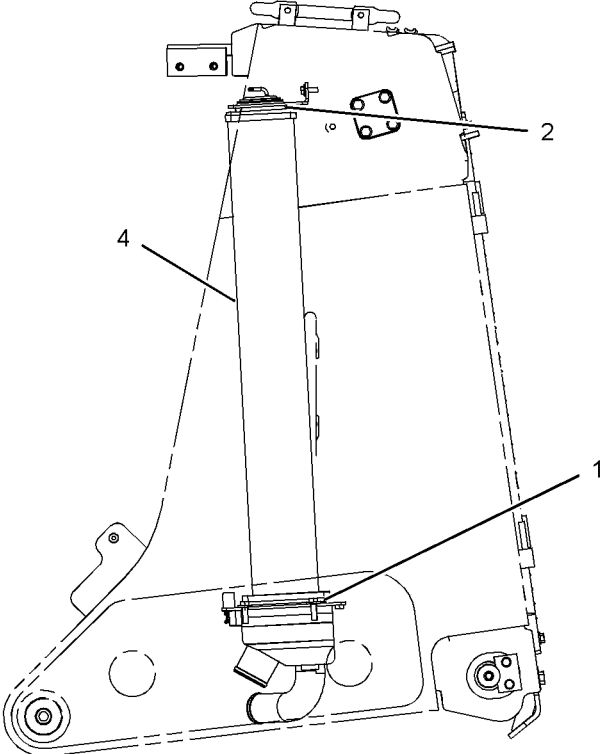
COOLING SYSTEM

209-8402 RADIATOR GP (contd.)

i03042361



REAR VIEW



RIGHT SIDE VIEW
<END>

GRAPHIC #1

g01022353

AIR INLET AND EXHAUST SYSTEM

209-8372 LINES GP-AIR-ATAAC

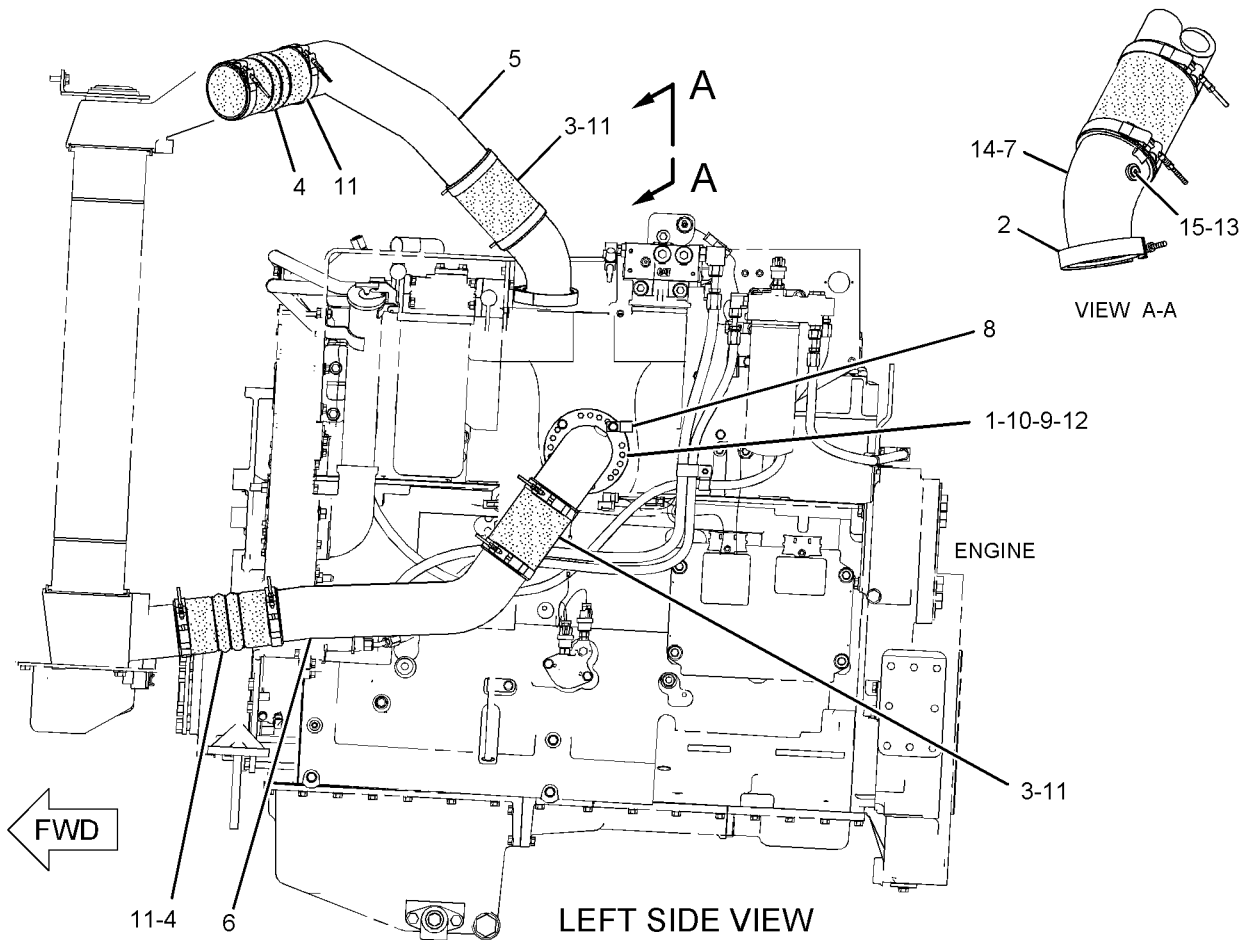
S/N: J8B1-UP

PART OF 209-5457 INSTALLATION AR-ENGINE

SMCS-1071

i02235462

NOTE	REF NO	GRAPHIC REF	PART NUMBER	QTY	PART NAME						SEE PAGE
					1	2	3	4	5	6 (PRODUCT LEVEL)	
	1	1	109-4203	1	ELBOW						
	2	1	127-0929	1	CLAMP						
	3	1	147-7109	2	HOSE						
	4	1	186-2002	2	HOSE						
	5	1	211-6644	1	TUBE						
	6	1	211-6645	1	TUBE						
	7	1	217-8947	1	ELBOW (AFTERCOOLER, OUTLET)						
	8	1	067-2551	1	CLIP						
	9	1	0S-1588	3	BOLT (3/8-16X1.25-IN)						
	10	1	101-3125	1	GASKET (AIR INLET MANIFOLD)						
	11	1	208-7448	8	CLAMP						
	12	1	5M-2894	3	WASHER-HARD (10.2X18.5X2.5-MM THK)						
	13	1	6V-5048	1	SEAL-O-RING						
	14	1	8C-3089	1	SEAL-O-RING						
	15	1	9S-8002	1	PLUG-O-RING						



GRAPHIC #1

<END>

g01127868

AIR INLET AND EXHAUST SYSTEM

244-3457 PRECLEANER GP-WITH SCREEN

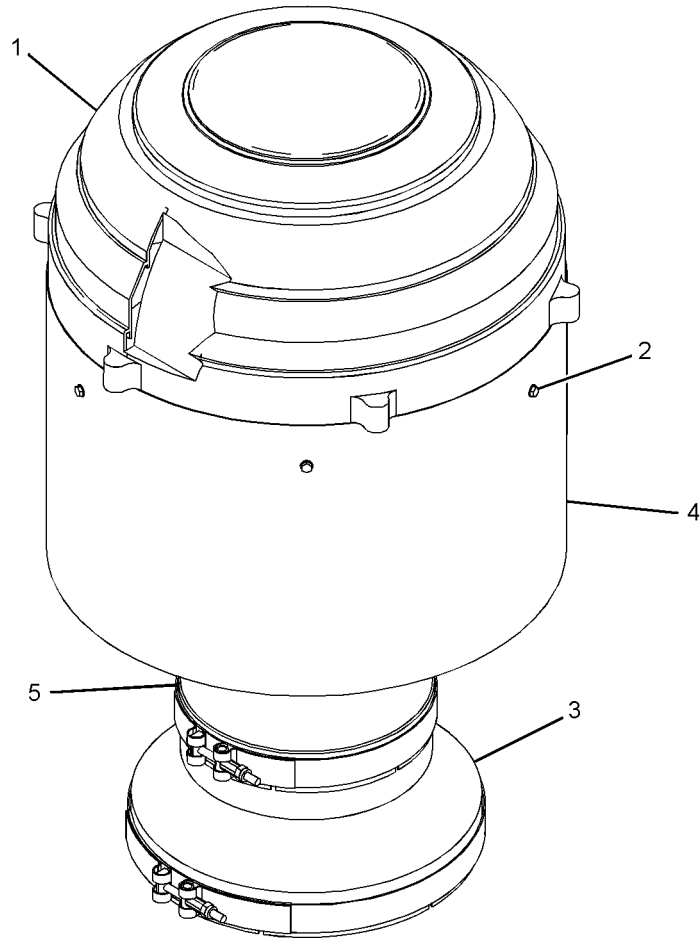
S/N: J8B1-UP

PART OF 309-0110 PRECLEANER AR, 209-5107 PRECLEANER GP
AN ATTACHMENT

SMCS-1055

i02242106

NOTE	REF NO	GRAPHIC REF	PART NUMBER	QTY	PART NAME						SEE PAGE
					1	2	3	4	5	6 (PRODUCT LEVEL)	
	1	1	130-3281	1	PRECLEANER AS (AIR TURBINE)						
		1	174-4895	2	CLAMP						
2		1	145-6669	6	SCREW-Self-TAPPING (NO 10X19.05-MM)						
3		1	145-9987	1	ADAPTER AS						
4		1	208-5837	1	PRESCREEN						
5		1	244-3462	1	TUBE AS						



GRAPHIC #1

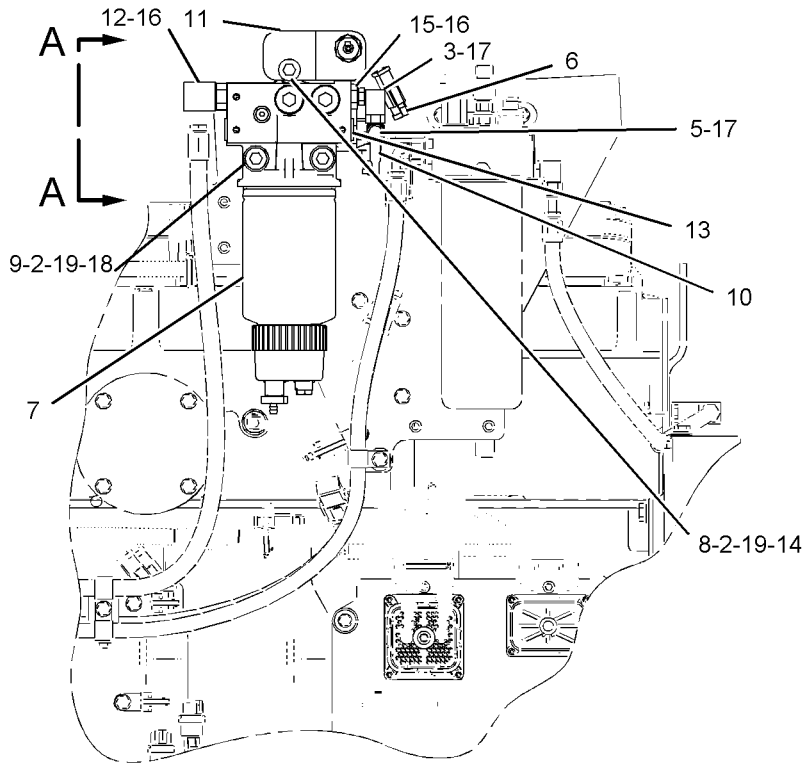
<END>

g01112147

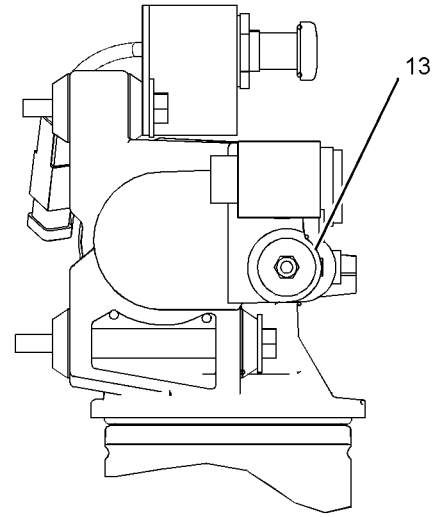
FUEL SYSTEM

217-3660 FILTER GP-PRIMARY FUEL (contd.)

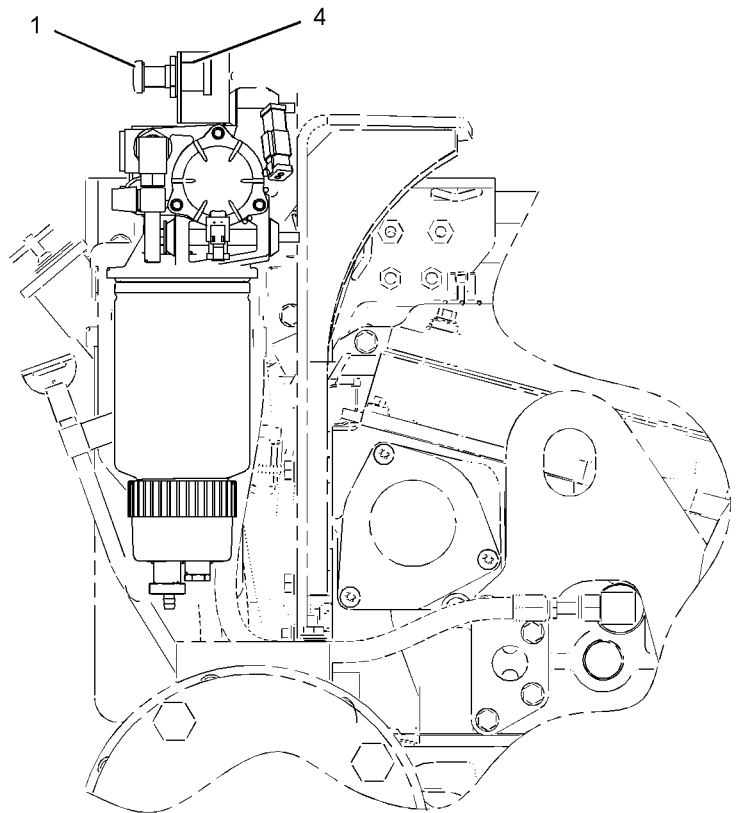
i02226061



LEFT SIDE VIEW



VIEW A-A



REAR VIEW

GRAPHIC #1

<END>

g01065129

FUEL SYSTEM

209-2126 LINES GP-FUEL

S/N: J8B1-UP

PART OF 206-6780 CHASSIS AR

SMCS-1274

i03205211

NOTE	REF NO	GRAPHIC REF	PART NUMBER	QTY	PART NAME						SEE PAGE
					1	2	3	4	5	6 (PRODUCT LEVEL)	
	1	1	246-2641	1	PADLOCK GP (FUEL LINE)						
		1	5P-8500	2	KEY						
	2	1	8T-0081	1	VALVE-BALL (FUEL SHUTOFF)						
	3	1	8T-6639	1	VALVE-BALL (FUEL DRAIN)						
M	4	1	101-3129	2	STUD (M10X1.5-THD)						
	5	1	150-3024	1	ELBOW AS						
		1	5P-4924	1	ELBOW						
		1	3J-1907	1	SEAL-O-RING						
	6	1	194-2903	2	ELBOW AS						
					(EACH INCLUDES)						
		1	8T-0119	1	ELBOW						
		1	3K-0360	1	SEAL-O-RING						
I	7	1	218-2249	1	HOSE AS						
I	8	1	272-9879	1	HOSE AS						
	9	1	229-2681	2	BRACKET AS						
	10	1	248-4221	1	PAN AS-DRIP (FUEL FILTER)						
	11	1	033-6027	1	SEAL-O-RING						
	12	1	033-6039	1	SEAL-O-RING						
	13	1	033-6042	1	SEAL-O-RING						
	14	1	148-8313	1	ADAPTER AS						
		1	5P-6944	1	ADAPTER						
		1	3K-0360	1	SEAL-O-RING						
	15	1	148-8364	1	ELBOW AS						
		1	6V-8625	1	ELBOW						
		1	3K-0360	1	SEAL-O-RING						
		1	6V-8398	1	SEAL-O-RING						
	16	1	148-8374	1	ELBOW AS						
		1	6V-8723	1	ELBOW						
		1	3K-0360	1	SEAL-O-RING						
		1	6V-8397	1	SEAL-O-RING						
	17	1	1P-4278	1	CLAMP-HOSE						
	18	1	1S-6420	2	CLIP						
	19	1	3K-0360	2	SEAL-O-RING						
	20	1	5K-5338	6	CLIP						
	21	1	1S-0994	1	CLIP						
	22	1	4S-1936	1	CLIP						
	23	1	6V-5758	1	SEAL-O-RING						
	24	1	6V-8638	1	CONNECTOR						
	25	1	7X-7729	2	WASHER (11X25X3-MM THK)						
	26	1	8T-1779	1	CONNECTOR						
	27	1	8T-4121	11	WASHER-HARD (11X21X2.5-MM THK)						
M	28	1	8T-4133	2	NUT (M10X1.5-THD)						
M	29	1	8T-4136	2	BOLT (M10X1.5X25-MM)						
M	30	1	8T-4137	5	BOLT (M10X1.5X20-MM)						
M	31	1	8T-4195	2	BOLT (M10X1.5X30-MM)						
D	32	1	5P-5991		HOSE (0.6-M)						
E	33	1	5P-1442		HOSE (59-CM)						

D-ORDER BY THE METER
 E-ORDER BY THE CENTIMETER
 I-REFER TO HYDRAULIC INFORMATION SYSTEM
 M-METRIC PART

FUEL SYSTEM

150-4279 PUMP & MTG GP-FUEL TRANSFER

S/N: LHX1-UP

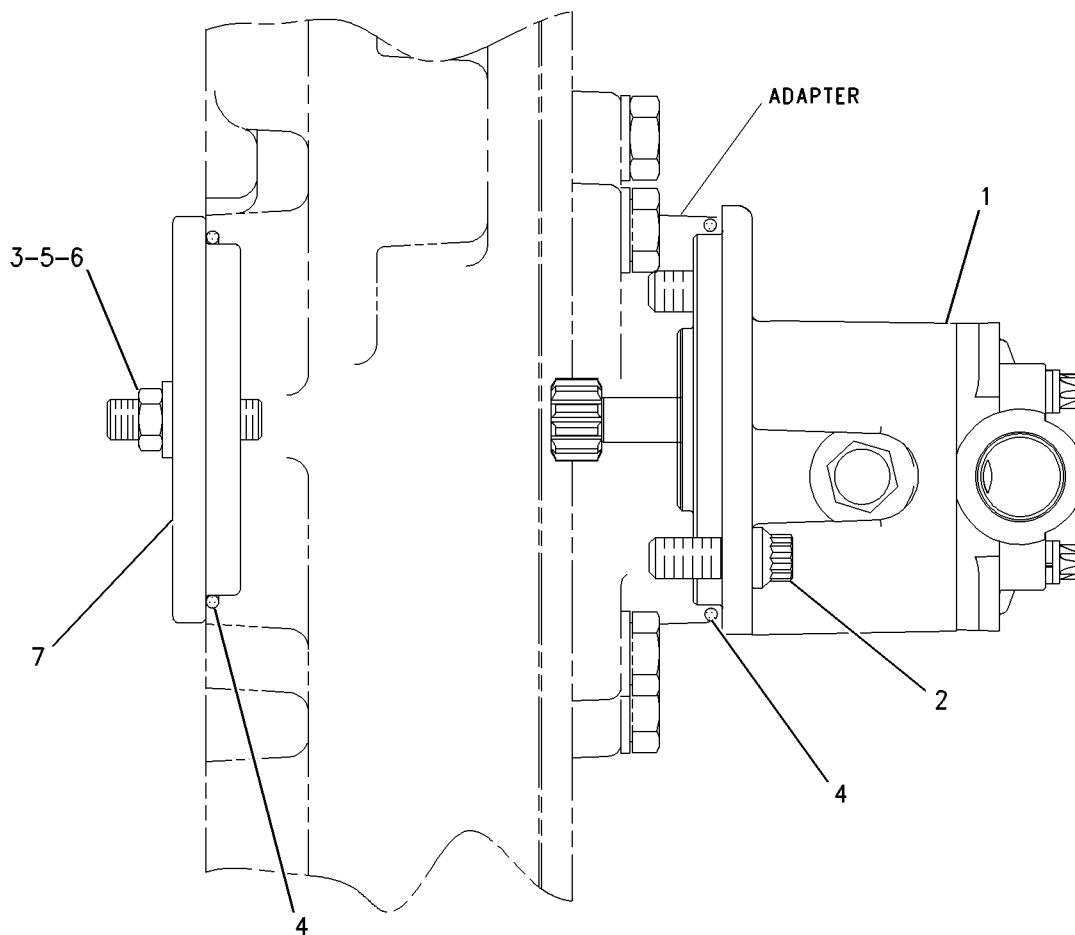
ALLOWS USE OF FRONT MOUNTED PUMP,
EXCEPT WHEN LEFT HAND ALTERNATOR MOUNTING GROUP IS PROVIDED
PART OF 225-0097, 237-9123 ENGINE AR-COMPLETE
ALSO AN ATTACHMENT

SMCS-1256

i02835967

NOTE	REF NO	GRAPHIC REF	PART NUMBER	QTY	PART NAME						SEE PAGE
					1	2	3	4	5	6 (PRODUCT LEVEL)	
C	1	1	316-6864	1	PUMP GP-FUEL TRANSFER						
	2	1	1T-0765	2	BOLT (3/8-16X1-IN)						
	3	1	5M-2894	2	WASHER-HARD (10.2X18.5X2.5-MM THK)						
	4	1	107-5769	2	SEAL-O-RING						
	5	1	0S-0699	2	STUD						
	6	1	9S-8752	2	NUT-FULL (3/8-16-THD)						
	7	1	133-9116	1	COVER						

C-CHANGE FROM PREVIOUS TYPE



LEFT SIDE VIEW

GRAPHIC #1

<END>

g00762253

FUEL SYSTEM

281-2725 VALVE GP-CHECK-FUEL

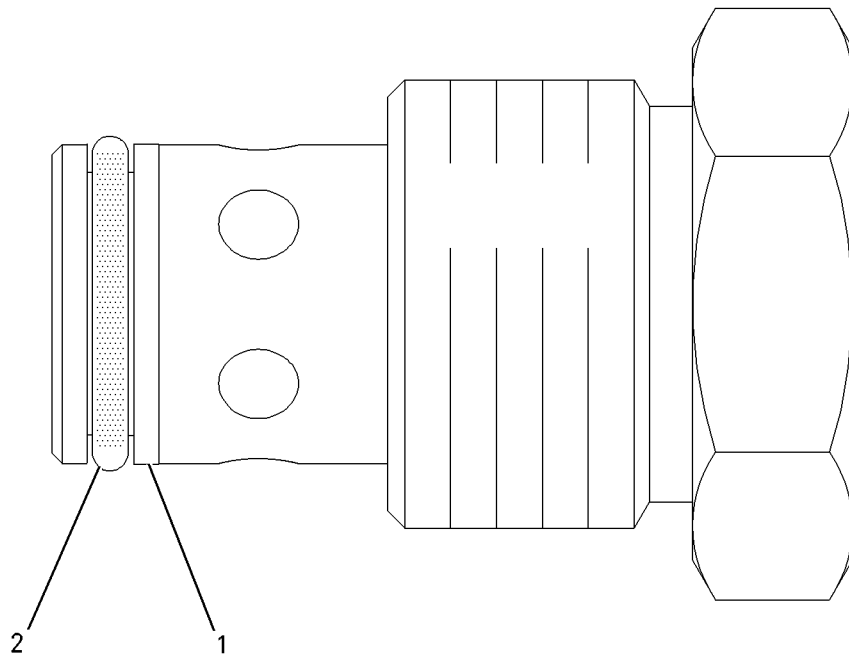
S/N: LHX1-UP

PART OF 233-6742 VALVE GP-CHECK
ALSO AN ATTACHMENT

SMCS-1262

i02448132

NOTE	REF NO	GRAPHIC REF	PART NUMBER	QTY	PART NAME						SEE PAGE
					1	2	3	4	5	6 (PRODUCT LEVEL)	
	1	1	6V-6923	1	RING-BACKUP						
	2	1	033-6033	1	SEAL-O-RING						



GRAPHIC #1

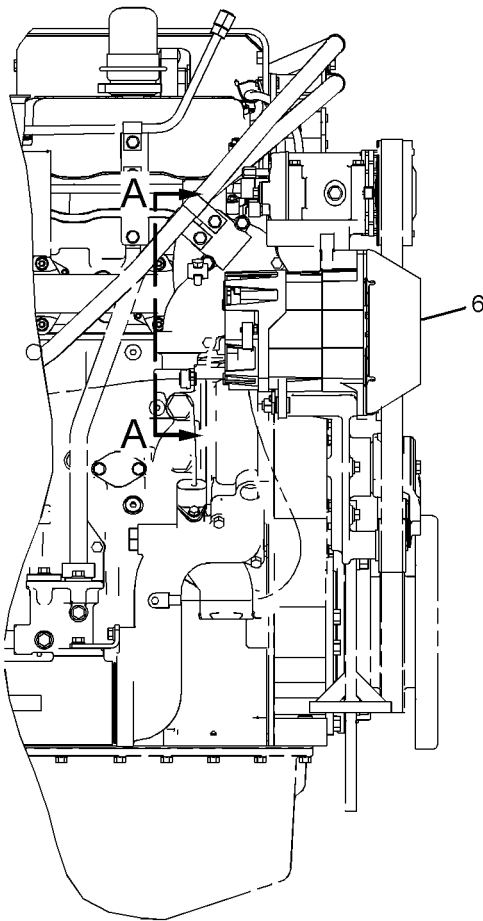
<END>

g00864141

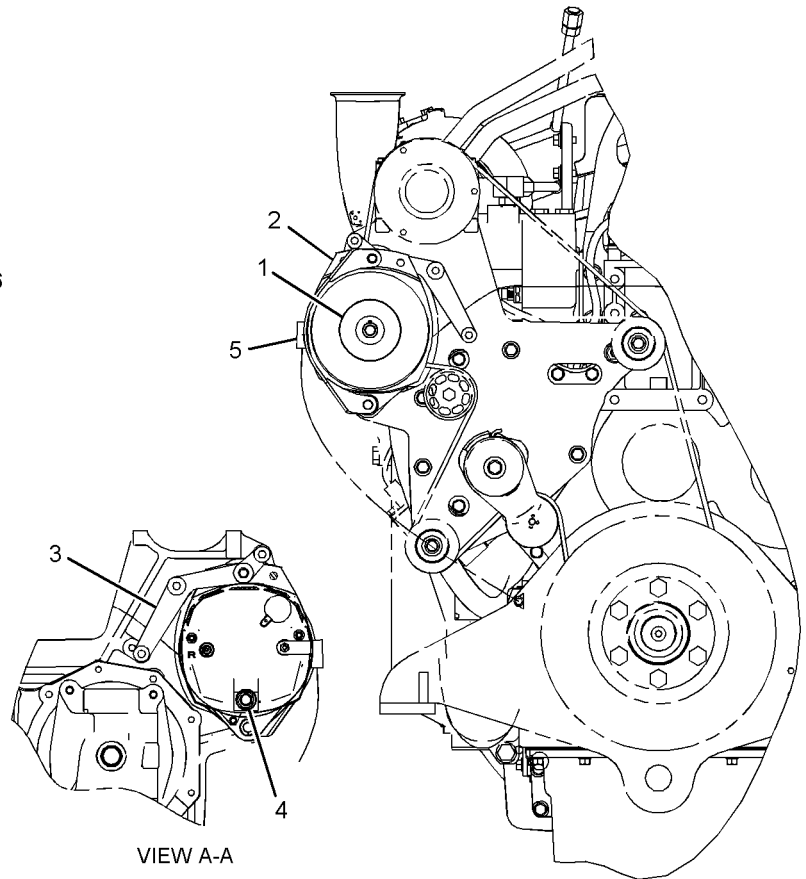
ELECTRICAL AND STARTING SYSTEM

239-5777 ALTERNATOR GP-CHARGING (contd.)

i02243715



RIGHT SIDE VIEW



VIEW A-A

FRONT VIEW

GRAPHIC #1

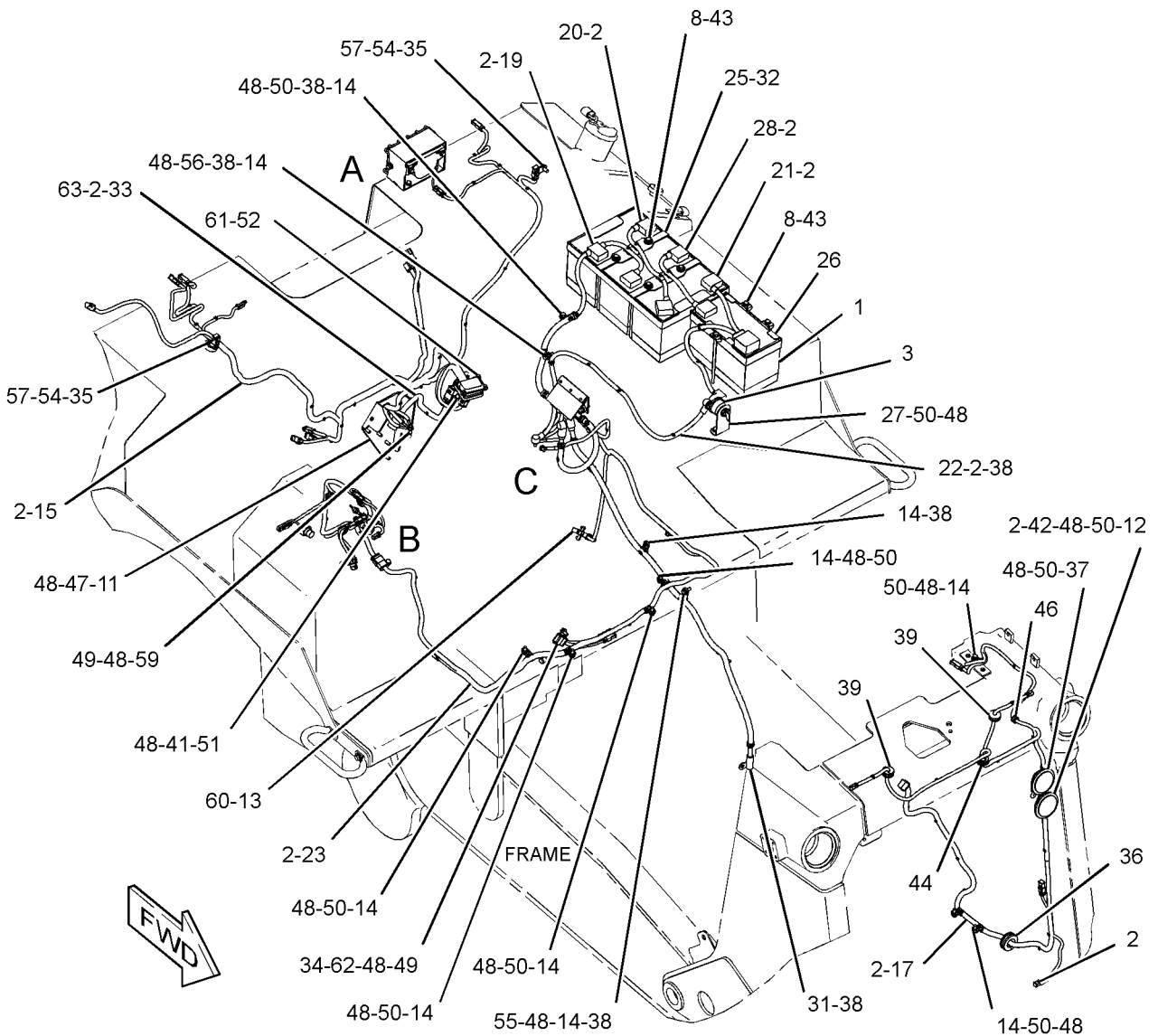
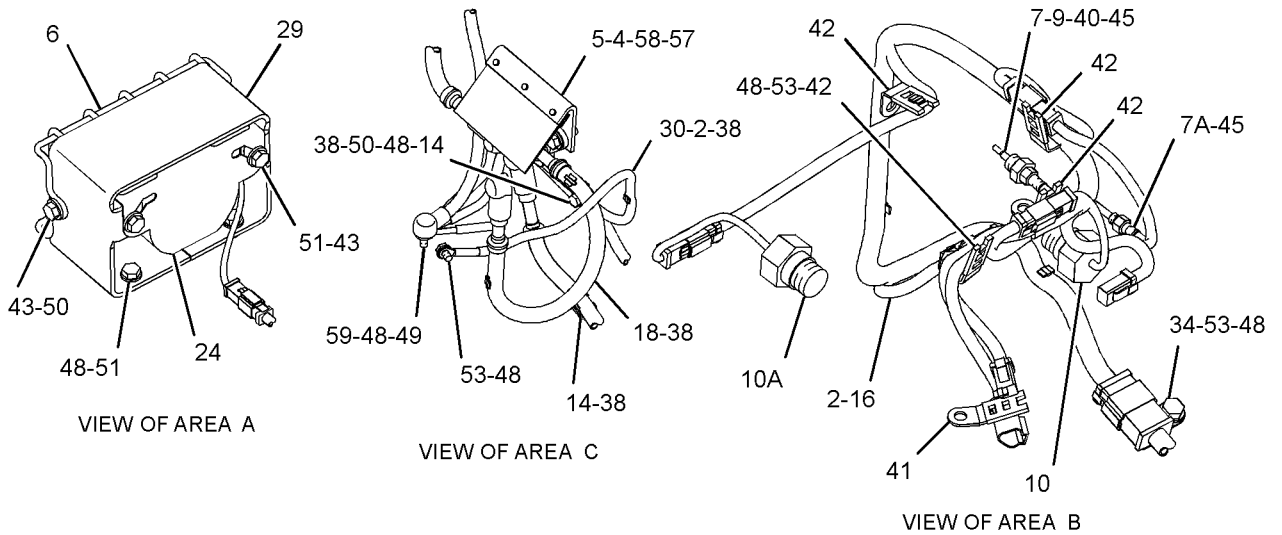
<END>

g01111903

ELECTRICAL AND STARTING SYSTEM

209-7732 BATTERY & WIRING GP (contd.)

i03205672



GRAPHIC #1

<END>

g01407912

ELECTRICAL AND STARTING SYSTEM

242-7205 CONTROL GP-COMMUNICATION-PRODUCT LINK 201

S/N: J8B1-UP

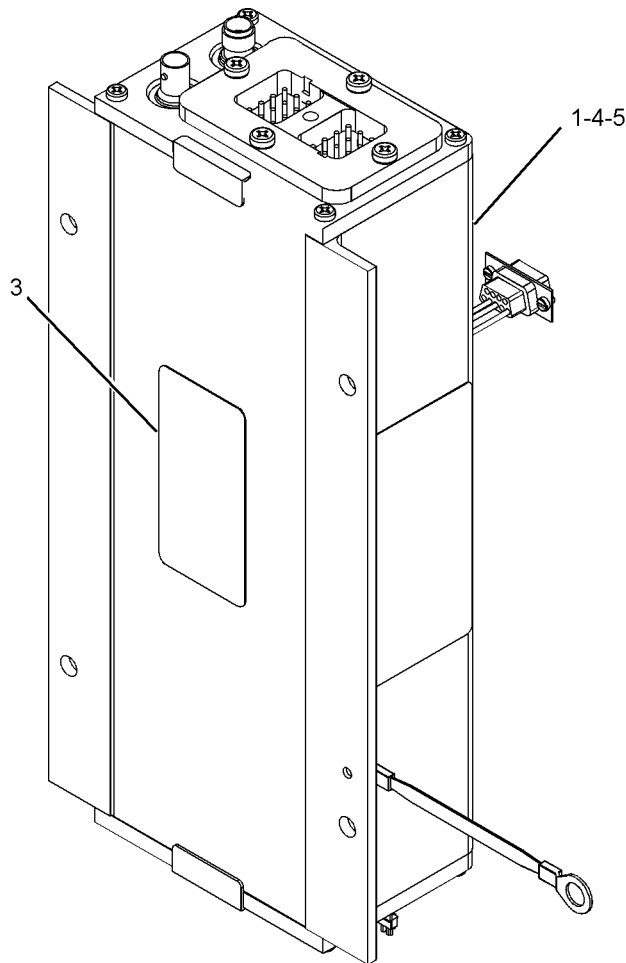
PART OF 217-3063 INSTALLATION GP-COMMUNICATION
 FIELD REPLACEMENT ORDER 273-5723-PAGE 264, 273-5725-PAGE 264
 AN ATTACHMENT

SMCS-7610, 7620

i02851857

NOTE	REF NO	GRAPHIC REF	PART NUMBER	QTY	PART NAME						SEE PAGE
					1	2	3	4	5	6 (PRODUCT LEVEL)	
Y	1	1	168-7314	1	CONTROL GP-UNPROGRAMMED (PRODUCT LINK 201)						248
	3	1	231-1403	1	FILM-INFORMATION (PRODUCT LINK)						
	4	1	254-9114	1	SOFTWARE GP-COMMUNICATION (PRODUCT LINK)						
	5	1	254-9115	1	SOFTWARE GP-MONITOR (PRODUCT LINK)						
FJ			230-1340	1	FILM-WARNING (PRODUCT LINK RADIO, U.S.)						
FJ			230-1341	1	FILM-WARNING (PRODUCT LINK RADIO, INTL)						

F-NOT SHOWN
 J-SHIPPED LOOSE IN PACKAGE
 Y-SEPARATE ILLUSTRATION



GRAPHIC #1

<END>

g01069139

ELECTRICAL AND STARTING SYSTEM

251-5810 GRADE CONTROL AR

S/N: J8B1-UP
AN ATTACHMENT

SMCS-7220

i03414040

NOTE	PART NUMBER	QTY	PART NAME						SEE PAGE
			1	2	3	4	5	6 (PRODUCT LEVEL)	
Y	247-0747	1	CONTROL GP-JOYSTICK (BULLDOZER)						1064
			S/N: J8B1-703						
Y	242-6209	1	CONTROL GP-JOYSTICK (BULLDOZER)						1063
			S/N: J8B704-999						
Y	327-3550	1	CONTROL GP-JOYSTICK (BULLDOZER)						1071
			S/N: J8B1000-UP						
Y	237-9140	1	MOUNTING GP-ANTENNA (GRADE CONTROL)						1143
Y	246-5959	1	MOUNTING GP-CONNECTOR (GRADE CONTROL)						320
			S/N: J8B1-999						
Y	316-9825	1	MOUNTING GP-CONNECTOR (GRADE CONTROL)						321
			S/N: J8B1000-UP						
Y	241-7920	1	MOUNTING GP-MONITOR (KIT)						1150
			S/N: J8B1-999						
Y	282-8250	1	MOUNTING GP-MONITOR (KIT)						1151
			S/N: J8B1000-UP						
Y	250-0874	1	WIRING GP-GRADE CONTROL						395
			261-4284 1 CONFIGURATION-PREMIUM						
			S/N: J8B1-999						
			(DLR INSTALL CONFIG: SEE IRM: EES03-01)						
			252-5109 1 CONSOLE-FRONT						
			S/N: J8B1-999						
			282-8252 1 CONSOLE-FRONT						
			S/N: J8B1000-UP						
			245-7725 1 FILM-IDENTIFICATION (JOYSTICK)						
			(GRADE CONTROL)						
			S/N: J8B1-999						
			(ON LOWER RH CONSOLE)						
			297-0693 1 FILM-IDENTIFICATION (JOYSTICK)						
			(GRADE CONTROL)						
			S/N: J8B1000-UP						
			(ON LOWER RH CONSOLE)						
Y-SEPARATE ILLUSTRATION									
<END>									

292-0293 GRADE CONTROL AR-LASER-ACCUGRADE, SINGLE

S/N: J8B1-UP
FIELD INSTALLATION

SMCS-7220

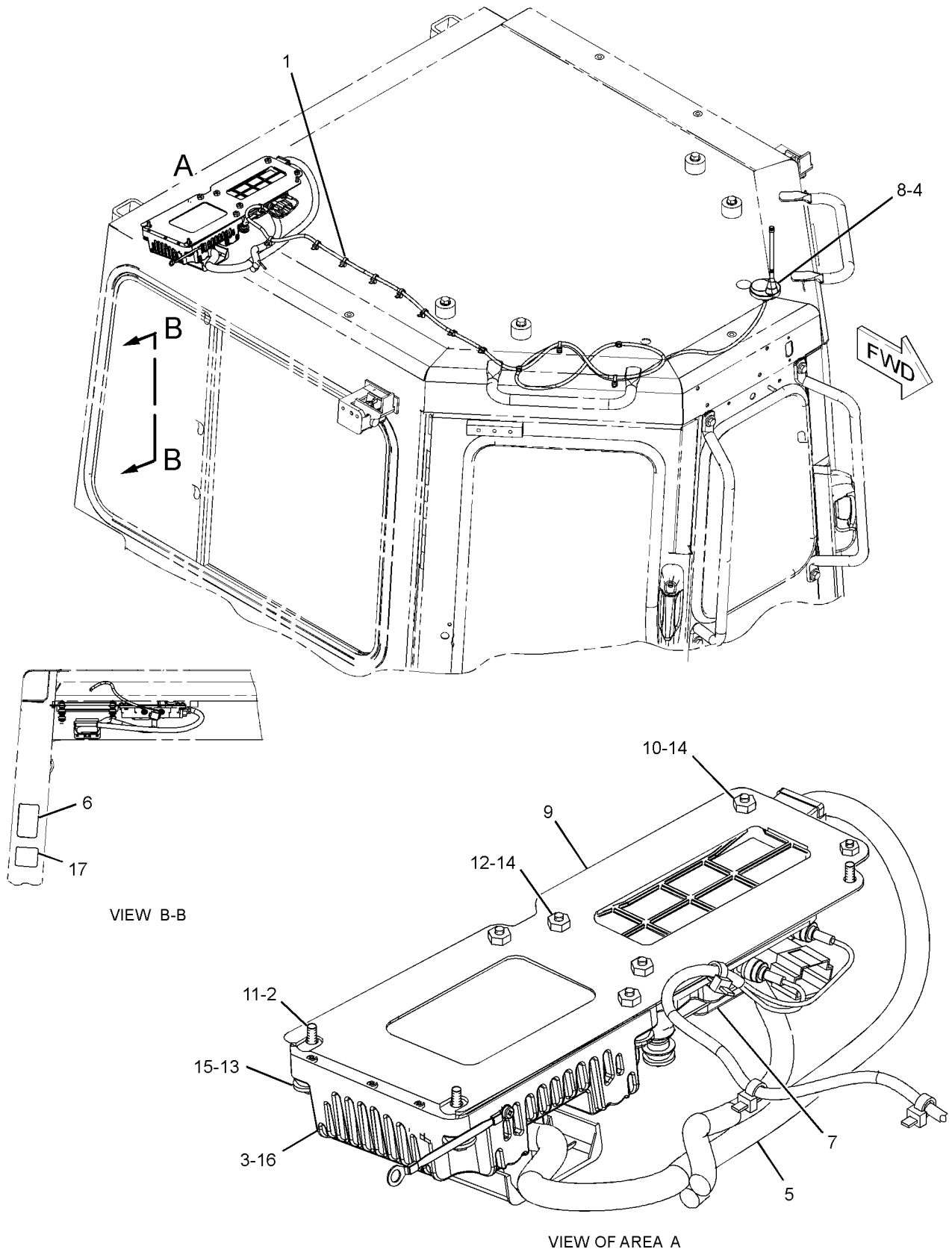
i02987725

NOTE	PART NUMBER	QTY	PART NAME						SEE PAGE
			1	2	3	4	5	6 (PRODUCT LEVEL)	
Y	292-0309	1	DISPLAY GP-MONITOR (CD610)						1083
Y	292-0281	1	MAST GP (LASER RECEIVER)						319
Y	239-9950	1	RECEIVER GP-LASER (SINGLE)						331
Y-SEPARATE ILLUSTRATION									
<END>									

ELECTRICAL AND STARTING SYSTEM

255-4206 INSTALLATION GP-COMMUNICATION (contd.)

i03022812



GRAPHIC #1

<END>

g01423447

ELECTRICAL AND STARTING SYSTEM

125-2001 LIGHTING GP-FLOOD

S/N: J8B1-UP

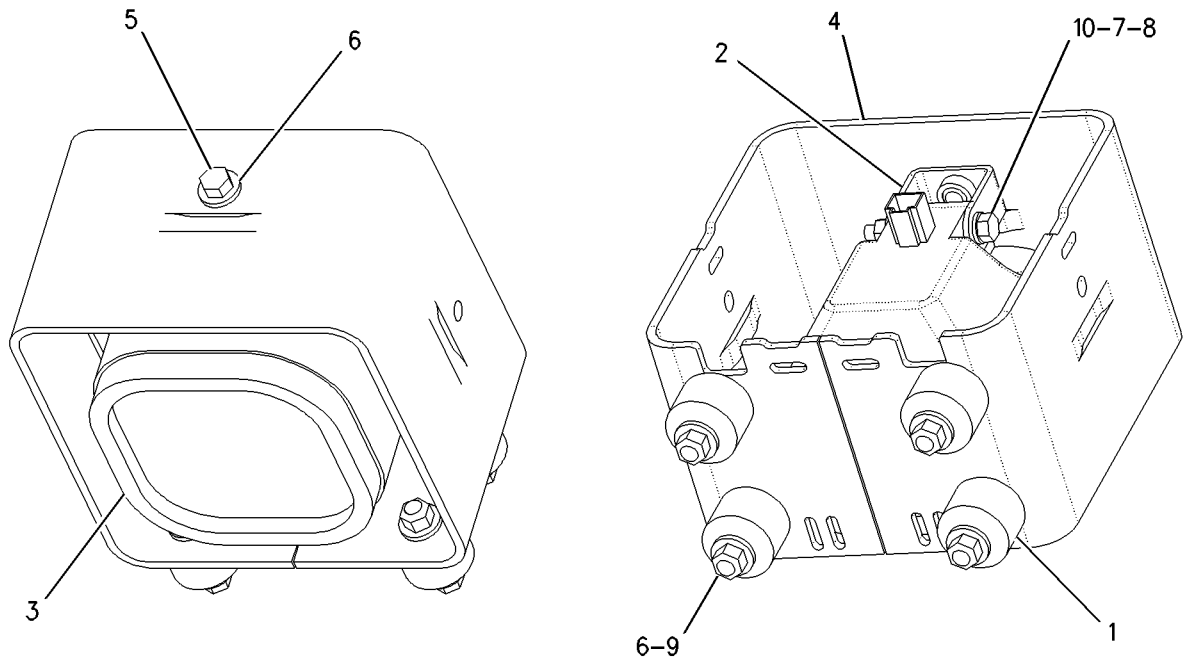
PART OF 218-2995, 218-2997, 235-3417 LIGHTING GP-FLOOD
AN ATTACHMENT

SMCS-1434

i01714240

NOTE	REF NO	GRAPHIC REF	PART NUMBER	QTY	PART NAME						SEE PAGE
					1	2	3	4	5	6 (PRODUCT LEVEL)	
	1	1	9W-4361	4	MOUNT-FLEXIBLE						
	2	1	111-8314	1	BRACKET AS						
		1	1F-0750	1	NUT-WELD (3/8-16-THD)						
	3	1	167-1884	1	GUARD						
Y	4	1	147-0319	1	LAMP GP-FLOOD (24-VOLT, 65-WATT)						267
	5	1	5M-3062	1	BOLT (3/8-16X0.75-IN)						
	6	1	5P-1075	9	WASHER-HARD (10.2X22.5X3-MM THK)						
	7	1	5P-2955	1	BOLT (5/16-18X2.5-IN)						
	8	1	6V-8189	1	NUT (5/16-18-THD)						
	9	1	6V-8801	8	NUT (3/8-16-THD)						
	10	1	8T-4224	2	WASHER-HARD (8.8X16X2-MM THK)						

Y-SEPARATE ILLUSTRATION



GRAPHIC #1

<END>

g00887298

ELECTRICAL AND STARTING SYSTEM

218-2996 LIGHTING GP-FLOOD- CYL, ENG COMP, FUEL TANK, ROPS

S/N: J8B1-UP

WASTE DISPOSAL

CANNOT BE USED WITH 213-1303-PAGE 593

AN ATTACHMENT

TYPE 2

SMCS-1434

i03414222

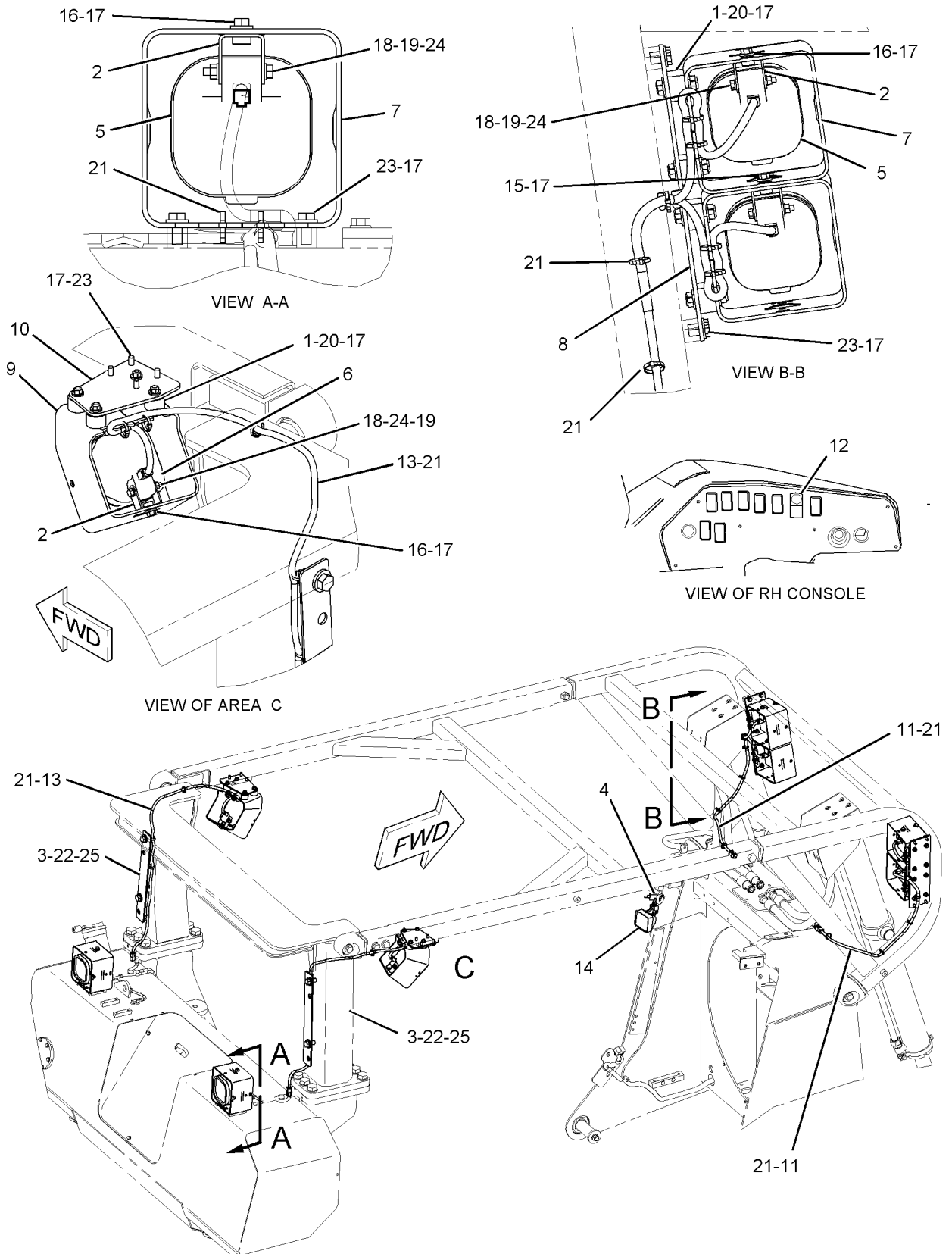
NOTE	REF NO	GRAPHIC REF	PART NUMBER	QTY	PART NAME						SEE PAGE
					1	2	3	4	5	6 (PRODUCT LEVEL)	
	1	1	111-8314	2	BRACKET AS						
	2	1	115-1024	1	BRACKET AS (RH)						
	3	1	115-1025	1	BRACKET AS (LH)						
	4	1	115-1027	2	BRACKET						
	5	1	129-8331	2	PLATE AS						
	6	1	130-3232	1	PLATE (RH)						
	7	1	130-3233	1	PLATE (LH)						
	8	1	139-2116	1	SWITCH AS-TOGGLE (ENGINE SERVICE FLOOD LAMP)						
		1	6T-3631	2	NUT-HEX (15/32-32-THD)						
		1	6T-3632	1	LOCKWASHER						
		1	6T-3633	1	RING-LOCKING						
		1	186-3735	3	PIN-CONNECTOR (16-GA TO 18-GA)						
		1	102-8803	1	KIT-RECEPTACLE (3-PIN)						
					(INCLUDES RECEPTACLE AS & WEDGE)						
Y	9	1	147-0319	2	LAMP GP-FLOOD (24-VOLT, 65-WATT) (FUEL TANK, REAR FACING)						267
Y	10	1	152-8427	2	LIGHTING GP-FLOOD (24-VOLT, 65-WATT) (ROPS MOUNTED)						274
Y	10A	1	152-8427	2	LIGHTING GP-FLOOD (24-VOLT, 65-WATT) (CYLINDER MOUNTED)						274
	11	1	167-1884	2	GUARD						
	12	1	246-5625	1	SWITCH AS-ROCKER (FRONT FLOODLIGHTS)						
	13	1	246-5626	1	SWITCH AS-ROCKER (REAR FLOODLIGHTS)						
CY	15	1	254-8155	1	LAMP GP-FLOOD (24-VOLT, 65-WATT) (ENGINE COMPARTMENT)						271
C	16	1	321-8597	2	HARNESS AS-LIGHTING (FRONT)						
	17	1	237-2455	2	HARNESS AS-LIGHTING (REAR)						
	18	1	4P-7581	2	CLIP						
M	20	1	5C-2890	4	NUT (M6X1-THD)						
	21	1	5M-3062	2	BOLT (3/8-16X0.75-IN)						
C	22	1	5P-1075	52	WASHER-HARD (10.2X22.5X3-MM THK)						
	23	1	5P-2955	2	BOLT (5/16-18X2.5-IN)						
	24	1	5P-8522	4	GROMMET						
	25	1	5S-7379	4	BOLT (3/8-16X0.875-IN)						
	26	1	6H-4005	2	GROMMET						
	27	1	6K-4934	4	CLIP (SLOT)						
	28	1	6K-4935	4	CLIP (TAB)						
	29	1	6V-8189	2	NUT (5/16-18-THD)						
C	30	1	7K-1181	36	STRAP-CABLE						
M	31	1	7X-2563	2	BOLT (M20X2.5X60-MM)						
	32	1	8T-4123	6	WASHER (22X35X3.5-MM THK)						
M	33	1	8T-4133	18	NUT (M10X1.5-THD)						
CM	34	1	8T-4136	28	BOLT (M10X1.5X25-MM)						
M	35	1	8T-4138	4	BOLT (M6X1X20-MM)						
	36	1	8T-4224	4	WASHER-HARD (8.8X16X2-MM THK)						
M	37	1	8T-5460	4	BOLT (M20X2.5X40-MM)						
	38	1	9X-8256	8	WASHER (6.6X12X2-MM THK)						
C	39	1	132-5789	6	CLIP						
C	40	1	6V-1889	6	CLIP						

C-CHANGE FROM PREVIOUS TYPE
M-METRIC PART
Y-SEPARATE ILLUSTRATION

ELECTRICAL AND STARTING SYSTEM

218-2998 LIGHTING GP-FLOOD (contd.)

i03414362



GRAPHIC #1

<END>

g01110994

CLICK HERE TO **DOWNLOAD** THE COMPLETE MANUAL

- Thank you very much for reading the preview of the manual.
- You can download the complete manual from: www.heydownloads.com by clicking the link below



- Please note: If there is no response to CLICKING the link, please download this PDF first and then click on it.

CLICK HERE TO **DOWNLOAD** THE COMPLETE MANUAL

ELECTRICAL AND STARTING SYSTEM

236-5468 LIGHTING GP-FLOOD (contd.)

i02243142

NOTE	REF NO	GRAPHIC REF	PART NUMBER	QTY	PART NAME						SEE PAGE
					1	2	3	4	5	6 (PRODUCT LEVEL)	
	31	1	6K-4935	4	CLIP (TAB)						
	32	1	6V-8189	1	NUT (5/16-18-THD)						
	33	1	6V-8801	16	NUT (3/8-16-THD)						
	34	1	7K-1181	36	STRAP-CABLE						
M	35	1	7X-2563	2	BOLT (M20X2.5X60-MM)						
	36	1	8T-4123	6	WASHER (22X35X3.5-MM THK)						
M	37	1	8T-4133	18	NUT (M10X1.5-THD)						
M	38	1	8T-4136	26	BOLT (M10X1.5X25-MM)						
M	39	1	8T-4138	4	BOLT (M6X1X20-MM)						
M	40	1	8T-4139	3	BOLT (M12X1.75X30-MM)						
	41	1	8T-4224	2	WASHER-HARD (8.8X16X2-MM THK)						
M	42	1	8T-5460	4	BOLT (M20X2.5X40-MM)						
	43	1	9X-8256	8	WASHER (6.6X12X2-MM THK)						

M-METRIC PART
Y-SEPARATE ILLUSTRATION

ELECTRICAL AND STARTING SYSTEM

218-2994 LIGHTING GP-RIPPER

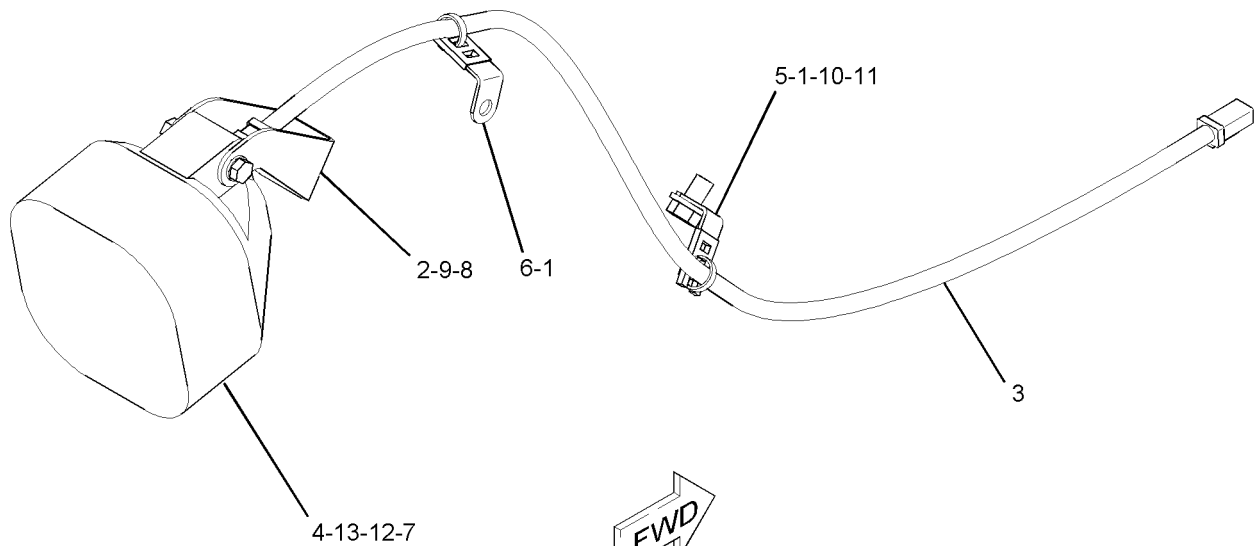
S/N: J8B1-UP
AN ATTACHMENT

SMCS-1429

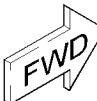
i02246602

NOTE	REF NO	GRAPHIC REF	PART NUMBER	QTY	PART NAME						SEE PAGE
					1	2	3	4	5	6 (PRODUCT LEVEL)	
	1	1	9X-6772	2	STRAP-CABLE						
	2	1	164-8101	1	BRACKET						
	3	1	230-4086	1	HARNESS AS-LIGHTING (RIPPER)						
		1	155-2270	2	KIT-CONNECTING PLUG (2-PIN) (EACH INCLUDES PLUG AS & WEDGE)						
Y	4	1	147-0319	1	LAMP GP-FLOOD (24-VOLT, 65-WATT) (RIPPER)						267
	5	1	4P-7429	1	CLIP						
	6	1	4P-8134	1	CLIP						
M	7	1	5C-7261	1	NUT (M8X1.25-THD)						
	8	1	8T-4121	1	WASHER-HARD (11X21X2.5-MM THK)						
M	9	1	8T-4137	1	BOLT (M10X1.5X20-MM)						
M	10	1	8T-4179	1	BOLT (M12X1.75X20-MM)						
	11	1	8T-4223	1	WASHER-HARD (13.5X25.5X3-MM THK)						
	12	1	8T-4224	2	WASHER-HARD (8.8X16X2-MM THK)						
M	13	1	8T-6869	1	BOLT (M8X1.25X60-MM)						

M-METRIC PART
Y-SEPARATE ILLUSTRATION



GRAPHIC #1


 <END>

g01021809

ELECTRICAL AND STARTING SYSTEM

234-9970 MOUNTING GP-RECEIVER-MAST

S/N: J8B1-UP

PART OF 292-0281 MAST GP

SMCS-7009, 7010

i02649980

NOTE	REF NO	GRAPHIC REF	PART NUMBER	QTY	PART NAME						SEE PAGE
					1	2	3	4	5	6 (PRODUCT LEVEL)	
	1	2	253-8967	1	ROD- THREADED						
	2	2	253-8969	1	BRACKET						
	3	2	237-4132	4	MOUNT- FLEXIBLE						
	4	1	237-4133	2	GASKET						
	5	1	237-4134	1	CLAMP						
	6	1	237-4135	1	MOUNT- FLEXIBLE						
	7	2	237-7252	1	BOLT (3/4-16X1.25- IN)						
	8	2	3B-4508	4	LOCKWASHER						
	9	2	3B-4512	1	LOCKWASHER						
	10	2	4M-6425	2	BOLT (5/16-18X1- IN)						
	11	2	5W-1437	2	LOCKWASHER						
	12	2	8T-9383	2	BOLT (1/2-13X0.75- IN)						
	13	2	9B-0453	2	LOCKWASHER						
	14	2	253-8981	4	ROD- THREADED						
	15	2	6V-8188	6	NUT (1/2-13- THD)						

ELECTRICAL AND STARTING SYSTEM

300-2118 RECEIVER GP-SATELLITE-
ACCUGRADE, UPGRADE FROM GPS TO GNSS
S/N: J8B1-UP
FIELD INSTALLATION

SMCS-7010

i02859686

NOTE	PART NUMBER	QTY	PART NAME						SEE PAGE
			1	2	3	4	5	6 (PRODUCT LEVEL)	
	291-1913	1	RECEIVER AS-SATELLITE (GNSS, MS990)						
<END>									

ELECTRICAL AND STARTING SYSTEM

224-5530 SENSOR GP-POSITION

S/N: J8B1-UP

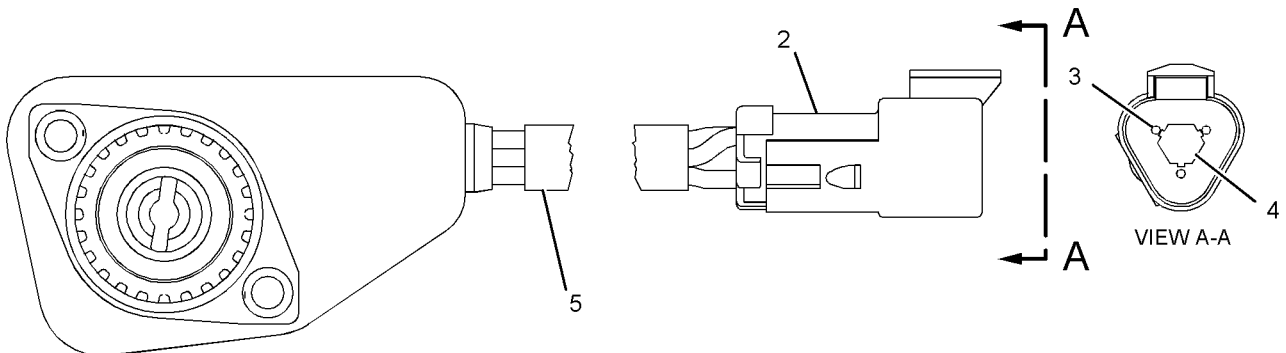
PART OF 263-3318 CONTROL & MTG GP-PEDAL, 231-7314 PEDAL GP-GOVERNOR & BRAKE
ALSO AN ATTACHMENT

SMCS-1905, 1911, 430S

i02239742

NOTE	REF NO	GRAPHIC REF	PART NUMBER	QTY	PART NAME						SEE PAGE
					1	2	3	4	5	6 (PRODUCT LEVEL)	
	2	1	102-8803	1	KIT-RECEPTACLE (3-PIN)						
					(INCLUDES RECEPTACLE AS & WEDGE)						
	3	1	186-3735	3	PIN-CONNECTOR (16-GA TO 18-GA)						
	4	1	3E-3371	1	WEDGE-RECEPTACLE LOCK (3-PIN)						
E	5	1	9X-1813		SLEEVE (13-CM)						

E-ORDER BY THE CENTIMETER



GRAPHIC #1

<END>

g01107385

ELECTRICAL AND STARTING SYSTEM

239-2396 SENSOR GP-PRESSURE

S/N: LHX1-UP

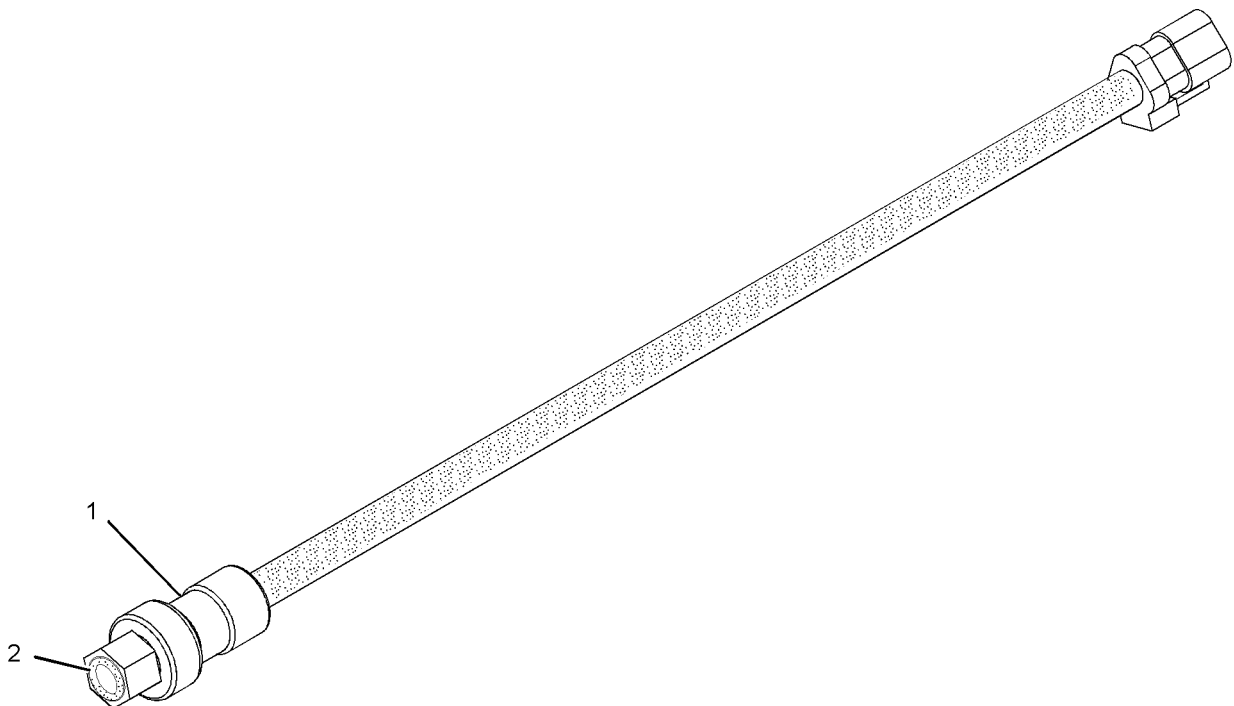
PART OF 231-1973 SENSOR GP-ENGINE
ALSO AN ATTACHMENT

SMCS-1718, 1916, 1917, 1923, 1924, 1925

i03435120

NOTE	REF NO	GRAPHIC REF	PART NUMBER	QTY	PART NAME						SEE PAGE
					1	2	3	4	5	6 (PRODUCT LEVEL)	
Y	1	1	194-6725	1	SENSOR GP-PRESSURE						349
	2	1	6V-5048	1	SEAL-O-RING						

Y-SEPARATE ILLUSTRATION



GRAPHIC #1

<END>

g01019323

ELECTRICAL AND STARTING SYSTEM

197-8392 SENSOR GP-TEMPERATURE

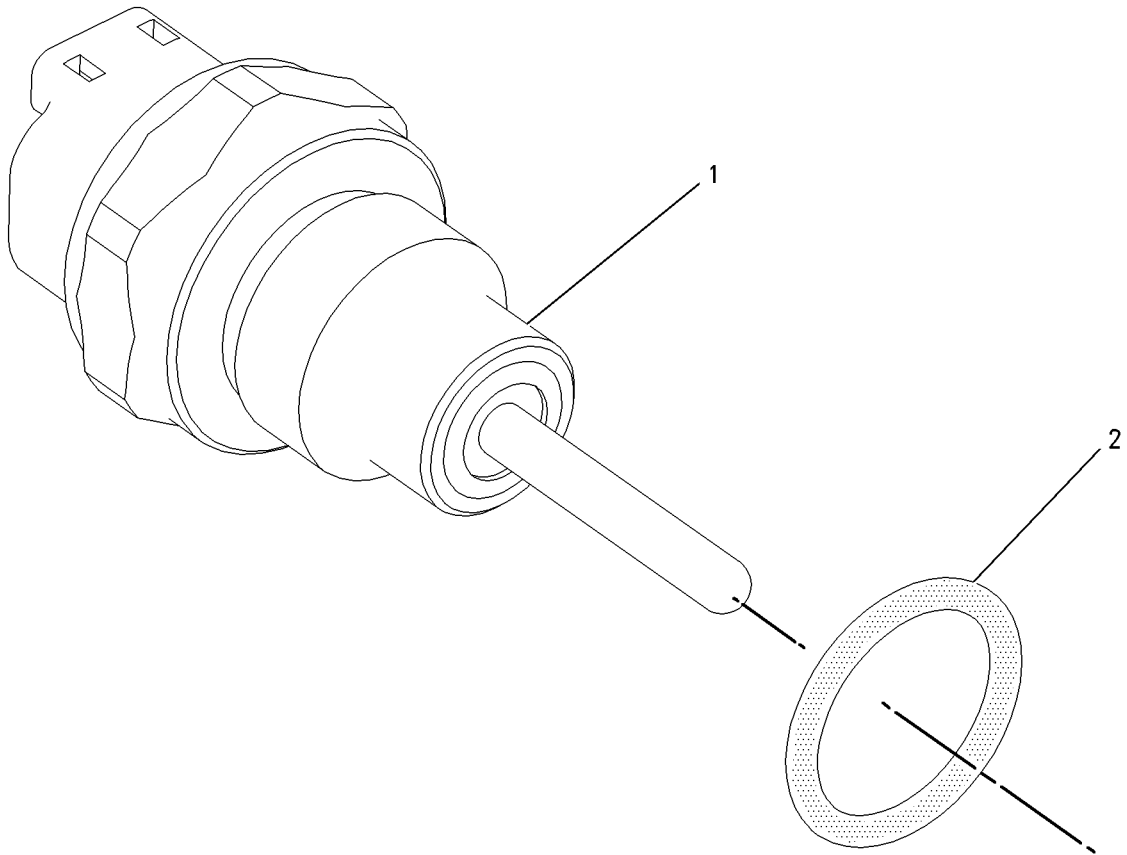
S/N: LHX1-UP

PART OF 231-1973 SENSOR GP-ENGINE
ALSO AN ATTACHMENT

SMCS-1906, 1919, 1921, 1922, 1928, 1929

i02203395

NOTE	REF NO	GRAPHIC REF	PART NUMBER	QTY	PART NAME						SEE PAGE
					1	2	3	4	5	6 (PRODUCT LEVEL)	
	1	1	130-9811	1	SENSOR GP-TEMPERATURE						
	2	1	6V-6609	1	SEAL-O-RING						



GRAPHIC #1

<END>

g00856005

ELECTRICAL AND STARTING SYSTEM

7N-0718 SWITCH GP-DISCONNECT-BATTERY

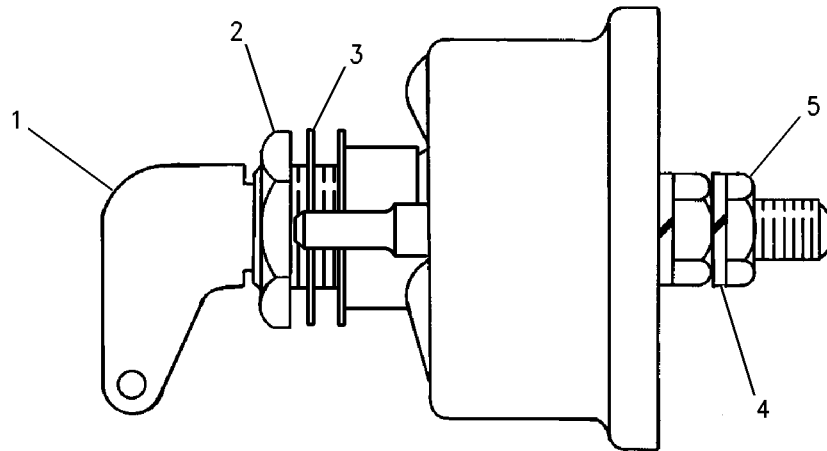
S/N: J8B1-UP

PART OF 209-7732 BATTERY & WIRING GP

SMCS-1411

i02587657

NOTE	REF NO	GRAPHIC REF	PART NUMBER	QTY	PART NAME						SEE PAGE
					1	2	3	4	5	6 (PRODUCT LEVEL)	
	1	1	8H-5306	1	KEY (BATTERY DISCONNECT)						
	2	1	8H-5303	1	NUT (3/4-16-THD)						
	3	1	2H-3922	2	LOCKWASHER						
	4	1	9F-5644	2	LOCKWASHER						
	5	1	6F-7045	2	NUT-FULL (3/8-24-THD)						



GRAPHIC #1

<END>

g00715584

ELECTRICAL AND STARTING SYSTEM

239-1134 VALVE GP-ETHER STARTING

S/N: J8B1-UP

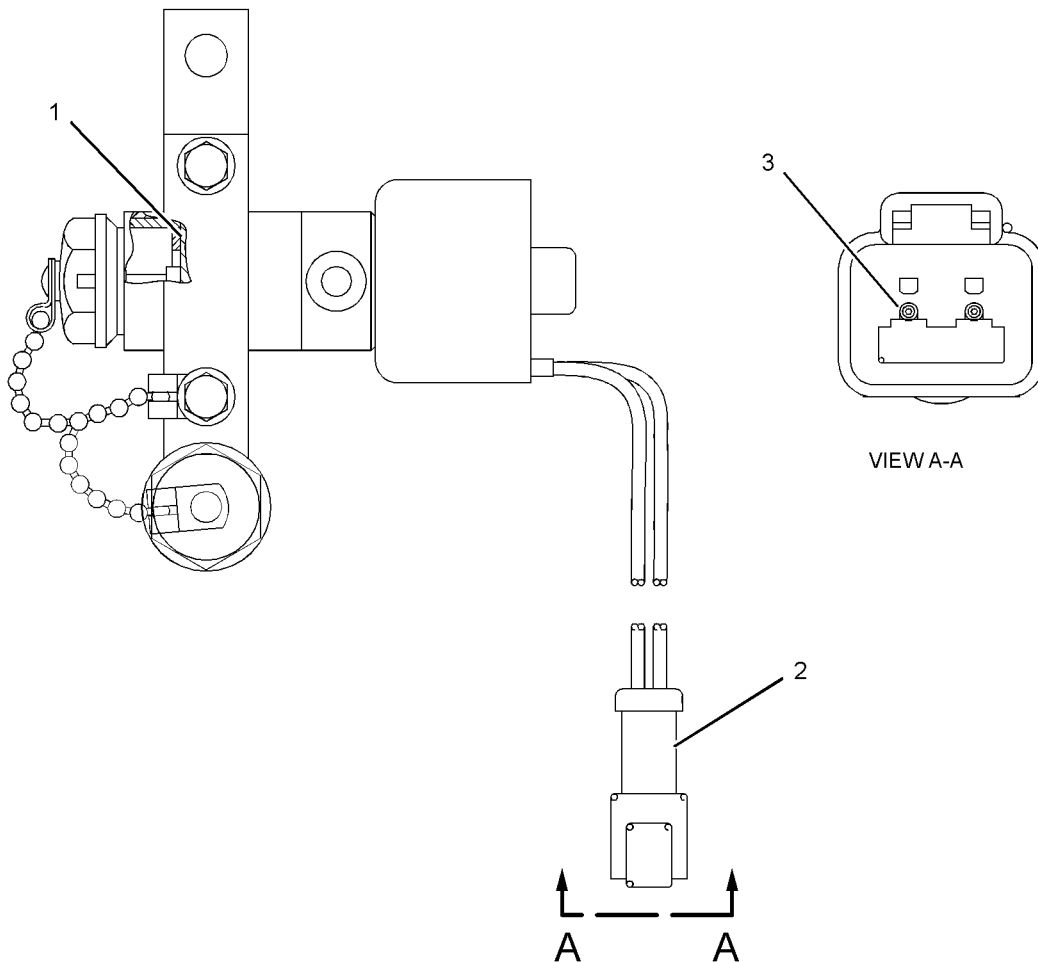
24-VOLT

PART OF 209-8389 STARTING AID GP-ETHER

SMCS-1456

i03435882

NOTE	REF NO	GRAPHIC REF	PART NUMBER	QTY	PART NAME						SEE PAGE
					1	2	3	4	5	6 (PRODUCT LEVEL)	
	1	1	7N-9801	1	GASKET						
	2	1	102-8802	1	KIT-RECEPTACLE (2-PIN) (INCLUDES RECEPTACLE AS & WEDGE)						
	3	1	186-3735	2	PIN-CONNECTOR (16-GA TO 18-GA)						



GRAPHIC #1

<END>

g01375620

ELECTRICAL AND STARTING SYSTEM

220-6384 WIRING GP-ENGINE (contd.)

i03418262

NOTE	REF NO	GRAPHIC REF	PART NUMBER	QTY	PART NAME						SEE PAGE
					1	2	3	4	5	6 (PRODUCT LEVEL)	
	17	1	265-6978	1	BRACKET AS						
	18	1	265-6979	1	BRACKET AS						
	19	1	0S-1573	2	BOLT (1/2-13X4-IN)						
	20	1	0S-1594	2	BOLT (3/8-16X1-IN)						
	21	1	0S-1619	2	BOLT (3/8-16X3-IN)						
	22	1	104-6202	1	CLIP (LADDER)						
	23	1	130-5300	2	CLIP						
	24	1	132-5789	1	CLIP (LADDER)						
	25	1	1D-4706	2	BOLT (3/8-16X6-IN)						
	26	1	1J-9671	1	SEAL-O-RING						
	27	1	1K-4649	1	SPACER (0.516X1X1-IN THK)						
	28	1	1V-7753	2	SPACER (0.546X0.841X1.75-IN THK)						
M	29	1	231-0336	1	STUD-TAPERLOCK (M10X1.5X70-MM)						
	30	1	102-8802	1	KIT-RECEPTACLE (2-PIN)						
					(INCLUDES RECEPTACLE AS & WEDGE)						
	31	1	3J-1907	1	SEAL-O-RING						
	32	1	3J-7354	1	SEAL-O-RING						
	33	1	4P-7428	3	CLIP (LADDER)						
	34	1	4P-7581	2	CLIP (LADDER)						
	35	1	4P-7582	1	CLIP (LADDER)						
	36	1	4P-8134	5	CLIP (LADDER)						
	37	1	5M-2894	2	WASHER-HARD (10.2X18.5X2.5-MM THK)						
	38	1	5P-8245	2	WASHER-HARD (13.5X25.5X3-MM THK)						
	39	1	6D-4247	2	CLIP						
	40	1	6V-5839	2	WASHER (11X21X2.5-MM THK)						
	41	1	7J-0204	1	SEAL-O-RING						
B	42	1	7K-1181	36	STRAP-CABLE						
	43	1	8T-4121	18	WASHER-HARD (11X21X2.5-MM THK)						
M	44	1	8T-4133	2	NUT (M10X1.5-THD)						
M	45	1	8T-4136	14	BOLT (M10X1.5X25-MM)						
M	46	1	8T-4137	1	BOLT (M10X1.5X20-MM)						
M	47	1	8T-4185	1	BOLT (M10X1.5X50-MM)						
M	48	1	8T-4190	2	BOLT (M16X2X25-MM)						
	49	1	8T-4896	2	WASHER-HARD (10.2X18.5X2.5-MM THK)						
M	50	1	8T-7044	1	STUD-TAPERLOCK (M10X1.5X40-MM)						
	51	1	9X-8257	2	WASHER (17.5X30X3.5-MM THK)						
	52	1	5S-0003	1	NUT (5/16-18-THD)						
	53	1	9M-1974	1	WASHER-HARD (8.8X16X2-MM THK)						

B-USE AS REQUIRED
 E-ORDER BY THE CENTIMETER
 M-METRIC PART
 Y-SEPARATE ILLUSTRATION

ELECTRICAL AND STARTING SYSTEM

209-7731 WIRING GP-PLATFORM (contd.)

i02489046

NOTE	REF NO	GRAPHIC REF	PART NUMBER	QTY	PART NAME						SEE PAGE
					1	2	3	4	5	6 (PRODUCT LEVEL)	
		1	102-8801	1	KIT-RECEPTACLE (12-PIN) (EACH INCLUDES RECEPTACLE AS & WEDGE)						
		1	147-1444	1	PLUG AS-CONNECTOR (70-PIN)						
	16	1	216-1319	1	HARNESS AS-DASH						
		1	190-7613	1	RECEPTACLE AS-CONNECTOR (12-PIN)						
		1	214-4208	1	RECEPTACLE AS-CONNECTOR (70-PIN)						
		1	7X-6222	1	PLUG AS-CONNECTOR (24-PIN)						
		1	155-2272	1	PLUG AS-CONNECTOR (4-PIN)						
		1	102-8801	1	KIT-RECEPTACLE (12-PIN) (INCLUDES RECEPTACLE AS & WEDGE)						
		1	155-2255	1	KIT-CONNECTING PLUG (12-PIN)						
		1	155-2257	1	KIT-CONNECTING PLUG (12-PIN)						
		1	155-2274	1	KIT-CONNECTING PLUG (6-PIN)						
		1	155-2260	2	KIT-CONNECTING PLUG (3-PIN)						
		1	155-2270	1	KIT-CONNECTING PLUG (2-PIN) (EACH INCLUDES PLUG AS, WEDGE, & INTERFACE SEAL)						
Y	17	1	223-8176	1	PANEL GP-FUSE (INSTRUMENT PANEL)						327
	18	1	223-8177	1	HARNESS AS-CONSOLE (RH)						
		1	102-8801	1	KIT-RECEPTACLE (12-PIN)						
		1	102-8803	2	KIT-RECEPTACLE (3-PIN)						
		1	102-8804	1	KIT-RECEPTACLE (4-PIN)						
		1	102-8805	1	KIT-RECEPTACLE (6-PIN) (EACH INCLUDES RECEPTACLE AS & WEDGE)						
		1	155-2272	2	PLUG AS-CONNECTOR (4-PIN)						
		1	155-2255	1	KIT-CONNECTING PLUG (12-PIN)						
		1	155-2260	2	KIT-CONNECTING PLUG (3-PIN)						
		1	155-2270	2	KIT-CONNECTING PLUG (2-PIN)						
		1	155-2274	1	KIT-CONNECTING PLUG (6-PIN) (EACH INCLUDES PLUG AS, WEDGE, & INTERFACE SEAL)						
		1	214-4208	1	RECEPTACLE AS-CONNECTOR (70-PIN)						
	19	1	228-6089	8	PLUG (ROCKER SWITCH) (ROCKER SWITCH)						
	20	1	229-0774	1	SWITCH AS-ROCKER (CYLINDER LIGHTS)						
E	21	1	7X-7877		STRIP-EDGING (12-CM)						
R	22	1	262-1408	1	CONTROL GP-UNPROGRAMMED (DRIVE TRAIN)						
R	22A	1	262-1408	1	CONTROL GP-UNPROGRAMMED (IMPLEMENT)						
	23	1	236-9858	1	PLATE						
	24	1	246-4311	1	GUARD (SWITCH)						
	25	1	252-5878	1	MODULE GP-DISPLAY (GAUGE CLUSTER)						
	26	1	260-3178	1	PLATE						
M	27	1	107-3786	4	BOLT (M4X0.7X12-MM)						
	28	1	130-5300	3	CLIP						
M	29	1	131-3540	2	LOCKNUT (M8X1.25-THD)						
	30	1	151-4977	4	WASHER (4.445X9.525X1.092-MM THK)						
	31	1	156-6175	1	CLIP						
	32	1	222-7877	1	SWITCH AS-ROCKER (24-VOLT, SEALED, ILLUMINATED) (THROTTLE)						
	33	1	222-7879	1	SWITCH AS-ROCKER (BI-DIRECTIONAL SHIFT)						
	34	1	222-7880	1	SWITCH AS-ROCKER (AUTO DOWNSHIFT)						
	35	1	222-7883	1	SWITCH AS-ROCKER (IMPLEMENT LOCKOUT)						
	36	1	222-7884	1	SWITCH AS-ROCKER (FENDER LIGHTS)						
	37	1	254-8195	1	CONTROL GP-UNPROGRAMMED (MONITOR)						
	38	1	4P-7581	3	CLIP						
	39	1	4P-8134	8	CLIP						
M	40	1	5C-9553	3	BOLT (M6X1X16-MM)						
B	41	1	7K-1181	34	STRAP-CABLE						
M	42	1	7X-0818	8	BOLT (M8X1.25X45-MM)						
M	43	1	8T-0326	6	BOLT (M5X0.8X25-MM)						
	44	1	8T-0328	6	WASHER-HARD (5.5X10X1-MM THK)						

POWER TRAIN

229-9967 BRAKE & DIFFERENTIAL DRIVE GP

S/N: J8B1-UP

PART OF 206-6781 POWER TRAIN AR

SMCS-4131

i02640992

NOTE	REF NO	GRAPHIC REF	PART NUMBER	QTY	PART NAME						SEE PAGE
					1	2	3	4	5	6 (PRODUCT LEVEL)	
	1	2	2K-5069	1	CUP-BEARING (TAPERED ROLLER)						
	2	1	2K-9295	1	BEARING AS-TAPERED ROLLER						
	3	1	3B-4124	1	CUP-BEARING (TAPERED ROLLER)						
	4	2	3S-2708	7	PIN-SPRING						
	5	2	3T-4568	3	SHAFT-PLANETARY						
	6	2	292-2016	1	GEAR AS-SUN (30/24-TEETH)						
	7	2	3T-4824	4	GEAR-PLANETARY (30-TEETH)						
	8	2	3T-5021	1	CARRIER-PLANETARY						
	9	2	3T-5200	1	CARRIER-PLANETARY						
	10	2	3T-6963	1	SEAL-RING						
B	11	1	3T-9272	1	SHIM PACK (INCLUDES 8-SHIMS)						
	12	2	5M-0578	3	BEARING AS-ROLLER						
	13	2	5M-7925	4	BEARING AS-ROLLER						
	14	2	6I-8724	1	RING-LOCK						
	15	1	6P-1735	1	LOCKWASHER						
	16	1	6P-1736	1	WASHER (55.17X76.2X2.67-MM THK)						
	17	2	6T-0062	1	PLATE						
	18	2	6T-0064	4	SHAFT-PLANETARY						
	19	1	6T-0850	2	WASHER-THRUST (255X287.25X2.75-MM THK)						
	20	2	6V-0855	1	BEARING AS-TAPERED ROLLER						
	21	1	6V-7646	3	WASHER-HARD (7.2X25X2-MM THK)						
	22	2	6Y-0926	3	GEAR-PLANETARY (23-TEETH)						
	23	2	6Y-0984	1	GEAR-RING (75-TEETH)						
	24	1	6Y-2704	1	SPRING-DISC						
	25	1	6Y-9373	4	DISC-FRICTION						
	26	2	7G-1596	1	RING-RETAINING						
	27	1	7H-4566	2	CUP-BEARING (TAPERED ROLLER)						
	28	1	7T-1885	1	RING						
	29	1	7T-6994	3	PLATE-CLUTCH & BRAKE						
	30	2	7T-8130	1	RING-RETAINING						
	31	1	7T-9788	1	HUB						
	32	1	7T-9832	1	RETAINER						
	33	1	7T-9837	1	PLATE						
	34	2	8E-8307	6	DISC-THRUST						
	35	2	8E-8310	8	DISC-THRUST						
	36	1	9B-0576	1	LOCKNUT-BEARING						
	37	2	9W-1571	1	SLINGER						
	41	2	9W-6102	1	GEAR-RING (84-TEETH)						
	42	2	9W-6103	1	RING-THRUST						
	43	1	005-4834	2	BEARING AS-TAPERED ROLLER						
	44	2	136-1596	1	HOUSING-ROTATING						
	45	1	214-3573	1	PISTON						
	46	1	6Y-3982	1	CARRIER						
	47	1	217-2293	1	RETAINER						
	48	2	103-0871	1	GEAR-BEVEL (97-TEETH)						
	49	1	103-0870	1	PINION-BEVEL (27-TEETH)						
	50	1	227-2451	1	HOUSING AS						
	50A	1	5P-8245	12	WASHER-HARD (13.5X25.5X3-MM THK)						
	50B	1	1A-1460	12	BOLT (1/2-13X2-IN)						
	50C	1	1A-2223	2	DOWEL						
B	50D	1	9W-2853	1	SHIM PACK (INCLUDES 21-SHIMS)						
	51	2	030-2135	4	BOLT-LOCKING (5/16-18X0.625-IN)						
	52	2	0L-1143	21	BOLT (3/8-16X2.5-IN)						
	53	1	0S-1614	3	BOLT (1/4-20X0.5-IN)						
	54	1	1A-2029	6	BOLT (3/8-16X1.125-IN)						
	55	1	2A-4639	1	BOLT (3/8-16X1.625-IN)						

POWER TRAIN

280-6995 CASE GP-TRANSMISSION

S/N: DZH1-UP

FIELD REPLACEMENT FOR 190-2278-PAGE 422

SMCS-3064

i02491556

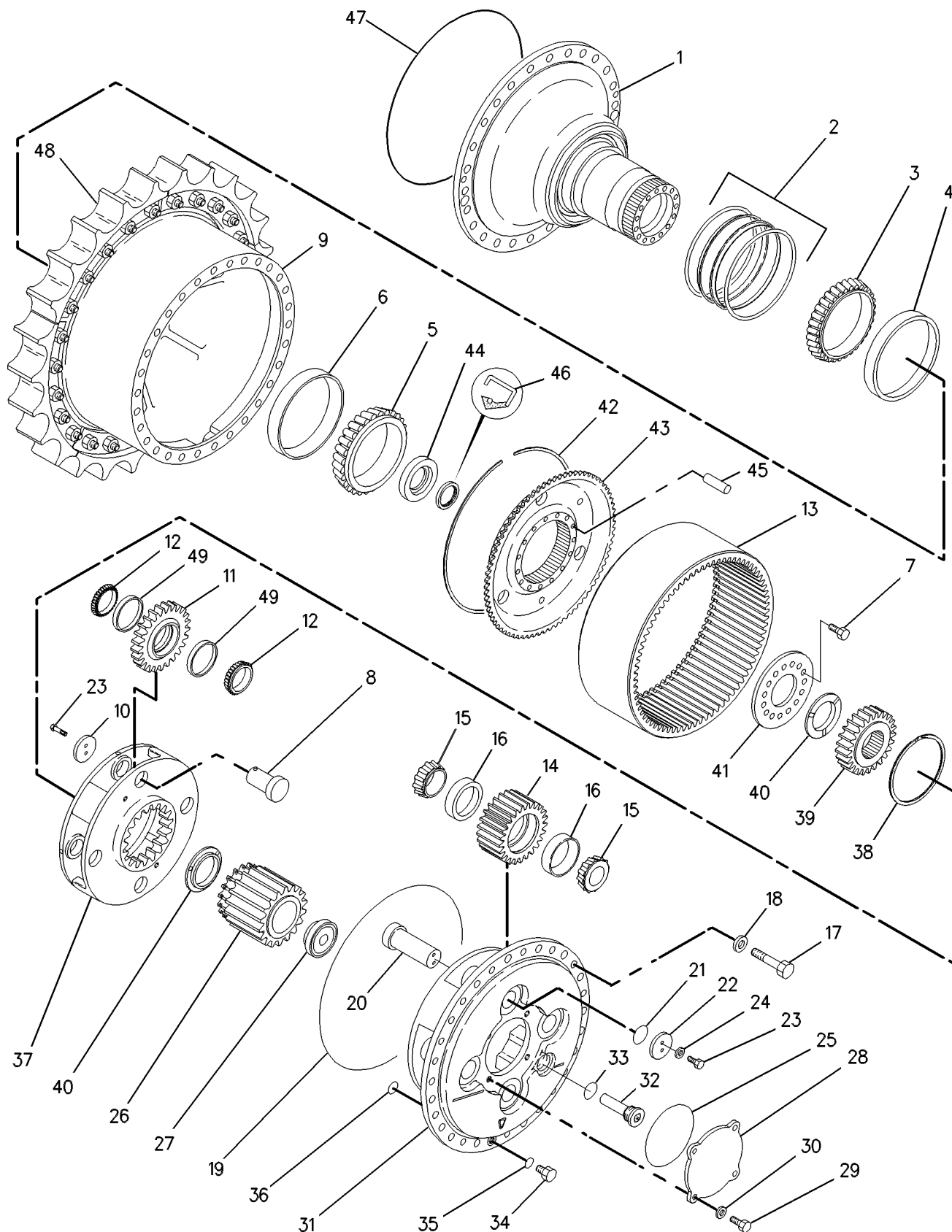
NOTE	PART NUMBER	QTY	PART NAME						SEE PAGE
			1	2	3	4	5	6 (PRODUCT LEVEL)	
Y	190-2278	1	CASE GP-TRANSMISSION						422
	0S-1620	1	BOLT (1/2-13X0.75-IN)						
	196-8884	1	BRACKET AS						
	8C-3334	2	RIVET-TUBULAR						
	124-9401	4	CLIP						
	5P-8245	1	WASHER-HARD (13.5X25.5X3-MM THK)						
Y-SEPARATE ILLUSTRATION									

<END>

POWER TRAIN

1Q-3054 DRIVE GP-FINAL (contd.)

i03364809



GRAPHIC #1

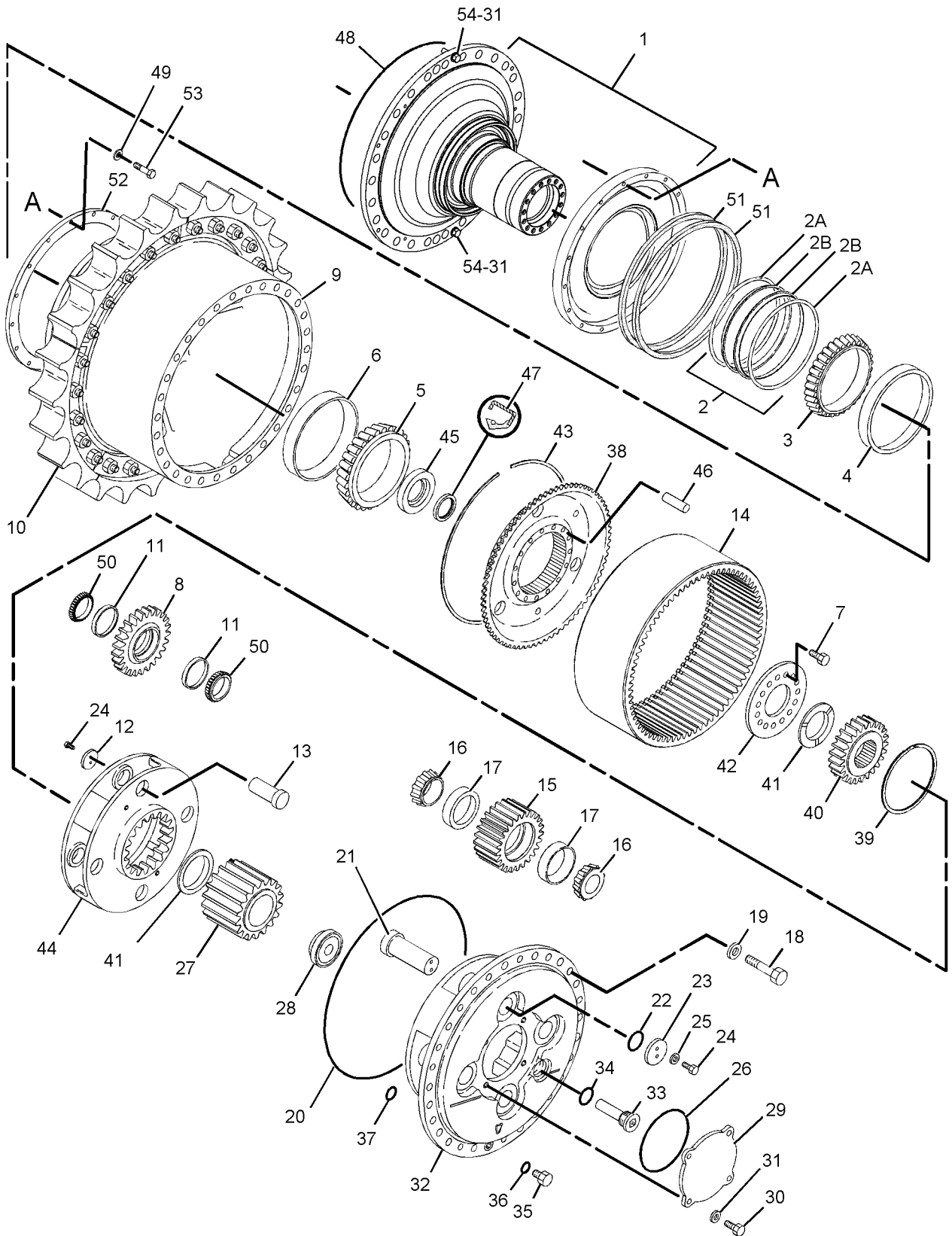
<END>

g00588136

POWER TRAIN

159-7941 DRIVE GP-FINAL (contd.)

i03364924



GRAPHIC #1

<END>

g01121138

POWER TRAIN

208-9521 LINES GP-POWER TRAIN OIL

S/N: J8B207-733

PART OF 206-6781 POWER TRAIN AR

SMCS-3016

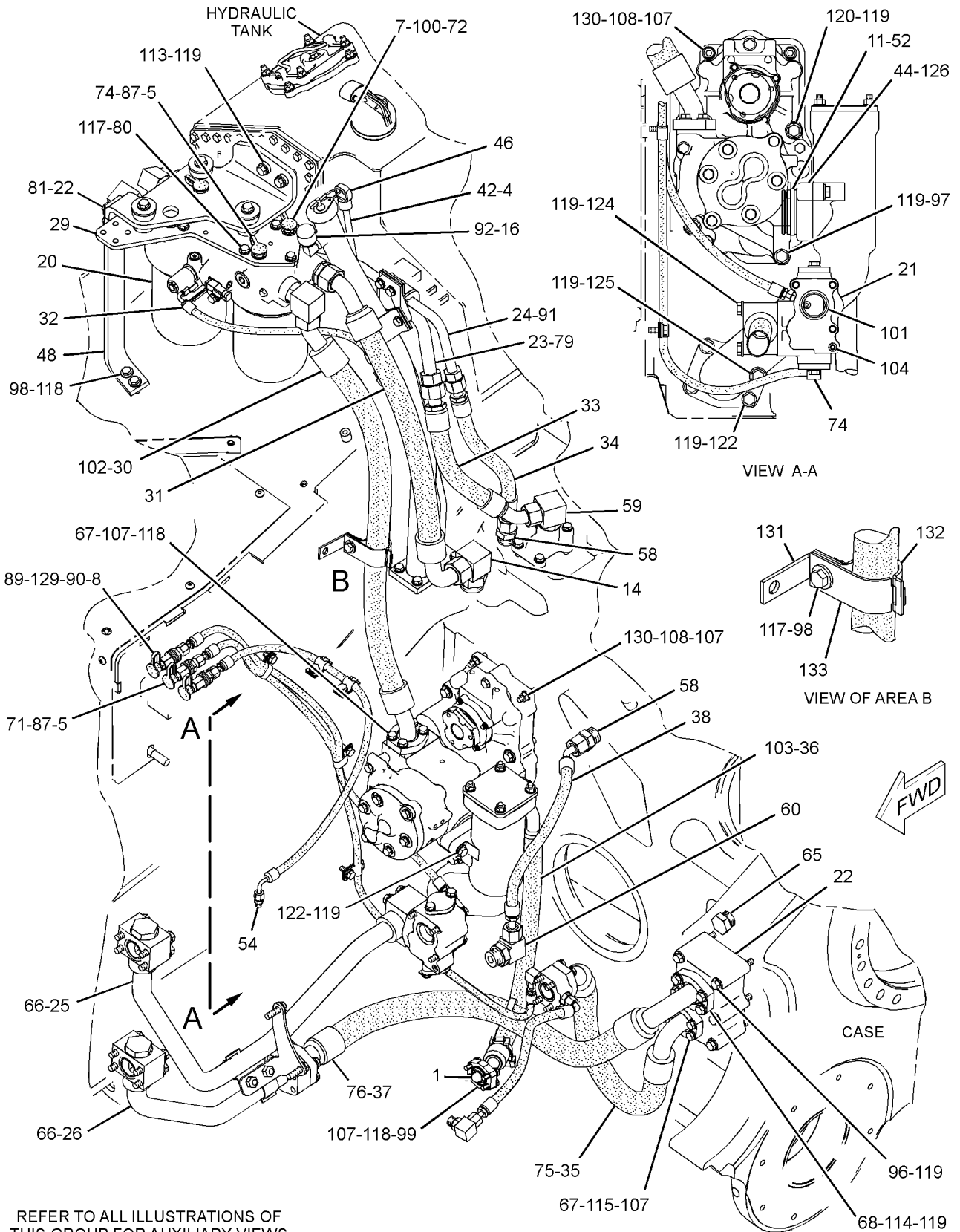
i03422608

NOTE	REF NO	GRAPHIC REF	PART NUMBER	QTY	PART NAME						SEE PAGE
					1	2	3	4	5	6 (PRODUCT LEVEL)	
	1	1	3T-6471	1	SCREEN AS (TORQUE CONVERTER SCAVENGE)						
		1	3T-6469	1	WASHER (19X26X1.6-MM THK)						
	3	2	6N-2985	1	CAP AS-FILLER (POWER TRAIN OIL)						
	4	1	6T-3714	1	GASKET						
	5	1,2	6V-0852	5	CAP-DUST						
	6	2	6V-5387	1	PLATE-ORIFICE						
	7	1	8C-3447	1	CAP-DUST						
	8	1	8T-9358	3	CONNECTOR						
	9	2	9R-3141	3	MOUNT AS						
	10	2	9W-1686	1	SPACER						
	11	1	126-5512	1	SLEEVE						
	13	2	148-1928	1	VALVE-RELIEF						
	14	1	153-6235	1	ELBOW AS						
		1	3E-7433	1	ELBOW						
		1	6K-6307	1	SEAL-O-RING						
		1	6V-8400	1	SEAL-O-RING						
	15	2	165-6365	1	FITTING AS						
		2	7W-7381	1	FITTING-OUTLET						
		2	3J-1907	1	SEAL-O-RING						
	16	1	183-3873	1	BREATHER (POWER TRAIN OIL)						
	17	1	193-3973	2	STRAP-CABLE						
	18	1	200-6345	1	MOUNT (DUAL SWIVEL)						
Y	19	2	206-8703	1	PUMP GP-GEAR (POWER TRAIN OIL)						481
Y	20	1	208-3015	1	VALVE GP-PRIORITY (LUBRICATION DISTRIBUTION)						500
Y	21	1	208-3019	1	VALVE GP-RELIEF (TORQUE CONVERTER OUTLET)						505
C	22	1	268-8849	1	MANIFOLD AS						
		1	7B-3028	1	SCREW-DRIVE (NO 4X3/16-IN)						
		1	3J-1907	1	SEAL-O-RING						
		1	9S-4191	1	PLUG-O-RING						
		1	124-6656	2	ORIFICE						
		1	235-5202	1	ORIFICE						
	23	1	209-1438	1	TUBE AS						
	24	1	209-1439	1	TUBE AS						
	25	1	209-1440	1	TUBE AS						
	26	1	209-1441	1	TUBE AS						
	27	2	209-1449	1	BRACKET AS						
	28	2	209-1451	1	BRACKET AS						
	29	1	209-1452	1	PLATE						
I	30	1	209-1453	1	HOSE AS						
I	31	1	209-1454	1	HOSE AS						
I	32	1	209-1455	1	HOSE AS						
I	33	1	209-1456	1	HOSE AS						
I	34	1	209-1457	1	HOSE AS						
I	35	1	209-1458	1	HOSE AS						
I	36	1	209-1459	1	HOSE AS						
I	37	1	209-1460	1	HOSE AS						
I	38	1	209-1461	1	HOSE AS						
I	39	2	209-1462	1	HOSE AS						
I	40	2	209-1463	1	HOSE AS						
	41	2	209-1464	1	MANIFOLD						
	42	1	209-1496	1	TUBE AS						
Y	43	2	211-4323	1	SCREEN GP (POWER TRAIN OIL)						483
	44	1	211-5212	1	ADAPTER						
	45	2	212-6273	1	GROMMET						
C	46	1	267-3059	1	GAUGE AS-OIL LEVEL (DIPSTICK) (POWER TRAIN)						
I	47	2	225-3186	1	HOSE AS						

POWER TRAIN

208-9521 LINES GP-POWER TRAIN OIL (contd.)

i03422609



REFER TO ALL ILLUSTRATIONS OF THIS GROUP FOR AUXILIARY VIEWS

GRAPHIC #1

g01776394

POWER TRAIN

210-0092 PLANETARY GP-TRANSMISSION

S/N: DZH1-UP

PART OF 209-5636 TRANSMISSION AR

SMCS-3160

i03206237

NOTE	REF NO	GRAPHIC REF	PART NUMBER	QTY	PART NAME						SEE PAGE
					1	2	3	4	5	6 (PRODUCT LEVEL)	
	1	3	231-8855	1	SHAFT AS-INPUT						
		3	156-4406	1	PLUG-PIPE						
	2	2	234-9994	1	SHAFT AS-OUTPUT						
	2A	2	3T-8729	1	BEARING-SLEEVE						
	2B	2	9G-6744	1	BEARING-SLEEVE						
	3	3	8M-5010	2	SEAL-O-RING						
	4	2,3	061-6711	2	RING-RETAINING						
	5	3	3T-4377	2	SEAL-RING						
	6	3	8H-5352	2	BALL BEARING						
	7	3	220-1411	1	HOUSING AS						
		3	3F-5022	1	PLUG-CUP						
	8	3	068-8093	2	RING-RETAINING						
	9	3	321-5716	1	PISTON						
	10	2,3	232-7432	2	PLATE-CLUTCH						
	11	3	6Y-4846	1	CARRIER-PLANETARY						
	12	3	7T-6581	4	SHAFT-PLANETARY						
	13	3	8E-8303	8	DISC-THRUST						
	14	3	6Y-2811	4	BEARING AS-ROLLER						
	15	3	7T-6578	4	GEAR-PLANETARY (24-TEETH)						
	16	3	7T-9272	1	GEAR-SUN (34-TEETH)						
	17	1,3	3S-2708	8	PIN-SPRING						
	18	3	6Y-4771	1	COUPLING						
	19	1,3	144-4284	3	RING-LOCK						
	20	2,3	9P-7390	10	DISC AS-FRICTION						
R	21	2,3	8P-2051	8	PLATE-CLUTCH						
	22	3	131-4091	1	SEAL-RING						
	23	1,2,3	8P-2019	3	RING-SEAL						
	24	1,2,3	8P-2022	4	RING-SEAL						
	25	1,2,3	7T-8816	3	BALL BEARING						
	26	2,3	5M-3038	2	SEAL-O-RING						
	27	3	6Y-4834	1	PLATE AS						
		3	3S-2708	1	PIN-SPRING						
		3	8T-1445	2	DOWEL						
	28	2	6I-9784	1	CARRIER-PLANETARY						
	29	1,2,3	6V-0473	3	RING-RETAINING						
	30	1,2	5P-5296	4	RING-RETAINING						
	31	2	6Y-0061	1	GEAR-SUN (42-TEETH)						
	32	2	9P-8626	1	GEAR-SUN (42-TEETH)						
	33	2	112-5585	5	SHAFT-PLANETARY						
	34	2	8E-8304	20	DISC-THRUST						
	35	2	5M-6126	10	BEARING AS-ROLLER						
	36	2	112-4511	5	PIN-SPRING						
	37	2	6I-9788	10	GEAR-PLANETARY (25-TEETH)						
	38	3	7T-6580	1	GEAR-RING (82-TEETH)						
	39	3	6I-9786	1	GEAR-RING (93-TEETH)						
	40	2	9G-0284	1	HOUSING-CLUTCH						
	41	2	321-5717	1	PISTON						
	42	2	9G-0286	1	RING-SEAL						
	43	2	8P-2053	1	SEAL-RING						
	44	2	138-3759	1	GEAR-RING (93-TEETH)						
	45	1,2	6Y-5911	5	DISC-FRICTION						
	46	1,2	6I-8500	3	PLATE-CLUTCH						
	47	1	6I-9785	1	CARRIER-PLANETARY						
	48	2	117-7826	1	HOUSING AS-CLUTCH						
		2	1A-2223	4	DOWEL						
	49	2	321-5718	1	PISTON						

POWER TRAIN

211-4323 SCREEN GP-POWER TRAIN OIL

S/N: J8B1-UP

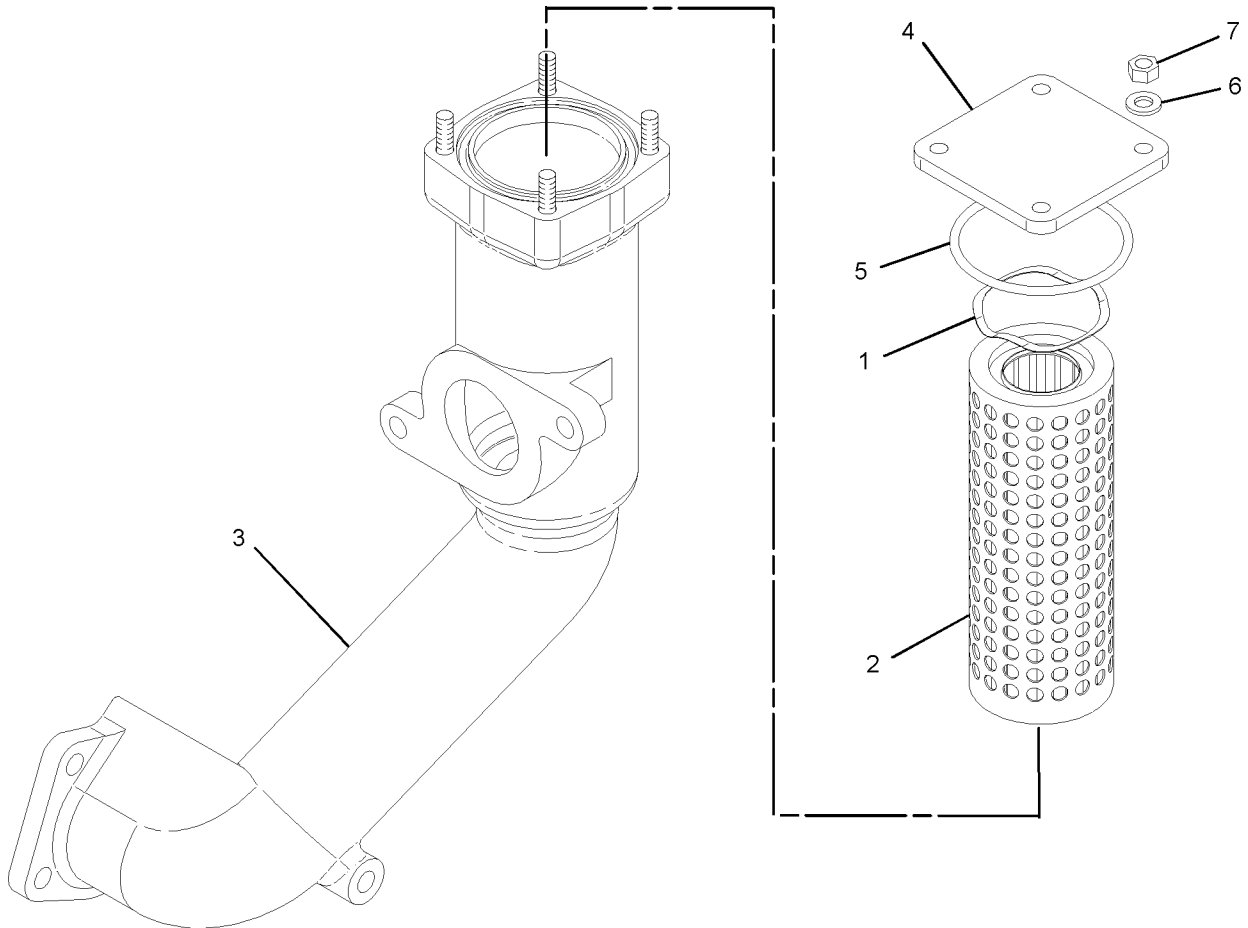
PART OF 208-9521 LINES GP-POWER TRAIN OIL

SMCS-3067

i02234101

NOTE	REF NO	GRAPHIC REF	PART NUMBER	QTY	PART NAME						SEE PAGE
					1	2	3	4	5	6 (PRODUCT LEVEL)	
	1	1	3S-3440	1	WASHER-WAVE (68.1X80.8X0.5-MM THK)						
	2	1	3S-3875	1	SCREEN-SUCTION (POWER TRAIN OIL SUMP)						
	3	1	211-4326	1	HOUSING AS						
	4	1	3S-3439	1	COVER-TOP						
	5	1	6V-5188	1	SEAL-O-RING						
	6	1	8T-4121	4	WASHER-HARD (11X21X2.5-MM THK)						
M	7	1	8T-4133	4	NUT (M10X1.5-THD)						

M-METRIC PART



GRAPHIC #1

<END>

g01019595

POWER TRAIN

207-5300 TORQUE CONVERTER GP*R

S/N: J8B1-UP

PART OF 206-6781 POWER TRAIN AR

SMCS-3101

i02228728

NOTE	REF NO	GRAPHIC REF	PART NUMBER	QTY	PART NAME						SEE PAGE
					1	2	3	4	5	6 (PRODUCT LEVEL)	
	1	1	1S-9799	1	SEAL-O-RING						
	2	1	1T-1402	1	RETAINER-SHAFT						
	3	1	2D-1523	1	RING-RETAINING						
	4	1	2S-2251	1	SEAL-O-RING						
	5	1	4B-7739	1	PLUG-DRAIN (TORQUE CONVERTER)						
	6	1	8H-9818	1	GASKET						
	7	1	8H-9819	1	ADAPTER-PLUG						
	8	1	8S-9008	1	SLEEVE						
	9	1	9H-0846	1	SEAL-O-RING						
	10	1	9H-8712	1	BEARING AS						
	11	1	9M-1976	1	RING-RETAINING						
	12	1	152-7162	1	YOKE						
	13	1	155-5161	1	SEAL-OIL						
	14	1	156-4575	1	SEAL-LIP TYPE						
	15	1	165-4854	2	SEAL-O-RING						
	16	1	186-3075	2	SEAL-O-RING						
	17	1	205-7876	1	HOUSING-TORQUE CONVERTER						
Y	18	1	207-5299	1	TORQUE CONVERTER GP						492
	19	1	208-7635	1	GEAR-SUN (36-TEETH)						
	20	1	210-4458	1	ELBOW						
	21	1	8T-4121	10	WASHER-HARD (11X21X2.5-MM THK)						
M	22	1	8T-4136	4	BOLT (M10X1.5X25-MM)						
M	23	1	8T-4139	10	BOLT (M12X1.75X30-MM)						
M	24	1	8T-4176	1	BOLT (M12X1.75X90-MM)						
M	25	1	8T-4195	8	BOLT (M10X1.5X30-MM)						
	26	1	8T-4223	10	WASHER-HARD (13.5X25.5X3-MM THK)						
	27	1	8T-6762	1	PLUG-PIPE						

M-METRIC PART
Y-SEPARATE ILLUSTRATION

POWER TRAIN

317-3741 VALVE GP-PRIORITY-LUBRICATION DISTRIBUTION

S/N: J8B1426-UP

WITH FILTER

PART OF 208-9521 LINES GP-POWER TRAIN OIL

SMCS-3180

i03422982

NOTE	REF NO	GRAPHIC REF	PART NUMBER	QTY	PART NAME						SEE PAGE
					1	2	3	4	5	6 (PRODUCT LEVEL)	
	1	1	1R-1809	1	FILTER ELEMENT-OIL (ULTRA HIGH EFFICIENCY) (TRANSMISSION CHARGING)						
	1A	1	1R-1809	1	FILTER ELEMENT-OIL (ULTRA HIGH EFFICIENCY) (TORQUE CONVERTER CHARGING)						
	2	1	3S-2093	1	STRAP-CABLE						
	3	1	5S-7816	1	SLUG						
	4	1	6T-9222	2	SPOOL						
	6	1	108-6523	1	ADJUSTER AS						
		1	4K-2039	1	SEAL-O-RING						
		1	7M-8485	1	SEAL-O-RING						
		1	8T-4223	1	WASHER-HARD (13.5X25.5X3-MM THK)						
		1	9U-8069	1	PLUG						
M		1	095-1207	1	NUT (M12X1.75-THD)						
		1	101-9754	1	SCREW-ADJUSTMENT (M12X1.75X18-MM)						
	7	1	110-9734	1	VALVE-PRIORITY						
	8	1	133-2199	2	SPRING						
	9	1	186-3401	1	PISTON						
	10	1	209-0614	1	RETAINER AS						
	11	1	213-0065	1	SPRING						
	12	1	241-6234	1	SPOOL AS						
		1	5M-9548	1	SPRING						
		1	9M-4313	1	POPPET						
		1	173-0887	1	RING-RETAINING						
	13	1	242-7246	1	BASE AS-OIL FILTER						
Y	14	1	269-5771	1	VALVE GP-SOLENOID (POWER TRAIN OIL PRIORITY VALVE)						509
	16	1	321-5967	2	HOUSING GP-FILTER (CHARGE) (EACH INCLUDES)						
		1	3J-1907	1	SEAL-O-RING						
		1	9S-8004	1	PLUG-O-RING						
	17	1	130-5300	1	CLIP						
	18	1	132-5789	1	CLIP						
	19	1	155-3624	1	PLUG AS						
		1	3J-7354	1	SEAL-O-RING						
		1	9S-4182	1	PLUG-O-RING						
	20	1	162-0177	1	PLUG AS						
		1	3J-1907	1	SEAL-O-RING						
		1	9S-8004	1	PLUG-O-RING						
	21	1	207-8218	1	PLUG AS						
		1	7J-0204	1	SEAL-O-RING						
		1	9S-8007	1	PLUG						
	22	1	2S-4078	1	SEAL-O-RING						
	23	1	8C-3101	1	SEAL-O-RING						
M	24	1	8T-4137	1	BOLT (M10X1.5X20-MM)						
	25	1	8T-4896	1	WASHER-HARD (10.2X18.5X2.5-MM THK)						

M-METRIC PART
Y-SEPARATE ILLUSTRATION

FRAME AND BODY

241-3811 BAR AR-STRIKER-LANDFILL

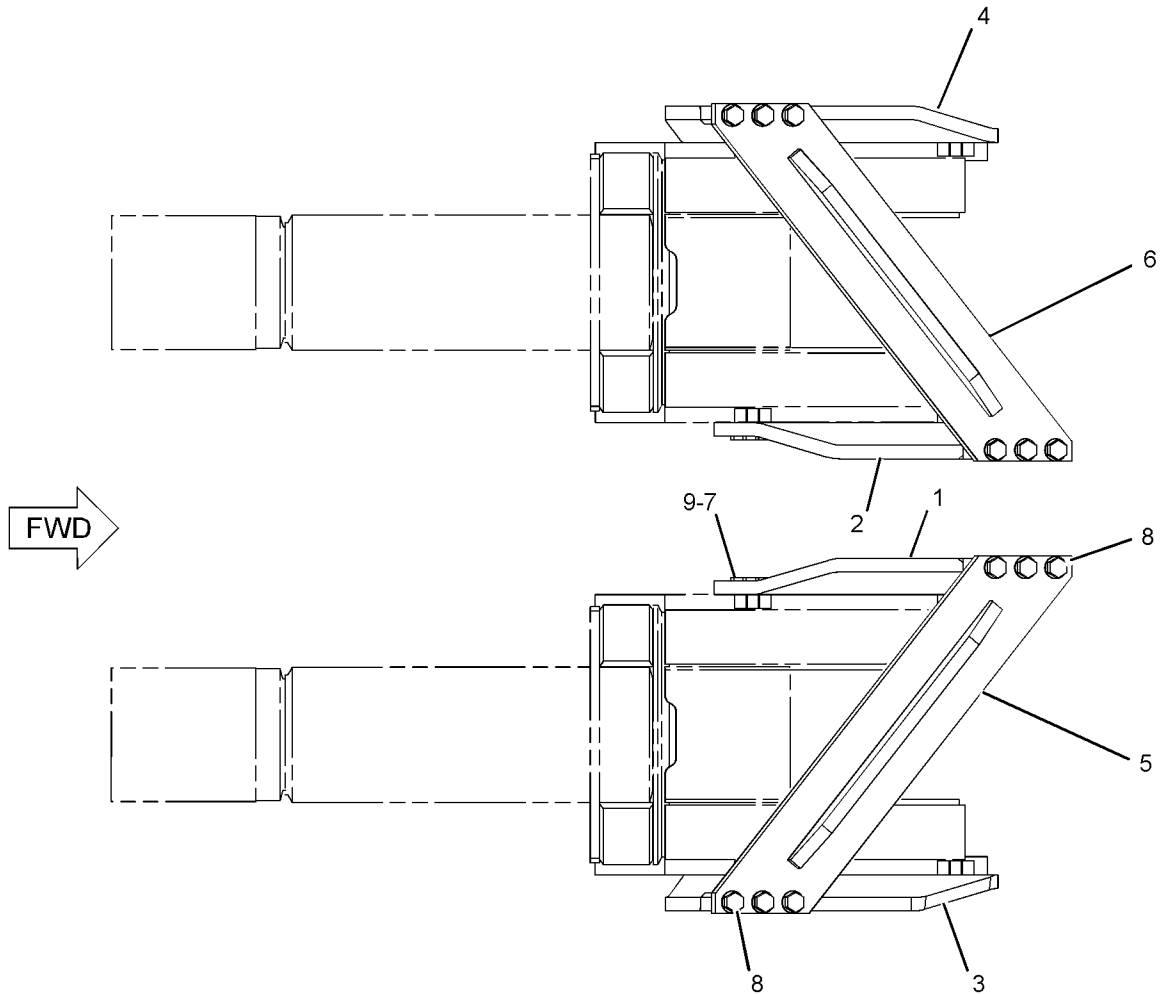
S/N: J8B1-UP

660-MM (26-IN) MAXIMUM TRACK WIDTH
AN ATTACHMENT

SMCS-7180

i02243721

NOTE	REF NO	GRAPHIC REF	PART NUMBER	QTY	PART NAME						SEE PAGE
					1	2	3	4	5	6 (PRODUCT LEVEL)	
	1	1	129-0997	1	PLATE AS						
	2	1	129-1000	1	PLATE AS						
	3	1	241-3812	1	PLATE AS (RH)						
	4	1	241-3814	1	PLATE AS (LH)						
	5	1	241-3816	1	PLATE AS (RH)						
	6	1	241-3821	1	PLATE AS (LH)						
	7	1	7X-0402	24	BOLT (1-8X2-IN)						
	8	1	7X-0406	12	BOLT (1-8X3-IN)						
	9	1	8T-5361	36	WASHER-HARD (28X49X5-MM THK)						



GRAPHIC #1

<END>

g01022803

FRAME AND BODY

238-1177 COUNTERWEIGHT GP

S/N: J8B1-UP

305-KG

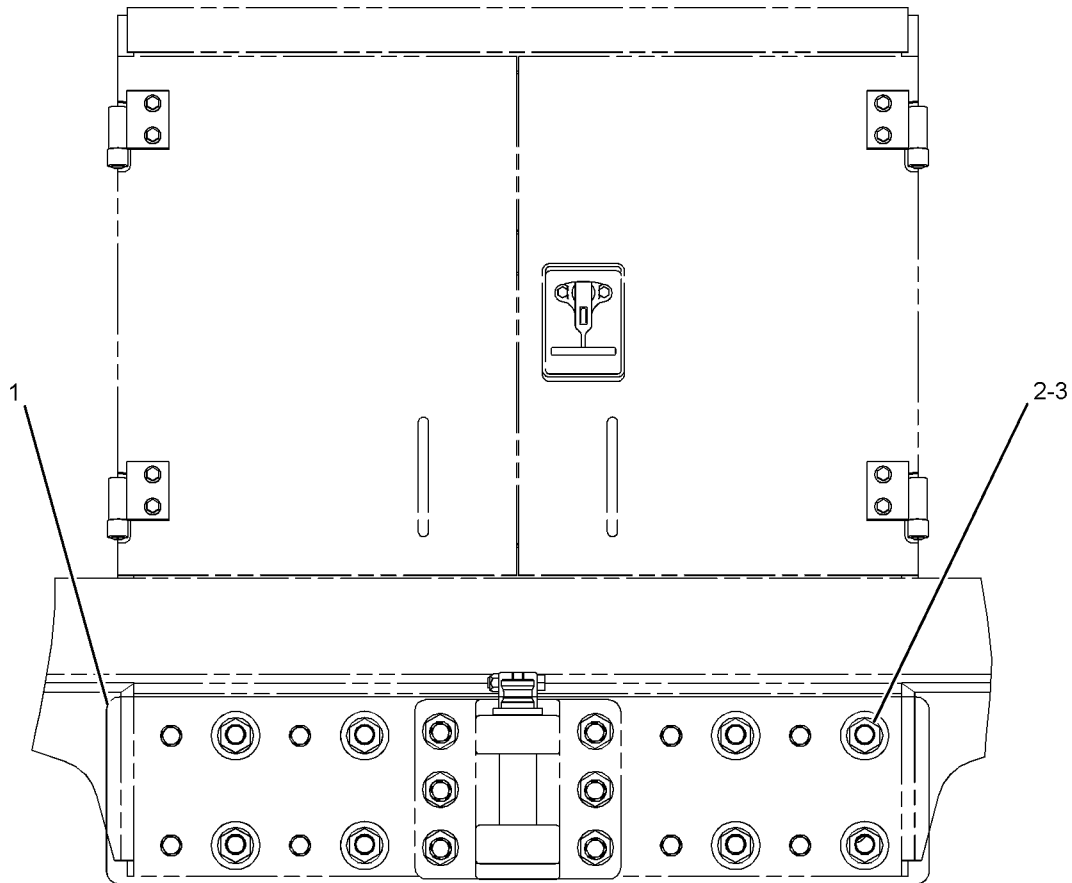
AN ATTACHMENT

SMCS-7056

i02243704

NOTE	REF NO	GRAPHIC REF	PART NUMBER	QTY	PART NAME						SEE PAGE
					1	2	3	4	5	6 (PRODUCT LEVEL)	
	1	1	238-1178	1	PLATE						
M	2	1	7X-2584	8	BOLT (M30X3.5X140-MM)						
	3	1	9X-8258	8	WASHER (33X56X6-MM THK)						

M-METRIC PART



REAR VIEW

<END>

GRAPHIC #1

g01022370

FRAME AND BODY

259-8356 DOOR GP-ACCESS-LH-WASTE HANDLING

S/N: J8B1-UP

PART OF 233-9782 WASTE HANDLING AR
AN ATTACHMENT

SMCS-7273

i03287025

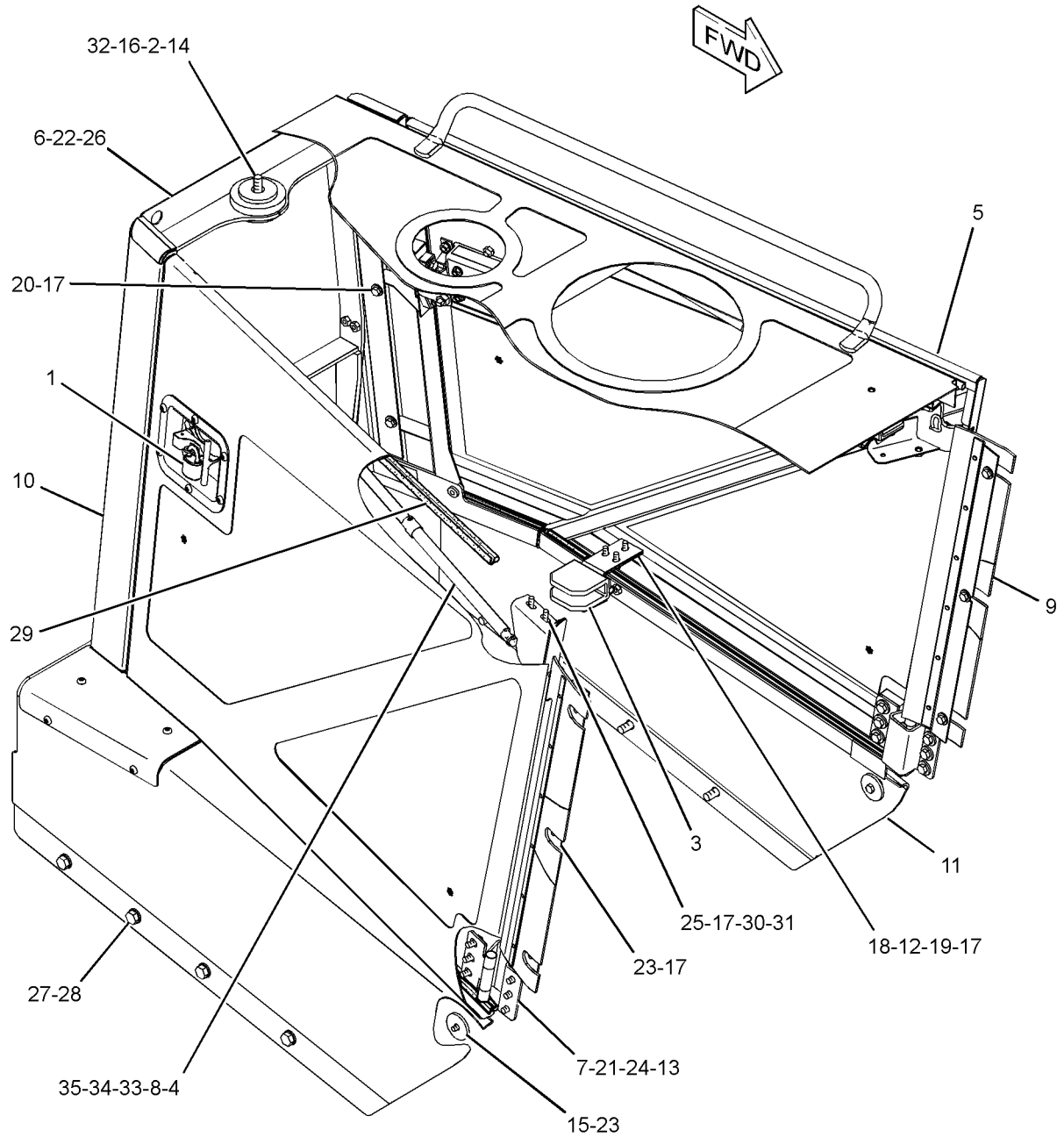
NOTE	REF NO	GRAPHIC REF	PART NUMBER	QTY	PART NAME						SEE PAGE
					1	2	3	4	5	6 (PRODUCT LEVEL)	
	1	1	8T-9496	2	LOCKNUT (9/16-18-THD)						
	2	1	8Y-4000	1	LATCH AS (T-BAR, COMPARTMENT)						
	3	1	282-4082	1	STUD-BALL						
	4	1	216-0863	1	TREAD						
	6	1	216-9232	1	DOOR AS (LH)						
	7	1	236-5825	1	GUARD AS (LH)						
	8	1	236-8807	1	BAFFLE AS						
	9	1	252-5078	1	PLATE AS						
	10	1	3W-9207	1	GUIDE						
	11	1	3W-9208	1	PAWL						
M	12	1	6V-7744	2	LOCKNUT (M10X1.5-THD)						
	13	1	7X-7729	3	WASHER (11X25X3-MM THK)						
M	14	1	8C-8585	10	SCREW-BUTTON HEAD (M10X1.5X20-MM)						
	15	1	8E-4832	1	STRIKER						
	16	1	8T-4121	4	WASHER-HARD (11X21X2.5-MM THK)						
M	17	1	8T-4133	3	NUT (M10X1.5-THD)						
M	18	1	8T-4136	2	BOLT (M10X1.5X25-MM)						
M	19	1	8T-4182	2	BOLT (M10X1.5X45-MM)						
M	20	1	8T-4195	1	BOLT (M10X1.5X30-MM)						
	21	1	8T-4226	1	WASHER-PLATED (10.5X45X3-MM THK)						
	22	1	8T-4896	2	WASHER-HARD (10.2X18.5X2.5-MM THK)						
	23	1	9W-8940	1	PLATE						
	24	1	8T-4224	1	WASHER-HARD (8.8X16X2-MM THK)						
M	25	1	131-3540	1	LOCKNUT (M8X1.25-THD)						

M-METRIC PART

FRAME AND BODY

209-5034 ENCLOSURE GP-ENGINE (contd.)

i03205663



GRAPHIC #1

<END>

g01559033

FRAME AND BODY

251-1722 FRAME & BEARING AS

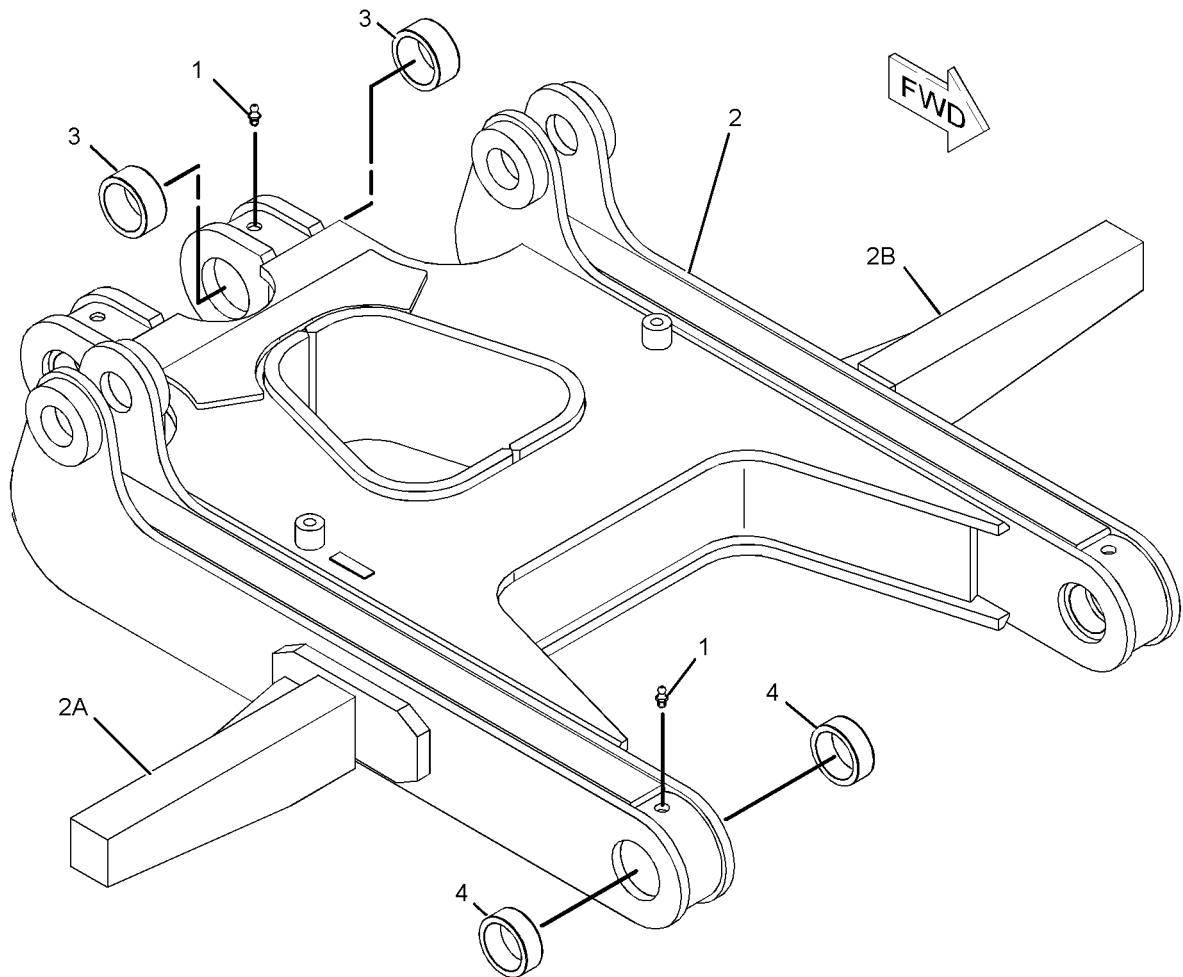
S/N: J8B1-UP

PART OF 251-1723 FRAME AR-STRIKER
FOR USE WITH SINGLE SHANK RIPPER
AN ATTACHMENT

SMCS-4150, 7051

i02246138

NOTE	REF NO	GRAPHIC REF	PART NUMBER	QTY	PART NAME						SEE PAGE
					1	2	3	4	5	6 (PRODUCT LEVEL)	
	1	1	3B-8489	4	FITTING-GREASE						
	2	1	251-1721	1	FRAME AS						
	2A	1	4Z-8984	1	STRIKER AS-RH						
	2B	1	4Z-8985	1	STRIKER AS-LH						
	3	1	4T-9751	4	BEARING-SLEEVE						
	4	1	7T-3746	4	BEARING-SLEEVE						



GRAPHIC #1

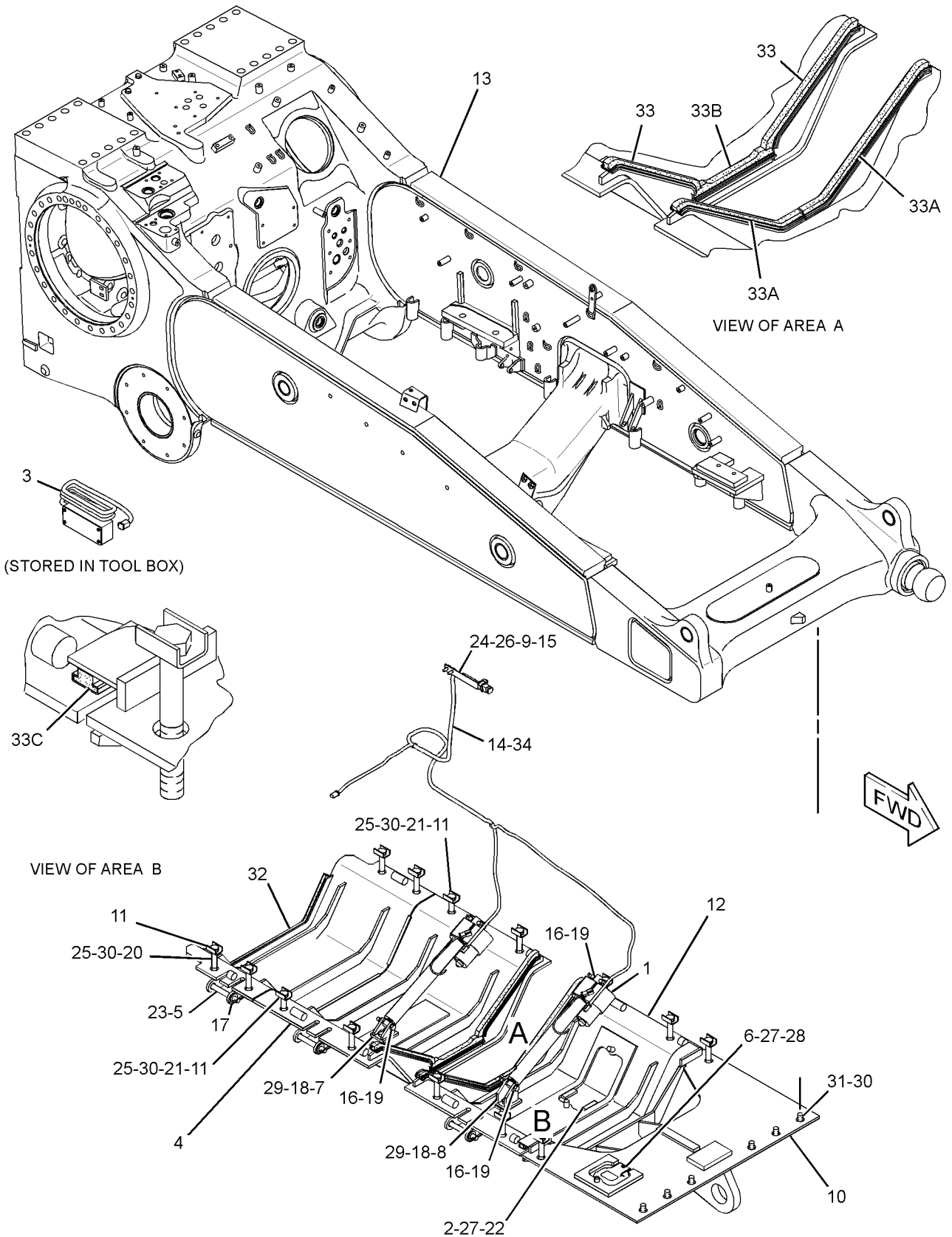
<END>

g01119917

FRAME AND BODY

209-5103 GUARD AR-BOTTOM (contd.)

i03291181



GRAPHIC #1

<END>

g01547316

FRAME AND BODY

209-3862 GUARD GP-FUEL TANK

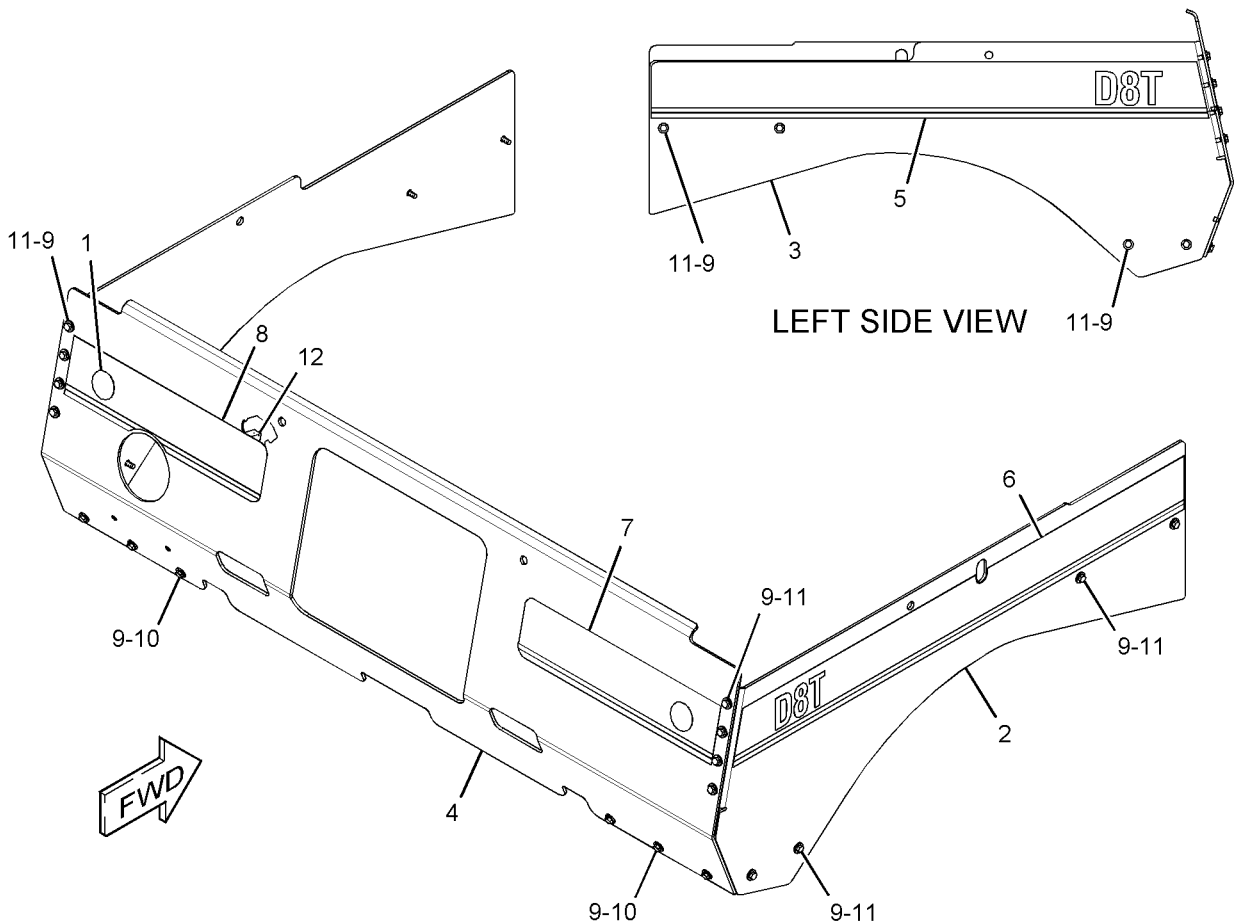
S/N: J8B1-UP
AN ATTACHMENT
TYPE 1

SMCS-1273, 7150

i02797856

NOTE	REF NO	GRAPHIC REF	PART NUMBER	QTY	PART NAME						SEE PAGE
					1	2	3	4	5	6 (PRODUCT LEVEL)	
	1	1	190-5386	2	FILM-REFLECTOR (ROUND RED REFLECTIVE) (FUEL TANK GUARD)						
	2	1	217-7919	1	GUARD AS (RH)						
	3	1	217-7920	1	GUARD AS (LH)						
	4	1	239-3497	1	GUARD AS (REAR)						
	5	1	242-3999	1	FILM-STRIPE (D8T, LH) (FUEL TANK GUARD)						
	6	1	242-4002	1	FILM-STRIPE (D8T, RH) (FUEL TANK GUARD)						
	7	1	242-4016	2	FILM-STRIPE (REAR, RH) (FUEL TANK GUARD)						
	8	1	255-1528	1	FILM-STRIPE (REAR, LH) (FUEL TANK GUARD)						
	9	1	5P-1076	22	WASHER-HARD (13.5X30X4-MM THK)						
M	10	1	8T-4910	6	BOLT (M12X1.75X60-MM)						
M	11	1	8T-4956	16	BOLT (M12X1.75X35-MM)						
J	12	1	295-0890		SEAL (2-DM)						

J-ORDER BY THE DECIMETER
M-METRIC PART



GRAPHIC #1

<END>

g01416978

FRAME AND BODY

8E-1497 GUARD GP-ROCK

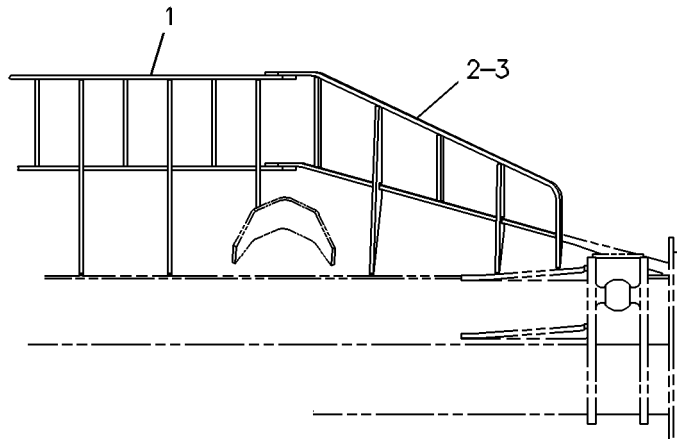
S/N: J8B1-UP

PART OF 245-8152 BLADE GP-SEMI-UNIVERSAL
AN ATTACHMENT

SMCS-7182

i02038660

NOTE	REF NO	GRAPHIC REF	PART NUMBER	QTY	PART NAME						SEE PAGE
					1	2	3	4	5	6 (PRODUCT LEVEL)	
	1	1	222-0827	1	GUARD AS (CENTER)						
	2	1	8E-1454	1	GUARD AS (RH)						
	3	1	8E-1455	1	GUARD AS (LH)						



REAR VIEW

GRAPHIC #1

<END>

g00222687

FRAME AND BODY

213-1303 SWEEP GP

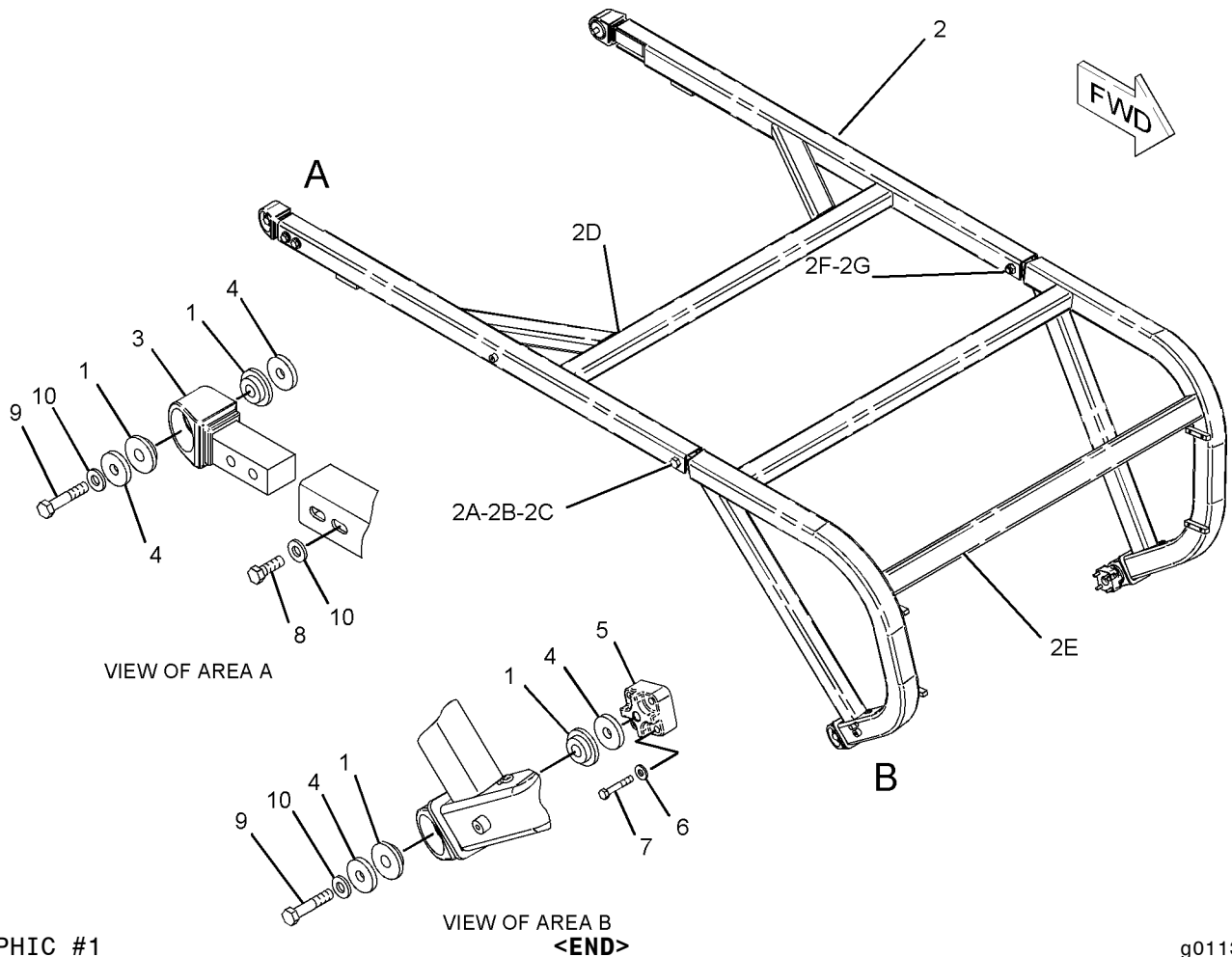
S/N: J8B1-UP
AN ATTACHMENT

SMCS-7162

i02242453

NOTE	REF NO	GRAPHIC REF	PART NUMBER	QTY	PART NAME						SEE PAGE
					1	2	3	4	5	6 (PRODUCT LEVEL)	
	1	1	6T-1698	8	MOUNT						
	2	1	235-0540	1	SWEEP AS						
	2A	1	1P-2772	4	SPACER (1.031X1.219X0.75-IN THK)						
	2B	1	8P-5244	4	WASHER (33.3X69.8X6.35-MM THK)						
	2C	1	9S-5187	2	MOUNTING						
	2D	1	235-6229	1	GUARD AS						
	2E	1	235-6232	1	GUARD AS						
	2F	1	6K-3632	2	LOCKNUT (1-8-THD)						
	2G	1	8C-8844	2	BOLT (1-8X5-IN)						
	3	1	235-0541	2	BLOCK AS						
	4	1	235-0544	8	PLATE						
	5	1	235-0545	2	SPACER						
	6	1	5P-1076	8	WASHER-HARD (13.5X30X4-MM THK)						
M	7	1	6V-8336	8	BOLT (M12X1.75X70-MM)						
M	8	1	7X-2563	4	BOLT (M20X2.5X60-MM)						
M	9	1	7X-2565	4	BOLT (M20X2.5X100-MM)						
	10	1	8T-5439	8	WASHER-HARD (21.5X45X6-MM THK)						

M-METRIC PART



GRAPHIC #1

<END>

g01130991

PART NUMBER INDEX

Part	Page	Part	Page	Part	Page	Part	Page
	737		340		169		1129
	739		386		171		1132
	763		389		317		1134
	766		393		825		1139
	767		414		829		1181
	777		417	5P-0695	222	5P-1076	6
5K-9107	414		419		226		8
5K-9179	1139		424		228		152
	1140		426		230		155
5K-9246	419		429		231		294
5K-9988	419		446		392		302
5L-3708	239		474	5P-0746	222		449
	240		571		368		455
5L-4751	595		572	5P-0747	227		461
	597		1111		230		467
5L-4758	707		1114		374		514
5L-7200	374		1120		388		540
	381		1123		392		542
5M-0578	413		1125	5P-0761	226		548
	417		1132		227		556
5M-1179	345		1134		228		558
5M-2057	825		1176		230		573
	829	5M-3034	369		231		574
	869	5M-3038	473		388		576
	872	5M-3062	273		392		578
	875		274	5P-0767	138		581
	877		275		1137		590
	880		278	5P-0840	39		593
	883		280		41		596
	886		283		43		607
	889		285		54		610
5M-2894	24		288		56		657
	28		290	5P-1075	128		659
	60		292		228		788
	71		294		231		790
	73		297		273		792
	76		300		274		794
	81		302		275		796
	82		305		278		809
	85		309		280		992
	88		1181		283		1017
	90	5M-4987	479		285		1019
	93	5M-6126	473		288		1022
	117	5M-6214	576		290		1143
	118		578		292		1144
	119		926		294		1145
	123	5M-7878	492		297		1147
	124	5M-7925	413		300		1172
	130	5M-8500	1017		302		1177
	138		1019		305		1178
	140		1022		309		1209
	144		1209		374	5P-1251	155
	163	5M-9548	500		449	5P-1255	121
	186		503		455	5P-1262	138
	188	5N-2840	1132		461	5P-1291	829
	190		1134		467	5P-1327	999
	195	5P-0047	990		732		1000
	198	5P-0370	917		1031	5P-1404	182
	200	5P-0537	19		1108		184
	203		20		1111		836
	217		21		1114	5P-1442	193
	219		1161		1117	5P-1465	154
	224		1162		1120		155
	326	5P-0597	161		1123	5P-1471	161
	338		167		1125		167

PART NUMBER INDEX

Part	Page	Part	Page	Part	Page	Part	Page
	859		449		869	8E-2837	604
			455		872		606
			461	8C-8451	259		609
			467		260		612
		8C-3447	447		262		615
			453		264	8E-2898	604
8B-2026	155		459	8C-8514	1212		606
8B-4624	516		465		1213		609
8B-7789	490		698		1214		612
8B-9294	314	8C-3451	699	8C-8585	516		615
8C-0573	826		155		527	8E-2899	604
	830	8C-3681	604		529		606
8C-3085	863	8C-4436	606		531		609
8C-3089	163		609		533		612
	369		612		535		615
	730		615		537	8E-3039	▶ 741
8C-3093	119		712		548	8E-3518	412
8C-3101	500	8C-5193	1075		550	8E-3519	412
	503	8C-5226	119		551	8E-3600	790
8C-3110	813	8C-5230	711		1080		792
	818	8C-5237	755		1178		796
8C-3174	777	8C-5245	757	8C-8722	539	8E-4051	417
	782		259	8C-8723	596	8E-4059	634
8C-3205	780	8C-5607	260		1177		635
	782		265		1178		637
	784		1143	8C-8843	1178	8E-4060	634
	788		1152	8C-8844	593		635
	790		259	8C-8992	998		637
	792	8C-5608	260	8C-9161	744	8E-4061	633
	794		262	8C-9660	369		636
	796		264	8C-9987	911	8E-4062	633
	892		265	8D-1817	429		636
8C-3206	449		270	8D-1819	429	8E-4193	981
	455		1143	8D-3932	1148		982
	461		1152	8D-4771	471		983
	467	8C-5917	227	8D-9671	732		984
	737		230	8D-9739	474	8E-4194	981
	739	8C-5918	227	8D-9947	1132		982
	746		228		1134		983
	760		230	8E-0618	411		984
	764		231		412	8E-4205	▶ 584
	767	8C-6354	395	8E-0719	604		977
	777	8C-6358	235		606	8E-4206	584
	792	8C-6362	939		609	8E-4209	584
	796	8C-6364	1033		612	8E-4216	584
	804	8C-6561	437		615	8E-4218	584
	826		442	8E-1118	1102	8E-4272	635
	830	8C-6712	840	8E-1205	516	8E-4457	633
	840		854		547		634
	854		867	8E-1454	583		635
	867	8C-6857	731	8E-1455	583		636
	892	8C-6877	627	8E-1497	▶ 583		637
	901		628		970	8E-4458	633
	990		631	8E-1848	1003		634
8C-3222	749		632		1004		635
8C-3334	423	8C-6913	112		1005		636
8C-3364	448		471	8E-2139	648		637
	454		560		649	8E-4505	634
	460		571	8E-2481	432		635
	466		572		434		637
8C-3442	1017	8C-6921	235		439	8E-4506	634
	1019	8C-7581	334	8E-2685	1017		635
	1022		1010		1019		637
	1209	8C-8431	763		1022	8E-4513	633
8C-3445	119		766		1209		636
8C-3446	119						

PART NUMBER INDEX

Part	Page	Part	Page	Part	Page	Part	Page
	712		606	9W-6990	490		652
9T-4977	749		609	9W-7416	655		654
9T-5900	749		612	9W-7417	655	9W-9916	112
	757		615	9W-7553	606	9W-9917	112
9T-9836	901	9W-3372	432	9W-7554	606	9W-9925	112
9U-8069	500		434	9W-7586	607	9W-9982	429
	503		436		610	9X-0199	381
9U-8263	1102		439	9W-7587	607	9X-0262	338
9U-8746	1102		441		610		340
9U-9229	548		444	9W-7594	10	9X-0358	1107
	576	9W-3373	432		606		1110
	578		434		607		1113
9U-9409	641		436		609	9X-1046	322
9U-9660	492		439		610		404
9V-2818	1193		441	9W-7602	926		407
9W-0194	780		444		932		1102
9W-0197	780	9W-3377	432		933		1150
9W-0198	780		434		934		1151
9W-0645	474		436	9W-7882	599	9X-1054	402
9W-0742	226		439	9W-7884	600		1031
	230		441	9W-7925	417		1093
	▶235		444	9W-7926	417	9X-1138	1163
9W-0852	175	9W-3378	432	9W-7990	994	9X-1365	248
	1031		434	9W-8269	474	9X-1386	356
	1091		436	9W-8270	474		1107
	1093		439	9W-8612	429		1110
	1163		441	9W-8681	780		1113
9W-1441	327		444	9W-8934	479		1116
9W-1442	327	9W-4159	419	9W-8940	527		1119
9W-1446	327	9W-4361	273		529		1122
9W-1447	933		274		531		1125
9W-1464	1076		290		533		1128
9W-1569	429		292		535		1131
9W-1570	429		294		537		1134
9W-1571	413		297	9W-9205	▶599	9X-1813	186
9W-1686	447		300		691		188
	453		302		692		227
	459		305	9W-9206	▶600		231
	465		309		691		343
9W-1694	641	9W-4414	917		692		347
9W-1771	996	9W-4477	▶598	9W-9392	432		348
9W-2451	1003		691		434		349
	1004		692		436		350
9W-2452	1005		693		439		351
9W-2466	606		694		441		354
	609	9W-4480	598		444		372
9W-2707	954	9W-4481	655	9W-9393	432		376
	970		657		434		378
	▶996		659		436		380
9W-2756	958	9W-4813	606		439		402
9W-2757	996		609		441		406
9W-2760	996	9W-4931	916		444		698
9W-2822	576	9W-5232	983	9W-9394	432		699
	578	9W-5334	419		434		1072
9W-2853	413	9W-5343	1014		436	9X-2027	471
9W-2938	226	9W-5541	668		439		788
	230		682		441		790
9W-2992	429	9W-5588	634		444		792
9W-3232	432		637	9W-9603	▶434		794
	434	9W-6074	661	9W-9844	646		796
	436		663		647		892
	439		665		648	9X-2038	18
	441	9W-6102	413		649		1081
	444	9W-6103	413		650		1105
9W-3301	604	9W-6359	472		651		1216

PART NUMBER INDEX

Part	Page	Part	Page	Part	Page	Part	Page
164-2108	498		453		290	169-4738	490
	499		459		292	169-4739	490
	725		465		294	169-4740	490
164-3417	208		869		297	169-5862	840
	211		872		300		854
164-3651	226		875		302		867
	230		877		305	169-7380	1200
164-4180	82		880		309		1202
	85		883	167-2190	748	169-7443	1107
	88		886	167-2208	744		1110
	90		889		746		1113
	448	165-6970	714		749		1116
	454	165-7637	576		751		1119
	460		578		753		1122
	466	165-8079	500	167-2211	755		1125
	518	165-8084	576		757		1128
	520		578	167-2300	748		1131
	521	165-9100	1037	167-2319	746		1134
164-4187	94		1039		749	169-7451	836
	96		1165		751	170-1112	1006
	98		1168		753	170-1114	1006
164-4531	1006	165-9103	1037	167-2324	755	170-1115	1006
164-4883	1157		1039		757	170-1574	776
	1159		1165	167-4407	140	170-1575	776
	1161		1168	167-8081	36	170-3357	798
	1162	165-9104	1165		38		800
164-4940	732		1168		45		802
164-5567	419	166-0344	813	167-8083	36		▶896
	804		818		38	170-3461	402
	869	166-2287	525		45		406
	872	166-2340	140	167-8126	58	170-3793	222
	875	166-2903	49	167-8610	1143		392
	877	166-2904	46		1152	170-4672	11
	880		49	167-8712	395		13
	883	166-3324	627	167-8713	395		▶23
	886		628	167-8987	395	170-4737	48
	889		631	167-9524	498	170-4738	48
164-5616	419		632		499	170-5293	1107
164-5619	901	166-3501	140	168-2100	58		1110
164-5798	317	166-3777	1044	168-2198	813		1113
164-6963	1041	166-4427	5		818		1116
164-6964	1048		10	168-3504	813		1119
164-7556	269		▶618		818		1122
	271	166-4428	5	168-7314	243		1125
164-7577	226		▶619		▶248		1128
	230	166-5229	402	168-7800	164		1131
	▶372	166-6358	217		179		1134
164-8101	313		219	168-7861	813	170-5632	256
164-9541	1037		224		818		258
	1039		1028	168-7871	813	170-8590	1176
	1165	166-6781	1200		818	171-1230	1183
	1168	166-8498	894	168-7940	824		1185
164-9904	703		▶905	168-7941	824		1188
165-0101	753	166-9144	71	168-7942	824		1190
165-0102	▶753		73	168-7943	824	171-2988	1037
	999	166-9159	703	168-7944	824		1039
	1000	167-0642	48	168-8656	290		1165
165-3930	69	167-0643	48		292		1168
165-3932	69	167-1884	273	168-8772	1102	171-3054	714
165-4854	493		275	169-0697	1159	171-3055	714
165-4933	763		278	169-1026	1188	171-3057	714
	767		280		1190	171-3058	714
165-5007	1137		283	169-2876	1230	171-3059	714
165-6170	123		285	169-4736	490	171-3060	714
165-6365	447		288	169-4737	490	171-3061	714

PART NUMBER INDEX

Part	Page	Part	Page	Part	Page	Part	Page
	468		852	229-5667	1233		13
226-7295	1072		856	229-5746	388		▶338
226-7420	242		859	229-6259	94		▶340
	▶1072	228-3102	856		96	231-3539	748
226-7480	1072		859		98	231-6270	327
226-7665	1010	228-3103	848	229-6711	11	231-7064	544
226-7906	782		850		13	231-7065	544
226-9170	255		852		▶103	231-7066	544
226-9423	1076		856	229-8568	38	231-7067	544
226-9622	499		859		45	231-7306	1165
	725	228-3104	856	229-8608	516		1168
226-9649	842		859	229-8907	275	231-7307	1037
	844	228-3105	842		280		1039
	846		844		285		1165
	848		846		294		1168
	850	228-3106	842		297	231-7308	1037
	852		844		302		1039
	856		846		305		1165
	859	228-3323	395	229-9477	11		1168
227-0181	195	228-4006	821		13	231-7309	1037
	198	228-4219	784		▶101		1039
	200	228-4412	11	229-9744	809		1165
227-0210	388		13	229-9967	▶413		1168
	392		▶24		478	231-7310	1037
227-1204	39	228-4832	228	229-9968	▶417		1039
	41		231		478		1165
	43	228-4947	359	229-9974	272		1168
227-2451	413		360	230-0093	1034	231-7311	1037
227-3814	58	228-4981	1014	230-1340	243		1039
227-4002	386		▶1204		264		1165
227-4158	1105	228-6089	403	230-1341	243		1168
227-4239	49		406		264	231-7312	1037
227-4398	911	228-6535	1204	230-1434	367		1039
227-5148	11		▶1205	230-2569	94		1165
	13	228-7495	388		96		1168
	▶186		392		98	231-7313	1037
	▶188	228-7929	157	230-3023	1163		1039
	▶190	228-8553	128	230-3046	▶620		1165
227-5437	▶921	228-9936	732	230-3525	256		1168
227-5439	▶922	229-0625	716	230-3728	204	231-7314	1036
227-6315	▶809	229-0774	403	230-3775	204		▶1165
	919		406	230-3818	11		▶1168
	921	229-0857	448		13	231-8855	473
	924		454		▶32	231-9290	384
227-6718	1054		460	230-4011	198		▶1163
	1056		466		380	232-0253	104
	1064	229-0887	1231	230-4012	198	232-1318	317
227-8406	809	229-1494	1187	230-4086	313	232-1374	184
227-8851	140	229-2013	▶578	230-4691	1146	232-1376	184
227-8852	140		▶580	230-5008	322	232-1693	240
227-9542	236		735	230-5009	1142	232-2960	1232
	1009	229-2578	1163	230-5565	957	232-3235	94
228-0389	388	229-2681	193		959		96
	392		1107		962		98
228-0390	228		1110	230-7622	▶1011	232-3236	94
	231		1113		1014		96
228-0913	760		1116	230-7668	544		98
228-1600	1205		1119	230-7669	544	232-3402	1232
228-1786	195		1122	230-9702	140	232-3583	175
228-1850	836		1125	231-0336	388		1091
228-1871	▶987	229-2863	15		393	232-3870	1050
	999		16		784		1052
228-1872	987		▶94	231-0858	317	232-6622	478
228-3101	848		▶96	231-1403	243		▶1036
	850		▶98	231-1973	11	232-6668	1033

CLICK HERE TO **DOWNLOAD** THE COMPLETE MANUAL

- Thank you very much for reading the preview of the manual.
- You can download the complete manual from: www.heydownloads.com by clicking the link below



- Please note: If there is no response to CLICKING the link, please download this PDF first and then click on it.

CLICK HERE TO **DOWNLOAD** THE COMPLETE MANUAL