

Parts Manual

CS-551 CS-553 CP-553 Vibratory Compactors

**6ZD1-Up (Vehicle)
7AD1-Up (Vehicle)
7BD1-Up (Vehicle)
90N65964-Up (Engine)**

Powered by 3208 Engine

CLICK HERE TO **DOWNLOAD** THE COMPLETE MANUAL

- Thank you very much for reading the preview of the manual.
- You can download the complete manual from: www.heydownloads.com by clicking the link below



- Please note: If there is no response to CLICKING the link, please download this PDF first and then click on it.

CLICK HERE TO **DOWNLOAD** THE COMPLETE MANUAL

INDEX

Name	Page	Name	Page
FRONT HOUSING	23		
FUEL FILTER	64		
FUEL FILTER LINES	57		
FUEL INJECTION LINES	58		
	59	INLET MANIFOLD	53
	61	INSERT-INTAKE	17
	62	INSERT-SEAT EXHAUST	14
	63		17
FUEL PRIMING PUMP	64		
FUEL PUMP HOUSING FASTENER	88		
FUSE (10 AMP)	175		
	179		
	183		
	186		
FUSE (15 AMP)	175		
	179		
	183		
	186		
FUSE (5 AMP)	175		
	179		
	183		
	186		
FUSE-10 AMP	186		
	179		
	183		
	186		
	186		
	179		
	183		
	186		
	186		
	179		
	183		
	186		
	186		
	179		
	183		
	186		
	186		
	179		
	183		
	186		
	186		
	179		
	183		
	186		
	186		
	179		
	183		
	186		
	186		
	179		
	183		
	186		
	186		
	179		
	183		
	186		
	186		
	179		
	183		
	186		
	186		
	179		
	183		
	186		
	186		
	179		
	183		
	186		
	186		
	179		
	183		
	186		
	186		
	179		
	183		
	186		
	186		
	179		
	183		
	186		
	186		
	179		
	183		
	186		
	186		
	179		
	183		
	186		
	186		
	179		
	183		
	186		
	186		
	179		
	183		
	186		
	186		
	179		
	183		
	186		
	186		
	179		
	183		
	186		
	186		
	179		
	183		
	186		
	186		
	179		
	183		
	186		
	186		
	179		
	183		
	186		
	186		
	179		
	183		
	186		
	186		
	179		
	183		
	186		
	186		
	179		
	183		
	186		
	186		
	179		
	183		
	186		
	186		
	179		
	183		
	186		
	186		
	179		
	183		
	186		
	186		
	179		
	183		
	186		
	186		
	179		
	183		
	186		
	186		
	179		
	183		
	186		
	186		
	179		
	183		
	186		
	186		
	179		
	183		
	186		
	186		
	179		
	183		
	186		
	186		
	179		
	183		
	186		
	186		
	179		
	183		
	186		
	186		
	179		
	183		
	186		
	186		
	179		
	183		
	186		
	186		
	179		
	183		
	186		
	186		
	179		
	183		
	186		
	186		
	179		
	183		
	186		
	186		
	179		
	183		
	186		
	186		
	179		
	183		
	186		
	186		
	179		
	183		
	186		
	186		
	179		
	183		
	186		
	186		
	179		
	183		
	186		
	186		
	179		
	183		
	186		
	186		
	179		
	183		
	186		
	186		
	179		
	183		
	186		
	186		
	179		
	183		
	186		
	186		
	179		
	183		
	186		
	186		
	179		
	183		
	186		
	186		
	179		
	183		
	186		
	186		
	179		
	183		
	186		
	186		
	179		
	183		
	186		
	186		
	179		
	183		
	186		
	186		
	179		
	183		
	186		
	186		
	179		
	183		
	186		
	186		
	179		
	183		
	186		
	186		
	179		
	183		
	186		
	186		
	179		
	183		
	186		
	186		
	179		
	183		
	186		
	186		
	179		
	183		
	186		
	186		
	179		
	183		
	186		
	186		
	179		
	183		
	186		
	186		
	179		
	183		
	186		
	186		
	179		
	183		
	186		
	186		
	179		
	183		
	186		
	186		
	179		
	183		
	186		
	186		
	179		
	183		
	186		
	186		
	179		
	183		
	186		
	186		
	179		
	183		
	186		
	186		
	179		
	183		
	186		
	186		
	179		
	183		
	186		
	186		

INDICE

Nombre Pagina

T

TABLA DE SELLOS ANULARES	284
TABLA DE TORNILLERIA	282
TABLERO DE INSTRUMENTOS	186
TANQUE	145
	149
	153
TANQUE HIDRAULICO	141
TAPA DE LA CAJA DE VOLANTE (GR)	27
TAPA DE VALVULAS	19
	20
TAPA DEL BLOQUE MOTOR	4
TAPA DEL MECANISMO DE VALVULAS (GR).....	19
	20
	21
TAPA DEL RADIADOR	31
	37
TAPA DEL TUBO DE LLENADO DE ACEITE ..	19
TORNILLERIA - TABLA DE	282
TORNILLERIA DE LA CAJA DE BOMBA DE COMBUST. (GR)	88
TREN IMPULSOR (GR)	263
TUBERIAS DE ACEITE DEL MOTOR (GR)	45
TUBERIAS DE AGUA (GR)	50
TUBERIAS DE INYECCION DE COMBUSTIBLE (GR).....	58
	59
	61
	62
	63
TUBERIAS DE LA VALVULA DE VENTILACION DEL CARTER.....	54
TUBERIAS DEL FILTRO DE COMBUSTIBLE ..	57
TUBERIAS DEL SUMIDERO DELANTERO DE ACEITE DE MOTOR	45

V

VALVULA DE ALIVIO (GR)	219
VALVULA DE CONTROL (GR)	134
	135
	136
VALVULA DE CONTROL DEL FLUJO HIDRAULICO.....	21
VALVULA DE CONTROL HIDRAULICO	125
VALVULA DE ENTRADA	13
VALVULA DE ESCAPE	13
VALVULA DE FRENO	279
VALVULA DE VENTILACION DEL CARTER	22
VALVULA DIVISORA DE CAUDAL	221
VARILLA DEL NIVEL DE ACEITE	44
VENTILACION DEL CARTER - VALVULA DE.....	22
VIBRADOR (GR)	126
VOLANTE (GR)	26
VOLANTE - CAJA DE (GR)	26

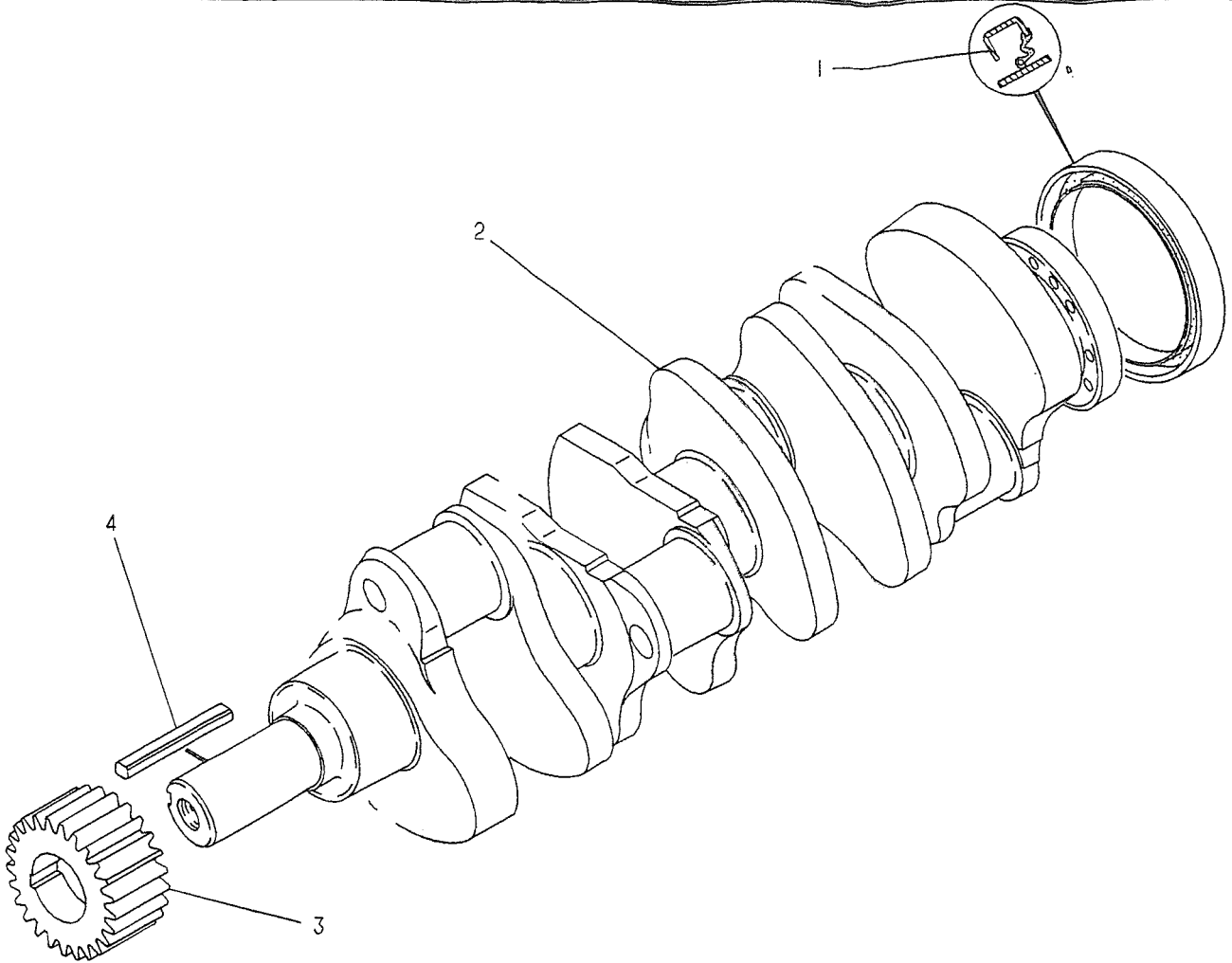
ENGINE ARRANGEMENT

	PAGE
1 9N3846 ADAPTER GP-AIR CLEANER.....	55
1 4W8941 ALTERNATOR GP.....	96
-OR-	
1 7T2096 ALTERNATOR GP.....	97
1 7W5993 DRIVE GP-TACHOMETER.....	24
1 4N5867 ELBOW GP-EXHAUST.....	54
1 1W0326 ENGINE AR.....	02
1 3N2445 FAN GP-SUCTION.....	51
1 6N8799 FLYWHEEL GP.....	26
1 7N4303 GAUGE GP-OIL LEVEL (DIPSTICK).....	44
1 7C2112 PARTS GP-MISCELLANEOUS.....	27
1 9N6519 SEPARATOR GP-WATER.....	87
1 2N9305 STARTING MOTOR GP-ELECTRIC.....	89
1 6N2129 SPRING-GOVERNOR REPLACES STANDARD GOVERNOR SPRING	
1 4N8580 V-BELT SET -OR-	
1 9N1323 V-BELT SET	

451581 P

9E2020 ENGINE AR

BASIC ENGINE



NOTE	REF NO	PART NUMBER	QTY	PART NAME	NOTE	REF NO	PART NUMBER	QTY	PART NAME
R	1	1W0036	1	SEAL GP-CRANKSHAFT					
	2	9N6221	1	CRANKSHAFT AS					
	3	7N6290	1	GEAR (51 TEETH)					
	4	9N6677	1	KEY-CRANKSHAFT					

R-REMG PART MAY BE AVAILABLE

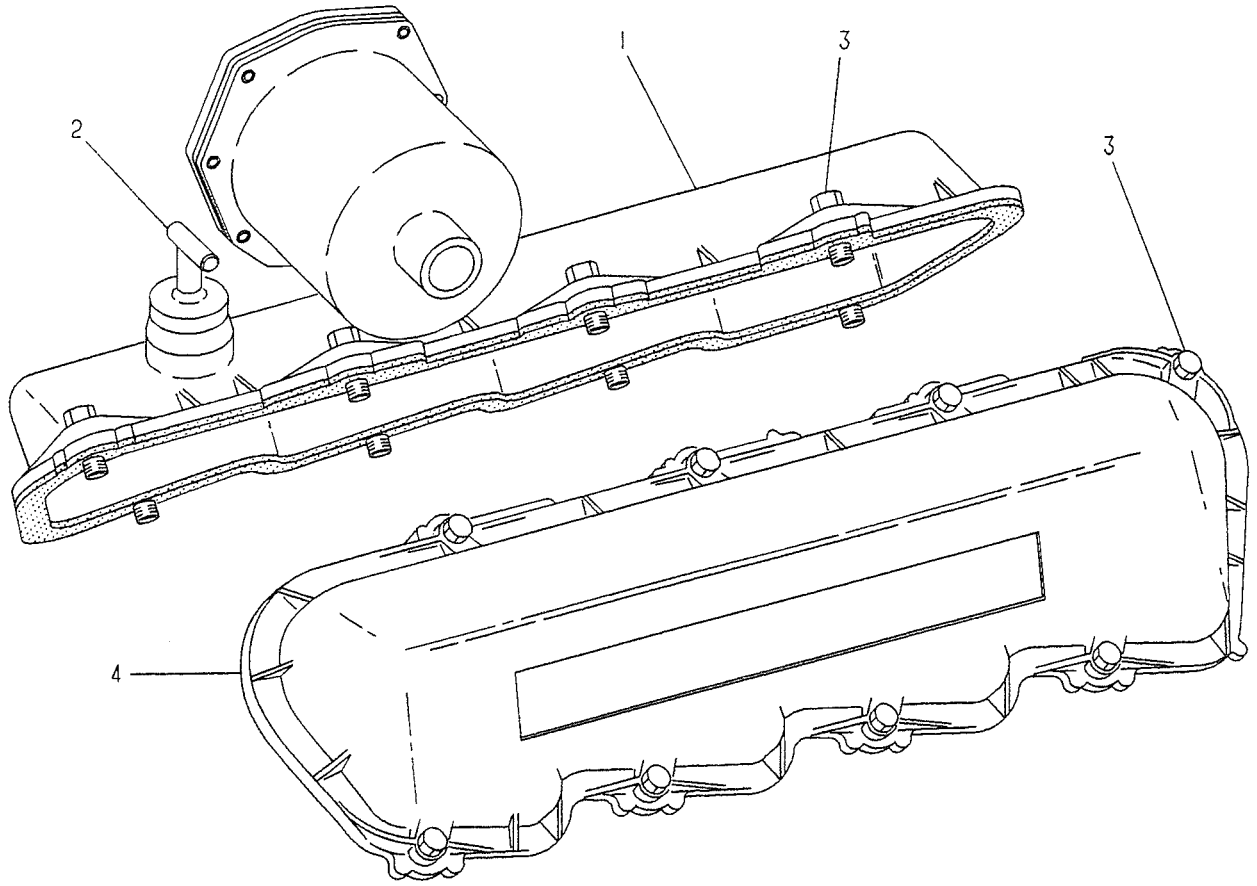
A-456466 EP

1202

2W0085 CRANKSHAFT GP

Field Replacement For 9N6221 Which Is Part Of 9N6222-Page 10

BASIC ENGINE



NOTE	REF NO	PART NUMBER	QTY	PART NAME	NOTE	REF NO	PART NUMBER	QTY	PART NAME
CY	1	4W6968	1	COVER GP-VALVE MECHANISM					
	2	9L8439	1	CAP-OIL FILLER					
	3	9L8925	16	BOLT					
CY	4	4W6972	1	COVER GP-VALVE MECHANISM					

C-CHANGE FROM PREVIOUS TYPE
Y-SEPARATE ILLUSTRATION

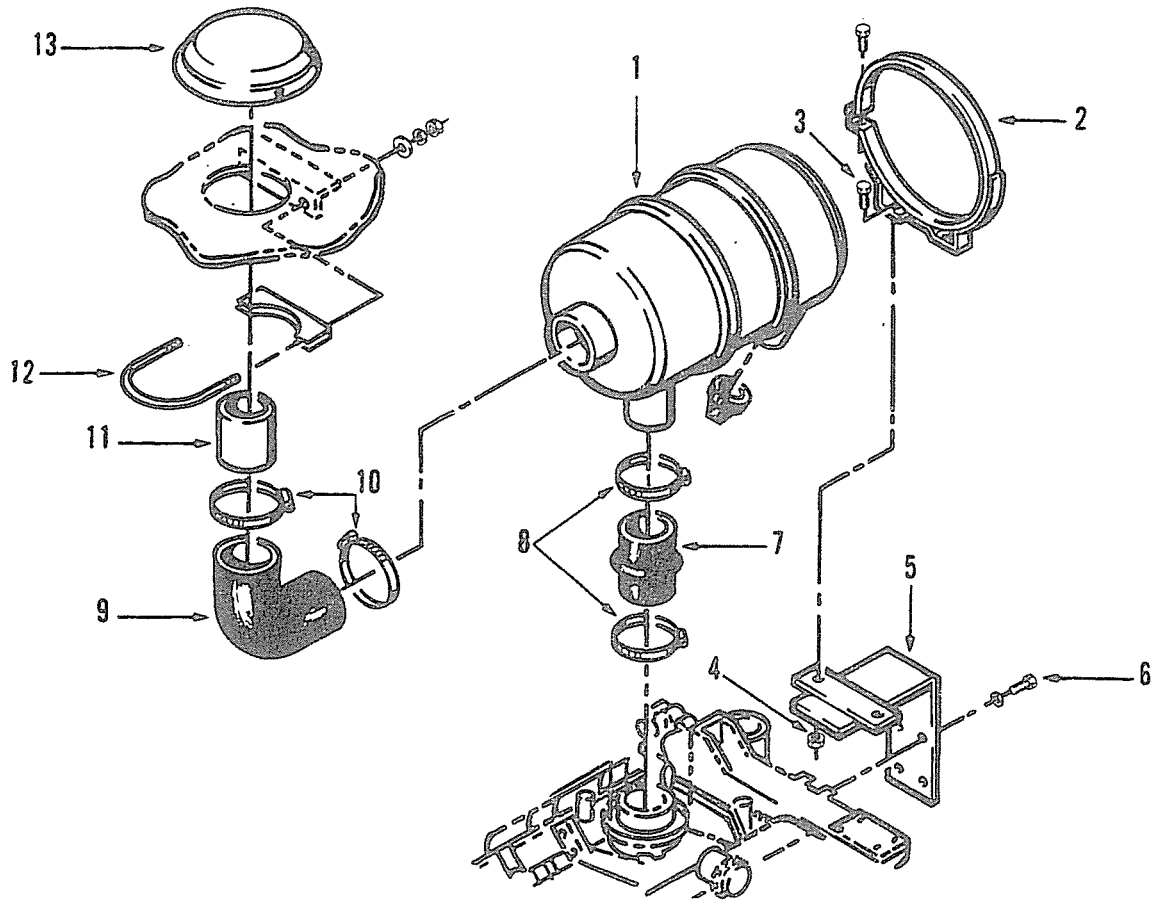
A-329154 EP

1107

9N0730 COVER GP-VALVE MECHANISM
4W6968-Page 20 & 4W6972-Page 21

MEMORANDA

BASIC ENGINE



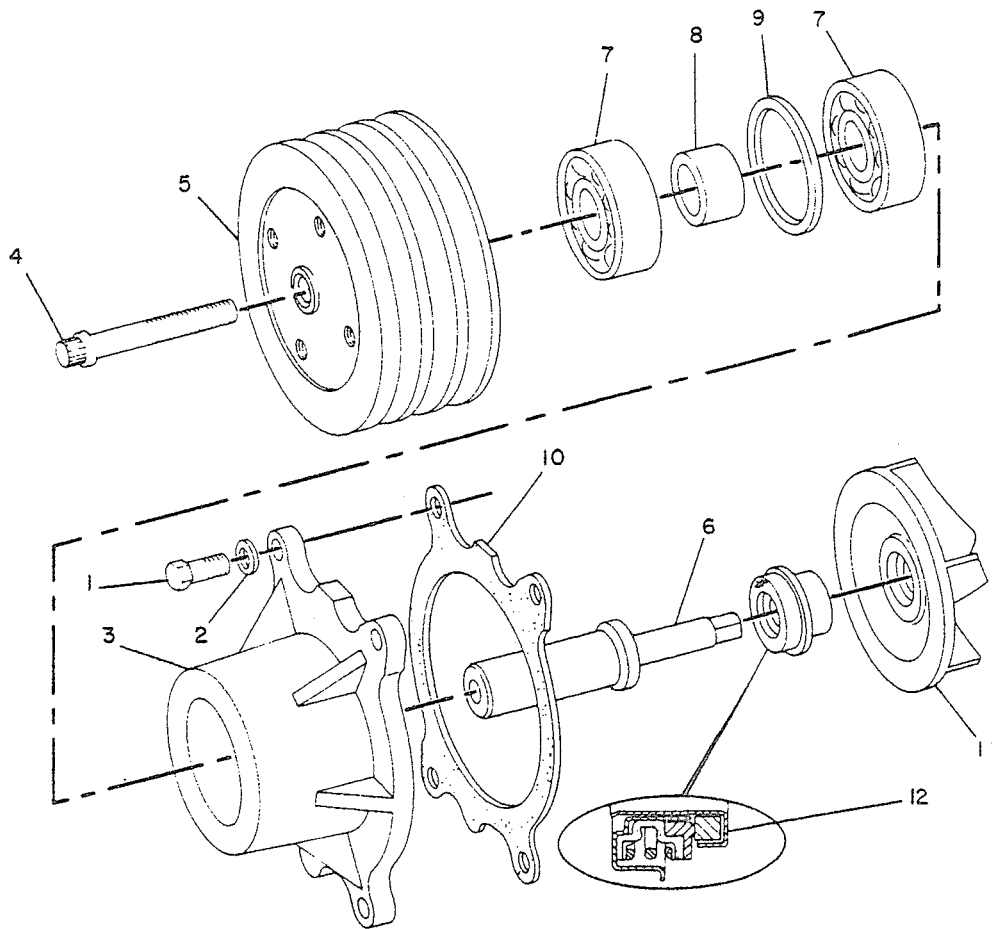
NOTE	REF NO	PART NUMBER	QTY	PART NAME	NOTE	REF NO	PART NUMBER	QTY	PART NAME
Y	1	7X9093	1	AIR CLEANER AS					
	2	980251	1	BAND AS					
N	3	773289	2	SCREW (3/8-1IN)					
	4	772813	2	NUT					
	5	817244	1	BRACKET (AIR CLEANER)					
N	6	774431	4	BOLT (1/2-1IN)					
	7	776125	1	ADAPTER					
	8	774126	2	CLAMP					
	9	980296	1	ELBOW					
	10	980266	2	CLAMP					
	11	7X9092	1	TUBE					
	12	980268	1	CLAMP AS					
	13	780404	1	HOOD (INLET)					

N-SEE HARDWARE CHART
Y-SEPARATE ILLUSTRATION

R-478343 EP

7R7930 ENGINE GP-INSTALLATION-PART 4 OF 6
S/N 6ZD166-Up, 7AD185-Up & 7BD66-Up
7X9093-Page 56

COOLING SYSTEM



NOTE	REF NO	PART NUMBER	QTY	PART NAME	NOTE	REF NO	PART NUMBER	QTY	PART NAME
	1	1A2029	4	BOLT					
	2	5M2894	4	WASHER					
CR	3	2W1225	1	PUMP GP-WATER					
C		9N3076	1	HOUSING-PUMP					
P	4	5P9681	1	BOLT-12 POINT HEAD					
P	5	9N3899	1	PULLEY-PUMP					
P	6	9N3078	1	SHAFT-PUMP					
P	7	5P7807	2	BALL BEARING					
P	8	9N3079	1	SPACER					
P	9	1L4775	1	RING-RETAINING					
P	10	9N0137	1	GASKET-PUMP					
C	11	2W3535	1	IMPELLER-PUMP					
P	12	2W0712	1	SEAL AS-PUMP					
		6V6894	1	THE FOLLOWING REPAIR KIT IS AVAILABLE: KIT-WATER PUMP REBUILD (INCL PARTS MARKED P)					

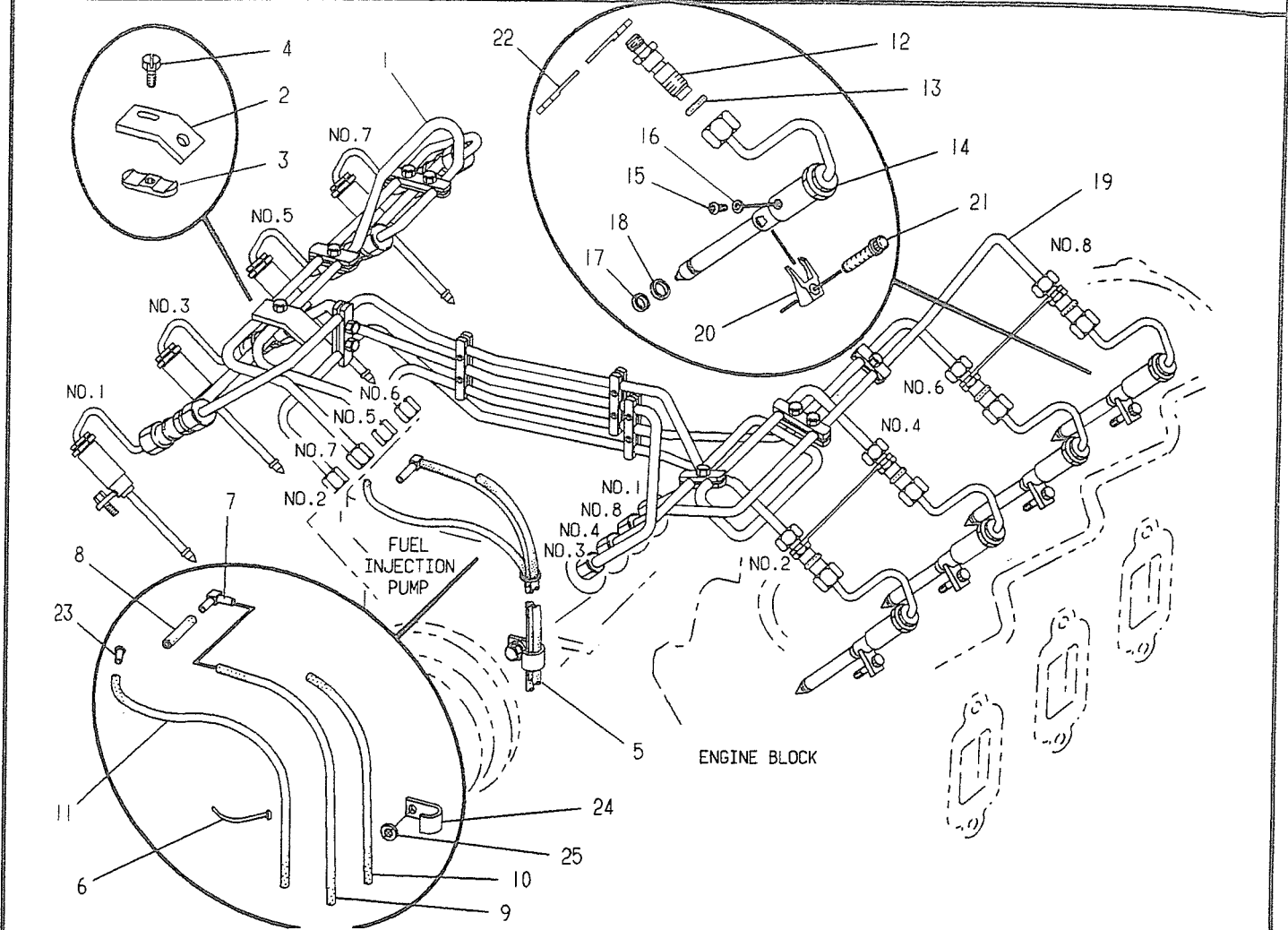
C-CHANGE FROM PREVIOUS TYPE
R-REMFG PART MAY BE AVAILABLE

B-456499 EP

1361

9N3654 PUMP GP-WATER

FUEL SYSTEM AND GOVERNOR



NOTE	REF NO	PART NUMBER	QTY	PART NAME	NOTE	REF NO	PART NUMBER	QTY	PART NAME
Y	1	4W5799	1	LINES GP-FUEL INJECTION	21	1T0416	8	BOLT	
	2	9N2050	1	BRACKET	22	9L9372	4	LOCK-ADAPTER	
	3	7W4151	1	CLAMP-FUEL LINE	23	7K8332	1	INSERT-TUBE SUPPORT	
	4	5P4939	1	SCREW AS-MACHINE	24	9L9251	1	CLIP	
	5	9N2064	1	TUBE AS-BLEED	25	9M1974	1	WASHER	
	6	8L8413	6	STRAP-CABLE					
	7	5P3395	1	ELBOW					
D	8	5P6011		TUBE 22.1 MM-TFR/PUMP					
				SEAL BLEED LINE					
D	9	5P6011		TUBE 508 MM-TFR/PUMP					
				SEAL BLEED LINE					
D	10	5P6011		TUBE 508 MM-SHUT-OFF					
				HOUSING DRAIN LINE					
D	11	5P6011		TUBE 660.4 MM					
				MANUAL BLEED LINE					
	12	9L7675	8	ADAPTER AS-LINE (EACH INCLUDES)					
	13	6F4855	1	SEAL-O-RING					
R	14	4W7016	8	NOZZLE AS (EACH INCLUDES)					
	15	2W1230	1	SCREW-BUTTON HEAD					
	16	8T0659	1	WASHER-SEALING					
	17	9L9098	1	SEAL-CARBON STOP					
	18	4W3914	1	WASHER					
Y	19	4W5798	1	LINES GP-FUEL INJECTION					
	20	8N5132	8	CLAMP-NOZZLE					

D-ORDER BY THE METER
R-REMG PART MAY BE AVAILABLE
Y-SEPARATE ILLUSTRATION

A-456511 EP

1252

7W1998 LINES GP-FUEL INJECTION
Engine S/N 90N69271-71540
4W5798-Page 61 & 4W5799-Page 62

FUEL SYSTEM AND GOVERNOR

	PAGE
2 9L7630 GASKET-AIR INLET	
1 4W5637 GOVERNOR & FUEL INJ PUMP GP.....	70
1 8M5661 SEAL	
1 8M8157 SEAL	
1 9M9729 SEAL-O-RING	

318948 P

1286

4W5636 GOVERNOR & FUEL INJECTION PUMP GP#R
Engine S/N 90N65964-69270
Field Replacement For 4W5606-Page 66

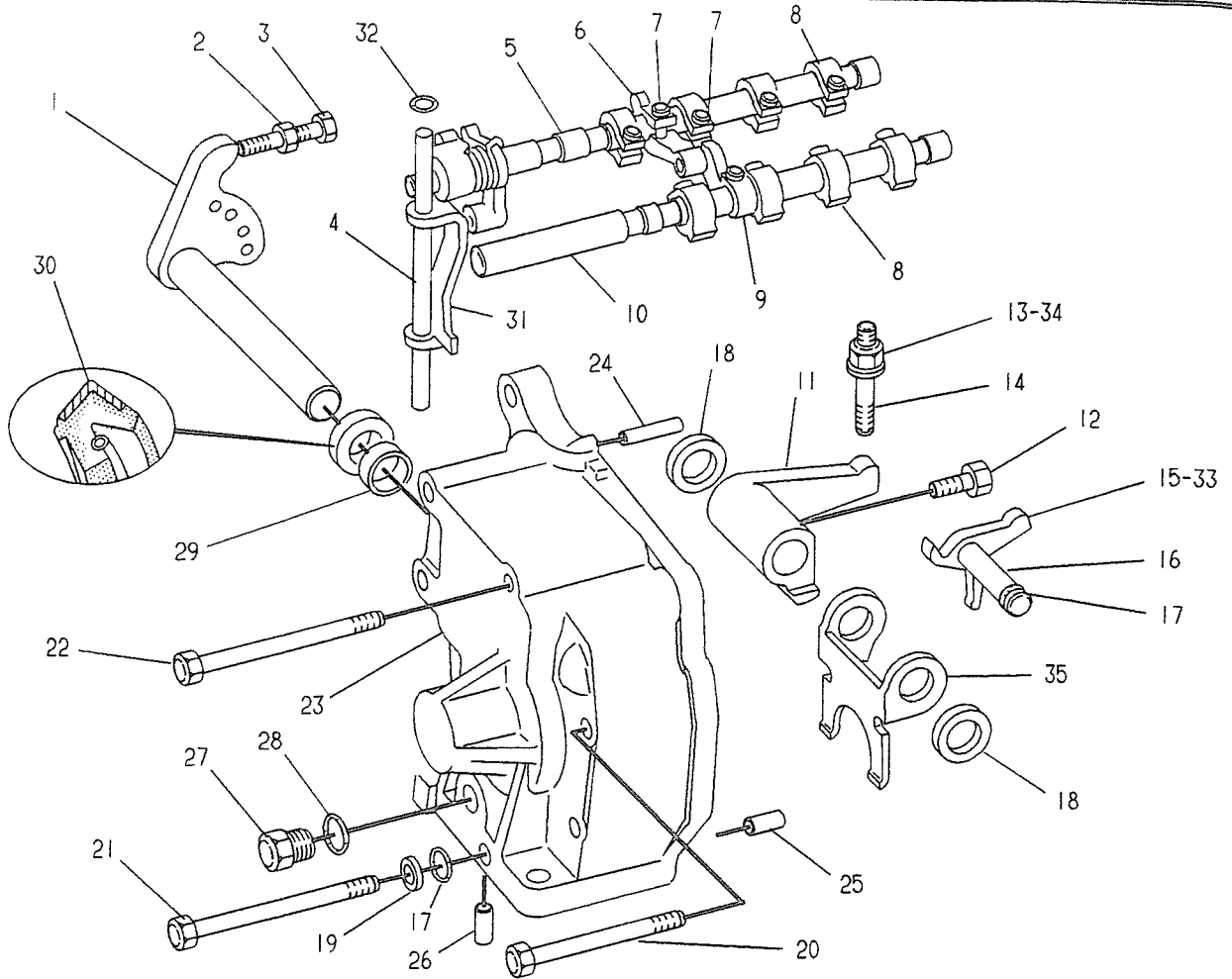
	PAGE
1 9Y0512 GOVERNOR & FUEL INJ PUMP GP.....	71
2 9L7630 GASKET-AIR INLET	
1 8M5661 SEAL	
1 8M8157 SEAL	
1 9M9729 SEAL-O-RING	

409694 P

1286

9Y0511 GOVERNOR & FUEL INJECTION PUMP GP
Engine S/N 90N69271-Up
Field Replacement For 9Y0491-Page 67

FUEL SYSTEM AND GOVERNOR



NOTE	REF NO	PART NUMBER	QTY	PART NAME	NOTE	REF NO	PART NUMBER	QTY	PART NAME
	1	4N2773	1	SHAFT AS-CONTROL		23	8N3946	1	HOUSING AS-GOVERNOR
	2	1D4716	1	NUT-FULL		24	4N2333	1	PIN-SPRING
	3	4N2708	1	SETSCREW		25	8S6814	2	PIN
	4	4N0528	1	SHAFT-LEVER		26	9L9503	1	DOWEL-HOLLOW
	5	4N9828	1	SHAFT AS-CONTROL		27	9S4182	1	PLUG
	6	4N3922	1	LEVER AS-CONNECTION		28	3J7354	1	SEAL-O-RING
	7	2N2658	10	BOLT-SOCKET HEAD		29	8N3945	1	BUSHING
	8	4N1763	8	LEVER-CONTROL		30	2W4037	1	SEAL-LIP TYPE
	9	4N0563	1	LEVER-SHAFT CONNECTION		31	4N2677	1	LEVER AS-RISER
	10	9L6807	1	SHAFT-CONTROL		32	3H0442	1	SEAL-O-RING
	11	7C6202	1	LEVER		33	2M7819	1	RING-RETAINING
	12	310214	1	BOLT-SELF LOCKING		34	6L3921	1	WASHER-SEALING
	13	9M1311	1	NUT-JAM		35	7C6201	1	LEVER-SEAT
	14	6N4176	1	SCREW-SET					
	15	4N0445	1	LEVER-LOAD STOP					
	16	4N0523	1	DOWEL-STOP SUPPORT					
	17	2D6392	2	SEAL-O-RING					
	18	4N3329	2	WASHER					
	19	6N7523	1	WASHER					
	20	8F8178	1	BOLT					
	21	1D4533	3	BOLT					
	22	2A4781	3	BOLT					

A-409698 EP

1286

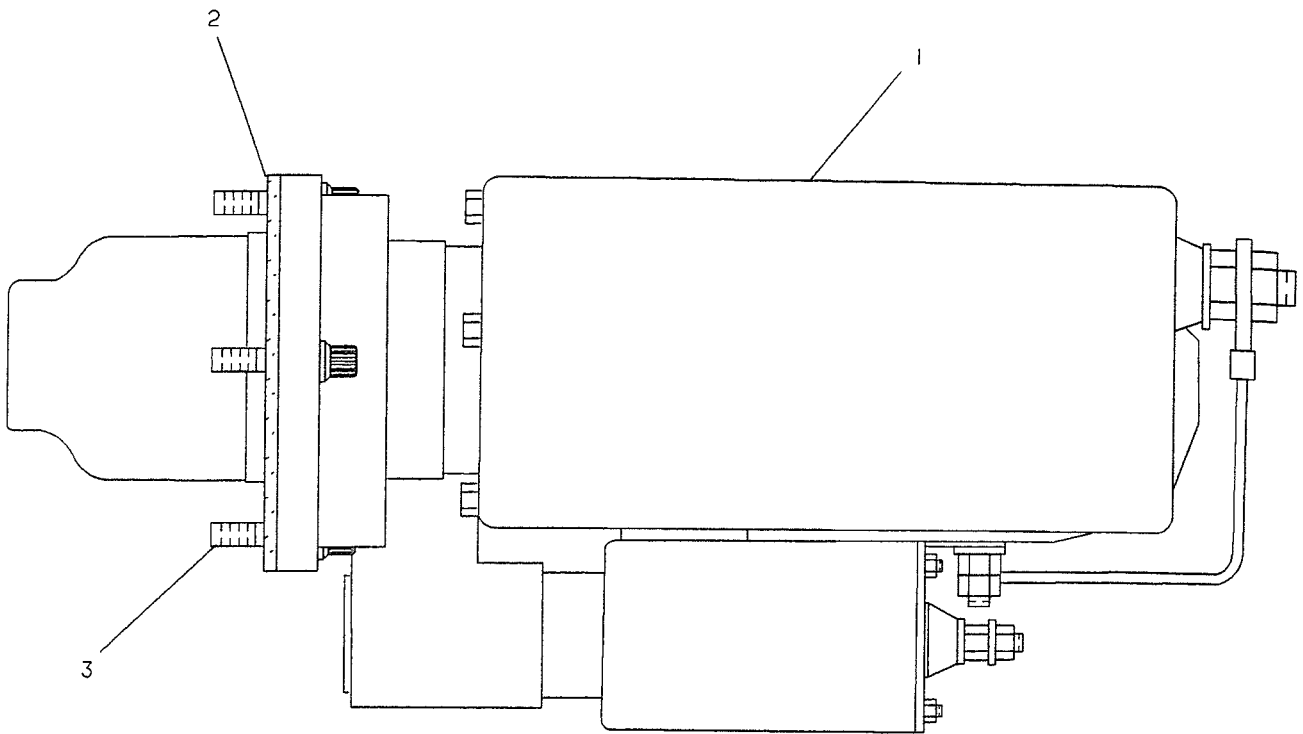
9Y0509 GOVERNOR & FUEL INJECTION PUMP GP-PART 3 OF 5

Type 1

Engine S/N 90N69271-Up

Part Of 9Y0492 & 9Y0512 Governor & Fuel Injection Pumps

STARTING AND ELECTRICAL SYSTEM



NOTE	REF NO	PART NUMBER	QTY	PART NAME	NOTE	REF NO	PART NUMBER	QTY	PART NAME
YR	1	3T2655	1	STARTING MOTOR GP-ELECTRIC					
	2	4H7869	1	GASKET					
	3	8S2332	3	BOLT-12 POINT HEAD					

R-REMG PART MAY BE AVAILABLE
Y-SEPARATE ILLUSTRATION

C-478955 EP

1453

2N9305 STARTING MOTOR GP-ELECTRIC-12 VOLT
Powershift
3T2655-Page 90

DRUM

	PAGE
1 5E0059 DRUM AS-PADDED.....	100
KIT-SCRAPER	
4 980304 MOUNT-SHOCK RING	
4 980303 MOUNT-SHOCK W/NO DOT	
1 7X9535 MOUNT-SCRAPER	
9 775748 BAR-CLEANER	
9 774253 BAR-CLEANER REAR	
9 772832 TIP	
9 772833 PIN-FLEX	
20 777348 WASHER	
22 779151 SCREW-CAP	
1 818168 BAR-CLEANER	
1 7X9548 MOUNT-SCRAPER	
1 980187 MOUNT-SCRAPER FRONT	
9 775748 BAR-CLEANER	
18 980169 BAR-CLEANER	
9 772832 TIP	
9 772833 PIN-FLEX	
18 777348 WASHER	
18 779151 SCREW-CAP	
36 779151 CAPSCREW	
1 774053 CAPSCREW	

478645 P

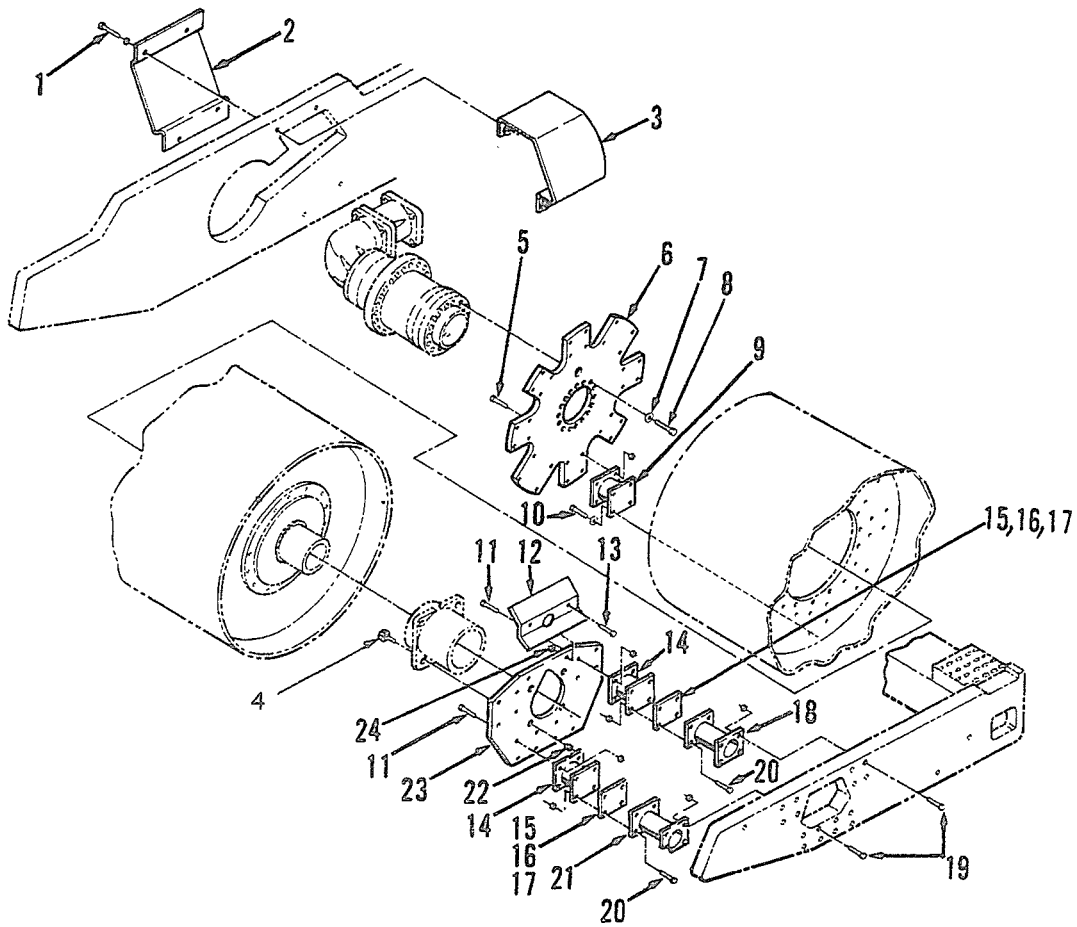
8C9291 KIT-PADDED DRUM
S/N 7AD1-Up
Field Installation

	PAGE
1 5E0058 DRUM AS-SMOOTH.....	102
KIT-SCRAPER	
1 7X9535 MOUNT-SCRAPER REAR	
1 7X8995 MOUNT-SCRAPER REAR	
1 773002 BLADE-SCRAPER	
1 980078 BAR-SCRAPER RETAINER	
11 773163 WASHER-LOCK	
11 7X0325 CAPSCREW	
1 7X8896 MOUNT-SCRAPER FRONT	
1 773002 BLADE-SCRAPER	
1 980078 BAR-SCRAPER RETAINER	
11 773163 WASHER-LOCK	
11 7X0325 CAPSCREW	

478717 P

8C9283 KIT-SMOOTH DRUM
S/N 7BD1-Up
Field Installation

DRUM



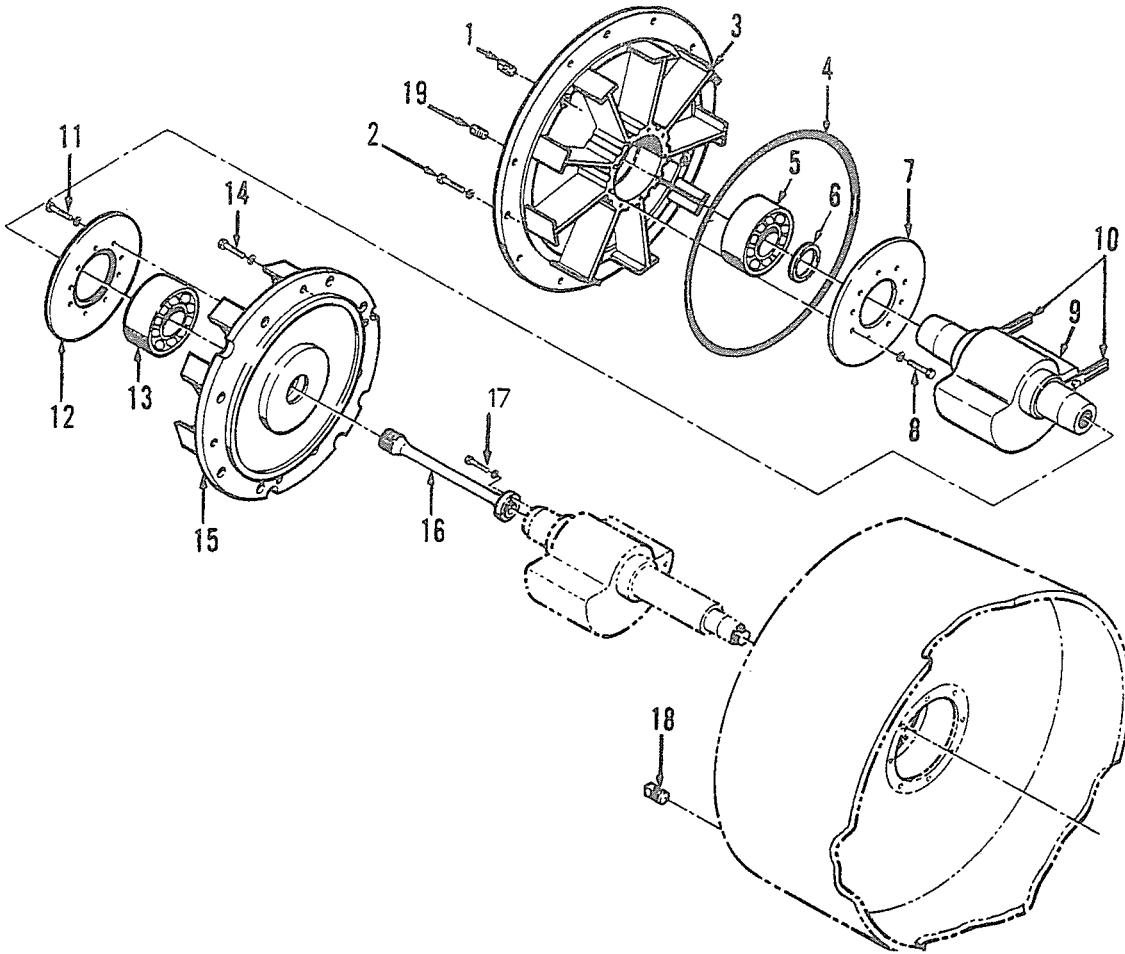
NOTE	REF NO	PART NUMBER	QTY	PART NAME	NOTE	REF NO	PART NUMBER	QTY	PART NAME
N	1	779147	4	BOLT (1/2-3.25IN)					
	2	7X8900	1	COVER					
	3	7X8901	1	COVER					
	4	773150	4	STUD					
N	5	773087	32	BOLT (1/2-2IN)					
	6	980170	1	PLATE					
	7	774279	16	WASHER					
	8	980332	16	BOLT					
	9	772792	8	MOUNT-RUBBER					
N	10	774431	32	BOLT (1/2-1IN)					
N	11	773087	16	BOLT (1/2-2IN)					
	12	980129	1	GUARD					
	13	773087	2	BOLT					
	14	772792	4	MOUNT-RUBBER					
B	15	773351		SHIM (10 GA)					
B	16	980034		SHIM (20 GA)					
B	17	980035		SHIM (16 GA)					
	18	7X8899	2	SPACER					
N	19	774002	16	BOLT (1/2-3IN)					
N	20	772960	16	BOLT (1/2-1.5IN)					
	21	982030	2	SPACER					
	22	772809	4	NUT					
	23	7X8902	1	ARM					
	24	773135	2	NUT					

N-SEE HARDWARE CHART
B-USE AS REQUIRED

R-483648 EP

7R6490 DRUM GP-PADDED-PART 2 OF 4
S/N 7BD190-Up

DRUM



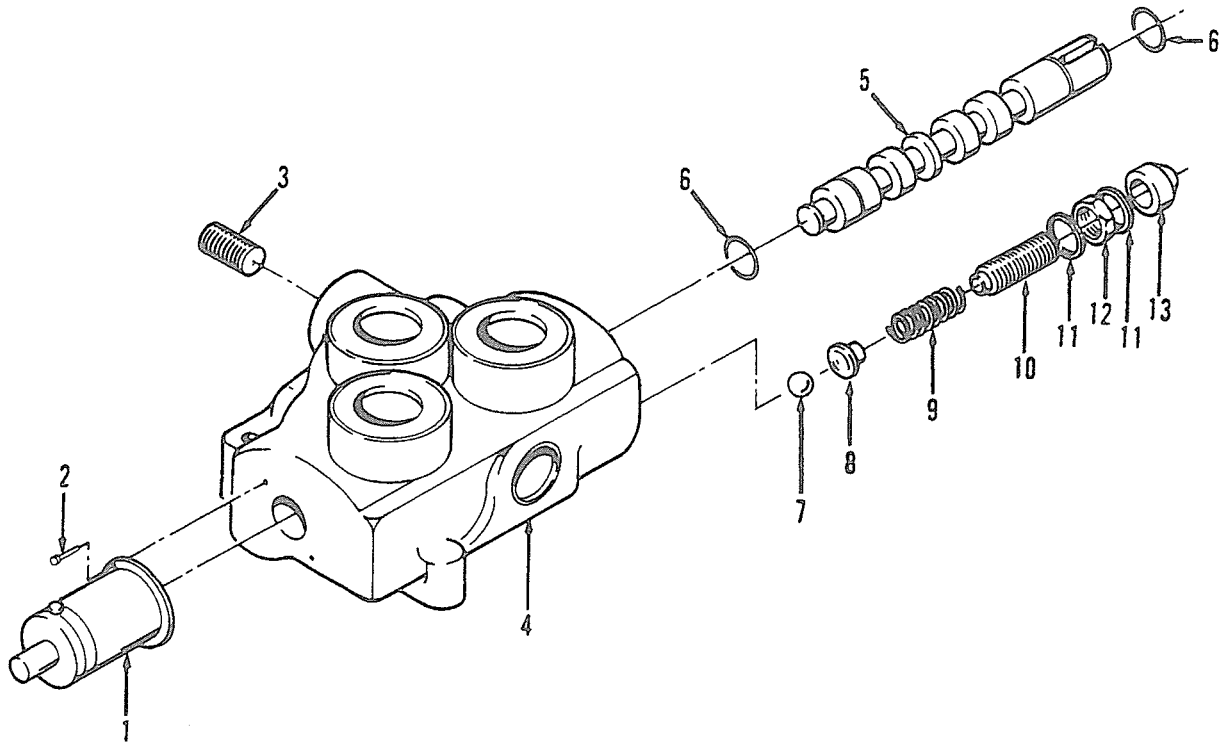
NOTE	REF NO	PART NUMBER	QTY	PART NAME	NOTE	REF NO	PART NUMBER	QTY	PART NAME
N	1	7X5119	2	PLUG					
	2	OL1178	8	BOLT (3/4-10X2IN)					
	3	7X8916	1	HOUSING					
	4	774370	1	O-RING					
	5	773308	1	BEARING					
B	6	774684		SHIM					
	7	776554	1	RETAINER					
N	8	772981	4	BOLT (3/8-1.25IN)					
	9	982160	1	SHAFT					
	10	774988	2	SLINGER S/N 6ZD1 THRU 6ZD175					
N	11	772981	4	BOLT (3/8-1.25IN)					
	12	776554	1	RETAINER					
	13	773308	1	BEARING					
N	14	OL1178	8	BOLT (3/4-10X2IN)					
	15	982233	1	HOUSING					
	16	775759	1	COUPLING					
N	17	774673	4	BOLT (3/8-1.5IN)					
	18	7X8914	1	PLUG					
	19	7X8915	1	PLUG					

N-SEE HARDWARE CHART
B-USE AS REQUIRED

R-479882 EP

7R9523 DRUM AS-SMOOTH-PART 4 OF 4
S/N 6ZD1-207

DRUM



NOTE	REF NO	PART NUMBER	QTY	PART NAME	NOTE	REF NO	PART NUMBER	QTY	PART NAME
	1	7X5872	1	DETENT					
	2	7X9539	2	SCREW					
	3	7X5873	1	PLUG					
Z	4		1	BODY					
Z	5		1	SPOOL					
	6	776277	2	O-RING					
J	7	7X5879	1	BALL					
J	8	7X5878	1	RETAINER					
J	9	7X5877	1	SPRING					
J	10	7X5876	1	SCREW					
J	11	778439	2	GASKET					
J	12	7X5875	1	NUT					
J	13	7X5874	1	CAP					
				THE FOLLOWING REPAIR KITS ARE AVAILABLE:					
		774493	1	KIT-HANDLE					
		7R8853	1	HANDLE					
		7R4755	1	KIT-LINKAGE					

J-PART OF 780123 RELIEF
VALVE GROUP
Z-NOT SERVICED SEPARATELY

R-491071 EP

777187 VALVE GP-HYDRAULIC CONTROL
S/N 7AD1-Up & 7BD1-Up
Part Of 8C0070 Blade-Leveling
An Attachment

CLICK HERE TO **DOWNLOAD** THE COMPLETE MANUAL

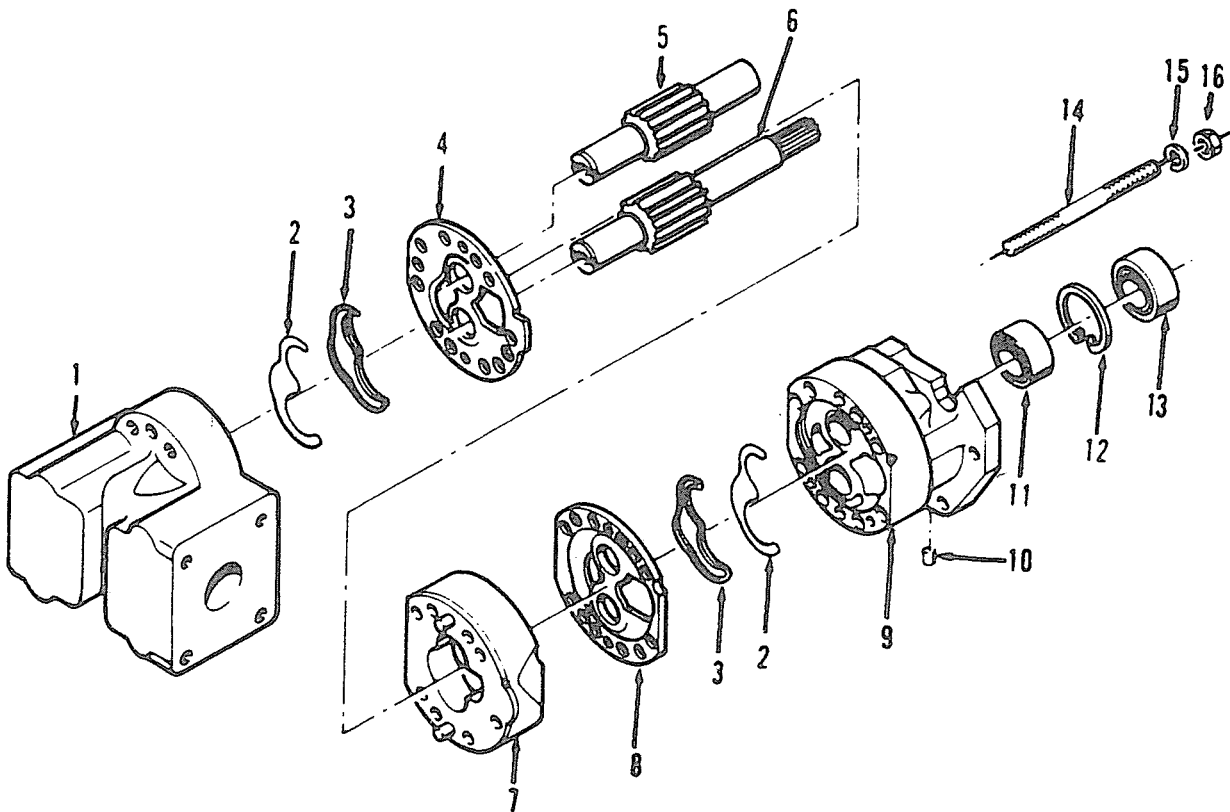
- Thank you very much for reading the preview of the manual.
- You can download the complete manual from: www.heydownloads.com by clicking the link below



- Please note: If there is no response to CLICKING the link, please download this PDF first and then click on it.

CLICK HERE TO **DOWNLOAD** THE COMPLETE MANUAL

VIBRATORY



NOTE	REF NO	PART NUMBER	QTY	PART NAME	NOTE	REF NO	PART NUMBER	QTY	PART NAME
	1	7X8926	1	COVER (REAR)					
ZJ	2		2	GLAND-SEAL					
ZJ	3		2	RETAINER-SEAL					
	4	7X8927	1	PLATE					
	5	7X8928	1	GEAR					
	6	7X8929	1	GEAR					
	7	7X8930	1	SECTION					
	8	7X8935	1	PLATE					
	9	7X8934	1	COVER (FRONT)					
	10	7X8925	1	PLUG					
ZJ	11		1	SEAL-SHAFT					
ZJ	12		1	RING-RETAINING					
ZJ	13		1	SEAL-SHAFT					
	14	7X8931	8	STUD					
	15	7X8933	8	WASHER					
	16	7X8932	8	NUT					
		546954	1	THE FOLLOWING REPAIR KIT IS AVAILABLE: KIT-SEAL (INCL PARTS MARKED J)					

Z-NOT SERVICED SEPARATELY

M-478837 EP

780410 PUMP GP-HYDRAULIC
S/N 6ZD1-220, 7AD1-Up & 7BD1-Up
Part Of 7R6495 Vibratory

FRAME

NOTE	REF NO	PART NUMBER	QTY	PART NAME	NOTE	REF NO	PART NUMBER	QTY	PART NAME
N	1	7X8980	1	PANEL-RH		44	778047	1	GASKET
	2	773289	12	SCREW (3/8-1IN)	N	45	9B7237	4	BOLT (3/8-16X1.25IN)
	3	7X8996	1	SHROUD		46	7X8972	1	COVER
N	4	9B7237	3	BOLT (3/8-16X1.25IN)	N	47	7X7182	2	BOLT (1/2-1.25IN)
	5	7X9891	1	PANEL					S/N 7AD1 THRU 7AD126, S/N 7BD1 THRU 7BD35, S/N 6ZD1 THRU 6ZD146
L	6	773292	4	LATCH					
	7	982611	4	NUT					
N	8	8T5391	4	BOLT (5/16-18X.5IN)		48	7X8975	1	COVER S/N 7AD127-UP, S/N 7BD36-UP, S/N 6ZD147-UP
L	9	982156	1	PANEL					
L	10	981783	2	HANDLE					
	11	982662	4	SCREW	N	49	5S7349	4	BOLT (1/4-20X.5IN)
N	12	773289	6	SCREW (3/8-1IN)					S/N 7AD127-UP, S/N 7BD36-UP, S/N 6ZD147-UP
	13	773292	2	LATCH					
N	14	9B7237	1	BOLT (3/8-16X1.25IN)					
	15	982230	1	PANEL					
N	16	4J8265	2	NUT (3/8-16 THD)		50	775474	1	CAP
				S/N 7AD127-UP, S/N 7BD36-UP, S/N 6ZD147-UP		51	7X8982	1	PANEL
	17	7X8973	2	BRACKET S/N 7AD127-UP, 7BD36-UP, 6ZD147-UP	N	52	7X8974	1	PLUG
						53	8T4835	3	BOLT (1/2-13X2IN)
						54	7X8983	1	TANK (HYDRAULIC)
					N	55	773289	3	SCREW (3/8-1IN)
						56	773515	1	COVER
N	18	776553	1	PANEL		57	446112	1	BREATHING (HYD TANK)
	19	773289	6	SCREW (3/8-1IN)		58	775200	1	GAUGE-SIGHT
	20	980183	1	CONE AS		59	822764	2	O-RING
	21	7X8978	1	PANEL	N	60	8T8919	2	BOLT (1/2-13X1.75IN)
N	22	773289	4	SCREW (3/8-1IN)	L	61	773292	1	LATCH
N	23	773289	2	SCREW (3/8-1IN)		62	7X9540	1	PANEL
N	24	9B7237	8	BOLT (3/8-16X1.25IN)					L-SEE OPERATOR PLATFORM KITS 7X8993, 7X8994, 7X9550 & 7X9549
	25	780401	1	LATCH					
	26	9X0570	1	PIN					
	27	776954	1	PIN					
	28	818169	1	PIN AS					
	29	980171	1	STEP S/N 7BD27-UP, S/N 7AD107-UP, S/N 6ZD129-UP					
		7X8979	1	STEP S/N 7BD1 THRU 7BD26, S/N 7AD1 THRU 7AD106, S/N 6ZD1 THRU 6ZD128					
N	30	8T8919	2	BOLT (1/2-13X1.75IN)					
	31	822795	4	NUT					
	32	7X8977	2	MOUNT					
	33	9V4786	2	CLIP-SAFETY					
	34	9V4787	4	STUD-BALL					
	35	779432	2	SPRING					
	36	773135	2	NUT					
N	37	4M6425	4	BOLT (5/16-18X1IN)					
A	38	7X8985	1	FRAME S/N 7BD36-UP, S/N 7AD127-UP, S/N 6ZD147-UP					
A		7X8984	1	FRAME S/N 7AD1 THRU 7AD126, S/N 7BD1 THRU 7BD35, S/N 6ZD1 THRU 6ZD146					
N	39	9B7237	7	BOLT (3/8-16X1.25IN)					
	40	47270	1	NIPPLE S/N 7AD127-UP, S/N 7BD36-UP, S/N 6ZD147-UP					
		7X5133	1	PLUG S/N 7AD1 THRU 7AD126, S/N 7BD1 THRU 7BD35, S/N 6ZD1 THRU 6ZD146					
	41	9X0508	1	VALVE-DRAIN S/N 7AD127-UP, S/N 7BD36-UP, S/N 6ZD147-UP					
	42	4J8265	8	NUT					
	43	7X8561	1	COVER					

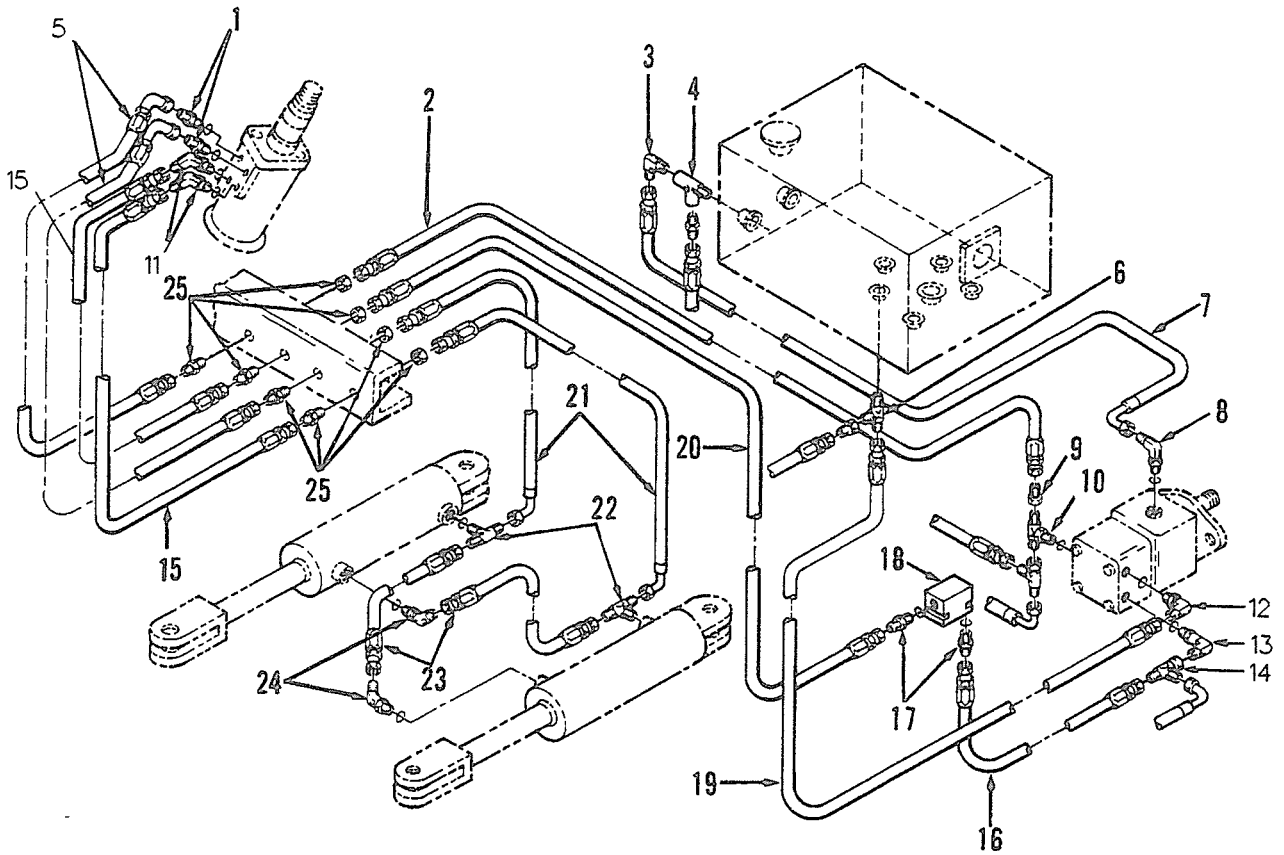
N-SEE HARDWARE CHART
A-NOT PART OF THIS GROUP

478669 EP

7R6491 FRAME GP-SHEET METAL-PART 1 OF 3
S/N 6ZD1-165, 7AD1-182 & 7BD1-63

MEMORANDA

STEERING



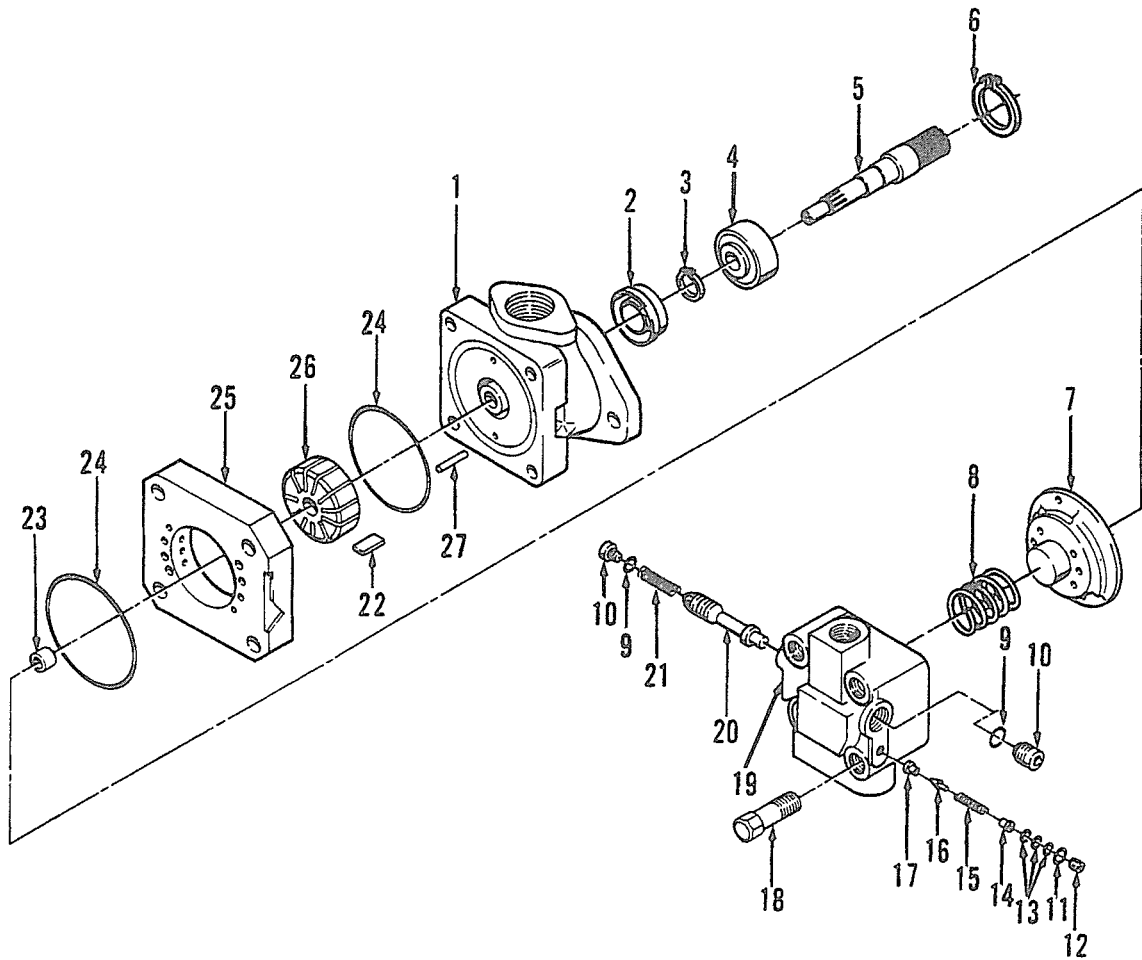
NOTE	REF NO	PART NUMBER	QTY	PART NAME	NOTE	REF NO	PART NUMBER	QTY	PART NAME
J	1	774066	2	CONNECTOR	J	24	307943	2	ELBOW
	2	7X9047	1	HOSE AS		25	980348	4	UNION
	3	777280	1	ELBOW					
	4	7X9057	1	TEE					
	5	981975	2	HOSE AS					
	6	779703	1	TEE					
	7	7X9046	1	HOSE AS					
J	8	7X9048	1	ELBOW					
	9	980316	1	REDUCER					
JL	10	7X9056	1	TEE					
P		779702	1	TEE					
J	11	307948	2	ELBOW					
J	12	307948	1	ELBOW					
J	13	7X9049	1	ELBOW					
	14	779705	1	TEE					
	15	7X9044	2	HOSE AS					
	16	778224	1	HOSE AS					
J	17	774066	2	CONNECTOR					
	18	7X9058	1	VALVE					
		7X9060	1	CARTRIDGE					
		7X9059	1	SEAL					
	19	980297	1	HOSE AS					
	20	7X9045	1	HOSE AS					
	21	778025	2	HOSE AS					
J	22	779701	2	TEE					
	23	980082	2	HOSE AS					

J-SEE O-RING CHART
 L-USED WITHOUT BLADE OPTION
 P-USED WITH BLADE OPTION

R-478952 EP

7R6493 STEERING GP-PART 2 OF 5
 S/N 6ZD1-165, 7AD1-186 & 7BD1-68

STEERING



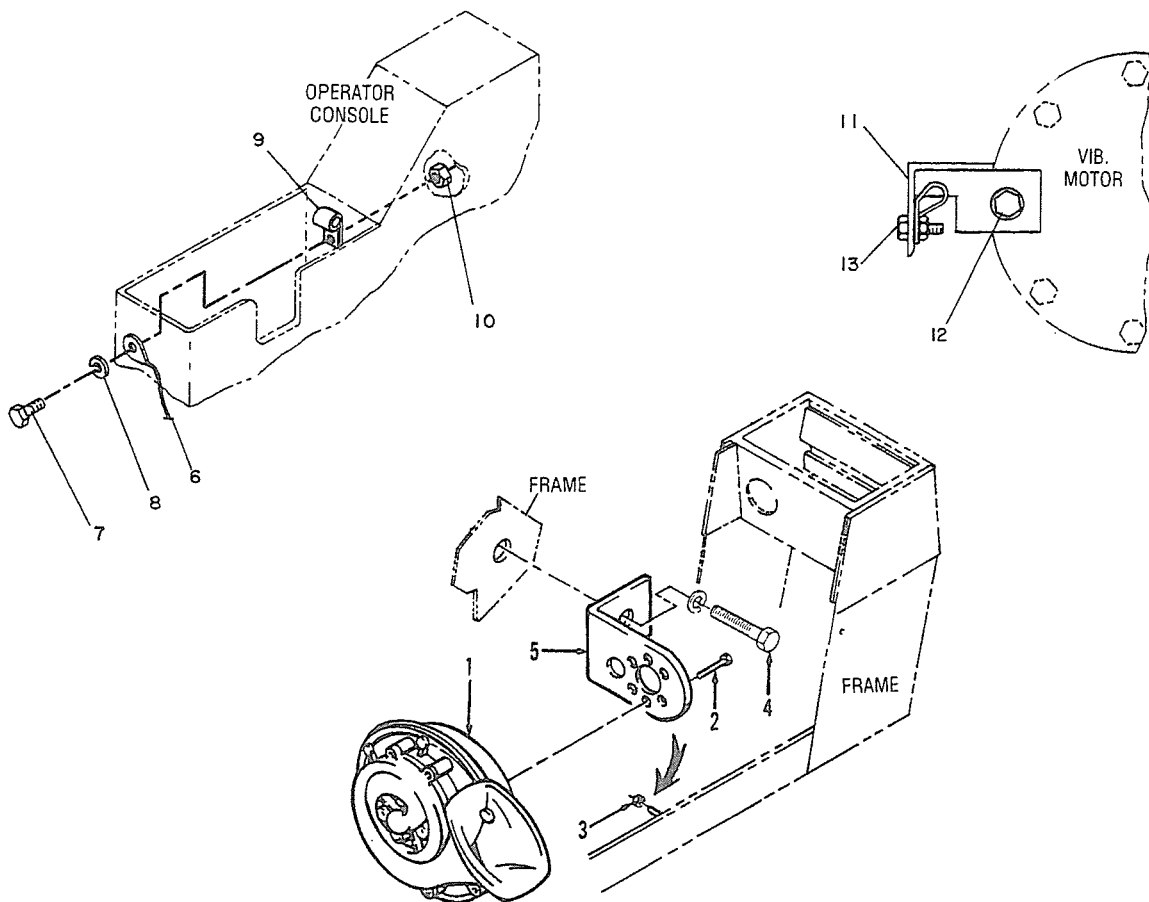
NOTE	REF NO	PART NUMBER	QTY	PART NAME	NOTE	REF NO	PART NUMBER	QTY	PART NAME
	1	7X5391	1	BODY		27	7X9039	2	PIN
LZ	2		1	SEAL					THE FOLLOWING REPAIR KITS ARE AVAILABLE: 774374 1 KIT-SEAL (INCL PARTS MARKED L) 982864 1 KIT-CARTRIDGE (INCL PARTS MARKED N)
	3	7X5389	1	RING					
	4	777405	1	BEARING					
	5	775211	1	SHAFT					
	6	7X5387	1	RING					
	7	7X5388	1	PLATE					
	8	7X5399	1	SPRING					
LZ	9		2	O-RING					
	10	7X5396	2	PLUG					
LZ	11		1	O-RING					
	12	7X5398	1	PLUG					
	13	780647	1	KIT-SHIM					
	14	780645	1	GUIDE-SPRING					
	15	780640	1	SPRING					
	16	780644	1	PISTON					
	17	779855	1	SEAT					
	18	7X9038	4	SCREW					
	19	7X5397	1	COVER					
	20	780643	1	PISTON					
	21	780642	1	SPRING					
NZ	22		1	KIT-VANE					
	23	780641	1	BUSHING					
LNZ	24		2	O-RING					
NZ	25		1	RING					
NZ	26		1	ROTOR					

Z-NOT SERVICED SEPARATELY

R-478963 EP

777316 PUMP GP-HYDRAULIC
Part Of 7R6493 Steering

INSTRUMENTS



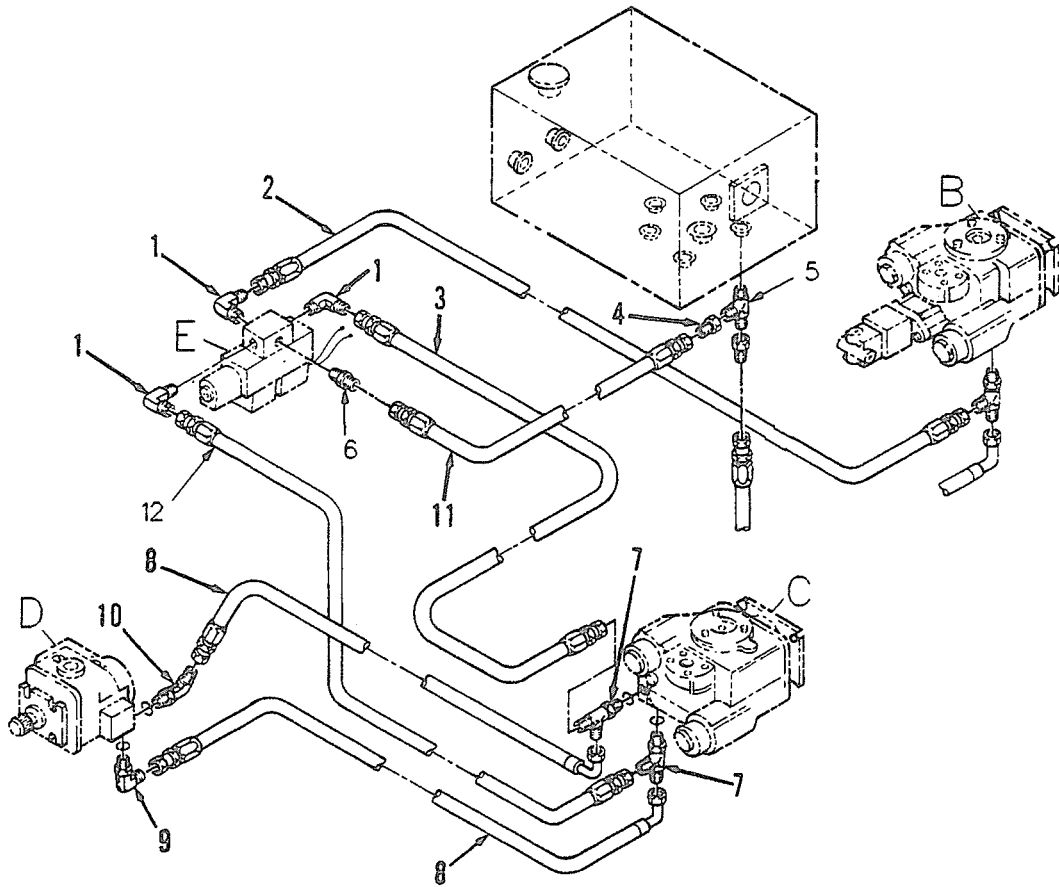
NOTE	REF NO	PART NUMBER	QTY	PART NAME	NOTE	REF NO	PART NUMBER	QTY	PART NAME
N	1	773691	1	HORN					
	2	774721	3	SCREW					
	3	773412	1	NUT					
	4	8T5391	1	BOLT (5/16-18X.5IN)					
	5	777234	1	BRACKET					
	6	9X0929	1	LEAD AS					
	7	775157	1	BOLT					
	8	8C3398	1	LOCKWASHER-INT TOOTH					
	9	779554	1	CLAMP					
	10	773001	1	NUT					
	11	9X0544	1	GUARD (PULSE PICKUP)					
	12	774673	1	BOLT					
	13	778272	1	WASHER					
	773289	1	SCREW						
	772813	1	NUT						
	774454	1	CLAMP-HOSE						

N-SEE HARDWARE CHART

M-480693 EP

7R6492 ELECTRICAL GP-PART 3 OF 3
S/N 6ZD186-210, 7AD419-474 & 7BD191-202

PROPEL



NOTE	REF NO	PART NUMBER	QTY	PART NAME	NOTE	REF NO	PART NUMBER	QTY	PART NAME
	1	774127	3	ELBOW					
	2	818184	1	HOSE AS					
	3	7X8599	1	HOSE AS					
	4	9X0524	1	REDUCER S/N 7AD312-UP S/N 7BD147-UP					
	5	7X9454	1	ELBOW S/N 7AD1 THRU 7AD311 S/N 7BD1 THRU 7BD146					
	6	777266	1	CONNECTOR					
J	7	980342	2	TEE					
	8	7X9453	2	HOSE AS S/N 7AD312-UP, S/N 7BD147-UP					
		7X9452	2	HOSE AS S/N 7AD1 THRU 7AD311 S/N 7BD1 THRU 7BD146					
J	9	774866	1	ELBOW					
J	10	980291	1	ELBOW					
	11	7X9451	1	HOSE AS					
	12	7X8599	1	HOSE AS					

J-SEE O-RING CHART

R-479896 EP

7R6494 PROPEL GP-PART 3 OF 4
S/N 7AD1-438 & 7BD1-195

PROPEL

NOTE	REF NO	PART NUMBER	QTY	PART NAME	NOTE	REF NO	PART NUMBER	QTY	PART NAME
	1	982623	1	PLATE					
N	2	779691	2	BOLT (1/4-1.75IN)					
	3	779246	1	VALVE AS					
	4	984247	1	COIL					
	5	982638	4	O-RING					
	6	7X7141	2	BUSHING					
		7X7142	2	SCREW					
BD		5P6024		WIRE					
	7	9X0939	1	FILTER AS					
		775795	1	ELEMENT					
	8	7X9106	1	MOUNT					
	9	772981	4	BOLT (3/8-1.25IN)					
N	10	7R5862	1	VALVE GP-FLOW DIVIDER					
CY		7R5864	1	SPOOL AS					
Y	11	7X5637	1	VALVE GP-RELIEF					
N	12	773289	4	SCREW (3/8-1IN)					
Y	13	984195	1	PUMP GP-HYDRAULIC					
	14	777328	8	BOLT					
	15	7D1649	12	WASHER					
	16	772885	1	O-RING					
	17	776606	1	COUPLING					
N	18	779150	11	BOLT					
	19	980321	1	O-RING					
Y	20	9X0498	1	MOTOR GP-HYDRAULIC					
	21	773013	4	BOLT					
Y	22	9X0499	1	MOTOR GP-HYDRAULIC					
N	23	775721	4	BOLT (3/8-.75IN)					
	24	773462	24	BOLT					
	25	773630	24	WASHER					
	26	7X5382	11	WASHER					
A	27	980186	1	MOUNT					

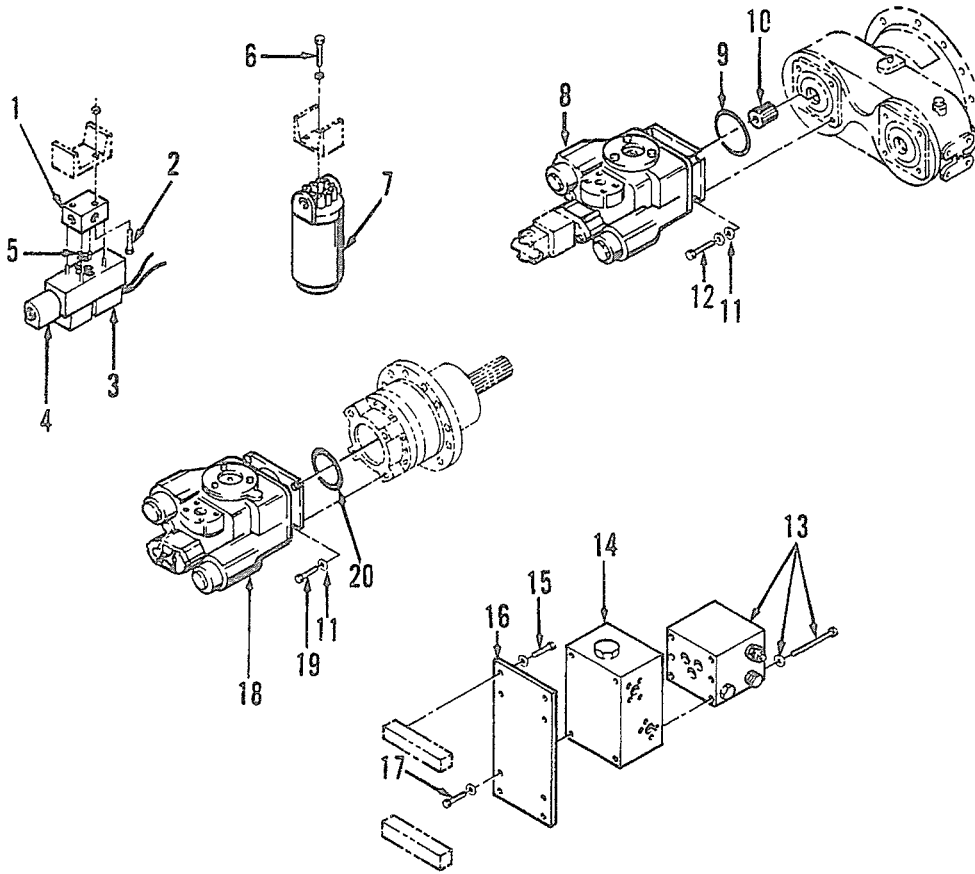
N-SEE HARDWARE CHART
A-NOT PART OF THIS GROUP
B-USE AS REQUIRED
C-CHANGE FROM PREVIOUS TYPE
D-ORDER BY THE METER
Y-SEPARATE ILLUSTRATION

479909 EP

7R6494 PROPEL GP-PART 1 OF 4
S/N 7BD196-202

7R5864-Page 205, 7X5637-Page 220, 7R5862-Page 221,
9X0498-Page 228, 9X0499-Page 224 & 984195-Page 236

PROPEL



NOTE	REF NO	PART NUMBER	QTY	PART NAME	NOTE	REF NO	PART NUMBER	QTY	PART NAME
	1	982623	1	PLATE					
	2	779691	2	BOLT					
	3	779246	1	VALVE AS					
	4	984247	1	COIL					
	5	982638	4	O-RING					
N	6	775721	4	BOLT (3/8-.75IN)	L		5E2046	1	THE FOLLOWING UPDATE KIT IS AVAILABLE:
L	7	9X0939	1	FILTER AS S/N 6ZD155-UP S/N 6ZD1-6ZD154					KIT-OIL FILTER S/N 6ZD1-154
		775795	1	ELEMENT S/N 6ZD155-UP S/N 6ZD1-6ZD154					
Y	8	980197	1	PUMP GP-HYDRAULIC					
	9	772885	1	O-RING					
	10	776606	1	COUPLING					
	11	7D1649	8	WASHER					
	12	777328	4	BOLT					
Y	13	7X5637	1	VALVE GP-RELIEF					
Y	14	7X8449	1	VALVE GP-FLOW DIVIDER					
N	15	772981	4	BOLT (3/8-1.25IN)					
	16	7X9106	1	MOUNT					
N	17	773289	4	SCREW (3/8-1IN)					
Y	18	7X8711	1	MOTOR GP-HYDRAULIC					
Y		5E4916	1	MOTOR GP-HYDRAULIC					
	19	777328	4	BOLT					
	20	980321	1	O-RING					
		772885	1	O-RING S/N 6ZD1 THRU 6ZD178					

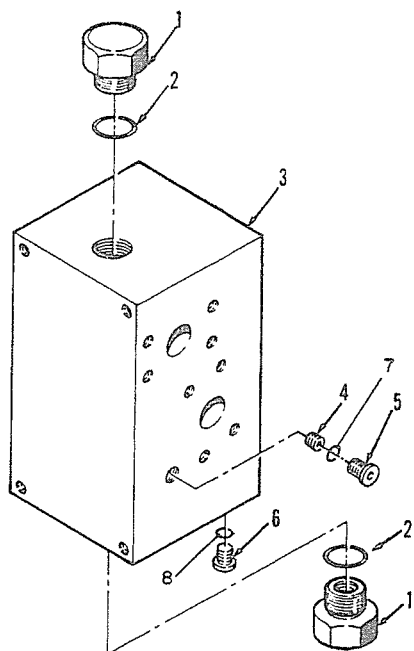
N-SEE HARDWARE CHART
Y-SEPARATE ILLUSTRATION

R-479847 EP

7R6502 PROPEL GP-PART 4 OF 4
S/N 6ZD1-178

7X5637-Page 219, 7X8449-Page 221, 5E4916-Page 230,
7X8711-Page 232 & 980197-Page 240

PROPEL

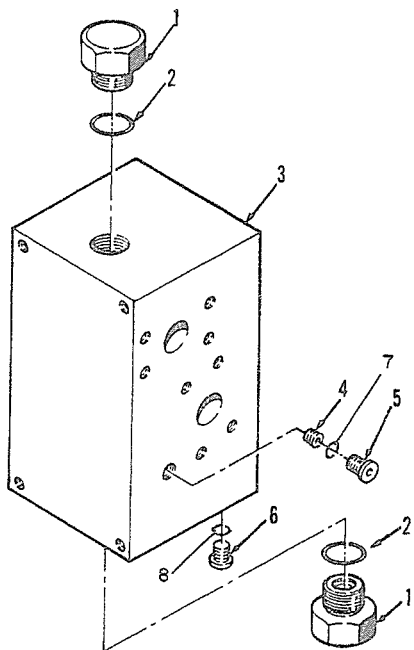


NOTE	REF NO	PART NUMBER	QTY	PART NAME
Z	1	871099	2	PLUG
	2	775024	2	SEAL-O-RING
	3		1	BODY-VALVE
	4	871100	1	PLUG
	5	7X8452	1	PLUG-O-RING
	6	7X8453	1	PLUG-O-RING
	7	9X0935	1	SEAL-O-RING
	8	9X0934	1	SEAL-O-RING

Z-NOT SERVICED SEPARATELY

M-501433 EP

7X8449 VALVE GP-FLOW DIVIDER
 S/N 6ZD1-Up, 7AD1-469 & 7BD1-195
 Part Of 7R6494, 7R6502, 7X8403 Propel & 7X8755 Divider-Flow



NOTE	REF NO	PART NUMBER	QTY	PART NAME
Z	1		2	PLUG
	2	775024	2	SEAL-O-RING
Z	3		1	BODY-VALVE
	4	7R5863	1	PLUG-O-RING
	5	7X8452	1	PLUG-O-RING
	6	7X8453	1	PLUG-O-RING
	7	9X0935	1	SEAL-O-RING
	8	9X0934	1	SEAL-O-RING

Z-NOT SERVICED SEPARATELY

M-479948 EP

7R5862 VALVE GP-FLOW DIVIDER
 S/N 7AD470-Up & 7BD196-Up
 Part Of 7R6494 Propel & 7X8755 Divider-Flow

PROPEL

NOTE	REF NO	PART NUMBER	QTY	PART NAME	NOTE	REF NO	PART NUMBER	QTY	PART NAME
	1	7X9192	3	SCREW		67	7X5422	1	PLUG
	2	7X9193	5	SCREW		68	772930	1	O-RING
	3	983033	8	WASHER		69	778353	2	PIN
	4	7X9229	1	CAP		70	773233	1	GASKET
	5	774578	1	SHIM		71	772930	3	O-RING
	6	773543	1	GASKET		72	7X9320	3	PLUG
	7	774283	1	BEARING-REAR		73	7X9318	1	PLATE
	8	778352	1	PIN		74	773865	9	WASHER
	9	776677	1	PLATE		75	7X9316	9	BOLT
	10	5E4927	1	KIT-CYLINDER BLOCK		76	983077	1	O-RING
	11	776674	1	PLATE		77	7X5426	1	PLUG
	12	983036	1	PILOT		78	773100	1	O-RING
	13	779928	1	RING		79	776675	1	PLUG AS
	14	779929	1	RETAINER					
	15	779930	1	GUIDE					
	16	7X9205	1	SPRING					
	17	7X9201	1	SEAT					
	18	7X9202	1	PIN					
	19	776222	1	CYLINDER BLOCK					
	20	7X9210	6	RETAINER					
	21	7X9203	1	GUIDE					
	22	779931	1	RETAINER					
	23	983037	3	KIT-PISTON					
	24	776676	1	PLATE					
	25	775547	4	SCREW					
	26	777433	2	RETAINER					
	27	778358	2	SLEEVE AS (EACH INCLUDES)					
	28	7X9198	1	SLEEVE					
	29	773096	1	O-RING					
	30	773101	1	O-RING					
	31	5E4928	1	PISTON AS					
	32	778356	1	PISTON					
	33	774199	2	RING					
	34	779926	1	PIN					
	35	5E4929	1	LINK					
	36	7X9317	1	PISTON AS					
	37	778356	1	PISTON					
	38	774199	2	RING					
	39	779926	1	PIN					
	40	7X9212	1	LINK					
	41	7X9204	1	SWASHPLATE					
	42	779926	2	PIN					
	43	774199	4	RING					
	44	7X9315	1	SHAFT					
	45	775842	1	BEARING-FRONT					
	46	774879	1	GASKET					
	47	778353	2	PIN					
	48	7X9196	1	COVER					
	49	983033	12	WASHER					
	50	7X9197	12	BOLT					
	51	773225	1	KIT-SEAL					
Z	52		2	O-RING					
Z	53		1	KIT-SEAL					
Z	54		6	SPRING-SEAL					
Z	55		1	O-RING					
Z	56		1	RETAINER					
Z	57		1	RING-RETAINING					
	58	7X5848	6	SCREW					
	59	983033	6	WASHER					
	60	7X9195	2	TRUNNION					
	61	773544	2	SHIM					
	62	773399	2	O-RING					
	63	775544	2	BEARING					
	64	7X9194	1	HOUSING					
	65	776675	1	PLUG AS					
	66	773100	1	O-RING					

Z-NOT SERVICED SEPARATELY

479853 EP

5E4916 MOTOR GP-HYDRAULIC
S/N 6ZD1-175
Part Of 7R6502 Propel

PROPEL

NOTE	REF NO	PART NUMBER	QTY	PART NAME	NOTE	REF NO	PART NUMBER	QTY	PART NAME
	1	983081	1	PUMP AS	Z	65		1	RING-RETAINING
	2	5E4922	4	SCREW		66	7X9329	6	BOLT
	3	983033	4	WASHER		67	983039	6	WASHER
Z	4		1	PUMP-CHARGE		68	7X9345	2	TRUNNION
	5	7X9220	1	PILOT		69	7X9354	2	KIT-SHIM
	6	779949	1	GASKET		70	983078	2	O-RING
	7	983080	1	COUPLING		71	7X9353	2	BEARING
	8	774745	2	KIT-VALVE (EACH INCLUDES)		72	7X9349	1	HOUSING
	9	775837	1	O-RING		73	776675	1	PLUG AS
	10	7X9192	3	SCREW		74	773100	1	O-RING
	11	7X9193	5	SCREW		75	7X5422	1	PLUG
	12	983033	8	WASHER		76	772930	1	O-RING
	13	5E4921	1	CAP		77	778353	2	PIN
	14	983048	1	KIT-SHIM		78	779925	2	RING
	15	983047	1	GASKET		79	983034	1	PIN
	16	983051	1	BEARING		80	7X9218	1	LINK
	17	778352	1	PIN		81	7X9224	1	KIT-CONTROL VALVE
	18	5E4920	1	PLATE		82	773233	1	GASKET
	19	983055	1	KIT-CYLINDER BLOCK		83	772930	3	O-RING
	20	983070	1	PLATE	Z	84	775838	1	PLUG
	21	7X9339	1	PILOT		85		1	VALVE-CONTROL
	22	7X9332	1	PLATE		86	776221	1	SPACER
	23	7X9335	1	RETAINER		87	774480	1	HANDLE
	24	7X9336	1	GUIDE		88	777431	1	WASHER
	25	5E2726	1	SPRING		89	778355	1	NUT
	26	7X9334	1	SEAT		90	7X9213	1	NUT
	27	7X9333	1	PIN		91	776225	1	SWITCH
	28	7X8717	1	CYLINDER BLOCK AS		92	773865	9	WASHER
	29	7X9341	6	SPRING		93	778354	9	BOLT
	30	7X9337	1	GUIDE					
	31	7X9338	1	RETAINER					
	32	7X9340	9	PISTON					
	33	7X9348	1	PLATE					
	34	775547	4	SCREW					
	35	7X9326	2	RETAINER					
	36	7X9330	2	KIT-SERVO SLEEVE (EACH INCLUDES)					
	37	7X9352	1	SLEEVE					
	38	983045	1	O-RING					
	39	983046	1	O-RING					
	40	5E4917	2	PISTON AS (EACH INCLUDES)					
	41	5E4924	1	SCREW					
	42	5E4918	1	WASHER					
	43	5E4923	1	GUIDE					
	44	5E4919	1	SPRING					
	45	7X9344	1	PISTON					
	46	7X9328	1	PIN					
	47	7X9327	2	RING					
	48	7X9343	1	LINK					
	49	7X9347	1	SWASHPLATE					
	50	7X9328	2	PIN					
	51	7X9327	2	RING					
	52	5E4925	1	SHAFT					
	53	983050	1	BEARING					
	54	983079	1	GASKET					
	55	778353	2	PIN					
	56	7X9346	1	COVER					
	57	983033	12	WASHER					
	58	7X9197	12	BOLT					
	59	773225	1	KIT-SEAL					
Z	60		2	O-RING					
Z	61		1	KIT-SEAL					
Z	62		6	SPRING					
Z	63		1	O-RING					
Z	64		1	RETAINER					

Z-NOT SERVICED SEPARATELY

479860 EP

980197 PUMP GP-HYDRAULIC
S/N 6ZD1-184
Part Of 7R6502 & 7X8403 Propel

PROPEL

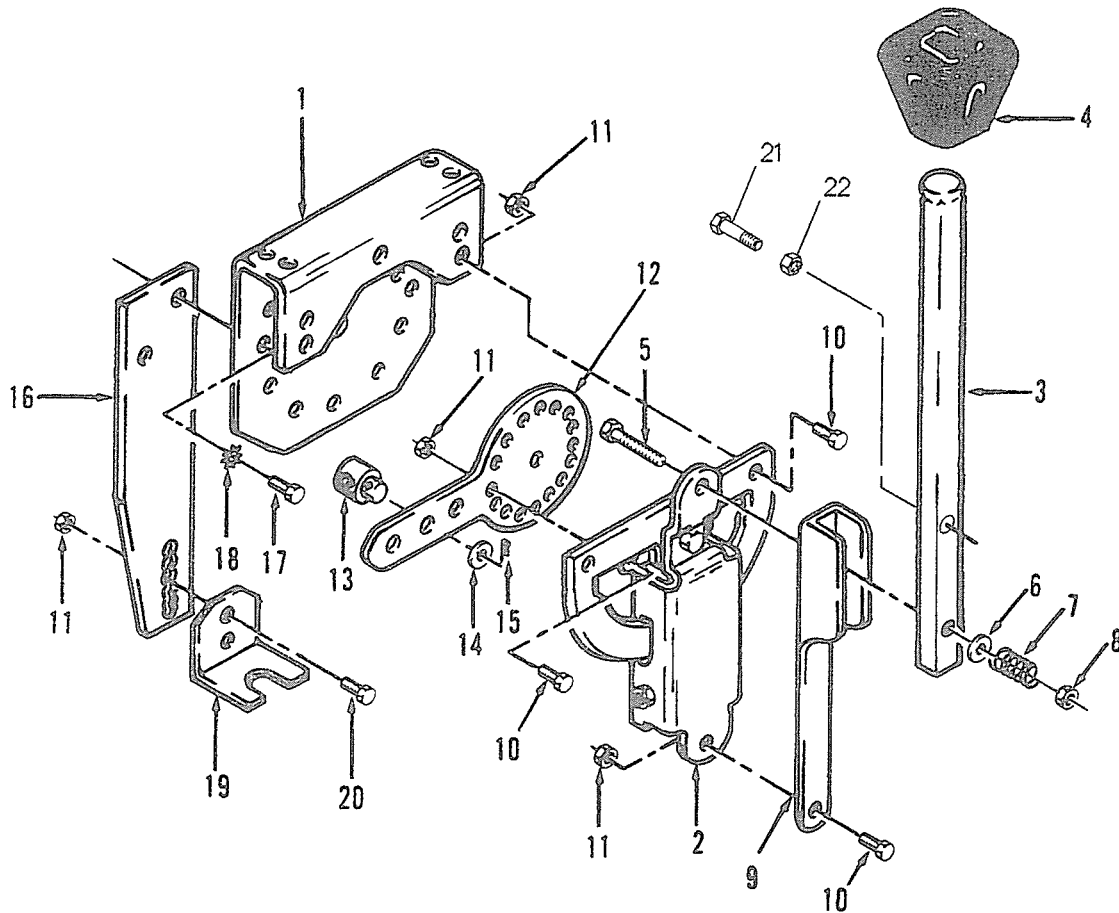
NOTE	REF NO	PART NUMBER	QTY	PART NAME	NOTE	REF NO	PART NUMBER	QTY	PART NAME
	1	776622	1	O-RING		48	982987	3	BEARING
	2	777244	1	RING		49	982986	3	GEAR (PLANET)
	3	777323	1	O-RING		50	982984	1	BEARING
P	4	7X9364	1	RING	B	51	982983		SHIM (1.1MM THK)
P	5	5E2667	1	DISK	B		7X9407		SHIM (1.2MM THK)
P	6	982940	10	SPRING	B		7X9417		SHIM (1.3MM THK)
P	7	982941	10	SPRING	B		7X9418		SHIM (1.4MM THK)
P	8	982943	1	GASKET	B		982982		SHIM (1.5MM THK)
P	9	982942	1	PISTON	B		7X9419		SHIM (1.6MM THK)
P	10	982944	1	GASKET	B		7X9420		SHIM (1.7MM THK)
P	11	982945	4	BOLT	B		7X9421		SHIM (1.8MM THK)
P	12	7X8714	1	HOUSING	B		7X9422		SHIM (1.9MM THK)
P	13	982946	1	GASKET	B		982981		SHIM (2 MM THK)
	14	982973	2	PLUG		52	7X9406	1	CARRIER
	15	982972	2	RING		53	982971	10	BOLT
	16	982976	1	GASKET		54	7X9424	1	HOUSING
	17	982964	1	BEVEL GEAR SET AS		55	7X9426	1	PLUG
	18	7X9402	2	BEARING		56	7X9425	1	RING
B	19	7X9413		WASHER (1 MM THK)		57	982963	1	BEARING
B		7X9414		WASHER (.3MM THK)	B	58	982954		SHIM (1 MM THK)
B		7X9415		WASHER (.2MM THK)	B		982955		SHIM (1.1MM THK)
B		7X9416		WASHER (.1MM THK)	B		982956		SHIM (1.2MM THK)
	20	982969	1	FLANGE	B		982957		SHIM (1.3MM THK)
	21	7X9403	4	BOLT	B		982958		SHIM (1.4MM THK)
	22	982970	1	NUT	B		982959		SHIM (1.5MM THK)
	23	7X9404	1	HOUSING	B		982960		SHIM (1.6MM THK)
	24	982989	1	SHAFT	B		982961		SHIM (1.7MM THK)
	25	982984	1	BEARING	B		982962		SHIM (1.8MM THK)
	26	982980	1	NUT		59	982975	2	STUD
	27	7X9405	1	RING		60	982953	1	BEARING
	28	982999	3	BOLT		61	982952	1	NUT
	29	982998	3	WASHER	P	62	7X9401	1	CARRIER
	30	982997	1	RING	P	63	982947	1	RING
L	31	9X0546	1	SEAL AS	P	64	982951	1	RING
	32	7X8715	1	BREATHER S/N 7AD319-UP	P	65	982950	1	RING
	33	982994	72	ROLLER-BEARING	P	66	982949	10	PLATE
	34	982992	3	RING	P	67	982948	11	PLATE
	35	982993	3	RING	P	68	982974	2	NUT
	36	7X9410	3	PINION					
	37	7X9411	3	PIN					
	38	982995	3	CIRCLIP					
B	39	982979		RING (4 MM THK)			9X0548	1	THE FOLLOWING REPAIR KIT IS AVAILABLE: KIT-BRAKE (INCL PARTS MARKED P)
B		983001		RING (4.2MM THK)					
B		983002		RING (4.4MM THK)					
B		983003		RING (4.6MM THK)					
B		983004		RING (4.8MM THK)					
B		983005		RING (3.8MM THK)					
B		983006		RING (3.2MM THK)					
B		983007		RING (3 MM THK)					
B		983008		RING (2.8MM THK)					
B		983009		RING (2.6MM THK)					
B		983010		RING (2.4MM THK)					
B		983011		RING (2.2MM THK)					
B		983012		RING (2.15MM THK)					
B		983013		RING (2.1MM THK)					
B		983014		RING (2.05MM THK)					
B		983015		RING (2 MM THK)					
B		983016		RING (1.95MM THK)					
B		983017		RING (1.8MM THK)					
	40	982977	2	BEARING (INNER)					
	41	982978	2	BEARING (OUTER)					
	42	982990	1	CARRIER AS					
	43	982991	55	ROLLER					
	44	982966	1	WASHER					
	45	982988	3	RING					
	46	7X9409	3	RING					
	47	982985	6	RING					

L-INSTALLATION TOOL
MUST BE USED
B-USE AS REQUIRED

479968 EP

7X7337 GEAR BOX GP
S/N 7AD319-Up & 7BD133-Up
Part Of 7R6494 Propel & 7R6488 Drive Train

PROPEL

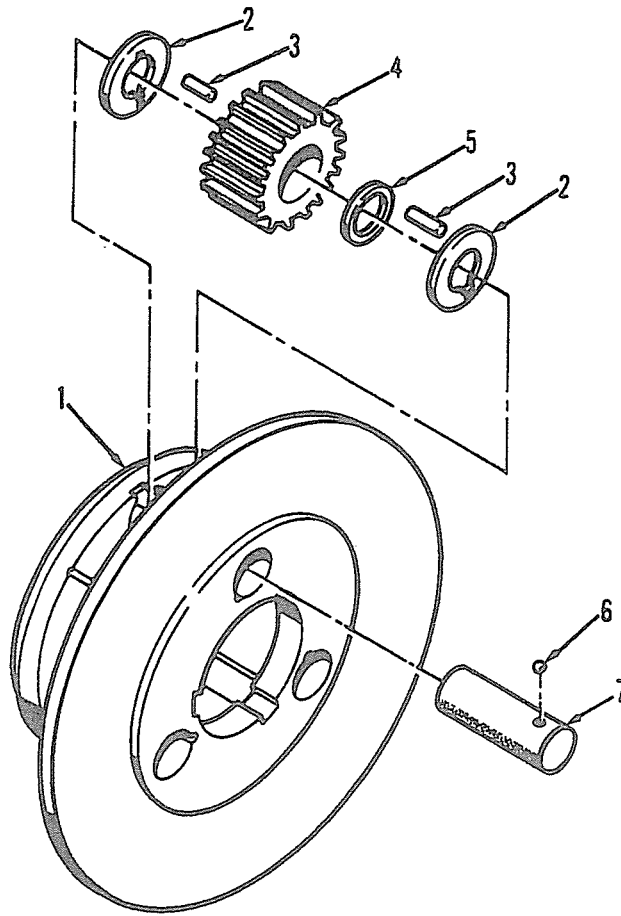


NOTE	REF NO	PART NUMBER	QTY	PART NAME	NOTE	REF NO	PART NUMBER	QTY	PART NAME
	1	7X9108	1	HOUSING					
	2	7X9720	1	CONTROL					
	3	7R8913	1	LEVER (INPUT)					
	4	980356	1	KNOB					
	5	7X9722	1	BOLT					
	6	7X9716	1	WASHER					
	7	7X9719	1	SPRING					
	8	7X9443	1	NUT					
	9	7X9440	1	ADAPTER (INPUT)					
	10	5S7349	5	BOLT					
	11	7X9111	8	NUT					
	12	7X9732	1	LEVER (OUTPUT)					
	13	983602	1	SWIVEL					
	14	983603	1	WASHER					
	15	7X9112	1	PIN					
	16	7X9109	1	STRAP					
	17	6V1322	2	BOLT					
	18	3B4504	2	LOCKWASHER					
	19	7X9110	1	BRACKET					
	20	8T9364	2	BOLT					
	21	7X9714	1	BOLT					
	22	2B2049	1	NUT					

R-478612 EP

7X9184 HANDLE AS-PROPEL
 S/N 6ZD211-Up, 7AD449-Up & 7BD203-Up
 Part Of 7R6497 Control

PROPEL



NOTE	REF NO	PART NUMBER	QTY	PART NAME	NOTE	REF NO	PART NUMBER	QTY	PART NAME
	1	7X9508	2	SPIDER					
	2	774149	12	WASHER					
	3	772815	348	ROLLER					
	4	775266	6	PINION					
	5	7X9507	6	SPACER					
	6	773723	6	BALL					
	7	775267	6	SHAFT					

R-479384 EP

7X9472 CARRIER AS-PLANET
 S/N 6ZD179-Up, 7AD1-154, 160-Up & 7BD1-48, 54-Up
 Part Of 7X9461 Axle

SERVICE EQUIPMENT AND SUPPLIES

1 8T2884 FILM-CATERPILLAR (FRONT)
1 6V7346 FILM-CATERPILLAR (REAR)
2 1P9880 FILM-CAT
2 5P8500 KEY
1 5P7957 LANYARD
4 6V7743 LOCKNUT
1 5P8501 PADLOCK
1 5P9466 PLATE-CAT GENERAL WARNING
2 8C0608 PLATE-"C" CORPORATE SYMBOL
1 6V6636 PLATE-PRODUCT I.D.
1 8T6319 PLATE-SERIAL NUMBER
12 337291 RIVET
1 5P7958 SLEEVE
1 772858 TRIM-MOLDING
1 772988 WALK-SAFETY
2 773083 WALK-SAFETY
1 7X9519 WALK-SAFETY 41"
4 8T4205 WASHER-PLATED

478716 P

7R6505 PAINT & DECAL GP-PART 2 OF 2

PART NUMBER INDEX

Number	Page	Number	Page	Number	Page	Number	Page
6T6121	94		128	7R4549	260		166
	95		129.01	7R4550	260		167
6T9446	97		189	7R4755	125		168
6V1176	28		195	7R5805	205		169
6V1322	259		201		218	7R6494	188
	261		207	7R5862	201		189
6V1857	3		211		218		190
6V2308	3		215		221		191
6V2611	87		217	7R5863	221		192
6V2902	3	7E4728	6	7R5864	189		194
6V2909	3	7E5346	82		195		195
6V3789	3	7E7894	6		201		196
6V5874	280	7F4920	93		205		197
6V6636	281	7F5227	112	7R6488	263		198
6V6894	49		116		264		200
6V7346	281		119.01		265		201
6V7743	281		276	7R6489	138		202
6V8184	264	7F8607	64		139		203
6V8186	27	7H0000	282	7R6490	104		204
6V8376	95		283		105	7R6495	126
	96	7H2079	97		106		127
6V8377	27	7K8332	58		107		128
6V8378	93		59		108		129
6V8645	97		60		109		129.01
6V8918	185	7M0336	93		110		129.02
		7M5839	21		111	7R6496	274
7			22	7R6491	140		275
		7M7219	76		141	7R6497	252
			81		142		253
7C0951	87		86		143		254
7C1493	48		7M7410	23	144		255
7C1599	12	7M7644	24		145		256
7C1651	47	7N1359	72		146		257
7C2112	1		77		148	7R6498	273
	27		72		149	7R6500	273
7C2230	47	7N1364	77		150	7R6501	276
7C2295	13		53		152		277
	14	7N1426	1		153	7R6502	208
7C2296	15	7N4303	44		154		209
	16		9	7R6492	174		210
	17	7N6290	10		175		211
7C2320	15		95		176		212
7C3807	16	7N8882	6		177		213
7C6201	79	7N9803	284		178		214
	84	7R0000	285		179		215
7C6202	79		156		180	7R6503	112
	84	7R0211	158		181		113
7C6351	22		156		182		114
7C6352	22	7R0212	157		183		115
7C6353	20		158		184	7R6505	280
	22		159		185		281
7C6493	3		136	7R6493	160	7R6927	133.01
	45	7R0213	136		161	7R6928	133.01
7C6499	45	7R0214	136		162	7R6929	133.01
7C6660	8	7R0215	136		163	7R6930	133.01
7C8118	25	7R0216	122		164	7R6931	133.01
7D1649	96	7R2743	260		165	7R6932	133.01
	126	7R4546					

PART NUMBER INDEX

Number	Page	Number	Page	Number	Page	Number	Page
9X0883	266		81		162		165
9X0884	266		82		164	772832	99
9X0885	266		83		167		104
9X0886	266		84		169	772833	99
9X0887	266		85				104
9X0888	266		86			772835	190
9X0889	266	9Y0510	77				196
9X0922	122		82	546949	133.01		202
	254	9Y0511	69	546951	133.01		210
	256	9Y0512	69	546954	133		214
9X0923	254		71		133.01	772840	160
	256	9Y0546	82	59702	164		165
9X0924	254	9Y3354	11			772857	30
	256	9Y4966	84				36
9X0926	254	9Y6834	56			772858	281
	256	9Y8572	23	651177	35	772860	139
9X0929	181				41	772873	101
	185	1					103
9X0930	280					772885	126
9X0934	221	16304	162				128
9X0935	221		164	772792	101		129.01
9X0937	149		167		103		189
9X0939	189		169		105		195
	195				109		201
	201				113		211
	207				117		264
	211	306449	94		119.02	772891	131
	215	306816	57	772809	101		132
	217	307943	161		103	772894	264
9X0940	265		163		105	772901	122
9X0941	101		166		109	772930	223
	103		168		113		225
	265	307948	123		117		227
9X0942	265		161		119.02		229
9Y0141	63		163		264		231
9Y0142	63		166		273		233
9Y0143	63		168		276		235
9Y0144	63	310214	73	772813	33		237
9Y0145	62		79		34		238
9Y0146	63	310249	21		39		241
9Y0147	62		22		40		244
9Y0148	63	318759	127		145	772937	131
9Y0300	60		129		149		132
	62		129.02		153	772942	101
9Y0301	60	321270	123		181		103
	63	337291	281		185		106
9Y0303	2	344160	23	772814	122		110
	43	369821	93		126		114
9Y0491	2	369823	93		128		118
	67				129.01		119.03
9Y0492	67				149	772960	105
9Y0509	67				153		109
	71	446112	141		263		113
	77	47270	141		264		117
	78		145		265		119.02
	79		149	772815	271	772961	160
	80		153	772818	160		165

CLICK HERE TO **DOWNLOAD** THE COMPLETE MANUAL

- Thank you very much for reading the preview of the manual.
- You can download the complete manual from: www.heydownloads.com by clicking the link below



- Please note: If there is no response to CLICKING the link, please download this PDF first and then click on it.

CLICK HERE TO **DOWNLOAD** THE COMPLETE MANUAL