

---

# **314C CR Track-Type Excavator**

---

**Powered by 3064 Engine**

**SERIAL NUMBER**

**KHB1 To Last Built(Vehicle)**

**6LK25804 To Last Installed(Engine)**

CLICK HERE TO **DOWNLOAD** THE COMPLETE MANUAL

- Thank you very much for reading the preview of the manual.
- You can download the complete manual from: [www.heydownloads.com](http://www.heydownloads.com) by clicking the link below



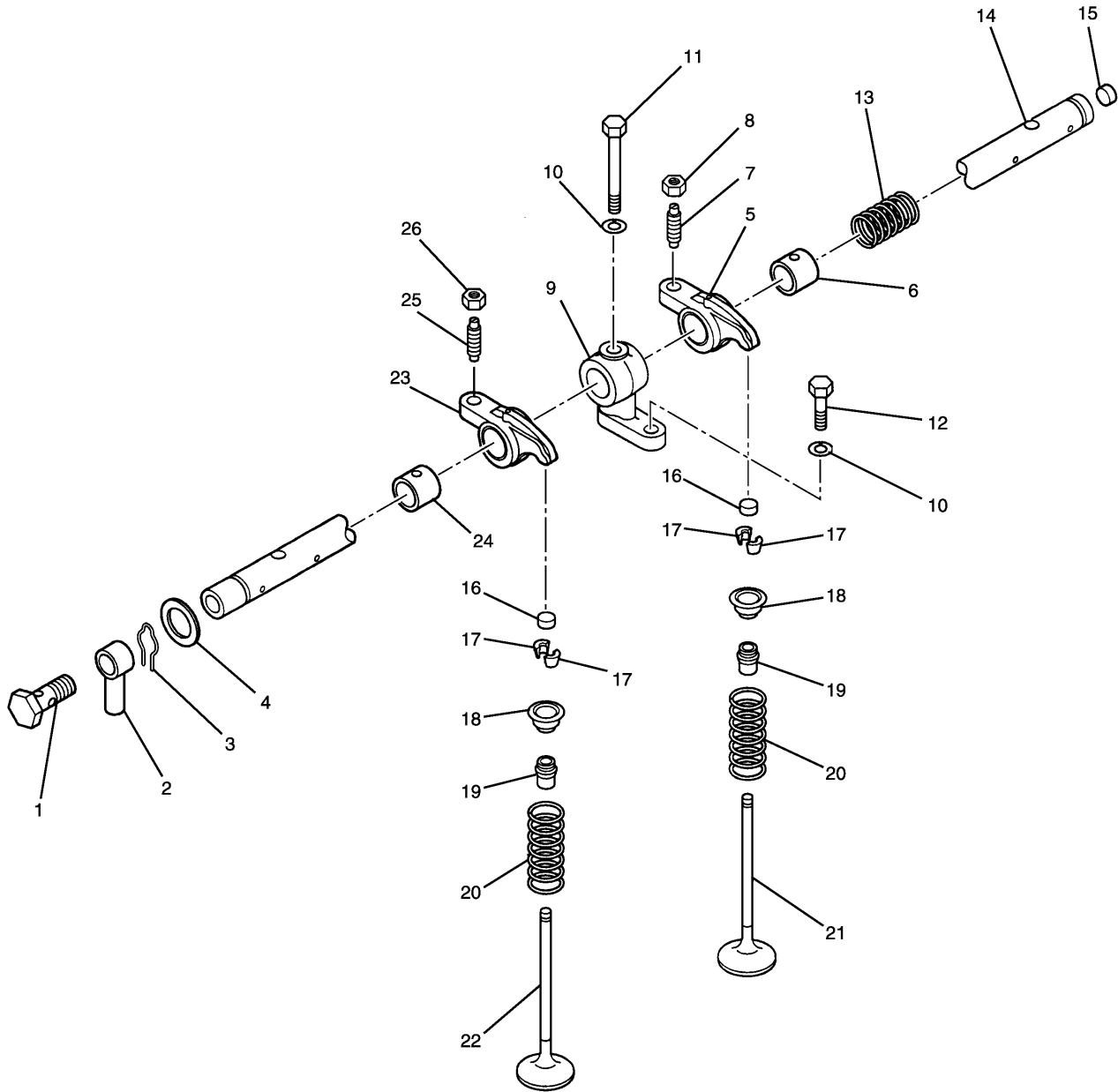
- Please note: If there is no response to CLICKING the link, please download this PDF first and then click on it.

CLICK HERE TO **DOWNLOAD** THE COMPLETE MANUAL

# INDEX

Name	Page	Name	Page
SPROCKET GP - NONSEGMENTED .....	145		
STARTING MOTOR GP - ELECTRIC .....	126		
STICK AR - COUPLER .....	410		
STICK AR - HOE .....	408		
STICK GP .....	419		
	423		
STICK GP - COUPLER.....	420		
	424		
STICK GP - HOE.....	418		
	421		
SUPPORT AS.....	384		
SUPPORT GP - FENDER.....	175		
SUPPORT GP - SEAT .....	383		
SWITCH AS.....	87		
	102		
SWITCH AS - DISCONNECT .....	81		
SWITCH AS - MAGNETIC.....	84		
SWITCH AS - ROTARY .....	104		
SWITCH GP - HEAT START.....	103		
SWIVEL GP .....	298		
 <b>T</b> 			
TANK & FILTER GP - HYDRAULIC.....	196		
TANK & MTG GP - FUEL .....	57		
TANK & MTG GP - HYDRAULIC .....	195		
TANK GP - FUEL.....	58		
TIMER AS.....	92		
	142		
TIP GP .....	453		
TIP GP - ABRASION .....	452		
TIP GP - LONG.....	450		
TIP GP - PENETRATION.....	452		
TIP GP - SHORT .....	451		
TIP GP - WIDE.....	451		
TOOL AR.....	454		
TOOL GP .....	455		
TRACK GP .....	190		
TURBOCHARGER GP .....	55		
		<b>V</b>	
		VALVE & MOUNTING GP.....	311.01
		VALVE AR .....	265
		VALVE AS - BALL .....	353.04
		VALVE GP - CHECK.....	342
		VALVE GP - CONTROL .....	322
			340
		VALVE GP - MAIN CONTROL .....	312
		VALVE GP - MANIFOLD & REDUCING.....	336
		VALVE GP - PILOT.....	300
			346
		VALVE GP - PILOT RELIEF.....	339
		VALVE GP - PRESS REDUCING SOL.....	343
		VALVE GP - PRESSURE REDUCING.....	338
		VALVE GP - REDUCING.....	335
		VALVE GP - RELIEF.....	297.05
			332
		VALVE GP - SHUTTLE.....	344
			353
		VALVE GP - SOLENOID .....	353.01
		VALVE GP - TRACTION CONTROL .....	297.03
		VALVE MECHANISM GP .....	16
		<b>W</b>	
		WASHER GP - WINDOW.....	371
		WINDOW AS .....	368.01
		WINDOW GP .....	368
		WINDOW GP - DOOR .....	365.01
		WIPER GP - WINDOW.....	369
		WIRING GP.....	105
			111.01
			119
		WIRING GP - CAB.....	112
		WIRING GP - CONSOLE .....	93
			109
		WIRING GP - QUICK COUPLER.....	77.01
		WIRING GP - RADIO .....	117

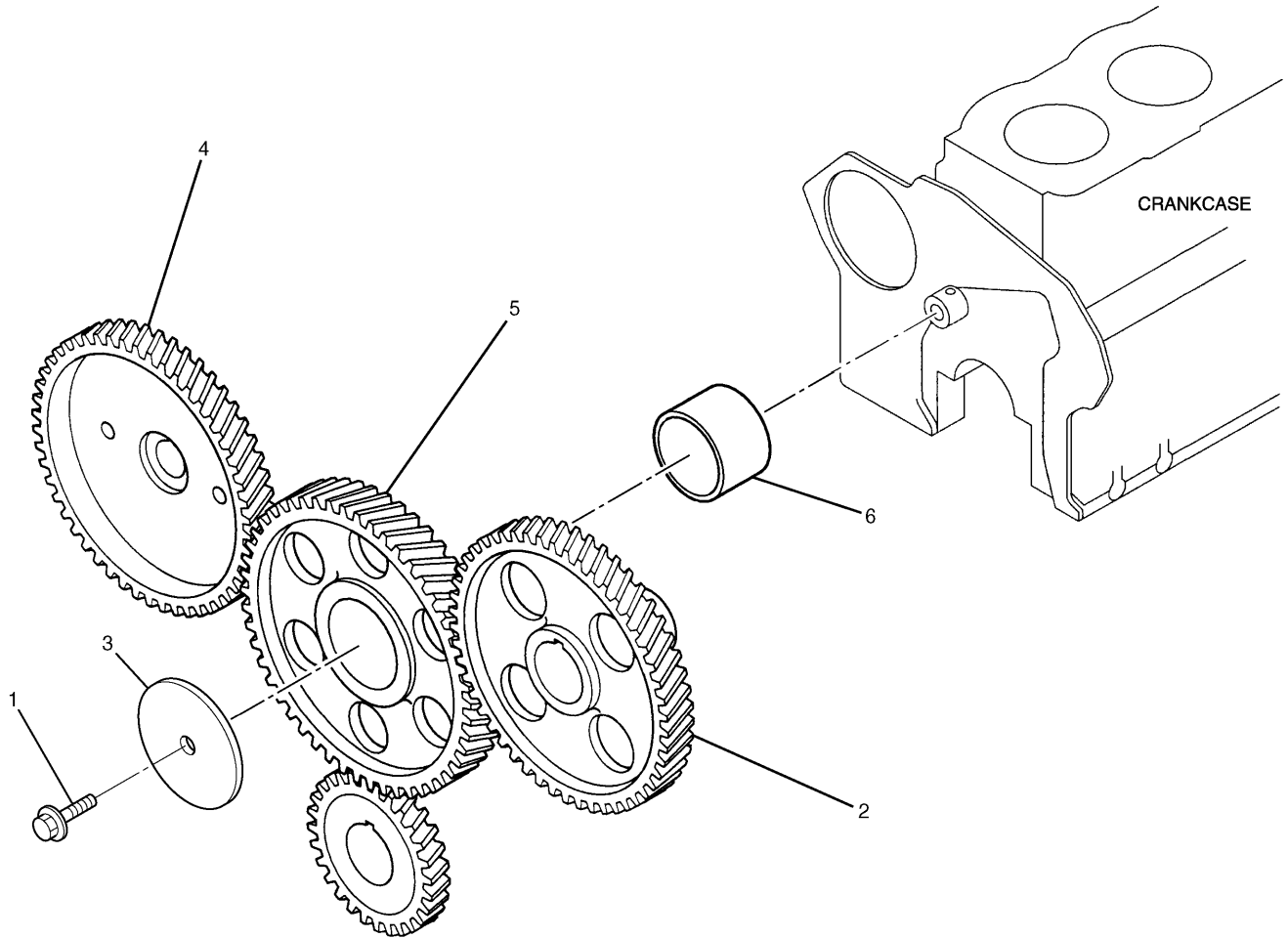
# BASIC ENGINE



H76921E 00

**205-6838 VALVE MECHANISM GP**  
Part of 201-3869-Page12

# BASIC ENGINE

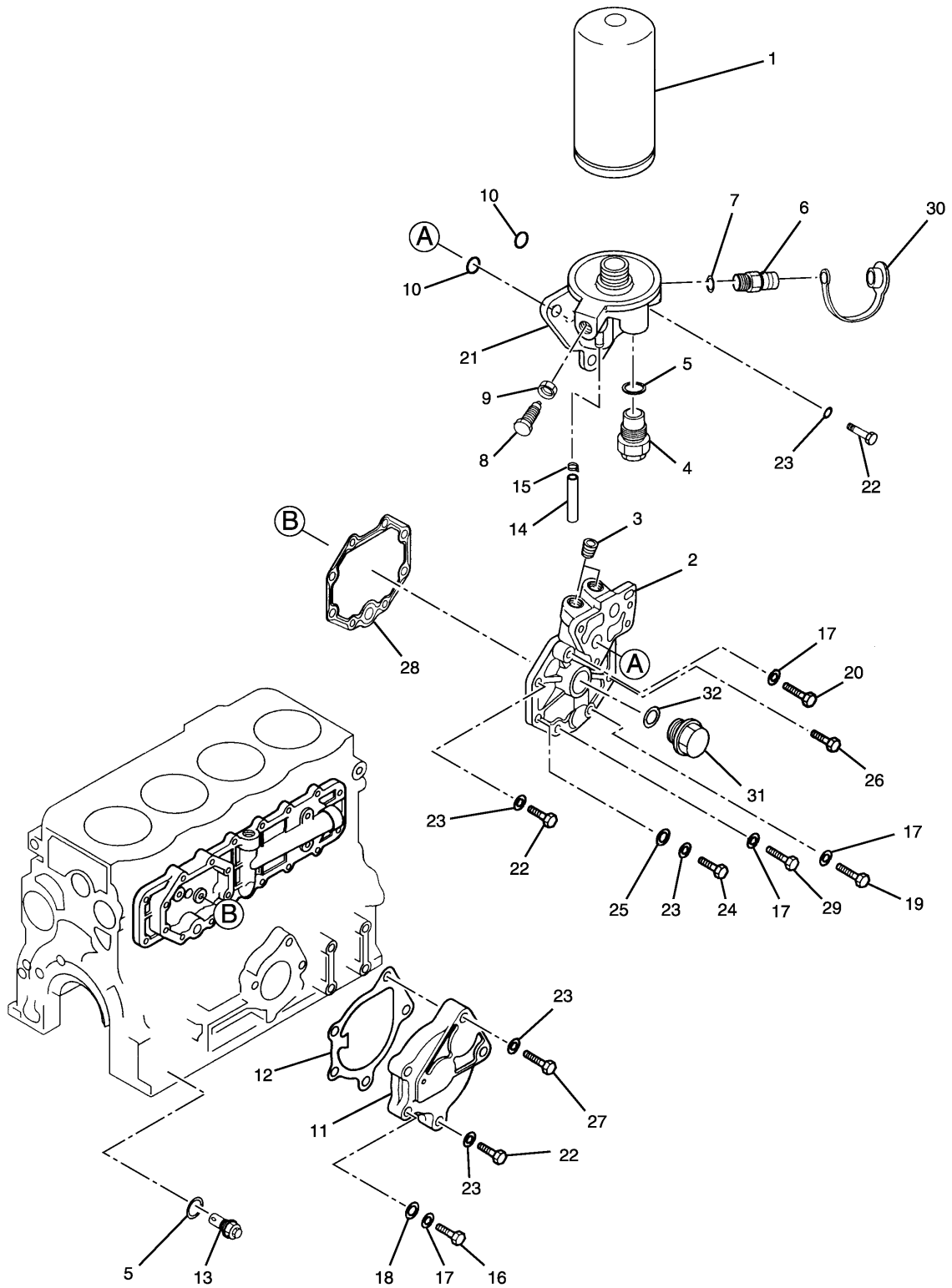


NOTE	No.	PART No.	QTY	PART NAME	NOTE	No.	PART No.	QTY	PART NAME
	1	222-8212	1	BOLT (L=20mm)					
	2	51-7673	1	GEAR (Z=46)					
	3	222-8202	1	PLATE					
	4	178-6550	1	GEAR (Z=46)					
	5	51-7611	1	IDLER AS					
	6	51-7542	1	BUSHING					

H82576E 02

**178-6519 GEAR GP-FRONT**  
Part of 201-3869-Page12

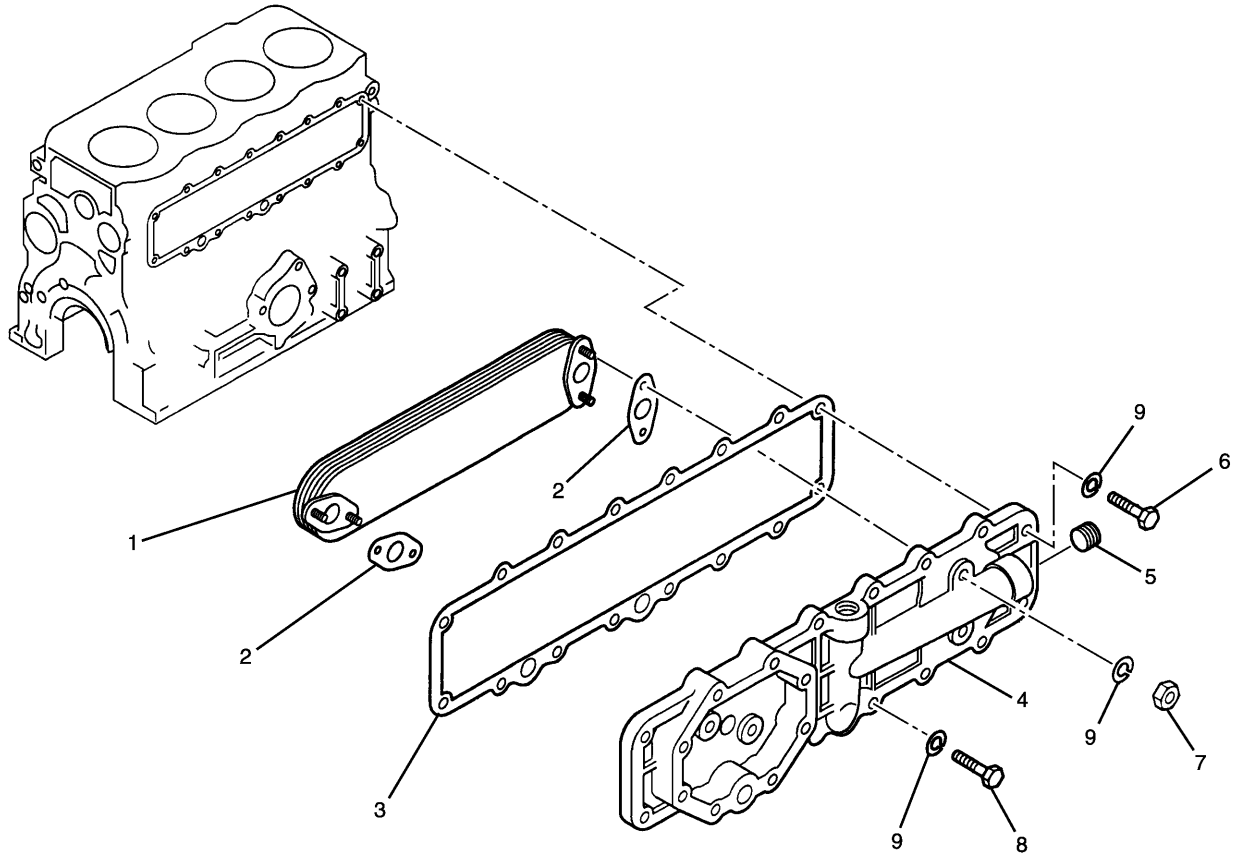
# LUBRICATION SYSTEM



H82528E 00

217-5547 FILTER GP-ENGINE OIL  
Part of 201-3869-Page12

# COOLING SYSTEM

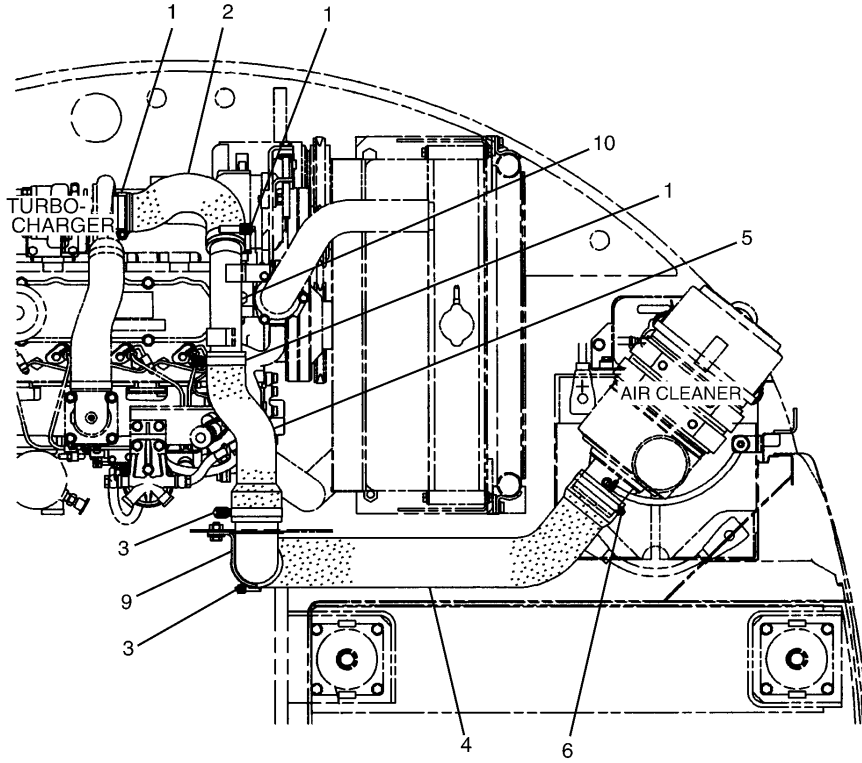


NOTE	No.	PART No.	QTY	PART NAME	NOTE	No.	PART No.	QTY	PART NAME
	1	135-2403	1	ELEMENT					
	2	51-7691	2	GASKET					
	3	51-7862	1	GASKET					
	4	212-8519	1	COVER AS					
	5	178-6572	2	PLUG					
	6	8T-4908	9	BOLT (L=25mm)					
	7	5C-7261	4	NUT					
	8	8T-4189	3	BOLT (L=20mm)					
	9	095-8638	16	WASHER					

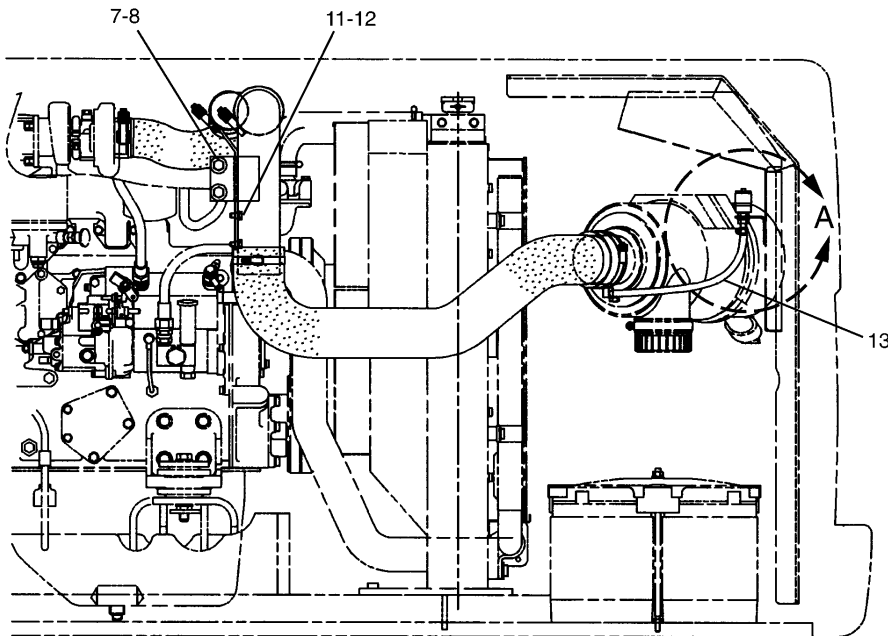
H78539E 02

**5I-8132 COOLER GP-ENGINE OIL**  
Part of 201-3869-Page13

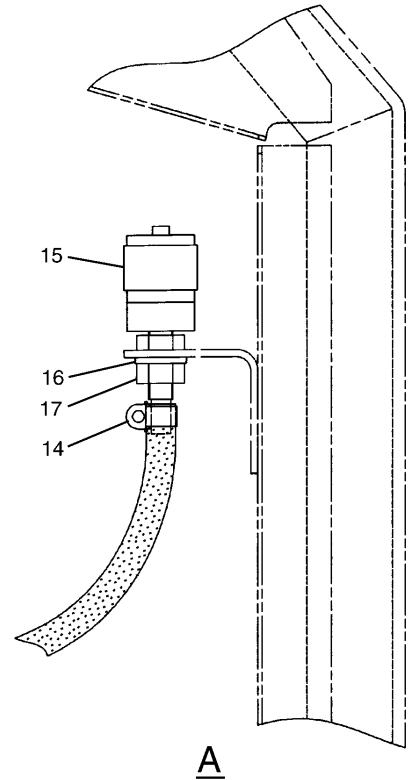
# AIR INLET AND EXHAUST SYSTEM



TOP VIEW



FRONT VIEW

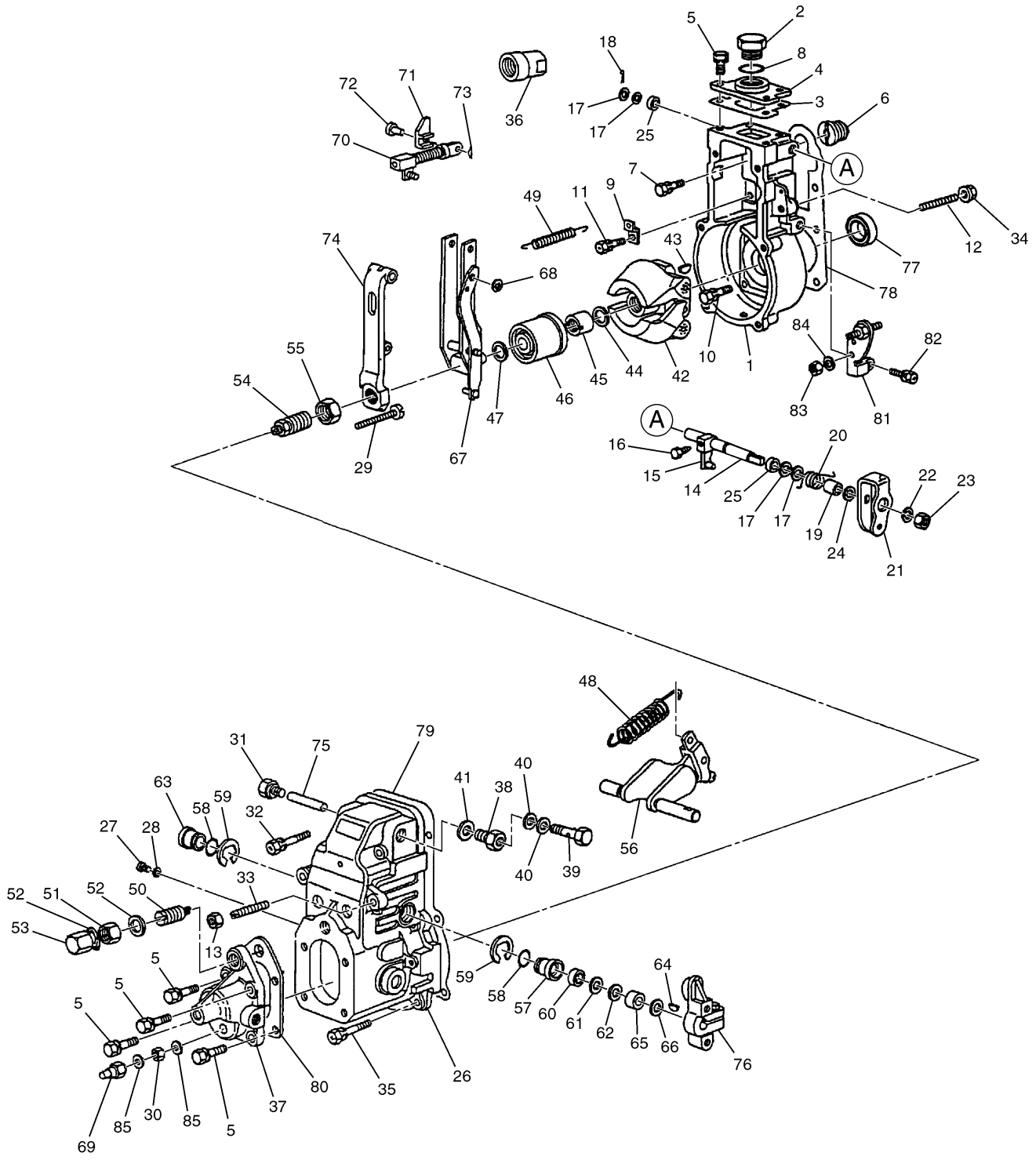


H97642E 04

193-2865 LINES GP-AIR

# MEMORANDA

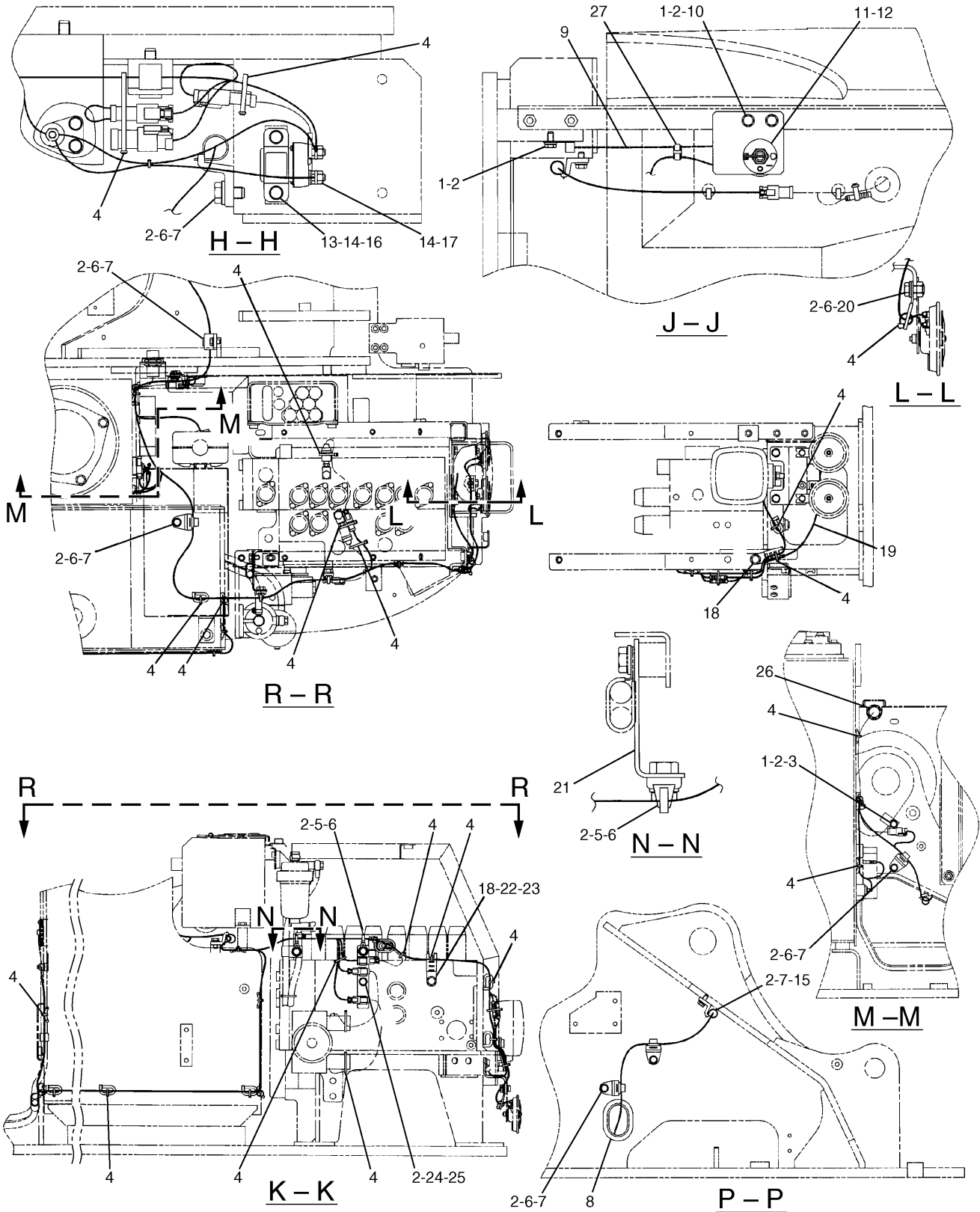
# FUEL SYSTEM



H93802E 06

**212-8469 PUMP GP-FUEL INJECTION (2/3)**  
Part of 201-3869-Page13

# ELECTRICAL AND STARTING SYSTEM



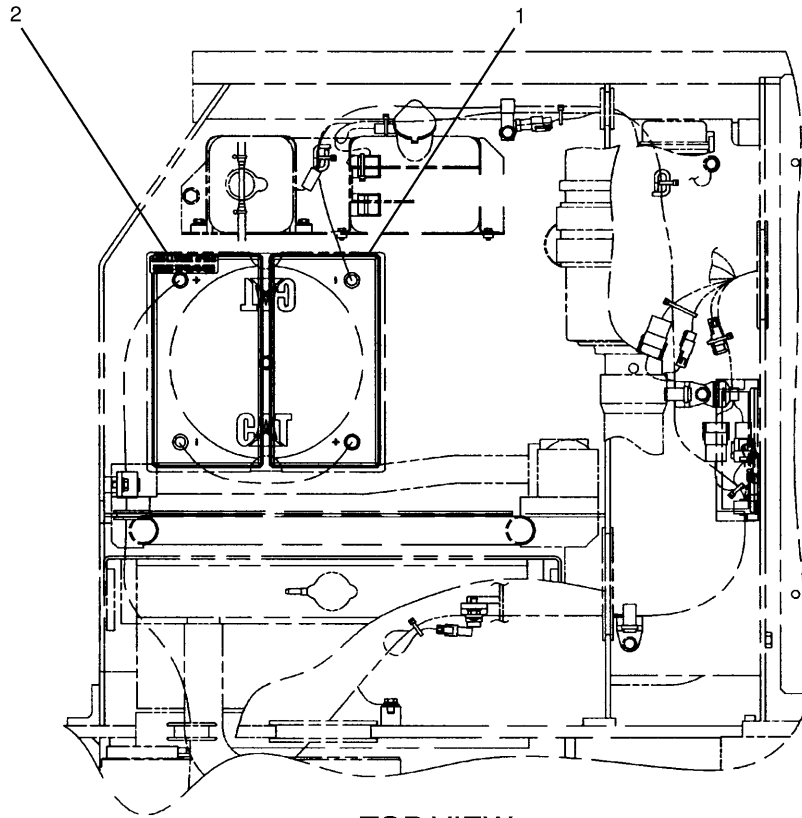
HA3392E 04

**213-0782 BATTERY & WIRING GP (2/3)**

S/N KHB 1-00662

213-0618-Page80,7N-0718-Page81

# ELECTRICAL AND STARTING SYSTEM



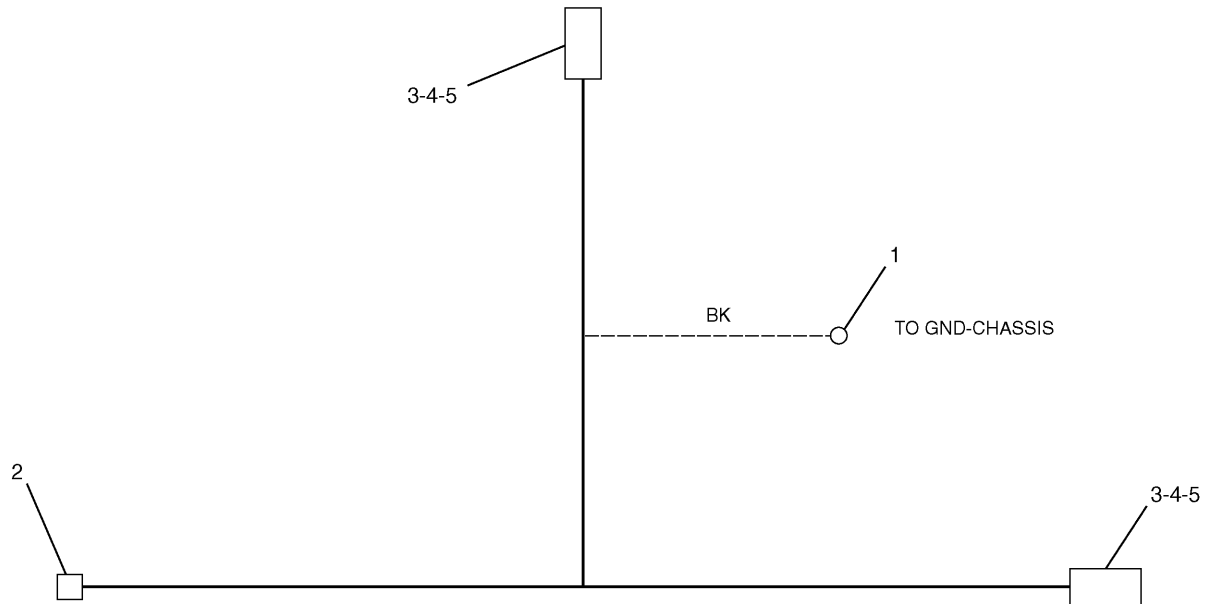
TOP VIEW

NOTE	No.	PART No.	QTY	PART NAME	NOTE	No.	PART No.	QTY	PART NAME
	1	9X-3404	2	BATTERY					
	2	102-5420	1	FILM (INSTRUCTION)					

H76735E 04

**4I-5417 BATTERY & WIRING GP-COLD WEATH**  
 Part of 198-2178-Page77  
 An Attachment

# ELECTRICAL AND STARTING SYSTEM

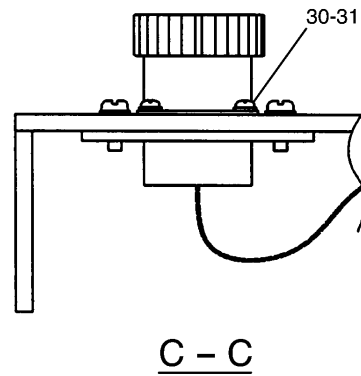
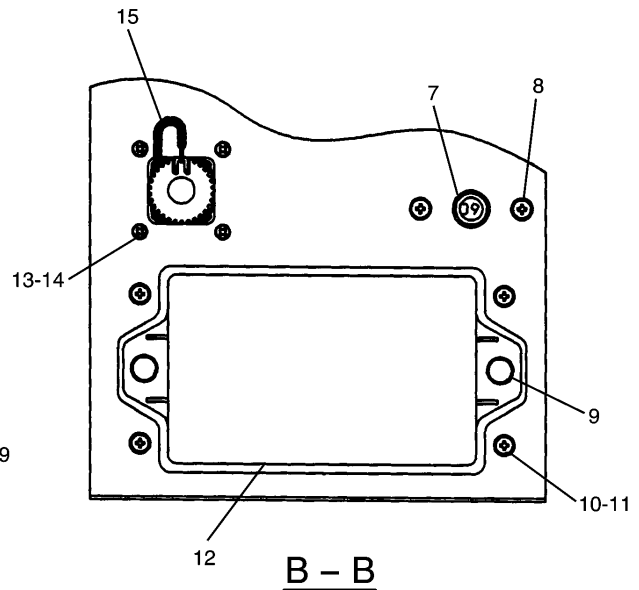
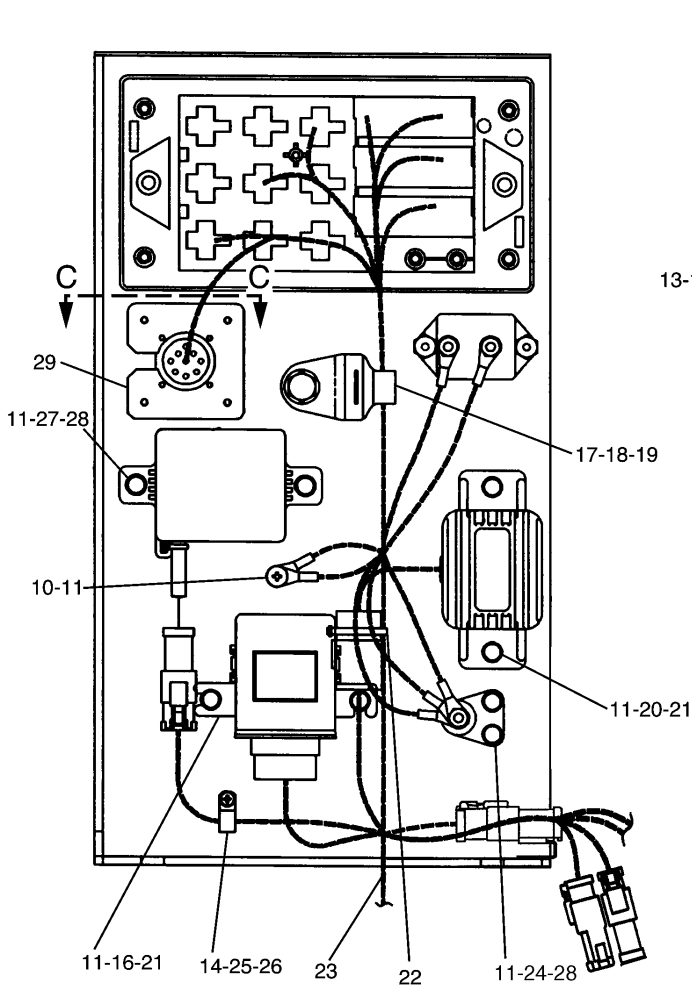
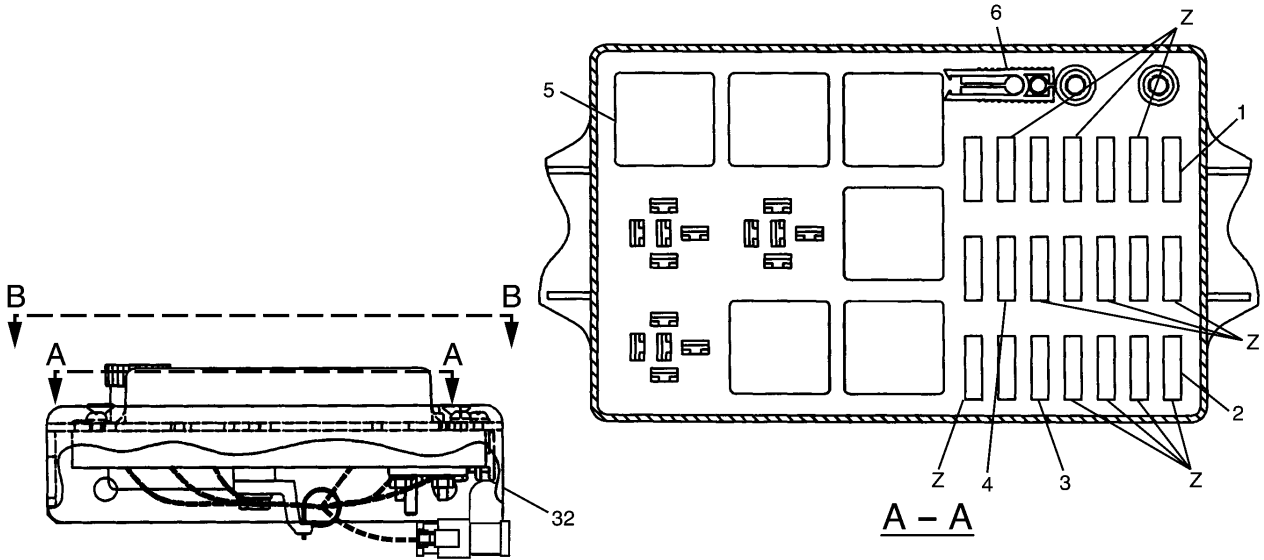


NOTE	No.	PART No.	QTY	PART NAME	NOTE	No.	PART No.	QTY	PART NAME
	1	2L-8079	1	TERMINAL					
	2	7Y-3962	1	TERMINAL					
		7Y-3964	1	TUBE					
	3	155-2270	2	PLUG KIT					
	4	155-2261	2	WEDGE					
	5	186-3736	4	SOCKET					

H82593E 00

**213-0527 HARNESS AS**  
 Part of 204-1878-Page77.02  
 An Attachment

# ELECTRICAL AND STARTING SYSTEM

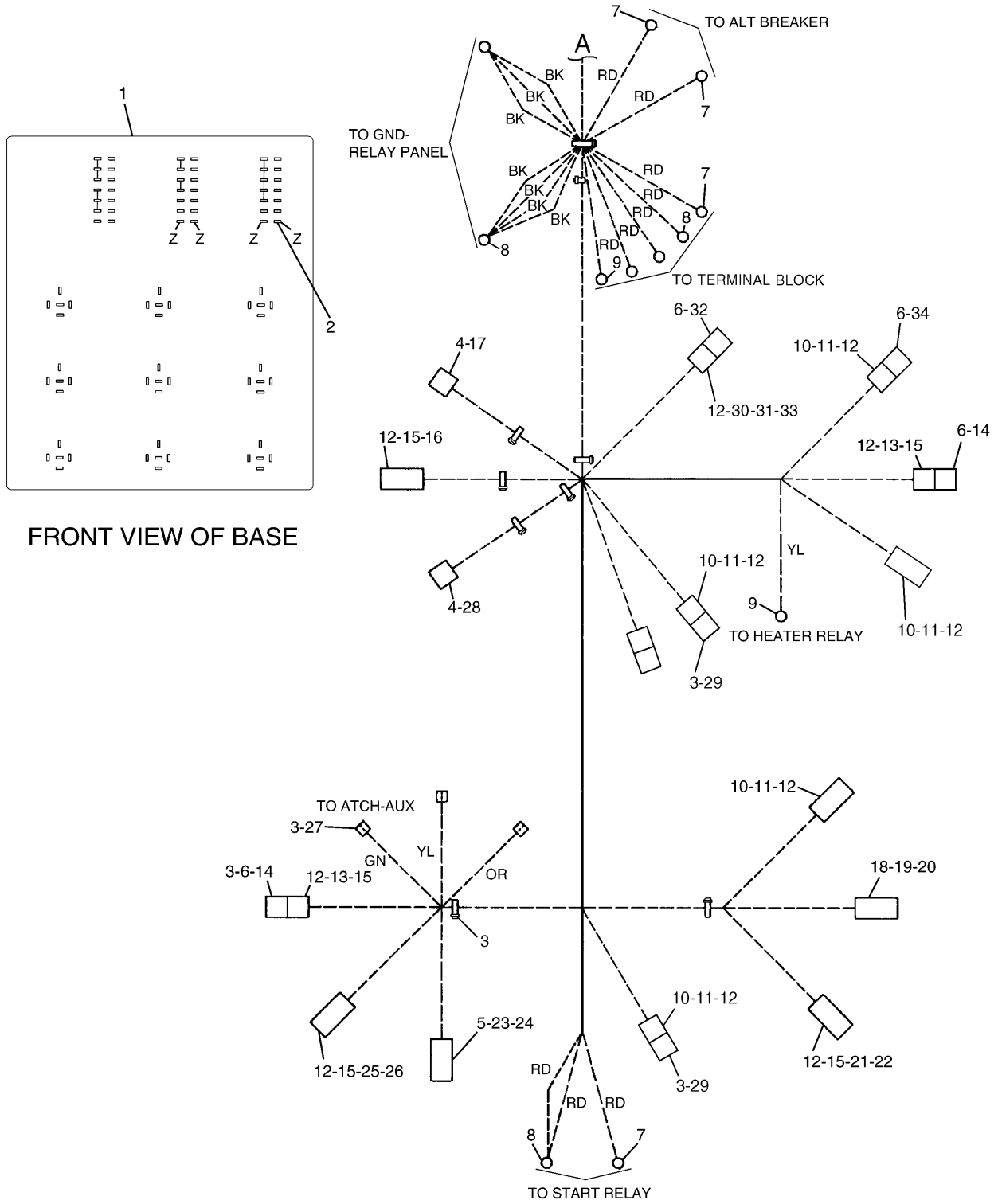


H86885E 02

## 213-0783 PANEL GP-CIRCUIT BREAKER

S/N KHB 00444-00662  
 Part of 213-0782-Page71  
 238-2142-Page91.01,163-6703-Page92

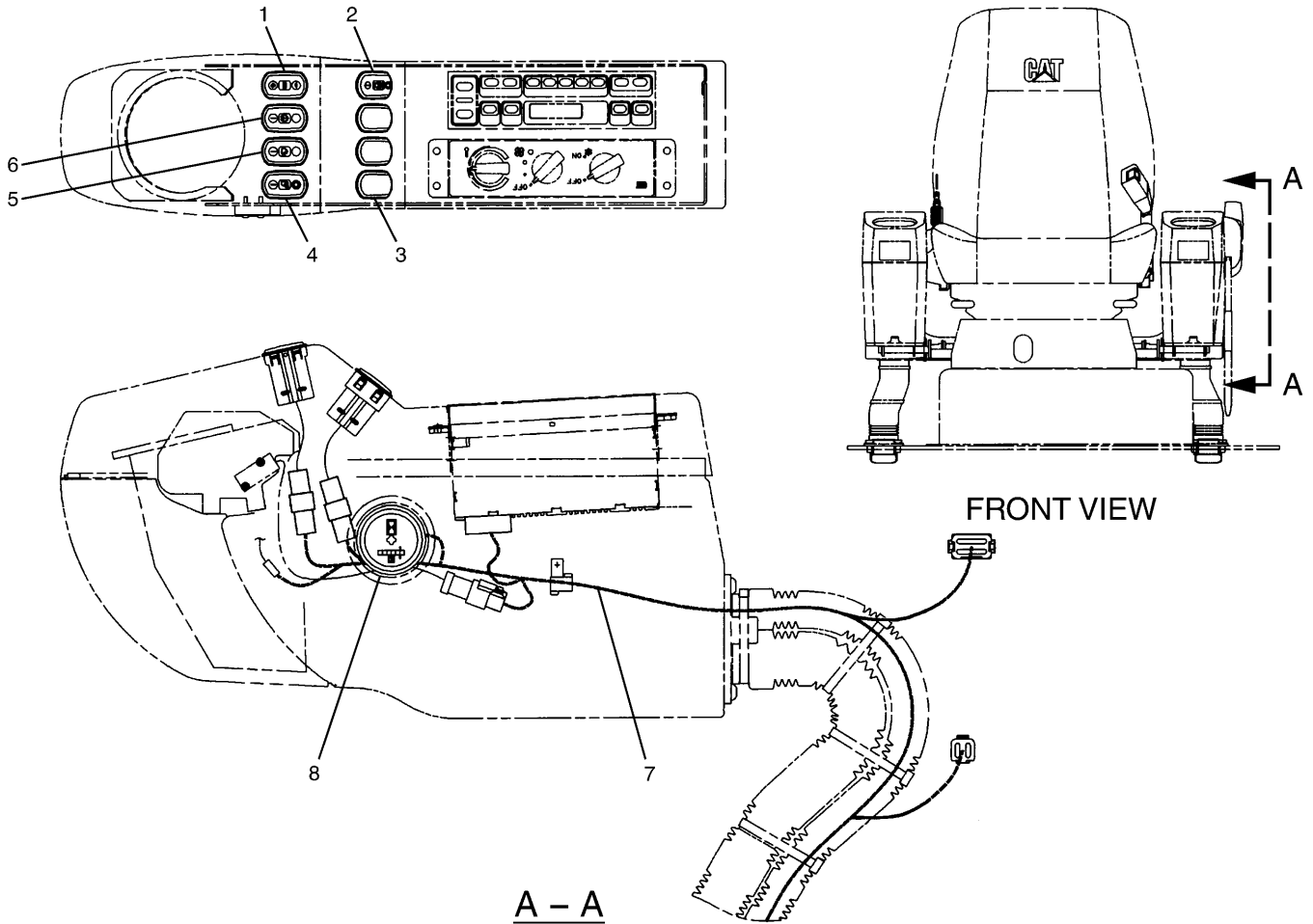
# ELECTRICAL AND STARTING SYSTEM



H86887E 00

**238-2142 HARNESS AS (2/2)**  
 S/N KHB 00444-00662  
 Part of 213-0783-Page87.04

# ELECTRICAL AND STARTING SYSTEM



NOTE	No.	PART No.	QTY	PART NAME	NOTE	No.	PART No.	QTY	PART NAME
	1	186-4658	1	SWITCH AS (TRAVEL SPEED)					
		116-0173	1	CONNECTOR					
		116-0174	4	TERMINAL					
	2	193-3490	1	SWITCH AS (AEC)					
		116-0173	1	CONNECTOR					
		116-0174	4	TERMINAL					
	3	186-4660	3	PLUG					
	4	186-4655	1	SWITCH AS (LIGHT)					
		116-0173	1	CONNECTOR					
		116-0174	4	TERMINAL					
	5	193-3489	1	SWITCH AS (WIPER)					
		116-0173	1	CONNECTOR					
		116-0174	4	TERMINAL					
	6	186-4657	1	SWITCH AS (WASHER)					
		116-0173	1	CONNECTOR					
		116-0174	4	TERMINAL					
Y	7	193-3557	1	HARNES AS					
	8	9W-1494	1	METER KIT					

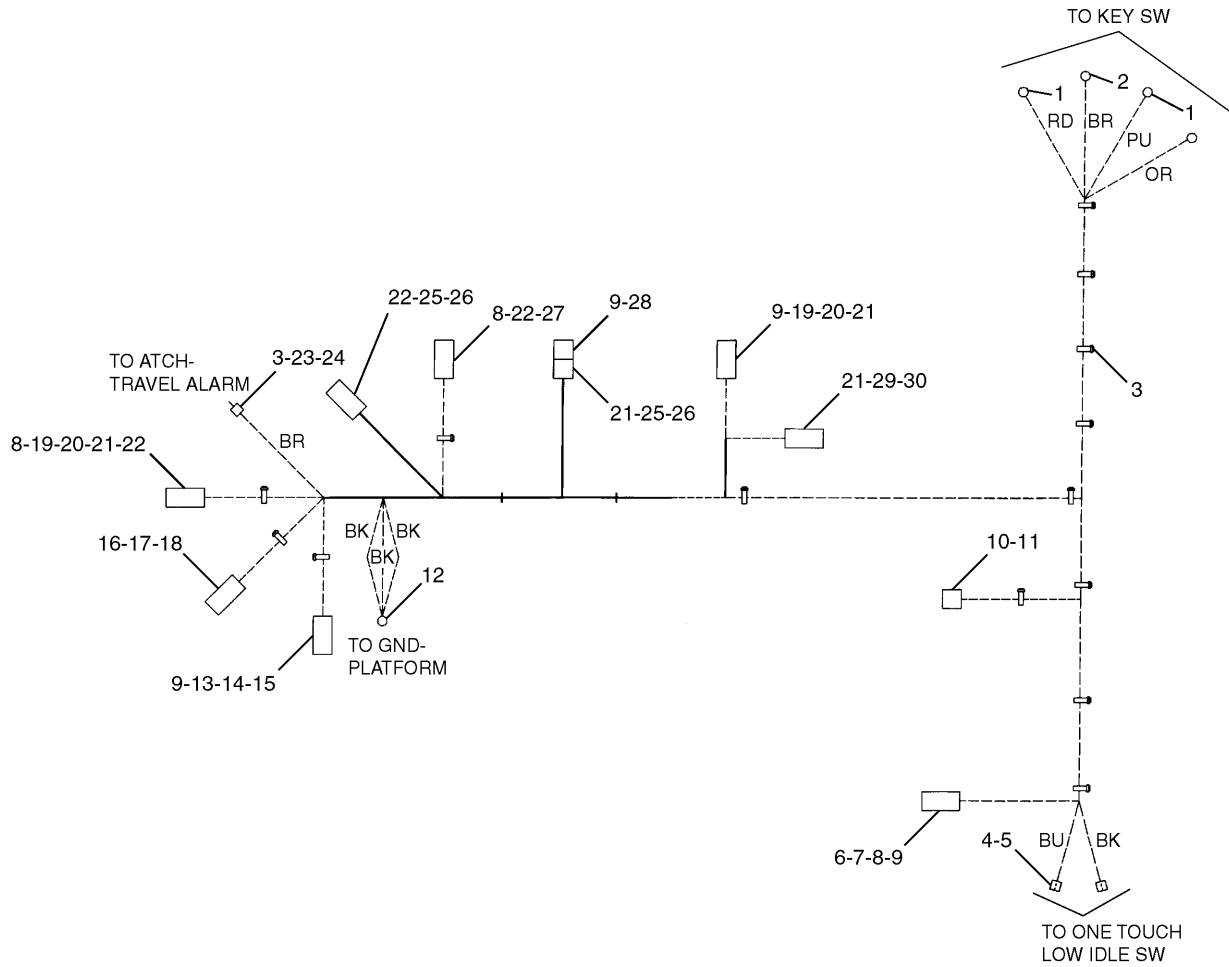
Y-SEE SEPARATE ILLUSTRATION

H83829E 04

## 193-3481 WIRING GP-CONSOLE

Left Hand  
Part of 193-3480-Page93  
193-3557-Page96

# ELECTRICAL AND STARTING SYSTEM



NOTE	No.	PART No.	QTY	PART NAME	NOTE	No.	PART No.	QTY	PART NAME
	1	2L-8067	2	TERMINAL		21	126-1768	25	SOCKET
	2	2L-8077	2	TERMINAL		22	9W-0844	6	SOCKET
	3	3S-2093	15	STRAP		23	7Y-3962	1	TERMINAL
	4	7Y-3963	2	TERMINAL		24	7Y-3964	1	TUBE
	5	7Y-3965	2	TUBE		25	155-2270	2	PLUG KIT
	6	155-2274	1	PLUG KIT		26	155-2261	2	WEDGE
	7	155-2263	1	WEDGE		27	155-2271	1	PLUG KIT
	8	8T-8730	12	SOCKET		28	102-8802	1	RECEPTACLE KIT
	9	8T-8737	6	PLUG		29	155-2265	1	PLUG KIT
	10	163-6659	1	CONNECTOR		30	155-2259	1	WEDGE
	11	125-4785	10	TERMINAL					
	12	3T-4696	1	TERMINAL					
	13	102-8801	1	RECEPTACLE KIT					
	14	9W-0852	2	PIN					
	15	8T-8729	9	PIN					
	16	121-1038	1	HOUSING					
	17	116-0128	1	SEAL					
	18	121-1039	2	TERMINAL					
	19	155-2255	2	PLUG KIT					
	20	155-2258	2	WEDGE					

H77366E 00

**204-1854 HARNESS AS-CONSOLE**  
 S/N KHB 1-00443  
 Part of 204-1853-Page99

# ELECTRICAL AND STARTING SYSTEM

Consists of :

		Page
1	204-1886 HARNESS AS-WIRING.....	107
	-OR-	
1	204-1887 HARNESS AS-WIRING.....	108

H77408E 00

## 204-1885 HARNESS AS-WIRING

S/N KHB 1-00443  
Part of 193-3483-Page105

Consists of :

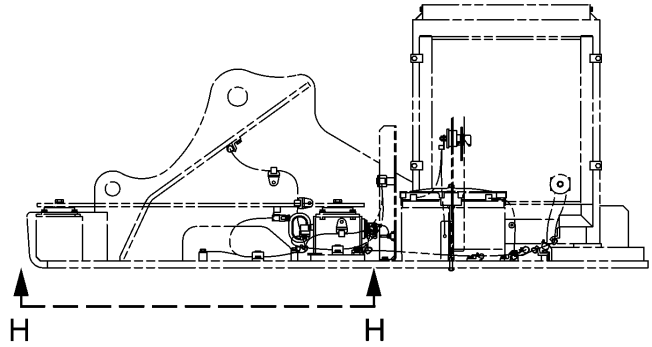
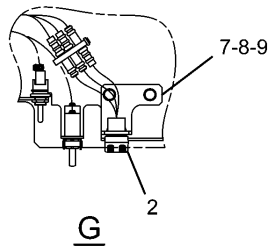
		Page
1	238-2092 HARNESS AS-WIRING.....	108.01
	-OR-	
1	238-2093 HARNESS AS-WIRING.....	108.02

H86891E 00

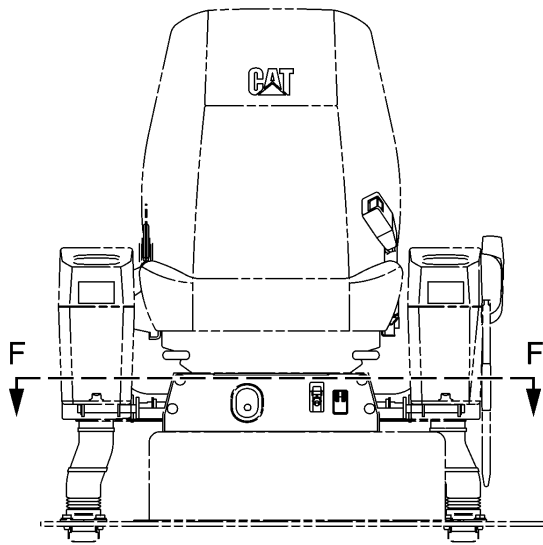
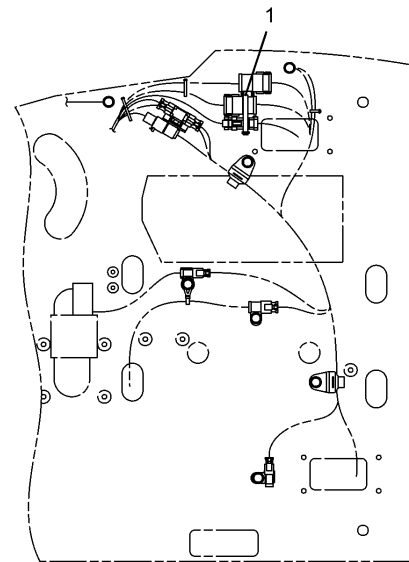
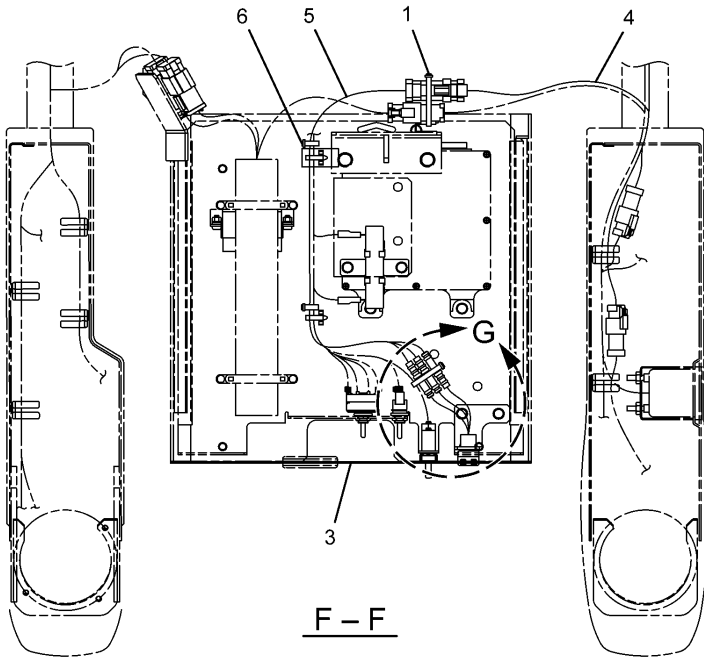
## 238-2091 HARNESS AS-WIRING

S/N KHB 00444-Up  
Part of 193-3483-Page105.01

# ELECTRICAL AND STARTING SYSTEM



LEFT SIDE VIEW



FRONT VIEW

HA1980E 01

**283-2825 WIRING GP (2/2)**

Product Link Japan

Part of 283-8802-Page121.01

283-2877-Page111.06,291-7435-Page111.07

An Attachment

# ELECTRICAL AND STARTING SYSTEM

Consists of :

			Page
1	193-3566	HARNESS AS-WIRING.....	115
		-OR-	
1	193-3567	HARNESS AS-WIRING.....	116

H77368E 04

## 193-3565 HARNESS AS-WIRING

S/N KHB 1-00374  
Part of 193-3484-Page113

Consists of :

			Page
1	231-1778	HARNESS AS-WIRING.....	116.01
		-OR-	
1	231-1779	HARNESS AS-WIRING.....	116.02

H83834E 00

## 231-1777 HARNESS AS-WIRING

S/N KHB 00375-Up  
Part of 193-3484-Page113.02

# ELECTRICAL AND STARTING SYSTEM

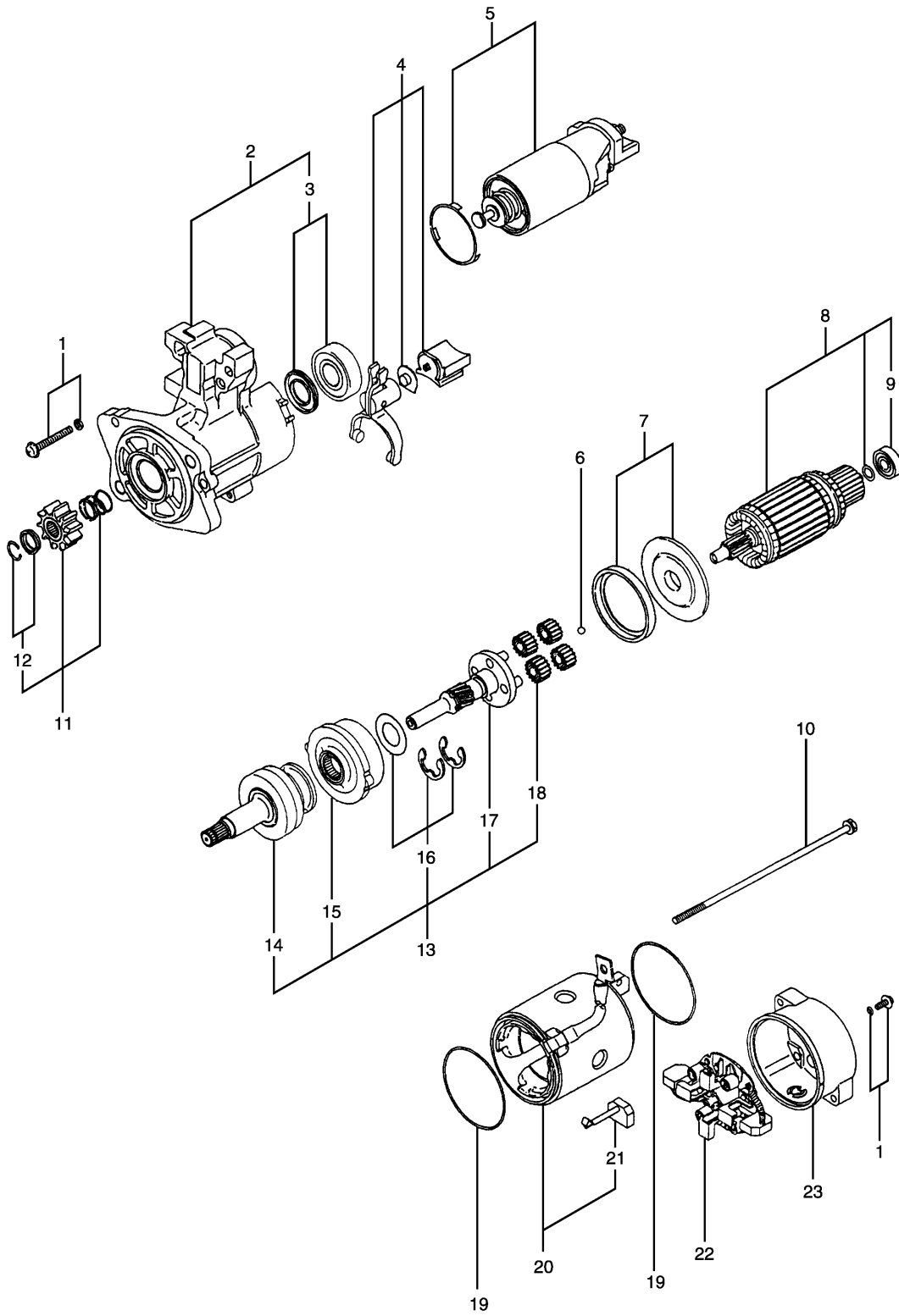
Consists of :

		Page
1	270-5497 ELECTRONICS GP .....	122
1	279-7607 MOUNTING GP .....	123.01
1	283-2825 WIRING GP .....	111.01

H96596E 00

**283-8802 CONTROL AR**  
Product Link Japan  
An Attachment

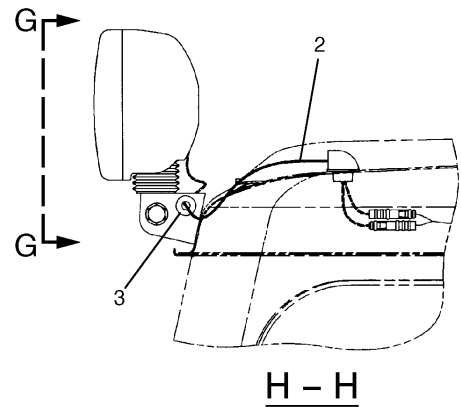
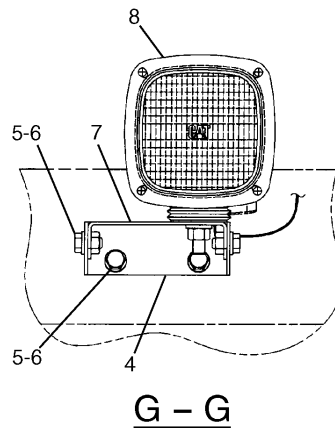
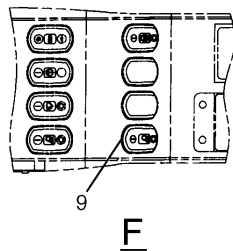
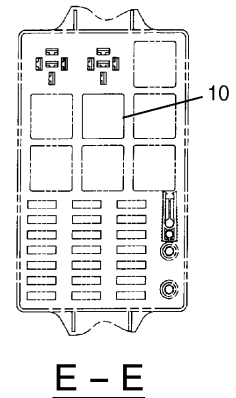
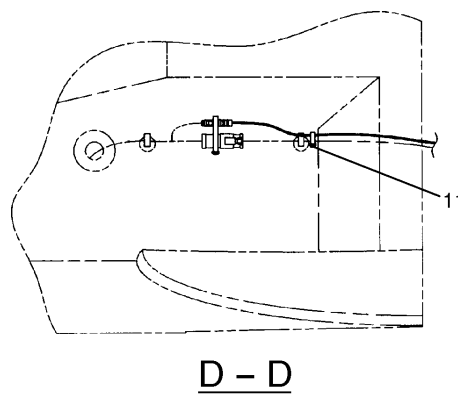
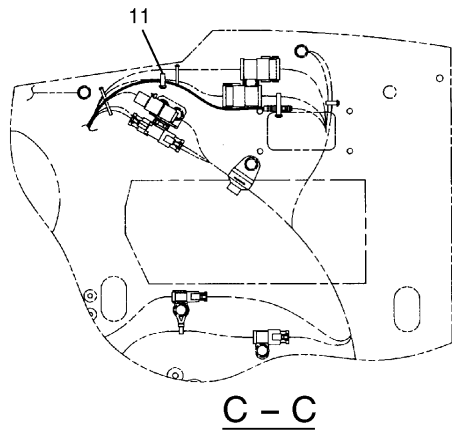
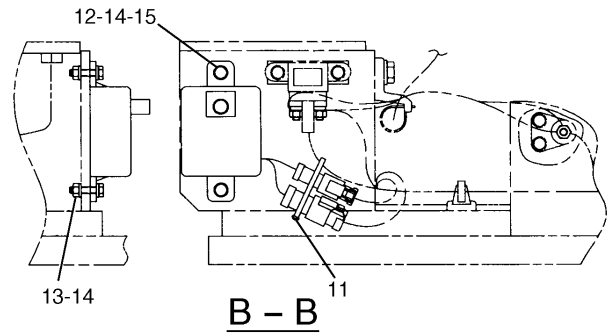
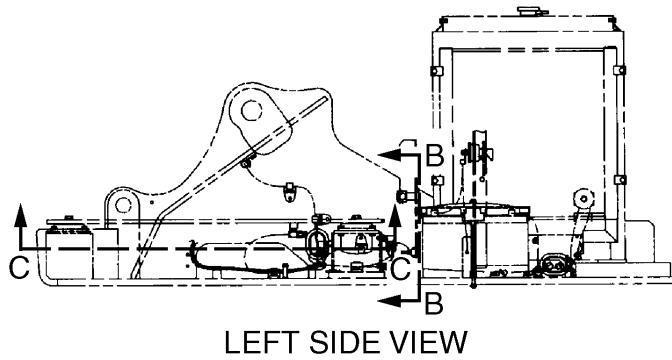
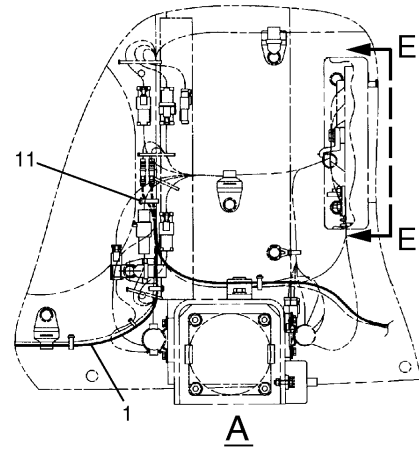
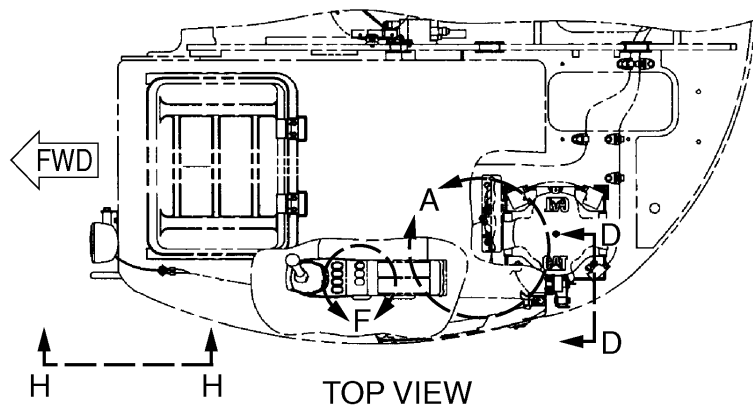
# ELECTRICAL AND STARTING SYSTEM



H98079E 01

**272-4774 STARTING MOTOR GP-ELECTRIC**  
S/N KHB (T05.12)-Up  
Part of 201-3869-Page13.04

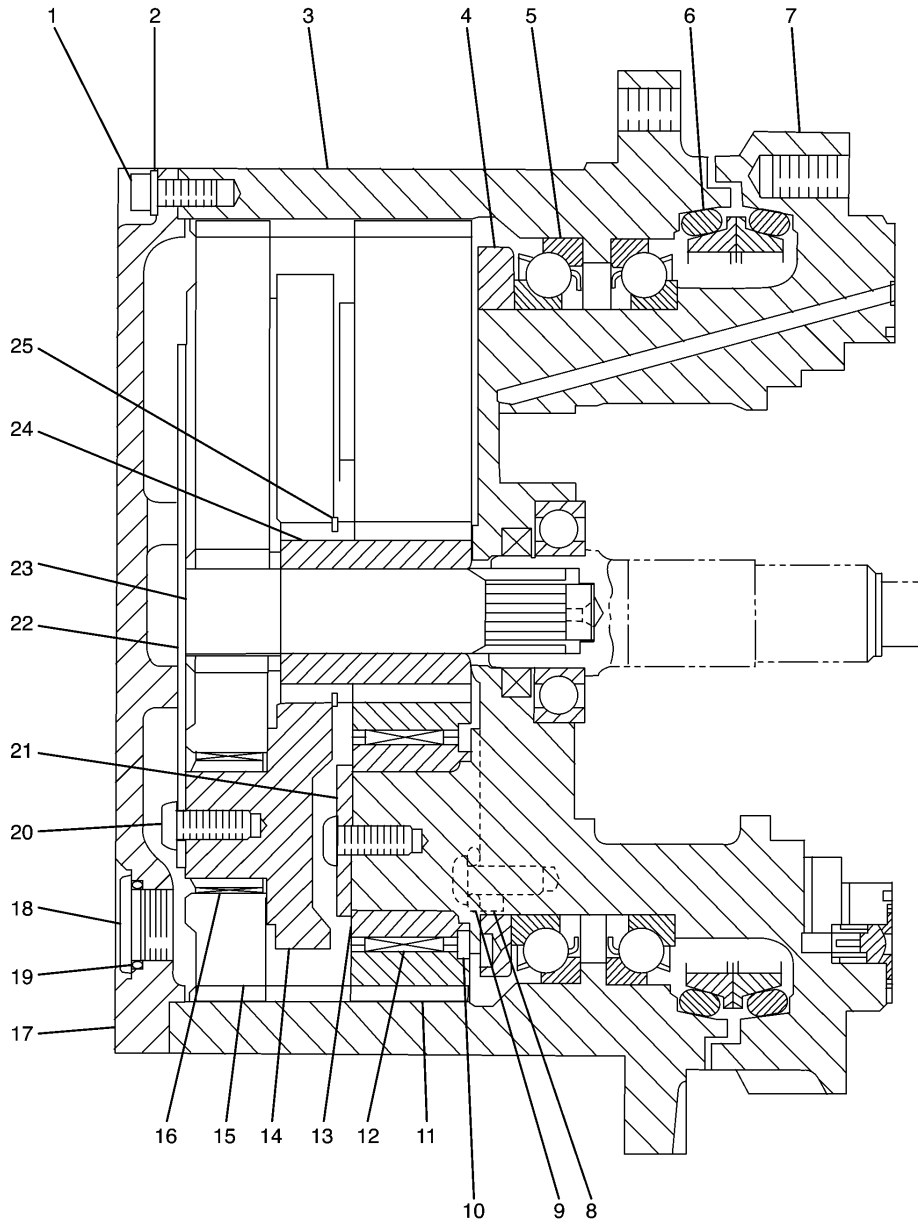
# ELECTRICAL AND STARTING SYSTEM



H78678E 01

# MEMORANDA

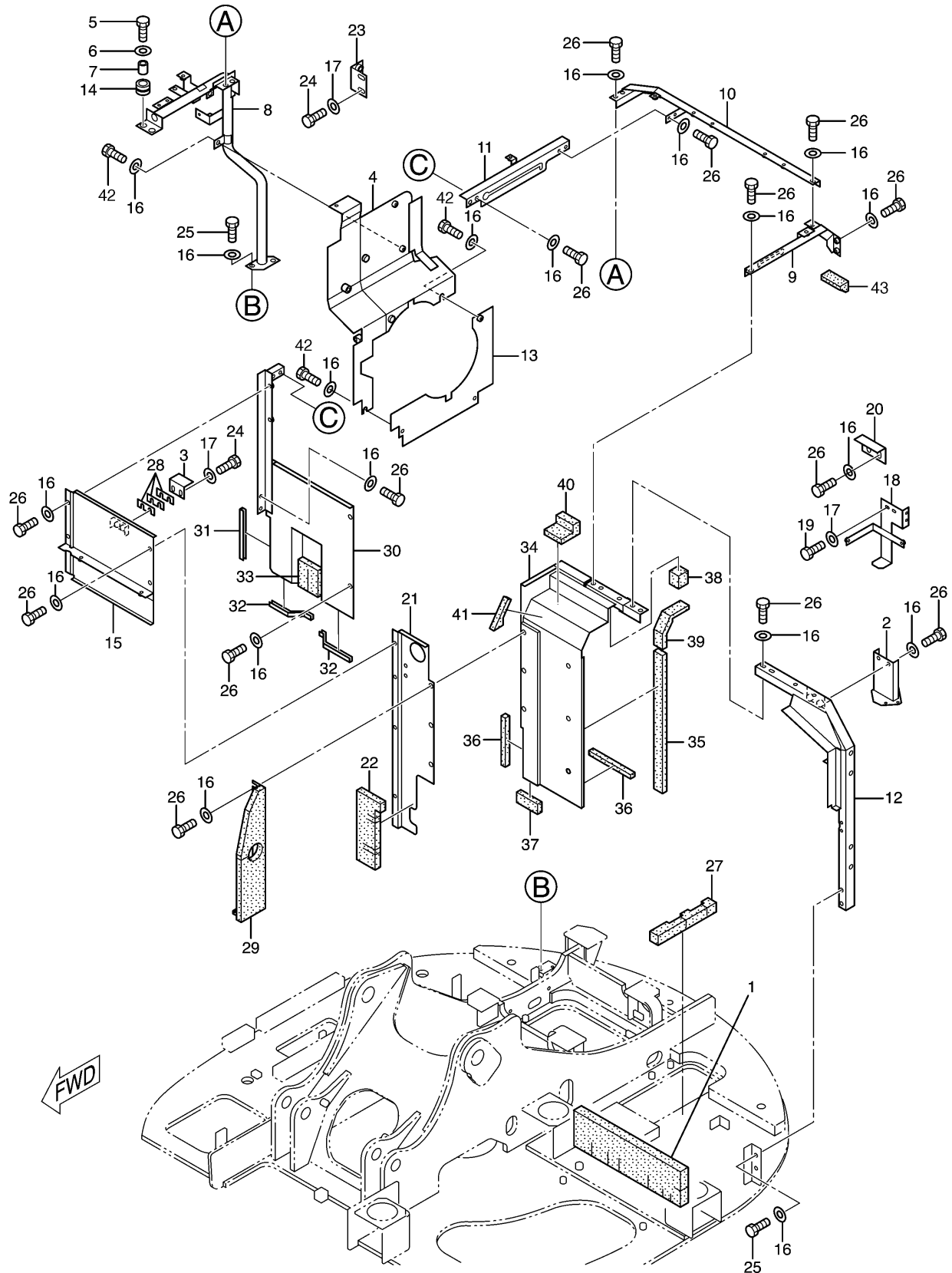
# POWER TRAIN



H72113E 00

**191-2619 FINAL DRIVE GP**  
S/N KHB 1-00997  
Part of 191-2592-Page147,267-6826-Page149.02

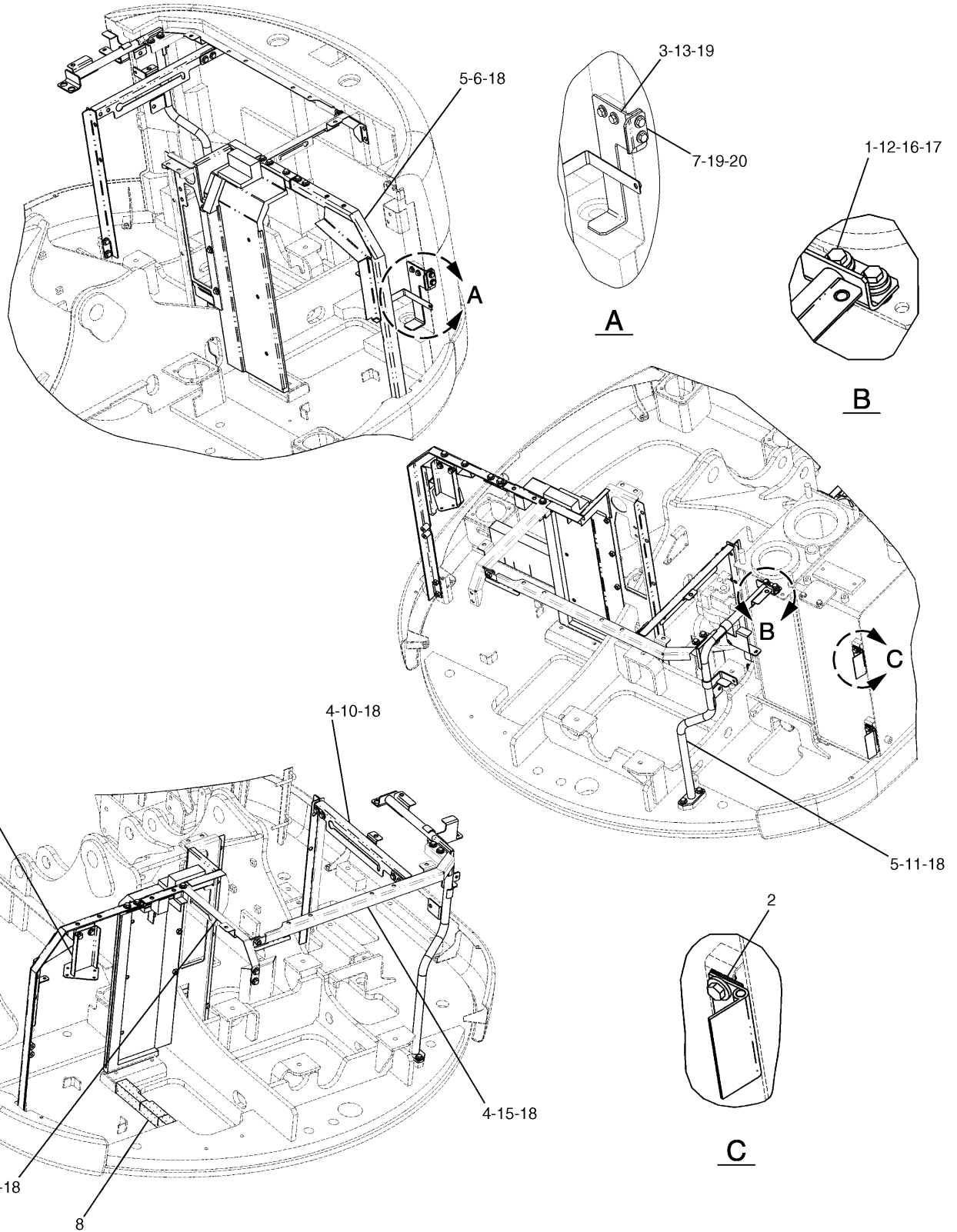
# FRAME AND BODY



H86904E 09

**194-8891 HOOD & GUARD GP (2/2)**  
 S/N KHB 1-00506  
 211-6157-Page164,202-1758-Page164.04

# FRAME AND BODY

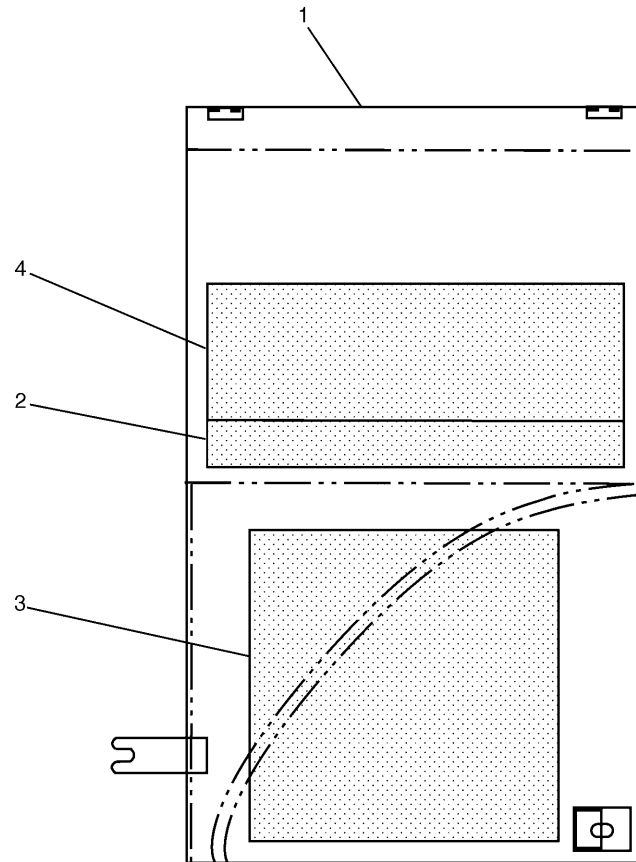


HA1985E 07

**218-7980 HOOD & GUARD GP (1/4)**  
S/N KHB 00711-Up

# MEMORANDA

# FRAME AND BODY



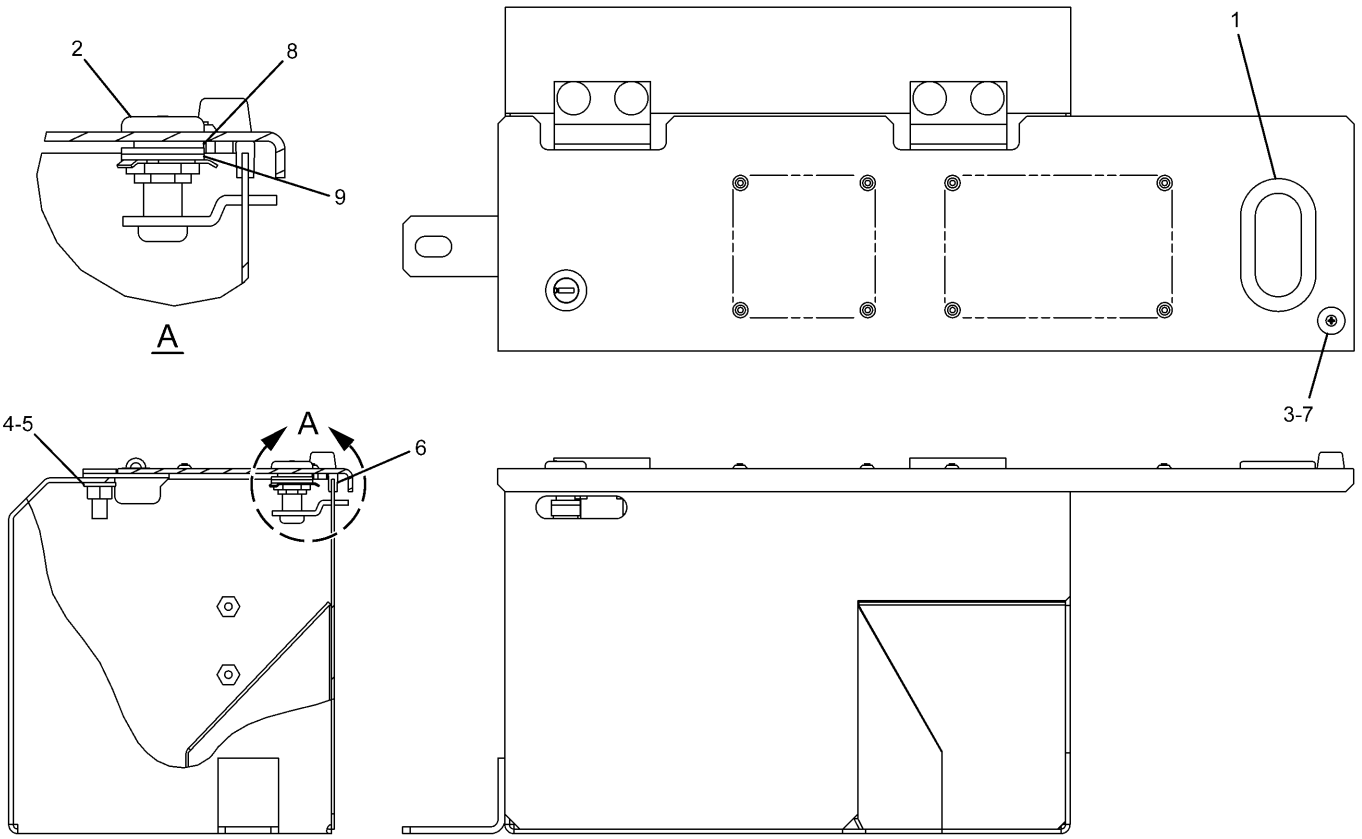
NOTE	No.	PART No.	QTY	PART NAME	NOTE	No.	PART No.	QTY	PART NAME
	1	198-2304	1	COVER AS					
	2	208-3288	1	LINER					
	3	251-2873	1	INSULATION					
	4	251-2874	1	INSULATION					

H87187E 03

**208-3300 COVER AS**  
 S/N KHB 00507-Up  
 Part of 218-7980-Page157.06

# MEMORANDA

# FRAME AND BODY



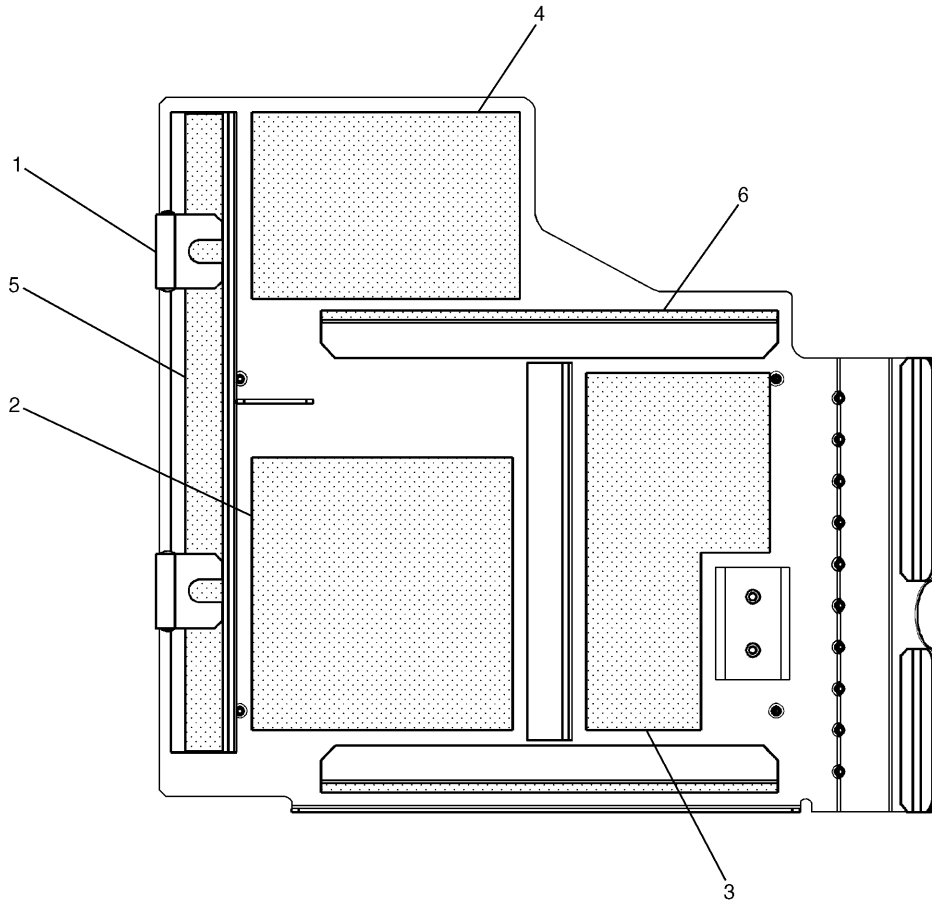
NOTE	No.	PART No.	QTY	PART NAME	NOTE	No.	PART No.	QTY	PART NAME
E	1	2S-1647	1	GROMMET					
	2	8Y-4804	1	LOCK GP					
		226-0291	1	LOCK AS					
		226-0326	1	CAM					
	3	162-4635	1	CUSHION					
	4	8T-4121	4	WASHER					
	5	8T-4133	4	NUT					
	6	184-8580		SEAL... (36cm)					
	7	8T-0337	1	SCREW					
8	301-9823	1	RING						
9	6V-8823	2	WASHER						

E-ORDER BY THE CENTIMETER

H97648E 01

**248-7733 BOX GP-STORAGE**  
 S/N KHB 00507-Up  
 Part of 194-8898-Page167.01

# FRAME AND BODY



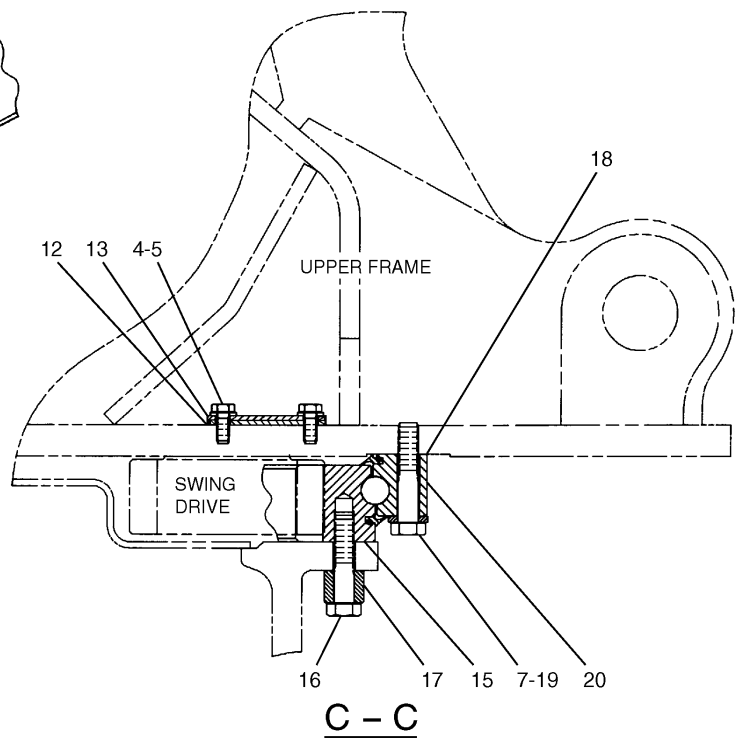
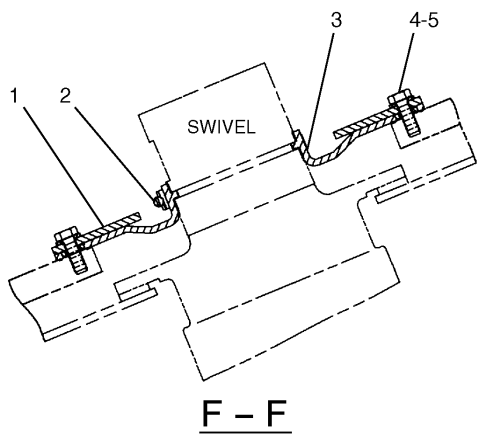
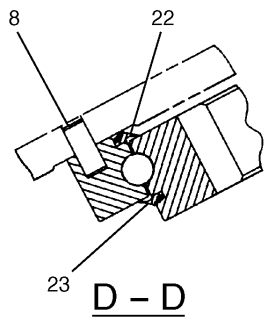
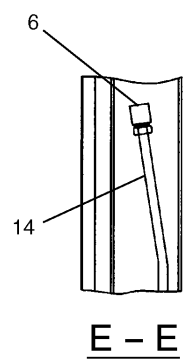
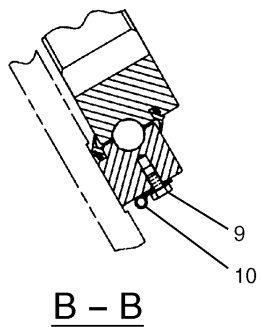
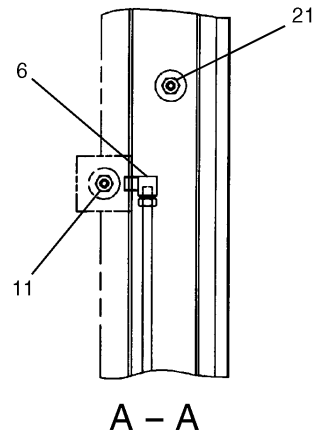
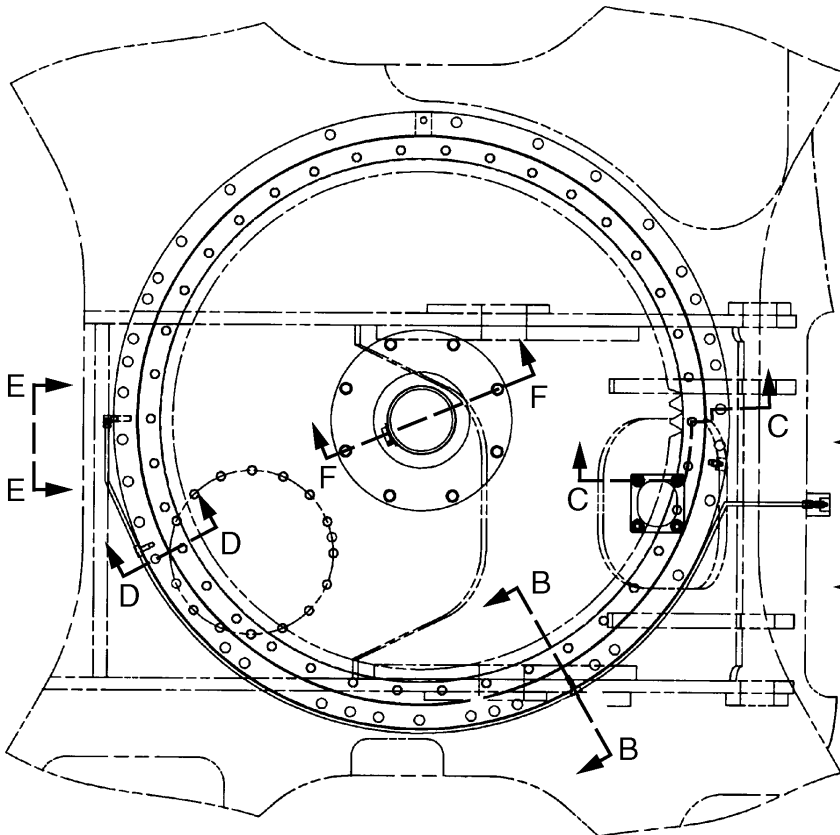
NOTE	No.	PART No.	QTY	PART NAME	NOTE	No.	PART No.	QTY	PART NAME
	1	142-0963	2	HINGE					
	2	248-7850	1	INSULATION					
	3	248-7851	1	INSULATION					
	4	248-7852	1	INSULATION					
	5	248-7853	1	INSULATION					
E	6	184-8580		SEAL... (31cm x 2)					

E-ORDER BY THE CENTIMETER

H87132E 00

**248-7762 COVER AS**  
 S/N KHB 00507-Up  
 Part of 202-1613-Page169.02

# FRAME AND BODY

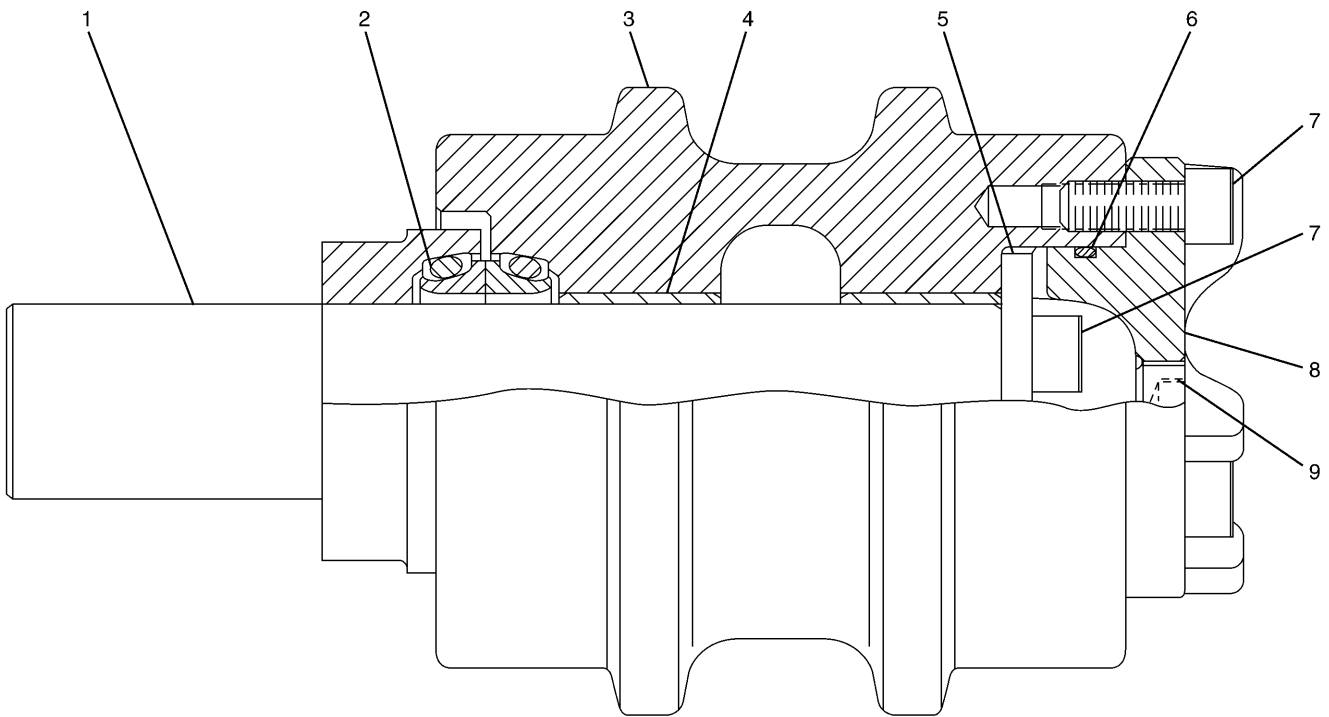


H85532E 01

**199-4692 GEAR & BEARING GP-SWING**  
 Part of 194-8921-Page413  
 An Attachment

# MEMORANDA

# FRAME AND BODY

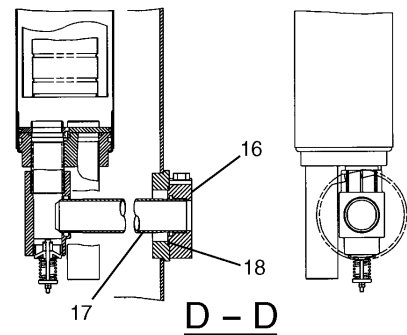
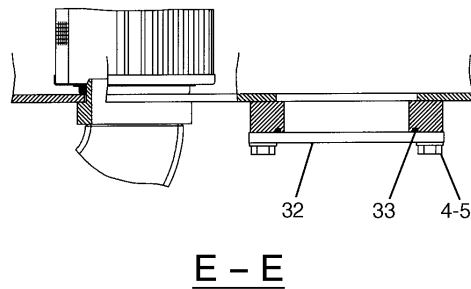
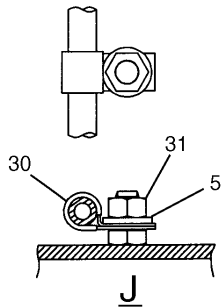
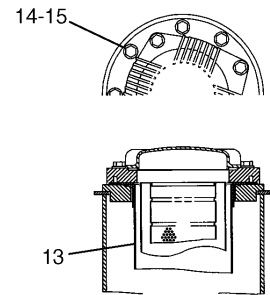
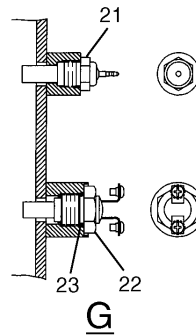
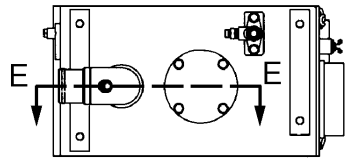
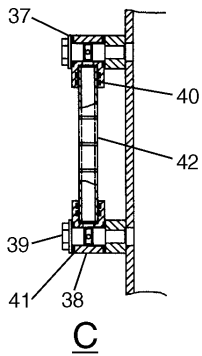
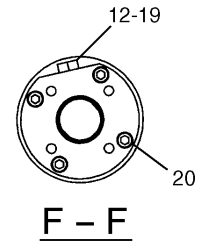
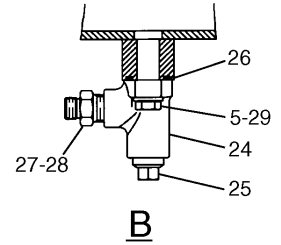
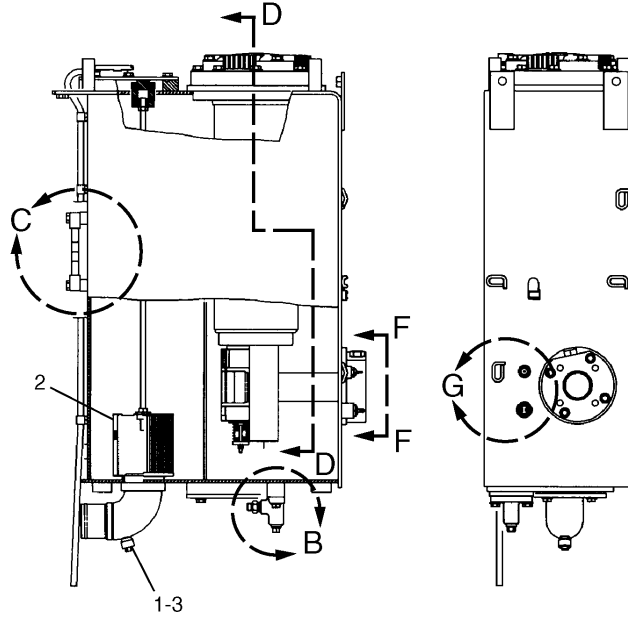
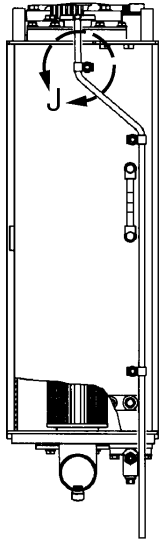
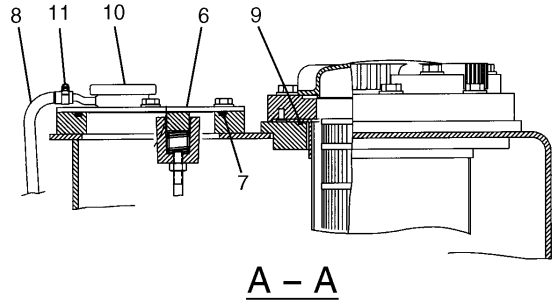
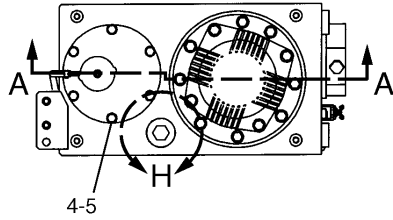
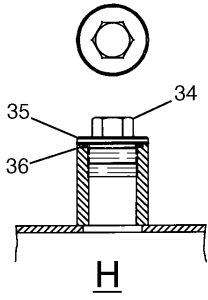


NOTE	No.	PART No.	QTY	PART NAME	NOTE	No.	PART No.	QTY	PART NAME
	1	7Y-2159	1	SHAFT AS					
	2	099-0183	1	SEAL GP					
	3	7Y-2155	1	ROLLER AS					
	4	099-0185	2	BEARING					
	5	7Y-2162	1	RETAINER					
	6	6V-7658	1	SEAL-O-RING (ID=59.40mm)					
	7	8T-1159	5	BOLT (L=25mm)					
	8	7Y-2158	1	COVER					
	9	7H-3171	1	PLUG					

H71878E 00

**4I-7345 ROLLER GP-TRACK CARRIER**  
Part of 4I-7344-Page186

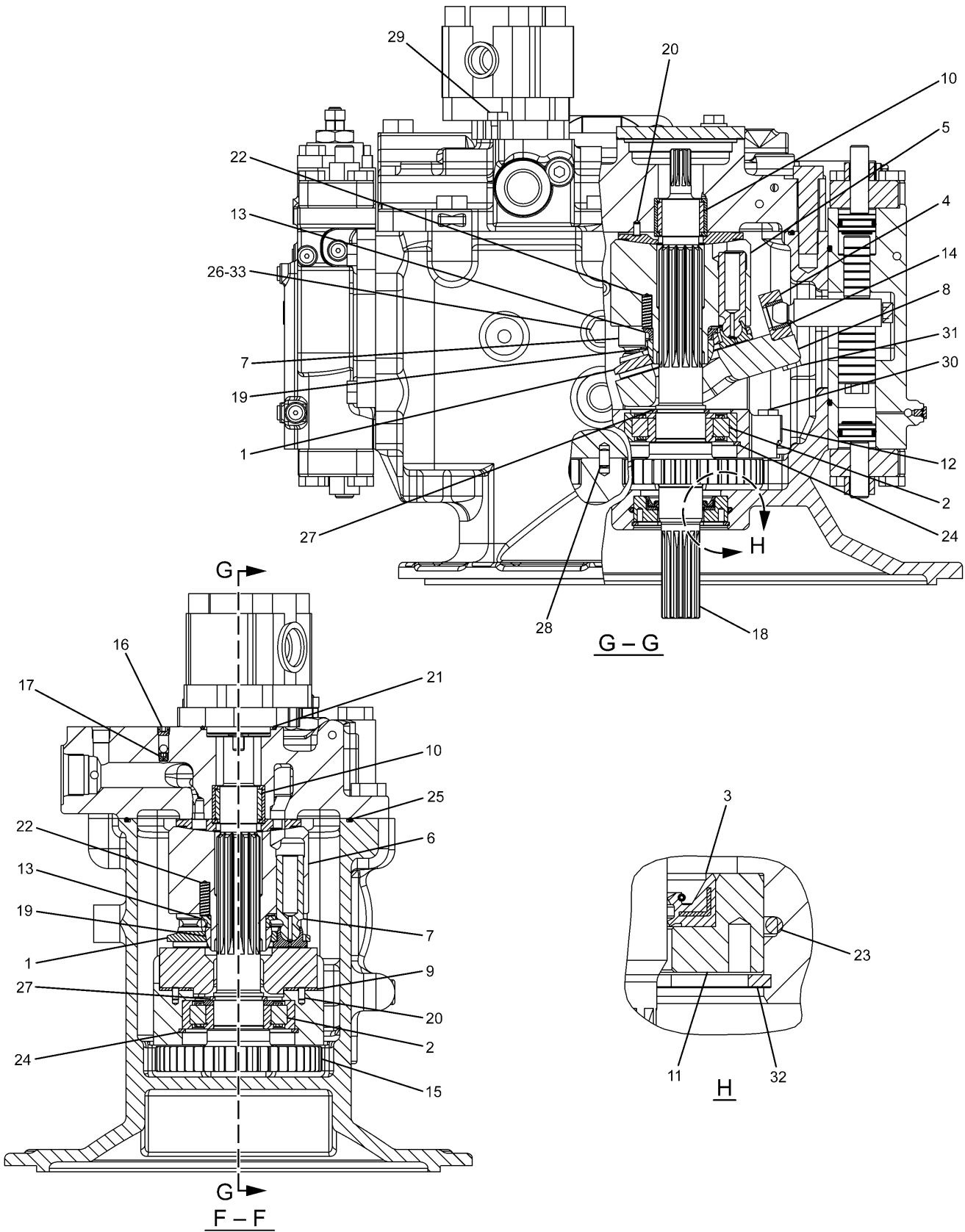
# HYDRAULIC SYSTEM



H85556E 05

**194-8903 TANK & FILTER GP-HYDRAULIC**  
 Capacity 115 Liters  
 S/N KHB 1-00506  
 Part of 194-8902-Page195  
 185-0183-Page198,173-3434-Page214

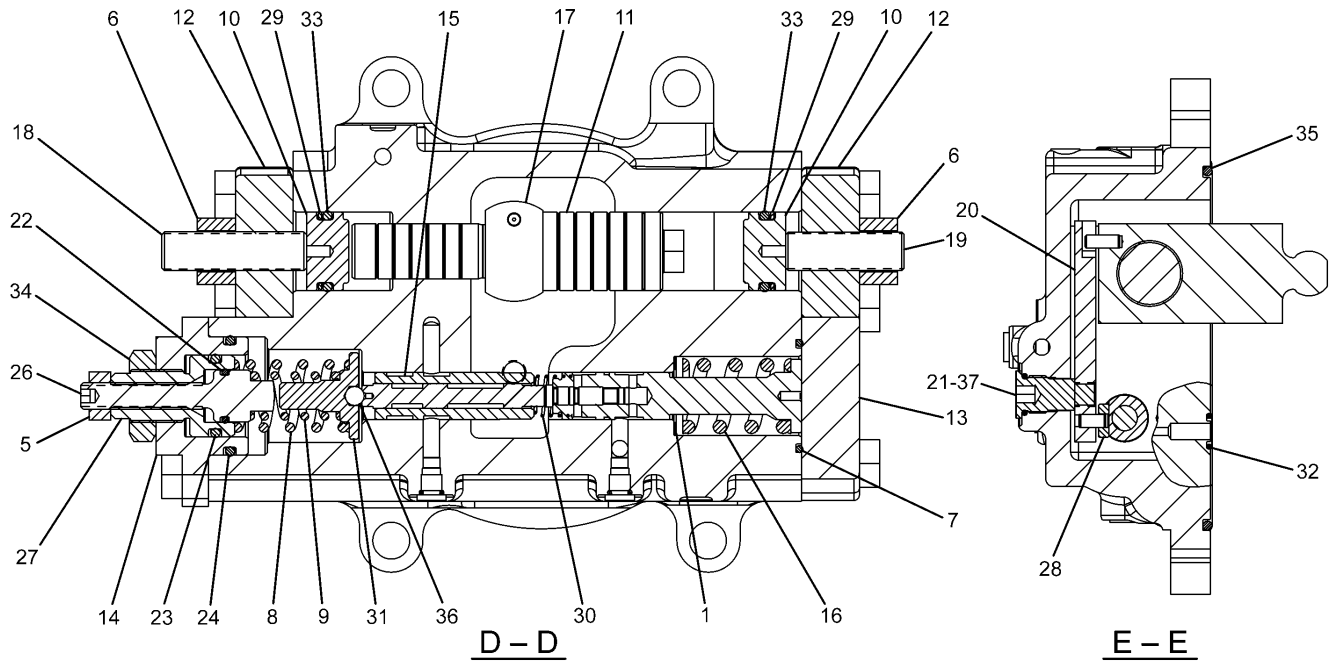
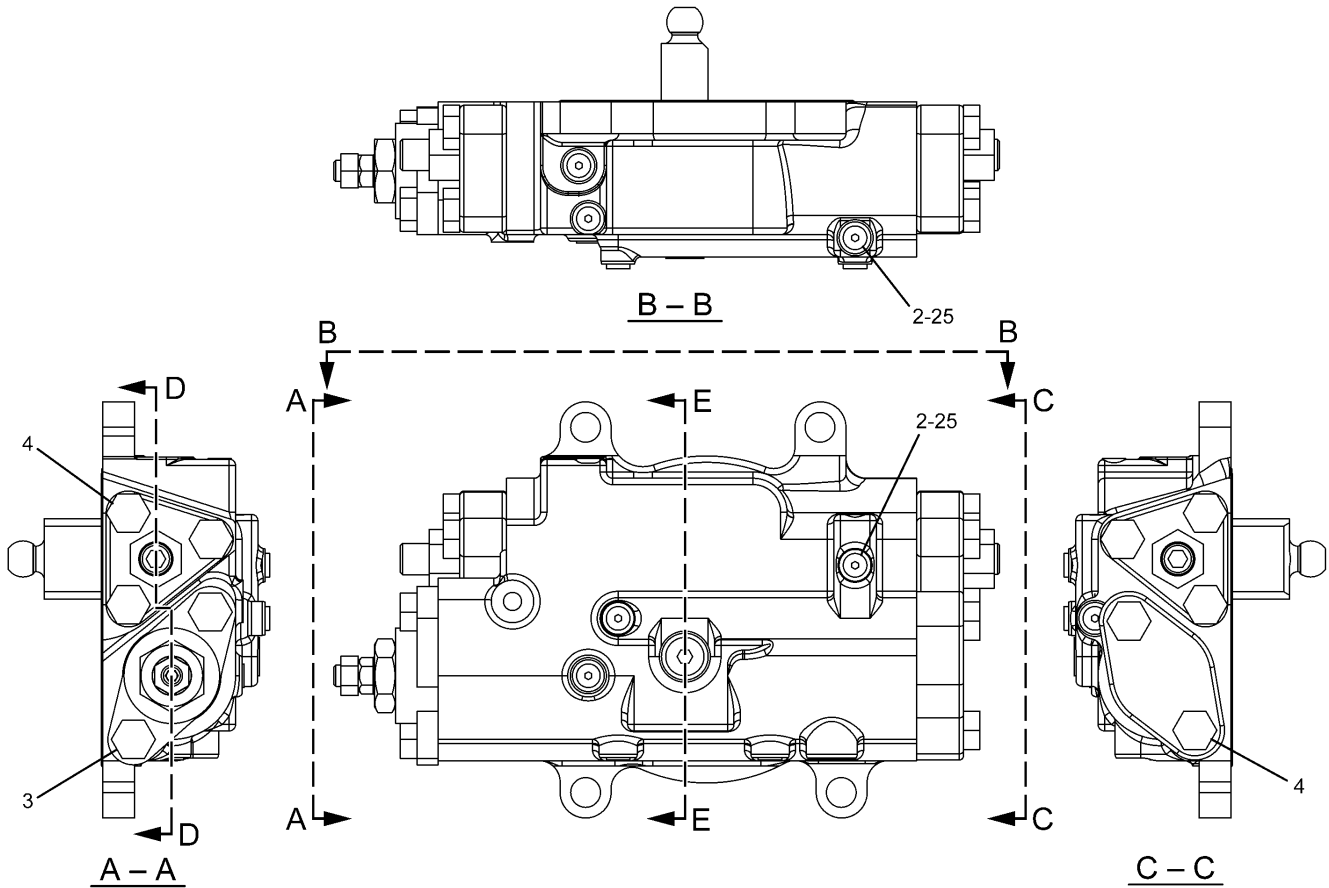
# HYDRAULIC SYSTEM



H97674E 10

**199-6374 PUMP GP-MAIN HYDRAULIC (2/2)**  
 Part of 201-3887-Page199

# HYDRAULIC SYSTEM



H97655E 25

**173-1168 HEAD GP-PUMP CONTROL**  
 S/N KHB 00911-Up  
 Part of 199-6374-Page203,199-6947-Page207

# MEMORANDA

# HYDRAULIC SYSTEM

Consists of :

			Page
1	209-5897	CYLINDER & SEAL GP-BUCKET .....	224.02
1	212-5228	LINES GP-BUCKET CYLINDER .....	238.01

H81961E 00

## 209-5896 CYLINDER & LINES GP-BUCKET

S/N KHB 1-00506  
Part of 211-6353-Page412  
An Attachment

Consists of :

			Page
1	248-7861	CYLINDER & SEAL GP-BUCKET .....	224.03
1	229-1044	LINES GP-BUCKET CYLINDER .....	238.02

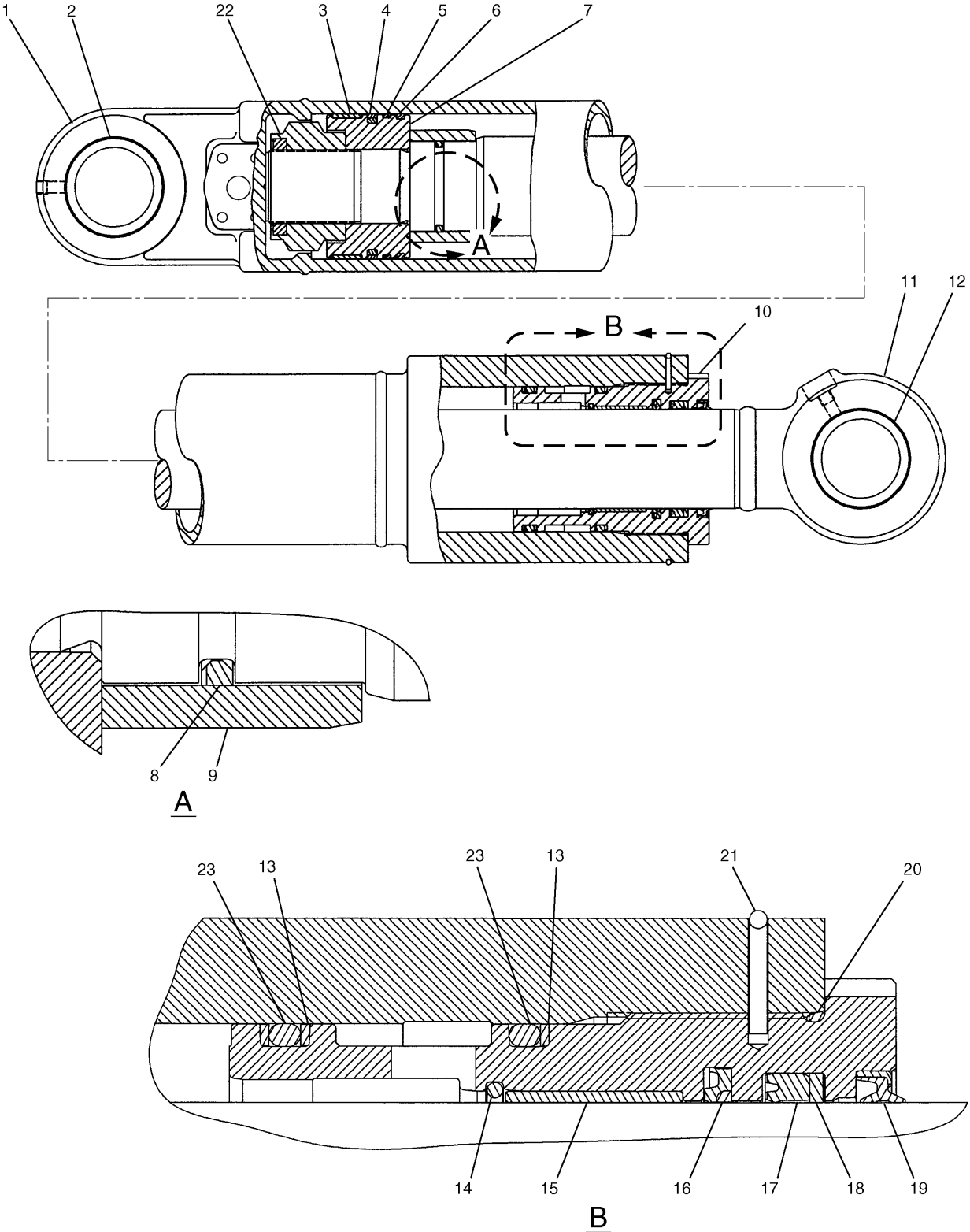
H87176E 00

## 248-7860 CYLINDER & LINES GP-BUCKET

S/N KHB 00507-Up  
Part of 251-2869-Page412  
An Attachment

# MEMORANDA

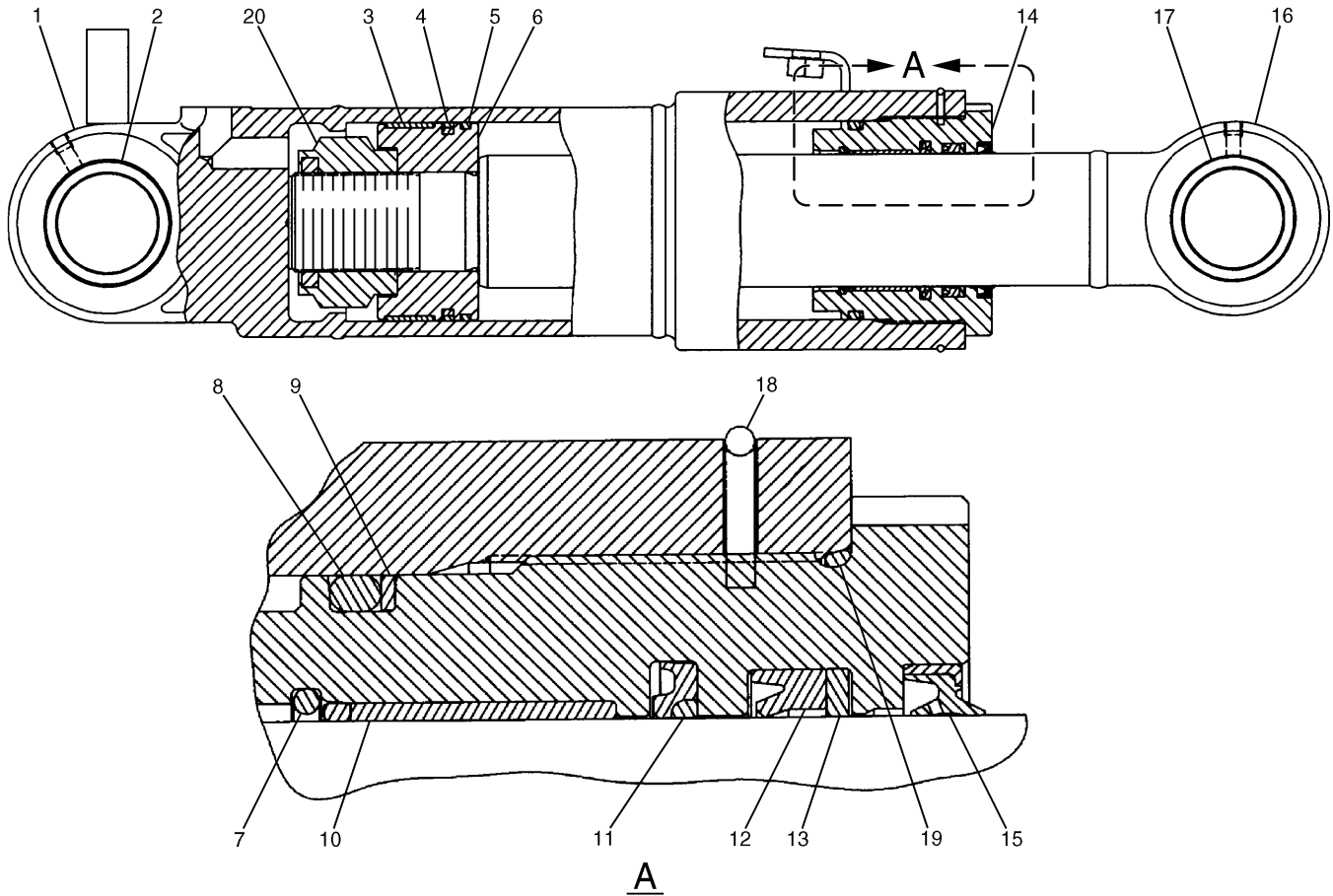
# HYDRAULIC SYSTEM



H85595E 01

**209-5898 CYLINDER GP-BUCKET**  
 S/N KHB 1-00506  
 Part of 209-5897-Page224.02  
 An Attachment

# HYDRAULIC SYSTEM

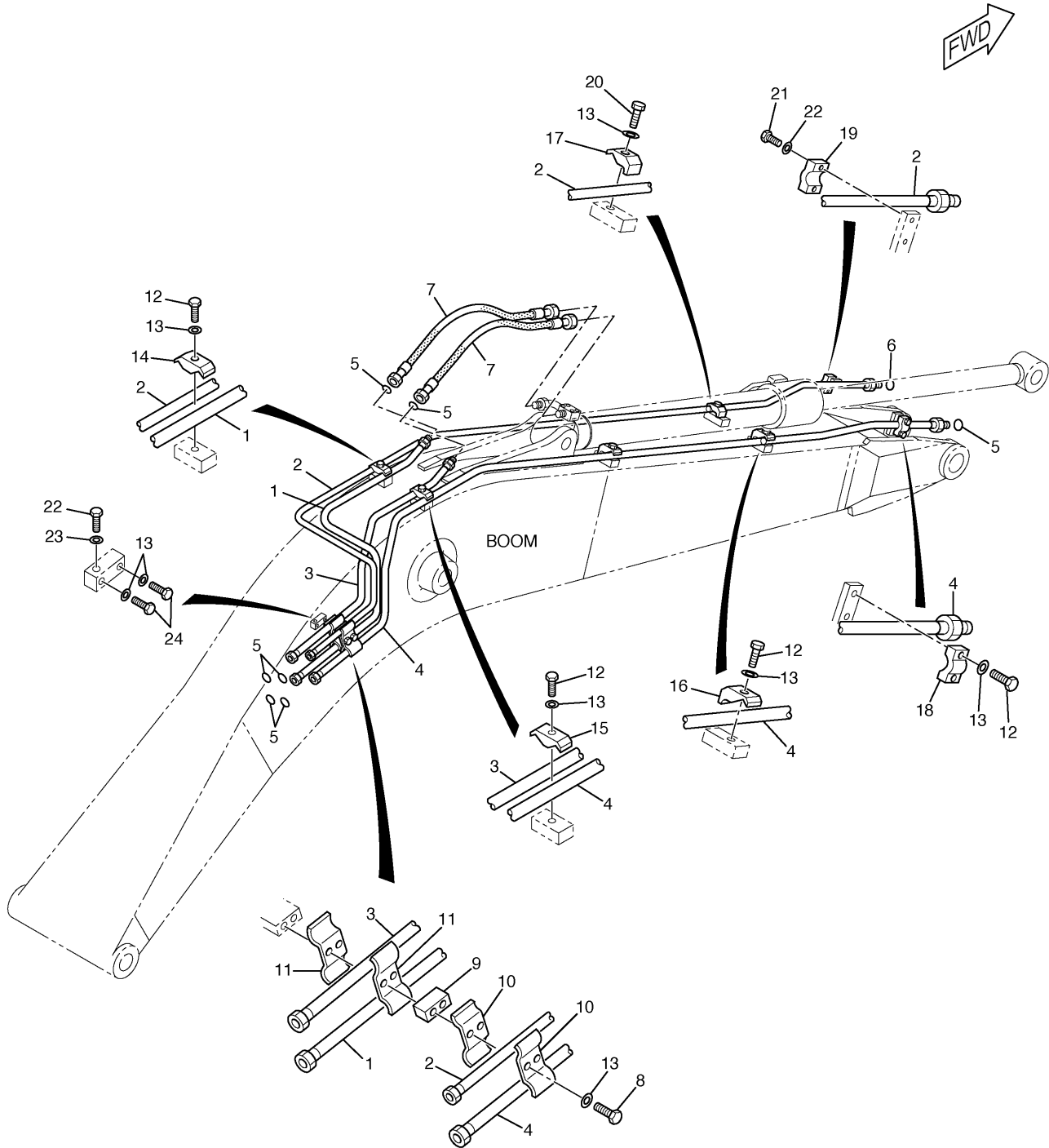


NOTE	No.	PART No.	QTY	PART NAME	NOTE	No.	PART No.	QTY	PART NAME
	1	170-9943	1	CYLINDER AS					THE FOLLOWING REPAIR KIT IS AVAILABLE: SEAL KIT (INCLUDES PARTS MARKED J)
	2	229-1093	1	BEARING					
J	3	119-5445	1	RING			170-9946	1	
J	4	9X-3592	1	SEAL AS					
J	5	143-8027	1	RING					
	6	125-1551	1	PISTON					
	7	096-8139	1	RING					
J	8	095-1628	1	SEAL-O-RING (ID=109.60mm)					
J	9	099-0681	1	RING					
	10	114-0755	1	BEARING					
J	11	170-9843	1	SEAL					
J	12	170-9859	1	SEAL					
J	13	096-1054	1	RING					
	14	123-9950	1	HEAD					
J	15	165-9285	1	SEAL					
	16	170-9945	1	ROD AS					
	17	229-1093	1	BEARING					
	18	099-0695	1	RING					
J	19	095-1676	1	SEAL-O-RING (ID=119.40mm)					
	20	143-8151	1	LOCKNUT					

H85601E 01

**170-9810 CYLINDER GP-BLADE**  
Right Hand  
Part of 170-9805-Page226  
An Attachment

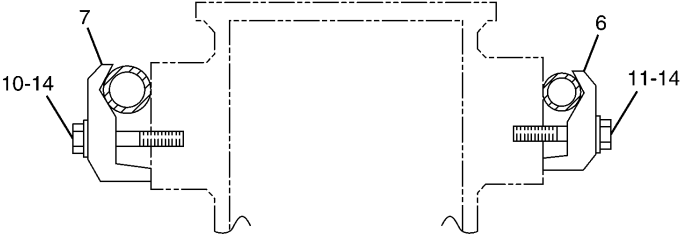
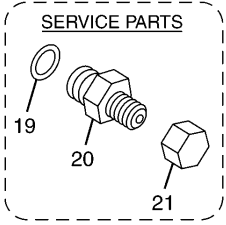
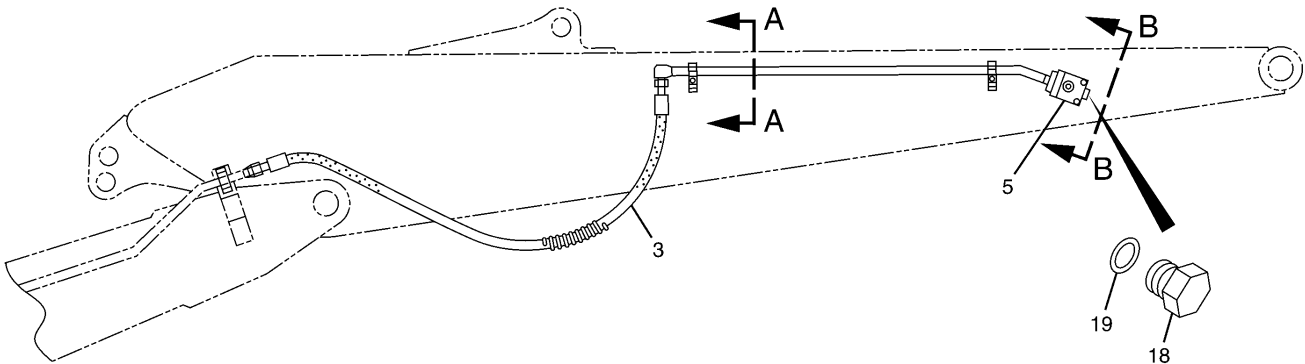
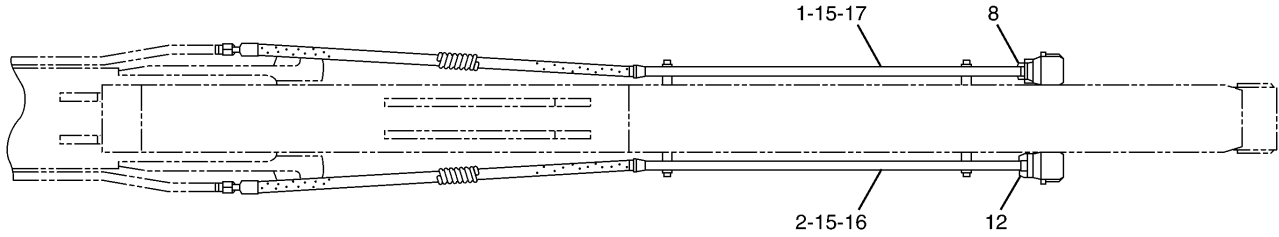
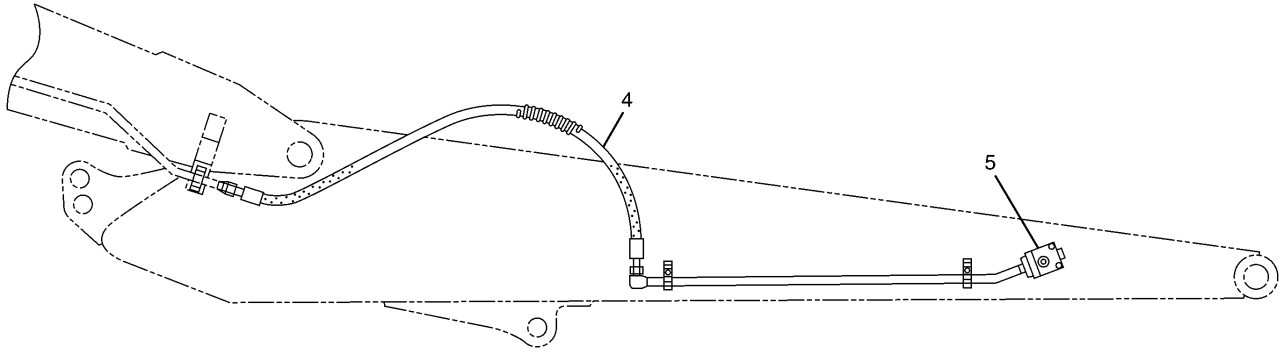
# HYDRAULIC SYSTEM



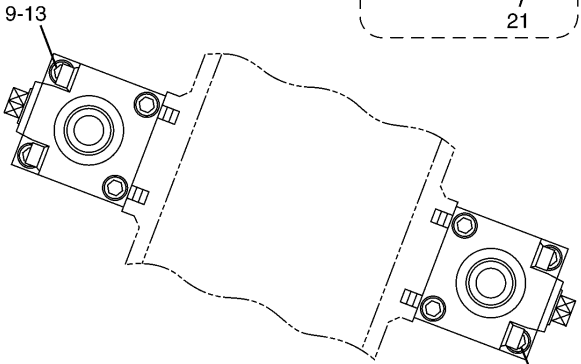
H77480E 03

**194-8916 LINES GP-BOOM**  
Part of 194-8913-Page408  
An Attachment

# HYDRAULIC SYSTEM



**A - A**

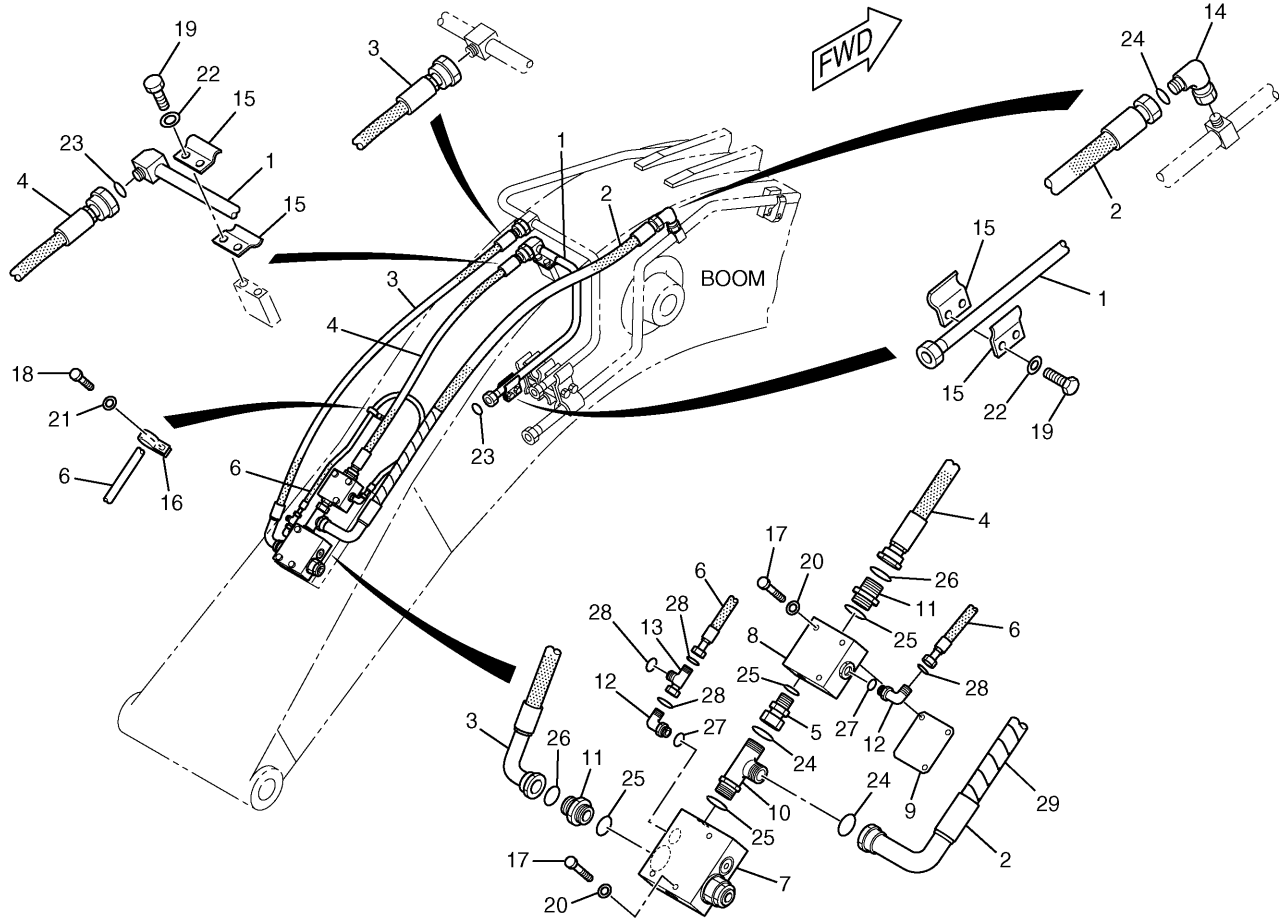


**B - B**

H98173E 05

**116-9202 LINES GP-AUXILIARY HYDRAULIC**  
 R3.0 Stick  
 Part of 187-9966-Page246  
 282-5894-Page353.04  
 An Attachment

# HYDRAULIC SYSTEM



NOTE	No.	PART No.	QTY	PART NAME	NOTE	No.	PART No.	QTY	PART NAME
	1	202-6987	1	TUBE AS		21	8T-4121	1	WASHER
	2	202-6988	1	HOSE AS		22	8T-4223	4	WASHER
	3	202-6992	1	HOSE AS		23	4I-8889	2	SEAL
	4	202-6996	1	HOSE AS		24	5K-9090	3	SEAL-O-RING (OD=27.22mm)
	5	202-7000	1	COUPLING AS		25	7M-8485	4	SEAL-O-RING (ID=29.74mm)
	6	4I-5900	1	HOSE AS		26	6V-9746	2	SEAL-O-RING (OD=22.50mm)
	7	185-0498	1	VALVE GP		27	3J-1907	2	SEAL-O-RING (ID=11.89mm)
	8	185-0495	1	VALVE GP		28	6V-8397	4	SEAL-O-RING (OD=12.83mm)
	9	193-6486	1	PLATE	E	29	7Y-5074	1	GUARD... (60cm)
	10	6V-8785	1	TEE					
	11	6V-8716	2	CONNECTOR					
	12	6V-8724	2	ELBOW					
	13	6V-9836	1	TEE					
	14	6V-9854	1	ELBOW					
	15	7Y-4868	4	CLIP					
	16	6D-4244	1	CLIP					
	17	8T-6870	6	BOLT (L=70mm)					
	18	8T-4191	1	BOLT (L=16mm)					
	19	8T-4139	4	BOLT (L=30mm)					
	20	8T-4224	6	WASHER					

E-ORDER BY THE CENTIMETER

HA1989E 03

**202-6768 LINES GP-AUXILIARY HYDRAULIC**  
 Part of 165-0987-Page264  
 An Attachment

CLICK HERE TO **DOWNLOAD** THE COMPLETE MANUAL

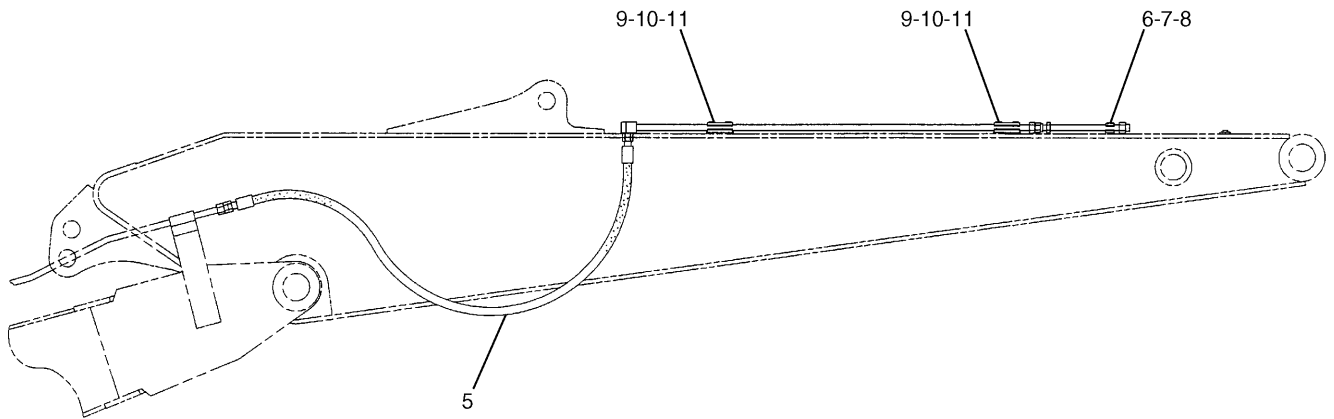
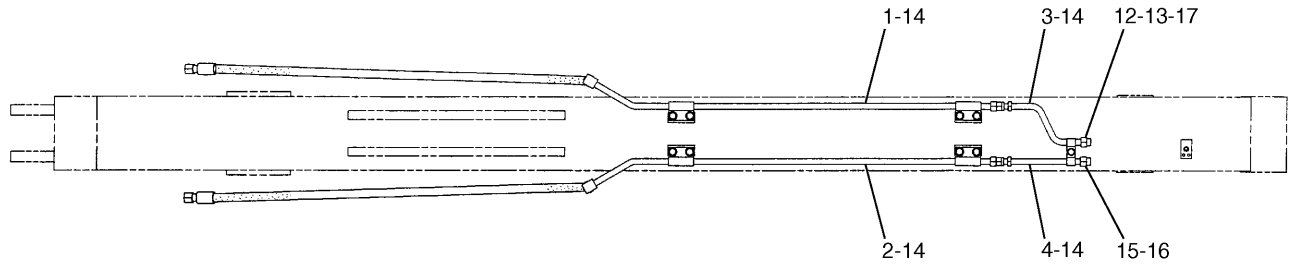
- Thank you very much for reading the preview of the manual.
- You can download the complete manual from: [www.heydownloads.com](http://www.heydownloads.com) by clicking the link below



- Please note: If there is no response to CLICKING the link, please download this PDF first and then click on it.

CLICK HERE TO **DOWNLOAD** THE COMPLETE MANUAL

# HYDRAULIC SYSTEM



NOTE	No.	PART No.	QTY	PART NAME	NOTE	No.	PART No.	QTY	PART NAME
	1	198-0570	1	TUBE AS					
	2	198-0574	1	TUBE AS					
	3	198-0578	1	TUBE AS					
	4	198-0582	1	TUBE AS					
	5	193-6549	2	HOSE AS					
	6	198-0370	2	CLIP					
	7	8T-4195	1	BOLT (L=30mm)					
	8	8T-4121	1	WASHER					
	9	5Q-4212	8	CLIP					
	10	8T-4139	8	BOLT (L=30mm)					
	11	8T-4223	8	WASHER					
	12	9X-6582	1	NUT					
	13	6V-8935	1	REDUCER					
	14	6V-8398	6	SEAL-O-RING (OD=16.03mm)					
	15	6V-8936	1	REDUCER AS					
	16	6V-8397	1	SEAL-O-RING (OD=12.83mm)					
	17	4J-5477	1	SEAL-O-RING (OD=11.23mm)					

H85566E 03

## 198-0422 LINES GP-QUICK COUPLER

R3.0 Stick  
Part of 198-0395-Page410  
An Attachment

# HYDRAULIC SYSTEM

Consists of :

			Page
1	153-8759	CONTROL GP-HYDRAULIC.....	309
1	202-1528	FILM GP.....	465
1	202-6768	LINES GP-AUXILIARY HYDRAULIC.....	256
1	194-8917	LINES GP-FRONT.....	282
1	194-8918	LINES GP-PILOT.....	276
1	194-8919	LINES GP-PILOT.....	274

H96602E 02

## 165-0987 CONTROL AR-AUXILIARY An Attachment

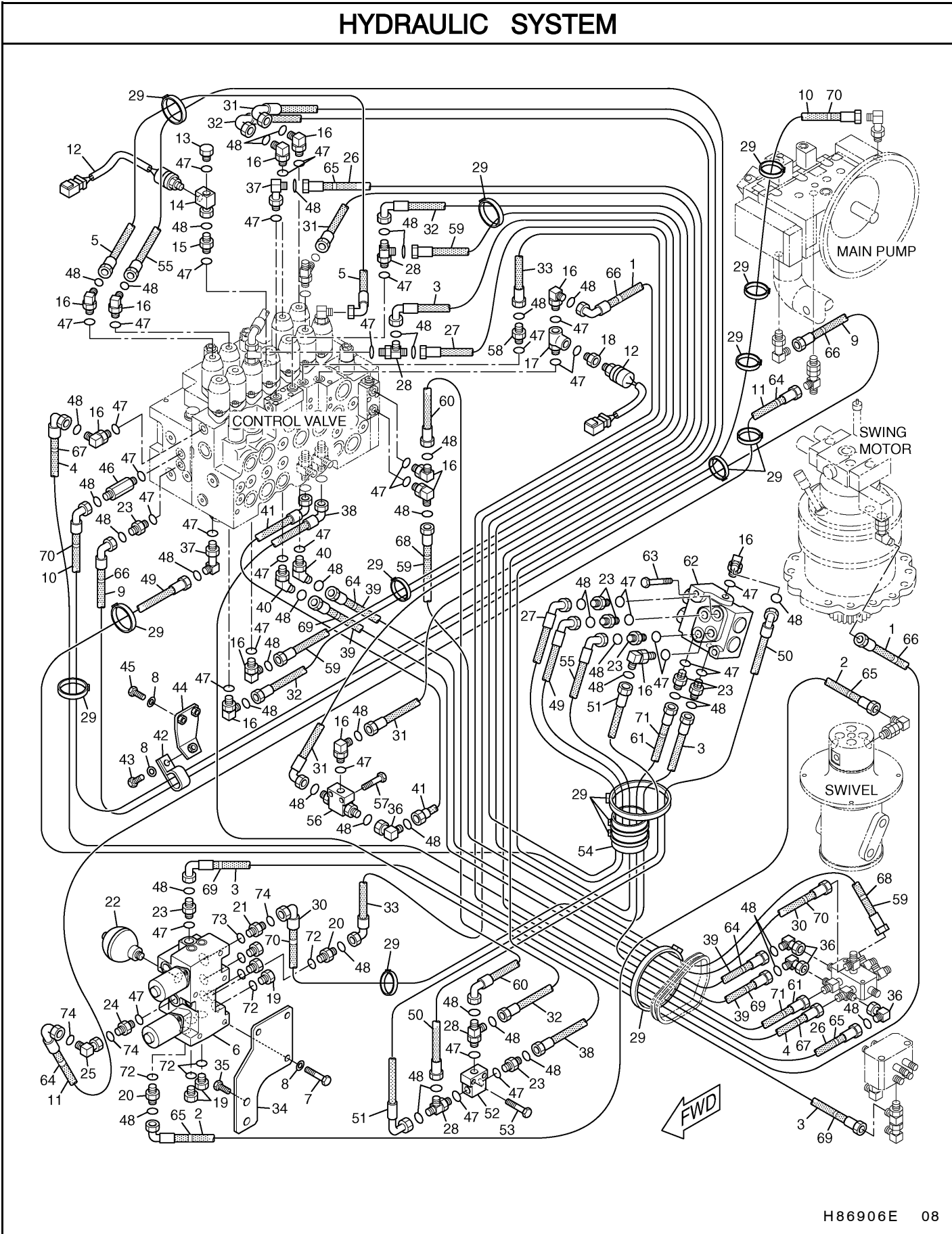
Consists of :

			Page
1	204-1878	WIRING GP-QUICK COUPLER.....	77.01
1	210-9908	WIRING GP-CONSOLE.....	111
1	211-6238	LINES GP-FRONT.....	283.01

H82627E 03

## 210-9700 CONTROL AR-QUICK COUPLER An Attachment

# HYDRAULIC SYSTEM



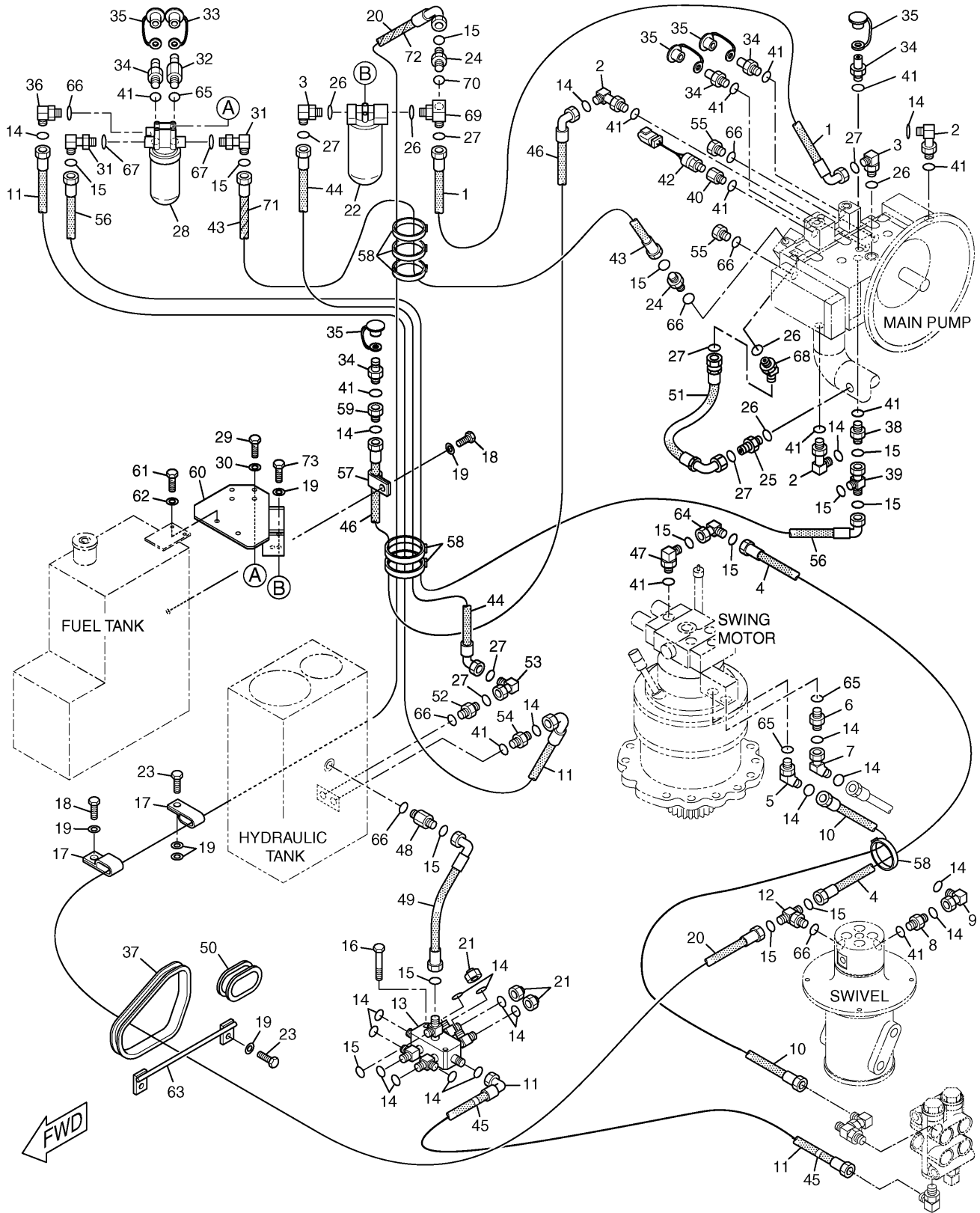
H86906E 08

194-8912 LINES GP-PILOT

S/N KHB 1-00506

164-6981-Page218,158-8266-Page336,232-4102-Page338,123-2430-Page353

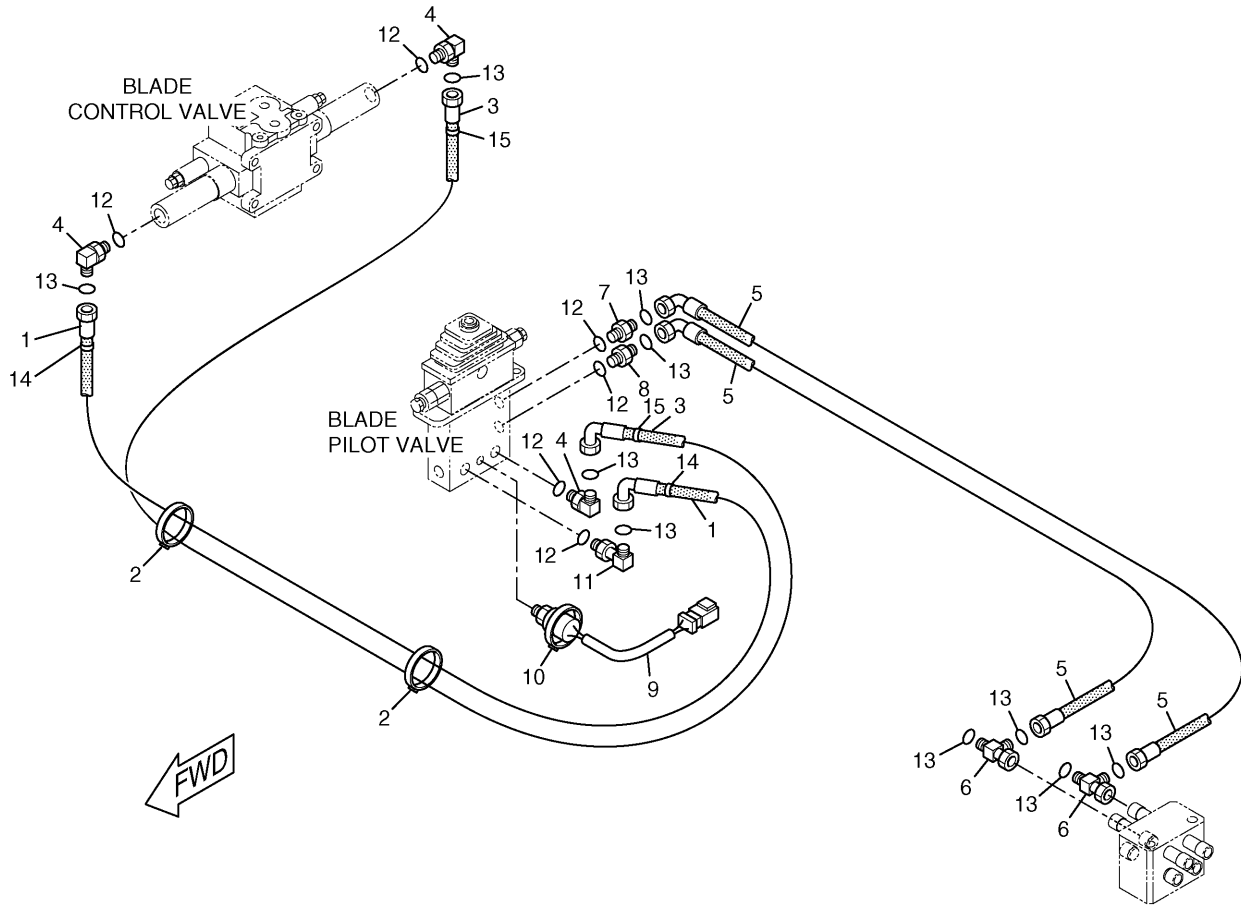
# HYDRAULIC SYSTEM



H96606E 08

202-1571 LINES GP-PILOT  
 S/N KHB 00907-Up  
 289-8194-Page212.01,158-8987-Page213

# HYDRAULIC SYSTEM

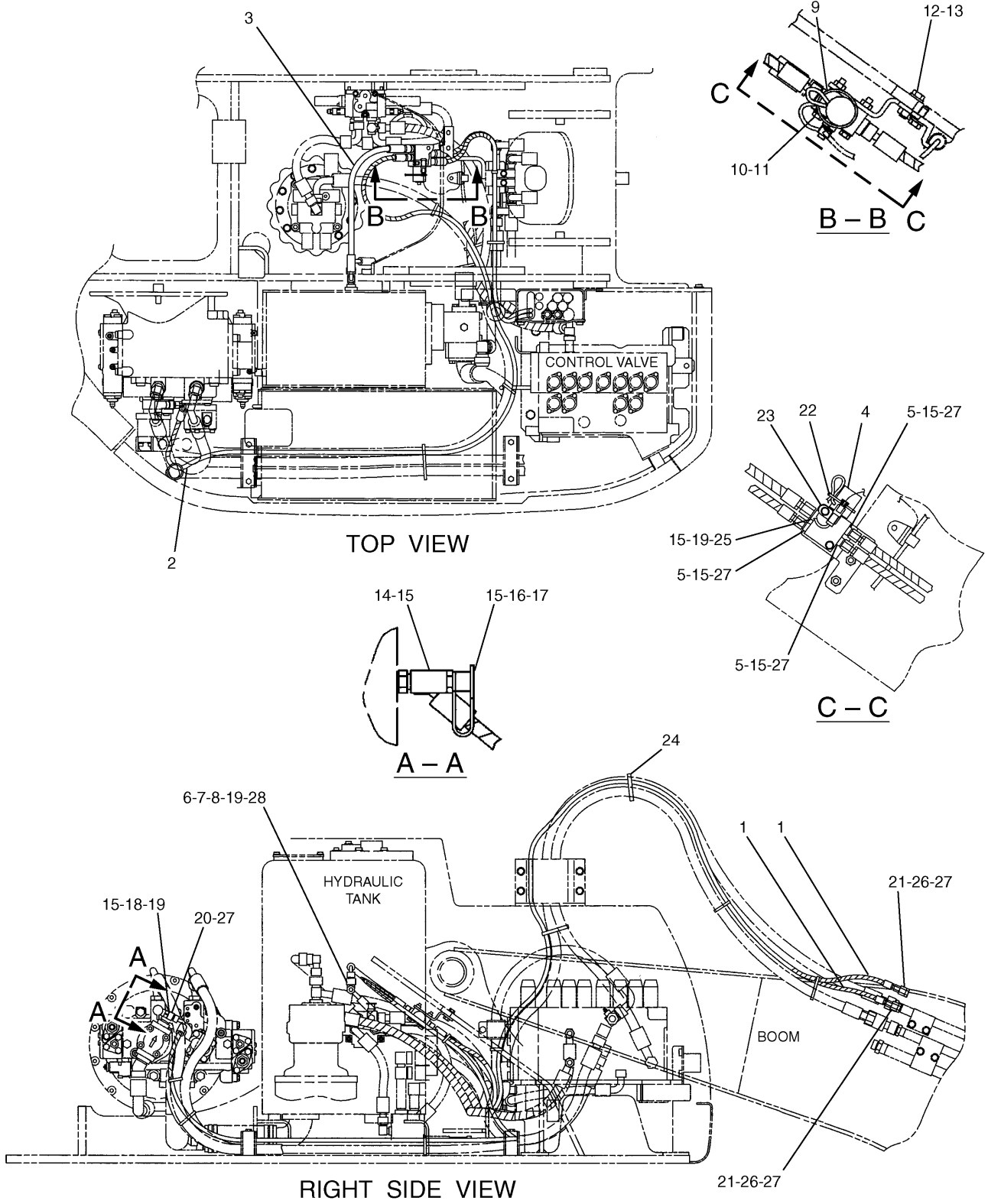


NOTE	No.	PART No.	QTY	PART NAME	NOTE	No.	PART No.	QTY	PART NAME
	1	087-5775	1	HOSE AS (NOM 06, L=1130mm)					
	2	7K-1181	2	STRAP					
	3	087-5777	1	HOSE AS (NOM 06, L=1600mm)					
	4	6V-8724	3	ELBOW					
	5	087-4411	2	HOSE AS (NOM 06, L=450mm)					
	6	6V-9836	2	TEE					
	7	6V-8636	1	CONNECTOR					
	8	107-6631	1	CONNECTOR					
	9	167-3466	1	SWITCH AS (PRESSURE)					
		102-8802	1	RECEPTACLE KIT					
		9X-3401	2	PIN					
	10	3S-2093	1	STRAP					
	11	8T-1905	1	ELBOW					
	12	3J-1907	6	SEAL-O-RING (ID=11.89mm)					
	13	6V-8397	10	SEAL-O-RING (OD=12.83mm)					
	14	4I-9527	2	BAND (R3, GREEN)					
	15	4I-9528	2	BAND (R4, PURPLE)					

H82560E 02

**194-8923 LINES GP-PILOT**  
 Blade  
 S/N KHB 1-00506  
 Part of 194-8921-Page413  
 An Attachment

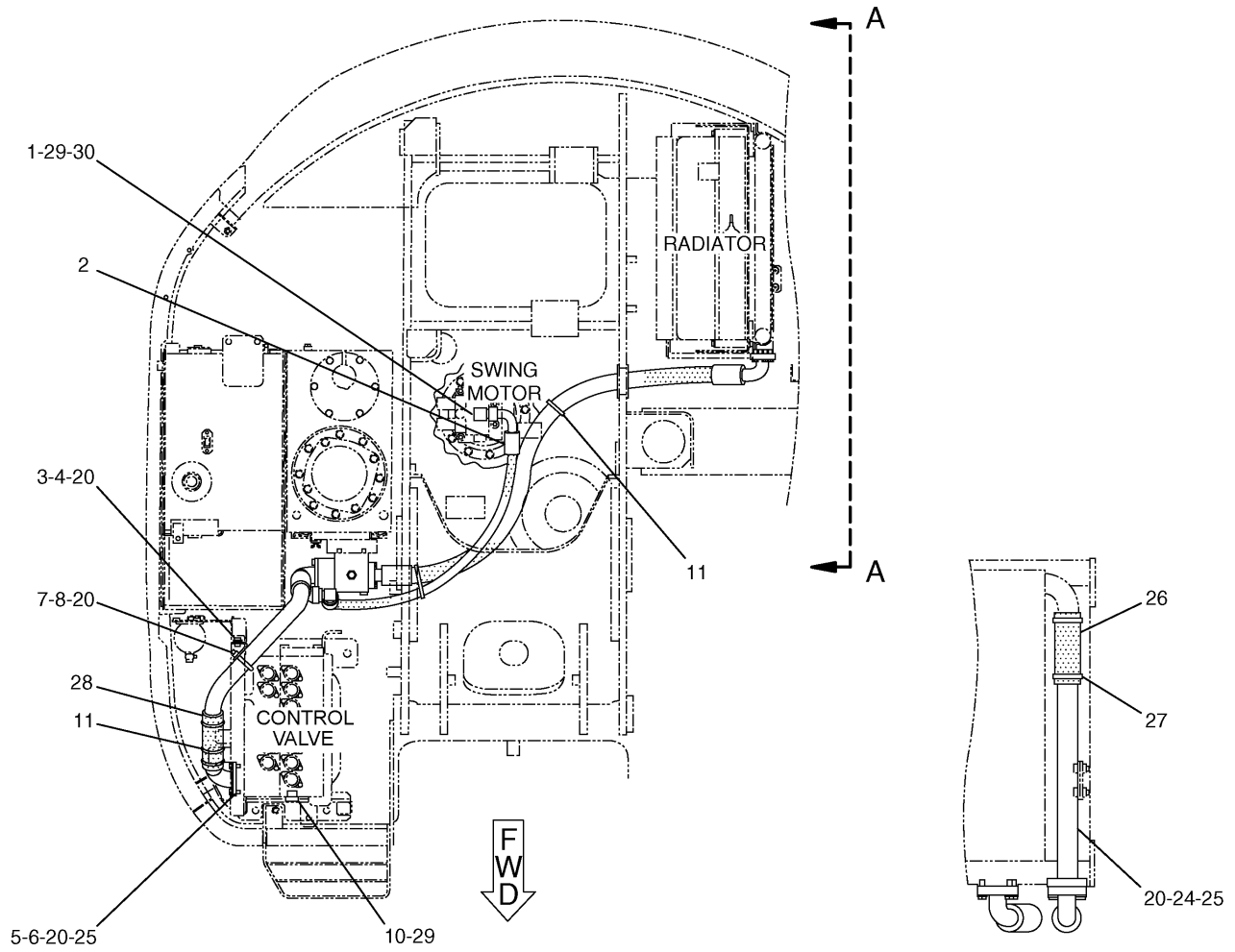
# HYDRAULIC SYSTEM



HA1960E 02

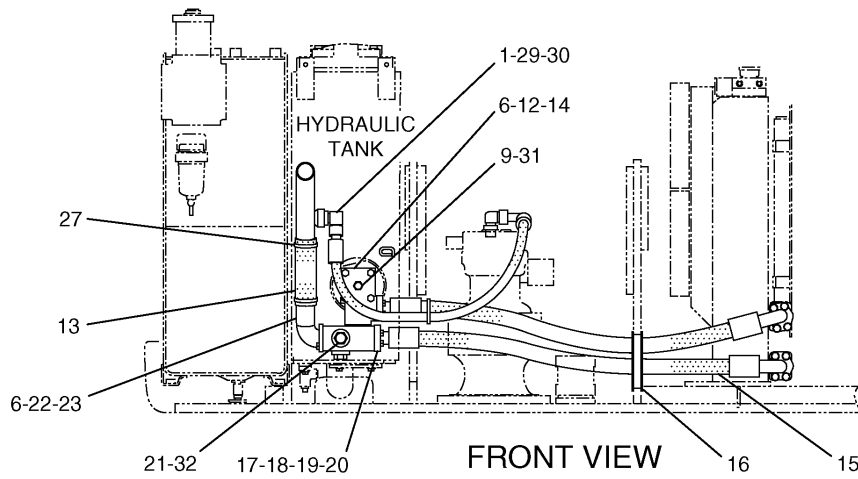
**211-6238 LINES GP-FRONT**  
 Quick Coupler  
 S/N KHB (T05.09)-Up  
 Part of 210-9700-Page264  
 247-6295-Page353.02  
 An Attachment

# HYDRAULIC SYSTEM



TOP VIEW

A - A

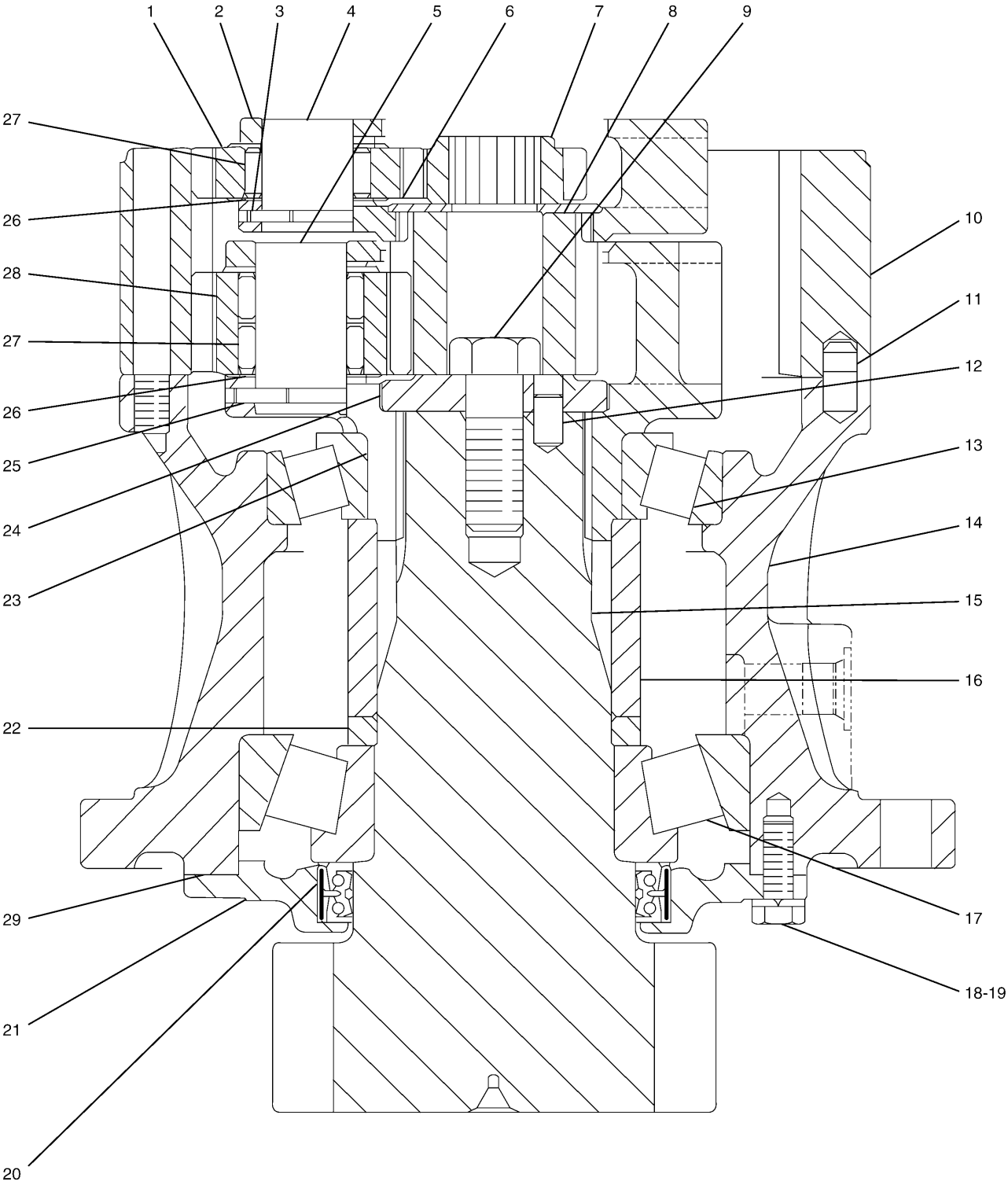


FRONT VIEW

H93260E 04

**194-8909 LINES GP-RETURN & FILTER**  
S/N KHB 1-00405  
185-0392-Page342

# HYDRAULIC SYSTEM

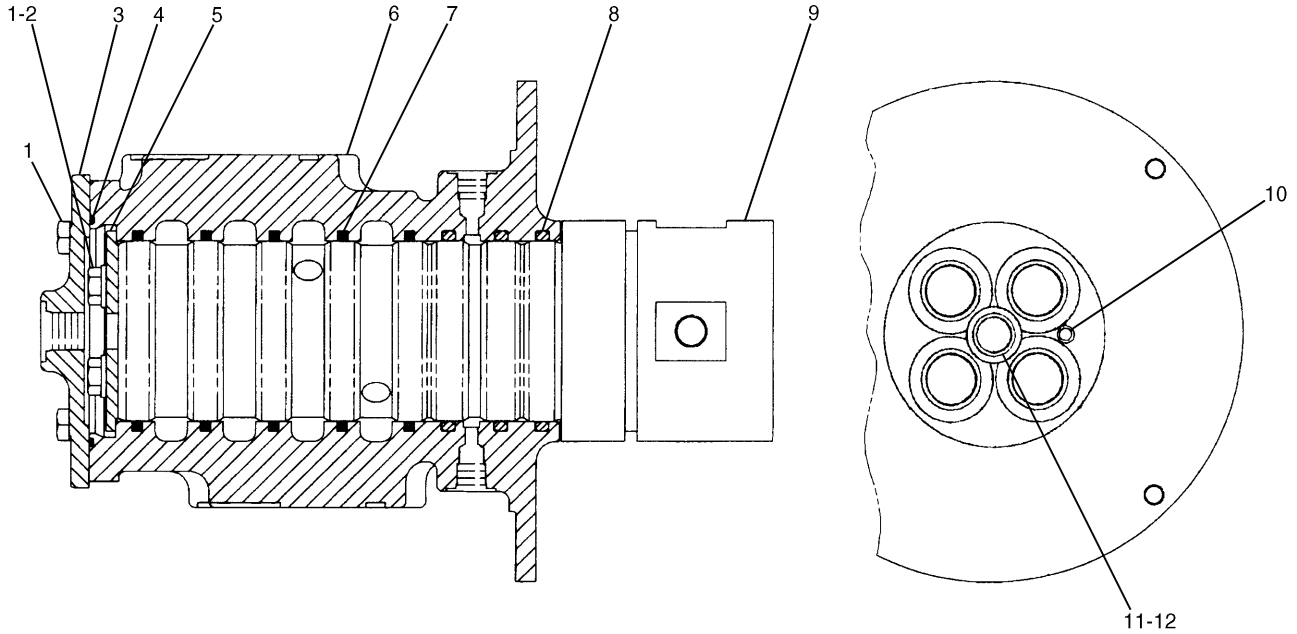


H72135E 03

169-5549 DRIVE GP-SWING

Part of 191-2594-Page292

# HYDRAULIC SYSTEM

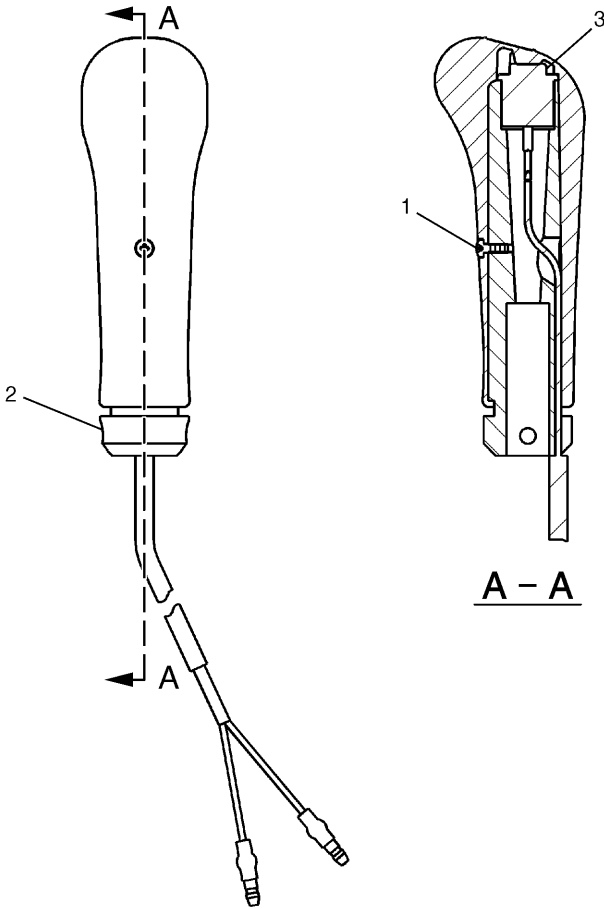


NOTE	No.	PART No.	QTY	PART NAME	NOTE	No.	PART No.	QTY	PART NAME
	1	8 T-4136	6	BOLT (L=25mm)					
	2	8 T-4121	2	WASHER					
	3	5 I-4363	1	COVER					
	4	095-1716	1	SEAL-O-RING (ID=109.40mm)					
	5	7 I-7321	1	RETAINER					
	6	4 I-7604	1	HOUSING					
	7	159-7782	5	SEAL					
	8	095-1625	3	SEAL-O-RING (ID=89.60mm)					
	9	4 I-7605	1	ROTOR					
	10	8 T-6759	1	PLUG					
	11	3 K-0360	1	SEAL-O-RING (ID=16.36mm)					
	12	9 S-8005	1	PLUG					

H64310E 00

**162-4696 SWIVEL GP**  
Part of 194-8906-Page261

# HYDRAULIC SYSTEM

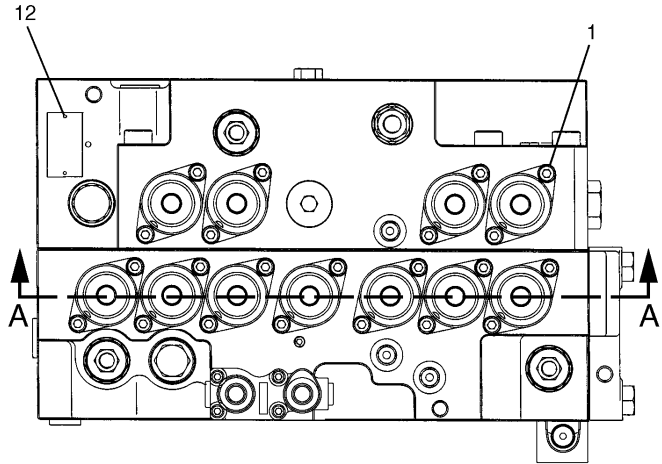
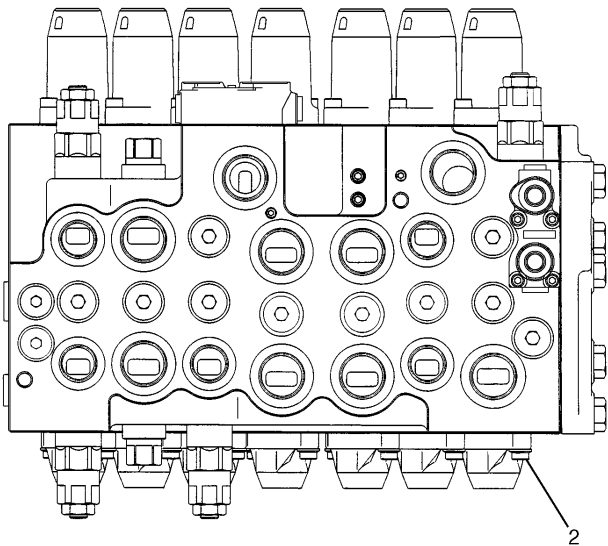


NOTE	No.	PART No.	QTY	PART NAME	NOTE	No.	PART No.	QTY	PART NAME
	1	61-5298	1	SCREW					
	2	124-4009	1	SHAFT					
	3	222-0225	1	SWITCH AS					

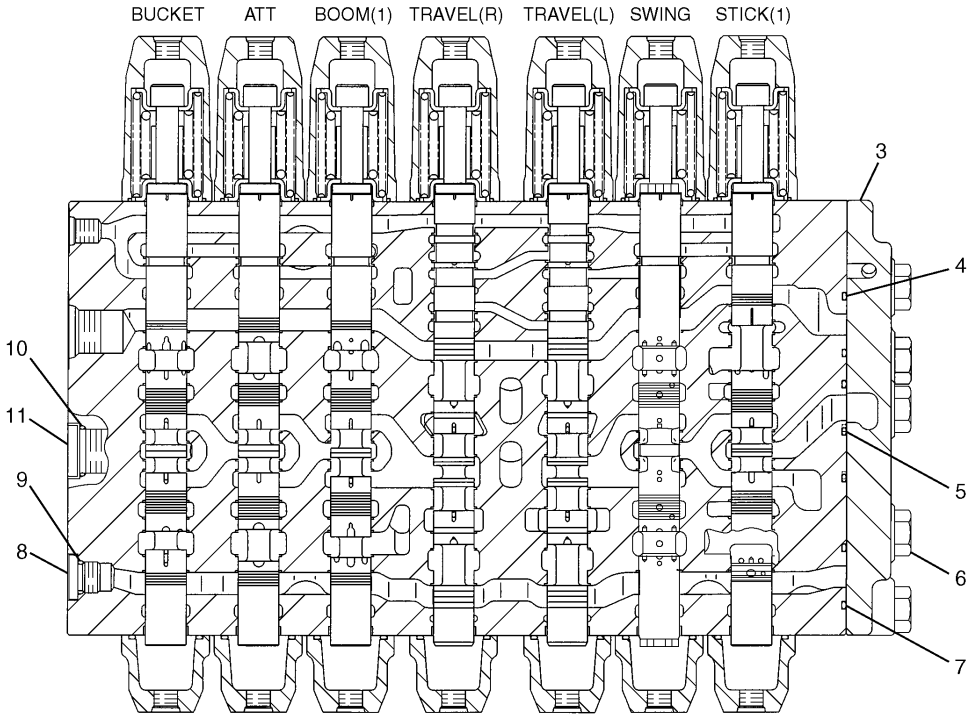
H82959E 03

**167-7052 KNOB AS**  
Part of 164-0532-Page302

# HYDRAULIC SYSTEM



TOP VIEW

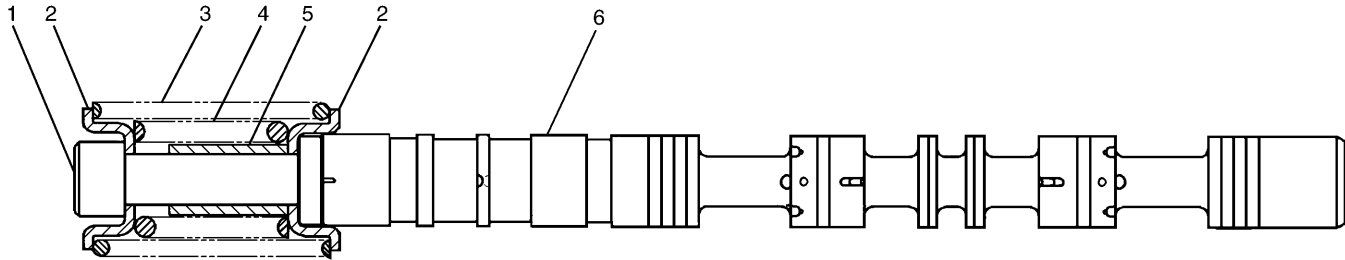


A - A

H85569E 02

**206-3338 VALVE GP-MAIN CONTROL (1/5)**  
Part of 215-4858-Page311.01

# HYDRAULIC SYSTEM

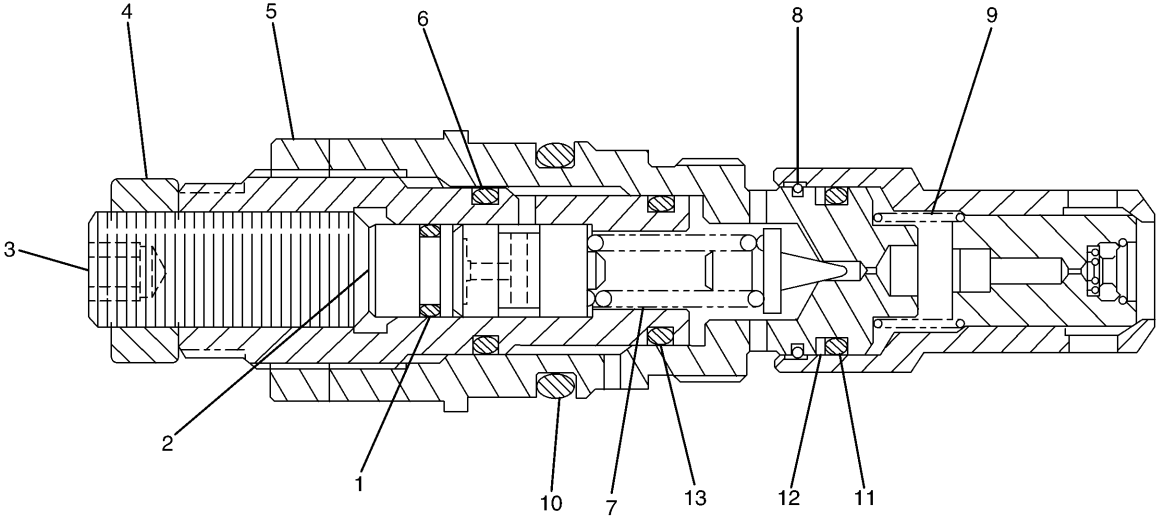


NOTE	No.	PART No.	QTY	PART NAME	NOTE	No.	PART No.	QTY	PART NAME
	1	197-0148	1	BOLT					
	2	71-7203	2	SEAT					
	3	197-0151	1	SPRING					
	4	197-0150	1	SPRING					
	5	197-0149	1	STOPPER					
	6	197-0220	1	SPOOL					

H72157E 00

**197-0219 VALVE GP-CONTROL**  
Part of 206-3338-Page319

# HYDRAULIC SYSTEM

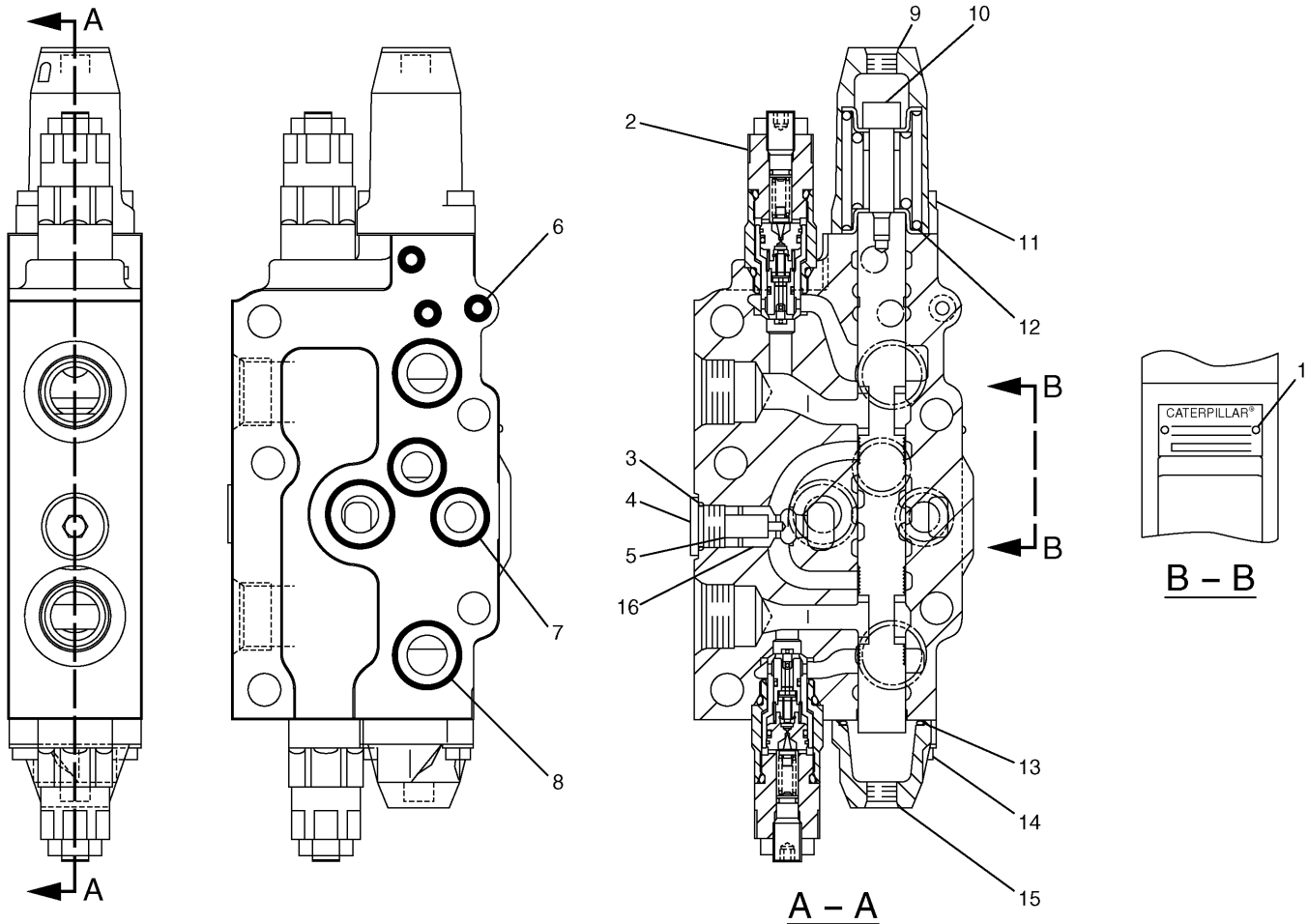


NOTE	No.	PART No.	QTY	PART NAME	NOTE	No.	PART No.	QTY	PART NAME
	1	095-1575	1	SEAL-O-RING (ID=7.80mm)					
	2	71-8096	1	STOPPER					
	3	71-8098	1	SETSCREW					
	4	6V-8821	1	NUT					
	5	71-8100	1	NUT					
	6	095-1584	1	SEAL-O-RING (ID=15.80mm)					
	7	71-8087	1	SPRING					
	8	71-8095	1	RING					
	9	71-8081	1	SPRING					
	10	095-1593	1	SEAL-O-RING (ID=24.70mm)					
	11	095-1519	1	SEAL-O-RING (ID=15.80mm)					
	12	095-1783	1	RING					
	13	095-1582	1	SEAL-O-RING (ID=13.80mm)					

H78635E 00

**206-3165 VALVE GP-RELIEF**  
Part of 206-3338-Page321

# HYDRAULIC SYSTEM



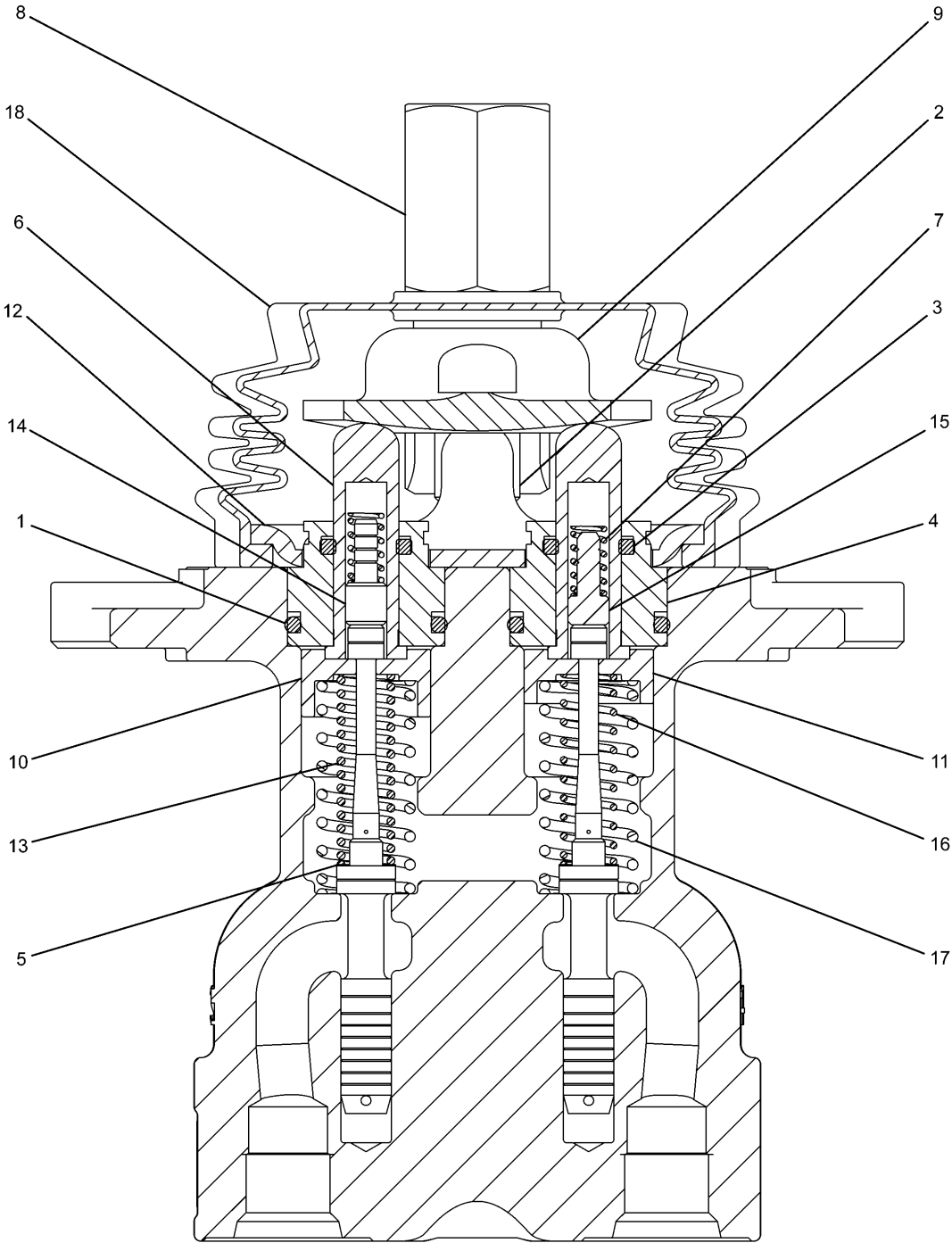
NOTE	No.	PART No.	QTY	PART NAME	NOTE	No.	PART No.	QTY	PART NAME
	1	5B-9304	2	SCREW					
Y	2	197-0223	2	VALVE GP					
	3	095-1586	1	SEAL-O-RING (ID=19.80mm)					
	4	71-7206	1	PLUG					
	5	71-7207	1	SPRING					
	6	095-1578	3	SEAL-O-RING (ID=9.80mm)					
	7	095-1696	2	SEAL-O-RING (ID=24.40mm)					
	8	095-1698	3	SEAL-O-RING (ID=29.40mm)					
	9	197-0170	1	COVER					
Y	10	197-0173	1	VALVE GP					
	11	5A-3604	2	BOLT (L=25mm)					
	12	71-7204	1	SEAL-O-RING (ID=35.80mm)					
	13	095-1700	1	SEAL-O-RING (ID=34.40mm)					
	14	197-0165	2	BOLT					
	15	197-0168	1	COVER					
	16	71-7208	1	VALVE					

Y-SEE SEPARATE ILLUSTRATION

H72136E 02

**171-0006 VALVE GP-CONTROL**  
 Part of 215-4858-Page311.01  
 197-0173-Page325,197-0223-Page333  
 An Attachment

# HYDRAULIC SYSTEM



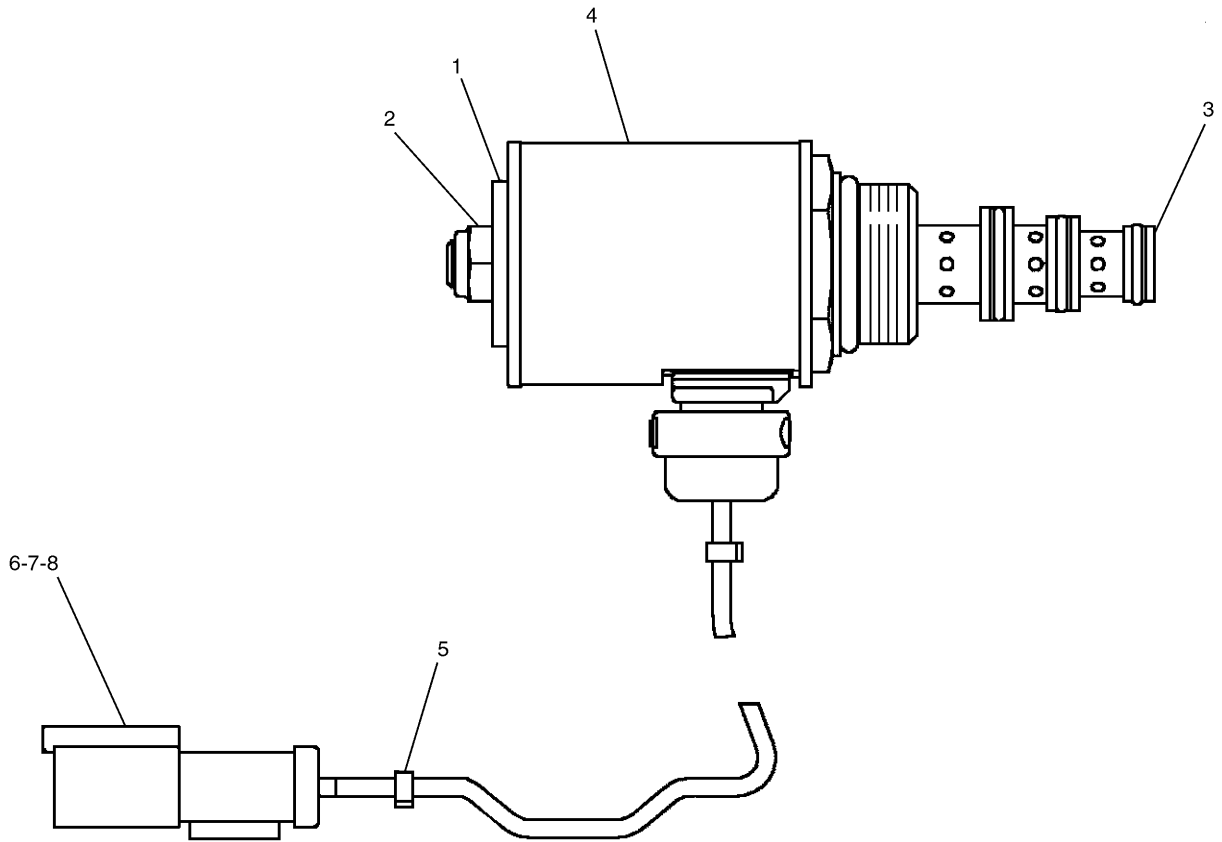
PORTS 2 & 4

PORTS 1 & 3

HA1726E 00

**297-0589 VALVE GP-PILOT**  
S/N KHB 01086-Up  
Part of 206-3303-Page300.01,206-3304-Page301.01

# HYDRAULIC SYSTEM

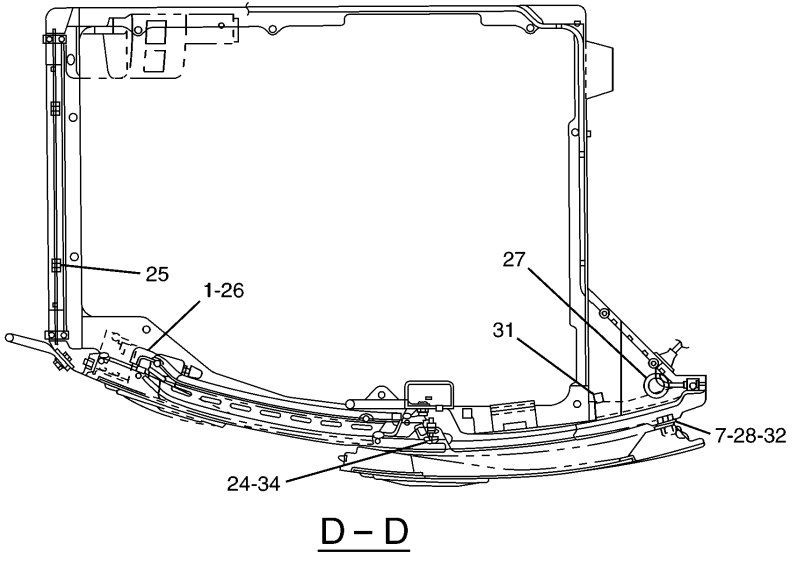
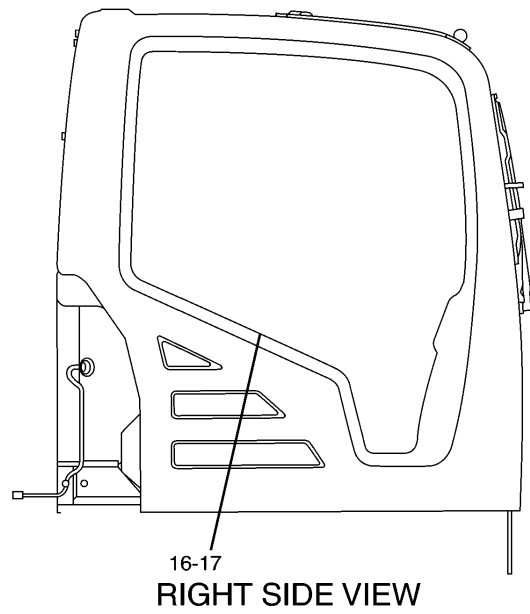
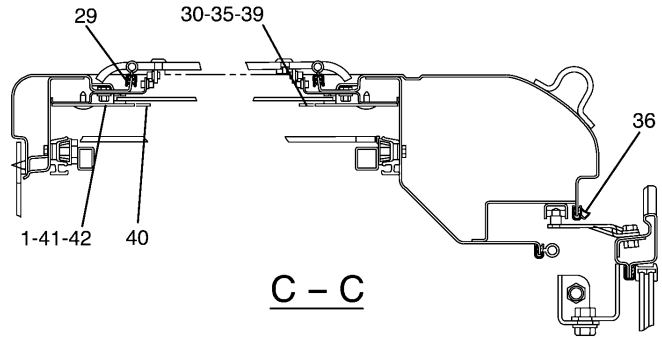
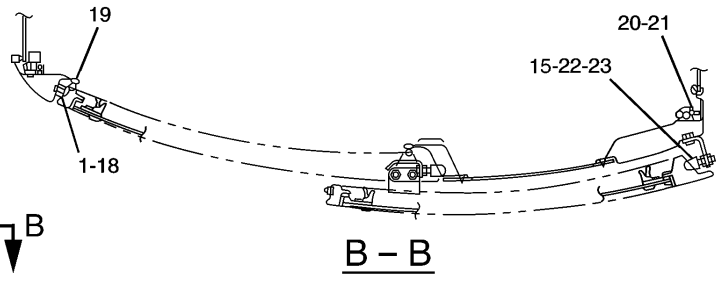
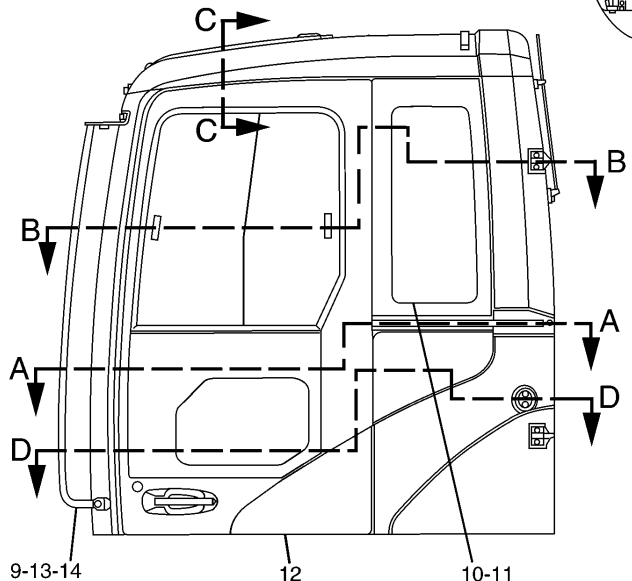
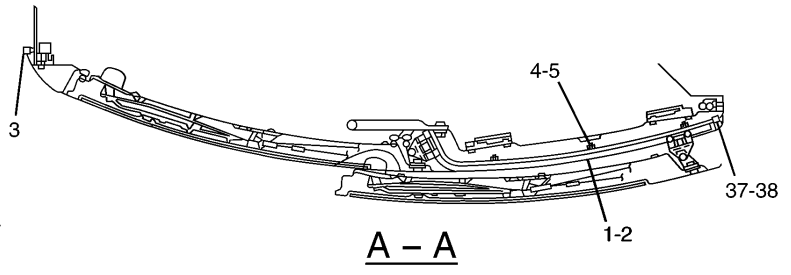
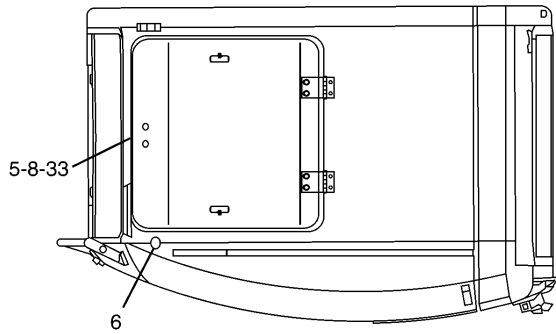


NOTE	No.	PART No.	QTY	PART NAME	NOTE	No.	PART No.	QTY	PART NAME
	1	8C-9987	1	WASHER					
	2	111-0343	1	LOCKNUT					
	3	170-7485	1	CARTRIDGE AS					
	4	189-0189	1	COIL AS					
	5	1S-9593	2	STRAP					
	6	102-8802	1	RECEPTACLE KIT					
	7	3E-3365	1	WEDGE					
	8	186-3735	2	PIN					
				THE FOLLOWING REPAIR KIT IS AVAILABLE:					
		109-3036	1	SEAL KIT					

H82252E 02

**152-8346 VALVE GP-SOLENOID**  
 S/N KHB 1-(T05.08)  
 Part of 211-6238-Page283.02  
 An Attachment

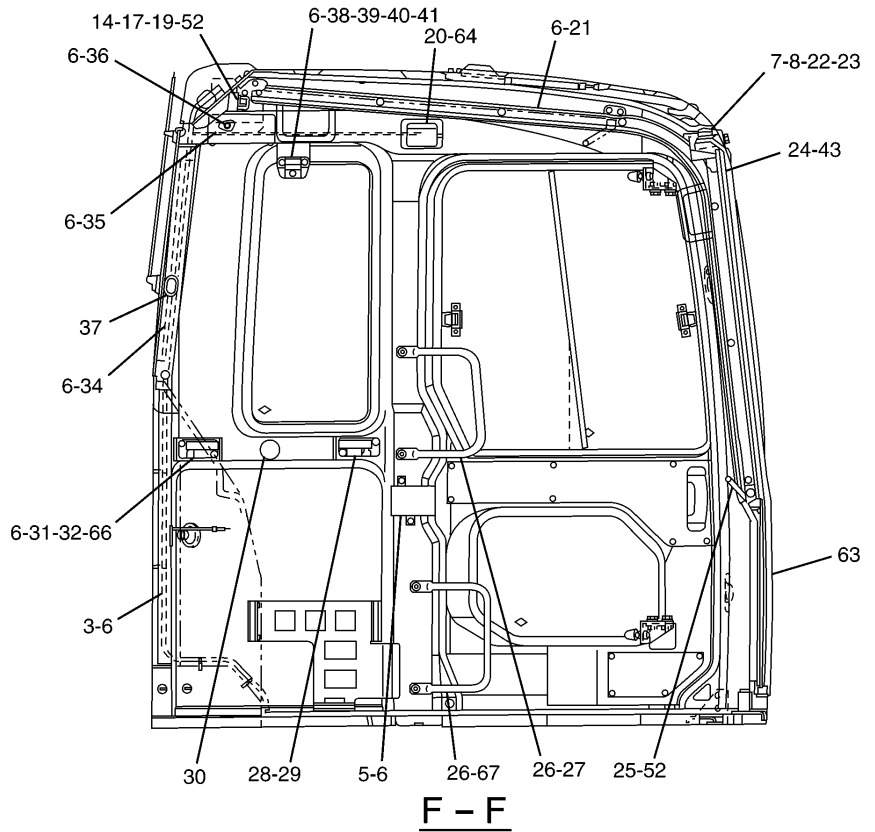
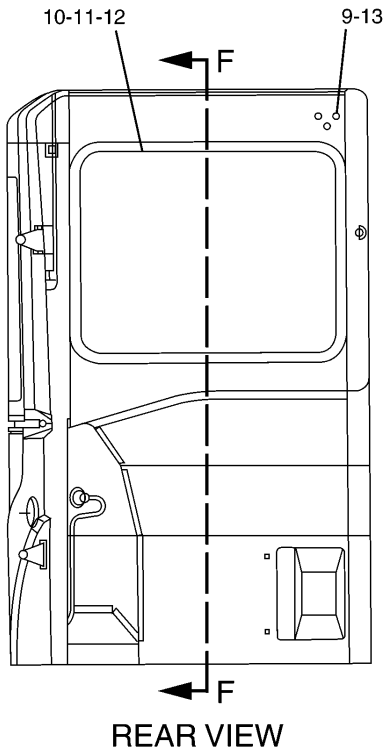
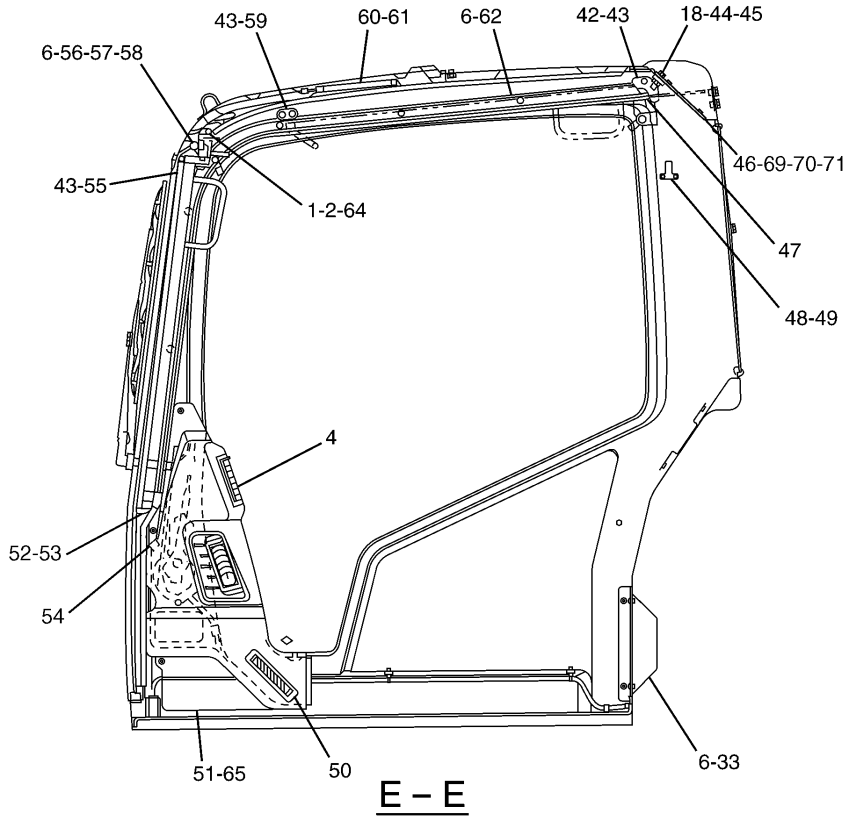
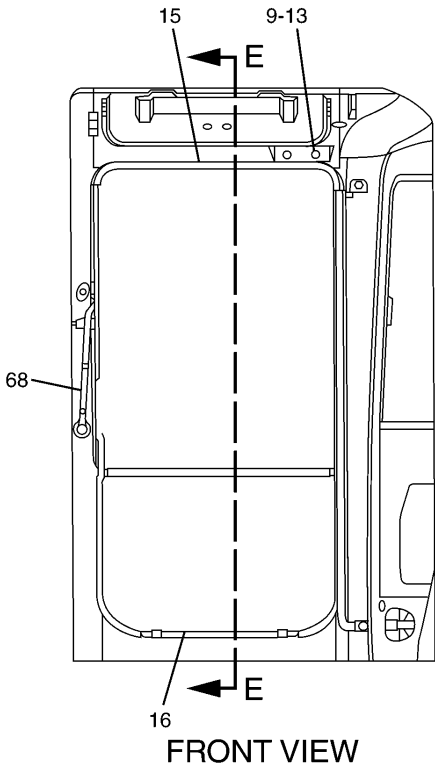
# OPERATOR STATION



H82656E 03

**196-1410 CAB GP (BASIC) (1/2)**  
 S/N KHB 1-00374  
 Part of 189-3482-Page354  
 196-1431-Page364,207-0197-Page366

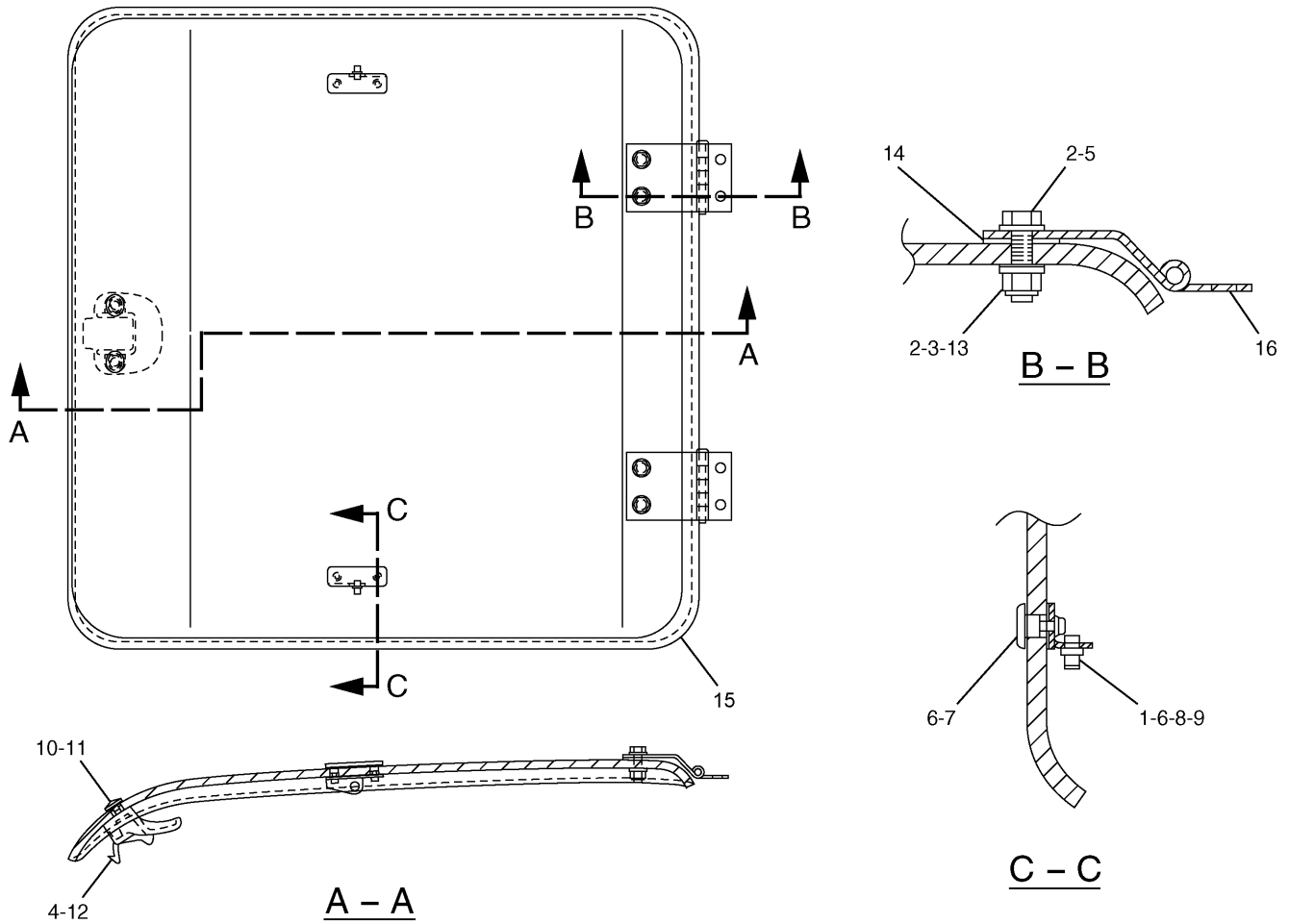
# OPERATOR STATION



H82655E 02

**201-4555 CAB GP (BASIC) (2/2)**  
 S/N KHB 1-00374  
 Part of 201-4517-Page355  
 196-1432-Page368,207-0198-Page369  
 An Attachment

# OPERATOR STATION



NOTE	No.	PART No.	QTY	PART NAME	NOTE	No.	PART No.	QTY	PART NAME
	1	273-5215	4	SCREW					
	2	8T-4224	8	WASHER					
	3	207-0235	4	NUT AS					
	4	9X-2043	2	SCREW					
	5	8T-7547	4	BOLT (L=30mm)					
	6	207-0242	4	PACKING					
	7	207-0241	2	RETAINER					
	8	210-5830	1	BRACKET (RH)					
	9	196-1546	1	BRACKET (LH)					
	10	201-4493	2	PACKING					
	11	196-1559	2	RETAINER					
	12	161-3694	1	CATCH					
	13	127-3933	4	PACKING					
	14	207-0234	2	PACKING					
	15	207-0233	1	COVER					
	16	196-1544	2	HINGE AS					

H93412E 01

**207-0197 HATCH GP**  
Part of 196-1410-Page357,225-5728-Page359.02

# OPERATOR STATION

Consists of :

			Page
1	204-1642	WIRING GP-RADIO .....	117
1	204-1643	WIRING GP-CONSOLE.....	109

H76804E 00

## 170-9451 RADIO GP-AM An Attachment

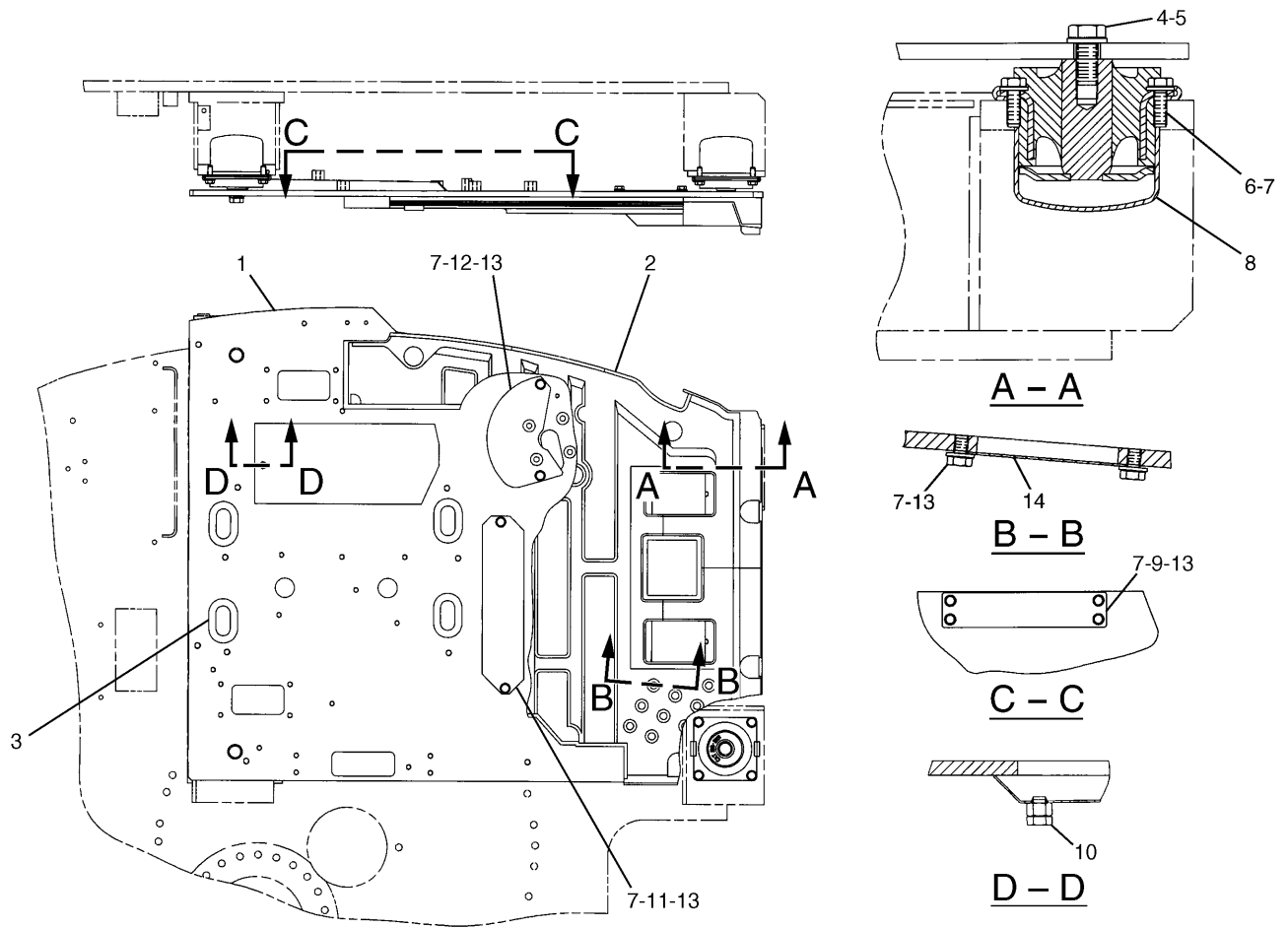
Consists of :

			Page
1	193-3421	WIRING GP-RADIO .....	118
1	193-3422	WIRING GP-CONSOLE.....	110

H76803E 01

## 170-9449 RADIO GP-AM/FM An Attachment

# OPERATOR STATION

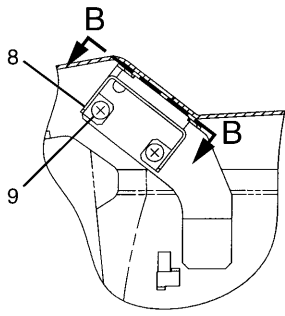


NOTE	No.	PART No.	QTY	PART NAME	NOTE	No.	PART No.	QTY	PART NAME
	1	214-1276	1	PLATFORM AS					
	2	201-4562	1	FLOORMAT					
	3	7Y-8170	4	GROMMET					
	4	8T-4779	4	BOLT (L=35mm)					
	5	9X-8257	4	WASHER					
	6	8T-4195	16	BOLT (L=30mm)					
	7	8T-4121	26	WASHER					
	8	196-1601	4	MOUNT AS					
	9	189-2832	1	COVER					
	10	7X-2548	1	BOLT (L=16mm)					
	11	207-0278	1	COVER					
	12	189-2825	1	COVER					
	13	8T-4191	10	BOLT (L=16mm)					
	14	196-1425	1	STRIP					

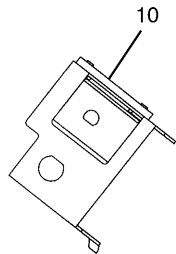
H82662E 06

**201-4561 PLATFORM GP-OPERATOR**  
S/N KHB 1-00354

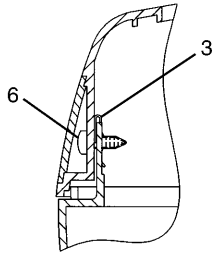
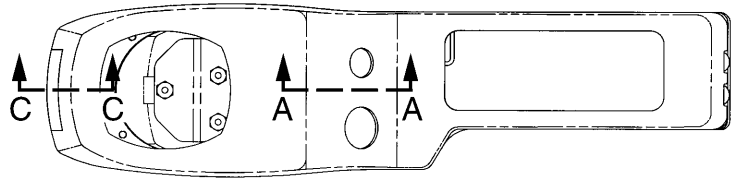
# OPERATOR STATION



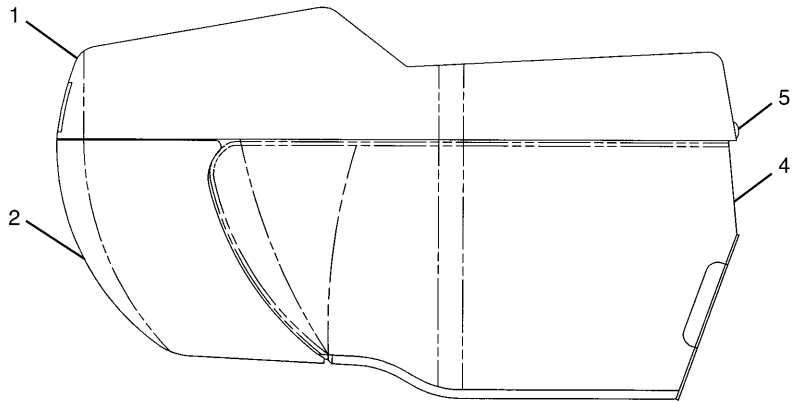
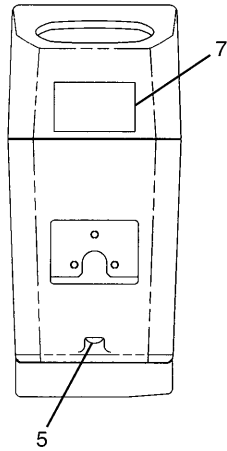
**A - A**



**B - B**



**C - C**

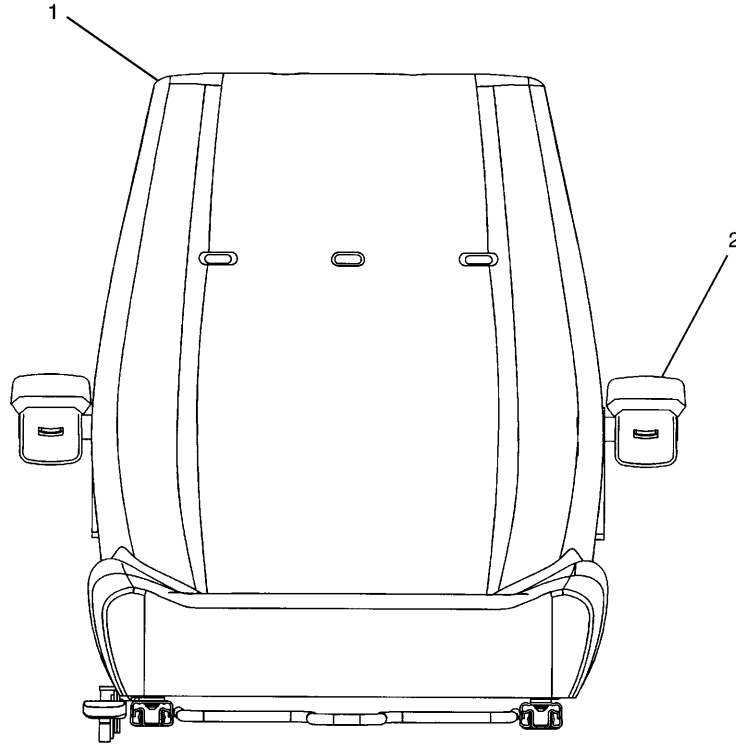


NOTE	No.	PART No.	QTY	PART NAME	NOTE	No.	PART No.	QTY	PART NAME
	1	196-1636	1	PANEL					
	2	207-0199	1	COVER					
	3	161-3729	2	NUT					
	4	207-0200	1	SUPPORT AS					
	5	9X-2044	3	SCREW					
	6	119-5026	2	SCREW					
	7	196-1639	1	CAP					
	8	207-0142	1	BRACKET					
	9	8T-6411	2	SCREW					
	10	207-0143	1	BOSS					

H78837E 01

**201-4519 CONSOLE GP**  
 Right Hand  
 Part of 210-9908-Page111  
 An Attachment

# OPERATOR STATION



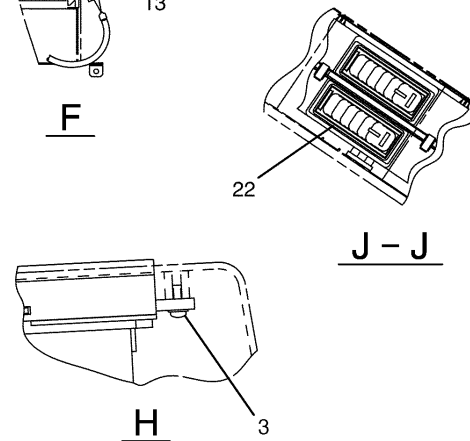
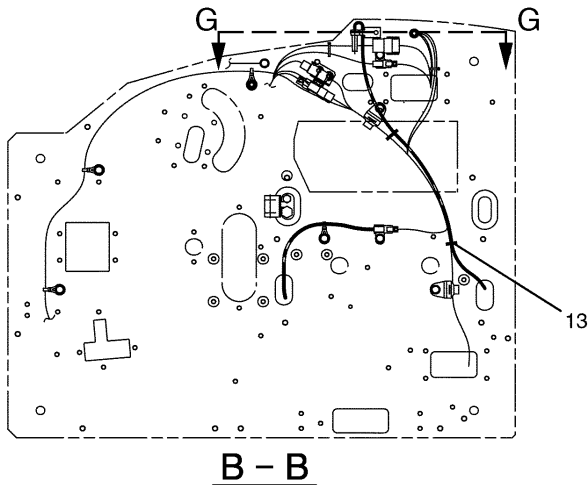
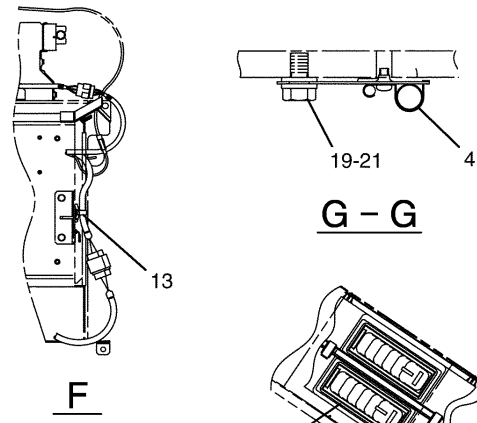
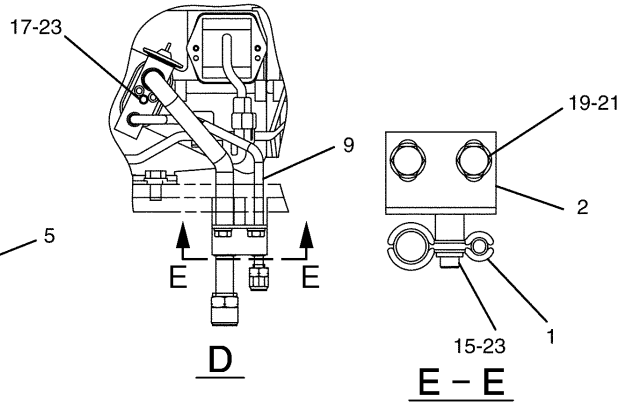
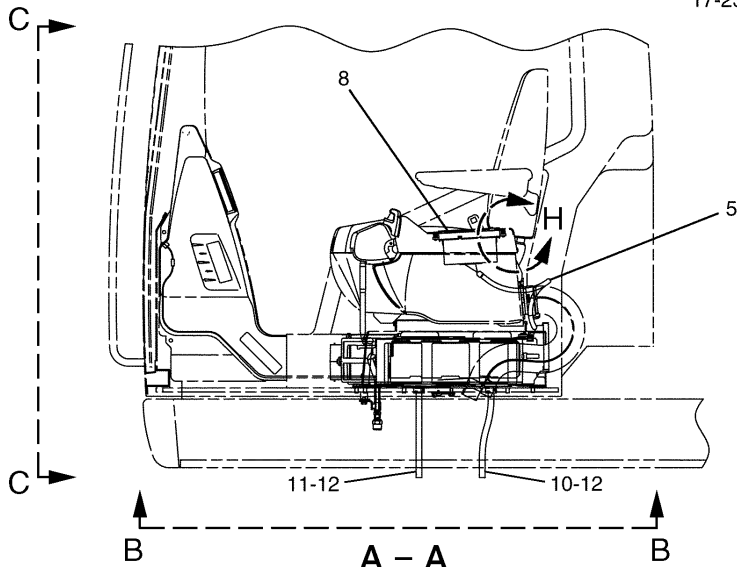
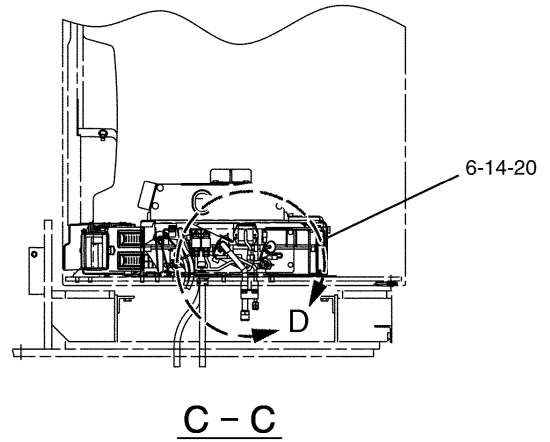
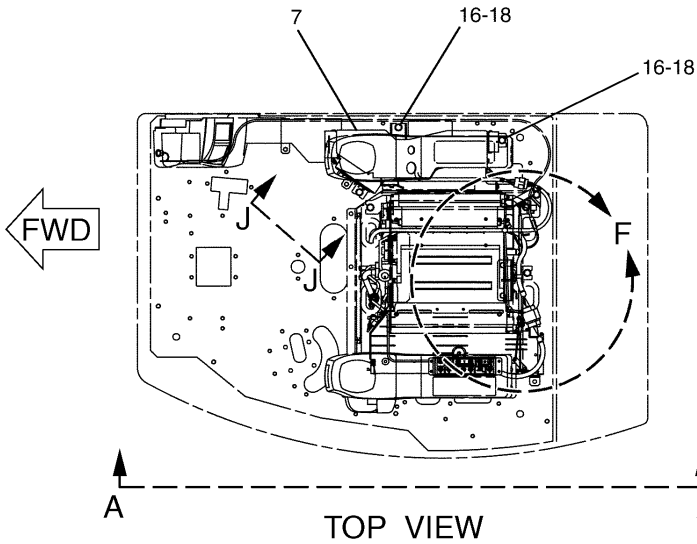
NOTE	No.	PART No.	QTY	PART NAME	NOTE	No.	PART No.	QTY	PART NAME
	1	196-1415	1	SEAT GP					
Y	2	201-4507	1	CUSHION GP					

Y-SEE SEPARATE ILLUSTRATION

H78792E 02

**196-1414 SEAT GP**  
 Part of 196-1413-Page385  
 201-4507-Page386.03

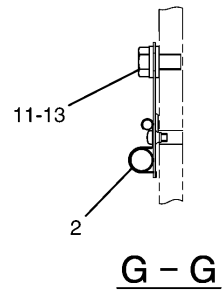
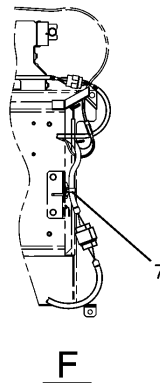
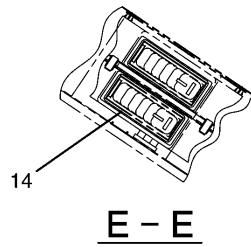
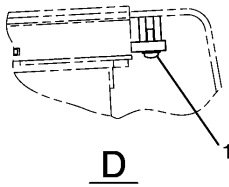
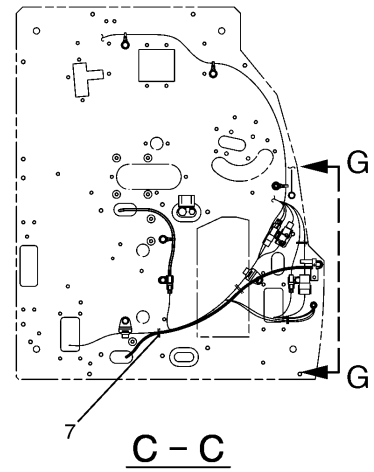
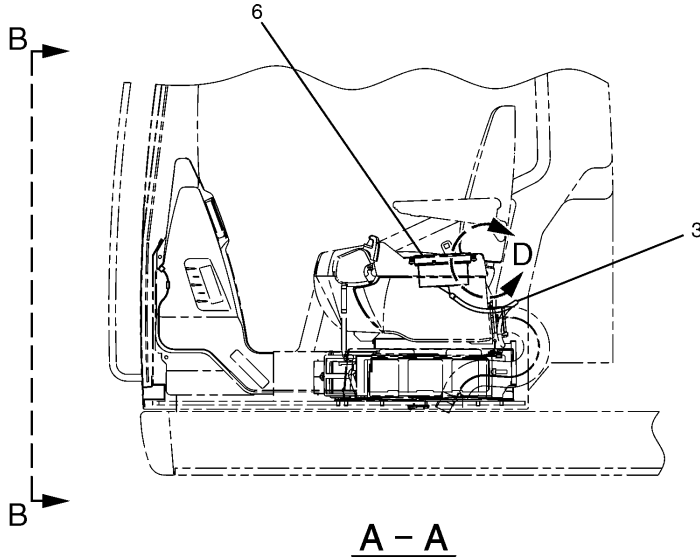
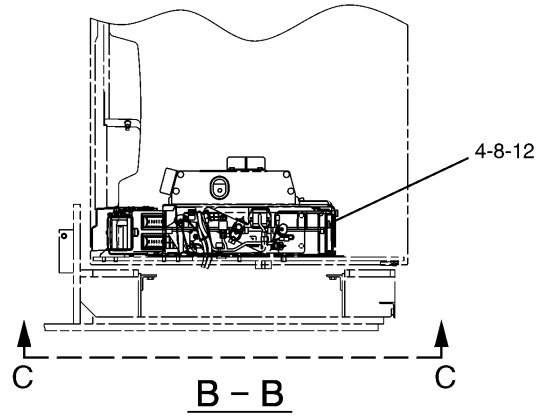
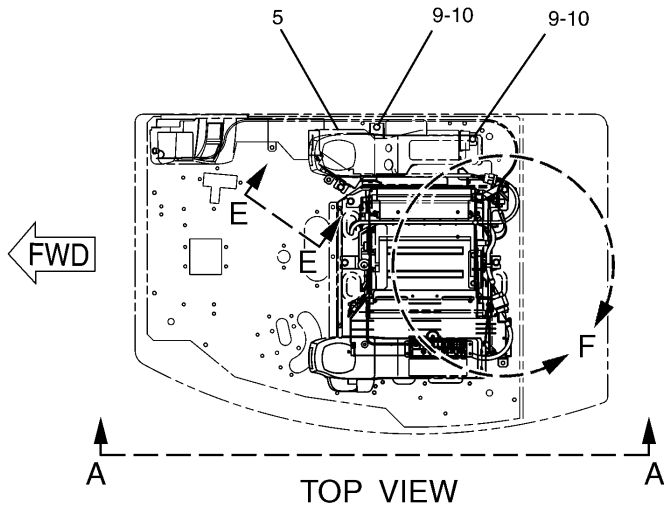
# OPERATOR STATION



H96612E 02

**225-5789 AIR CONDITIONER & MOUNTING GP**  
 S/N KHB 00385-Up  
 Part of 225-5717-Page389  
 225-5790-Page401.01,225-5791-Page402.01

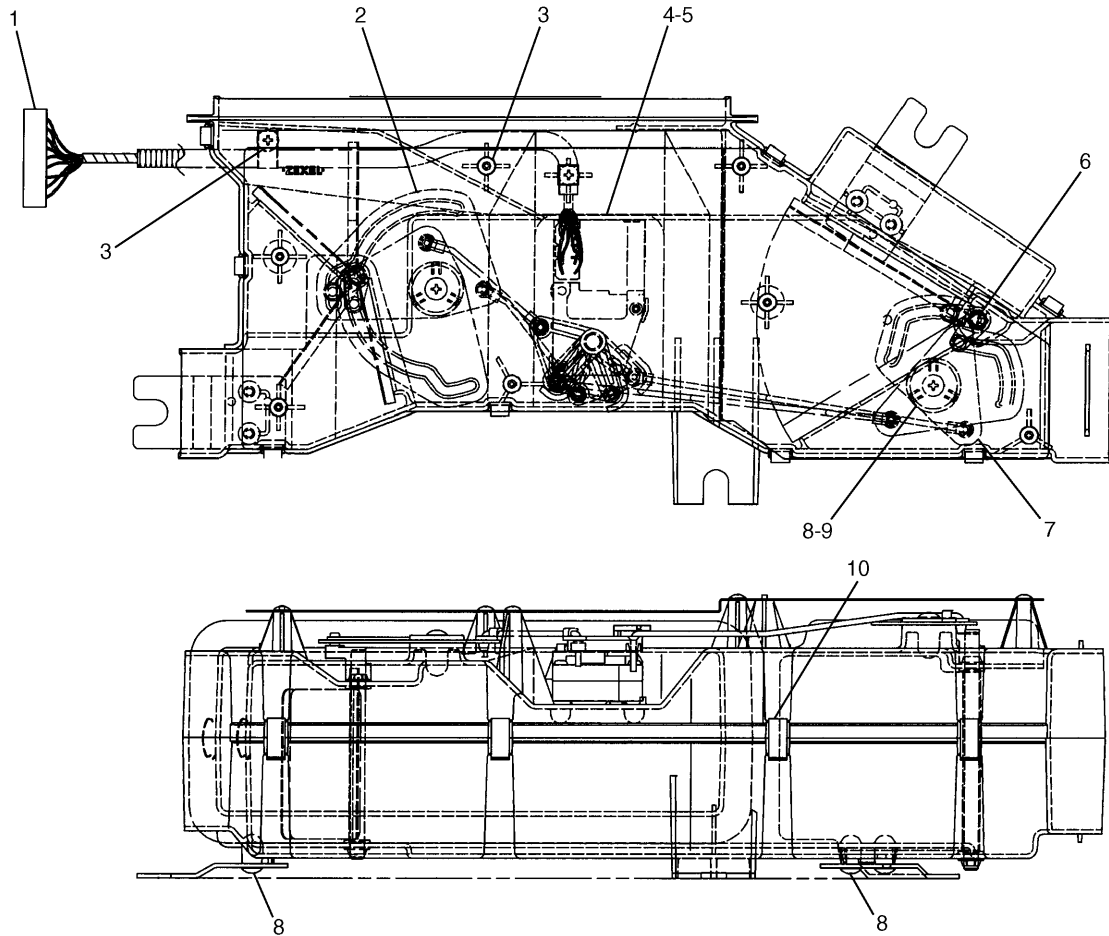
# OPERATOR STATION



H91589E 01

**225-5802 HEATER & MTG GP-CAB**  
 S/N KHB 00385-Up  
 Part of 225-5719-Page395  
 225-5803-Page401.03,225-5791-Page402.01  
 An Attachment

# OPERATOR STATION

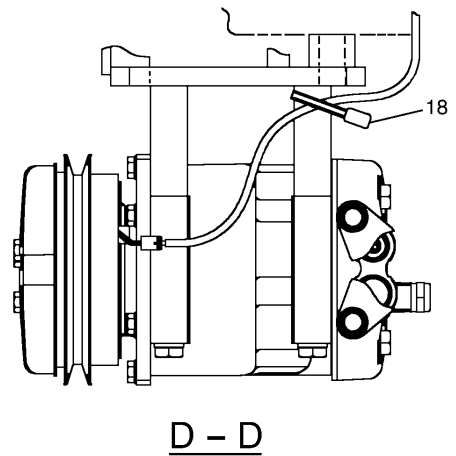
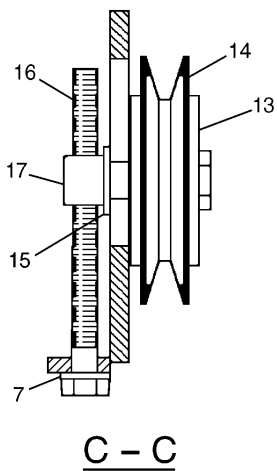
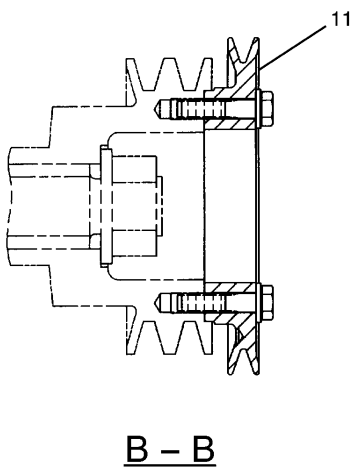
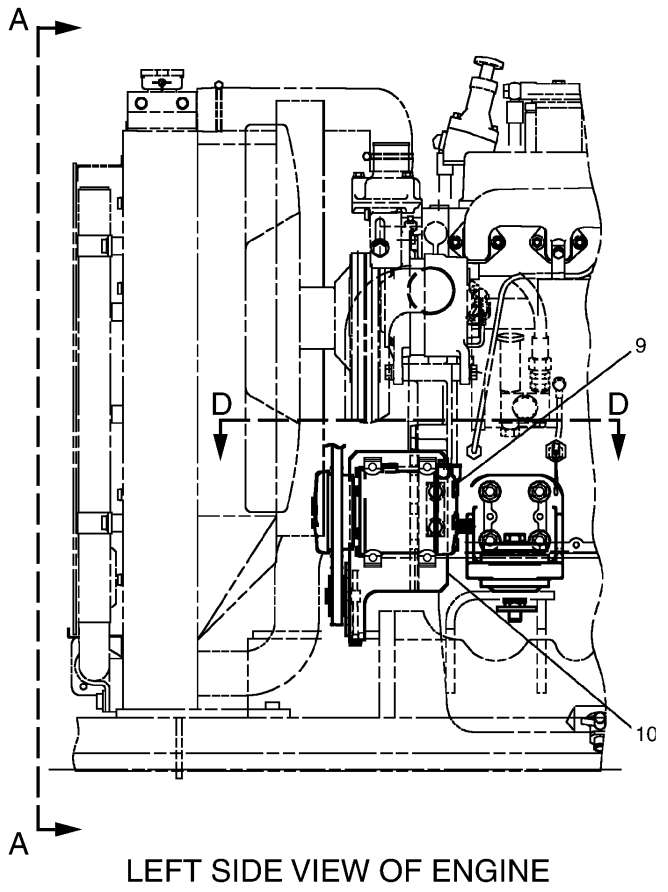
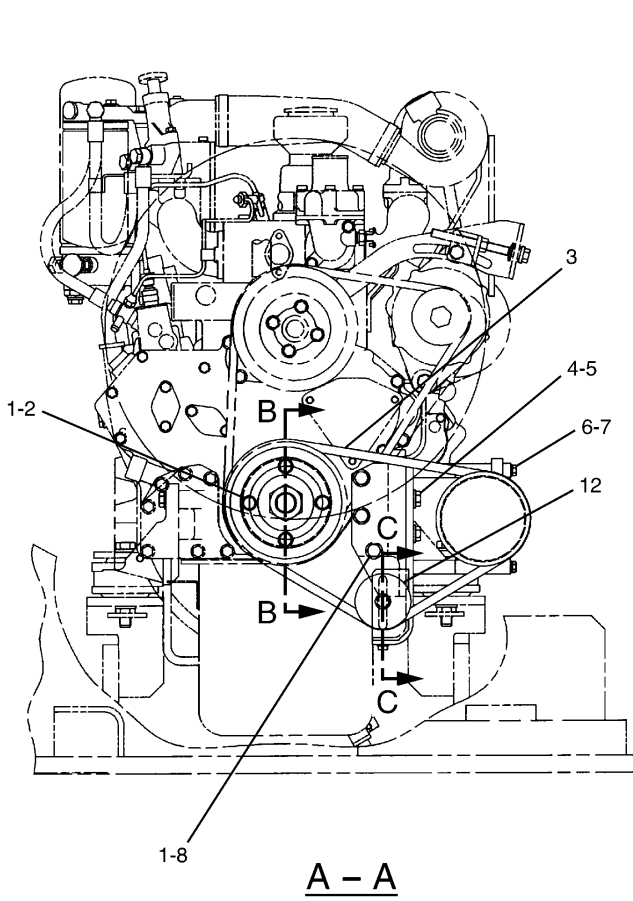


NOTE	No.	PART No.	QTY	PART NAME	NOTE	No.	PART No.	QTY	PART NAME
	1	207-0103	1	HARNES AS					
	2	207-0098	1	LEVER					
	3	207-0104	7	SCREW					
	4	207-0096	1	MOTOR AS					
	5	150-2168	2	SCREW					
	6	207-0099	2	LEVER					
	7	207-0097	1	LEVER					
	8	207-0102	6	SCREW					
	9	207-0101	2	WASHER					
	10	207-0100	8	CLIP					

H82230E 02

**189-2821 DISTRIBUTOR AS**  
 S/N KHB 1-00384  
 Part of 189-2741-Page391,189-2733-Page397

# OPERATOR STATION



H88924E 01

239-6399 COMPRESSOR GP-REFRIGERANT  
S/N KHB 00447-Up

# MEMORANDA

# IMPLEMENTS

Consists of :

			Page
1	209-5896	CYLINDER & LINES GP-BUCKET.....	220.02
1	208-2020	LINKAGE GP-BUCKET.....	437

H82886E 00

**211-6353 LINKAGE AR-BUCKET**  
S/N KHB 1-00506  
An Attachment

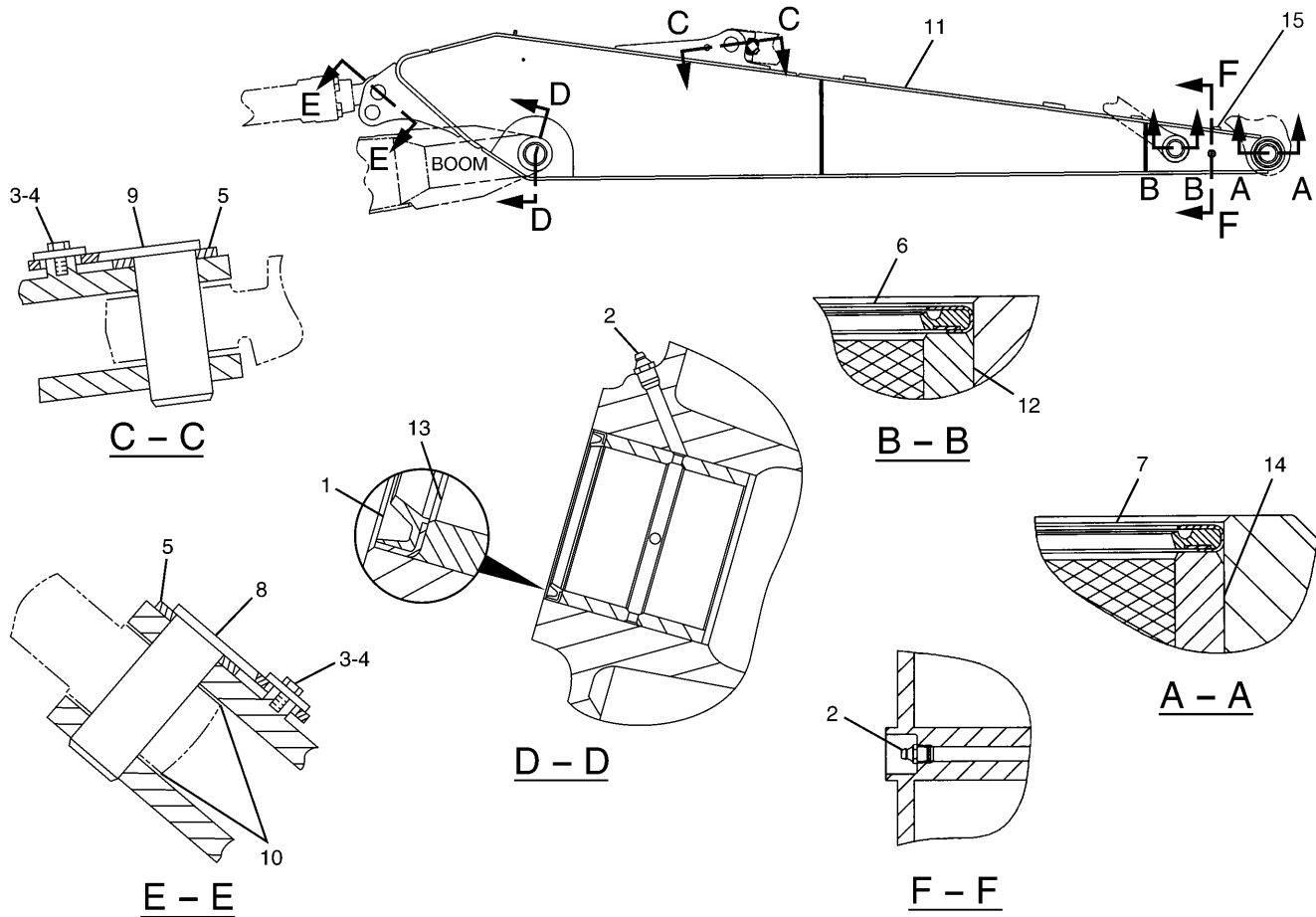
Consists of :

			Page
1	248-7860	CYLINDER & LINES GP-BUCKET.....	220.02
1	248-7840	LINKAGE GP-BUCKET.....	439.01

H87191E 00

**251-2869 LINKAGE AR-BUCKET**  
Fabrication Type (Heavy Duty)  
S/N KHB 00507-Up  
Part of 251-2922-Page410.01  
An Attachment

# IMPLEMENTS



NOTE	No.	PART No.	QTY	PART NAME	NOTE	No.	PART No.	QTY	PART NAME
	1	166-1494	2	SEAL					
	2	3B-8489	3	FITTING					
	3	8T-4179	2	BOLT (L=20mm)					
	4	086-0297	2	WASHER					
	5	093-0357	2	WASHER					
	6	093-1433	2	SEAL					
	7	096-0131	2	SEAL					
	8	108-9191	1	PIN AS					
	9	127-3913	1	PIN AS					
	10	166-1481	2	SHIM (T=2.00mm)					
	11	198-0568	1	STICK AS					
	12	229-1095	2	BEARING					
	13	168-0062	2	BEARING					
	14	229-1091	2	BEARING					
	15	7V-2882	1	PLATE AS					

H87153E 00

**198-0393 STICK GP-COUPLER**  
 Part of 198-0395-Page410  
 An Attachment

# MEMORANDA

# IMPLEMENTS

Consists of :

			Page
1	198-5740	LINKAGE GP-BUCKET.....	435
		-OR-	
1	198-5741	LINKAGE GP-BUCKET.....	436

H82870E 01

## 195-5411 LINKAGE GP-BUCKET

S/N KHB 1-00506  
Part of 194-8960-Page411  
An Attachment

# IMPLEMENTS

Consists of :

			Page
3	9J-3169	TIP GP-LONG.....	450
1	150-2245	BUCKET & ADJUSTER GP.....	442

H60270E 00

**150-2239 BUCKET AR**  
S/N KHB 1-(T04.11)  
An Attachment

Consists of :

			Page
4	9J-3169	TIP GP-LONG.....	450
1	150-2246	BUCKET & ADJUSTER GP.....	443

H60271E 00

**150-2240 BUCKET AR**  
S/N KHB 1-(T04.11)  
An Attachment

# IMPLEMENTS

Consists of :

			Page
1	275-2816	BUCKET AS .....	445.01
1	41-6914	ADJUSTER GP-BUCKET .....	448

H97630E 01

## 250-6371 BUCKET & ADJUSTER GP

S/N KHB (T04.12)-Up  
Part of 250-6370-Page440.01  
An Attachment

Consists of :

			Page
1	275-2821	BUCKET AS .....	446.01
1	41-6914	ADJUSTER GP-BUCKET .....	448

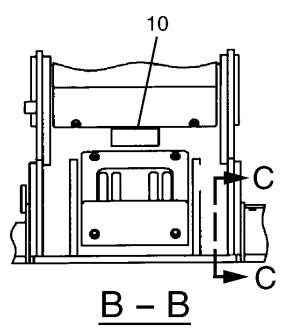
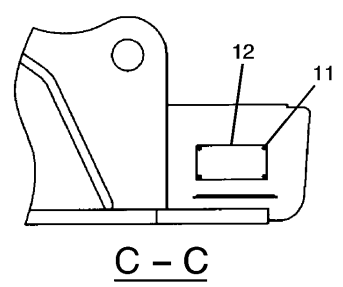
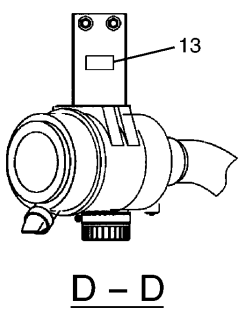
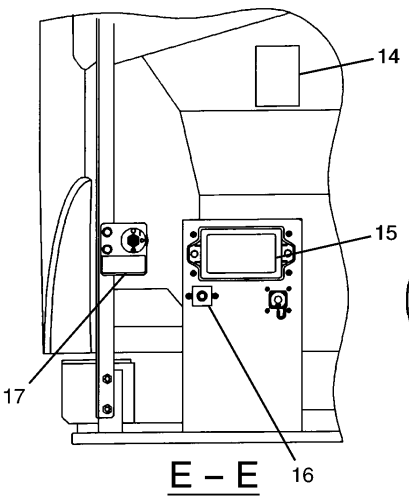
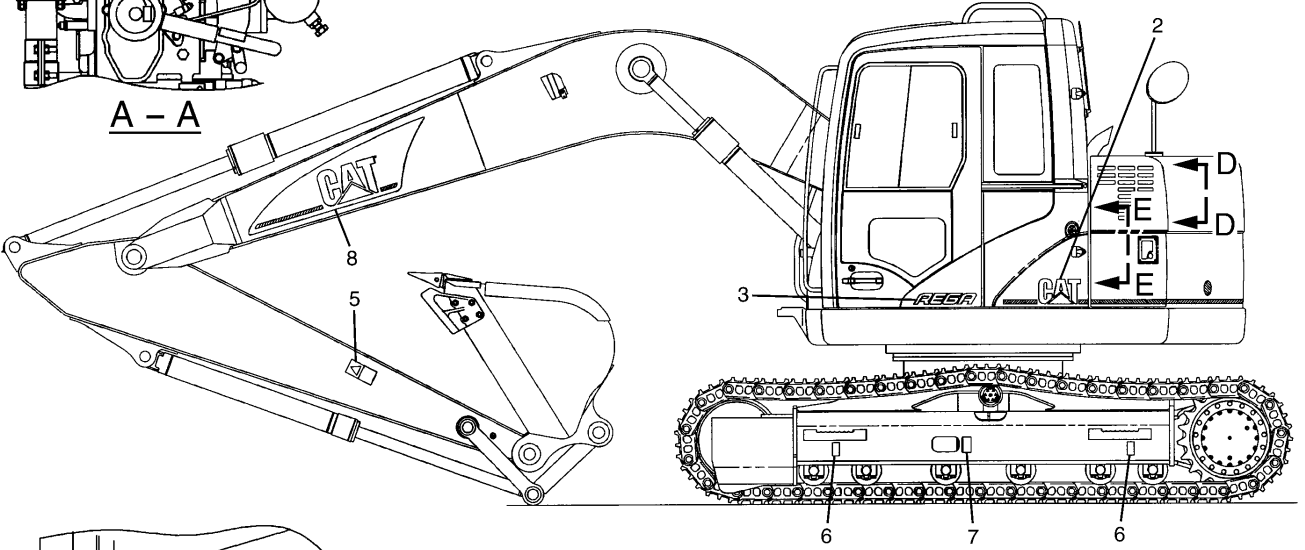
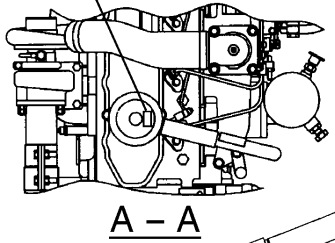
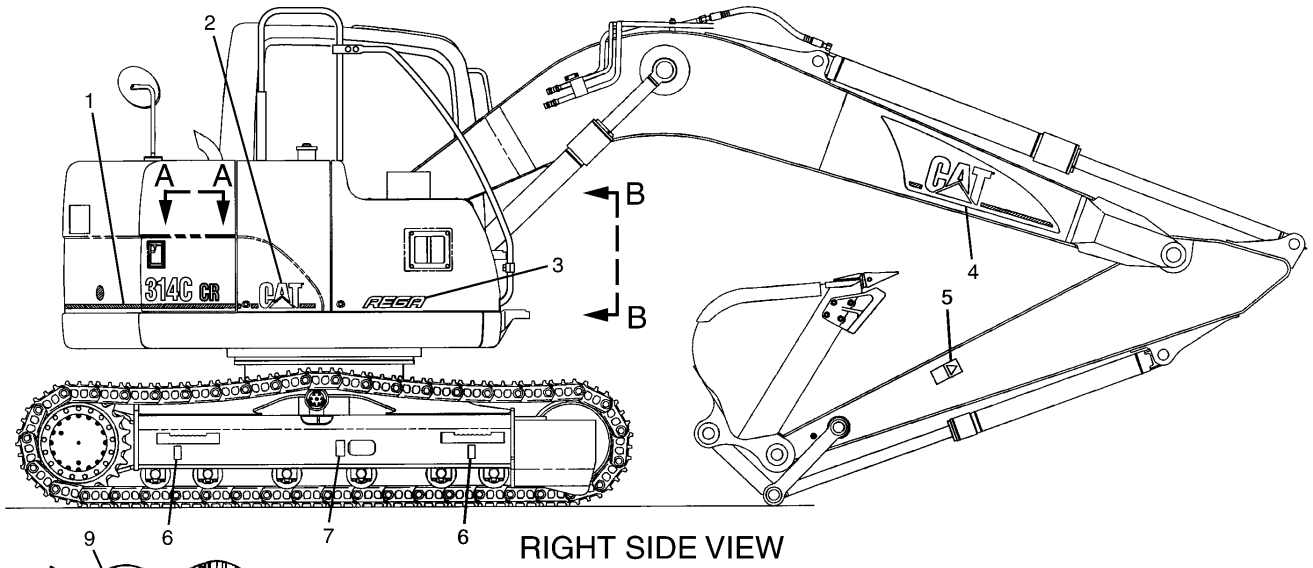
H97631E 01

## 250-6374 BUCKET & ADJUSTER GP

S/N KHB (T04.12)-Up  
Part of 250-6373-Page441.01  
An Attachment

# MEMORANDA

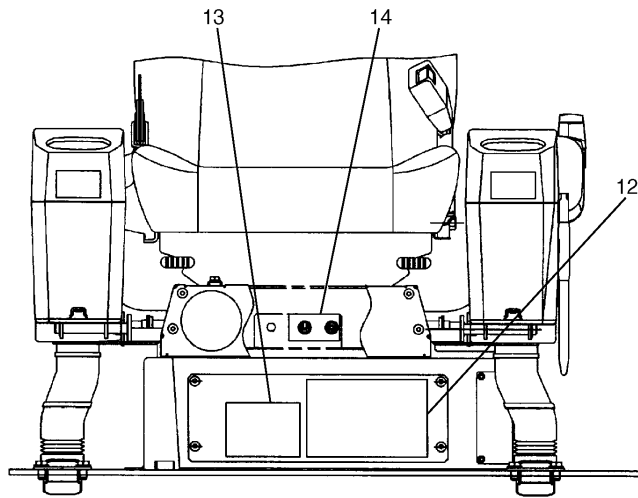
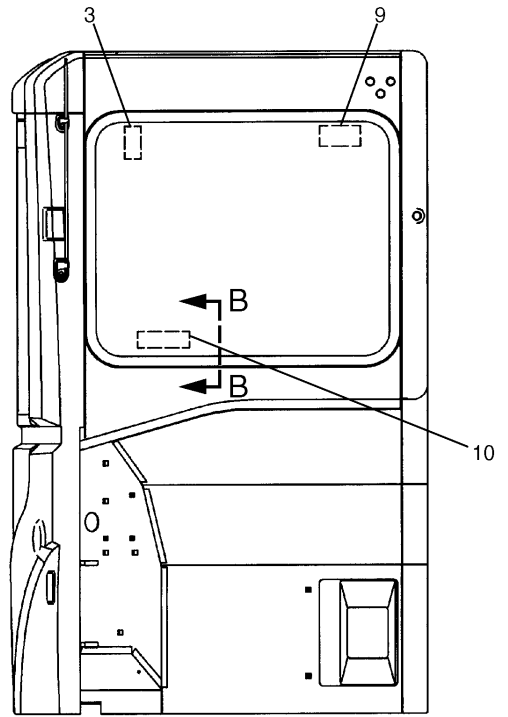
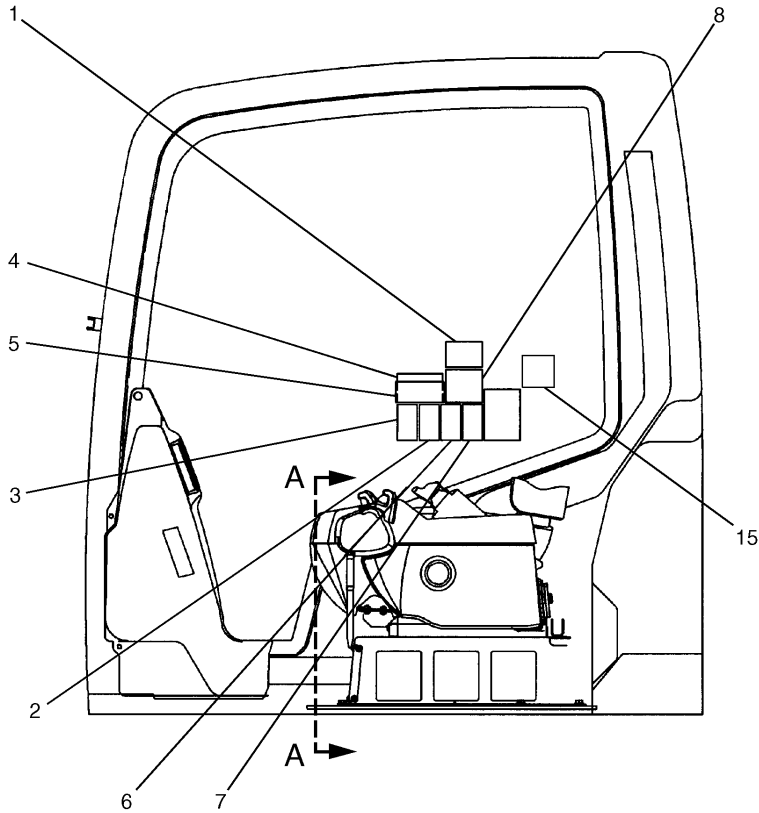
# SERVICE EQUIPMENT AND SUPPLIES



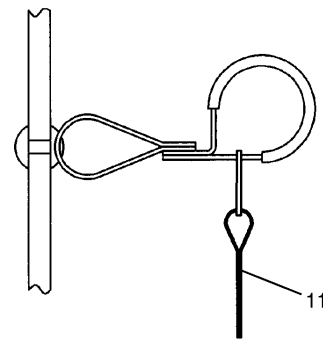
H86933E 04

202-1509 PLATE & FILM GP (1/3)  
S/N KHB 1-00245

# SERVICE EQUIPMENT AND SUPPLIES



A - A

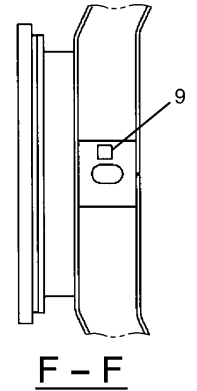
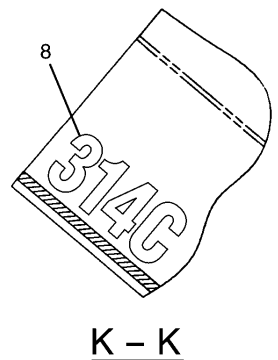
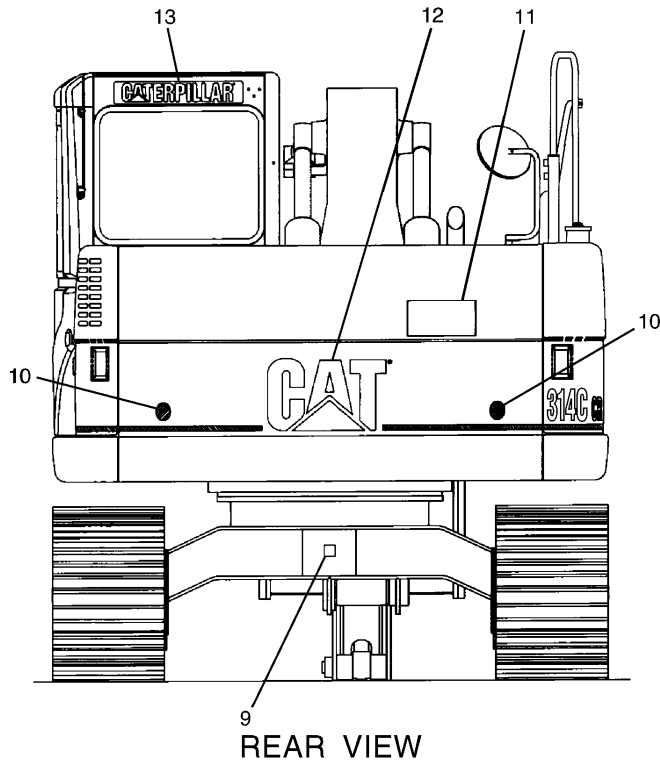
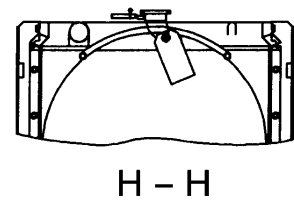
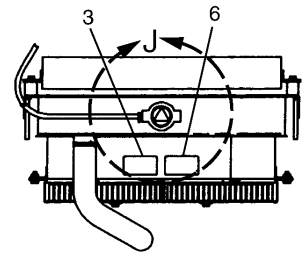
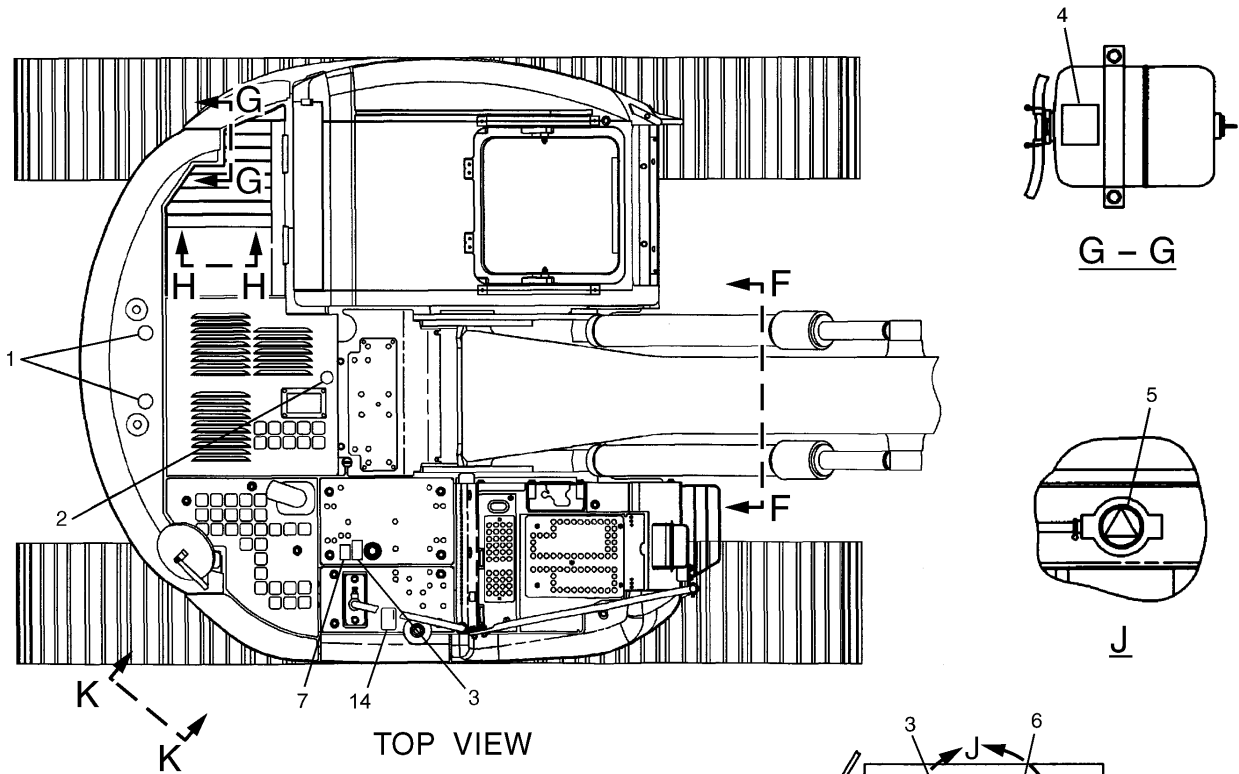


B - B

H86938E 09

202-1509 PLATE & FILM GP (3/3)  
S/N KHB 00246-00443

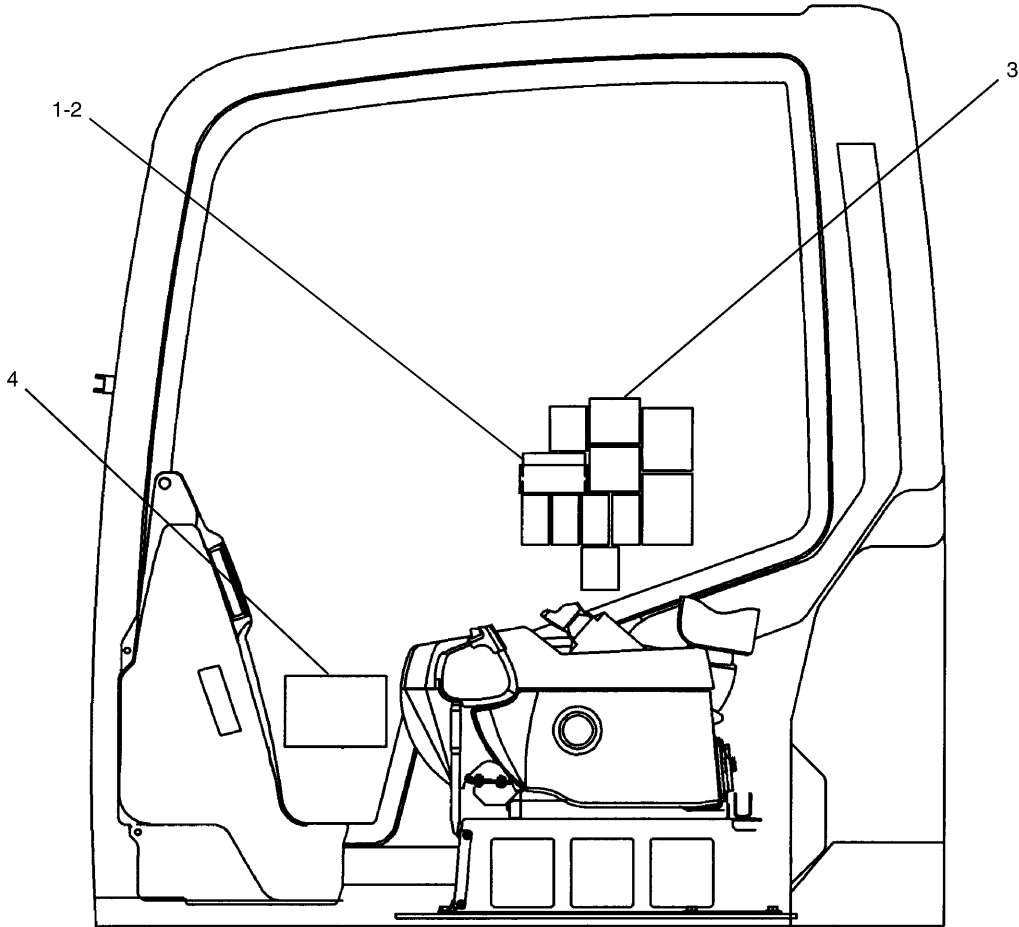
# SERVICE EQUIPMENT AND SUPPLIES



H96641E 17

202-1509 PLATE & FILM GP (2/3)  
S/N KHB 00507-00950

# SERVICE EQUIPMENT AND SUPPLIES



NOTE	No.	PART No.	QTY	PART NAME	NOTE	No.	PART No.	QTY	PART NAME
	1	102-4861	1	PLATE					
	2	102-4862	1	PLATE (KOB,JIS/SCM)					
	3	120-5054	1	FILM (WARNING)					
	4	202-1487	1	FILM (INSTRUCTION)					

H91674E 03

**198-2358 FILM GP**  
 Part of 190-7850-Page265  
 An Attachment

## PART NUMBER INDEX

Part.No	Page	Part.No	Page	Part.No	Page
	109		215.01	41-0794 . . . . .	273
	110	3Y-7597 . . . . .	455		273.02
111.04		3Y-8905 . . . . .	457		273.04
111.05			461.02		273.06
111.06			461.08	41-0806 . . . . .	271
111.07			461.14		271.02
111.08			461.20	41-0812 . . . . .	269
113		3Y-9267 . . . . .	147	41-0818 . . . . .	276
113.02			149.02		276.01
115					276.02
116					276.03
116.01		<b>4</b>			276.04
116.02				41-0821 . . . . .	271
117		4B-4158 . . . . .	185		271.02
119			445		283.02
123.02			445.01		283.04
130			446	41-0833 . . . . .	276.02
130.01			446.01	41-0836 . . . . .	271
135			447		271.02
137			457	41-0995 . . . . .	269
139			461.02		271
278		4B-4276 . . . . .	87.02		271.02
278.01			87.04		279
283.02			87.06	41-1095 . . . . .	243
283.04		4B-5984 . . . . .	291	41-1674 . . . . .	243
371		4B-7739 . . . . .	197	41-1676 . . . . .	249
391			197.02	41-1707 . . . . .	271
391.02		4B-9783 . . . . .	353		271.02
393		4D-0514 . . . . .	335	41-1745 . . . . .	289
394.01		4D-1836 . . . . .	105.01	41-1780 . . . . .	275
397.02		4D-6466 . . . . .	69	41-1783 . . . . .	271
399		4D-7794 . . . . .	19		271.02
3T-0849 . . . . .	123.02	4H-6112 . . . . .	291	41-1880 . . . . .	271
3T-4692 . . . . .	79	4I-0006 . . . . .	173		271.02
	79.02	4I-0050 . . . . .	58	41-2604 . . . . .	455
3T-4696 . . . . .	79		58.01	41-2605 . . . . .	455
	79.02	4I-0378 . . . . .	58	41-2885 . . . . .	461
	100		58.01		461.06
	101	4I-0379 . . . . .	59		461.12
	101.01		59.01		461.18
	101.02	4I-0788 . . . . .	273		461.24
3T-5760 . . . . .	71		273.02	41-3144 . . . . .	135
	75.02		273.04	41-3309 . . . . .	415
3T-7528 . . . . .	215		273.06		417

## PART NUMBER INDEX

Part.No	Page	Part.No	Page	Part.No	Page
	253		405		157. 10
	256		405. 02		157. 12
	261		405. 04		157. 16
	261. 02	7X-2548 . . . . .	73	7Y-0063 . . . . .	459
	263		75. 04		461. 04
	263. 02		243		461. 10
	281		378		461. 16
	283		391		461. 22
	283. 06		391. 02	7Y-0070 . . . . .	455
	283. 07		397	7Y-0203 . . . . .	449
	283. 10		397. 02	7Y-0204 . . . . .	449
	285	7X-2549 . . . . .	342	7Y-0254 . . . . .	445
	287	7X-2550 . . . . .	253. 02		445. 01
	289		253. 04		446
	342. 01	7X-2552 . . . . .	415		446. 01
7N-0718 . . . . .	73		417		447
	75. 04	7X-2553 . . . . .	203	7Y-0466 . . . . .	201
	81		207	7Y-0468 . . . . .	347
7N-2353 . . . . .	111	7X-2555 . . . . .	57	7Y-0633 . . . . .	178
7N-3718 . . . . .	139		177	7Y-1976 . . . . .	39
7V-2882 . . . . .	420		177. 02		41
	424		186		51
7X-0796 . . . . .	25		195		197
	26		195. 01		197. 02
	29	7X-2556 . . . . .	203	7Y-2155 . . . . .	188
	33		207	7Y-2158 . . . . .	188
	35	7X-2619 . . . . .	75	7Y-2159 . . . . .	188
	45		75. 06	7Y-2162 . . . . .	188
	48		87. 02	7Y-2436 . . . . .	178
	61		87. 04	7Y-2579 . . . . .	415
	63		87. 06		417
7X-1451 . . . . .	251		105	7Y-3430 . . . . .	178
7X-1452 . . . . .	251		105. 01	7Y-3459 . . . . .	178
7X-2533 . . . . .	75	7X-7644 . . . . .	459	7Y-3474 . . . . .	371
	75. 06		461. 04	7Y-3732 . . . . .	253. 02
	401		461. 10		253. 04
7X-2534 . . . . .	69		461. 16	7Y-3820 . . . . .	79
7X-2536 . . . . .	19		461. 22		79. 02
	25	7X-7729 . . . . .	39	7Y-3821 . . . . .	79
	63		155		79. 02
	309		157	7Y-3918 . . . . .	95
7X-2537 . . . . .	53		157. 02		95. 01
	69		157. 04		95. 02
7X-2538 . . . . .	130		157. 08		103

## PART NUMBER INDEX

Part.No	Page	Part.No	Page	Part.No	Page
	405	9G-0005 . . . . .	82		287
	405.02		83		287.02
	405.04	9G-4336 . . . . .	79		315
8T-8799 . . . . .	53		79.02		342.01
	79	9G-4343 . . . . .	53	9S-4185 . . . . .	267.02
	79.02		79		273
8T-8806 . . . . .	283.02		79.02		273.02
8T-9107 . . . . .	271	9G-8451 . . . . .	87.02		273.04
	271.02		87.04		273.06
8T-9515 . . . . .	297.04		87.06		287
8T-9533 . . . . .	351	9G-8909 . . . . .	82	9S-4190 . . . . .	197
8T-9598 . . . . .	43	9J-2089 . . . . .	32		197.02
8T-9599 . . . . .	205	9J-3169 . . . . .	440	9S-4191 . . . . .	203
	209		440.01		205
8T-9636 . . . . .	87.02		441		207
	87.04		441.01		209
	87.06		442		267.02
8T-9756 . . . . .	83		442.01		271
8Y-4804 . . . . .	167.02		450		271.02
	167.03	9J-3178 . . . . .	451		275
8Y-6352 . . . . .	359	9J-4259 . . . . .	452		276.02
	359.04	9L-7816 . . . . .	387		276.03
	363	9M-8406 . . . . .	59		276.04
	363.04		59.01		297
8Y-6967 . . . . .	359	9N-4252 . . . . .	450		319
	359.04	9N-4253 . . . . .	452	9S-8001 . . . . .	211
	363	9R-2821 . . . . .	417		211.02
	363.04	9R-3924 . . . . .	58		211.04
	391		58.01		297.04
	391.02		178		337
	397	9S-4180 . . . . .	215	9S-8004 . . . . .	147
	397.02		215.01		149.02
	403	9S-4181 . . . . .	251		297.04
	403.02		253		299
			281		337
			287	9S-8005 . . . . .	149
			289		149.04
			342.01		297.02
		9S-4182 . . . . .	197		297.04
			197.02		298
			271		337
			271.02	9S-8006 . . . . .	297.04
9C-4935 . . . . .	422	9S-4183 . . . . .	263	9V-3659 . . . . .	165.04
	422.01		263.02	9W-0844 . . . . .	79
9F-2167 . . . . .	281				
9F-5644 . . . . .	81				
9G-0002 . . . . .	83				
9G-0004 . . . . .	83				

## PART NUMBER INDEX

Part.No	Page	Part.No	Page	Part.No	Page
	111.06	105-7405 . . . . .	319	109-3036 . . . . .	353.01
	142		321	109-5815 . . . . .	288
102-8804 . . . . .	92	105-9981 . . . . .	87.02	109-5816 . . . . .	237
102-8805 . . . . .	91.04		87.04	110-6821 . . . . .	59.02
	91.08		87.06	111-0343 . . . . .	353.01
	97	106-0035 . . . . .	113	111-0988 . . . . .	269
	98		113.02	111-4799 . . . . .	102
	104	106-0036 . . . . .	113		382
	111.05		113.02	111-4836 . . . . .	71
	115	106-0107 . . . . .	95		73
	116		95.01		75
	116.01		95.02		75.02
	116.02		104		75.04
102-8806 . . . . .	69	106-0210 . . . . .	104		75.06
	79	106-6857 . . . . .	446		137
	79.02	107-6631 . . . . .	267		139
103-1384 . . . . .	287		267.02	111-4837 . . . . .	71
	287.02		271		73
103-1396 . . . . .	271		271.02		75
	271.02		276		75.02
103-2529 . . . . .	143		276.01		75.04
103-8236 . . . . .	213.01		276.02		75.06
103-8411 . . . . .	319		276.03		87.02
103-8412 . . . . .	319		276.04		87.04
103-8413 . . . . .	319		278		87.06
103-8441 . . . . .	231		278.01	111-4838 . . . . .	71
	231.02	108-7387 . . . . .	271		75
103-8442 . . . . .	231		271.02		75.02
	231.02	108-7516 . . . . .	271		75.06
104-6573 . . . . .	91		271.02	111-4839 . . . . .	71
	91.04	108-7547 . . . . .	273		75
	91.08		273.02		75.02
104-8107 . . . . .	313		273.04		75.06
104-8950 . . . . .	271		273.06	111-4871 . . . . .	111.02
	271.02	108-9041 . . . . .	445	111-4875 . . . . .	111.08
104-8999 . . . . .	245		447	111-5422 . . . . .	341
	245.01	108-9042 . . . . .	446	111-9916 . . . . .	203
105-3487 . . . . .	169	108-9043 . . . . .	445		207
	169.02		446		343
105-6431 . . . . .	425	108-9097 . . . . .	426	111-9998 . . . . .	338
	426	108-9122 . . . . .	185	113-0363 . . . . .	63
	426.01	108-9191 . . . . .	418	113-3467 . . . . .	394.01
105-7398 . . . . .	231		419	113-3468 . . . . .	391.02
	231.02		420		394.01

## PART NUMBER INDEX

Part.No	Page	Part.No	Page	Part.No	Page
	391	168-6686 . . . . .	185	170-9335 . . . . .	271
167-7270 . . . . .	459	168-6687 . . . . .	182	170-9371 . . . . .	91
	461.04		184		91.04
	461.10	168-6688 . . . . .	184		91.08
	461.16		184.01	170-9372 . . . . .	87.02
	461.22	168-6690 . . . . .	184		87.04
167-9970 . . . . .	409	168-6692 . . . . .	184		87.06
	421		184.01	170-9373 . . . . .	87.02
167-9971 . . . . .	421	168-6728 . . . . .	145		87.04
167-9973 . . . . .	408	168-6731 . . . . .	181		87.06
	418		181.01	170-9417 . . . . .	140
167-9974 . . . . .	418	168-6732 . . . . .	181	170-9418 . . . . .	140
167-9991 . . . . .	427		182	170-9449 . . . . .	372
167-9992 . . . . .	429	168-9390 . . . . .	285	170-9451 . . . . .	372
167-9993 . . . . .	428	168-9759 . . . . .	267.02	170-9453 . . . . .	119
167-9994 . . . . .	430	169-5549 . . . . .	292	170-9497 . . . . .	306
168-0014 . . . . .	411		294	170-9498 . . . . .	307
	431	169-7618 . . . . .	465	170-9499 . . . . .	307
168-0062 . . . . .	415		466	170-9800 . . . . .	221
	417		467		413
	418	169-7659 . . . . .	457	170-9803 . . . . .	220
	418.01		461.02		224
	419		461.08	170-9804 . . . . .	221
	420		461.14		225
	421		461.20	170-9805 . . . . .	221
	422	169-7721 . . . . .	454		226
	422.01		455	170-9808 . . . . .	224
	423	169-7904 . . . . .	189		232.04
	424	169-7905 . . . . .	189	170-9809 . . . . .	225
168-0712 . . . . .	267	169-8089 . . . . .	192		233
	267.02	169-8091 . . . . .	192	170-9810 . . . . .	226
	335	169-8093 . . . . .	192		234
168-0722 . . . . .	335	170-2755 . . . . .	169	170-9840 . . . . .	232.04
168-0723 . . . . .	335		169.02		232.07
168-0725 . . . . .	335	170-2982 . . . . .	169	170-9842 . . . . .	229
168-0794 . . . . .	347		169.02		232.01
168-1587 . . . . .	159	170-6738 . . . . .	209		232.03
	159.01	170-6843 . . . . .	75	170-9843 . . . . .	231
	160		75.06		231.02
168-5057 . . . . .	53	170-6929 . . . . .	71		233
168-6684 . . . . .	181		75.02		234
	181.01		83	170-9856 . . . . .	232.04
	185	170-6993 . . . . .	140		232.07
168-6685 . . . . .	185	170-7485 . . . . .	353.01	170-9858 . . . . .	229

## PART NUMBER INDEX

Part.No	Page	Part.No	Page	Part.No	Page
	381	196-8016 . . . . .	55	197-0148 . . . . .	322
	381.01	196-8017 . . . . .	36		323
196-1640 . . . . .	380	196-8018 . . . . .	36		324
	380.01	196-8019 . . . . .	32		325
196-1642 . . . . .	382	196-8020 . . . . .	20.01		326
196-1660 . . . . .	393	196-8021 . . . . .	44		327
196-1661 . . . . .	393		44.01		328
196-1662 . . . . .	393	196-8026 . . . . .	63		329
196-7973 . . . . .	26	196-8037 . . . . .	41		330
196-7975 . . . . .	44	196-8038 . . . . .	41		331
	44.01	196-8039 . . . . .	41	197-0149 . . . . .	322
196-7978 . . . . .	12	196-8070 . . . . .	47		323
	13.01	196-8071 . . . . .	51		324
	13.03	196-8072 . . . . .	12		325
	33		13.01		326
196-7979 . . . . .	12		13.03		327
	13.01		20		328
	13.03	196-8099 . . . . .	38		329
	22	196-8100 . . . . .	39		330
196-7988 . . . . .	13		40		331
	13.02	196-8101 . . . . .	52	197-0150 . . . . .	322
	13.04	196-8108 . . . . .	39		323
	55	196-8109 . . . . .	39		324
196-7990 . . . . .	12	196-8125 . . . . .	65.02		325
	13.01	196-8174 . . . . .	39		326
	13.03	196-8177 . . . . .	51		327
	32	196-8191 . . . . .	35		328
196-7991 . . . . .	12	196-8192 . . . . .	35		329
	13.01	196-8194 . . . . .	405		330
	13.03	196-8215 . . . . .	61		331
	36	196-8216 . . . . .	61	197-0151 . . . . .	322
196-7994 . . . . .	13	196-8227 . . . . .	35		323
	13.02	196-8235 . . . . .	63		325
	13.04	196-8236 . . . . .	61		326
	45	196-8238 . . . . .	61		328
196-7999 . . . . .	22	197-0143 . . . . .	315		330
196-8001 . . . . .	25	197-0144 . . . . .	315	197-0152 . . . . .	324
196-8007 . . . . .	54	197-0145 . . . . .	313		331
196-8009 . . . . .	49		315	197-0153 . . . . .	327
196-8010 . . . . .	49		317		329
196-8012 . . . . .	48		319	197-0156 . . . . .	325
196-8013 . . . . .	48		321	197-0158 . . . . .	329
196-8014 . . . . .	48	197-0146 . . . . .	319	197-0162 . . . . .	326
196-8015 . . . . .	48	197-0147 . . . . .	319	197-0165 . . . . .	313

CLICK HERE TO **DOWNLOAD** THE COMPLETE MANUAL

- Thank you very much for reading the preview of the manual.
- You can download the complete manual from: [www.heydownloads.com](http://www.heydownloads.com) by clicking the link below



- Please note: If there is no response to CLICKING the link, please download this PDF first and then click on it.

CLICK HERE TO **DOWNLOAD** THE COMPLETE MANUAL