

# 1998 JEEP GRAND CHEROKEE (ZJ)

## PARTS CATALOG

ILLUSTRATION AND TEXT  
(CHASSIS - BODY - TRIM)

August 2002

**SUPERSEDES**  
January 2002  
ENGLISH



Jeep

CHRYSLER • PLYMOUTH • DODGE • JEEP

**THE MOPAR DIFFERENCE**

## INDEX TO INFORMATION PAGES

The use of this Parts Catalog and the arrangement of information herein is explained in the General Information Section as indexed below.

Abbreviations .....	INF-13
Alphabetic Index .....	INF-10
Body Code Plate Interpretation .....	INF-12
Catalog Groups - Titles & Contents .....	INF-2
How to Use This Catalog and Locate Parts .....	INF-8
Illustration Index .....	INF-10
Illustration Numbering Index .....	INF-9
Index.....	INF-1
Logical Illustration Index.....	INF-3
Logical Illustrations .....	INF-9
Numerical Index .....	INF-10
Page Numbering.....	INF-9
Part Packages .....	INF-10
Standard Parts.....	INF-10
Symbols Used in this Catalog.....	INF-9
VIN Plate Decoding Information .....	INF-11

CLICK HERE TO **DOWNLOAD** THE COMPLETE MANUAL

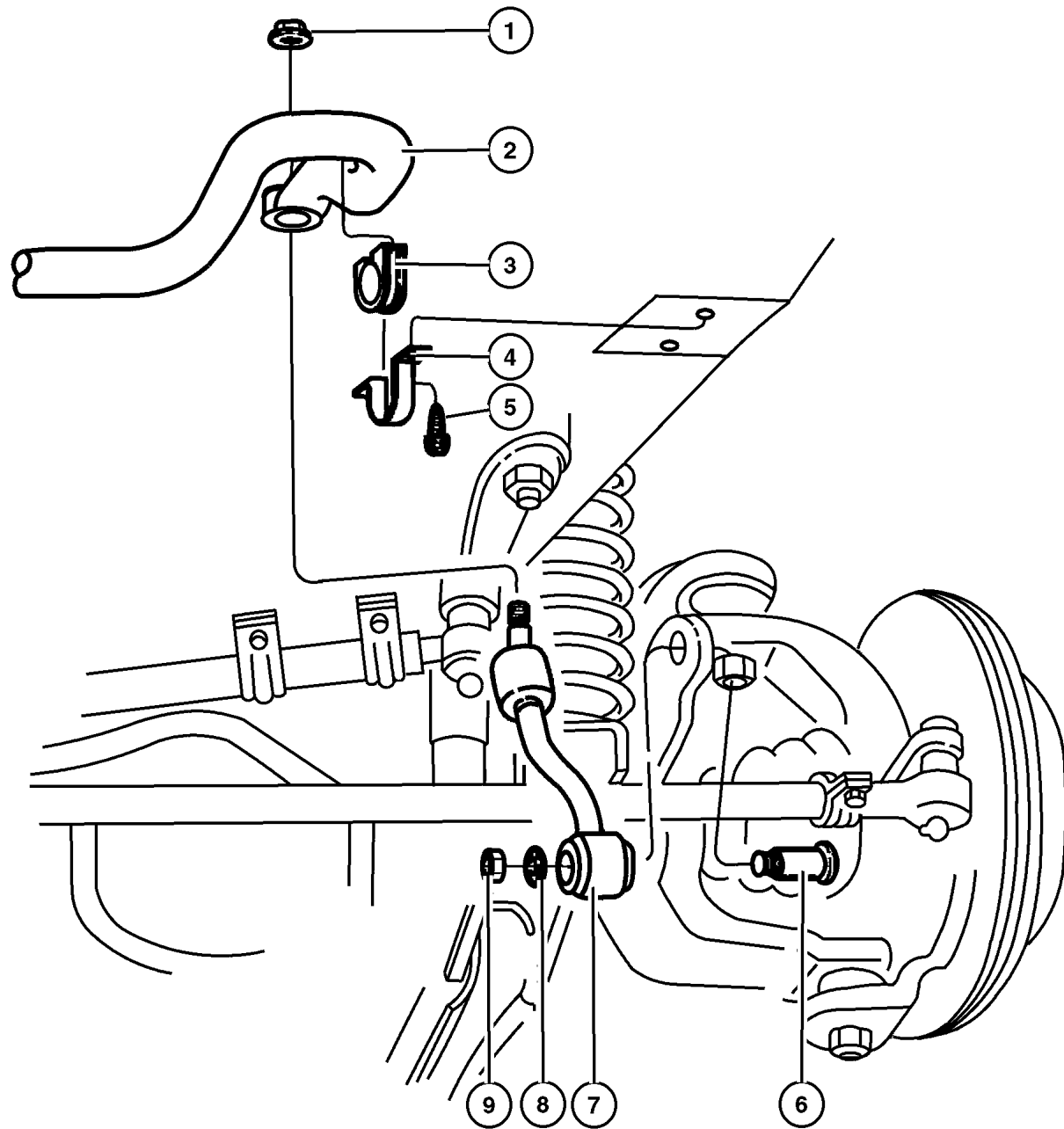
- Thank you very much for reading the preview of the manual.
- You can download the complete manual from: [www.heydownloads.com](http://www.heydownloads.com) by clicking the link below



- Please note: If there is no response to CLICKING the link, please download this PDF first and then click on it.

CLICK HERE TO **DOWNLOAD** THE COMPLETE MANUAL

**Bar,Front Stabilizer Bar  
Figure 002-120**



ITEM	PART NUMBER	QTY	LINE	SERIES	BODY	ENGINE	TRANS	TRIM	DESCRIPTION
1	6502 979	2							NUT AND WASHER, Hex, M10x1.5
2	5208 8100	1							BAR, Front Sway
3	5208 8523	2							CUSHION, Sway Eliminator, Stabilizer
4	5208 7865	2							RETAINER, Sway Bar
5	6101 972	4							SCREW AND WASHER
6	#6505 465AA	2							SCREW, Truss Head, M12x1.75x70
7	5208 8437	2							LINK, Sway Eliminator
8									WASHER, Flat, ID 13.07 x OD40.00 x THK 3.50, (NOT SERVICED) (Not Serviced)
9	6502 697	2							NUT, Hex Flange Lock, M12x1.75

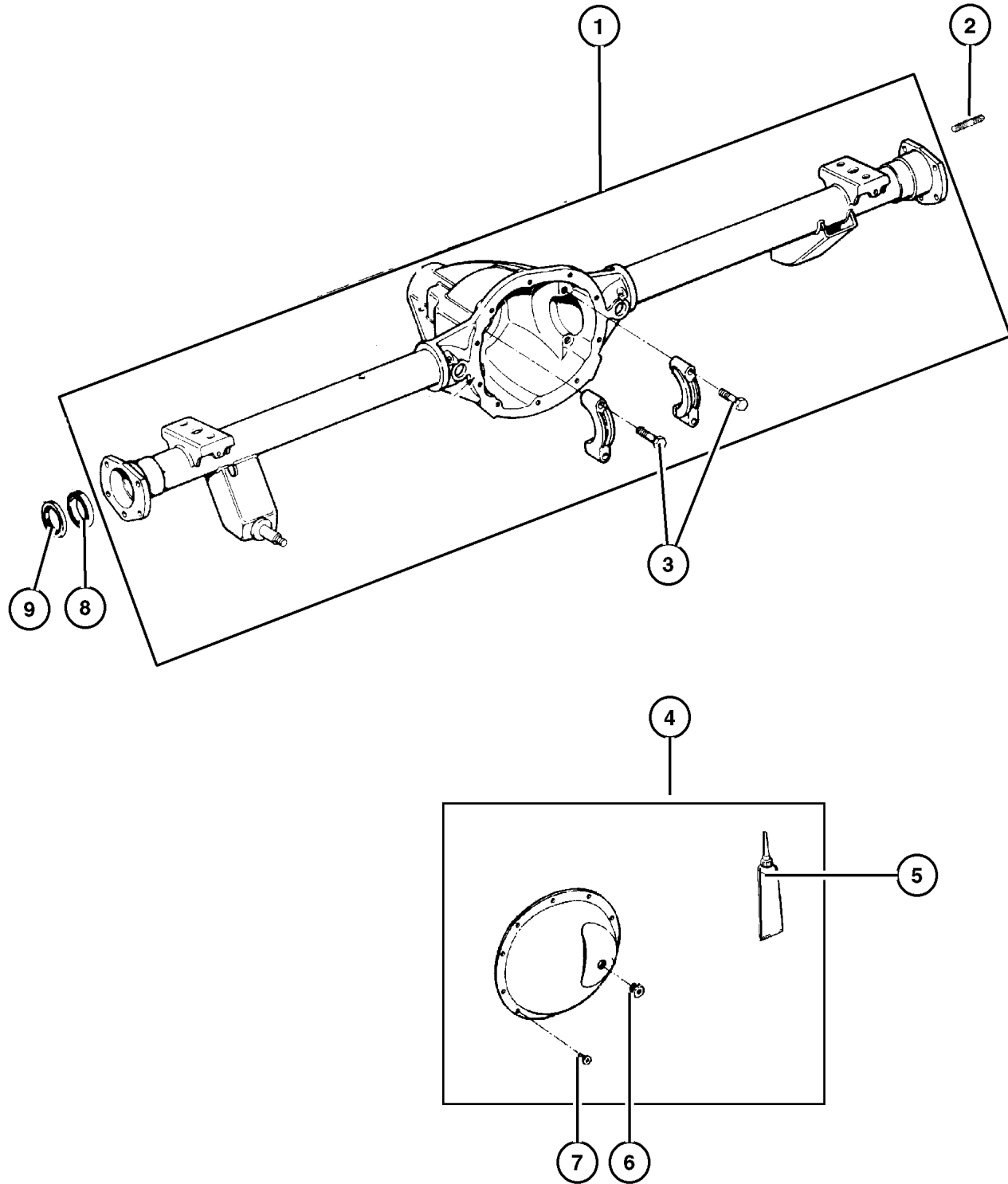
**GRAND CHEROKEE (ZJ)**

<b>SERIES</b>	<b>LINE</b>	<b>BODY</b>	<b>ENGINE</b>	<b>TRANSMISSION</b>
L = Low Line	J = 4WD T = 2WD	74 = 4 Door	ERH, ER0 = 4.0L Power Tech 6 Cyl. ELF, EL0 = 5.2L V8 MPI EML, EM0 = 5.9L V8 MPI	DGW = 4 Speed Auto. 44RE DGK = 4 Speed Auto. 42RE DGT = 4 Speed Auto. 46RE DG0 = All Speed Auto.

AR = Use as required - = Non illustrated part # = New this model year

July 31, 2002

Housing,Rear,Axle,Dana Model 44  
Figure 003-220



ITEM	PART NUMBER	QTY	LINE	SERIES	BODY	ENGINE	TRANS	TRIM	DESCRIPTION
1	4886 319AA	1							HOUSING, Axle
	#5003 335AA	1							with Tag 52098980,52098981 with Tag 52111998AA
2	4856 352	1							STUD, Axle Housing to Backing Plate
3	5012 879AA	4							BOLT, Differential, Carrier Cap Mounting
4	4856 347	1							COVER, Differential
5	5010 884AA	1	J						SEALANT, RTV
6	5252 504	1							PLUG, Differential Cover
7	J400 6708	10							SCREW, Pan Head, .312-18x.56, Cover Attaching
8	J813 4586	1							BEARING, Axle Shaft
9	4856 336	1							SEAL, Axle Drive Shaft

GRAND CHEROKEE (ZJ)				
SERIES	LINE	BODY	ENGINE	TRANSMISSION
L = Low Line	J = 4WD T = 2WD	74 = 4 Door	ERH, ER0 = 4.0L Power Tech 6 Cyl. ELF, EL0 = 5.2L V8 MPI EML, EM0 = 5.9L V8 MPI	DGW = 4 Speed Auto. 44RE DGK = 4 Speed Auto. 42RE DGT = 4 Speed Auto. 46RE DG0 = All Speed Auto.

AR = Use as required - = Non illustrated part # = New this model year

July 31, 2002

# Group – 005

## Service Brakes

### GROUP 5 - Service Brakes

Illustration Title

Group-Fig. No.

#### Front Brakes

Brakes,Front ..... Fig. 005-110

#### Rear Brakes

Brakes,Rear ..... Fig. 005-210

#### Power Brake Booster

Booster ..... Fig. 005-310

#### Brake Master Cylinder

Master Cylinder ..... Fig. 005-410

Hydraulic Control Unit Anti-lock ..... Fig. 005-420

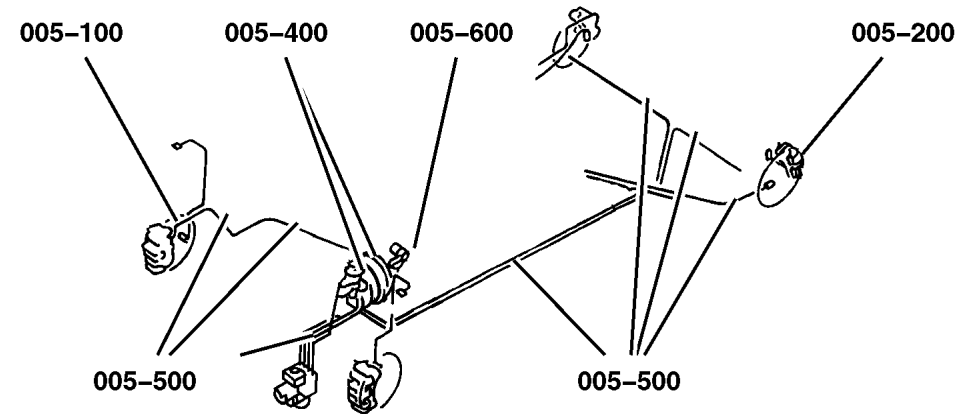
#### Brake Lines and Hoses

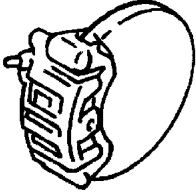
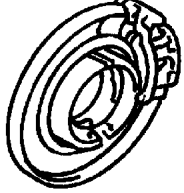
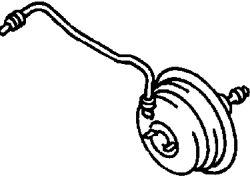
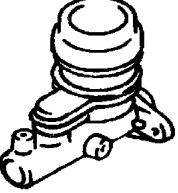
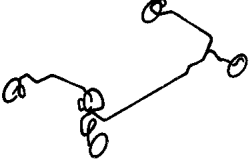

Brake Lines And Hoses,Front ..... Fig. 005-510

Brake Lines And Hoses,Rear ..... Fig. 005-520

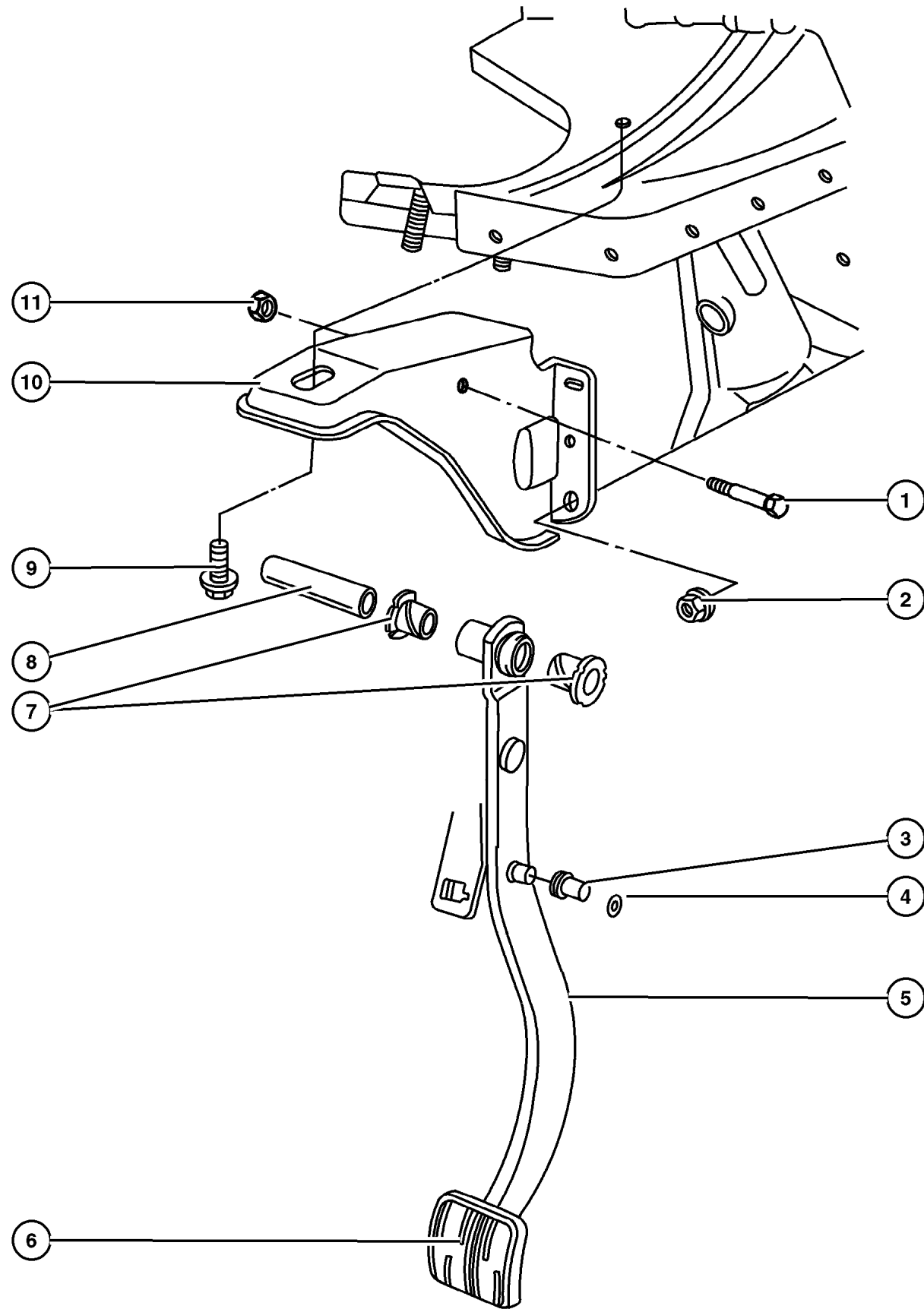
#### Brake Pedals

Brake Pedal ..... Fig. 005-610



<p><b>005-100</b> Front Brakes</p> 	<p><b>005-200</b> Rear Brakes</p> 	<p><b>005-300</b> Power Brake Booster</p> 	<p><b>005-400</b> Brake Master Cylinder</p> 
<p><b>005-500</b> Brake Lines and Hoses</p> 	<p><b>005-600</b> Brake Pedals</p> 		

## Brake Pedal Figure 005-610



ITEM	PART NUMBER	QTY	LINE	SERIES	BODY	ENGINE	TRANS	TRIM	DESCRIPTION
1	6100 206	1							BOLT, Hex Head, M14x70, Brake Pedal to Bracket Mounting
2	J400 3909	4							NUT, Hex Flange With Serration, Booster to Firewall Mounting
3	4446 361	1							BUSHING, Hydraulic Clutch Actuator
4	6035 334	1							CLIP, Brake Push Rod, Brake Booster Push Rod to Pedal Pin Retaining
5	5207 8995	1							PEDAL, Brake
6	5200 2749	1							PAD, Pedal
7	J322 5981	2							BUSHING, Pedal Shaft
8	5300 0637	1							SLEEVE, Pedal Shaft
9	0181 112	1							SCREW AND WASHER, .375-16x1.00, Brake Pedal Mounting Bracket
10	5207 8407	1							BRACKET, Brake Pedal
11	6502 585	1							NUT, Brake Pedal to Bracket Mounting

**GRAND CHEROKEE (ZJ)**

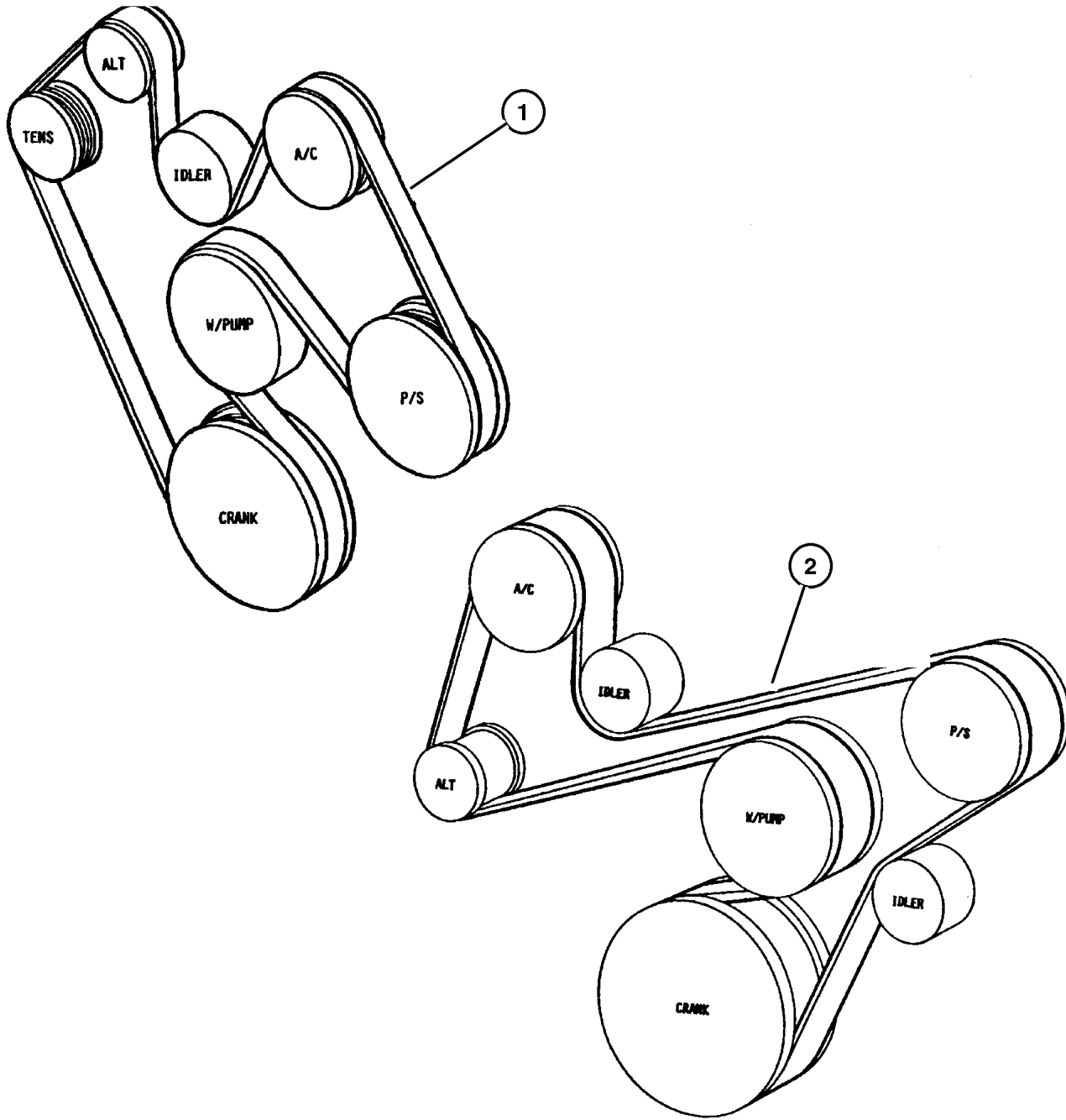
SERIES	LINE	BODY	ENGINE	TRANSMISSION
L = Low Line	J = 4WD T = 2WD	74 = 4 Door	ERH, ER0 = 4.0L Power Tech 6 Cyl. ELF, EL0 = 5.2L V8 MPI EML, EM0 = 5.9L V8 MPI	DGW = 4 Speed Auto. 44RE DGK = 4 Speed Auto. 42RE DGT = 4 Speed Auto. 46RE DG0 = All Speed Auto.

AR = Use as required - = Non illustrated part # = New this model year

July 31, 2002

Drive Belt  
Figure 007-520

ITEM	PART NUMBER	QTY	LINE	SERIES	BODY	ENGINE	TRANS	TRIM	DESCRIPTION
1	5301 1097	1				EL0, EM0			BELT, Accessory Drive, Drive, 5.2L/ 5.9L Engine
2	5301 0150	1				ER0			BELT, Accessory Drive, Drive, 4.0L Engine
-3	5300 8745	1				EL0, EM0	DGW		LABEL, Belt Routing

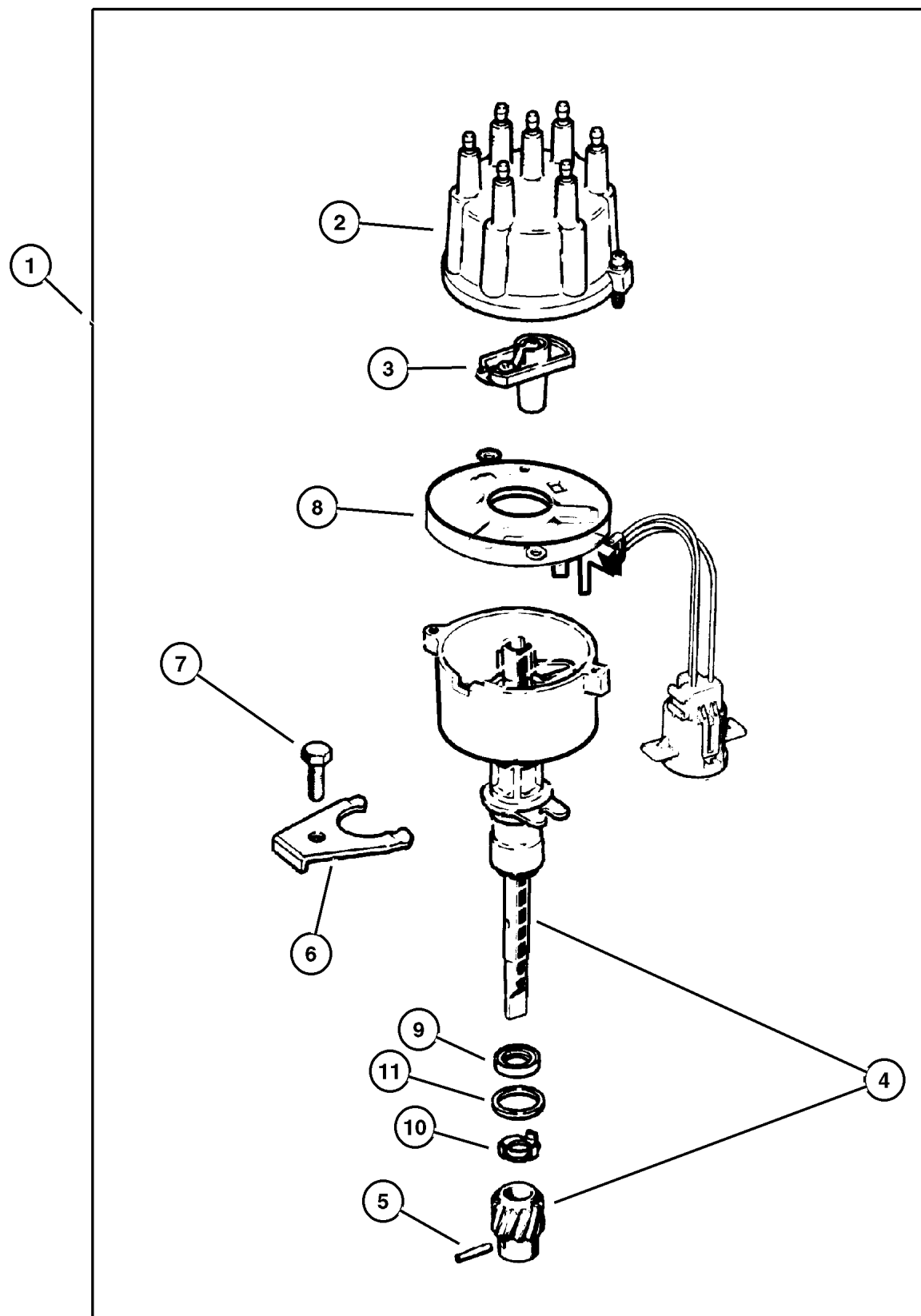


GRAND CHEROKEE (ZJ)  
 SERIES LINE BODY ENGINE TRANSMISSION  
 L = Low Line J = 4WD 74 = 4 Door ERH, ER0 = 4.0L Power Tech 6 Cyl. DGW = 4 Speed Auto. 44RE  
 ELF, EL0 = 5.2L V8 MPI DGK = 4 Speed Auto. 42RE  
 EML, EM0 = 5.9L V8 MPI DGT = 4 Speed Auto. 46RE  
 DG0 = All Speed Auto.

AR = Use as required - = Non illustrated part # = New this model year

July 31, 2002

**Distributor 4.0L Engine  
Figure 008-310**



ITEM	PART NUMBER	QTY	LINE	SERIES	BODY	ENGINE	TRANS	TRIM	DESCRIPTION
1	#5604 1034	1				ER0			DISTRIBUTOR, Engine
2	5602 6876	1				ER0			CAP, Distributor
3	5602 7019	1				ER0			ROTOR, Distributor
4	8350 4635	1				ER0			GEAR, Distributor Drive
5	9422 127	1				ER0			ROLL PIN, .19x.75
6	3300 4242	1				ER0			CLAMP, Distributor
7	6033 479	6	J			ER0	DGK		BOLT, Hex Head, .25-28x1-5/8
8	#5604 1030	1				ER0			SWITCHPLATE, Distributor
9									SEAL, Dist. Shaft (Serviced in Assembly Item # 1), (NOT SERVICED) (Not Serviced)
10	3300 4594	1				ER0			WASHER, Distributor Gear, Tabbed
11	5300 9078	1				ER0			WASHER, Distributor Gear

**GRAND CHEROKEE (ZJ)**

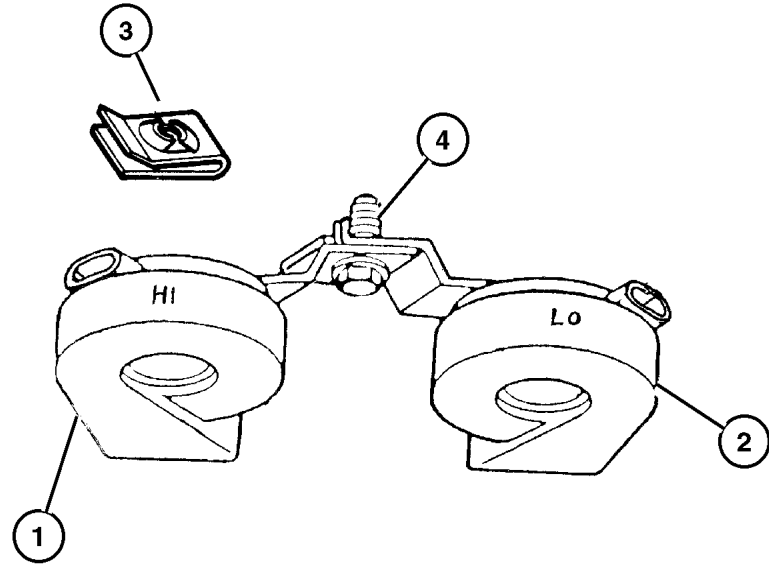
SERIES	LINE	BODY	ENGINE	TRANSMISSION
L = Low Line	J = 4WD T = 2WD	74 = 4 Door	ERH, ER0 = 4.0L Power Tech 6 Cyl. ELF, EL0 = 5.2L V8 MPI EML, EM0 = 5.9L V8 MPI	DGW = 4 Speed Auto. 44RE DGK = 4 Speed Auto. 42RE DGT = 4 Speed Auto. 46RE DG0 = All Speed Auto.

AR = Use as required - = Non illustrated part # = New this model year

July 31, 2002

## Horns Figure 008-910

ITEM	PART NUMBER	QTY	LINE	SERIES	BODY	ENGINE	TRANS	TRIM	DESCRIPTION
1	4886 257AA	1							HORN AND BRACKET, High Note, With Bracket
2	4886 256AA	1							HORN AND BRACKET, Low Note, With Bracket
3	6101 283	1							U-NUT, M8x1.25
4									SCREW, M8x1.25x22.00, (NOT SERVICED) (Not Serviced)



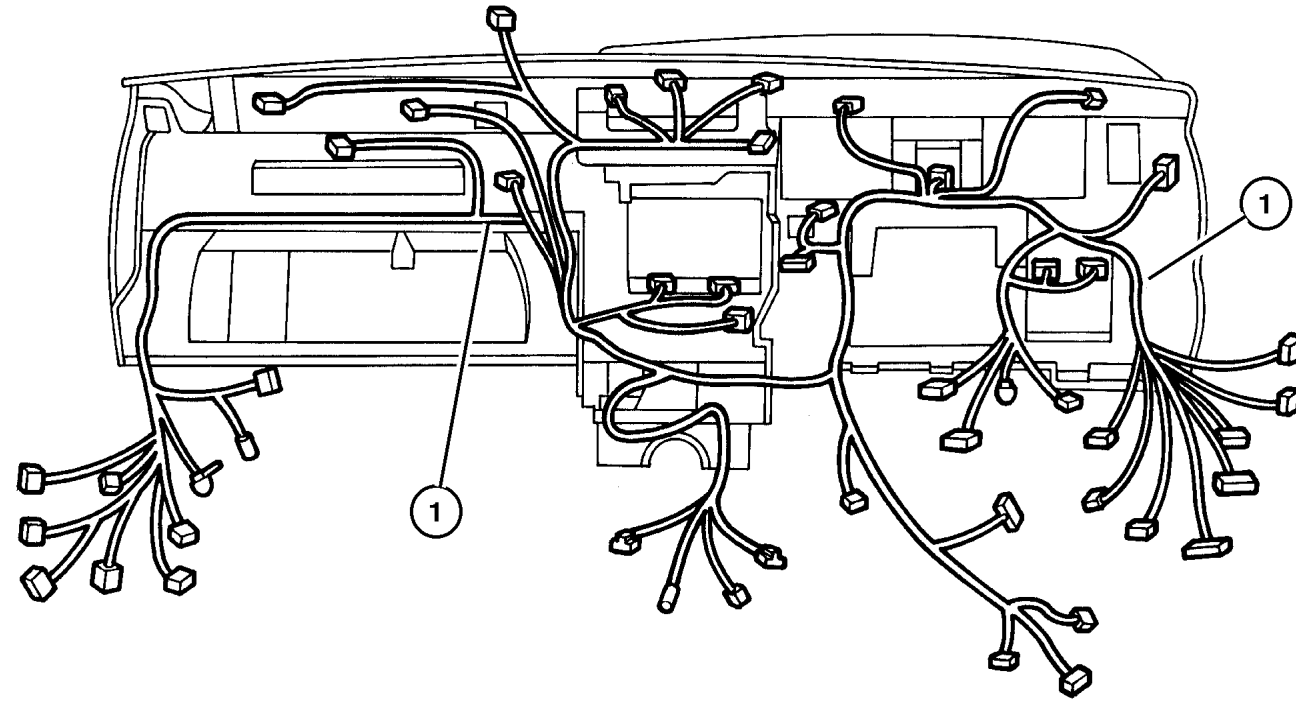
<b>GRAND CHEROKEE (ZJ)</b>				
SERIES	LINE	BODY	ENGINE	TRANSMISSION
L = Low Line	J = 4WD T = 2WD	74 = 4 Door	ERH, ER0 = 4.0L Power Tech 6 Cyl. ELF, EL0 = 5.2L V8 MPI EML, EM0 = 5.9L V8 MPI	DGW = 4 Speed Auto. 44RE DGK = 4 Speed Auto. 42RE DGT = 4 Speed Auto. 46RE DG0 = All Speed Auto.

AR = Use as required   - = Non illustrated part   # = New this model year

July 31, 2002

**Wiring Instrument Panel  
Figure 008-1405**

ITEM	PART NUMBER	QTY	LINE	SERIES	BODY	ENGINE	TRANS	TRIM	DESCRIPTION
1									WIRING, Instrument Panel
	#56010 241AC	1							With Auto Temp Control
	#56010 242AC	1							With Air Conditioning, Heated Seats, Vehicle Info Center, Security
	#56042 553AC	1							With A/C, Without Heated Seat, Vehicle Info, Center, Security
-2	00AT M10	8							FUSE, Mini, 10 AMP, Red
-3	00AT M15	1							FUSE, Mini, 15 AMP, Light Blue
-4	00AT M20	1							FUSE, Mini, 20 AMP, Yellow
-5									BREAKER, Circuit
	4124 795	1							Power Window
	4604 235	1							Power Seat
-6	5601 8509	1							JUNCTION BLOCK, Relay
-7									COVER, Fuse Access
	5600 9715	1							Without Max Cooling
	#56042 613AA	1							With Max Cooling
-8	5600 7243	1							FLASHER, Combination (2) (4) Lamp



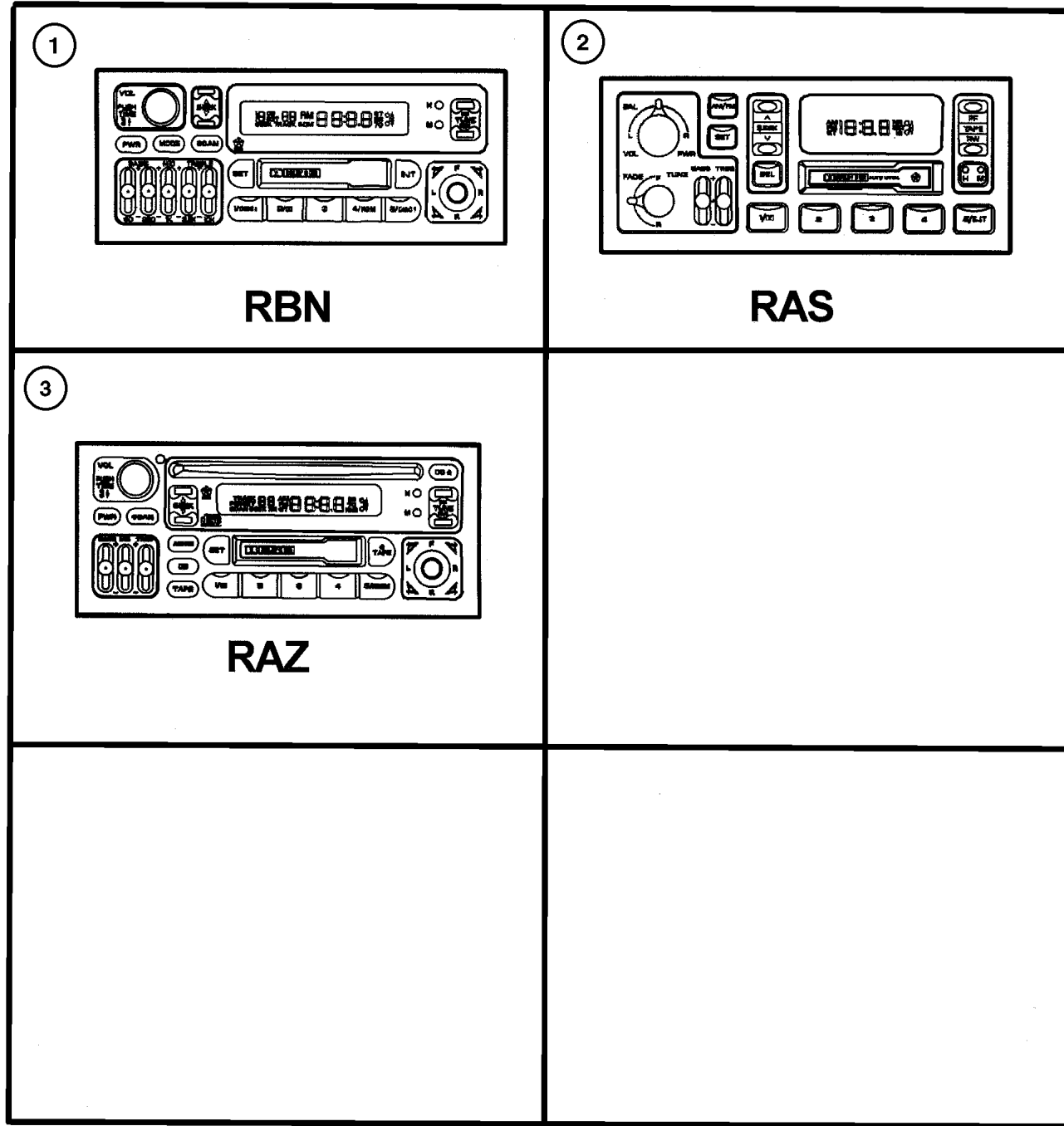
**GRAND CHEROKEE (ZJ)**

SERIES	LINE	BODY	ENGINE	TRANSMISSION
L = Low Line	J = 4WD T = 2WD	74 = 4 Door	ERH, ER0 = 4.0L Power Tech 6 Cyl. ELF, EL0 = 5.2L V8 MPI EML, EM0 = 5.9L V8 MPI	DGW = 4 Speed Auto. 44RE DGK = 4 Speed Auto. 42RE DGT = 4 Speed Auto. 46RE DG0 = All Speed Auto.

AR = Use as required - = Non illustrated part # = New this model year

July 31, 2002

**Radio  
Figure 08A-310**



ITEM	PART NUMBER	QTY	LINE	SERIES	BODY	ENGINE	TRANS	TRIM	DESCRIPTION
------	-------------	-----	------	--------	------	--------	-------	------	-------------

[RAS]=AM/FM Cassette  
 [RAZ]=AM/FM w/CD & Cassette  
 [RBN]=AM/FM Cassette w/Control

1	4704 386AB	1							RADIO, AM/FM Cassette with CD Control, [RBN]
2	#4858 556AC	1							RADIO, AM/FM Cassette, [RAS]
3	4704 383AD	1							RADIO, AM/FM with CD and Cassette, [RAZ]
-4	5600 7524	1							STRAP, Ground

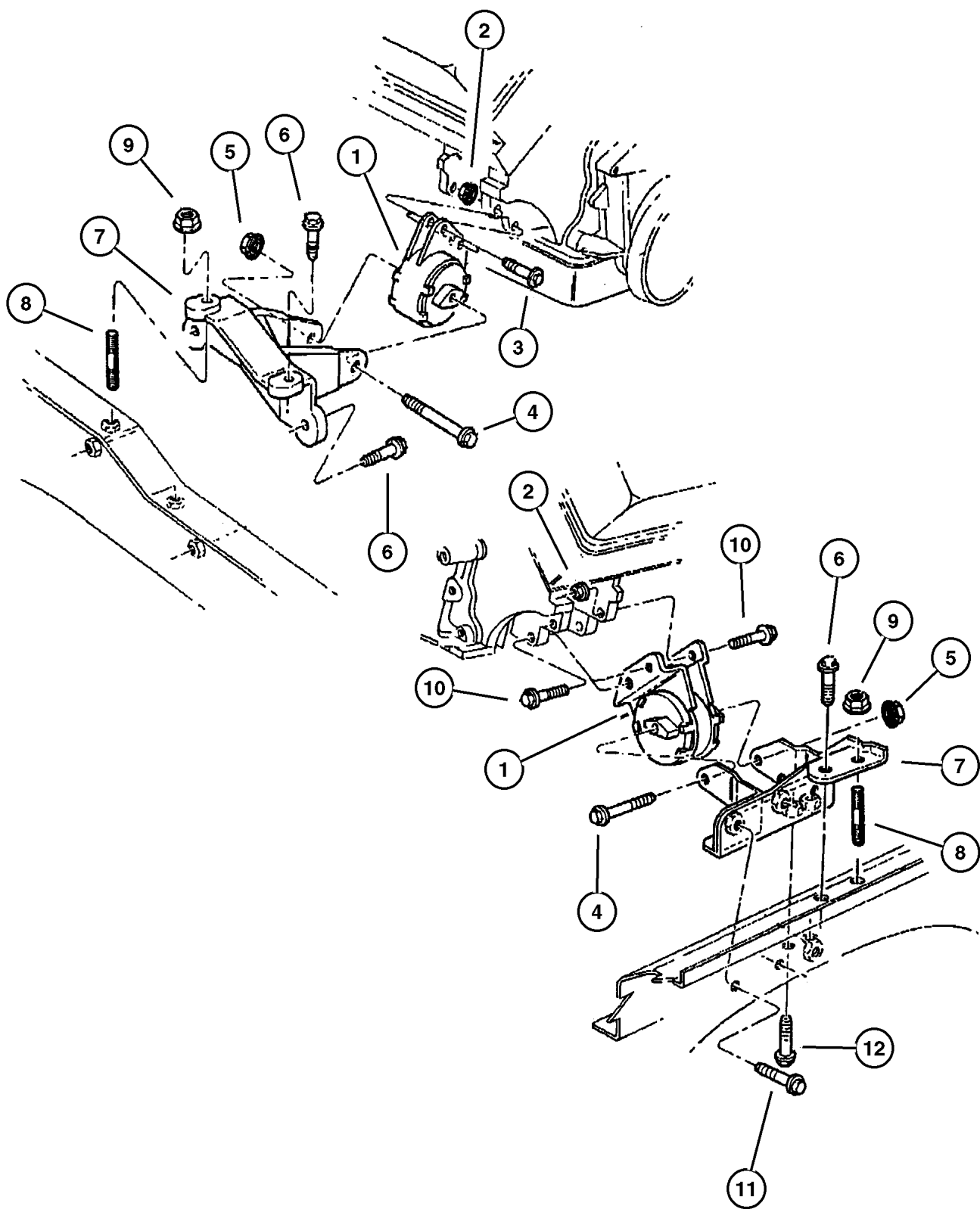
GRAND CHEROKEE (ZJ)				
SERIES	LINE	BODY	ENGINE	TRANSMISSION
L = Low Line	J = 4WD T = 2WD	74 = 4 Door	ERH, ER0 = 4.0L Power Tech 6 Cyl. ELF, EL0 = 5.2L V8 MPI EML, EM0 = 5.9L V8 MPI	DGW = 4 Speed Auto. 44RE DGK = 4 Speed Auto. 42RE DGT = 4 Speed Auto. 46RE DG0 = All Speed Auto.

AR = Use as required - = Non illustrated part # = New this model year

July 31, 2002

**Engine Mounting, Front 5.9L (EML) Engine  
Figure 009-150**

ITEM	PART NUMBER	QTY	LINE	SERIES	BODY	ENGINE	TRANS	TRIM	DESCRIPTION
1						EL0, EM0			INSULATOR, Engine Mount
	5205 8504	1							Right
	5205 9219	1				EM0			Left
2									NUT, 7/16x14, (NOT SERVICED) (Not Serviced)
3	6030 754	2				EL0, EM0			SCREW AND WASHER, Hex Head, .437-14x1.875 Grade 8
4	6504 553	2							SCREW, Oval Head, SCREW
5	6502 697	2							NUT, Hex Flange Lock, M12x1.75
6	6503 119	4				EL0, EM0			SCREW AND WASHER, Hex Head, M10x1.5x40
7									BRACKET, Sill
	5205 8009	1				EL0, EM0			Left
	5205 8014	1				EL0, EM0			Right
8	6504 794AA	2				EL0, EM0			STUD, Double Ended, M10x1.5x59
9	6101 448	2				EL0, EM0			NUT AND WASHER, Hex Nut-Coned Washer, M10 x 1.5
10	6030 713	3				EL0, EM0			SCREW AND WASHER, Hex Head, .437-14x1.625 Grade 8
11	6502 560	2				EL0, EM0			BOLT, Hex Flange Pilot Point, M12x1.75 x 95
12	6502 557	2							BOLT, Hex Flange Head, M12x1. 75x40



**GRAND CHEROKEE (ZJ)**

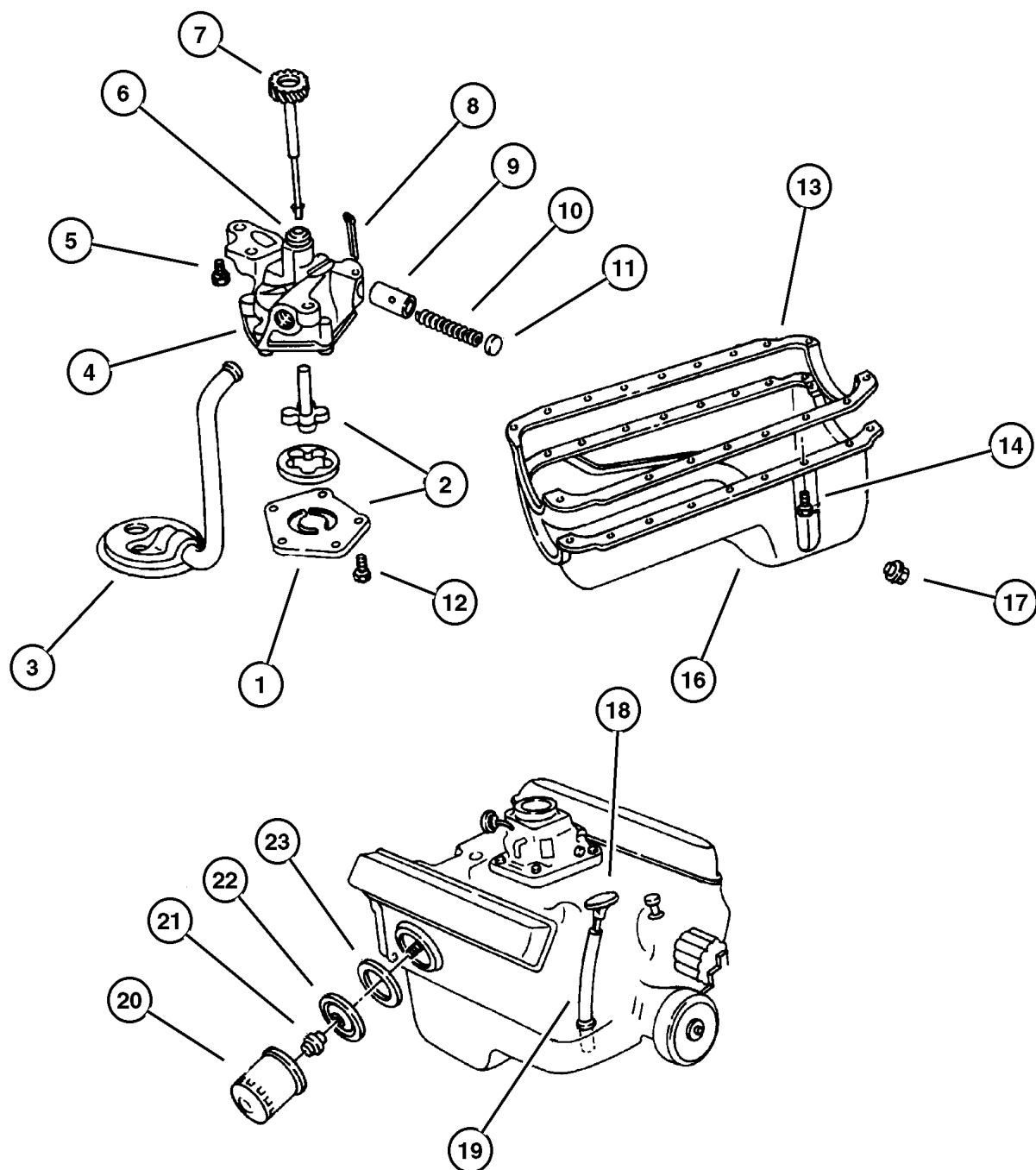
SERIES	LINE	BODY	ENGINE	TRANSMISSION
L = Low Line	J = 4WD T = 2WD	74 = 4 Door	ERH, ER0 = 4.0L Power Tech 6 Cyl. ELF, EL0 = 5.2L V8 MPI EML, EM0 = 5.9L V8 MPI	DGW = 4 Speed Auto. 44RE DGK = 4 Speed Auto. 42RE DGT = 4 Speed Auto. 46RE DG0 = All Speed Auto.

AR = Use as required - = Non illustrated part # = New this model year

July 31, 2002



**Engine Oiling 5.2L (ELF) Engine  
Figure 5.2L-710**



ITEM	PART NUMBER	QTY	LINE	SERIES	BODY	ENGINE	TRANS	TRIM	DESCRIPTION
1	4071 043	1				ELO			COVER, Engine Oil Pump
2	3837 648	1				ELO			SHAFT AND ROTOR PACKAGE, Oil Pump
3	5302 0462	1				ELO			PICKUP, Engine Oil
4	5300 9295	1				ELO			PUMP, Engine Oil
5	0179 842	2				ELO, EMO			SCREW, Hex Head Header Point, .375-16x1.375
6	1737 725	1				ELO			BUSHING, Oil Pump and Distributor
7	5302 0546	1				ELO, EMO			SHAFT, Oil Pump
8	0108 636	1				ELO			PIN, Cotter
9	2843 208	1				ELO			PLUNGER, Oil Pressure Relief Valve
10	2402 473	1				ELO			SPRING, Oil Pressure Relief Valve
11	2806 273	1				ELO			CAP, Oil Pressure Relief Valve
12	0220 480	5				ELO			SCREW, Hex Head Header Point, .25-20x.75
13	5300 5650	1				ELO			GASKET, Oil Pan
14	6034 483	18				ELO, EMO			SCREW, Hex Head Coned, .312-18x.875
-15	6034 733	1				ELO, EMO			STUD, .312-18/.250-20x1.680
16	5302 0913	1				ELO			PAN, Engine Oil
17	6035 417	1				ELO			PLUG, Oil Drain
18	5302 0948	1				ELO, EMO			INDICATOR, Engine Oil Level
19	5300 9121	1				ELO, EMO			TUBE, Engine Oil Indicator
20	5281 090	1				ELO, EMO			FILTER, Engine Oil
21	5300 7563	1				ELO, EMO			CONNECTOR, Oil Filter
22	5302 1053	1				ELO, EMO			PLATE, Oil Filter Adapter
23	5302 0461	1				ELO, EMO			GASKET, Oil Filter Adapter

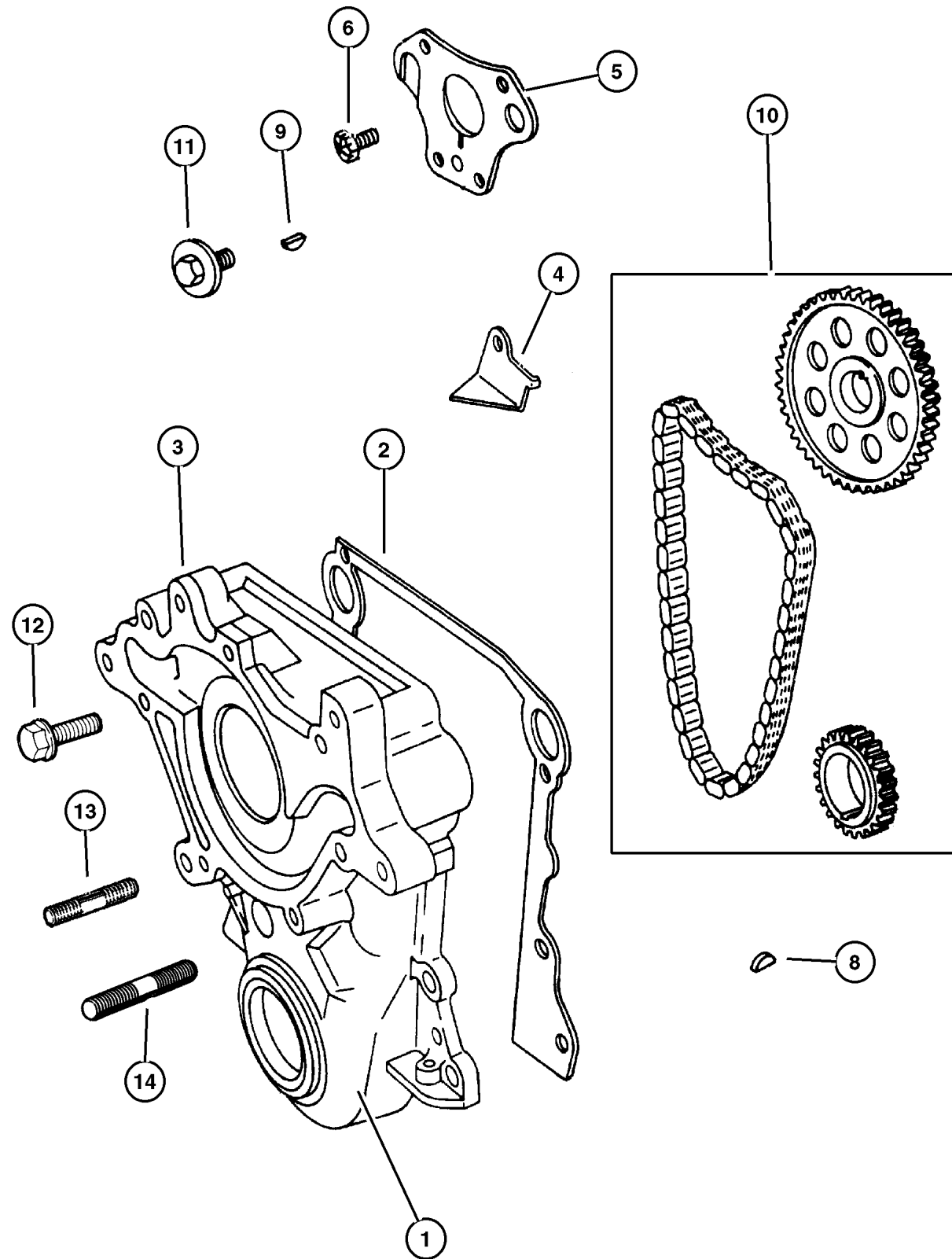
**GRAND CHEROKEE (ZJ)**

<b>SERIES</b>	<b>LINE</b>	<b>BODY</b>	<b>ENGINE</b>	<b>TRANSMISSION</b>
L = Low Line	J = 4WD T = 2WD	74 = 4 Door	ERH, ER0 = 4.0L Power Tech 6 Cyl. ELF, ELO = 5.2L V8 MPI EML, EMO = 5.9L V8 MPI	DGW = 4 Speed Auto. 44RE DGK = 4 Speed Auto. 42RE DGT = 4 Speed Auto. 46RE DG0 = All Speed Auto.

AR = Use as required - = Non illustrated part # = New this model year

July 31, 2002

Timing Cover 5.9L (EML) Engine  
Figure 5.9L-610



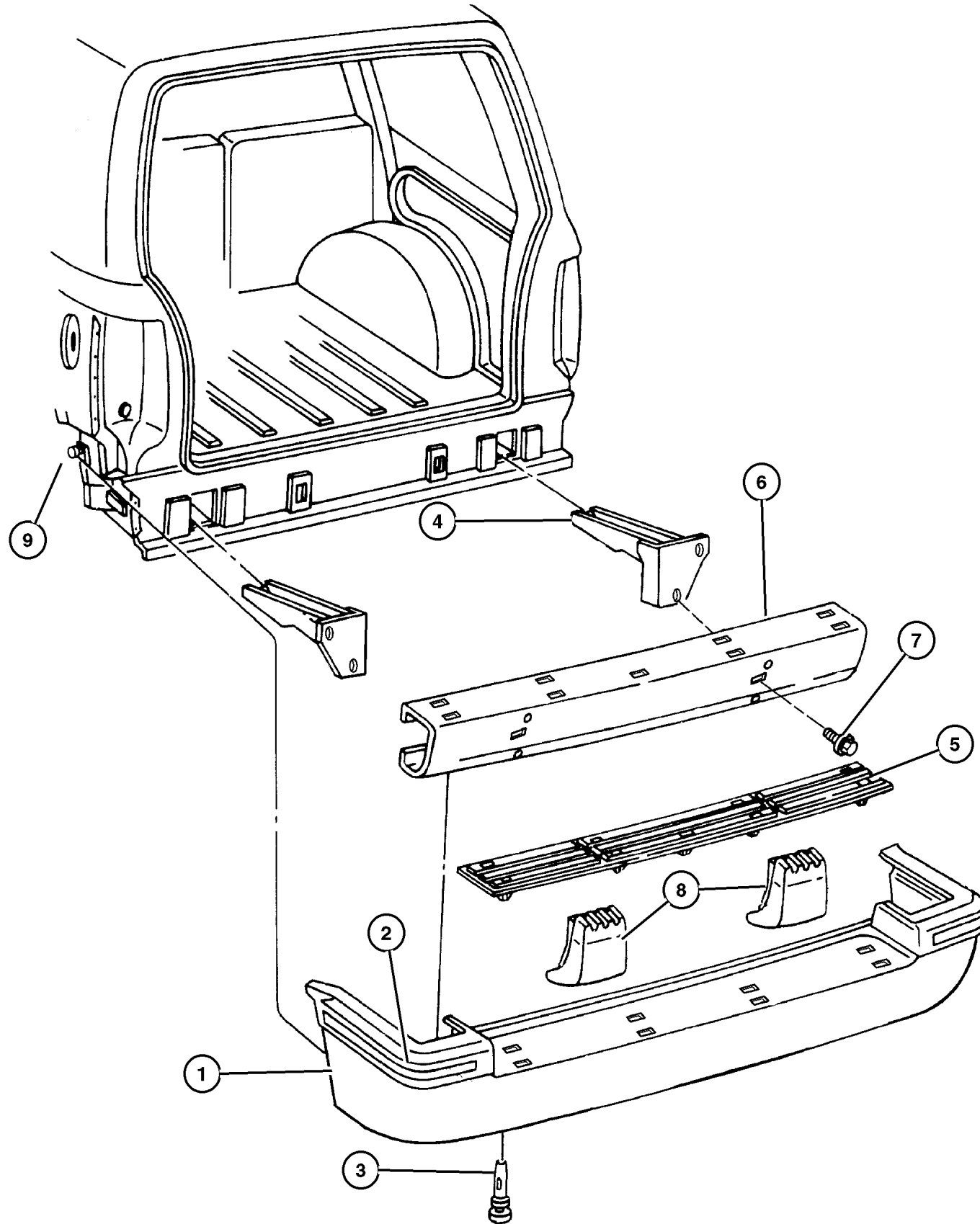
ITEM	PART NUMBER	QTY	LINE	SERIES	BODY	ENGINE	TRANS	TRIM	DESCRIPTION
1	4897 297AA	1				EMO			SEAL PACKAGE, Timing Case Cover
2	5302 1057	1				EL0, EMO			GASKET, Chain Case Cover
3	4897 723AA	1				EMO			COVER PACKAGE, Engine Timing
4	3671 649	1				EL0, EMO			TAB, Timing Chain Oil
5	4315 764	1				EL0, EMO			PLATE, Camshaft Thrust
6									SCREW, Hex Head, .312-18.625, (NOT REQUIRED)
-7	#1947 953	3				EL0, EMO			SCREW AND WASHER, Hex Head
8	6029 411	1				EMO	DG0		KEY, Crankshaft Sprocket
9	6029 411	1				EMO	DG0		KEY, Crankshaft Sprocket
10	8350 7095	1				EMO			CHAIN PACKAGE, Timing
11	6034 321	1				EL0, EMO			SCREW AND WASHER, Hex Head, Coned, Header, .437-14x1.375
12	6034 479	1				EL0, EMO			BOLT, Hex Head, .375-16x2.25
13	6034 452	1				EL0, EMO			STUD, .375-16x.375-16x2.38
14	6034 453	2				EL0, EMO			STUD, .375-16x.375-16x1.63

GRAND CHEROKEE (ZJ)  
 SERIES LINE BODY ENGINE TRANSMISSION  
 L = Low Line J = 4WD 74 = 4 Door ERH, ER0 = 4.0L Power Tech 6 Cyl. DGW = 4 Speed Auto. 44RE  
 ELF, EL0 = 5.2L V8 MPI DGK = 4 Speed Auto. 42RE  
 EML, EM0 = 5.9L V8 MPI DGT = 4 Speed Auto. 46RE  
 DG0 = All Speed Auto.

AR = Use as required - = Non illustrated part # = New this model year

July 31, 2002

**Bumper, Rear**  
**Figure 013-340**



ITEM	PART NUMBER	QTY	LINE	SERIES	BODY	ENGINE	TRANS	TRIM	DESCRIPTION
1									FASCIA, Rear
	5DP6 5SS5	1							Laredo (ARN)
	5FY80 VF7AB	1							Laredo Special Appearance (ADX)
	4798 892	AR							Limited (ARP), Laredo Special Edition (ADZ)
	5ES22 VF7AB	1							TSI (AFM), Brownstone Injected
	5ES2 2MFD	1							TSI (AFM), Driftwood Painted
	5ES22 DX9AB	1							TSI (AFM), Black Injected
	5ES2 2DX9	1							TSI (AFM), Black Painted
2	5FS9 6HC3	1							TAPE, Fascia, Rear, TSI (AFM)
3	6503 106	4							RETAINER, Push In Type M6.3 Hole
4									BRACKET, Rear Bumper
	5525 5338	1							Right
	5525 5339	1							Left
5	5503 1880	1							PLATE, Scuff, Rear Bumper Step
6	5515 5459	1							REINFORCEMENT, Rear Bumper
7									SCREW, (NOT SERVICED) (Not Serviced)
8									ABSORBER, Rear Energy
	5529 5508	1							Laredo (ARN,ADX)
	5525 5128	1							Limited (ARP)
	5529 5508	1							TSI (AFM)
9	5525 4700	AR							PLATE, Fascia, Fascia Stud Repair
-10	6503 871	4							STUD, M12x1.75x65.50

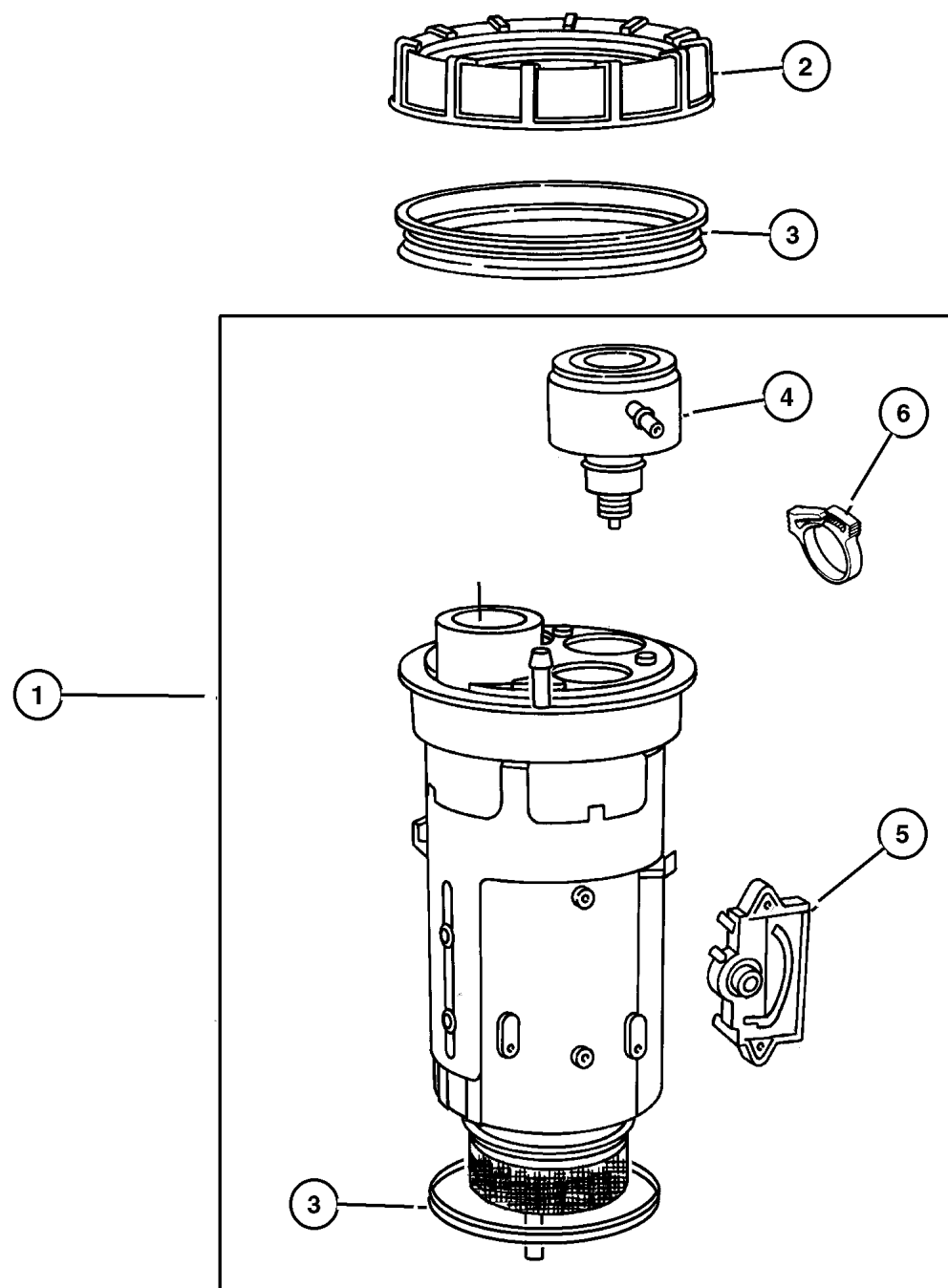
**GRAND CHEROKEE (ZJ)**

SERIES	LINE	BODY	ENGINE	TRANSMISSION
L = Low Line	J = 4WD T = 2WD	74 = 4 Door	ERH, ER0 = 4.0L Power Tech 6 Cyl. ELF, EL0 = 5.2L V8 MPI EML, EM0 = 5.9L V8 MPI	DGW = 4 Speed Auto. 44RE DGK = 4 Speed Auto. 42RE DGT = 4 Speed Auto. 46RE DG0 = All Speed Auto.

AR = Use as required - = Non illustrated part # = New this model year

July 31, 2002

Fuel Module 4.0L (ERH), 5.2L (ELF), 5.9L (EML) Engine  
Figure 014-520



ITEM	PART NUMBER	QTY	LINE	SERIES	BODY	ENGINE	TRANS	TRIM	DESCRIPTION
1	4874 172	1				EL0, EM0, ER0			MODULE PACKAGE, Fuel Tank
2	5200 5389	1				EL0, EM0, ER0			NUT, Fuel Pump Module
3	5201 8808	1				EL0, EM0, ER0			SEAL, Fuel Pump and Level Unit
4	4798 301	1				EL0, EM0, ER0			FILTER, Fuel
5	5010 176AA	1				EL0, EM0, ER0			BOARD PACKAGE, Fuel Level Circuit
6	4625 797	1				EL0, EM0, ER0			CLIP, Connector

GRAND CHEROKEE (ZJ)

SERIES	LINE	BODY	ENGINE	TRANSMISSION
L = Low Line	J = 4WD T = 2WD	74 = 4 Door	ERH, ER0 = 4.0L Power Tech 6 Cyl. ELF, EL0 = 5.2L V8 MPI EML, EM0 = 5.9L V8 MPI	DGW = 4 Speed Auto. 44RE DGK = 4 Speed Auto. 42RE DGT = 4 Speed Auto. 46RE DG0 = All Speed Auto.

AR = Use as required - = Non illustrated part # = New this model year

July 31, 2002

**Propeller Shaft,Rear  
Figure 016-120**

ITEM	PART NUMBER	QTY	LINE	SERIES	BODY	ENGINE	TRANS	TRIM	DESCRIPTION
------	-------------	-----	------	--------	------	--------	-------	------	-------------

Note:DGK,DGT,DGW=4 Speed Automatic Transmission---DG0=All Automatic Transmissions

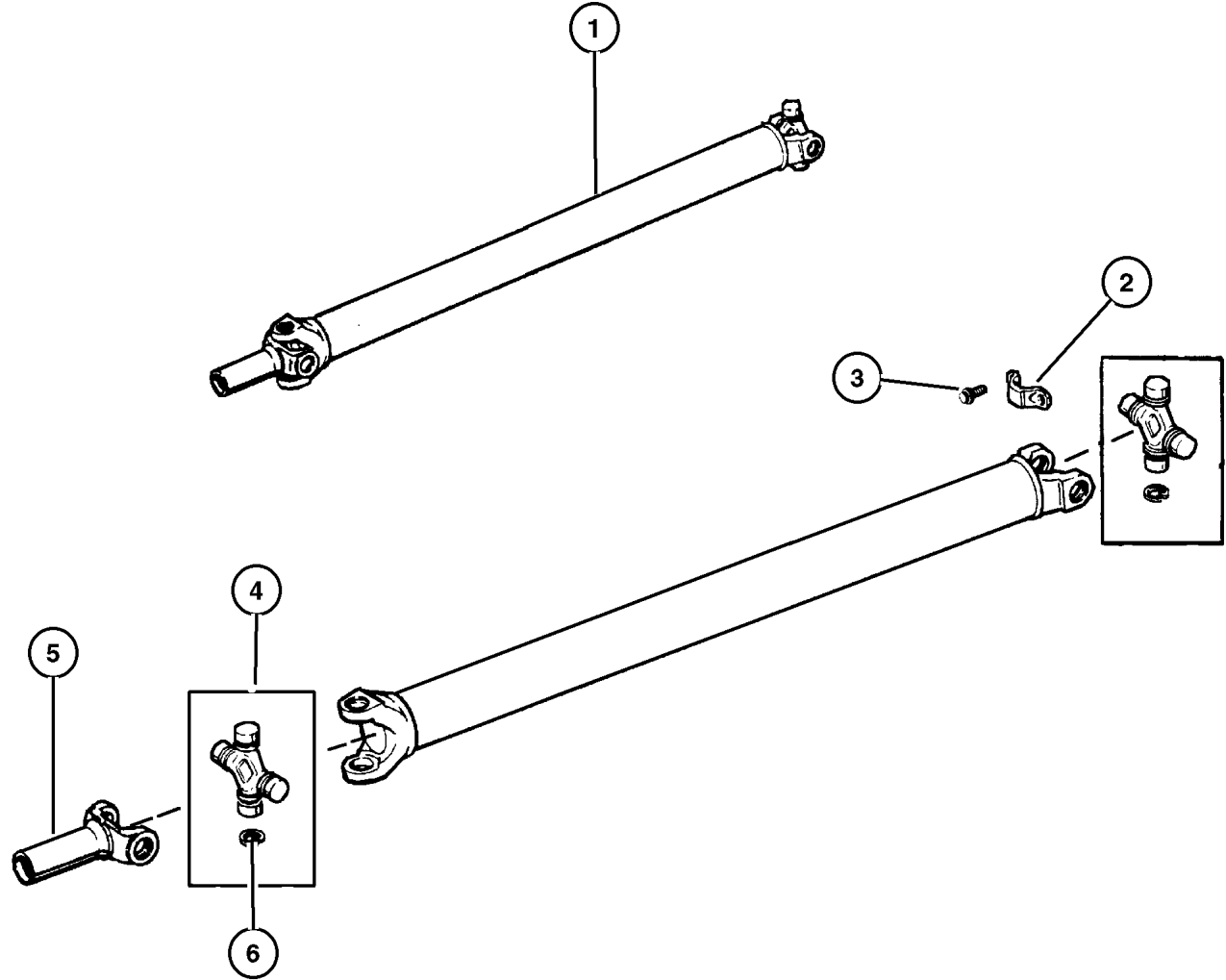
1	5209 8702	1	J			EL0, EM0	DGW		SHAFT, Drive [DHR,DRK]
	5209 8703	1	J			ER0	DGK		[DHR,DRJ,DRM]
	5211 1910	1	J			ER0	DGK		[DHP,DRJ,DRM]
	#52111 831AA	1	J			EM0	DGT		
	52111 704AC	1	T			EL0, EM0	DG0		2 Wheel Drive
	52098 947AC	1	T			ER0	DGK		2 Wheel Drive
2	J324 0553	2							STRAP, Prop Shaft, to Rear Axle
3	J400 6928	4							BOLT, to Rear Axle
4									U JOINT
	4882 793	2	J			EL0	DGW		with Shaft 52098702, Front And Rear
		2	J			ER0	DGK		with Shaft 52098703, Front And Rear
		1	J			ER0	DGK		with Shaft 52111910, Front And Rear
	4746 936	2	J			EM0	DGT		with Shaft 52111831AA, Front And Rear
	4882 793	2	T			EL0, EM0	DG0		with Shaft 52111704AC, Front And Rear
		2	T			ER0	DG0		with Shaft 52098947AC, Front And Rear
5	4874 052	1	J			EL0, EM0	DGW		YOKE, Drive Shaft with Shaft 52098702
		1	J			ER0	DGK		with Shaft 52098703
	4882 714	1	J			ER0	DGK		with Shaft 52111910
	#5010 417AA	1	J			EM0	DGT		with Shaft 52111831AA
	5010 030AA	1	T			EL0, EM0	DG0		with Shaft 52111704AC
		1	T			ER0	DGK		with Shaft 52098947AC
6	J320 7886	4	J			EL0	DGW		RING, U Joint
		4	J			ER0			
		4	J			ER0	DGK		
		4	J			EM0	DGT		
		4	T			EL0, EM0	DG0		
		4	T			ER0	DGK		

**GRAND CHEROKEE (ZJ)**

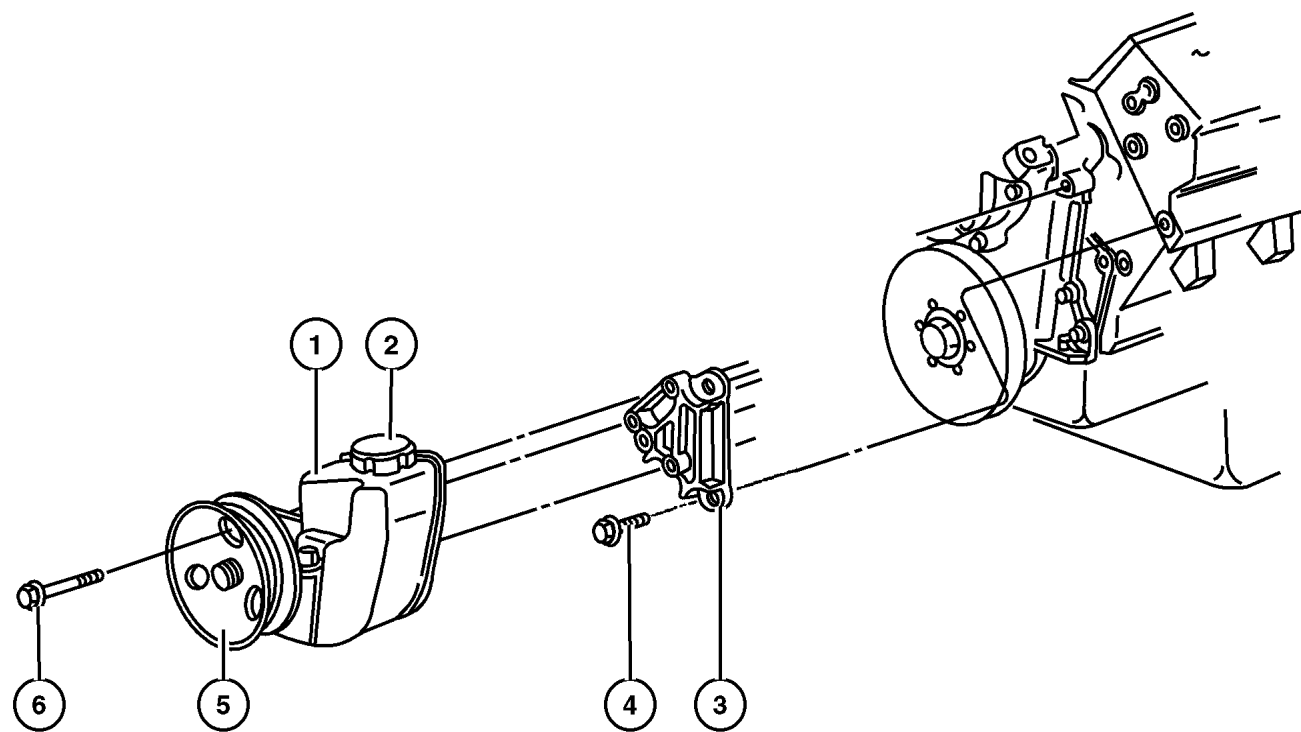
SERIES	LINE	BODY	ENGINE	TRANSMISSION
L = Low Line	J = 4WD T = 2WD	74 = 4 Door	ERH, ER0 = 4.0L Power Tech 6 Cyl. ELF, EL0 = 5.2L V8 MPI EML, EM0 = 5.9L V8 MPI	DGW = 4 Speed Auto. 44RE DGK = 4 Speed Auto. 42RE DGT = 4 Speed Auto. 46RE DG0 = All Speed Auto.

AR = Use as required - = Non illustrated part # = New this model year

July 31, 2002



**Pump,Power Steering,and Mounting  
Figure 019-510**



ITEM	PART NUMBER	QTY	LINE	SERIES	BODY	ENGINE	TRANS	TRIM	DESCRIPTION
1	5208 8139	1				EL0, EM0,			PUMP, Power Steering
2	4897 287AA	1				ER0 EL0, EM0,			CAP, Power Steering Reservoir
3	5301 0256	1				ER0 EL0, EM0			BRACKET, Power Steering Pump
4									SCREW AND WASHER, Hex Head, .375-16x1.00, Quantity 5, (NOT SERVICED) (Not Serviced)
5	5301 0258	1				ER0			PULLEY, Power Steering Pump
	5301 1017	1				EL0, EM0			
6									SCREW AND WASHER, Hex Head, .312-18x.75, Quantity 3, (NOT SERVICED) (Not Serviced)

**GRAND CHEROKEE (ZJ)**

SERIES	LINE	BODY	ENGINE	TRANSMISSION
L = Low Line	J = 4WD T = 2WD	74 = 4 Door	ERH, ER0 = 4.0L Power Tech 6 Cyl. ELF, EL0 = 5.2L V8 MPI EML, EM0 = 5.9L V8 MPI	DGW = 4 Speed Auto. 44RE DGK = 4 Speed Auto. 42RE DGT = 4 Speed Auto. 46RE DG0 = All Speed Auto.

AR = Use as required - = Non illustrated part # = New this model year

July 31, 2002

CLICK HERE TO **DOWNLOAD** THE COMPLETE MANUAL

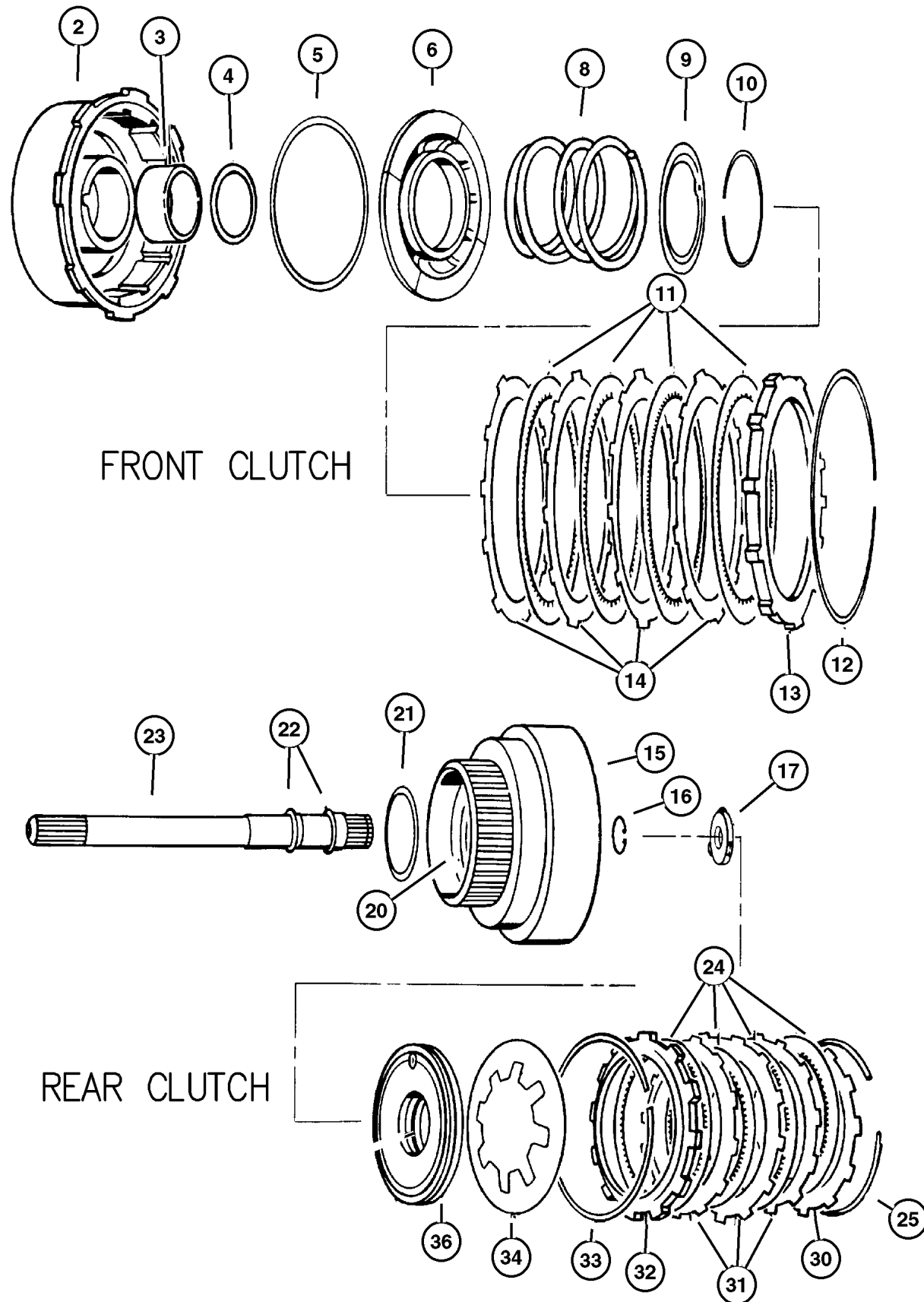
- Thank you very much for reading the preview of the manual.
- You can download the complete manual from: [www.heydownloads.com](http://www.heydownloads.com) by clicking the link below



- Please note: If there is no response to CLICKING the link, please download this PDF first and then click on it.

CLICK HERE TO **DOWNLOAD** THE COMPLETE MANUAL

**Clutch, Front And Rear With Gear Train 42RE (DGK)  
Figure 42RE-410**



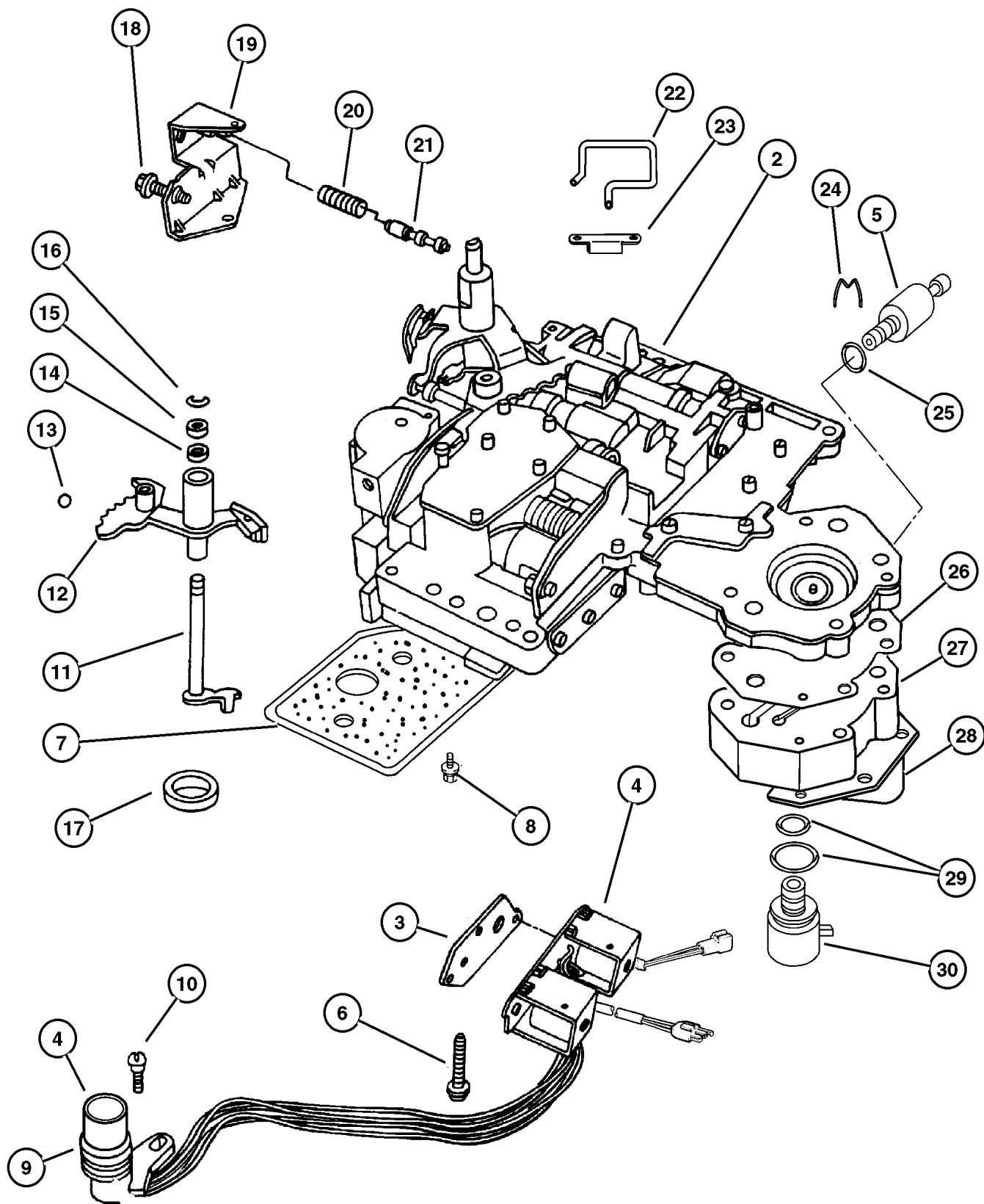
ITEM	PART NUMBER	QTY	LINE	SERIES	BODY	ENGINE	TRANS	TRIM	DESCRIPTION
		1	J			ER0	DGK		Frnt. Clutch Pressure
14		4	T			ER0	DGK		PLATE, Clutch Separator
	#1942 403AB	4	J			ER0	DGK		
15		1	T			ER0	DGK		RETAINER, Transmission Rear
	4505 199	1	J			ER0	DGK		Clutch
		1							Rear Clutch
16		1	J			ER0	DGK		Rear Clutch
	6022 859	1	T			ER0	DGK		SNAP RING, .890625
		1	J			ER0	DGK		Input Shaft 57/64", .059" Thk.
17		1	J			ER0	DGK		Input Shaft 57/64", .059" Thk.
	4505 185	1	T			ER0	DGK		THRUST WASHER, Output Shaft,
		1	J			ER0	DGK		Gray .052
-18		1	T			ER0	DGK		Grey
	4505 186	1	J			ER0	DGK		THRUST WASHER, Output Shaft,
		1	T			ER0	DGK		Red .068
-19		1	T			ER0	DGK		THRUST WASHER, Output Shaft,
	4505 187	1	J			ER0	DGK		Green .083
20		1	T			ER0	DGK		SEAL, Rear Clutch Retainer
	4617 063	1	J			ER0	DGK		
21		1	T			ER0	DGK		THRUST WASHER, Front Clutch
	4617 786	1	J			ER0	DGK		
22		1	T			ER0	DGK		SEAL, Input Shaft
	1401 221	1	J			ER0	DGK		
23		1	T			ER0	DGK		INPUT SHAFT, Transmission
	4505 189	1	J			ER0	DGK		Input
24		1	T			ER0	DGK		Input
	4713 880	4	J			ER0	DGK		DISC, Clutch
		4	T			ER0	DGK		Rear Clutch
25		1	T			ER0	DGK		Rear Clutch
	4130 761	1	J			ER0	DGK		SNAP RING
-26		1	T			ER0	DGK		SNAP RING, Rear Clutch, .076

**GRAND CHEROKEE (ZJ)**  
 SERIES LINE BODY ENGINE TRANSMISSION  
 L = Low Line J = 4WD 74 = 4 Door ERH, ER0 = 4.0L Power Tech 6 Cyl. DGW = 4 Speed Auto. 44RE  
 ELF, EL0 = 5.2L V8 MPI DGK = 4 Speed Auto. 42RE  
 EML, EM0 = 5.9L V8 MPI DGT = 4 Speed Auto. 46RE  
 DG0 = All Speed Auto.

AR = Use as required - = Non illustrated part # = New this model year

July 31, 2002

Valve Body 42RE (DGK)  
Figure 42RE-710



ITEM	PART NUMBER	QTY	LINE	SERIES	BODY	ENGINE	TRANS	TRIM	DESCRIPTION
24									CLIP, Transmission Governor Transducer
	4617 219	1	T			ER0	DGK		Gov. Pressure Transducer Retaining
		1	J			ER0	DGK		Gov. Pressure Transducer Retaining
25									O RING, Pressure Switch Pressure Sensor, .369 I.D.
	6034 493	1	T			ER0	DGK		Pressure Sensor, .369 I.D.
		1	J			ER0	DGK		Pressure Sensor, .369 I.D.
26									GASKET, Transmission Solenoid Gov. Pressure Solenoid Body
	4617 216	1	T			ER0	DGK		Gov. Pressure Solenoid Body
		1	J			ER0	DGK		Gov. Pressure Solenoid Body
27									BODY, Governor, (Serviced in Assy.), (NOT SERVICED) (Not Serviced)
28									RETAINER, Transmission Governor Solenoid
	4617 211	1	T			ER0	DGK		Gov. Pressure Solenoid
		1	J			ER0	DGK		Gov. Pressure Solenoid
29									O RING PACKAGE, Valve Body, Transmission
	4723 549	1	J			ER0	DGK		Solenoid, .494 I.D., .873 I.D. ***
		1	T			ER0	DGK		Solenoid, .494 I.D., .873 I.D. ***
30									SOLENOID, Transmission Governor
	4617 210	1	T			ER0	DGK		Trans. Governor Pressure, 2 Prong Connector
		1	J			ER0	DGK		Trans. Governor Pressure, 2 Prong Connector
-31									SCREEN, Transmission Regulator Valve
	3878 313	1	T			ER0	DGK		Regulator Valve
		1	J			ER0	DGK		Regulator Valve
-32									SPRING, Limit Valve
	4348 907	1	T			ER0	DGK		Limit Valve
		1	J			ER0	DGK		Limit Valve

GRAND CHEROKEE (ZJ)

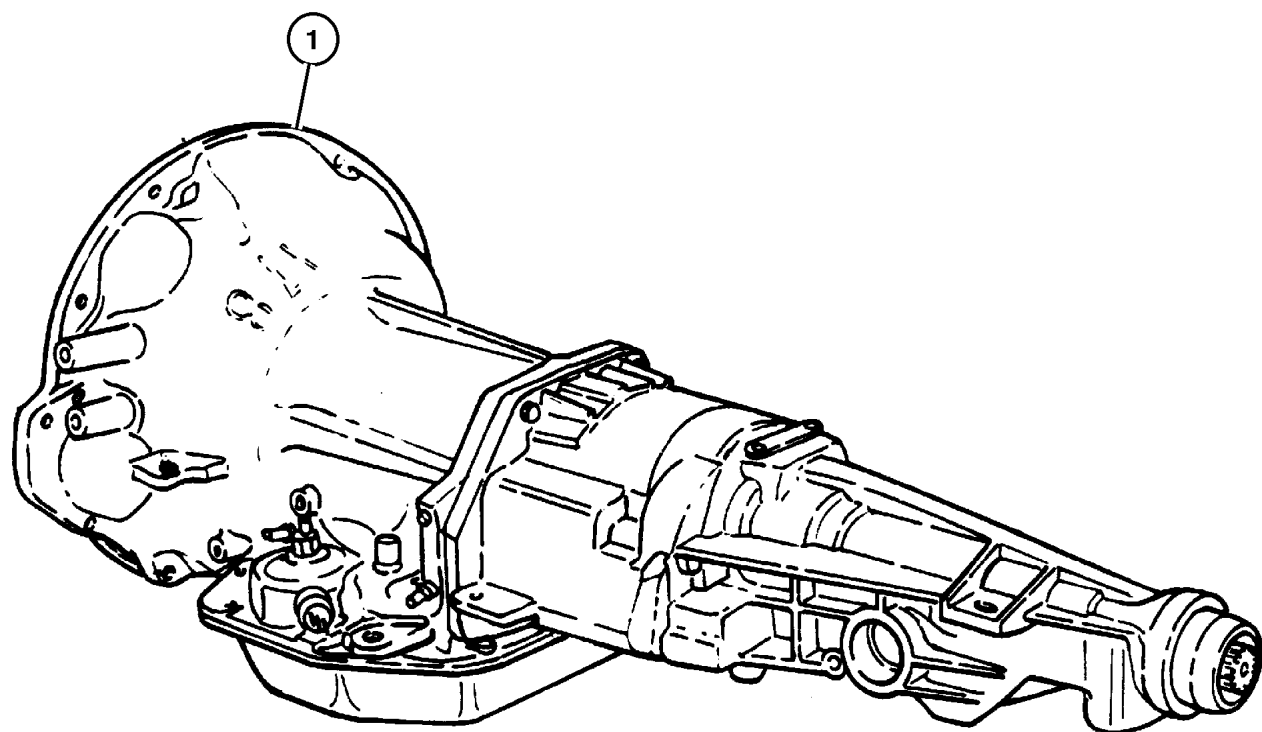
SERIES	LINE	BODY	ENGINE	TRANSMISSION
L = Low Line	J = 4WD T = 2WD	74 = 4 Door	ERH, ER0 = 4.0L Power Tech 6 Cyl. ELF, EL0 = 5.2L V8 MPI EML, EM0 = 5.9L V8 MPI	DGW = 4 Speed Auto. 44RE DGK = 4 Speed Auto. 42RE DGT = 4 Speed Auto. 46RE DG0 = All Speed Auto.

AR = Use as required - = Non illustrated part # = New this model year

July 31, 2002

Transmission  
Figure 44RE-110

ITEM	PART NUMBER	QTY	LINE	SERIES	BODY	ENGINE	TRANS	TRIM	DESCRIPTION
1									TRANSMISSION PACKAGE
	#5003 190AA	1	J			EL0	DGW		52119522 (Package Contains 52119522 Transmission, K4736599 Converter, K1949765 Screw)
	#5003 190AC	1	J			EL0	DGW		52119522AC (Package Contains 52119522AC Transmission, K4736599 Converter, K1949765 Screw)
	#5003 191AA	1	T			EL0	DGW		52119802AA(Package Contains 52119802AA Transmission, K4736599 Converter, K1949765 Screws.
-2									OVERDRIVE
	5211 8155	1	J			EL0	DGW		52119522
		1	J			EL0	DGW		52119522AC
	5211 8151	1	T			EL0	DGW		52119802AA

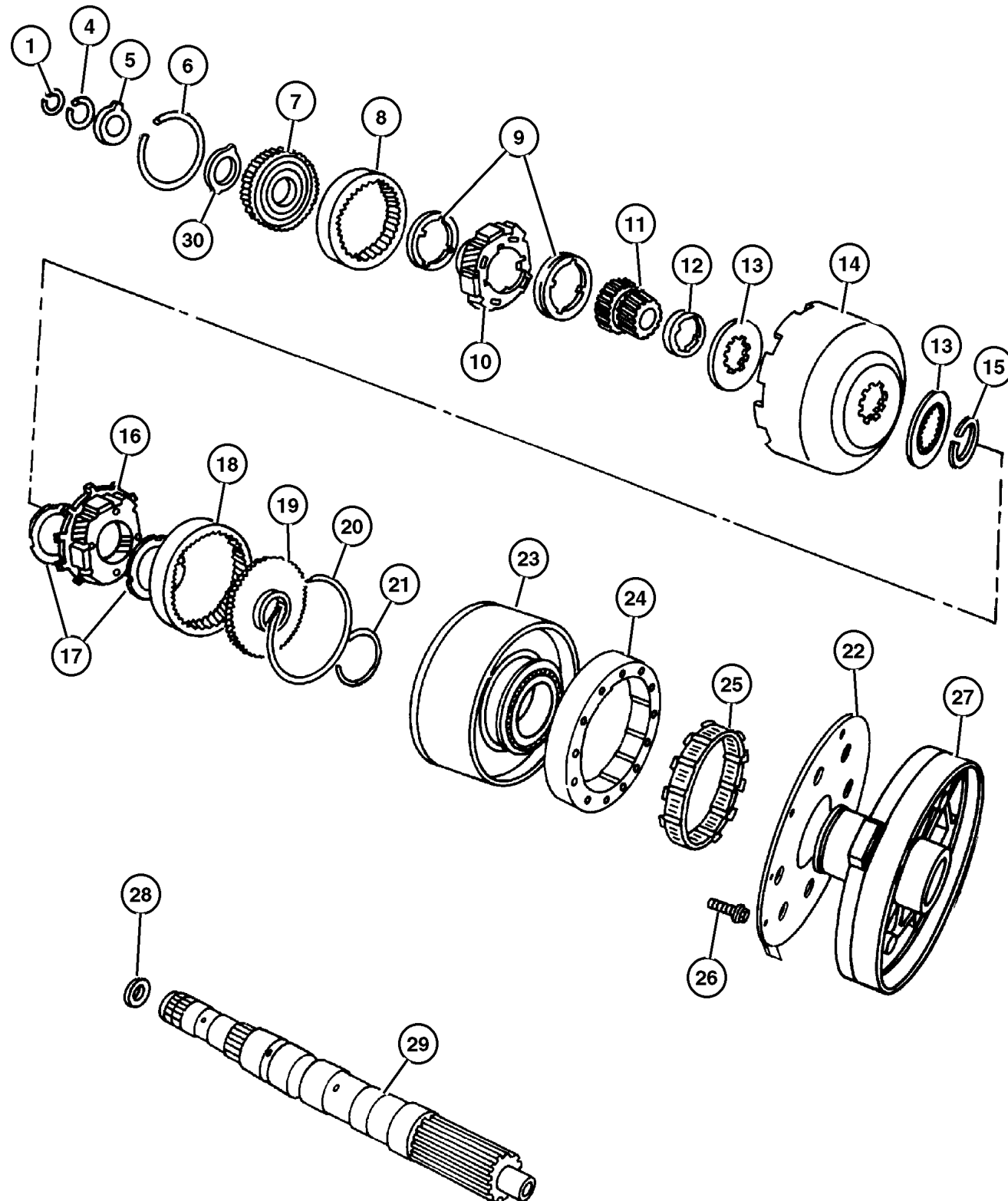


GRAND CHEROKEE (ZJ)  
 SERIES LINE BODY ENGINE TRANSMISSION  
 L = Low Line J = 4WD 74 = 4 Door ERH, ER0 = 4.0L Power Tech 6 Cyl. DGW = 4 Speed Auto. 44RE  
 ELF, EL0 = 5.2L V8 MPI DGK = 4 Speed Auto. 42RE  
 EML, EM0 = 5.9L V8 MPI DGT = 4 Speed Auto. 46RE  
 DG0 = All Speed Auto.

AR = Use as required - = Non illustrated part # = New this model year

July 31, 2002

**Gear Train 44RE (DGW)  
Figure 44RE-420**



ITEM	PART NUMBER	QTY	LINE	SERIES	BODY	ENGINE	TRANS	TRIM	DESCRIPTION
1									SNAP RING, .946 ID
	6026 289	1	J			EL0	DGW		52119522
		1	J			EL0	DGW		52119522 AC
		1	T			EL0	DGW		
-2									SNAP RING
	6030 938	1	J			EL0	DGW		52119522
		1	J			EL0	DGW		52119522 AC
-3									SNAP RING, Output Shaft, 1.029 OD
	6030 404	1	J			EL0	DGW		52119522
		1	J			EL0	DGW		52119522 AC
4									SNAP RING, Annulus Gear, 1.375 ID
	6030 576	1	J			EL0	DGW		52119522
		1	J			EL0	DGW		52119522 AC
5									THRUST WASHER, Annulus Gear
	3681 969	1	J			EL0	DGW		52119522
		1	J			EL0	DGW		52119522 AC
6									SNAP RING
	6035 238	1	J			EL0	DGW		52119522
		1	J			EL0	DGW		52119522 AC
7									SUPPORT, Annulus Gear
	4617 774	1	J			EL0	DGW		52119522
		1	J			EL0	DGW		52119522 AC
8									GEAR, Front Annulus
	4130 512	1	J			EL0	DGW		52119522
		1	J			EL0	DGW		52119522 AC
9									THRUST WASHER, Planetary Carrier
	4130 518	2	J			EL0	DGW		52119522
		2	J			EL0	DGW		52119522 AC
10									CARRIER, Planetary Pinion
	4431 438	1	J			EL0	DGW		562119522
		1	J			EL0	DGW		52119522AC
11									GEAR, Sun
	4130 685	1	J			EL0	DGW		52119522
		1	J			EL0	DGW		52119522 AC
12									SPACER, Sun Gear
	4130 736	1	J			EL0	DGW		52119522
		1	J			EL0	DGW		52119522 AC
13									PLATE, Transmission Module
	4471 566	2	J			EL0	DGW		52119522
		2	J			EL0	DGW		52119522 AC
14									SHELL, Sun Gear

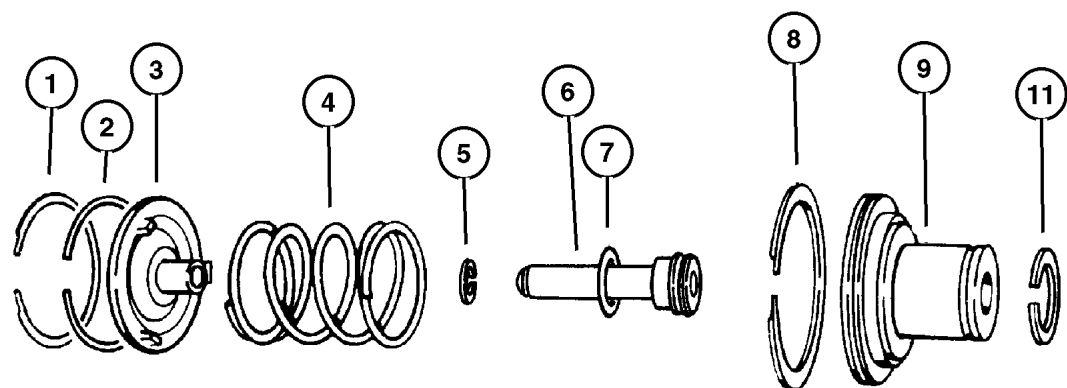
**GRAND CHEROKEE (ZJ)**

SERIES	LINE	BODY	ENGINE	TRANSMISSION
L = Low Line	J = 4WD T = 2WD	74 = 4 Door	ERH, ER0 = 4.0L Power Tech 6 Cyl. ELF, EL0 = 5.2L V8 MPI EML, EM0 = 5.9L V8 MPI	DGW = 4 Speed Auto. 44RE DGK = 4 Speed Auto. 42RE DGT = 4 Speed Auto. 46RE DG0 = All Speed Auto.

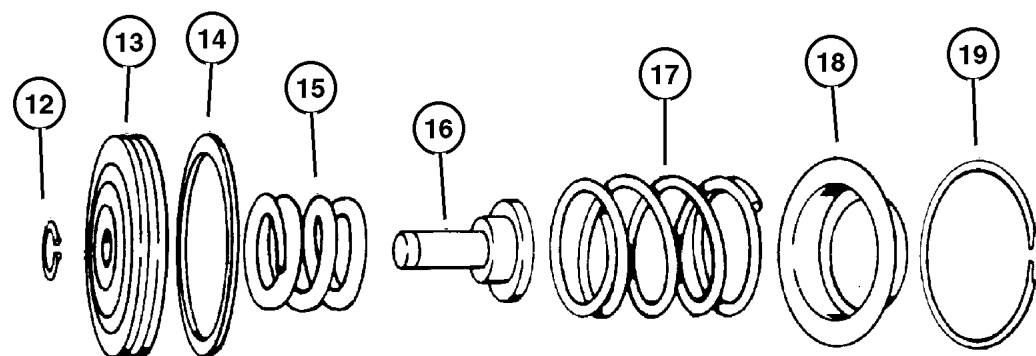
AR = Use as required - = Non illustrated part # = New this model year

July 31, 2002

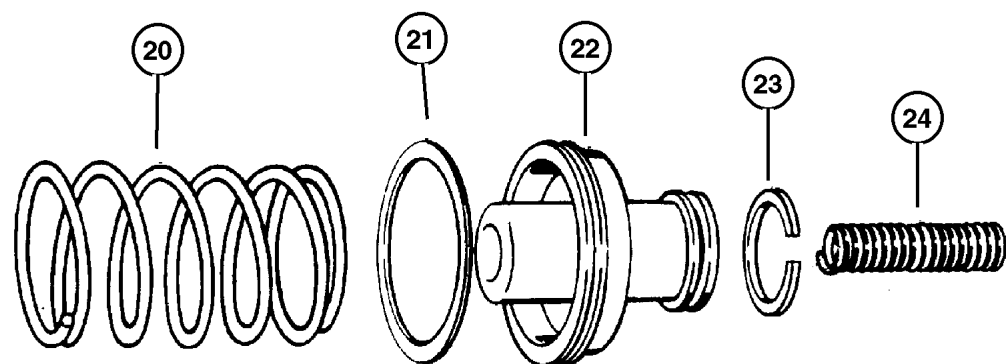
Servos 44RE (DGW)  
Figure 44RE-720



KICKDOWN SERVO



LOW AND REVERSE SERVO



ACCUMULATOR PISTON AND SPRING

ITEM	PART NUMBER	QTY	LINE	SERIES	BODY	ENGINE	TRANS	TRIM	DESCRIPTION
1	6028 863	1	J			EL0	DGW		SNAP RING, Kickdown, 2.377
			J			EL0	DGW		52119522
			T			EL0	DGW		52119522 AC
2	4295 966	1	J			EL0	DGW		SEAL, Servo Guide
			J			EL0	DGW		52119522
			T			EL0	DGW		52119522 AC
3	3410 332	1	J			EL0	DGW		GUIDE, Kickdown Servo
			J			EL0	DGW		52119522
			T			EL0	DGW		52119522 AC
4	4531 119	1	J			EL0	DGW		SPRING, Kickdown Servo Piston
			J			EL0	DGW		52119522
			T			EL0	DGW		52119522 AC
5	6031 392	1	J			EL0	DGW		SNAP RING, Brake Master Cylinder
			J			EL0	DGW		52119522
			T			EL0	DGW		52119522AC
6	4058 780	1	J			EL0	DGW		ROD, Kickdown Servo Piston
			J			EL0	DGW		52119522
			T			EL0	DGW		52119522 AC
7	6028 864	1	J			EL0	DGW		O RING, Kick Down Servo
			J			EL0	DGW		52119522
			T			EL0	DGW		52119522 AC
8	4295 966	1	J			EL0	DGW		SEAL, Servo Guide
			J			EL0	DGW		52119522
			T			EL0	DGW		52119522 AC
9	4058 777	1	J			EL0	DGW		PISTON, Kickdown Servo
			J			EL0	DGW		52119522
			T			EL0	DGW		52119522 AC
-10	6028 864	1	J			EL0	DGW		O RING, Kick Down Servo
			J			EL0	DGW		52119522
			T			EL0	DGW		52119522 AC
11	3743 033	1	J			EL0	DGW		SEAL, Kickdown Servo
									52119522

GRAND CHEROKEE (ZJ)

SERIES	LINE	BODY	ENGINE	TRANSMISSION
L = Low Line	J = 4WD T = 2WD	74 = 4 Door	ERH, ER0 = 4.0L Power Tech 6 Cyl. ELF, EL0 = 5.2L V8 MPI EML, EM0 = 5.9L V8 MPI	DGW = 4 Speed Auto. 44RE DGK = 4 Speed Auto. 42RE DGT = 4 Speed Auto. 46RE DG0 = All Speed Auto.

AR = Use as required - = Non illustrated part # = New this model year

July 31, 2002

# Group – 46RE

## Automatic Transmission 4 Speed

### GROUP 46RE - Automatic Transmission 4 Speed

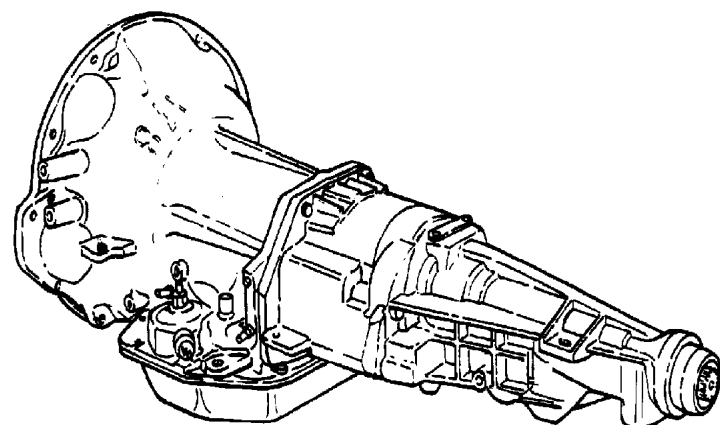


Illustration Title

Group-Fig. No.

#### Transmission Assembly

Transmission 46RE DGT ..... Fig. 46RE-110

#### Case and Extension

Case and Related Parts 46RE DGT ..... Fig. 46RE-210

Adapter 46RE DGT ..... Fig. 46RE-220

#### Oil Pump

Pump, Oil with Reaction Shaft ..... Fig. 46RE-310

#### Gear Train

Clutch, Front and Rear with Gear Train 46RE DGT ..... Fig. 46RE-410

Gear Train and Intermediate Shaft 46RE DGT ..... Fig. 46RE-420

Output Shaft 46RE DGT ..... Fig. 46RE-430

#### Bands, Reverse and Kickdown

Bands, Reverse and Kickdown with Linkage 46RE DGT ..... Fig. 46RE-510

#### Valve Body

Valve Body 46RE DGT ..... Fig. 46RE-710

Servos, Accumulator Piston and Spring 46RE DGT ..... Fig. 46RE-720

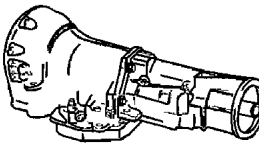
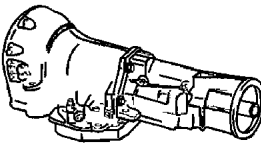

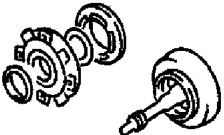
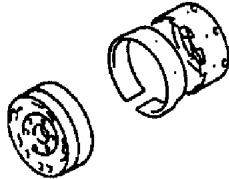
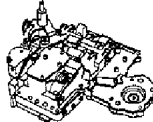
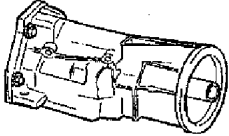
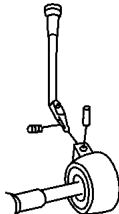
Parking Sprag 46RE DGT ..... Fig. 46RE-730

#### Overdrive Gear Train

Clutch, Overdrive with Gear Train 46RE DGT ..... Fig. 46RE-1010

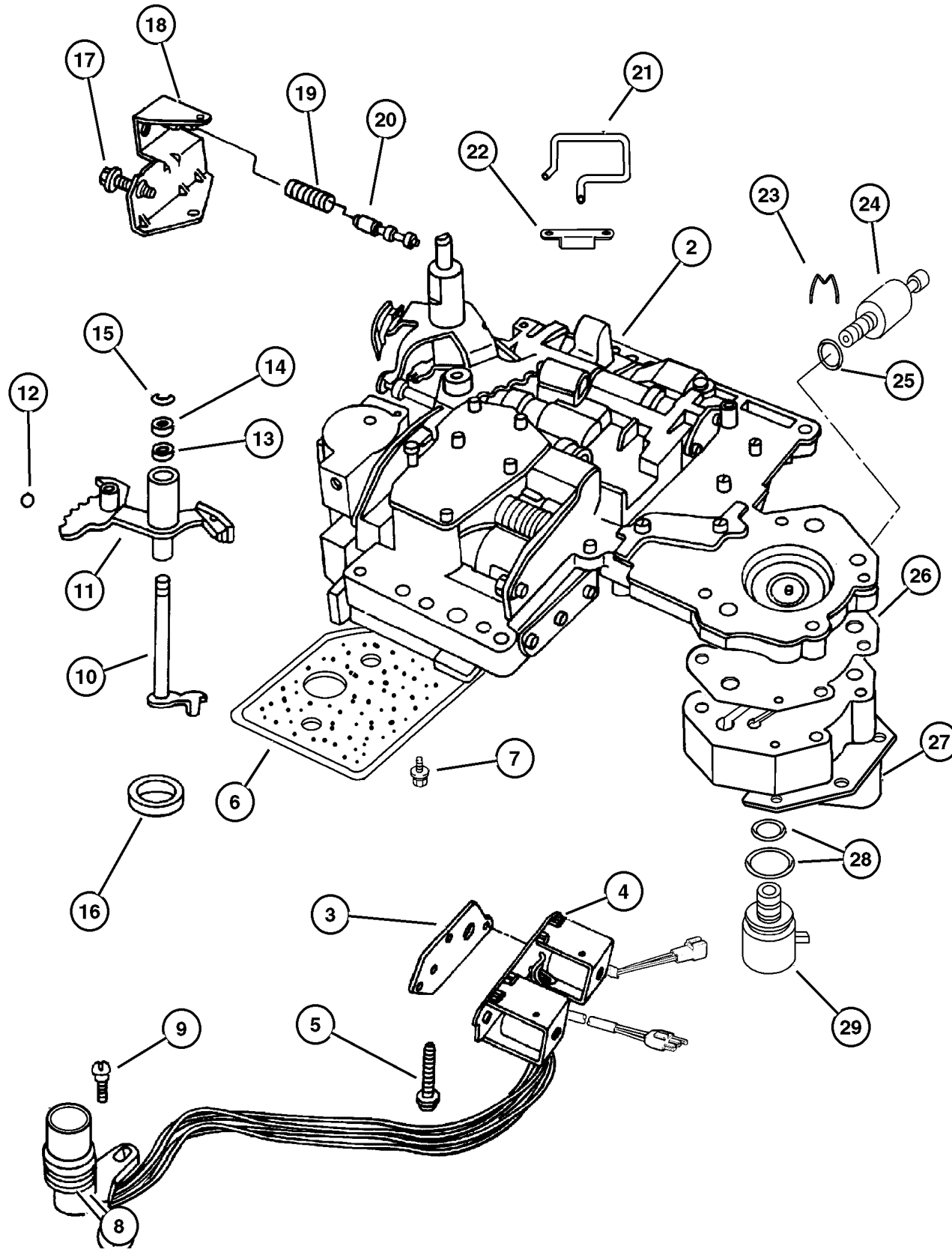
#### Gearshift Controls

Controls, Gearshift, Floor Mounted, Automatic Transmission, 4 Speed, 46RE ..... Fig. 46RE-1210

<p><b>46RE-100</b> Transmission Assembly</p> 	<p><b>46RE-200</b> Case and Extension</p> 	<p><b>46RE-300</b> Oil Pump</p> 	<p><b>46RE-400</b> Gear Train</p> 
<p><b>46RE-500</b> Bands, Reverse and Kickdown</p> 	<p><b>46RE-700</b> Valve Body</p> 	<p><b>46RE-1000</b> Overdrive Gear Train</p> 	<p><b>46RE-1200</b> Gearshift Controls</p> 

Valve Body 46RE DGT  
Figure 46RE-710

ITEM	PART NUMBER	QTY	LINE	SERIES	BODY	ENGINE	TRANS	TRIM	DESCRIPTION
-1	4863 892	1	J			EM0	DGT		SEAL AND GASKET PACKAGE, Valve Body and Servo
2	5211 8793	1	J			EM0	DGT		VALVE BODY ASSEMBLY, with Lock-up Valve
3	4886 333AA	1	J			EM0	DGT		GASKET PACKAGE, Transmission Solenoid
4	4798 221	1	J			EM0	DGT		SOLENOID, Transmission Overdrive
5	0181 071	3	J			EM0	DGT		BOLT, Valve Body, .25-20x1.75
6	#5211 8789	1	J			EM0	DGT		FILTER, Valve Body
7	6033 826	3	J			EM0	DGT		SCREW AND WASHER, Oil Filter Mounting, Fillester Head .190-24x2.500
8	6034 748	2	J			EM0	DGT		O RING, Solenoid Wiring, Transmission
9	6033 985	1	J			EM0	DGT		SCREW, Tapping, .19-24x.75
10	3681 227	1	J			EM0	DGT		LEVER, Throttle Valve
11	4617 439	1	J			EM0	DGT		LEVER, Manual Valve, with Insulator
12	0147 488	1	J			EM0	DGT		BALL, Manual Lever Detent, .343 Diameter
13	2466 548	1	J			EM0	DGT		SEAL, Valve Lever Shift, 5/8" O.D.
14	2538 062	1	J			EM0	DGT		WASHER, Manual Valve Lever
15	6035 208	1	J			EM0	DGT		SNAP RING
16	4505 098	1	J			EM0	DGT		SEAL, Manual Shift Valve, 1.25 OD
17	6030 609	1	J			EM0	DGT		SCREW, Cap Head Lock, .312-24x1.25
18	4617 010	1	J			EM0	DGT		BRACKET, Valve Body Switch
19	4130 492	1	J			EM0	DGT		SPRING, Switch Valve
20	4505 036	1	J			EM0	DGT		VALVE, Trans Lockup Switch
21	4617 008	1	J			EM0	DGT		TUBE, Boost Valve
22	5211 7958	1	J			EM0	DGT		RETAINER, Boost Valve Oil Supply Tube
23	4617 219	1	J			EM0	DGT		CLIP, Transmission Governor Transducer
24	5602 7720	1	J			EM0	DGT		TRANSDUCER, Pressure Sensor, 4 Prong Connector
25	6034 493	1	J			EM0	DGT		O RING, Pressure Switch, .369 I.D.
26	4617 216	1	J			EM0	DGT		GASKET, Transmission Solenoid
27	4617 211	1	J			EM0	DGT		RETAINER, Transmission Governor Solenoid
28	4723 549	1	J			EM0	DGT		O RING PACKAGE, Valve Body, Transmission, .494 I.D./.873 I.D.
29	4617 210	1	J			EM0	DGT		SOLENOID, Transmission Governor, 2 Prong Connector



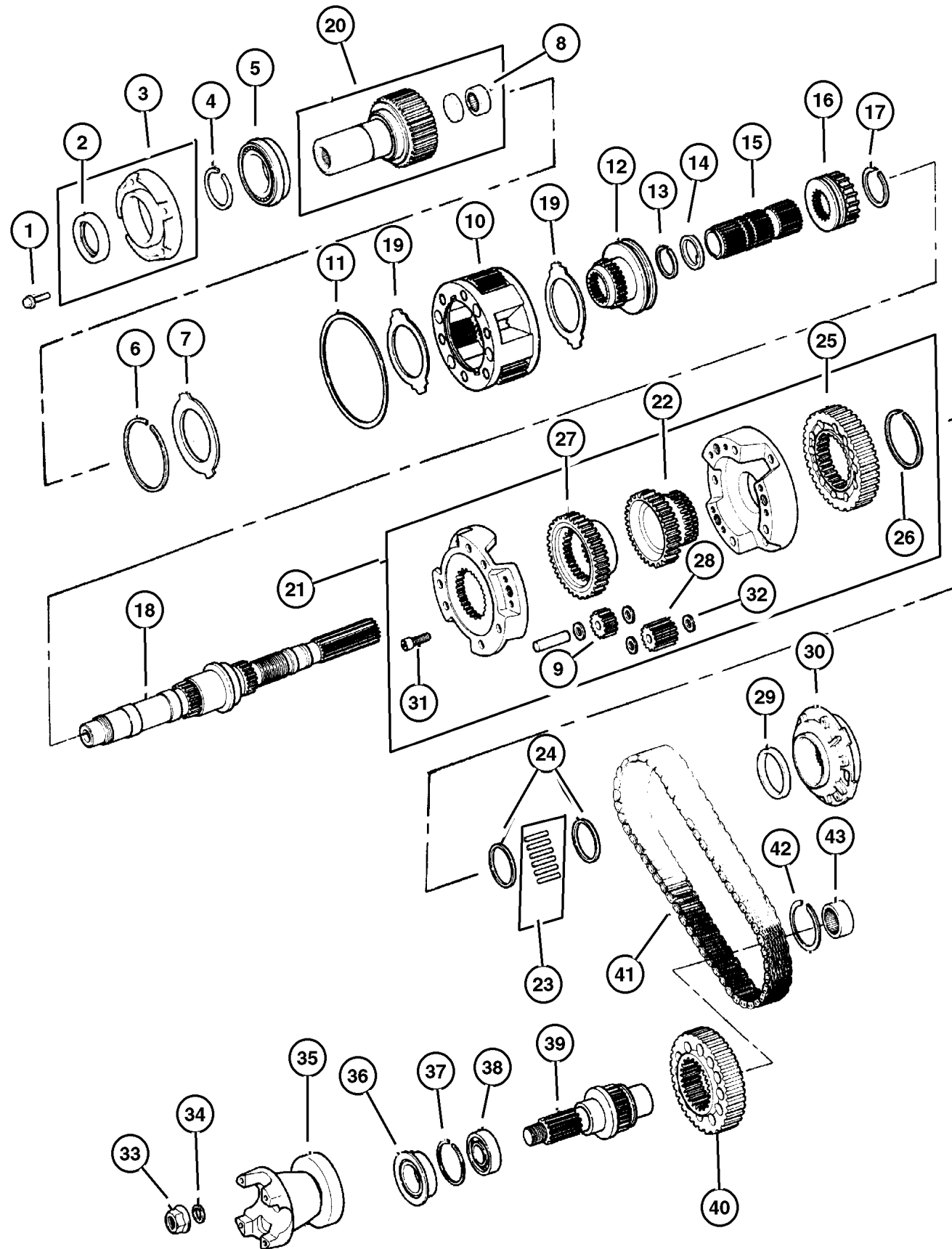
GRAND CHEROKEE (ZJ)

SERIES	LINE	BODY	ENGINE	TRANSMISSION
L = Low Line	J = 4WD T = 2WD	74 = 4 Door	ERH, ER0 = 4.0L Power Tech 6 Cyl. ELF, EL0 = 5.2L V8 MPI EML, EM0 = 5.9L V8 MPI	DGW = 4 Speed Auto. 44RE DGK = 4 Speed Auto. 42RE DGT = 4 Speed Auto. 46RE DG0 = All Speed Auto.

AR = Use as required - = Non illustrated part # = New this model year

July 31, 2002

**Gear Train 242(DHP)  
Figure 242-410**



ITEM	PART NUMBER	QTY	LINE	SERIES	BODY	ENGINE	TRANS	TRIM	DESCRIPTION
1	6500 318	4	J			ER0	DG0		BOLT
2	4167 929	1	J			ER0	DG0		SEAL, Input Gear
3	4338 973	1	J			ER0	DG0		RETAINER
4	3821 558	1	J			ER0	DG0		SNAP RING
5	4746 155	1	J			ER0	DG0		BEARING, Input Gear
6	4338 910	1	J			ER0	DG0		SNAP RING
7	4338 909	1	J			ER0	DG0		RING
8	8350 3507	1	J			ER0	DG0		BEARING, Input Shaft
9	8350 4170	3	J			ER0	DG0		GEAR, Planetary, Narrow (Also serviced in item#21)
10	4796 903	1	J			ER0	DG0		PLANETARY, Transfer Case
11	4219 065	1	J			ER0	DG0		SNAP RING, Annulus Gear
12	4798 279	1	J			ER0	DG0		SLEEVE, Shift Range
13	8350 3540	1	J			ER0	DG0		SNAP RING
14	8350 3539	1	J			ER0	DG0		WASHER, Intermediate Sleeve
15	4798 277	1	J			ER0	DG0		SHAFT, Intermediate
16	8350 3542	1	J			ER0	DG0		SLEEVE, Mode Synchronizer
17	8350 3537	1	J			ER0	DG0		SNAP RING
18	4798 145	1	J			ER0	DG0		MAINSHAFT, Transfer Case
19	4338 908	2	J			ER0	DG0		THRUST WASHER, Planetary Carrier
20	4798 126	1	J			ER0	DG0		GEAR, Input
21	8350 3529	1	J			ER0	DG0		CARRIER, Differential
22	8350 3530	1	J			ER0	DG0		SPROCKET, Transfer Case
23	8350 3543	1	J			ER0	DG0		BEARING PACKAGE, Transfer Case
24	8350 3533	2	J			ER0	DG0		SPACER, Sprocket
25	8350 3531	1	J			ER0	DG0		SPROCKET, Transfer Case
26	8350 3532	1	J			ER0	DG0		SNAP RING, Retaining
27	8350 3536	1	J			ER0	DG0		SPROCKET, Differential
28	8350 4169	3	J			ER0	DG0		GEAR, Planetary, Wide
29	4210 603	1	J			ER0	DG0		SEAL, Main Shaft
30	4338 936	1	J			ER0	DG0		PUMP, Transfer Case Oil
31	3820 898	3	J			ER0	DG0		SCREW, Also serviced in item# 21
32	8350 4168	12	J			ER0	DG0		WASHER, Differential Gear, Also serviced in item# 21
33	4167 924	1	J			ER0	DG0		NUT, Transfer Case Yoke
34	4210 973	1	J			ER0	DG0		WASHER, Transfer Case Yoke, Rubber
35	4798 138	1	J			ER0	DG0		YOKE, Transfer Case, Transfer Case Front
36	4798 125	1	J			ER0	DG0		SEAL, Output Shaft
37	0893 31A	1	J			ER0	DG0		SNAP RING, Snap Bearing Front

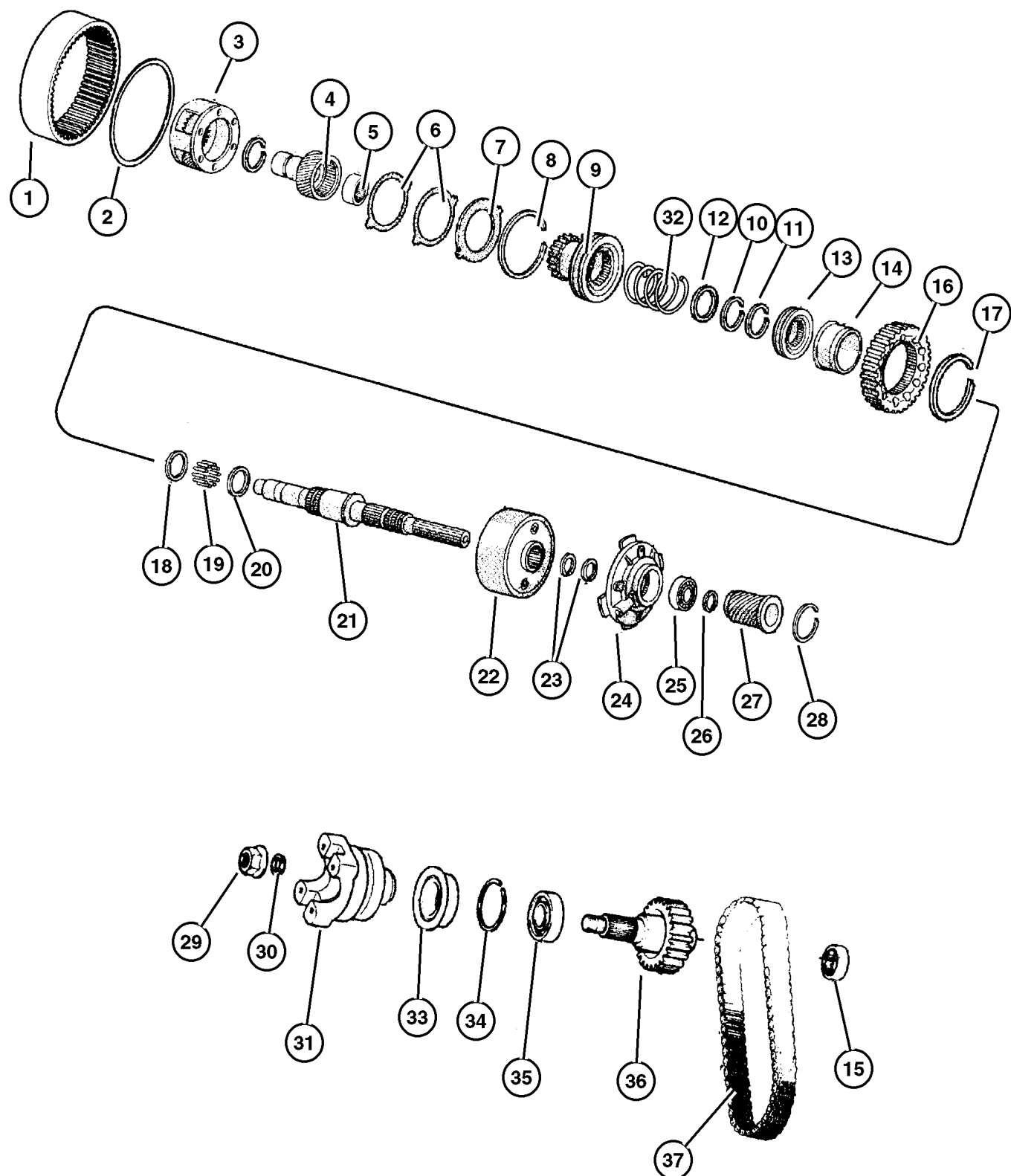
**GRAND CHEROKEE (ZJ)**

SERIES	LINE	BODY	ENGINE	TRANSMISSION
L = Low Line	J = 4WD T = 2WD	74 = 4 Door	ERH, ER0 = 4.0L Power Tech 6 Cyl. ELF, EL0 = 5.2L V8 MPI EML, EM0 = 5.9L V8 MPI	DGW = 4 Speed Auto. 44RE DGK = 4 Speed Auto. 42RE DGT = 4 Speed Auto. 46RE DG0 = All Speed Auto.

AR = Use as required - = Non illustrated part # = New this model year

July 31, 2002

**Gear Train 249 (DHR)  
Figure 249-410**



ITEM	PART NUMBER	QTY	LINE	SERIES	BODY	ENGINE	TRANS	TRIM	DESCRIPTION
1									CAMS Unknown, GEAR, Annulus ( Order Front Case) ***, (NOT SERVICED) (Not Serviced)
2	4219 065	1	J			EL0, ER0	DG0		SNAP RING, Annulus Gear
3	4796 903	1	J			EM0	DG0		PLANETARY, Transfer Case
4	4798 126	1	J			EL0, ER0	DG0		GEAR, Input
5	8350 3507	1	J			EM0	DG0		BEARING, Input Shaft
6	4338 908	1	J			EL0, ER0	DG0		THRUST WASHER, Planetary Carrier
7	4338 909	2	J			EM0	DG0		RING
8	4338 910	1	J			EL0, ER0	DG0		SNAP RING
9	4798 132	AR	J			EM0	DG0		SLEEVE, Shift Range
10	4338 910	1	J			EL0, ER0	DG0		SNAP RING
11		1	J			EM0	DG0		SNAP RING

**GRAND CHEROKEE (ZJ)**

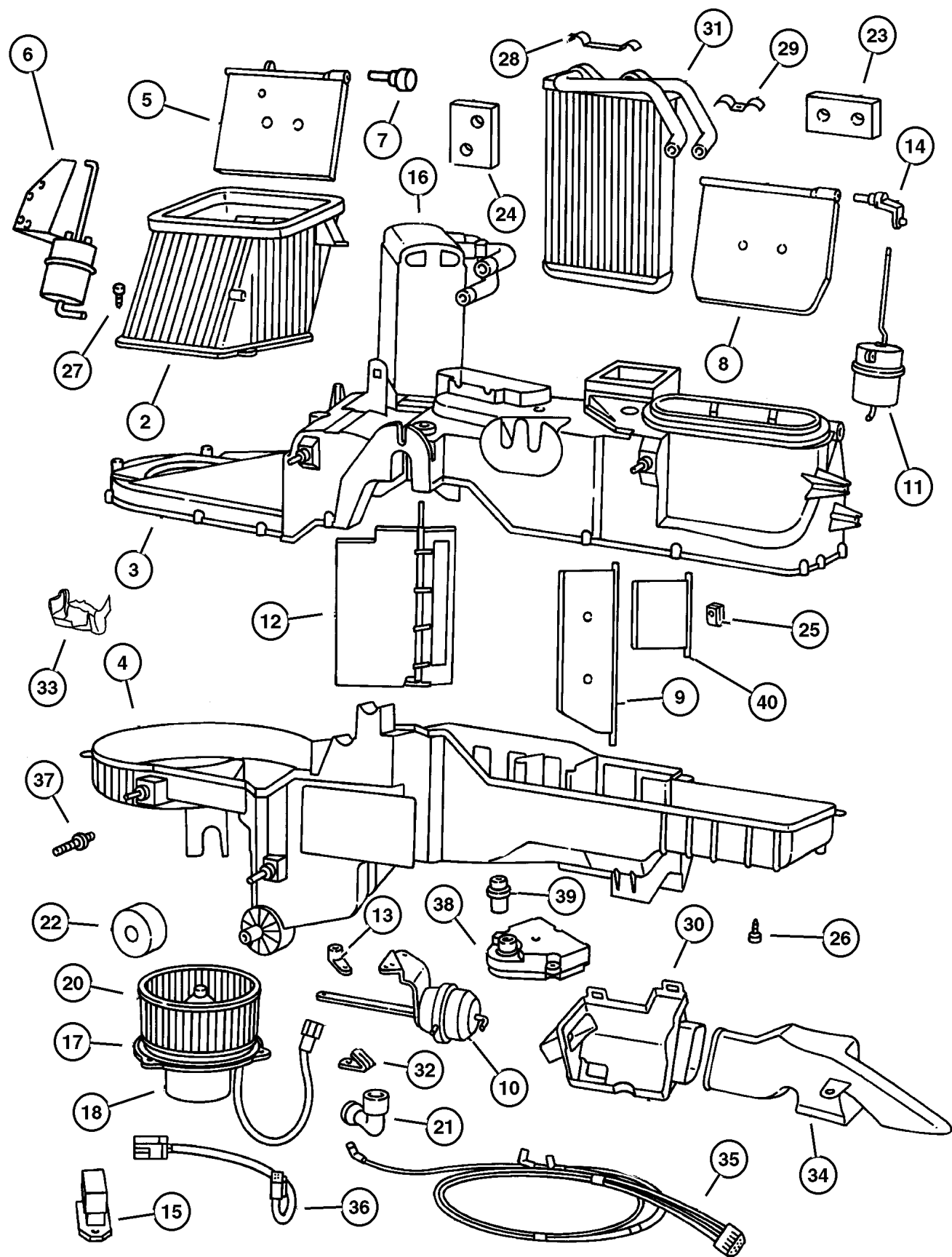
SERIES	LINE	BODY	ENGINE	TRANSMISSION
L = Low Line	J = 4WD T = 2WD	74 = 4 Door	ERH, ER0 = 4.0L Power Tech 6 Cyl. ELF, EL0 = 5.2L V8 MPI EML, EM0 = 5.9L V8 MPI	DGW = 4 Speed Auto. 44RE DGK = 4 Speed Auto. 42RE DGT = 4 Speed Auto. 46RE DG0 = All Speed Auto.

AR = Use as required - = Non illustrated part # = New this model year

July 31, 2002



## Air Conditioning Unit Figure 024-160



ITEM	PART NUMBER	QTY	LINE	SERIES	BODY	ENGINE	TRANS	TRIM	DESCRIPTION
-1	5511 6000	1							LABEL, Refrigerant, Refrigerant Charge
2	4886 383AA	1							HOUSING, Air Recirculating
3	4778 422	1							HOUSING, A/C Upper, Upper
4	4778 424	1							HOUSING, A/C Lower, Lower
5	4720 026	1							DOOR, Fresh Air, Fresh Air
6	4886 070AA	1							ACTUATOR, Fresh Air Door, Fresh Air Door
7	4720 029	1							CLIP, Fresh Air Door
8	4720 023	1							DOOR, Vent
9	4778 420	1							DOOR, Floor Defroster Duct
10	4778 426	1							ACTUATOR, Heater, Floor Duct
11	4720 279	1							ACTUATOR, Heater, Vent/Defrost
12	4746 211	1							DOOR, A/C Temperature
13	4720 347	1							LEVER, A/C Floor Door Duct, Floor Duct Door
14	4720 348	1							LEVER, A/C Vent Defrost Door, Vent/Defrost Door
15	4720 278	1							RESISTOR, Blower Motor, Blower Motor
16	#5012 534AA	1							EVAPORATOR PACKAGE, Air Conditioning
17	4720 039	1							SEAL, Blower Motor
18	4778 417	4							MOTOR, Blower
-19	4720 007	1							SCREW, Blower Motor
20	4720 009	1							BLOWER
21	5210 066	1							TUBE, A/C Motor Cooling
22	4720 037	1							SEAL, Evaporator Drain
23	4720 033	1							SEAL, Heater Tubes
24	4720 034	1							SEAL, Evaporator Tubes
25	4720 045	1							U-NUT, Implement Mounting
26	4720 533	1							SCREW, Heater Housing
27	4720 534	1							SCREW, Pan Head
28	4720 555	1							CLAMP, Heater Core
29	4720 028	1							CLIP, Heater Core
30	4720 010	1							DUCT, A/C And Heater
31	4720 008	1							CORE, Heater
32	4720 028	1							CLIP, Heater Core
33	4778 415	4							INSULATOR, Air Conditioning
34	4720 560	1							DUCT, Air Outlet
35	4720 350	1							HARNES, A/C And Heater Vacuum, Vacuum
36	4883 172	1							WIRING, Heater and A/C, Wiring

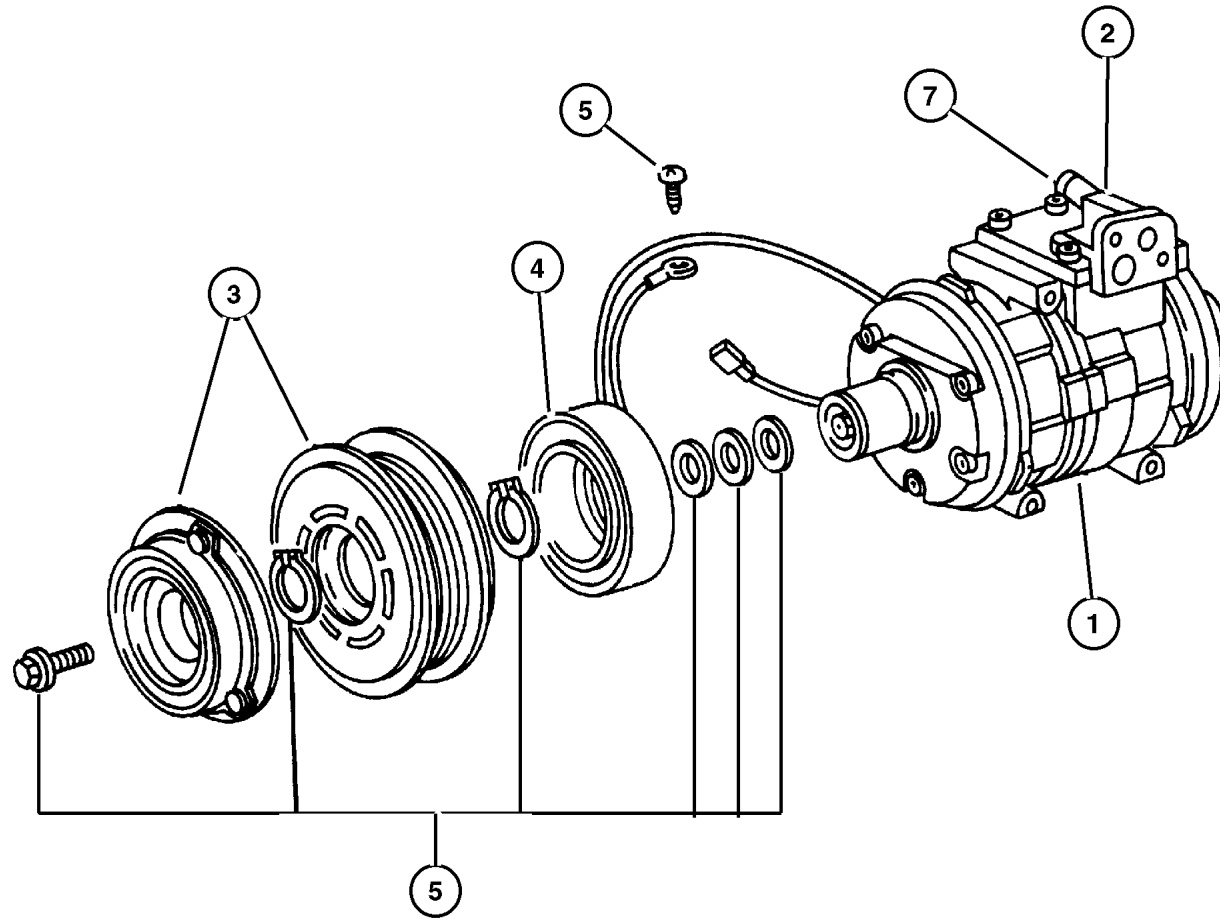
**GRAND CHEROKEE (ZJ)**

SERIES	LINE	BODY	ENGINE	TRANSMISSION
L = Low Line	J = 4WD T = 2WD	74 = 4 Door	ERH, ER0 = 4.0L Power Tech 6 Cyl. ELF, EL0 = 5.2L V8 MPI EML, EM0 = 5.9L V8 MPI	DGW = 4 Speed Auto. 44RE DGK = 4 Speed Auto. 42RE DGT = 4 Speed Auto. 46RE DG0 = All Speed Auto.

AR = Use as required - = Non illustrated part # = New this model year

July 31, 2002

**Compressor, Air Conditioning  
Figure 024-420**



ITEM	PART NUMBER	QTY	LINE	SERIES	BODY	ENGINE	TRANS	TRIM	DESCRIPTION
1									COMPRESSOR, Air Conditioning
	#5511 6190	1				ER0			
	#5511 6188	1				EL0, EM0			
2									MANIFOLD, Compressor
	4761 702	1				ER0			
	4740 682	1				EL0, EM0			
3									PULLEY HUB KIT, A/C Compressor
	4720 834	1				ER0			
	4740 683	1				EL0, EM0			
4									COIL, Air Conditioning Clutch
	#5003 681AA	1				ER0			
		1				EL0, EM0			
5									CLUTCH, A/C Compressor
	4720 835	1				ER0			
		1				EL0, EM0			
-6									SNAP RING KIT, A/C Clutch
	5264 454	1				ER0			
		1				EL0, EM0			
7									VALVE, High Pressure Relief
	4720 848	1				ER0			
		1				EL0, EM0			
-8									O RING, Air Conditioning Compressor, 04740685
	4740 685	1				ER0			
		1				EL0, EM0			

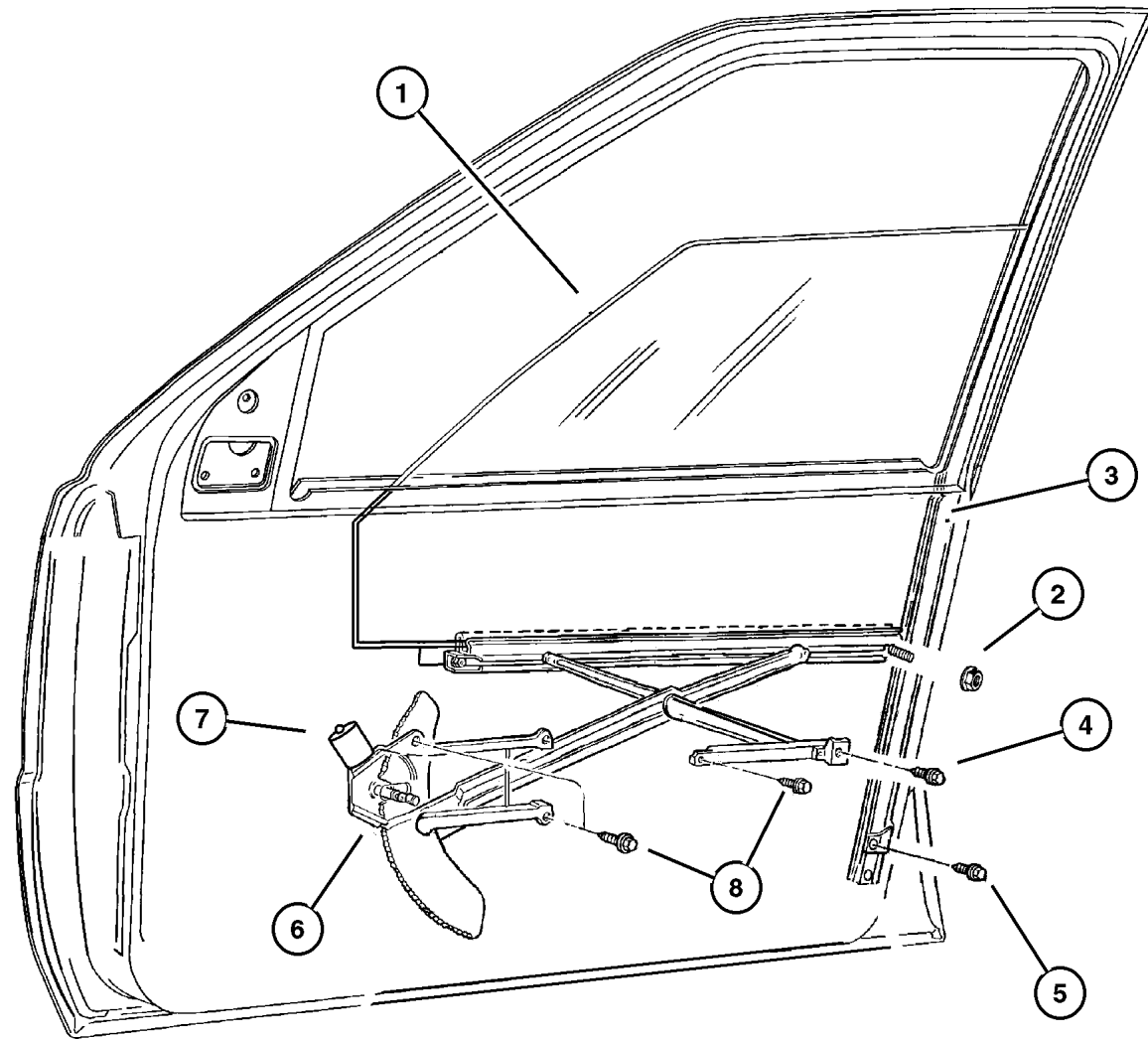
**GRAND CHEROKEE (ZJ)**

SERIES	LINE	BODY	ENGINE	TRANSMISSION
L = Low Line	J = 4WD T = 2WD	74 = 4 Door	ERH, ER0 = 4.0L Power Tech 6 Cyl. ELF, EL0 = 5.2L V8 MPI EML, EM0 = 5.9L V8 MPI	DGW = 4 Speed Auto. 44RE DGK = 4 Speed Auto. 42RE DGT = 4 Speed Auto. 46RE DG0 = All Speed Auto.

AR = Use as required - = Non illustrated part # = New this model year

July 31, 2002

**Door, Front Glass and Regulators**  
**Figure DZJ-120**



ITEM	PART NUMBER	QTY	LINE	SERIES	BODY	ENGINE	TRANS	TRIM	DESCRIPTION
1									GLASS, Front Door
	5525 5926	1							Right
	5525 5927	1							Left
2	6502 691	3							NUT, Hex Flange Lock, M6x1
3									CHANNEL, Front Door Glass Lower
	5507 6244	1							w/Weatherstrip, Right
	5507 6245	1							w/Weatherstrip, Left
4									SCREW, (NOT SERVICED) (Not Serviced)
5									SCREW, (NOT SERVICED) (Not Serviced)
6									REGULATOR, Front Door Window
	4798 378AB	1							Right
	4798 379AB	1							Left
7									MOTOR, Window Regulator
	5600 5164	1							Right
	5600 5165	1							Left
8									SCREW, (NOT SERVICED) (Not Serviced)

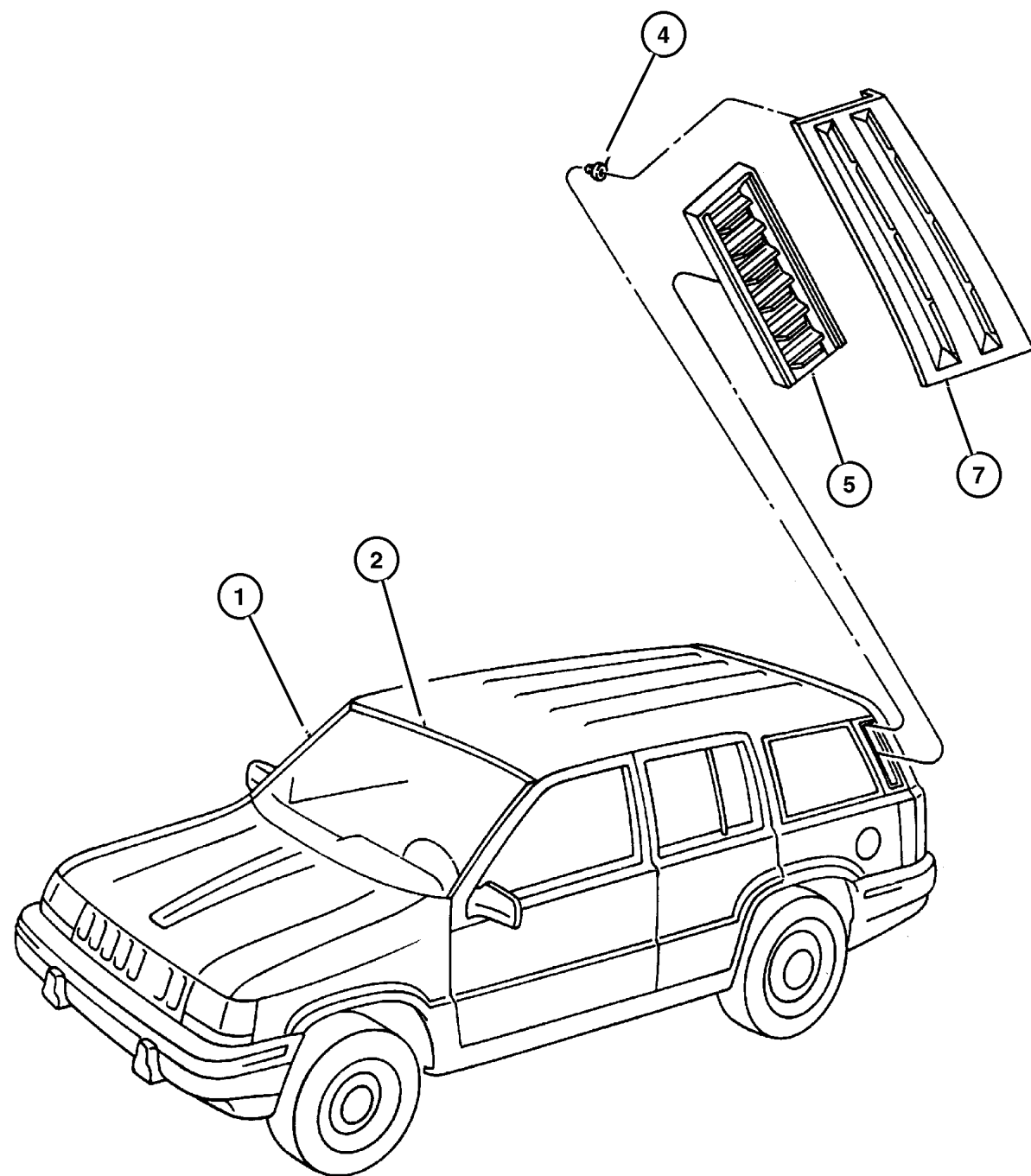
**GRAND CHEROKEE (ZJ)**

SERIES	LINE	BODY	ENGINE	TRANSMISSION
L = Low Line	J = 4WD T = 2WD	74 = 4 Door	ERH, ER0 = 4.0L Power Tech 6 Cyl. ELF, EL0 = 5.2L V8 MPI EML, EM0 = 5.9L V8 MPI	DGW = 4 Speed Auto. 44RE DGK = 4 Speed Auto. 42RE DGT = 4 Speed Auto. 46RE DG0 = All Speed Auto.

AR = Use as required - = Non illustrated part # = New this model year

July 31, 2002

## Moldings, Upper Figure EZJ-250



ITEM	PART NUMBER	QTY	LINE	SERIES	BODY	ENGINE	TRANS	TRIM	DESCRIPTION
1									MOLDING, Windshield Reveal
	5503 0364	1							Side, Right
	5503 0365	1							Side, Left
2	5513 4847	1							MOLDING, Windshield, Upper
-3	6033 605	8							SCREW, Tapping, .164-18x.437, Windshield Moulding
4	6004 512	6							CLIP, D Pillar Exhauster
5	5503 6049	2							EXHAUSTER, Quarter Panel
-6	5507 4988	2							HOSE, Sunroof Drain
7									APPLIQUE, D Pillar
	5FK7 1SEG	1							Rosewood, Left
	5FK7 2SEG	1							Rosewood, Right
	5FK7 2SFA	1							Driftwood, Right
	5FK7 2SG8	1							Forest Green, Right
	5FK7 2SJ7	1							Moss Green, Right
	5FK7 2SR4	1							Red, Right
	5FK7 2SW1	1							White, Right
	5FK7 2SX8	1							Black, Right
	5FK7 2TS4	1							Deep Slate, Right
	5FK7 2VAW	1							Bright Platinum, Right
	5FK7 1SFA	1							Driftwood, Left
	5FK7 1SG8	1							Forest Green, Left
	5FK7 1SJ7	1							Chargold, Left
	5FK7 1SR4	1							Red, Left
	5FK7 1SW1	1							White, Left
	5FK7 1SX8	1							Black, Left
	5FK7 1VAW	1							Deep Slate, Left
	5FK7 1TS4	1							Bright Platinum, Left

### GRAND CHEROKEE (ZJ)

SERIES	LINE	BODY	ENGINE	TRANSMISSION
L = Low Line	J = 4WD T = 2WD	74 = 4 Door	ERH, ER0 = 4.0L Power Tech 6 Cyl. ELF, EL0 = 5.2L V8 MPI EML, EM0 = 5.9L V8 MPI	DGW = 4 Speed Auto. 44RE DGK = 4 Speed Auto. 42RE DGT = 4 Speed Auto. 46RE DG0 = All Speed Auto.

AR = Use as required - = Non illustrated part # = New this model year

July 31, 2002

## Interior Trim Panels And Garnish Mouldings Figure IZJ-210

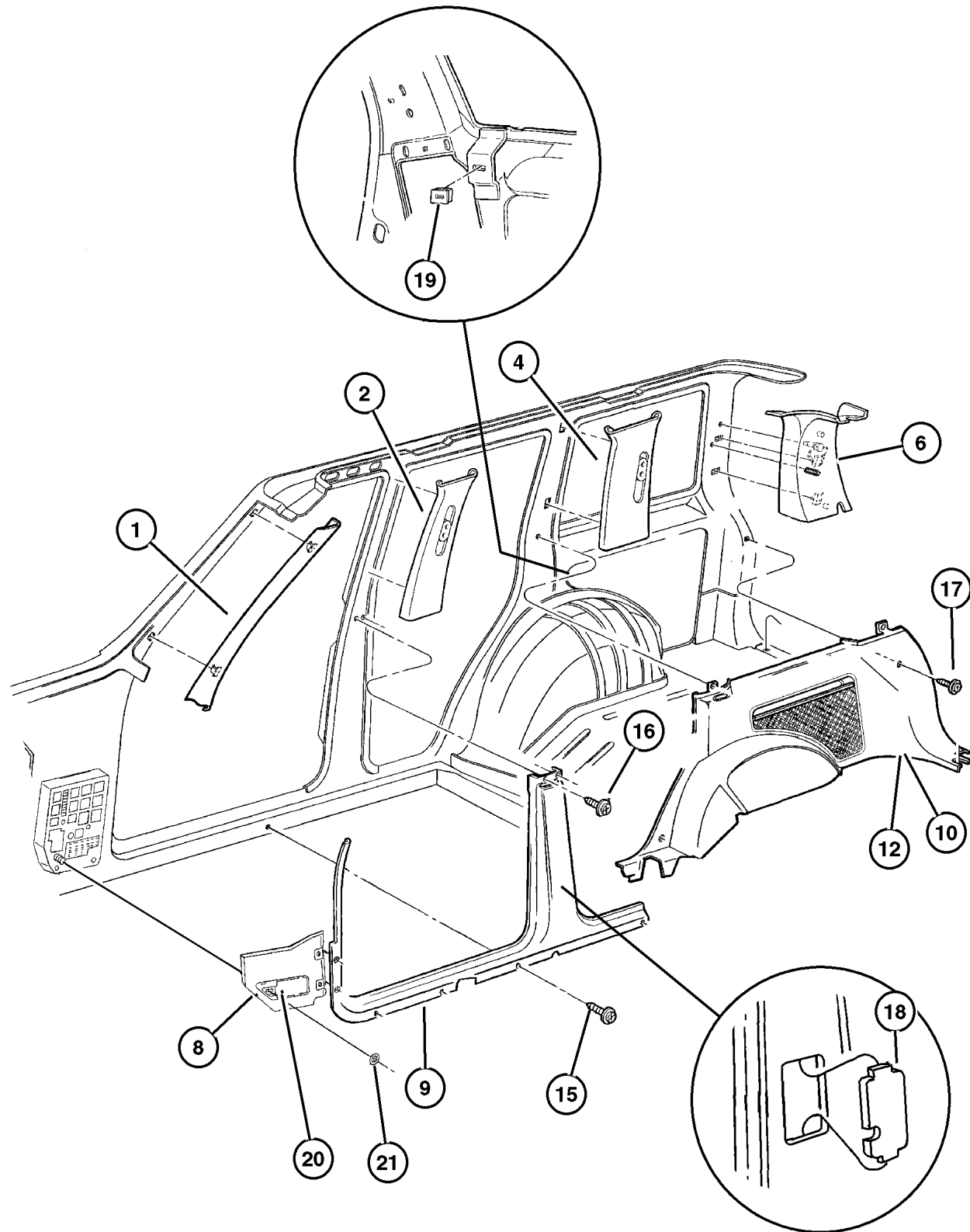
ITEM	PART NUMBER	QTY	LINE	SERIES	BODY	ENGINE	TRANS	TRIM	DESCRIPTION
	QQ31 SAZ	1							[AZ], Right
	QQ31 SC3	1							[C3], Right
	QQ31 ST6	1							[T6], Right
	QQ33 SAZ	1							[AZ], Left
	QQ33 SC3	1							[C3], Left
	QQ33 ST6	1							[T6], Left
9									PANEL, B Pillar Lower Trim
	5FM2 4SAZ	1							[AZ], Right
	5FM2 4SC3	1							[C3], Right
	5FM2 4ST6	1							[T6], Right
	5FM2 5SAZ	1							[AZ], Left
	5FM2 5SC3	1							[C3], Left
	5FM2 5ST6	1							[T6], Left
10									PANEL, Quarter Trim, Includes Carpet, Seatbelt Stowage Retainer, Cargo Cover Mounting Brackets and Insulation
	5FN8 1LAZ	1							[AZ], Left
	5FN8 1RC3	1							[C3], Left
	5FN8 11T9	1							[T6], Left
-11									DOOR, Fuel Fill
	5FB5 2SAZ	1							[AZ]
	5FB5 2SC3	1							[C3]
	5FB5 2ST6	1							[T6]
12									PANEL, Quarter Trim, Includes Carpet, Seatbelt Stowage Retainer, Cargo Cover Mounting Brackets and Insulation
	5FN7 31AZ	1							[AZ], Right
	5FN7 31C3	1							[C3], Right
	5FN7 31T9	1							[T6], Right
-13									RETAINER, seat belt stowage, Also Included in Quarter Trim Panel
	5DG1 8SAZ	1							[AZ]
	5DG1 8SC3	1							[C3]
	5DG1 8ST6	1							[T6]
-14	6032 976	1							RIVET, .125 Grip .12/.30
15									SCREW, .164-18X.925, (NOT SERVICED) (Not Serviced)
16	6032 723	4							SCREW, Self Tapping, M4.2x1.69x19.05
17	6035 369	2							SCREW, Piercing, .164-15x1.25

### GRAND CHEROKEE (ZJ)

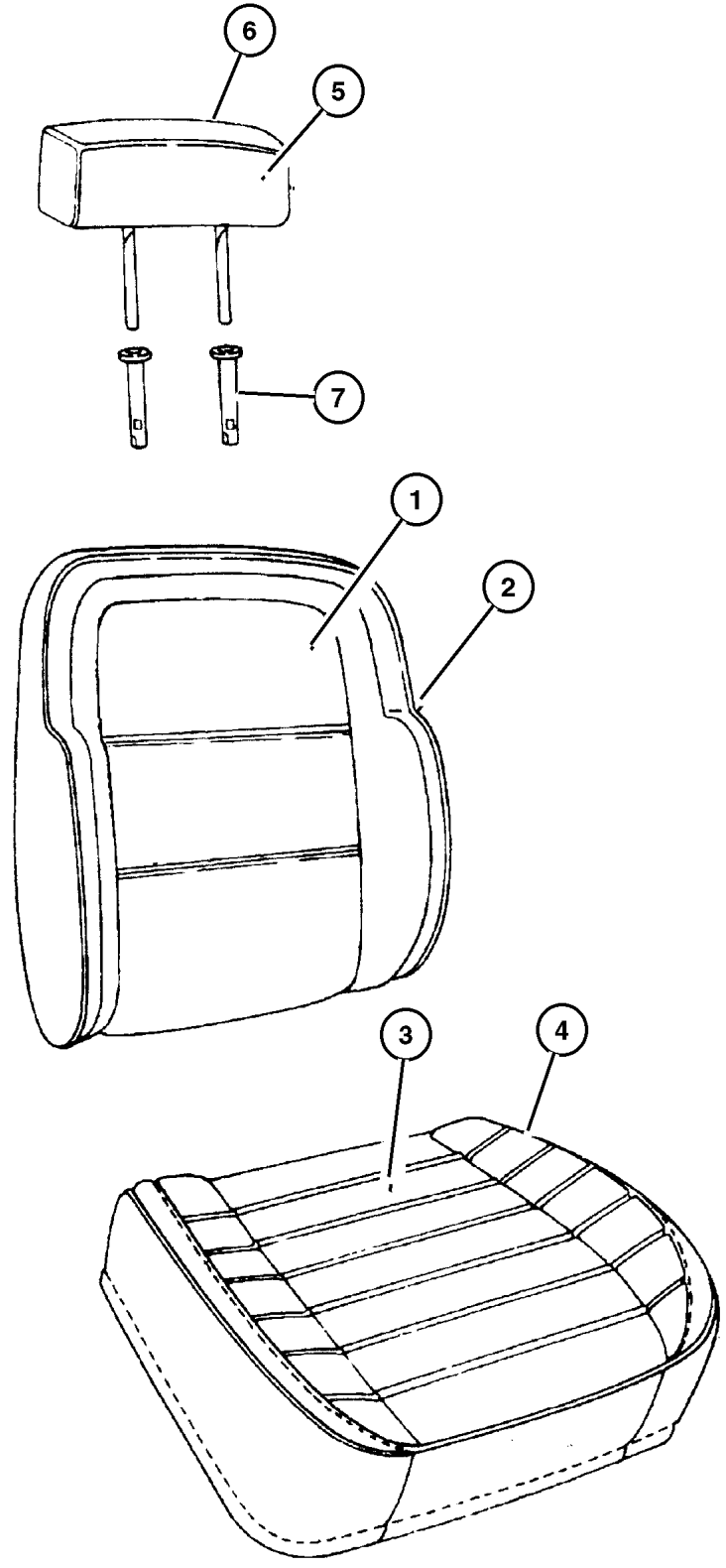
SERIES	LINE	BODY	ENGINE	TRANSMISSION
L = Low Line	J = 4WD T = 2WD	74 = 4 Door	ERH, ER0 = 4.0L Power Tech 6 Cyl. ELF, EL0 = 5.2L V8 MPI EML, EM0 = 5.9L V8 MPI	DGW = 4 Speed Auto. 44RE DGK = 4 Speed Auto. 42RE DGT = 4 Speed Auto. 46RE DG0 = All Speed Auto.

AR = Use as required - = Non illustrated part # = New this model year

July 31, 2002



Front Seat, Trim Code [CL]  
Figure IZJ-510



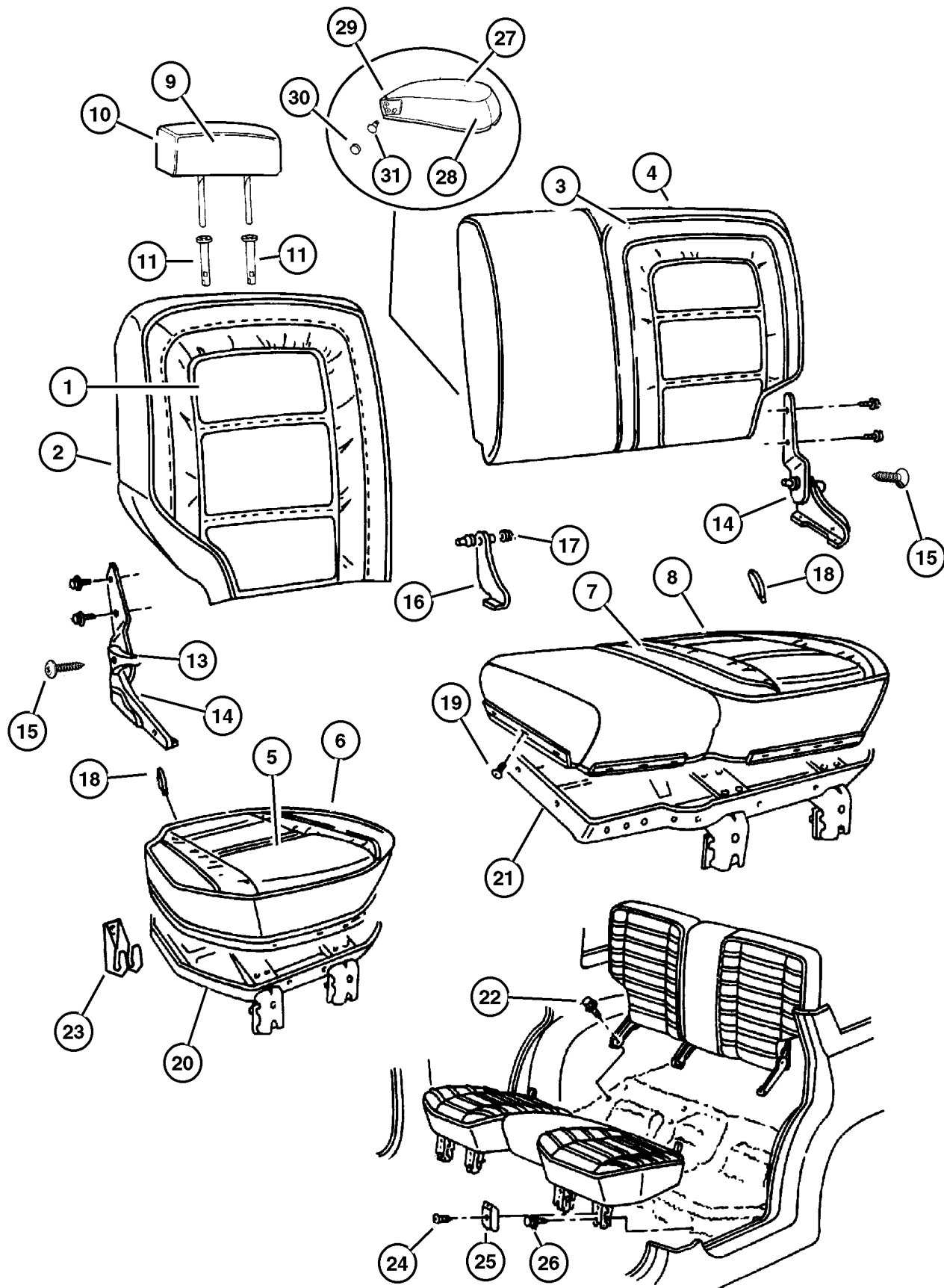
ITEM	PART NUMBER	QTY	LINE	SERIES	BODY	ENGINE	TRANS	TRIM	DESCRIPTION
	PM90 SC3	4						CL	[C3]
	PM90 ST6	4						CL	[T6]
7	4723 834	4						CL	CYLINDER, Headrest
-8	5015 478AA	1						CL	REPAIR KIT, Heated Seat

GRAND CHEROKEE (ZJ)  
 SERIES LINE BODY ENGINE TRANSMISSION  
 L = Low Line J = 4WD 74 = 4 Door ERH, ER0 = 4.0L Power Tech 6 Cyl. DGW = 4 Speed Auto. 44RE  
 ELF, EL0 = 5.2L V8 MPI DGK = 4 Speed Auto. 42RE  
 EML, EM0 = 5.9L V8 MPI DGT = 4 Speed Auto. 46RE  
 DG0 = All Speed Auto.

AR = Use as required - = Non illustrated part # = New this model year

July 31, 2002

## Rear Seat Figure IZJ-610



ITEM	PART NUMBER	QTY	LINE	SERIES	BODY	ENGINE	TRANS	TRIM	DESCRIPTION
		2						GL	
		2						ML	
16	4761 926	1						CL	BRACKET, Pivot, Center
		1						EL	
		1						F5	
		1						FL	
		1						GL	
		1						ML	
17	4882 193	2						CL	GROMMET, Center Pivot
		2						EL	
		2						F5	
		2						FL	
		2						GL	
		2						ML	
18									STRAP, Seat Pull
	HC66 ST6	2						CL	[T6]
	HC66 SJ4	2						GL	[TG]
	HC66 SAZ	1						ML	[AZ]
	HC66 SC3	2						CL	[C3]
	HC66 SAZ	2						CL	[AZ]
		2						EL	[AZ]
	HC66 ST6	2						EL	[T6]
	HC66 SAZ	2						F5	[AZ]
	HC66 ST6	2						F5	[T6]
	HC66 SC3	2						F5	[C3]
	HC66 SAZ	2						FL	[AZ]
19									RETAINER, Cushion Cover
	4720 778	44						CL	
		44						EL	
		44						F5	
		44						FL	
		44						GL	
		44						ML	
20									PANEL, Seat Cushion Base, 40%
	4864 980	1						CL	
		1						EL	
		1						F5	
		1						FL	
		1						GL	
		1						ML	
21									PANEL, Seat Cushion Base, 60%

### GRAND CHEROKEE (ZJ)

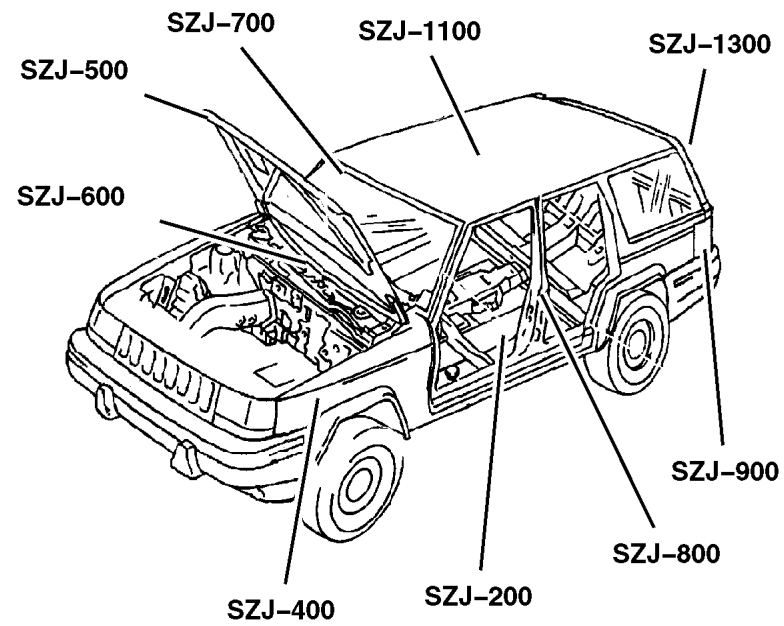
SERIES	LINE	BODY	ENGINE	TRANSMISSION
L = Low Line	J = 4WD T = 2WD	74 = 4 Door	ERH, ER0 = 4.0L Power Tech 6 Cyl. ELF, EL0 = 5.2L V8 MPI EML, EM0 = 5.9L V8 MPI	DGW = 4 Speed Auto. 44RE DGK = 4 Speed Auto. 42RE DGT = 4 Speed Auto. 46RE DG0 = All Speed Auto.

AR = Use as required - = Non illustrated part # = New this model year

July 31, 2002

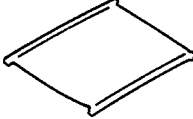

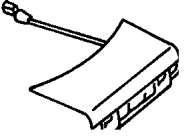
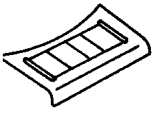
# Group – SZJ

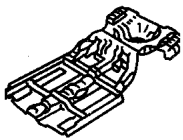


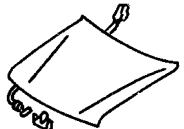
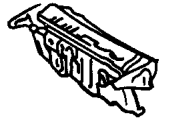

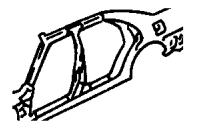
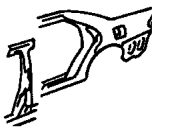
## Body Sheet Metal Except Doors



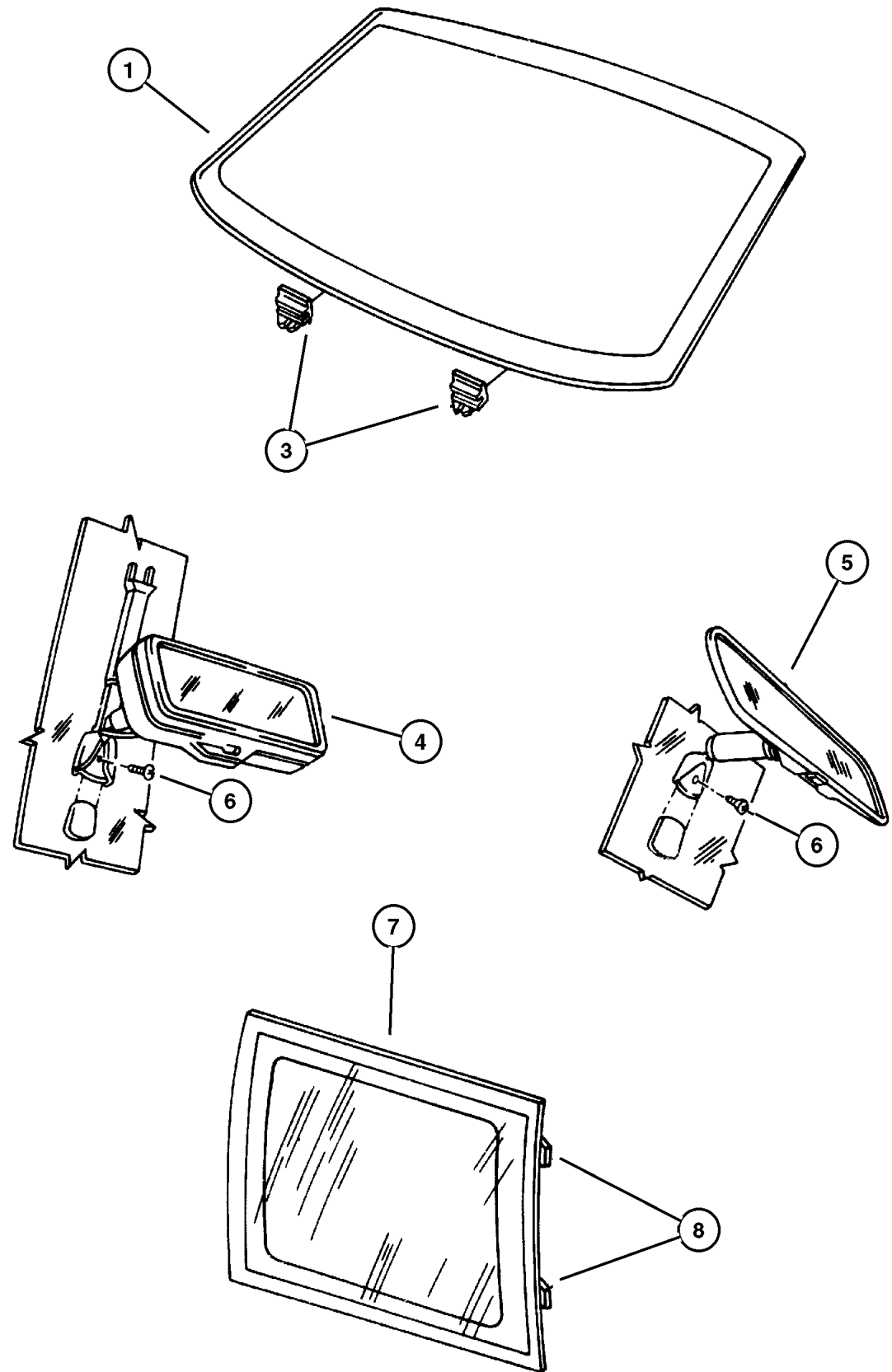
# Group – SZJ

## Body Sheet Metal Except Doors

<p><b>SZJ-1100</b> Roof Panels</p> 	<p><b>SZJ-1200</b> Sunroof</p> 	<p><b>SZJ-1300</b> Liftgate Panel</p> 	<p><b>SZJ-1600</b> Luggage Rack</p> 
--	--	---	---

<p><b>SZJ-200</b> Floor Pans</p> 	<p><b>SZJ-300</b> Plugs</p> 	<p><b>SZJ-400</b> Front Fenders</p> 	<p><b>SZJ-500</b> Hood and Hood Release</p> 
<p><b>SZJ-600</b> Cowl and Dash Panel</p> 	<p><b>SZJ-700</b> Glass and Rear View Mirror</p> 	<p><b>SZJ-800</b> Aperture Panel</p> 	<p><b>SZJ-900</b> Quarter Panel and Pillars</p> 

**Glass, Windshield, Quarter Window and Rear View Mirror  
Figure SZJ-710**



ITEM	PART NUMBER	QTY	LINE	SERIES	BODY	ENGINE	TRANS	TRIM	DESCRIPTION
1	5515 5077	1							WINDSHIELD
-2	5507 6401	1							BUTTON, Rear View Mirror
3	5527 5388	2							SPACER, Windshield
4	5515 5314	1							MIRROR, Inside Rear View, Electric
5	4299 325	1							MIRROR, Inside Rear View, Prismatic, Day Night
6	6031 094	1							SCREW, Pan Head Tapping, .19- 16x.375
7									GLASS, Quarter Window
	5513 5068	1							Tinted, Right
	5513 5069	1							Tinted, Left
	5525 5600	1							Sunscreen, Right
	5525 5601	1							Sunscreen, Left
8	6004 517	4							CLIP, Glass Retention

<b>GRAND CHEROKEE (ZJ)</b>				
SERIES	LINE	BODY	ENGINE	TRANSMISSION
L = Low Line	J = 4WD T = 2WD	74 = 4 Door	ERH, ER0 = 4.0L Power Tech 6 Cyl. ELF, EL0 = 5.2L V8 MPI EML, EM0 = 5.9L V8 MPI	DGW = 4 Speed Auto. 44RE DGK = 4 Speed Auto. 42RE DGT = 4 Speed Auto. 46RE DG0 = All Speed Auto.

AR = Use as required - = Non illustrated part # = New this model year

CLICK HERE TO **DOWNLOAD** THE COMPLETE MANUAL

- Thank you very much for reading the preview of the manual.
- You can download the complete manual from: [www.heydownloads.com](http://www.heydownloads.com) by clicking the link below



- Please note: If there is no response to CLICKING the link, please download this PDF first and then click on it.

CLICK HERE TO **DOWNLOAD** THE COMPLETE MANUAL