



Parts Catalog

CLICK HERE TO **DOWNLOAD** THE COMPLETE MANUAL

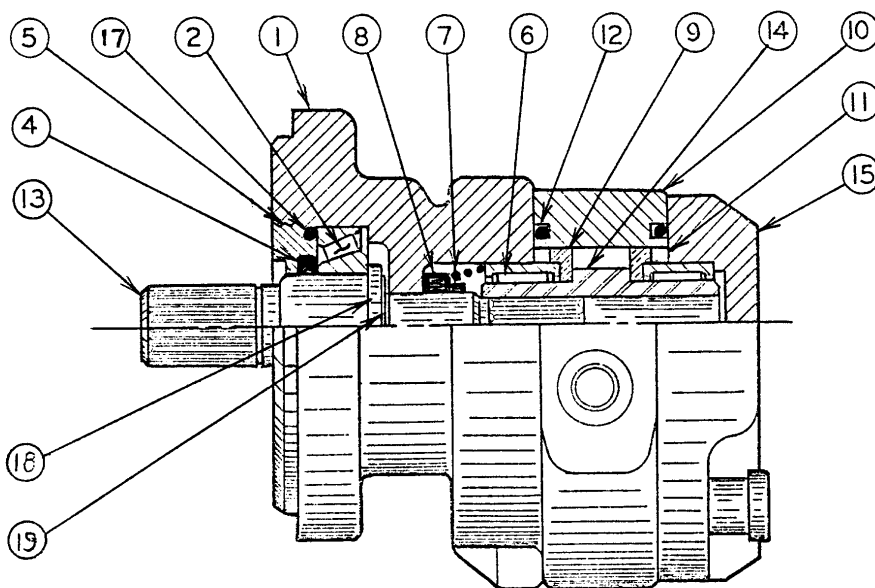
- Thank you very much for reading the preview of the manual.
- You can download the complete manual from: www.heydownloads.com by clicking the link below



- Please note: If there is no response to CLICKING the link, please download this PDF first and then click on it.


CLICK HERE TO **DOWNLOAD** THE COMPLETE MANUAL

BI628169



P/N 15162

REFERENCE	QUANTITY	PART NUMBER	DESCRIPTION
1.....	1	32010X5.....	SHAFT END COVER
2.....	1	41456X52.....	TAPERED ROLLER BEARING
.....	1	41457X40.....	TAPERED ROLLER BEARING
4.....	1	44181X5.....	SEAL
5.....	1	32002X2.....	RETAINER RING
6.....	4	32031X6.....	ROLLER BEARING
7.....	1	32001X18.....	SPRING
8.....	1	32028X2.....	SHAFT BUSHING
9.....	2	32032X2.....	THRUST PLATES
10.....	1	32009X77.....	GEAR HOUSING
11.....	12	32029X5.....	POCKET SEAL
12.....	2	102244	"O" RING GASKET
13.....	1	32011X5.....	DRIVE SHAFT
14.....	1	32007X22.....	GEAR SET
15.....	1	32008X6.....	PORT END COVER
16.....	2	32046	CHECK ASSEMBLY (NOT SHOWN)
17.....	1	102228	"O" RING
18.....	1	2968	BEARING SPACER
19.....	1	32031X3.....	RETAINER RING

REV. #	SHT. 1 OF 1
 DBT AMERICA INC. DBT	
HYDRAULIC MOTOR	
7-98	15162

AUTOMATIC CABLE REEL CONTINUED				
HOSE ENDS	MALE PIPE	J.I.C.	STAPLOC	QTY.
	109000X4	108000X4	139022X4	8
	109000X8	108000X8	139022X8	6
	109000X12	108000X12	139022X12	2
			139000X4	8
			139022X8	6
			139000X12	2
HOSE	105000X4	105000X8	105000X12	
	14 60	36 48	38	
	24 6	24		
	104"=8.67'	108"=9.0'	38"=3.16'	

HYDRAULIC BLOWER MOTOR				
ADAPTERS	MALE PIPE	J.I.C.	STAPLOC	QTY.
	111004X4	111011X4	139005X4	2
	111002X10	111002X10	111002X10	1
	111016X12	111016X12	111016X12	5
	111004X12	111011X12	139005X12	4
	111005X12	111009X12	139004X12	2
HOSE ENDS	109000X4	108000X4	139022X4	4
	109000X12	108000X12	139022X12	10
HOSE	105000X4	105000X12	139000X4	4
	36 60	48 60	139000X12	10
		48 64		
	96"=8.0'	220"=18.3'		

THRUST CONTROL				
ADAPTERS	MALE PIPE	J.I.C.	STAPLOC	QTY.
	111001X8	111012X8	139011X8	1
	111016X8	111015X8	139002X8	4
HOSE ENDS	109000X8	108000X8	139022X8	8
			139000X8	8
HOSE	105000X8			
	18 127			
	102 31			
	278"=23.17'			

A.T.R.S. ACCUMULATOR				
ADAPTERS	MALE PIPE	J.I.C.	STAPLOC	QTY.
	111001X6	111037X6	139011X6	1
	111002X8	111002X8	111002X8	1
	111005X4	111009X4	111002X4	3
	111008X4	111009X4X6	139026X4X6	2
	111016X4	111015X4	139002X4	4
	111069X6	111069X6	111069X6	1
HOSE ENDS	109000X4	108000X4	139022X4	4
	105000X6	108000X6	139022X6	6
			139000X4	8
			139000X6	6
HOSE	105000X4	105000X6		
	96 132	24		
	96	36		
	324"=27'	60"=5'		

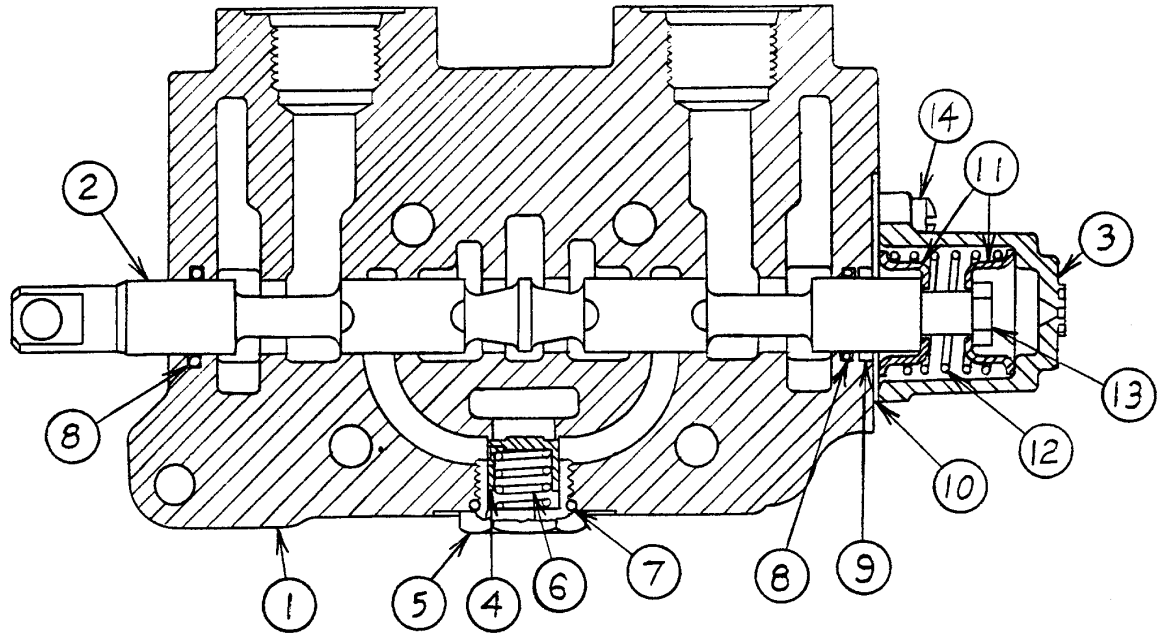
REV. C	SHT. 2 OF 2
 DBT AMERICA INC. DBT	
HOSE AND FITTING SUMMARY OPTIONAL EQUIPMENT	
9-98	17264-12

AUTOMATIC CABLE REEL OPTION				
REF.	FITTING	HOSE	LOCATION	FITTING
149	H29-90-1/2	H2-1/2X36	P.O. VALVE TO MAIN VALVE	H16-1/2X1/4
150	H31-1/4/ H15-LIT-1/4	H2-1/4X14	GAGE MANIFOLD TO 2-WAY VALVE	H16-1/2X 1/4/H31-1/4
151	H15-90-1/4/ H16-1/2X1/4	H2-1/4X24	2-WAY VALVE TO PILOT END CAP	H15-UT-1/4
152		H2-1/4X60	TEE TO TEE	
153	H29-90-1/2	H2-1/2X24	P.O. VALVE TO RELIEF VALVE	H16-3/4X1/2
154	H15-90-3/4	H2-3/4X38	RELIEF VALVE TO REEL MOTOR	H31-3/4/ H15-UT-3/4
155		H2-1/4X6	TEE TO L H TRAM G-FITTING	
81	H15-90-3/8/ H16-3/8X3/4	REF.	RELIEF VALVE TO REEL MOTOR	
148		H2-1/2X48	MAIN VALVE TO P.O. VALVE	

THRUST CONTROL OPTION				
REF.	FITTING	HOSE	LOCATION	FITTING
156	H15-UT-1/2	H2-1/2X18	TEE TO VALVE BANK TEE	H29-90-1/2
157		H2-1/2X102	TEE TO FLOW CONTROL	H29-90-1/2
158	H29-90-1/2	H2-1/2X127	FLOW CONTROL TO TANK	
159	H29-90-1/2	H2-1/2X31	PUMP TO TEE	

HYDRAULIC BLOWER MOTOR OPTION				
REF.	FITTING	HOSE	LOCATION	FITTING
160		H2-1/4X36	MAIN VALVE TO REMOTE PORT "X"	H15-90-1/4
161	H37-1X3/4/ H29-90-3/4	H2-3/4X48	PUMP TO BLOWER VALVE BANK	H15-90-3/4
162	H15-0-3/4	H2-3/4X48	BLOWER VALVE TO TANK	H29-90-3/4
163	H15-90-3/4	H2-3/4X60	BLOWER VALVE TO BLOWER MOTOR	H29-90-3/4
164	H29-90-3/4	H2-3/4X64	BLOWER MOTOR TO BLOWER VALVE	H15-0-3/4
165	H15-90-1/4	H2-1/4X60	BLOWER VALVE "Y" PORT	H15-90-1/4
			CONNECT UPSTREAM OF FILTER	H15-90-1/4
166	H15-90-3/4	H2-3/4X48	R.V. TO TANK	H29-90-3/4

REV. B	SHT. 1 OF 1
 DBT AMERICA INC. DBT	
HOSE AND FITTING LOCATOR OPTIONAL EQUIPMENT	
9-98	17264-8




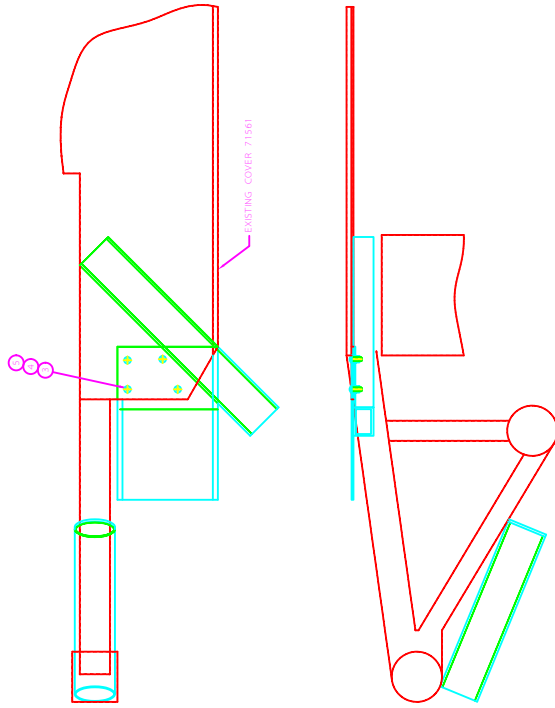
P/N 32005X47

REFERENCE	QUANTITY	PART NUMBER	DESCRIPTION
*1	1	N/A	VALVE HOUSING
*2	1	N/A	VALVE SPOOL
3	1	32038	VALVE CAP
4	1	32025x8	CHECK POPPET
*5	1	N/A	CHECK VALVE CAP
6	1	32001x9	SPRING
7	1		"O" RING
8	2		"O" RING
9	1	32012x8	BACK-UP RING
10	1	32012	RETAINING PLATE
11	2	32002x3	SPRING GUIDE
12	1	32001x10	SPRING
13	1	32059	HEX HD. STRIPPER BOLT
14	2		FILLISTER HEAD SCREW
16	1	102129	"O" RING
17	3	102125	"O" RING

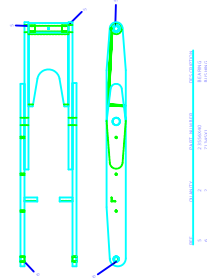
* CANNOT BE PURCHASED AS A SEPARATE ITEM.

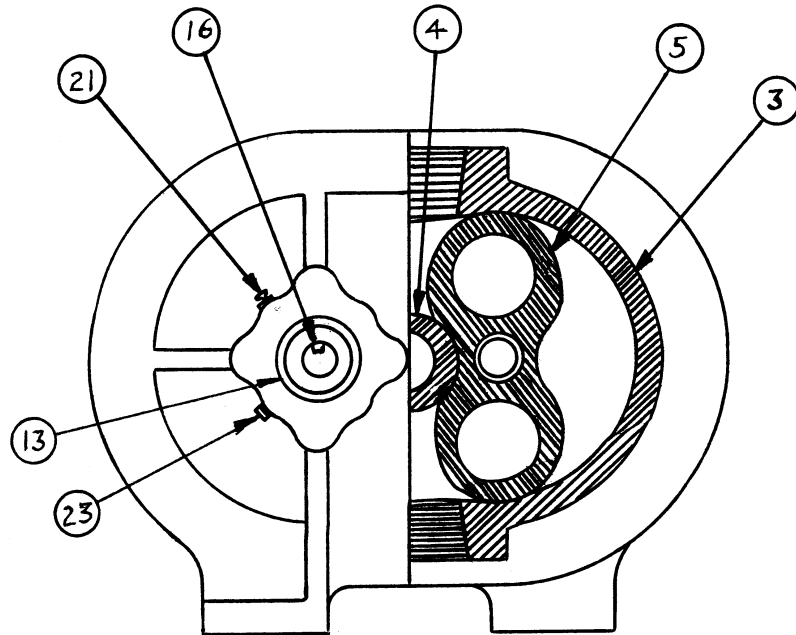
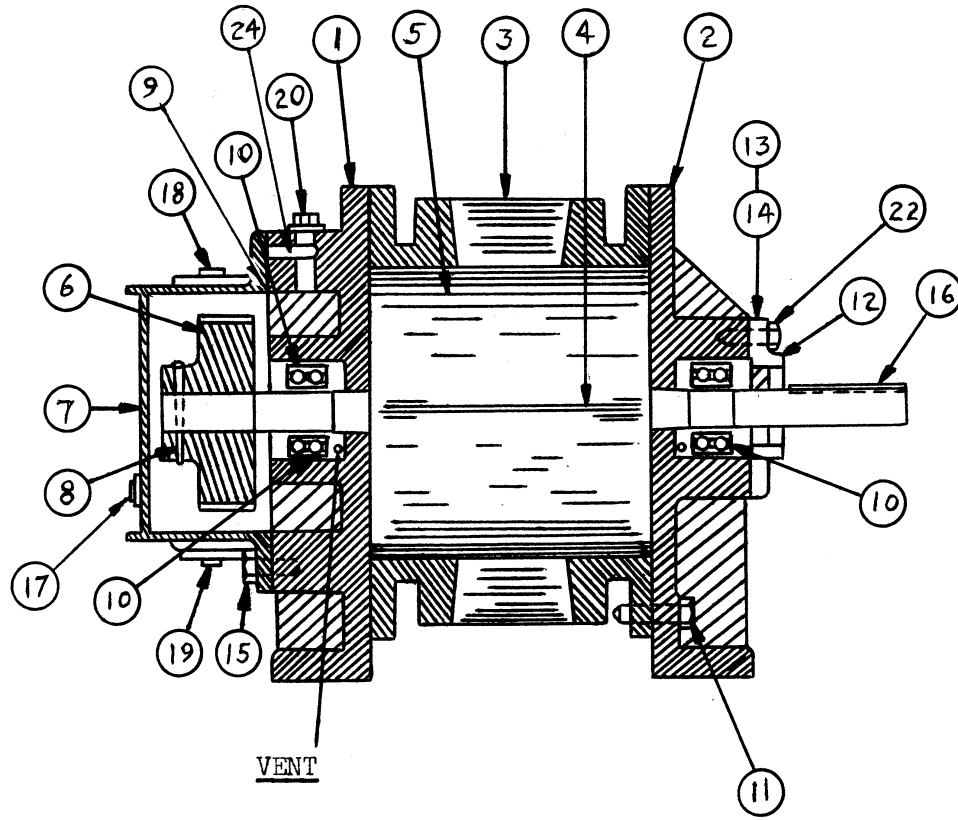
NOTE: SPRING CENTERED WORK PORTS OPEN TO TANK IN NEUTRAL POSITION.


REV. #	SHT. 1 OF 1
 DBT AMERICA INC. DBT	
VALVE SECTION	
9-98	32005X47



PC #	PART NUMBER	DESCRIPTION	QTY
03	52-CC-8	3/8-10UNC. INCL. SOC. HD. SCREW	4
04	55-6	3/8 LOCKWASHER	8
05	59-CC	3/8-10UNC. NUT	4

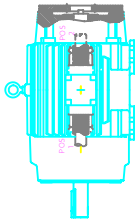




REV. #	SHT. 1 OF 2
 DBT AMERICA INC. DBT	
BLOWER ASSEMBLY	
8-98	7169

BI628169

DUTY MASTER ALTERNATING CURRENT MOTORS
 30HIREL-CAGE INDUCTION
 ENCLOSURE : TOTALLY ENCLOSED COOLING: FAN-COOLED
 EXPLOSION PROOF - M.E.S.A.
 MOUNTING: FOOT, SPL. ADAPTER DRIVE END - C - FACE FRONT END
 FRAMES 320TY



REF.	QUANTITY	PART NUMBER	DESCRIPTION
1	1	491143	FRAME
2	1	9866X17ND	EYEBOLT
3	1	9448X17ND	SHIMMING PIN
4	1	9866X17ND	B BRG, FE OR BE
5	2	9333X12ND	WAVE WSHR, FE BRKT
6	1	4900Z218	FAN, FE OUTER
7	1	4900Z219	CLAMP, FE FAN
8	1	9333X16	KEY, OUTER FAN
9	4	01400Z214ND	BRKT, FE COVER
10	1	4900Z218	WAVE WSHR, FE BRKT
11	1	4900Z218	FAN, FE OUTER
12	1	9866X17KV	CLAMP, FE FAN
13	1	490919Z1	KEY, OUTER FAN
14	1	491156	BRKT, FE COVER
15	1	9448X16ND	HHC'S, FE CAP
16	2	01	HHC'S, FAN COVER
17	4	9448X17ND	SPL. SCR, FE BRKT
18	4	01	LOCKW, FE CAP
19	4	01	LOCKW, FE CAP
20	4	01	LOCKW, FE CAP
21	2	01	LOCKW, FE CAP
22	4	01	LOCKW, FE FAN COVER
23	4	01	LOCKW, FE FAN COVER
24	1	01	SONDRUG, FE GRS IN
25	1	01	SONDRUG, FE GRS IN
26	1	01	PIPE CPUG, FE
27	1	01	BRKT, BE
28	1	4900Z214ND	BRKT, BE
29	1	01400Z19ND	HHC'S, BE BRKT
30	4	01400Z19ND	HHC'S, BE CAP
31	2	01	HHC'S, BE CAP
32	1	01	HHC'S, BE SHMT
33	2	01	LOCKW, BE CAP
34	2	01	LOCKW, BE CAP
35	1	01	SONDRUG, BE GRS IN
36	1	01	SONDRUG, BE GRS IN
37	1	92560049	RELIEF FITTING, BE
38	3	9448X22ND	TERM. LUGS, MTR.
39	1	9448X21ND	PACKING GLAND KIT
40	4	94123	PACKING GLAND KIT
41	1	01	ADAPT, BE ADAPT
42	4	01	LOCKW, BE ADAPT
43	1	9448X22ND	KEY, FE ADAPT
44	8	490919X41	DR SCR, N/PLT

NOTE: BILL OF MATERIAL FOR REPLACEMENT PARTS ONLY
 NOTE: ORDERING REFERENCE PARTS, ORDER BY PART NUMBER

ITEM	X/C/O	X/O/O	X/E/O	X/E/O
A	3 - #6 - 7/8 + 0.5 - 0.31	1.62	1.25	
B	4 - #6 - 1.0 + 0.5 - 0.31	1.88	1.50	
C	4 - #4 - 2.7 + 0.5 - 0.31	1.88	1.50	
D	3 - #8 - 1.40 + 0.5 - 0.31	2.12	1.75	
(1)				

CLICK HERE TO **DOWNLOAD** THE COMPLETE MANUAL

- Thank you very much for reading the preview of the manual.
- You can download the complete manual from: www.heydownloads.com by clicking the link below



- Please note: If there is no response to CLICKING the link, please download this PDF first and then click on it.

CLICK HERE TO **DOWNLOAD** THE COMPLETE MANUAL

BI628169



GENERAL INFORMATION

WHEN CONTACTING THE MANUFACTURER ABOUT YOUR EQUIPMENT, ALWAYS INCLUDE THE COMPLETE MACHINE MODEL NUMBER AND SERIAL NUMBER. THIS INFORMATION MAY BE OBTAINED FROM THE APPROVAL PLATE.

THE PART NUMBER INFORMATION AND MACHINE SPECIFICATIONS IN THIS CATALOG ARE BASED SOLELY ON THE INFORMATION CONTAINED IN THE MACHINE ORDER AT THE TIME THE CATALOG IS ASSEMBLED; THE MACHINE ORDER IS CONSIDERED TO BE THE FINAL AUTHORITY FOR ANY DISCREPANCIES WHICH MAY OCCUR BETWEEN CATALOG AND MACHINE. REPLACEMENT OR ADDITIONAL CATALOGS WILL SHOW INFORMATION AND SPECIFICATIONS INDICATED BY THE MACHINE ORDER ON FILE AND MAY NOT REFLECT THE ACTUAL MACHINE CONFIGURATION; WE CAN ASSUME NO RESPONSIBILITY FOR KNOWLEDGE OF MODIFICATIONS MADE TO A MACHINE UNLESS NOTIFIED IN WRITING OF SUCH MODIFICATIONS. THE MANUFACTURER RESERVES THE RIGHT TO MODIFY THE TYPE OF EQUIPMENT DESCRIBED IN THIS CATALOG WITHOUT NOTICE AND WITHOUT INCURRING ANY OBLIGATION TO MAKE SIMILAR MODIFICATIONS ON EQUIPMENT SOLD PREVIOUSLY. SUBSEQUENT TO DELIVERY AND ACCEPTANCE BY MINE MANAGEMENT, ANY MODIFICATIONS OR ADDITIONS WHICH ARE REQUIRED THROUGH CHANGE OR ENACTMENT OF STATE OR FEDERAL MINE SAFETY REGULATIONS OR INTERPRETATIONS IS THE SOLE RESPONSIBILITY OF MINE MANAGEMENT.

ALWAYS USE GENUINE O. E. M. REPLACEMENT PARTS

SERIAL NUMBER: 62-910

MODEL NUMBER: LRB-15AR

BI628169

BI628169

BI628169

BI628169

BI628169

2. GULF OIL
HARMONY 68 AW
3. MOBIL OIL CORP.
MOBIL DTE - 16
4. CHEVRON U. S. A.
CHEVRON HYDRAULIC OIL AW ISO 68
5. SUN OIL COMPANY
SUNVIS 868
6. UNOCAL 76
UNAX AW 68
7. SHELL OIL COMPANY
SHELL HYDRAULIC OIL #33
8. CENTURY LUBRICATING OIL, INC.
HULDRALIC AW 68
CENTRALIC AW 68
9. ATLANTIC RICHFIELD CO.
DURO AW S - 315 OIL
10. TEXACO, LUBRICANTS CO.
TEXACO RANDO OIL HD 68
11. EXXON
NUTO H 68
12. PENNZOIL
PENNZBELL AW 68 HYDRAULIC OIL
13. STANDARD OIL COMPANY
STANDARD OIL CO. OF OHIO
BORON OIL CO
BP OIL INC.
14. LUBRICATION ENGINEERS
ENERGOL HLP - C68
6120 MONOLEC HYD. OIL
15. CONOCO INC.
SUPER HYDRAULIC OIL 68
16. HYDROTEX
SYSTEMS 5K 68
17. PHILLIPS
MAGINIIS A OILS 81350

TEST	MIN	60#	65#
<p>LINKEN TEST ASTM D-2782</p> <p>FKOUR BALL EP TEST ASTM D-2783</p> <p>WELD LOAD KG. MIN. LOAD WEAR INDEX NOT LESS THAN 45.0</p>			240 47
<p>FOUR BALL WEAR TEST ASTM D-2266 (20 KG. 1800 RPM, 130 °F., ONE HOUR)</p> <p>MAX. 0.8MM SCAR DIAMETER.</p>			0.27
<p>COEFFICIENT OF FRICTION</p> <p>MAX. 0.1</p>			UNKNOWN
<p>OXIDATION TEST, OIL BLOWN FOR 312 HOURS AT 250 °F. (95 °C.). TEN (10) LITERS OF DRY AIR PER HOURS. PERCENT INCREASE SSU VISCOSITY AT 210 °F. = 6% MAX.</p> <p>2.2% INCREASE</p>			
<p>FOUR SQUARE GEAR OIL TEST</p> <p>NOT LESS THAN ELEVENTH STAGE.</p>			STAGE 12
<p>VISCOSITY</p> <p>SSU @ 100 °F. SSU @ 210 °F. CST @ 40 °C. CST @ 100 °C.</p>	1844/4345 120/200 414/506 30.3		2237 - 2609 149
<p>DEMULSIBILITY TEST ASTM D-2711</p> <p>WATER IN OIL FREE WATER AFTER CENTRIFUGE TOTAL WATER</p>	1.5 ML. MAX. 81 ML. MIN. 2 ML. MAX. 84.5 ML. MIN.		0.8 ML. 83.0 ML. 0.7 ML. 83.7 ML.
<p>USS 244 REQUIREMENT</p> <p>WATER IN OIL FREE WATER AFTER CENTRIFUGE TOTAL WATER</p>	2.0 ML. MAX. 80.0 ML. MAX. 2.0 ML. MAX.		

مستقر في الماء، مستقر في الماء

FR33

EMULSION STABILITY (IMMEDIATELY AFTER MANUFACTURE TO 48 HOURS @ 185 DEGREES F) NO FREE WATER - 4% MAX. FREE OIL

LIST OF APPROVED SUPPLIERS

INCLUSION IN THIS LIST MEANS ONLY THAT THE PRODUCT HAS BEEN EVALUATED FOR SATISFACTORY PERFORMANCE PROPERTIES.

OIL COMPANIES WISHING TO BE INCLUDED IN THIS LISTING MUST FIRST SUBMIT SATISFACTORY RESULTS OF TESTS SHOWN ON SHEET 1 OF THIS SPECIFICATION.

<u>SUPPLIER</u>	<u>BRAND NAME</u>
1. UNOCAL 76	FR FLUID
2. CONOCO INC.	FR HYDRAULIC FLUID
3. ALANTIC RICHFIELD CO.	DURO FR - HD
4. BROOKS OIL COMPANY	BROOKS FIRE RESISTANT HYD. FLUID B
5. CINCINNATI - VULCON CO.	VULCON FR FLUID #1
6. CITIES SERVICE OIL CO.	CITGO PACEMAKER INVERT FR FLUID
7. CENTURY OILS LIMITED	AQUACENT LIGHT

1. AMOCO OIL CO
AMERICAN INDUSTRIAL OIL NO. 68
2. GULF OIL
HARMONY 68
3. MOBIL OIL CORP.
DTE HEAVY - MEDIUM
4. CHEVRON U. S. A.
CHEVRON TURBINE OIL ISO 68 OR
CHEVRON MACHINE OIL R&O ISO 68
5. SUN OIL COMPANY
SUNVIS 754
6. UNOCAL 76
UNAX RX68 OR
TURBINE OIL 68
7. SHELL OIL COMPANY
TURBO 68
8. CENTURY LUBRICATING OIL, INC.
CENTRAULIC R & O 68
9. TEXACO, LUBRICANTS CO.
REGAL OIL R & O N - 68
10. EXXON
TRESSTIC 68
11. PENNZOIL
PENNZBELL RO 68
12. LUBRICATION ENGINEERS
6120 MONOLEC TURBINE OIL
13. CONOCO INC.
DETOL R & O 68 OR
TURBINE OIL 68
14. HYDROTEX
SYSTEMS 1, SYSTEM 5K 68
15. ATLANTIC RICHFIELD CO.
DURO 5.315
16. CITICORP SERVICE OIL CO.
CITGO PACFMAKFR A/W68

CLICK HERE TO **DOWNLOAD** THE COMPLETE MANUAL

- Thank you very much for reading the preview of the manual.
- You can download the complete manual from: www.heydownloads.com by clicking the link below



- Please note: If there is no response to CLICKING the link, please download this PDF first and then click on it.

CLICK HERE TO **DOWNLOAD** THE COMPLETE MANUAL