



Technical Manual

CLICK HERE TO **DOWNLOAD** THE COMPLETE MANUAL

- Thank you very much for reading the preview of the manual.
- You can download the complete manual from: www.heydownloads.com by clicking the link below



- Please note: If there is no response to CLICKING the link, please download this PDF first and then click on it.

CLICK HERE TO **DOWNLOAD** THE COMPLETE MANUAL

Primary Fuel Filter **

503436 **

Item	Part Number	Part Name	QTY
1	503467	Filter Element	1

Throttle Control Group

503246

Item	Part Number	Part Name	QTY
2	500699 **	Cylinder Master Throttle **	1
3	500700 **	Cylinder Slave Throttle **	1
4	500701	Clamp	1
5	500702	Reservoir	1
6	503380	Bracket	1
7	503381	Cover	1
8	500420	Ball Joint Transmission	1
9	B051010221	Bolt, 5/16 UNC x 1-1/4 GR:5 ZN HH	1
10	N051223	Nut, 5/16 UNC GR:5 ZN NYLOC	1
11	B051006221	Bolt, 5/16 UNC x 3/4 GR:5 ZN HH	2
12	DUD17-0207	Fitting, 90 Degree Elbow 1/8 NPT Male x 7/16 JIC Male	2
13	DUDE17-0207	Fitting, 90 Degree Elbow 1/8 NPT Extended Male x 7/16 JIC Male	2
14	DUD93-0707	Fitting, Nipple 7/16 JIC Male x 7/16 Male	1



Fan **

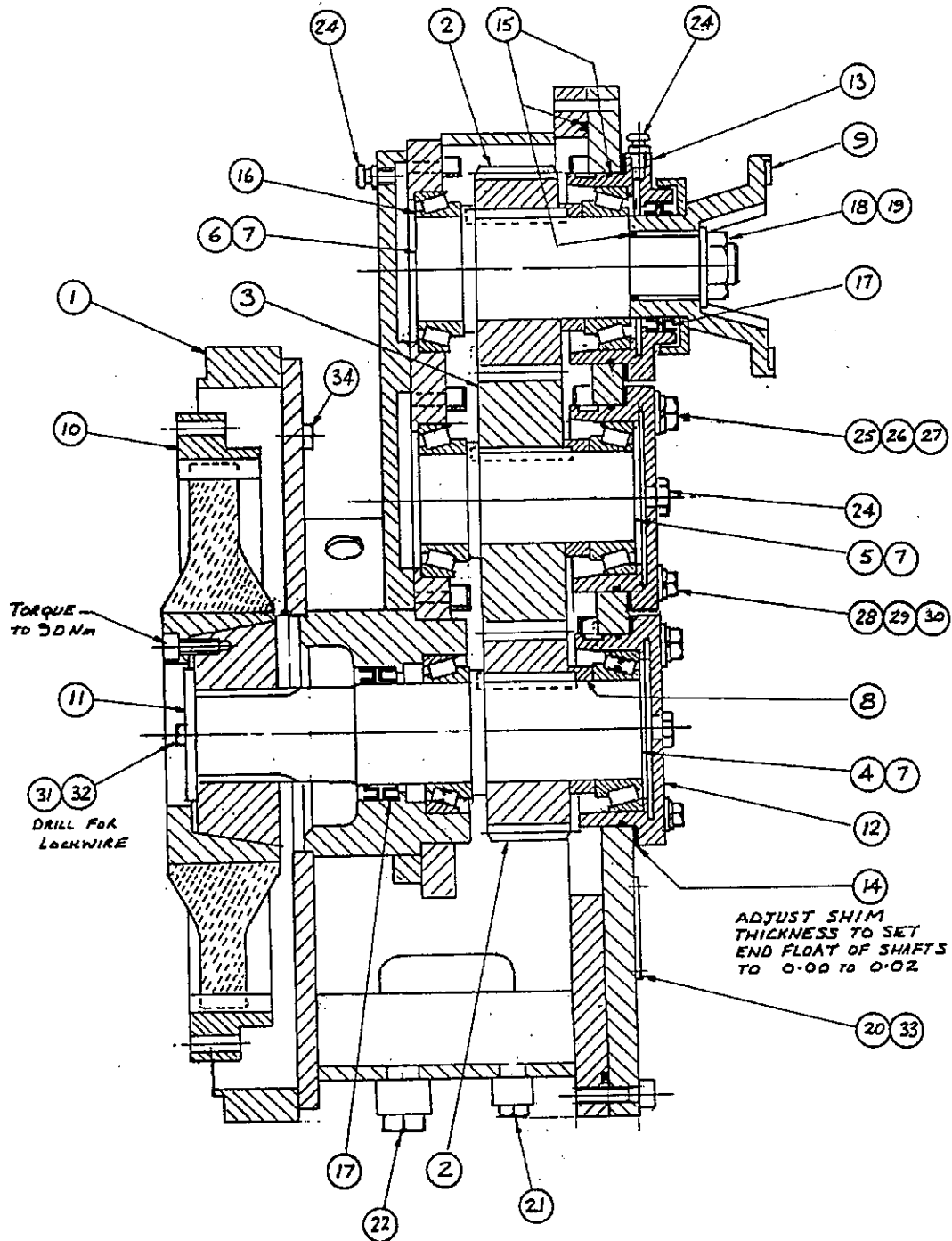
503384 **

Item	Part Number	Part Name	QTY
1	503546	Fan Blade - Set of 9	1
2	503547	Fan Hub	1

Drop Box - Mk2 **

501902 **

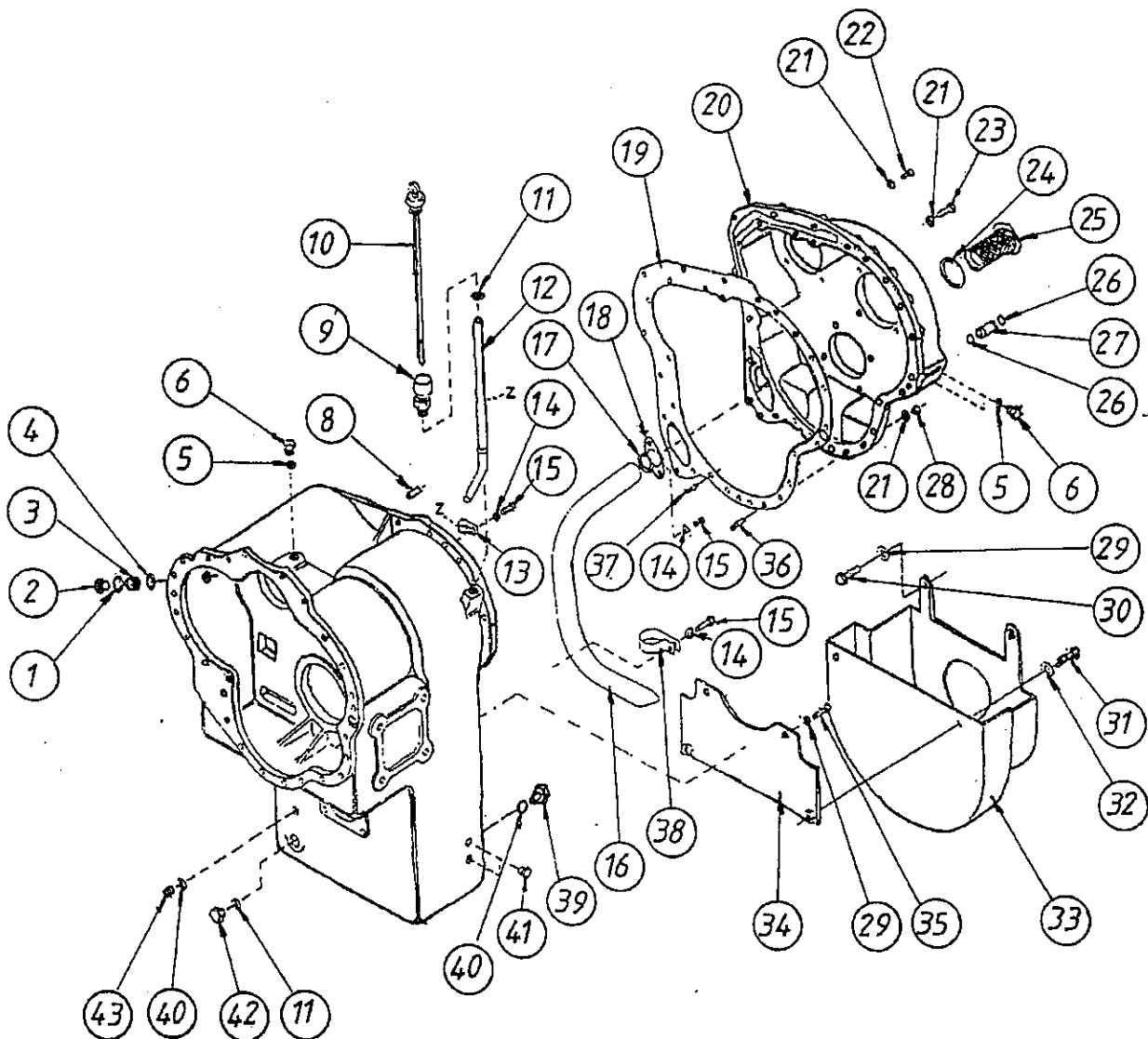
Illustration



Transmission Case & Rear Cover Group **

501472 **

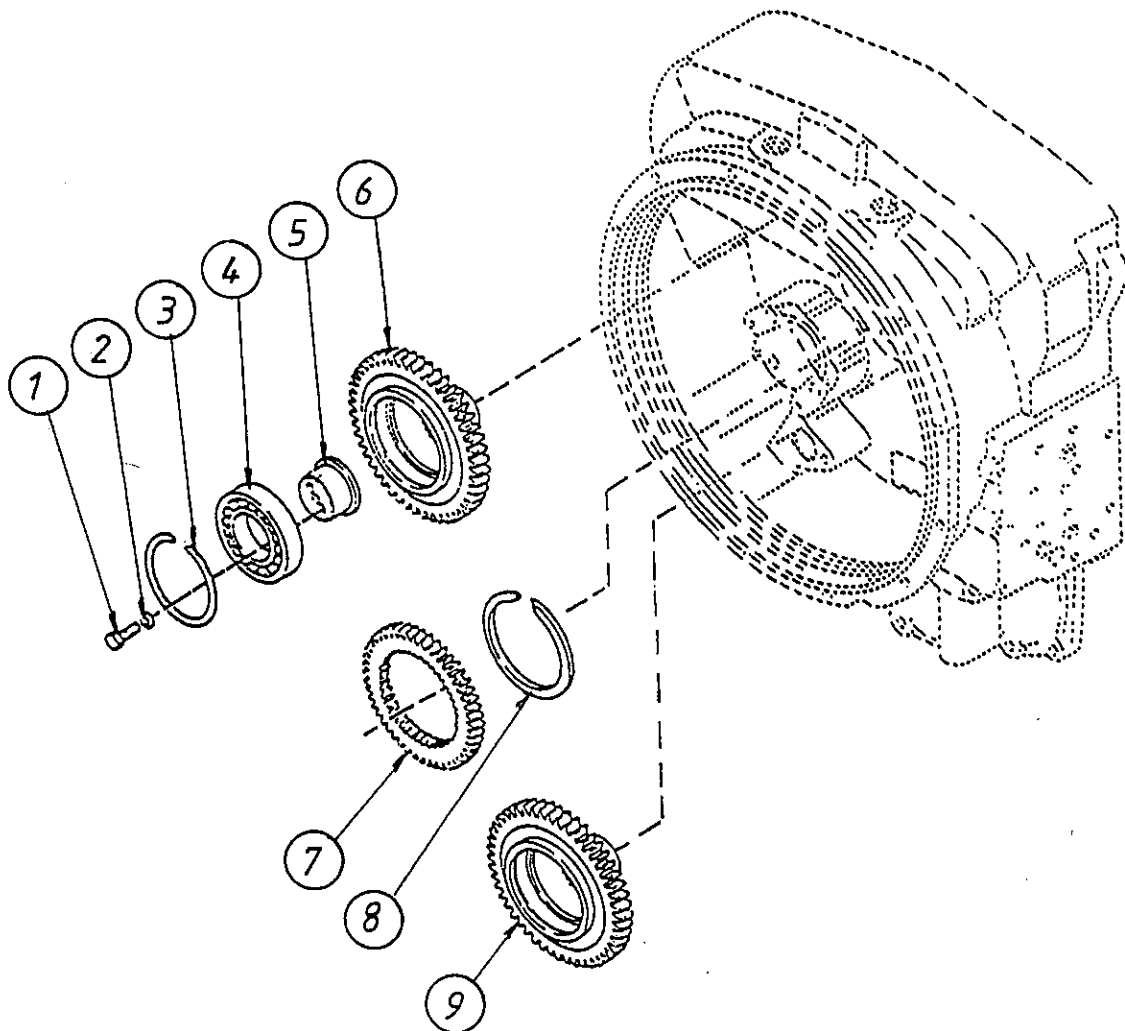
Illustration



Pump Drive Group **

501440 **

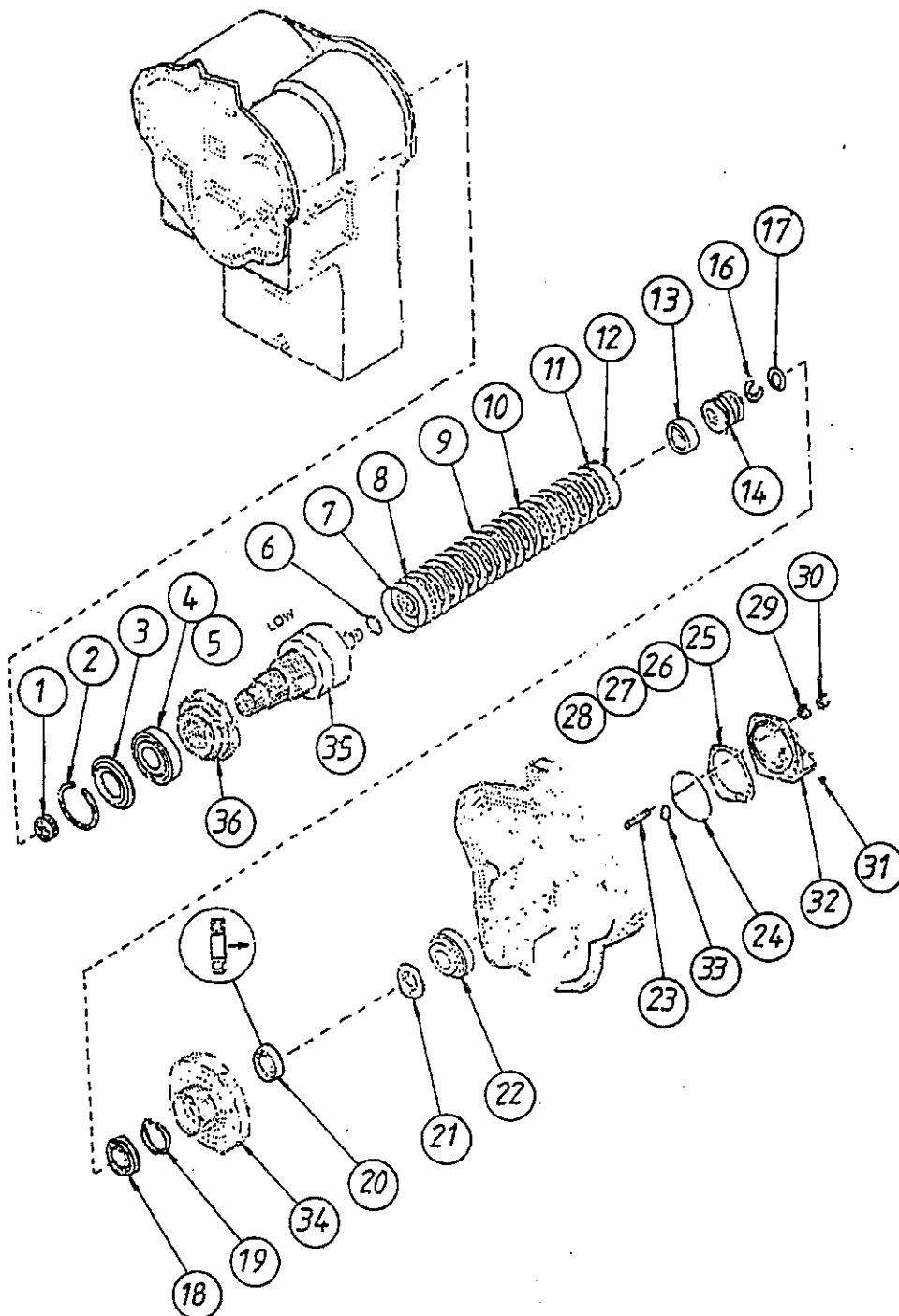
Illustration



Low Speed Clutch Shaft Group **

501444 **

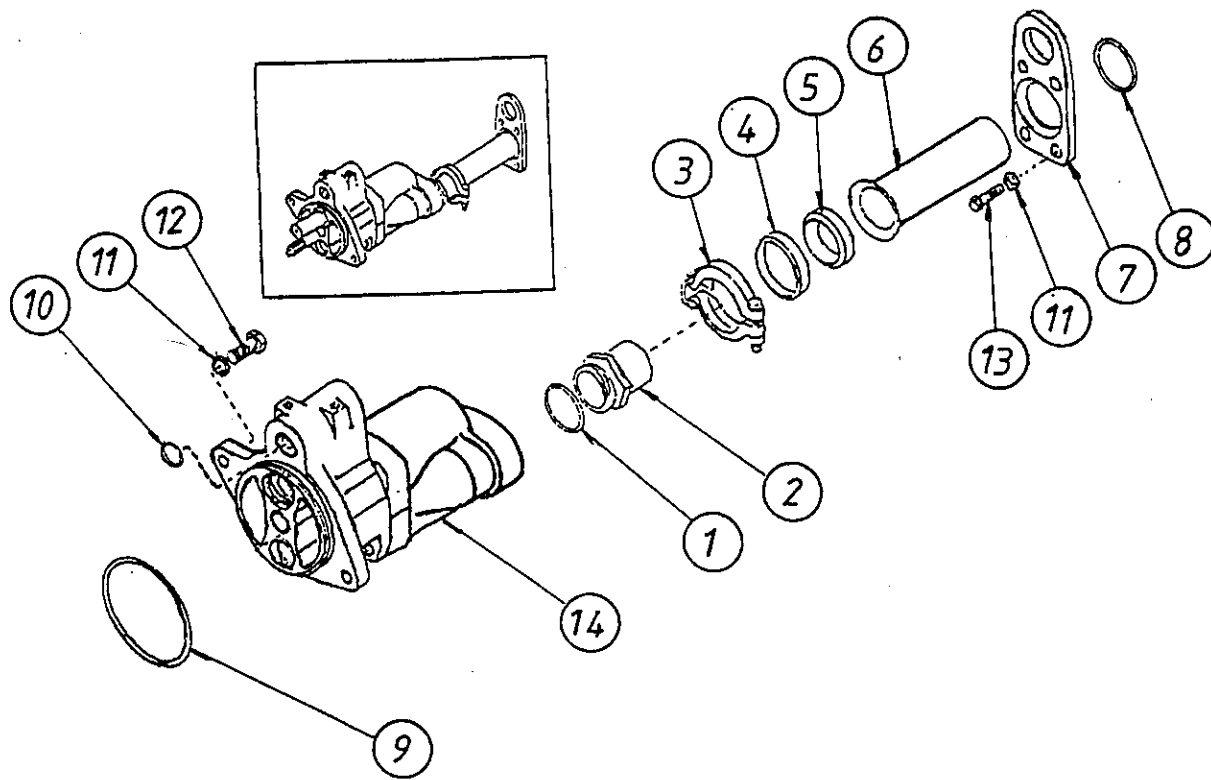
Illustration



Pressure Regulating Valve & Charging Pump Group **

501448 **

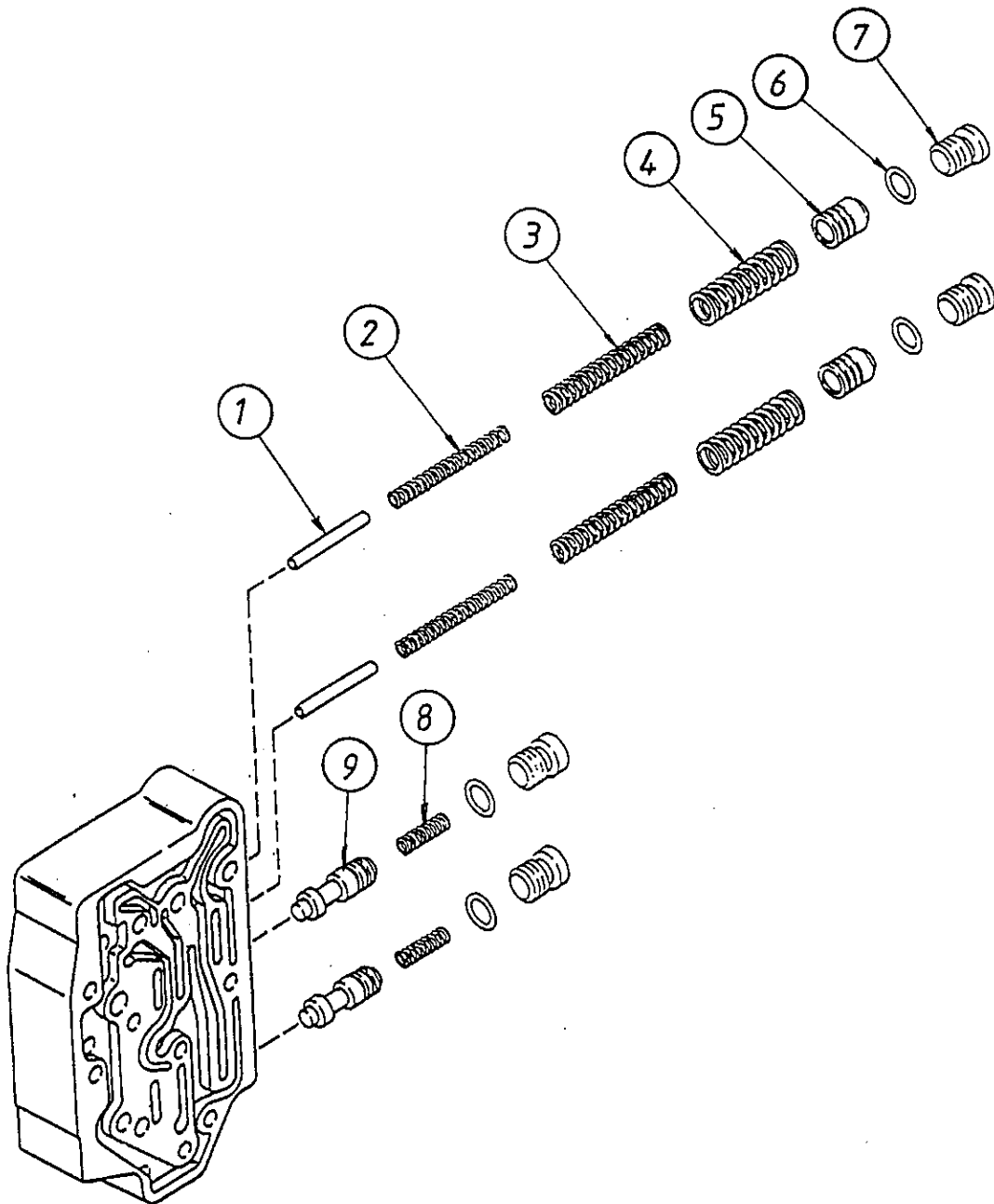
Illustration



Modulator Valve Assembly **

501343 **

Illustration



HR34000 Transmission Section Sealing Kit **

501482 **

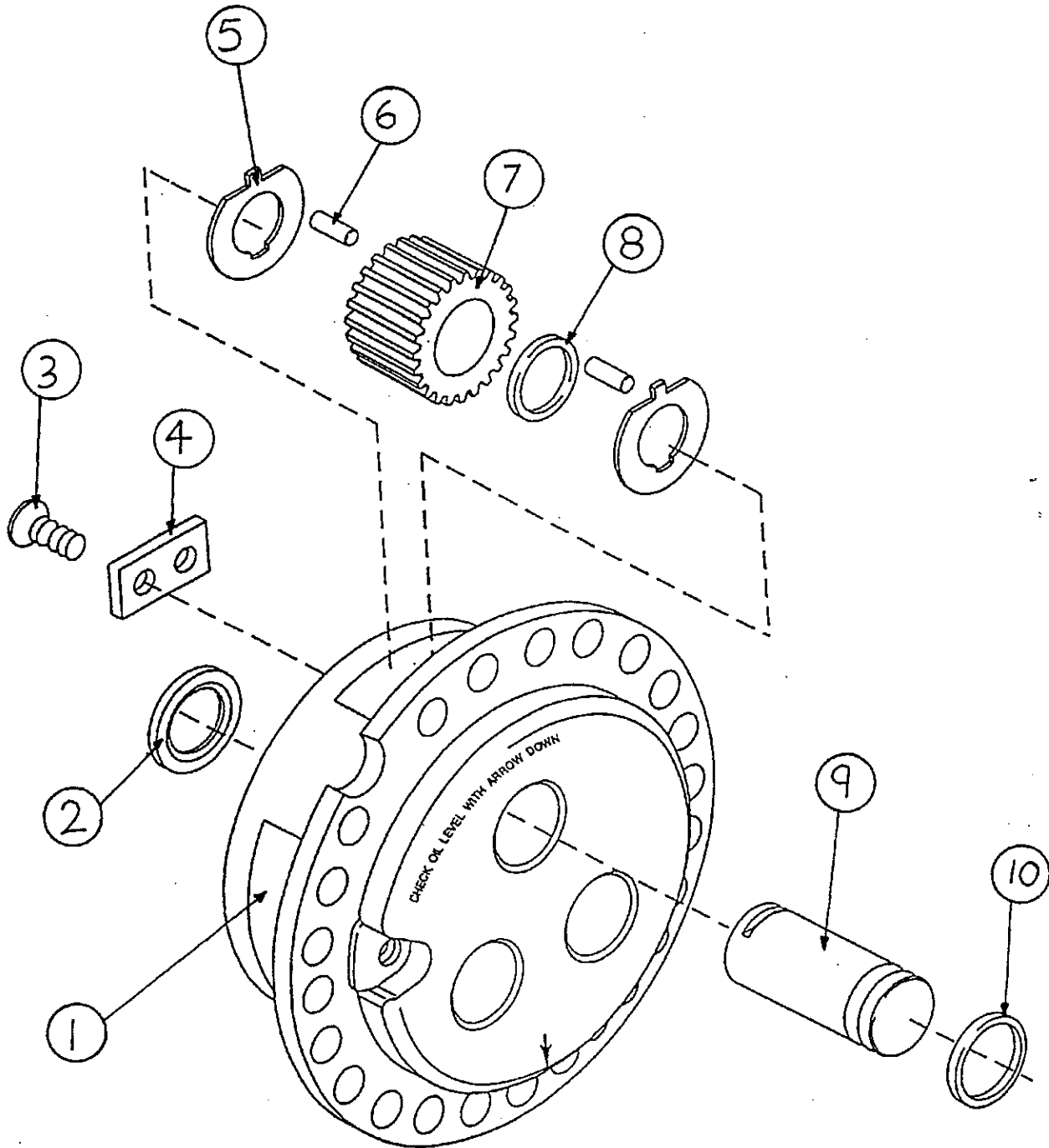
Illustration

**NO IMAGE PRINTED
AREA LEFT INTENTIONALLY BLANK**

Planet Carrier Assembly **

502865 **

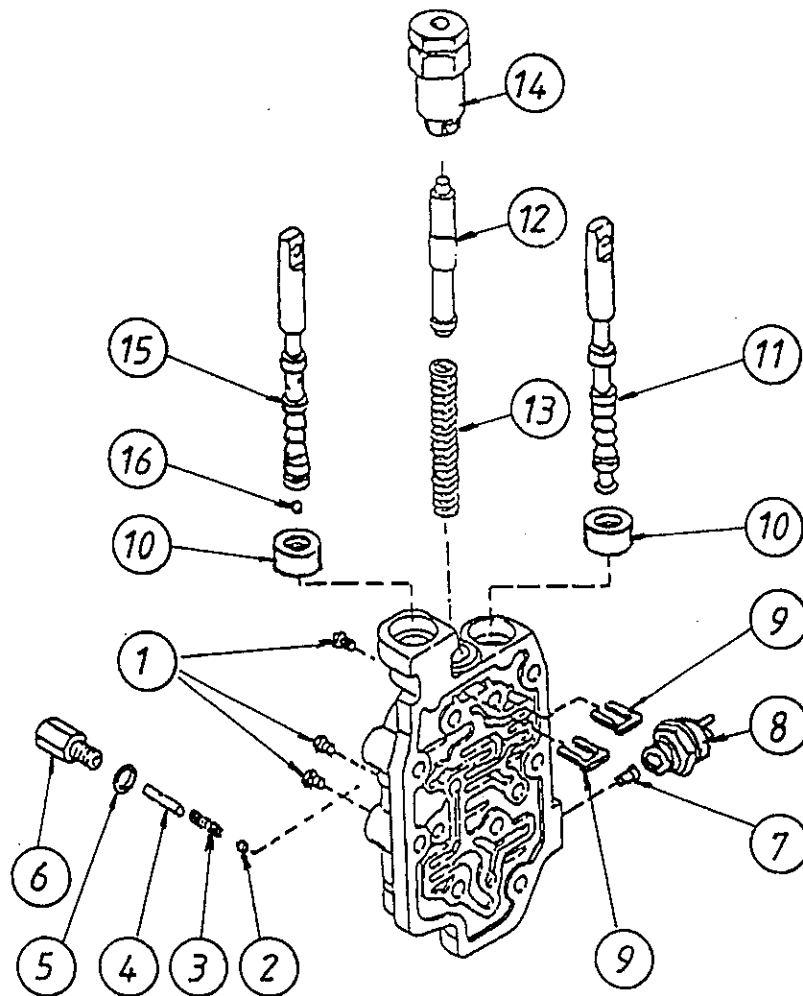
Illustration



Control Valve Housing Assembly **

501333 **

Illustration



CLICK HERE TO **DOWNLOAD** THE COMPLETE MANUAL

- Thank you very much for reading the preview of the manual.
- You can download the complete manual from: www.heydownloads.com by clicking the link below



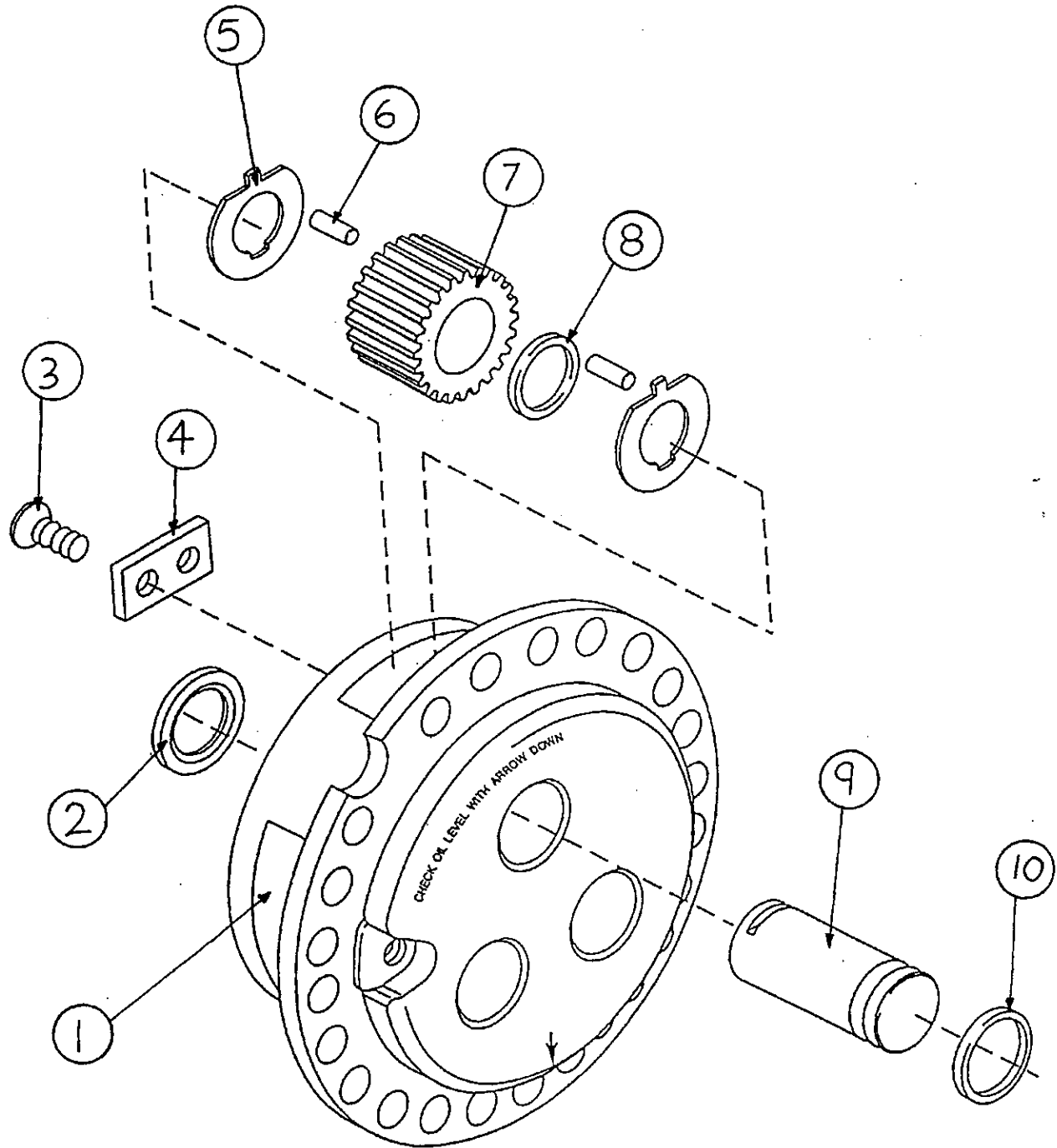
- Please note: If there is no response to CLICKING the link, please download this PDF first and then click on it.

CLICK HERE TO **DOWNLOAD** THE COMPLETE MANUAL

Planet Carrier Assembly **

502865 **

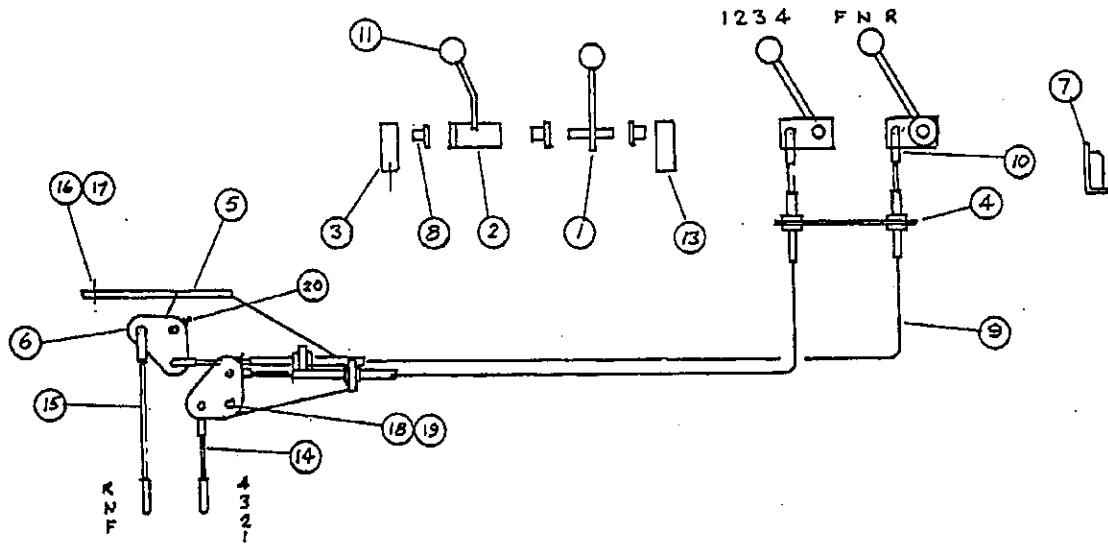
Illustration



Transmission Controls Group

501967

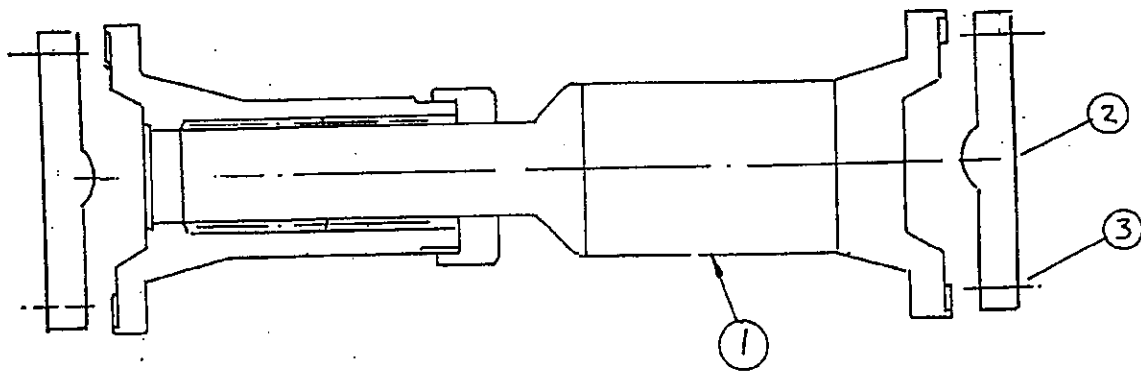
Illustration



Drive Shaft Assembly - Articulation **

502271 **

Illustration



Hydraulic Pumps and Mounting Group

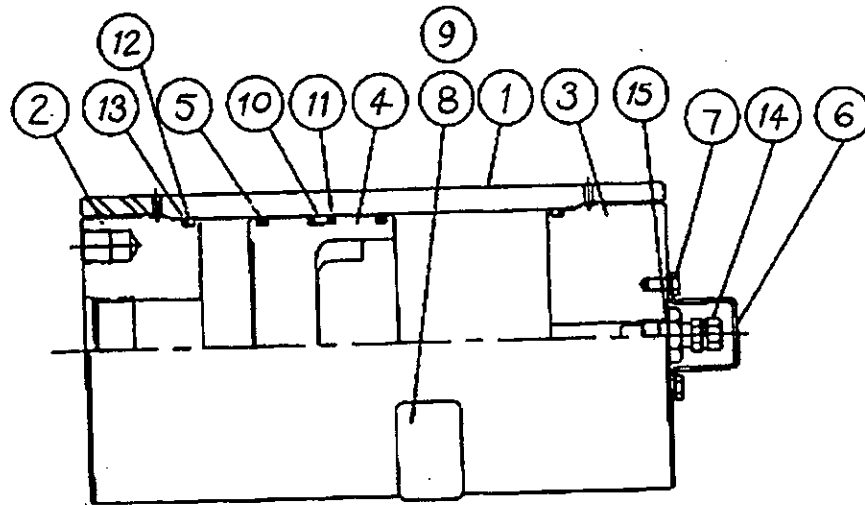
503249

Item	Part Number	Part Name	QTY
1	500125 **	Main Pump **	1
2	503361	Steer & Brake Pump	1

Accumulator 5.7 Litre, Steering **

500124 **

Illustration



Tilt Cylinders & Mounting Group

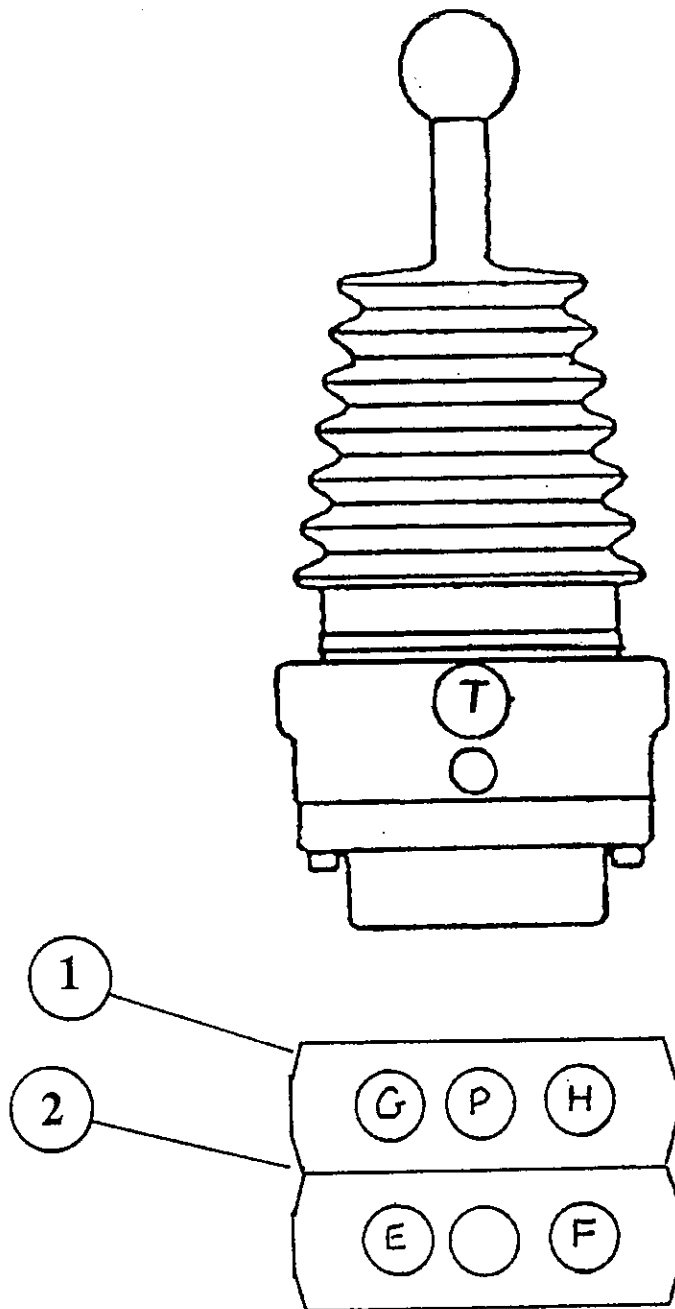
503477

Illustration

Control Valve RAS Attachments **

500128 **

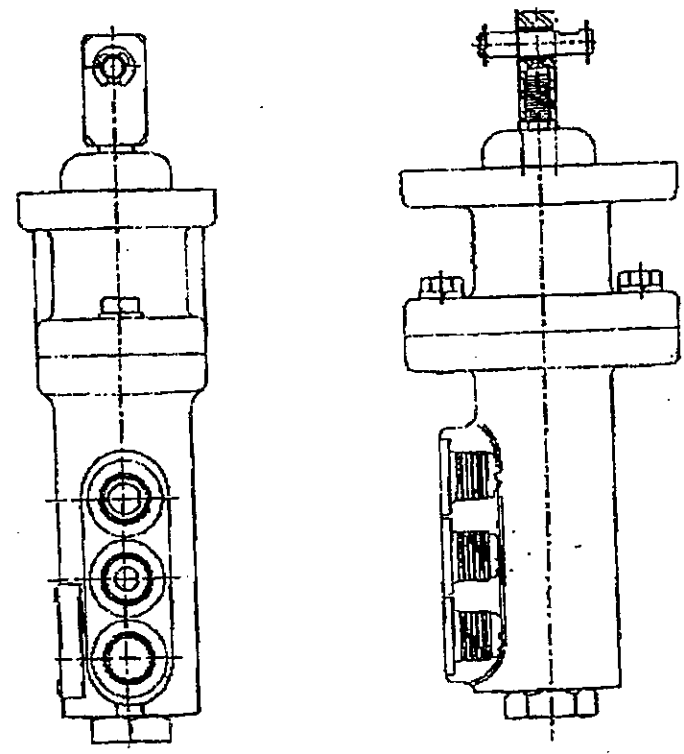
Illustration



Brake Valve **

500139 **

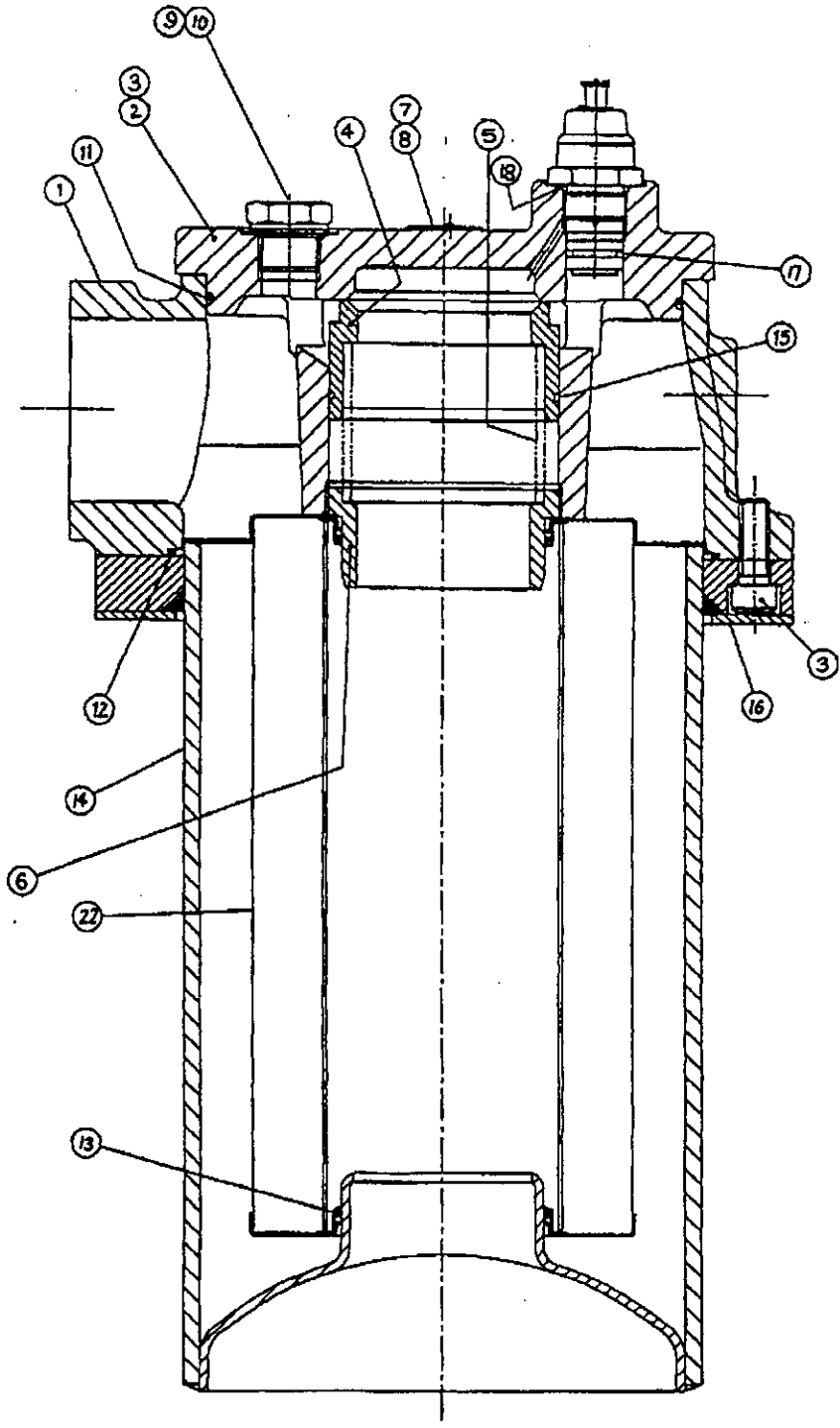
Illustration



Return Filter **

500122 **

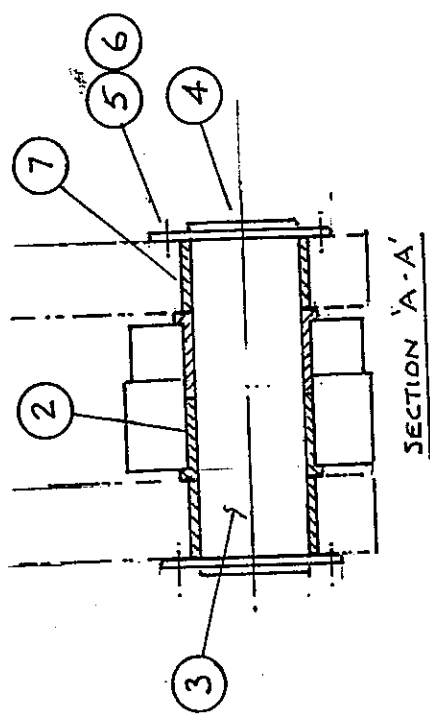
Illustration



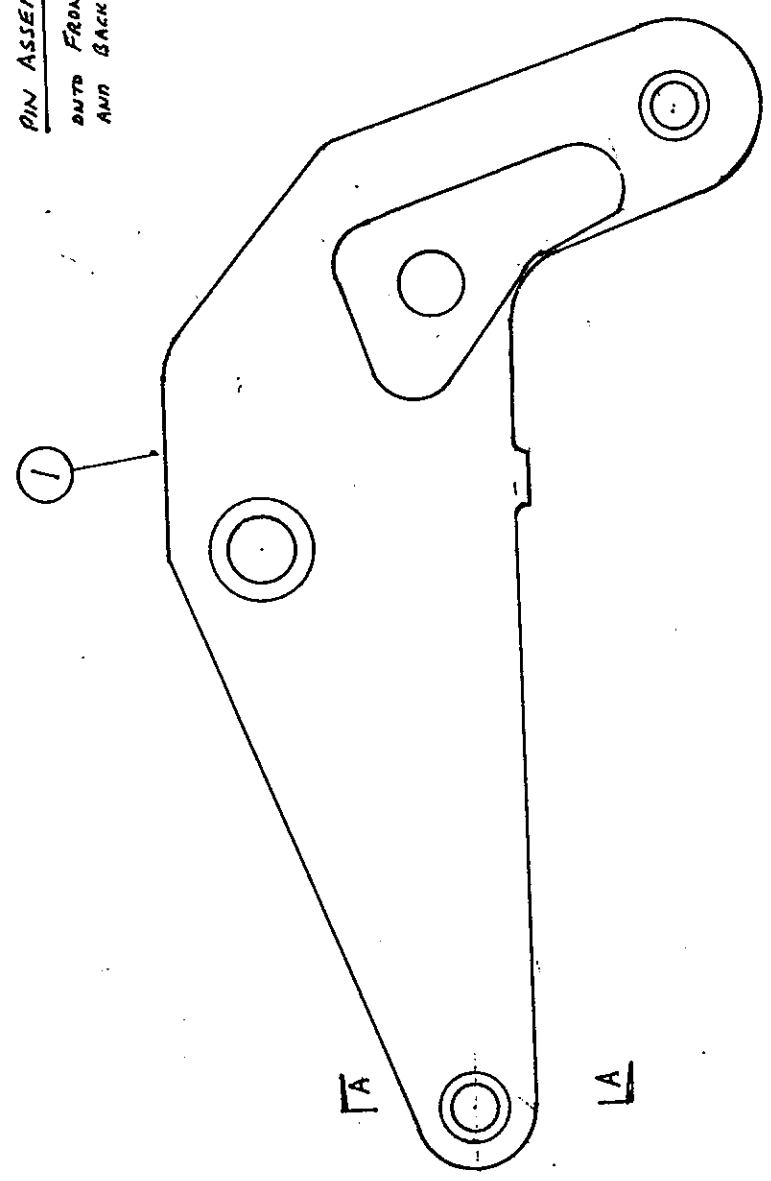
Instrument Panel Group

503479

Item	Part Number	Part Name	QTY
1	500429	Gauge Transmission Temperature	1
2	500430	Gauge Engine Temperature	1
3	500431	Gauge Engine Oil Pressure	1
4	500432	Gauge Brake and Steering Pressure	2
5	501548	Gauge Brake Head Pressure	1
6	500433	Gauge Air Pressure	1
7	500434	Valve R.A.S. Unlock	1
8	500435	Valve Horn	1
9	500436	Switch On - Off	1
10	500437	Valve Start	1
11	500438	Valve Park Brake	1
12	503415	Dash Brake Gauge Cover	1
13	501996	Cover Steering	1
14	503413	Dash Temp/Press Gauge Cover	1
15	503414	Dash Start	1
16	503408	Nameplate Bucket Control	1
17	503506	Nameplate Attachments	1
18	503410	Dash, Transmission	1
19	503411	Nameplate Brake	1
20	503412	Nameplate Brake Instructions	1
21	500353	Dash Assembly	1
22	501997	Mounting Plate Steering, Transmission	1
23	500730	Bracket Bucket Control	1
24	501549	Cover Bucket Control	1
25	501550	Dash Transmission	1
26	501551	Cover Transmission Controls	1
27	B051010425	Bolt, M5 Coarse x 10 Lg GR:12.9 ZN BHSS	45
28	B061004425	Bolt, 3/8 UNC x 1/2 Lg GR:12.9 ZN BHSS	15
29	501592	Indicator	3
30	500439	Valve Roller Cam 3/2	1



PIN ASSEMBLY
OUTS FRONT FRAME
AND BACK PLATE



Covers Group

503481

Item	Part Number	Part Name	QTY
1	502286	Cross Bar	1
2	503508	Rail Engine - LH	1
3	503509	Rail Engine - RH	1
4	503510	Rail Engine Side	1
5	503511	Cover Engine Middle	1
6	503512	Cover Side	1
7	502292	Cover Radiator	3
8	502442	Cover Tunnel	1
9	502443	Cover Transmission	1
10	502444	Cover Transmission	1
11	502445	Catch	1
12	502446	Catch	1
13	503518	Rail Side	1
14	503519	Cover Side	1
15	B121020221	Bolt, 3/4 UNC x 2-1/2 GR:5 ZN HH	4
16	N121223	Nut, 3/4 UNC GR:5 ZN NYLOC	4
17	W21222	Washer, 3/4 Spring ZN	4
18	B101040221	Bolt, 5/8 UNC x 5 GR:5 ZN HH	16
19	N101223	Nut, 5/8 UNC GR:5 ZN NYLOC	16
20	W21032	Washer, 5/8 Hard Flat ZN	16
21	B081024221	Bolt, 1/2 UNC x 3 GR:5 ZN HH	6
22	B081016221	Bolt, 1/2 UNC x 2 GR:5 ZN HH	4
23	B081010221	Bolt, 1/2 UNC x 1-1/4 GR:5 ZN HH	16
24	N081223	Nut, 1/2 UNC GR:5 ZN HEX NYLOC	10
25	W20832	Washer, 1/2 Hard Flat ZN	6
26	W20822	Washer, 1/2 Spring ZN	16
27	B061012221	Bolt, 3/8 UNC x 1-1/2 GR:5 ZN HH	12
28	N061223	Nut, 3/8 UNC GR:5 ZN NYLOC	12

Front Guards Group

502381

Item	Part Number	Part Name	QTY
1	502390	Mud Guard L/H	1
2	502391	Mud Guard R/H	1
3	502392	Clamp Strip - Guards	4.
4	502393	Clamp Strip - Guards	2
5	502394	Clamp Strip - Guards	2
7	502396	Flap - Guard	2
8	500491	Tow Link	1
9	500457	Linch Pin	2
10	500458	Chain	2
11	B121020221	Bolt, 3/4 UNC x 2-1/2 GR:5 ZN HH	6
12	B121028221	Bolt, 3/4 UNC x 3-1/2 GR:5 ZN HH	14
13	N121221	Nut, 3/4 , UNC, GR 5, ZN, STANDARD	14
14	W21222	Washer, 3/4 Spring ZN	20
15	B082016221	Bolt, 1/2 UNF x 2 GR:5 ZN HH	28
17	N081223	Nut, 1/2 , UNC, GR 5, ZN, HEX, NYLOC	28
18	W20812	Washer, 1/2 Flat ZN	28

CLICK HERE TO **DOWNLOAD** THE COMPLETE MANUAL

- Thank you very much for reading the preview of the manual.
- You can download the complete manual from: www.heydownloads.com by clicking the link below



- Please note: If there is no response to CLICKING the link, please download this PDF first and then click on it.

CLICK HERE TO **DOWNLOAD** THE COMPLETE MANUAL