



EM025101

May 2016

Parts Manual

495HF Electric Rope Shovel

141207

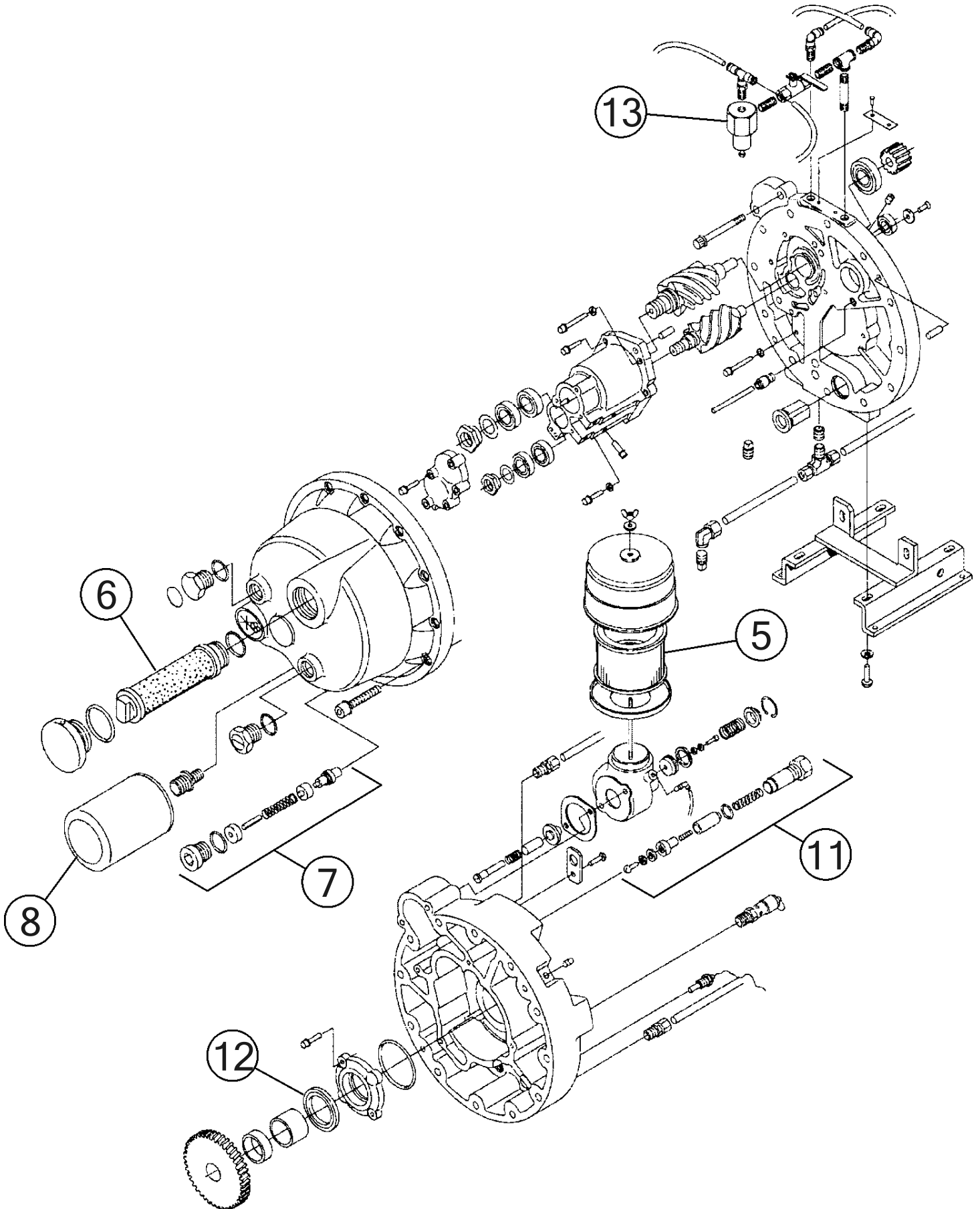
CLICK HERE TO **DOWNLOAD** THE COMPLETE MANUAL

- Thank you very much for reading the preview of the manual.
- You can download the complete manual from: www.heydownloads.com by clicking the link below



- Please note: If there is no response to CLICKING the link, please download this PDF first and then click on it.

CLICK HERE TO **DOWNLOAD** THE COMPLETE MANUAL



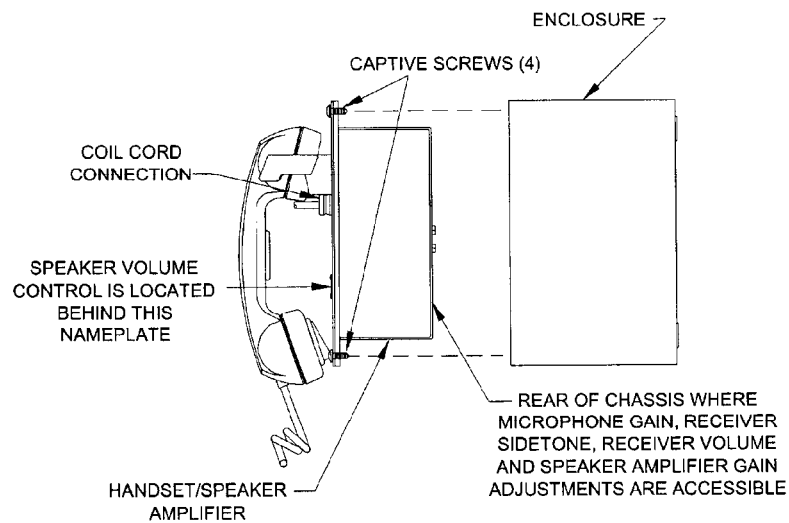
Bucyrus International, Inc.

Item	Qty	Part Number	Part Description	Go To Page
		12251804	HEATER ASSEMBLY	
1	1	62046171	· FAN & MOTOR	
2	1	62046174	· SWITCH, CUTOUT, OVERTEMP	
3	6	62034079	· BAR, HEATER	
4	1	62046172	· CONTACTOR, MAGNETIC	
5	1	62046173	· TRANSFORMER	

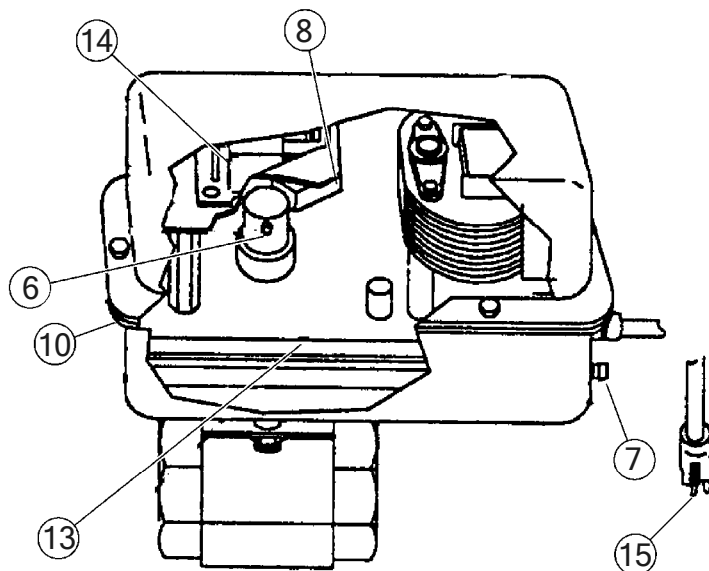
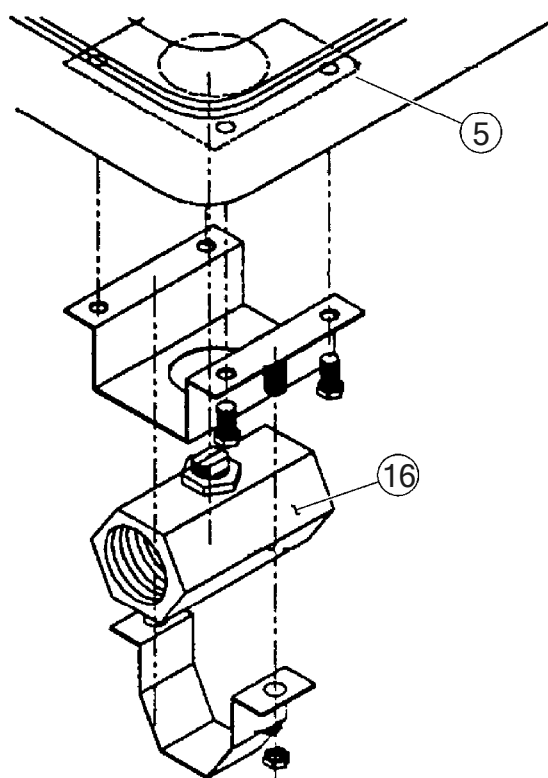
Bucyrus International, Inc.

Item	Qty	Part Number	Part Description	Remarks	Go To Page
		12550231	PANEL, RIO CROWD, SWING 1	CROWD PLC RACK	
1	1	62046068	· POWER SUPPLY	24VDC, 10AMP	
2	1	62043481	· SIMATIC DP	INTERFACE ET200M	
3	1	62048859	· INPUT MODULE	16PTS, 120/230 VAC	
4	1	62039589	· DIGITAL OUTPUT MODULE	16 OUTPUTS, 120VAC	
5	1	12325196	· DIGITAL INPUT	OPTICALLY ISOLATED 16DI	
6	1	62046076	· RTD INPUT MODULE	8 CHNL S73/ET	
7	1	62048869	· SINEC L2 BUS CONNECTOR W/PROG.SOCKET		
8	1	12325202	· RACK, MOUNTING	482MM	
9	3	12325203	· SIMATIC S7, FRONT CONN	20-PIN, SCREW	
10	1	62044442	· CONNECTOR, FRONT	40-POLE FOR S7	
11	1	62040266	· CLIP, BUS SHIELD		
12	2	62040267	· SHIELD CONNECTING TERMINAL	3-8 MM DIAM.	
13	1	62047670	· LABEL, ADDRESS	CROWD ET200 RACK, HP	
14	1	62047671	· ENCLOSURE, WALL-MOUNT		
15	1	62047672	· PANEL, WALL-MOUNT ENCLOSURE		
16	1	62047673	· KIT, MOUNTING FOOT		
17	1	62046177	· HEATER, ELECTRIC	115VAC, 200W, 1.7A	
18	1	62031518	· THERMO, SNAP DISC	32 DEG. F	
19	1	62043467	· THERMOSTAT, SNAP DISC	OPEN 122 F	
20	2	62047674	· STANDOFF, ISOLATOR		
21	1	62047675	· THERMOSTAT, BUSBAR		
22	1	62047676	· PROTECTION, THERMOSTAT		
23	100	62043825	· TERM BLK	600VAC, 35A,1P, 18-10GA	
24	10	62043829	· TERMINAL END RETAINER		

REF. ZPCA

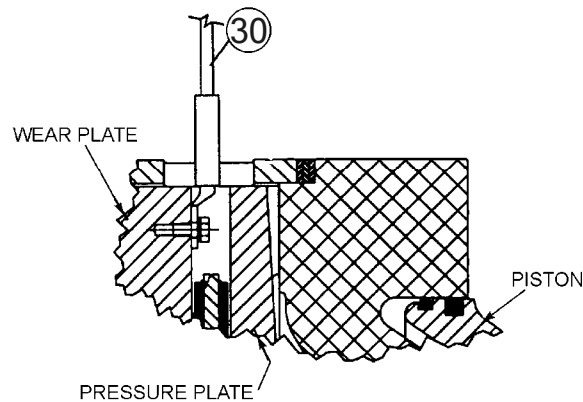
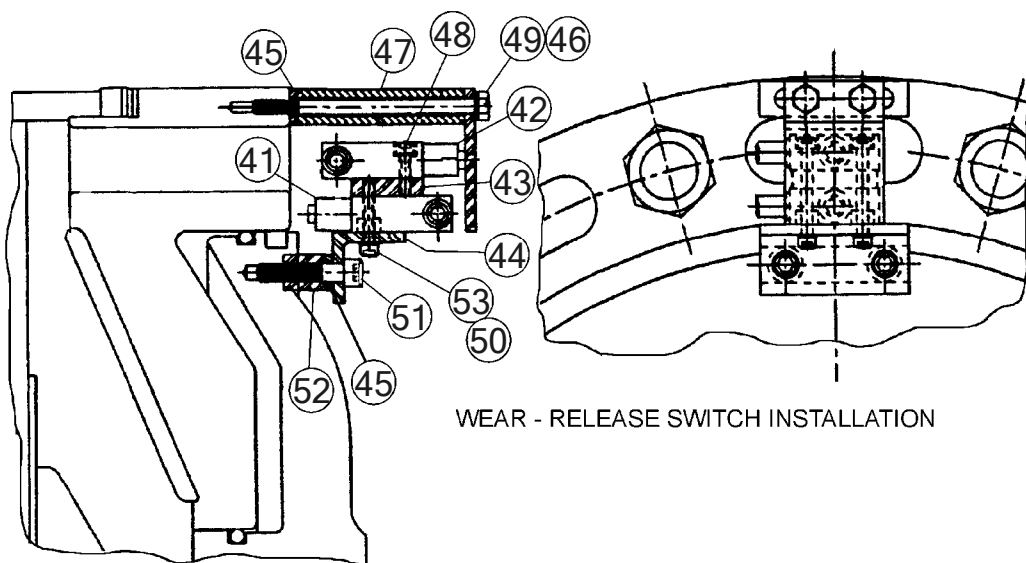
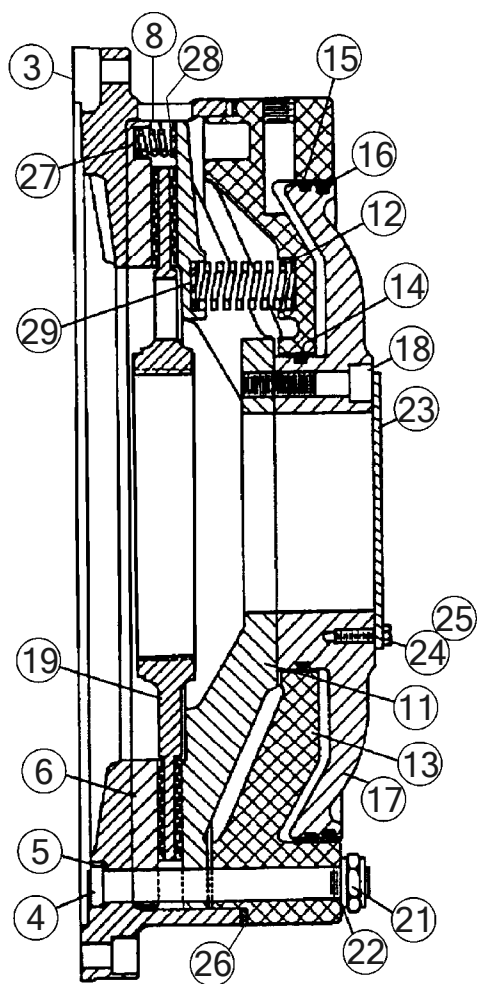


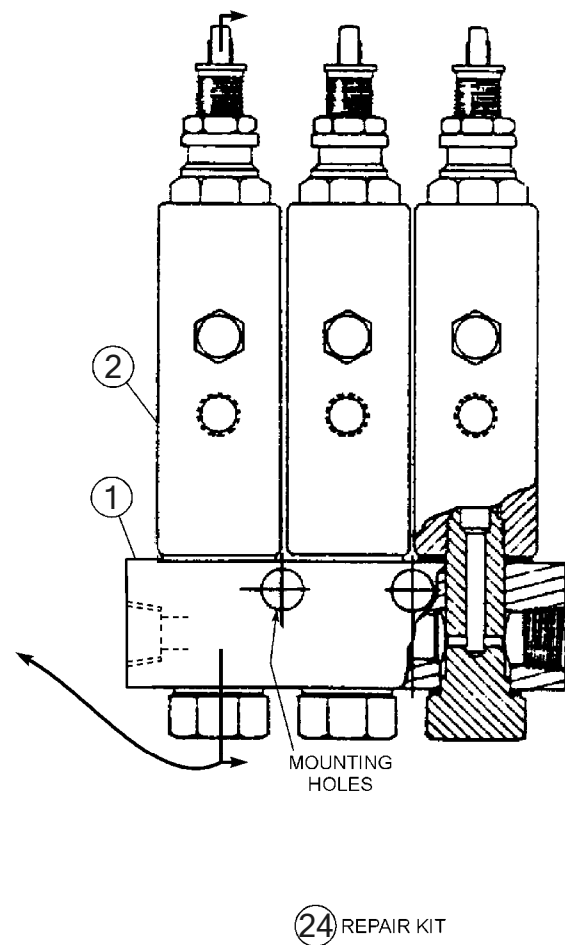
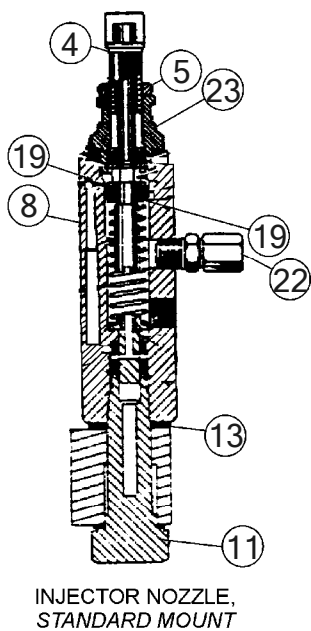
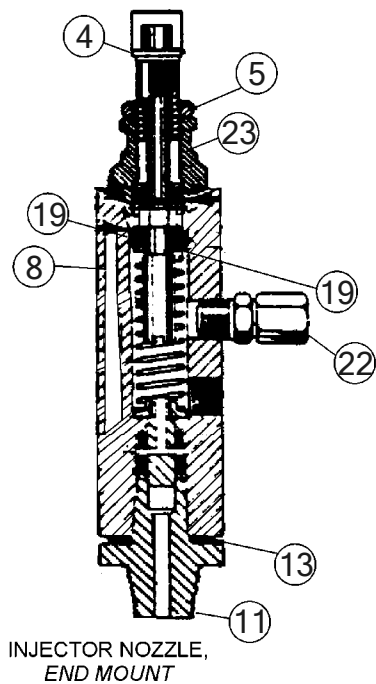
- | | |
|-----------------------------|------------------------------|
| ① HANDSET ASSY | ⑦ XFMR/CONN SUBASSY |
| ② RECEIVER CAP | ⑧ CAP & CHAIN ASSY |
| ③ DYNAMIC TRANSMITTER & CAP | ⑨ CELL GASKET |
| ④ PRESSBAR SWITCH KIT | ⑩ CABLE, MAINTENANCE, 16-PIN |
| ⑤ 25 FT PVC CORD & BUSHING | ⑪ HARNESS ASSY |
| ⑥ PCBA | |

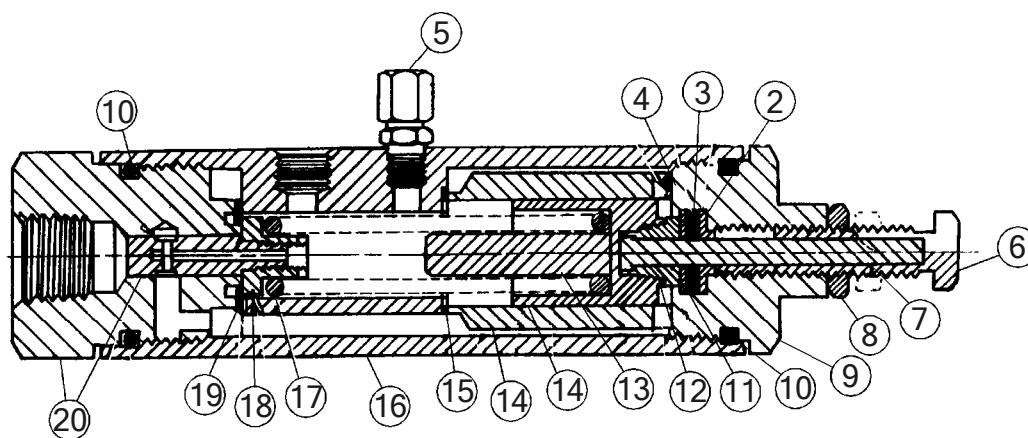


THE FOLLOWING ITEMS ARE NOT SHOWN

② ①⑦





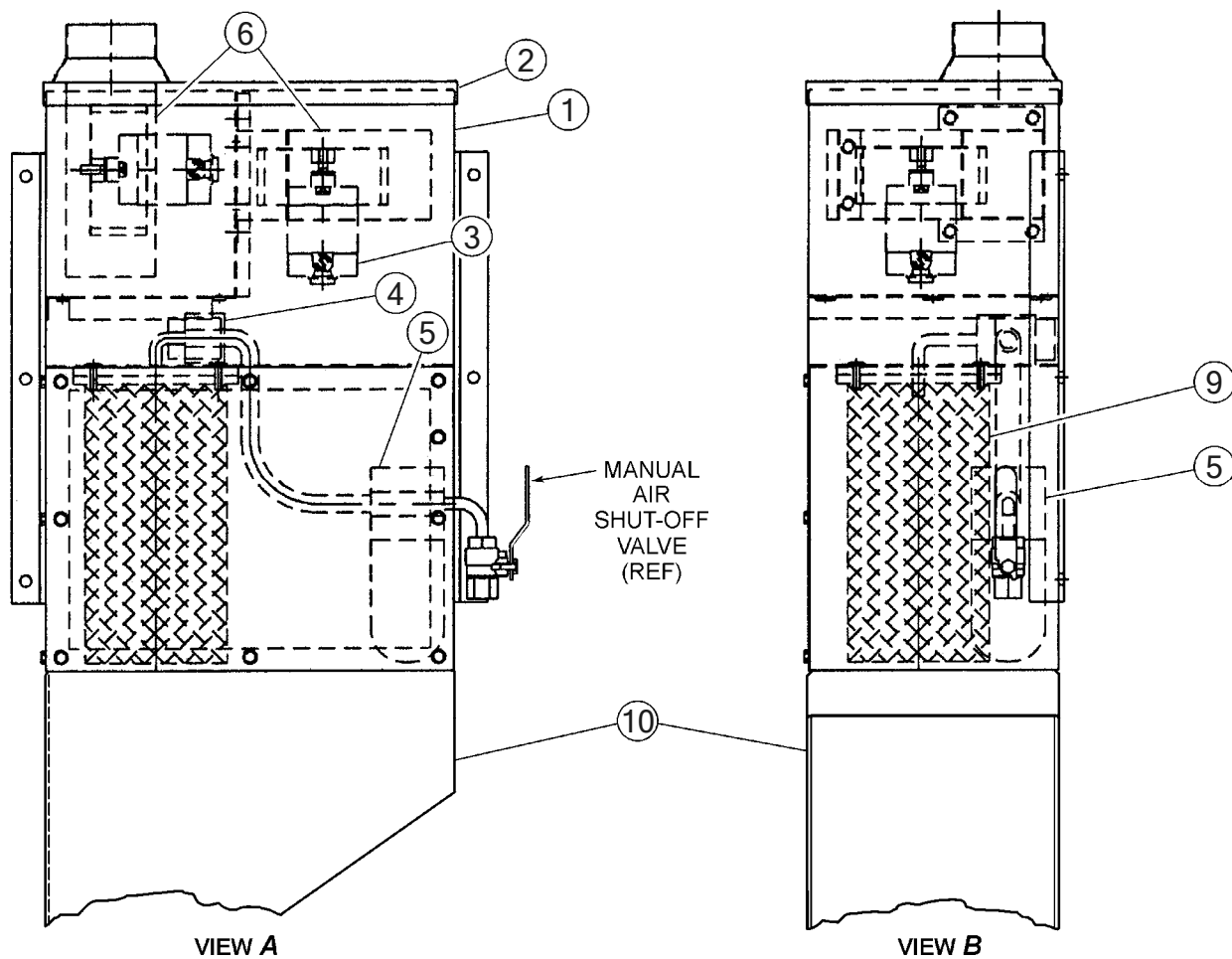


① INJECTOR NOZZLE COMPLETE

Bucyrus International, Inc.

Item	Qty	Part Number	Part Description	Remarks	Go To Page
1	1	62050100	KIT,PLUMBING,SWING UNIT	KIT INCLUDES ITEMS AS LISTED BELOW	
2	2	62050101	· BUSHING,REDUCING		
3	2	62050102	· COUPLING		
4	1	62050103	· PIPE,OIL		
5	1	62050104	· TEE		
6	1	62050105	· BUSHING,REDUCING		
7	1	62050106	· COUPLING		
8	1	62050107	· BUSHING,REDUCING		
9	1	62050108	· NIPPLE		
10	2	62050109	· BUSHING,REDUCING		
11	1	62050110	· ELBOW		
12	1	62050111	· ELBOW		
13	2	62050112	· PIPE	SPECIFY CORRECT LENGTH OF PIPE	
14	2	62050113	· BUSHING,REDUCING		
15	1	62050114	· BUSHING,REDUCING		
16	1	62050115	· BUSHING,REDUCING		
17	1	62050116	· BUSHING		
18	1	62050117	· ELBOW		
19	2	62050118	· PIPE		
20	1	62050119	· PIPE		
21	1	62050120	· NIPPLE		
22	1	62050121	· COUPLING		
23	1	62050122	· COUPLING		
24	1	62050123	· CLAMP,PIPE		
25	1	62044433	DIPSTICK		
26	1	62044434	RING,DIPSTICK		

☆ *NOTE:*
APPEARS IN P/S 82330301 AS ITEM 708 AND 709.



Bucyrus International, Inc.

Item	Qty	Part Number	Part Description	Remarks	Go To Page
230	1	62047939	· COVER, BEARING		
233	1	62047940	· HOLDER, SHEET METAL		
233A	1	62047941	· HOLDER, SHEET METAL		
234	1	★ 62045073	· SEAL, SHAFT		
235	1	★ 62045073	· SEAL, SHAFT		
238	8	62047928	· SCREW, HEX		
239	12	★ 62047942	· SCREW, HEX		
240	3	★ 62044409	· RING, SNAP		
243	1	62047940	· HOLDER, SHEET METAL		
243A	1	62047941	· HOLDER, SHEET METAL		
244	1	★ 62045073	· SEAL, SHAFT		
245	1	★ 62045073	· SEAL, SHAFT		
248	8	62047928	· SCREW, HEX		
249	12	★ 62047942	· SCREW, HEX		
250	2	★ 62045074	· BEARING, ROLLER		
252	1	★ 62045075	· BEARING, ROLLER		
253	6	★ 62045076	· BEARING, ROLLER		
254	1	★ 62047943	· BEARING		
255	1	★ 62045075	· BEARING, ROLLER		
260	1	62047944	· COVER, BEARING		
261	1	★ 62047945	· RING, SNAP		
262	1	★ 62047945	· RING, SNAP		
263	1	★ 62047946	· RING		
264	1	★ 62047946	· RING		
269	12	★ 62047947	· SCREW, HEX		
280	1	62047939	· COVER, BEARING		
300	1	☆ 62045079	· SHAFT, PINION		
302	1	☆ 62045080	· SHAFT, PINION		
340	1	62047948	· COVER, BEARING		
349	12	★ 62047949	· SCREW, HEX		
350	1	★ 62045081	· BEARING, ROLLER		
352	1	★ 62045081	· BEARING, ROLLER		
357	1	★ 62047950	· RING, SNAP		
358	1	☆ 62047951	· SCREW, END		
359	6	★ 62047949	· SCREW, HEX		
400	1	☆ 62045082	· SHAFT		
402	1	☆ 62045083	· GEAR WHEEL		
440	1	62047952	· COVER, BEARING		
449	8	★ 62043020	· SCREW, HEX		
450	1	★ 62045084	· BEARING, ROLLER		
452	1	★ 62045084	· BEARING, ROLLER		
500	1	62044377	· THERMOMETER, RTD		
890	1	62047953	· THERMOMETER, RESISTANCE		
<i>SERVICE KITS:</i>					
950	1	62050143	KIT,REBUILD-OIL SEAL		
955	1	★ 62047791	KIT,REBUILD-LEVEL I	COMPLETE SET OF BEARINGS, SEALS & HDWR	
960	1	☆ 62049977	KIT,REBUILD-LEVELII	COMPLETE SET OF SHAFTS, GEARS, PINIONS & HDWR	

Bucyrus International, Inc.

Item	Qty	Part Number	Part Description	Remarks	Go To Page
		82637952	SUPERBOLT, EXPANSION	1.500 x 4.375 TO 5.250 VARIABLE CLAMPED LENGTH	
1	1	62043270	· STUD	1.000-8 x 8.645	
2	1	62043271	· SLEEVE, TAPERED SPLIT	1.062	
3	1	62043272	· WASHER	1.020	
4	1	62043273	· WASHER	1.020	
5	2	62043274	· NUT	1.000-8	
6	12	62043275	· JACKBOLT,PINTLE	0.3125-24	

Bucyrus International, Inc.

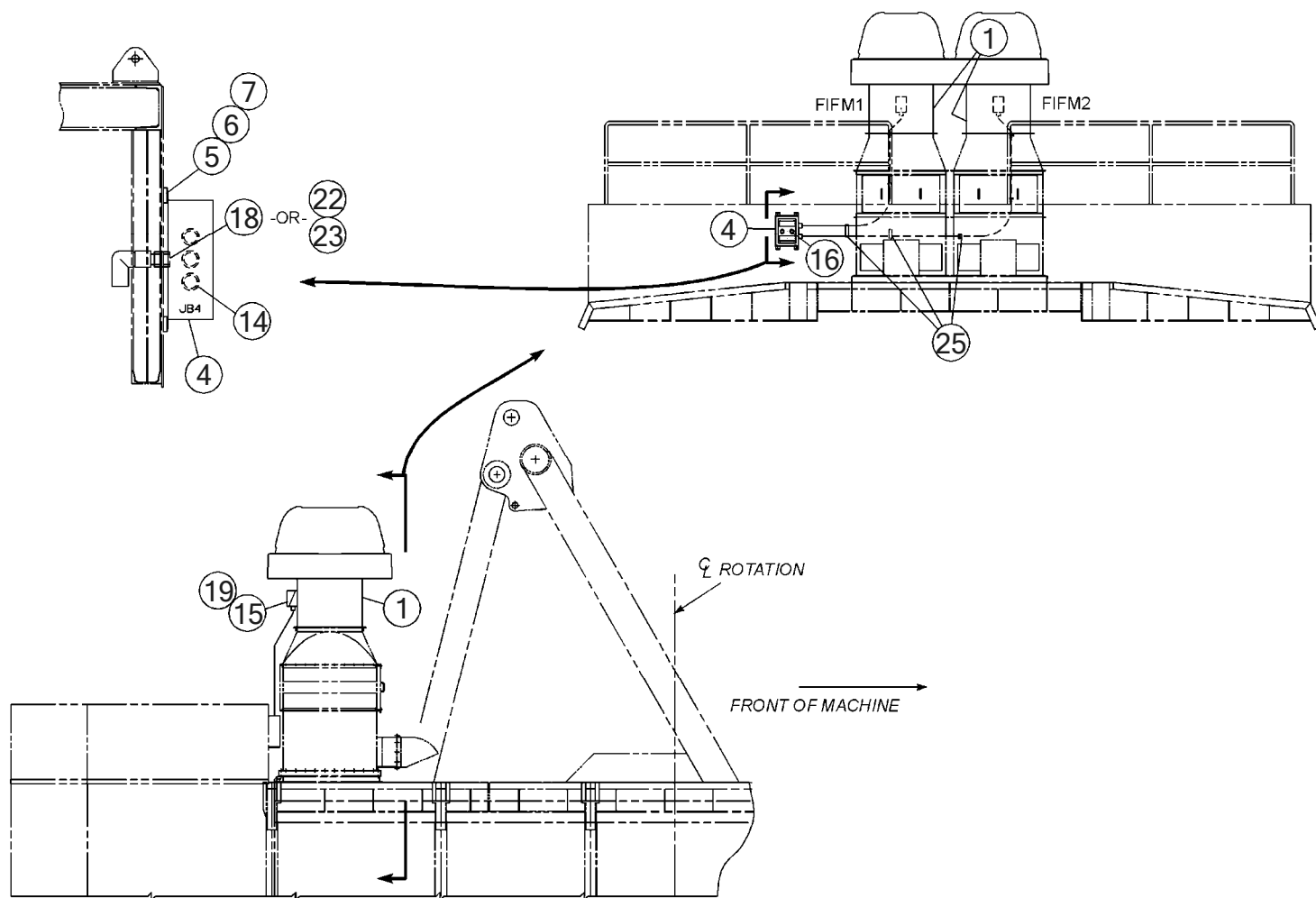
Item	Qty	Part Number	Part Description	Go To Page
		C108038-01	COLL. RING SHOE ASM, LUBED	
1	1	504837-02	· SHOE,COLL.RING,LUBED FLAT	
2	1	732605-01	· SUPPORT,COLLECT RING SHOE	
3	1	75369010	· SPRING	
4	1	17144550	· CONNECTOR,360 AMP RATED	
5	2	504825K1	· PIN,SUPPORT,ROUND,.438x3	
6	2	03109960	· PIN,COTTER,.125x2	
7	1	03961500	· WASHER,LOCK,.5,HVY	
8	1	03285245	· SCR,HEX,.5x.75,UNC,GR 5	

Bucyrus International, Inc.

Item	Qty	Part Number	Part Description	Remarks	Go To Page
		C118099-VG01	HEATER ASSEMBLY		
1	1	12251804	· HEATER ASSEMBLY, W THERM	10KW, 600V, 60HZ, 3P	12251804
3	4	03285320	· SCR, HEX	0.5 x 1, UNC, GR 5	
4	4	03961500	· WASHER, LOCK	0.5, HVY	
5	4	03951600	· WASHER, FLAT	0.5	
6	4	02711050	· NUT, HEX, FULL	0.5, UNC	

Bucyrus International, Inc.

Item	Qty	Part Number	Part Description	Remarks	Go To Page
		C118298-45	PIN ASSEMBLY,8 INCH		
1	1	C118297-25	· PIN, HARDENED, 8 IN WLDMNT	8" DIA, 17.50 LENGTH	
2	1	C116304-01	· COLLAR, CLAMP		
3	2	03295950	· SCREW, HEX,.75		
4	2	02786485	· NUT, LOCK,.75		
5	1	03304200	· SCREW, HEX,1.25		
6	1	03962210	· WASHER, LOCK,1.25		



Bucyrus International, Inc.

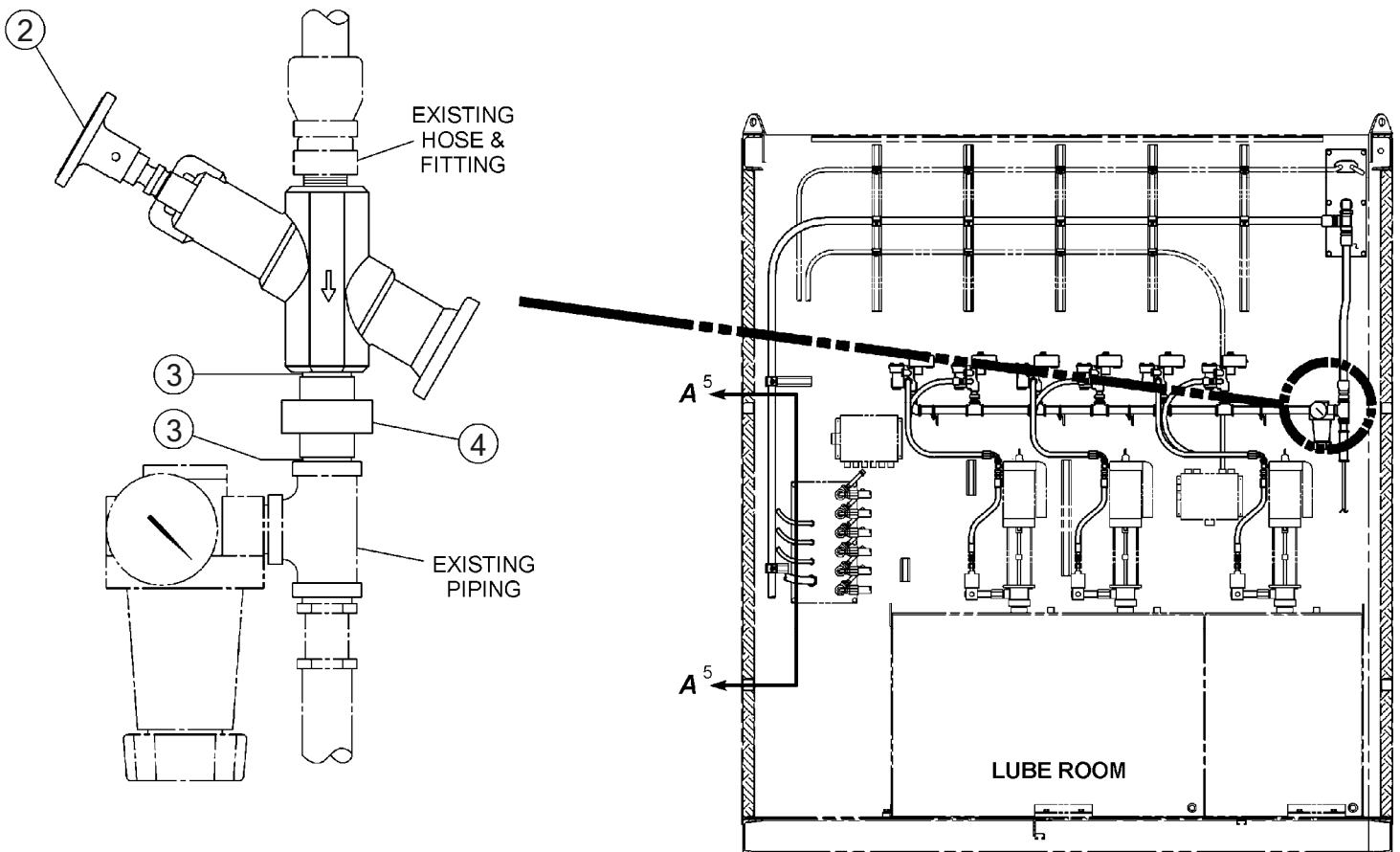
Item	Qty	Part Number	Part Description	Go To Page
		D027258-01	A-FRAME, FRONT LEG, WELDED	
1	1	E021485-01	· A-FRAME, FRONT LEG, WELDED	

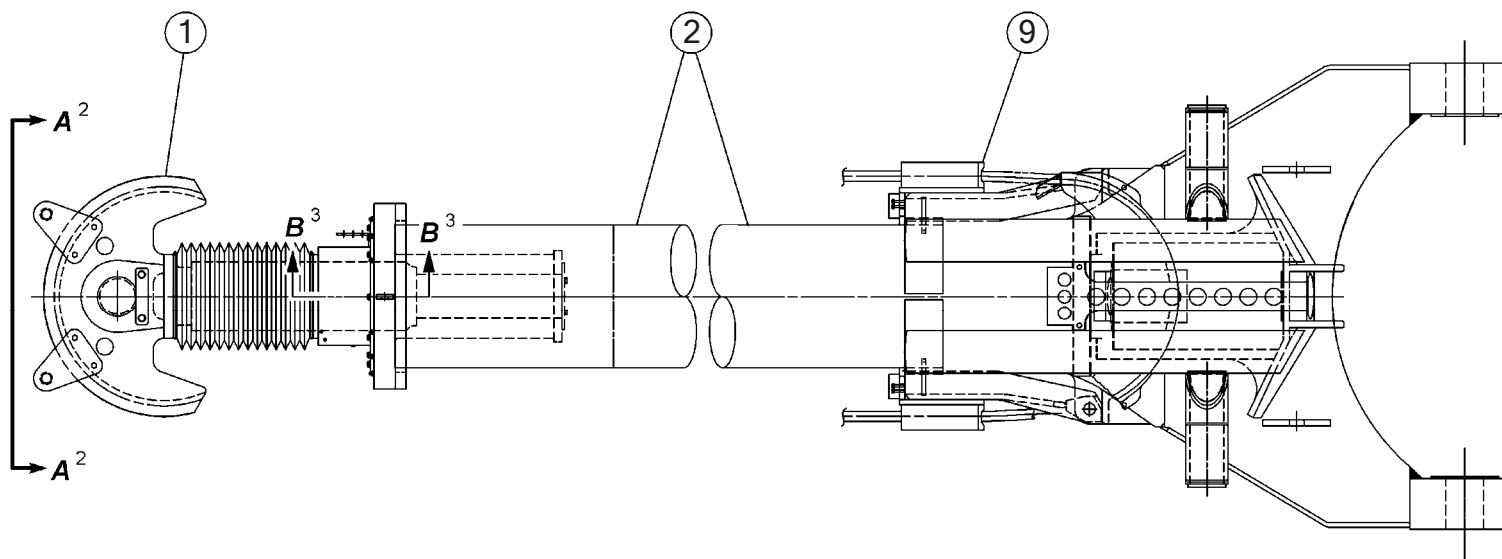
Bucyrus International, Inc.

Item	Qty	Part Number	Part Description	Remarks	Go To Page
		E020743-01	BOLTS, 2ND INTERMEDIATE SHFT		
1	4	B006880-04	· ROD BOLT, ROUND	2.00 x 28.50	
2	4	82637931	· SUPERBOLT TORQUENUT	2.00	
3	4	82637932	· SUPERBOLT FLEXNUT	2.00	
4	8	82637933	· SUPERBOLT WASHER	2.00	
5	1	MP390331	· LUBRICANT	10 OZ	

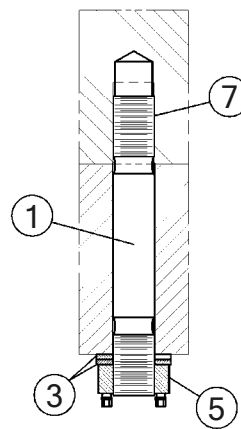
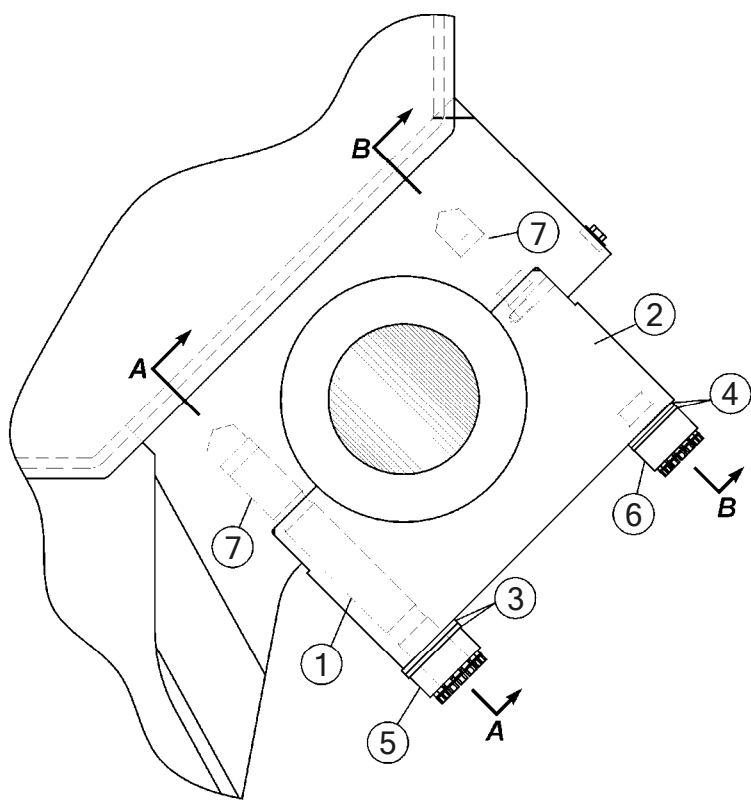
Bucyrus International, Inc.

Item	Qty	Part Number	Part Description	Remarks	Go To Page
		E021166	WIRING MATL, LUBE ROOM		
1	1	12550233	· PANEL, RIO LUBE AIR	ZLU	12550233
12	2	12687198	· SURGE SUPPRESSOR		

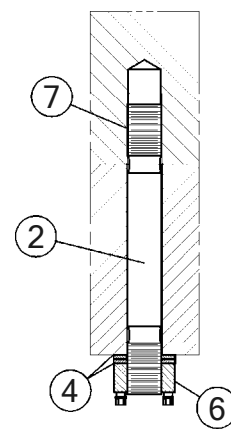




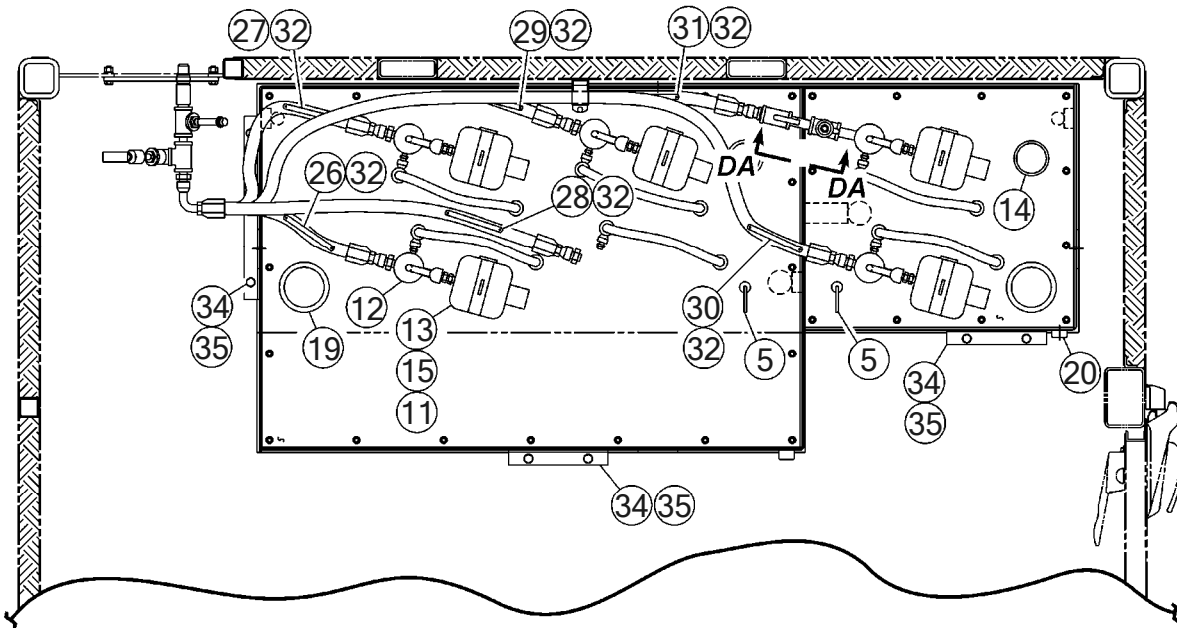
THE FOLLOWING ITEM IS NOT SHOWN (8)



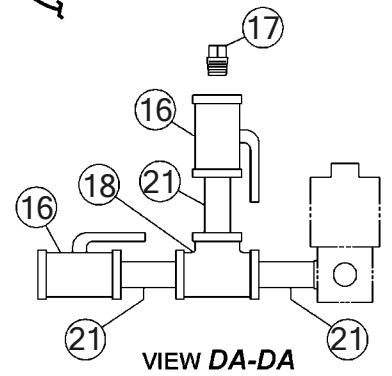
VIEW A



VIEW B



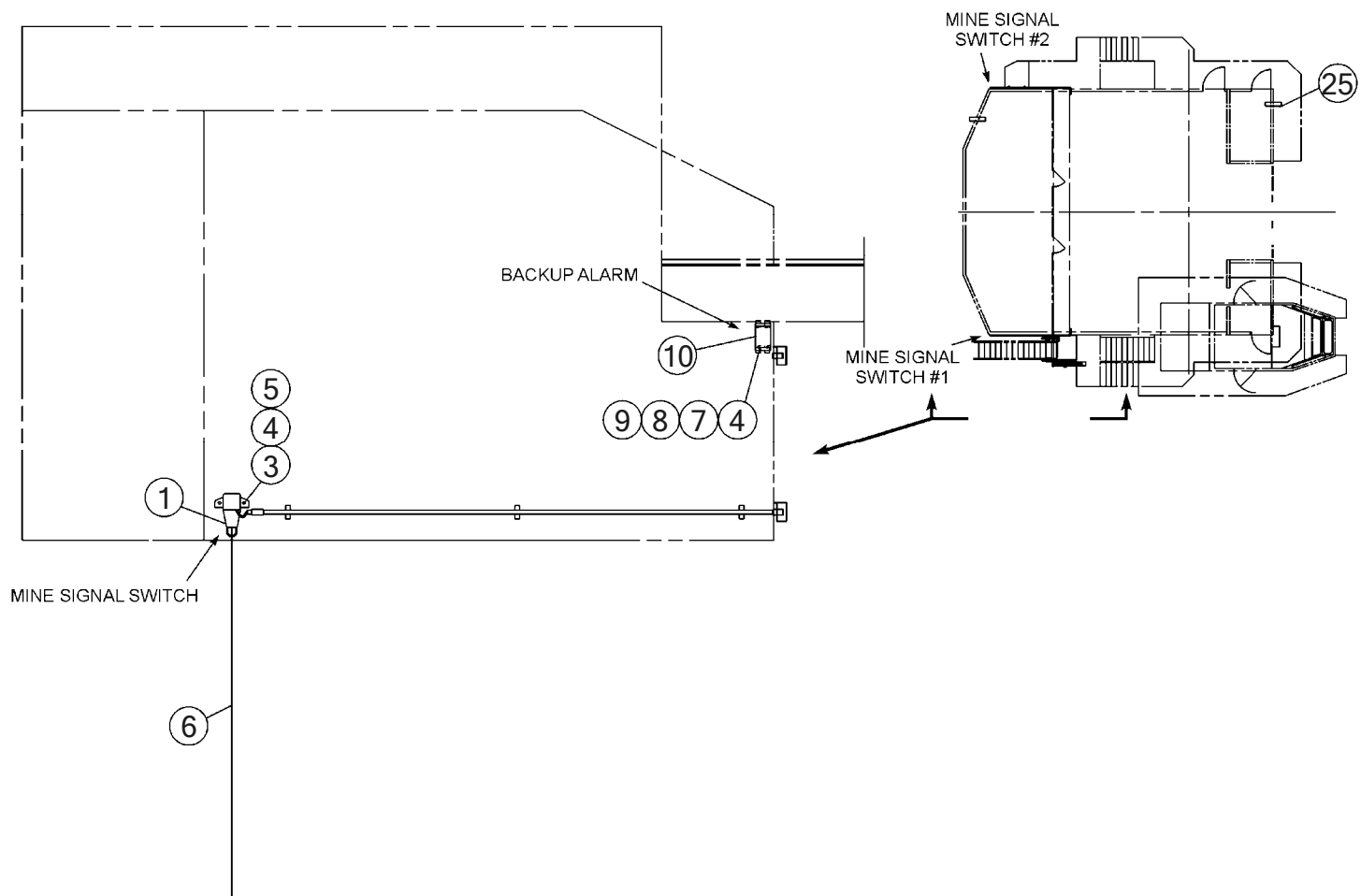
VIEW D-D



VIEW DA-DA

Bucyrus International, Inc.

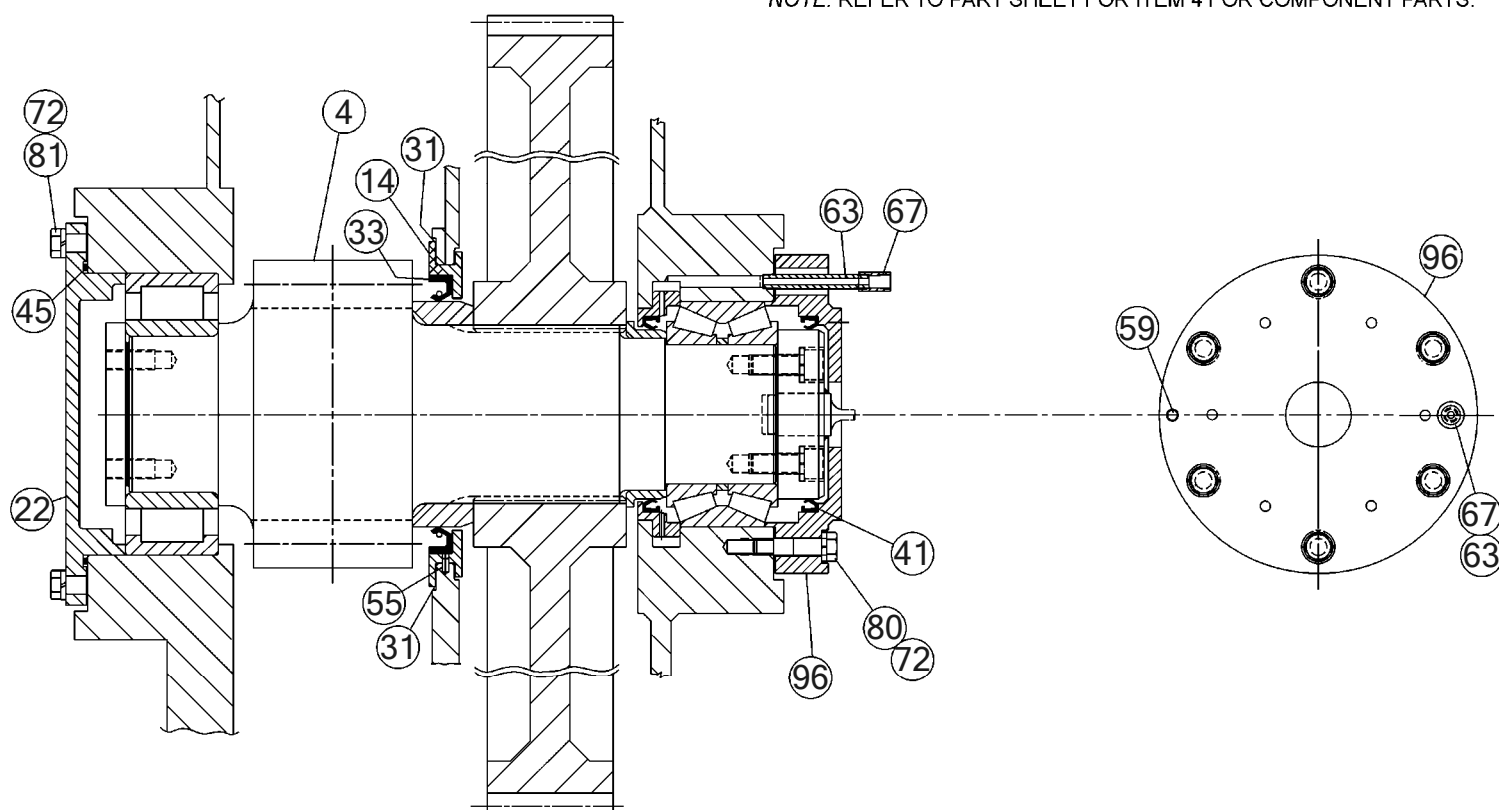
Item	Qty	Part Number	Part Description	Go To Page
		E022957-01	BODY,59YD W/HF LINERS	
1	1	E022938-01	· DIPPER BODY,59YD,WELDED	
2	6	D029128-05	· LINER,PLATE,,.50	
3	1	D029128-06	· LINER,PLATE,,.50	
4	1	D029128-07	· LINER,PLATE,,.50	
5	1	D029128-08	· LINER,PLATE,,.50	
6	1	D029128-09	· LINER,PLATE,,.50	
7	2	D028254-12	· WEARPLATE,DIPPER	
8	1	S007582	· WEARPLATE,DIPPER	
9	6	D029104-15	· PLATE,1.0	
10	6	D029104-16	· PLATE,1.0	
20	1	E022936-02	KEEPER,LATCH	



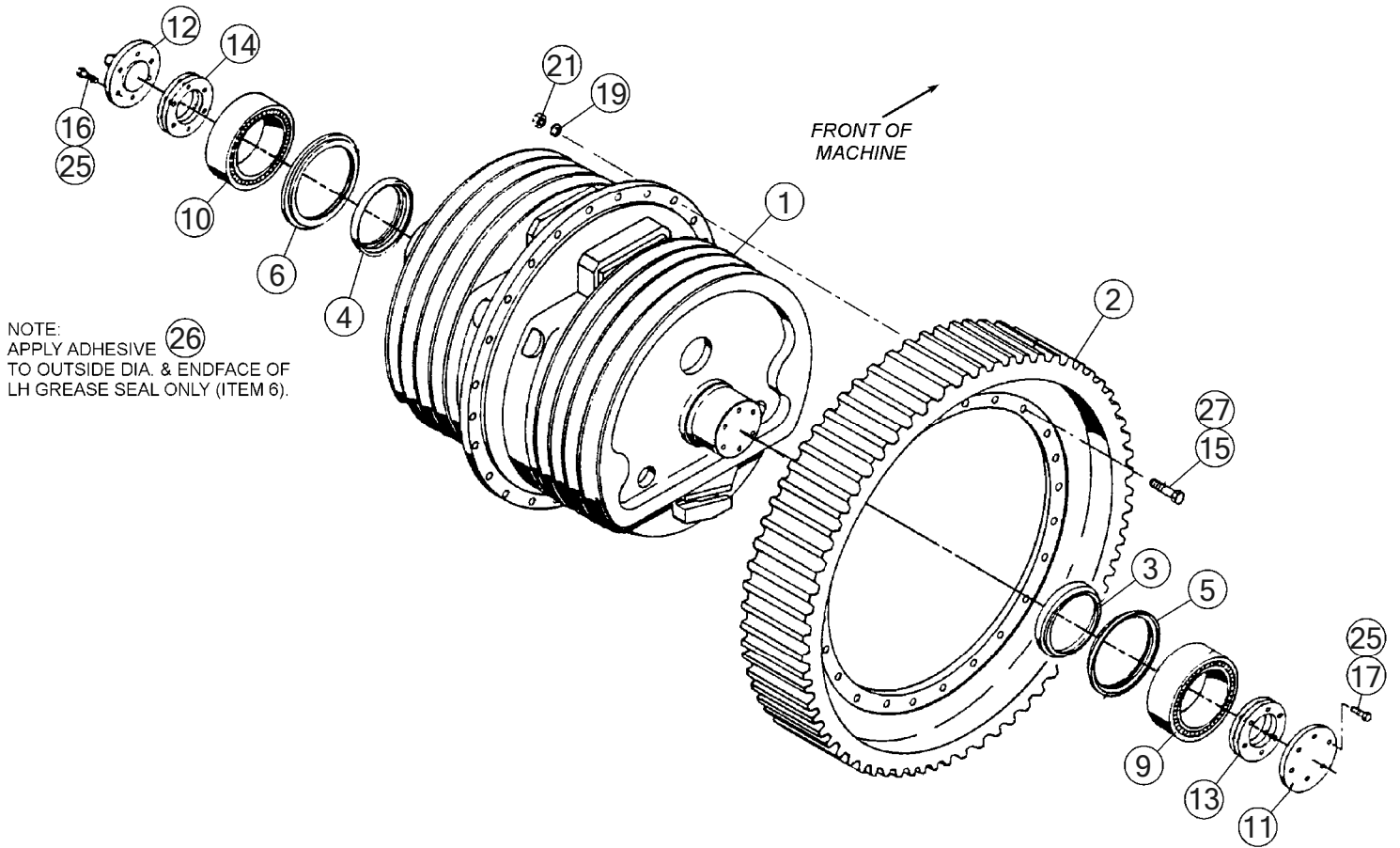
Bucyrus International, Inc.

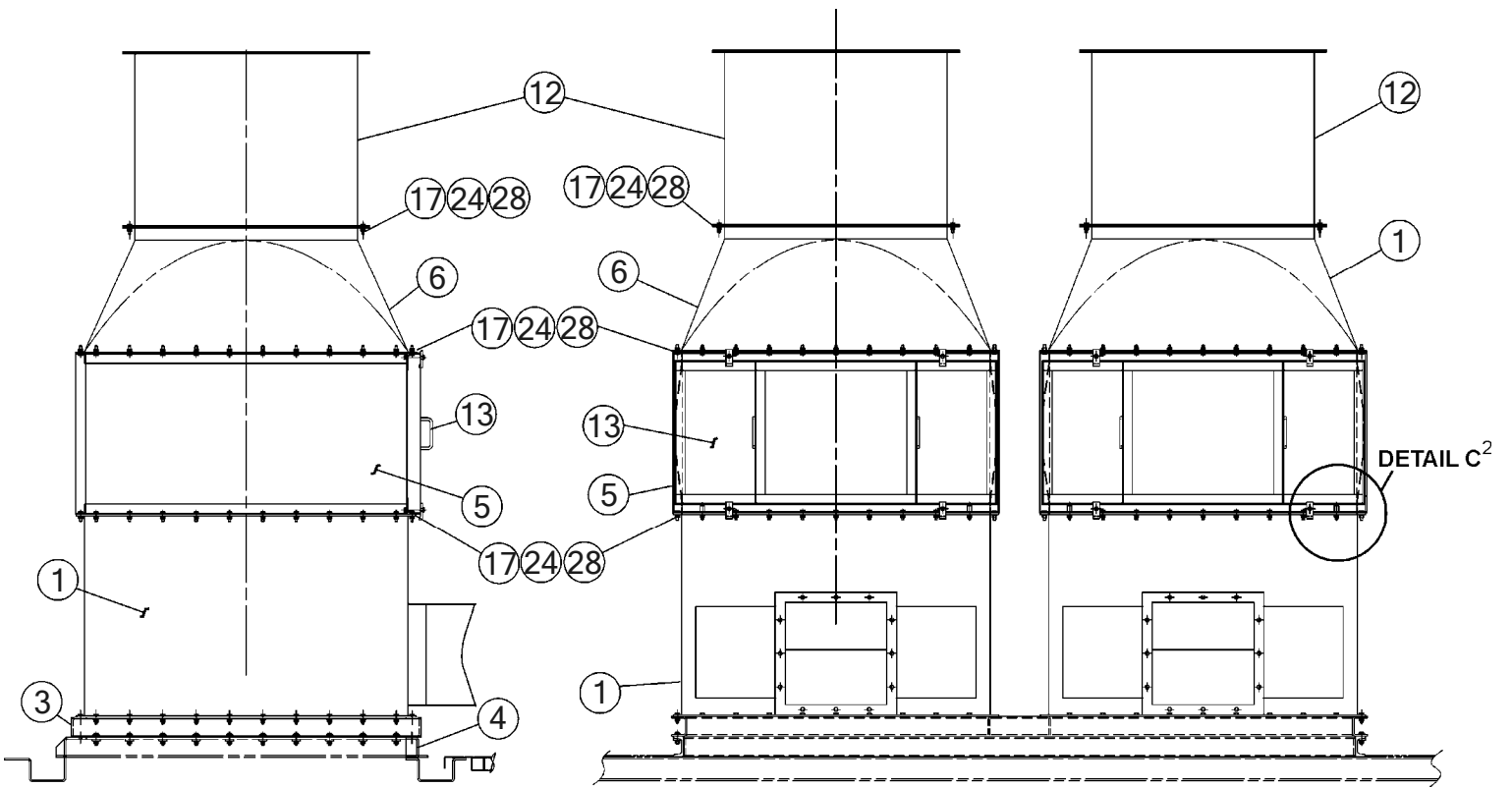
Item	Qty	Part Number	Part Description	Go To Page
		K200063-01	BODY,59YD DIPPER,SHIP ASSY	
1	1	E022957-01	· BODY,59YD, W/HF LINERS	E022957-01
2	8	C118262-01	· SHROUD ASSY, CENTER	C118262-01
3	1	C118263-01	· SHROUDS & HDWE, CORNER	C118263-01
4	1	B008793-01	· INSERT, LATCH KEEPER	
5	2	02786553	· NUT, FLEX LOCK,1.5	
6	2	03489584	· SCREW, SOC HD,1.5	

NOTE: REFER TO PART SHEET FOR ITEM 4 FOR COMPONENT PARTS.



SECTION B-B
 (VIEWED FROM THE REAR
 OF THE MACHINE)





Bucyrus International, Inc.

Item	Qty	Part Number	Part Description	Go To Page
		K380073-01	AUTOLUBE MATL, SADDLE BLOCK	
	1	53351758	· HOSE KIT, SADDLE BLOCK OGL	
1	2	650137-27	· · HOSE ASSEMBLY	
2	2	650137-28	· · HOSE ASSEMBLY	
3	2	650137-67	· · HOSE ASSEMBLY	
4	2	650137-70	· · HOSE ASSEMBLY	
5	2	650137-84	· · HOSE ASSEMBLY	
6	2	650137-89	· · HOSE ASSEMBLY	
7	2	650137-112	· · HOSE ASSEMBLY	
8	2	650137-117	· · HOSE ASSEMBLY	
9	2	650137-122	· · HOSE ASSEMBLY	
10	2	650137-132	· · HOSE ASSEMBLY	
28	6	20525750	· NIPPLE,PIPE,,.375(X)x1.5	
30	2	20766050	· PLUG,PIPE,SQ HD,.375,6000	
31	16	20765430	· PLUG,PIPE,.125 NPTF,CSK	
32	3	20932930	· UNION,PIPE,.38,3000# BL	
35	26	57169100	· CAP,INJECTOR COVER	
38	4	57169110	· CROSSOVER,INJECTOR	
41	4	57169152	· INJECTOR ASSEMBLY, 4 W/MANIFOLD	57169152
42	2	57169153	· INJECTOR ASSEMBLY, 5 W/MANIFOLD	57169153
49	22	78553780	· CONNECTOR,37FL,.375Tx.125P	
50	2	78553800	· CONNECTOR,37FL,.375Tx.375P	
56	18	78595750	· ELBOW,TUBE,90,.375Tx.375P	
59	4	78596333	· ELBOW,TUBE,.375x90 DEG	
61	2	78597496	· ELBOW,TUBE,.75Tx.375P,90D	
64	2	78623395	· NUT,TUBE,SLEEVE,.375T,37D	
70	34	53268599	· CLAMP,HOSE,1.234 ID	
71	8	53268602	· CLAMP,HOSE,1.75ID	
72	2	53268607	· CLAMP,HOSE,2 ID	
86	42	02786425	· NUT,HEX,LOCK,.5,UNC	
87	12	03279640	· SCR,HEX,.375x2,UNC,GR5	

Bucyrus International, Inc.

Item	Qty	Part Number	Part Description	Remarks	Go To Page
		K380509	SUPERBOLT, BOOM PT, SHEAVES, OPT		
1	8	B008605-01	· BOLT, ROD, RD	1.50 x 14.00	
2	8	B008606-01	· SPACER, RD	3.00 DIA x 0.88 LG	
3	8	MP263241	· SUPERBOLT, TORQUENUT	1.25	

Bucyrus International, Inc.

Item	Qty	Part Number	Part Description	Remarks	Go To Page
		K380529-VG06	FILTER, HOUSE DYNA, FLD ASSY		
1	1	K380070-VG06	· FILTER/DUCT ASSY, HOUSE DYNA		K380070-VG06
2	2	D022100-01	· PLATE		
7	2	D018711-01	· DUCT,BLEED AIR,WELDED		
8	4	D022100-02	· PLATE		
10	2	D022100-04	· WIRE FABRIC,.062 DIA x36x36		
11	2	E016917-01	· HOOD, FAN, SINGLE	PLASTIC	
17	124	03279400	· SCR,HEX,.375x1.25,UNC,GR5		
18	72	03279480	· SCR,HEX,.375x1.5,UNC,GR5		
23	184	03951400	· WASHER,FLAT,.375		
24	248	03961300	· WASHER,LOCK,.375		
25	20	03972300	· WASHER,BEVEL,.375,M.I.		
28	220	02709150	· NUT,HEX,FULL,.375,UNC		
34	6	82833855	· SEALANT,SILASTIC		

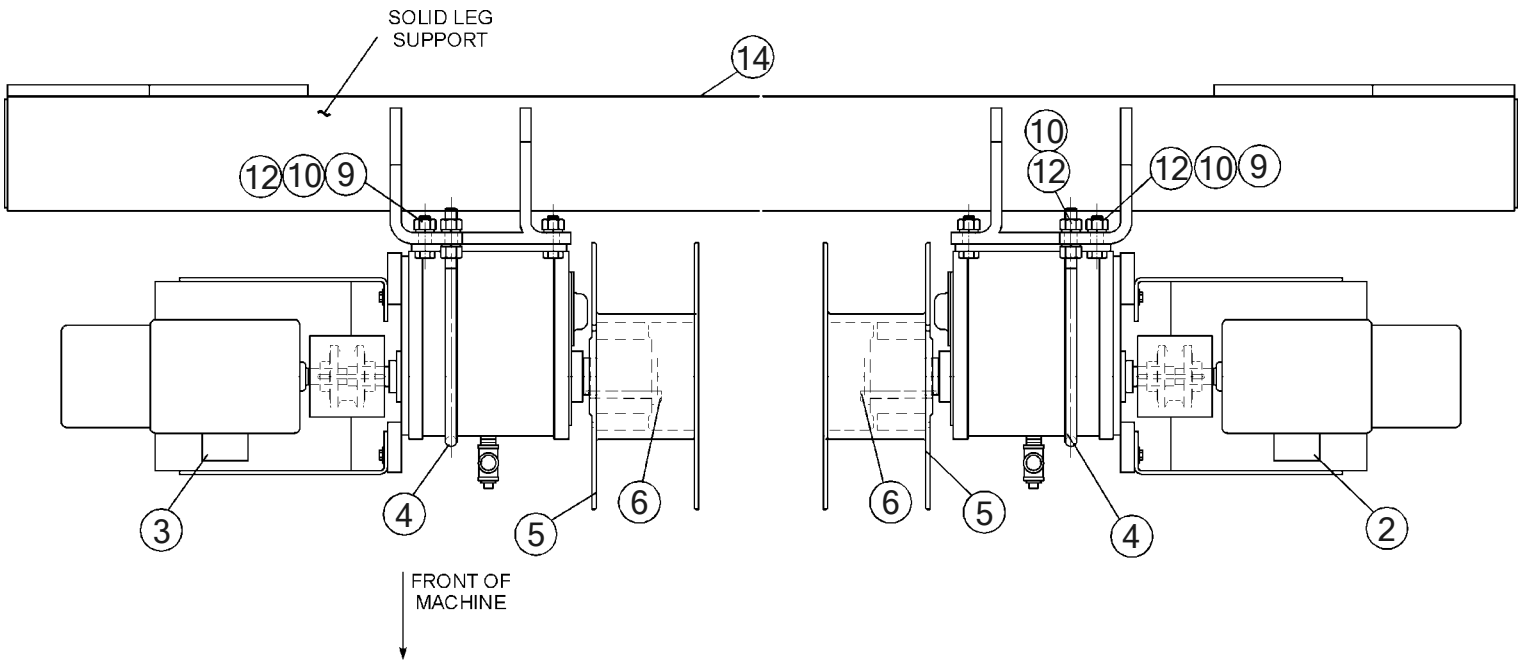
Bucyrus International, Inc.

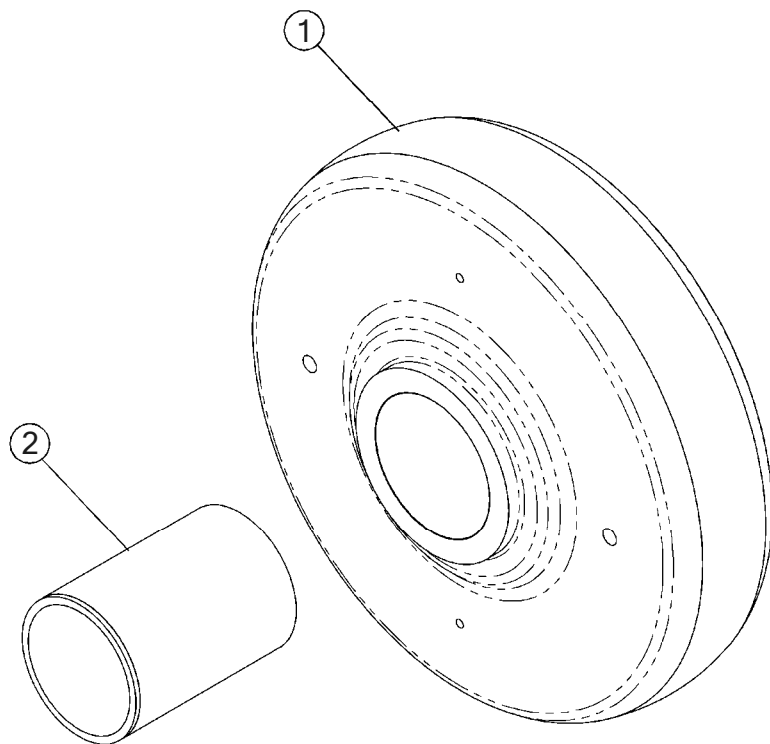
Item	Qty	Part Number	Part Description	Remarks	Go To Page
		K400050-01	DIPPER,59YD,FIELD ASSY		
1	1	K200063-01	· BODY,59YD DIPPER,SHIP ASSY		K200063-01
2	6	B008796-01	· COVER,PLATE,ROTATOR ADPTRS		
3	6	B008796-02	· COVER,PLATE,ROTATOR ADPTRS		
4	18	03301920	· SCREW,HEX,1.0		
5	18	03962000	· WASHER,LOCK,1.0		
6	9	D028294-01	· TOOTH & ADAPTER		D028294-01
12	2	C108325-04	· BUSHING (PITCH BRACE)		
13	4	C117575-02	· BUSHING (DOOR)		
14	10	★ C108325-05	· BUSHING		
15	2	C108325-01	· BUSHING (HANDLE)		
16	2	S007596	· BUSHING (PADLOCK)		
17	2	C117575-01	· BUSHING (DOOR)		
20	1	S035625	· DOOR,DIPPER,WELDED		S035625
25	1	E020930-01	· SNUBBER, DIPPER - RIGHT		E020930-01
26	1	E020930-02	· SNUBBER, DIPPER - LEFT		E020930-02
29	2	C118209-41	· PITCH BRACE, ASSEMBLY	INCLUDES 8 OF ITEM 14	
30	16	551209-01	· WASHER,12GA THICK		
31	12	551209-02	· WASHER,0.25 THICK		
32	4	C118298-45	· PIN, ASSY, 8.00 DIA. (PITCH BRACE)		C118298-45
39	2	C118298-42	· PIN, ASSY, 8.00 DIA. (DOOR)		C118298-42
40	2	C118298-49	· PIN, ASSY, 8.00 DIA. (HANDLE)		C118298-49
46	2	B008790-01	· WASHER, THRUST, R.H. (PADLOCK)		
47	2	B008790-02	· WASHER, THRUST, L.H. (PADLOCK)		
48	8	82232300	· DOWEL, BRASS, RD (PADLOCK)		
50	1	59180566	· LUBRICANT,OPEN GEAR	16 OZ	

★ (QTY 2 FOR HANDLE) (QTY 8 FOR PITCH BRACE)

Bucyrus International, Inc.

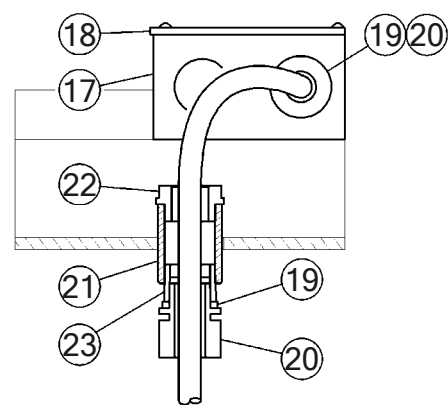
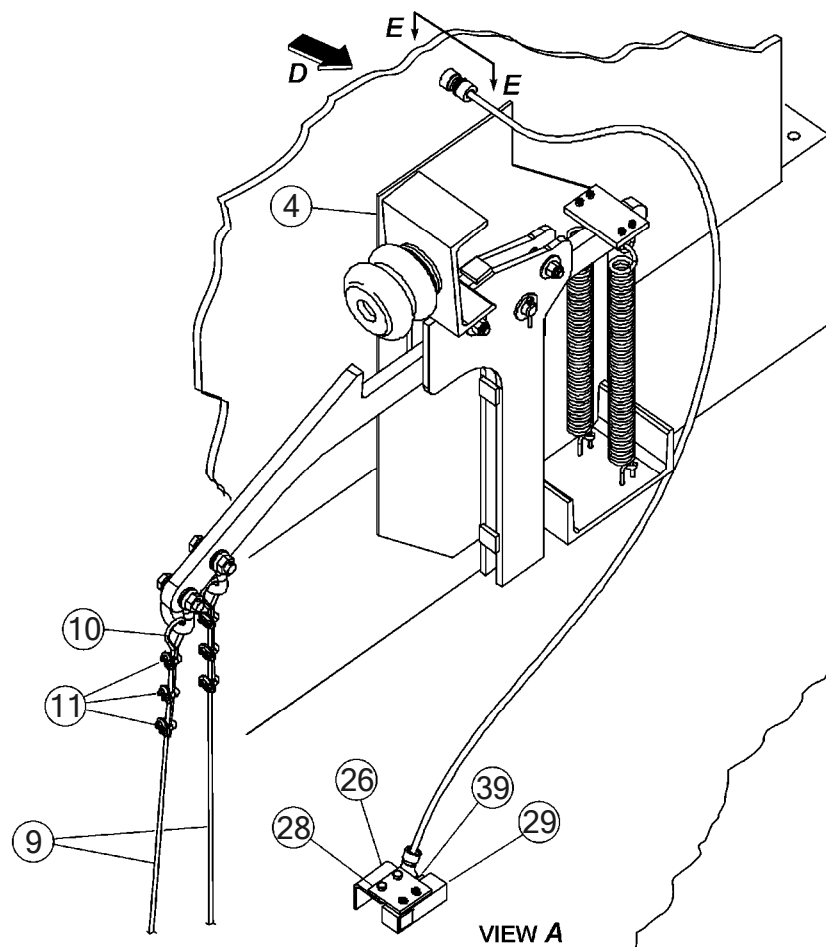
Item	Qty	Part Number	Part Description	Go To Page
		K990090-VG01	ROOM,LUBE,300 GAL,120/60,FLD	
1	2	K990071-VG01	· ROOM,LUBE,300 GAL	K990071-VG01
6	1	C118098-VG01	· HOIST, MONRL ASSY, LUB RM, 120/60	C118098-VG01



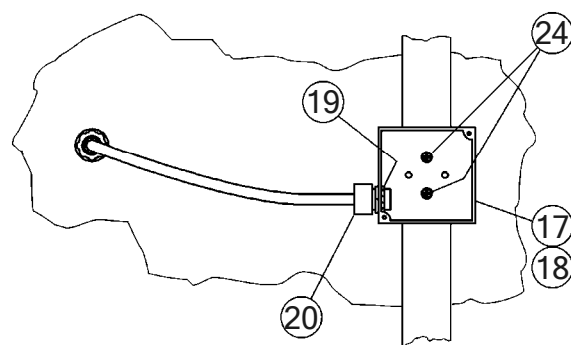


Bucyrus International, Inc.

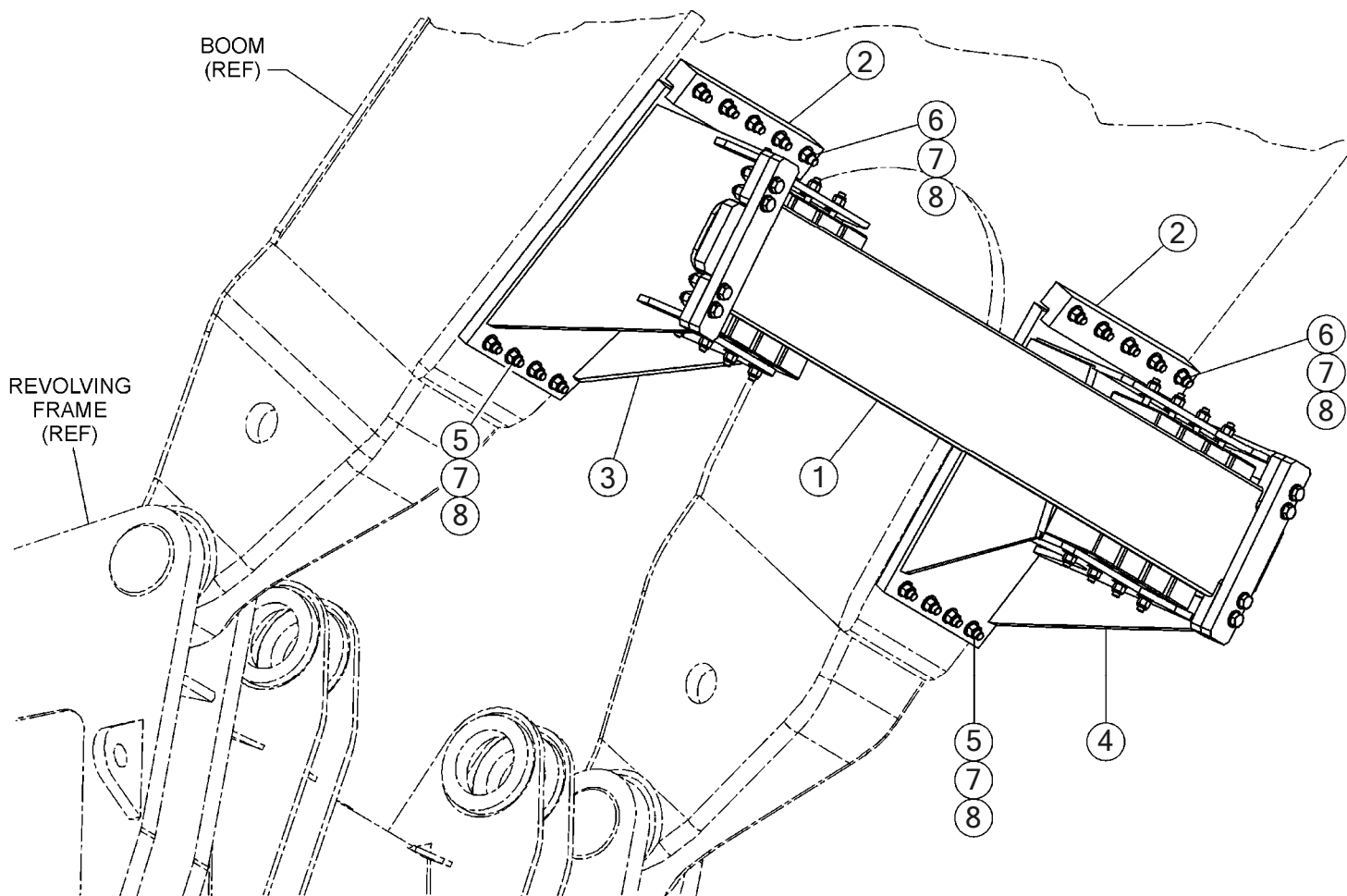
Item	Qty	Part Number	Part Description	Go To Page
		S000900	STAIR, RH BOARDING, SHIP ASSY	
1	1	S000931	· KIT,WALKWAY,RH BOARDING STAIR	S000931
2	1	S000932	· LEVER,RH BOARDING STAIR,ASSY	S000932
3	1	S000933	· ARM,RH BOARDING STAIR,ASSY	S000933
4	1	S000888	· SHAFT,WELDED	
5	1	S022345	· ARM,WELDED & MACH	
6	1	S000891	· PIPE,3(S)x2.63	
7	2	26102976	· BEARING,FLANGE CARTRIDGE	
8	1	82020258	· BUMPER,LATCH	
9	5	A003502-01	· WASHER,BAR,.25x4x4	
10	1	298829-01	· KEY,SQ,.75x2.00	
11	4	03953305	· WASHER,FLAT,3	
12	1	03295280	· SCREW, HEX	
13	9	02786485	· NUT,HEX,LOCK,.75,UNC	
14	1	03951950	· WASHER,FLAT,.75,HARDENED	
15	8	03294960	· SCREW, HEX	
16	4	03307140	· SCREW, HEX	
17	4	03952300	· WASHER,FLAT,1.25	
18	4	02786605	· NUT,HEX,LOCK,1.25,UNC	
19	12	03291800	· SCREW, HEX	
20	16	03951800	· WASHER,FLAT,.625	
21	12	02786465	· NUT,HEX,LOCK,.625,UNC	
26	2	82833859	· COMPOUND,RETAINING	
27	2	S022340	· BAR	
28	2	03952150	· WASHER,FLAT,1,HARDENED	
29	2	03301280	· SCREW, HEX	
30	2	02786545	· NUT,HEX,LOCK,1,UNC	

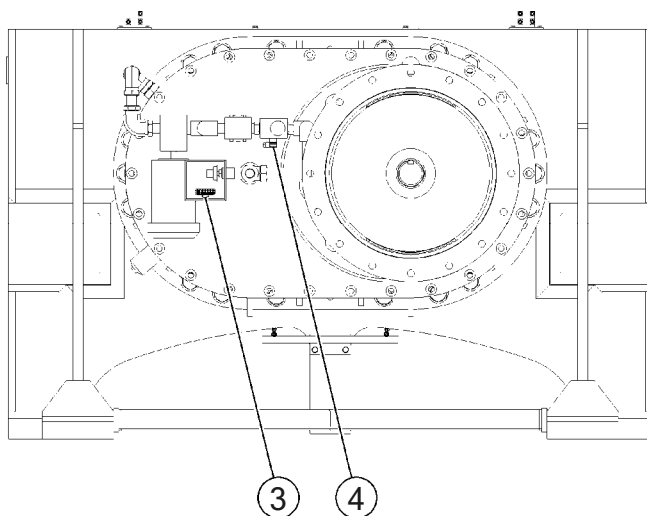
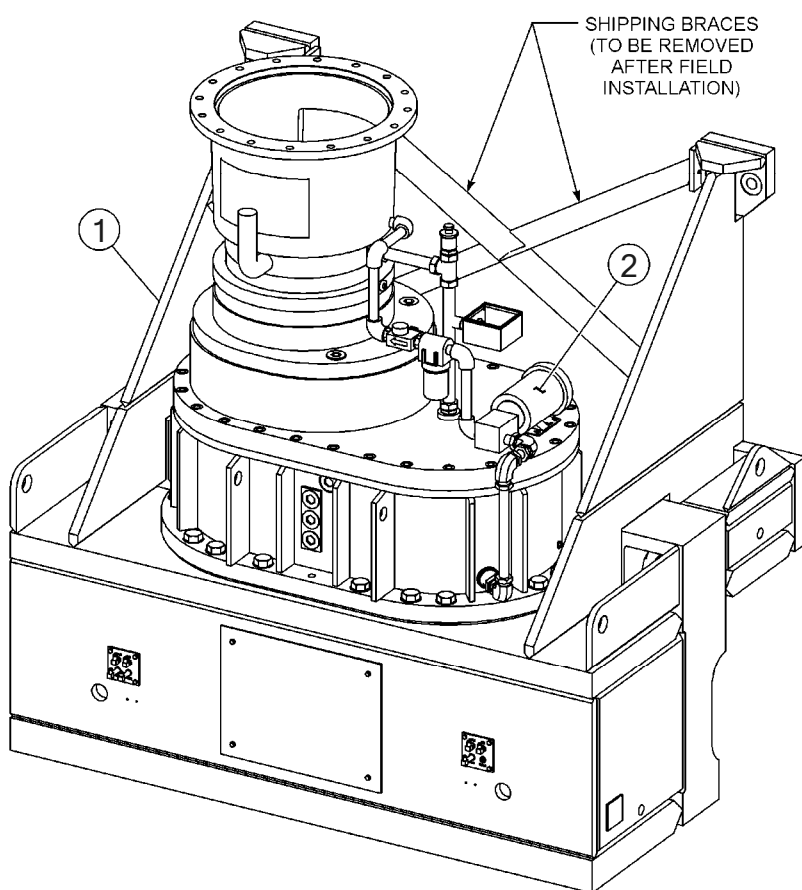


VIEW E - E

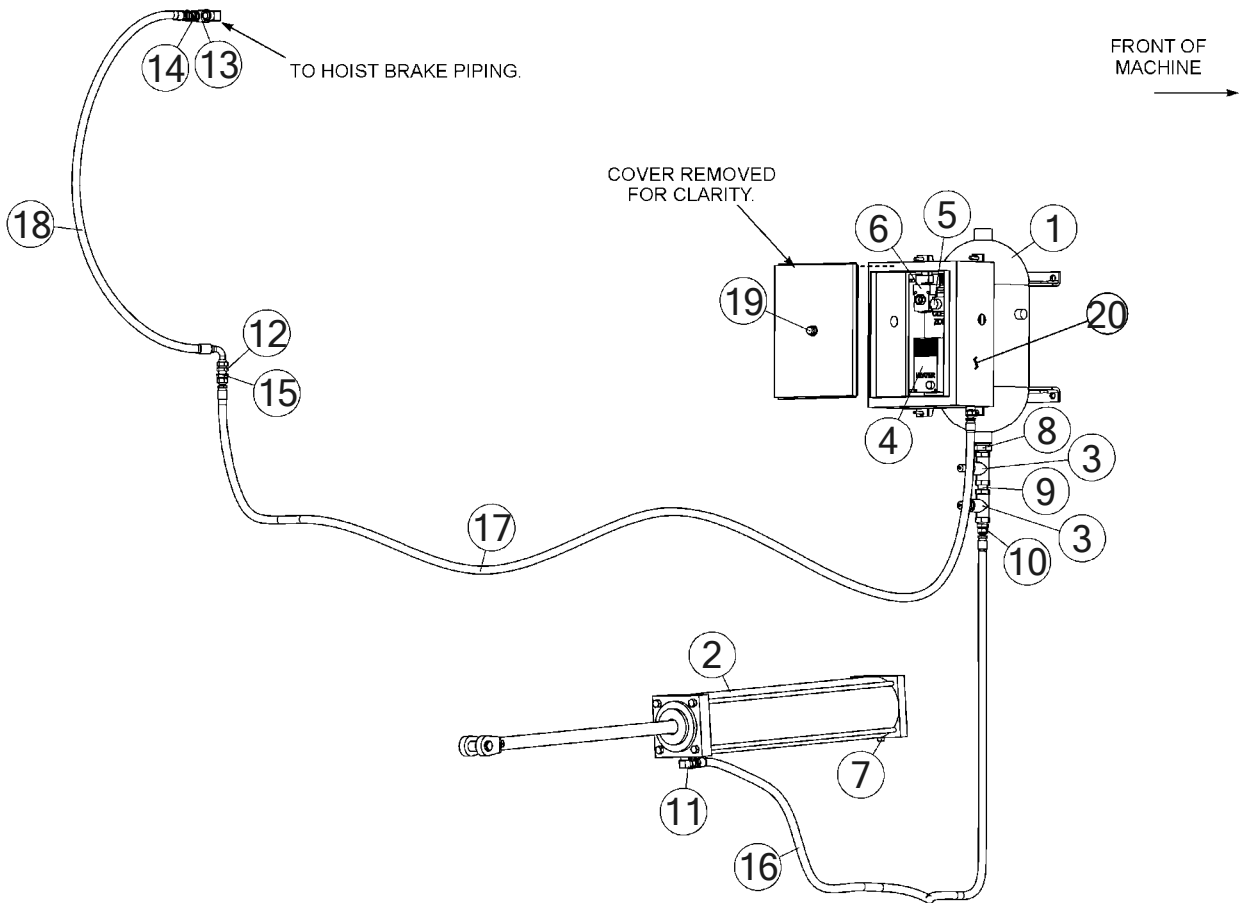


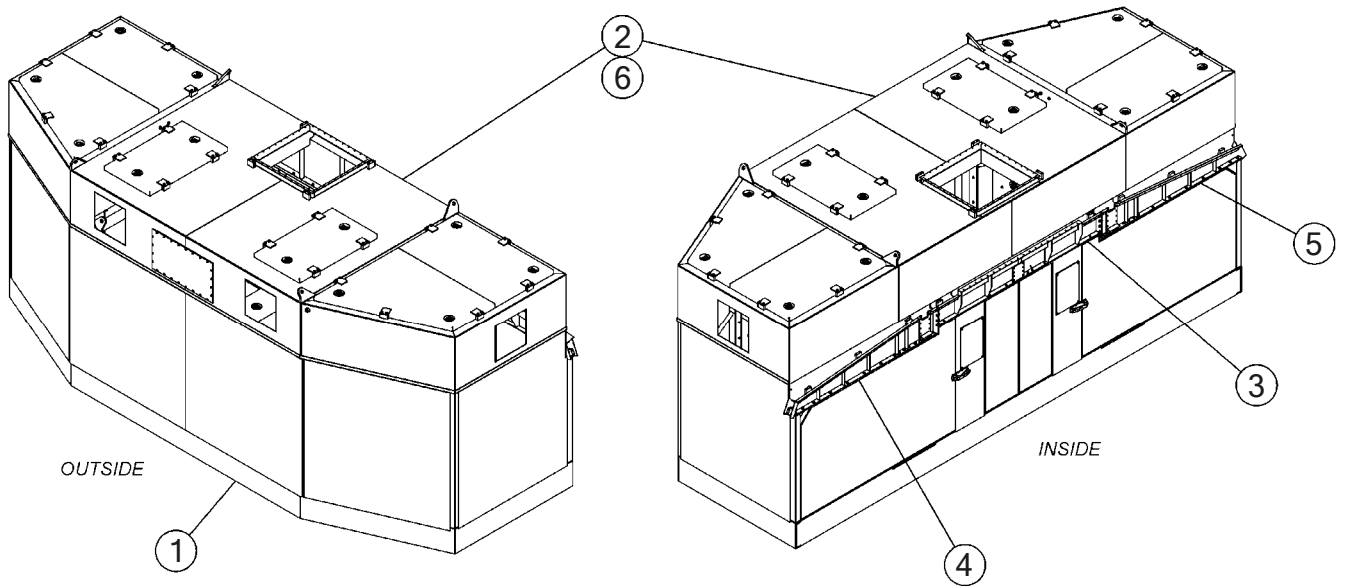
VIEW D - D

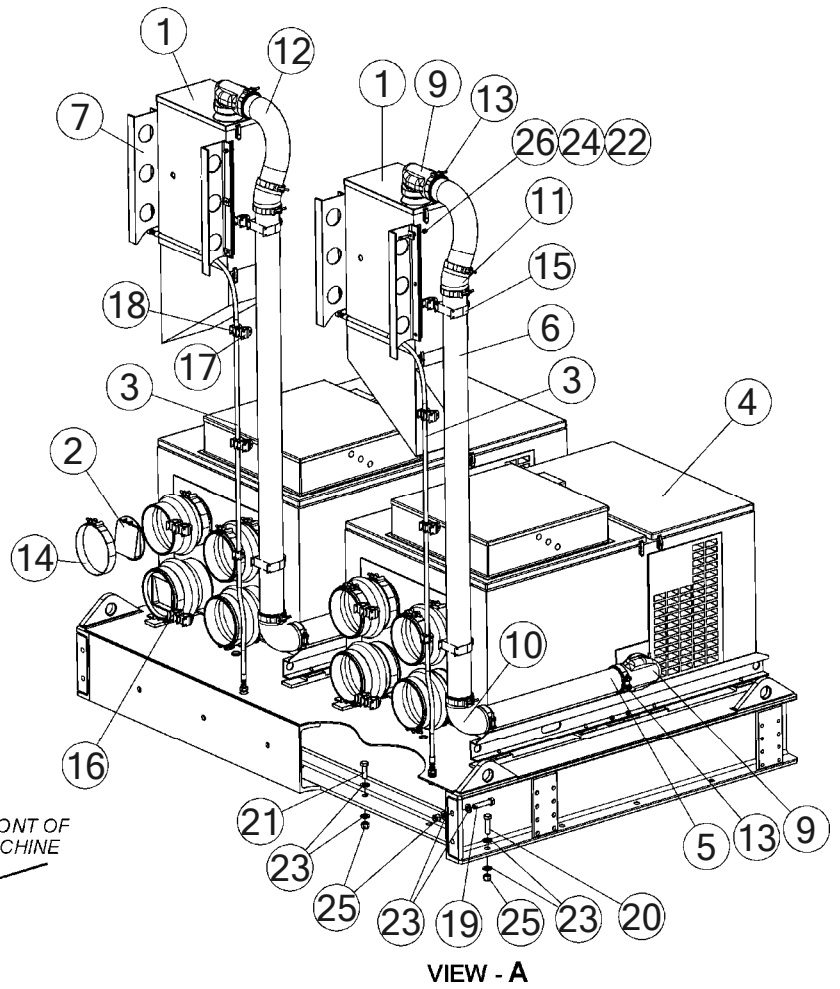
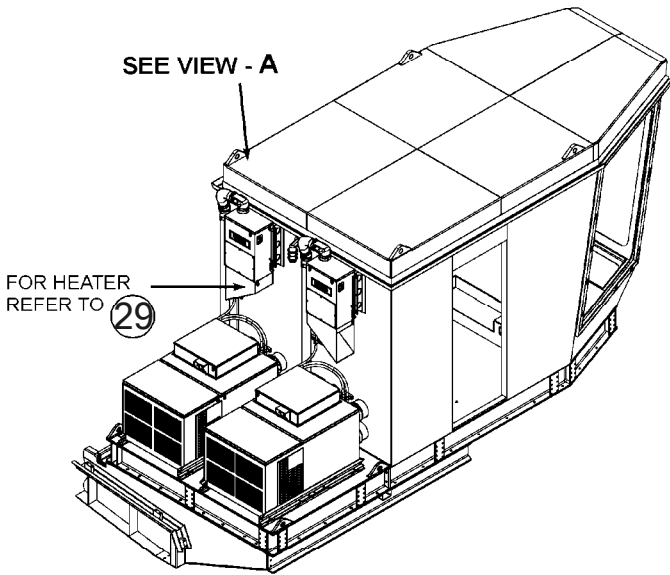




PUMP MOTOR MUST BE WIRED SO THAT THE PUMP
TURNS IN THE DIRECTION ACCORDING TO THE
ARROW ON THE PUMP CASE. CHECK TO MAKE SURE
THAT LUBE FLOWS INTO GEARING.

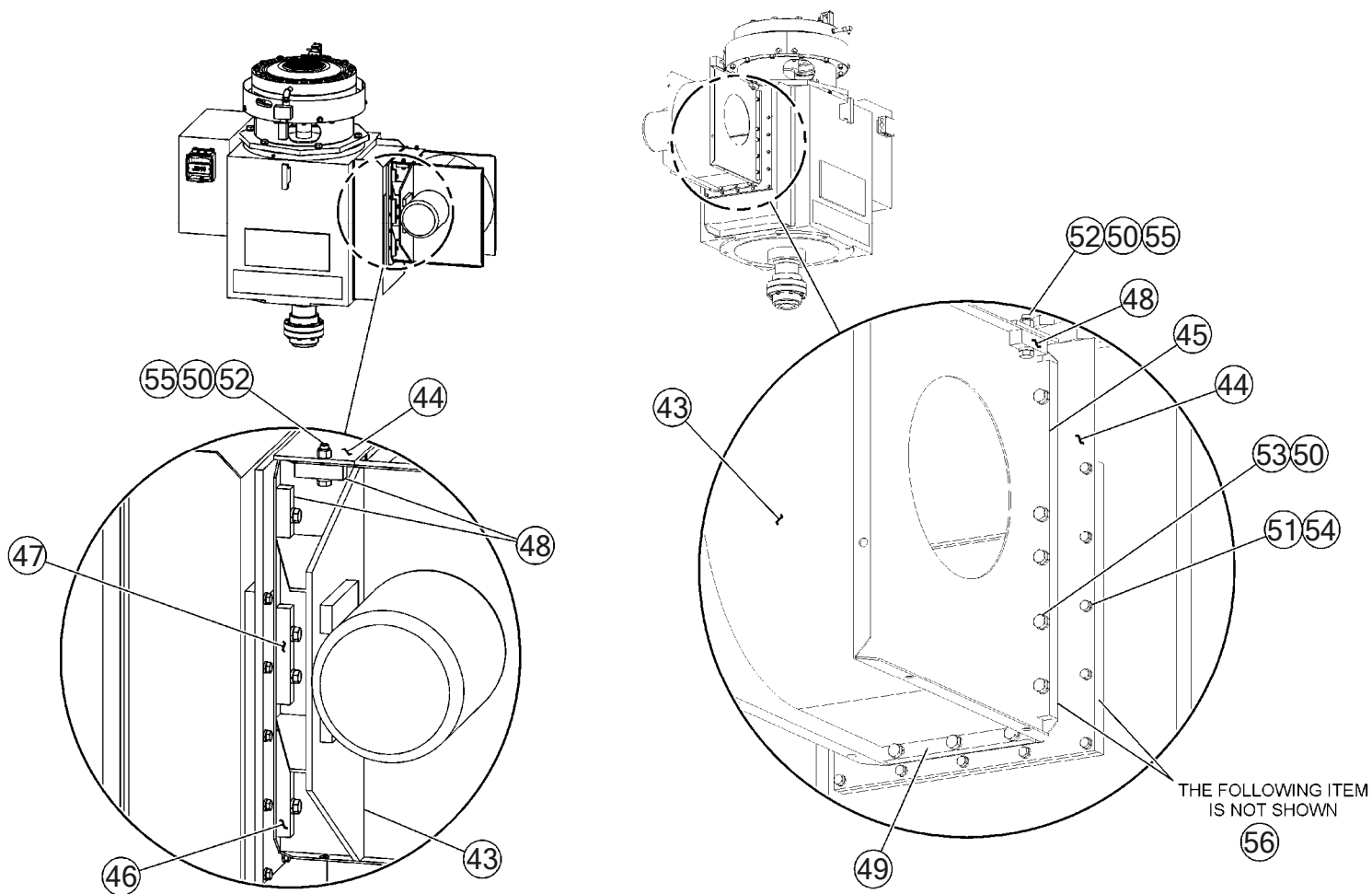






27 USE BETWEEN HVAC SUPPORT AND OPERATORS CAB TRUSS FRAME AND BETWEEN HVAC SUPPORT AND OPERATORS CAB.

28 APPLY TO ALL MOUNTING BOLTS.



CLICK HERE TO **DOWNLOAD** THE COMPLETE MANUAL

- Thank you very much for reading the preview of the manual.
- You can download the complete manual from: www.heydownloads.com by clicking the link below



- Please note: If there is no response to CLICKING the link, please download this PDF first and then click on it.

CLICK HERE TO **DOWNLOAD** THE COMPLETE MANUAL

Bucyrus International, Inc.

Item	Qty	Part Number	Part Description	Remarks	Go To Page
		S006902	ROLLER CIRCLE (7 RLR), SHIP ASSY		
1	7	S006901	· ROLLER ASSEMBLY		S006901
2	7	MP325736	· WASHER,THRUST,NYLATRON		
3	7	S015001	· PIN		
4	1	S015003	· PLATE,FORMED		
5	1	S015005	· PLATE,FORMED		
6	7	MP274802	· WASHER		
7	28	MP274804	· WASHER,SPECIAL,.625		
8	8	MP281556	· SCR,HEX,.625x14,UNC,GR 8		
9	6	MP281555	· SCR,HEX,.625x13,UNC,GR 8		
10	14	02713100	· NUT,HEX,FULL,HVY,.62,UNC,GR8		
11	1	S015007	· PLATE,FORMED		
12	1	S015008	· PLATE,FORMED		
13	1	59005302	· LUBE	MOLYKOTE #G, 16OZ AERO	

Bucyrus International, Inc.

Item	Qty	Part Number	Part Description	Remarks	Go To Page
		S006978	NUT, LOCK, ASSY, CENTER PINTLE		
1	1	C117044-01	· NUT, LOCK		
2	2	A002368-01	· BAR, LOCK	2 x 2 x 17	
3	4	519802-09	· SCR, HEX	0.75 x 3, UNC, GR5	

Bucyrus International, Inc.

Item	Qty	Part Number	Part Description	Go To Page
		S008062	KIT, CP TRK FRAME, PLUMBING	
1	1	20130150	· COUPLING,PIPE,RED,.5x.25	
2	1	20537000	· NIPPLE,PIPE, 0.5(S) x 1.5 BL	
3	1	20221850	· ELBOW,PIPE,.5X90D.3000#,BL	
4	1	20820050	· TEE,PIPE,STR,.5,150#	
5	2	20536500	· NIPPLE,PIPE,.5(X)X1.125	
6	1	20541500	· NIPPLE,PIPE, 0.5(X) x 5	
7	1	62038563	· GAUGE,AIR PRESSURE	
8	2	78553907	· CONN,TUBE,.5Tx.5FP,37 FL	
9	3	78553920	· CONN,37FL,.5TX.5P	
10	2	78595750	· ELBOW,TUBE,90,.375Tx.375P	
11	2	78638465	· TEE,TUBE,.75Tx.75Tx.75P,37FL	
12	3	79362250	· VALVE,QUICK RELEASE,.5	
13	7	82141116	· CLAMP,CUSHION,.75T	
14	18	82141131	· CLAMP,CUSHION,.75P	
15	11	82141135	· CLAMP,CUSHION,.375P	
16	1	MP179611	· CROSS,PIPE PFH-3T,.50	
17	1	650372-106	· HOSE ASSY,-8 STR-STR 37DEG JIC	
18	1	650372-136	· HOSE ASSY,-8 STR-STR 37DEG JIC	
19	2	650366-191	· HOSE ASSY,-12 STR-STR 37 DEG	
20	2	650366-160	· HOSE ASSY,-12 STR-STR 37 DEG	
21	1	650367-180	· HOSE ASSY,-6 STR-90 37 DEG JIC	
22	1	650367-212	· HOSE ASSY,-6 STR-90 37 DEG JIC	
23	1	12768315	· SW, PRESS, 836, INO & INC INT.	

Bucyrus International, Inc.

Item	Qty	Part Number	Part Description	Go To Page
		S011155	KIT, C.P. THRUST WASH, PLUMBING	
1	1	57169150	· INJECTOR ASSEMBLY, 2 W/MANIFOLD	57169150
2	1	57169110	· CROSSOVER,INJECTOR	
3	1	20766330	· PLUG,PIPE,HEX HD,.375	
4	1	526491-07	· BAR,.5x1	
5	1	78649740	· UNION,BLKHD,.375Tx.375T,37FL	
6	1	03964754	· WASHER,LOCK,INTL T,.687	
7	1	78553780	· CONN,37FL,.375Tx.125P	
8	1	57123590	· CONN,37FL,.75Tx.375P	
9	1	78553880	· CONN,37FL,.375Tx.25P	
10	1	650365-33	· HOSE ASSY,-12 STR-90 37DEG JIC	
11	1	650367-17	· HOSE ASSY,-6 STR-90 37 DEG JIC	
12	1	650367-136	· HOSE ASSY,-6 STR-90 37 DEG JIC	
13	1	03961300	· WASHER,LOCK,.375,HVY	
14	1	03279560	· SCR,HEX,.375x1.75,UNC,GR 5	
15	2	640505-06	· ANCHOR,CHANNEL,3	
16	2	82141135	· CLAMP,CUSHION,.375P	

Bucyrus International, Inc.

Item	Qty	Part Number	Part Description	Remarks	Go To Page
		S012243	ENCLOSURE, CABLE		
1	1	S012244	· PLATE		
2	1	S012245	· SHEET, 12GA		
4	2	82616772	· LUG, TIE DOWN RIGHT, SPACER		
5	12	02709150	· NUT, HEX, FULL	0.375, UNC	
6	4	03279320	· SCR, HEX	0.375 x 1 UNC, GR5	
7	24	03951400	· WASHER, FLAT	0.375	
8	8	03279560	· SCR, HEX	0.375 x 1.75 UNC, GR5	
10	8	03961300	· WASHER, LOCK	0.375, HVY	

Bucyrus International, Inc.

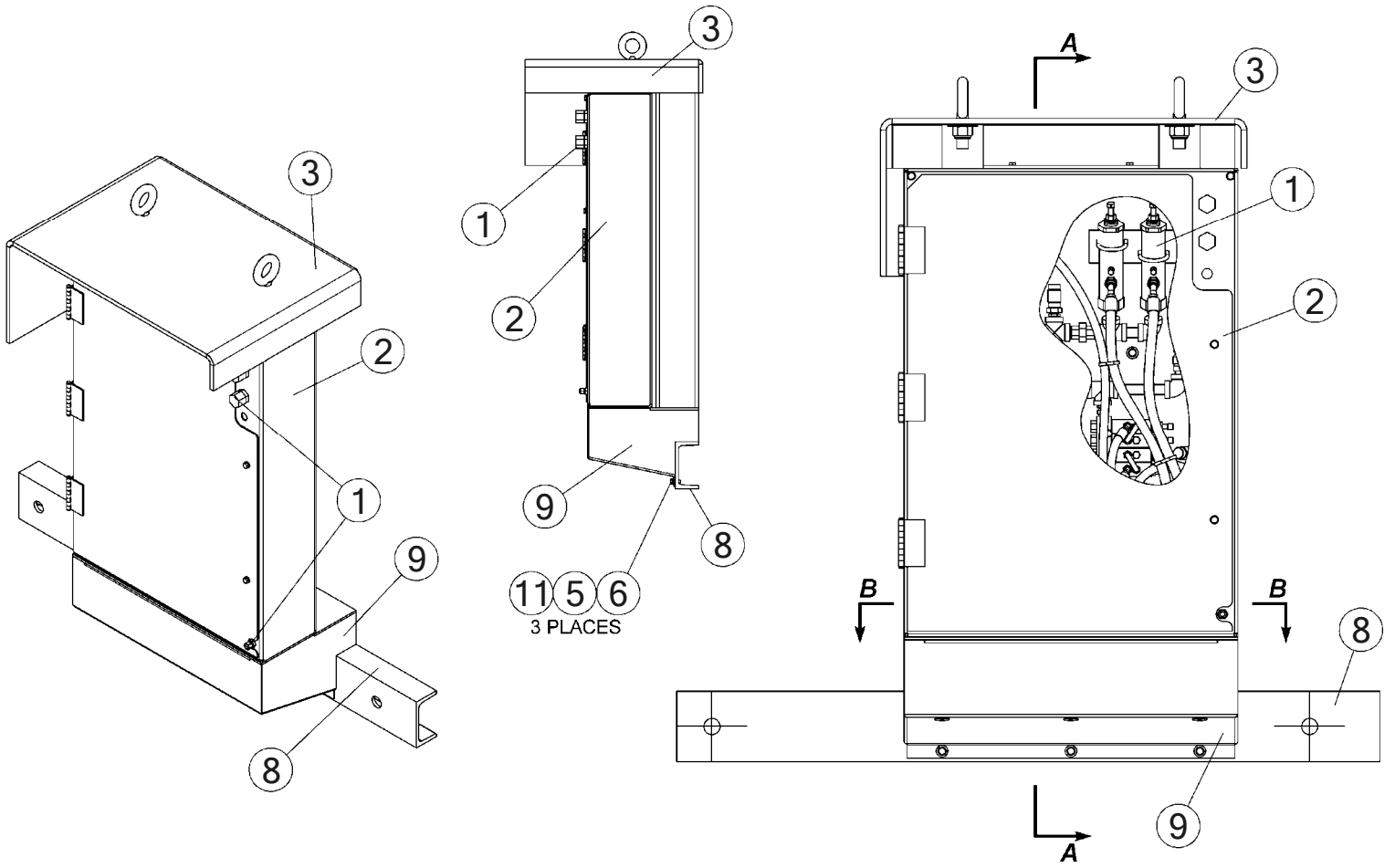
Item	Qty	Part Number	Part Description	Go To Page
		S015089	SUPPORT ASSY	
1	1	S015080	· SUPPORT, WELDED	
2	2	S015087	· PLATE	
3	2	740784-02	· PLATE	
4	28	03961700	· WASHER, LOCK	
5	28	03291320	· SCREW,HEX	

Bucyrus International, Inc.

Item	Qty	Part Number	Part Description	Go To Page
		S015099	COVER, DECK EXT, ASSY & WELD	
1	1	S019688	· PLATE	
2	2	82610785	· LOCK, FLUSH TYPE HANDLE	

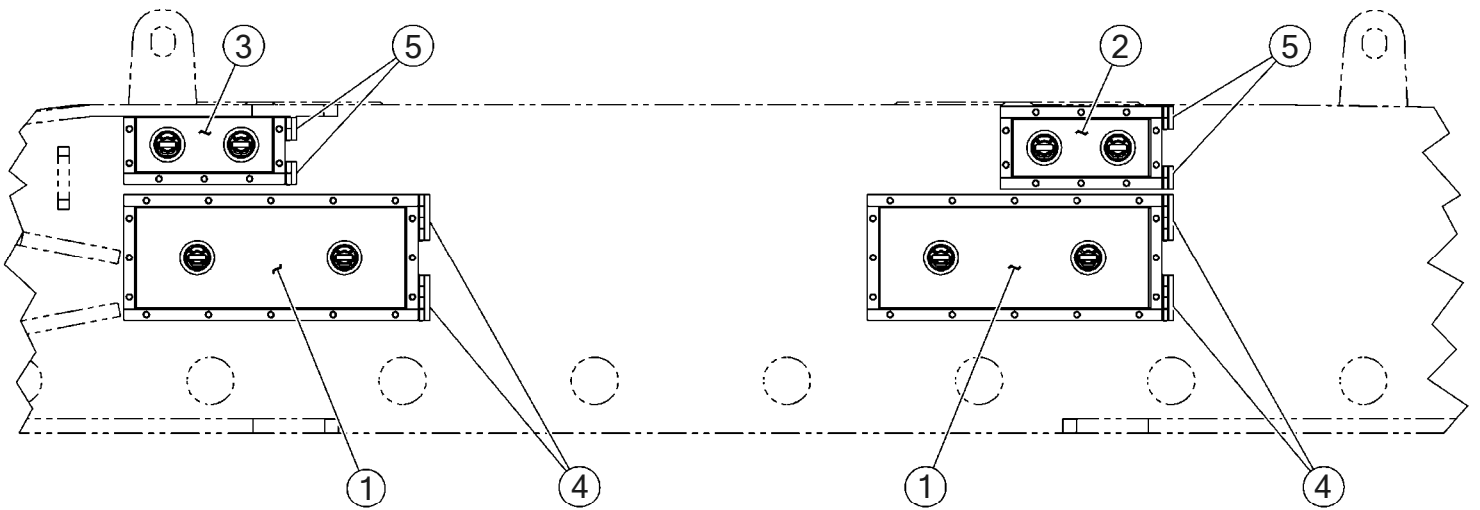
Bucyrus International, Inc.

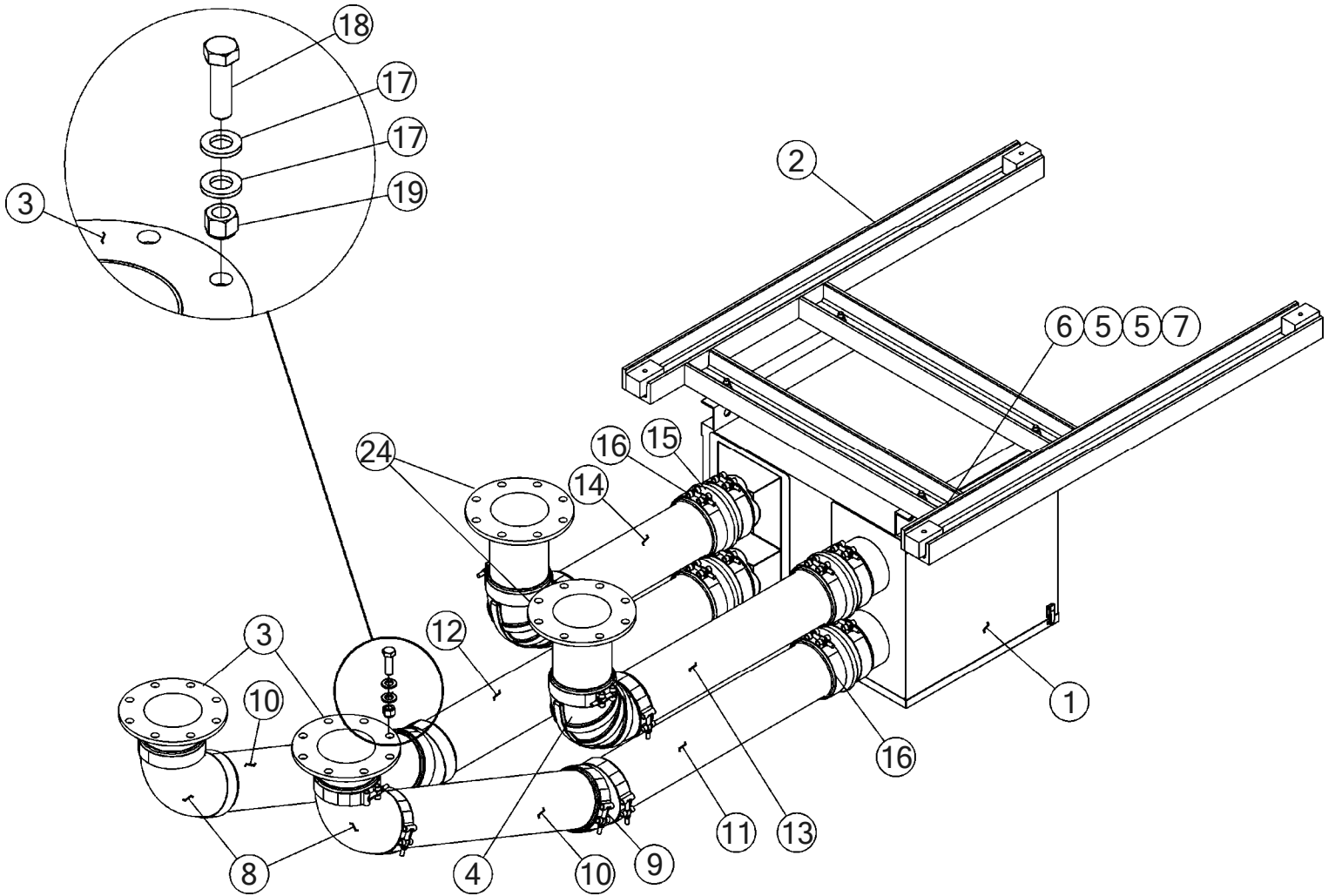
Item	Qty	Part Number	Part Description	Remarks	Go To Page
		S016438	SCRAPER ASSY		
1	1	S016437	· PLATE		
2	3	S016436	· BAR	1.5 x 6 x 7.00	
3	12	03961900	· WASHER, LOCK	0.875	
4	12	03297720	· SCREW, HEX	0.875 x 2.25, UNC, GR5	

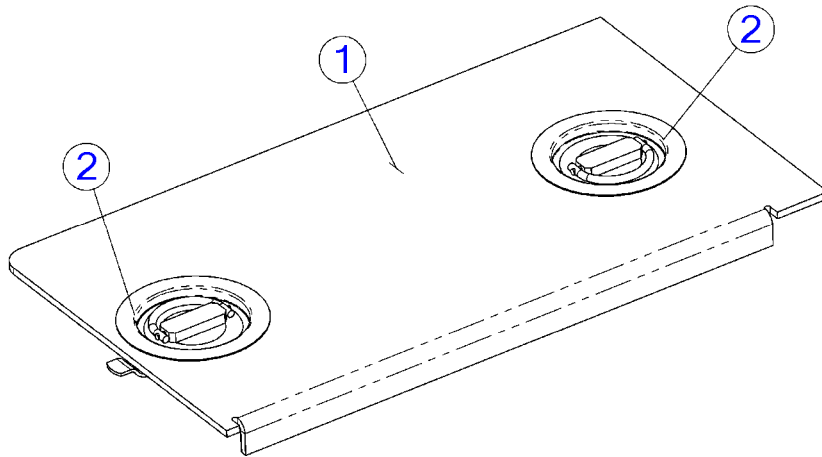


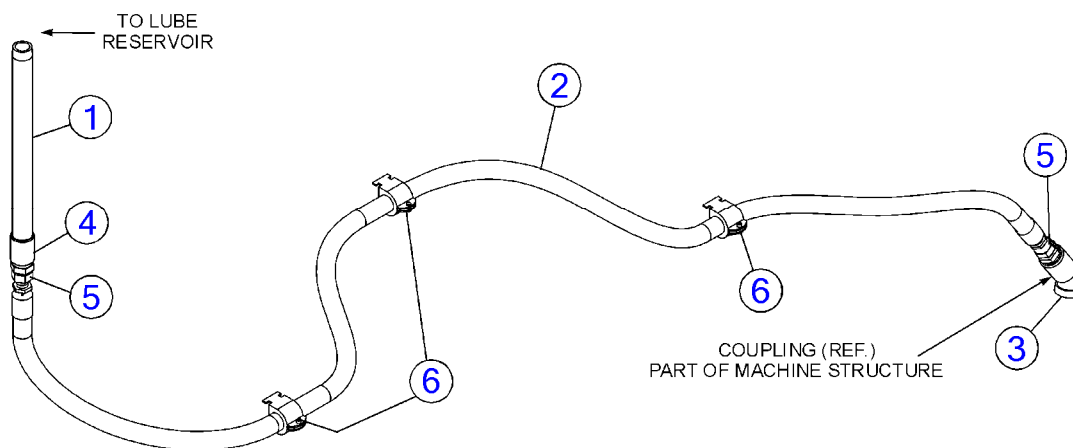
Bucyrus International, Inc.

Item	Qty	Part Number	Part Description	Go To Page
		S019174	PANEL, LUBE CABINET, RH, ASSY	
1	1	S019187	· PLATE	
2	1	S019173	· LUBE BANK,PANEL,RH,ASSY	S019173
3	2	78649980	· UNION,BLKHD	
4	12	78649740	· UNION,BLKHD	
5	1	S019172	· CHANNEL	
6	1	17059009	· BLOCK	
7	2	03640420	· SCREW	
8	1	17112507	· PLATE, BASE	
9	1	17112536	· BODY,CLAMP	
10	1	17112520	· PLATE, COVER	
14	1	650367-42	· HOSE ASSY	
15	1	650367-35	· HOSE ASSY	
16	1	650367-30	· HOSE ASSY	
17	1	650367-24	· HOSE ASSY	
18	2	650367-20	· HOSE ASSY	
19	1	650367-17	· HOSE ASSY	
20	1	650367-14	· HOSE ASSY	
21	1	650367-16	· HOSE ASSY	
22	2	650367-25	· HOSE ASSY	
23	1	650371-32	· HOSE ASSY	
24	1	650371-31	· HOSE ASSY	
25	1	650373-15	· HOSE ASSY	
26	1	650373-17	· HOSE ASSY	
27	1	650367-26	· HOSE ASSY	
29	2	78533490	· UNION,BLKHD	
30	2	03964752	· WASHER,LOCK	
31	2	78623600	· NUT,CAP	
37	1	78596440	· ELBOW	
38	1	78623400	· NUT,CAP	
39	12	03964754	· WASHER,LOCK	
41	2	03964753	· WASHER,LOCK	

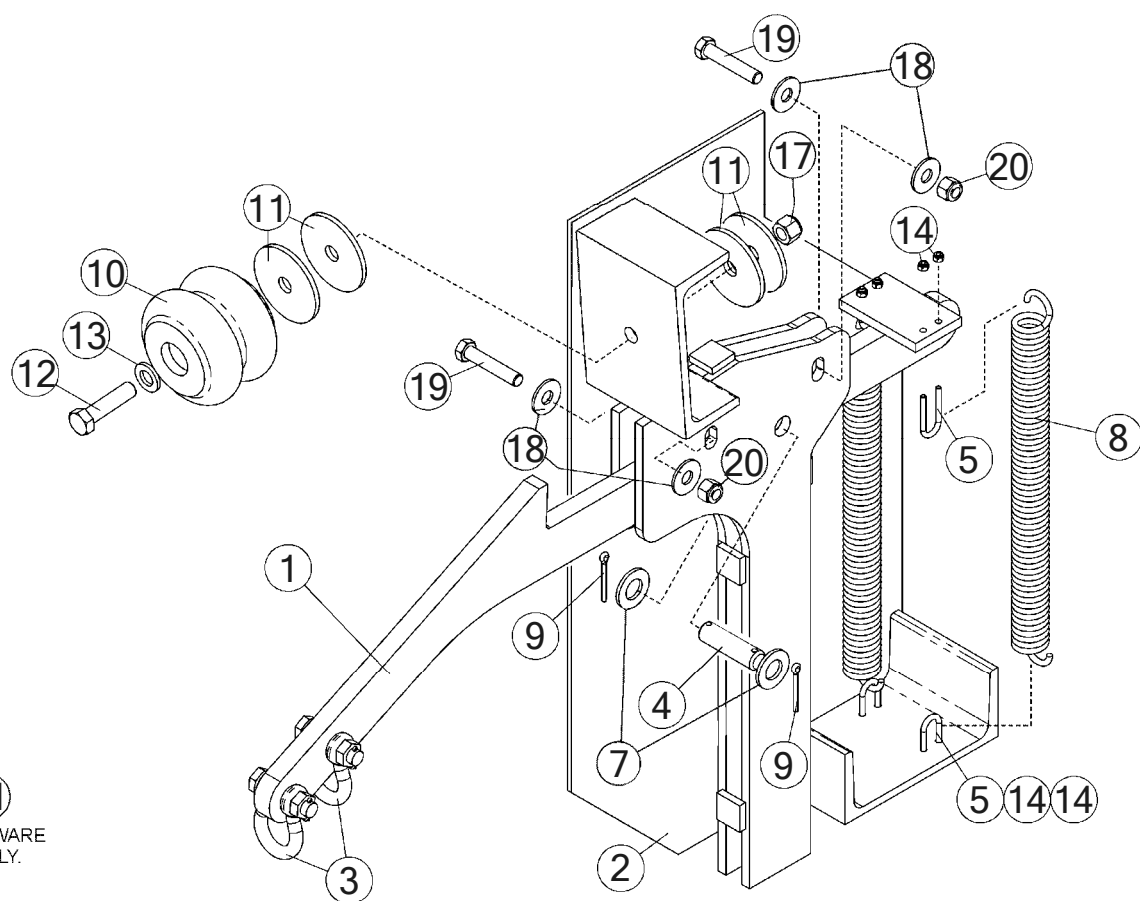




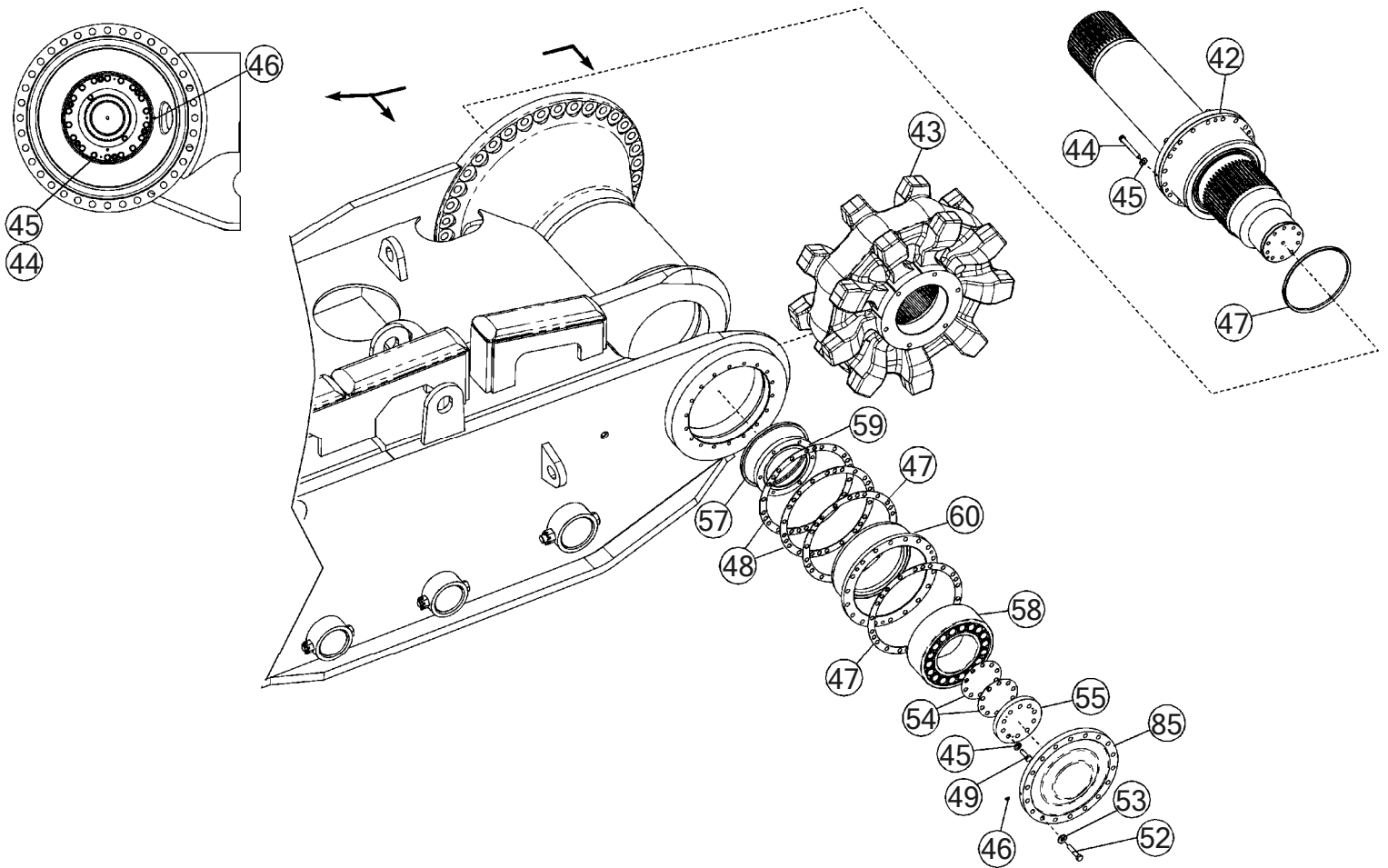




Bucyrus International, Inc.



APPLY (21)
TO ALL HARDWARE
AT ASSEMBLY.

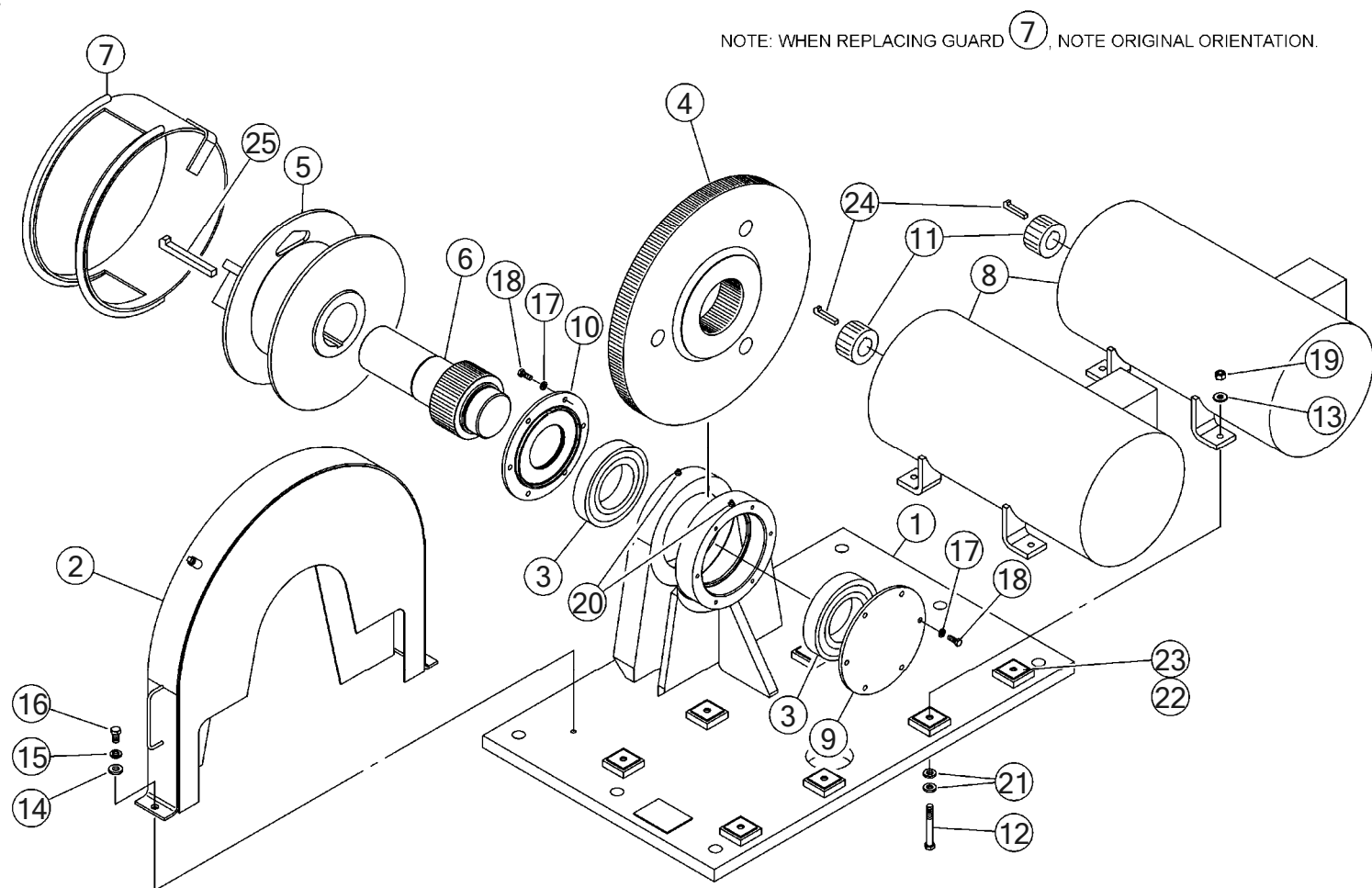


Bucyrus International, Inc.

Item	Qty	Part Number	Part Description	Remarks	Go To Page
81	16	MP600366	· WASHER,THRUST		
82	8	MP281277	· SCR, HEX, SPCL, 1.75 x 13		
83	8	MP601281	· PIPE,10(XX)		
84	8	MP600417	· SHAFT,LOAD ROLLER		
85	1	MP600372	· RETAINER		

Bucyrus International, Inc.

Item	Qty	Part Number	Part Description	Go To Page
		S022326	KIT, RH CRAWLER, LUBE PLUMBING	
1	1	S019197	· CABINET, LUBE, RH, ASSY	S019197
4	2	78553940	· CONN,37FL,.5Tx.75P	
5	2	78597367	· ELBOW,TUBE,SWIVEL,90 DEG,	
6	9	78553800	· CONN,37FL,.375Tx.375P	
7	9	78595880	· ELBOW,TUBE,SWIVEL,90 DEG,	
8	2	78596320	· ELBOW,TUBE,M,.375Tx.25P	
9	2	78553880	· CONN,TUBE,.375Tx.25P,37FL	
10	1	650367-48	· HOSE ASSY,.375x48,100R16	
11	1	650368-162	· HOSE ASSY,.375x162,100R16	
12	1	650368-195	· HOSE ASSY,.375x195,100R16	
13	1	650367-65	· HOSE ASSY,.375x65,100R16	
14	2	650367-24	· HOSE ASSY,.375x24,100R16	
15	1	650367-55	· HOSE ASSY,.375x55,100R16	
16	1	650367-95	· HOSE ASSY,.375x95,100R16	
17	1	650367-133	· HOSE ASSY,.375x133,100R16	
18	1	650367-162	· HOSE ASSY,.375x162,100R16	
19	1	650367-195	· HOSE ASSY,.375x195,100R16	
20	1	650367-230	· HOSE ASSY,.375x230,100R16	
21	2	650370-290	· HOSE ASSY,.5x290,100R16	



Bucyrus International, Inc.

Item	Qty	Part Number	Part Description	Go To Page
		S023051	KIT, CROSSOVER MANIFOLD, PLUMBING	
1	2	78553800	· CONNECTOR,37FL, .375Tx.375P	
2	1	78553920	· CONNECTOR,37FL, .5Tx.5P	
3	6	78554190	· CONNECTOR,37FL, .75Tx.75P	
4	2	78638487	· TEE, .75Tx.75SWx.75T,37FL	
5	1	78554270	· CONNECTOR,37FL, 1Tx1P	
6	1	78637842	· TEE,TUBE, .375x.375x.375F,37FL	
7	3	650365-51	· HOSE ASSY,-12 STR-90 JIC 37FL	
8	1	650368-51	· HOSE ASSY,-6 STR-45 JIC 37FL	
9	1	650370-63	· HOSE ASSY,-8 STR-90 JIC 37FL	
10	1	650373-54	· HOSE ASSY,-12 STR-45 JIC 37FL	
11	1	650373-56	· HOSE ASSY,-12 STR-45 JIC 37FL	
12	1	650373-59	· HOSE ASSY,-12 STR-45 JIC 37FL	
13	1	650375-54	· HOSE ASSY,-16 STR-90 JIC 37FL	

Bucyrus International, Inc.

Item	Qty	Part Number	Part Description	Go To Page
		S023061	PIPE ASSY, 0.75 x 48.00 W/FTGS	
1	1	S023059	· PIPE,.75 (x)	
2	2	20112500	· COUPLING, PIPE,.75,3000#	
3	1	78554190	· CONNECTOR,37FL,.75Tx75P	
4	1	78533491	· UNION, BLKHD,.75Tx.75P,37FL	
5	1	03964752	· WASHER,LOCK,INTL T,1.187	

Bucyrus International, Inc.

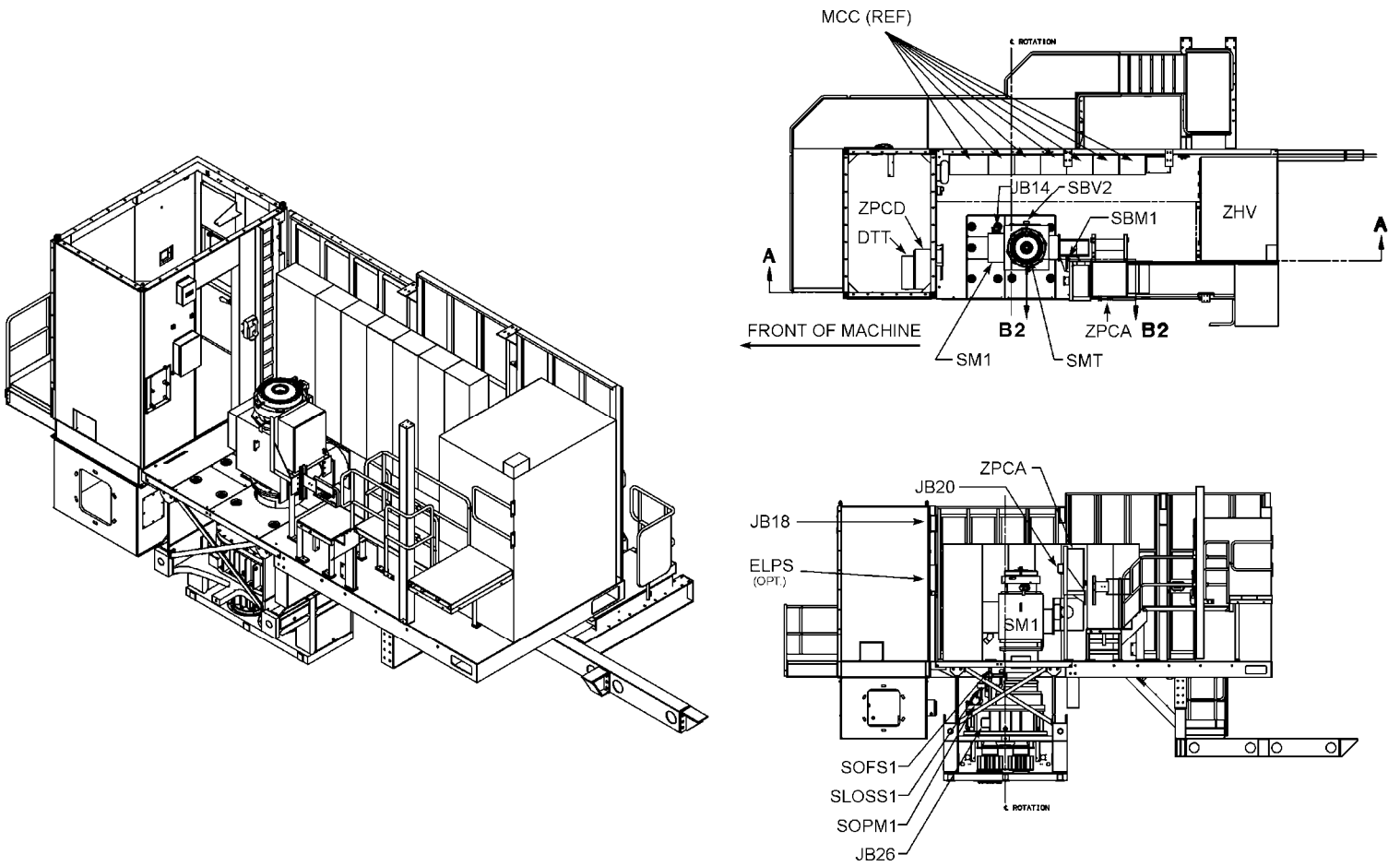
Item	Qty	Part Number	Part Description	Go To Page
		S023501	SUPPORT, R SHOE, 13.8KV, RH, ASSY	
2	3	C108037-01	· COLL.RING SHOE ASSY.LUBED	C108037-01
3	1	C108038-01	· COLL.RING SHOE ASSY.LUBED	C108038-01
4	6	17285219	· INSULATOR,PORCELAIN,15KV	
5	9	03961500	· WASHER,LOCK,.5,HVY	
6	6	03285240	· SCR,HEX,.5x.75,UNC,GR 5	
7	27	03951600	· WASHER,FLAT,.5	
8	3	03285480	· SCR,HEX,.5x1.5,UNC,GR 5	
9	3	02711050	· NUT,HEX,FULL,.5,UNC	

Bucyrus International, Inc.

Item	Qty	Part Number	Part Description	Remarks	Go To Page
1	1	S023588	LIGHT, MAN ON GROUND, OPTION		
		17318244	· LIGHT, FLASHING	RED	

Bucyrus International, Inc.

Item	Qty	Part Number	Part Description	Go To Page
		S023615-VG01	XFMR,DTT,HARDWARE/MOUNTING	
1	1	12882933	· XFMR,20KVA,600/190V,3 PH	
2	4	B002795-04	· BAR	
3	4	03285320	· SCREW,HEX	
4	4	03961500	· WASHER,LOCK,HVY	
5	4	03951600	· WASHER,FLAT	



Bucyrus International, Inc.

Item	Qty	Part Number	Part Description	Go To Page
		S023681	CABLE ROUTING,HV,REV FRM	
1	1	515085K1	· BAR,.5x2x2	
2	1	640505-01	· ANCHOR CHANNEL, 4	
3	1	640505-04	· ANCHOR CHANNEL, 9	
4	5	640505-13	· ANCHOR,CHANNEL, 17	
5	1	640505-14	· ANCHOR CHANNEL, 10	
6	1	82141124	· CLAMP,CUSHION, 1.50P	
7	6	82141131	· CLAMP, CUSHION ASSY, 1.05	
8	4	82141144	· CLAMP,CUSHION ASSY, 2.63	
9	1	17096316	· BUSHING, INSULATED, 2.5	
10	1	03285160	· SCREW, HEX, .5x.5,UNC,GR5	
11	4	03285240	· SCREW, HEX, .5x.75,UNC,GR 5	
12	5	03961500	· WASHER, LOCK,.5,HVY	

Bucyrus International, Inc.

Item	Qty	Part Number	Part Description	Remarks	Go To Page
		S024520	BRACKET, VIDEO MTG, OP CAB		
1	3	S006790	· BRKT, MTG, VIDEO, OPER CAB		
2	1	S024519	· BRACKET, DISPLAY MOUNT		
3	6	03572140	· SCR, HEX, FLG	0.375 x 0.75, UNC	

Bucyrus International, Inc.

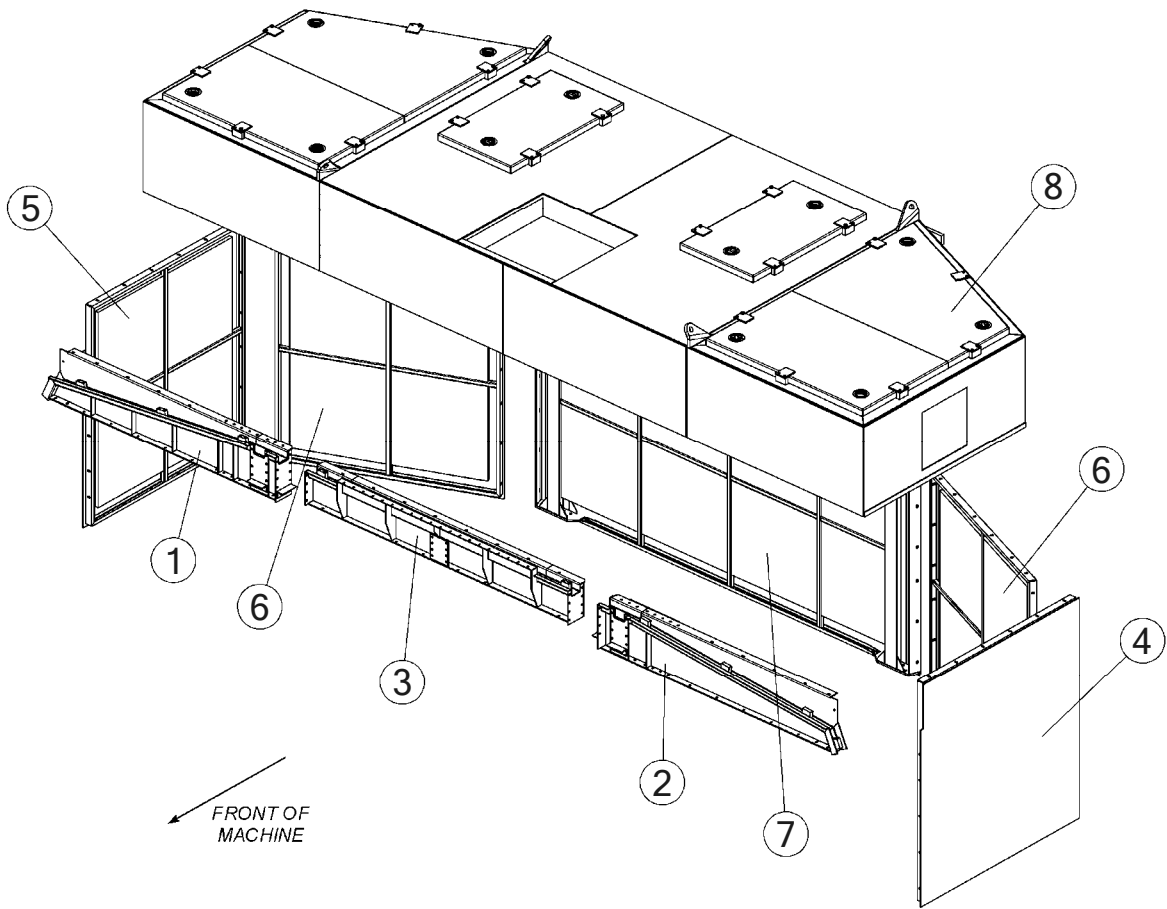
Item	Qty	Part Number	Part Description	Remarks	Go To Page
		S024810	GUARD, PROPEL, LH, FLD ASSY		
1	1	S024813	· TRAY,DRIP,SWING,LH		
2	1	S024817	· PLATE	0.5 x 58.00 x 59.80, FORMED	
3	1	S024818	· GUARD,PROPEL,EXTENSION,LH		
4	1	S024819	· GUARD,PROPEL,LH		
5	4	S024867	· PLATE	0.5 x 6.50 x 19.36, FORMED	
6	4	S024868	· WASHER,PROPEL MTR GUARD		
7	10	03294720	· SCREW,HEX		
8	4	03295600	· SCREW,HEX		
9	10	03285560	· SCREW,HEX		
10	8	03951950	· WASHER,FLAT		
11	10	03961800	· WASHER,LOCK		
12	20	03951600	· WASHER,FLAT		
13	4	02786485	· NUT,HEX		
14	10	02787800	· NUT,HEX		
53	3	49017010	· BOLT,EYE		
54	6	03952150	· WASHER,FLAT		
55	3	02786545	· NUT,HEX		

Bucyrus International, Inc.

Item	Qty	Part Number	Part Description	Remarks	Go To Page
		S024965	RESERVOIR, WIPER, FLD ASSY		
1	1	☆ 82930302	· RESERVOIR, WIPER	35 GAL	
2	1	★ 64018605	· · PUMP, WASHER	115/230VAC	
7	1	87186016	· VALVE, BALL	0.75, PVC	
8	1	87186017	· ELBOW, PVC, 90 STR	0.75, MIPT x SLIP	
9	2	87186018	· ELBOW, PVC,90	0.75, SLIP	
10	1	87186019	· ADAPTER, PVC	1 MIPT x 0.75 SLIP	
11	2	87186020	· PIPE, PVC,0.75 DIA	CUT TO LENGTH	
12	2	03285405	· SCR, HEX	0.5 x 1.25, UNC, GR 5	
13	4	03279480	· SCR, HEX	0.375 x 1.5, UNC, GR5	
14	4	03273280	· SCR, HEX	0.25 x 0.875, UNC, GR 5	
15	4	02786385	· NUT, HEX, LOCK	0.375, UNC	
16	4	03951400	· WASHER, FLAT	0.375	
19	2	02786425	· NUT, HEX, LOCK	0.5, UNC	
20	4	02786345	· NUT, HEX, LOCK	0.25, UNC	
21	1	87186003	· PRIMER, PVC CEMENT		
22	1	87186004	· CEMENT, PVC		
26	4	03951220	· WASHER,FLAT	0.25	

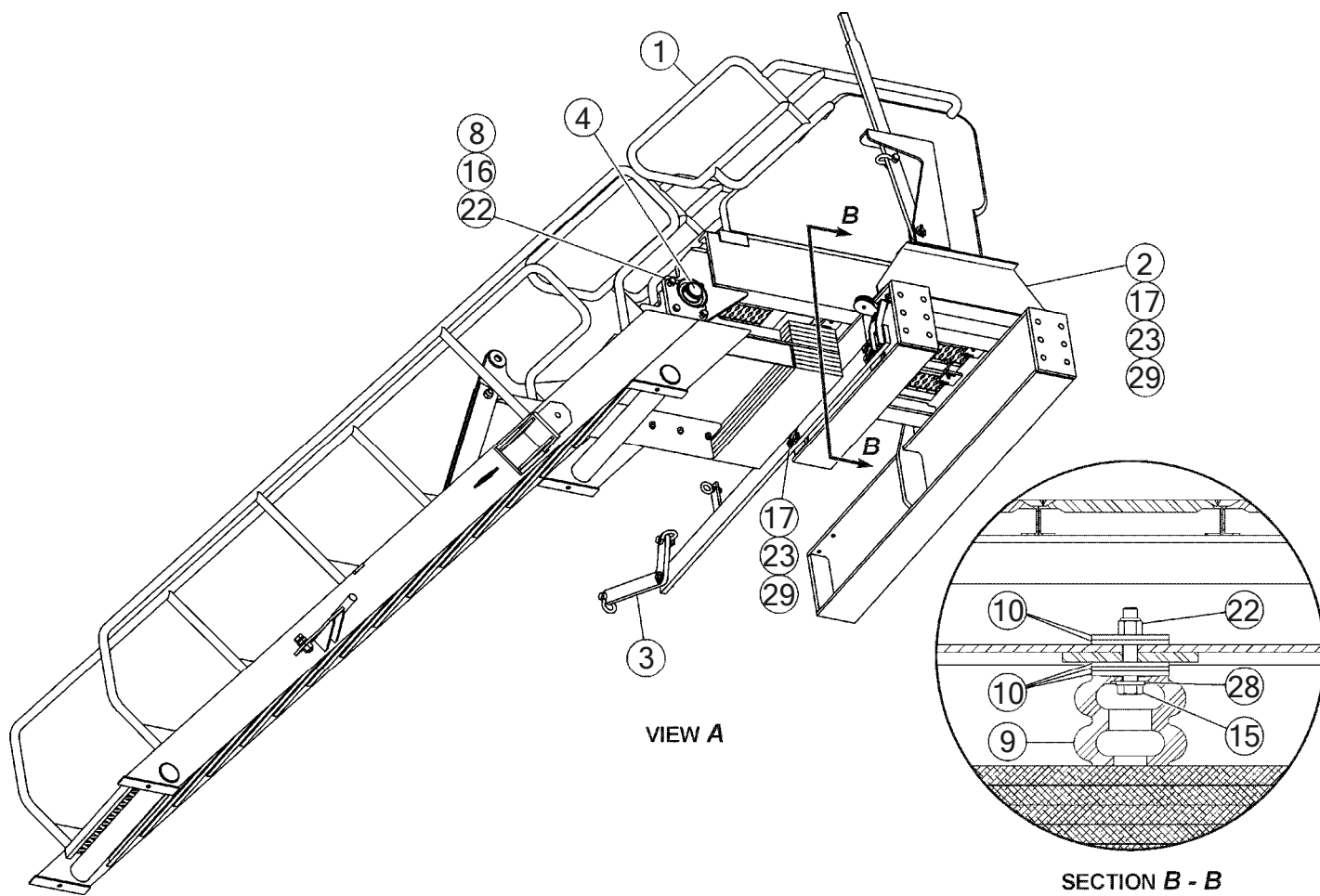
☆ *NOTE:*
RESERVOIR SUPPLIED WITH CLAMPS.

★ *NOTE:*
WASHER PUMP INCLUDED WITH ITEM 1 - WIPER RESERVOIR.



Bucyrus International, Inc.

Item	Qty	Part Number	Part Description	Go To Page
		S025475	KIT, HOIST G.C., LUBE PLUMBING	
1	8	03961300	· WASHER,LOCK,,375	
2	6	57061260	· ELBOW,PIPE,ST,.125x90DEG	
3	12	57169100	· CAP, INJECTOR COVER	
4	8	03279560	· SCR,HEX,,.375x1.75,UNC,GR5	
5	2	20766050	· PLUG,PIPE,SQ HD,,.375,6000#	
8	4	57169151	· INJECTOR ASSEMBLY, 3 W/MANIFOLD	57169151
9	3	20524900	· NIPPLE,PIPE,,.375(X)x1	
10	4	526490-07	· BAR,MOUNTING,.5x1	
11	6	78553800	· CONN,37FL,,.375TX.375P	
13	12	78553780	· CONN,37FL,,.375Tx.125P	
14	1	78638465	· TEE,TUBE,.75Tx.75Tx.75MP	
15	1	20131150	· CPLG,REDUCER,.75x.38 NPT	
16	1	78597496	· ELBOW,TUBE,90,.75Tx.375P,37FL	
17	1	650367-35	· HOSE ASSY,-6 STR-90 37 DEG JIC	
18	1	650367-33	· HOSE ASSY,-6 STR-90 37 DEG JIC	
19	1	650367-30	· HOSE ASSY,-6 STR-90 37 DEG JIC	
20	1	650366-64	· HOSE ASSY,-12 STR-STR 37 DEG	
21	1	650367-16	· HOSE ASSY,-6 STR-90,37 DEG	
22	6	20533450	· NIPPLE,PIPE,,.375(X)x9	
23	1	650367-45	· HOSE ASSY,-6 STR-90 37 DEG JIC	
24	1	650367-42	· HOSE ASSY,-6 STR-90 37 DEG JIC	
25	1	650367-39	· HOSE ASSY,-6 STR-90 37 DEG JIC	
26	2	650367-20	· HOSE ASSY,-6 STR-90,37 JIC	
27	6	78595820	· ELBOW,90,.375Tx.375FP,37FL	
28	6	82141116	· CLAMP,CUSHION,.75T	
29	12	IN 640505-05	· ANCHOR,CHANNEL,12	
31	1	650367-23	· HOSE ASSY,-6 STR-90 37 DEG JIC	
32	1	650367-21	· HOSE ASSY,-6 STR-90 37 DEG JIC	
33	1	650367-19	· HOSE ASSY,-6 STR-90 37 DEG JIC	
34	1	78623600	· NUT,CAP,TUBE,#12	



Bucyrus International, Inc.

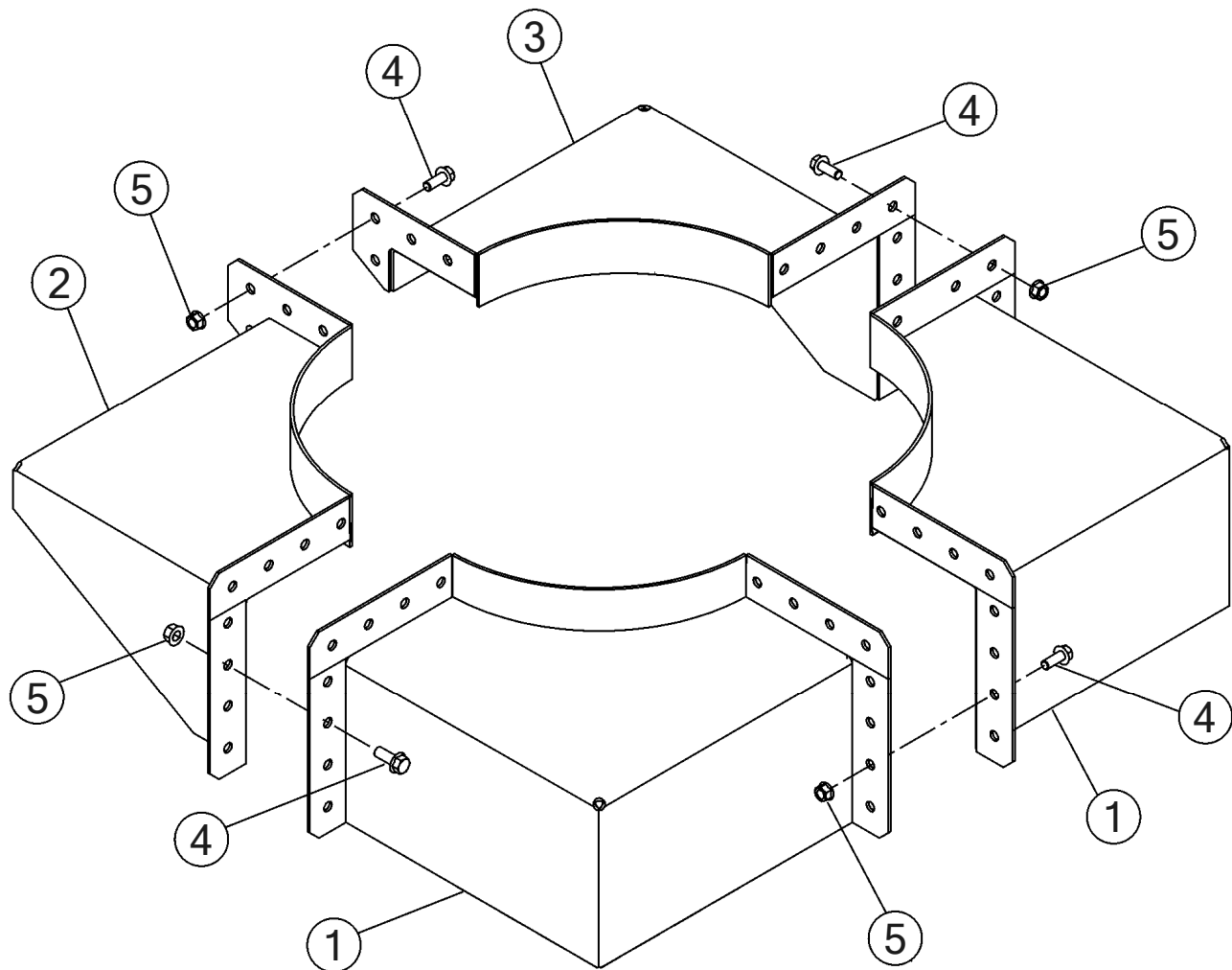
Item	Qty	Part Number	Part Description	Go To Page
		S025580	PEDESTAL,HOIST,RH,SHIP ASSY	
1	1	S025579	· PEDESTAL,HOIST,RH,WELD &	
2	2	S025566	· BUSHING,HOIST PEDESTAL	
3	2	S025565	· BUSHING,HOIST PEDESTAL	
4	2	S025546	· RETAINER	
5	2	S025583	· PIN ASSY, BEARING HOUSING	S025583
6	6	03301040	· SCR,HEX,1x3.25,UNC,GR5	
7	6	03962000	· WASHER,LOCK,1	

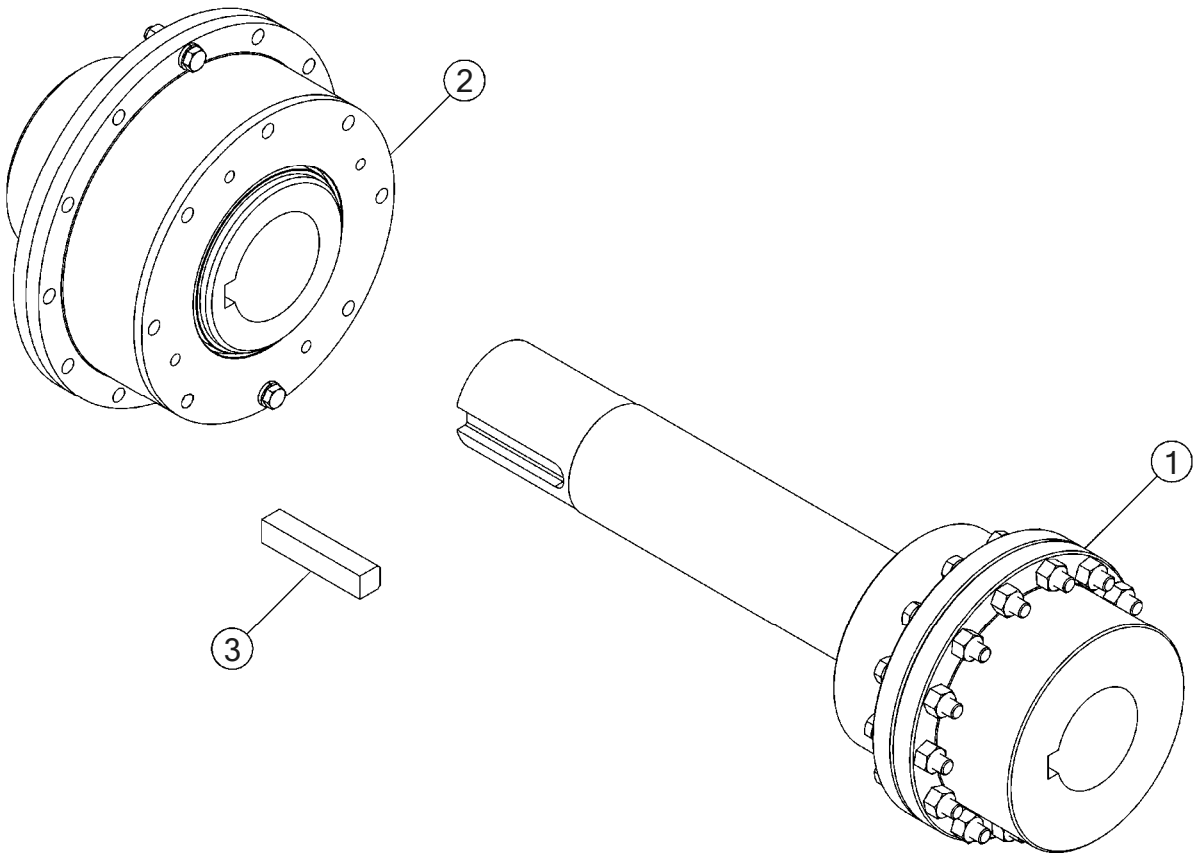
Bucyrus International, Inc.

Item	Qty	Part Number	Part Description	Go To Page
		S025600	GUARD, SWING	
6	2	82616772	· LUG,TIE DOWN RING, SPACER	

Bucyrus International, Inc.

Item	Qty	Part Number	Part Description	Remarks	Go To Page
		S025612-VG05	MOTOR,PROPEL/GUARDS,HF,FLD		
1	1	S006841	· SUPPORT,MOTOR,LH,WELD & M		
2	1	S006842	· SUPPORT,MOTOR,RH,WELD & M		
3	1	S006857	· SHIELD PLATE,WELDED		
4	1	S006858	· SHIELD PLATE,WELDED		
5	1	S006861	· PIPE		
6	1	S006862	· PLATE	0.5 x 6.00 x 18.6, FORMED	
7	1	S024810	· GUARD,PROPEL,LH,FLD ASSY		S024810
8	2	S024827	· GUARD,COUPLING,PROPEL MTR,ASS		S024827
9	2	S025611-VG05	· MOTOR/BLWR,PROPEL,SHIP AS		S025611-VG05
10	1	S024835	· SUPPORT,PIVOT,PROPEL GUAR		
11	1	S024849	· SUPPORT,CABLE COUPLER		
12	1	S024852	· PLATE	0.5 x 6.00 x 18.61, FORMED	
13	2	S024854	· SUPPORT,LEG,CABLE COUPLER		
16	6	S024868	· WASHER,PROPEL MTR GUARD		
17	2	S024879	· GUARD,GEARCASE BREATHER,P		
18	1	S024884	· GUARD,PROPEL,RH,FLD ASSY		S024884
19	8	S020755	· BAR,2x2x4.00		
20	8	S020756	· BAR,2x2x5.00		
21	8	B006561-01	· SHIM,PACK ELEC.MOTOR MTG.		
22	8	A003475-02	· CHOCKBAR,FLAT		
23	8	A003475-03	· CHOCK,MOTOR		
24	8	A003712-01	· BOLT,ROD		
25	2	MP600740	· SCREW,HEX		
26	3	03301780	· SCREW,HEX		
27	4	03301360	· SCREW,HEX		
28	6	03295600	· SCREW,HEX		
29	8	03294800	· SCREW,HEX		
30	8	03285405	· SCREW,HEX		
31	16	03773410	· SCREW,SET		
32	2	MP600349	· WASHER,HARDENED		
33	2	03952150	· WASHER,FLAT		
34	8	03951950	· WASHER,FLAT		
35	4	03951900	· WASHER,FLAT		
36	8	03961500	· WASHER,LOCK		
37	8	02786610	· NUT,HEX		
38	8	02718050	· NUT,HEX		
39	8	02718200	· NUT,HEX		
40	4	02716050	· NUT,HEX		
41	3	02786545	· NUT,HEX		
42	6	02786485	· NUT,HEX		



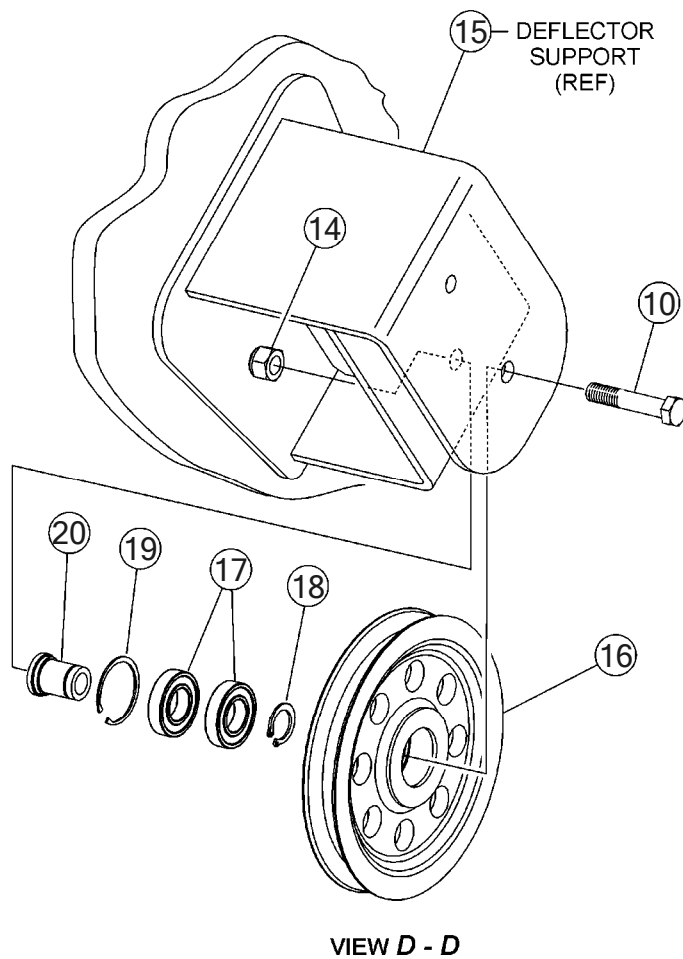
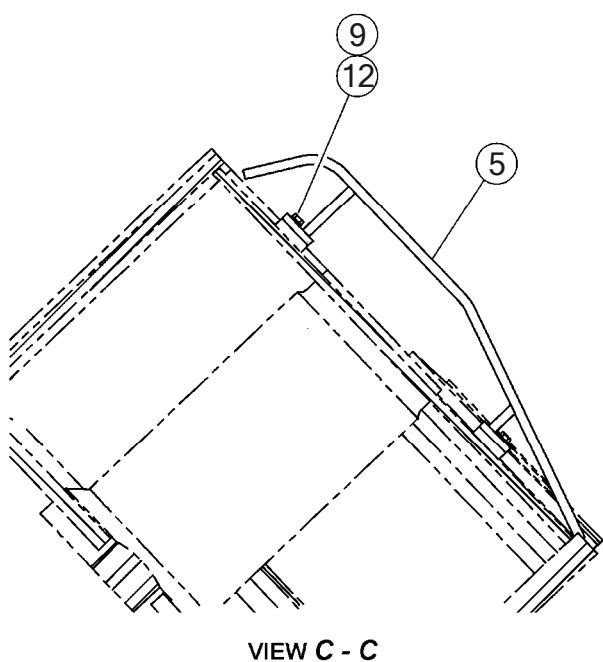


Bucyrus International, Inc.

Item	Qty	Part Number	Part Description	Remarks	Go To Page
		S031835	COMPRESSOR, FLD ASSY		
1	1	12971495	· VALVE, MOTOR DRAIN		12971495
3	1	S032706	· KIT, COMPRESSOR, AIR, AUX		S032706
4	1	20826150	· TEE, PIPE	STR, 0.75, 150#	
5	1	20230000	· ELBOW, PIPE	0.75 x 90DEG, 150#	
6	2	20022100	· BSHG, PIPE, HEX	1 x 0.75, 150#, BL	
7	1	20550500	· NIPPLE, PIPE	0.75(S) x 3.5	
8	3	20546900	· NIPPLE, PIPE	0.75(S) x 1.375, BL	
9	1	A002332-23	· PIPE	0.75(S) x 14	
11	1	82141131	· CUSHION CLAMP ASSY	1.05OD	
12	6	03285420	· SCREW, HEX	0.5 x 1.25, UNC, GR 8	
13	6	03972400	· WASHER, BEVEL	0.5, M0.10.	
14	6	03961500	· WASHER	LOCK, 0.5, HVY	
15	1	12090105	· COMPRESSOR ASSY,DUAL 10HP	2 x 10HP, 575-3-60	12090105

Bucyrus International, Inc.

Item	Qty	Part Number	Part Description	Go To Page
		S032683	GUARD, HOIST CPLG, MOTOR	
1	1	S032679	· SHEET, 10GA x 24.00 x 34.70	
2	1	S032680	· SHEET, 10GA x 22.81 x 24.00	
3	1	S032681	· SHEET, 10GA x 24.00 x 36.71	
4	1	S032682	· PLATE, 0.19 x 27.44 x 34.75	
5	2	S015070	· BAR, 0.188 x 1.69 x 3.38	
6	2	82505300	· HINGE, PLAIN, F.PIN, 3 x 3	
7	1	82132530	· CATCH, ADJUSTABLE	
8	6	03642260	· SCR, PAN, M, 0.190 x 0.75, UNC	
9	6	02705050	· NUT, HEX , FULL, 0.190-24, UNC	
10	3	544477-04	· CLIP, MTG, BAR, 0.75 x 2 x 2	
11	3	03961500	· WASHER, LOCK, 0.5, HVY	
12	3	03285240	· SCR, HEX , 0.5 x 0.75, UNC, GR 5	



Bucyrus International, Inc.

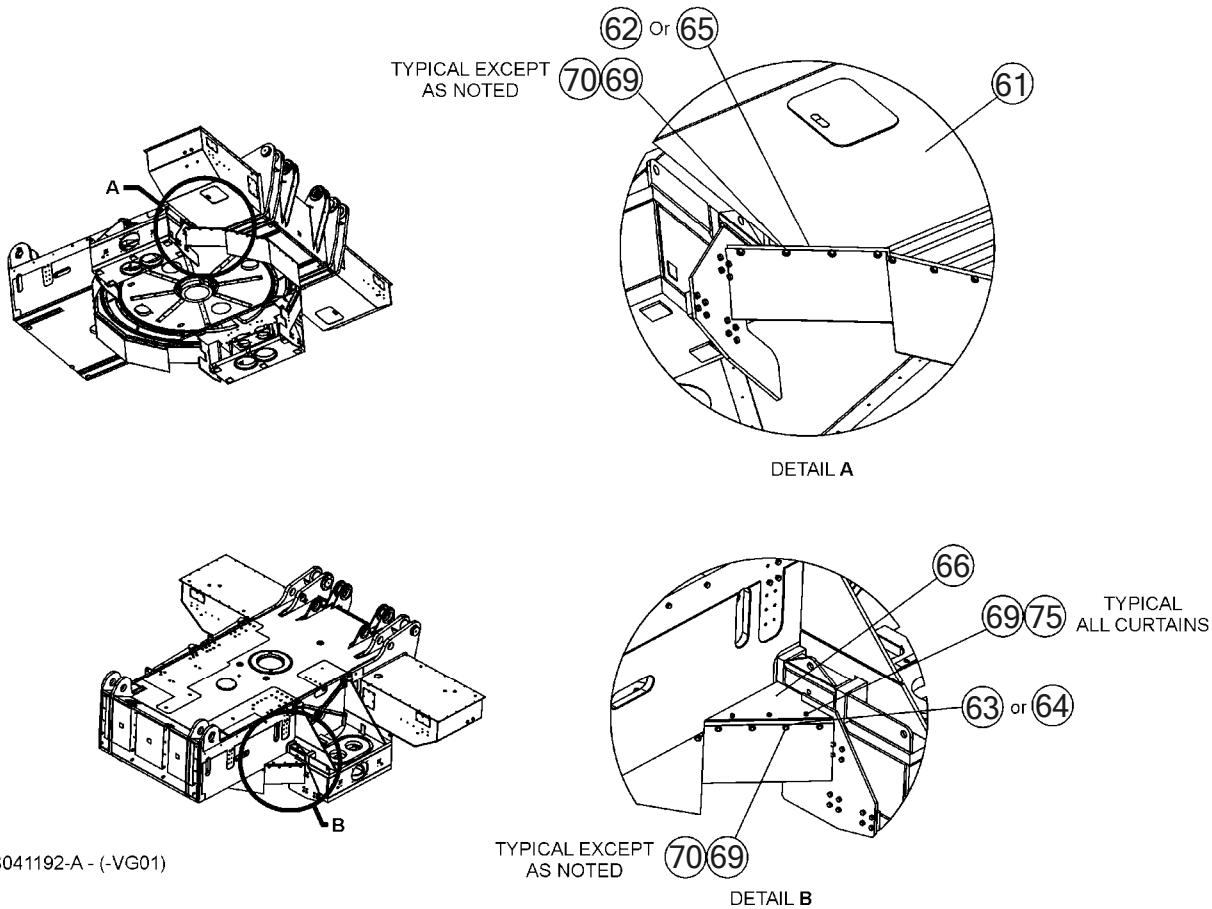
Item	Qty	Part Number	Part Description	Remarks	Go To Page
		S035073	SHROUD, ROPE CROWD, FIELD ASSY		
1	2	S031298	· BAR		
2	1	S035013	· PANEL, FRONT, RH, WELDMENT		
3	1	S035016	· PANEL, FRONT, RH, WELDMENT		
4	1	S035019	· PANEL, FRT LOW, RH, WELDMENT		
5	1	S035020	· PANEL, FRT LOW, LH, WELDMENT		
6	1	S035037	· BEAM, HOOD, WELDMENT		
7	2	S035061	· PLATE		
8	2	S035076	· ANGLE		
9	2	S035077	· BAR		
10	1	S035086	· SHROUD, RH, DRUM, CROWD		
11	1	S035087	· SHROUD, LH, DRUM, CROWD		
12	1	S035088	· SHROUD, DRUM, CROWD		
13	1	S035113	· ANGLE		
14	1	S035120	· PANEL, ROPE CROWD, SHIP ASSY		S035120
15	12	03291560	· SCREW, HEX	0.63 x 1.75, UNC, GR5	
16	4	03291360	· SCREW, HEX	0.63 x 1.125, UNC, GR	
17	18	03291480	· SCREW, HEX	0.63 x 1.5, UNC, GR5	
18	10	03291720	· SCREW, HEX	0.63 x 2.25, UNC, GR5	
19	24	03961700	· WASHER, LOCK	0.63, HVY	
20	5	03951851	· WASHER, FENDER	0.63 x 2.5 x 0.1	
21	16	03951850	· WASHER, FLAT	0.63, HARDENED	
22	40	03572345	· SCREW, HEX	0.63 x 1.5, UNC	
23	35	02764533	· NUT, HEX	0.63, UNC, C PL	
28	20	02786465	· NUT, HEX	0.63, UNC	
29	44	03951800	· WASHER, FLAT	0.63	

Bucyrus International, Inc.

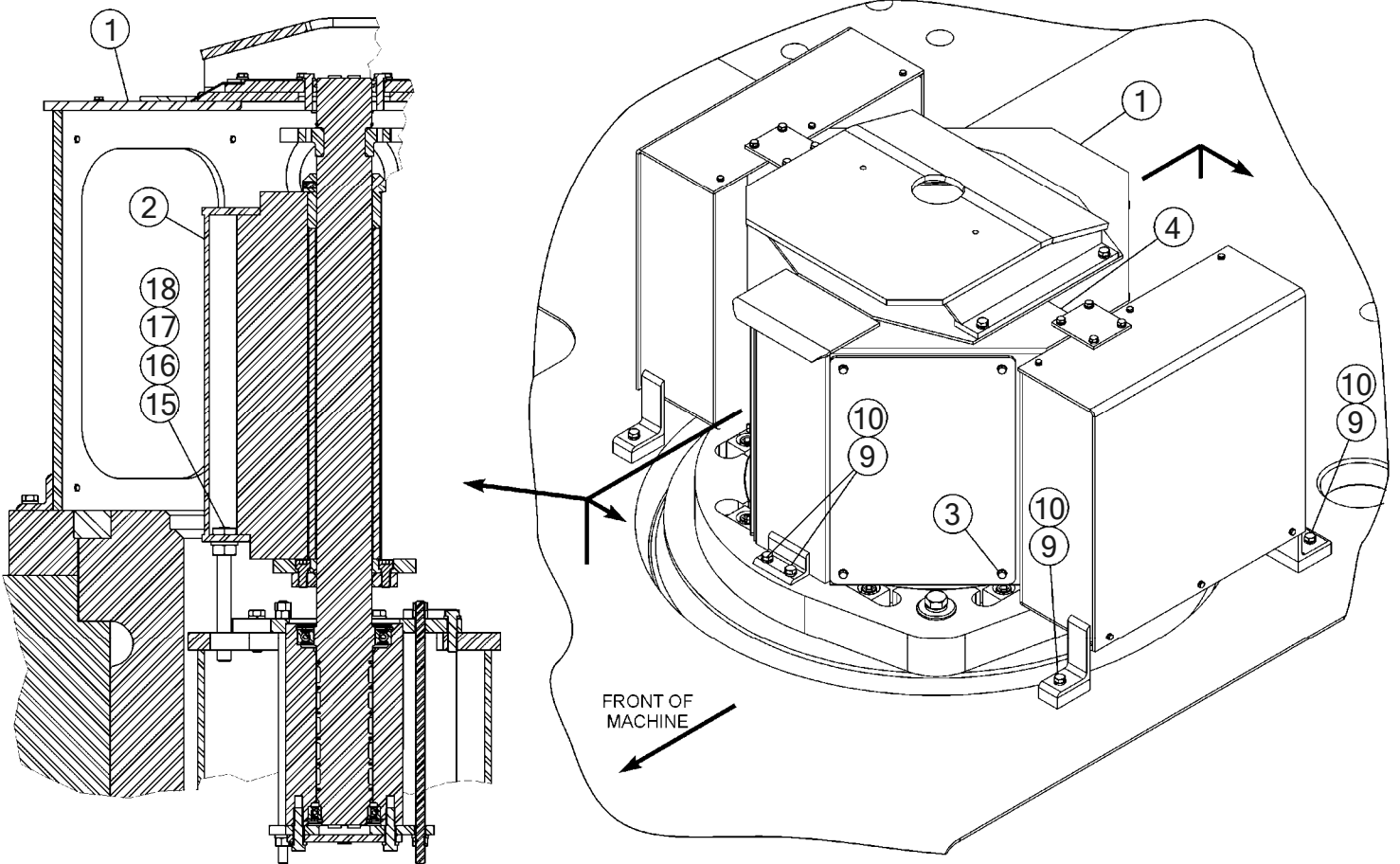
Item	Qty	Part Number	Part Description	Go To Page
		S035558	PADLOCK,RH,SHIP ASSY	
1	1	D027229-01	· FRAME,PADLOCK SHEAVE	
2	1	S035554	· LINK,PADLOCK,RH	
3	1	D022732-02	· SHEAVE,PADLOCK	
4	1	C113433-01	· PIN,WELDED,6 INCH DIA	
5	1	C113151-01	· PIN,PADLOCK	
6	1	B007549-01	· SPACER,TUBE	
7	1	B005732-01	· BUSHING	
8	2	B005731-01	· BUSHING	
9	2	B005730-01	· BUSHING	
10	2	B005729-01	· BUSHING	
11	2	S035556	· BUSHING	
12	2	A003488-02	· WASHER,THRUST	
13	4	82232300	· DOWEL,BRASS	
14	2	02458930	· BOLT,TEE,1.25	
15	1	02458880	· BOLT,TEE,1.25	

Bucyrus International, Inc.

Item	Qty	Part Number	Part Description	Go To Page
		S035625	DOOR,DIPPER,WELDED	
2	1	S031624	· BLOCK	
36	2	C117575-01	· BUSHING	
38	1	A003519-04	· WEAR BAR	
39	2	B004601-08	· FORGING,HUB,DOOR HINGE	



NOTE: Reference S041192-A - (-VG01)



CLICK HERE TO **DOWNLOAD** THE COMPLETE MANUAL

- Thank you very much for reading the preview of the manual.
- You can download the complete manual from: www.heydownloads.com by clicking the link below



- Please note: If there is no response to CLICKING the link, please download this PDF first and then click on it.

CLICK HERE TO **DOWNLOAD** THE COMPLETE MANUAL