
325C 325C L Track-Type Excavators

Powered by 3126 Engine

SERIAL NUMBER

**BKH1 To Last Built(Vehicle)
BKT1 To Last Built(Vehicle)
BLA1 To Last Built(Vehicle)
BLX1 To Last Built(Vehicle)
5GG00194 To Last Installed(Engine)**

CLICK HERE TO **DOWNLOAD** THE COMPLETE MANUAL

- Thank you very much for reading the preview of the manual.
- You can download the complete manual from: www.heydownloads.com by clicking the link below



- Please note: If there is no response to CLICKING the link, please download this PDF first and then click on it.

CLICK HERE TO **DOWNLOAD** THE COMPLETE MANUAL

INDEX

Name	Page	Name	Page
LEVER GP.....	660	MONITOR GP - OPERATOR	638
LIFTER GP - VALVE	46	MOTOR & MTG GP - SWING.....	492
LIFTING GP - ENGINE.....	28	MOTOR & MTG GP - TRAVEL.....	496
LIGHTING GP - BOOM.....	232	MOTOR AS - WINDOW WIPER.....	633
LIGHTING GP - CAB.....	230	MOTOR GP - FAN DRIVE.....	502
LIGHTING GP - CHASSIS.....	229	MOTOR GP - SWING	493
LINES GP - AIR.....	98	MOTOR GP - TRAVEL.....	498
LINES GP - AIR CONDITIONER.....	688	MOUNTING GP - ENGINE	59
LINES GP - AUXILIARY HYDRAULIC.....	384	MOUNTING GP - ENGINE OIL FILTER.....	71
LINES GP - BOOM.....	374	MOUNTING GP - GREASE GUN	262
LINES GP - BOOM CYLINDER.....	368	MOUNTING GP - VALVE	520
LINES GP - BUCKET CYLINDER.....	371	MUFFLER GP.....	105
LINES GP - COOLING	84		
LINES GP - DRAIN.....	106		
	418		
	484		
LINES GP - ENGINE OIL	62		
LINES GP - FRONT.....	466		
LINES GP - FUEL.....	112		
LINES GP - GREASE	732		
LINES GP - HEATER.....	698		
LINES GP - MOTOR.....	434		
LINES GP - OIL DRAIN	70		
LINES GP - PILOT.....	440		
LINES GP - PUMP.....	432		
LINES GP - RETURN & FILTER	486		
LINES GP - STICK	378		
LINES GP - STICK CYLINDER.....	370		
LINES GP - SWING MOTOR.....	488		
LINES GP - TRAVEL MOTOR	428		
LINES GP - TURBOCHARGER OIL.....	66		
LINES GP - WATER.....	90		
LINK AS.....	665		
LINK AS - TRACK.....	317		
LINKAGE AR - BUCKET.....	709		
LINKAGE GP - BUCKET	734		
LITERATURE GP.....	674		

P

PAN GP - OIL.....	58
PANEL GP - CIRCUIT BREAKER	144
PISTON & ROD GP	31
PLATE & FILM GP.....	764
PLATFORM GP - OPERATOR.....	659
PLUG GP.....	538
	552
	595
PLUG GP - ENGINE	21
PULLEY GP	53
PUMP & MOUNTING GP	107
	331
PUMP & MTG GP - UNIT INJ HYD.....	107.01
PUMP GP	118
PUMP GP - ENGINE OIL.....	68
PUMP GP - FUEL PRIMING	120
PUMP GP - FUEL TRANSFER	117
PUMP GP - GEAR	342
PUMP GP - MAIN HYDRAULIC	334
PUMP GP - UNIT INJECTION	110
PUMP GP - UNIT INJECTOR HYD.....	108
PUMP GP - WATER.....	88

M

MANIFOLD GP - EXHAUST	102
MIRROR GP - REAR VIEW.....	658
MONITOR & MTG GP - OPERATOR	637

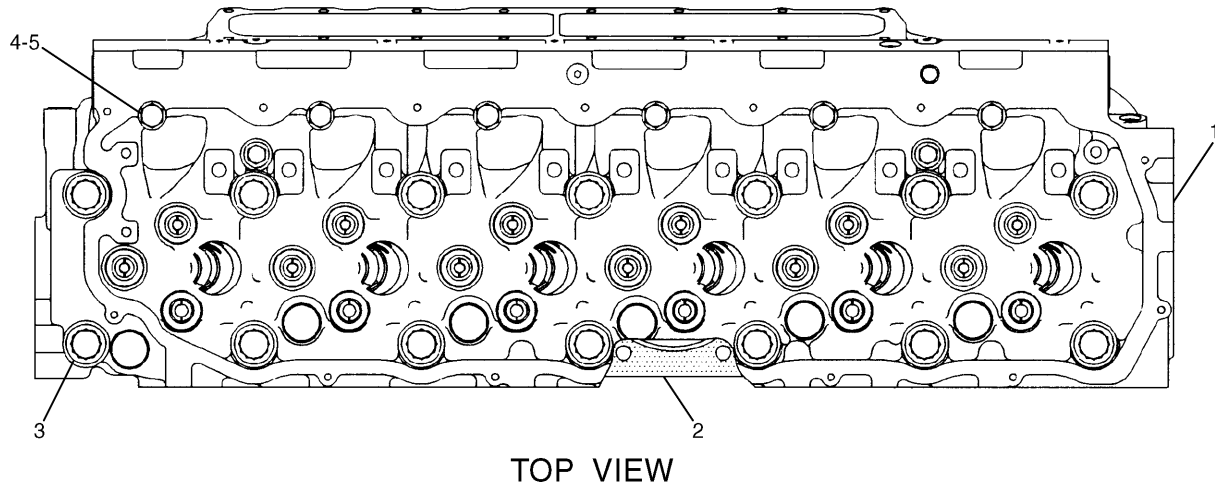
R

RADIATOR & AFTERCOOLER GP	72
RADIATOR GP.....	74
RADIO GP - AM/FM.....	646

MEMORANDA

MEMORANDA

BASIC ENGINE



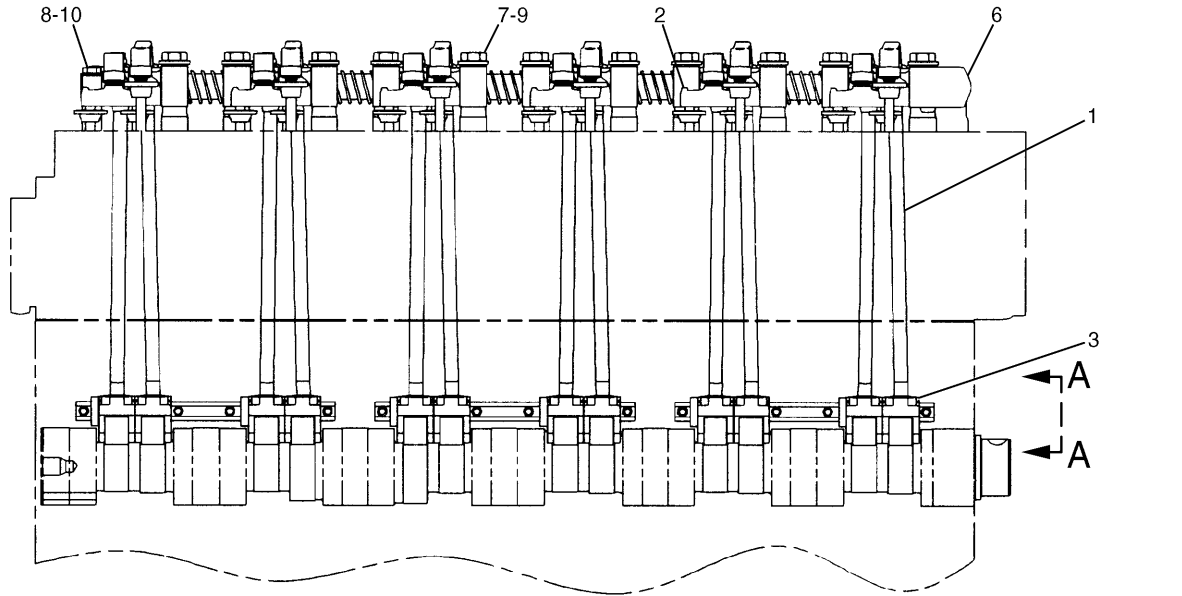
NOTE	No.	PART No.	QTY	PART NAME	NOTE	No.	PART No.	QTY	PART NAME
Y	1	183-6834	1	HEAD GP					
	2	133-4995	1	GASKET					
	3	8T-3282	14	WASHER					
		138-3252	14	BOLT					
	4	8T-7950	6	BOLT (L=180mm)					
	5	6V-5839	6	WASHER					

Y-SEE SEPARATE ILLUSTRATION

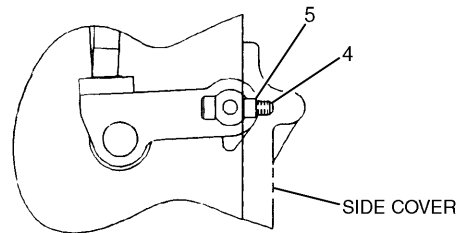
H74763E 00

133-3742 CYLINDER HEAD GP
 Part of 159-3459-Page16,233-6947-Page17.01
 183-6834-Page34

BASIC ENGINE



RIGHT SIDE VIEW



A - A

NOTE	No.	PART No.	QTY	PART NAME	NOTE	No.	PART No.	QTY	PART NAME
	1	133-6379	12	ROD					
	2	145-7384	6	BRIDGE					
Y	3	139-4081	3	LIFTER GP					
	4	8T-8442	12	BOLT (L=30mm)					
	5	3E-9412	6	DOWEL					
Y	6	155-4773	1	MECHANISM GP					
	7	6V-5696	11	BOLT (L=80mm)					
	8	9M-1974	2	WASHER					
	9	5P-8245	11	WASHER					
	10	8T-0100	2	BOLT (L=60mm)					

Y-SEE SEPARATE ILLUSTRATION

H74765E 00

135-2969 VALVE MECHANISM GP
 Part of 159-3459-Page16,233-6947-Page17.01
 155-4773-Page45,139-4081-Page46

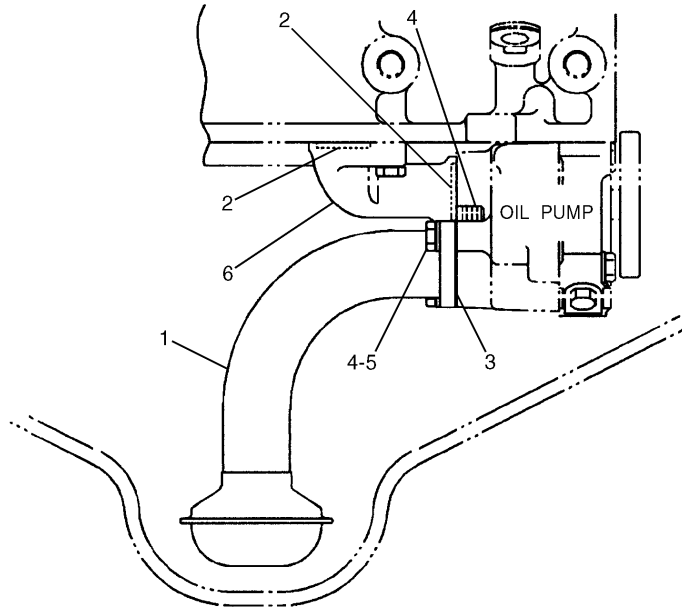
BASIC ENGINE

NOTE	No.	PART No.	QTY	PART NAME	NOTE	No.	PART No.	QTY	PART NAME
	1	113-6069	1	PLATE					
	2	115-4219	1	PLATE					
	3	200-4495	1	SHAFT					
	4	205-1320	1	GEAR AS					
	5	115-4072	1	BEARING					
	6	6V-5843	2	BOLT (L=45mm)					
	7	136-4183	1	BOLT (L=30mm)					

H90346E 02

205-1321 GEAR GP-FRONT
 S/N BKH 00345-Up, BKT 00331-Up, BLA 00213-Up, BLX 00307-Up
 Part of 233-6947-Page17.01

LUBRICATION SYSTEM



SIDE VIEW

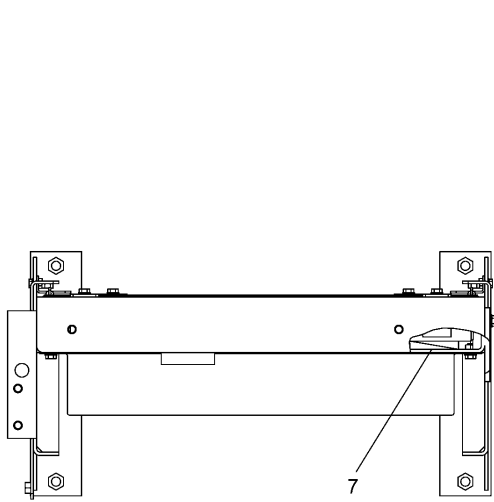
NOTE	No.	PART No.	QTY	PART NAME
	1	7C-5403	1	TUBE AS
	2	3P-1156	2	SEAL-O-RING (ID=21.82mm)
	3	7W-5340	1	GASKET
	4	6V-3940	4	BOLT (L=25mm)
	5	9M-1974	2	WASHER
	6	4W-2232	1	ELBOW

H70231E 00

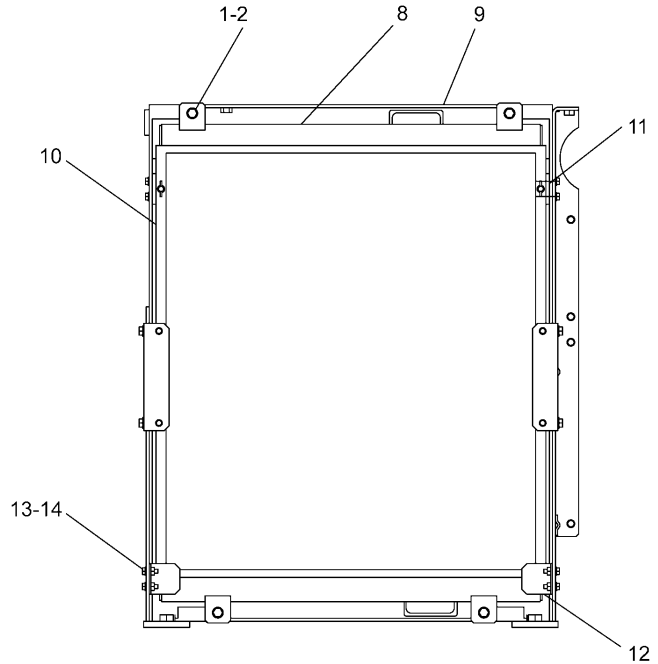
7C-2475 LINES GP-ENGINE OIL
 Part of 159-3458-Page13,234-2918-Page15.02

MEMORANDA

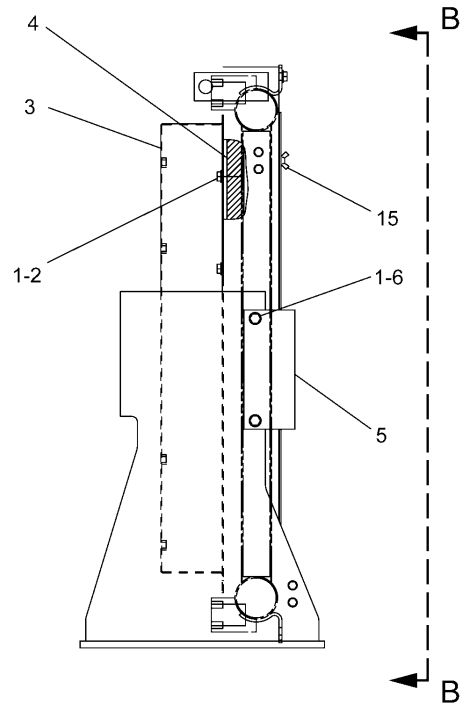
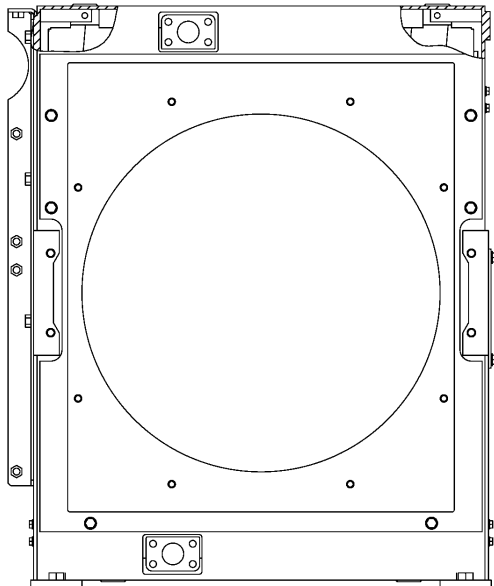
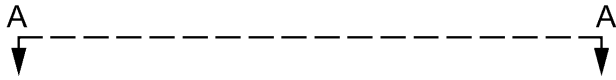
COOLING SYSTEM



A - A



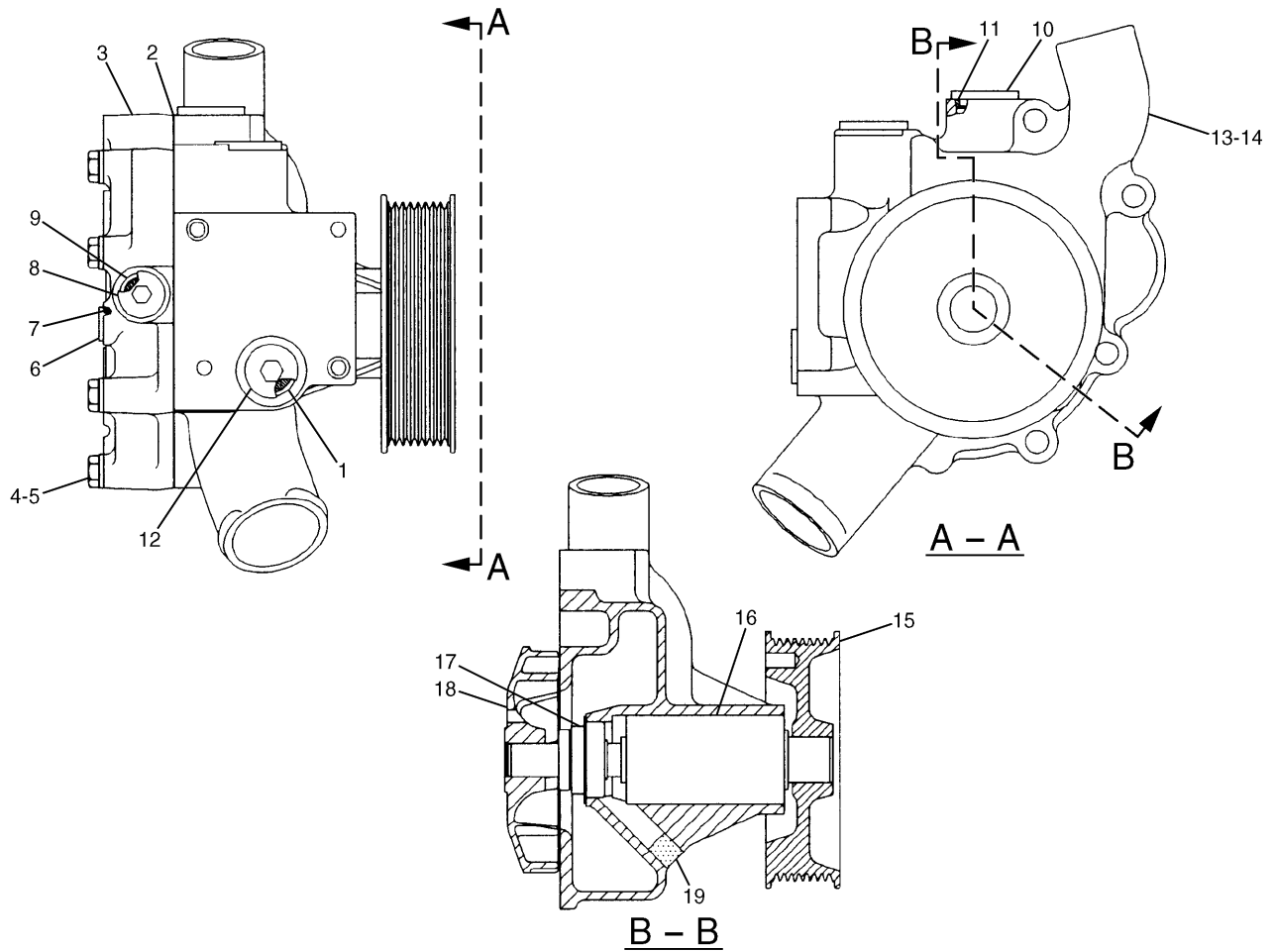
B - B



H91506E 00

265-3567 COOLER GP-OIL
 S/N BKH 00345-Up, BKT 00331-Up, BLA 00213-Up, BLX 00307-Up
 Part of 183-8089-Page77

COOLING SYSTEM

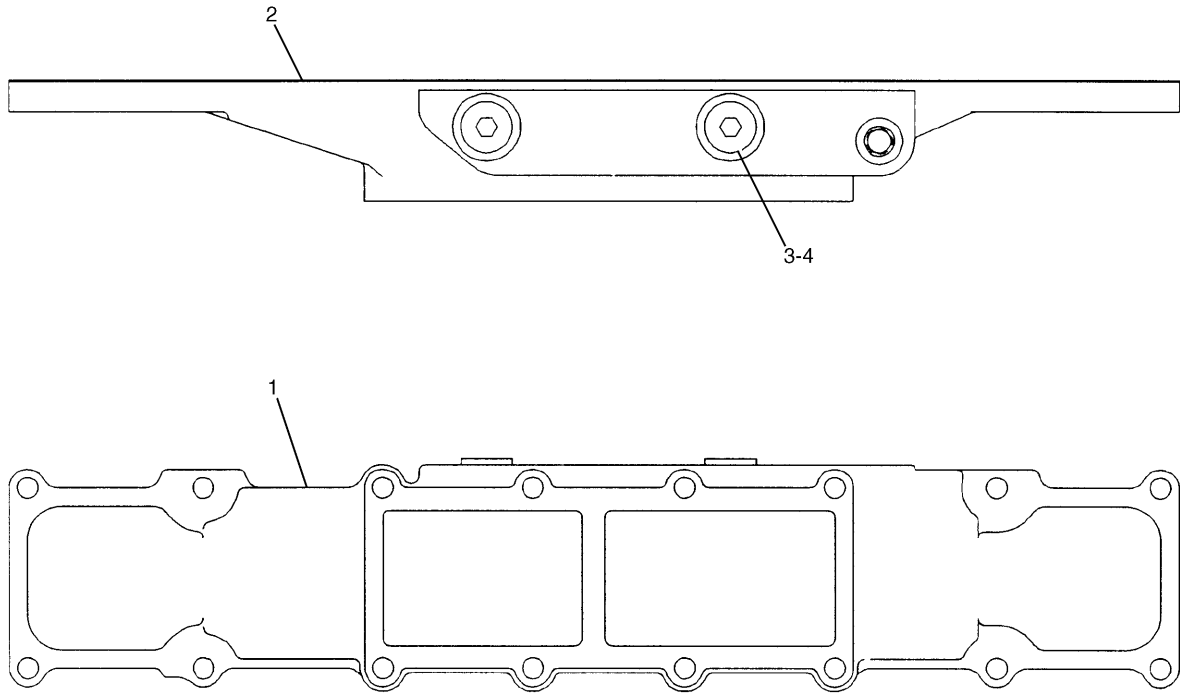


NOTE	No.	PART No.	QTY	PART NAME	NOTE	No.	PART No.	QTY	PART NAME
	1	2M-9780	1	SEAL-O-RING (ID=19.18mm)					
	2	4W-7592	1	GASKET					
	3	4W-0253	1	COVER					
	4	6V-3918	4	BOLT (L=50mm)					
	5	9M-1974	4	WASHER					
	6	9S-8003	1	PLUG					
	7	1J-9671	1	SEAL-O-RING (ID=10.52mm)					
	8	9S-8005	1	PLUG					
	9	3K-0360	1	SEAL-O-RING (ID=16.36mm)					
	10	9S-8008	2	PLUG					
	11	3D-2824	2	SEAL-O-RING (ID=23.47mm)					
	12	9S-8006	1	PLUG					
	13	159-3139	1	PUMP AS					
	14	129-1169	1	HOUSING					
	15	117-3437	1	PULLEY					
	16	129-1170	1	SHAFT AS					
	17	147-5088	1	SEAL AS					
	18	152-3952	1	IMPELLER					
	19	119-3025	1	FILTER					

H74797E 00

160-8186 PUMP GP-WATER
Part of 177-9823-Page88

AIR INLET AND EXHAUST SYSTEM

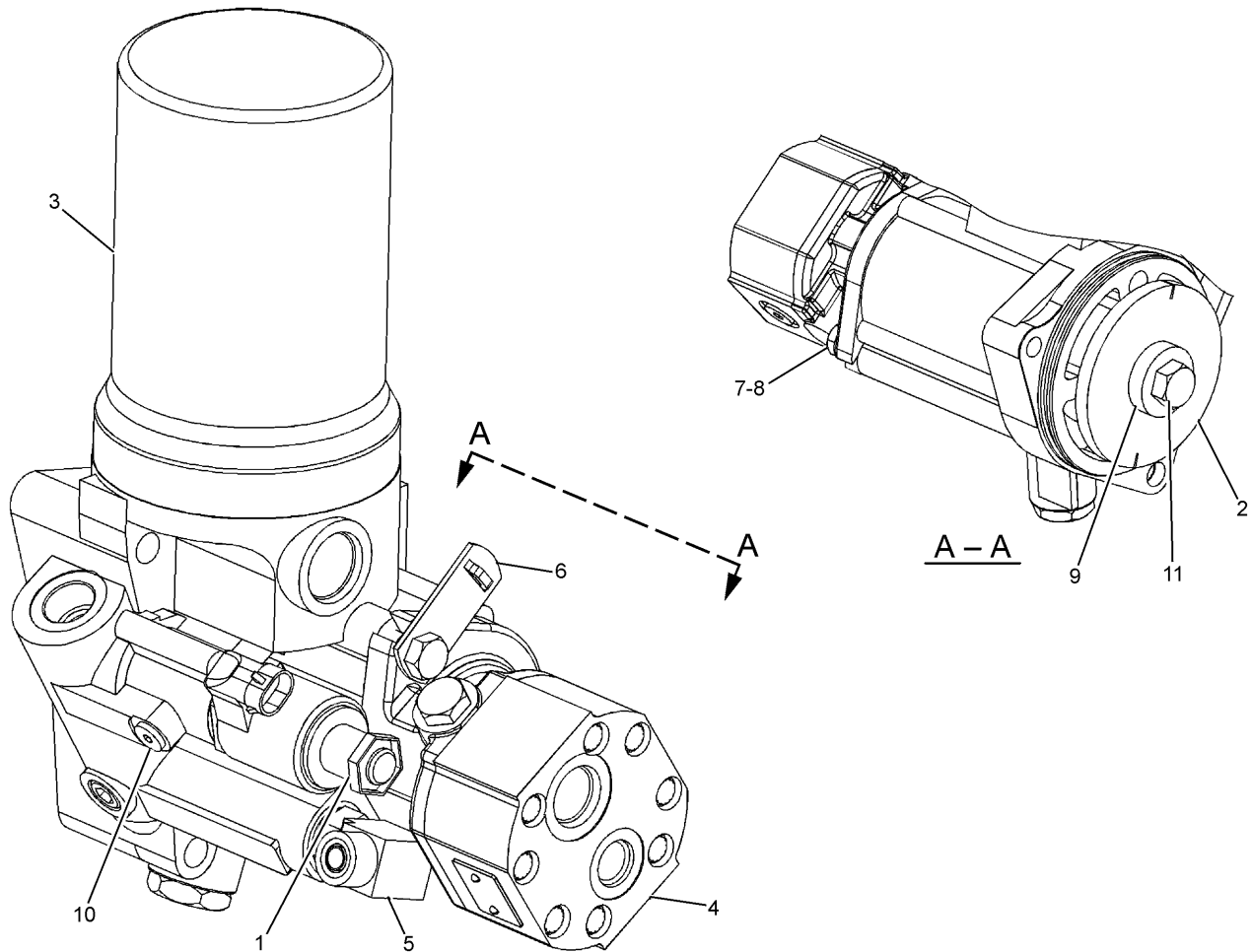


NOTE	No.	PART No.	QTY	PART NAME	NOTE	No.	PART No.	QTY	PART NAME
	1	175-3214	1	COVER					
	2	144-3472	1	GASKET					
	3	9S-8005	2	PLUG					
	4	3K-0360	2	SEAL-O-RING (ID=16.36mm)					

H74802E 00

153-1794 COVER GP-AIR INLET
 Part of 159-3458-Page13,234-2918-Page15.02

FUEL SYSTEM



NOTE	No.	PART No.	QTY	PART NAME	NOTE	No.	PART No.	QTY	PART NAME
Y	1	122-5053	1	VALVE GP					
	2	128-3473	1	GEAR (Z=36)					
	3	162-9610	1	PUMP GP					
	4	162-9612	1	PUMP GP					
	5	250-1424	1	ELBOW AS					
		6V-8724	1	ELBOW					
		214-7568	1	SEAL-O-RING (ID=11.89mm)					
		221-3494	1	SEAL-O-RING (OD=12.83mm)					
	6	4P-5918	1	CLIP					
	7	8T-4224	1	WASHER					
	8	8T-7547	2	BOLT (L=30mm)					
	9	118-0275	1	WASHER					
	10	131-1845	1	PLUG					
	11	8T-4139	1	BOLT (L=30mm)					
F		144-7339	1	SEAL-O-RING (ID=56.82mm)					

F-NOT SHOWN

Y-SEE SEPARATE ILLUSTRATION

H93257E 01

180-7341 PUMP GP-UNIT INJECTOR HYD

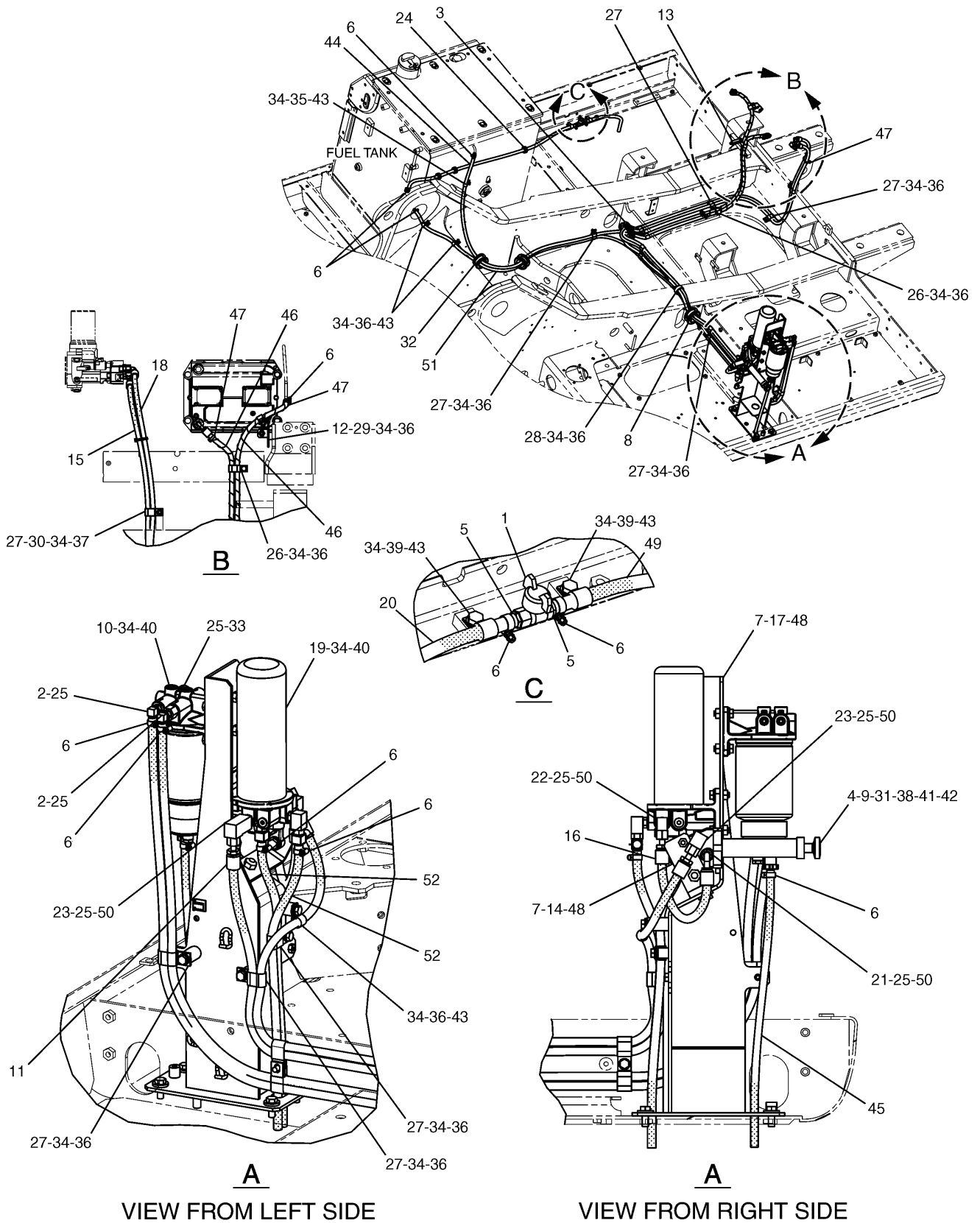
Type 2

S/N BKH 00345-Up, BKT 00331-Up, BLA 00213-Up, BLX 00307-Up

Part of 178-7521-Page107.01

122-5053-Page109

FUEL SYSTEM

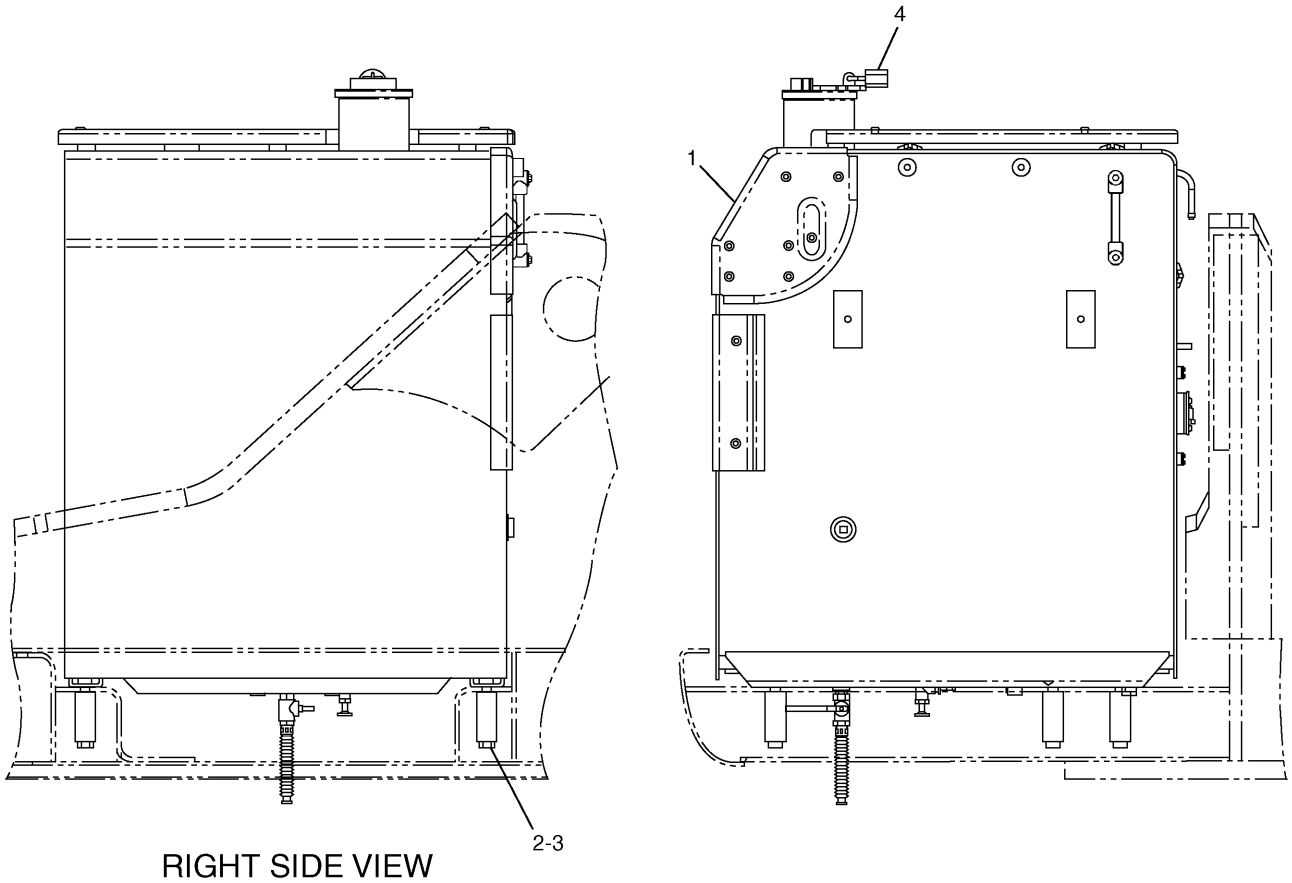


H87415E 02

240-2986 LINES GP-FUEL

S/N BKH 00350-Up, BKT 00341-Up, BLA 00214-Up, BLX 00308-Up
 234-5135-Page116.01,183-5876-Page118.01,183-2824-Page120

FUEL SYSTEM



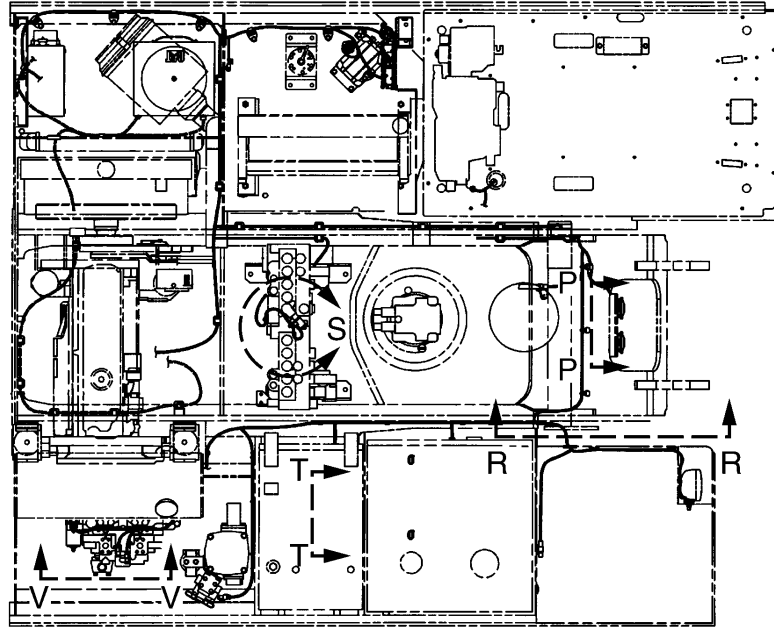
NOTE	No.	PART No.	QTY	PART NAME	NOTE	No.	PART No.	QTY	PART NAME
Y	1	177-5816	1	TANK GP					
	2	177-5886	4	SPACER					
	3	8T-4174	4	BOLT (L=120mm)					
	4	246-2641	1	PADLOCK GP					

Y-SEE SEPARATE ILLUSTRATION

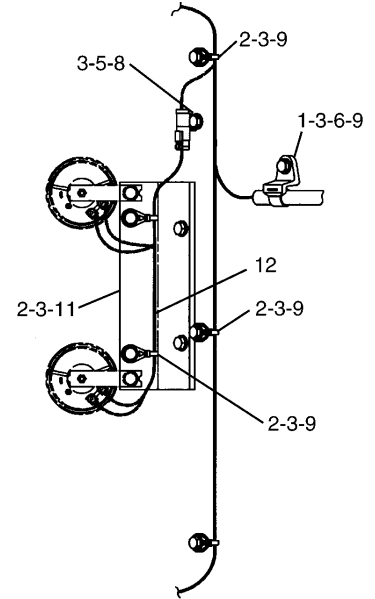
H92531E 02

177-5815 TANK & MTG GP-FUEL
 S/N BKH 1-00349, BKT 1-00340, BLA 1-00213, BLX 1-00307
 177-5816-Page122

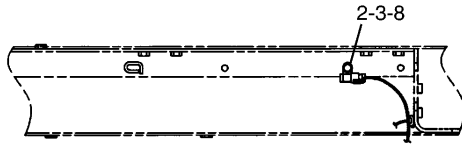
ELECTRICAL AND STARTING SYSTEM



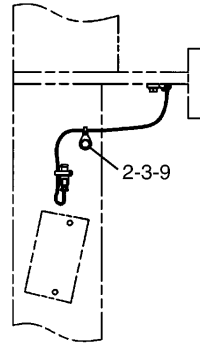
↑ U ↑ U TOP VIEW



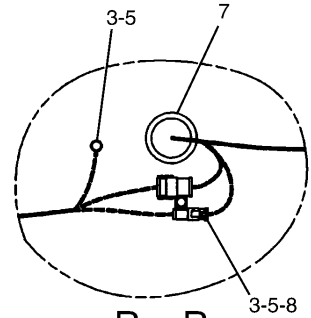
P - P



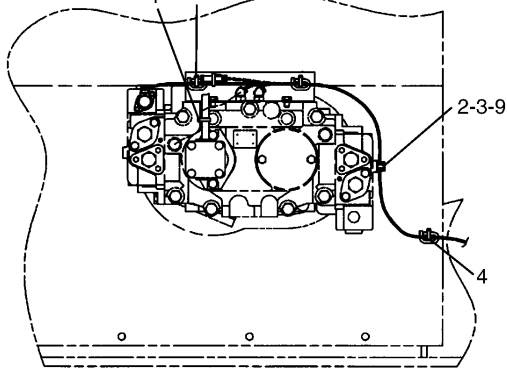
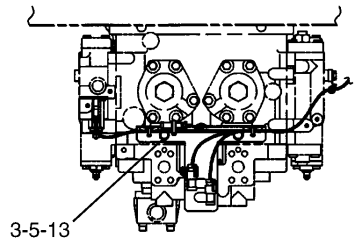
U - U



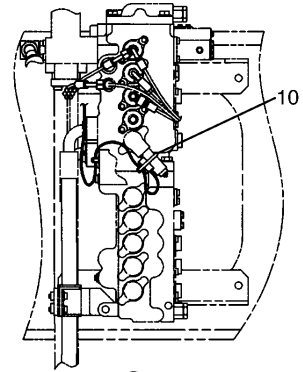
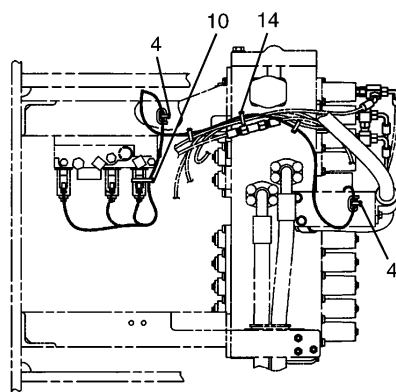
T - T



R - R



V - V



S

H84857E 04

183-1013 BATTERY & WIRING GP (3/4)
 S/N BKH 1-00328, BKT 1-00311, BLA 1-00212, BLX 1-00306
 163-6750-Page140

ELECTRICAL AND STARTING SYSTEM

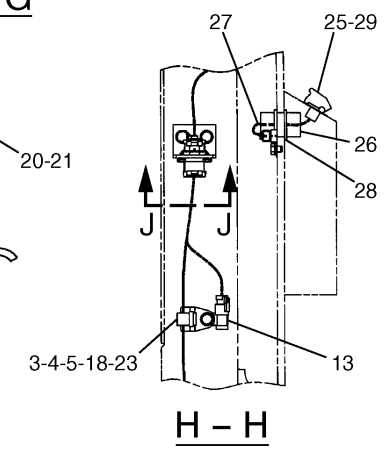
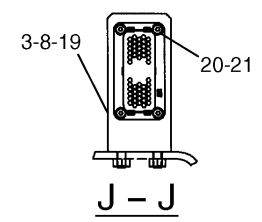
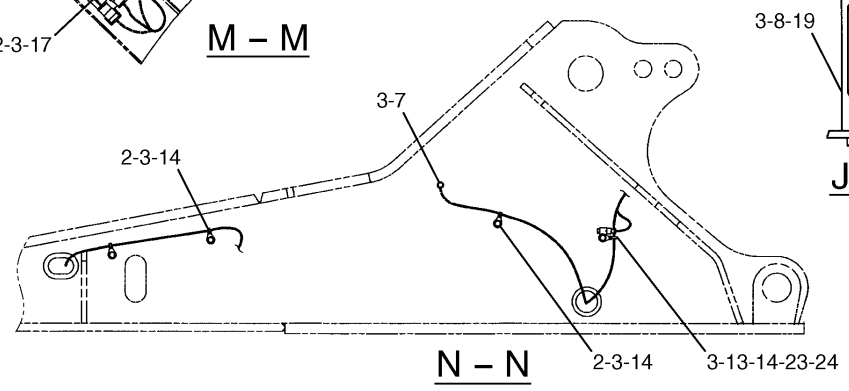
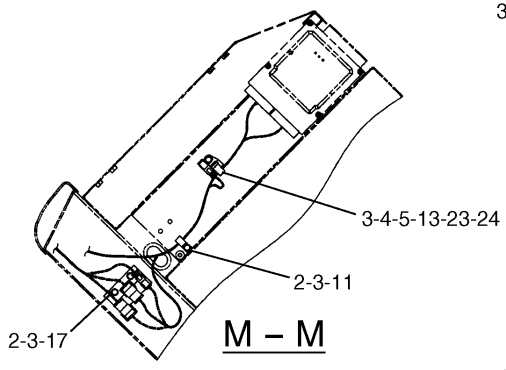
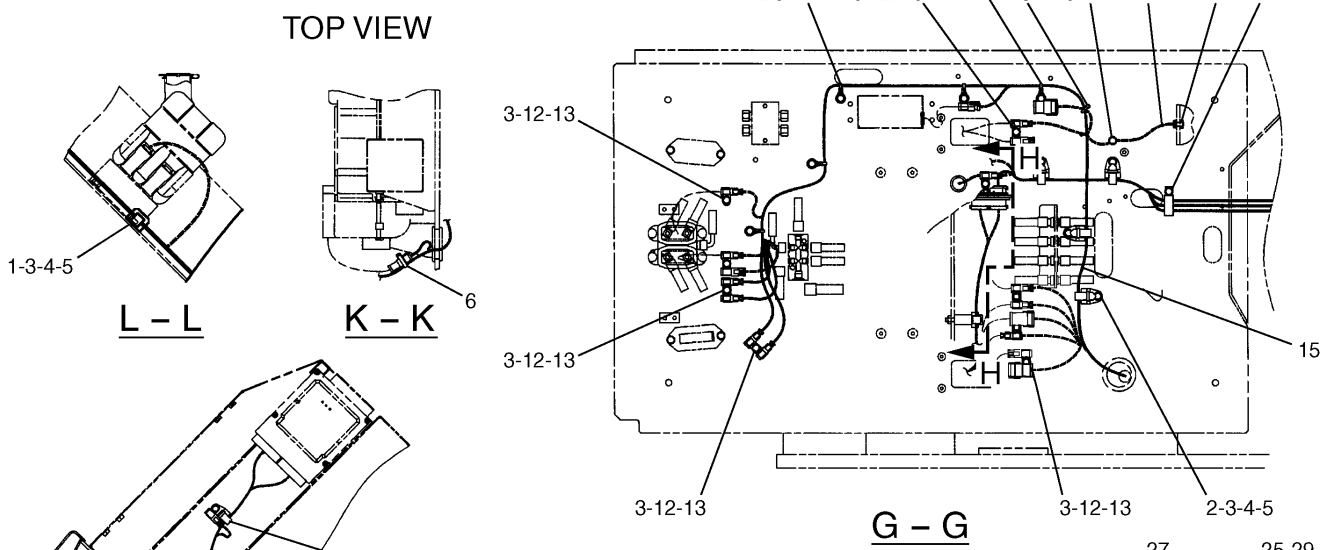
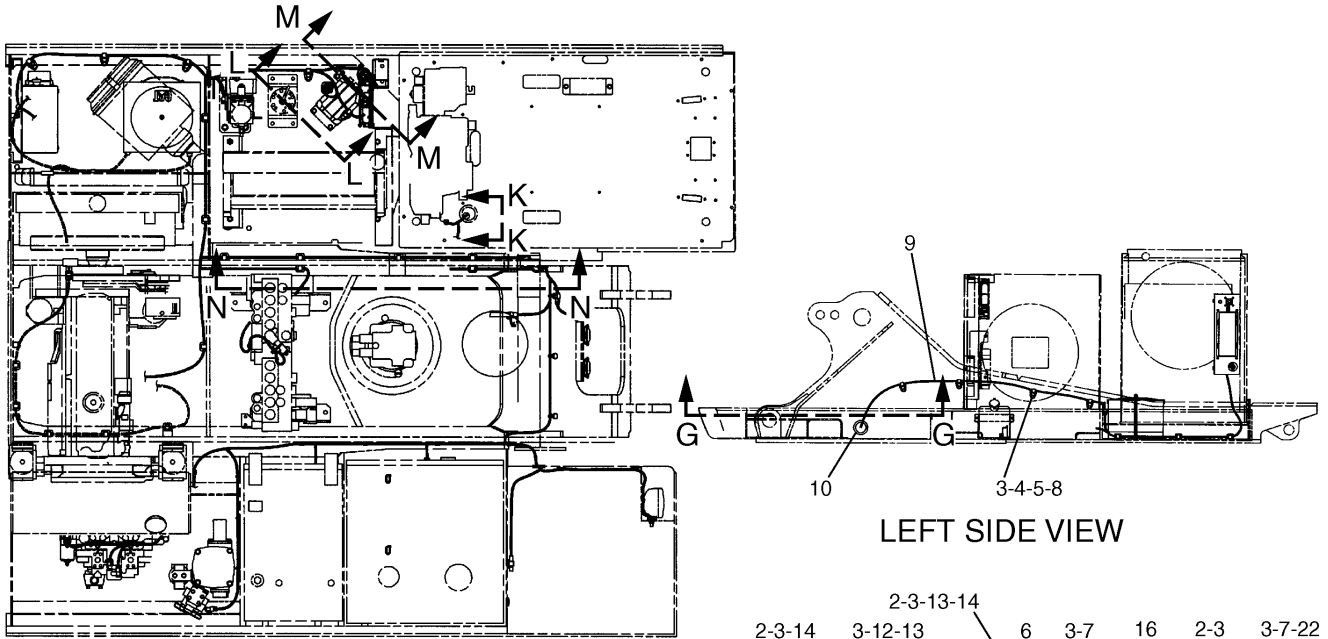
NOTE	No.	PART No.	QTY	PART NAME	NOTE	No.	PART No.	QTY	PART NAME
	1	111-4837	4	CLIP					
	2	8T-4137	8	BOLT (L=20mm)					
	3	8T-4121	11	WASHER					
	4	3S-2093	11	STRAP					
	5	8T-4200	1	BOLT (L=16mm)					
	6	128-8928	1	BRACKET AS					
	7	2G-8767	1	WASHER					
	8	128-8886	1	STRAP AS					
	9	8T-4182	1	BOLT (L=45mm)					
	10	6G-2256	1	CLAMP					
	11	7Y-8165	1	GROMMET					
	12	7X-2621	1	BOLT (L=12mm)					
	13	116-0118	2	CLIP					
	14	111-4836	3	CLIP					
	15	8T-4195	1	BOLT (L=30mm)					
	16	8T-4189	1	BOLT (L=20mm)					
	17	7K-1181	1	STRAP					
	18	6G-2263	1	SPACER					
	19	5P-4116	1	WASHER					
	20	186-4623	1	BRACKET					
Y	21	197-4328	1	HARNESS AS					
	22	111-4838	1	CLIP					
	23	111-4839	1	STRAP					
	24	4I-7889	1	SPACER					
	25	8T-5005	1	BOLT (L=70mm)					
	26	112-6646	1	LOCKNUT					
	27	8T-4224	1	WASHER					

Y-SEE SEPARATE ILLUSTRATION

H84466E 07

183-1013 BATTERY & WIRING GP (4/4)
 S/N BKH 00329-00341, BKT 00312-00324
 197-4328-Page137

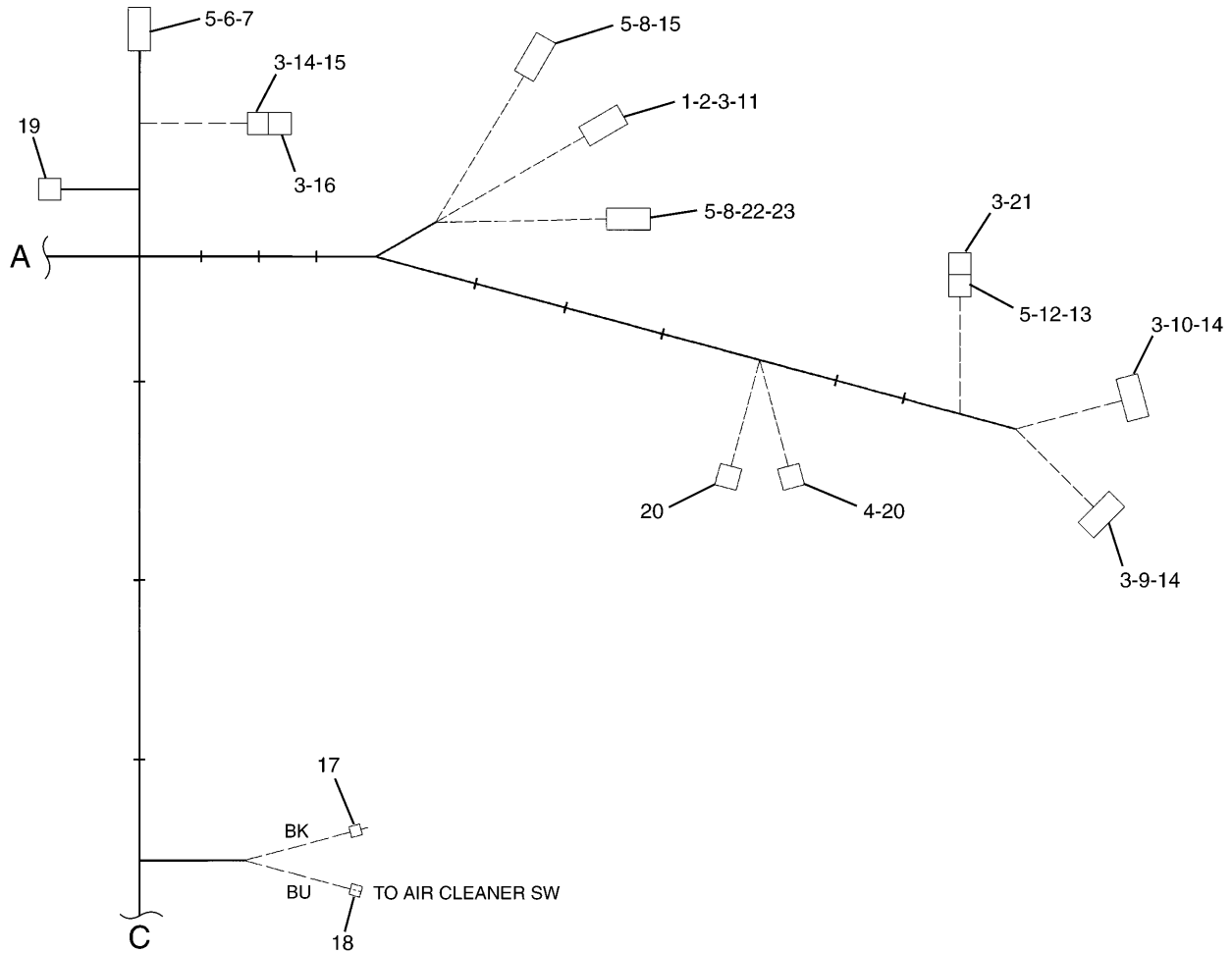
ELECTRICAL AND STARTING SYSTEM



H87110E 13

183-1013 BATTERY & WIRING GP (2/4)
 S/N BKH 00345-Up, BKT 00331-Up, BLA 00213-Up, BLX 00307-Up
 251-0259-Page136.07,204-1812-Page139.01,204-1816-Page140.01

ELECTRICAL AND STARTING SYSTEM




NOTE	No.	PART No.	QTY	PART NAME	NOTE	No.	PART No.	QTY	PART NAME
	1	9W-0852	8	PIN		18	7Y-3963	1	TERMINAL
	2	186-3735	3	PIN			7Y-3965	1	TUBE
	3	8T-8737	66	PLUG		19	7Y-3951	2	TERMINAL
	4	3S-2093	1	STRAP		20	9X-0196	2	TERMINAL AS
	5	186-3736	13	SOCKET		21	102-8805	1	RECEPTACLE KIT
	6	155-2270	1	PLUG KIT		22	155-2255	1	PLUG KIT
	7	155-2261	1	WEDGE		23	155-2258	1	WEDGE
	8	9W-0844	11	SOCKET					
	9	153-2620	1	PLUG AS					
		163-6759	1	SEAL					
	10	153-2630	1	PLUG AS					
		163-6759	1	SEAL					
	11	102-8801	1	RECEPTACLE KIT					
	12	155-2274	1	PLUG KIT					
	13	155-2263	1	WEDGE					
	14	126-1768	57	SOCKET					
	15	155-2271	2	PLUG KIT					
	16	102-8804	1	RECEPTACLE KIT					
	17	7Y-3962	1	TERMINAL					
		7Y-3964	1	TUBE					

H84247E 02

197-4303 HARNESS AS (2/3)
 S/N BKH 1-00328, BKT 1-00311, BLA 1-00212, BLX 1-00306
 Part of 183-1013-Page127

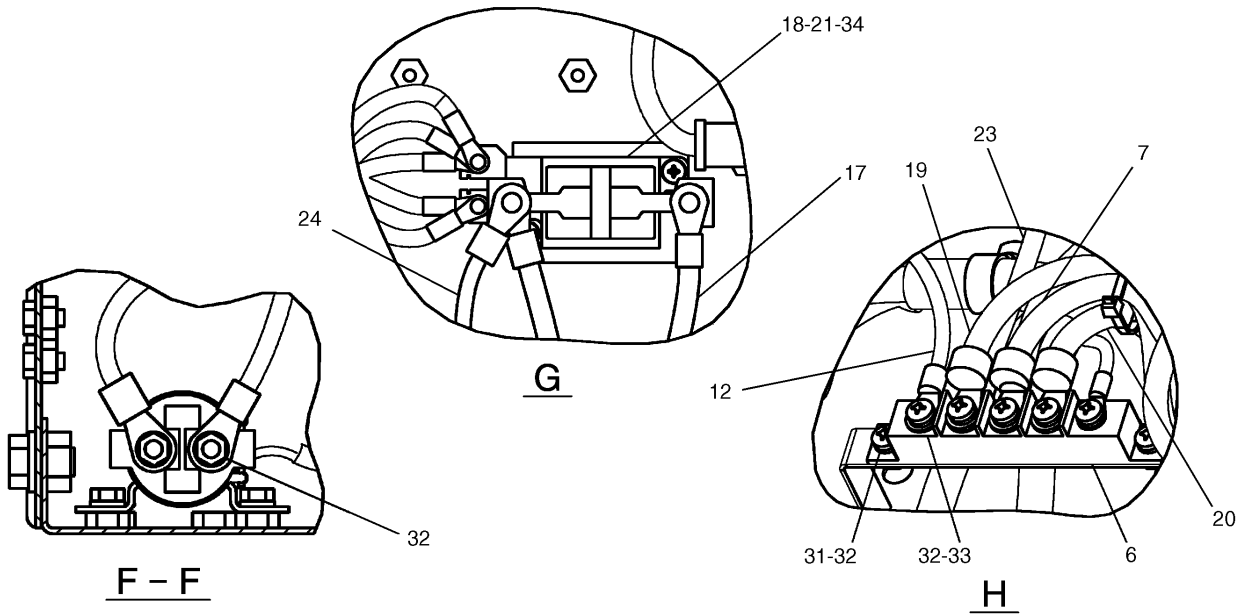
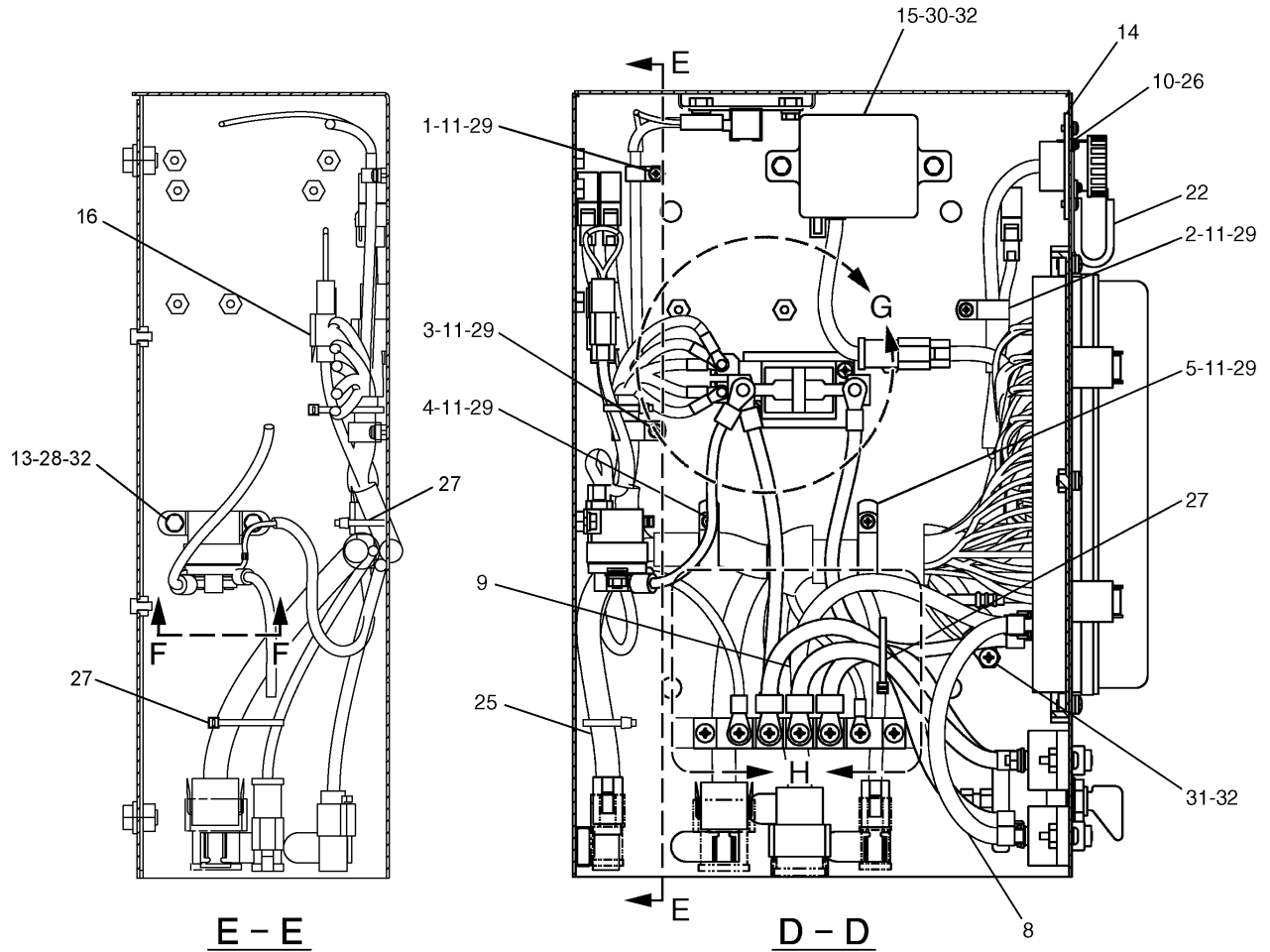
MEMORANDA

ELECTRICAL AND STARTING SYSTEM

	NOTE	No.	PART No.	QTY	PART NAME
		1	8N-1725	1	COVER
		2	3S-6049	1	TERMINAL AS
			1M-6119	1	BOLT
			1M-6120	1	NUT
		3	1S-7251	1	TERMINAL

204-1789 CABLE AS
 Part of 204-1701-Page133,183-1019-Page133.02
 An Attachment

ELECTRICAL AND STARTING SYSTEM



H91044E 03

231-1659 PANEL GP-CIRCUIT BREAKER (2/2)
 S/N BKH (T05.05)-Up, BKT (T05.05)-Up, BLA (T05.05)-Up, BLX (T05.05)-Up
 Part of 183-1013-Page131.18
 267-7589-Page151E,125-1302-Page154,163-6703-Page157

ELECTRICAL AND STARTING SYSTEM

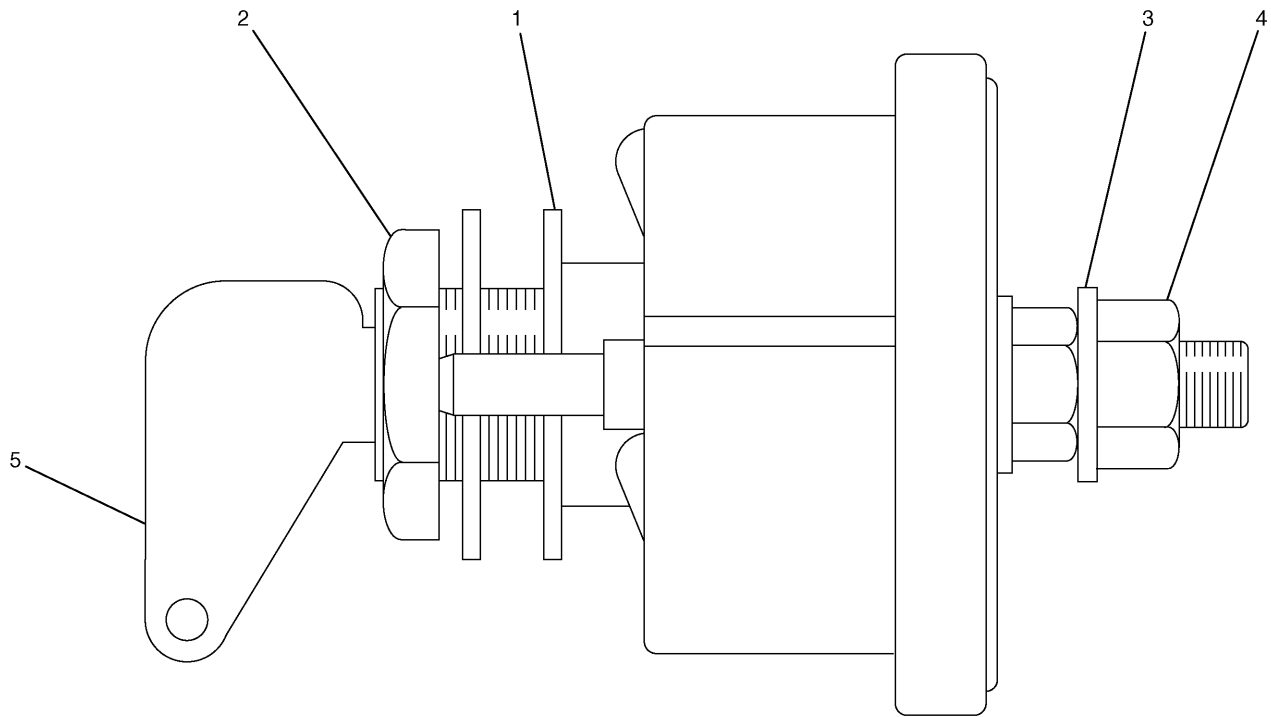
NOTE	No.	PART No.	QTY	PART NAME	NOTE	No.	PART No.	QTY	PART NAME
	1	3S-2093	17	STRAP					
	2	153-2602	2	CONNECTOR					
	3	153-2631	2	TERMINAL					
	4	2L-8065	5	TERMINAL					
	5	155-2270	2	PLUG KIT					
	6	155-2261	2	WEDGE					
	7	9W-0844	27	SOCKET					
	8	170-6891	11	TERMINAL					
	9	7Y-3963	1	TERMINAL					
		7Y-3965	1	TUBE					
	10	170-6890	6	TERMINAL					
	11	2L-8067	4	TERMINAL					
	12	155-2271	1	PLUG KIT					
	13	186-3736	8	SOCKET					
	14	126-1768	3	SOCKET					
	15	102-8801	1	RECEPTACLE KIT					
	16	9W-0852	8	PIN					
	17	186-3735	4	PIN					
	18	155-2255	2	PLUG KIT					
	19	155-2258	2	WEDGE					
	20	8T-8737	6	PLUG					
	21	155-2260	2	PLUG KIT					
	22	102-8803	2	RECEPTACLE KIT					
	23	121-1022	2	DIODE					
	24	7Y-3951	3	TERMINAL					
	25	7Y-3952	2	CONNECTOR					

H84727E 00

231-1677 HARNESS AS (1/2)

S/N BKH 00345-(T05.04), BKT 00331-(T05.04), BLA 00213-(T05.04), BLX 00307-(T05.04)
Part of 231-1659-Page147D

ELECTRICAL AND STARTING SYSTEM



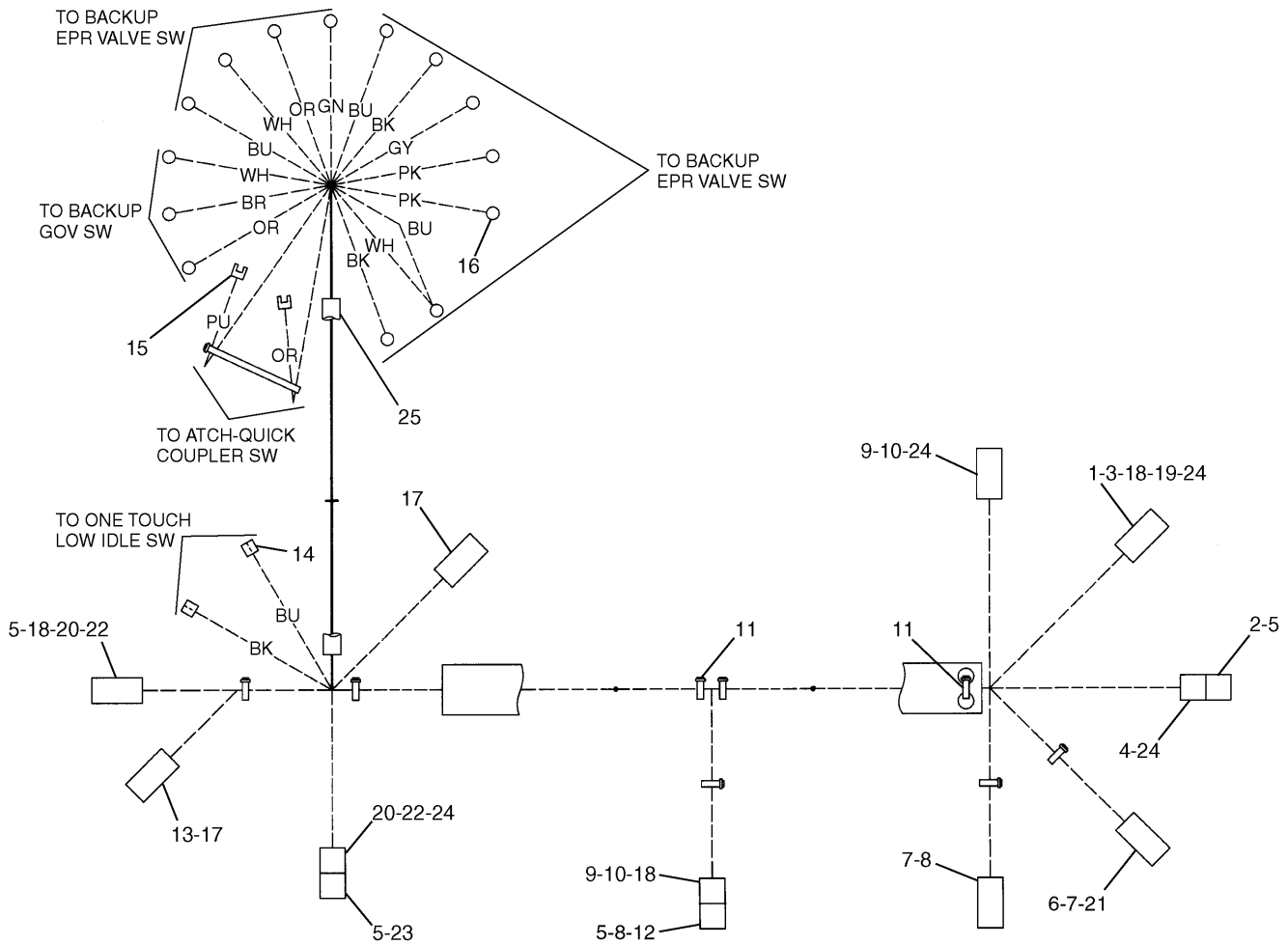
NOTE	No.	PART No.	QTY	PART NAME	NOTE	No.	PART No.	QTY	PART NAME
	1	2H-3922	2	LOCKWASHER					
	2	8H-5303	1	NUT					
	3	9F-5644	2	LOCKWASHER					
	4	6F-7045	2	NUT					
	5	8H-5306	1	KEY					

H67041E 13

7N-0718 SWITCH AS-DISCONNECT
Part of 204-1826-Page145,231-1659-Page147B

MEMORANDA

ELECTRICAL AND STARTING SYSTEM



NOTE	No.	PART No.	QTY	PART NAME	NOTE	No.	PART No.	QTY	PART NAME
	1	155-2255	1	PLUG KIT		20	155-2263	2	WEDGE
	2	102-8804	1	RECEPTACLE KIT		21	9W-0852	4	PIN
	3	155-2258	1	WEDGE		22	155-2274	2	PLUG KIT
	4	155-2271	1	PLUG KIT		23	102-8805	1	RECEPTACLE KIT
	5	8T-8737	13	PLUG		24	126-1768	22	SOCKET
	6	102-8801	1	RECEPTACLE KIT	E	25	8C-5064		CONDUIT...(18cm)
	7	186-3735	10	PIN					
	8	102-8802	2	RECEPTACLE KIT					
	9	155-2270	2	PLUG KIT					
	10	155-2261	2	WEDGE					
	11	3S-2093	9	STRAP					
	12	7K-1181	1	STRAP					
	13	7Y-3952	1	CONNECTOR					
	14	7Y-3963	2	TERMINAL					
		7Y-3965	2	TUBE					
	15	5P-2321	2	TERMINAL					
	16	2L-8074	14	TERMINAL					
	17	7Y-3951	6	TERMINAL					
	18	186-3736	8	SOCKET					
	19	9W-0844	1	SOCKET					

E-ORDER BY THE CENTIMETER

H84264E 04

186-4621 HARNESS AS-CONSOLE
Part of 186-4624-Page172

ELECTRICAL AND STARTING SYSTEM

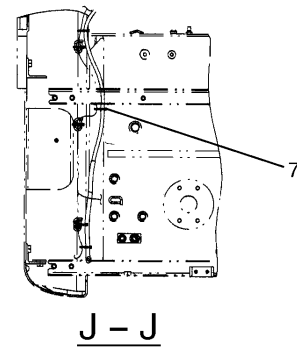
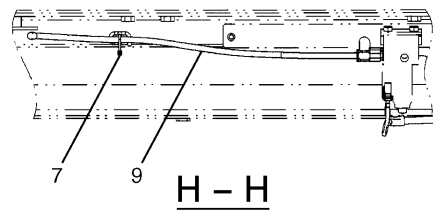
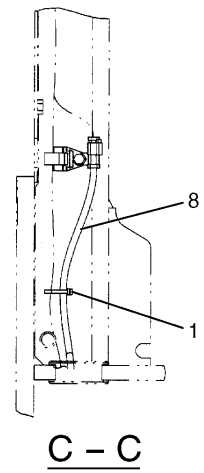
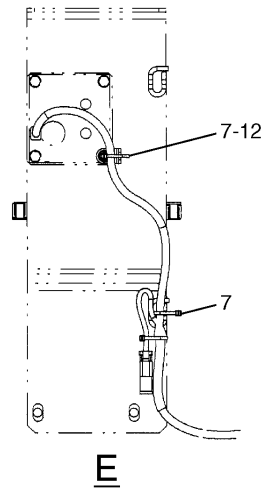
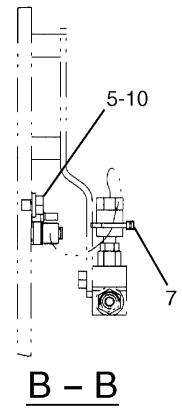
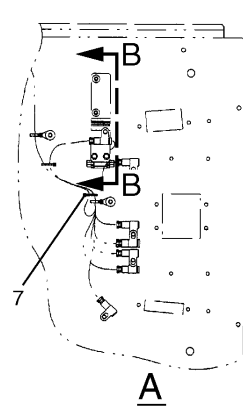
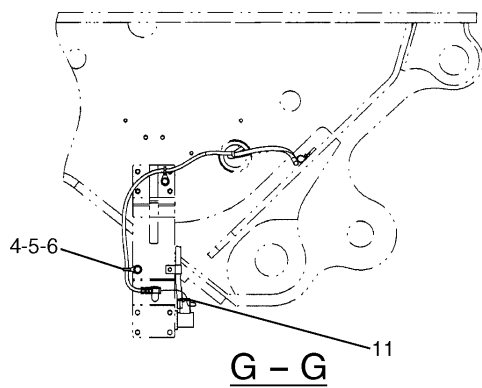
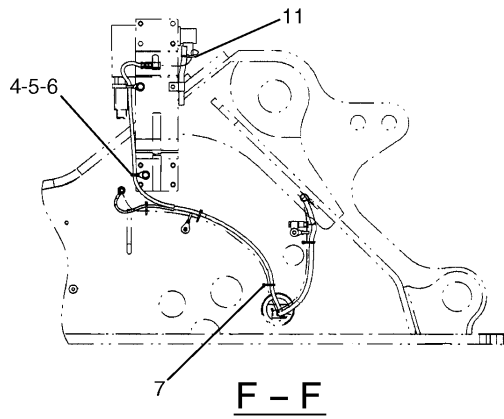
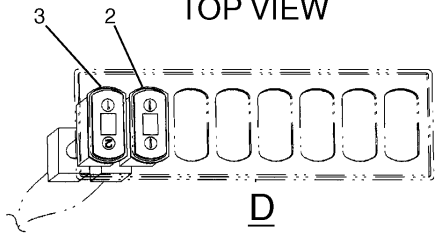
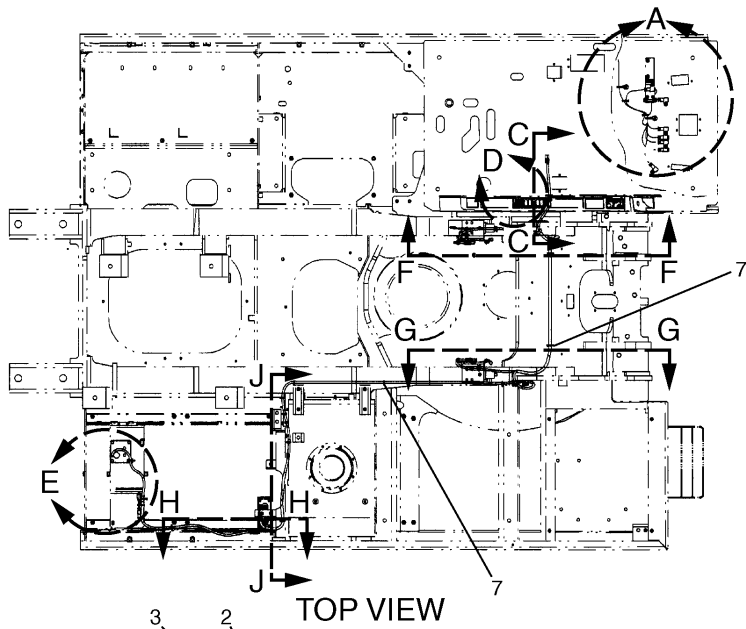
Consists of :

			Page
1	163-6788	HARNESS AS-WIRING.....	184
		-OR-	
1	163-6789	HARNESS AS-WIRING.....	186

H69869E 03

163-6787 HARNESS AS-WIRING
Part of 163-6623-Page181

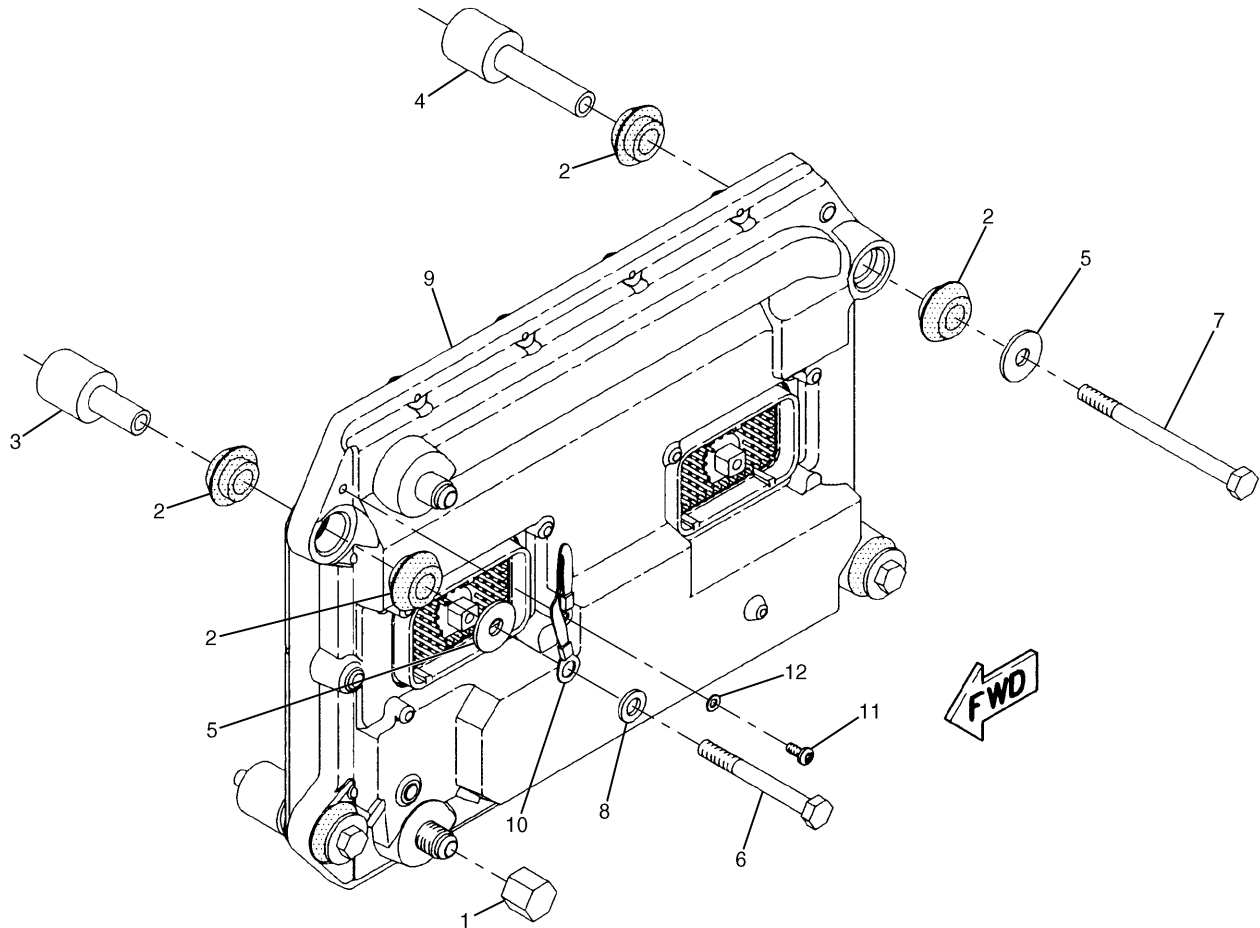
ELECTRICAL AND STARTING SYSTEM



H80708E 03

183-1016 WIRING GP
 Part of 179-5156-Page437,179-5159-Page438
 183-0998-Page196,186-4635-Page197
 An Attachment

ELECTRICAL AND STARTING SYSTEM

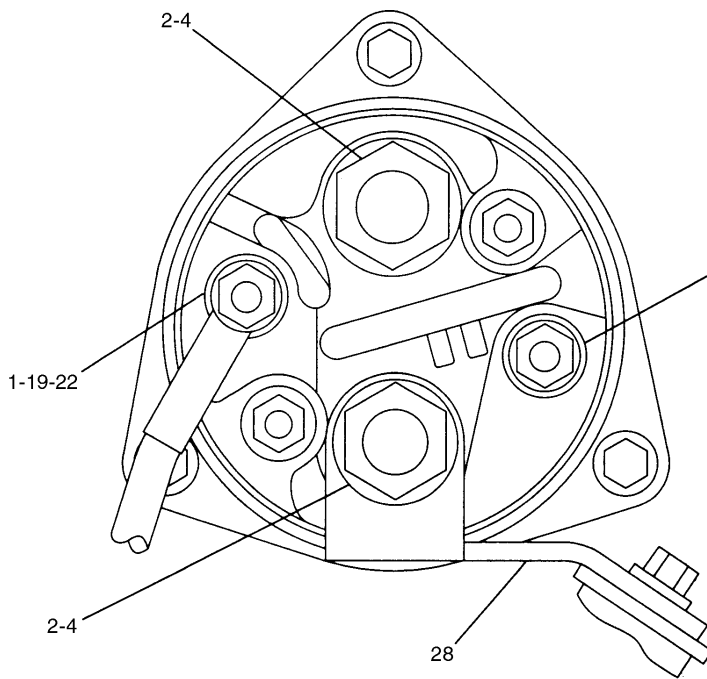
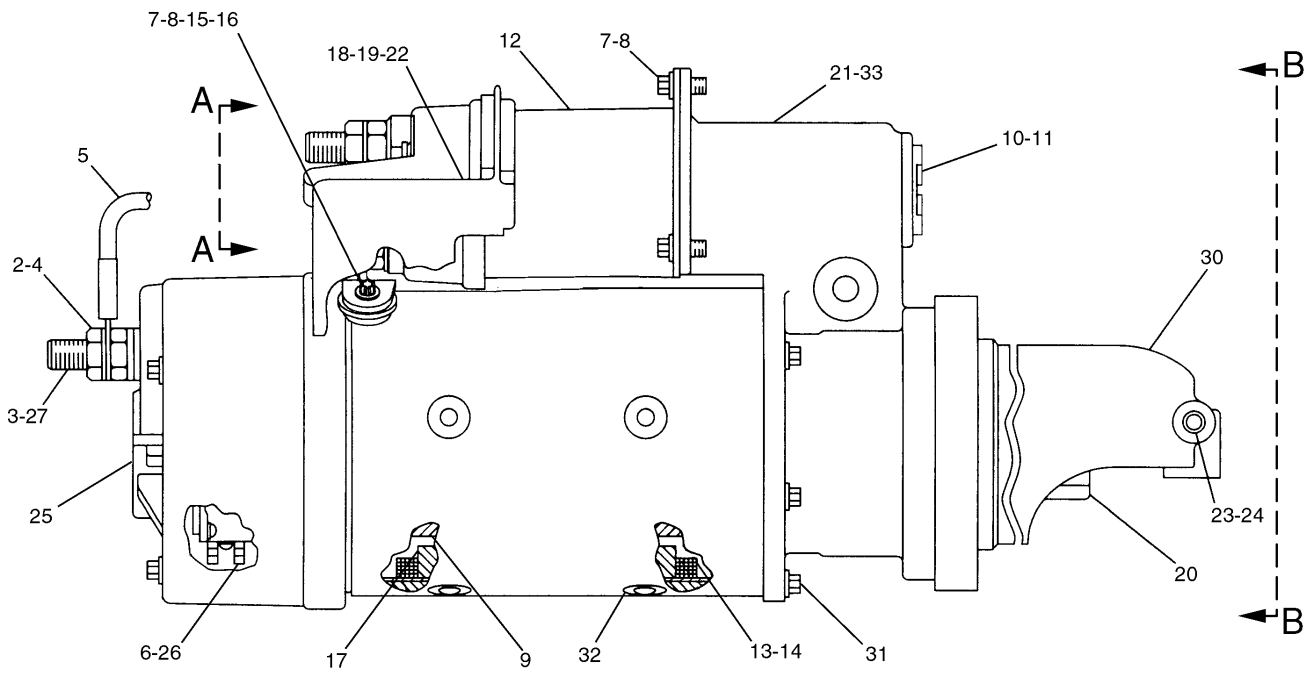


NOTE	No.	PART No.	QTY	PART NAME	NOTE	No.	PART No.	QTY	PART NAME
	1	8S-4950	1	CAP					
	2	8T-9655	8	MOUNT					
	3	101-3128	2	SPACER					
	4	169-3111	2	SPACER					
	5	9N-0869	4	WASHER					
	6	5P-8347	2	BOLT (L=70mm)					
	7	6V-5223	2	BOLT (L=100mm)					
	8	9M-1974	1	WASHER					
	9	179-9850	1	CONTROL GP					
	10	7X-6315	1	STRAP					
	11	184-2472	1	SCREW					
	12	134-4126	1	WASHER					

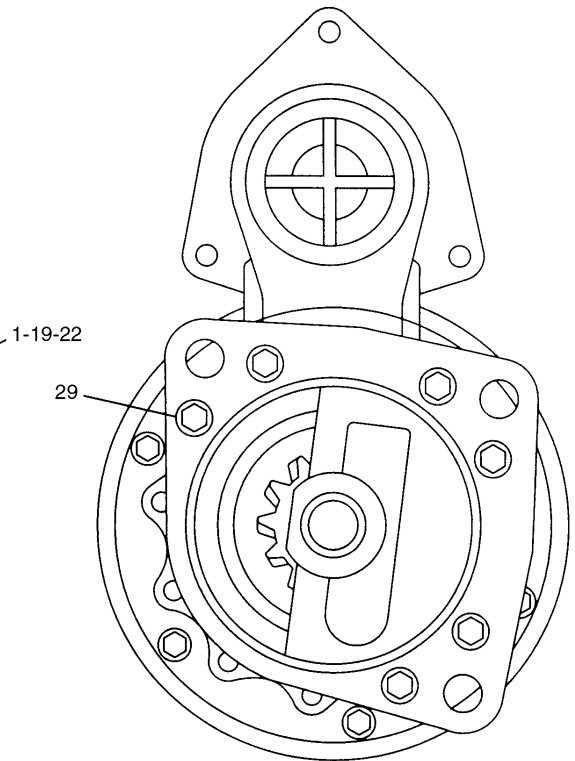
H74821E 00

183-1195 CONTROL & MTG GP-ELECTRONIC
Part of 159-3458-Page14,234-2918-Page15.03

ELECTRICAL AND STARTING SYSTEM



A - A

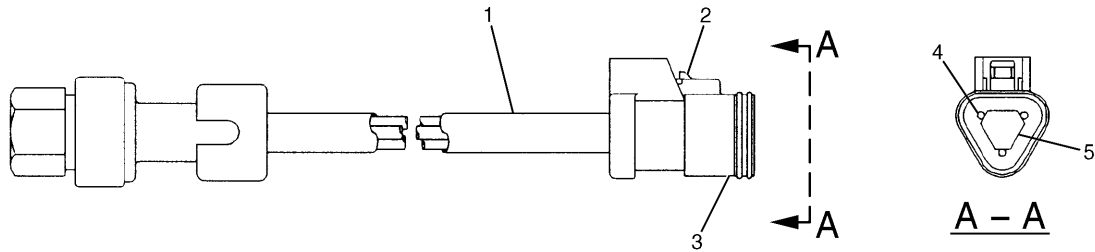


B - B

H77403E 00

207-1551 STARTING MOTOR GP-ELECTRIC
 Part of 128-5626-Page211
 An Attachment

ELECTRICAL AND STARTING SYSTEM



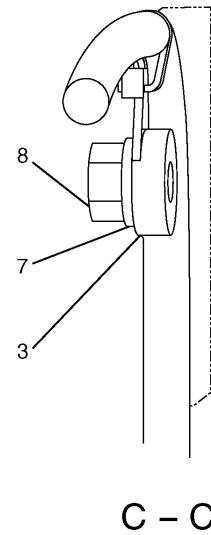
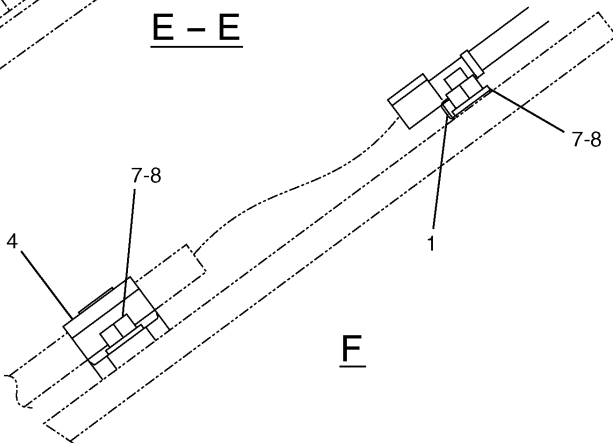
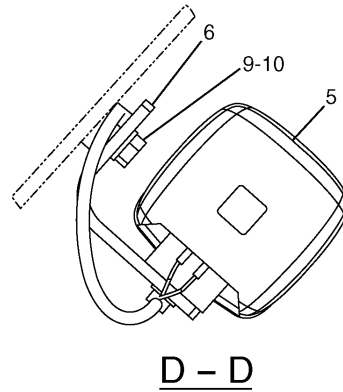
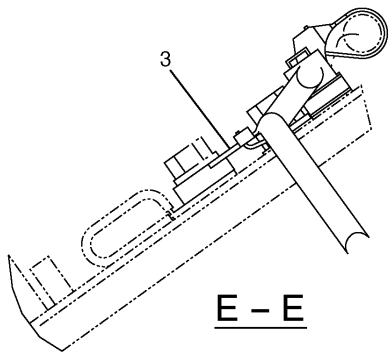
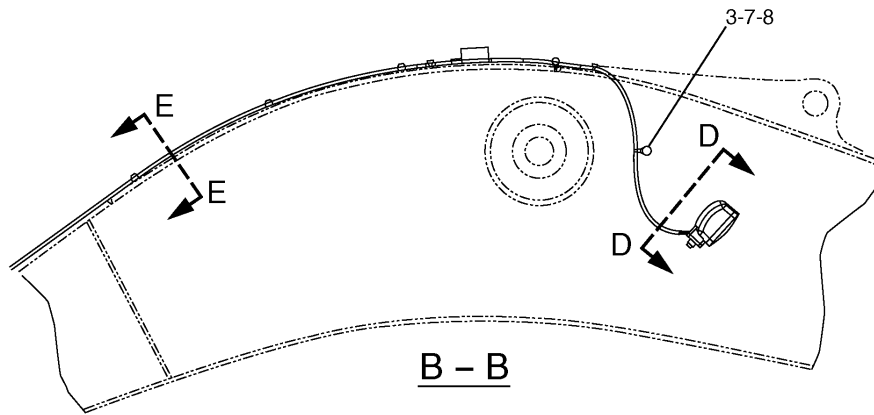
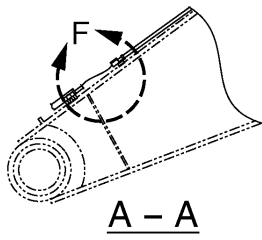
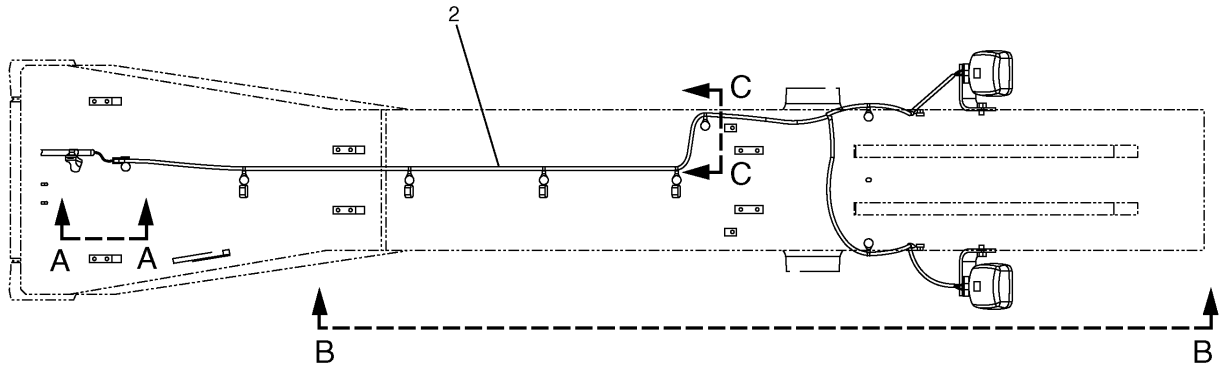
NOTE	No.	PART No.	QTY	PART NAME	NOTE	No.	PART No.	QTY	PART NAME
B	1	9X-1813		SLEEVE					
	2	155-2260	1	PLUG KIT (INCLUDES PLUG AS & WEDGE)					
	3	102-8813	1	SEAL					
	4	180-9340	3	SOCKET					
	5	3E-3368	1	WEDGE					

B-USE AS REQUIRED

H74830E 00

194-6725 SENSOR GP-PRESSURE
Part of 159-1822-Page220

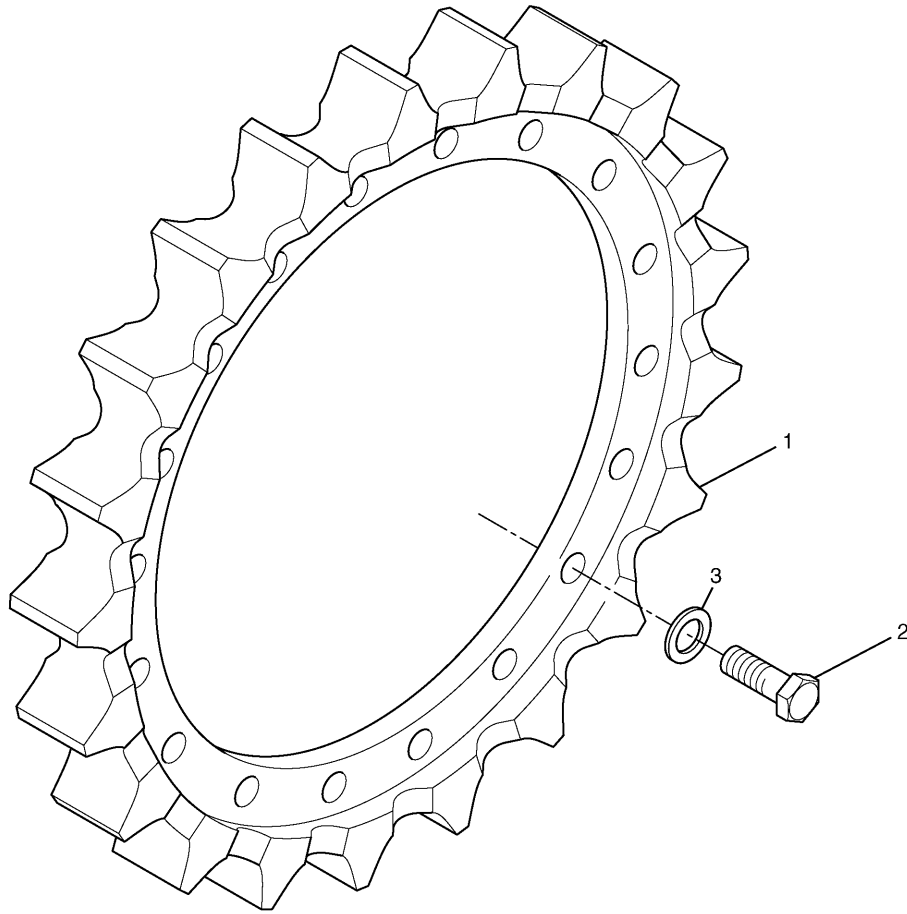
ELECTRICAL AND STARTING SYSTEM



H74304E 01

183-1021 LIGHTING GP-BOOM
 Part of 176-2774, 193-6823-Page702
 153-2521-Page237
 An Attachment

POWER TRAIN

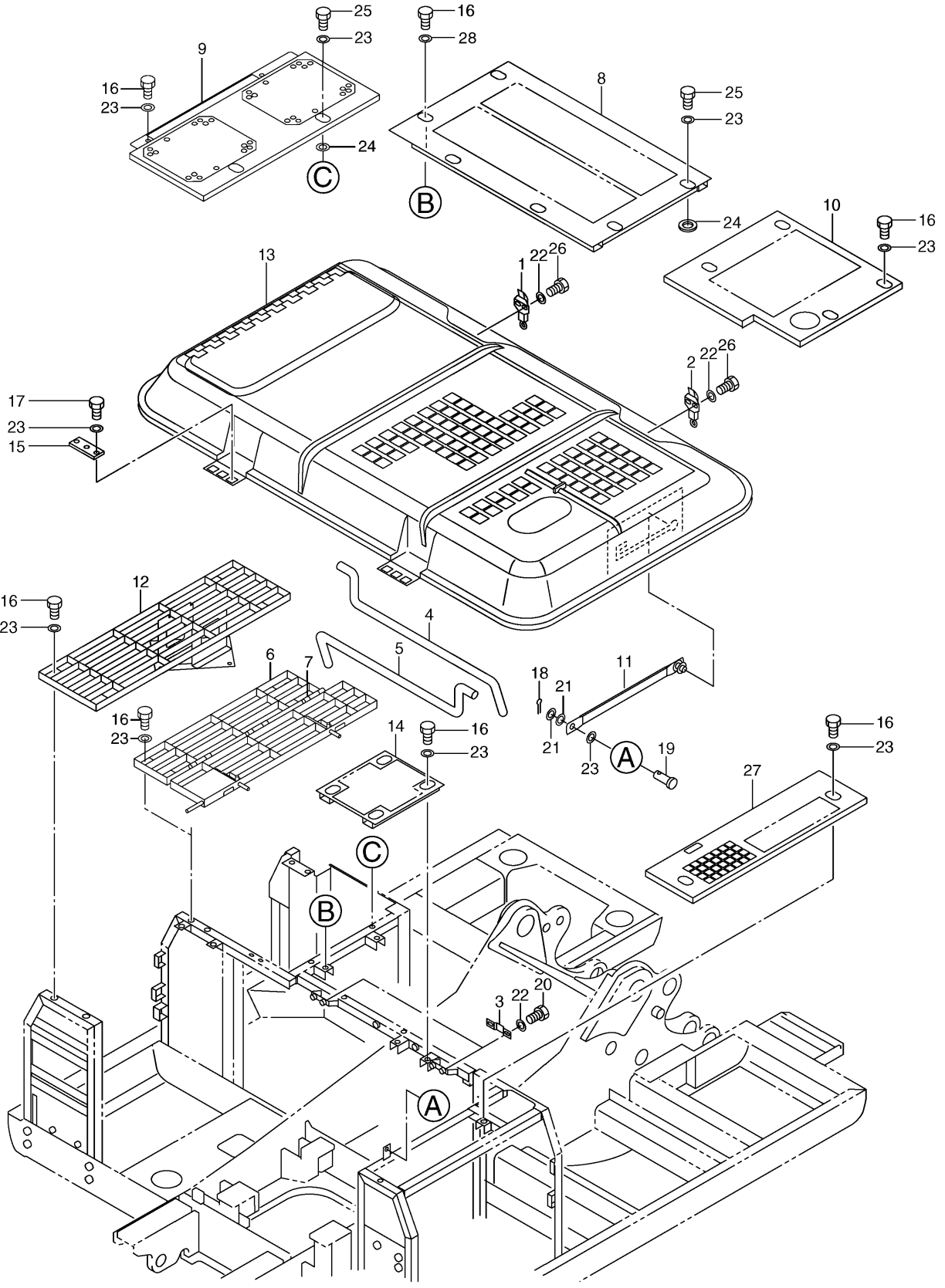


NOTE	No.	PART No.	QTY	PART NAME	NOTE	No.	PART No.	QTY	PART NAME
	1	6Y-4898	1	SPROCKET					
	2	8T-6430	18	BOLT (L=50mm)					
	3	8T-3282	18	WASHER					

H84114E 03

179-2994 SPROCKET GP-NONSEGMENTED
2 Required

FRAME AND BODY

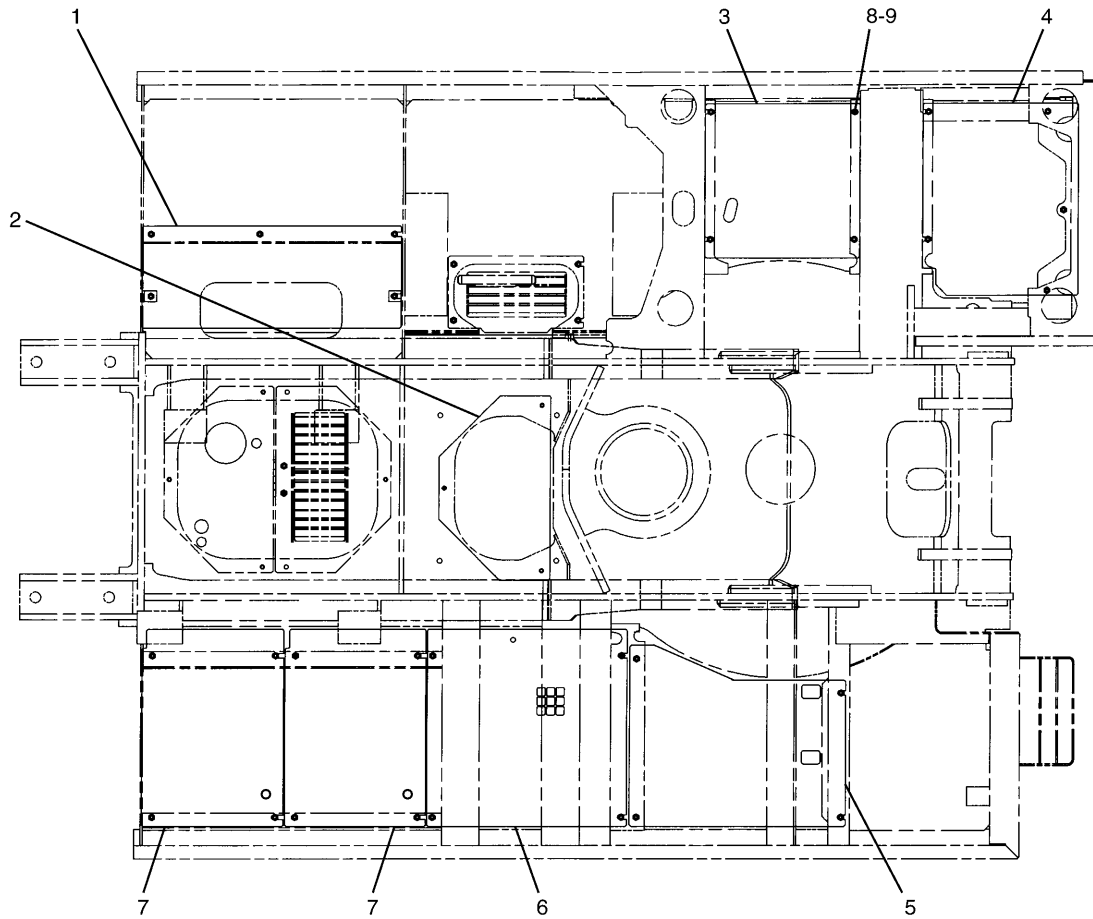


H97566E 17

177-6322 HOOD & GUARD GP (1/3)
 184-9035-Page254,203-5346-Page255

MEMORANDA

FRAME AND BODY



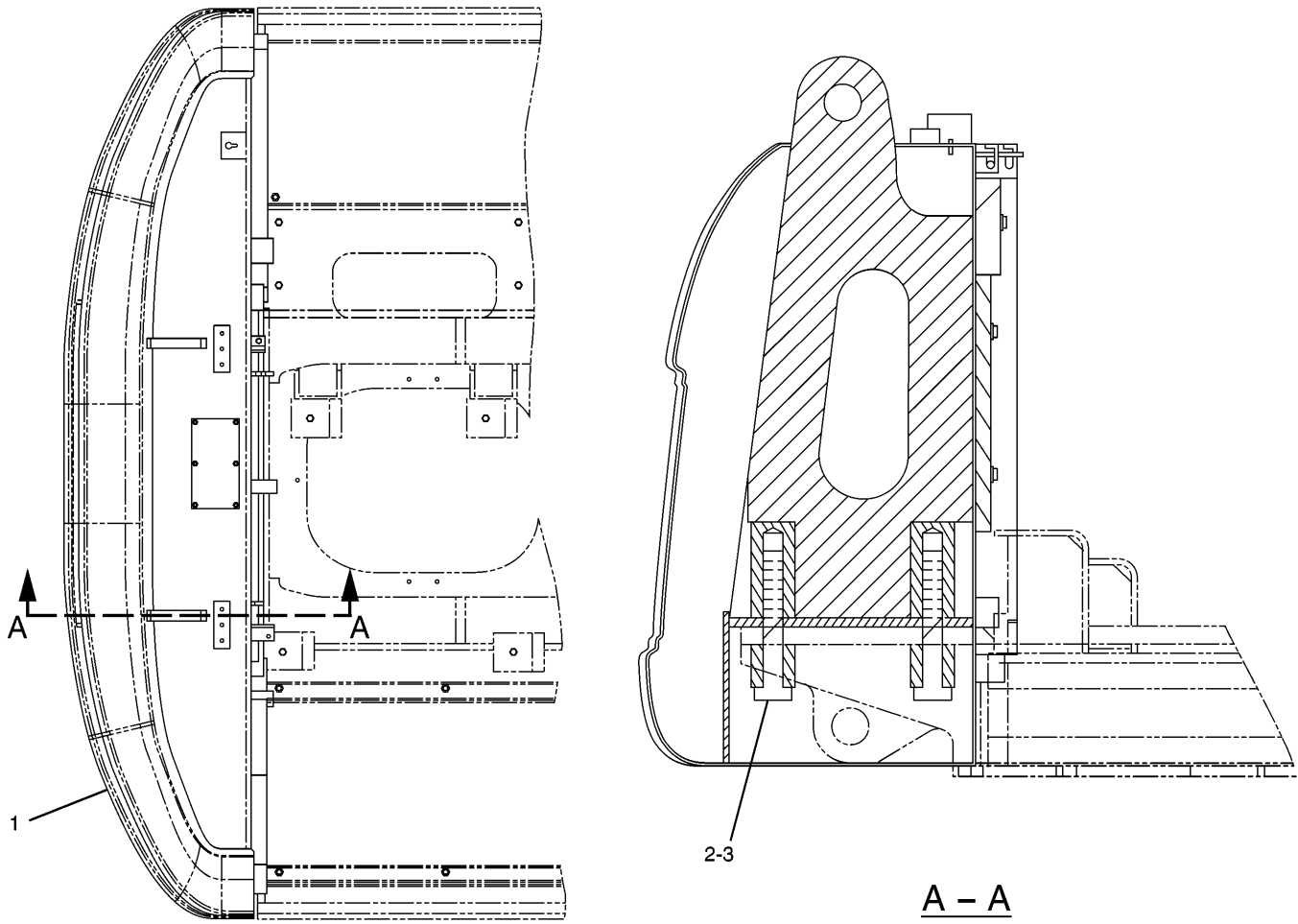
TOP VIEW

NOTE	No.	PART No.	QTY	PART NAME	NOTE	No.	PART No.	QTY	PART NAME
	1	184-8793	1	PLATE AS					
	2	184-8795	1	PLATE AS					
	3	184-8789	1	PLATE AS					
	4	177-6002	1	PLATE AS					
	5	240-2984	1	PLATE AS					
	6	184-8803	1	PLATE AS					
	7	240-2982	2	PLATE AS					
	8	8C-8992	33	BOLT (L=30mm)					
	9	5P-1076	33	WASHER					

H85738E 05

177-6326 GUARD GP-BOTTOM
 S/N BKH 00350-Up, BKT 00341-Up
 Part of 176-2796-Page263
 An Attachment

FRAME AND BODY



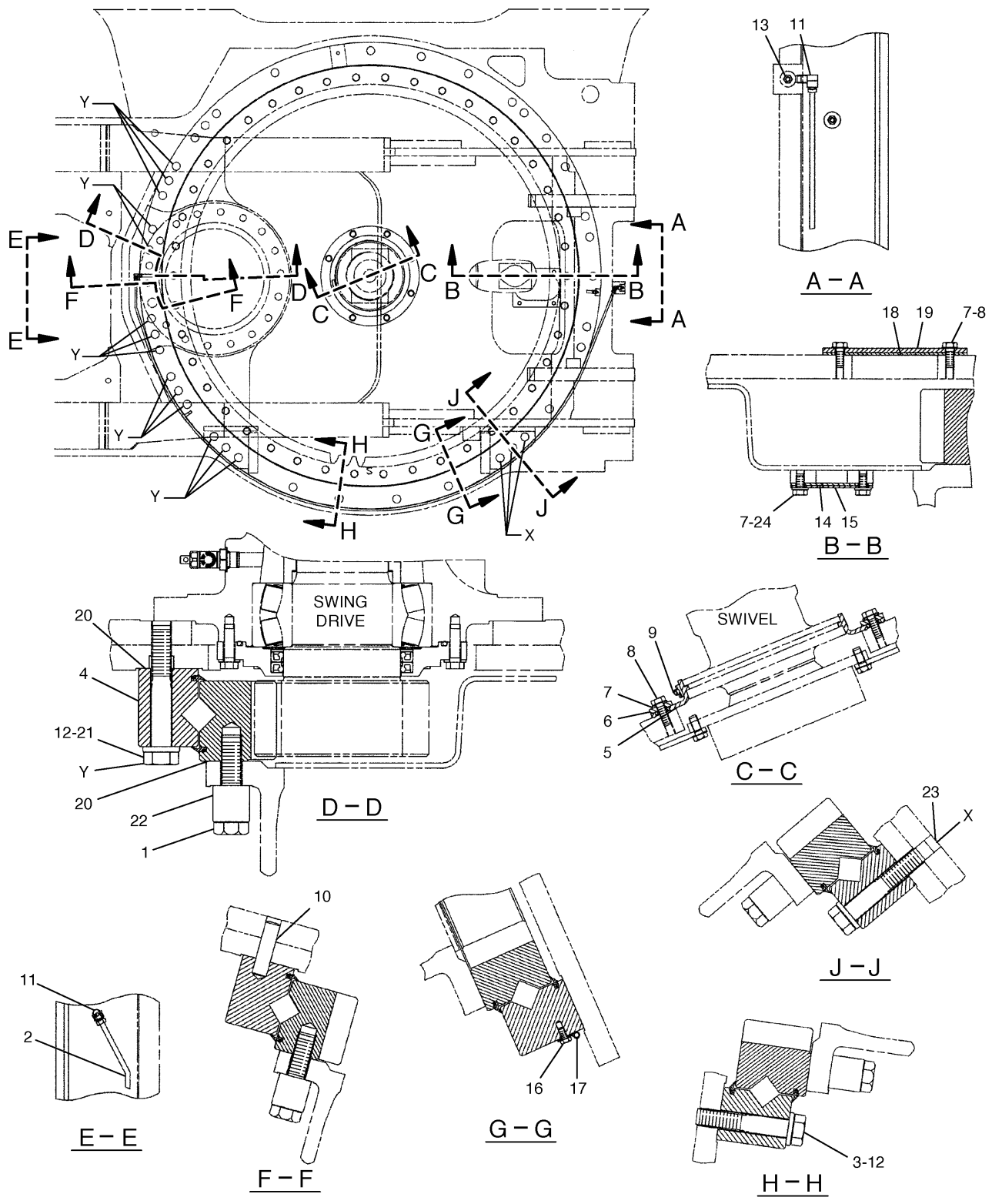
NOTE	No.	PART No.	QTY	PART NAME	NOTE	No.	PART No.	QTY	PART NAME
Y	1	193-9602	1	COUNTERWEIGHT GP					
	2	61-6645	4	SPACER					
	3	153-3976	4	BOLT (L=240mm)					

Y-SEE SEPARATE ILLUSTRATION

H82107E 02

193-9601 COUNTERWEIGHT GP
193-9602-Page278

FRAME AND BODY



H84775E 03

171-9402 GEAR & BEARING GP-SWING
 S/N BLA 00213-Up, BLX 00307-Up
 227-6087-Page285

FRAME AND BODY

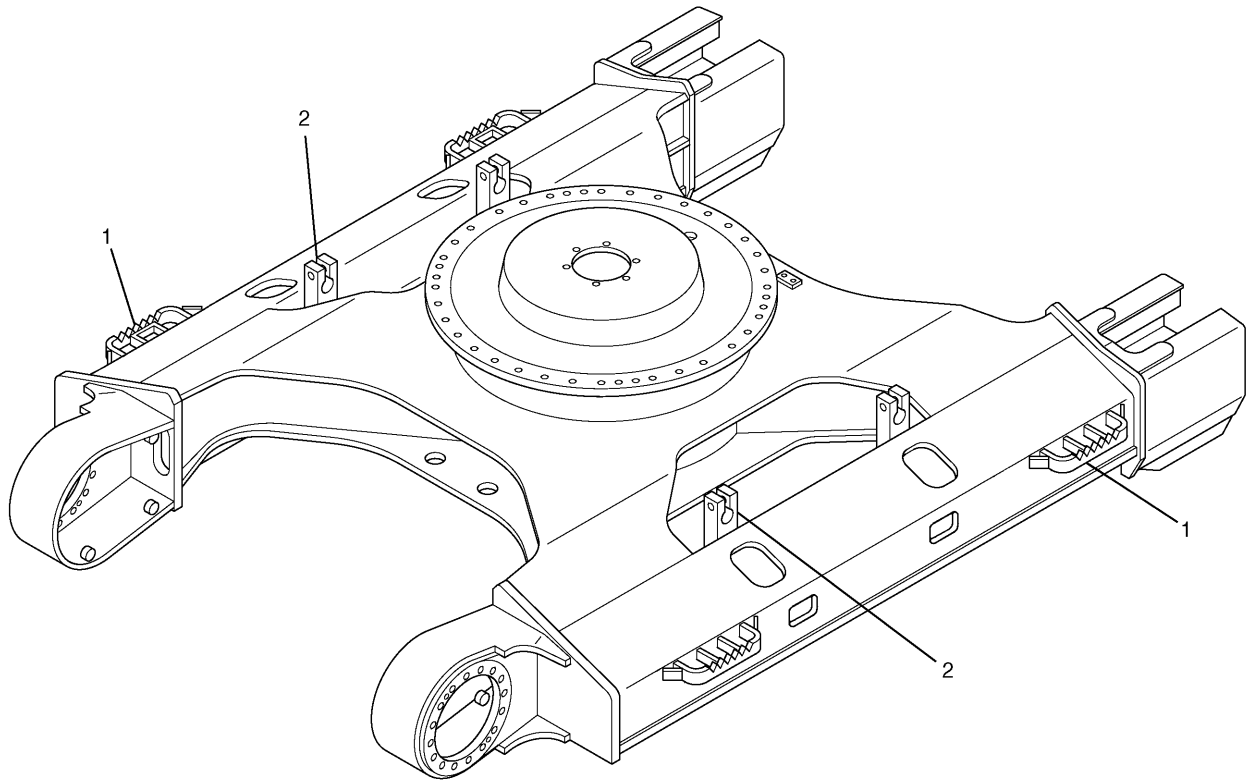
NOTE	No.	PART No.	QTY	PART NAME	NOTE	No.	PART No.	QTY	PART NAME
	1	231-6972	1	FRAME AS					
	2	7Y-0633	1	BOSS					
	3	163-3729	1	PLATE AS					
	4	166-1488	4	SHIM (T=2.00mm)					
	5	212-2840	2	SHIM (T=2.00mm)					
B	6	133-2428	1	SHIM (T=0.50mm)					
B		41-0575	2	SHIM (T=1.00mm)					
B		41-0577	1	SHIM (T=2.00mm)					
	7	250-2404	1	PIN AS					
	8	186-5663	2	PIN AS					
	9	201-2771	1	WASHER (OD=90.00mm)					
	10	093-0364	2	SPACER					
	11	096-6467	2	WASHER					
	12	164-0586	1	BUMPER AS					
	13	7X-2572	1	BOLT (L=35mm)					
	14	8T-4121	4	WASHER					
	15	8T-4123	2	WASHER					
	16	8T-4136	4	BOLT (L=25mm)					
	17	8T-4167	1	WASHER					
	18	8T-4780	2	BOLT (L=30mm)					
				THE FOLLOWING SERVICE REPAIR ARE AVAILABLE:					
		178-0852	1	PLATE (L=1100mm)					
		184-5724	1	PLATE (L=2000mm)					

B-USE AS REQUIRED

H86983E 02

231-6971 FRAME GP-UPPER
S/N BKH 00345-Up, BKT 00331-Up

FRAME AND BODY



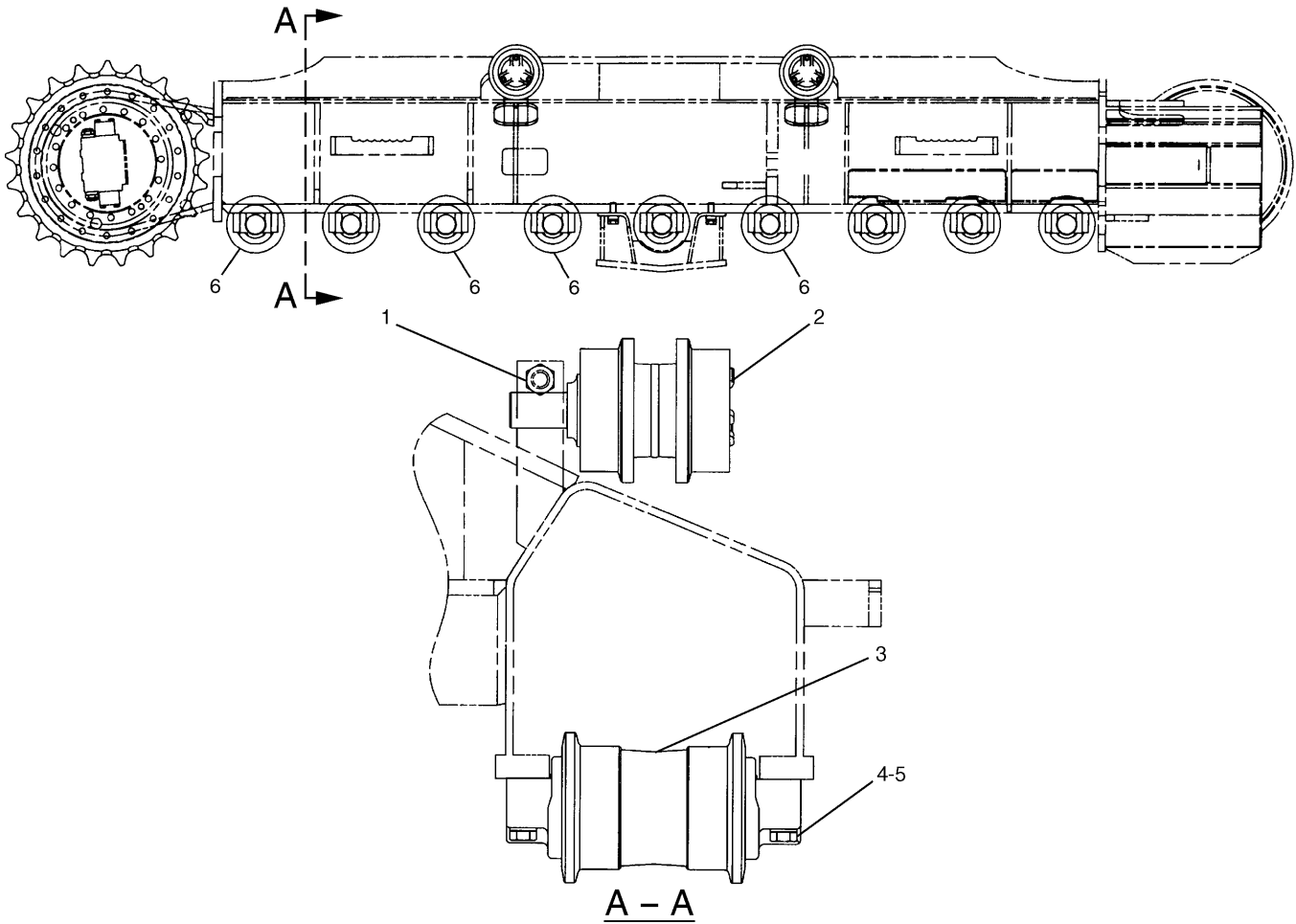
NOTE	No.	PART No.	QTY	PART NAME	NOTE	No.	PART No.	QTY	PART NAME
	1	120-7215	4	STEP					
	2	113-2317	4	BRACKET					

H84122E 01

195-5359 FRAME AS-UNDERCARRIAGE
S/N BLA 1-Up

MEMORANDA

FRAME AND BODY



NOTE	No.	PART No.	QTY	PART NAME	NOTE	No.	PART No.	QTY	PART NAME
	1	8 T-5878	4	BOLT (L=80mm)					
Y	2	6 Y-5323	4	ROLLER GP					
Y	3	163-4147	10	ROLLER GP					
	4	7 X-2565	72	BOLT (L=100mm)					
	5	8 T-4123	72	WASHER					
Y	6	163-4148	8	ROLLER GP					

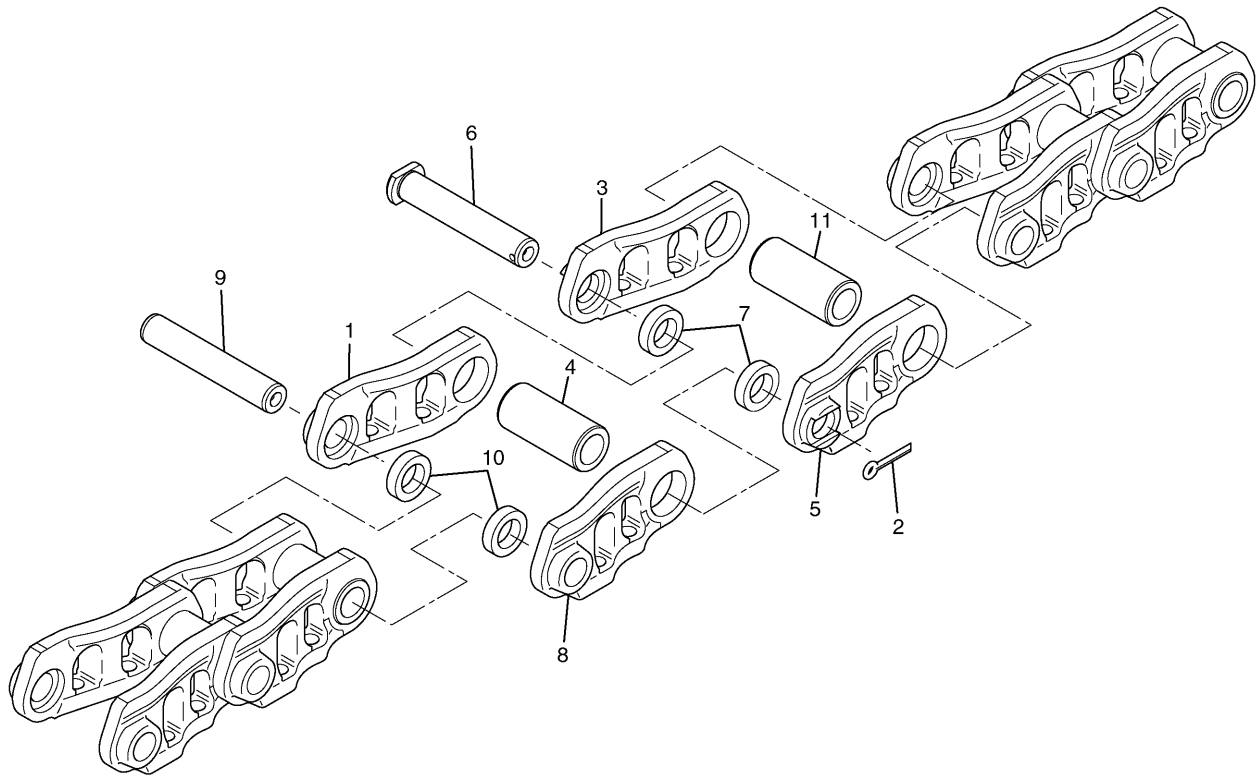
Y-SEE SEPARATE ILLUSTRATION

H80208E 00

194-1185 ROLLER AR-TRACK & CARRIER

S/N BLX 1-Up
6Y-5323-Page310,163-4147-Page311,163-4148-Page311.01

FRAME AND BODY



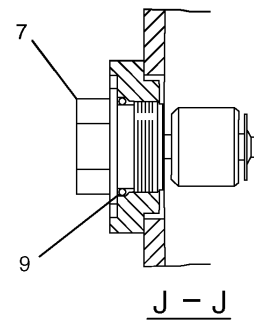
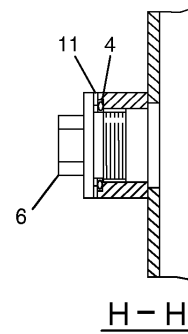
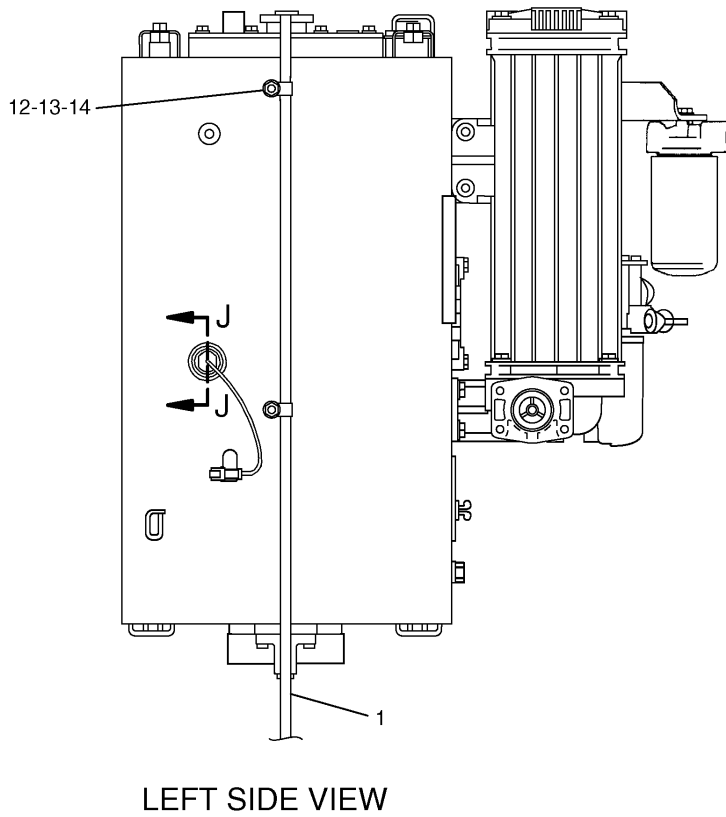
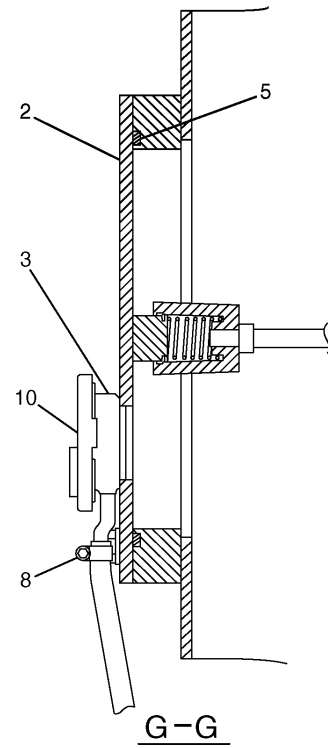
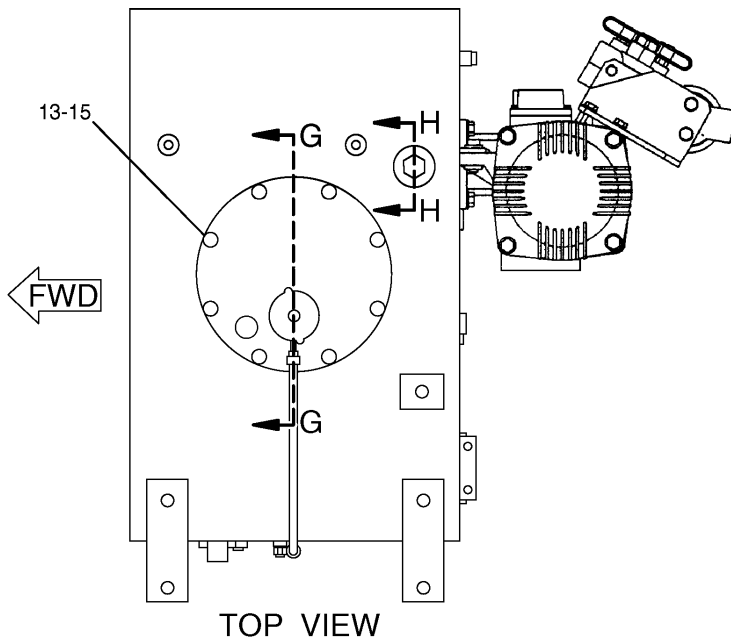
NOTE	No.	PART No.	QTY	PART NAME	NOTE	No.	PART No.	QTY	PART NAME
	1	6Y-1608	44	LINK					
	2	095-7944	1	COTTER					
	3	115-1854	1	LINK					
	4	201-0826	1	BUSHING					
	5	115-1853	1	LINK					
	6	188-3065	1	PIN					
	7	179-3427	2	SEAL					
	8	6Y-1607	44	LINK					
	9	6Y-0851	44	PIN					
	10	179-3425	88	SEAL					
	11	201-0825	44	BUSHING					

H74394E 00

201-9116 LINK AS-TRACK

S/N BKH 1-Up, BLA 1-Up
Part of 188-3239-Page314,199-3226-Page315,199-2783-Page316

HYDRAULIC SYSTEM



H84125E 08

176-4617 TANK & FILTER GP-HYDRAULIC (2/2)
 Capacity 260 Liters
 S/N BKH 00319-00345, BKT 00300-00333, BLA 1-00213, BLX 1-00307
 Part of 176-4616-Page320

HYDRAULIC SYSTEM

NOTE	No.	PART No.	QTY	PART NAME	NOTE	No.	PART No.	QTY	PART NAME
Y	1	158-8988	1	SCREEN GP					
	2	204-8525	1	PIPE AS					
	3	8T-4956	4	BOLT (L=35mm)					
	4	199-1963	1	SUPPORT					
	5	094-3245	1	GAUGE AS					
	6	095-1514	4	SEAL-O-RING (ID=9.80mm)					
	7	095-1517	4	SEAL-O-RING (ID=13.80mm)					
	8	096-4754	1	PIPE					
	9	7Y-4754	2	BLOCK					
	10	094-3247	2	BOLT (L=36mm)					
	11	112-0065	1	BRACKET					
Y	12	126-2075	1	FILTER GP					
Y	13	158-8987	1	FILTER GP					
Y	14	188-4140	1	FILTER GP					
	15	2B-0858	1	PLUG					
	16	2M-0849	2	WASHER					
	17	3J-1907	1	SEAL-O-RING (ID=11.89mm)					
	18	3J-7354	1	SEAL-O-RING (ID=8.92mm)					
	19	3K-0360	2	SEAL-O-RING (ID=16.36mm)					
	20	4B-7739	1	PLUG					
	21	4I-5394	1	SENDER					
		4I-5490	2	SCREW					
		095-0826	2	LOCKWASHER					
	22	4J-5267	1	SEAL-O-RING (ID=24.99mm)					
	23	6D-9157	1	SEAL-O-RING (ID=142.24mm)					
	24	6J-2680	1	SEAL-O-RING (ID=69.44mm)					
	25	6V-0852	1	CAP					
	26	6V-3965	1	NIPPLE AS					
	27	8C-3446	1	VALVE					
	28	8C-3451	1	CAP					
	29	8H-9819	1	ADAPTER					
	30	6V-8653	2	BOLT (L=40mm)					
	31	8T-4121	8	WASHER					
	32	8T-4136	4	BOLT (L=25mm)					
	33	8T-4183	2	BOLT (L=40mm)					
	34	8T-4195	4	BOLT (L=30mm)					
	35	8T-4223	4	WASHER					
	36	8T-4224	4	WASHER					
	37	8T-4908	4	BOLT (L=25mm)					
	38	9S-4185	1	PLUG					
	39	115-8647	1	GUARD					

Y-SEE SEPARATE ILLUSTRATION

H85774E 07

187-6778 TANK & FILTER GP-HYDRAULIC (1/2)

Capacity 260 Liters

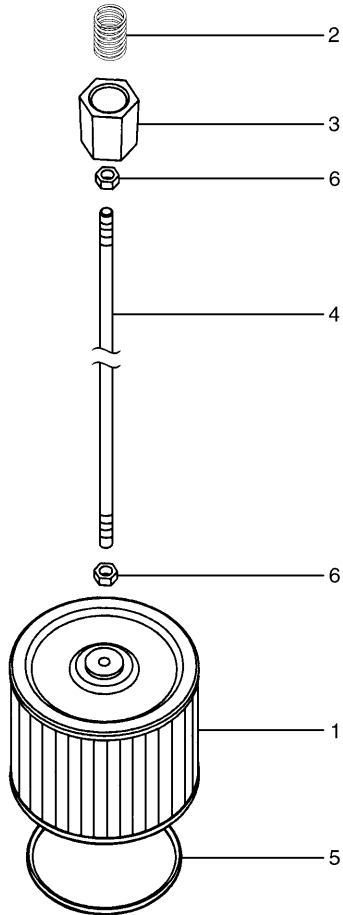
S/N BKH 00319-00345, BKT 00300-00333, BLA 1-00213, BLX 1-00307

Part of 187-6777-Page321

158-8988-Page330,126-2075-Page346,158-8987-Page347,188-4140-Page349

An Attachment

HYDRAULIC SYSTEM



NOTE	No.	PART No.	QTY	PART NAME	NOTE	No.	PART No.	QTY	PART NAME
	1	209-6000	1	SCREEN AS					
	2	095-6639	1	SPRING					
	3	095-6641	1	GUIDE					
	4	129-7784	1	ROD					
	5	5H-5672	1	SEAL-O-RING (ID=113.67mm)					
	6	8T-4133	2	NUT					

H89668E 04

158-8988 SCREEN GP
 S/N BKH 1-(T06.10), BKT 1-(T06.10), BLA 1-(T06.10), BLX 1-(T06.10)
 Part of 176-4617-Page323,187-6778-Page327

HYDRAULIC SYSTEM

NOTE	No.	PART No.	QTY	PART NAME	NOTE	No.	PART No.	QTY	PART NAME
Y	1	209-5889	1	HEAD GP					
	2	177-2470	1	COVER					
	3	7X-2557	1	BOLT (L=140mm)					
	4	177-2471	1	COVER					
Y	5	209-5890	1	HEAD GP					
	6	8T-4176	2	BOLT (L=90mm)					
	7	8T-4140	4	BOLT (L=60mm)					
	8	094-1882	11	PLUG					
	9	200-3333	1	BLOCK					
	10	129-7979	4	DOWEL					
	11	9S-4185	2	PLUG					
	12	3K-0360	2	SEAL-O-RING (ID=16.36mm)					
	13	8T-4136	8	BOLT (L=25mm)					
	14	247-8782	1	BODY					
	15	150-5782	2	COVER					
	16	8T-4139	10	BOLT (L=30mm)					
	17	129-7863	1	COVER					
	18	129-7857	1	GASKET					
	19	179-9763	1	FLANGE					
	20	189-9763	6	SEAL-O-RING (ID=9.80mm)					
	21	095-7419	4	SCREW					
	22	8T-4175	2	BOLT (L=90mm)					

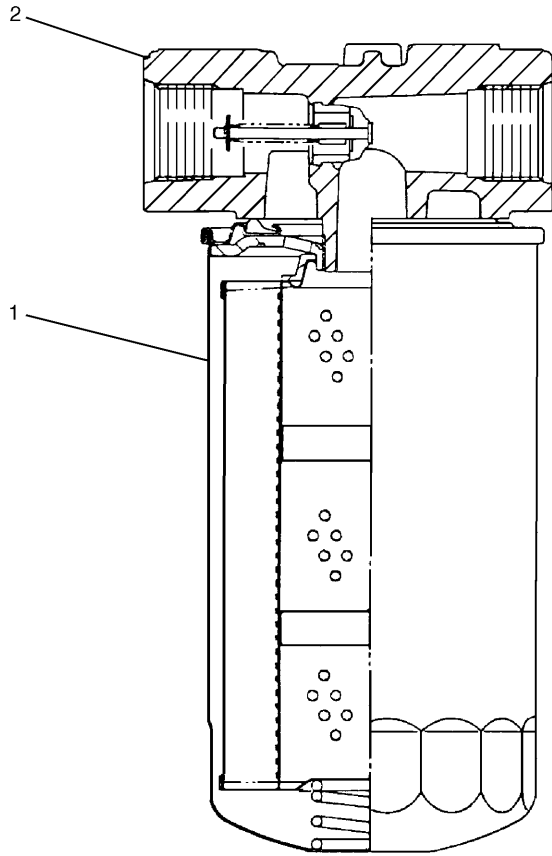
Y-SEE SEPARATE ILLUSTRATION

H87754E 01

244-8477 PUMP GP-MAIN HYDRAULIC (1/2)

Part of 178-6641-Page331
209-5889-Page338,209-5890-Page340

HYDRAULIC SYSTEM



NOTE	No.	PART No.	QTY	PART NAME	NOTE	No.	PART No.	QTY	PART NAME
	1	093-7521	1	FILTER					
	2	126-2076	1	HEAD AS					

H84895E 01

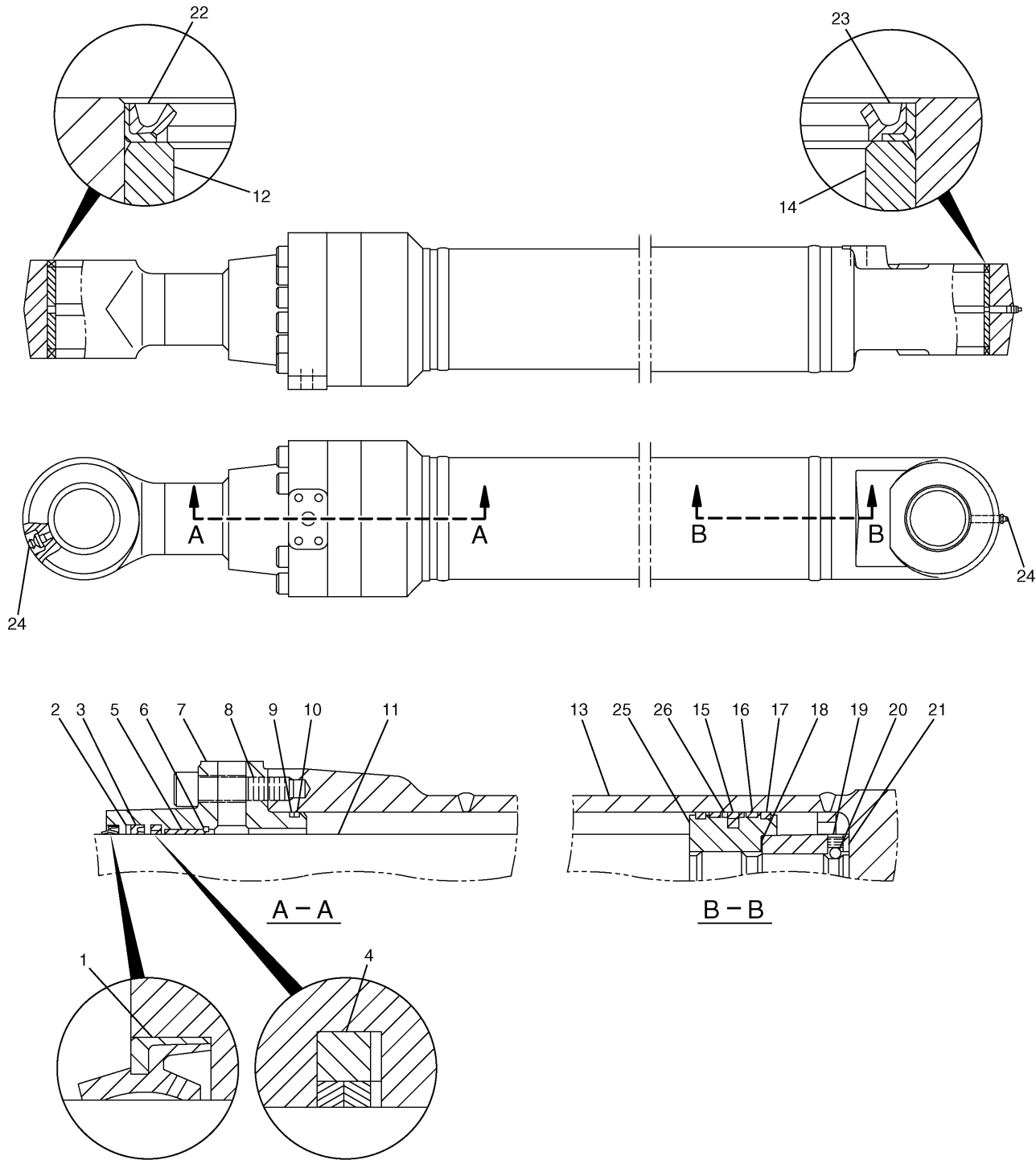
126-2075 FILTER GP-HYDRAULIC

Basic

S/N BKH 1-(T06.10), BKT 1-(T06.10), BLA 1-(T06.10), BLX 1-(T06.10)
Part of 176-4617-Page323,187-6778-Page327

MEMORANDA

HYDRAULIC SYSTEM



H73521E 01

158-8999 CYLINDER & SEAL GP-BUCKET
 Part of 158-8998-Page356
 An Attachment

CLICK HERE TO **DOWNLOAD** THE COMPLETE MANUAL

- Thank you very much for reading the preview of the manual.
- You can download the complete manual from: www.heydownloads.com by clicking the link below

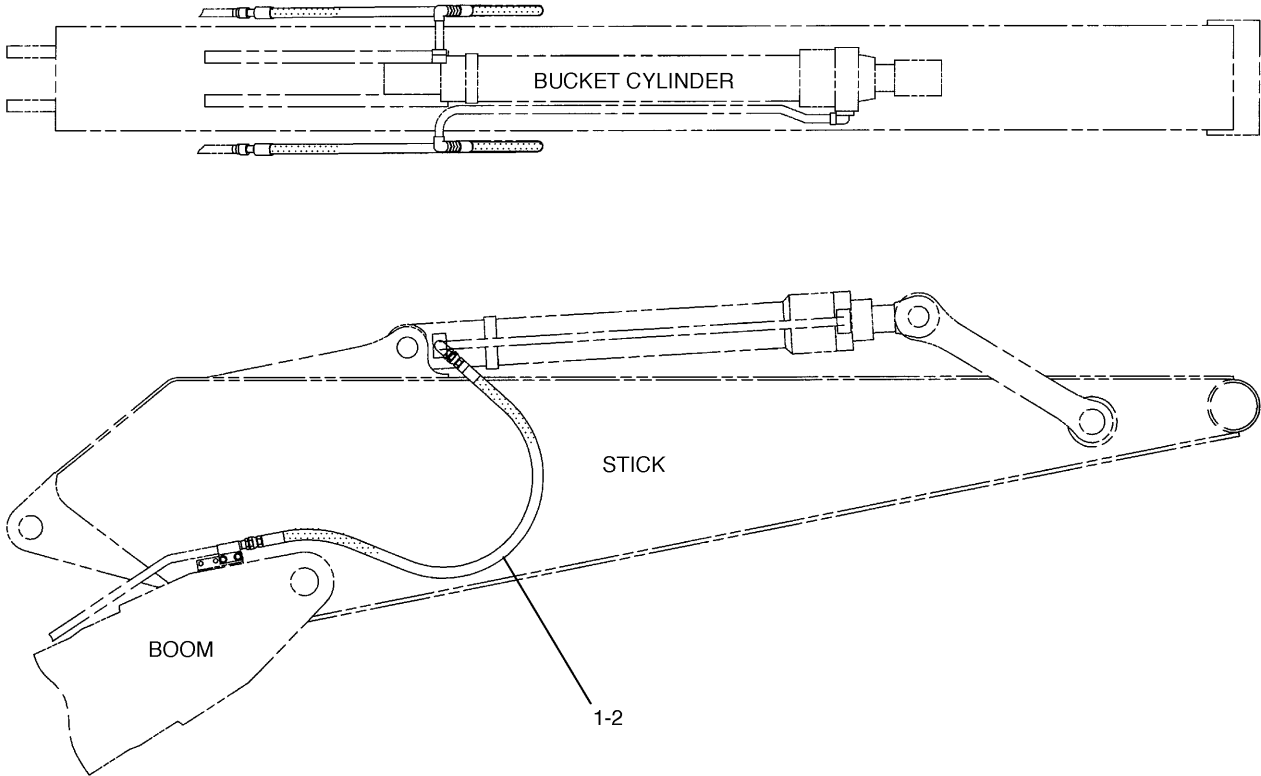


- Please note: If there is no response to CLICKING the link, please download this PDF first and then click on it.

CLICK HERE TO **DOWNLOAD** THE COMPLETE MANUAL

MEMORANDA

HYDRAULIC SYSTEM



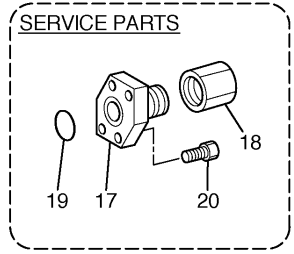
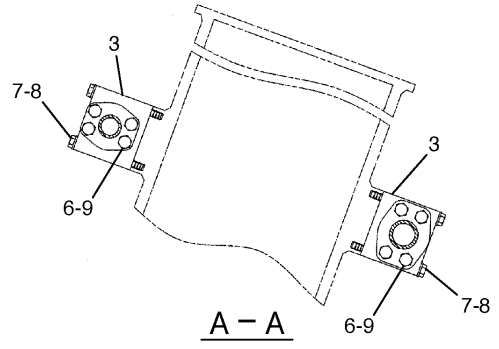
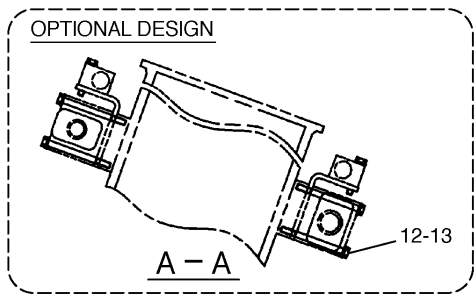
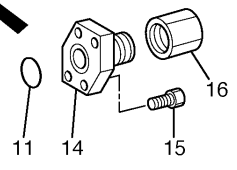
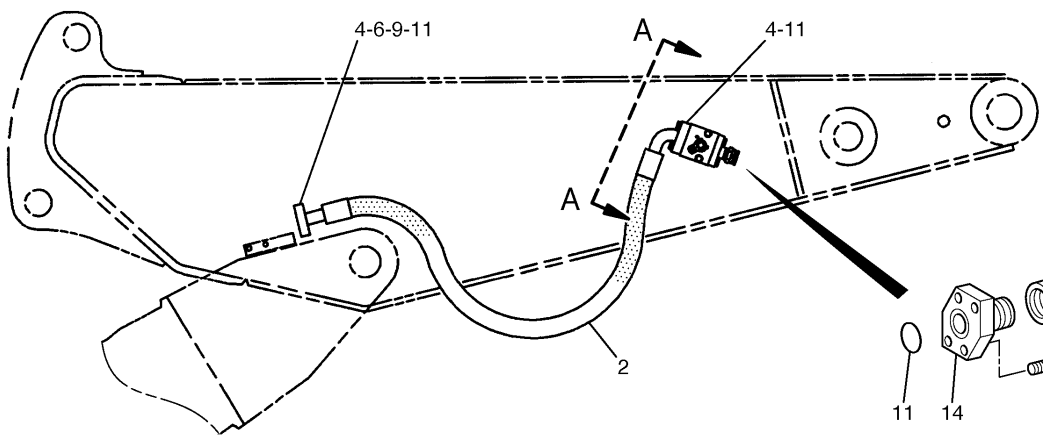
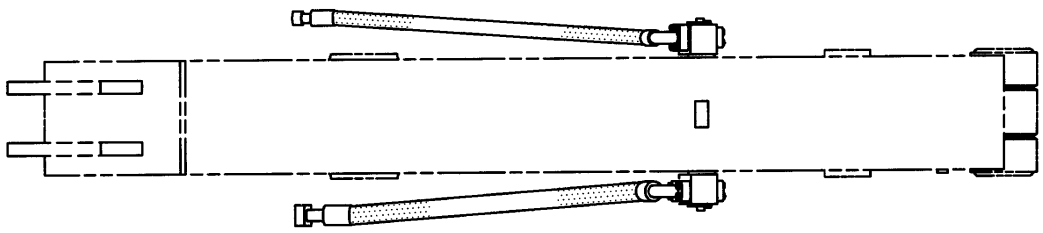
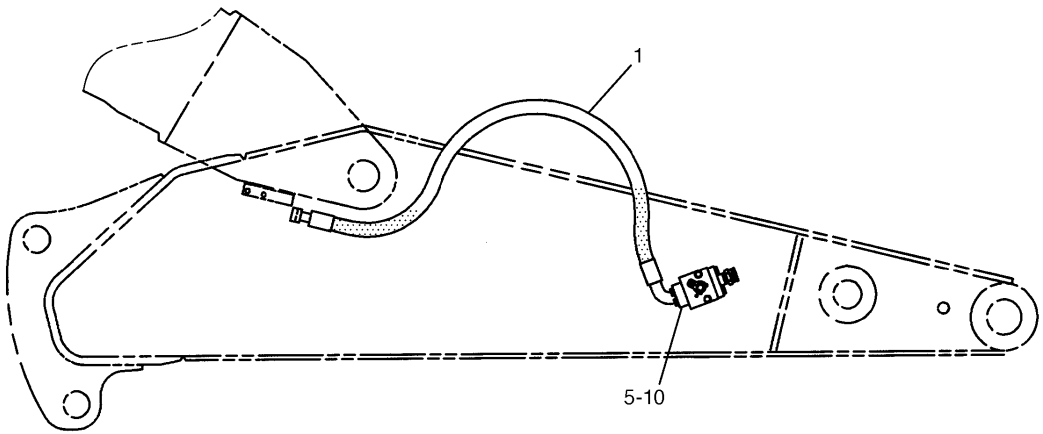
NOTE	No.	PART No.	QTY	PART NAME	NOTE	No.	PART No.	QTY	PART NAME
	1	102-1279	2	HOSE AS					
	2	6V-9746	2	SEAL-O-RING (OD=22.50mm)					

H74445E 00

179-7837 LINES GP-STICK
 Part of 176-2780,193-6738-Page704,197-2332,202-7030-Page704.01
 An Attachment

MEMORANDA

HYDRAULIC SYSTEM



H94044E 01

202-6941 LINES GP-AUXILIARY HYDRAULIC
 277-0954-Page594
 An Attachment

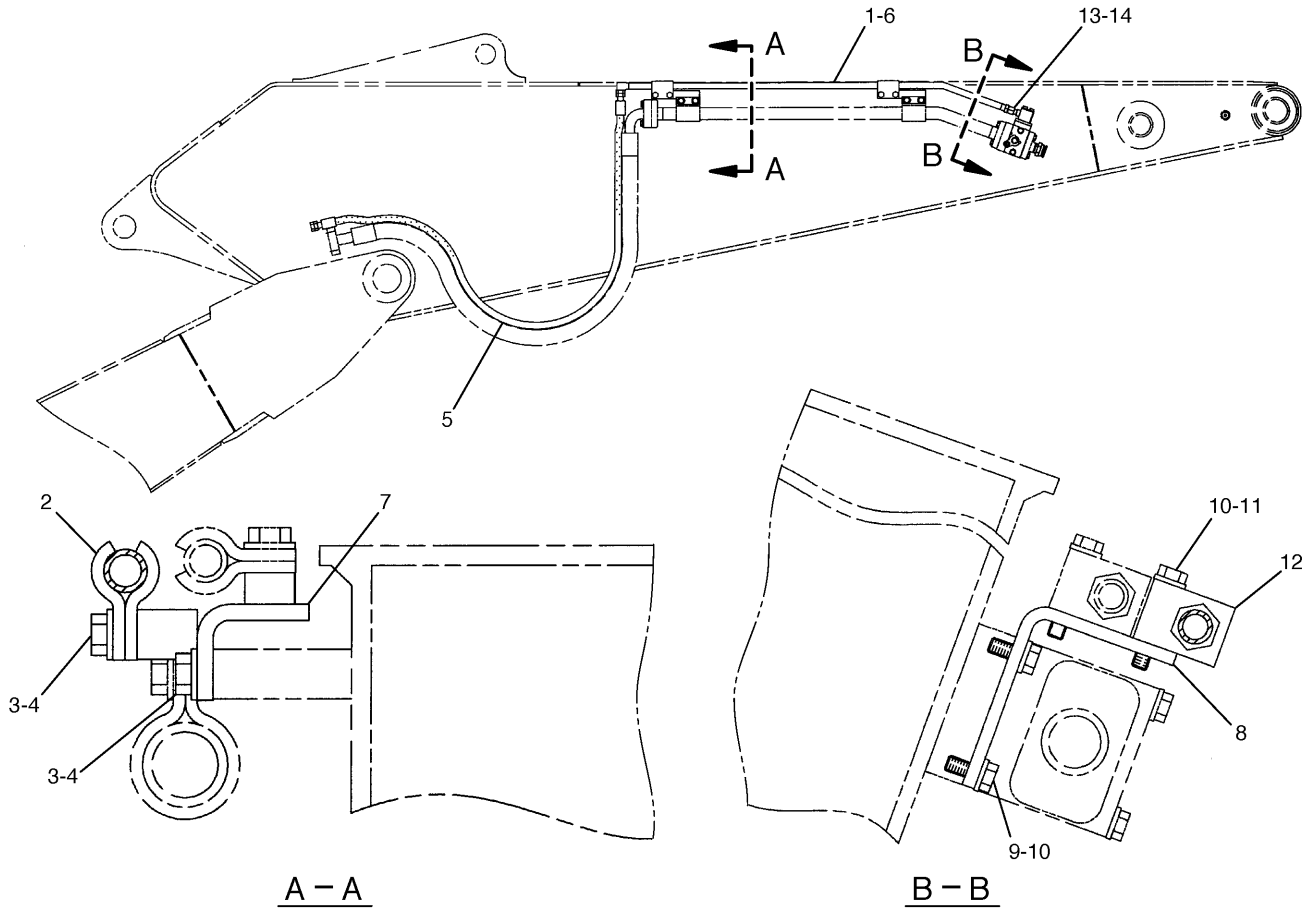
HYDRAULIC SYSTEM

NOTE	No.	PART No.	QTY	PART NAME	NOTE	No.	PART No.	QTY	PART NAME
	1	198-0462	2	TUBE AS					
	2	173-7864	2	HOSE AS					
	3	8T-4121	8	WASHER					
	4	187-9977	2	PLATE					
	5	187-9978	2	SUPPORT AS					
	6	187-9981	2	SUPPORT AS					
	7	6V-8398	4	SEAL-O-RING (OD=16.03mm)					
	8	8T-4223	16	WASHER					
	9	149-1738	8	CLIP					
	10	8T-4139	16	BOLT (L=30mm)					
	11	8T-6466	4	BOLT (L=60mm)					
	12	8T-4136	4	BOLT (L=25mm)					
	13	7X-3164	2	ADAPTER					
	14	3K-0360	2	SEAL-O-RING (ID=16.36mm)					
	15	6C-6760	2	MANIFOLD					
	16	197-2360	2	PLATE					

H74457E 00

193-6626 LINES GP-AUXILIARY HYDRAULIC
An Attachment

HYDRAULIC SYSTEM



NOTE	No.	PART No.	QTY	PART NAME	NOTE	No.	PART No.	QTY	PART NAME
	1	197-2341	1	TUBE AS					
	2	149-1738	4	CLIP					
	3	8T-4223	8	WASHER					
	4	8T-4139	8	BOLT (L=30mm)					
	5	179-5128	1	HOSE AS					
	6	6V-8398	2	SEAL-O-RING (OD=16.03mm)					
	7	188-0044	2	SUPPORT AS					
	8	188-0043	1	PLATE					
	9	8T-4136	2	BOLT (L=25mm)					
	10	8T-4121	4	WASHER					
	11	8T-6466	2	BOLT (L=60mm)					
	12	6C-6760	1	MANIFOLD					
	13	7X-3164	1	ADAPTER					
	14	3K-0360	1	SEAL-O-RING (ID=16.36mm)					

H74434E 02

179-5171 LINES GP-DRAIN
An Attachment

HYDRAULIC SYSTEM

NOTE	No.	PART No.	QTY	PART NAME	NOTE	No.	PART No.	QTY	PART NAME
Y	1	159-7841	1	SWIVEL GP					
	2	8T-4136	6	BOLT (L=25mm)					
	3	8T-4121	6	WASHER					
B	4	1U-8846		GASKET MAKER...(2ml)					
	5	187-5964	1	HOSE AS					
	6	199-1587	1	HOSE AS					
	7	9X-6032	16	BOLT (L=30mm)					
	8	5K-9090	4	SEAL-O-RING (OD=27.22mm)					
	9	113-6479	2	FLANGE					
	10	4J-5267	4	SEAL-O-RING (ID=24.99mm)					
	11	7Y-3730	2	FLANGE					
	12	187-5968	1	HOSE AS					
	13	199-1591	1	HOSE AS					
	14	8T-4184	48	BOLT (L=45mm)					
	15	6V-0400	24	FLANGE					
	16	1P-3703	12	SEAL					
	17	8T-4223	48	WASHER					
	18	4I-5546	1	SUPPORT					
	19	8T-4648	2	BOLT (L=70mm)					
	20	5P-1076	2	WASHER					
	21	6V-8641	2	CONNECTOR					
	22	6V-9844	1	TEE					
	23	4I-7745	1	CONNECTOR					
	24	6V-8639	2	CONNECTOR					
	25	6V-9850	2	ELBOW					
	26	5I-8853	2	HOSE AS					
	27	115-8749	4	HOSE AS					
	28	096-0061	6	STRAP					
	29	121-6279	1	HOSE AS					
	30	121-6282	1	HOSE AS					
	31	6V-8774	1	TEE					
	32	108-7118	4	GROMMET					
	33	3J-1907	3	SEAL-O-RING (ID=11.89mm)					
34	4J-5477	2	SEAL-O-RING (OD=11.23mm)						
35	6V-8398	5	SEAL-O-RING (OD=16.03mm)						
36	3D-2824	1	SEAL-O-RING (ID=23.47mm)						
37	3K-0360	2	SEAL-O-RING (ID=16.36mm)						
38	6V-8397	4	SEAL-O-RING (OD=12.83mm)						

B-USE AS REQUIRED
Y-SEE SEPARATE ILLUSTRATION

H74438E 01

179-7796 LINES GP-TRAVEL MOTOR
S/N BKT 1-00299
159-7841-Page506

HYDRAULIC SYSTEM

Consists of :

			Page
1	153-8761	CONTROL GP-HYDRAULIC.....	516
1	179-7825	LINES GP-PILOT	446
1	179-7826	LINES GP-PILOT	448
1	179-7827	LINES GP-FRONT	470
1	176-2707	FILM GP	778
1	183-0997	WIRING GP	193

H91485E 04

179-5157 CONTROL AR-AUXILIARY An Attachment

Consists of :

			Page
1	153-8761	CONTROL GP-HYDRAULIC.....	516
1	173-7984	VALVE & MOUNTING GP	521
1	179-7828	LINES GP-PILOT	450
1	179-7829	LINES GP-PILOT	452
1	179-7830	LINES GP-FRONT	474
1	183-0997	WIRING GP	193
1	176-2707	FILM GP	778

H91486E 04

179-5158 CONTROL AR-AUXILIARY An Attachment

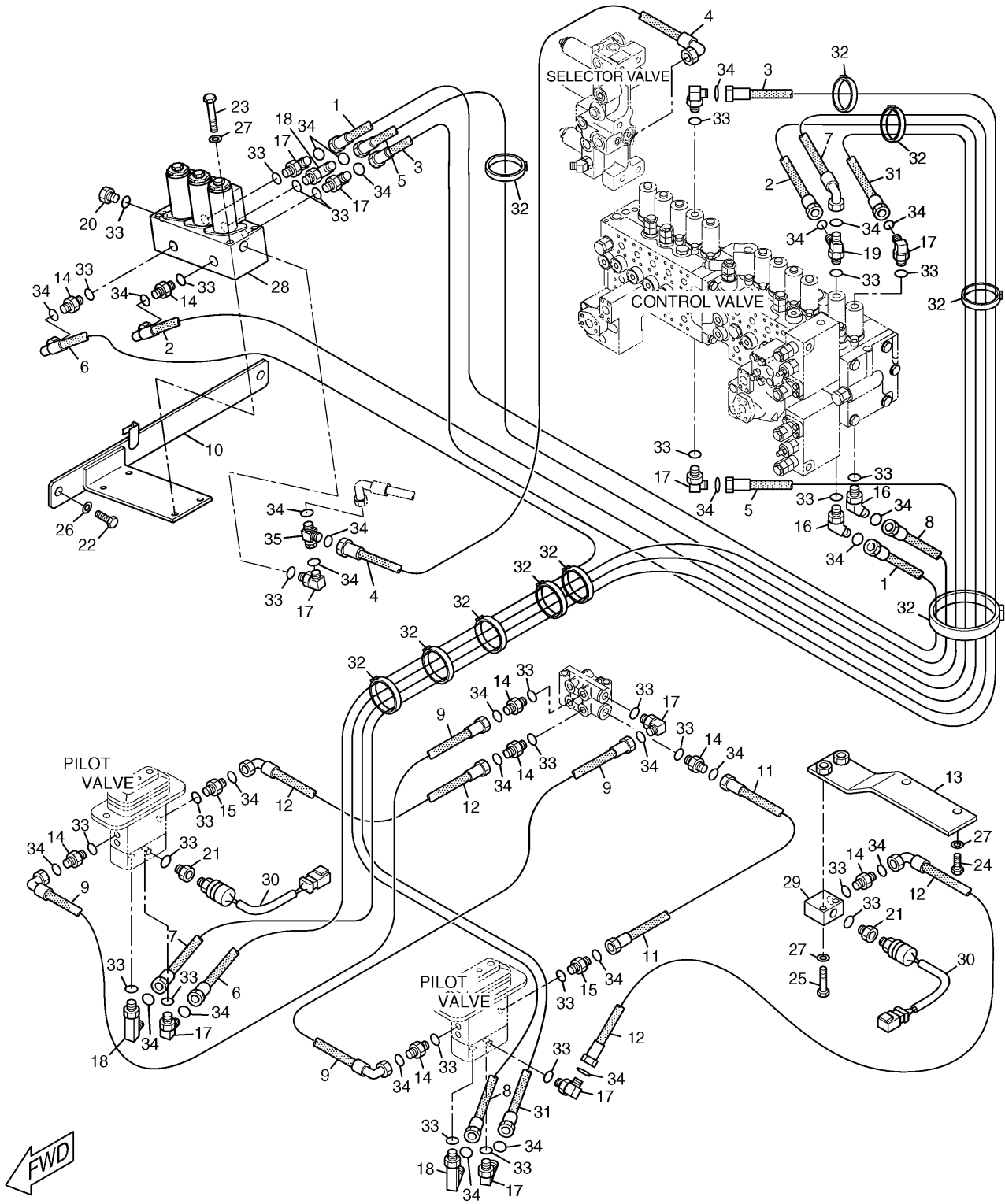
HYDRAULIC SYSTEM

NOTE	No.	PART No.	QTY	PART NAME	NOTE	No.	PART No.	QTY	PART NAME
	1	5 I - 8 8 2 5	1	HOSE AS (NOM 06, L=750mm)					
	2	8 T - 0 0 7 5	1	CONNECTOR					
	3	7 K - 1 1 8 1	9	STRAP					
	4	0 8 7 - 4 4 0 2	1	HOSE AS (NOM 06, L=480mm)					
	5	0 8 7 - 6 5 8 5	1	HOSE AS (NOM 06, L=350mm)					
	6	6 V - 8 7 2 4	3	ELBOW					
	7	6 V - 8 6 3 6	3	CONNECTOR					
	8	1 9 9 - 1 9 1 3	1	HOSE AS (NOM 06, L=3750mm)					
	9	1 0 7 - 6 6 3 1	1	CONNECTOR					
	10	9 S - 4 1 9 1	1	PLUG					
	11	1 6 7 - 3 4 6 6	1	SWITCH AS (PRESSURE)					
		1 0 2 - 8 8 0 2	1	RECEPTACLE KIT					
		9 X - 3 4 0 1	2	PIN					
	12	1 0 8 - 7 5 1 6	1	FITTING					
	13	3 J - 1 9 0 7	10	SEAL-O-RING (ID=11.89mm)					
	14	6 V - 8 3 9 7	8	SEAL-O-RING (OD=12.83mm)					

H91062E 01

179-7825 LINES GP-PILOT
 Part of 179-5157-Page436
 An Attachment

HYDRAULIC SYSTEM



H91067E 04

179-7831 LINES GP-PILOT
 Part of 179-5159-Page438
 165-9549-Page574
 An Attachment

HYDRAULIC SYSTEM

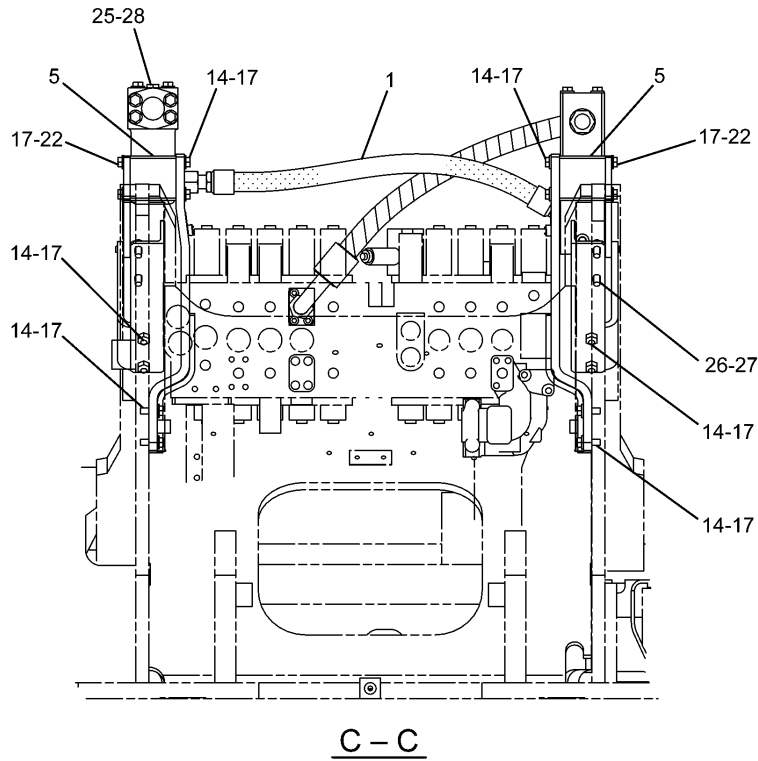
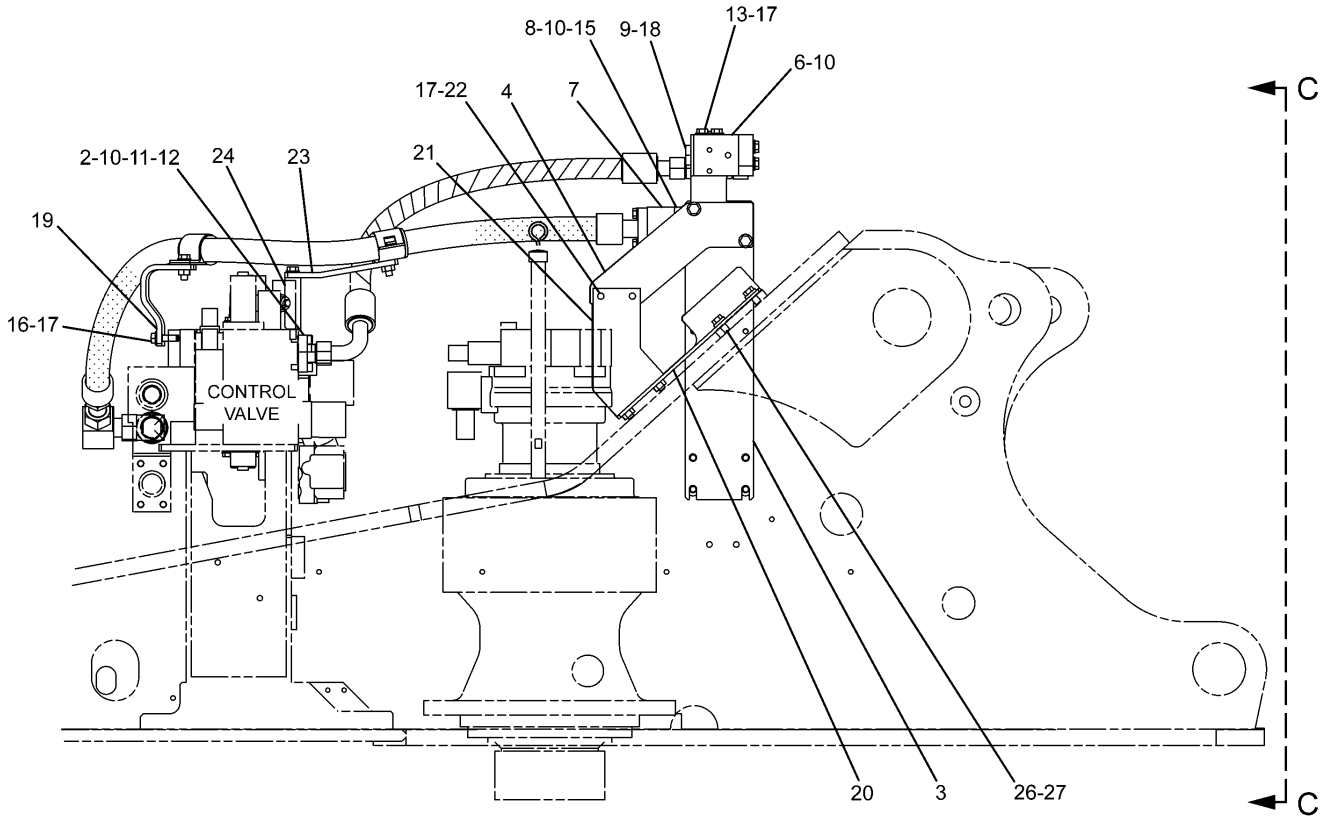
NOTE	No.	PART No.	QTY	PART NAME	NOTE	No.	PART No.	QTY	PART NAME
Y	1	121-6460	1	SUPPORT AS					
	2	250-2577	1	VALVE GP					
	3	184-9575	1	TUBE AS					
	4	184-9576	1	TUBE AS					
	5	168-9760	1	HOSE AS					
	6	168-9761	1	HOSE AS					
	7	168-9762	1	HOSE AS					
	8	108-7550	1	CLIP					
	9	133-5828	1	SUPPORT AS					
	10	6V-8635	1	CONNECTOR					
	11	1P-3703	3	SEAL					
	12	4J-5267	3	SEAL-O-RING (ID=24.99mm)					
	13	6V-9746	4	SEAL-O-RING (OD=22.50mm)					
	14	8T-4139	2	BOLT (L=30mm)					
	15	8T-4223	2	WASHER					
	16	9F-2167	1	SCREW					
	17	101-7404	24	BOLT (L=30mm)					
	18	5K-9090	1	SEAL-O-RING (OD=27.22mm)					
	19	7M-8485	1	SEAL-O-RING (ID=29.74mm)					
	20	1P-4577	4	FLANGE					
	21	4J-0520	2	SEAL-O-RING (ID=32.92mm)					

Y-SEE SEPARATE ILLUSTRATION

H88719E 09

179-7799 LINES GP-FRONT (2/2)
 S/N BKH 1-00364, BKT 1-00358, BLA 1-00214, BLX 1-00313
 250-2577-Page586

HYDRAULIC SYSTEM



H91493E 05

179-7827 LINES GP-FRONT (2/2)
 S/N BKH (T05.11)-Up, BKT (T05.11)-Up, BLA (T05.11)-Up, BLX (T05.11)-Up
 Part of 179-5157-Page436
 An Attachment

HYDRAULIC SYSTEM

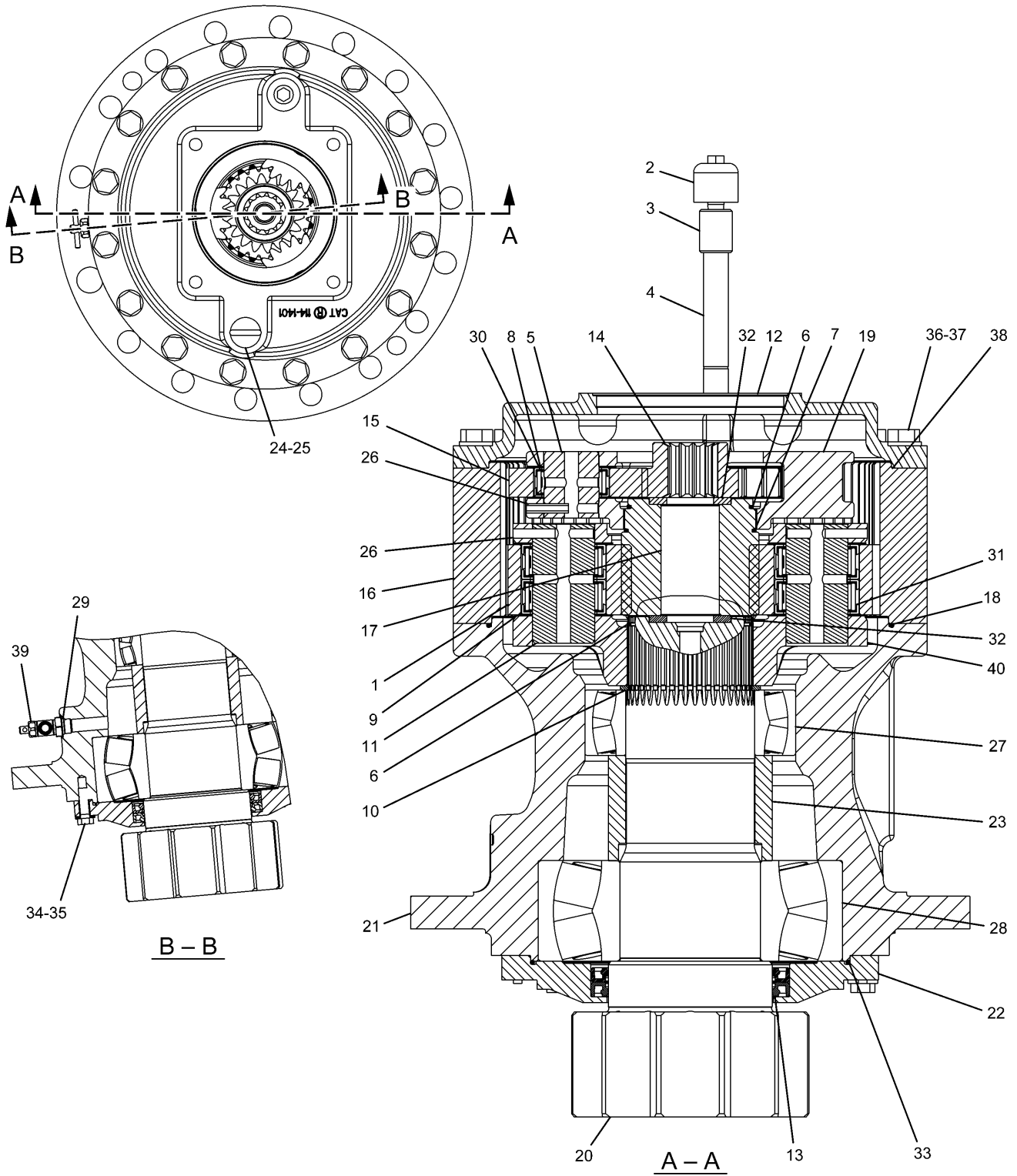
NOTE	No.	PART No.	QTY	PART NAME	NOTE	No.	PART No.	QTY	PART NAME
	1	202-3851	1	HOSE AS					
	2	142-7781	1	BLOCK					
Y	3	215-4890	1	VALVE GP					
	4	168-9666	1	BLOCK					
Y	5	177-2653	1	VALVE GP					
	6	212-5495	1	HOSE AS					
	7	202-3988	1	SUPPORT AS					
	8	193-9994	1	HOSE AS					
	9	199-1767	1	HOSE AS					
	10	199-1773	1	ELBOW					
	11	199-1828	1	HOSE AS					
	12	099-8232	1	SEAL-O-RING (ID=28.24mm)					
	13	6V-8635	3	CONNECTOR					
	14	6V-9007	1	ELBOW					
	15	6V-9005	1	ELBOW					
	16	6V-9855	1	ELBOW					
	17	1P-3703	3	SEAL					
	18	1P-4578	2	FLANGE					
	19	2S-4078	1	SEAL-O-RING (ID=37.47mm)					
	20	4J-0522	1	SEAL-O-RING (ID=37.69mm)					
	21	4J-5267	1	SEAL-O-RING (ID=24.99mm)					
	22	5K-9090	6	SEAL-O-RING (OD=27.22mm)					
	23	5P-7468	2	CLIP					
	24	5P-7469	2	CLIP					
	25	6V-0545	2	GROMMET					
	26	6V-8400	2	SEAL-O-RING (ID=30.01mm)					
	27	6V-9746	2	SEAL-O-RING (OD=22.50mm)					
	28	7Y-3729	1	FLANGE					
	29	196-0484	1	TUBE AS					
	30	7Y-3731	1	FLANGE					
	31	8T-4178	4	BOLT (L=90mm)					
	32	8T-4121	4	WASHER					
	33	8T-4176	4	BOLT (L=90mm)					
	34	7I-2673	1	STRAP					
	35	8T-4223	14	WASHER					
	36	8T-5412	4	BOLT (L=140mm)					
	37	8T-7586	4	BOLT (L=100mm)					
	38	101-7404	8	BOLT (L=30mm)					
	39	7M-8485	4	SEAL-O-RING (ID=29.74mm)					
	40	3D-2824	1	SEAL-O-RING (ID=23.47mm)					
	41	204-1611	1	STRAP					
	42	212-5567	1	PLATE					
	43	212-5570	1	PLATE					
	44	212-5491	1	SUPPORT AS					
	45	212-5571	1	SUPPORT AS					
	46	8T-4139	3	BOLT (L=30mm)					
	47	8T-4183	2	BOLT (L=40mm)					
	48	8T-5001	1	BOLT (L=130mm)					
	49	1P-3702	1	SEAL					

Y-SEE SEPARATE ILLUSTRATION

H91488E 06

179-7824 LINES GP-FRONT (1/2)
 S/N BKH (T02.06)-Up, BKT (T02.06)-Up, BLA (T02.06)-Up, BLX (T02.06)-Up
 Part of 179-5156-Page437,179-5159-Page438
 177-2653-Page569,215-4890-Page578
 An Attachment

HYDRAULIC SYSTEM



H89793E 04

191-2693 DRIVE GP-SWING
Part of 199-4487-Page489

HYDRAULIC SYSTEM

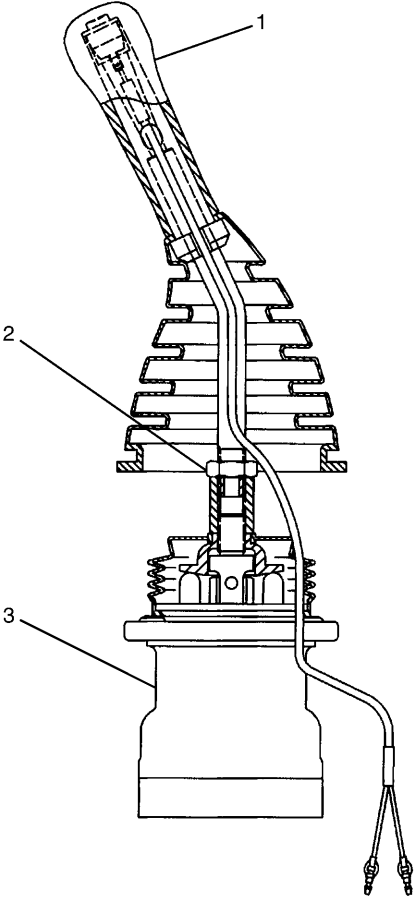
NOTE	No.	PART No.	QTY	PART NAME	NOTE	No.	PART No.	QTY	PART NAME
	1	087-4629	1	SHAFT	J	49	7Y-4217	2	RING
	2	087-4743	2	STOPPER	J	50	096-4376	1	SEAL
	3	094-1399	2	RING		51	123-2008	2	KEY
	4	7Y-4212	1	BEARING		52	095-7419	4	SCREW
	5	087-4757	2	PISTON		53	7Y-4224	2	ORIFICE
	6	107-6969	1	BODY	J	54	3K-0360	1	SEAL-O-RING (ID=16.36mm)
	7	122-5114	1	GUIDE		55	9S-4185	1	PLUG
	8	087-4628	1	PLATE					
	9	147-5860	1	PISTON AS					THE FOLLOWING REPAIR
	10	133-6777	1	BARREL AS					KIT IS AVAILABLE:
	11	107-6954	4	PLATE		7Y-4222		1	SEAL KIT
	12	107-6955	5	PLATE					(INCLUDES PARTS MARKED J)
	13	096-1523	1	GUIDE					
	14	7Y-4213	1	PISTON					THE FOLLOWING SERVICE
	15	7Y-4202	1	HEAD					REPAIR IS AVAILABLE:
	16	8T-4944	10	BOLT (L=40mm)		142-5515		2	RING
B	17	096-1521	1	SHIM (T=1.00mm)					
B		096-3785	1	SHIM (T=1.20mm)					
B		096-3786	1	SHIM (T=1.40mm)					
B		096-3787	1	SHIM (T=1.60mm)					
B		096-3788	1	SHIM (T=1.80mm)					
B		096-1522	1	SHIM (T=2.00mm)					
	18	096-3978	1	SPRING					
	19	7Y-4216	1	SPOOL					
J	20	2M-9780	1	SEAL-O-RING (ID=19.18mm)					
	21	087-4786	1	ADAPTER					
	22	121-1558	2	PIN					
	23	096-5916	2	SEAT					
	24	2D-6642	2	BALL					
J	25	095-1572	2	SEAL-O-RING (ID=4.80mm)					
J	26	096-5919	2	RING					
	27	096-5915	2	RETAINER					
	28	096-4003	1	BEARING SET					
J	29	095-1585	1	SEAL-O-RING (ID=17.80mm)					
	30	087-4742	1	VALVE					
	31	096-1519	1	SEAT					
	32	095-7380	1	SPRING					
	33	095-7382	1	RETAINER					
	34	094-1875	1	DOWEL					
	35	095-7378	1	WASHER SET					
	36	094-1882	11	PLUG					
J	37	095-1575	3	SEAL-O-RING (ID=7.80mm)					
J	38	096-4378	1	RING					
J	39	096-4377	2	SEAL-O-RING (ID=190.00mm)					
J	40	095-1700	2	SEAL-O-RING (ID=34.40mm)					
J	41	095-7384	1	SEAL-O-RING (ID=160.00mm)					
J	42	095-7383	1	SEAL-O-RING (ID=174.00mm)					
J	43	095-7386	1	RING					
J	44	095-7387	1	RING					
J	45	095-1685	1	SEAL-O-RING (ID=179.30mm)					
	46	118-4057	9	SPRING					
	47	7Y-4215	1	SPACER					
J	48	095-1586	2	SEAL-O-RING (ID=19.80mm)					

B—USE AS REQUIRED

H85439E 08

107-7029 MOTOR GP-TRAVEL
 S/N BKH 1-00330, BKT 1-00311
 Part of 204-2666-Page496

HYDRAULIC SYSTEM



NOTE	No.	PART No.	QTY	PART NAME	NOTE	No.	PART No.	QTY	PART NAME
Y	1	164-0532	1	CONTROL GP					
	2	7Y-8463	1	NUT					
Y	3	206-3305	1	VALVE GP					

Y-SEE SEPARATE ILLUSTRATION

H78765E 00

206-3303 VALVE GP-PILOT
 Part of 179-7802-Page441
 164-0532-Page510,206-3305-Page580

HYDRAULIC SYSTEM

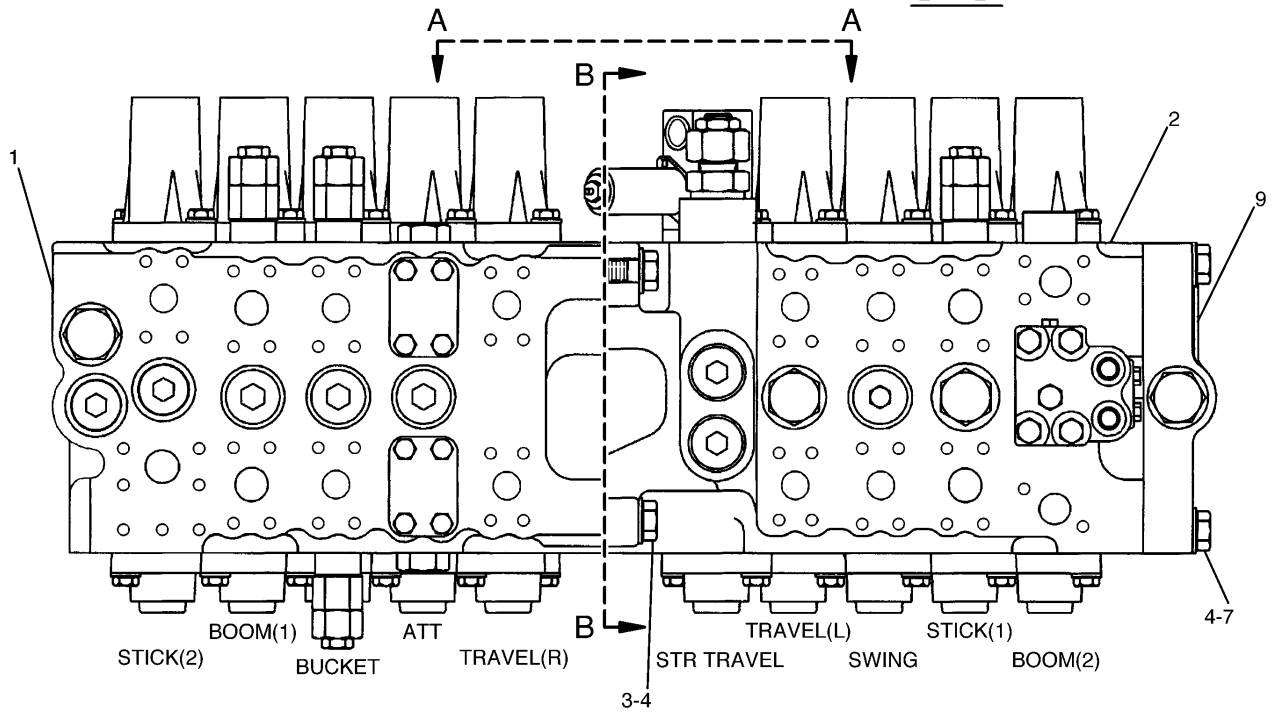
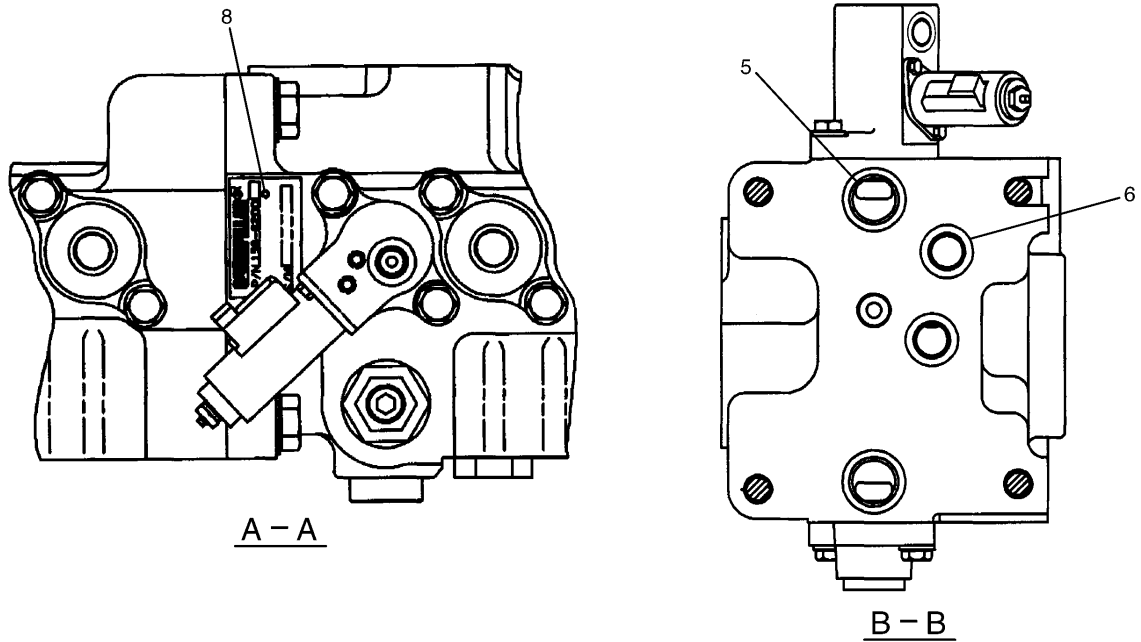
NOTE	No.	PART No.	QTY	PART NAME	NOTE	No.	PART No.	QTY	PART NAME
	1	121-1865	1	PEDAL					
	2	122-9611	1	PEDAL					
	3	153-8753	1	PEDAL AS					
	4	153-8762	1	PEDAL AS					
	5	179-5044	1	SUPPORT AS					
	6	153-8763	1	SUPPORT AS					
Y	7	206-3336	2	VALVE GP					
	8	179-5046	1	FLOORMAT					
	9	51-7090	2	CHAIN AS					
	10	8T-0114	2	PIN					
	11	128-2173	2	PIN					
	12	095-0735	4	SCREW					
	13	7X-2536	4	BOLT (L=14mm)					
	14	8T-4136	4	BOLT (L=25mm)					
	15	8T-4137	2	BOLT (L=20mm)					
	16	8T-4224	4	WASHER					
	17	8T-4121	6	WASHER					

Y-SEE SEPARATE ILLUSTRATION

H78624E 03

179-4598 CONTROL GP-HYDRAULIC
 Part of 179-5156-Page437,179-5159-Page438
 206-3336-Page591
 An Attachment

HYDRAULIC SYSTEM



H84741E 00

236-6377 VALVE GP-MAIN CONTROL
 S/N BKH 1-00348, BKT 1-00341, BLA 1-00213, BLX 1-00307
 Part of 177-2800-Page523.02
 177-2801-Page526, 177-2802-Page530, 153-5313-Page546

HYDRAULIC SYSTEM

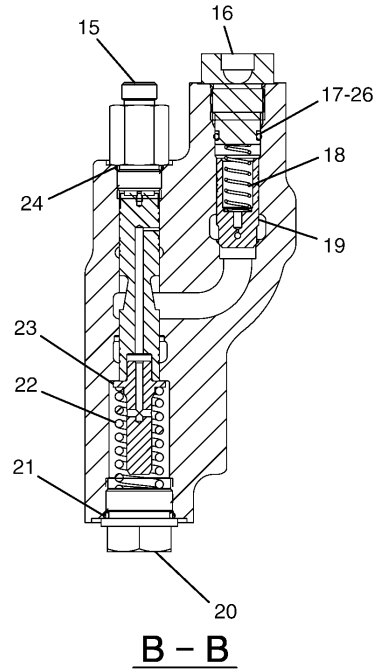
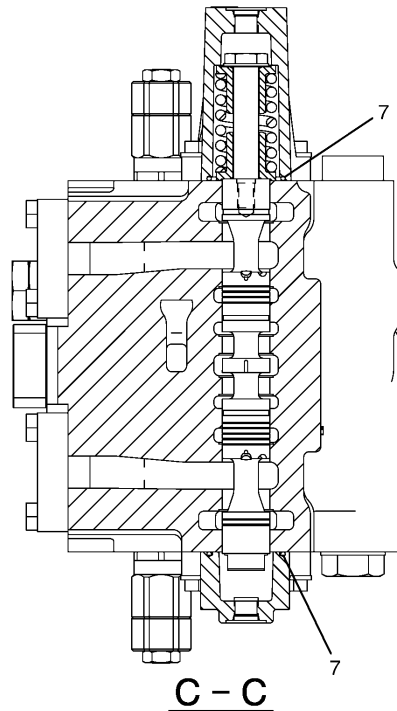
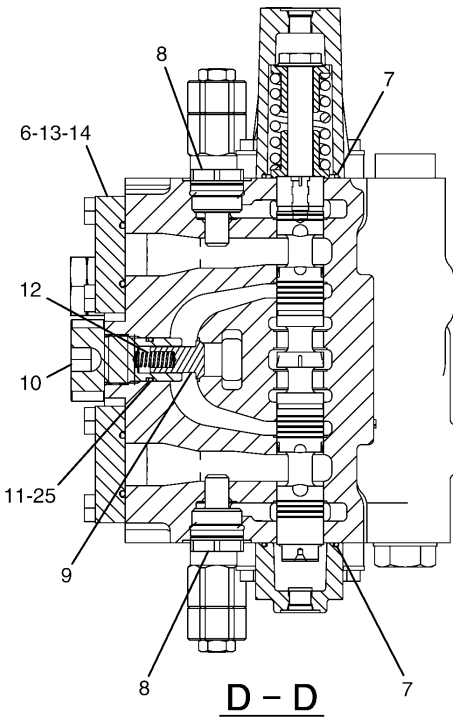
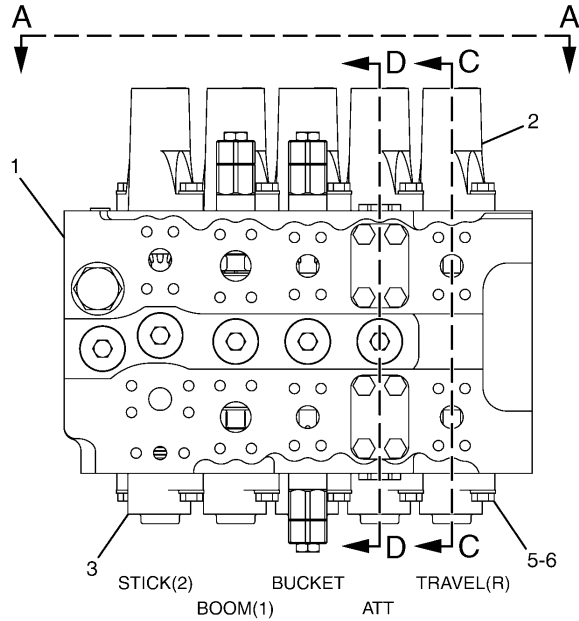
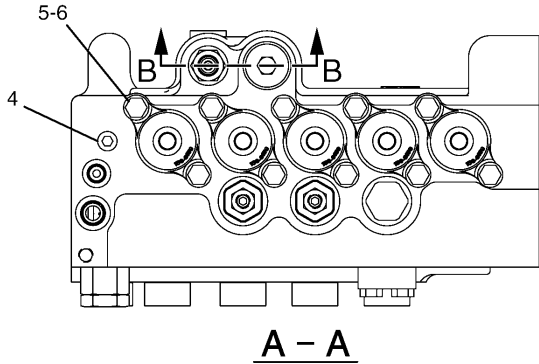
NOTE	No.	PART No.	QTY	PART NAME	NOTE	No.	PART No.	QTY	PART NAME
Y	1	177-2803	1	VALVE GP					
	2	158-8159	5	HOUSING					
	3	6E-2274	5	COVER					
	4	111-9959	1	PLUG					
	5	8T-4121	20	WASHER					
	6	8T-4195	28	BOLT (L=30mm)					
	7	6V-5597	4	SEAL-O-RING (ID=40.94mm)					
Y	8	6E-4816	2	PLUG GP					
	9	6E-5731	1	VALVE					
	10	201-9261	1	PLUG					
	11	4K-1388	1	SEAL-O-RING (ID=26.59mm)					
	12	7I-1248	1	SPRING					
	13	7Y-8099	2	COVER					
	14	4J-0519	2	SEAL-O-RING (ID=31.34mm)					
	15	153-5291	1	CONNECTOR					
	16	231-6879	1	PLUG					
	17	3D-2824	1	SEAL-O-RING (ID=23.47mm)					
	18	153-5293	1	SPRING					
	19	153-5292	1	VALVE					
	20	153-5290	1	PLUG					
	21	7M-8485	1	SEAL-O-RING (ID=29.74mm)					
	22	153-5288	1	SPRING					
	23	153-5289	1	GUIDE					
	24	2M-9780	1	SEAL-O-RING (ID=19.18mm)					

Y-SEE SEPARATE ILLUSTRATION

H88702E 00

236-6379 VALVE GP-CONTROL (1/2)
 S/N BKH 1-00348, BKT 1-00341, BLA 1-00213, BLX 1-00307
 Part of 236-6378-Page525.02
 177-2803-Page534,6E-4816-Page538

HYDRAULIC SYSTEM



H88712E 00

258-0285 VALVE GP-CONTROL (1/2)

S/N BKH 00349-Up, BKT 00342-Up, BLA 00214-Up, BLX 00308-Up
 Part of 258-0284-Page525.04
 240-3066-Page537.01,6E-4816-Page538

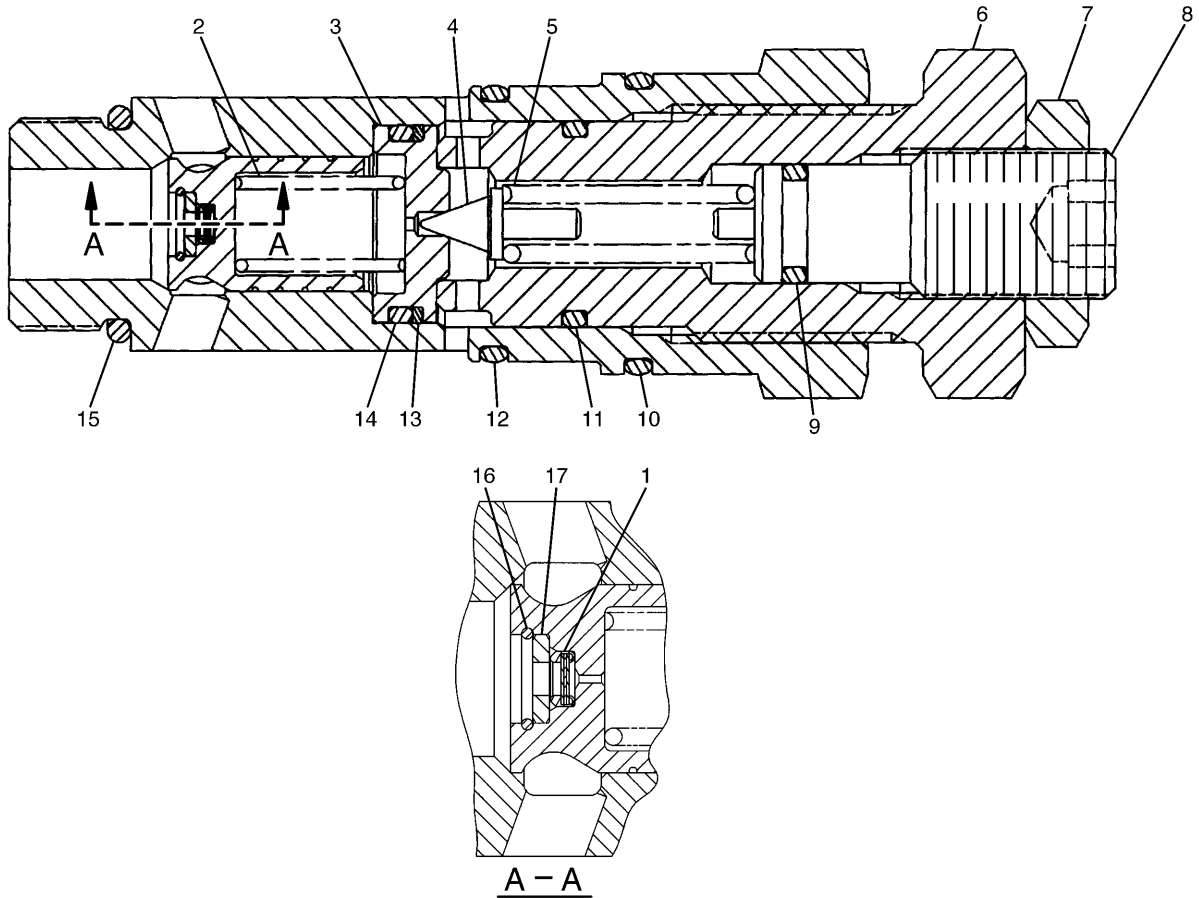
HYDRAULIC SYSTEM

NOTE	No.	PART No.	QTY	PART NAME	NOTE	No.	PART No.	QTY	PART NAME
	1	3K-0360	1	SEAL-O-RING (ID=16.36mm)					
	2	158-8135	1	GUIDE					
	3	104-7296	1	SPRING					
	4	6E-2271	8	RETAINER					
	5	153-5276	4	BOLT					
	6	104-7293	2	SPRING					
	7	104-7294	1	SPRING					
	8	6E-2163	1	VALVE					
	9	2S-2596	1	SPRING					
				THE FOLLOWING SERVICE KITS ARE AVAILABLE:					
		225-4691	1	REPAIR KIT (BOOM 2)					
		225-4695	1	REPAIR KIT (STICK 1)					
		231-6907	1	REPAIR KIT (TRAVEL)					
		231-6920	1	REPAIR KIT (SWING)					
		231-6922	1	REPAIR KIT (STICK 1)					
		231-6938	1	REPAIR KIT (BOOM 2)					
		231-6924	1	STEM					

H85899E 06

177-2804 VALVE GP-CONTROL
 S/N BKH 1-00348, BKT 1-00341, BLA 1-00213, BLX 1-00307
 Part of 177-2802-Page531,236-6380-Page533.02

HYDRAULIC SYSTEM



NOTE	No.	PART No.	QTY	PART NAME	NOTE	No.	PART No.	QTY	PART NAME
	1	119-5398	1	FILTER					
	2	61-6795	1	SPRING					
	3	171-0034	1	SEAT					
	4	171-0037	1	VALVE					
	5	41-3510	1	SPRING					
	6	171-0035	1	HOLDER					
	7	41-7714	1	NUT					
	8	171-0036	1	ADJUSTER					
	9	095-1579	1	SEAL-O-RING (ID=10.80mm)					
	10	6V-8218	1	SEAL-O-RING (ID=32.99mm)					
	11	095-1590	1	SEAL-O-RING (ID=21.80mm)					
	12	6V-8978	1	SEAL-O-RING (ID=29.82mm)					
	13	095-1786	1	RING					
	14	095-1587	1	SEAL-O-RING (ID=20.80mm)					
	15	3D-2824	1	SEAL-O-RING (ID=23.47mm)					
	16	107-6541	1	RING					
	17	107-6540	1	COLLAR					

H67329E 00

171-0030 VALVE GP-RELIEF

Pilot Operated

Part of 177-2802-Page533,236-6380-Page533.04,258-0286-Page533.12

HYDRAULIC SYSTEM

NOTE	No.	PART No.	QTY	PART NAME	NOTE	No.	PART No.	QTY	PART NAME
	1	4B-4158	2	SCREW					
	2	4J-8998	2	SEAL-O-RING (ID=36.09mm)					
	3	6E-5731	1	VALVE					
	4	7I-1248	1	SPRING					
	5	158-8159	1	HOUSING					
Y	6	165-9473	2	PLUG GP					
Y	7	185-0490	2	VALVE GP					
	8	236-6419	1	PLUG					
	9	8T-4121	4	WASHER					
	10	8T-4195	4	BOLT (L=30mm)					
	11	095-1590	1	SEAL-O-RING (ID=21.80mm)					
	12	095-1787	1	RING					
	13	1P-3702	2	SEAL					
	14	4J-5267	2	SEAL-O-RING (ID=24.99mm)					
	15	6E-2274	1	COVER					
	16	6V-5597	2	SEAL-O-RING (ID=40.94mm)					
	17	7X-2545	8	BOLT (L=150mm)					
	18	244-8400	1	VALVE GP					

Y-SEE SEPARATE ILLUSTRATION

H89514E 00

244-8419 VALVE GP-CONTROL

S/N BKH (T05.06)-Up, BKT (T05.06)-Up, BLA (T05.06)-Up, BLX (T05.06)-Up

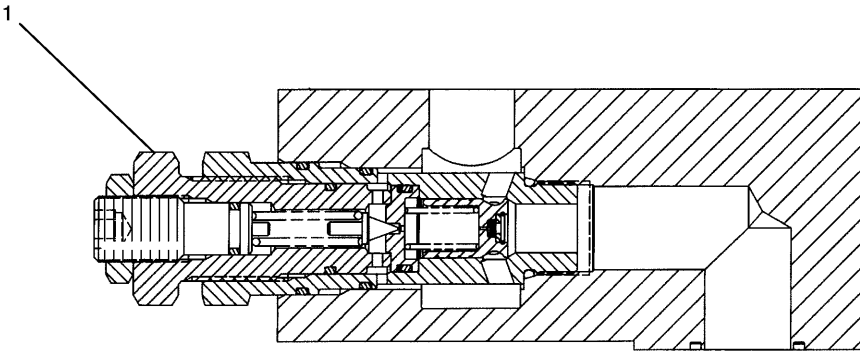
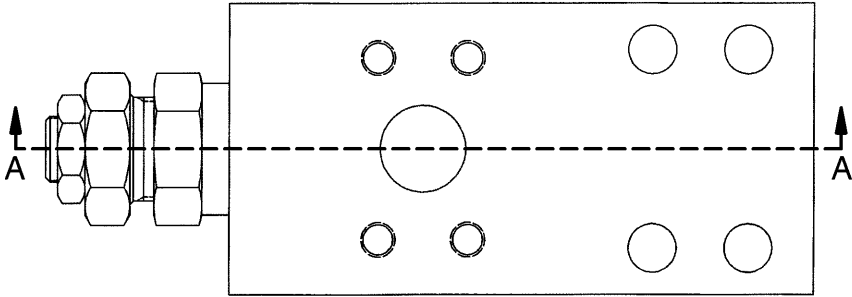
Part of 173-7985-Page522.01

165-9473-Page552,185-0490-Page553

An Attachment

MEMORANDA

HYDRAULIC SYSTEM



A - A

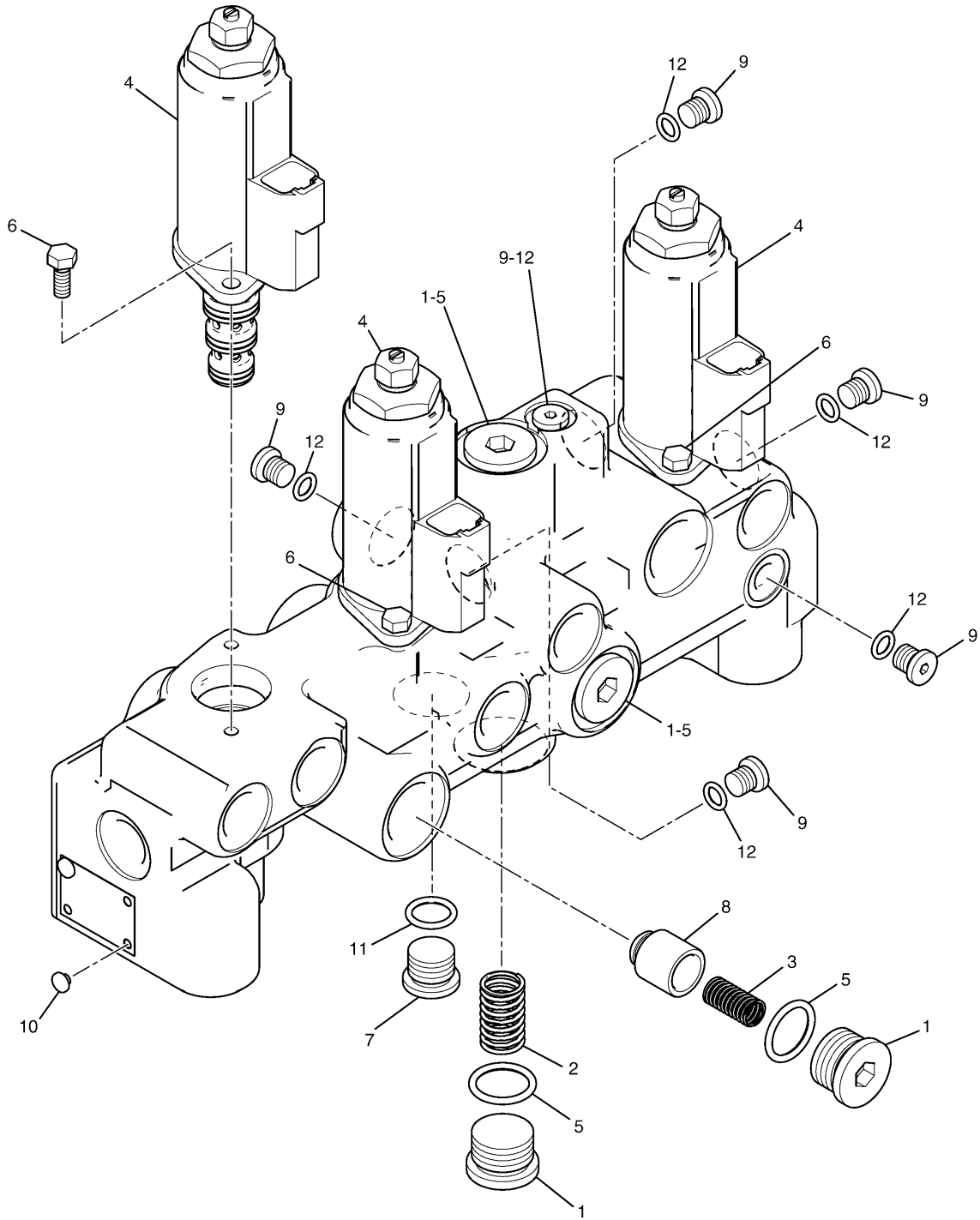
NOTE	No.	PART No.	QTY	PART NAME	NOTE	No.	PART No.	QTY	PART NAME
Y	1	222-0084	1	VALVE GP					

Y-SEE SEPARATE ILLUSTRATION

H81788E 01

177-2653 VALVE GP-RELIEF
 Part of 179-7827-Page471,179-7830-Page475,179-7824-Page479
 222-0084-Page544.01
 An Attachment

HYDRAULIC SYSTEM



H87214E 00

239-8697 VALVE GP-SELECTOR
Part of 215-5037-Page579
121-1491-Page573

HYDRAULIC SYSTEM

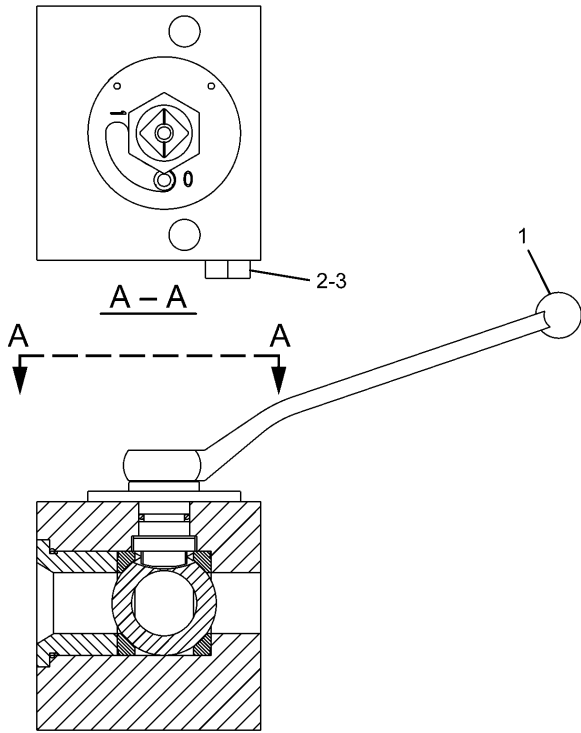
NOTE	No.	PART No.	QTY	PART NAME	NOTE	No.	PART No.	QTY	PART NAME
	1	3 J - 1 9 0 7	2	SEAL-O-RING (ID=11.89mm)					
	2	3 K - 0 3 6 0	1	SEAL-O-RING (ID=16.36mm)					
	3	4 B - 4 1 5 8	2	SCREW					
	4	4 I - 8 9 6 5	1	GUIDE					
	5	4 J - 7 5 3 3	2	SEAL-O-RING (ID=6.07mm)					
	6	5 I - 8 5 1 1	1	SPRING					
	7	0 8 7 - 5 1 6 6	1	SPRING					
	8	0 9 5 - 1 5 9 4	1	SEAL-O-RING (ID=25.70mm)					
	9	0 9 5 - 1 7 8 9	1	RING					
Y	10	2 5 0 - 2 5 0 8	1	VALVE GP					
	11	1 1 8 - 4 0 4 4	1	COVER					
	12	9 S - 8 0 0 5	1	PLUG					
	13	2 2 5 - 4 8 0 4	2	PLUG					
	14	1 9 0 - 7 8 6 5	1	CONNECTOR					
	15	8 T - 4 1 3 6	4	BOLT (L=25mm)					
	16	9 S - 4 1 9 1	1	PLUG					
	17	6 V - 8 3 9 7	1	SEAL-O-RING (OD=12.83mm)					
	18	2 5 5 - 5 8 8 2	1	VALVE GP					

Y-SEE SEPARATE ILLUSTRATION

H89145E 00

264-9963 VALVE GP-PILOT
 S/N BKH 00365-Up, BKT 00359-Up, BLA 00215-Up, BLX 00314-Up
 Part of 179-7799-Page469.02
 250-2508-Page541

HYDRAULIC SYSTEM



NOTE	No.	PART No.	QTY	PART NAME
	1	302-9466	1	HANDLE
	2	3J-1907	1	SEAL-O-RING (ID=11.89mm)
	3	9S-4191	1	PLUG

H97097E 01

277-0954 VALVE AS-BALL

Part of 179-5168-Page395,193-6625-Page397,193-6630-Page399,202-6941-Page401,193-6645-Page403
An Attachment

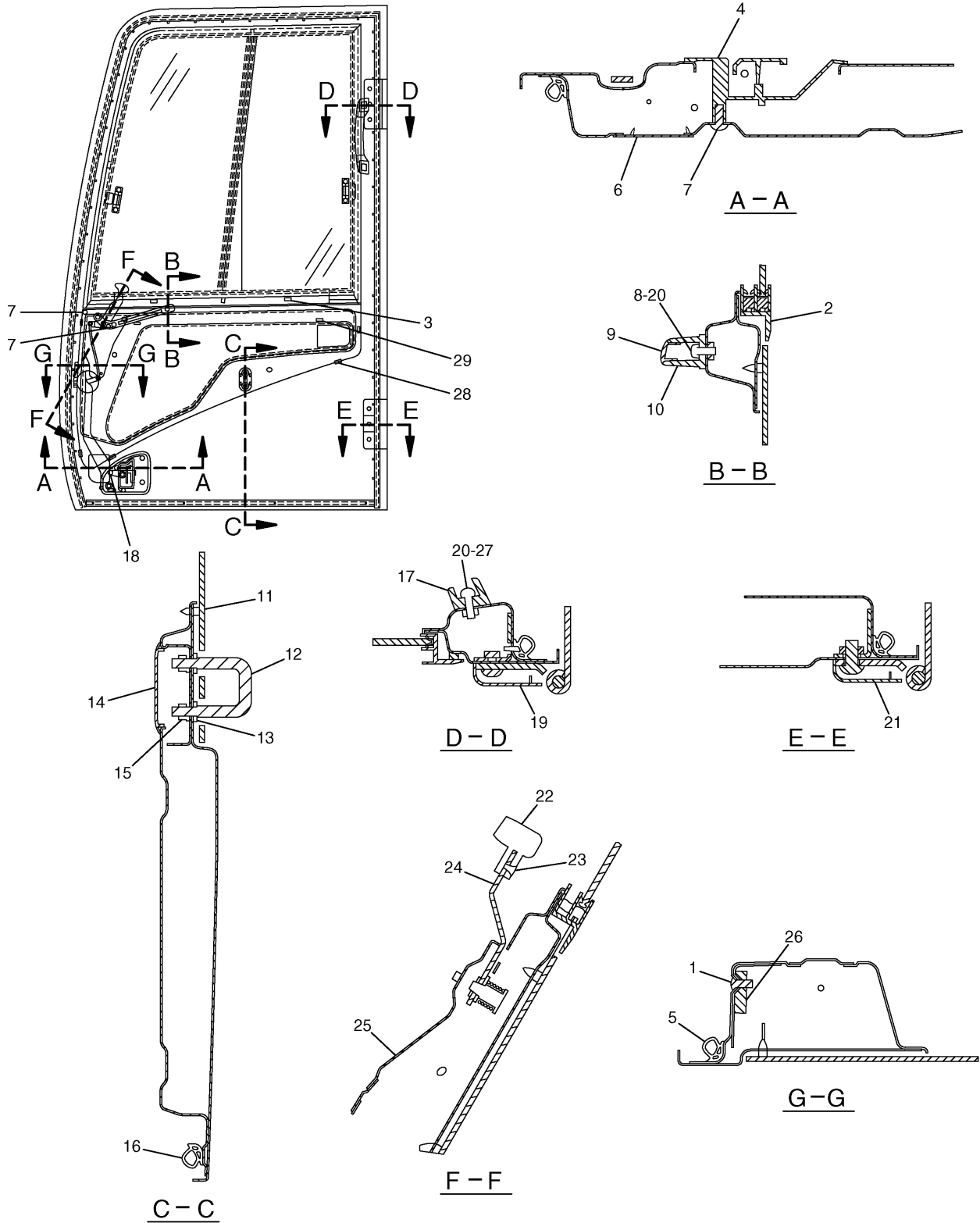
OPERATOR STATION

NOTE	No.	PART No.	QTY	PART NAME	NOTE	No.	PART No.	QTY	PART NAME
	1	156-6565	1	COVER					
	2	156-6574	1	COVER					
	3	164-0675	1	COVER					
	4	156-6576	1	LINER					
	5	156-6578	1	VISOR					
	6	156-6656	1	RAIL					
	7	156-6657	1	RAIL					
	8	185-8223	1	COVER					
	9	164-0647	1	BRACKET AS					
	10	170-9724	5	CLIP					
	11	171-7323	6	CLIP					
	12	171-7420	6	CLIP					
	13	176-1946	1	PLATE					
	14	176-1947	1	PLATE					
	15	176-1972	1	COVER					
	16	185-8205	5	CLIP					
	17	189-2678	3	SPACER					
	18	189-2855	1	COVER					
	19	124-3940	2	HANDLE					
	20	9X-2044	12	SCREW					
	21	9X-2042	6	SCREW					
	22	185-8214	1	BRACKET AS					
	23	185-8218	1	COVER					

H87062E 04

185-8278 CAB GP-INTERIOR (1/2)
 Part of 139-7092-Page601
 An Attachment

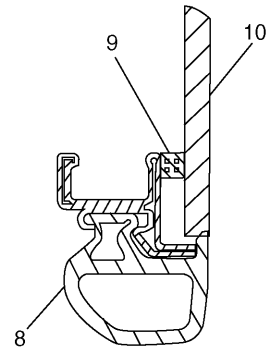
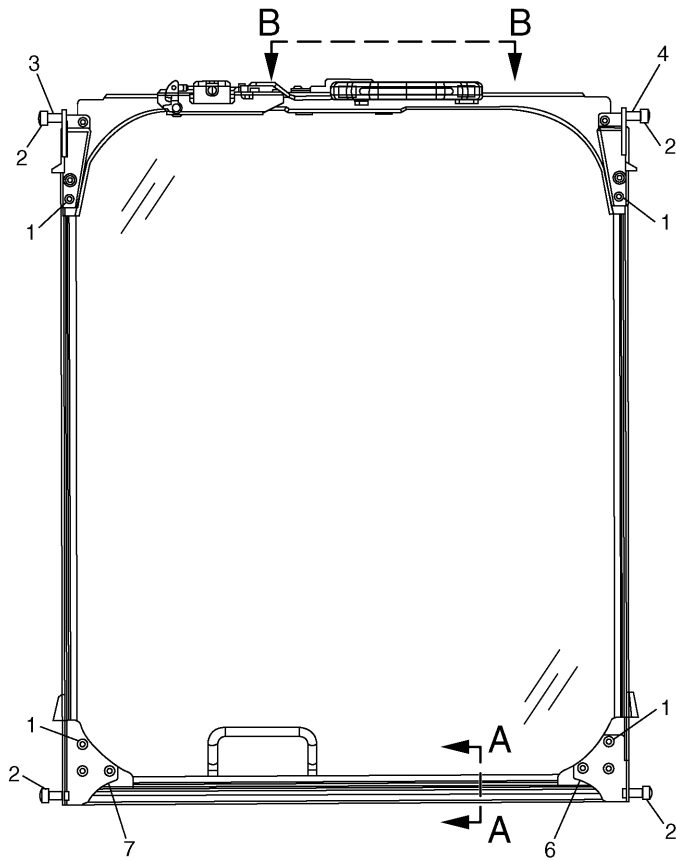
OPERATOR STATION



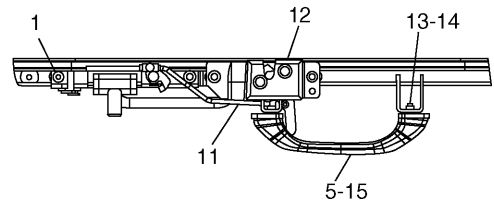
H93559E 06

139-7100 DOOR GP-CAB
 Part of 189-2768-Page615
 151-6792-Page618
 An Attachment

OPERATOR STATION



A - A



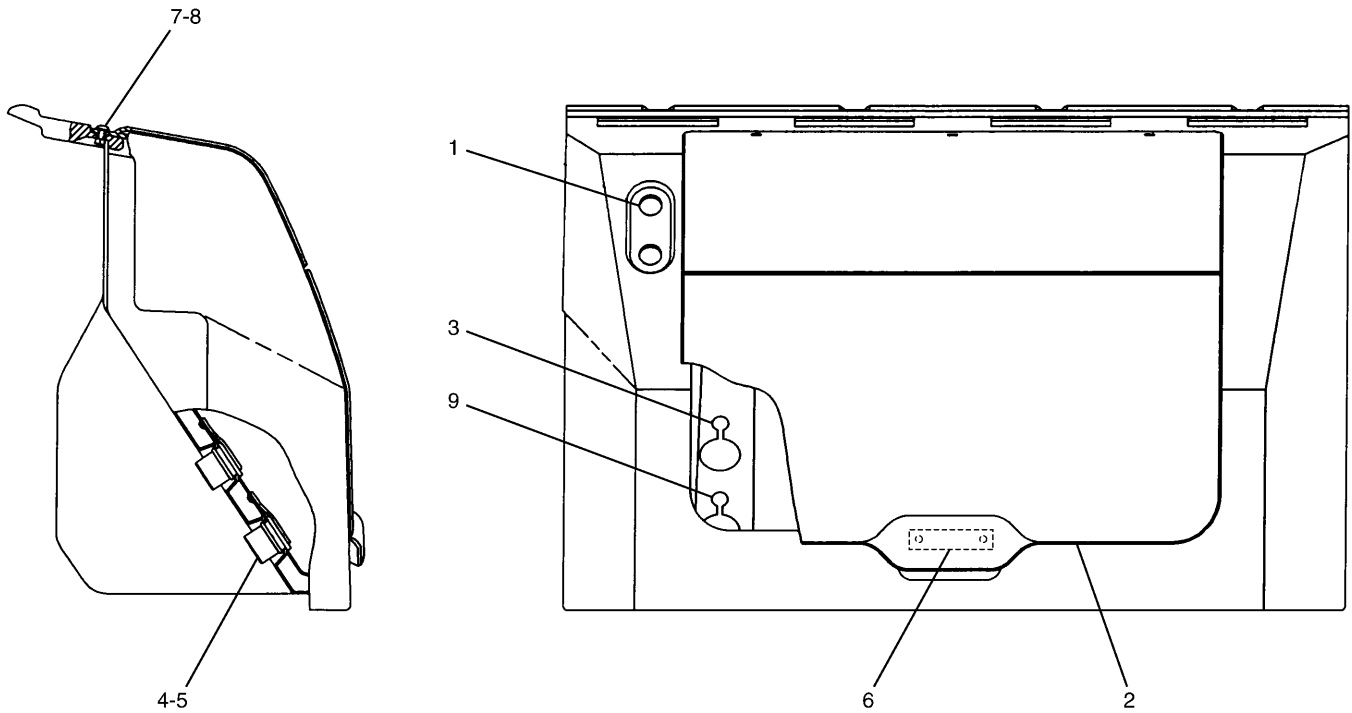
B - B

NOTE	No.	PART No.	QTY	PART NAME	NOTE	No.	PART No.	QTY	PART NAME
	1	9X-2042	15	SCREW					
	2	151-9576	4	ROLLER					
	3	273-5346	1	LINK AS					
	4	273-5345	1	LINK AS					
	5	151-6704	2	CAP					
	6	151-6813	1	BRACKET AS					
	7	151-6815	1	BRACKET AS					
	8	161-3698	1	SEAL					
	9	170-9722	1	CUSHION					
	10	156-6472	1	GLASS					
	11	151-6832	1	LEVER AS					
	12	151-6831	1	LOCK AS					
	13	095-0827	2	LOCKWASHER					
	14	8T-6412	2	SCREW					
	15	151-6703	1	HANDLE					

H91610E 02

171-7503 WINDOW GP
An Attachment

OPERATOR STATION

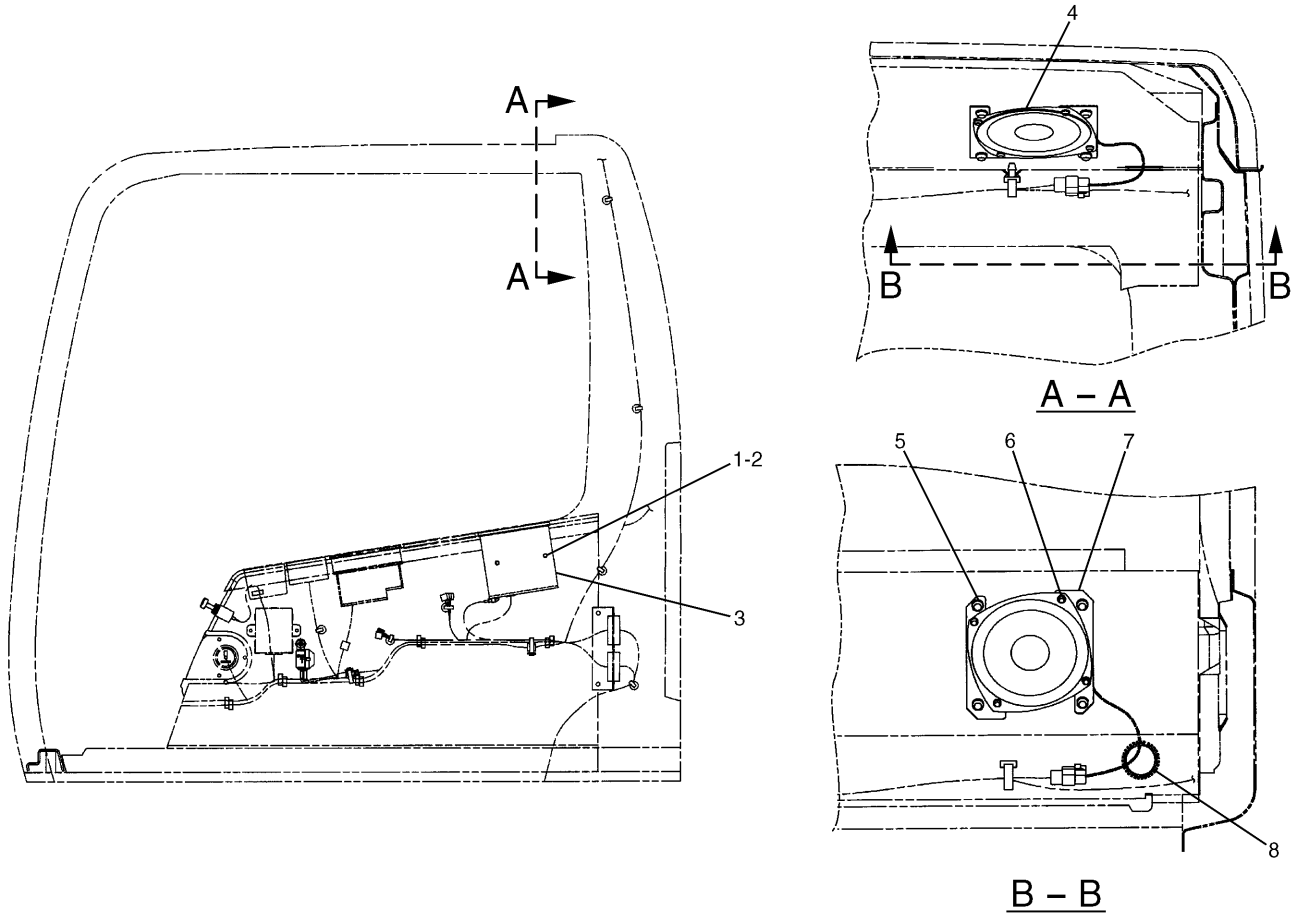


NOTE	No.	PART No.	QTY	PART NAME	NOTE	No.	PART No.	QTY	PART NAME
	1	176-2002	2	CAP					
	2	171-7339	1	COVER					
	3	196-1668	1	CAP					
	4	095-1531	2	SEAL-O-RING (ID=29.70mm)					
	5	189-3463	2	PIPE					
	6	196-1687	1	PLATE KIT					
	7	9X-2044	3	SCREW					
	8	100-7689	3	NUT AS					
	9	196-1669	1	CAP					

H74633E 01

196-1422 COVER GP
Part of 196-1421-Page635
An Attachment

OPERATOR STATION



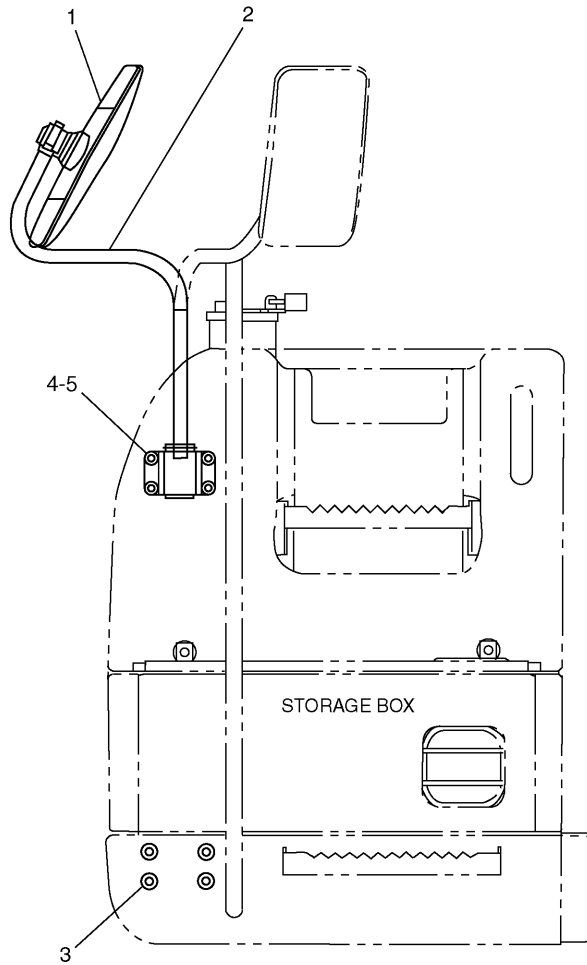
NOTE	No.	PART No.	QTY	PART NAME	NOTE	No.	PART No.	QTY	PART NAME
E	1	095-0736	2	SCREW					
	2	8T-0328	2	WASHER					
	3	163-6709	1	RADIO (AM/FM)					
	4	7Y-5505	2	SPEAKER AS					
		7Y-3951	2	TERMINAL					
	5	099-7127	8	SCREW					
	6	8C-7581	8	SCREW					
	7	116-0210	4	BRACKET AS					
8	101-2846		GUARD... (9cm x 2)						

E—ORDER BY THE CENTIMETER

H85088E 03

163-6636 RADIO GP-AM/FM
An Attachment

OPERATOR STATION

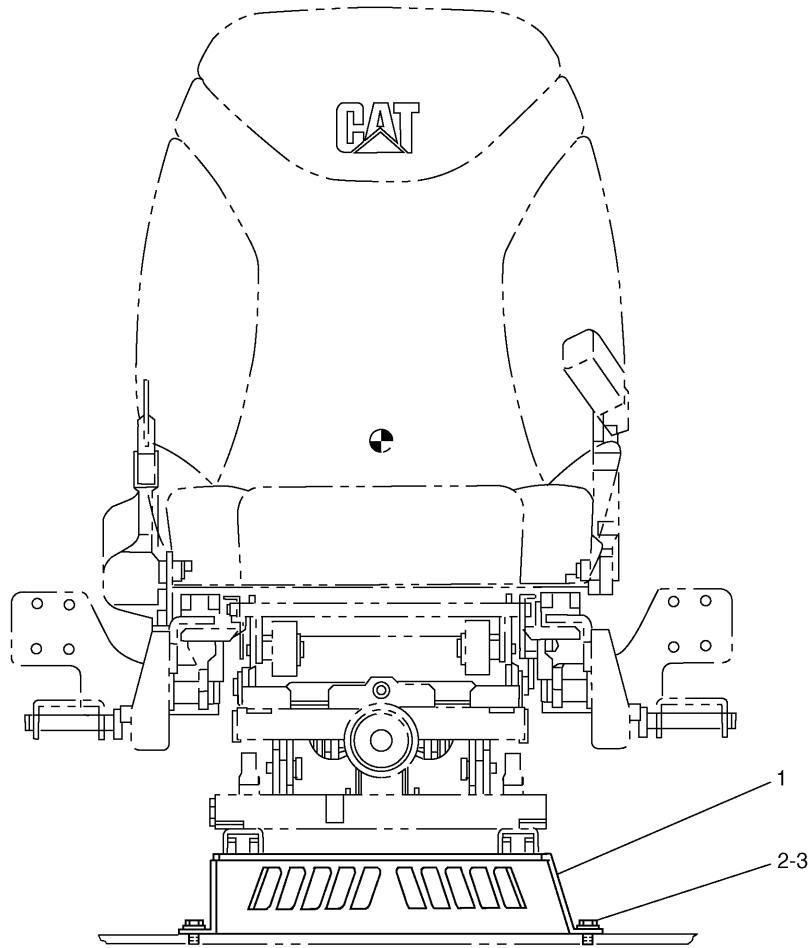


NOTE	No.	PART No.	QTY	PART NAME	NOTE	No.	PART No.	QTY	PART NAME
	1	137-2270	1	MIRROR					
	2	165-3065	1	BAR AS					
	3	177-6315	4	PLUG					
	4	8T-4192	4	BOLT (L=25mm)					
	5	2M-0849	4	WASHER					

H70124E 07

142-3836 MIRROR GP-REAR VIEW

OPERATOR STATION

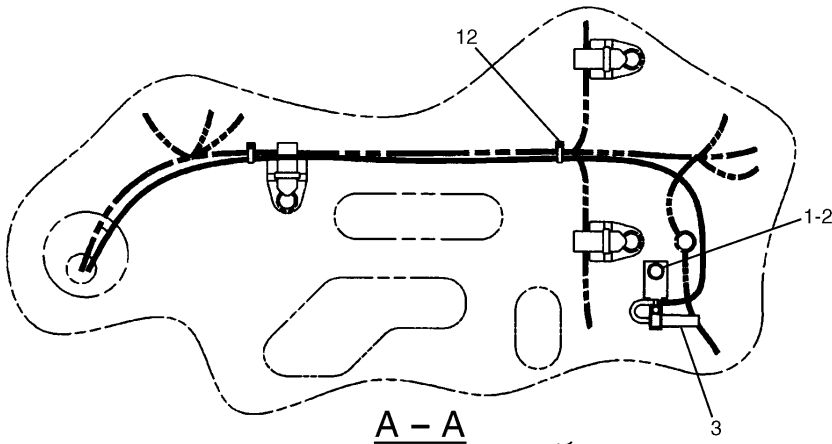
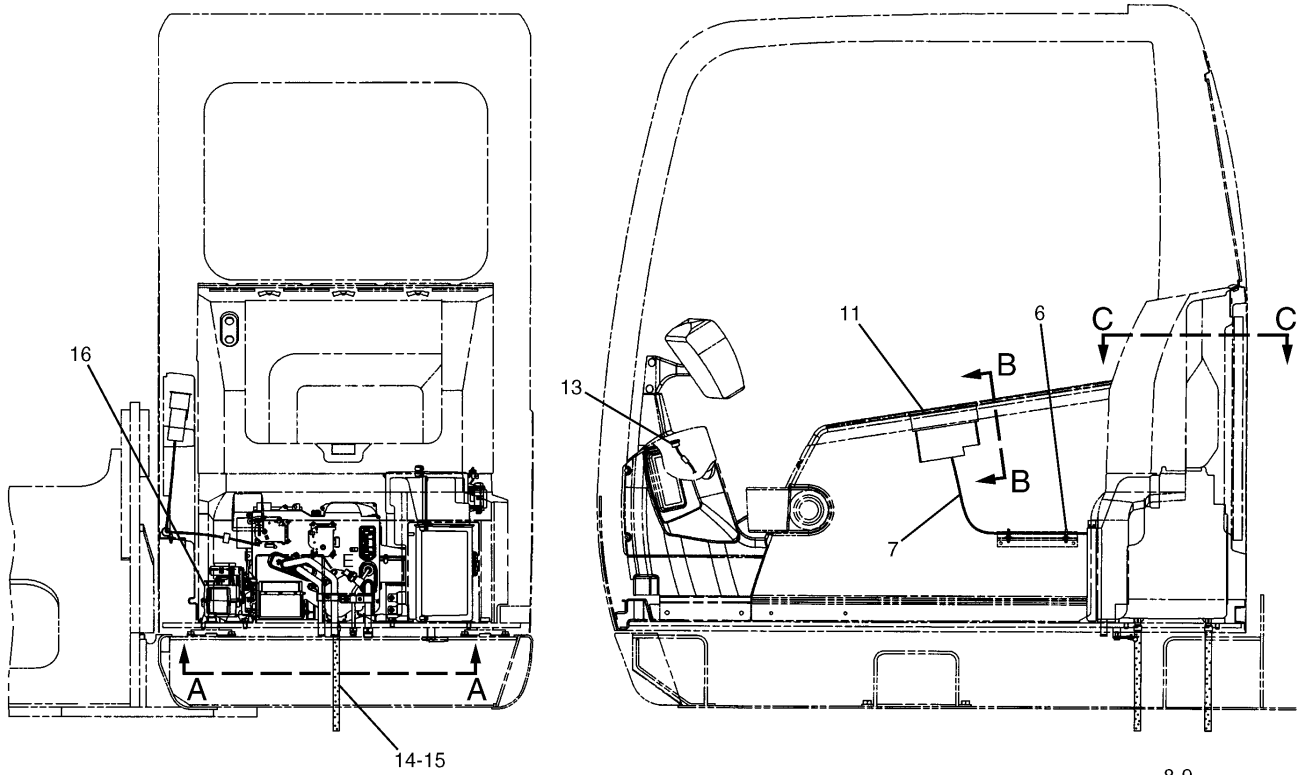


NOTE	No.	PART No.	QTY	PART NAME	NOTE	No.	PART No.	QTY	PART NAME
	1	210-5799	1	SUPPORT AS					
	2	8T-4121	4	WASHER					
	3	8T-4191	4	BOLT (L=16mm)					

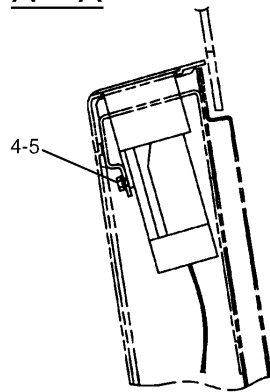
H76857E 00

210-5798 SUPPORT GP-SEAT
 S/N BKH 00329-Up, BKT 00312-Up, BLA 00213-Up, BLX 00308-Up

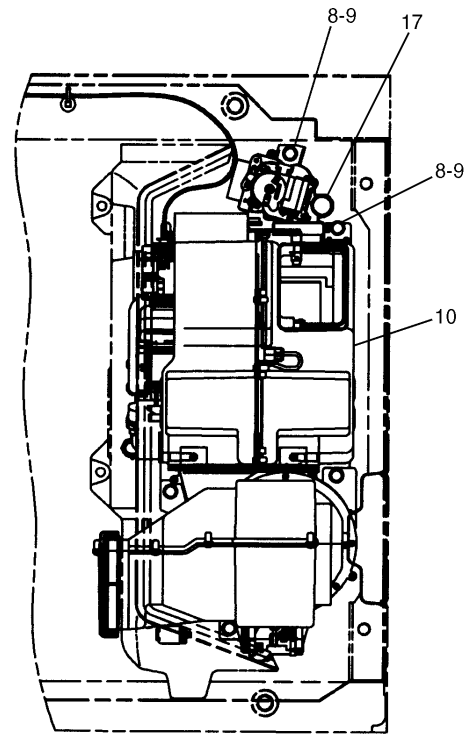
OPERATOR STATION



A - A



B - B



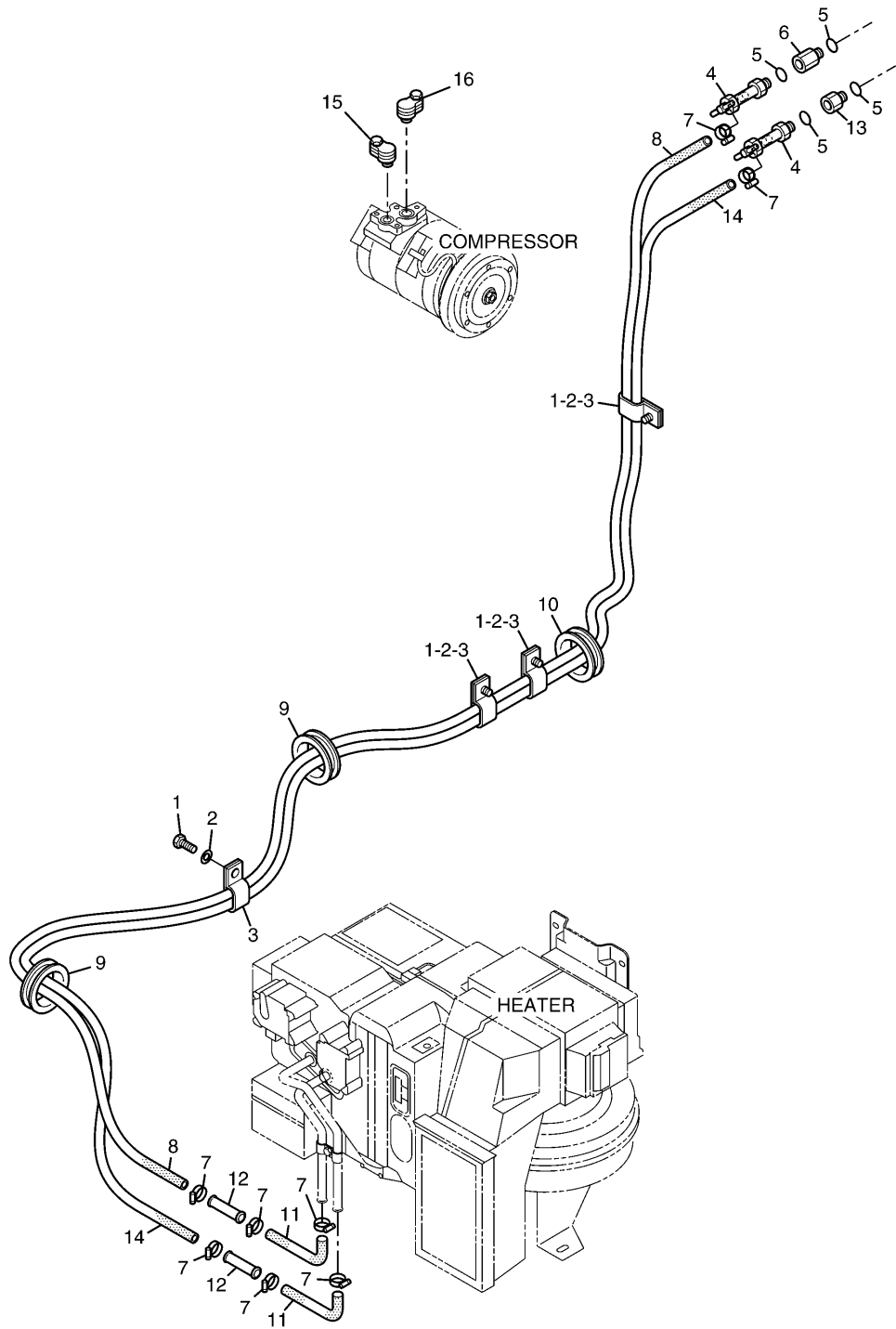
C - C

H74606E 04

161-3777 AIR CONDITIONER & MOUNTING GP
 Part of 161-3773-Page675
 161-3779-Page678

MEMORANDA

OPERATOR STATION



H80873E 01

178-5600 LINES GP-HEATER
Part of 178-5599-Page691
An Attachment

IMPLEMENTS

Consists of :

			Page
1	184-5545	STICK GP-HOE	720
1	196-0542	LINES GP-STICK.....	379

H74646E 00

176-2785 STICK AR-HOE
An Attachment

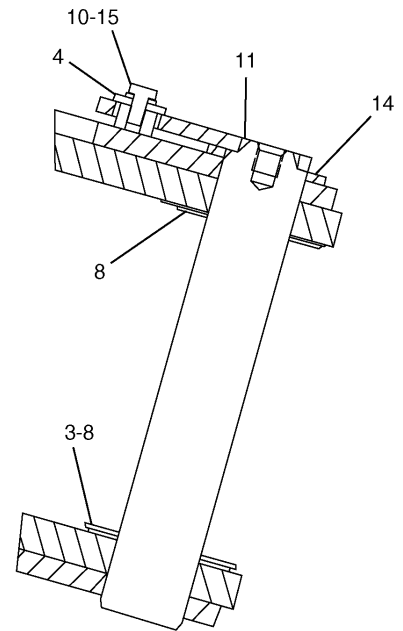
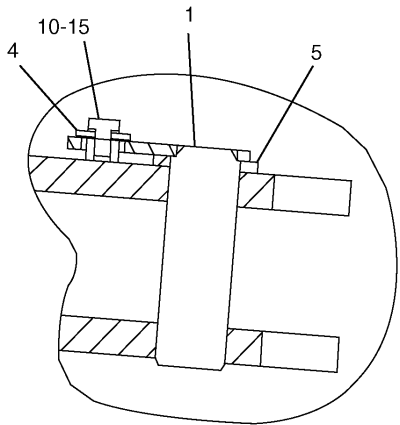
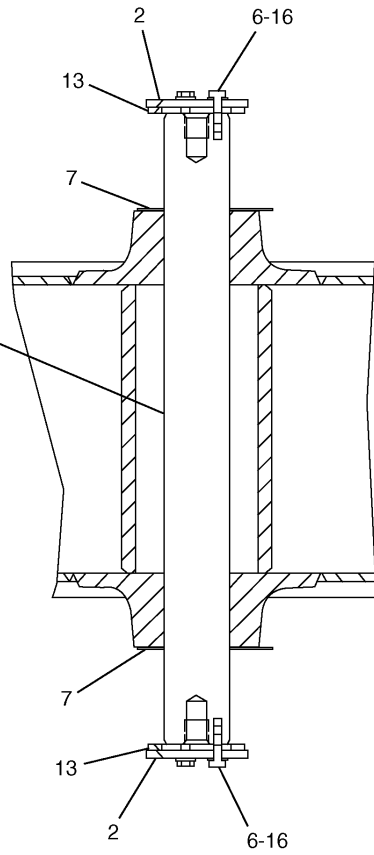
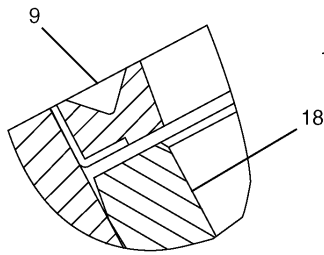
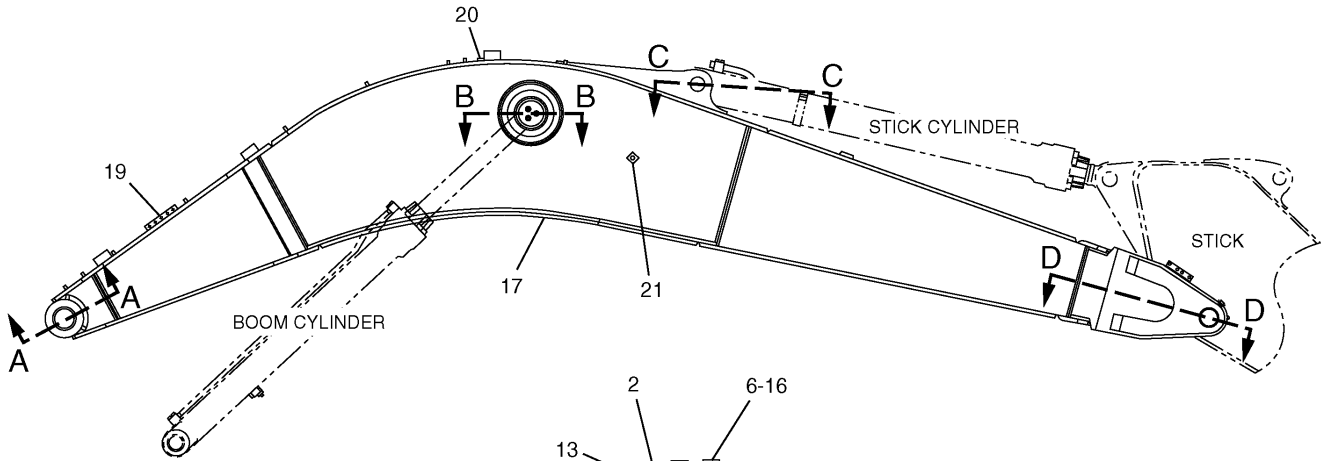
Consists of :

			Page
1	193-6624	STICK GP.....	721
1	196-0542	LINES GP-STICK.....	379

H80276E 00

202-7032 STICK AR
An Attachment

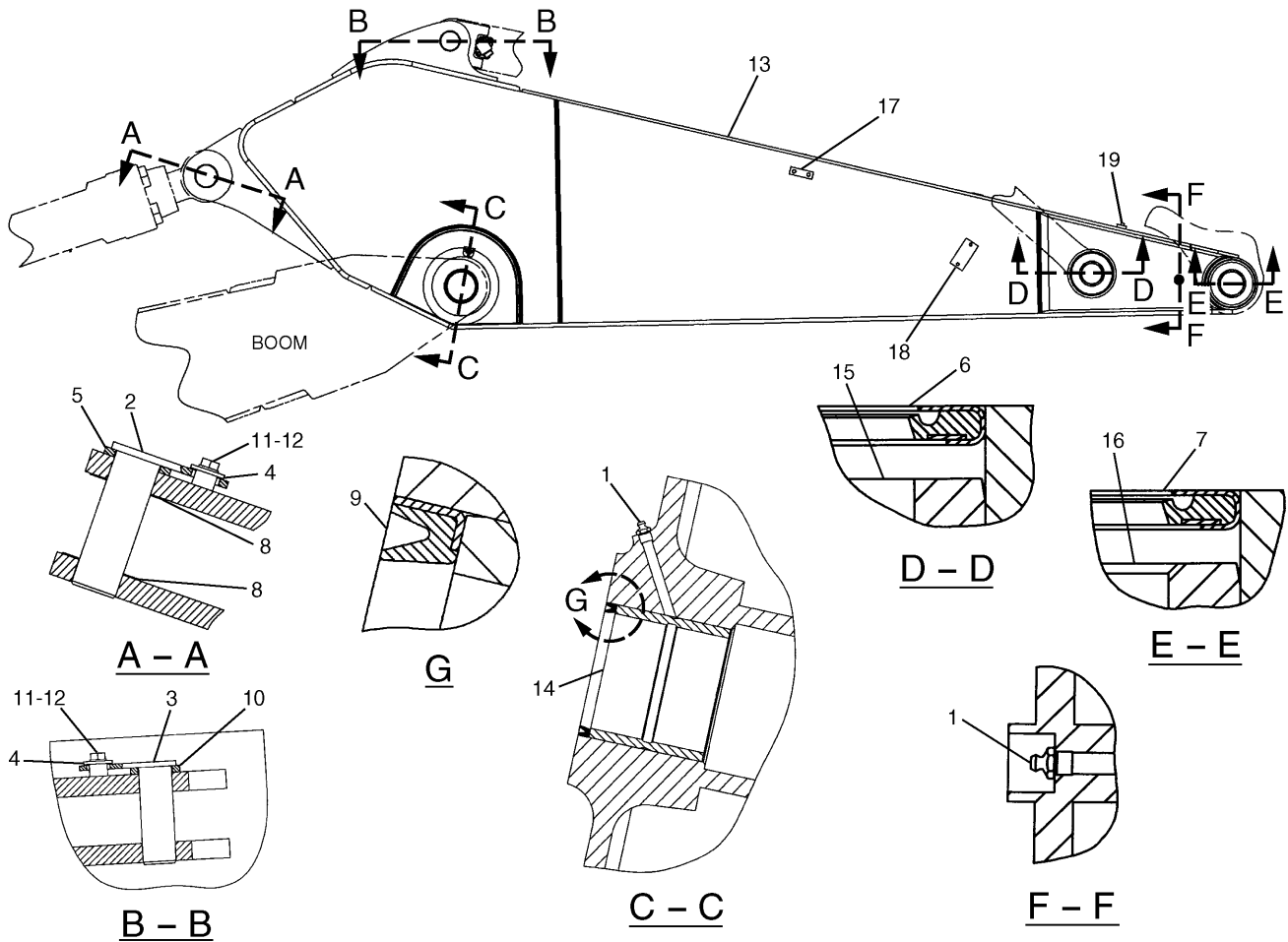
IMPLEMENTS



H86990E 01

195-5383 BOOM GP
Part of 193-6823-Page702
An Attachment

IMPLEMENTS

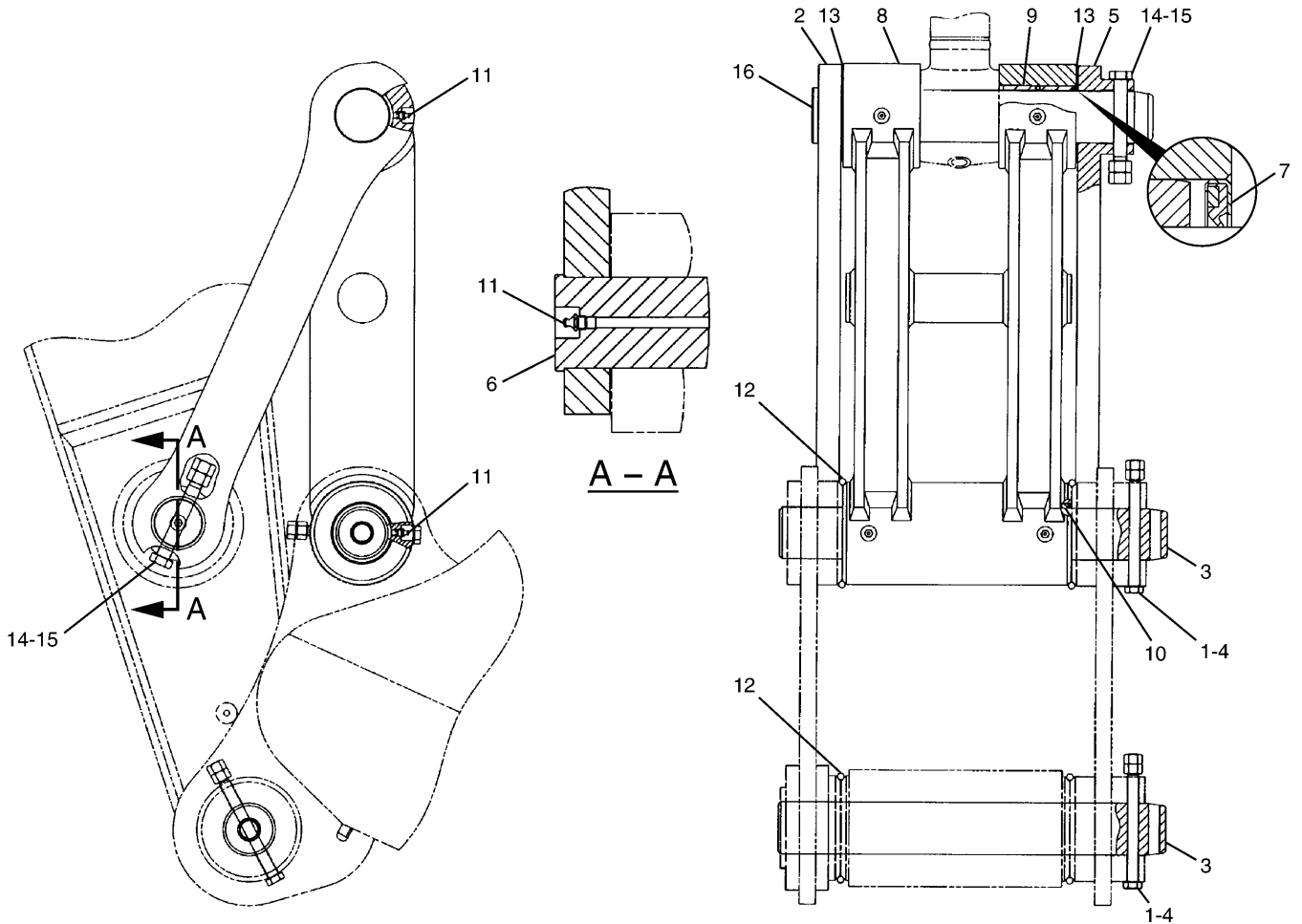


NOTE	No.	PART No.	QTY	PART NAME	NOTE	No.	PART No.	QTY	PART NAME
	1	3B-8489	3	FITTING					
	2	41-4618	1	PIN AS					
	3	41-4620	1	PIN AS					
	4	093-0349	2	WASHER					
	5	093-0363	1	SPACER					
	6	093-1434	2	SEAL					
	7	096-0854	2	SEAL					
	8	166-1486	2	SHIM (T=2.00mm)					
	9	166-1496	2	SEAL					
	10	118-5982	1	SPACER					
	11	8T-4780	2	BOLT (L=30mm)					
	12	8T-4123	2	WASHER					
	13	197-2344	1	STICK AS					
	14	186-5465	2	BEARING					
	15	163-3749	2	BEARING					
	16	186-5588	2	BEARING					
	17	188-0046	2	PLATE					
	18	121-1760	2	PLATE					
	19	210-9873	1	PLATE					

H84167E 00

193-6629 STICK GP
Part of 202-7033-Page706.01
An Attachment

IMPLEMENTS

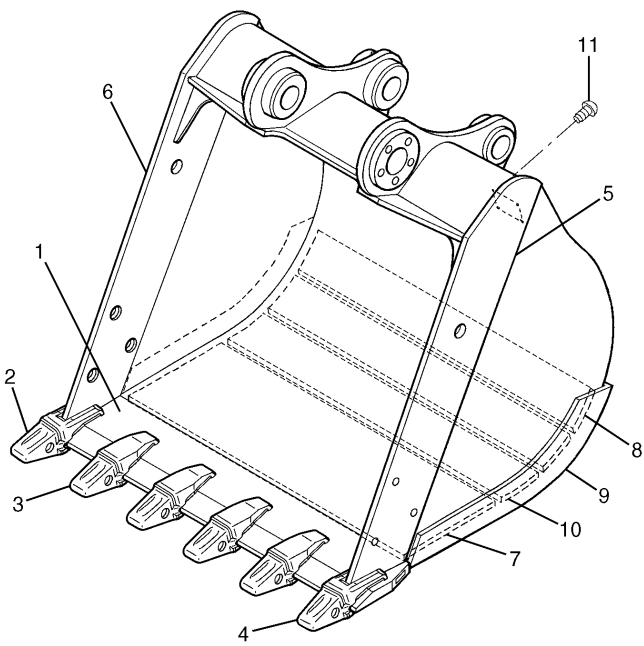


NOTE	No.	PART No.	QTY	PART NAME	NOTE	No.	PART No.	QTY	PART NAME
	1	188-2315	2	BOLT (L=195mm)					
	2	7Y-2392	1	LINK					
	3	7Y-2357	2	PIN					
	4	8T-4132	4	NUT					
	5	186-5650	1	LINK AS					
	6	186-5662	1	PIN					
	7	096-0854	6	SEAL					
	8	186-5653	1	LINK AS					
	9	137-2820	2	BEARING					
	10	143-3841	2	BEARING					
	11	3B-8489	5	FITTING					
	12	093-1344	4	SEAL-O-RING (ID=140.00mm)					
	13	166-1486	2	SHIM (T=2.00mm)					
	14	186-5649	2	BOLT (L=160mm)					
	15	8T-4131	4	NUT					
	16	186-5652	1	PIN					

H73547E 04

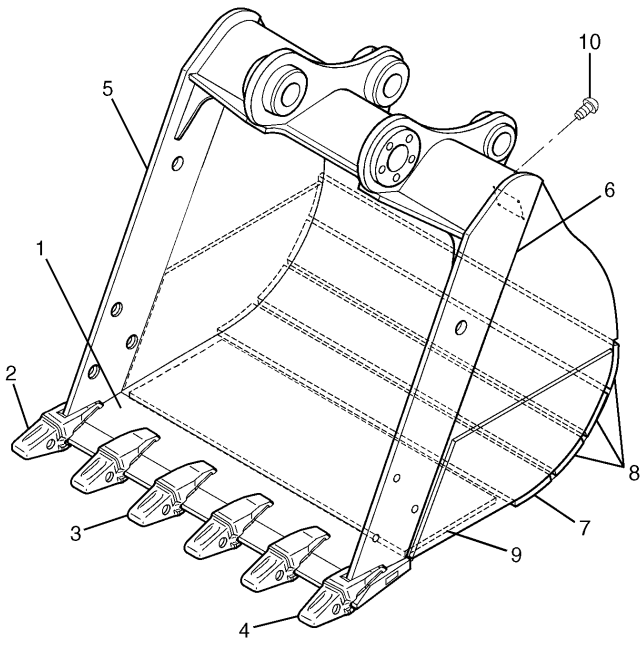
166-1442 LINKAGE GP-BUCKET
Part of 163-7741-Page709
An Attachment

IMPLEMENTS

	NOTE	No.	PART No.	QTY	PART NAME
		1	61-5204	1	EDGE AS
		2	61-6356	1	ADAPTER
		3	61-6354	4	ADAPTER
		4	61-6355	1	ADAPTER
		5	61-5202	1	PLATE
		6	61-5203	1	PLATE
		7	128-9190	1	PLATE
		8	7Y-7600	2	PLATE
		9	7Y-7410	2	PLATE
		10	7Y-7599	1	PLATE
	B		11	4B-4158	4
B—USE AS REQUIRED					
					H74103E 09

7Y-7592 BUCKET AS-MASS EXCAVATION

C Family
 1440MM Wide—1.3Cu.M.—Adapter Size J350
 Part of 61-5014—Page741
 An Attachment

	NOTE	No.	PART No.	QTY	PART NAME
		1	127-6832	1	EDGE AS
		2	61-6406	1	ADAPTER
		3	61-6404	4	ADAPTER
		4	61-6405	1	ADAPTER
		5	61-5203	1	PLATE
		6	127-6807	1	PLATE
		7	209-8010	1	PLATE
		8	209-8011	3	PLATE
		9	209-8009	1	PLATE
	B		10	4B-4158	4
B—USE AS REQUIRED					
					H80926E 06

127-6802 BUCKET AS-MASS EXCAVATION

C Family
 1450MM Wide—1.3Cu.M.—Adapter Size J400
 Part of 127-6887—Page741
 An Attachment

MEMORANDA

SERVICE EQUIPMENT AND SUPPLIES

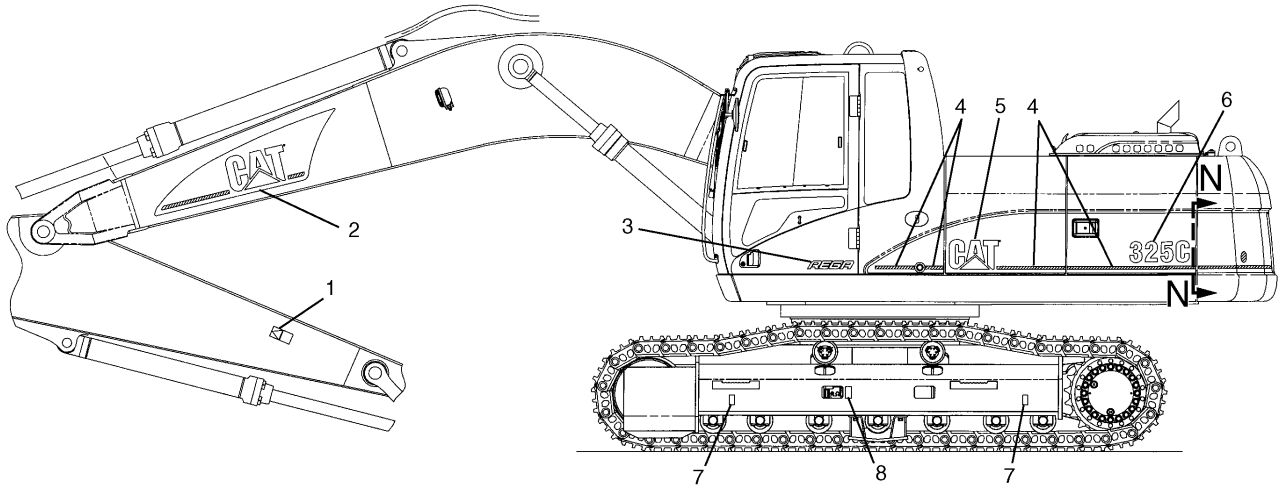
NOTE	No.	PART No.	QTY	PART NAME	NOTE	No.	PART No.	QTY	PART NAME
	1	160-6853	2	FILM (DANGER)					
	2	127-5283	1	FILM (CAT)					
	3	186-1147	2	FILM (REGA)					
E	4	134-6146		FILM (STRIPE)···(700cm)					
	5	105-7545	2	FILM (CAT)					
	6	186-1161	2	FILM (325C)					
	7	1P-2807	4	FILM (LIFT)					
	8	160-6832	2	FILM (WARNING)					
	9	127-5282	1	FILM (CAT)					
Z	10		1	PLATE (PIN)					
	11	4B-4158	4	SCREW					
	12	120-5107	1	FILM (INSTRUCTION)					
	13	160-6841	1	FILM (WARNING)					
	14	160-6822	1	FILM (WARNING)					
	15	144-9126	1	FILM (INSTRUCTION)					
	16	7X-7644	2	FILM (TIE DOWN)					
	17	190-5386	2	FILM (SAFETY)					
	18	160-6871	1	FILM (DANGER)					
	19	150-8108	1	FILM (CAT)					
	20	167-7272	1	FILM (CAT)					

E—ORDER BY THE CENTIMETER
Z—NOT SERVICED

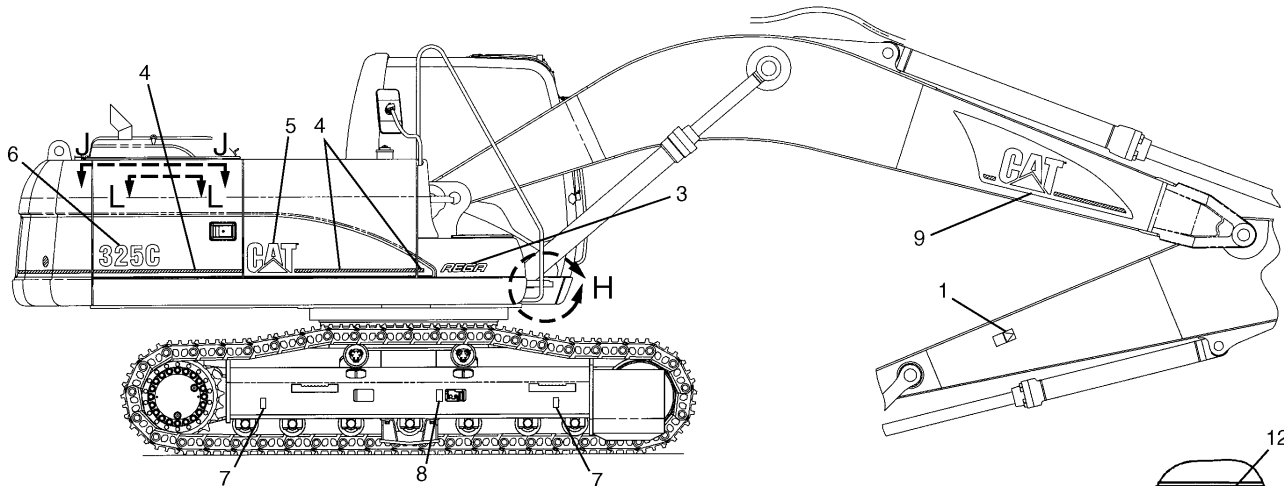
H80286E 05

176-2765 PLATE & FILM GP (2/3)
S/N BKH 1-00327, BLA 1-00212

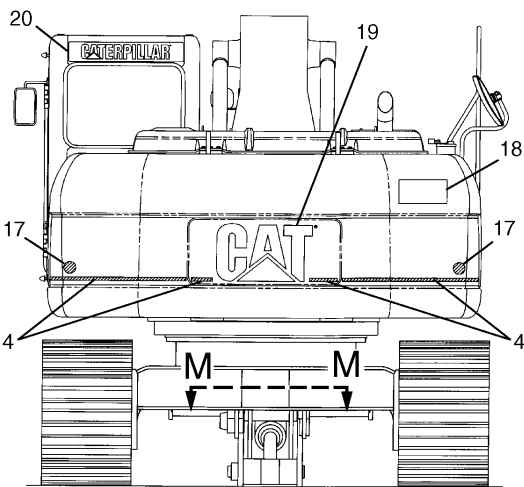
SERVICE EQUIPMENT AND SUPPLIES



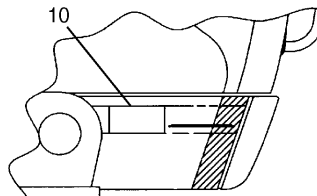
LEFT SIDE VIEW



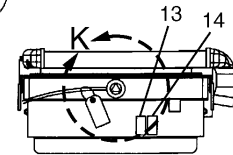
RIGHT SIDE VIEW



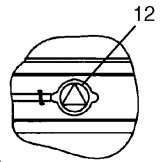
REAR VIEW



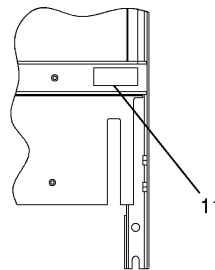
H



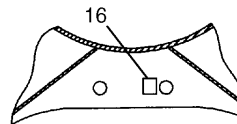
J - J



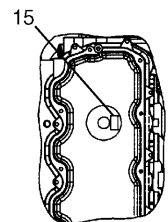
K



N - N



M - M



L - L

H89240E 16

176-2765 PLATE & FILM GP (2/3)
S/N BKH 00350-00363, BLA 00214-00214

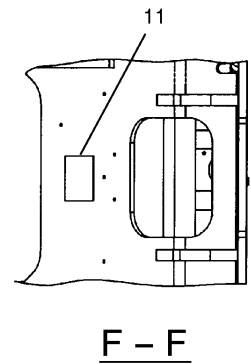
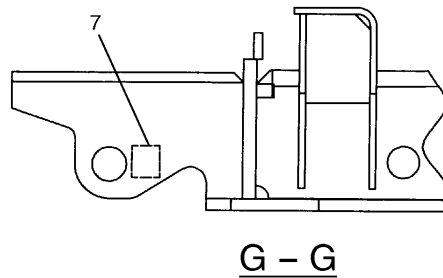
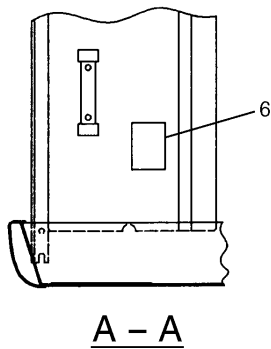
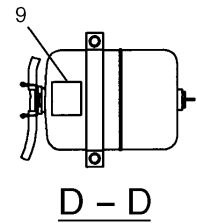
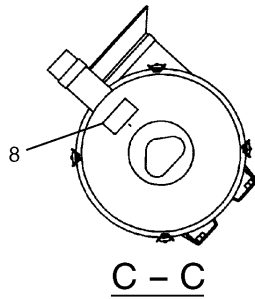
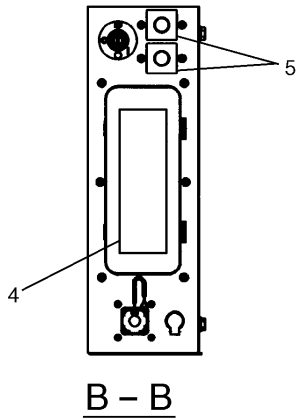
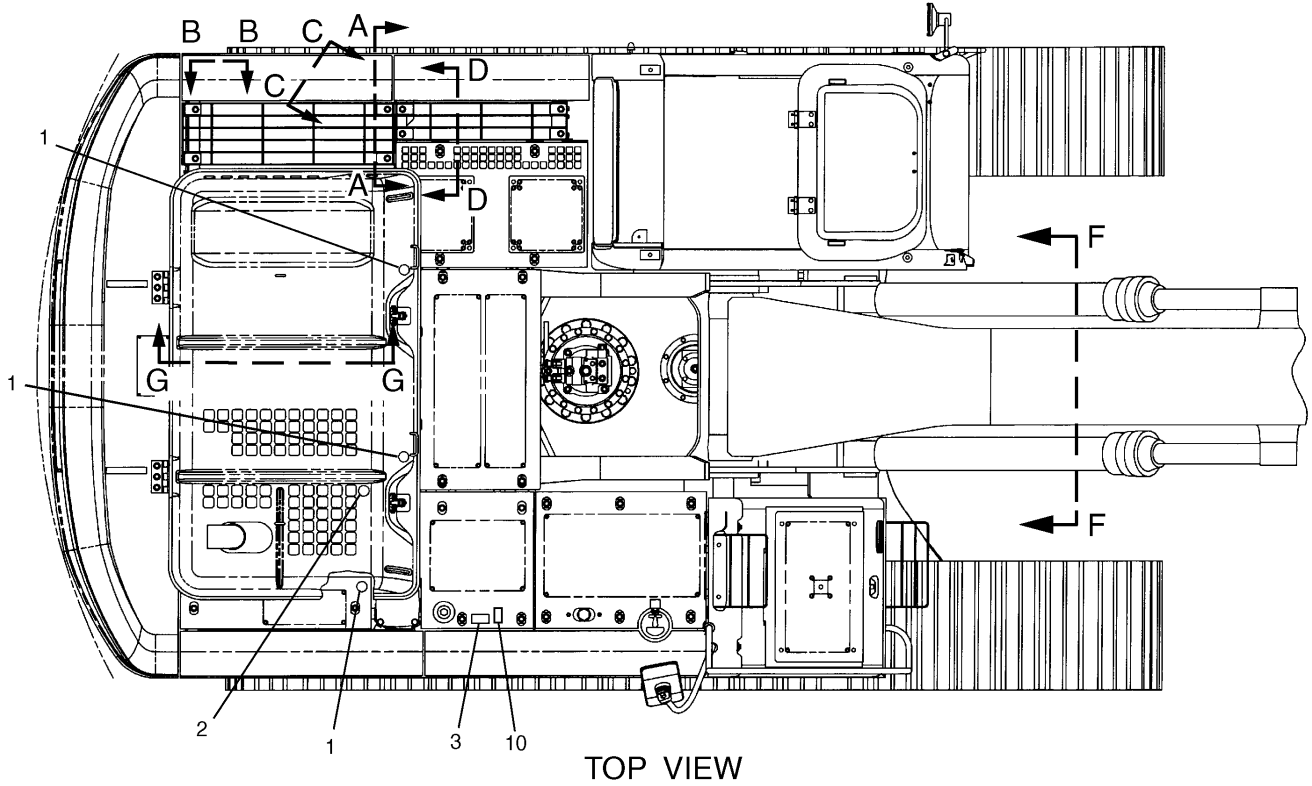
SERVICE EQUIPMENT AND SUPPLIES

NOTE	No.	PART No.	QTY	PART NAME	NOTE	No.	PART No.	QTY	PART NAME
	1	120-5107	3	FILM (INSTRUCTION)					
	2	167-7270	1	FILM (NO STEP)					
	3	160-6822	1	FILM (WARNING)					
	4	193-6687	1	FILM (FUSE PANEL)					
	5	193-6867	1	FILM (CIRCUIT BREAKER)					
	6	3Y-8905	1	FILM (WARNING)					
	7	71-6508	1	FILM (NOTICE)					
	8	4P-6422	1	FILM (WARNING)					
	9	134-7258	1	FILM (ELC)					
	10	120-5063	1	FILM (WARNING)					
	11	193-6767	1	FILM (NOTICE)					
	12	7X-7644	2	FILM (TIE DOWN)					

H80290E 05

176-2766 PLATE & FILM GP (1/3)
S/N BKT 1-00309, BLX 1-00305

SERVICE EQUIPMENT AND SUPPLIES



H89249E 16

176-2766 PLATE & FILM GP (1/3)
S/N BKT 00341-00357, BLX 00308-00313

SERVICE EQUIPMENT AND SUPPLIES

NOTE	No.	PART No.	QTY	PART NAME	NOTE	No.	PART No.	QTY	PART NAME
	1	127-5272	1	FILM (WARNING)					
	2	127-5295	1	FILM (WARNING)					
	3	244-5747	1	FILM (WARNING)					
	4	186-1214	1	FILM (NOTICE)					
	5	209-2864	1	FILM (LUBRICANT CHART)					
	6	186-1169	1	FILM (REGISTRATION)					
	7	176-2712	1	FILM (INSTRUCTION)					
	8	176-2753	1	FILM (THROTTLE CONTROL)					
	9	219-3149	1	FILM (NOTICE)					
	10	186-1149	1	FILM (WARNING)					
	11	214-7915	1	FILM (ENGINE SHUT OFF)					
	12	41-2885	1	CASE					
	13	71-1533	1	PLATE (INSTRUCTION)					
	14	187-0661	1	FILM (ALTERNATE EXIT)					
	15	61-6075	1	FILM (EMERGENCY EXIT)					
	16	8T-6842	1	FILM (ALTERNATE EXIT)					
	17	283-8827	1	FILM (WARNING)					

H97723E 19

176-2766 PLATE & FILM GP (3/3)
S/N BKT 00358-Up, BLX 00314-Up

PART NUMBER INDEX

Part.No	Page	Part.No	Page	Part.No	Page
2L-8077	151.04	2P-8253	762		368.01
2L-8079	136.09		763		369
	137	2R-1498	115.04		369.01
2M-0849	323	2R-6806	113	3B-4510	613
	325.02	2S-2596	537	3B-4618	251
	325.06		537.04	3B-8489	281
	327	2S-4078	123		281.02
	329.02		123.02		283
	329.06		433		283.02
	329.10		471		286
	473		473.02		286.01
	473.04		475		287
	477		479		359
	481.04		481.02		361
	658		576		361.02
2M-4453	88	2S-5926	302		363
2M-6471	19	2W-0027	31		364
2M-9780	19	2W-6225	43		716
	35	2W-6544	25		717
	37	2W-6546	23		718
	41	2W-7211	19		719
	63	2W-7213	19		720
	65	2W-7381	32		721
	87	2W-7566	52		722
	89	2W-8077	69		723
	115	2W-8078	69		724
	435	2W-8079	69		725
	443	2W-8085	69		726
	445	2W-8147	26		727
	499	2W-8476	52		728
	501	2W-9128	31		729
	501.02	2Y-5685	620		730
	527	2Y-5687	663		731
	529.02		664		732
	531	2Y-5829	45		733
	533.02				734
	533.06				735
	533.10			3C-6969	181
	553				181.02
2P-1294	57	3B-0551	123	3D-2824	21
2P-2537	65		123.02		65
2P-2975	543	3B-4501	236		89
2P-8250	762		237		325
	763	3B-4509	368		325.04

CLICK HERE TO **DOWNLOAD** THE COMPLETE MANUAL

- Thank you very much for reading the preview of the manual.
- You can download the complete manual from: www.heydownloads.com by clicking the link below



- Please note: If there is no response to CLICKING the link, please download this PDF first and then click on it.

CLICK HERE TO **DOWNLOAD** THE COMPLETE MANUAL