
320C U 320C LU

Track-Type Excavators

Powered by 3066 Engine

SERIAL NUMBER

FBB1 To Last Built(Vehicle)

GAB1 To Last Built(Vehicle)

7JK52516 To Last Installed(Engine)

CLICK HERE TO **DOWNLOAD** THE COMPLETE MANUAL

- Thank you very much for reading the preview of the manual.
- You can download the complete manual from: www.heydownloads.com by clicking the link below



- Please note: If there is no response to CLICKING the link, please download this PDF first and then click on it.

CLICK HERE TO **DOWNLOAD** THE COMPLETE MANUAL

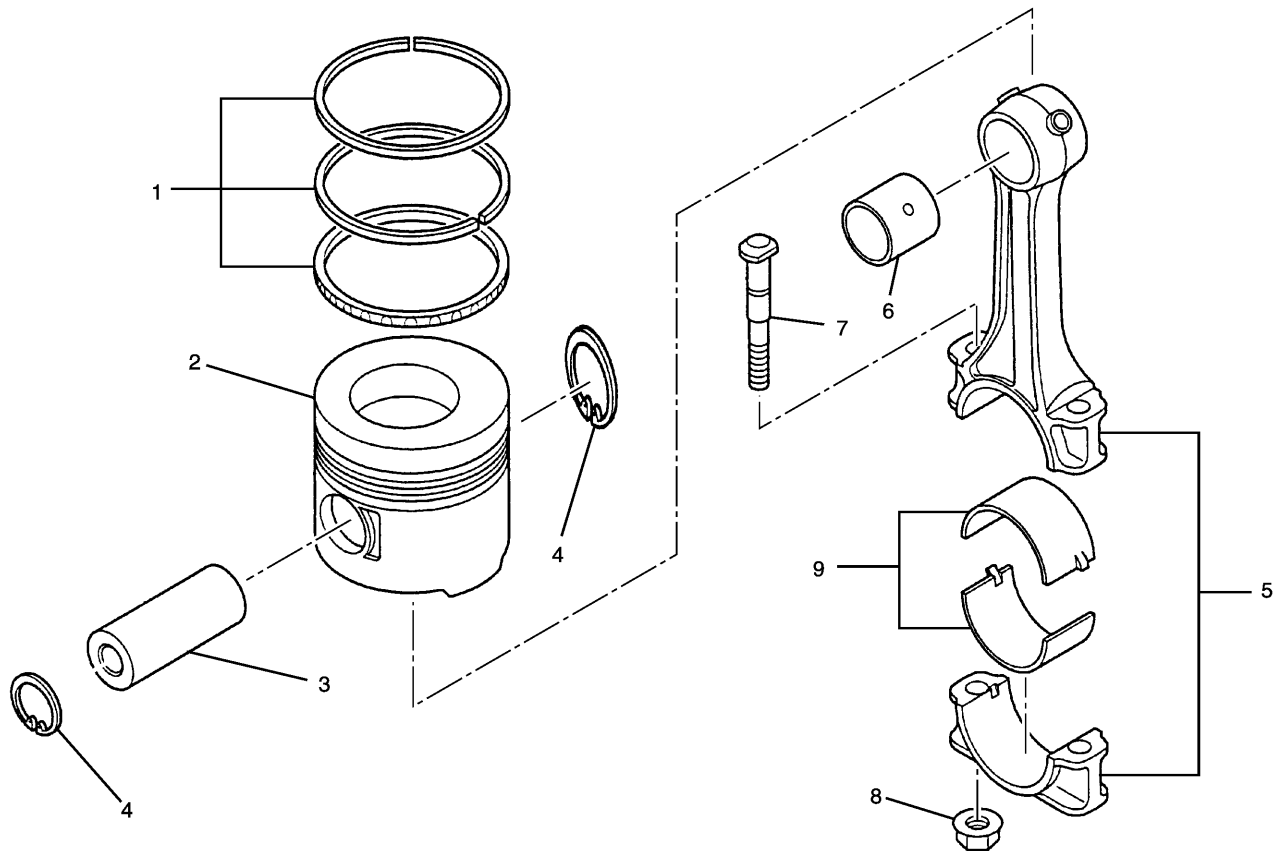
ENGINE ARRANGEMENT

Consists of :

			Page
COOLING SYSTEM			
1	212-8555	PUMP GP-WATER.....	45
1	212-8557	LINES GP-WATER.....	46
1	178-6584	COOLER GP-ENGINE OIL.....	44
1	255-2877	FAN GP-SUCTION.....	47.01
AIR INLET AND EXHAUST SYSTEM			
1	212-8551	MANIFOLD GP-INLET.....	55
1	212-8552	MANIFOLD GP-EXHAUST.....	56
1	233-1159	TURBOCHARGER GP.....	50.01
1	212-8615	MUFFLER GP.....	52
FUEL SYSTEM			
1	279-7861	PUMP GP-FUEL INJECTION.....	61.08
1	212-8560	FILTER GP-FUEL.....	58
1	212-8558	LINES GP-FUEL.....	60
6	233-1161	NOZZLE GP-UNIT INJECTOR.....	57.01
ELECTRICAL AND STARTING SYSTEM			
1	125-2963	MOUNTING GP-STARTING MOTOR.....	145
1	272-4774	STARTING MOTOR GP-ELECTRIC.....	147.03
1	212-8561	ALTERNATOR GP-CHARGING.....	150
THE FOLLOWING REPAIR KIT IS AVAILABLE:			
1	239-6685	CAP KIT	

HA0127E 00

BASIC ENGINE



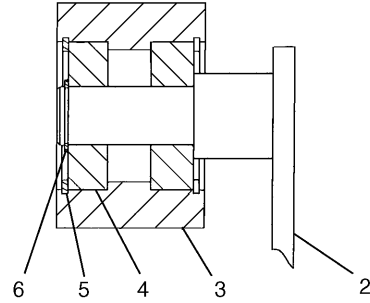
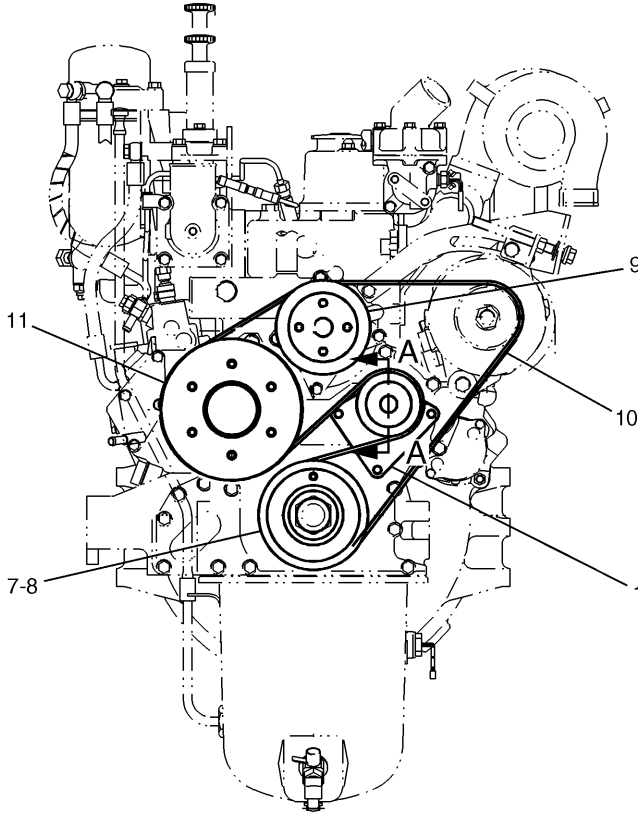
NOTE	No.	PART No.	QTY	PART NAME	NOTE	No.	PART No.	QTY	PART NAME
	1	178-6543	6	RING SET (STANDARD)					
A		178-6544	6	RING SET (OS=0.25mm)					
A		178-6545	6	RING SET (OS=0.50mm)					
	2	297-7751	6	PISTON					
A		297-7756	6	PISTON					
A		297-7757	6	PISTON					
	3	094-7134	6	PIN					
	4	51-7667	12	RING					
	5	51-7668	6	ROD AS					
	6	51-7539	1	BUSHING					
	7	094-7154	2	BOLT (L=85mm)					
	8	094-7516	2	NUT					
	9	51-7637	12	BEARING					
				(AVAILABLE IN SET WITH PAIR)					
A		51-7794	12	BEARING (US=0.25mm)					
A		51-7795	12	BEARING (US=0.50mm)					
A		51-7796	12	BEARING (US=0.75mm)					

A-NOT PART OF THIS GROUP

H97903E 01

233-1157 PISTON & ROD GP
 S/N FBB (T06.03)-Up, GAB (T06.03)-Up
 Part of 287-0094-Page13.03

BASIC ENGINE



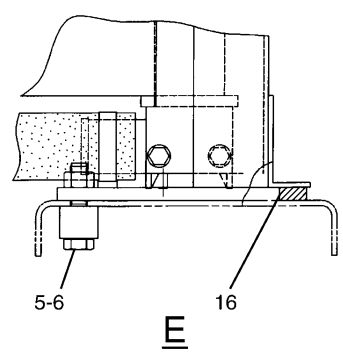
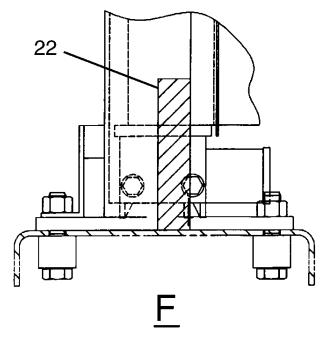
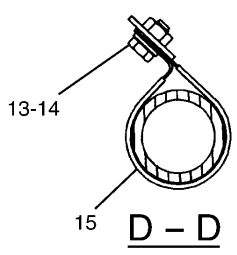
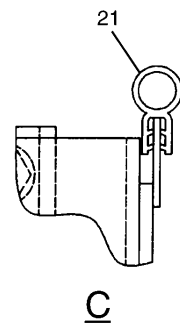
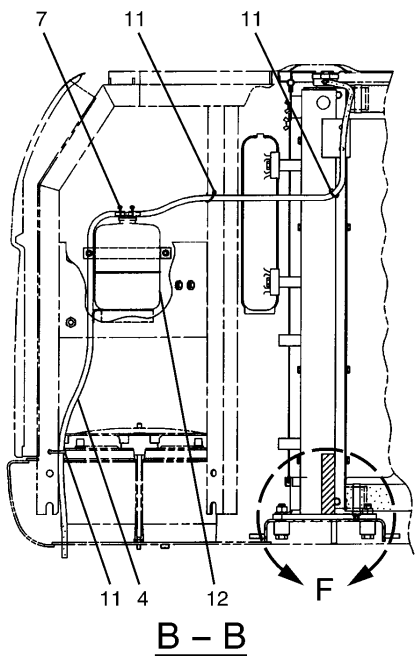
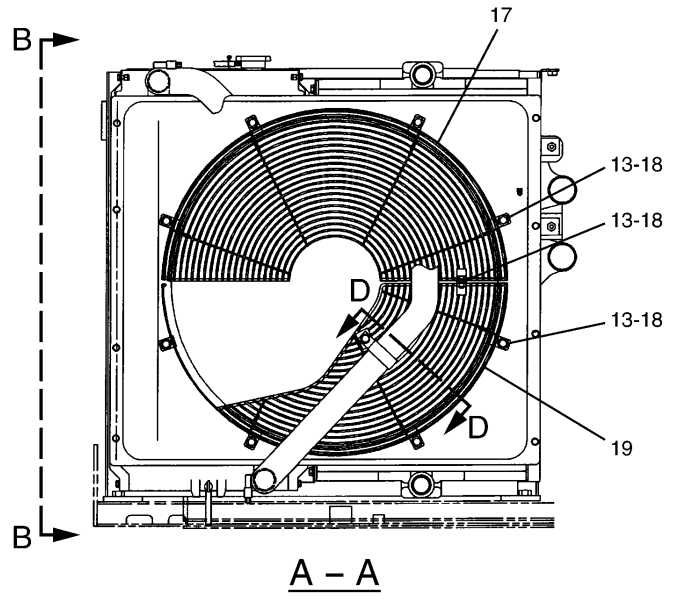
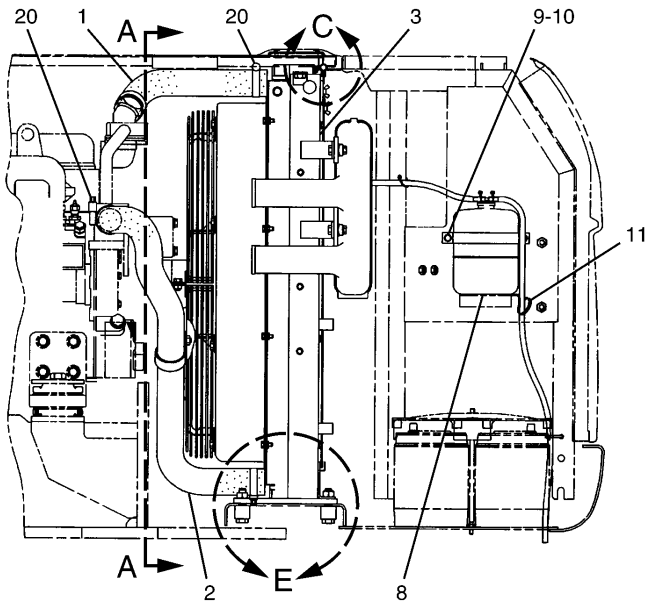
A - A

NOTE	No.	PART No.	QTY	PART NAME	NOTE	No.	PART No.	QTY	PART NAME
	1	183-8236	1	PULLEY AS					
	2	183-8237	1	BRACKET					
	3	183-8238	1	PULLEY					
	4	212-8586	2	BEARING					
	5	183-8240	1	RING					
	6	183-8241	2	RING					
	7	212-8575	1	PULLEY AS					
	8	51-7540	1	SLEEVE					
	9	212-8584	1	PULLEY					
	10	212-8585	1	BELT					
	11	255-2869	1	PULLEY					

H87877E 00

239-6664 PULLEY GP
 S/N FBB 01468-01915, GAB 00305-00369
 Part of 222-8190-Page11.02

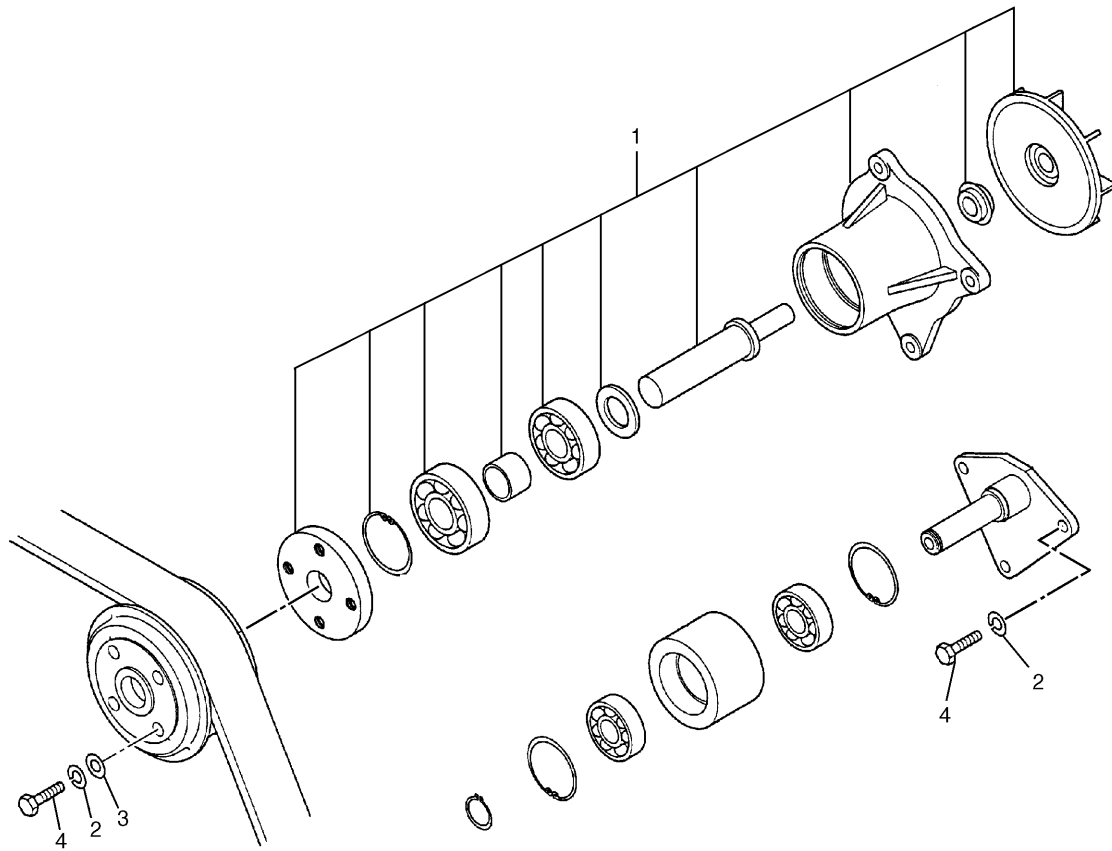
COOLING SYSTEM



H91427E 03

204-0876 RADIATOR & HYD OIL COOLER GP
 S/N FBB 01504-Up, GAB 00312-Up
 265-3564-Page41.01

COOLING SYSTEM



NOTE	No.	PART No.	QTY	PART NAME	NOTE	No.	PART No.	QTY	PART NAME
Y	1	178-6633	1	PUMP AS					
	2	7X-0796	7	LOCKWASHER					
	3	8T-4121	4	WASHER					
	4	8T-4136	7	BOLT (L=25mm)					

Y-SEE SEPARATE ILLUSTRATION

H82026E 02

212-8555 PUMP GP-WATER
 Part of 201-3879-Page13,287-0094-Page13.04
 178-6633-Page45.01

MEMORANDA

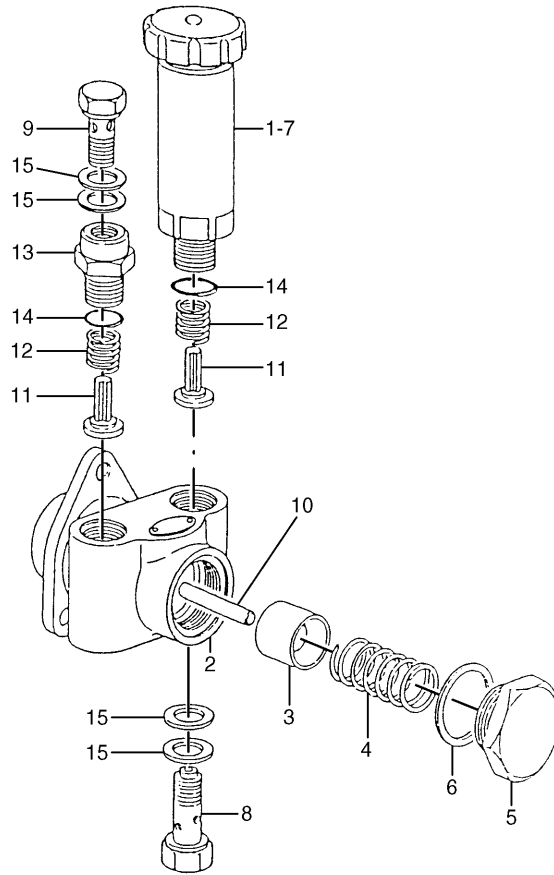
FUEL SYSTEM

NOTE	No.	PART No.	QTY	PART NAME	NOTE	No.	PART No.	QTY	PART NAME
	1	196-8219	1	FILTER AS					
	2	1R-0751	1	FILTER AS					
	3	094-9725	1	PLUG					
	4	095-2038	1	WASHER					
	5	094-9726	2	BOLT (L=26mm)					
	6	095-2040	4	WASHER					
	7	196-8220	1	BRACKET					
	8	190-5828	1	HOSE					
	9	190-5829	1	HOSE					
	10	094-9022	1	HOSE AS					
	11	099-5041	2	BOLT (L=27mm)					
	12	095-2040	4	WASHER					
	13	137-5541	1	PUMP AS					
	14	1P-0436	1	GASKET					
	15	8T-6466	2	BOLT (L=60mm)					
	16	178-6595	1	BOLT (L=30mm)					
	17	8T-7547	1	BOLT (L=30mm)					
	18	8T-4182	2	BOLT (L=45mm)					
	19	096-2500	1	WASHER					
	20	095-8638	1	WASHER					
	21	7X-0796	8	LOCKWASHER					
	22	212-8610	1	BRACKET					
	23	212-8612	1	BRACKET					
	24	8T-4196	4	BOLT (L=35mm)					
	25	190-5830	1	TUBE					
	26	183-8224	2	TUBE					

H82520E 02

212-8560 FILTER GP-FUEL
Part of 201-3879-Page13,287-0094-Page13.04

FUEL SYSTEM



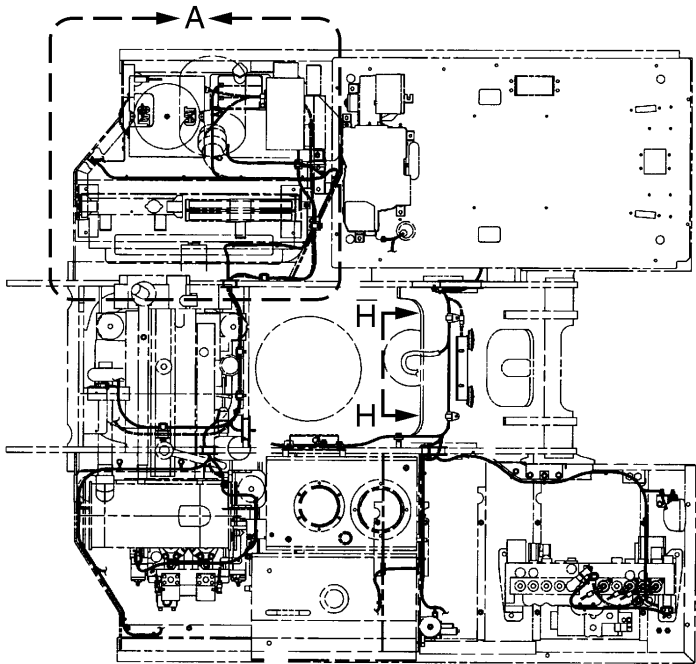
NOTE	No.	PART No.	QTY	PART NAME	NOTE	No.	PART No.	QTY	PART NAME
	1	255-2969	1	PUMP AS (D.K.C)					
	2	125-2940	1	HOUSING					
	3	125-2942	1	PISTON					
	4	096-8336	1	SPRING					
	5	51-5159	1	PLUG					
	6	125-2943	1	GASKET					
	7	239-6656	1	PRIMING PUMP					
	8	085-9899	1	EYEBOLT					
	9	085-9888	1	EYEBOLT					
	10	125-2941	1	PUSHROD					
	11	095-2489	2	VALVE					
	12	095-2490	2	SPRING					
	13	085-9222	1	ADAPTER					
	14	096-8288	2	SEAL-O-RING					
	15	095-2040	4	WASHER					

H88143E 05

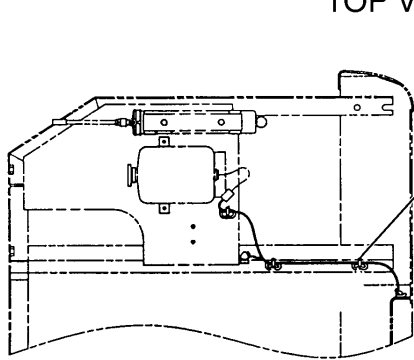
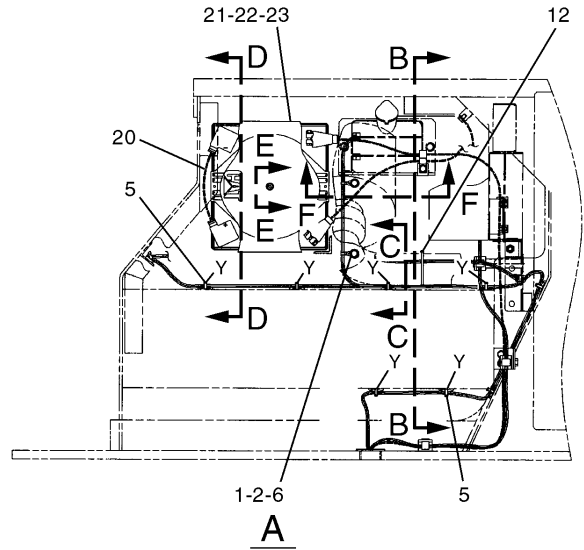
212-8559 PUMP GP-FUEL INJECTION (7/7)
 S/N FBB 1-(T06.02), GAB 1-(T06.02)
 Part of 201-3879-Page13

MEMORANDA

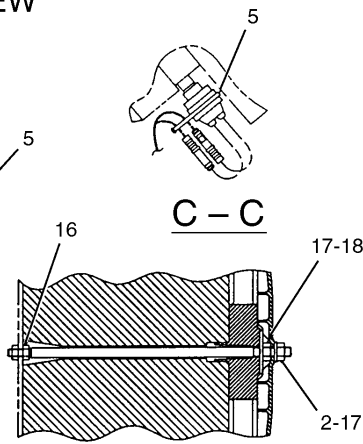
ELECTRICAL AND STARTING SYSTEM



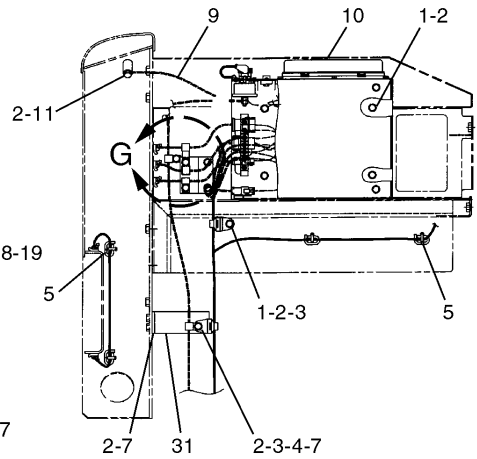
TOP VIEW



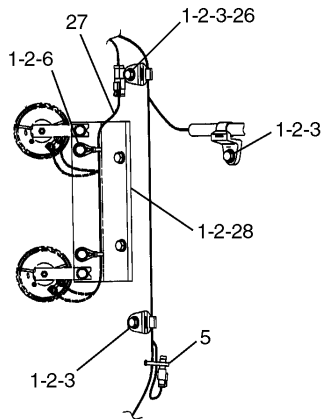
D - D



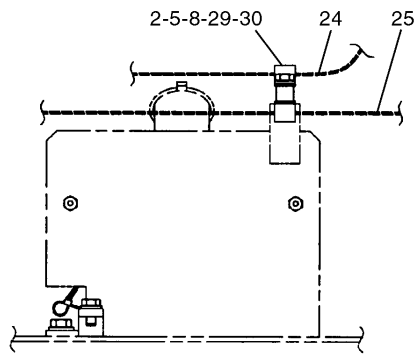
E - E



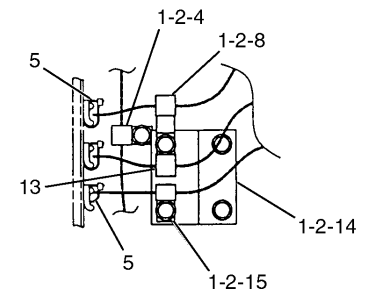
B - B



H - H



F - F



G

H86092E 02

204-1587 BATTERY & WIRING GP (1/4)

S/N FBB 1-00926, GAB 1-00265

163-6750-Page88,170-6929,204-1666-Page89,193-3472-Page90,204-1737-Page92

ELECTRICAL AND STARTING SYSTEM

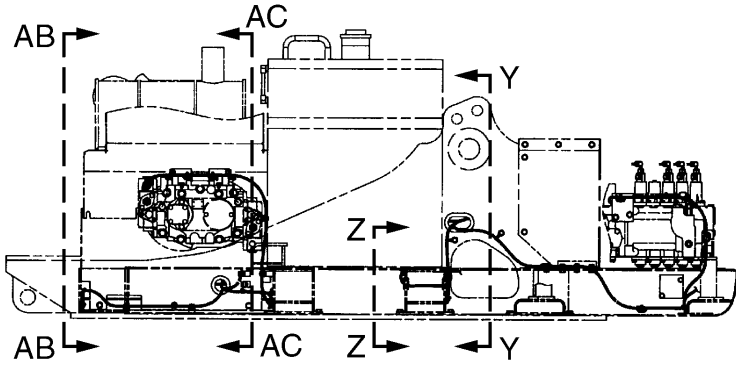
NOTE	No.	PART No.	QTY	PART NAME	NOTE	No.	PART No.	QTY	PART NAME
	1	51-4366	1	GROMMET					
	2	8T-4137	12	BOLT (L=20mm)					
	3	8T-4121	29	WASHER					
	4	111-4837	2	CLIP					
	5	9M-8406	1	CLIP					
	6	3S-2093	5	STRAP					
	7	111-4836	9	CLIP					
	8	8T-4136	3	BOLT (L=25mm)					
	9	8T-4191	3	BOLT (L=16mm)					
	10	111-4838	4	CLIP					
	11	111-4839	4	STRAP					
	12	116-0118	16	CLIP					
	13	7X-2621	10	BOLT (L=12mm)					
Y	14	186-4582	1	HARNESS AS					
	15	7G-1060	1	STRAP AS					
	16	9X-8256	4	WASHER					
	17	6V-5683	4	BOLT (L=16mm)					
	18	163-6786	1	BRACKET					
	19	8T-4195	2	BOLT (L=30mm)					
	20	8T-4200	2	BOLT (L=16mm)					
	21	8T-4224	2	WASHER					
	22	170-9389	1	BRACKET AS					
	23	7X-2548	2	BOLT (L=16mm)					
	24	8T-4223	2	WASHER					
	25	170-9399	1	STRIP AS					
	26	7K-1181	1	STRAP					
	27	7I-2673	1	STRAP					
Y	28	204-1665	1	HARNESS AS					
	29	6K-8178	1	CLIP					
	30	8M-2773	1	CLIP					
	31	033-8248	1	CLIP					
Y	32	161-3088	1	HARNESS AS					
	33	8T-4172	1	BOLT (L=80mm)					
	34	4I-7889	1	SPACER					

Y-SEE SEPARATE ILLUSTRATION

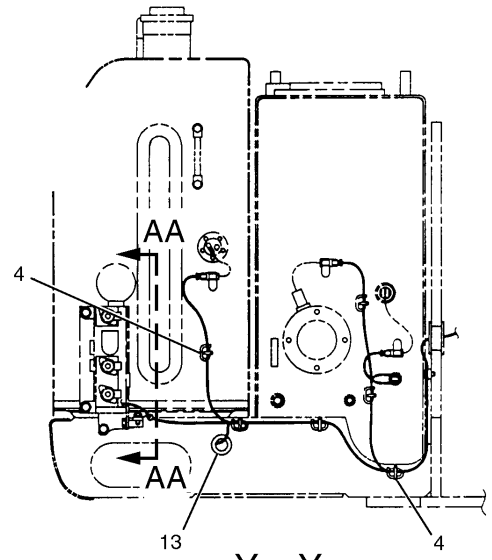
H86097E 03

204-1587 BATTERY & WIRING GP (2/4)
 S/N FBB 00927-01168, GAB 00266-00278
 204-1665-Page80,161-3088-Page84,186-4582-Page86

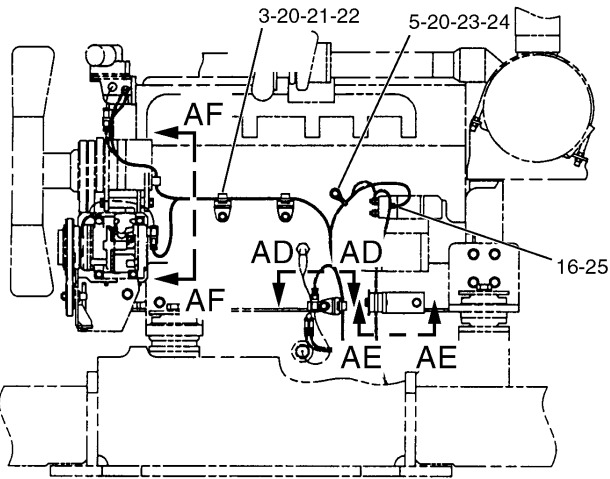
ELECTRICAL AND STARTING SYSTEM



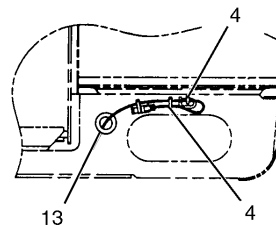
RIGHT SIDE VIEW



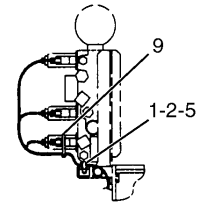
Y - Y



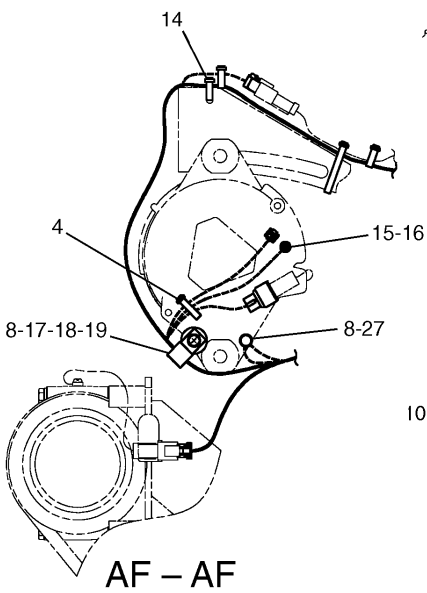
AB - AB



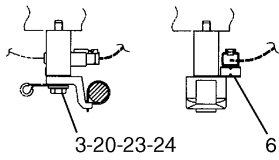
Z - Z



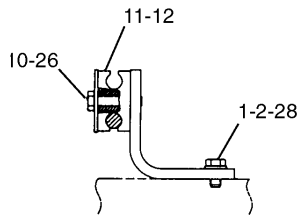
AA - AA



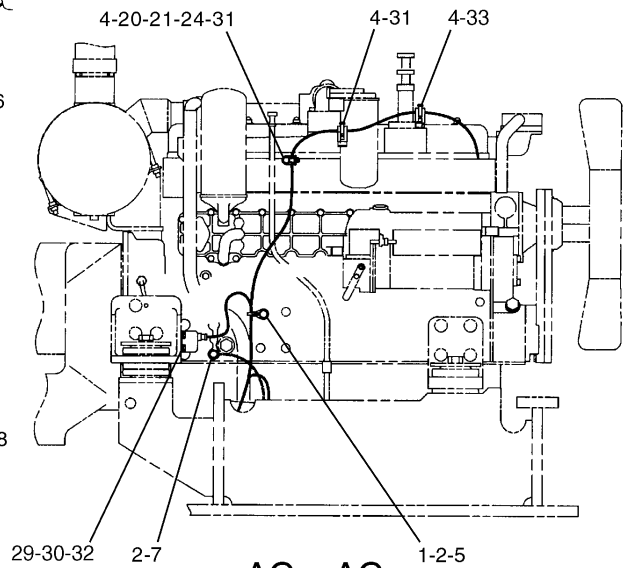
AF - AF



AD - AD



AE - AE

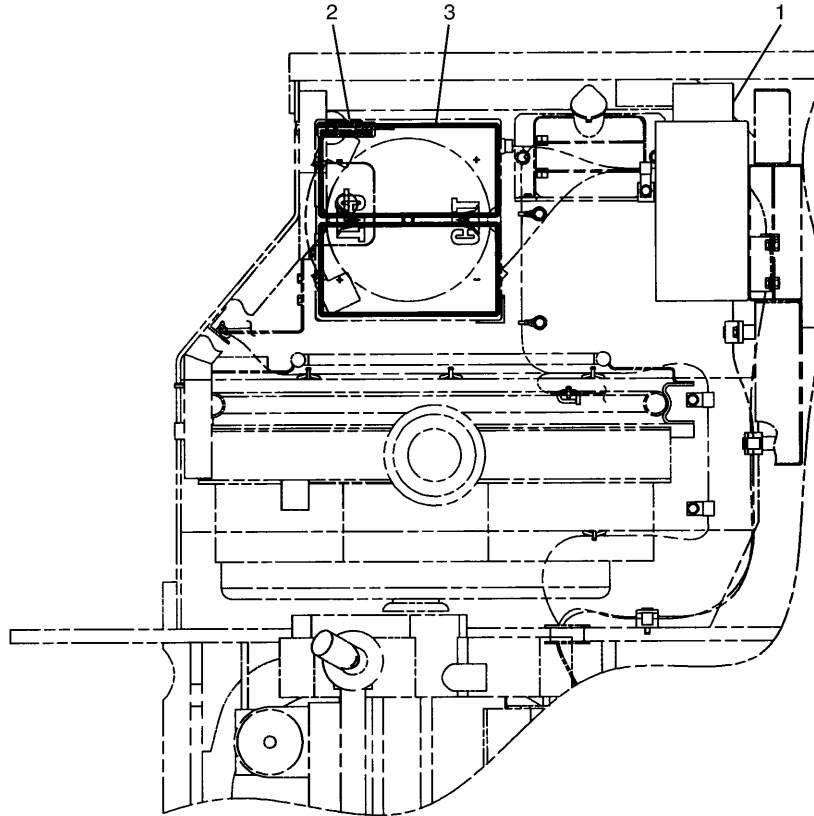


AC - AC

H86759E 05

204-1587 BATTERY & WIRING GP (4/4)
S/N FBB 01169-01503, GAB 00279-00311

ELECTRICAL AND STARTING SYSTEM



TOP VIEW

NOTE	No.	PART No.	QTY	PART NAME	NOTE	No.	PART No.	QTY	PART NAME
Y	1	204-1931	1	PANEL GP					
	2	102-5420	1	FILM (INSTRUCTION)					
	3	9X-3404	2	BATTERY					

Y-SEE SEPARATE ILLUSTRATION

H81600E 00

204-1930 BATTERY & WIRING GP-COLD WEATH
 S/N FBB 1-00926, GAB 1-00265
 Part of 209-2866-Page78
 204-1931-Page95.01
 An Attachment

ELECTRICAL AND STARTING SYSTEM

	NOTE	No.	PART No.	QTY	PART NAME
		1	9W-0852	2	PIN
		2	102-8802	1	RECEPTACLE KIT
		3	3E-3365	1	WEDGE
		4	2L-8075	2	TERMINAL
		5	3S-2093	1	STRAP
H85279E 00					

161-3088 HARNESS AS
Part of 204-1587-Page73

ELECTRICAL AND STARTING SYSTEM

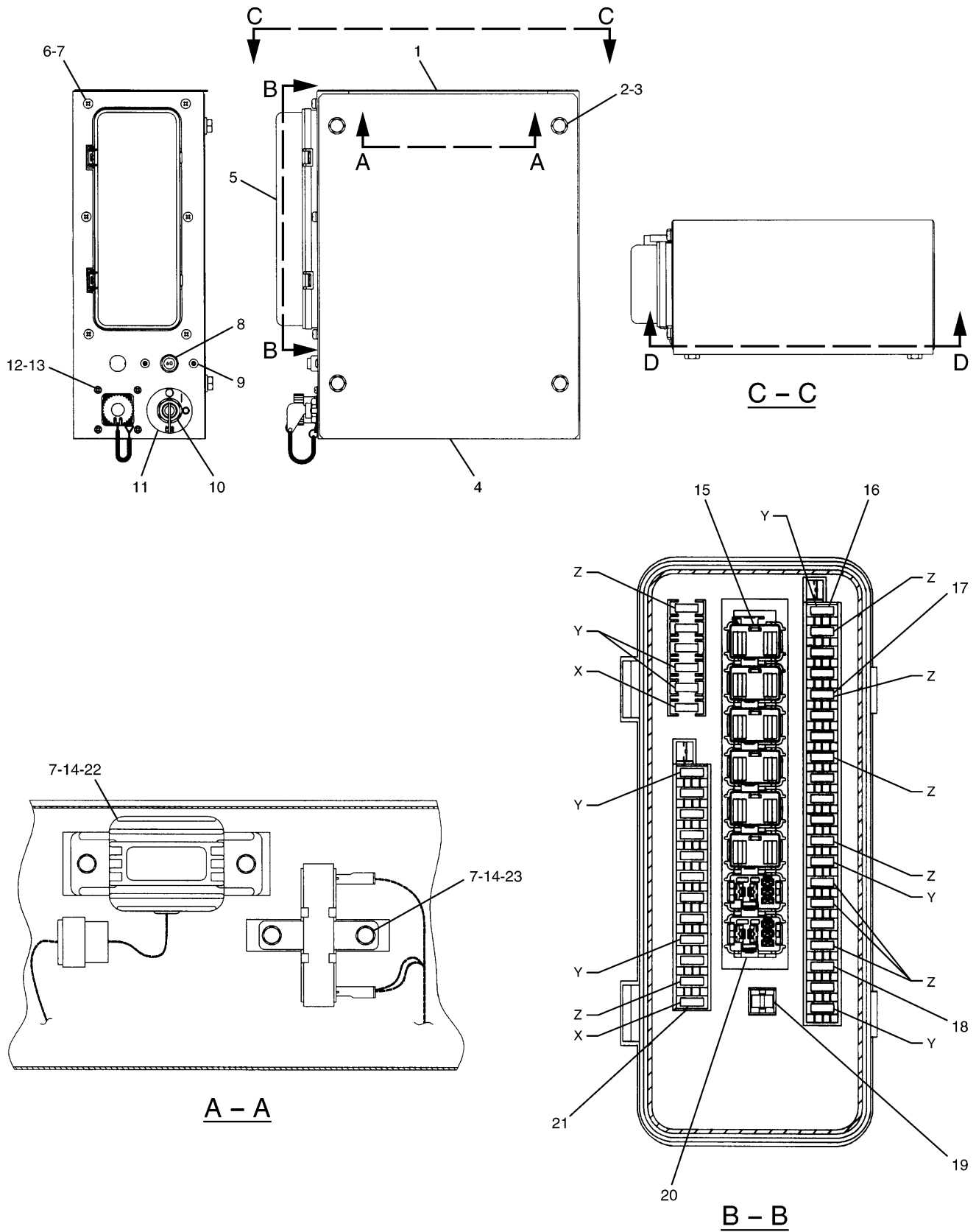
NOTE	No.	PART No.	QTY	PART NAME	NOTE	No.	PART No.	QTY	PART NAME
	1	186-4537	1	BRACKET AS					
	2	8T-4191	4	BOLT (L=16mm)					
	3	8T-4121	4	WASHER					
	4	186-4540	1	COVER					
	5	170-6887	1	COVER					
	6	8T-6411	6	SCREW					
	7	9X-8256	10	WASHER					
	8	171-2208	1	BREAKER AS					
		1H-3244	2	LOCKWASHER					
		6V-8187	2	NUT					
		8T-4205	2	WASHER					
	9	6V-5645	2	SCREW					
Y	10	7N-0718	1	SWITCH AS (DISCONNECT)					
	11	3E-8320	1	PLATE (INSTRUCTION)					
	12	8C-7581	4	SCREW					
	13	096-6166	4	WASHER					
	14	7X-2619	4	BOLT (L=10mm)					
	15	161-3128	6	RELAY					
	16	113-8491	7	FUSE (15A)					
	17	141-2759	9	FUSE (5A)					
	18	113-8490	21	FUSE (10A)					
	19	170-6888	1	TOOL					
	20	149-5051	2	CONNECTOR					
	21	124-3548	2	FUSE (30A)					
	22	094-2080	1	RELAY					
	23	102-8016	1	RESISTOR AS					

Y-SEE SEPARATE ILLUSTRATION

H83465E 00

204-1737 PANEL GP-CIRCUIT BREAKER (1/2)
 S/N FBB 1-00572, GAB 1-00247
 Part of 204-1587-Page71
 7N-0718-Page100

ELECTRICAL AND STARTING SYSTEM



H83477E 01

204-1931 PANEL GP-CIRCUIT BREAKER (1/2)

Cold Weather
 S/N FBB (T03.01)-00926, GAB (T03.01)-00265
 Part of 204-1930-Page79
 7N-0718-Page100
 An Attachment

ELECTRICAL AND STARTING SYSTEM

NOTE	No.	PART No.	QTY	PART NAME	NOTE	No.	PART No.	QTY	PART NAME
	1	197-4330	1	CONTROLLER					
Y	2	125-1302	1	SWITCH AS (START RELAY)					
	3	163-6758	1	WIRE AS					
		102-8802	1	RECEPTACLE KIT					
		186-3735	2	PIN					
	4	170-9409	1	WIRE AS					
		2L-8050	2	TERMINAL					
	5	121-1023	1	BLOCK					
	6	8C-7581	5	SCREW					
	7	096-6166	5	WASHER					
	8	8T-6411	3	SCREW					
	9	9X-8256	19	WASHER					
	10	111-4829	1	WIRE AS					
		2L-8050	2	TERMINAL					
	11	163-6757	1	WIRE AS					
		2L-8050	2	TERMINAL					
	12	8T-4970	2	BOLT (L=14mm)					
Y	13	163-6703	1	TIMER AS					
	14	105-9980	1	CLIP					
	15	7X-2619	6	BOLT (L=10mm)					
	16	213-0772	1	SWITCH AS					
	17	8T-4127	2	SCREW					
	18	095-0742	4	SCREW					
	19	8T-0328	2	WASHER					
	20	105-9986	1	CLIP					
Y	21	259-4873	1	HARNESS AS					
	22	167-3593	1	STRAP					
	23	224-2859	1	WIRE AS					
		2L-8050	2	TERMINAL					
	24	213-0873	1	WIRE AS					
		2L-8050	2	TERMINAL					
	25	5C-2890	2	NUT					
	26	116-0114	1	SWITCH AS (HEATER RELAY)					
		8T-8729	2	PIN					
		102-8802	1	RECEPTACLE KIT					
	27	096-5962	4	WASHER					
	28	3E-8048	4	SCREW					
	29	136-4055	1	STRIP					
	30	105-9983	1	CLIP					
	31	170-6935	1	WIRE AS					
		2L-8050	2	TERMINAL					
	32	204-1569	1	CABLE AS					
		9G-4343	2	TERMINAL					
	33	163-6751	1	CABLE AS					
		9G-4343	2	TERMINAL					
	34	224-2858	1	WIRE AS					
		2L-8050	2	TERMINAL					
	35	3S-2093	4	STRAP					
	36	111-4719	1	CLIP					
	37	105-9982	1	CLIP					

Y-SEE SEPARATE ILLUSTRATION

H88267E 05

204-1931 PANEL GP-CIRCUIT BREAKER (2/2)

S/N FBB 01629-01813, GAB 00335-00358

Part of 204-1587-Page77.18

259-4873-Page99.13,125-1302-Page101,163-6703-Page104

ELECTRICAL AND STARTING SYSTEM

NOTE	No.	PART No.	QTY	PART NAME	NOTE	No.	PART No.	QTY	PART NAME
	1	153-2602	2	CONNECTOR					
	2	153-2631	2	TERMINAL					
	3	3S-2093	27	STRAP					
	4	104-6573	1	PLUG					
	5	7Y-3951	13	TERMINAL					
	6	121-1022	4	DIODE					
	7	7Y-3952	4	CONNECTOR					
	8	155-2260	2	PLUG KIT					
	9	102-8803	2	RECEPTACLE KIT					
	10	8T-8737	15	PLUG					
	11	186-3736	12	SOCKET					
	12	9W-0844	28	SOCKET					
	13	155-2270	3	PLUG KIT					
	14	155-2261	3	WEDGE					
	15	102-8805	1	RECEPTACLE KIT					
	16	186-3735	3	PIN					
	17	9W-0852	9	PIN					
	18	155-2255	2	PLUG KIT					
	19	155-2258	2	WEDGE					
	20	126-1768	2	SOCKET					
	21	155-2271	2	PLUG KIT					
	22	102-8801	1	RECEPTACLE KIT					
	23	9X-3401	8	PIN					
	24	2L-8067	3	TERMINAL					
	25	9W-1951	1	RECEPTACLE					
	26	8C-6354	1	CAP					
	27	170-6890	2	TERMINAL					
	28	170-6891	7	TERMINAL					
	29	2L-8075	1	TERMINAL					
	30	2L-8065	2	TERMINAL					

H86588E 00

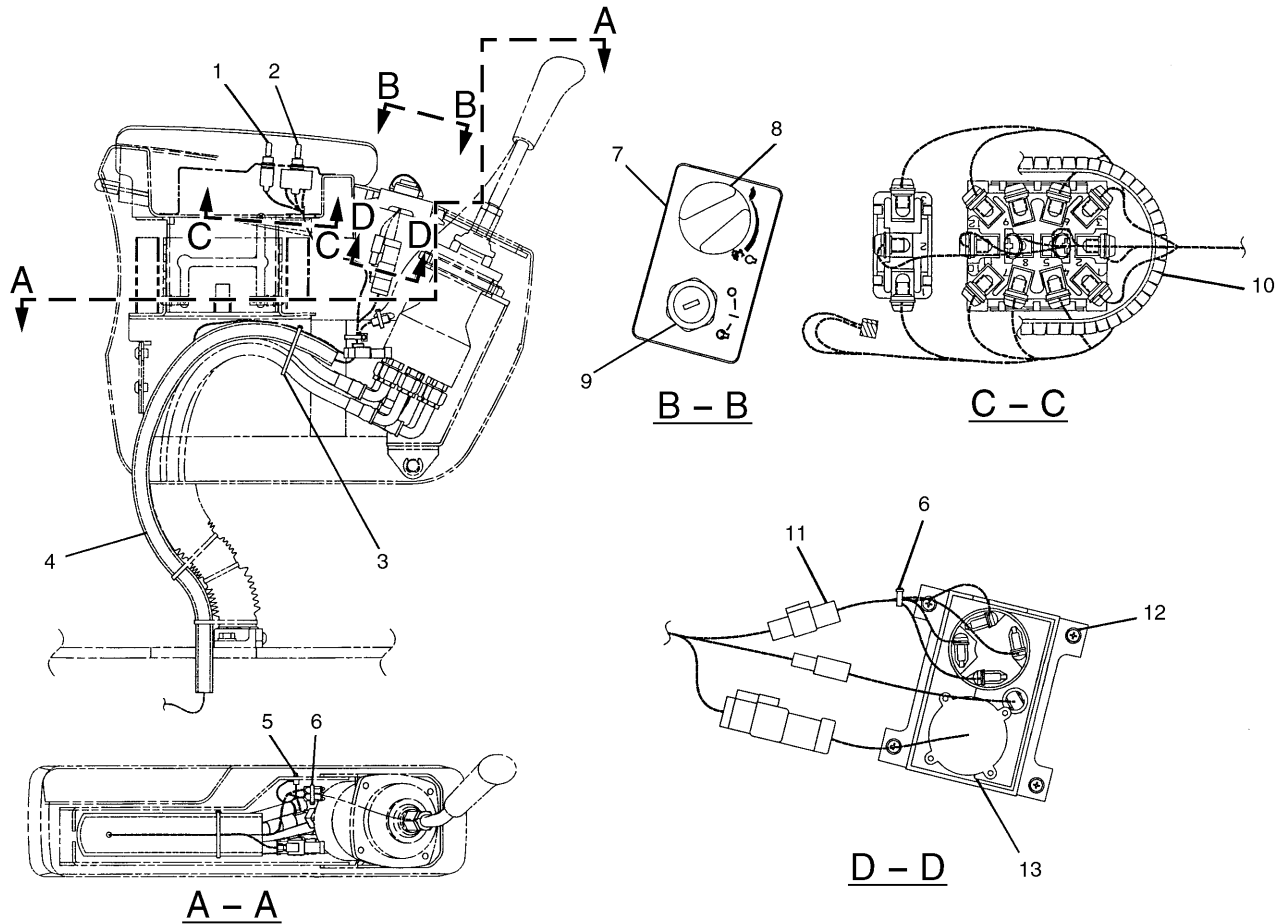
238-2081 HARNESS AS (1/2)
 S/N FBB 00927-01628, GAB 00266-00334
 Part of 204-1931-Page95.12

ELECTRICAL AND STARTING SYSTEM

	NOTE	No.	PART No.	QTY	PART NAME
		1	7Y-3951	4	TERMINAL
		2	7Y-3953	1	CONNECTOR
		3	7Y-3950	2	TERMINAL
		4	121-1022	2	DIODE
		5	7Y-3952	2	CONNECTOR
H89149E 00					

267-7596 HARNESS AS
 S/N FBB 01814-Up, GAB 00359-Up
 Part of 204-1931-Page95.20

ELECTRICAL AND STARTING SYSTEM



NOTE	No.	PART No.	QTY	PART NAME	NOTE	No.	PART No.	QTY	PART NAME
	1	163-6711	1	SWITCH AS (BACKUP)					
	2	283-3074	1	SWITCH AS (BACKUP)					
	3	7K-1181	1	STRAP					
Y	4	197-4276	1	HARNESS AS					
	5	163-6795	1	STRAP					
	6	3S-2093	2	STRAP					
	7	163-6702	1	PANEL AS					
		170-9324	1	BULB AS					
	8	185-9208	1	KNOB AS					
		185-9209	1	SPRING					
		124-4003	1	PLATE					
Y	9	9G-7641	1	SWITCH GP (ENGINE STARTER)					
D	10	6V-5738		TRIM... (0.13m)					
Y	11	170-6828	1	HARNESS AS					
	12	119-5026	4	SCREW					
Y	13	106-0107	1	SWITCH AS (ACCELERATOR)					

D—ORDER BY THE METER
Y—SEE SEPARATE ILLUSTRATION

H95198E 08

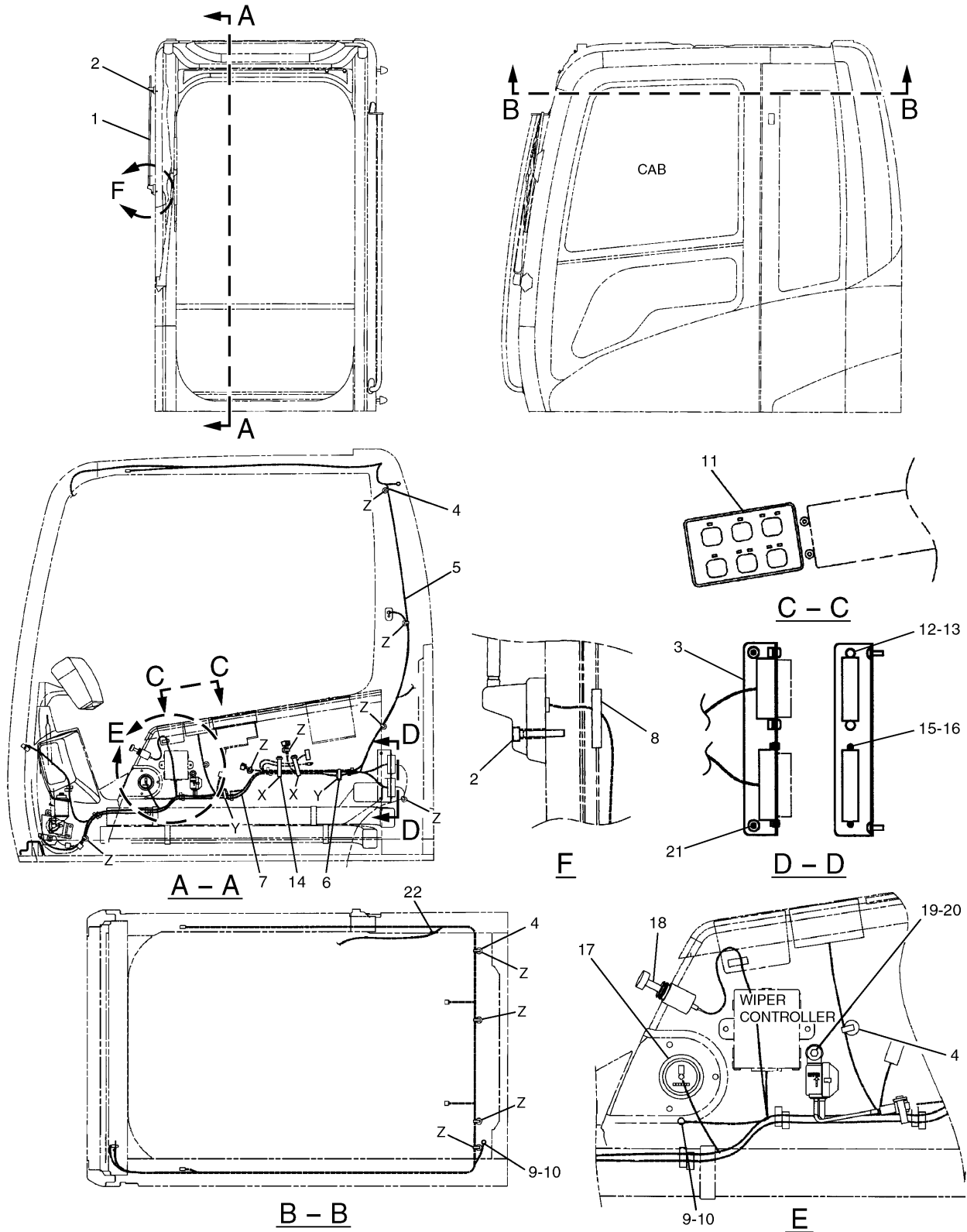
163-6626 WIRING GP-CONSOLE

Right Hand

Part of 163-6624-Page105

197-4276-Page111,170-6828-Page114,9G-7641-Page116,106-0107-Page117

ELECTRICAL AND STARTING SYSTEM



H77492E 09

163-6623 WIRING GP-CAB
 S/N FBB 1-(T04.12), GAB 1-(T04.12)
 Part of 189-3442, 189-3446-Page482, 189-3445-Page483
 163-6787-Page121, 163-6810-Page126, 132-1829-Page128
 An Attachment

ELECTRICAL AND STARTING SYSTEM

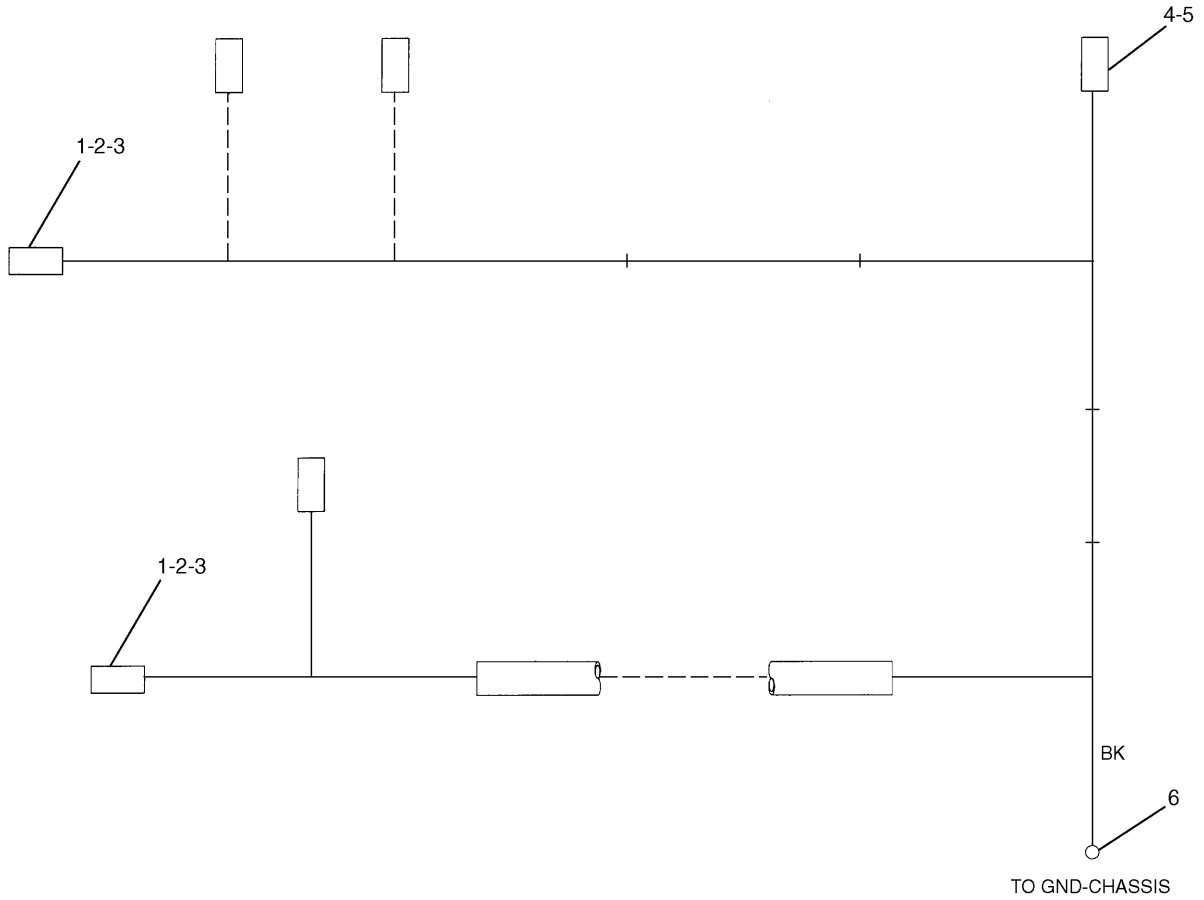
	NOTE	No.	PART No.	QTY	PART NAME
		1	125-4785	4	TERMINAL
		2	163-6804	1	CONNECTOR
		3	3S-2093	5	STRAP
		4	163-6805	1	CONNECTOR
		5	163-6801	3	TERMINAL
		6	163-6790	2	TERMINAL
		7	170-6827	3	TERMINAL
H67102E 02					

163-6807 HARNESS AS-WIRING
 Part of 163-6810-Page126
 An Attachment

	NOTE	No.	PART No.	QTY	PART NAME
		1	125-4785	4	TERMINAL
		2	163-6804	1	CONNECTOR
		3	3S-2093	5	STRAP
		4	163-6805	1	CONNECTOR
		5	163-6801	3	TERMINAL
		6	163-6790	2	TERMINAL
		7	170-6827	3	TERMINAL
H67104E 02					

163-6811 HARNESS AS-WIRING
 Part of 163-6810-Page126
 An Attachment

ELECTRICAL AND STARTING SYSTEM



NOTE	No.	PART No.	QTY	PART NAME	NOTE	No.	PART No.	QTY	PART NAME
	1	8T-8730	10	SOCKET					
	2	155-2270	5	PLUG KIT					
	3	155-2261	5	WEDGE					
	4	8T-8729	3	PIN					
	5	102-8803	1	RECEPTACLE KIT					
	6	3T-4696	1	TERMINAL					

H86695E 00

186-4559 HARNESS AS-WIRING
Part of 170-9303-Page133
An Attachment

ELECTRICAL AND STARTING SYSTEM

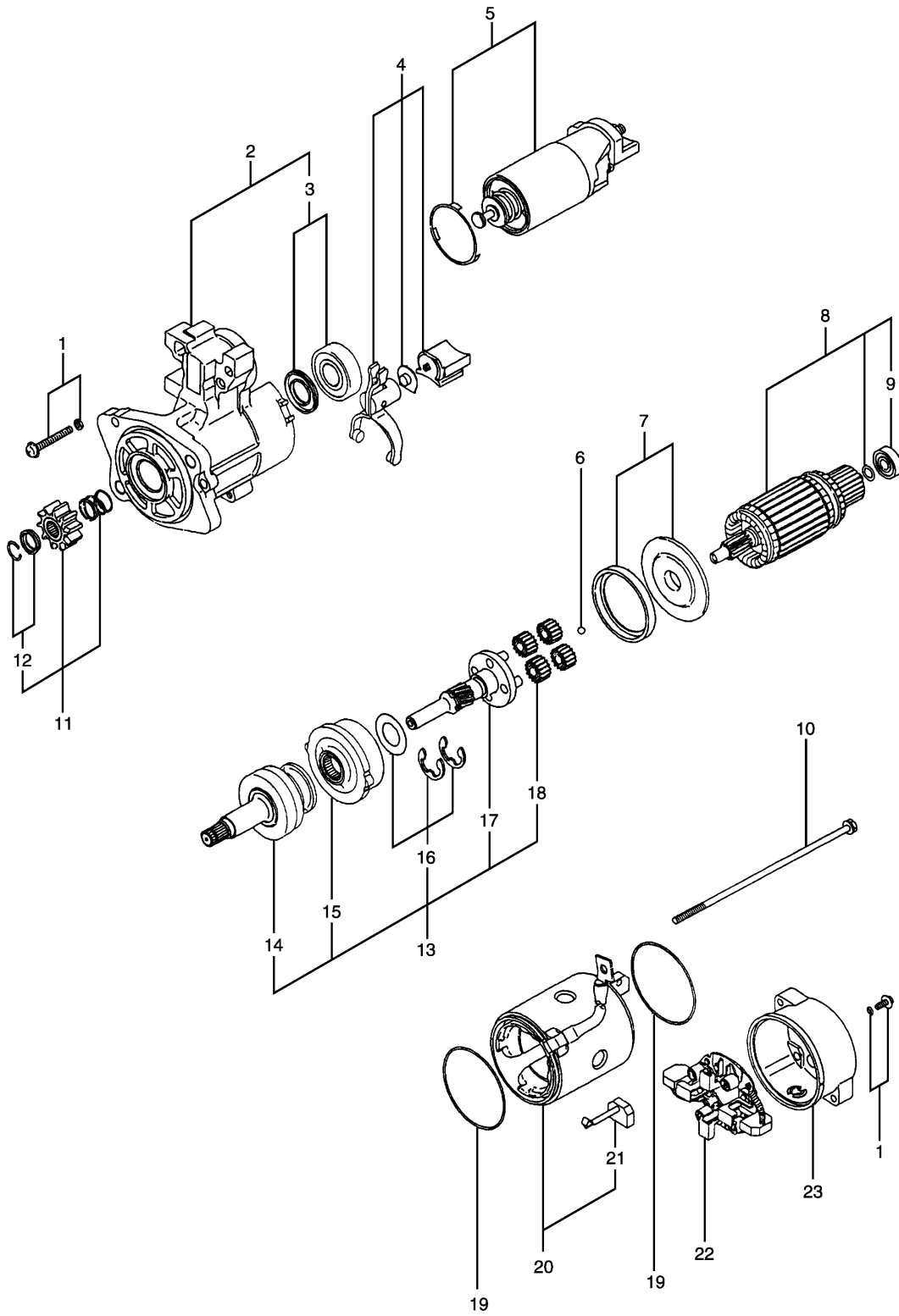
	NOTE	No.	PART No.	QTY	PART NAME
		1	186-3735	1	PIN
		2	8T-8737	1	PLUG
		3	2L-8079	1	TERMINAL
		4	155-2270	1	PLUG KIT
		5	155-2261	1	WEDGE
		6	186-3736	2	SOCKET
		7	102-8802	1	RECEPTACLE KIT
H81233E 00					

213-0818 HARNESS AS-WIRING
 Part of 213-0817-Page141.02
 An Attachment

	NOTE	No.	PART No.	QTY	PART NAME
		1	186-3735	2	PIN
		2	8T-8737	1	PLUG
		3	155-2270	2	PLUG KIT
		4	155-2261	2	WEDGE
		5	186-3736	3	SOCKET
		6	102-8802	1	RECEPTACLE KIT
H81227E 00					

213-0815 HARNESS AS-WIRING
 Part of 213-0817-Page141.02
 An Attachment

ELECTRICAL AND STARTING SYSTEM



H98079E 01

272-4774 STARTING MOTOR GP-ELECTRIC
S/N FBB (T05.11)-Up, GAB (T05.11)-Up
Part of 201-3879-Page13.02,287-0094-Page13.04

ELECTRICAL AND STARTING SYSTEM

NOTE	No.	PART No.	QTY	PART NAME	NOTE	No.	PART No.	QTY	PART NAME
	1	163-6814	1	COVER					
	2	163-6813	1	COVER					
	3	8T-4970	6	BOLT (L=14mm)					
	4	9X-8256	14	WASHER					
Y	5	167-3441	2	LAMP GP					
	6	163-6795	2	STRAP					
B	7	9X-8256	4	WASHER					
	8	167-3437	1	BRACKET AS					
	9	8T-6411	6	SCREW					
	10	8T-4199	2	BOLT (L=12mm)					
	11	8T-4224	2	WASHER					
Y	12	167-3456	2	HARNESS AS					
Y	13	163-6704	1	TIMER AS					
	14	167-3438	1	BRACKET AS					
	15	8T-6412	2	SCREW					

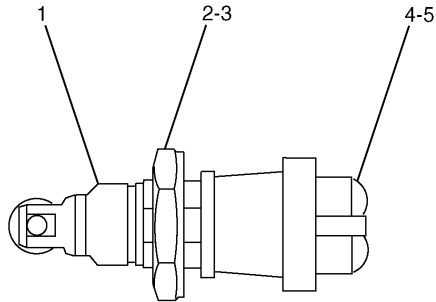
B—USE AS REQUIRED

Y—SEE SEPARATE ILLUSTRATION

H86219E 08

163-6631 LIGHTING GP-CAB
 167-3441-Page160,167-3456-Page161,163-6704-Page162
 An Attachment

ELECTRICAL AND STARTING SYSTEM



NOTE	No.	PART No.	QTY	PART NAME
	1	9X-0199	1	BOOT
	2	6V-8370	1	NUT
	3	2H-3922	1	LOCKWASHER
	4	6V-8363	2	SCREW
	5	8F-1434	2	LOCKWASHER

H74275E 01

129-6466 SWITCH AS-ROLLER
 Part of 161-3748-Page533
 An Attachment

FRAME AND BODY

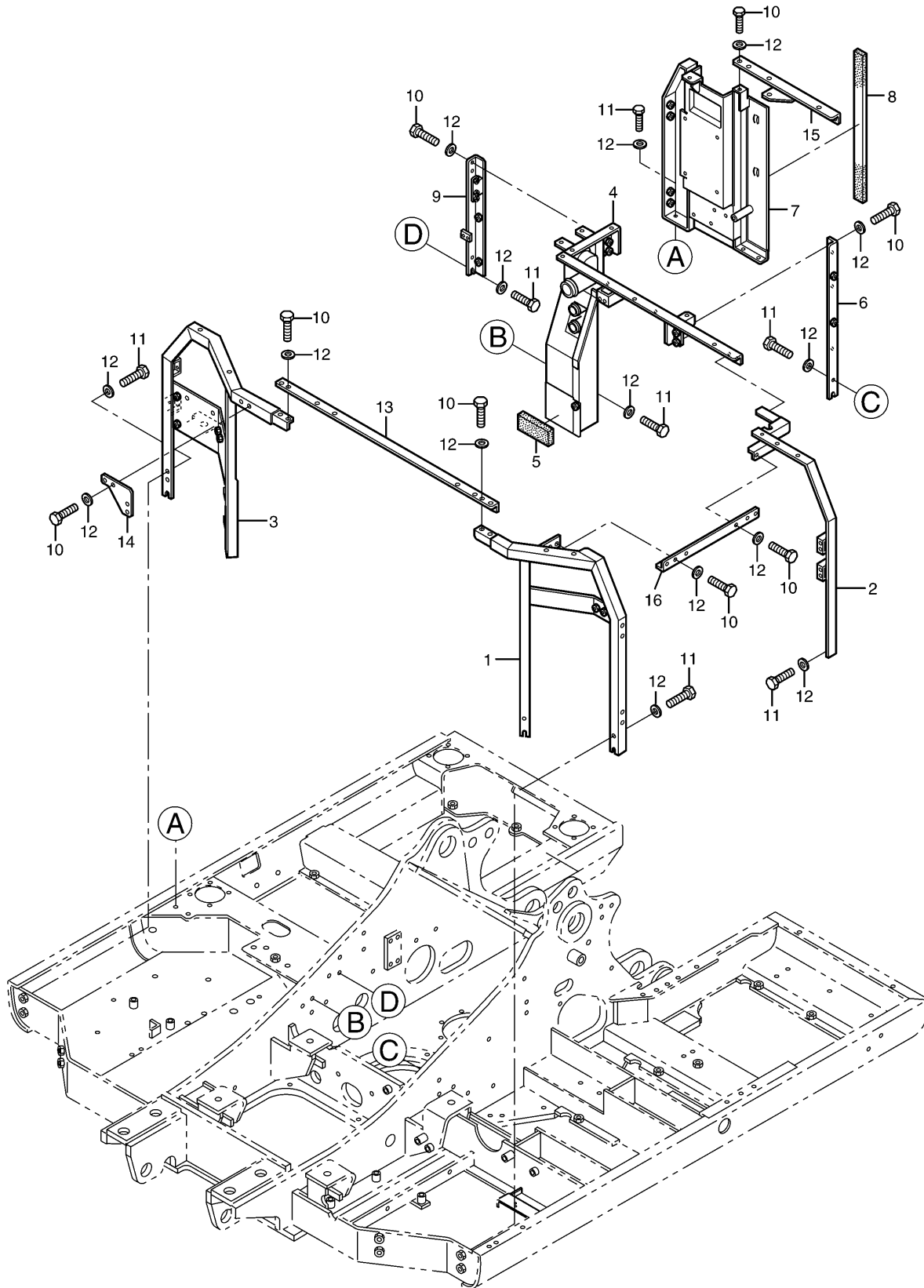
NOTE	No.	PART No.	QTY	PART NAME	NOTE	No.	PART No.	QTY	PART NAME
	1	7X-2563	32	BOLT (L=60mm)					
	2	7X-2576	12	BOLT (L=70mm)					
	3	8T-4123	32	WASHER					
	4	8T-4167	12	WASHER					
	5	096-4755	1	PIN					
	6	8T-4121	1	WASHER					
B	7	1U-8846		GASKET MAKER...(15ml)					
	8	2Y-5503	2	CORK					
E	9	5P-0767		HOSE...(65cm)					
	10	5D-1026	1	CLAMP					
	11	114-1374	1	SUPPORT					
	12	8T-4191	1	BOLT (L=16mm)					

B—USE AS REQUIRED
E—ORDER BY THE CENTIMETER

H77900E 02

171-9289 FASTENER GP-SWING & FINAL DR

FRAME AND BODY

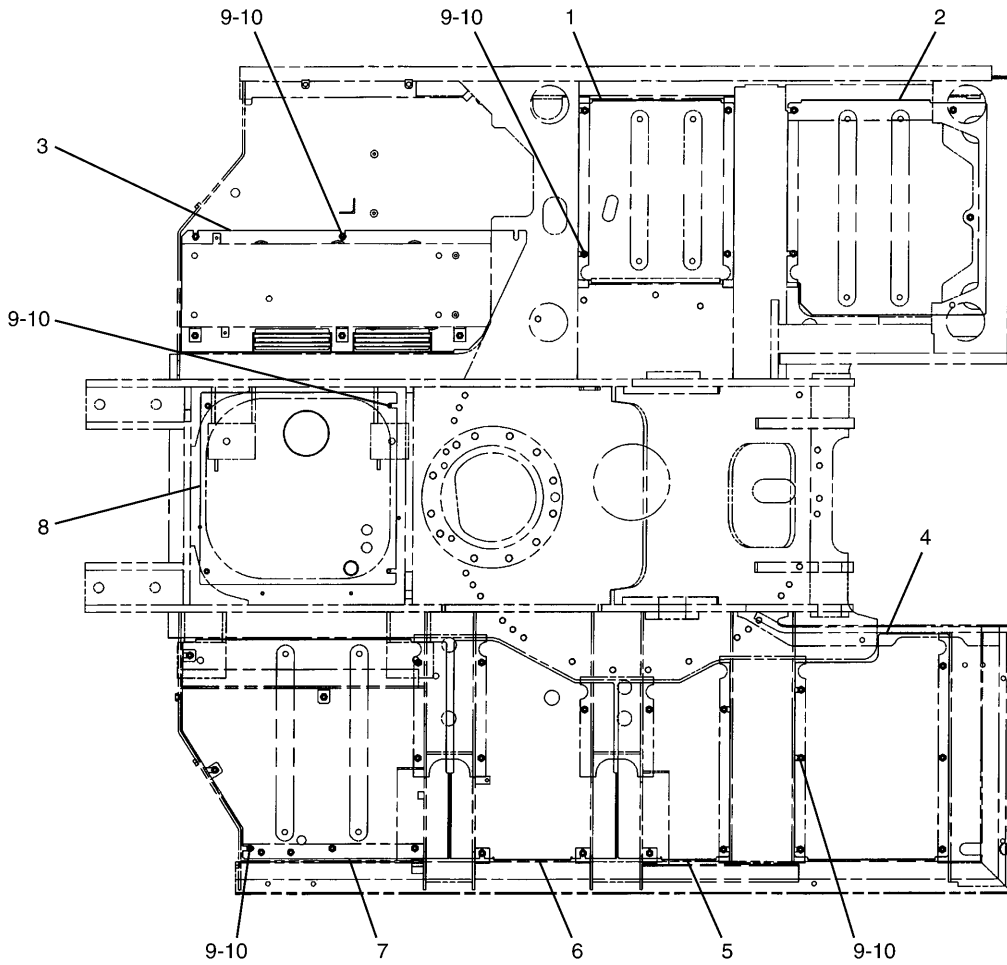


H87728E 06

199-7294 HOOD & GUARD GP (3/3)
S/N FBB 01504-01642, GAB 00312-00332

MEMORANDA

FRAME AND BODY

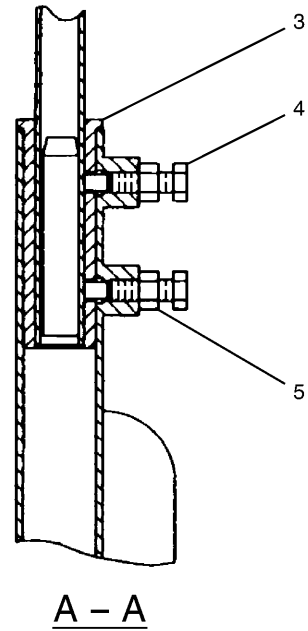
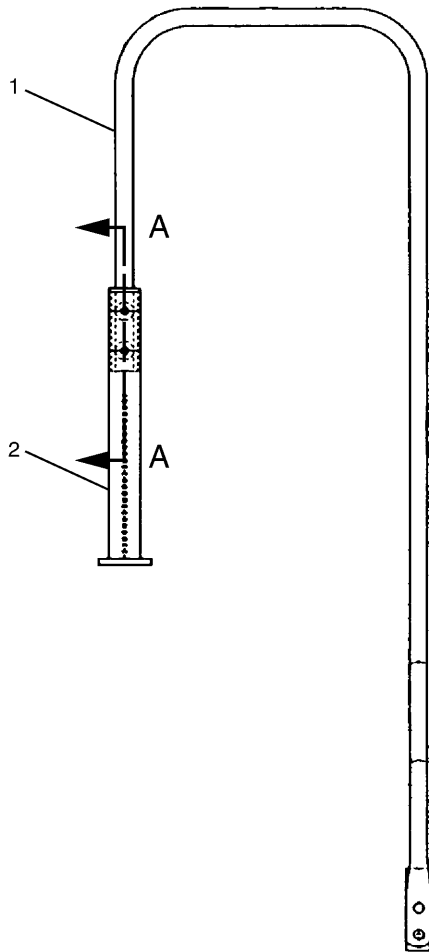


NOTE	No.	PART No.	QTY	PART NAME	NOTE	No.	PART No.	QTY	PART NAME
	1	199-7310	1	SHEET					
	2	199-7311	1	SHEET					
	3	192-6571	1	SHEET AS					
	4	175-5686	1	SHEET					
	5	178-5847	1	SHEET					
	6	240-2935	1	SHEET					
	7	204-3721	1	SHEET					
	8	208-4008	1	SHEET AS					
	9	099-4691	41	BOLT					
	10	5P-1076	41	WASHER					

H86142E 01

204-3709 GUARD GP-BOTTOM

FRAME AND BODY

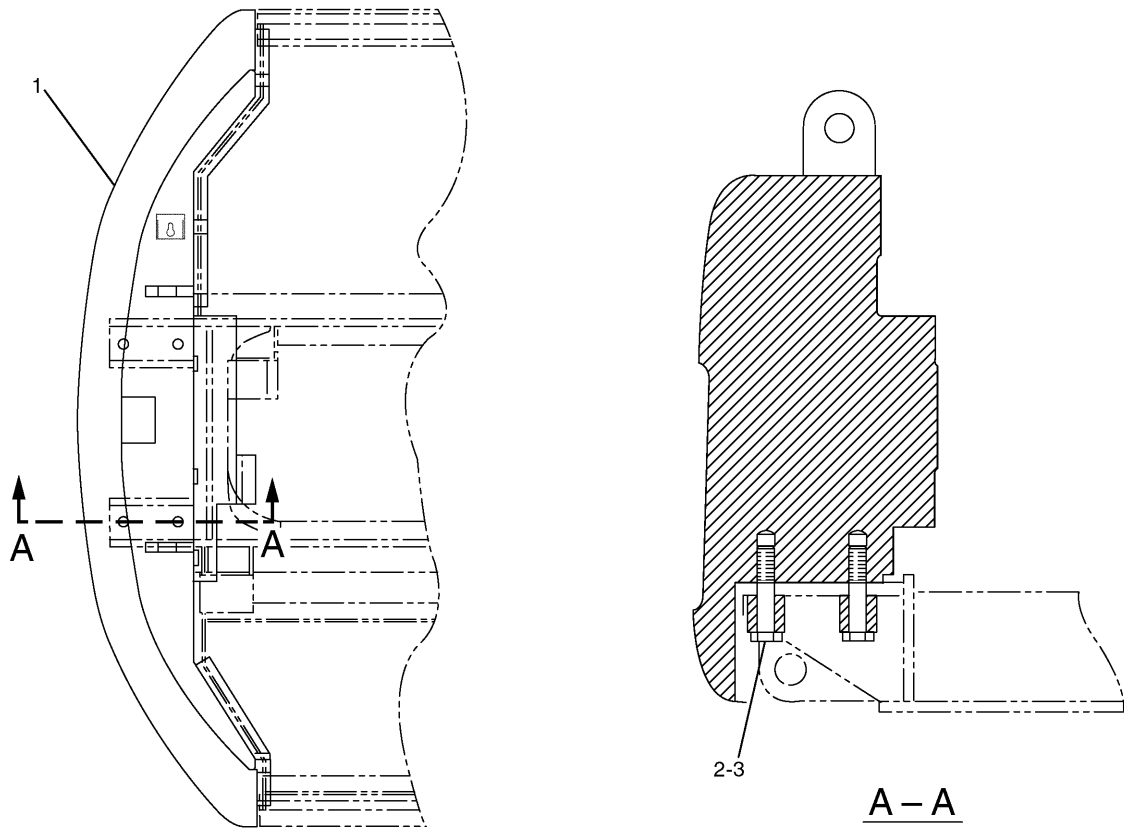


NOTE	No.	PART No.	QTY	PART NAME	NOTE	No.	PART No.	QTY	PART NAME
	1	178-5866	1	PIPE AS					
	2	129-3348	1	PIPE AS					
	3	137-2292	1	SLEEVE					
	4	137-2294	2	BOLT					
	5	8T-4244	2	NUT					

H77905E 00

178-5865 HANDHOLD GP
Part of 175-5616-Page186

FRAME AND BODY



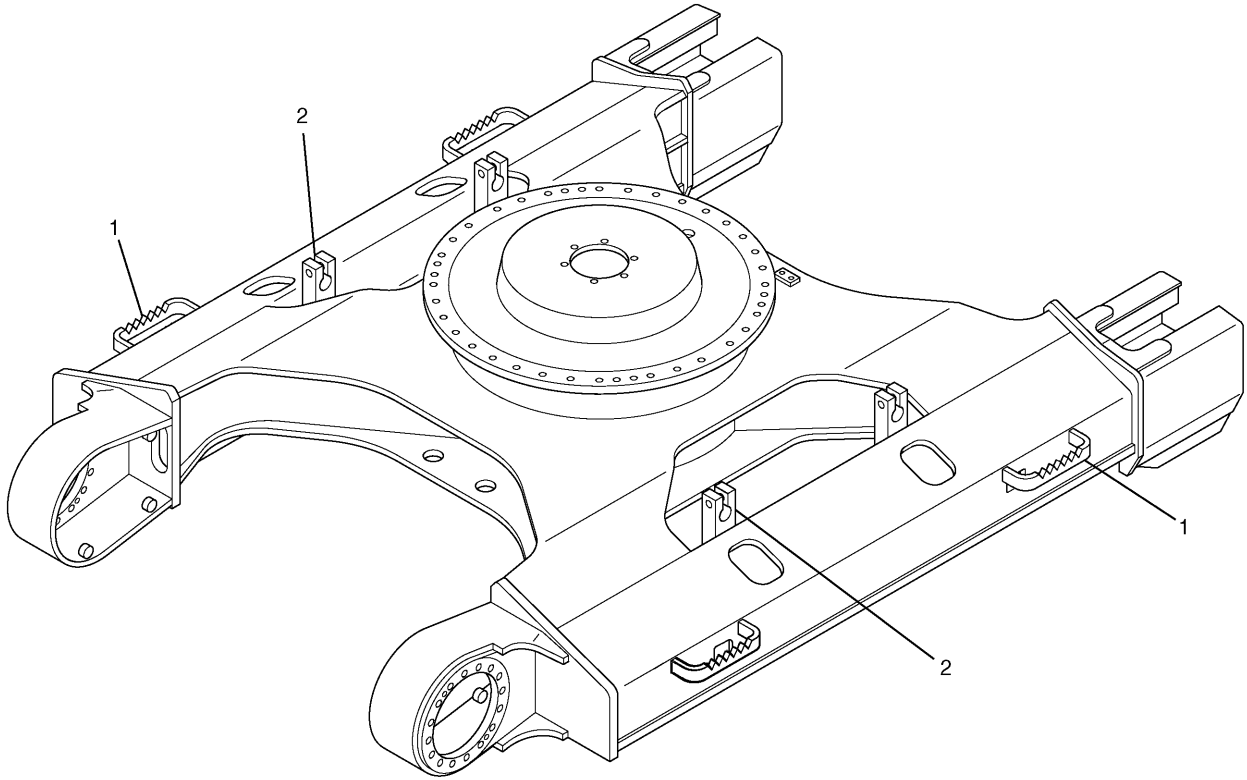
NOTE	No.	PART No.	QTY	PART NAME	NOTE	No.	PART No.	QTY	PART NAME
Y	1	178-5830	1	COUNTERWEIGHT GP					
	2	41-0191	4	BOLT (L=181mm)					
	3	61-6645	4	SPACER					

Y-SEE SEPARATE ILLUSTRATION

H81360E 01

178-5829 COUNTERWEIGHT GP
 178-5830-Page199
 An Attachment

FRAME AND BODY

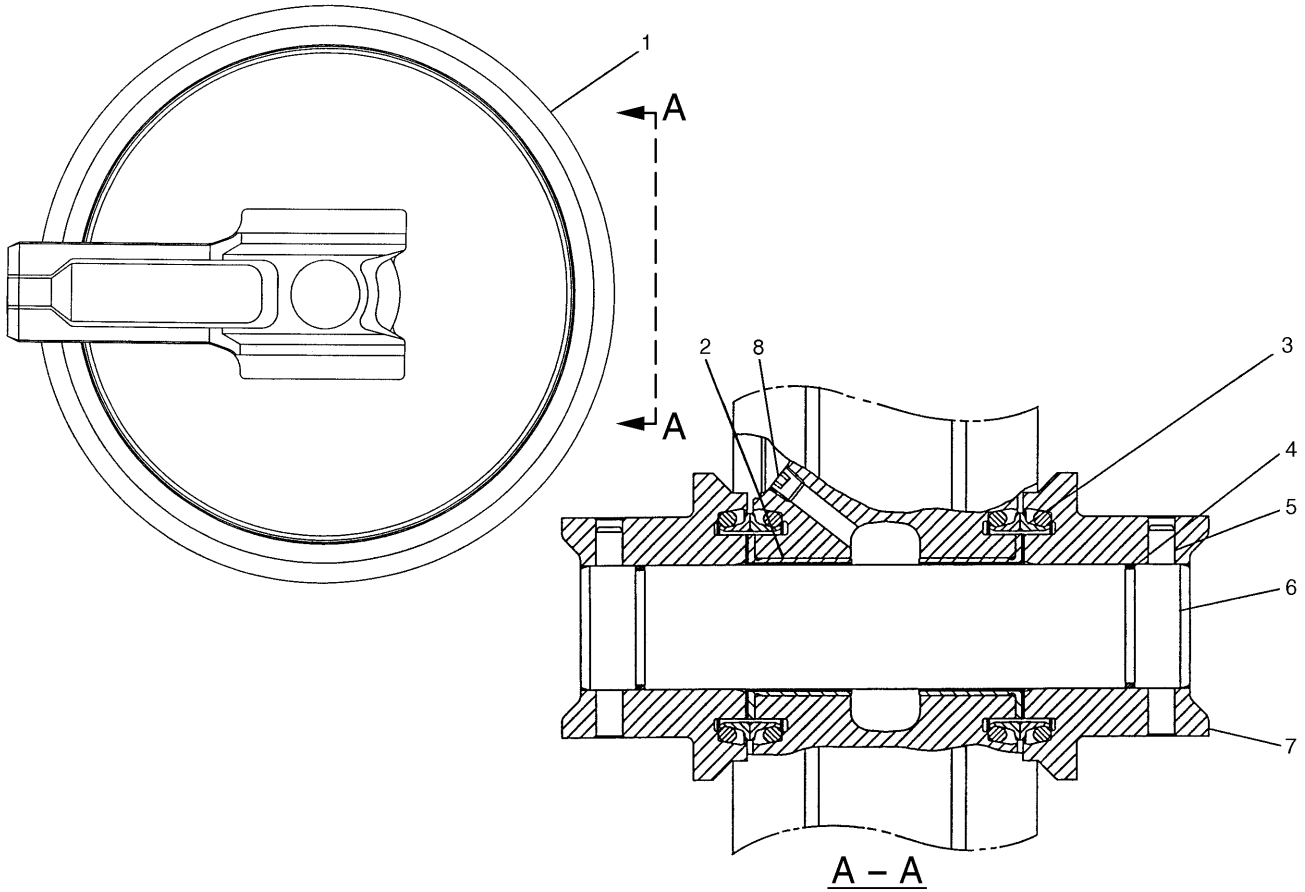


NOTE	No.	PART No.	QTY	PART NAME	NOTE	No.	PART No.	QTY	PART NAME
	1	120-7215	4	STEP					
	2	117-5540	4	BRACKET					

H68431E 02

163-3533 FRAME AS-UNDERCARRIAGE
S/N FBB 1-Up

FRAME AND BODY



NOTE	No.	PART No.	QTY	PART NAME	NOTE	No.	PART No.	QTY	PART NAME
	1	115-4926	1	IDLER AS					
	2	8E-4359	2	BEARING					
	3	9W-2201	2	SEAL GP					
	4	6V-7658	2	SEAL-O-RING (ID=59.40mm)					
	5	9W-9455	2	PIN					
	6	9W-9451	1	SHAFT					
	7	115-3701	2	BEARING					
	8	7H-3171	1	PLUG					

H93351E 01

113-2907 IDLER GP-FRONT

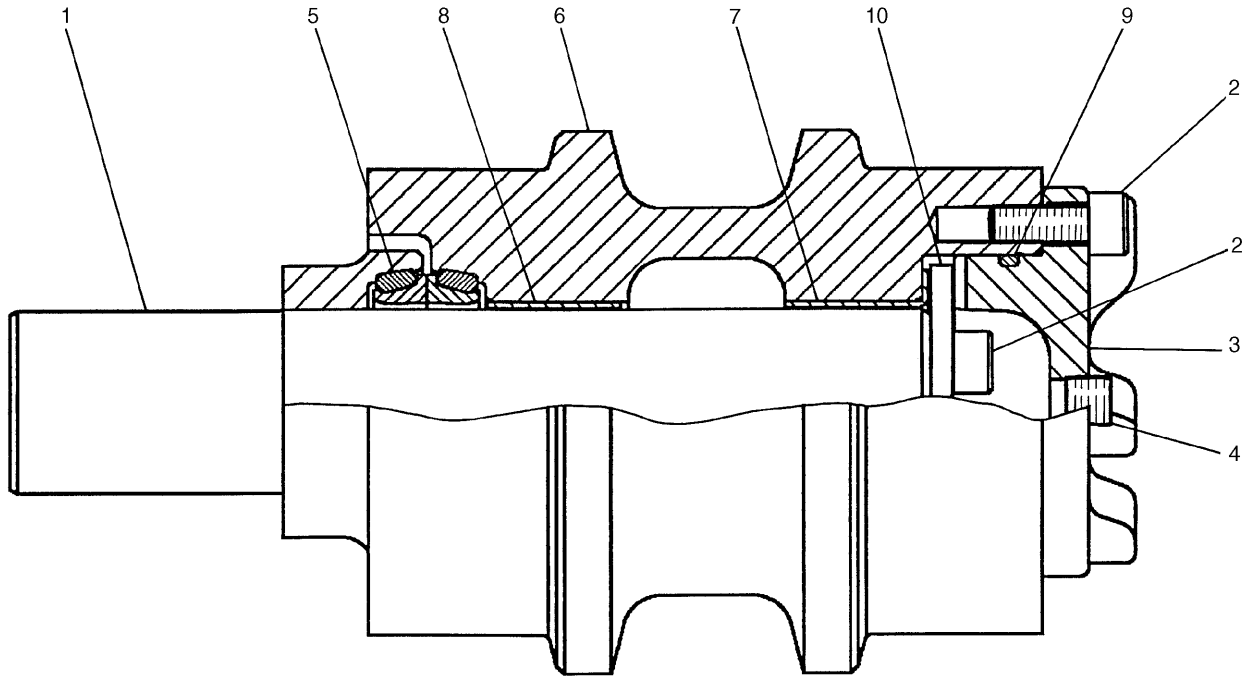
Basic

S/N FBB 1-01701, GAB 1-00336

Part of 145-3026-Page208,194-1262-Page208.01,145-3038-Page209,194-1261-Page209.01

MEMORANDA

FRAME AND BODY



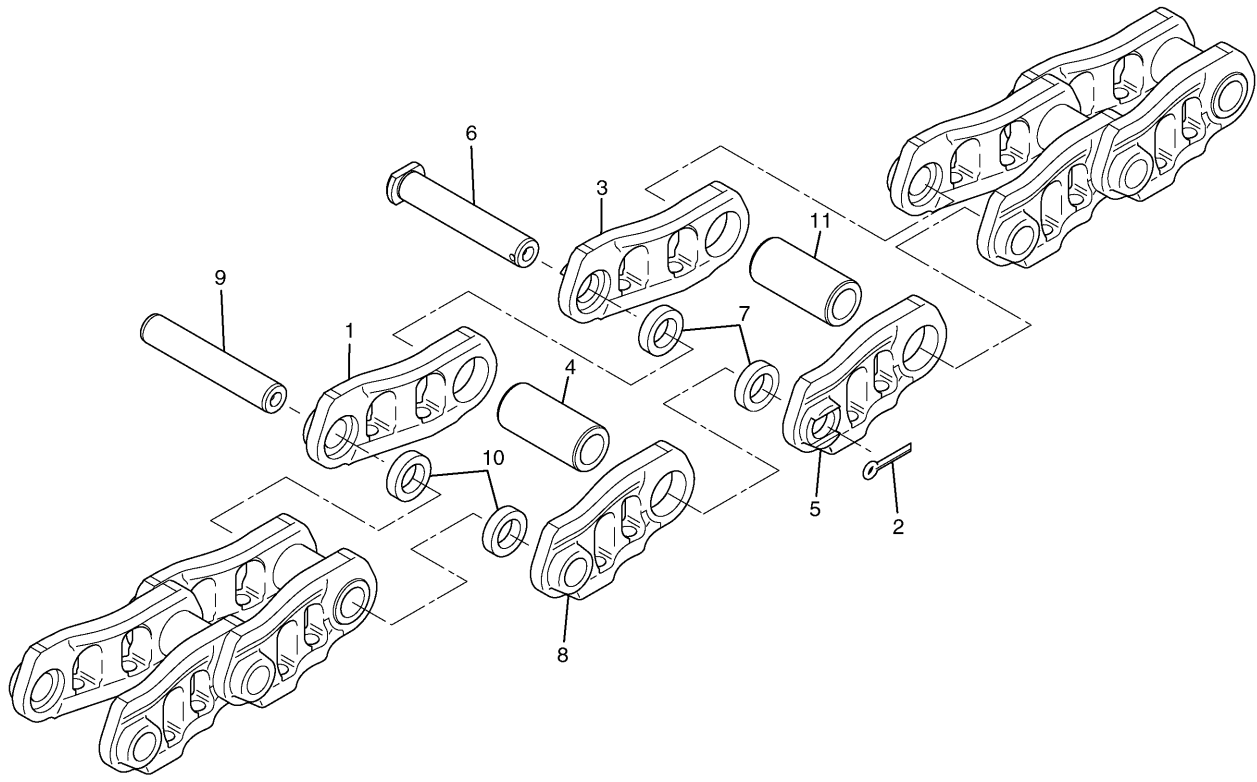
NOTE	No.	PART No.	QTY	PART NAME	NOTE	No.	PART No.	QTY	PART NAME
	1	8E-5601	1	SHAFT AS					
	2	8T-1159	5	BOLT (L=25mm)					
	3	8E-5605	1	COVER					
	4	7H-3171	1	PLUG					
	5	8E-5608	1	SEAL GP					
	6	8E-5602	1	ROLLER AS					
	7	8E-6793	1	BEARING					
	8	8E-6792	1	BEARING					
	9	6V-7661	1	SEAL-O-RING (ID=69.40mm)					
	10	8E-5606	1	RETAINER					

H67131E 03

8E-5600 ROLLER GP-TRACK CARRIER

Part of 7Y-1607-Page220,7Y-1608-Page221

FRAME AND BODY



NOTE	No.	PART No.	QTY	PART NAME	NOTE	No.	PART No.	QTY	PART NAME
	1	9W-3138	48	LINK					
	2	095-0863	1	COTTER					
	3	8E-8586	1	LINK					
	4	190-3524	1	BUSHING					
	5	8E-8585	1	LINK					
	6	188-3064	1	PIN					
	7	158-4381	2	SEAL					
	8	9W-3137	48	LINK					
	9	6Y-8186	48	PIN					
	10	158-4380	96	SEAL					
	11	190-3523	48	BUSHING					

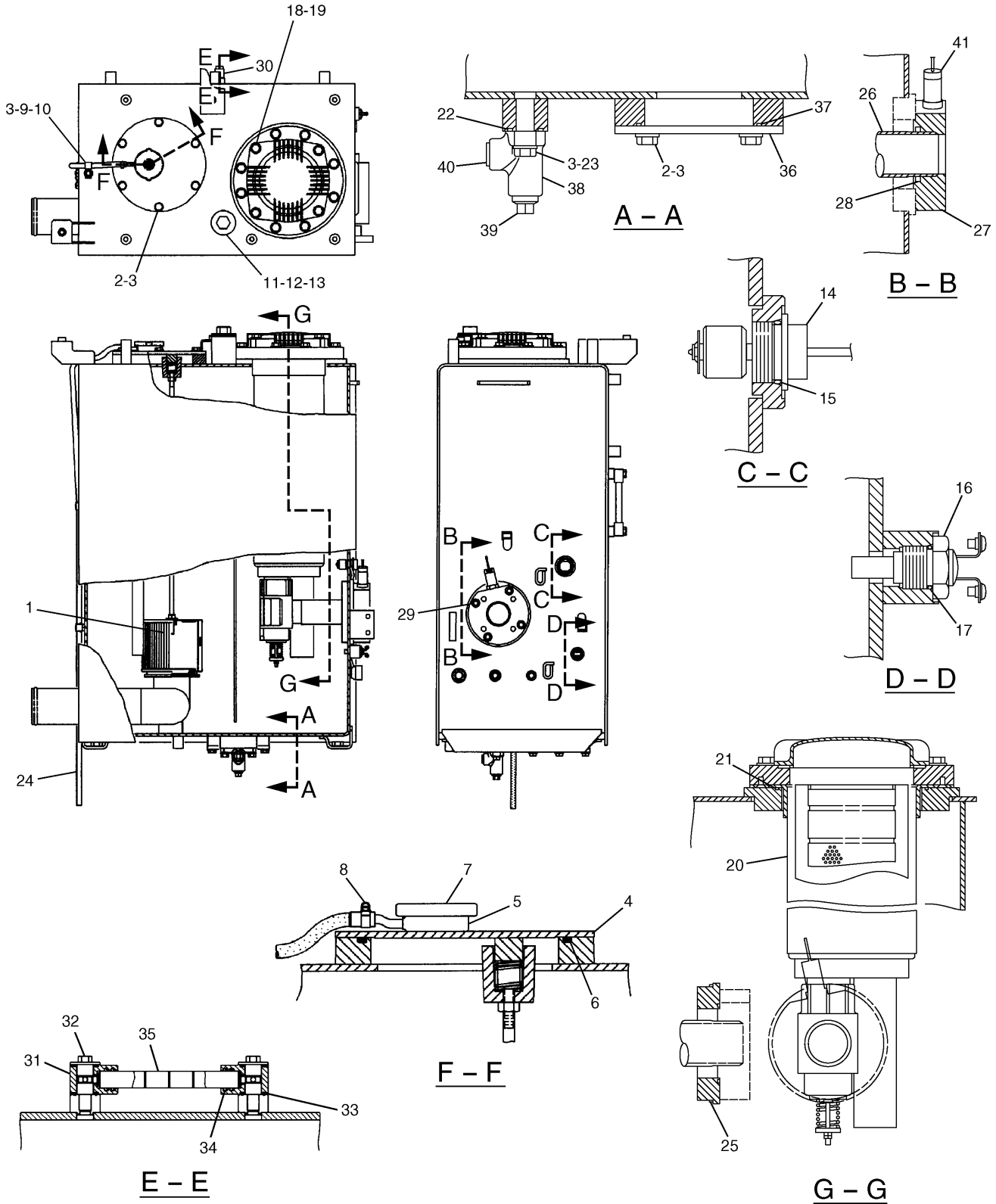
H74591E 00

194-1608 LINK AS-TRACK

Grease Lubricated
S/N GAB 1-Up

Part of 194-1912-Page226,194-1914,194-1915-Page229,194-1910,194-1911-Page230,196-1795-Page231

HYDRAULIC SYSTEM



H86119E 06

187-6776 TANK & FILTER GP-HYDRAULIC
 S/N FBB (T03.08)-Up, GAB (T03.08)-Up
 Part of 187-6775-Page237
 170-9419-Page163,173-3435-Page242,188-4145-Page259

HYDRAULIC SYSTEM

NOTE	No.	PART No.	QTY	PART NAME	NOTE	No.	PART No.	QTY	PART NAME
	1	300-9715	1	BODY AS		35	099-3671	1	SPRING
	2	094-1882	13	PLUG		36	3D-2891	1	BALL
	3	9S-4191	1	PLUG		37	200-3244	1	SPRING
	4	3J-1907	2	SEAL-O-RING (ID=11.89mm)		38	200-3245	1	SPRING
	5	6V-8200	6	BOLT (L=35mm)		39	273-8318	1	SEAL-O-RING (ID=38.70mm)
	6	234-4453	1	COVER		40	273-8317	1	SEAL-O-RING (ID=24.70mm)
	7	173-3413	1	COVER		41	200-3255	1	NUT
	8	8T-4196	2	BOLT (L=35mm)		42	301-8294	1	ADJUSTER
	9	234-4452	1	COVER		43	094-1875	1	DOWEL
	10	8T-4136	2	BOLT (L=25mm)		44	8T-4133	1	NUT
	11	173-3398	1	COVER		45	301-6874	1	RETAINER
	12	7I-2272	2	BOLT (L=12mm)		46	273-8316	1	SEAL-O-RING (ID=15.80mm)
Y	13	111-9916	1	VALVE GP		47	185-0169	1	GUIDE
	14	225-4607	2	SETSCREW					
	15	8T-4131	2	NUT					
	16	215-9962	1	STOPPER					
	17	095-1788	1	RING					
	18	190-7674	1	SEAL-O-RING (ID=23.70mm)					
	19	8T-4223	6	WASHER					
	20	173-3384	1	PISTON					
	21	190-7673	1	SEAL-O-RING (ID=37.70mm)					
	22	153-8623	1	RING					
	23	215-9961	1	STOPPER					
	24	285-4470	1	SEAL-O-RING (ID=151.99mm)					
	25	185-0201	1	PIN AS					
	26	129-7978	1	DOWEL					
	27	094-1881	1	PLATE					
	28	150-5797	1	PIN					
	29	191-5707	1	SPOOL AS					
	30	173-3397	1	LEVER					
	31	273-8319	1	SEAL-O-RING (ID=25.70mm)					
B	32	099-3669	2	SHIM (T=1.00mm)					
B		099-6109	2	SHIM (T=1.05mm)					
B		099-6110	2	SHIM (T=1.10mm)					
B		099-6111	2	SHIM (T=1.15mm)					
B		099-6112	2	SHIM (T=1.20mm)					
B		099-6113	2	SHIM (T=1.25mm)					
B		099-6115	2	SHIM (T=1.30mm)					
B		099-6117	2	SHIM (T=1.35mm)					
B		099-6118	2	SHIM (T=1.40mm)					
B		099-6119	2	SHIM (T=1.45mm)					
B		099-6120	2	SHIM (T=1.50mm)					
B		099-6121	2	SHIM (T=1.55mm)					
B		099-6122	2	SHIM (T=1.60mm)					
B		099-6123	2	SHIM (T=1.65mm)					
B		099-6124	2	SHIM (T=1.70mm)					
B		099-6125	2	SHIM (T=1.75mm)					
B		099-6126	2	SHIM (T=1.80mm)					
B		099-6127	2	SHIM (T=1.85mm)					
B		099-6128	2	SHIM (T=1.90mm)					
B		099-3670	2	SHIM (T=1.95mm)					
	33	200-3246	1	SPRING					
	34	189-9763	3	SEAL-O-RING (ID=9.80mm)					

B—USE AS REQUIRED

Y—SEE SEPARATE ILLUSTRATION

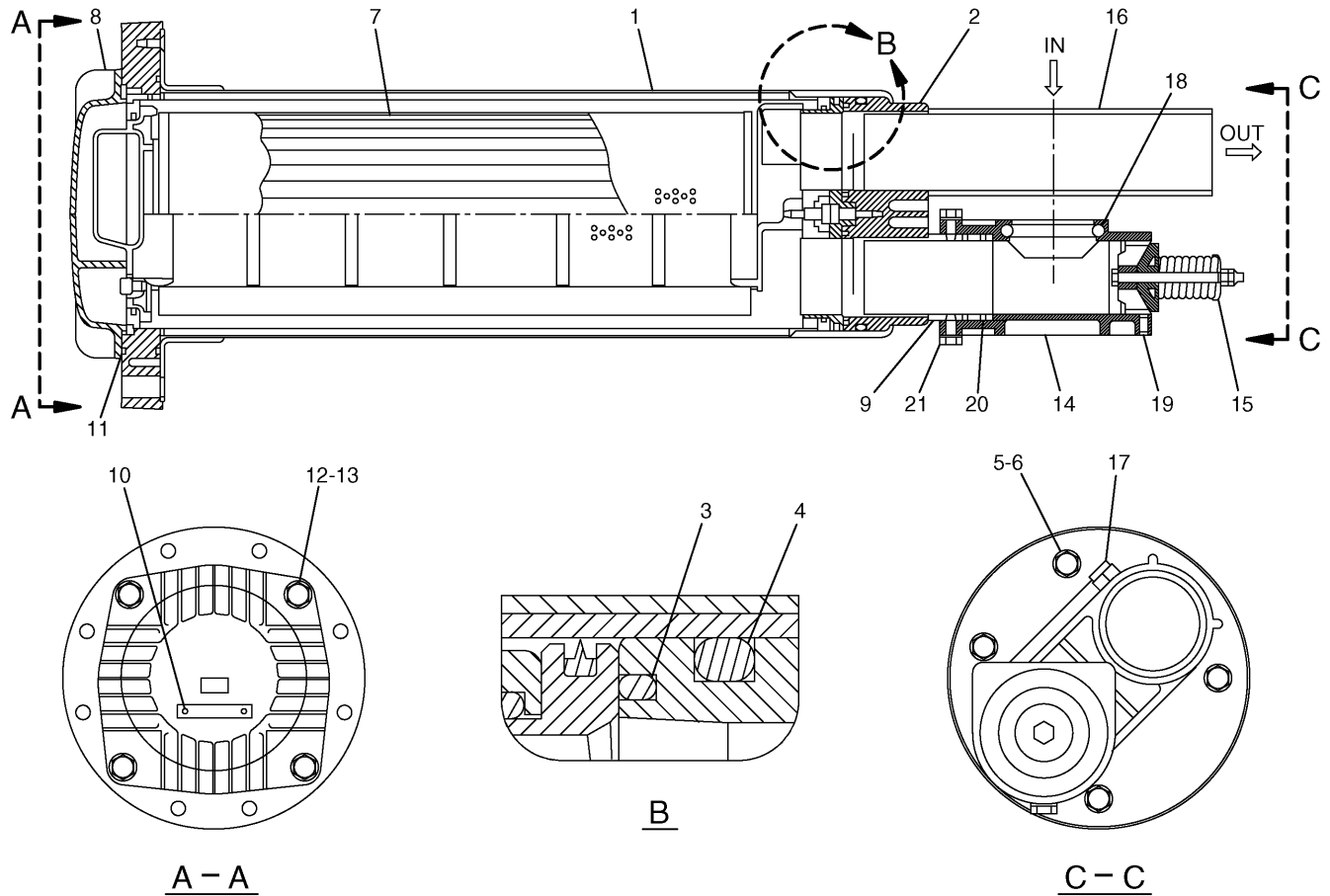
H96875E 15

204-2683 HEAD GP-PUMP CONTROL

Part of 244-8483-Page247

111-9916-Page464

HYDRAULIC SYSTEM



NOTE	No.	PART No.	QTY	PART NAME	NOTE	No.	PART No.	QTY	PART NAME
Y	1	177-2620	1	HOUSING GP		21	187-7171	2	BOLT (L=14mm)
Y	2	177-2617	1	BLOCK GP					
	3	177-2625	1	PACKING					
	4	095-1682	1	SEAL-O-RING (ID=149.30mm)					
	5	8T-4189	4	BOLT (L=20mm)					
	6	8T-4224	4	WASHER					
Y	7	173-3511	1	FILTER GP					
	8	173-3510	1	COVER					
	9	175-6175	1	PIPE					
	10	116-3522	2	SCREW					
	11	123-2003	1	SEAL-O-RING (ID=185.00mm)					
	12	8T-4184	4	BOLT (L=45mm)					
	13	8T-4223	4	WASHER					
	14	175-6178	1	HOUSING					
	15	177-2623	1	VALVE AS					
	16	175-6174	1	PIPE					
	17	8T-4970	2	BOLT (L=14mm)					
	18	175-6176	1	SEAL-O-RING (ID=56.00mm)					
	19	6V-8932	1	SCREW					
	20	095-1663	2	SEAL-O-RING (ID=54.40mm)					

Y-SEE SEPARATE ILLUSTRATION

H77432E 03

173-3434 FILTER GP-HYDRAULIC
 S/N FBB 1-01192, GAB 1-00291
 Part of 175-6006-Page239
 173-3511-Page260,177-2617-Page262,177-2620-Page263

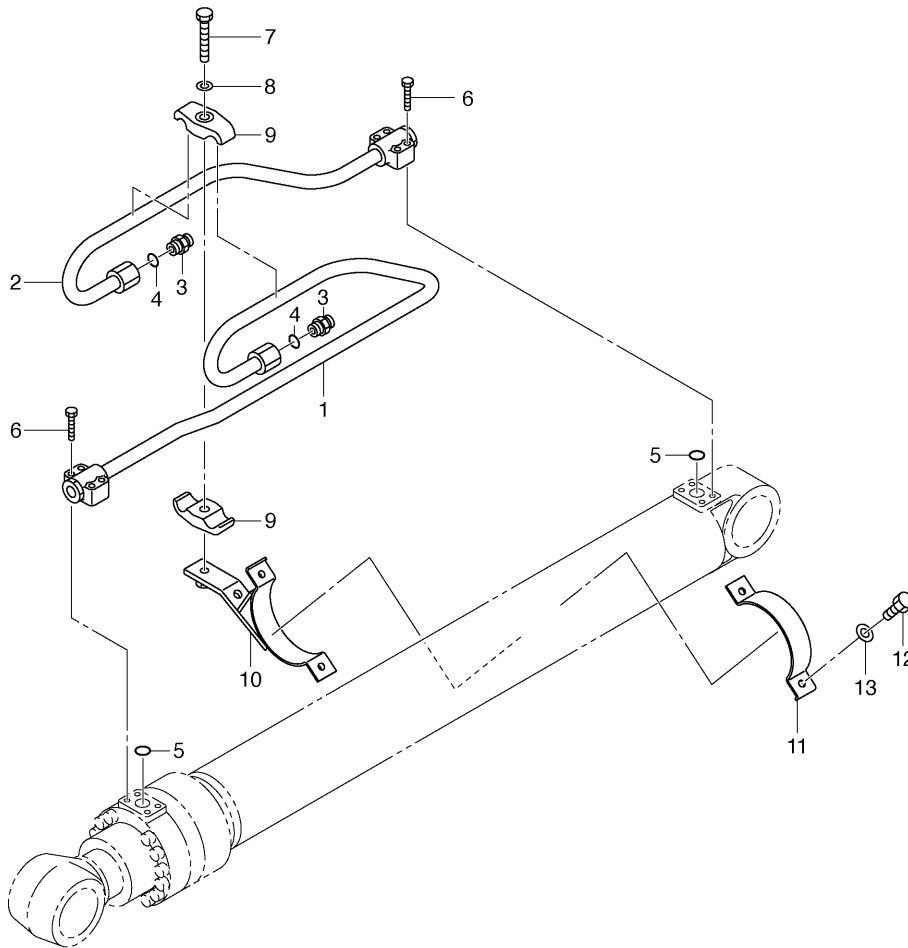
HYDRAULIC SYSTEM

NOTE	No.	PART No.	QTY	PART NAME	NOTE	No.	PART No.	QTY	PART NAME
J	1	121-1611	1	SEAL					
J	2	096-1568	1	RING					
J	3	096-1567	1	SEAL					
J	4	204-3622	1	SEAL					
	5	096-4402	1	BEARING					
	6	094-0747	1	RING					
	7	185-0334	1	HEAD					
	8	8T-1447	12	BOLT (L=70mm)					
J	9	096-3964	1	RING					
J	10	095-1717	1	SEAL-O-RING (ID=114.40mm)					
	11	177-2575	1	ROD AS					
		163-3746	1	BEARING					
	12	177-2574	1	CYLINDER AS					
		163-3753	1	BEARING					
	13	41-8864	1	STOP					
J	14	126-1935	1	RING					
	15	41-3614	1	PISTON					
J	16	41-3615	2	RING					
J	17	096-7803	1	SEAL AS					
J	18	247-8865	2	RING					
J	19	086-0255	2	RING					
J	20	096-4408	1	SHIM (T=0.30mm)					
	21	096-3216	1	SETSCREW					
	22	096-3891	1	BALL					
	23	177-2572	1	LOCKNUT					
	24	177-2573	2	SEAL					
	25	3B-8489	1	FITTING					
	26	166-1494	2	SEAL					
				THE FOLLOWING REPAIR KIT IS AVAILABLE:					
		247-8998	1	SEAL KIT (INCLUDES PARTS MARKED J)					

H90832E 01

204-3614 CYLINDER & SEAL GP-BOOM
 Part of 158-8989,158-8990-Page264
 An Attachment

HYDRAULIC SYSTEM

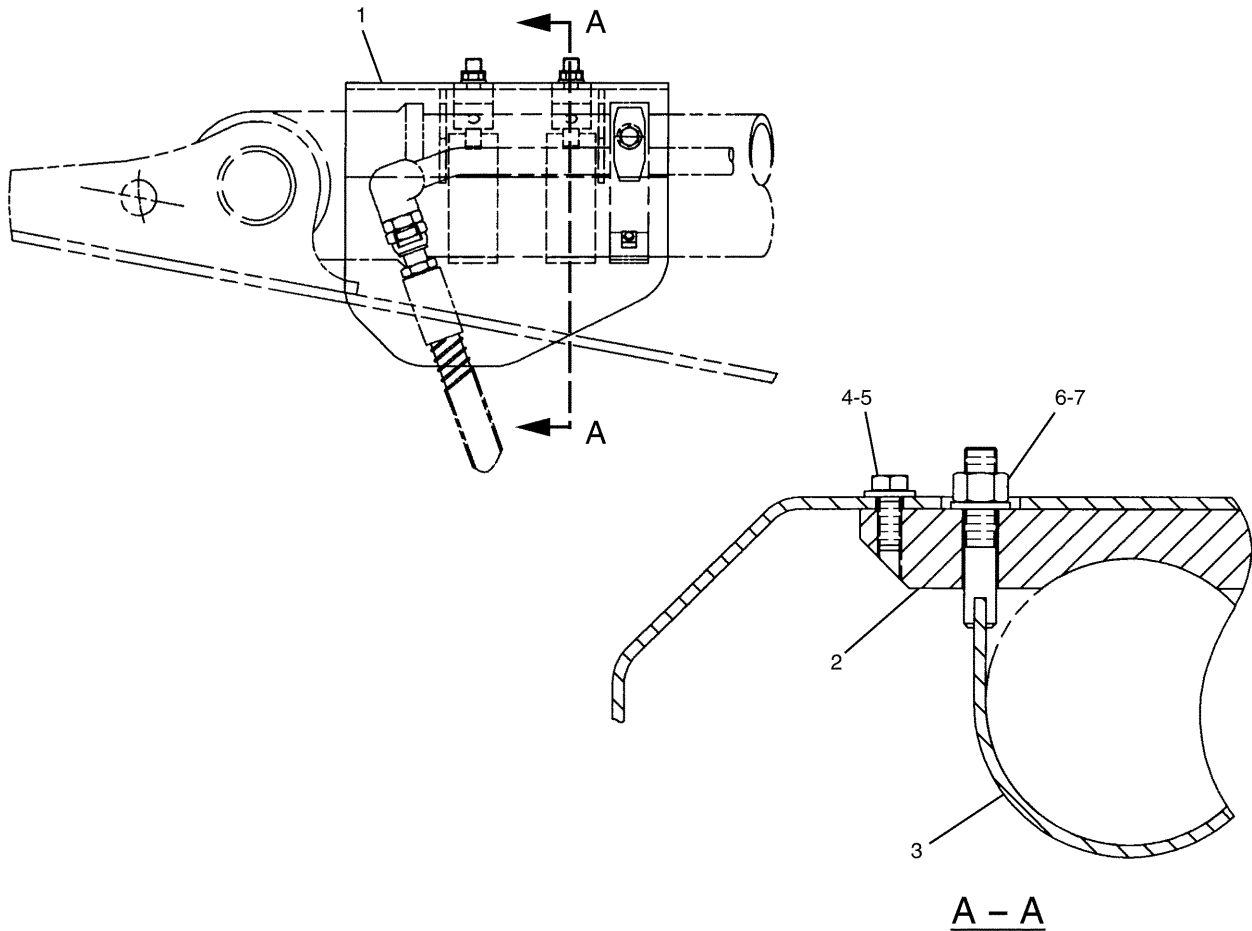


NOTE	No.	PART No.	QTY	PART NAME	NOTE	No.	PART No.	QTY	PART NAME
	1	41-3618	1	TUBE AS					
	2	41-3619	1	TUBE AS					
	3	086-2746	2	CONNECTOR					
	4	095-1592	2	SEAL-O-RING (ID=23.70mm)					
	5	095-1597	2	SEAL-O-RING (ID=29.70mm)					
	6	8T-1160	8	BOLT (L=50mm)					
	7	8T-3653	1	BOLT (L=80mm)					
	8	3B-4509	1	LOCKWASHER					
	9	094-1920	2	CLAMP					
	10	137-3709	1	SUPPORT AS					
	11	41-3621	1	SUPPORT					
	12	8T-4196	2	BOLT (L=35mm)					
	13	095-9397	2	LOCKWASHER					

H53084E 02

118-3949 LINES GP-BOOM CYLINDER
 Left Hand
 S/N FBB 1-(T02.12), GAB 1-(T02.12)
 Part of 158-8989-Page264
 An Attachment

HYDRAULIC SYSTEM

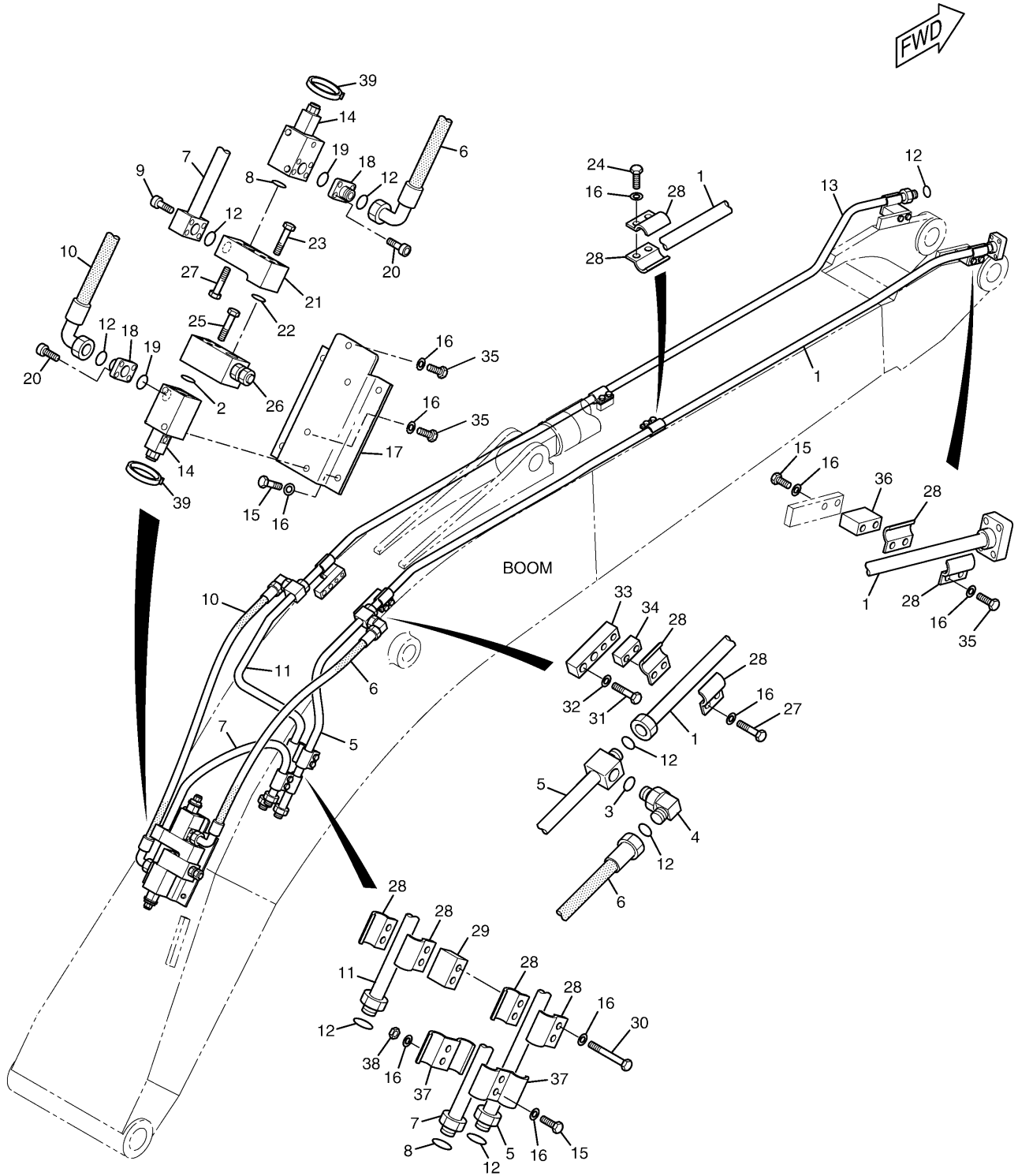


NOTE	No.	PART No.	QTY	PART NAME	NOTE	No.	PART No.	QTY	PART NAME
	1	191-3229	1	GUARD AS					
	2	191-3225	2	SUPPORT					
	3	191-3217	2	SUPPORT AS					
	4	8T-4139	4	BOLT (L=30mm)					
	5	8T-4223	4	WASHER					
	6	9X-8257	4	WASHER					
	7	8T-4132	4	NUT					

H76274E 01

126-2170 GUARD GP-CYLINDER
An Attachment

HYDRAULIC SYSTEM



H91537E 06

173-7919 LINES GP-AUXILIARY HYDRAULIC
215-4890-Page450,177-2653-Page467
An Attachment

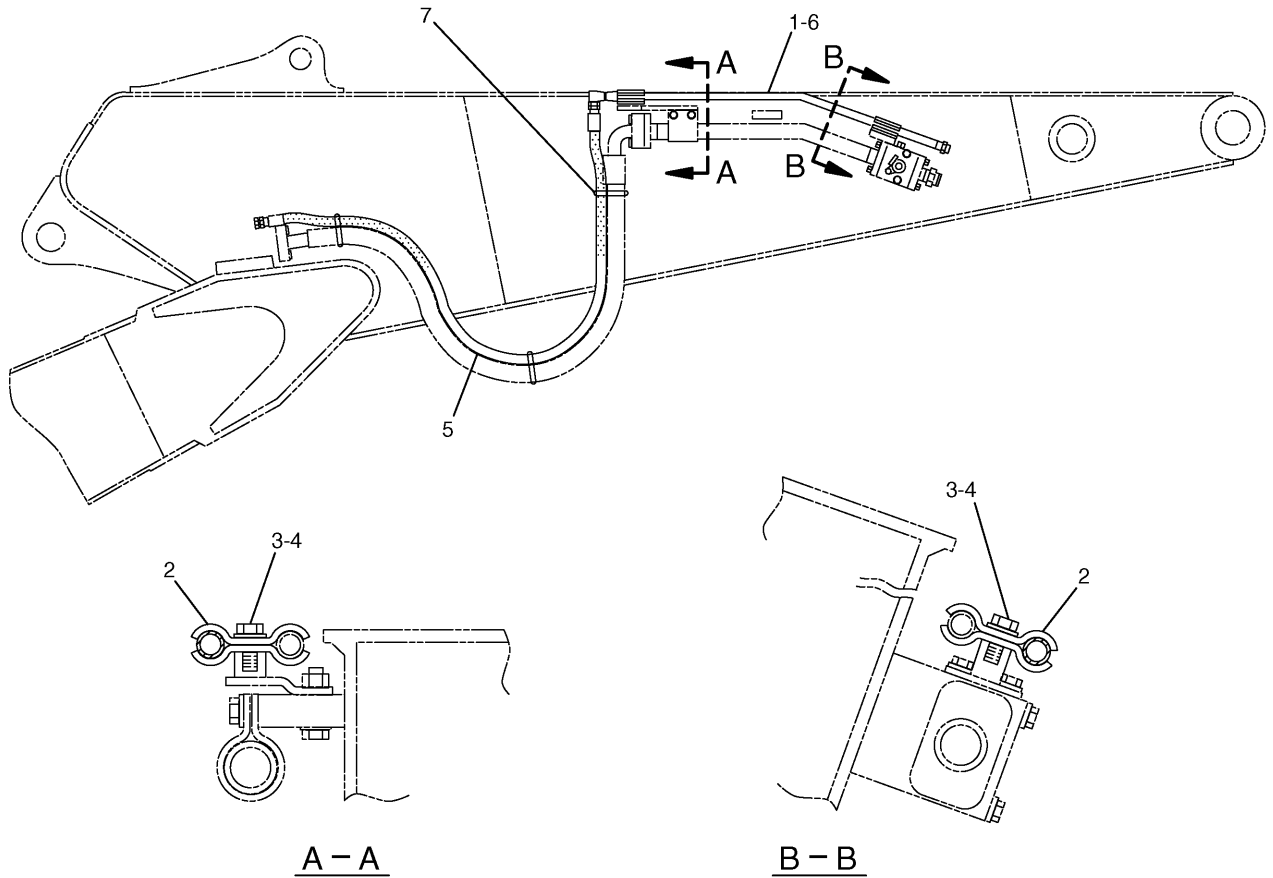
HYDRAULIC SYSTEM

NOTE	No.	PART No.	QTY	PART NAME	NOTE	No.	PART No.	QTY	PART NAME
	1	179-5033	2	TUBE AS					
	2	173-7864	2	HOSE AS					
	3	8T-4121	4	WASHER					
	4	6K-0806	6	STRAP					
	5	173-7872	2	SUPPORT AS					
	6	173-7875	1	SUPPORT AS					
	7	173-7877	1	SUPPORT AS					
	8	6V-8398	4	SEAL-O-RING (OD=16.03mm)					
	9	8T-4223	12	WASHER					
	10	149-1738	8	CLIP					
	11	8T-4139	8	BOLT (L=30mm)					
	12	8T-4194	4	BOLT (L=50mm)					
	13	8T-4137	4	BOLT (L=20mm)					

H77766E 02

173-7948 LINES GP-AUXILIARY HYDRAULIC
An Attachment

HYDRAULIC SYSTEM



NOTE	No.	PART No.	QTY	PART NAME	NOTE	No.	PART No.	QTY	PART NAME
	1	179-5033	1	TUBE AS					
	2	153-8867	4	CLIP					
	3	8T-4223	4	WASHER					
	4	8T-4139	4	BOLT (L=30mm)					
	5	173-7864	1	HOSE AS					
	6	6V-8398	2	SEAL-O-RING (OD=16.03mm)					
	7	6K-0806	3	STRAP					

H76304E 01

173-7954 LINES GP-DRAIN
An Attachment

CLICK HERE TO **DOWNLOAD** THE COMPLETE MANUAL

- Thank you very much for reading the preview of the manual.
- You can download the complete manual from: www.heydownloads.com by clicking the link below



- Please note: If there is no response to CLICKING the link, please download this PDF first and then click on it.

CLICK HERE TO **DOWNLOAD** THE COMPLETE MANUAL

HYDRAULIC SYSTEM

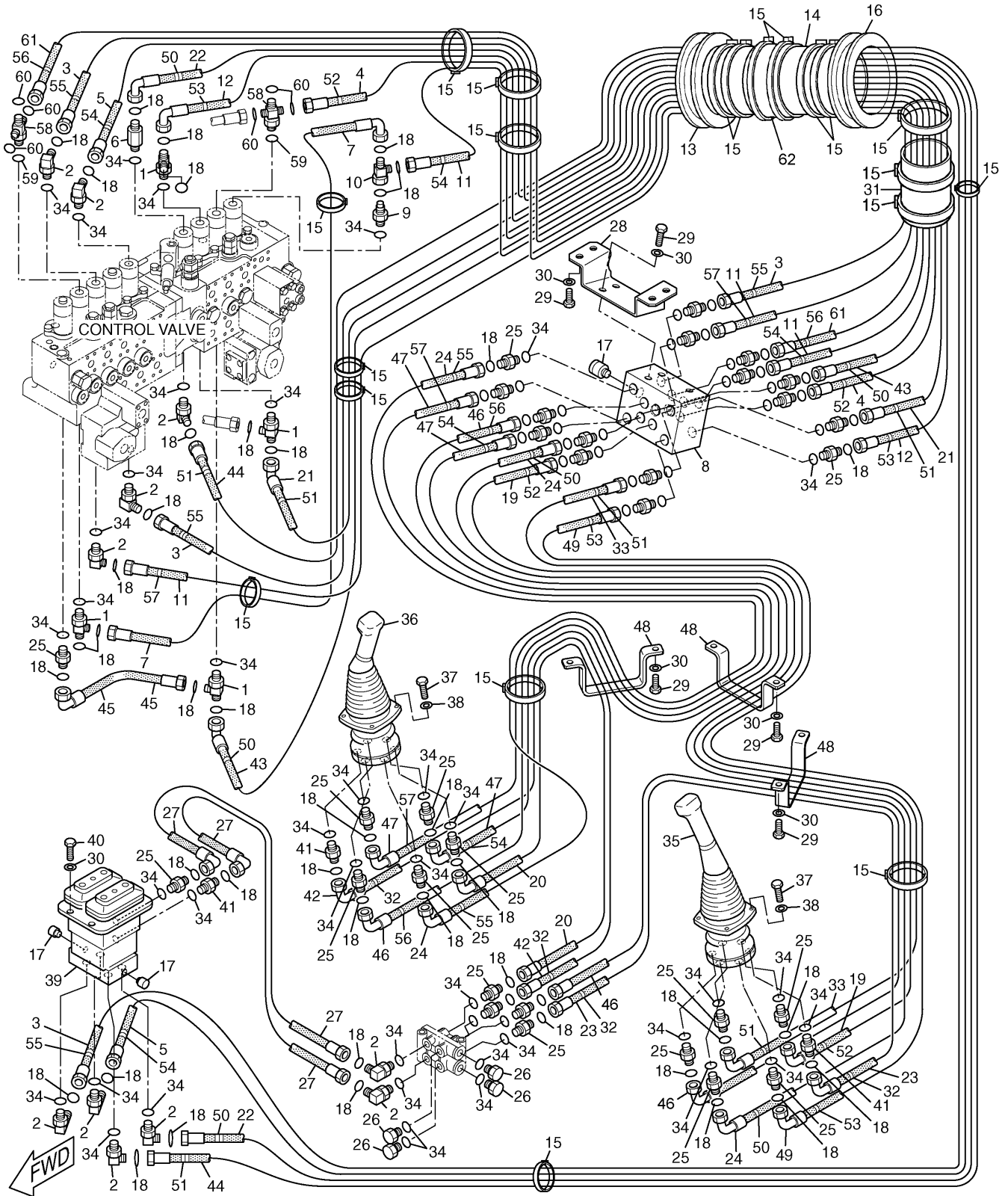
NOTE	No.	PART No.	QTY	PART NAME	NOTE	No.	PART No.	QTY	PART NAME
	1	175-6113	2	HOSE AS					
	2	6V-0400	24	FLANGE					
	3	1P-3703	12	SEAL					
	4	8T-4184	48	BOLT (L=45mm)					
	5	8T-4223	48	WASHER					
	6	7K-1181	2	STRAP					
	7	178-5983	1	HOSE AS					
	8	7Y-3730	4	FLANGE					
	9	4J-5267	4	SEAL-O-RING (ID=24.99mm)					
	10	5K-9090	4	SEAL-O-RING (OD=27.22mm)					
	11	9X-6032	16	BOLT (L=30mm)					
	12	8T-4136	6	BOLT (L=25mm)					
	13	8T-4121	6	WASHER					
B	14	1U-8846		GASKET MAKER···(2ml)					
Y	15	159-7841	1	SWIVEL GP					
	16	8T-4648	2	BOLT (L=70mm)					
	17	5P-1076	2	WASHER					
	18	178-6030	1	SUPPORT					
	19	4I-7745	1	CONNECTOR					
	20	6V-9844	1	TEE					
	21	173-4675	2	HOSE AS					
	22	6V-8724	2	ELBOW					
	23	6V-8625	2	ELBOW					
	24	7I-8252	2	HOSE AS					
	25	108-7118	4	GROMMET					
	26	6V-8774	1	TEE					
	27	096-0061	4	STRAP					
	28	119-2395	4	HOSE AS					
	29	3K-0360	2	SEAL-O-RING (ID=16.36mm)					
	30	6V-8398	5	SEAL-O-RING (OD=16.03mm)					
	31	3J-1907	3	SEAL-O-RING (ID=11.89mm)					
	32	6V-8397	4	SEAL-O-RING (OD=12.83mm)					
	33	3D-2824	1	SEAL-O-RING (ID=23.47mm)					
	34	178-5987	1	HOSE AS					
	35	7M-8485	1	SEAL-O-RING (ID=29.74mm)					
	36	9S-4181	1	PLUG					
	37	178-5978	1	BLOCK					
	38	1P-3704	2	SEAL					
	39	8T-4176	8	BOLT (L=90mm)					

B—USE AS REQUIRED
Y—SEE SEPARATE ILLUSTRATION

H76462E 03

175-6000 LINES GP-TRAVEL MOTOR
S/N FBB 1-Up
159-7841-Page390

HYDRAULIC SYSTEM



H91432E 10

175-6003 LINES GP-PILOT

206-3304-Page392,206-3303-Page393,158-8250-Page458,185-0462-Page477

HYDRAULIC SYSTEM

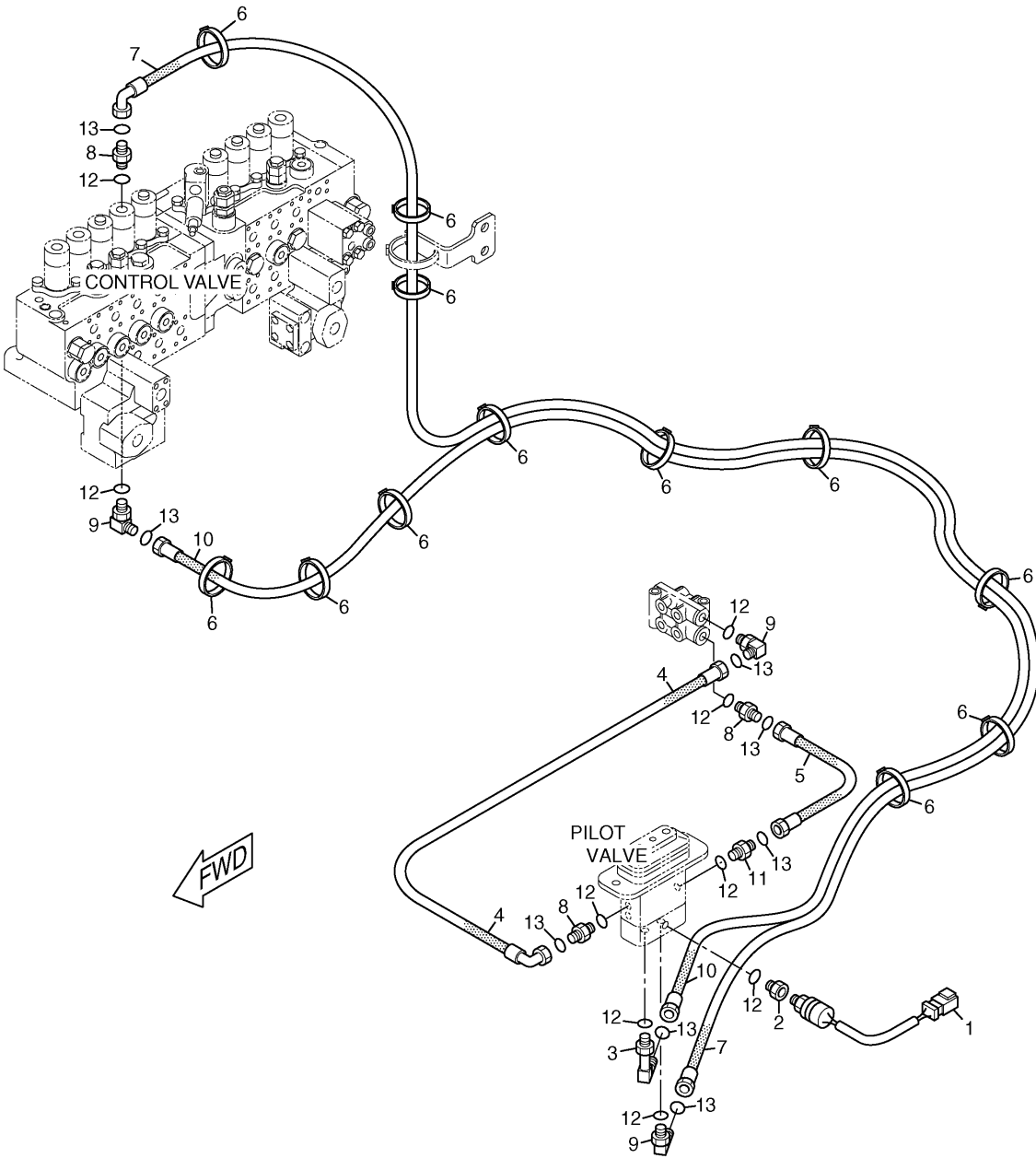
NOTE	No.	PART No.	QTY	PART NAME	NOTE	No.	PART No.	QTY	PART NAME
	1	108-7396	1	HOSE AS (NOM 08, L=3600mm)		54	178-5914	1	HOSE AS (NOM 08, L=2800mm)
	2	207-6641	1	HOSE AS (NOM 08, L=2570mm)	E		71-1024		GUARD···(275cm)
	3	087-5764	1	HOSE AS (NOM 06, L=1550mm)	Y	55	123-2430	1	VALVE GP
	4	8T-0075	1	CONNECTOR		56	099-3649	2	BOLT (L=40mm)
	5	6V-9850	4	ELBOW	Y	57	215-5037	1	VALVE GP
	6	087-4503	1	HOSE AS (NOM 06, L=850mm)		58	7K-1181	9	STRAP
	7	4I-0800	4	HOSE AS (NOM 06, L=1300mm)		59	4I-9526	4	BAND (R2,WHITE)
	8	115-3793	1	HOSE AS (NOM 08, L=1100mm)		60	4I-9523	4	BAND (L3,BLUE)
	9	6V-8625	3	ELBOW		61	8T-1905	1	ELBOW
	10	6V-8636	10	CONNECTOR					
	11	3J-1907	28	SEAL-O-RING (ID=11.89mm)					
	12	6V-8724	7	ELBOW					
	13	115-3667	1	HOSE AS (NOM 06, L=1100mm)					
	14	4I-0818	1	HOSE AS (NOM 06, L=820mm)					
	15	4I-1780	1	HOSE AS (NOM 06, L=1450mm)					
	16	6V-8781	3	TEE					
	17	8T-4198	2	BOLT (L=100mm)					
	18	168-9759	1	BLOCK					
	19	8T-5005	2	BOLT (L=70mm)					
Y	20	232-4102	1	VALVE GP					
	21	4I-9528	8	BAND (R4,PURPLE)					
	22	4I-9527	8	BAND (R3,GREEN)					
	23	4I-9525	6	BAND (R1,ORANGE)					
	24	4I-9524	6	BAND (L4,BROWN)					
	25	7Y-4199	1	HOSE AS (NOM 06, L=1800mm)					
	26	178-5958	1	HOSE AS (NOM 08, L=730mm)					
	27	115-8634	1	TEE					
	28	2M-9780	1	SEAL-O-RING (ID=19.18mm)					
	29	6V-8398	10	SEAL-O-RING (OD=16.03mm)					
	30	6V-8639	3	CONNECTOR					
	31	087-4531	1	HOSE AS (NOM 06, L=600mm)					
	32	6V-9001	3	ELBOW					
	33	087-4532	1	HOSE AS (NOM 06, L=900mm)					
	34	087-4441	1	HOSE AS (NOM 06, L=530mm)					
	35	4I-9522	6	BAND (L2,YELLOW)					
	36	6V-9746	1	SEAL-O-RING (OD=22.50mm)					
	37	3D-2824	1	SEAL-O-RING (ID=23.47mm)					
	38	214-4510	1	FITTING AS					
	39	6V-8398	1	SEAL-O-RING (OD=16.03mm)					
	40	8T-4223	3	WASHER					
	41	087-5771	2	HOSE AS (NOM 06, L=960mm)					
	42	5I-8825	1	HOSE AS (NOM 06, L=750mm)					
	43	178-5909	1	HOSE AS (NOM 06, L=900mm)					
	44	087-5758	2	HOSE AS (NOM 06, L=550mm)					
	45	4I-1760	1	HOSE AS (NOM 06, L=500mm)					
	46	6V-8782	1	TEE					
	47	087-4456	1	ACCUMULATOR GP					
	48	8T-4192	3	BOLT (L=25mm)					
	49	3K-0360	8	SEAL-O-RING (ID=16.36mm)					
	50	9S-4191	3	PLUG					
	51	6V-9836	1	TEE					
	52	6V-8397	37	SEAL-O-RING (OD=12.83mm)					
	53	104-8950	1	HOSE AS (NOM 06, L=1200mm)					

E—ORDER BY THE CENTIMETER
Y—SEE SEPARATE ILLUSTRATION

H96887E 21

175-6004 LINES GP-PILOT (1/2)
S/N FBB (T06.12)-Up, GAB (T06.12)-Up
215-5037-Page447.01,232-4102-Page448,123-2430-Page476

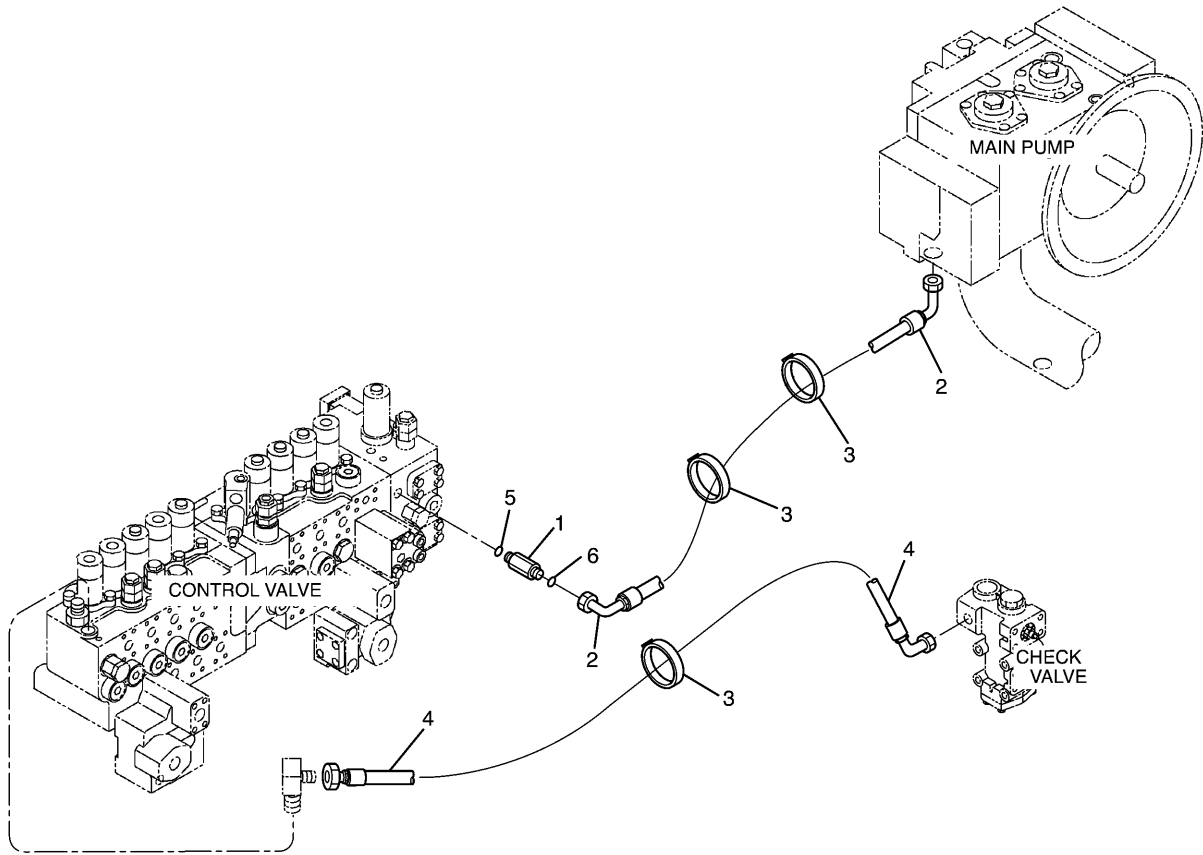
HYDRAULIC SYSTEM



H87899E 03

178-5972 LINES GP-PILOT
Part of 187-9826-Page323
An Attachment

HYDRAULIC SYSTEM

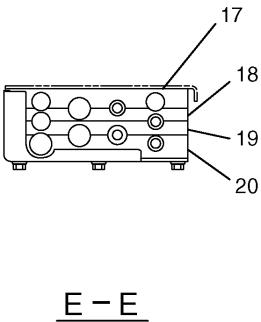
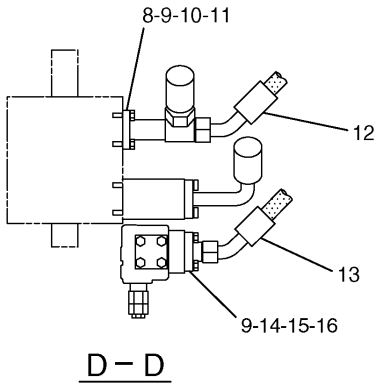
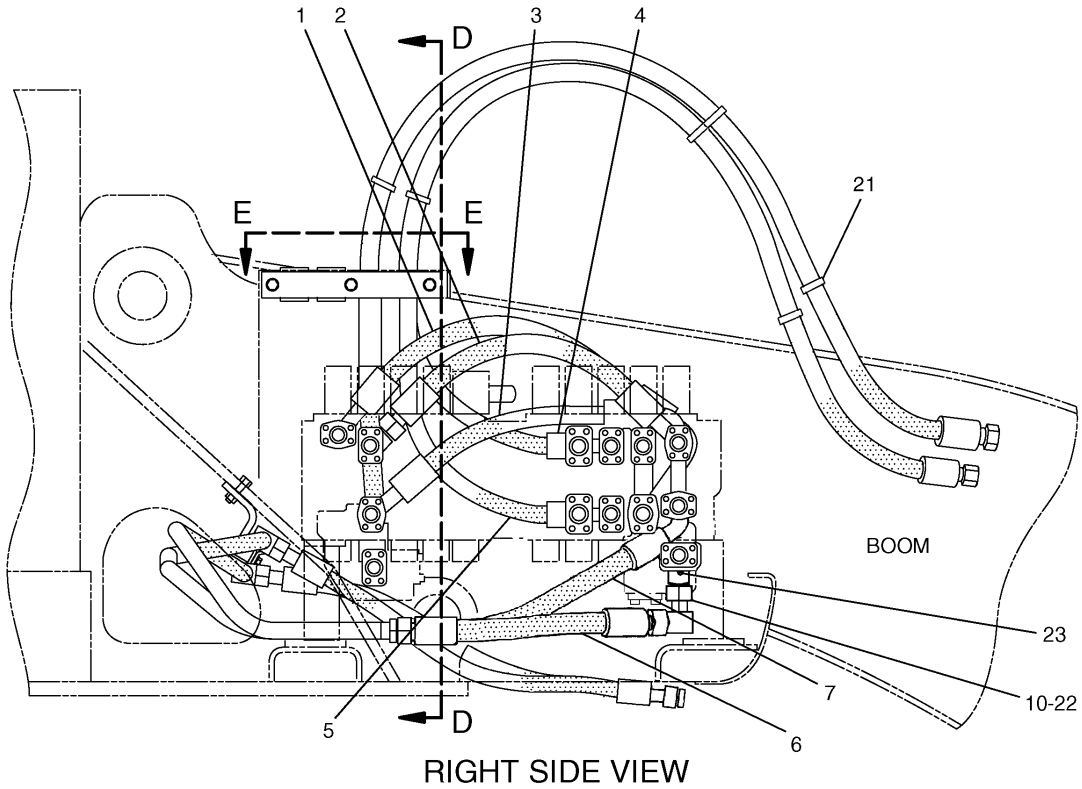


NOTE	No.	PART No.	QTY	PART NAME	NOTE	No.	PART No.	QTY	PART NAME
	1	8C-0597	1	CONNECTOR					
	2	178-6057	1	HOSE AS (NOM 06, L=2700mm)					
	3	7K-1181	3	STRAP					
	4	087-4480	1	HOSE AS (NOM 08, L=1200mm)					
	5	3J-1907	1	SEAL-O-RING (ID=11.89mm)					
	6	6V-8397	1	SEAL-O-RING (OD=12.83mm)					

H88275E 01

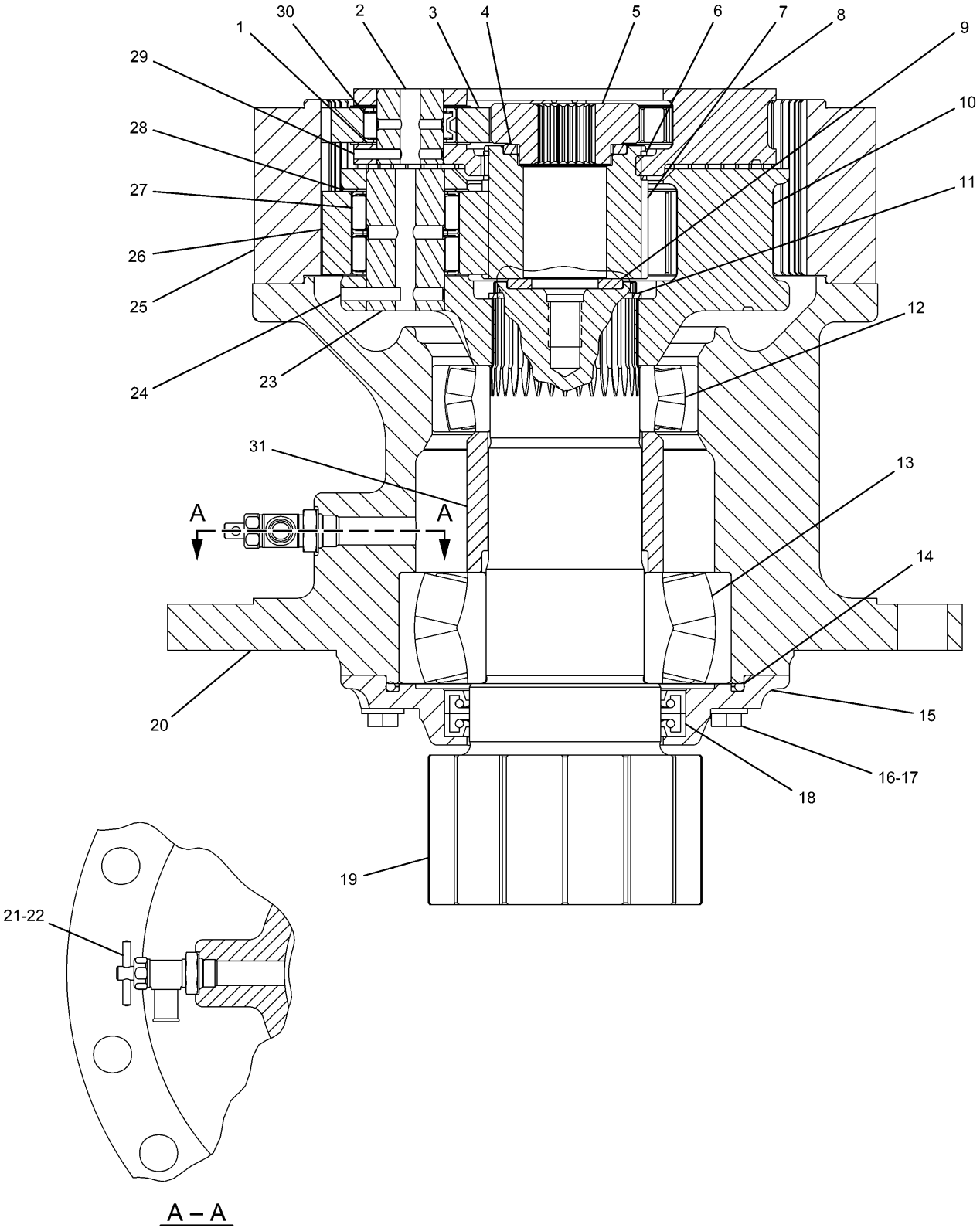
178-6036 LINES GP-PILOT
Part of 153-8825-Page325
An Attachment

HYDRAULIC SYSTEM



MEMORANDA

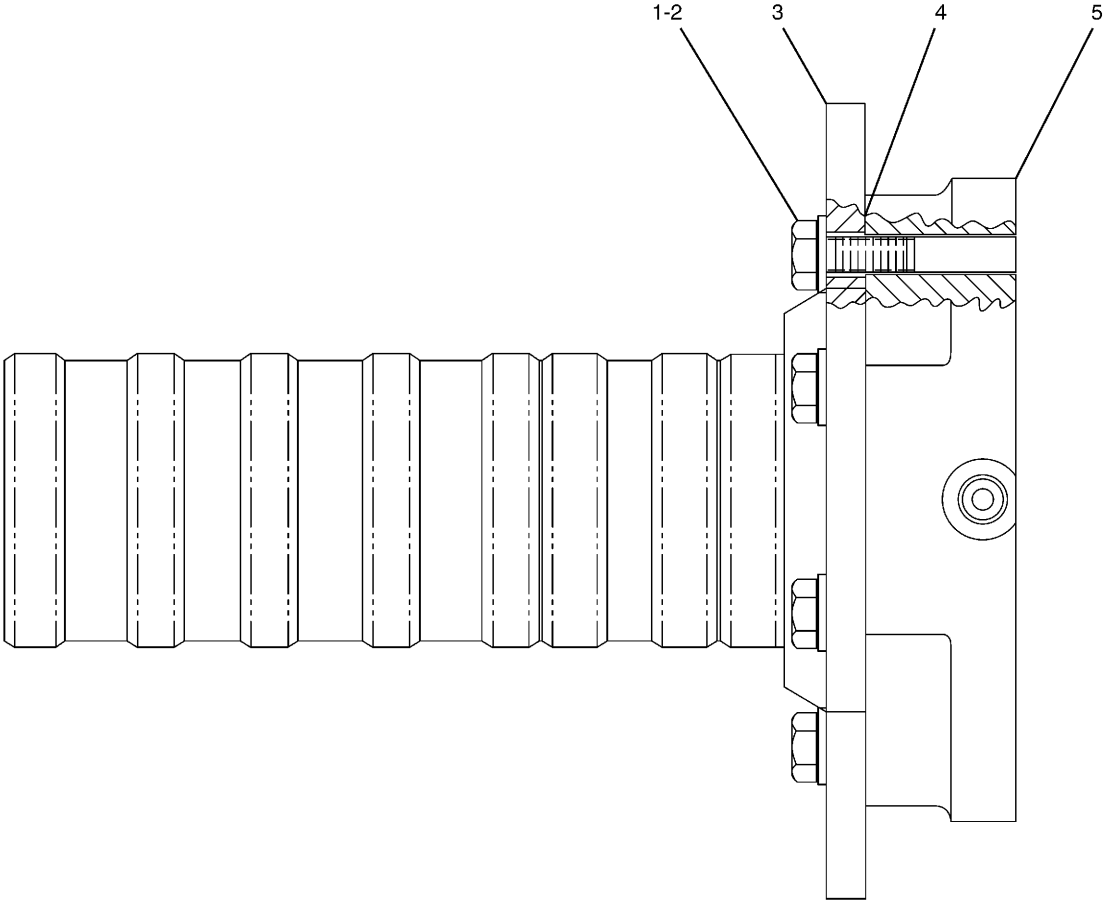
HYDRAULIC SYSTEM



H89998E 10

148-4644 DRIVE GP-SWING
Part of 171-9288-Page379

HYDRAULIC SYSTEM



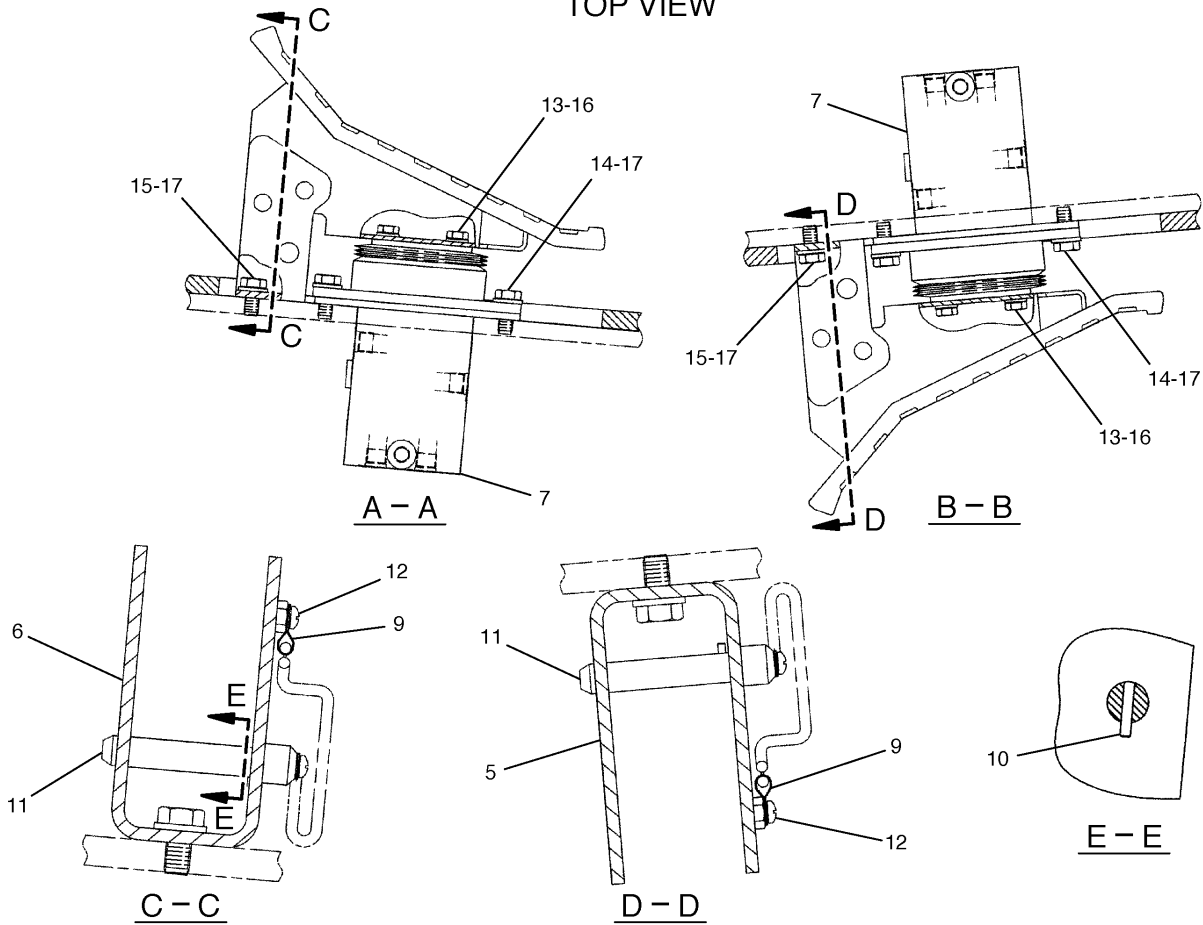
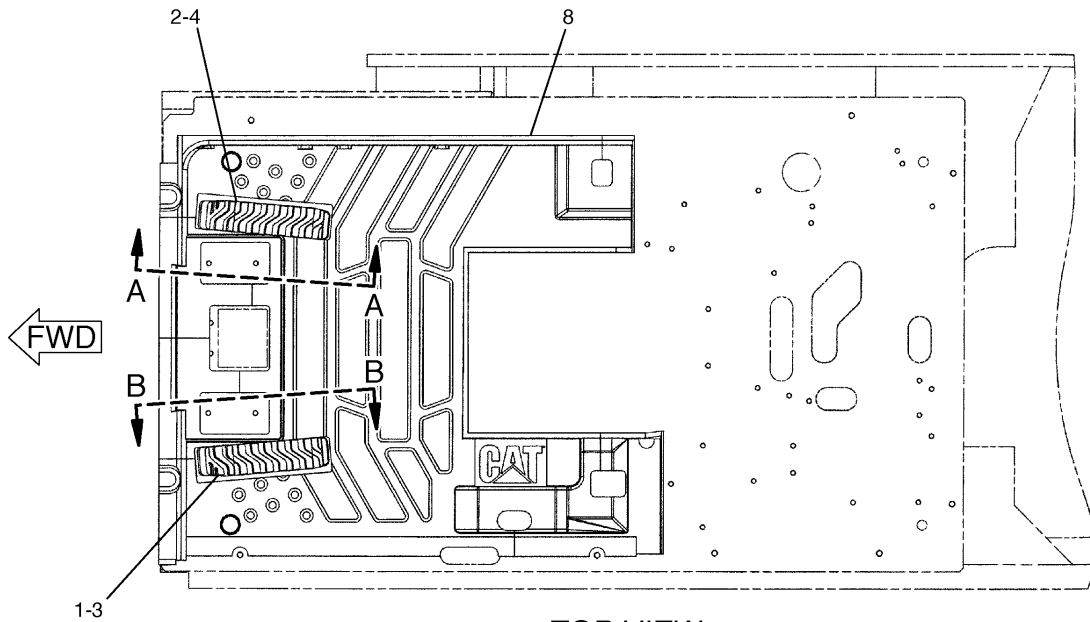
NOTE	No.	PART No.	QTY	PART NAME	NOTE	No.	PART No.	QTY	PART NAME
B	1	8 T-4 1 3 9	5	BOLT (L=30mm)					
	2	8 T-4 2 2 3	5	WASHER					
	3	7 Y-4 8 0 4	1	PLATE					
	4	1 U-8 8 4 6	1	GASKET MAKER... (2ml)					
	5	7 Y-4 8 0 3	1	ROTOR					

B-USE AS REQUIRED

H67277E 01

4I-6263 ROTOR GP-SWIVEL
Part of 159-7841-Page390

HYDRAULIC SYSTEM

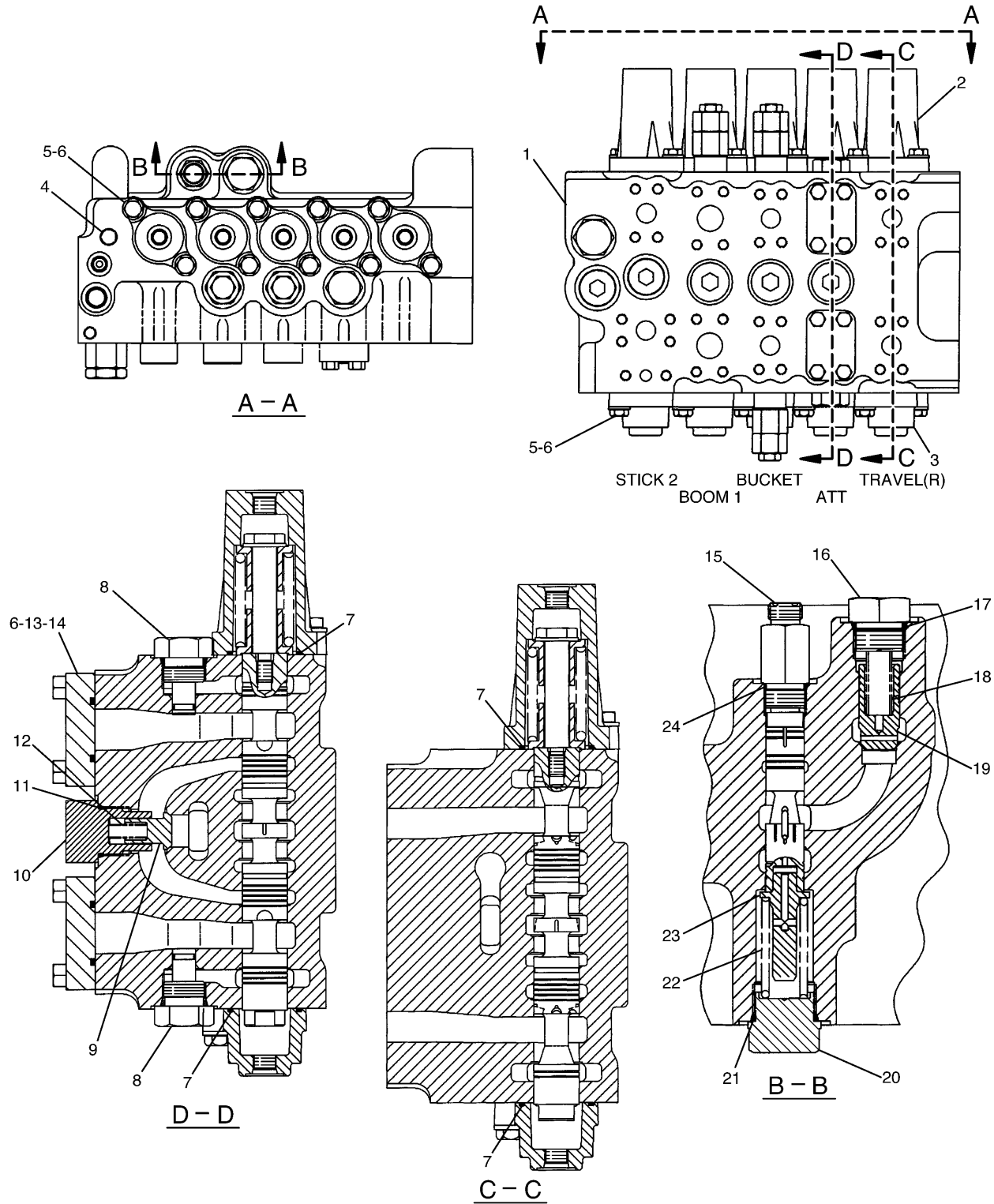


H78624E 03

179-4598 CONTROL GP-HYDRAULIC
 Part of 173-7972-Page323,153-8824-Page324,179-5143-Page326
 206-3336-Page460
 An Attachment

MEMORANDA

HYDRAULIC SYSTEM



H88325E 00

236-6351 VALVE GP-CONTROL (1/2)
 S/N FBB 1-01202, GAB 1-00291
 Part of 236-6350-Page409.02
 153-5126-Page418,6E-4816-Page435

HYDRAULIC SYSTEM

NOTE	No.	PART No.	QTY	PART NAME	NOTE	No.	PART No.	QTY	PART NAME
	1	6E-5643	2	VALVE					
	2	4T-3148	2	SPRING					
	3	6V-5597	5	SEAL-O-RING (ID=40.94mm)					
	4	153-5309	1	SLEEVE					
	5	9S-4188	1	PLUG					
	6	4K-1388	2	SEAL-O-RING (ID=26.59mm)					
	7	6V-5393	1	SEAL-O-RING (ID=36.17mm)					
	8	158-8207	1	STOPPER					
	9	6E-5169	1	SPRING					
	10	6E-5638	2	PLUG					
	11	6V-3922	2	SEAL-O-RING (ID=18.72mm)					
	12	4I-6397	2	RING					
	13	095-1603	1	SEAL-O-RING (ID=37.70mm)					
	14	103-8177	1	ADAPTER					
Y	15	171-0030	1	VALVE GP					
	16	6E-5731	1	VALVE					
	17	6E-5730	1	PLUG					
	18	7I-1248	1	SPRING					

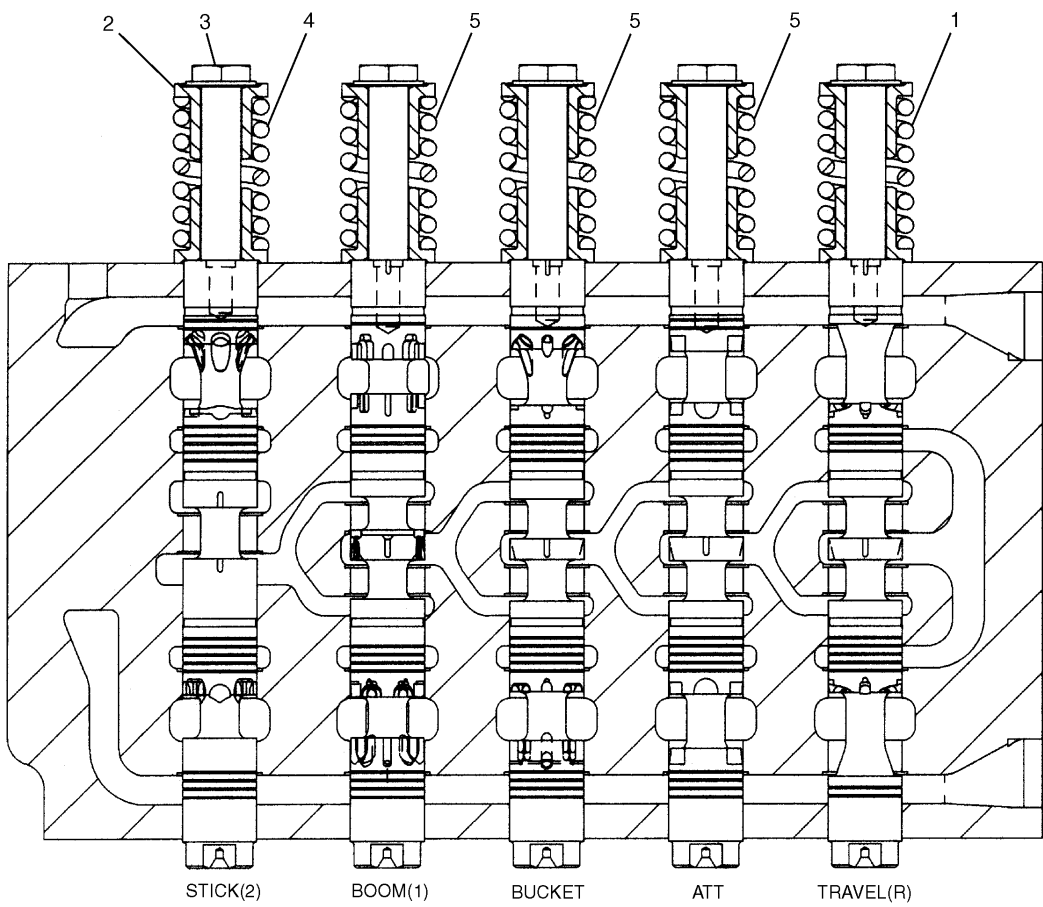
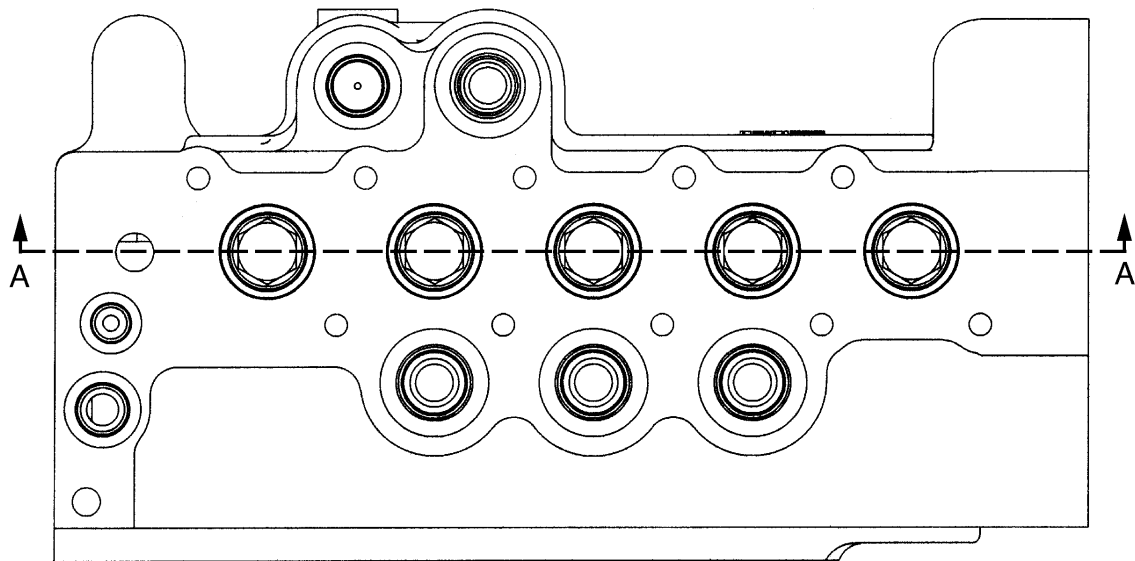
Y-SEE SEPARATE ILLUSTRATION

H88328E 07

158-8202 VALVE GP-CONTROL (2/2)

S/N FBB 1-01202, GAB 1-00291
Part of 236-6349-Page409
171-0030-Page469

HYDRAULIC SYSTEM



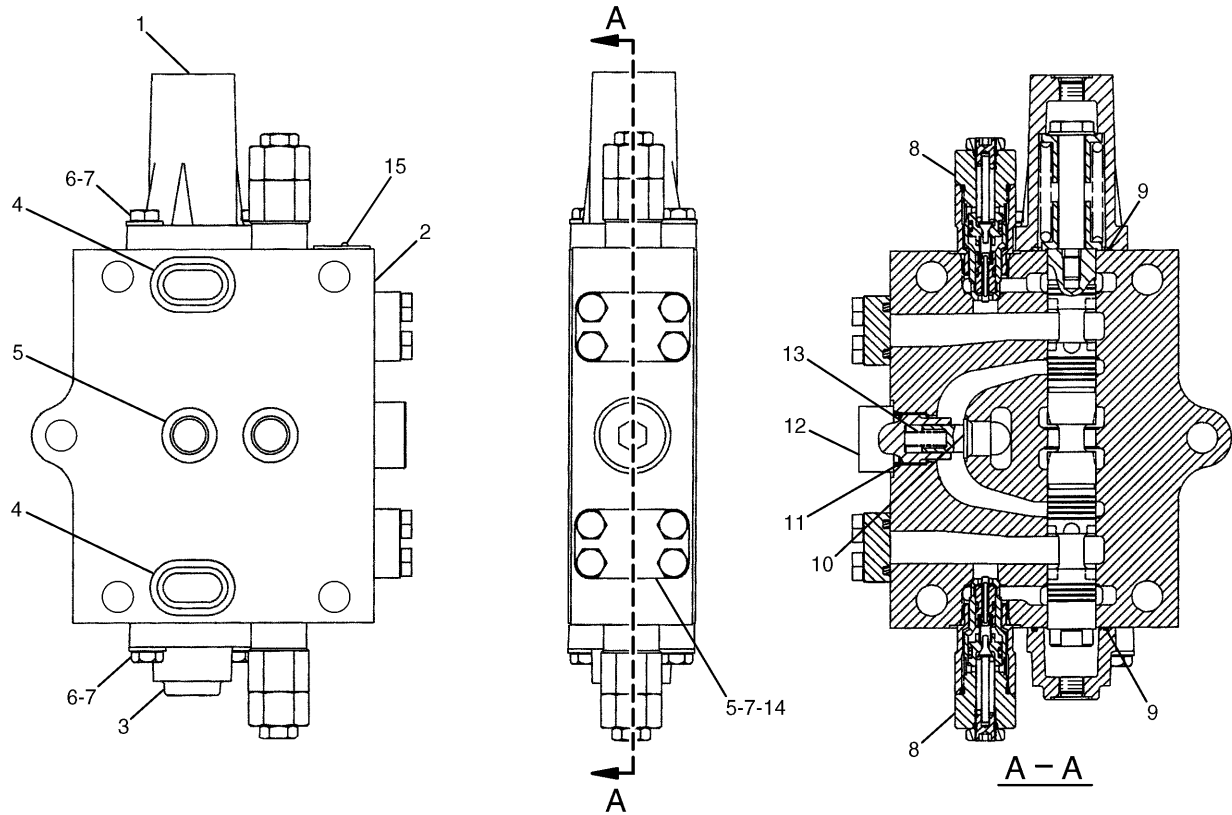
STICK(2) BOOM(1) BUCKET ATT TRAVEL(R)

A - A

H86065E 00

240-3021 VALVE GP-CONTROL
S/N FBB 01203-Up, GAB 00292-Up
Part of 250-2489-Page413.06

HYDRAULIC SYSTEM



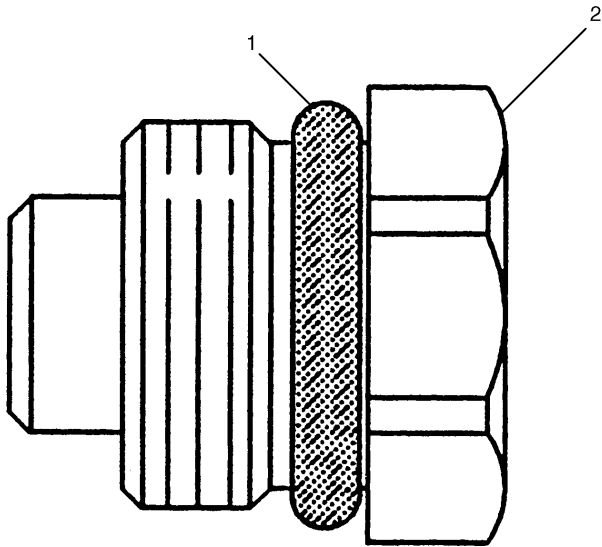
NOTE	No.	PART No.	QTY	PART NAME	NOTE	No.	PART No.	QTY	PART NAME
	1	158-8159	1	HOUSING					
	2	153-5242	1	VALVE GP					
	3	6E-2274	1	COVER					
	4	4J-8998	2	SEAL-O-RING (ID=36.09mm)					
	5	1P-3702	4	SEAL					
	6	8T-4121	4	WASHER					
	7	8T-4195	12	BOLT (L=30mm)					
Y	8	250-2508	2	VALVE GP					
	9	6V-5597	2	SEAL-O-RING (ID=40.94mm)					
	10	6E-5731	1	VALVE					
	11	4K-1388	1	SEAL-O-RING (ID=26.59mm)					
	12	6E-5730	1	PLUG					
	13	7I-1248	1	SPRING					
	14	171-0150	2	COVER					
	15	4B-4158	2	SCREW					

Y-SEE SEPARATE ILLUSTRATION

H91077E 02

171-0146 VALVE GP-CONTROL
 S/N FBB 1-(T05.05), GAB 1-(T05.05)
 Part of 173-7984-Page406,173-7985-Page407
 250-2508-Page472
 An Attachment

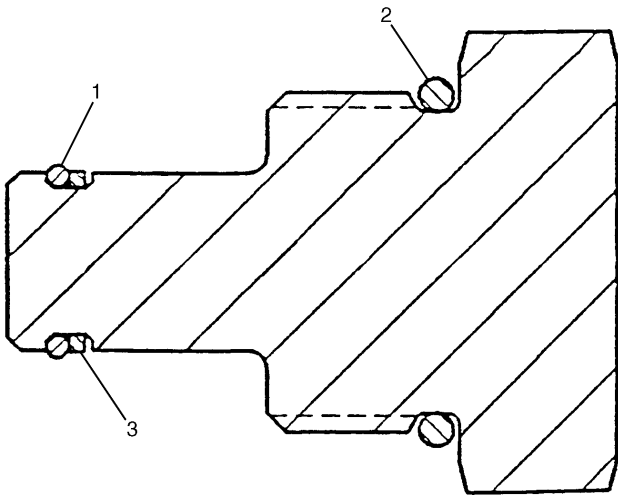
HYDRAULIC SYSTEM



NOTE	No.	PART No.	QTY	PART NAME
	1	6E-2745	1	SEAL
	2	9T-4506	1	PLUG

H58173E 02

6E-2746 PLUG GP
Part of 6E-4816-Page435

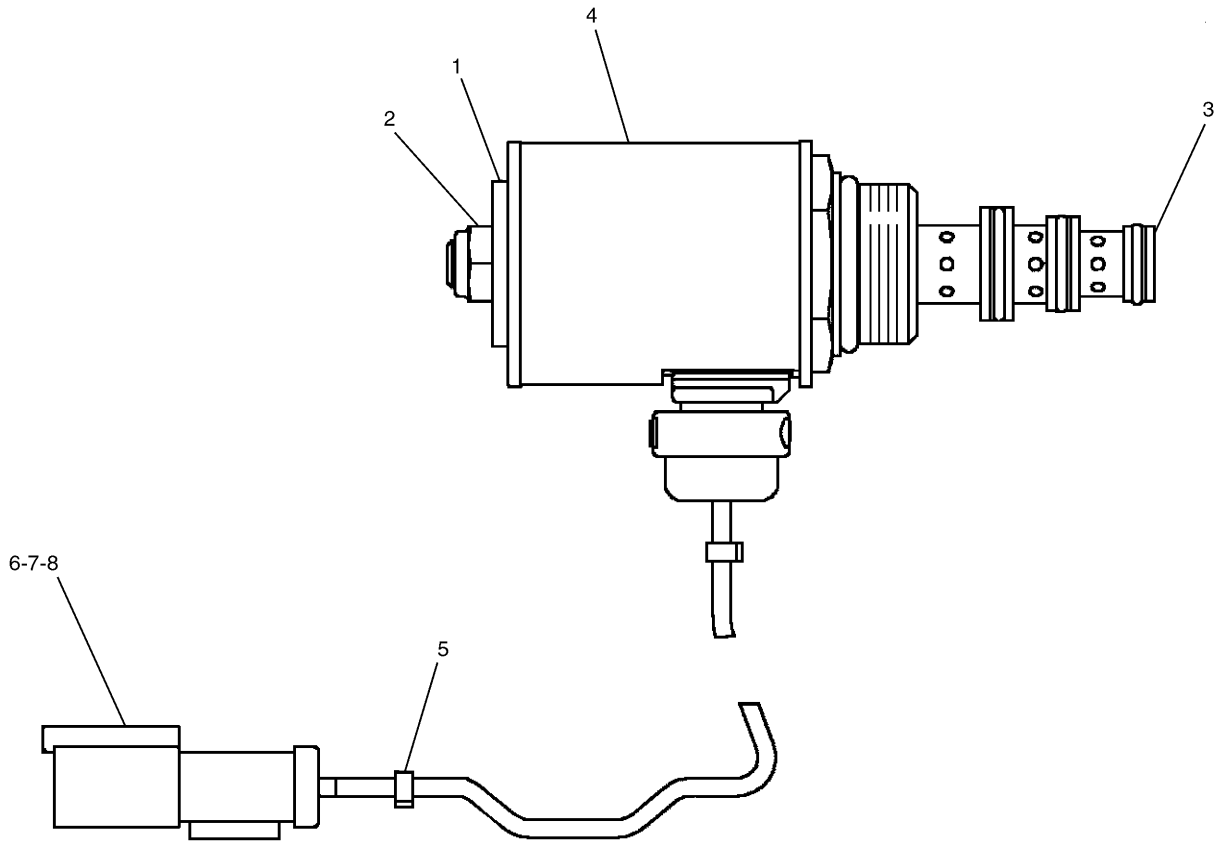


NOTE	No.	PART No.	QTY	PART NAME
	1	6M-5062	1	SEAL-O-RING (ID=10.82mm)
	2	3D-2824	1	SEAL-O-RING (ID=23.47mm)
	3	9J-0705	1	RING

H50289E 01

6E-4793 PLUG GP
Part of 6E-4816-Page435

HYDRAULIC SYSTEM

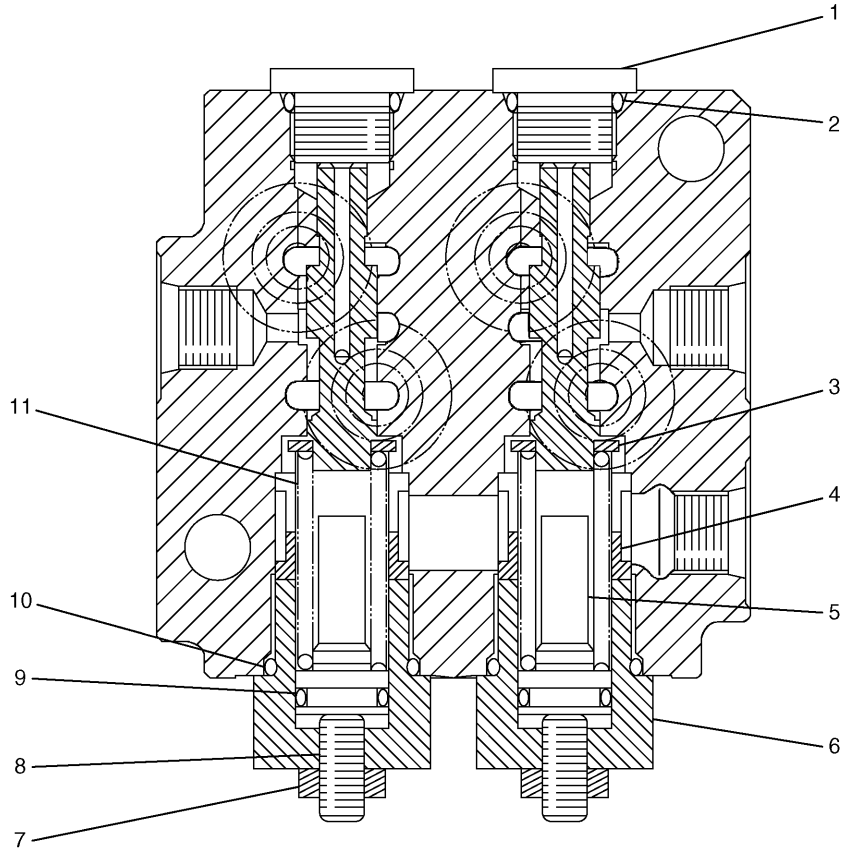


NOTE	No.	PART No.	QTY	PART NAME	NOTE	No.	PART No.	QTY	PART NAME
	1	8C-9987	1	WASHER					
	2	111-0343	1	LOCKNUT					
	3	170-7485	1	CARTRIDGE AS					
	4	189-0189	1	COIL AS					
	5	1S-9593	2	STRAP					
	6	102-8802	1	RECEPTACLE KIT					
	7	3E-3365	1	WEDGE					
	8	186-3735	2	PIN					
				THE FOLLOWING REPAIR KIT IS AVAILABLE:					
		109-3036	1	SEAL KIT					

H82252E 02

152-8346 VALVE GP-SOLENOID
Part of 178-6072-Page371.02
An Attachment

HYDRAULIC SYSTEM



NOTE	No.	PART No.	QTY	PART NAME	NOTE	No.	PART No.	QTY	PART NAME
	1	111-9998	2	PLUG					
	2	095-1582	2	SEAL-O-RING (ID=13.80mm)					
	3	171-0127	2	SEAT					
	4	185-0423	2	STOPPER					
	5	171-0126	2	SEAT					
	6	171-0123	2	PLUG					
	7	5C-7261	2	NUT					
	8	171-0124	2	SETSCREW					
	9	095-1580	2	SEAL-O-RING (ID=11.80mm)					
	10	095-1590	2	SEAL-O-RING (ID=21.80mm)					
	11	171-0128	2	SPRING					

H85396E 00

232-4102 VALVE GP-PRESSURE REDUCING
Part of 175-6004-Page331

HYDRAULIC SYSTEM

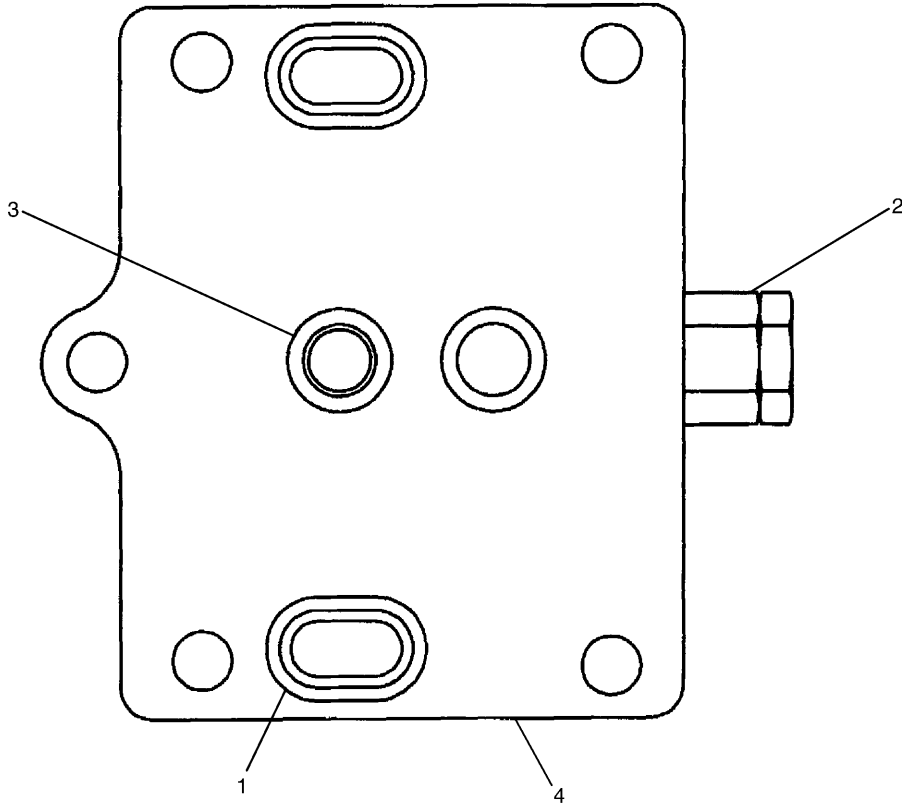
NOTE	No.	PART No.	QTY	PART NAME	NOTE	No.	PART No.	QTY	PART NAME
	1	9S-8004	1	PLUG					
	2	4J-7533	2	SEAL-O-RING (ID=6.07mm)					
	3	4B-4158	2	SCREW					
	4	8T-4136	4	BOLT (L=25mm)					
	5	225-4804	2	PLUG					
	6	118-4044	1	COVER					
	7	095-1789	1	RING					
	8	095-1594	1	SEAL-O-RING (ID=25.70mm)					
	9	087-5166	1	SPRING					
	10	9S-8005	1	PLUG					
	11	3J-1907	1	SEAL-O-RING (ID=11.89mm)					
	12	4I-8965	1	GUIDE					
	13	5I-8511	1	SPRING					
	14	3K-0360	1	SEAL-O-RING (ID=16.36mm)					
Y	15	250-2508	1	VALVE GP					
	16	147-4184	1	PLUG					

Y-SEE SEPARATE ILLUSTRATION

H88322E 00

250-2577 VALVE GP-PILOT
 S/N FBB 1-01733, GAB 1-00342
 Part of 175-6002-Page359
 250-2508-Page472

HYDRAULIC SYSTEM



NOTE	No.	PART No.	QTY	PART NAME	NOTE	No.	PART No.	QTY	PART NAME
Y	1	4 J-8998	2	SEAL-O-RING (ID=36.09mm)					
	2	109-2667	1	VALVE GP					
	3	1P-3702	2	SEAL					
	4	153-5239	1	COVER					

Y-SEE SEPARATE ILLUSTRATION

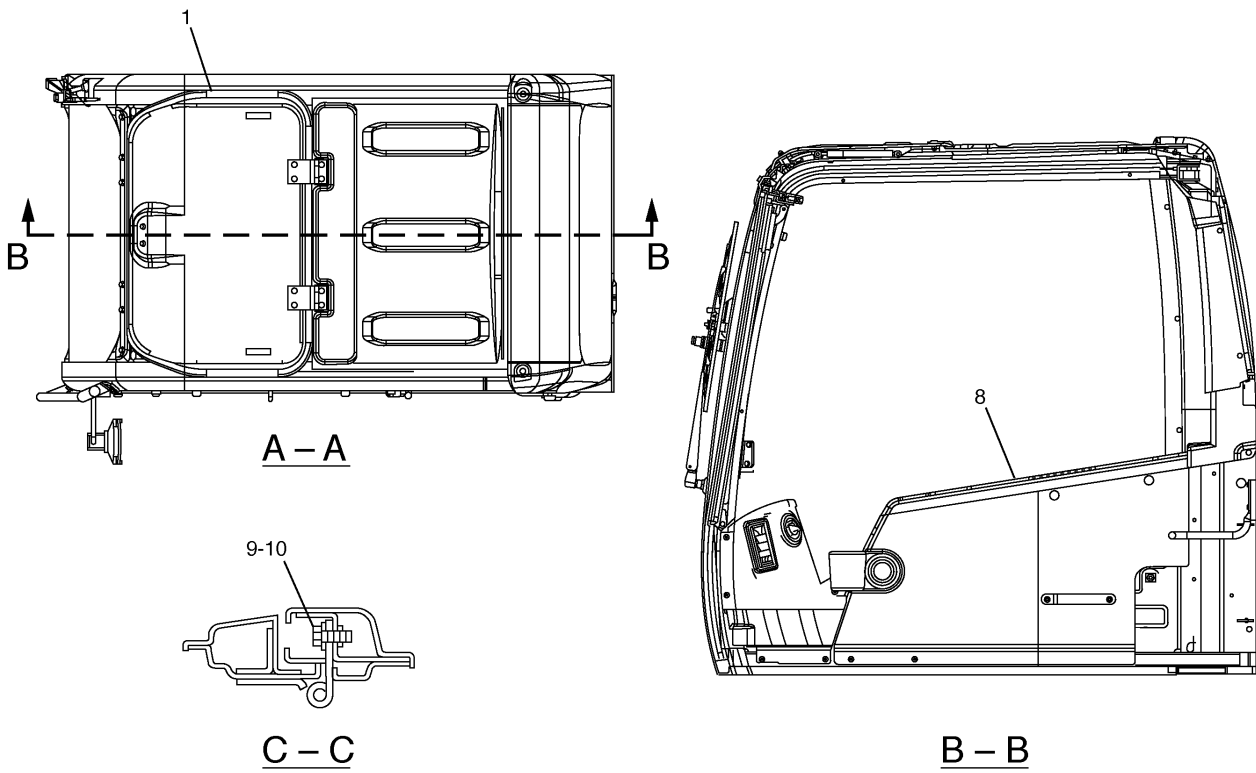
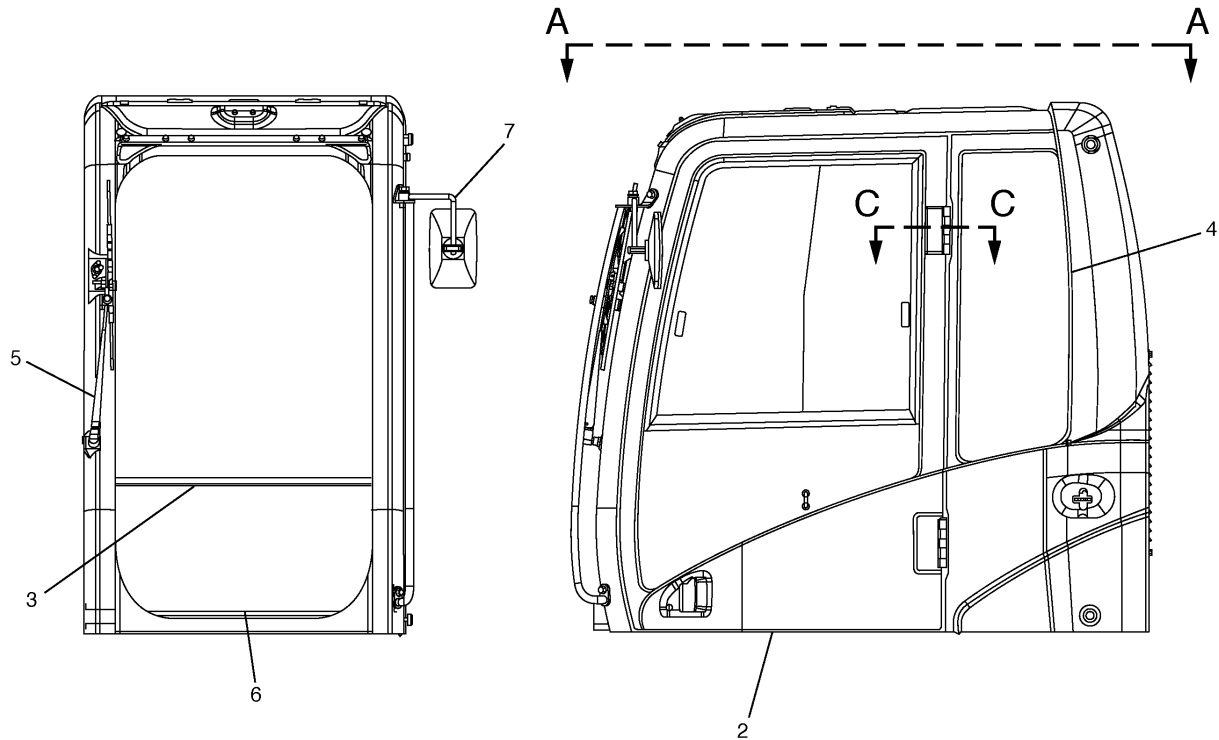
H81334E 02

153-5313 VALVE GP-RELIEF

Part of 236-6349-Page409,236-6350-Page409.02,250-2488-Page409.04
109-2667-Page441

MEMORANDA

OPERATOR STATION



H90973E 05

139-7092 CAB GP (BASIC)

Part of 161-3739-Page478,189-3442-Page482
 185-8278-Page490,185-8277-Page502,189-2768-Page505,139-7099-Page509,139-7101-Page512,185-8279-Page519
 ,176-1958-Page520,171-7408-Page522
 An Attachment

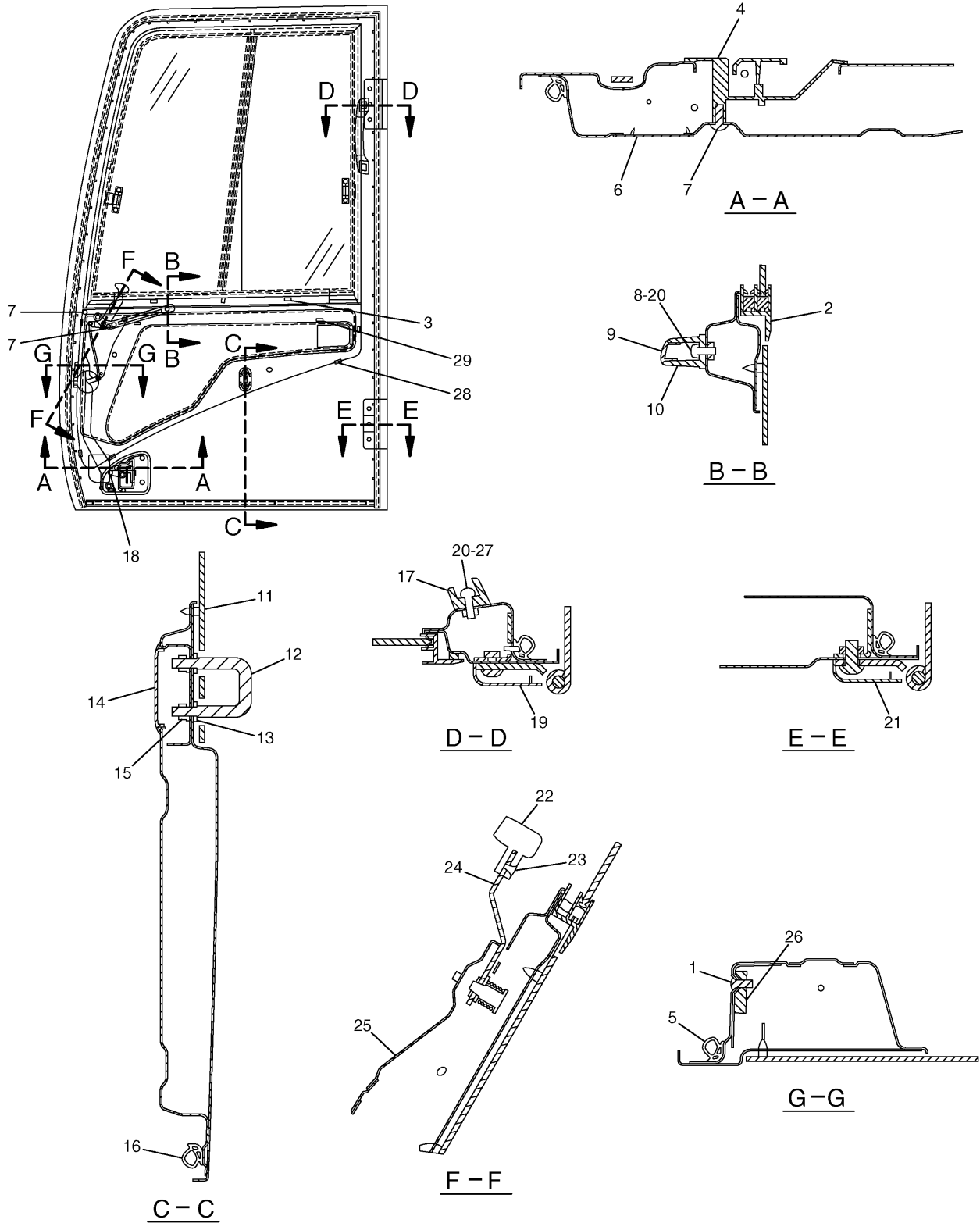
OPERATOR STATION

NOTE	No.	PART No.	QTY	PART NAME	NOTE	No.	PART No.	QTY	PART NAME
	1	156-6565	1	COVER					
	2	156-6574	1	COVER					
	3	164-0675	1	COVER					
	4	185-8223	1	COVER					
	5	164-0647	1	BRACKET AS					
	6	170-9724	5	CLIP					
	7	171-7323	6	CLIP					
	8	176-1972	1	COVER					
	9	176-1980	1	LINER					
	10	185-8205	7	CLIP					
	11	189-2678	3	SPACER					
	12	189-2853	1	COVER					
	13	189-2854	1	COVER					
	14	189-2855	1	COVER					
	15	9X-2044	4	SCREW					
	16	171-7420	10	CLIP					
	17	9X-2042	6	SCREW					
	18	185-8214	1	BRACKET AS					
	19	185-8218	1	COVER					

H87219E 05

176-1981 CAB GP-INTERIOR (1/2)
 Part of 171-7346-Page487
 An Attachment

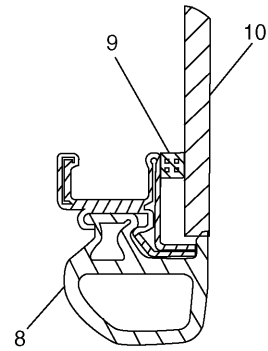
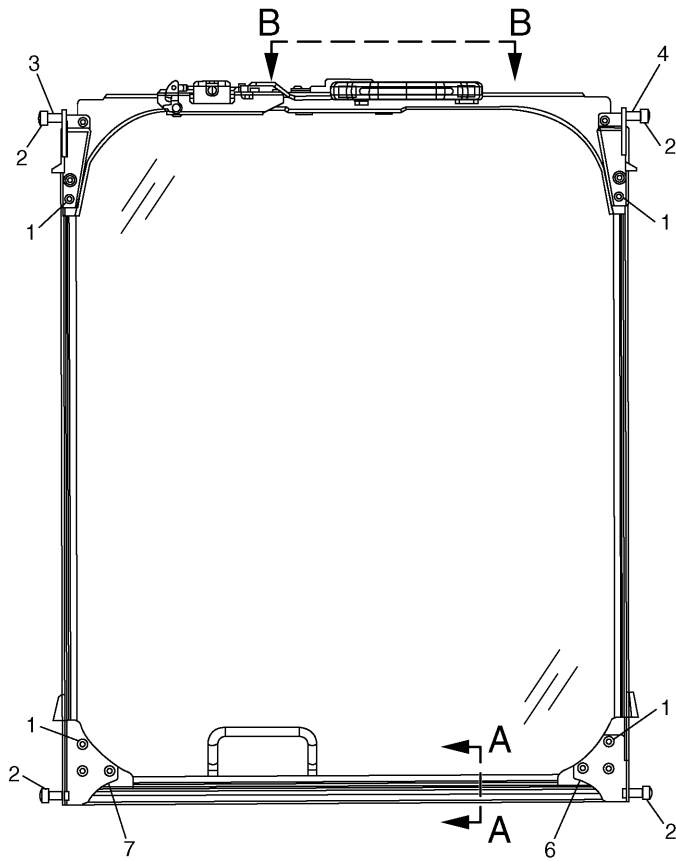
OPERATOR STATION



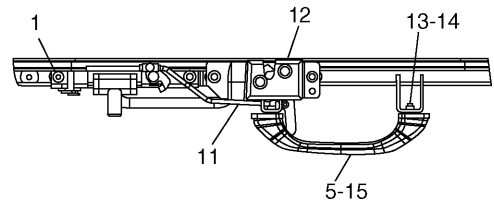
H93559E 06

139-7100 DOOR GP-CAB
 Part of 189-2768-Page505
 151-6792-Page508
 An Attachment

OPERATOR STATION



A - A



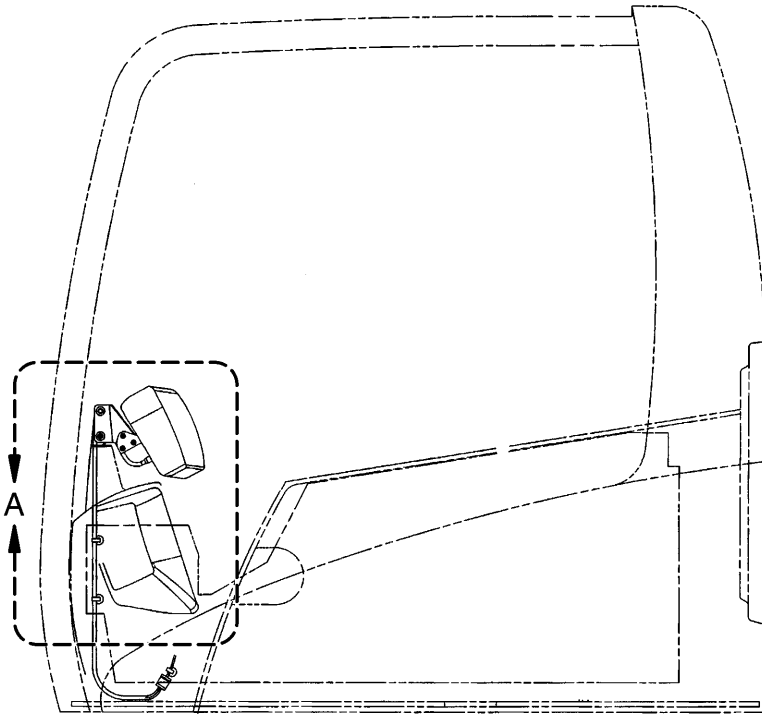
B - B

NOTE	No.	PART No.	QTY	PART NAME	NOTE	No.	PART No.	QTY	PART NAME
	1	9X-2042	15	SCREW					
	2	151-9576	4	ROLLER					
	3	273-5346	1	LINK AS					
	4	273-5345	1	LINK AS					
	5	151-6704	2	CAP					
	6	151-6813	1	BRACKET AS					
	7	151-6815	1	BRACKET AS					
	8	161-3698	1	SEAL					
	9	170-9722	1	CUSHION					
	10	156-6472	1	GLASS					
	11	151-6832	1	LEVER AS					
	12	151-6831	1	LOCK AS					
	13	095-0827	2	LOCKWASHER					
	14	8T-6412	2	SCREW					
	15	151-6703	1	HANDLE					

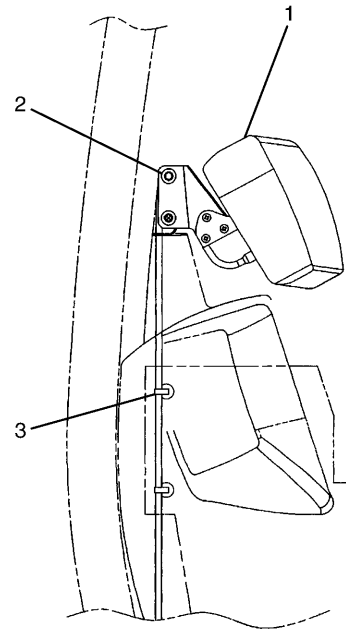
H91610E 02

171-7503 WINDOW GP
An Attachment

OPERATOR STATION



LEFT SIDE VIEW



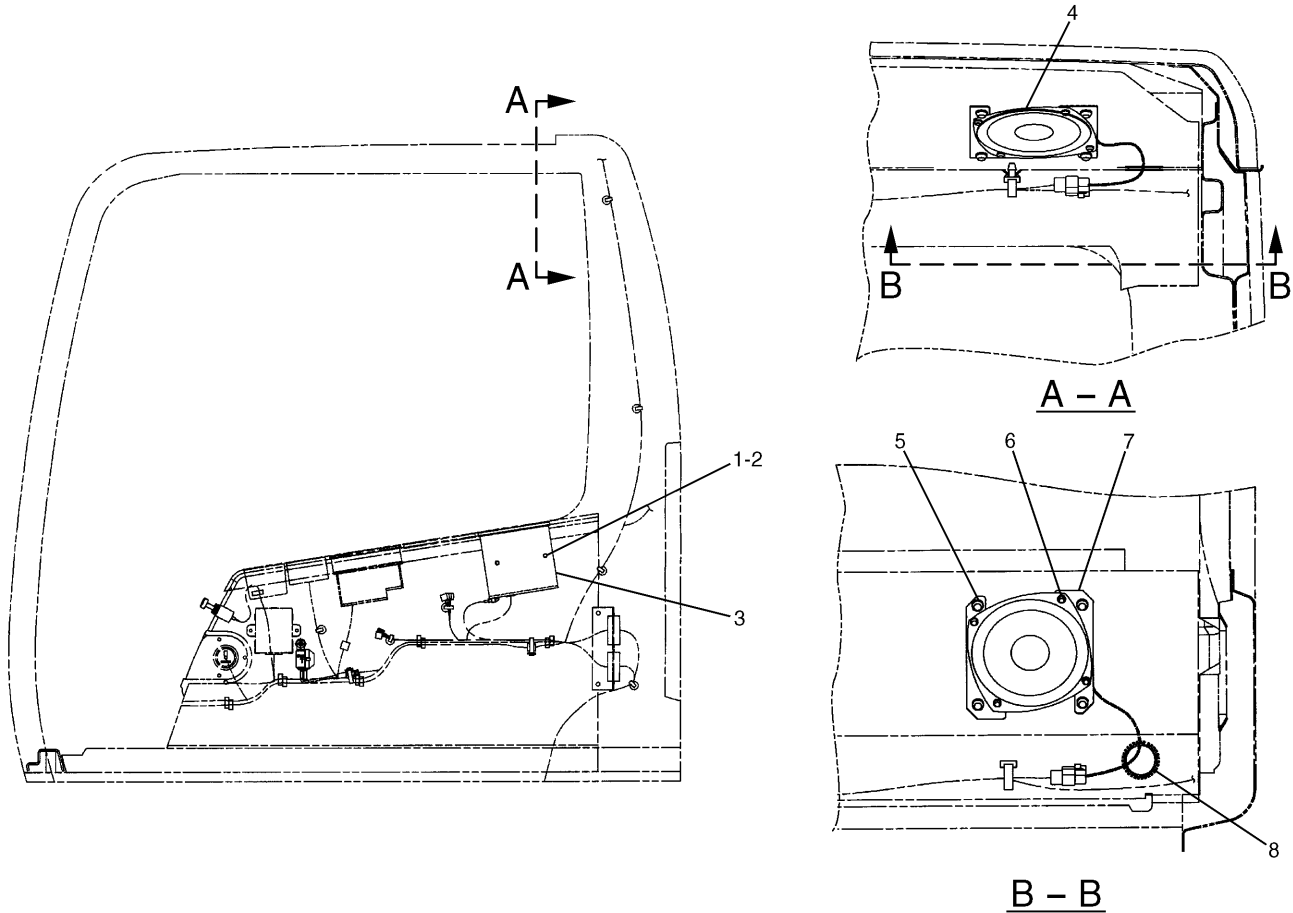
A

NOTE	No.	PART No.	QTY	PART NAME	NOTE	No.	PART No.	QTY	PART NAME
Y	1	260-2160	1	MONITOR GP					
	2	9X-2040	2	SCREW					
	3	163-6795	2	STRAP					

Y-SEE SEPARATE ILLUSTRATION

H90841E 04

OPERATOR STATION



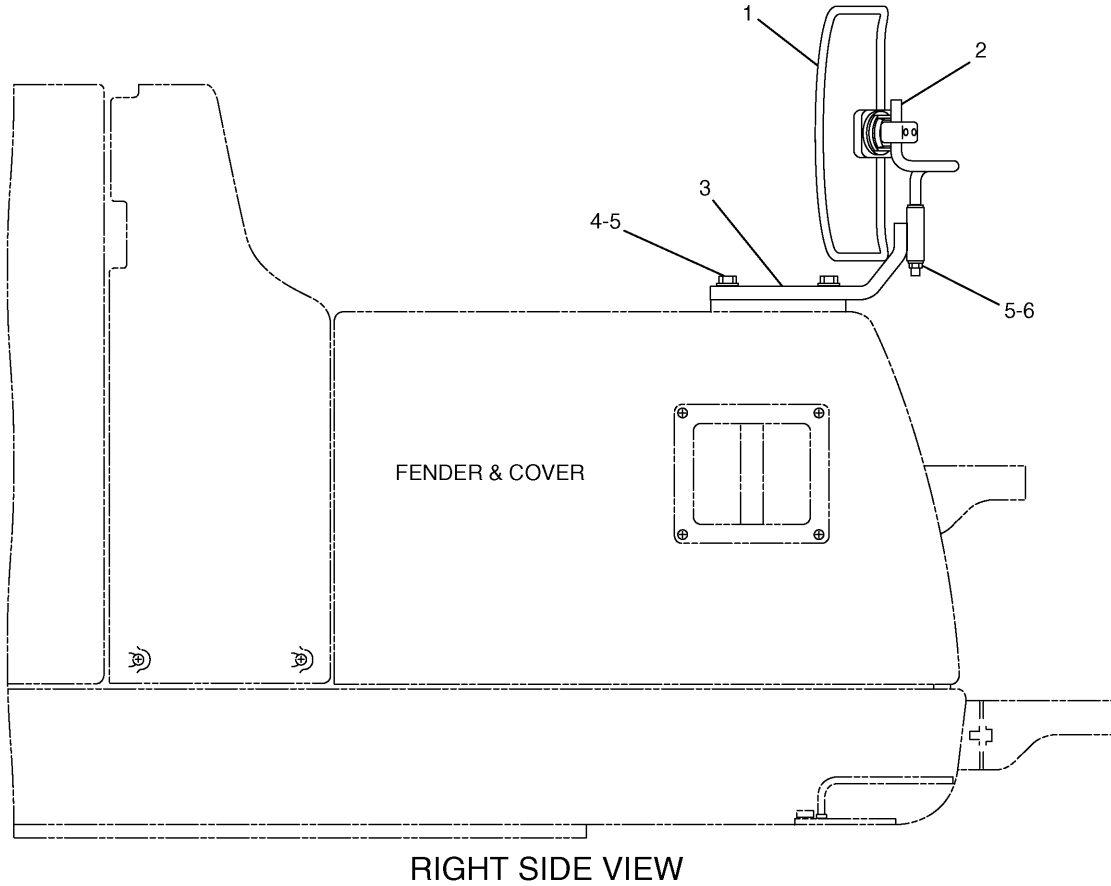
NOTE	No.	PART No.	QTY	PART NAME	NOTE	No.	PART No.	QTY	PART NAME
	1	095-0736	2	SCREW					
	2	8T-0328	2	WASHER					
	3	163-6709	1	RADIO (AM/FM)					
	4	7Y-5505	2	SPEAKER AS					
		7Y-3951	2	TERMINAL					
	5	099-7127	8	SCREW					
	6	8C-7581	8	SCREW					
	7	116-0210	4	BRACKET AS					
E	8	101-2846		GUARD... (9cm x 2)					

E—ORDER BY THE CENTIMETER

H85088E 03

163-6636 RADIO GP-AM/FM
An Attachment

OPERATOR STATION



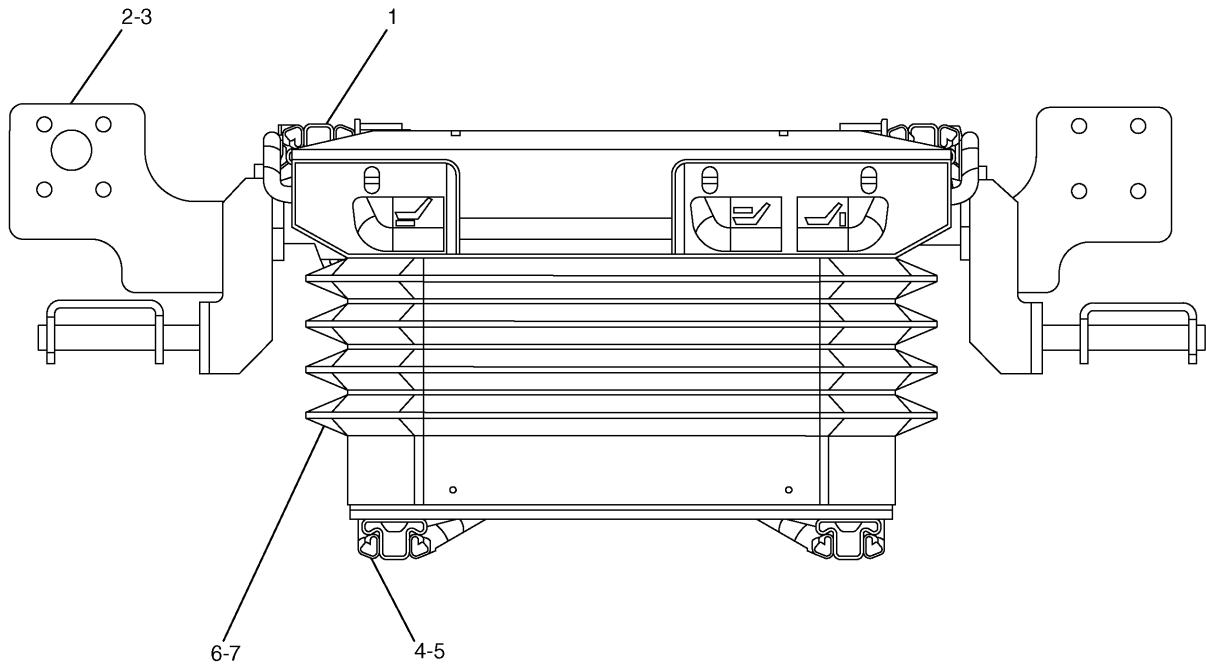
NOTE	No.	PART No.	QTY	PART NAME	NOTE	No.	PART No.	QTY	PART NAME
	1	137-2270	1	MIRROR					
	2	159-7842	1	BAR AS					
	3	178-5842	1	SUPPORT AS					
	4	8T-4956	2	BOLT (L=35mm)					
	5	5P-1076	3	WASHER					
	6	8T-4244	1	NUT					

H77951E 02

175-5617 MIRROR GP-REAR VIEW

MEMORANDA

OPERATOR STATION



NOTE	No.	PART No.	QTY	PART NAME	NOTE	No.	PART No.	QTY	PART NAME
	1	178-5655	1	ADJUSTER KIT					
	2	185-8122	1	SUPPORT KIT					
		178-5658	1	HANDLE KIT					
	3	185-8125	1	RISER KIT (HEIGHT)					
	4	178-5661	1	CABLE KIT					
	5	178-5662	1	ADJUSTER KIT					
	6	185-8127	1	SUPPORT KIT					
	7	185-8143	1	COVER KIT					
		178-5647	14	CLIP					
		178-5648	4	STRAP					

H71338E 09

164-0479 SUSPENSION GP-SEAT
 Part of 178-5624-Page562,171-7352-Page563
 An Attachment

OPERATOR STATION

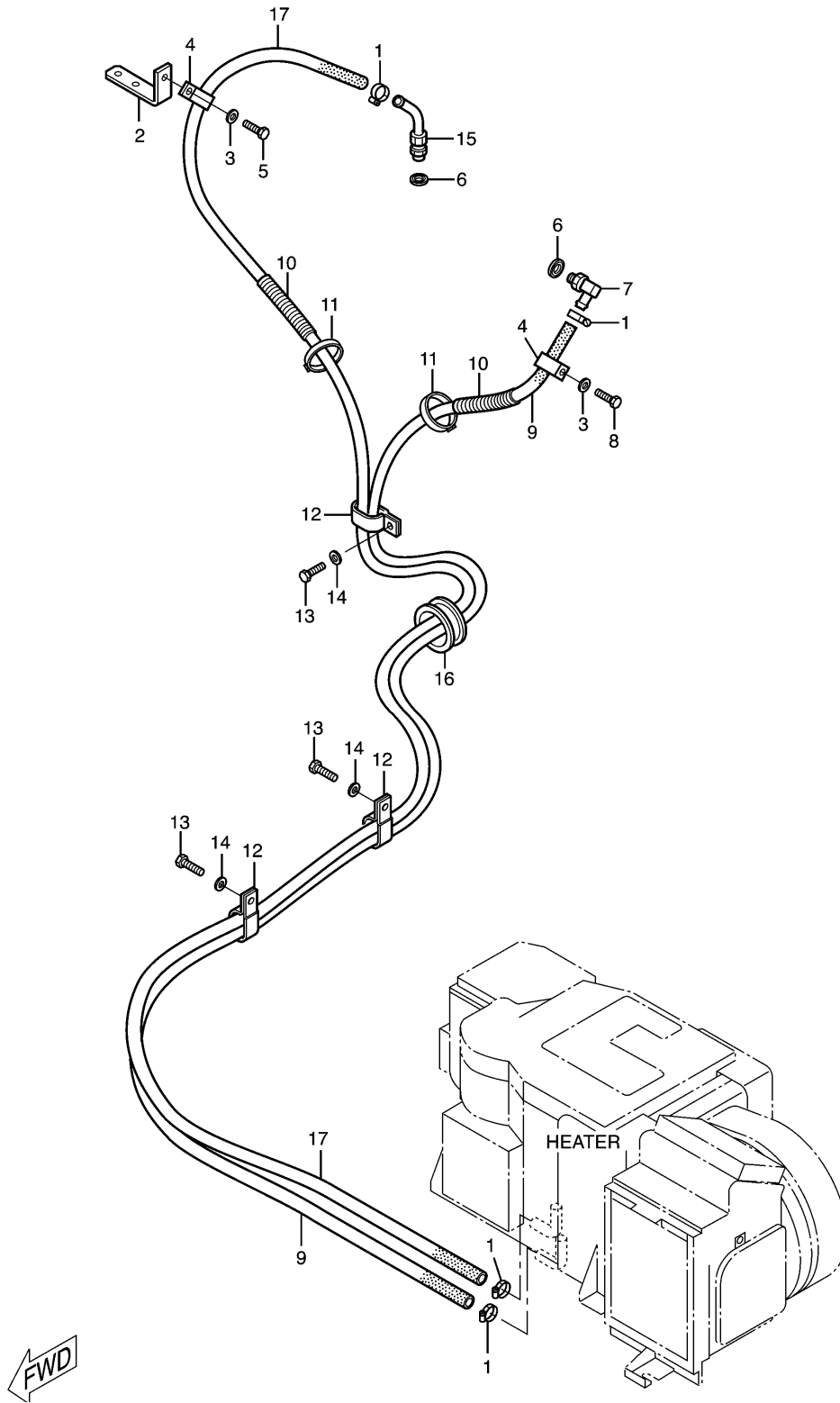
NOTE	No.	PART No.	QTY	PART NAME	NOTE	No.	PART No.	QTY	PART NAME
	1	164-0592	1	DUCT AS					
		61-5331	4	RIVET					
		189-3415	2	INSULATOR					
	2	164-0631	1	DUCT AS					
		189-3415	1	INSULATOR					
	3	164-0630	1	DUCT AS					
		189-3415	1	INSULATOR					
	4	164-0628	1	DUCT AS					
		189-3427	1	RUBBER					
Y	5	164-0590	1	DUCT AS					
	6	095-0742	5	SCREW					
	7	164-0632	1	DUCT AS					
		189-3455	1	INSULATOR					
	8	293-1183	1	FILTER AS					
		293-1184	1	FILTER					
	9	176-1996	2	CLIP					
	10	9X-8256	1	WASHER					
	11	8T-4171	1	BOLT (L=12mm)					
	12	095-0827	5	LOCKWASHER					

Y-SEE SEPARATE ILLUSTRATION

H97746E 01

161-3764 DUCT GP-AIR
 Part of 161-3762-Page571
 164-0590-Page578

OPERATOR STATION



H77958E 01

201-4489 LINES GP-HEATER
Part of 201-4488-Page582
An Attachment

IMPLEMENTS

Consists of :

			Page
1	173-7987	LINES GP-STICK.....	286
1	178-0920	STICK GP-HOE	608

H67708E 00

176-2731 STICK AR-HOE
An Attachment

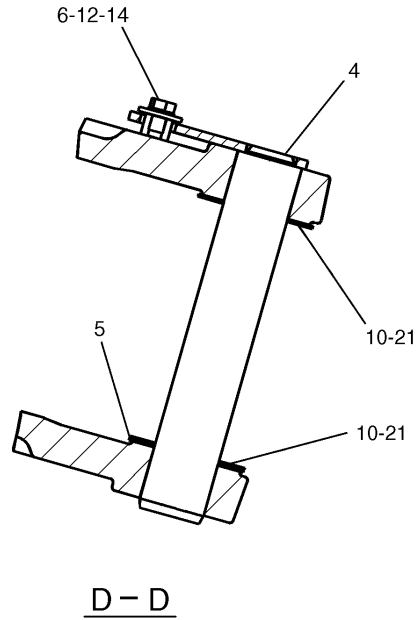
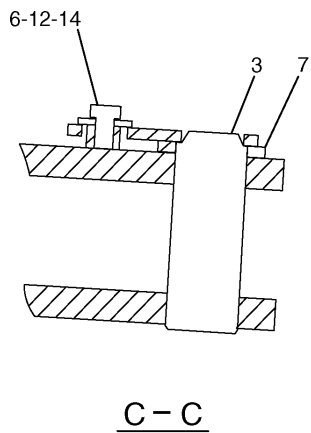
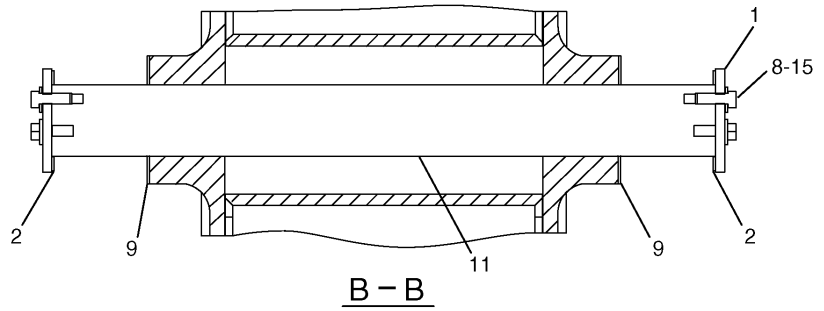
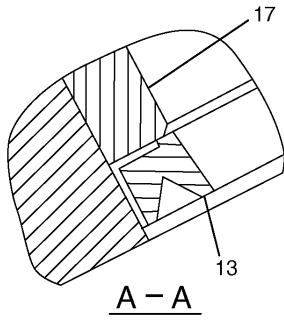
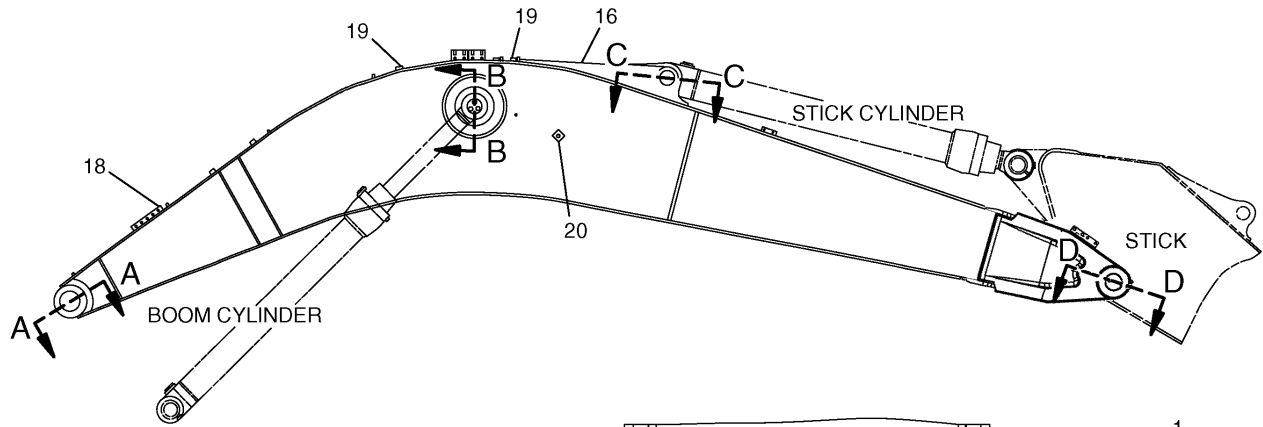
Consists of :

			Page
1	41-0498	LINES GP-GREASE.....	614
1	163-3538	STICK GP-HOE	609
1	187-5865	LINES GP-STICK.....	287

H68614E 03

163-7764 STICK AR-HOE
An Attachment

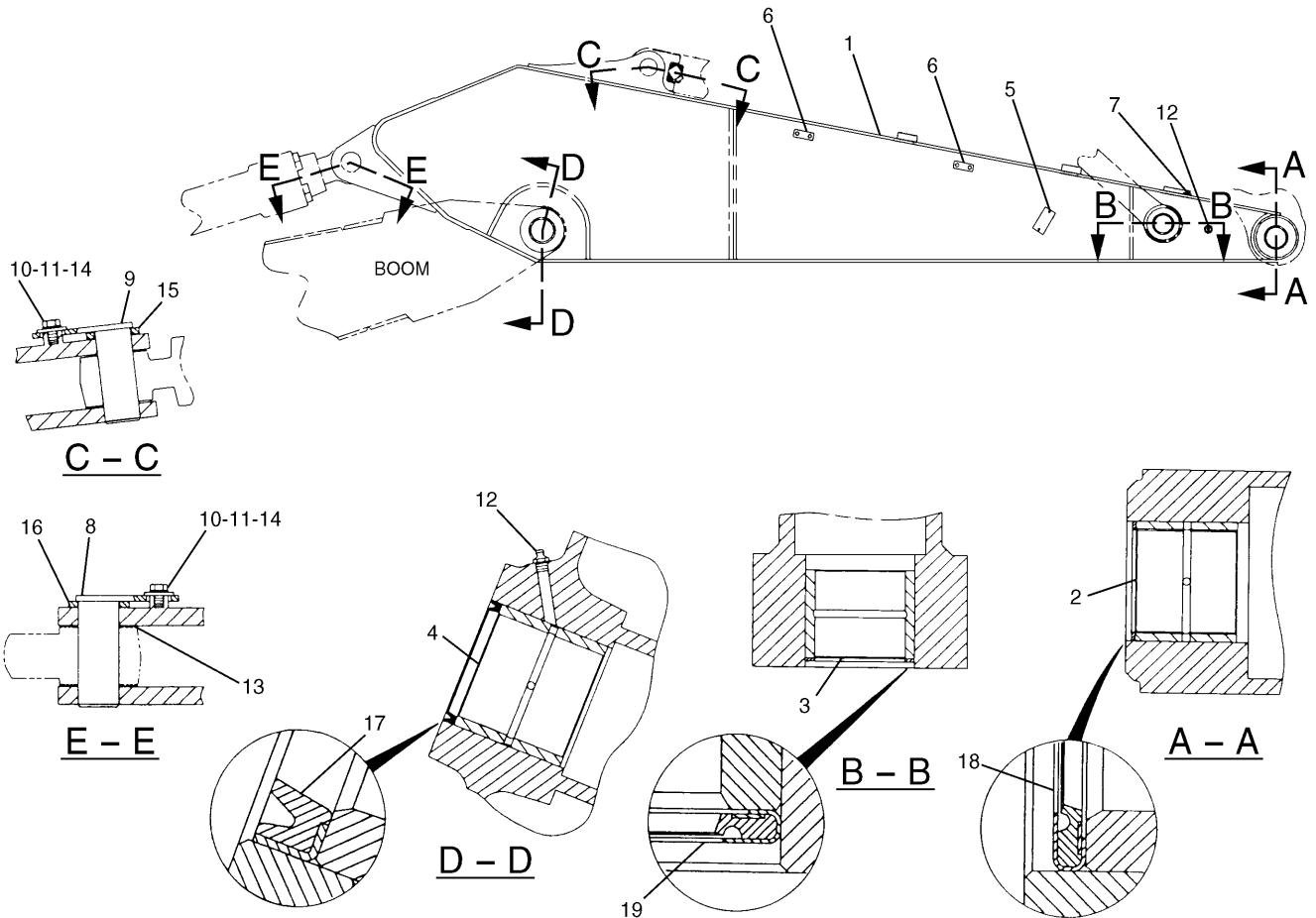
IMPLEMENTS



H87735E 02

214-4358 BOOM GP
 S/N FBB (T03.07)-Up, GAB (T03.07)-Up
 Part of 176-2812-Page594.01
 An Attachment

IMPLEMENTS

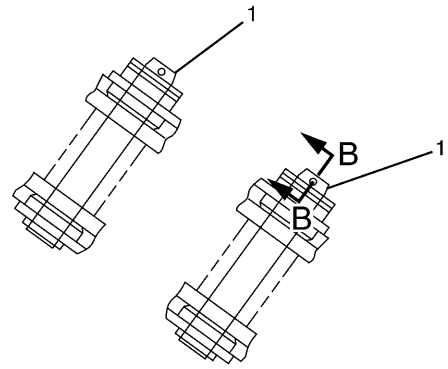
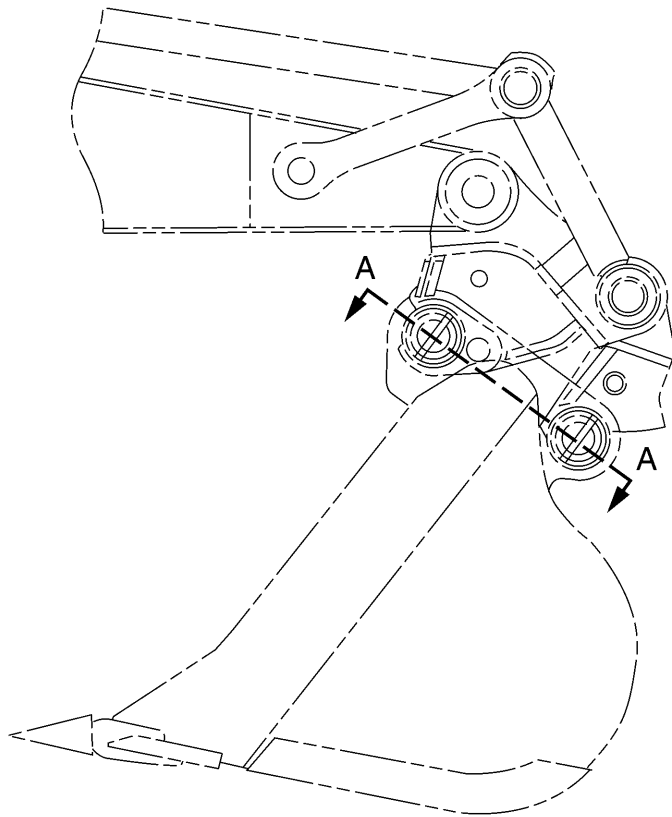


NOTE	No.	PART No.	QTY	PART NAME	NOTE	No.	PART No.	QTY	PART NAME
	1	237-3163	1	STICK AS					
	2	240-2913	2	BEARING					
	3	229-1096	2	BEARING					
	4	163-3744	2	BEARING					
	5	121-1760	2	PLATE					
	6	173-8026	4	PLATE					
	7	7V-2882	1	PLATE AS					
	8	41-4809	1	PIN AS					
	9	41-4811	1	PIN AS					
	10	8T-4780	2	BOLT (L=30mm)					
	11	093-0349	2	WASHER					
	12	3B-8489	3	FITTING					
	13	166-1486	2	SHIM (T=2.00mm)					
	14	8T-4123	2	WASHER					
	15	118-5982	1	SPACER					
	16	093-0363	1	SPACER					
	17	166-1495	2	SEAL					
	18	096-0854	2	SEAL					
	19	093-1434	2	SEAL					

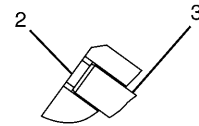
H86078E 03

173-8023 STICK GP
Part of 173-8027-Page288
An Attachment

IMPLEMENTS



A - A



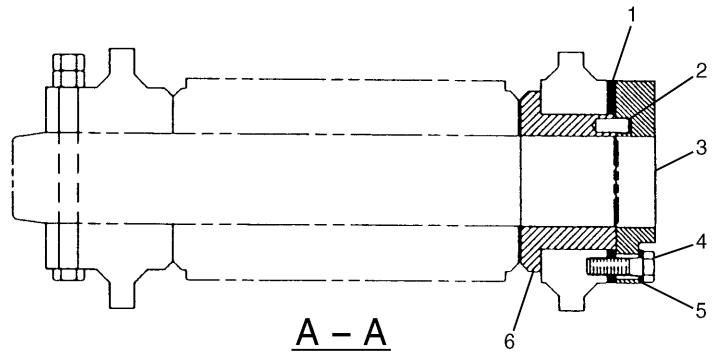
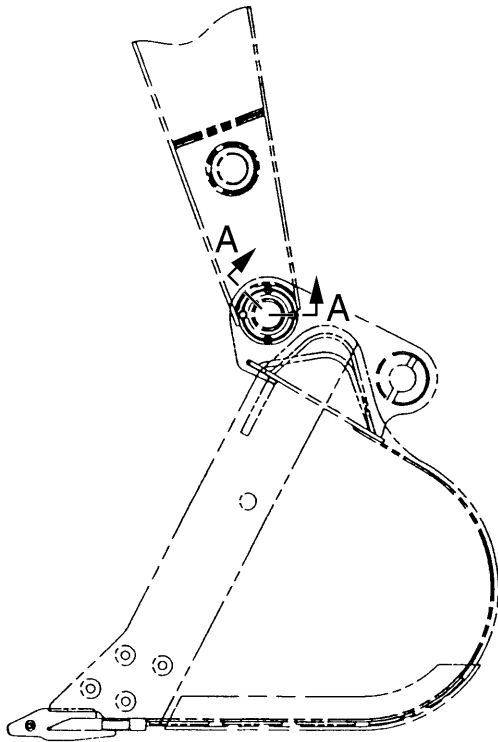
B - B

NOTE	No.	PART No.	QTY	PART NAME	NOTE	No.	PART No.	QTY	PART NAME
	1	087-5805	2	PIN					
	2	168-2629	2	RING					
	3	168-2628	2	PIN					

H80005E 00

218-5378 PIN GP
Part of 200-7294-Page599.01
An Attachment

IMPLEMENTS



NOTE	No.	PART No.	QTY	PART NAME	NOTE	No.	PART No.	QTY	PART NAME
B	1	086-0322	6	SHIM (T=1.00mm)					
B		086-0321	4	SHIM (T=0.50mm)					
	2	193-5014	1	PIN					
	3	134-8948	1	PLATE					
	4	8T-4193	4	BOLT (L=50mm)					
	5	9X-8257	4	WASHER					
	6	193-5015	1	FLANGE					

B-USE AS REQUIRED

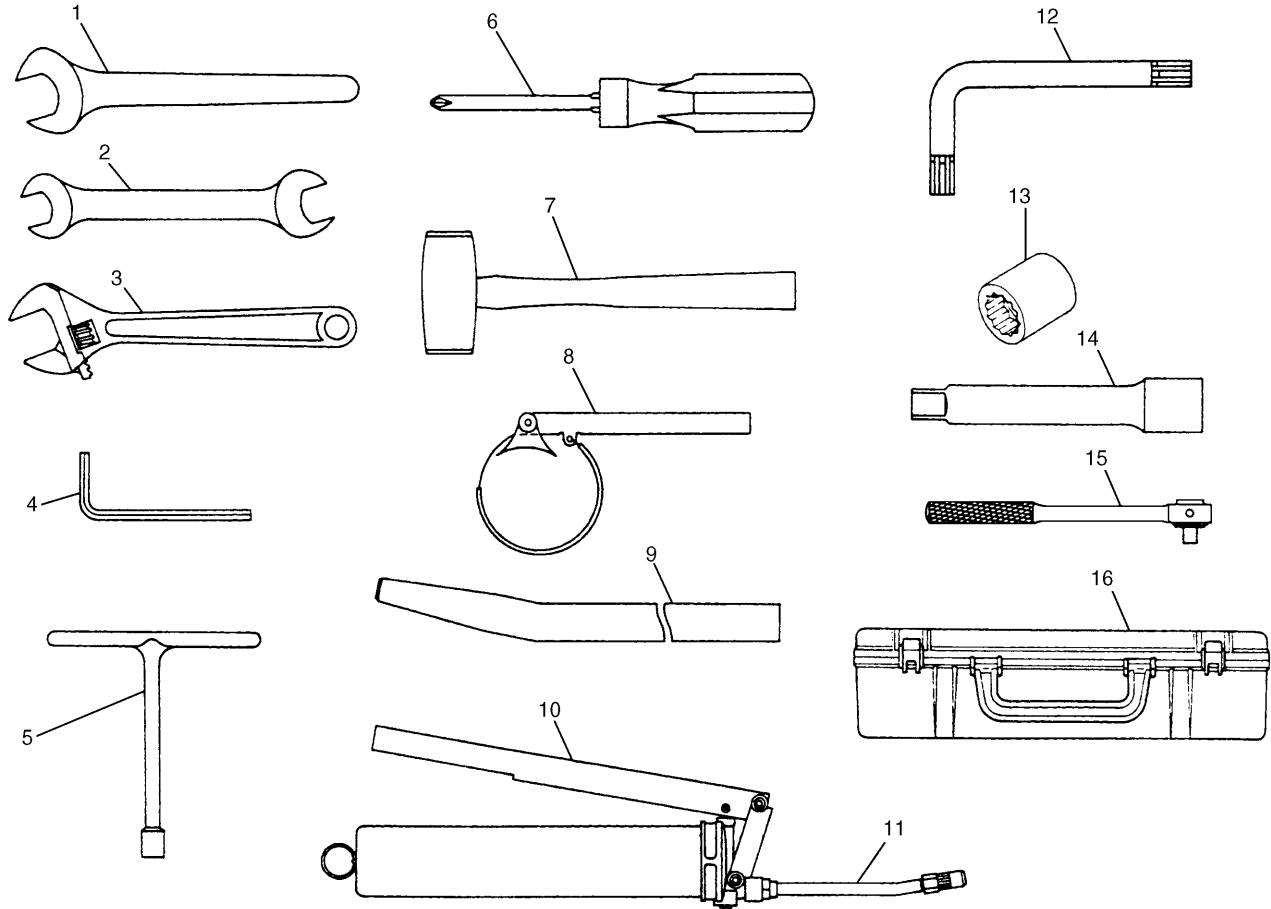
H75369E 04

7Y-2219 ADJUSTER GP-BUCKET

B Family

Part of 165-0871,165-0872-Page621,165-0873,168-2967-Page622,168-2968-Page623
An Attachment

SERVICE EQUIPMENT AND SUPPLIES



NOTE	No.	PART No.	QTY	PART NAME	NOTE	No.	PART No.	QTY	PART NAME
	1	095-1056	1	WRENCH (36MM)		9	093-7638	1	BAR
		095-1057	1	WRENCH (41MM)		10	099-7464	1	GREASE GUN
	2	099-3245	1	WRENCH (16MM x 18MM)		11	199-7371	1	TUBE AS
		095-1833	1	WRENCH (19MM x 22MM)	A		4Y-0426	1	GREASE (BELLOWS)
		099-3246	1	WRENCH (21MM x 24MM)	A		3Y-7597	1	GREASE (FOR WINTER TIME)
		095-1836	1	WRENCH (27MM x 30MM)	A		1P-0808	1	GREASE (PAPER TUBE)
	3	71-6395	1	WRENCH (200MM)		12	41-2604	1	WRENCH (6MM)
	4	1U-7563	1	WRENCH (4MM)			41-2605	1	WRENCH (10MM)
		1U-7564	1	WRENCH (5MM)		13	095-1064	1	SOCKET (10MM)
		095-1080	1	WRENCH (6MM)			095-1066	1	SOCKET (13MM)
		095-1081	1	WRENCH (8MM)			099-3248	1	SOCKET (16MM)
		095-1082	1	WRENCH (10MM)			099-3249	1	SOCKET (18MM)
		095-1084	1	WRENCH (14MM)			095-1070	1	SOCKET (22MM)
	5	7Y-6108	1	WRENCH (11MM)			095-1071	1	SOCKET (24MM)
	6	095-1855	1	SCREWDRIVER			096-8251	1	SOCKET (30MM)
	7	095-1857	1	HAMMER		14	099-3250	1	EXTENSION
	8	2P-8250	1	WRENCH AS		15	095-1852	1	RATCHET
		1P-0551	1	PIN		16	7Y-0070	1	TOOLBOX
		2P-8253	1	STRAP					
		6H-7378	1	RING					

A-NOT PART OF THIS GROUP

H52847E 05

7Y-0060 TOOL GP
Part of 71-0776-Page637
An Attachment

SERVICE EQUIPMENT AND SUPPLIES

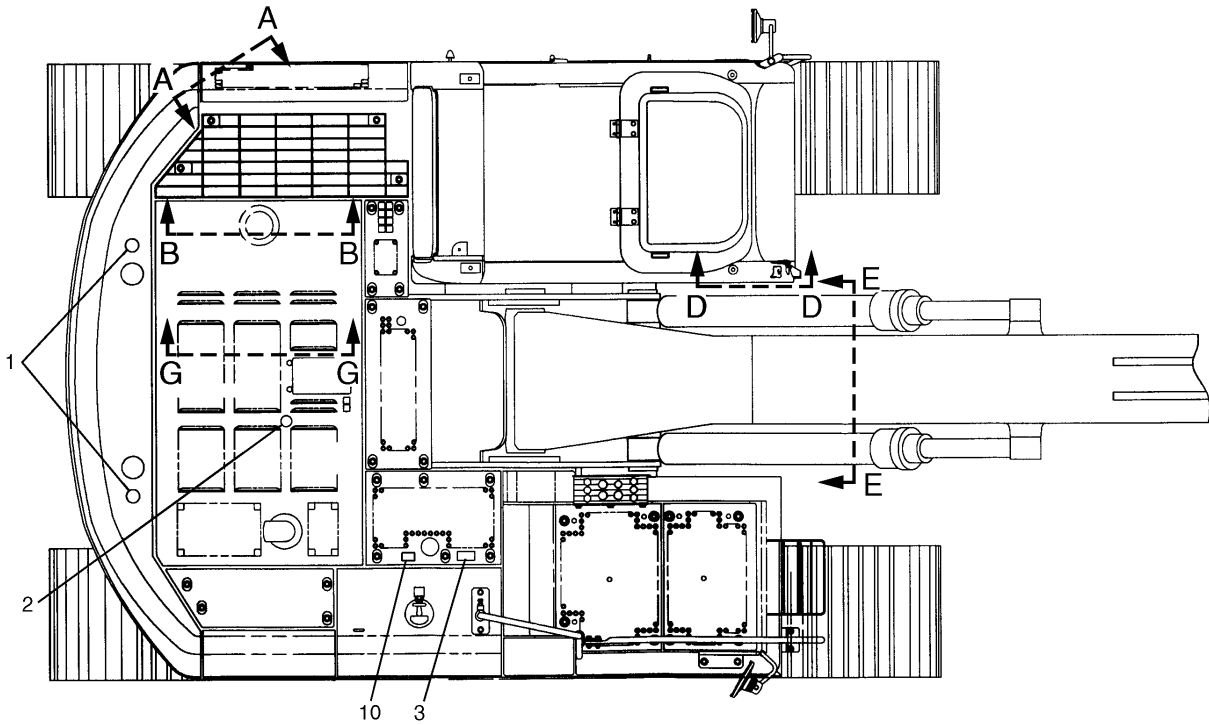
NOTE	No.	PART No.	QTY	PART NAME	NOTE	No.	PART No.	QTY	PART NAME
	1	7Y-0063	2	FILM (LIFT EYE)					
	2	167-7270	1	FILM (NO STEP)					
	3	160-6822	2	FILM (WARNING)					
	4	4P-6422	1	FILM (WARNING)					
	5	160-6841	1	FILM (WARNING)					
	6	120-5107	1	FILM (INSTRUCTION)					
Z	7		1	PLATE (PIN)					
	8	4B-4158	4	SCREW					
	9	176-2681	1	FILM (NOTICE)					
	10	120-5063	1	FILM (WARNING)					
	11	7X-7644	2	FILM (TIE DOWN)					
	12	134-7258	1	FILM (ELC)					
	13	186-1131	1	FILM					
		186-1133	1	FILM					

Z-NOT SERVICED

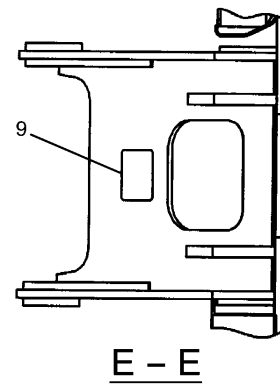
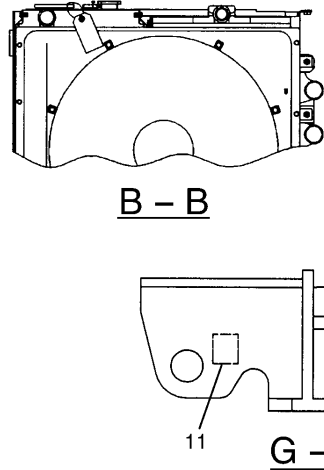
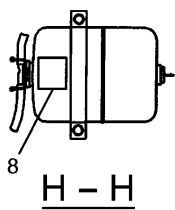
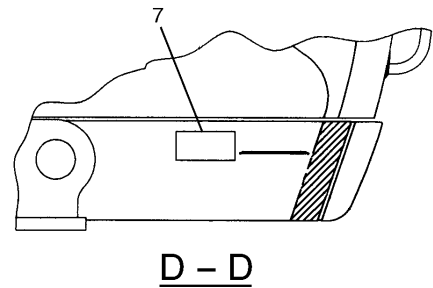
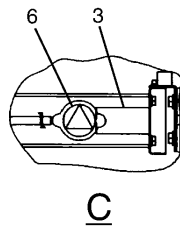
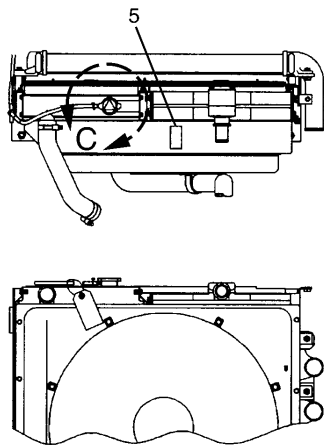
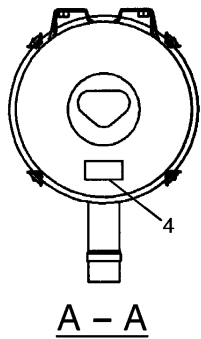
H83563E 10

167-7251 PLATE & FILM GP (1/3)
S/N FBB 00359-00679

SERVICE EQUIPMENT AND SUPPLIES



TOP VIEW



HA0133E 17

167-7251 PLATE & FILM GP (1/3)
S/N FBB 01191-Up

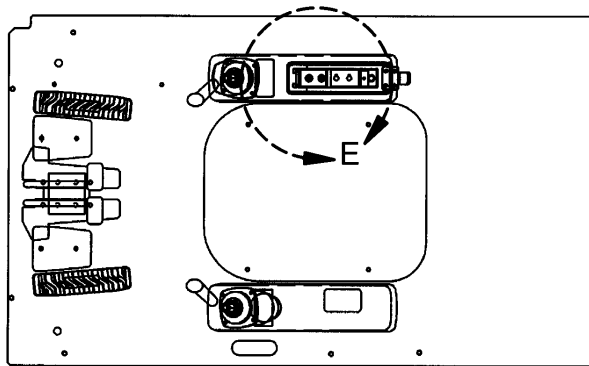
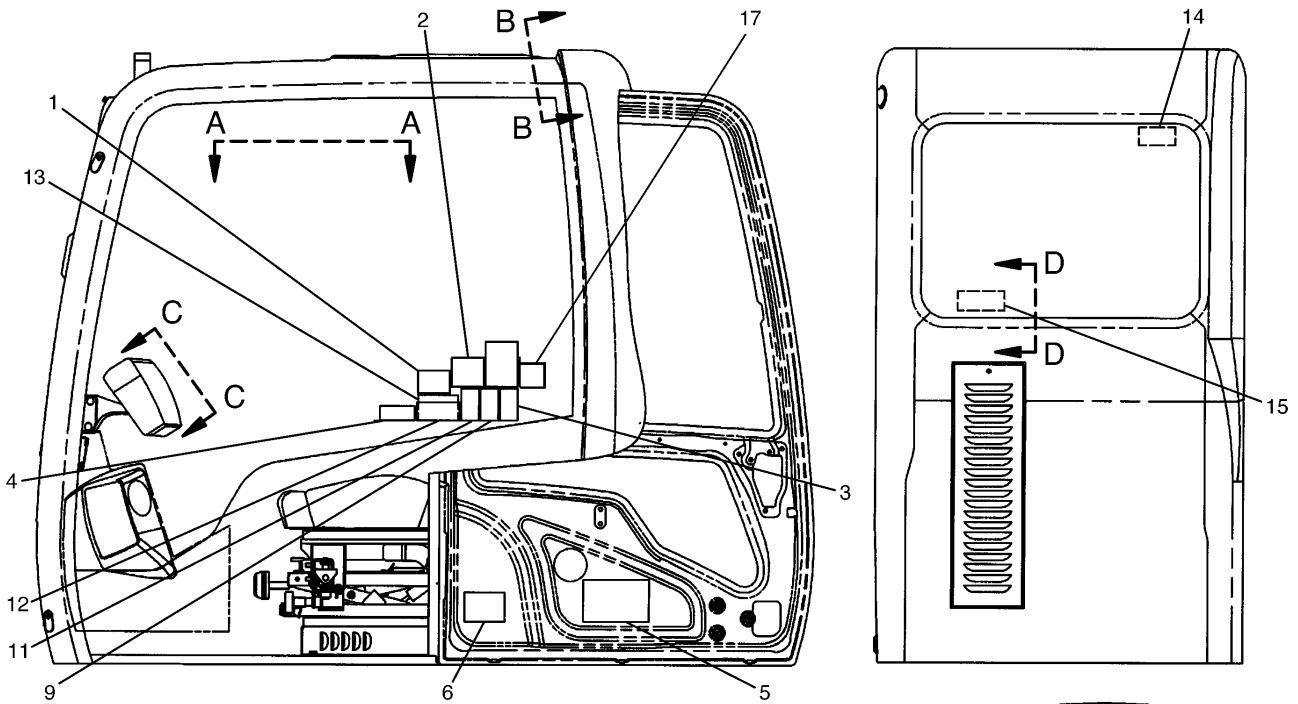
SERVICE EQUIPMENT AND SUPPLIES

NOTE	No.	PART No.	QTY	PART NAME	NOTE	No.	PART No.	QTY	PART NAME
	1	127-5272	1	FILM (WARNING)					
	2	127-5295	1	FILM (WARNING)					
	3	160-6845	1	FILM (WARNING)					
	4	186-1214	1	FILM (NOTICE)					
	5	204-3779	1	FILM (LUBRICANT CHART)					
	6	176-2679	1	FILM (REGISTRATION)					
	7	176-2712	1	FILM (INSTRUCTION)					
	8	176-2753	1	FILM (THROTTLE CONTROL)					
	9	160-6850	1	FILM (DANGER)					
	10	186-1149	1	FILM (WARNING)					
	11	160-6818	1	FILM (WARNING)					
	12	41-2885	1	CASE					
	13	71-1533	1	PLATE (INSTRUCTION)					
	14	187-0661	1	FILM (ALTERNATE EXIT)					
	15	61-6075	1	FILM (EMERGENCY EXIT)					
	16	8T-6842	1	FILM (ALTERNATE EXIT)					

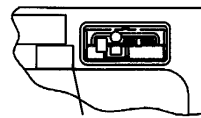
H86689E 07

167-7260 PLATE & FILM GP (3/3)
S/N GAB 1-00202

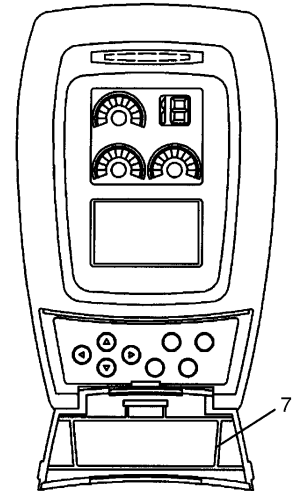
SERVICE EQUIPMENT AND SUPPLIES



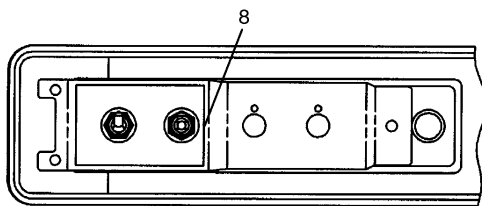
A - A



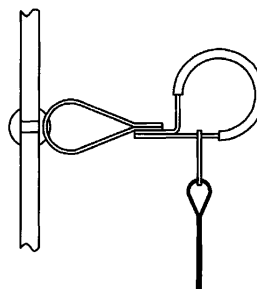
B - B



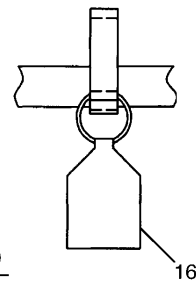
C - C



E



D - D



16

H83581E 11

167-7260 PLATE & FILM GP (3/3)
S/N GAB 00241-00290

SERVICE EQUIPMENT AND SUPPLIES

NOTE	No.	PART No.	QTY	PART NAME	NOTE	No.	PART No.	QTY	PART NAME
E	1	167-7285	2	FILM (320CLU)					
	2	134-6146		FILM (STRIPE)···(560cm)					
	3	105-7545	2	FILM (CAT)					
	4	176-2682	1	FILM (STRIPE)					
	5	186-1147	2	FILM (REGA)					
	6	127-5282	1	FILM (CAT)					
	7	160-6853	2	FILM (DANGER)					
	8	144-9126	1	FILM (INSTRUCTION)					
	9	1P-2807	4	FILM (LIFT)					
	10	160-6832	2	FILM (WARNING)					
	11	167-7272	1	FILM (CAT)					
	12	150-8108	1	FILM (CAT)					
	13	160-6884	1	FILM (DANGER)					
	14	7X-7644	2	FILM (TIE DOWN)					
	15	167-7271	1	FILM (FUSE PANEL)					
	16	169-7659	1	FILM (CIRCUIT BREAKER)					
	17	7I-6508	1	FILM (NOTICE)					
	18	3Y-8905	1	FILM (WARNING)					
	19	127-5283	1	FILM (CAT)					
	20	190-5386	2	FILM (SAFETY)					

E-ORDER BY THE CENTIMETER

HA0137E 14

167-7260 PLATE & FILM GP (2/3)
S/N GAB 00292-Up

PART NUMBER INDEX

Part.No	Page	Part.No	Page	Part.No	Page
1			431	1R-0739	35
			431.02	1R-0751	59
1F-0425	463		433	1R-5998	503
1H-3244	93		466	1R-6573	61
	95.02		468		61B
	95.06	1P-3703	291	1R-7119	234
	95.10		293		235
	95.14		295	1R-9206	61.01
	95.18		297		61.08
	95B		299	1R-9210	61.05
1H-3338	103.01		309		61.12
1H-8278	239		317	1S-7252	89
	239.02		319		90
	241		321	1S-9593	444.01
	241.02		359	1U-3301	630
1K-8850	188		361	1U-3302	629
1M-6119	89		361.02	1U-3351	634
	90		361.04	1U-3352	633
1M-6120	89		363	1U-7563	638
	90		365	1U-7564	638
1P-0436	59		367	1U-8846	169
1P-0551	638		369		169.02
	639		374		171
1P-0808	638		433		201
	639	1P-3704	293		317
1P-2807	645		295		319
	647.04		297		379
	647.10		299		391
	647.16		309		
	651		317		
	653.04		319		
	653.10		321		
	653.16	1P-4278	239	2A-5222	36
	653.22		239.02	2B-0858	239
1P-3702	374		241		239.02
	406		241.02		241
	406.01	1P-4577	359		241.02
	407		361.02	2D-6642	389
	407A	1P-4579	373	2G-8767	75
	409	1P-4582	373		77
	409.02	1P-5765	374		77.06
	409.04	1P-5767	295		77.08
	427		297		77.14
	428		299		77.16

2

PART NUMBER INDEX

Part.No	Page	Part.No	Page	Part.No	Page
6E-4793	435		77		626
	436		77.06	6I-6583	169
6E-4816	411		77.08		169.02
	413.02		77.14	6I-6585	169
	413.06		77.16		169.02
	435		77.22	6I-6645	194
6E-5169	417		77.24		195
	417.04	6G-2263	75		196
	417.08		77	6I-6795	469
6E-5638	417		77.06		469.01
6E-5643	415		77.08		470
	417		77.14	6I-6923	463
	417.02		77.16	6I-6971	271
	417.04		77.22		271.02
	417.06		77.24	6I-9454	227
	417.08	6H-7378	638		230
6E-5644	415		639	6K-0806	303
6E-5730	411	6I-5133	614		307
	413	6I-5134	614		312
	417	6I-5135	614		314
	427	6I-5136	614		315.03
	431	6I-5137	614	6K-8178	63
	433	6I-5138	614		71
6E-5731	411	6I-5298	396		73
	413		397		77.02
	413.02	6I-5331	577		77.04
	413.04		578		77.10
	413.06	6I-5342	510		77.12
	413.08	6I-5470	503		77.18
	417	6I-6033	175		77.20
	417.04		177.04	6L-3616	613
	417.08		177.10		614
	427	6I-6075	647	6M-5062	436
	428		647.06		437
	431		647.12		464
	431.02		647.18	6P-2216	175
	433		653		177.04
6F-4855	69		653.06		177.10
	239.02		653.12		178
	241.02		653.18		180.04
6F-7045	100		653.24	6V-0400	295
6F-7556	25	6I-6123	66		297
6F-7557	25		67		299
6G-2256	75	6I-6354	625		317

PART NUMBER INDEX

Part.No	Page	Part.No	Page	Part.No	Page
	333.08		203		191
	357		215		239
	359		216		239.02
	361.02		217		241
	373		218		241.02
	374		219		242
	390		220		251
	399		221		253
	400		601		333
	401		603		333.04
	403		603.02		333.08
	411		603B		459
	413.02		604		515
	413.06		605		518
	415		606		613
	417.02		607		614
	417.06		608	8T-4134	95
	427		609		95.04
	428		610		493
	431		611		497
	431.02		612		501
	433		612.01		522
	533	8T-4127	95.08		533
	535		95.12	8T-4136	28
	549		95.16		35
	551		95.20		43.01
	551.01	8T-4131	185.02		45
	552		251		52
	554		253		73
	558	8T-4132	281		75
	558.01		615		77.04
	573		616		77.06
	581		617		77.12
	585	8T-4133	62		77.14
	589		63		77.20
	590		71		77.22
	593		77.02		130
	613		77.10		173
	614		77.18		177.02
8T-4123	30		153		177.08
	169		155		201
	169.02		157.02		203
	171		180.03		239
	185.02		188		239.02

PART NUMBER INDEX

Part.No	Page	Part.No	Page	Part.No	Page
085-9246	61.02		61.10	086-0322	627
	61.09	085-9683	61.03	086-0950	581
085-9247	61.02		61.10	086-1088	275
	61.09	085-9684	61.03	086-2746	276
085-9258	61.03		61.10		277
	61.10	085-9685	61.03		278
085-9259	61.03		61.10		279
	61.10	085-9686	61.03		280
085-9261	61.04		61.10	087-3908	175
	61.11	085-9832	61.01		177.04
085-9265	61.05		61.08		177.10
	61.12	085-9838	61.02	087-3909	175
085-9267	61.05		61.09		177.04
	61.12	085-9865	61.05		177.10
085-9269	61.05		61.12	087-4402	329
	61.12	085-9882	61.05		337
085-9271	61.06		61.12		339
	61.13	085-9883	61.05		343
085-9275	57		61.12		345
	57.01	085-9884	61.05		349
085-9429	150		61.12		355
085-9492	593	085-9885	61.05	087-4441	333.02
085-9513	21		61.12		333.06
085-9645	61.05	085-9886	61.05	087-4456	331
	61.12		61.12		333.02
085-9652	61.06	085-9887	61.06		333.06
	61.13		61.13	087-4480	351
085-9653	61.05	085-9888	61.01		353
	61.12		61.07	087-4503	333.02
085-9655	61.05		61.08		333.06
	61.12		61.14	087-4531	329
085-9658	61.05	085-9899	61.07		331
	61.12		61.14		333.02
085-9659	61.01	085-9906	61.04		333.06
	61.08		61.11	087-4532	331
085-9677	61.05	085-9909	61.05		333.02
	61.12		61.12		333.06
085-9678	61.05	085-9914	61.05	087-4534	329
	61.12		61.12	087-4707	459
085-9679	61.05	085-9936	61.06	087-4710	459
	61.12		61.13	087-4742	389
085-9680	61.05	086-0255	269	087-4743	389
	61.12		273	087-4757	389
085-9682	61.03	086-0321	627	087-4786	389

PART NUMBER INDEX

Part.No	Page	Part.No	Page	Part.No	Page
	77.10		455.02	120-5063	643
	77.12		457		647.02
	77.14		457.02		649
	77.16	118-4057	249		653.02
	77.18		389	120-5107	643
	77.20	118-4086	425		647.02
	77.22	118-4087	425		647.08
	77.24	118-5982	604		647.14
	137		605		649
	148		606		653.02
	153		607		653.08
	371.02		609		653.14
	561		610		653.20
116-0210	537		611	120-7164	216
	538		612	120-7165	217
	539		612.01	120-7167	218
116-0227	153	118-6054	654	120-7168	219
	161		656	120-7215	205
116-1517	541		657	120-7224	613
116-3522	258	118-9784	30	120-7724	115
	259	118-9785	30	120-9027	553
117-1372	234	118-9863	593	121-0987	130
	235	118-9864	593	121-1022	97
117-4166	640	118-9865	593		99
117-5540	205	118-9867	593		99.02
	206	118-9930	30		99.04
117-6305	515	119-2395	317		99.06
117-6306	513	119-2399	319		99.08
	515	119-3662	87.02		99.10
117-6349	399	119-5026	107		99.12
117-6350	399		555		99.14
117-6356	399		556		99.16
118-3949	264		557		99.18
	276	119-5360	453		99.20
	276.01	119-5362	453		99.21
118-3951	265	119-5364	453		99B
	278	119-5365	453		99D
	278.01	119-5388	459	121-1023	95
118-3957	264	119-5389	459		95.04
	277	119-5391	459		95.08
	277.01	119-5392	459		95.12
118-3968	266	119-5398	469		95.16
	279		470		95.20
118-4044	455	120-5054	658		95D

PART NUMBER INDEX

Part.No	Page	Part.No	Page	Part.No	Page
163-3540	595	163-6699	87		95.08
	604		87.02		95.12
163-3744	603	163-6701	119		95.16
	603.02		120.01		95.20
	604	163-6702	107		95D
	605	163-6703	95	163-6758	95
	606		95.04		95.04
	607		95.08		95.08
	608		95.12		95.12
	609		95.16		95.16
	610		95.20		95.20
	611		95D		95D
	612		104	163-6763	106
	612.01	163-6704	157		108
163-3746	269		157.02	163-6764	108
163-3747	271		162		109
	271.02	163-6706	537	163-6765	108
163-3753	269	163-6707	538		110
163-3754	224	163-6709	539	163-6771	151
163-3755	224	163-6711	107	163-6779	71
163-4143	220	163-6718	129		77.02
	221	163-6719	129		77.10
	223	163-6720	128.01		77.18
163-6616	95.04	163-6721	561	163-6780	95
163-6623	118	163-6750	71		95.04
	120		77.02		95D
	482		77.10	163-6785	165
	483		77.18		553
163-6624	105		88	163-6786	73
163-6625	105	163-6751	95		77.04
	106		95.08		77.12
163-6626	105		95.12		77.20
	107		95.16	163-6787	119
163-6629	130		95.20		120.01
163-6631	156		95D		121
163-6632	129	163-6752	95	163-6788	121
	530	163-6753	95		122
163-6633	538		95.04		123
163-6634	537		95D	163-6789	121
163-6636	539	163-6754	95		124
163-6637	80		95.04		125
	83.01		95D	163-6790	87
163-6659	87	163-6757	95		87.02
	87.02		95.04		122

PART NUMBER INDEX

Part.No	Page	Part.No	Page	Part.No	Page
178-5787	175	178-5862	254	178-5909	331
	177.04	178-5865	186		333.02
	177.10		187		333.06
178-5789	193	178-5866	187	178-5914	331
	193.02	178-5868	186		333.02
178-5801	189	178-5870	186		333.06
178-5802	193	178-5871	186	178-5915	333
	193.02	178-5875	293		333.04
178-5805	193		309		333.08
	193.02	178-5879	291	178-5918	357
178-5806	193		293	178-5922	374
178-5807	193		309	178-5925	322
178-5821	175	178-5883	333		362
	177.04		333.04	178-5926	322
	177.10		333.08		336
178-5822	175	178-5885	335	178-5927	322
	177.04		341		334
	177.10		347	178-5928	322
178-5824	175		351		364
	177.04	178-5897	335	178-5929	322
	177.10		341		338
178-5829	196		347	178-5930	322
178-5830	196		351		340
	199	178-5898	335	178-5931	324
178-5831	199		341		370
178-5832	69		347	178-5932	324
	69.02		351		348
	69.04	178-5901	347	178-5933	324
178-5833	178		351		350
	180.04	178-5902	333	178-5935	326
178-5842	550		333.04		354
178-5844	180		333.08	178-5936	374
	180.07	178-5903	333	178-5937	374
178-5845	173		333.04	178-5941	321
	177.02		333.08	178-5943	321
	177.08	178-5904	333	178-5945	359
	180.08		333.04		361.02
178-5846	173		333.08	178-5949	361
	177.02	178-5907	333		361.04
	177.08		333.04	178-5950	361
	180.08		333.08		361.04
178-5847	182	178-5908	333	178-5951	361
178-5849	184		333.04		361.04
178-5853	186		333.08	178-5955	333

CLICK HERE TO **DOWNLOAD** THE COMPLETE MANUAL

- Thank you very much for reading the preview of the manual.
- You can download the complete manual from: www.heydownloads.com by clicking the link below



- Please note: If there is no response to CLICKING the link, please download this PDF first and then click on it.

CLICK HERE TO **DOWNLOAD** THE COMPLETE MANUAL