

---

# **318C LN Track-Type Excavator**

---

**Powered by 3066 Engine**

**SERIAL NUMBER**

**CWP1 To Last Built(Vehicle)**

**7JK52701 To Last Installed(Engine)**

CLICK HERE TO **DOWNLOAD** THE COMPLETE MANUAL

- Thank you very much for reading the preview of the manual.
- You can download the complete manual from: [www.heydownloads.com](http://www.heydownloads.com) by clicking the link below



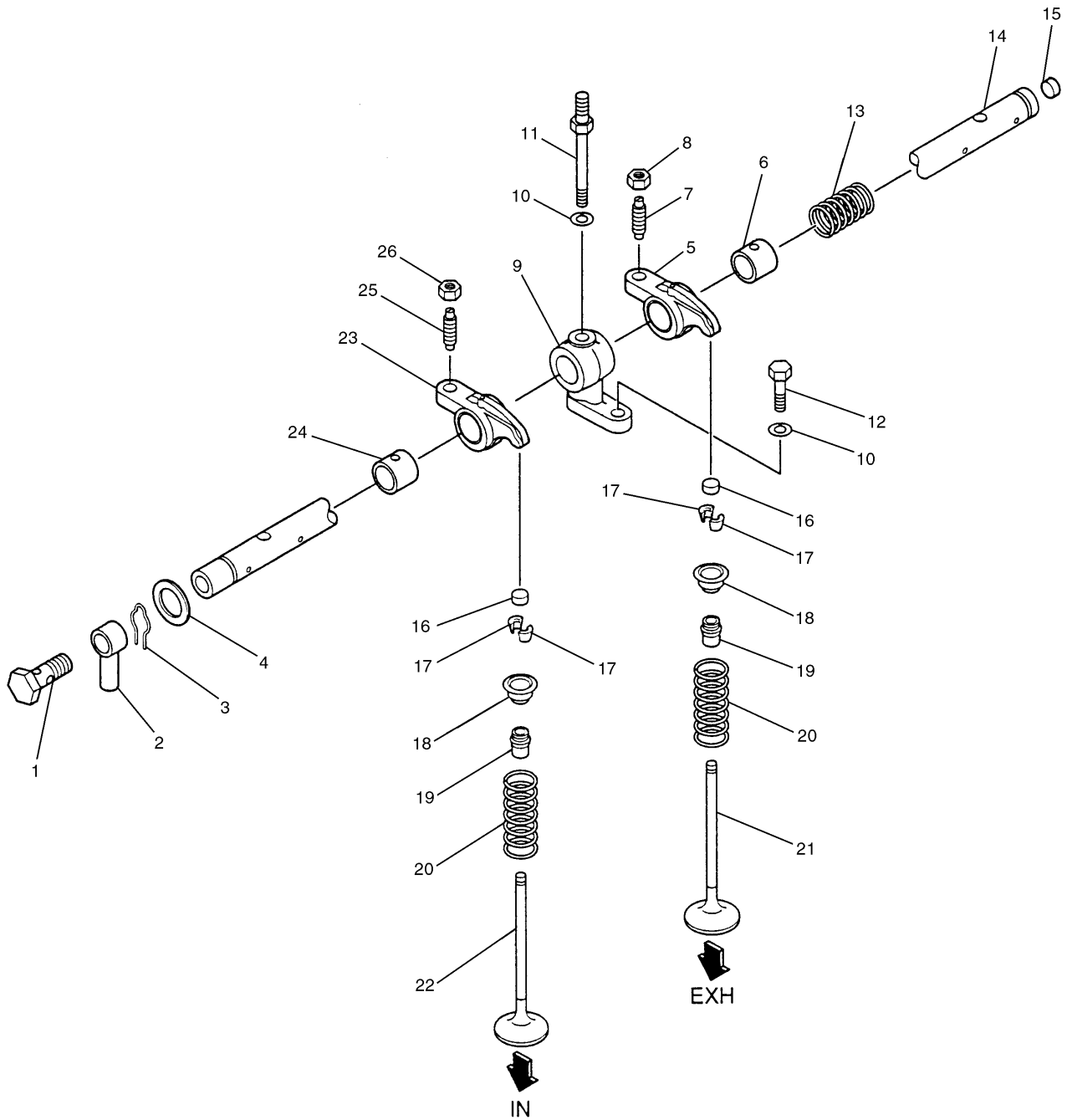
- Please note: If there is no response to CLICKING the link, please download this PDF first and then click on it.

CLICK HERE TO **DOWNLOAD** THE COMPLETE MANUAL

# INDEX

Name	Page	Name	Page
LINES GP - ENGINE OIL .....	31		
LINES GP - FRONT.....	340		
LINES GP - FUEL.....	60		
	70		
LINES GP - GREASE .....	587		
LINES GP - HEATER.....	564		
LINES GP - OIL DRAIN .....	37		
LINES GP - PILOT.....	314		
LINES GP - PUMP.....	306		
LINES GP - QUICK COUPLER .....	303.01		
LINES GP - RETURN & FILTER .....	362		
LINES GP - STICK .....	277		
LINES GP - STICK CYLINDER.....	270		
LINES GP - SWING MOTOR.....	364		
LINES GP - TRAVEL MOTOR .....	304		
LINES GP - TURBOCHARGER OIL .....	36		
LINES GP - WATER.....	43		
LINK AS.....	535		
LINK AS - TRACK.....	222		
LINKAGE AR - BUCKET.....	573		
LINKAGE GP - BUCKET .....	588		
LITERATURE GP .....	547		
 <b>M</b> 			
MANIFOLD GP - EXHAUST .....	56		
MANIFOLD GP - INLET.....	55		
MIRROR GP - REAR VIEW.....	530		
MONITOR & MTG GP - OPERATOR .....	512		
MONITOR GP - OPERATOR.....	513		
MOTOR & MTG GP - SWING .....	372		
MOTOR & MTG GP - TRAVEL .....	377		
MOTOR AS - WINDOW WIPER .....	503		
MOTOR GP - SWING.....	373		
MOTOR GP - TRAVEL.....	378		
MOUNTING GP - ALTERNATOR.....	30.01		
MOUNTING GP - ENGINE.....	30		
MOUNTING GP - GREASE GUN.....	184		
MOUNTING GP - STARTING MOTOR.....	144		
MOUNTING GP - VALVE.....	396		
MUFFLER GP.....	54		
		<b>N</b>	
		NOZZLE GP - UNIT INJECTOR .....	57
		 <b>P</b> 	
		PAN GP - OIL.....	29
		PANEL GP - CIRCUIT BREAKER .....	90
		PIN GP.....	598.01
		PISTON & ROD GP .....	23
		PLATE & FILM GP .....	610
		PLATFORM GP - OPERATOR.....	531
		PLUG GP .....	421
			470.03
		PULLEY GP .....	30.02
		PUMP & MOUNTING GP .....	231
		PUMP AS - WATER .....	42
		PUMP GP - FUEL INJECTION .....	62
		PUMP GP - MAIN HYDRAULIC .....	234
		 <b>R</b> 	
		RADIATOR & HYD OIL COOLER GP .....	38
		RADIO GP - AM.....	517
		RADIO GP - AM/FM.....	518
		ROLLER AR - TRACK & CARRIER .....	216
		ROLLER GP - TRACK CARRIER .....	217
		ROLLER GP - TRACK - SINGLE FLANGE .....	218
		ROTOR GP - SWIVEL.....	381
		 <b>S</b> 	
		SCREEN GP.....	230
		SEAT BELT GP .....	544
		SEAT GP.....	539
		SEPARATOR - WATER .....	70.03
		SIDECUTTER GP .....	599
		SPROCKET GP - NONSEGMENTED.....	168
		STARTING MOTOR GP - ELECTRIC .....	146
		STICK AR - COUPLER .....	572.01
		STICK AR - HOE.....	571
		STICK GP .....	584
		STICK GP - COUPLER .....	586.01
		STICK GP - HOE .....	580

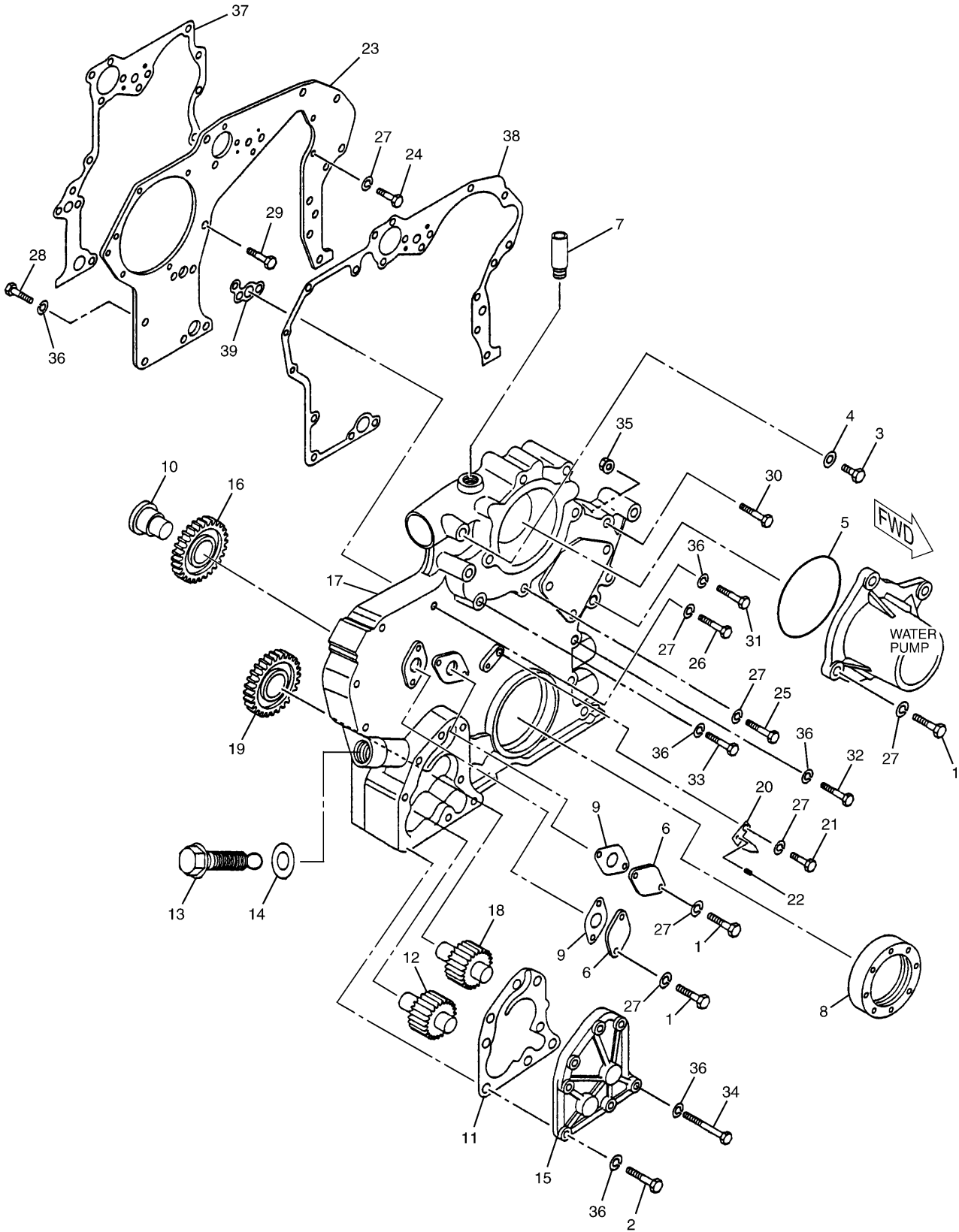
# BASIC ENGINE



H77994E 00

**212-8544 VALVE MECHANISM GP**  
Part of 201-3714-Page12

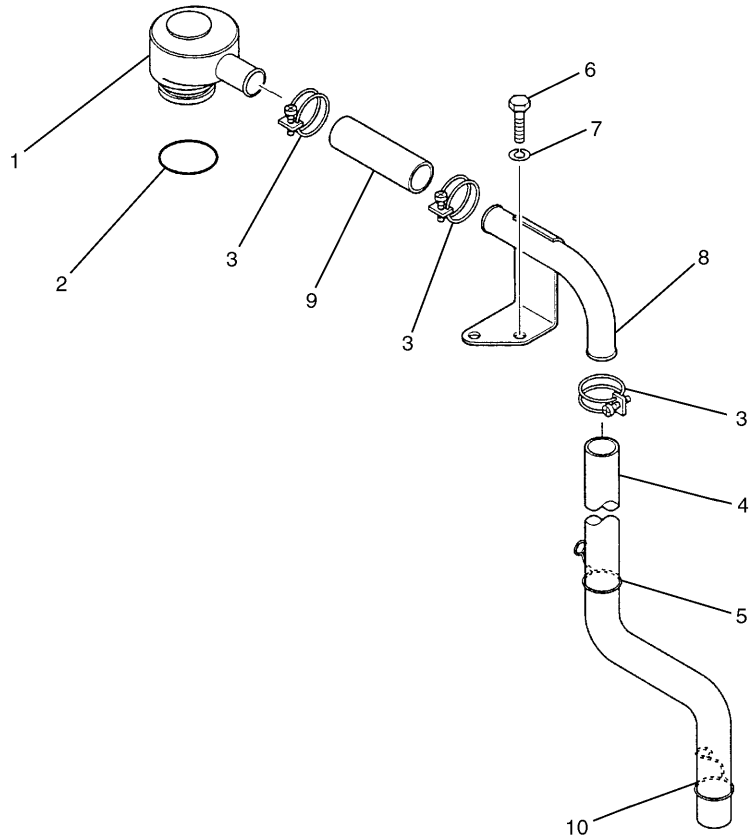
# BASIC ENGINE



H83873E 01

**217-5477 HOUSING GP-FRONT**  
Part of 201-3714-Page12

# LUBRICATION SYSTEM

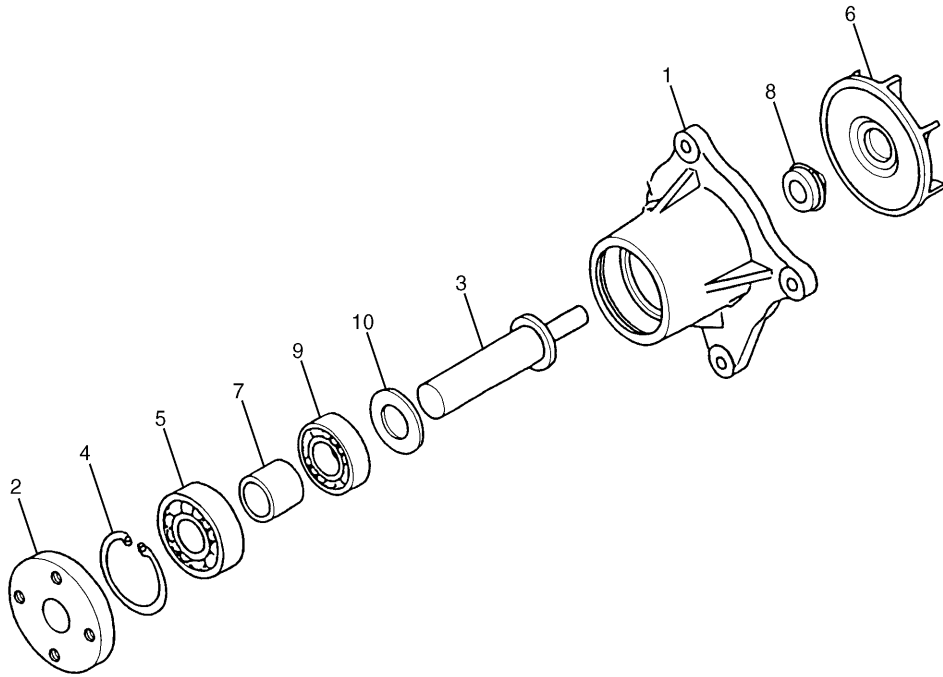


NOTE	No.	PART No.	QTY	PART NAME	NOTE	No.	PART No.	QTY	PART NAME
	1	51-7725	1	BREATHER					
	2	094-9672	1	SEAL-O-RING (ID=41.20mm)					
	3	2S-3440	3	CLAMP					
	4	183-8263	1	TUBE					
	5	178-6534	1	SUPPORT					
	6	8T-4137	2	BOLT (L=20mm)					
	7	7X-0796	2	LOCKWASHER					
	8	51-7645	1	PIPE					
	9	51-4940	1	TUBE					
	10	51-7726	1	STAY					

H83880E 01

**178-6540 BREATHER GP**  
Part of 201-3714-Page12

# COOLING SYSTEM



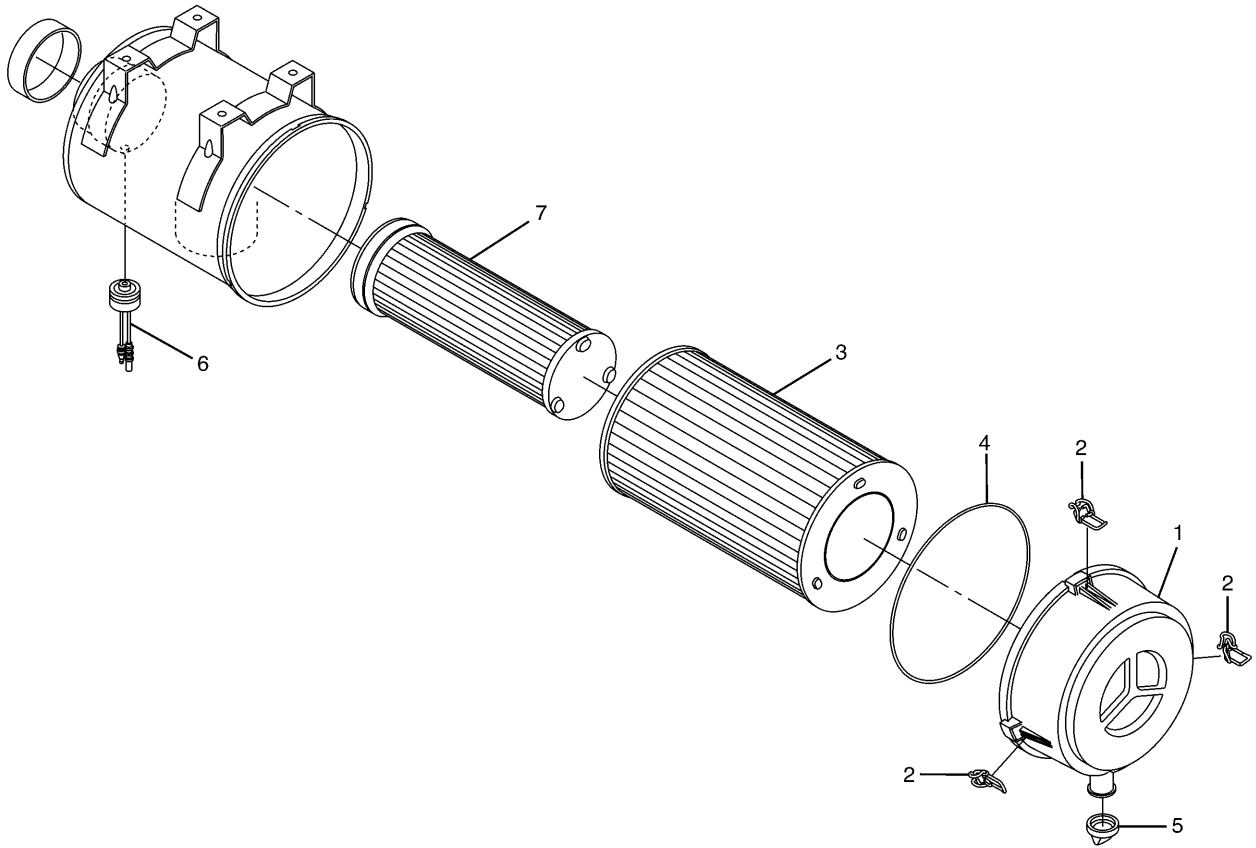
NOTE	No.	PART No.	QTY	PART NAME	NOTE	No.	PART No.	QTY	PART NAME
Z	1		1	CASE					
	2	51-7696	1	FLANGE					
	3	178-6635	1	SHAFT					
	4	8T-9598	1	RING					
	5	5L-6326	1	BEARING					
	6	178-6634	1	IMPELLER					
	7	51-7697	1	SPACER					
	8	178-6636	1	SEAL					
	9	2H-3814	1	BEARING					
	10	125-2947	1	WASHER					

Z-NOT SERVICED

H81949E 00

**178-6633 PUMP AS-WATER**  
Part of 201-3714-Page12

# AIR INLET AND EXHAUST SYSTEM

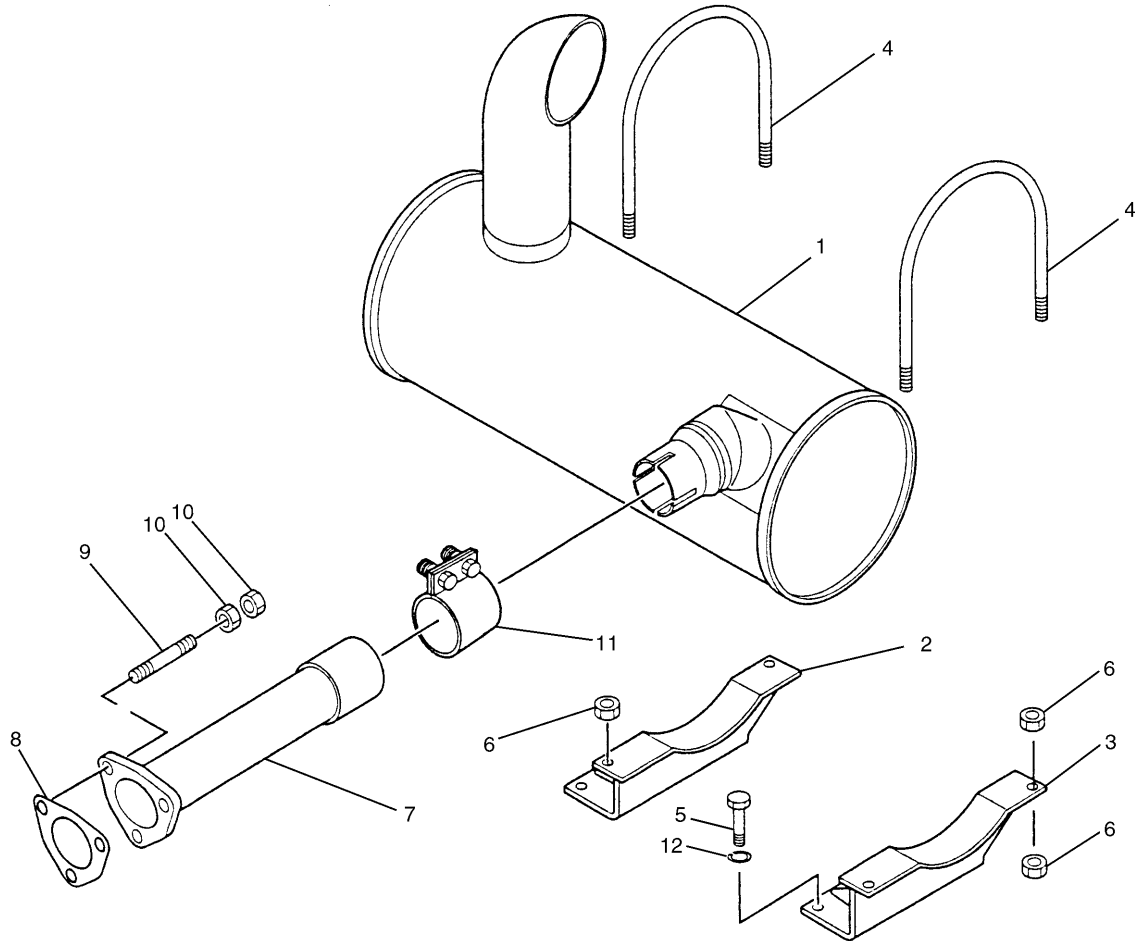


NOTE	No.	PART No.	QTY	PART NAME	NOTE	No.	PART No.	QTY	PART NAME
	1	135-5784	1	COVER AS					
	2	135-5700	3	LATCH					
	3	135-5788	1	ELEMENT AS					
	4	135-5786	1	SEAL					
	5	096-4177	1	VALVE					
	6	255-2966	1	INDICATOR AS					
	7	135-5787	1	ELEMENT AS					

H91091E 02

**212-8642 AIR CLEANER GP**  
Part of 131-8974-Page47

# AIR INLET AND EXHAUST SYSTEM

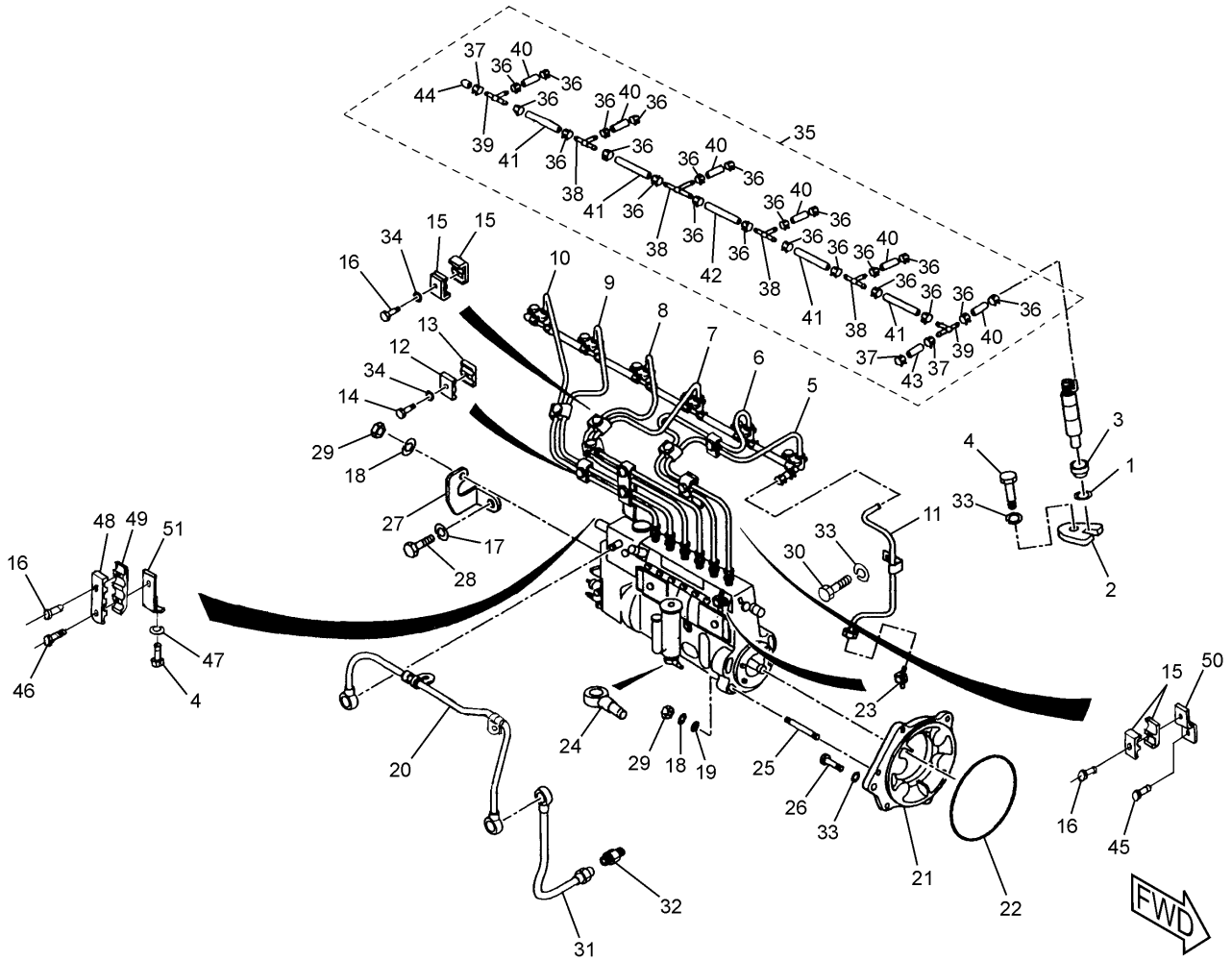


NOTE	No.	PART No.	QTY	PART NAME	NOTE	No.	PART No.	QTY	PART NAME
	1	266-6251	1	MUFFLER					
	2	212-8581	1	BRACKET					
	3	212-8582	1	BRACKET					
	4	212-8583	2	U-BOLT					
	5	8T-4136	4	BOLT (L=25mm)					
	6	6V-8231	8	NUT					
	7	51-8040	1	PIPE					
	8	51-7679	1	GASKET					
	9	178-6554	3	STUD					
	10	51-7633	6	NUT					
	11	094-7583	1	CLAMP AS					
	12	7X-0796	4	LOCKWASHER					

H90822E 01

**212-8553 MUFFLER GP**  
Part of 201-3714-Page13

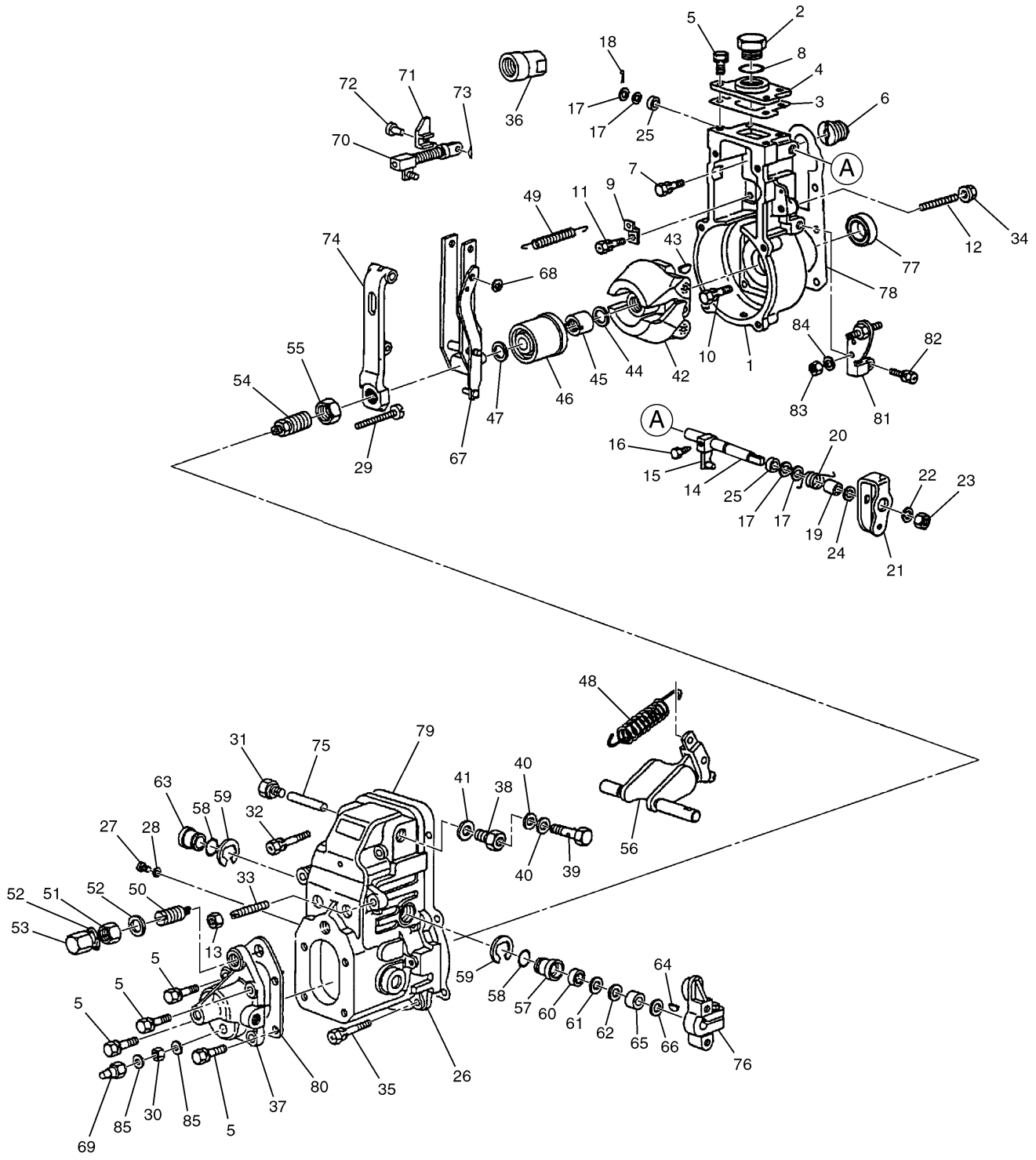
# FUEL SYSTEM



H91026E 03

**217-5480 LINES GP-FUEL**  
S/N CWP 00182-Up  
Part of 201-3714-Page13.02

# FUEL SYSTEM

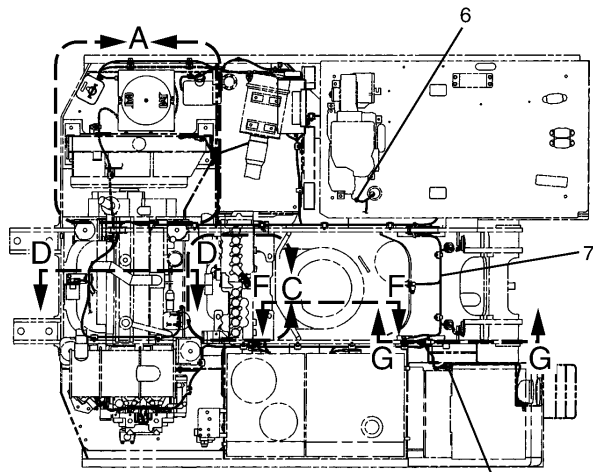


H94076E 04

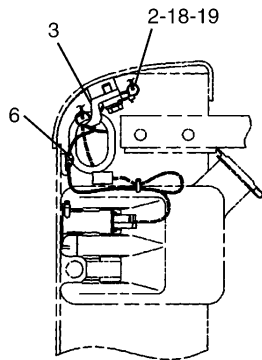
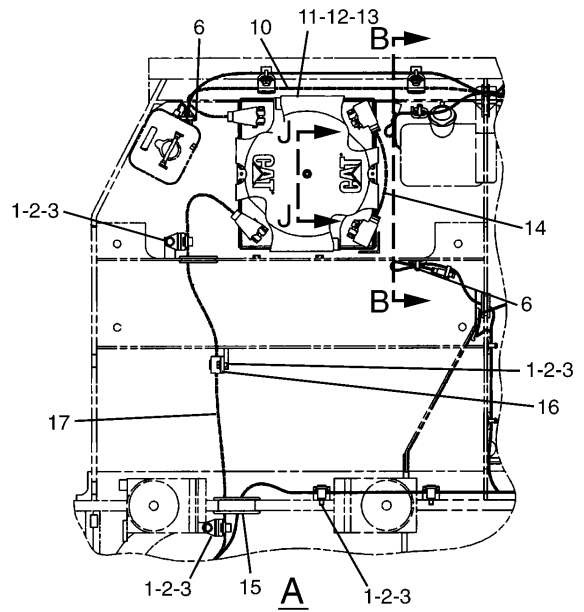
**233-1160 PUMP GP-FUEL INJECTION (2/3)**  
S/N CWP 00166-Up  
Part of 201-3714-Page13.02

# MEMORANDA

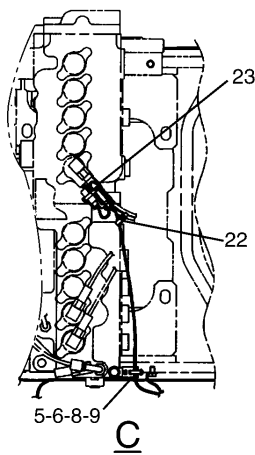
# ELECTRICAL AND STARTING SYSTEM



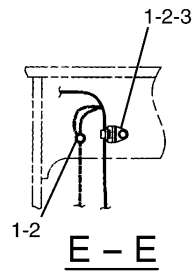
**TOP VIEW**



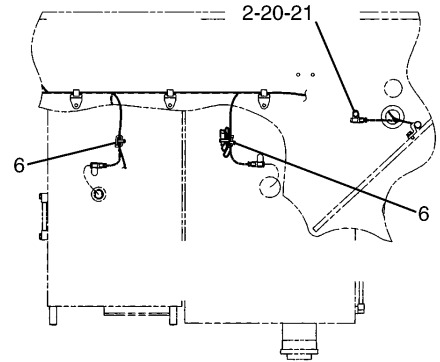
**B - B**



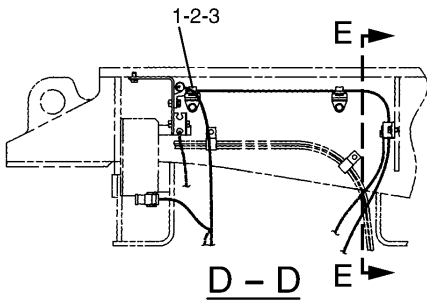
**C**



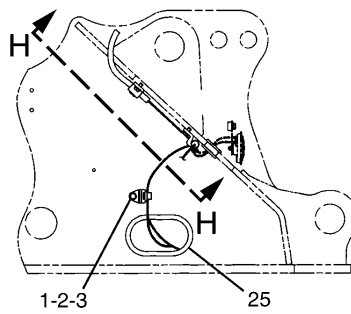
**E - E**



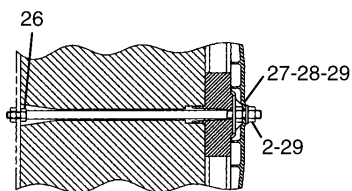
**F - F**



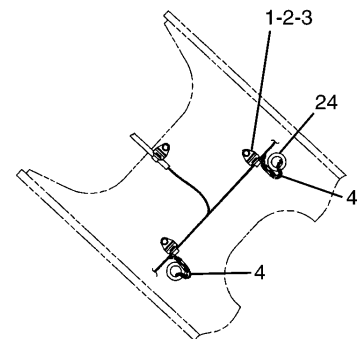
**D - D**



**G - G**



**J - J**



**H - H**

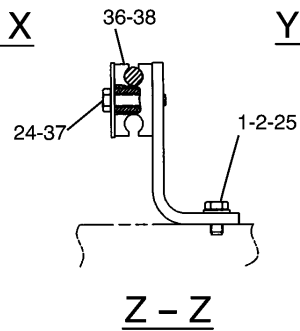
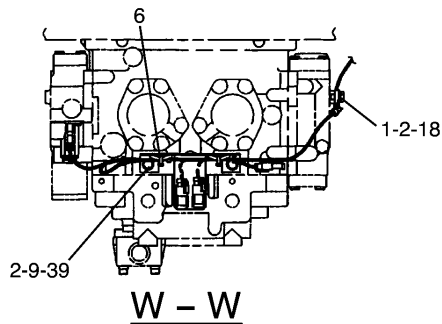
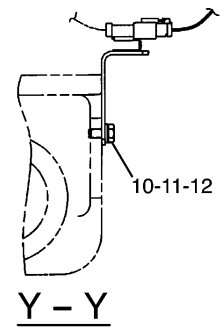
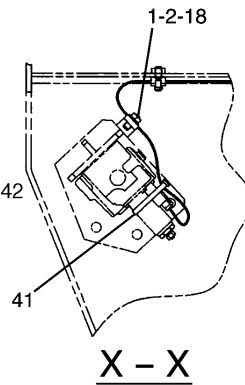
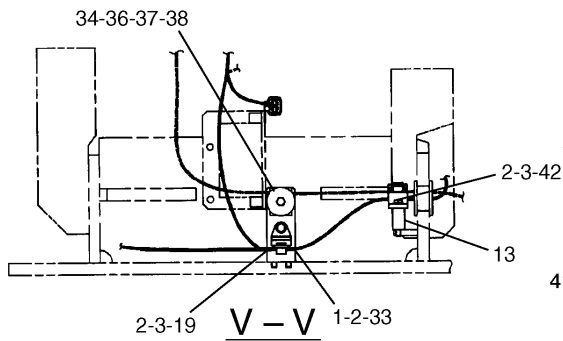
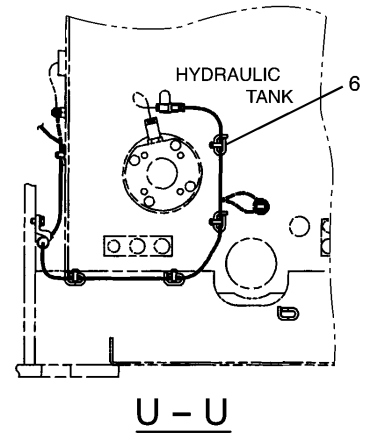
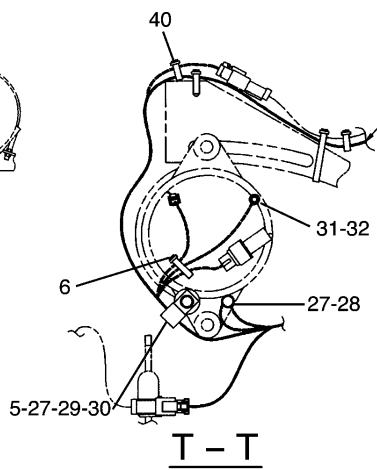
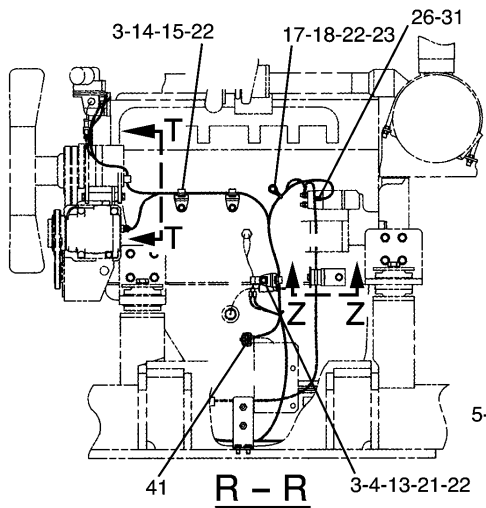
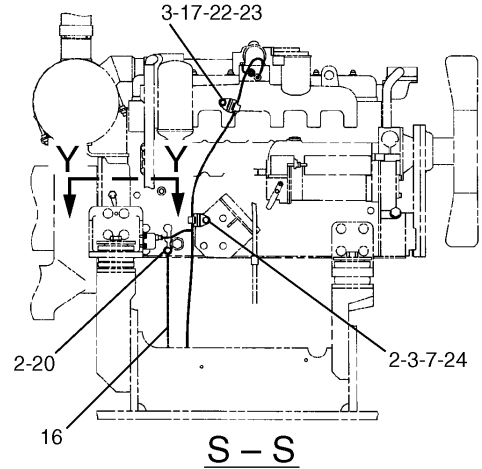
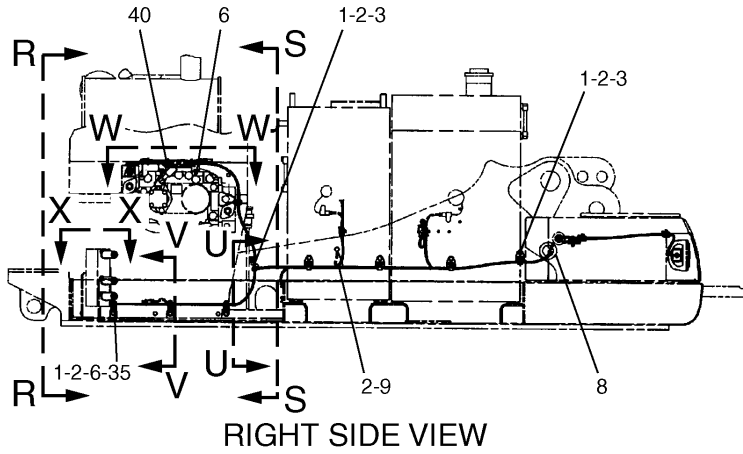
H87634E 05

## 197-4400 BATTERY & WIRING GP (1/3)

S/N CWP 1-00164

251-0197-Page82,197-4427,204-1893-Page88,170-6929,197-4428-Page89

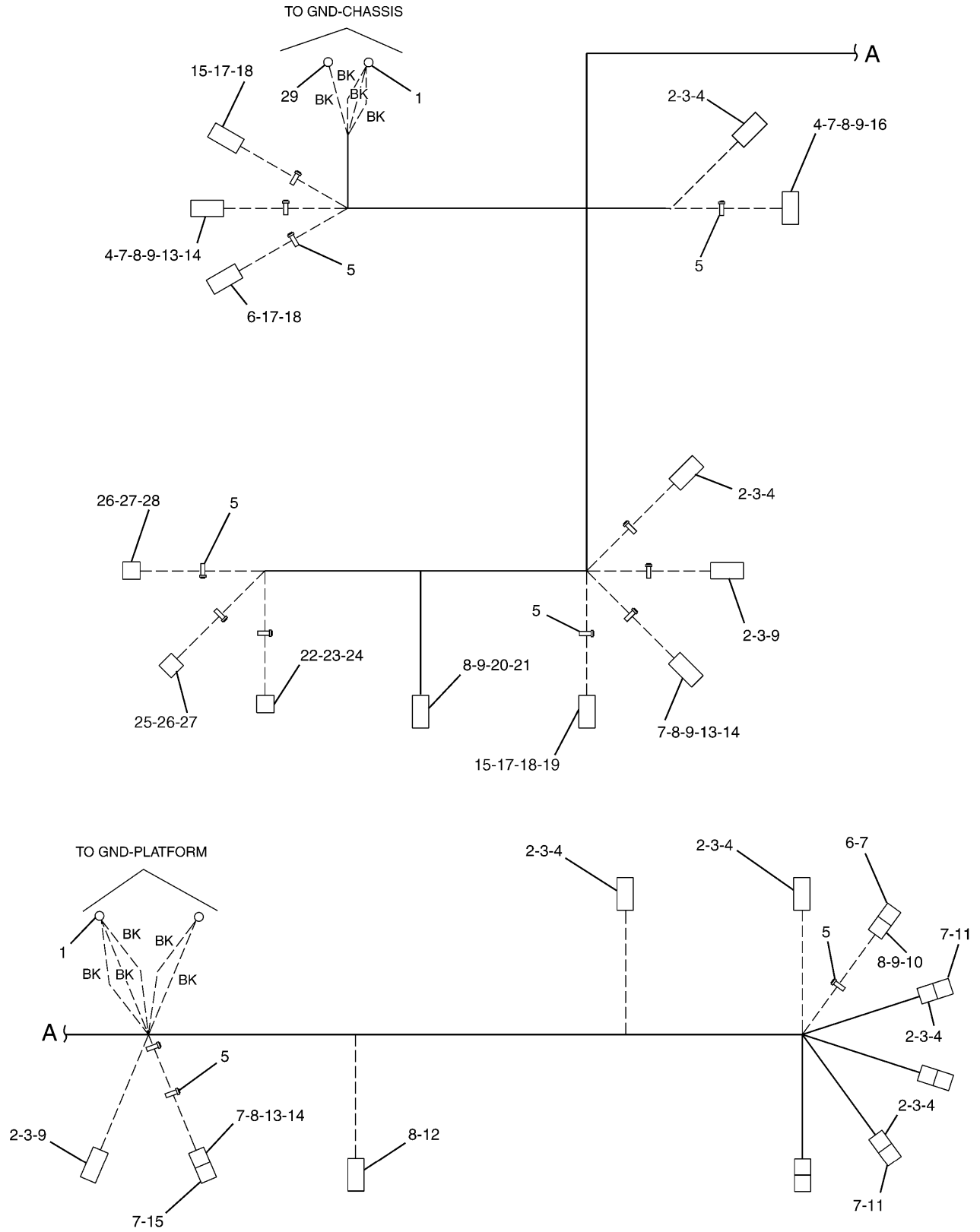
# ELECTRICAL AND STARTING SYSTEM



H87639E 08

**197-4400 BATTERY & WIRING GP (3/3)**  
S/N CWP 00165-Up

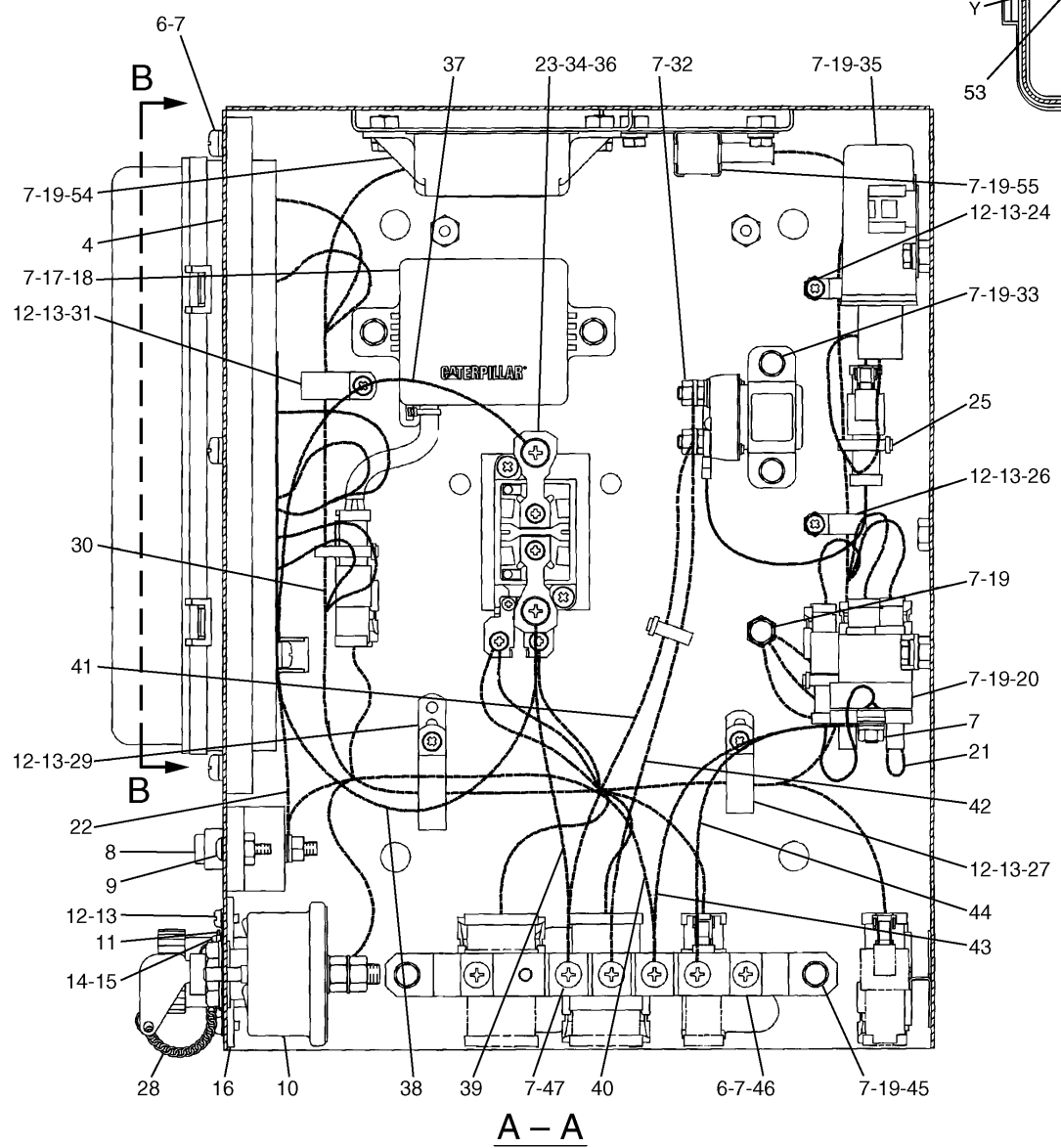
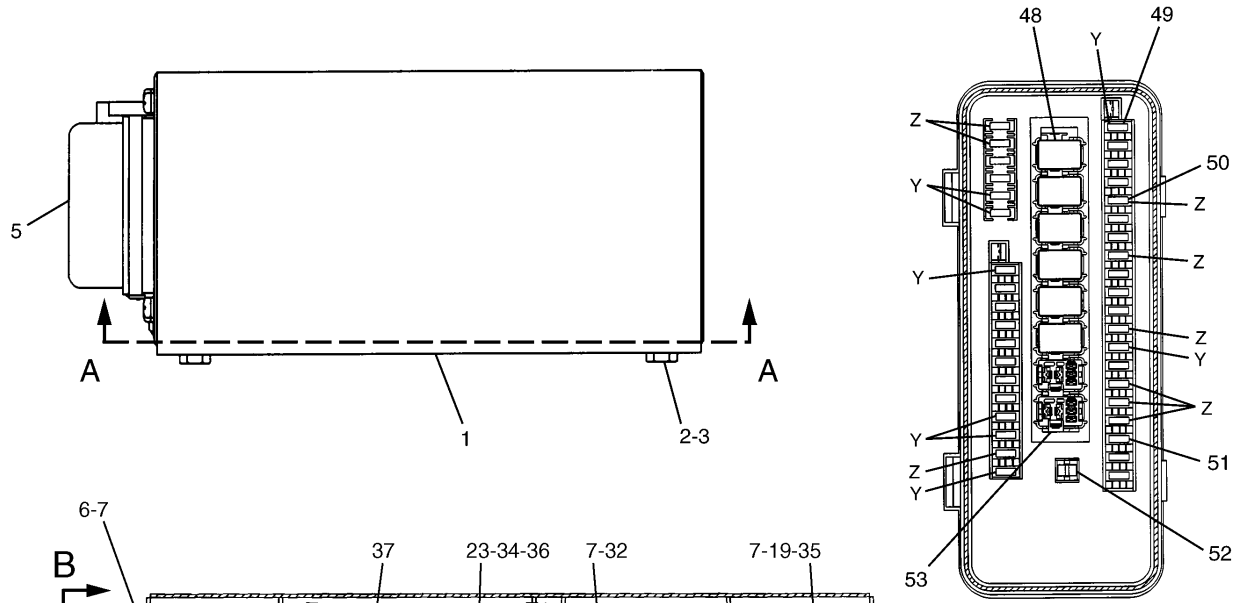
# ELECTRICAL AND STARTING SYSTEM



H86214E 00

**238-1537 HARNESS AS**  
 S/N CWP 00165-Up  
 Part of 197-4400-Page79.04

# ELECTRICAL AND STARTING SYSTEM



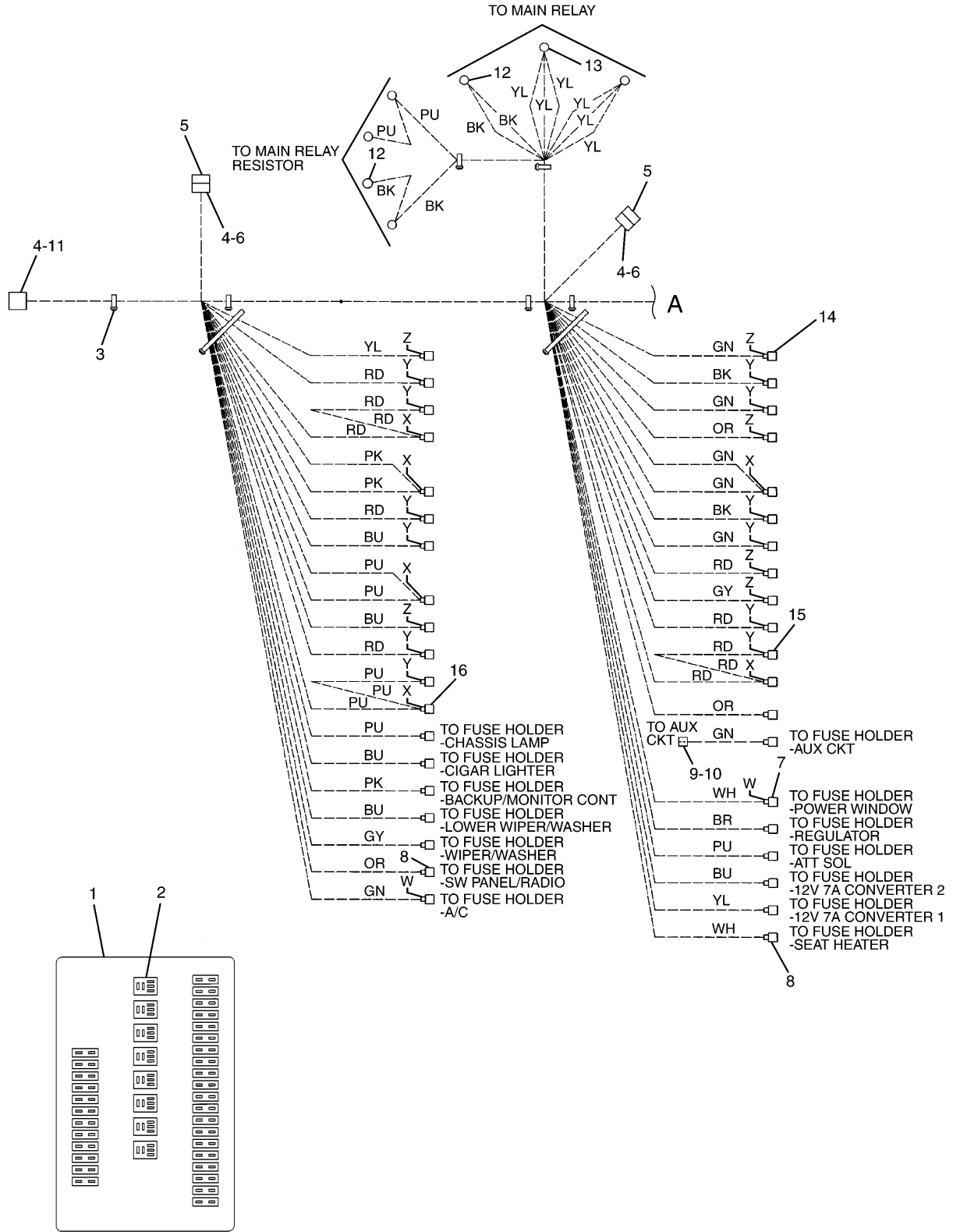
**B - B**

H88195E 04

## 204-1944 PANEL GP-CIRCUIT BREAKER S/N CWP (T02.09)-00180

Part of 197-4400-Page79.04,204-1943-Page80  
259-4868-Page101.01,7N-0718-Page102,125-1302-Page103,163-6703-Page104

# ELECTRICAL AND STARTING SYSTEM



H84019E 00

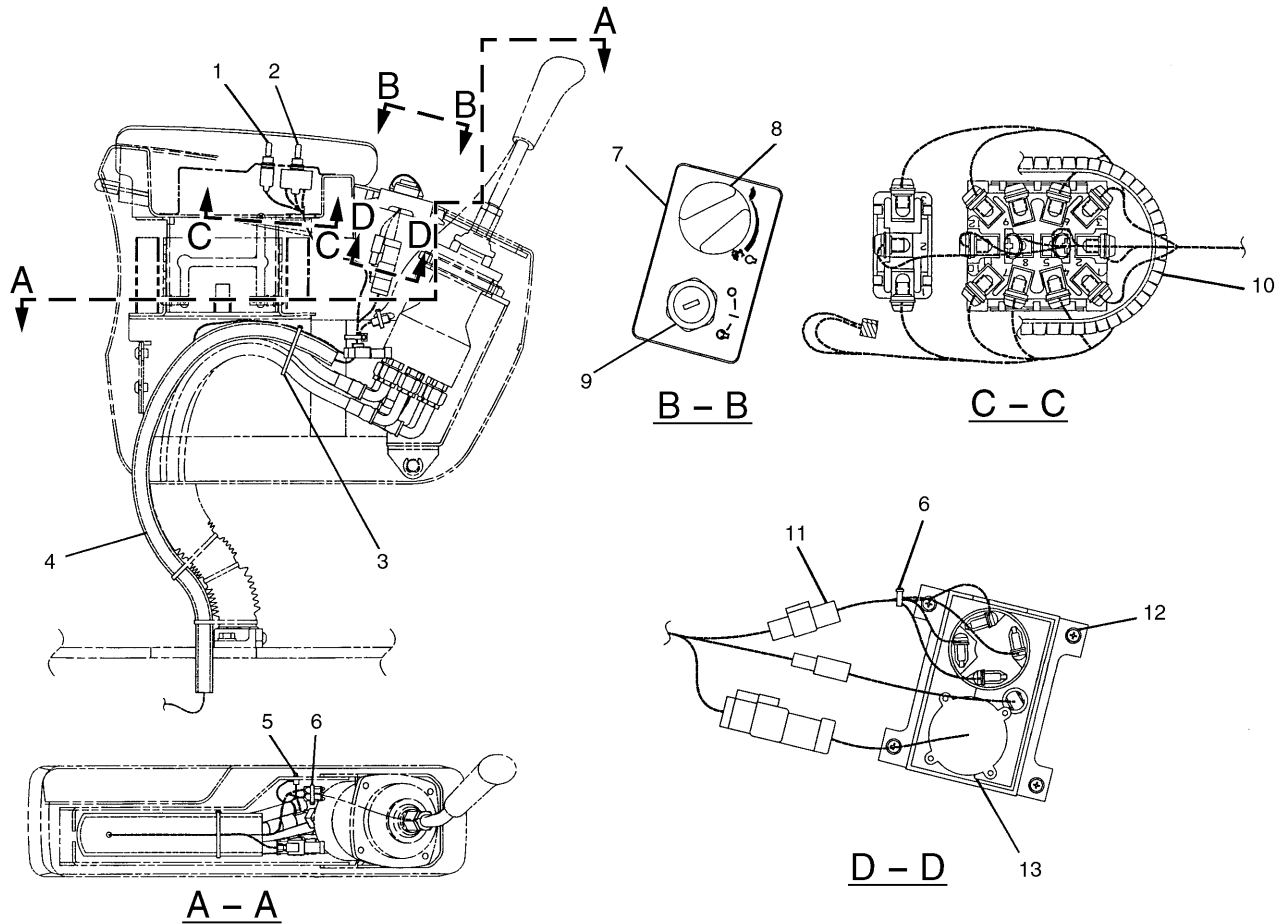
**204-1945 HARNESS AS (2/2)**  
 S/N CWP 1-(T02.08)  
 Part of 204-1944-Page93

# ELECTRICAL AND STARTING SYSTEM

	NOTE	No.	PART No.	QTY	PART NAME
		1	7Y-3951	4	TERMINAL
		2	7Y-3953	1	CONNECTOR
		3	7Y-3950	2	TERMINAL
		4	121-1022	2	DIODE
		5	7Y-3952	2	CONNECTOR
H89149E 00					

**267-7596 HARNESS AS**  
Part of 204-1944-Page93.04

# ELECTRICAL AND STARTING SYSTEM



NOTE	No.	PART No.	QTY	PART NAME	NOTE	No.	PART No.	QTY	PART NAME
	1	163-6711	1	SWITCH AS (BACKUP)					
	2	283-3074	1	SWITCH AS (BACKUP)					
	3	7K-1181	1	STRAP					
Y	4	197-4276	1	HARNESS AS					
	5	163-6795	1	STRAP					
	6	3S-2093	2	STRAP					
	7	163-6702	1	PANEL AS					
		170-9324	1	BULB AS					
	8	185-9208	1	KNOB AS					
		185-9209	1	SPRING					
		124-4003	1	PLATE					
Y	9	9G-7641	1	SWITCH GP (ENGINE STARTER)					
D	10	6V-5738		TRIM... (0.13m)					
Y	11	170-6828	1	HARNESS AS					
	12	119-5026	4	SCREW					
Y	13	106-0107	1	SWITCH AS (ACCELERATOR)					

D—ORDER BY THE METER  
Y—SEE SEPARATE ILLUSTRATION

H95198E 08

## 163-6626 WIRING GP-CONSOLE

Right Hand

Part of 163-6624-Page106

197-4276-Page112,170-6828-Page115,9G-7641-Page117,106-0107-Page118

# ELECTRICAL AND STARTING SYSTEM

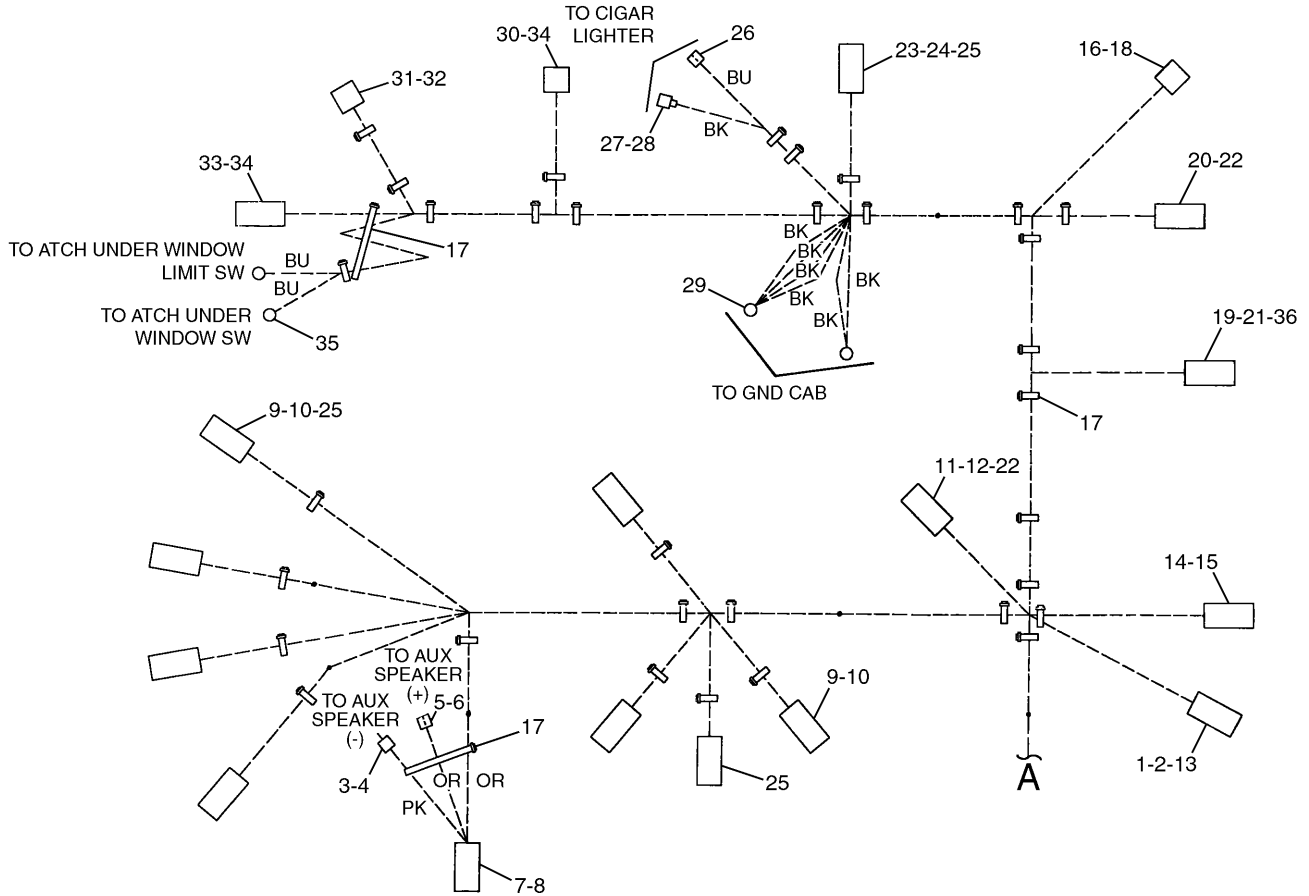
	NOTE	No.	PART No.	QTY	PART NAME
		1	2L-8075	4	TERMINAL
		2	120-7724	1	CONNECTOR
		3	7Y-3950	4	TERMINAL
H67109E 01					

**170-6829 HARNESS AS-CONSOLE**  
Part of 170-6828-Page115

	NOTE	No.	PART No.	QTY	PART NAME
		1	2L-8075	4	TERMINAL
		2	120-7724	1	CONNECTOR
		3	7Y-3950	4	TERMINAL
H67110E 01					

**170-6830 HARNESS AS-CONSOLE**  
Part of 170-6828-Page115

# ELECTRICAL AND STARTING SYSTEM



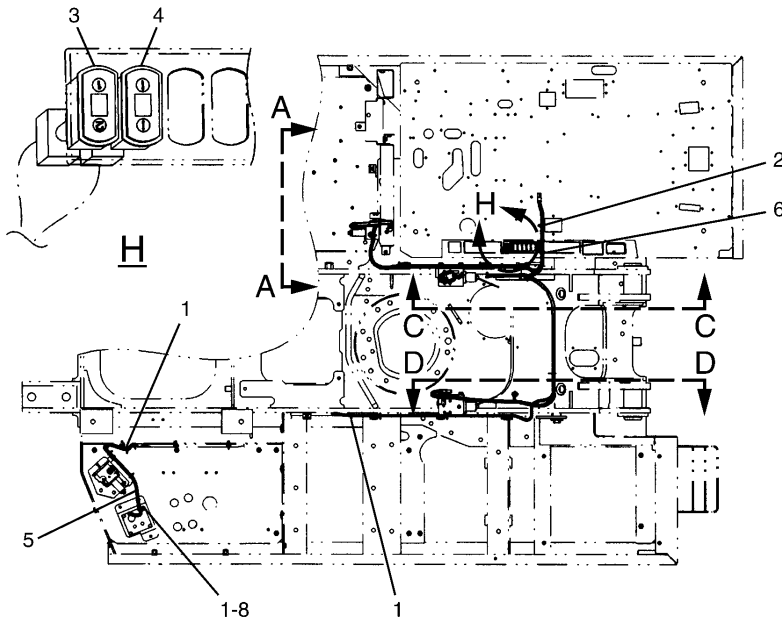
NOTE	No.	PART No.	QTY	PART NAME	NOTE	No.	PART No.	QTY	PART NAME
	1	163-6801	9	TERMINAL		21	186-3736	2	SOCKET
	2	170-6827	17	TERMINAL		22	125-4785	17	TERMINAL
	3	7Y-3962	1	TERMINAL		23	125-4840	1	WEDGE
	4	7Y-3964	1	TUBE		24	111-4816	1	CONNECTOR
	5	7Y-3963	1	TERMINAL		25	102-7965	46	TERMINAL
	6	7Y-3965	1	TUBE		26	5P-6271	1	CONNECTOR AS
	7	153-2541	1	CONNECTOR		27	153-2631	1	TERMINAL
	8	153-2540	10	TERMINAL		28	153-2602	1	CONNECTOR
	9	167-3487	8	WEDGE		29	2L-8066	2	TERMINAL
	10	163-6803	8	CONNECTOR		30	7Y-3952	1	CONNECTOR
	11	163-6804	1	CONNECTOR		31	121-1158	1	CONNECTOR
	12	163-6790	3	TERMINAL		32	121-1159	2	TERMINAL
	13	163-6800	1	CONNECTOR		33	7Y-3958	1	CONNECTOR
	14	121-1173	16	TERMINAL		34	7Y-3951	7	TERMINAL
	15	163-6799	1	CONNECTOR		35	2L-8076	2	TERMINAL
	16	121-1157	2	TERMINAL		36	155-2261	1	WEDGE
	17	3S-2093	35	STRAP					
	18	121-1156	1	CONNECTOR					
	19	155-2270	1	PLUG KIT					
	20	138-5184	1	CONNECTOR					

H84020E 06

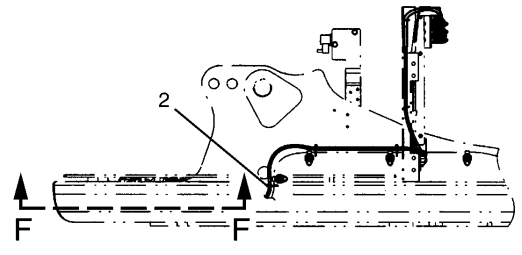
## 163-6788 HARNESS AS-WIRING (1/2)

Part of 163-6787-Page122

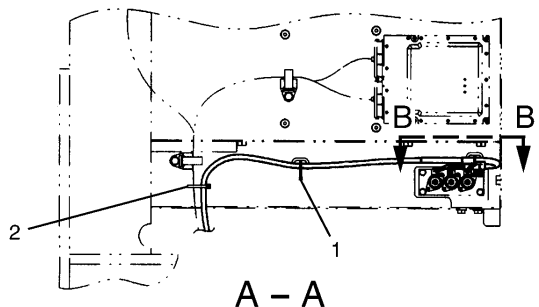
# ELECTRICAL AND STARTING SYSTEM



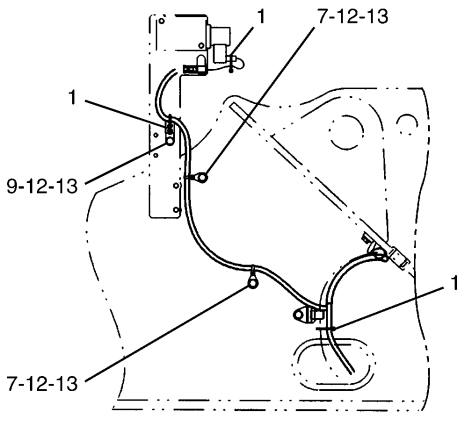
**TOP VIEW**



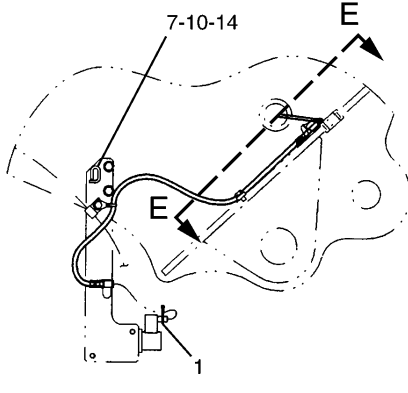
**LEFT SIDE VIEW**



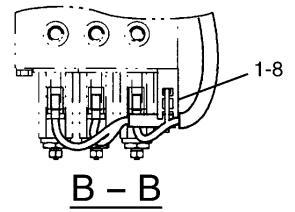
**A - A**



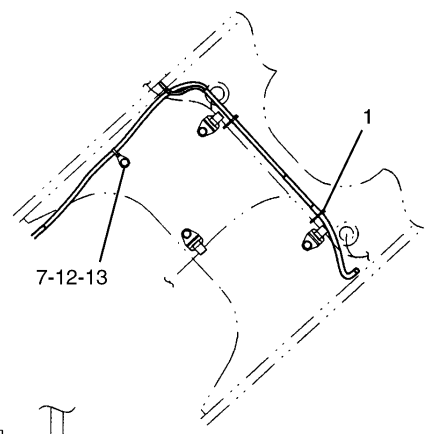
**C - C**



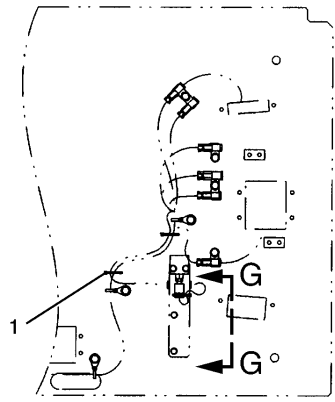
**D - D**



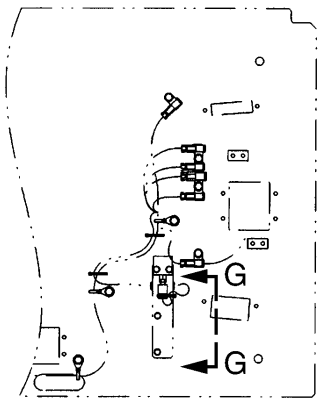
**B - B**



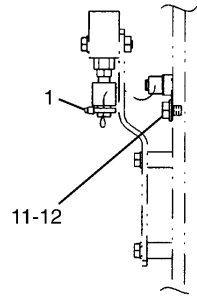
**E - E**



**CONFIG 11**



**CONFIG 2**



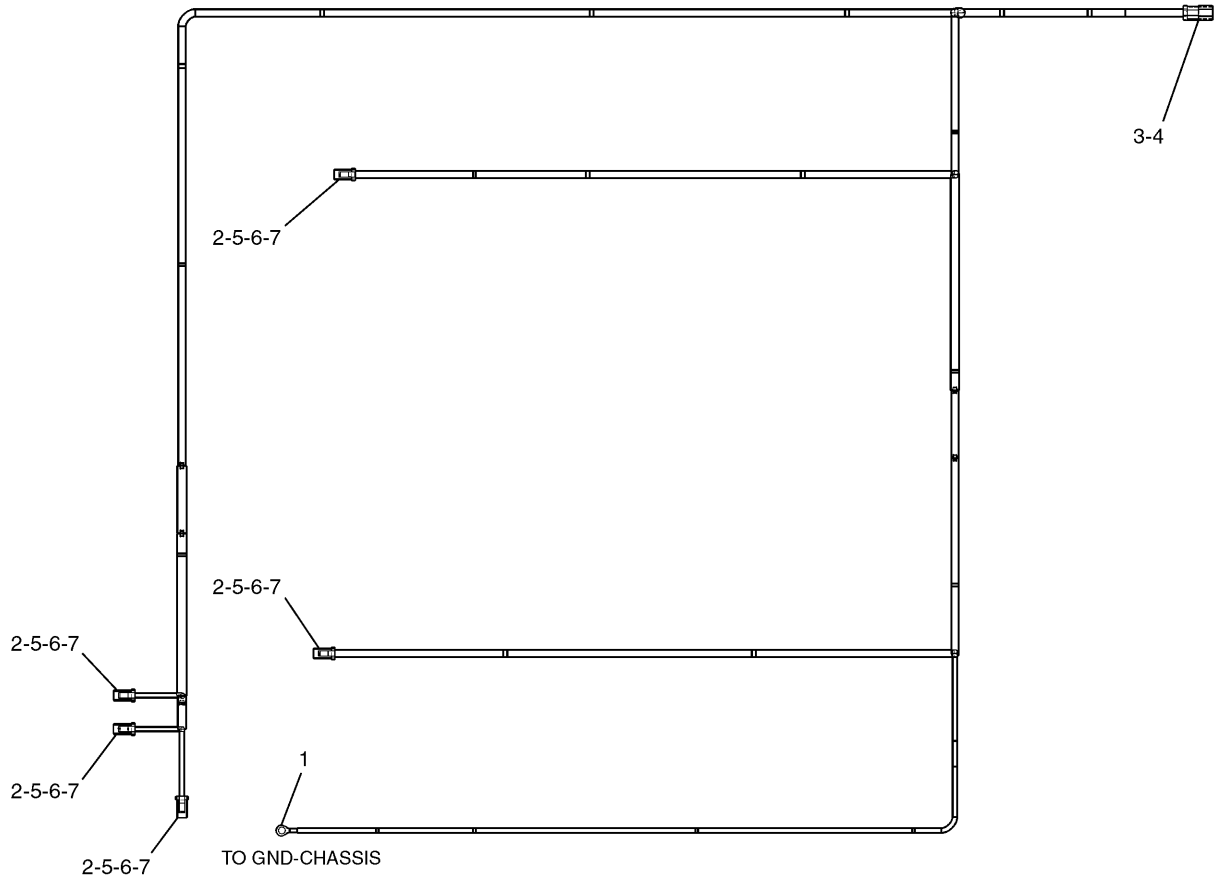
**G - G**

**F - F**

H84046E 01

**197-4404 WIRING GP**  
 S/N CWP 1-(T02.10)  
 Part of 200-6595-Page309,165-1119-Page310  
 204-1599-Page138,186-4603-Page139  
 An Attachment

# ELECTRICAL AND STARTING SYSTEM

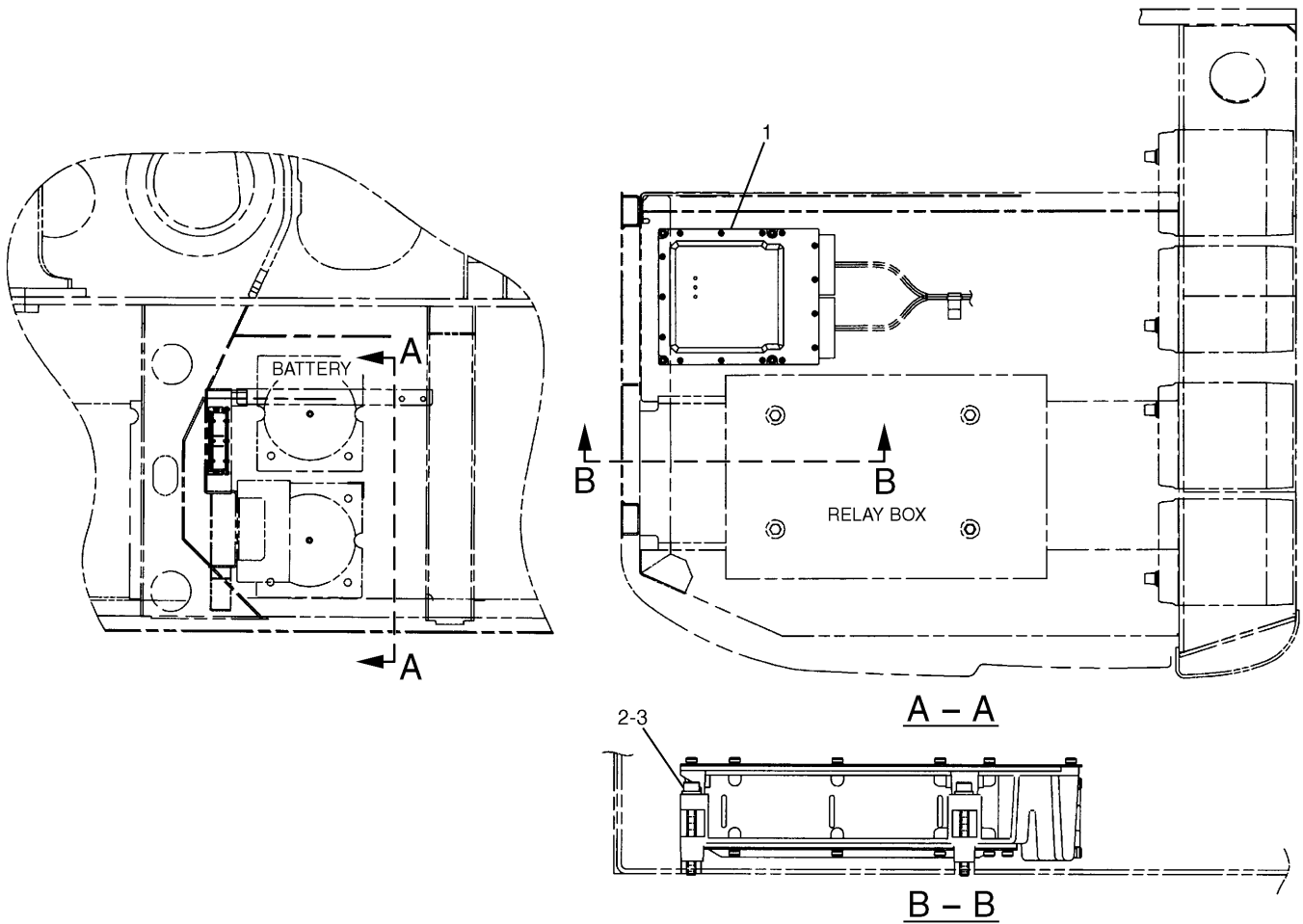


NOTE	No.	PART No.	QTY	PART NAME	NOTE	No.	PART No.	QTY	PART NAME
	1	2L-8079	1	TERMINAL					
	2	155-2270	5	PLUG KIT					
	3	102-8803	1	RECEPTACLE KIT					
	4	9W-0852	3	PIN					
	5	186-3736	5	SOCKET					
	6	9W-0844	5	SOCKET					
	7	155-2261	5	WEDGE					

H83900E 01

**204-1599 HARNESS AS-WIRING**  
 S/N CWP 1-(T02.10)  
 Part of 197-4404-Page135  
 An Attachment

# ELECTRICAL AND STARTING SYSTEM

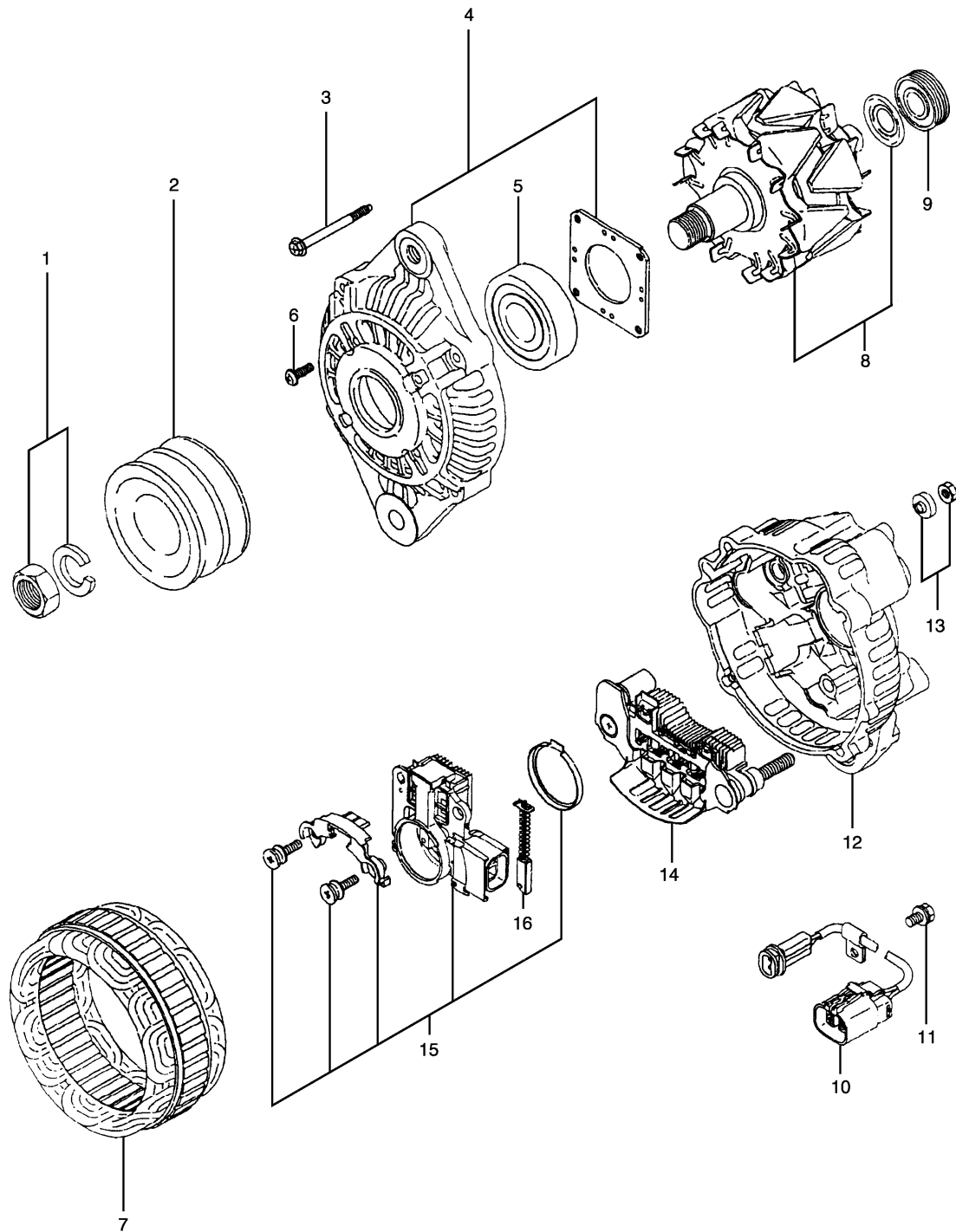


NOTE	No.	PART No.	QTY	PART NAME	NOTE	No.	PART No.	QTY	PART NAME
	1	157-3165	1	CONTROL GP					
	2	095-0645	4	BOLT (L=55mm)					
	3	9X-8256	4	WASHER					

H77650E 05

**157-3164 CONTROL & MTG GP-ELECTRONIC**

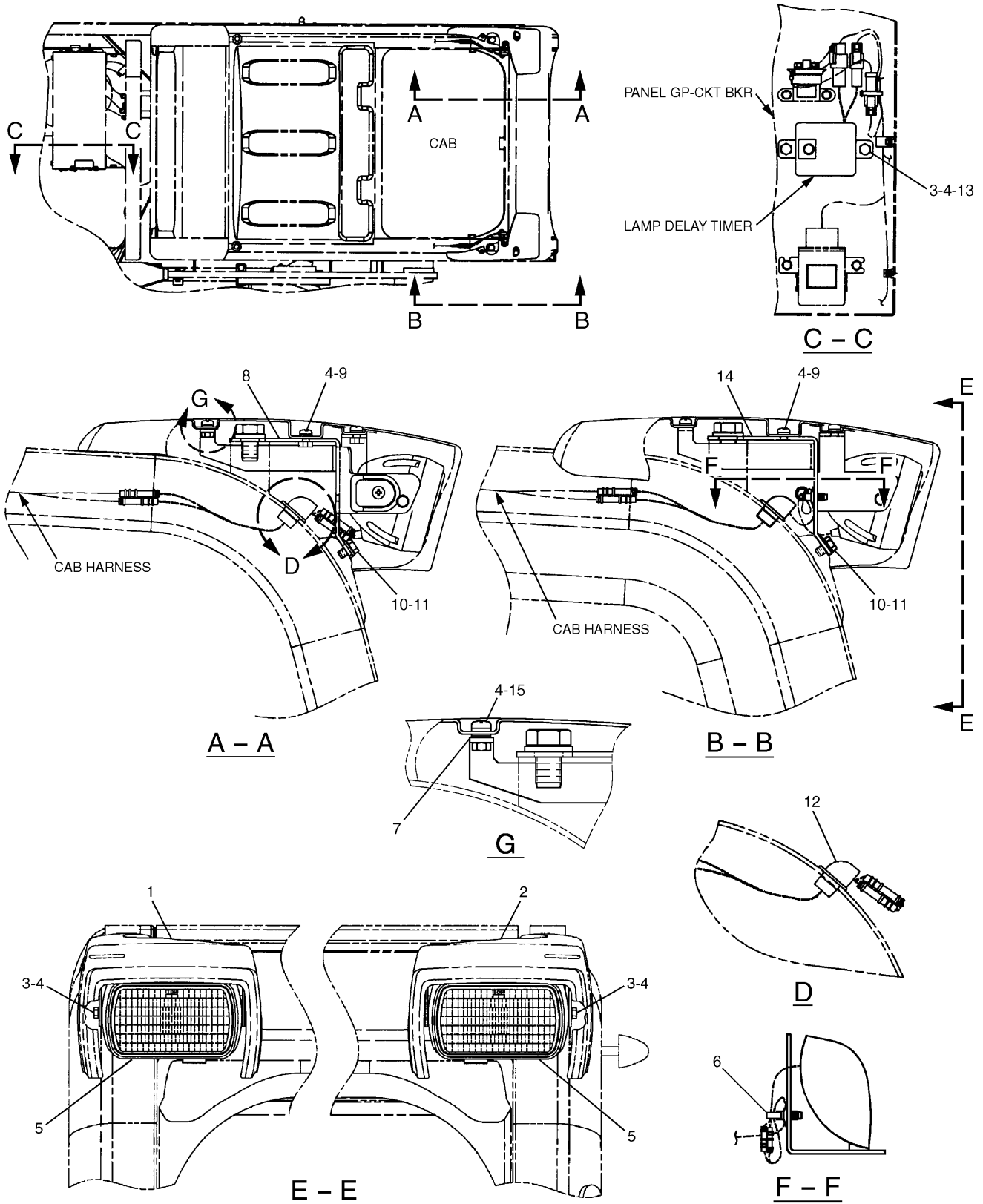
# ELECTRICAL AND STARTING SYSTEM



H79220E 00

**212-8622 ALTERNATOR GP-CHARGING**  
Part of 201-3714-Page13

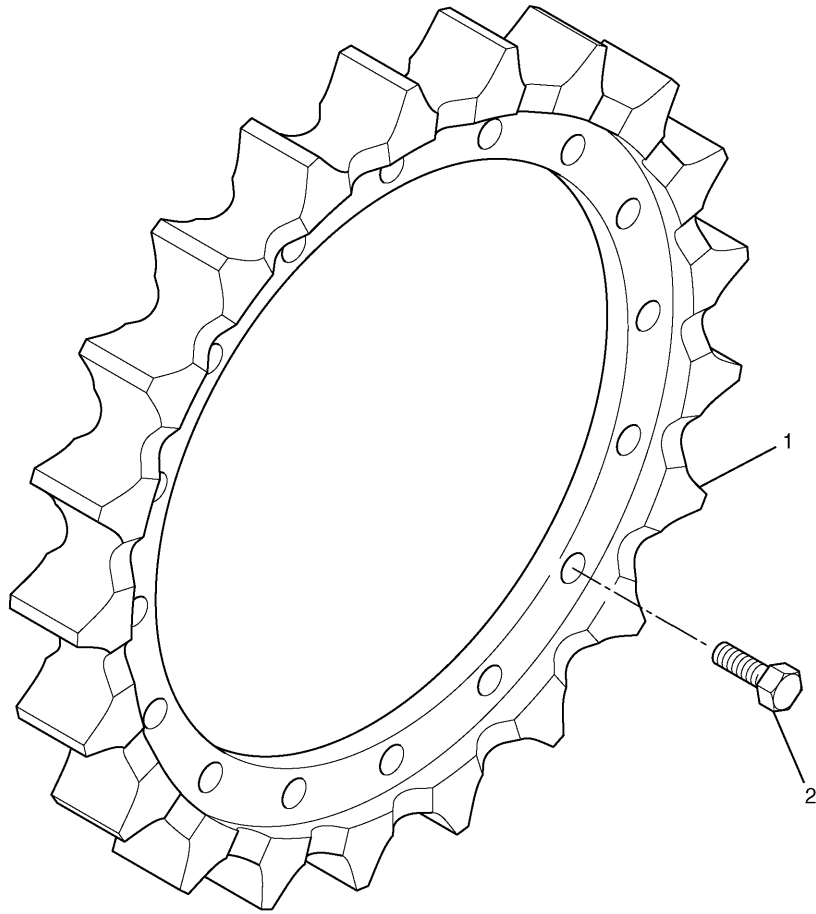
# ELECTRICAL AND STARTING SYSTEM



H86219E 08

**163-6631 LIGHTING GP-CAB**  
 167-3441-Page164,163-6704,167-3456-Page166  
 An Attachment

# POWER TRAIN

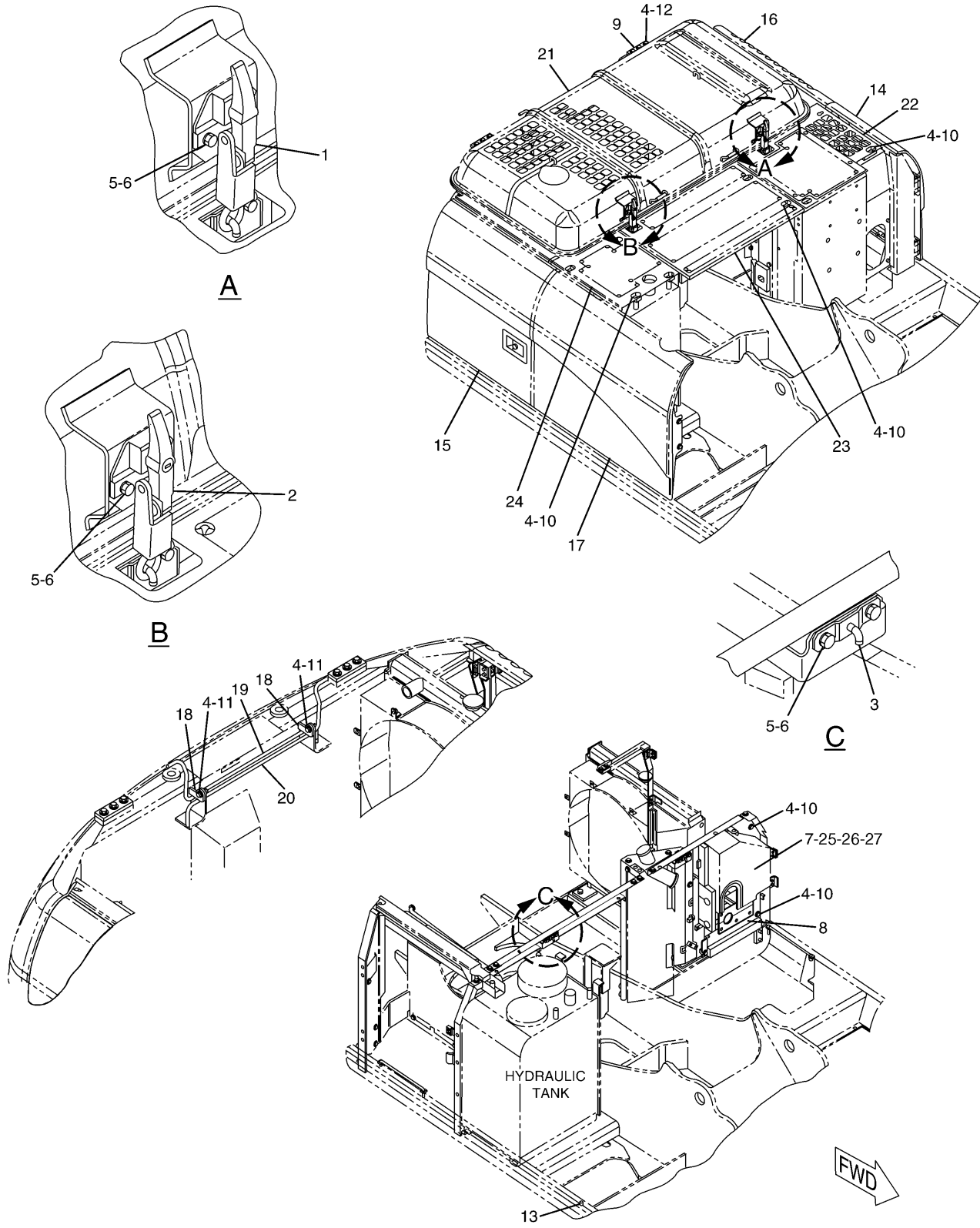


NOTE	No.	PART No.	QTY	PART NAME	NOTE	No.	PART No.	QTY	PART NAME
	1	8 E - 9 8 0 5	1	SPROCKET					
	2	7 X - 2 5 6 2	16	BOLT (L=45mm)					

H82503E 03

**145-3042 SPROCKET GP-NONSEGMENTED**  
2 Required

# FRAME AND BODY



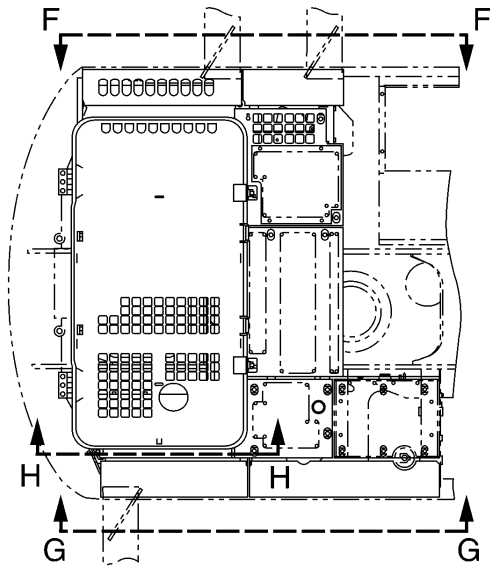
H83909E 05

## 199-0243 HOOD & GUARD GP (1/3)

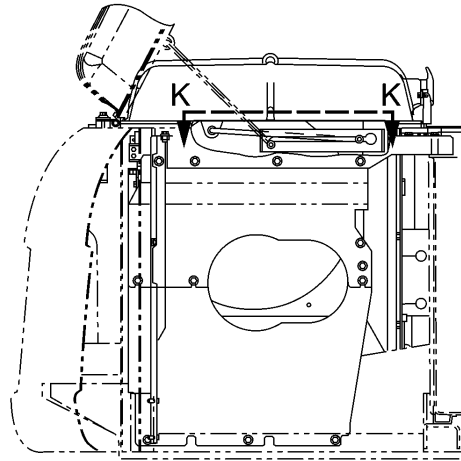
S/N CWP 1-00180

203-5035-Page180,199-0465-Page181,199-0479-Page182,214-8268-Page182.01,203-5065-Page183

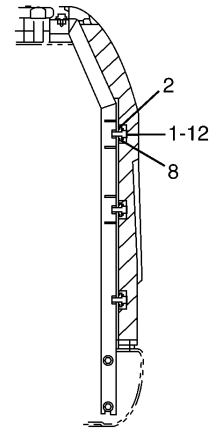
# FRAME AND BODY



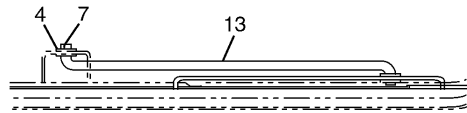
TOP VIEW



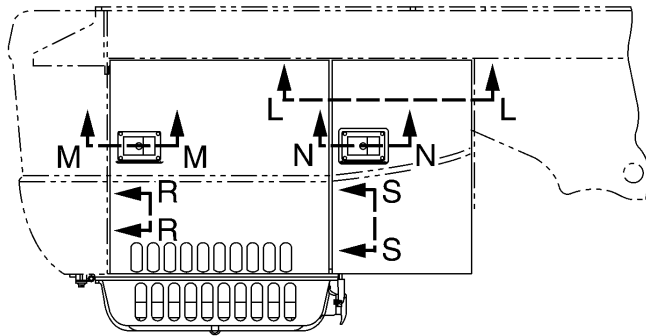
H - H



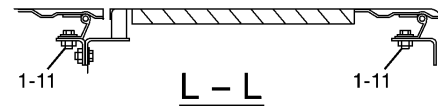
J - J



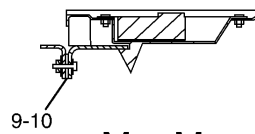
K - K



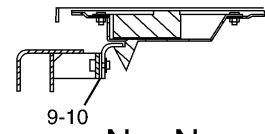
F - F



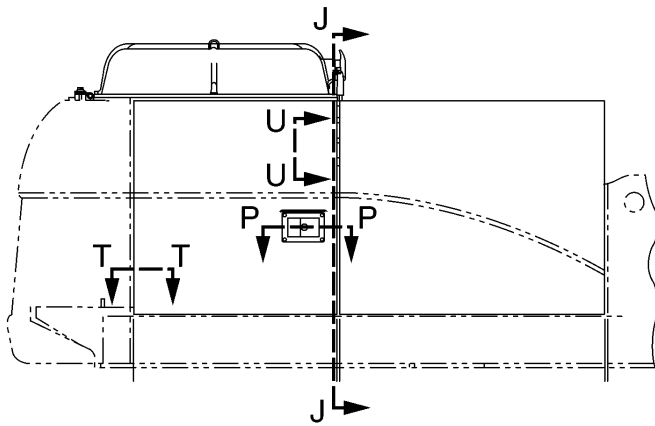
L - L



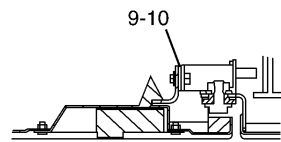
M - M



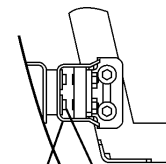
N - N



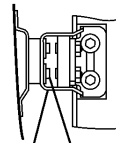
G - G



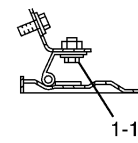
P - P



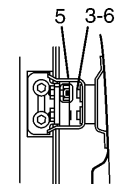
R - R



S - S



T - T

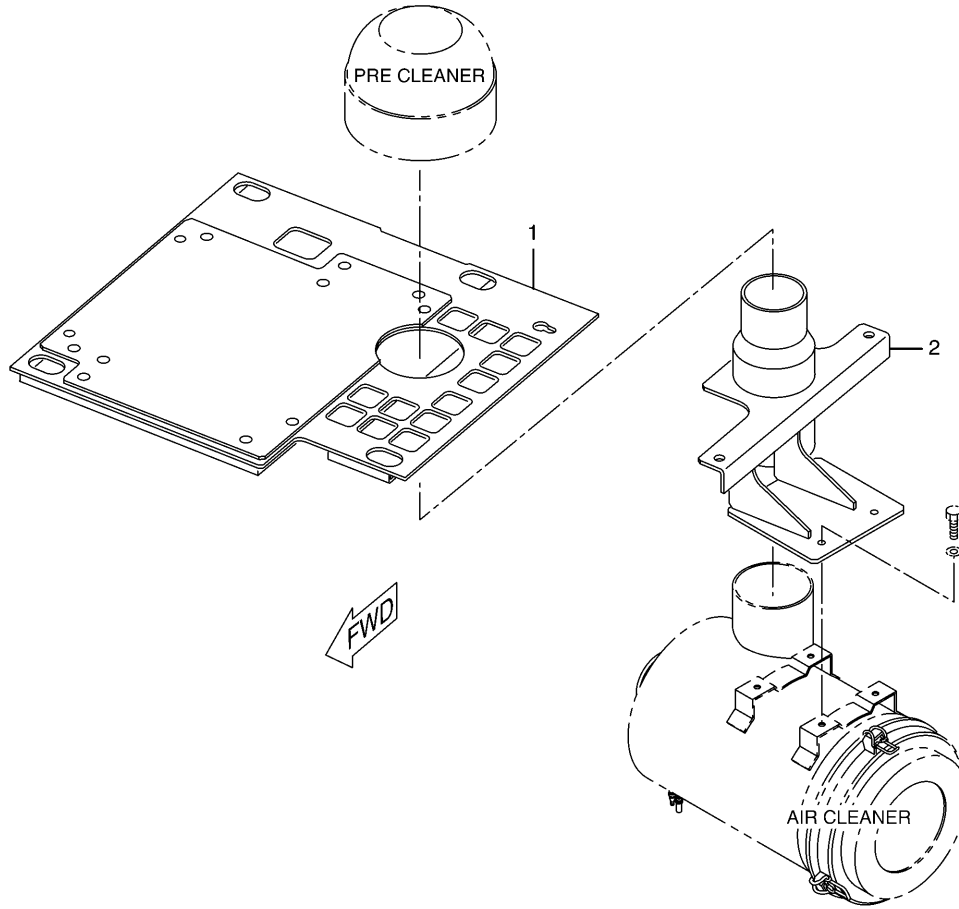


U - U

H91649E 09

**199-0243 HOOD & GUARD GP (3/3)**  
S/N CWP 00181-Up

# FRAME AND BODY



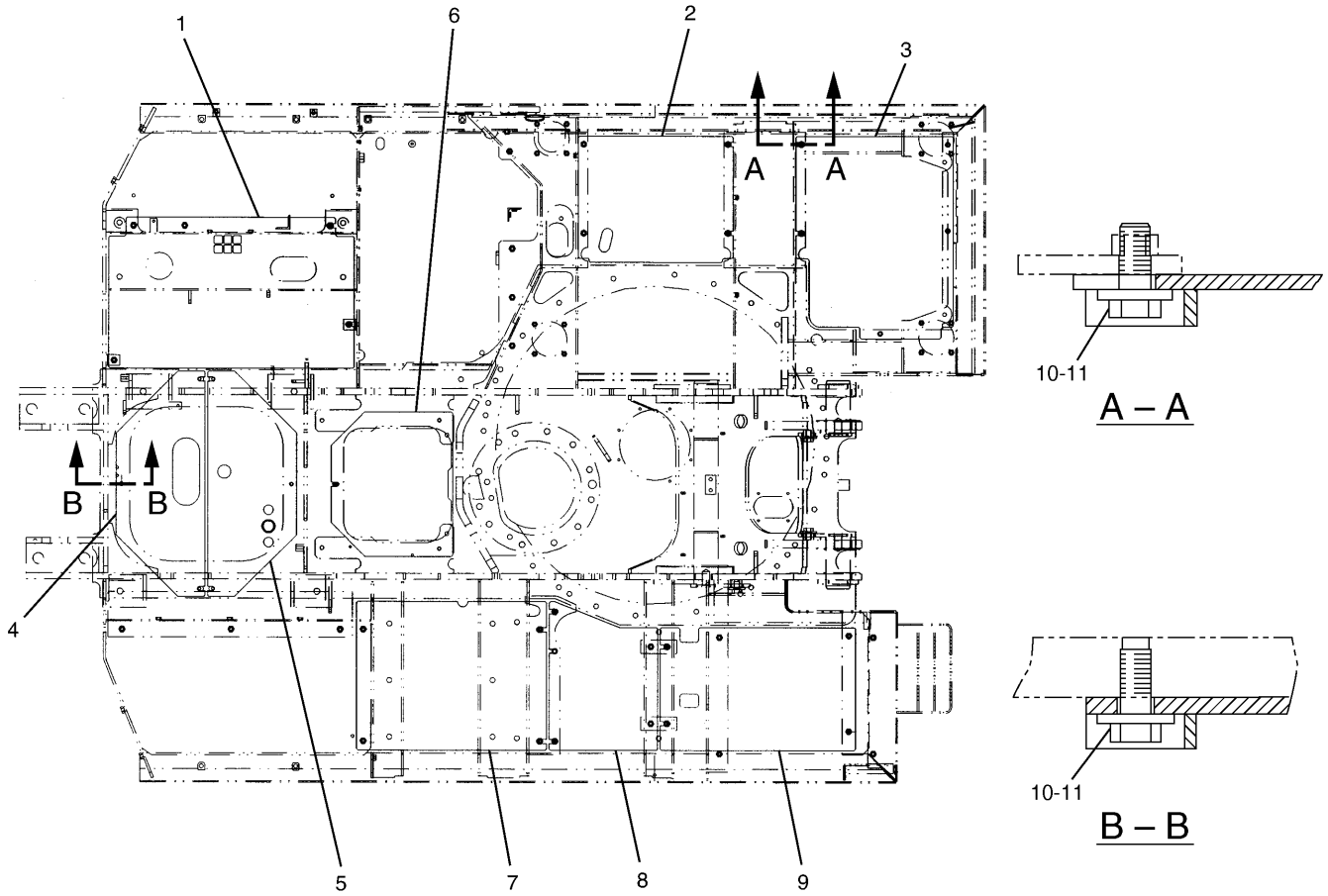
NOTE	No.	PART No.	QTY	PART NAME	NOTE	No.	PART No.	QTY	PART NAME
Y	1	218-7889	1	COVER GP					
	2	218-7893	1	SUPPORT AS					

Y-SEE SEPARATE ILLUSTRATION

H83916E 00

**199-0249 HOOD GP**  
 S/N CWP 1-00180  
 Part of 199-9359-Page47.01  
 218-7889-Page183.02  
 An Attachment

# FRAME AND BODY

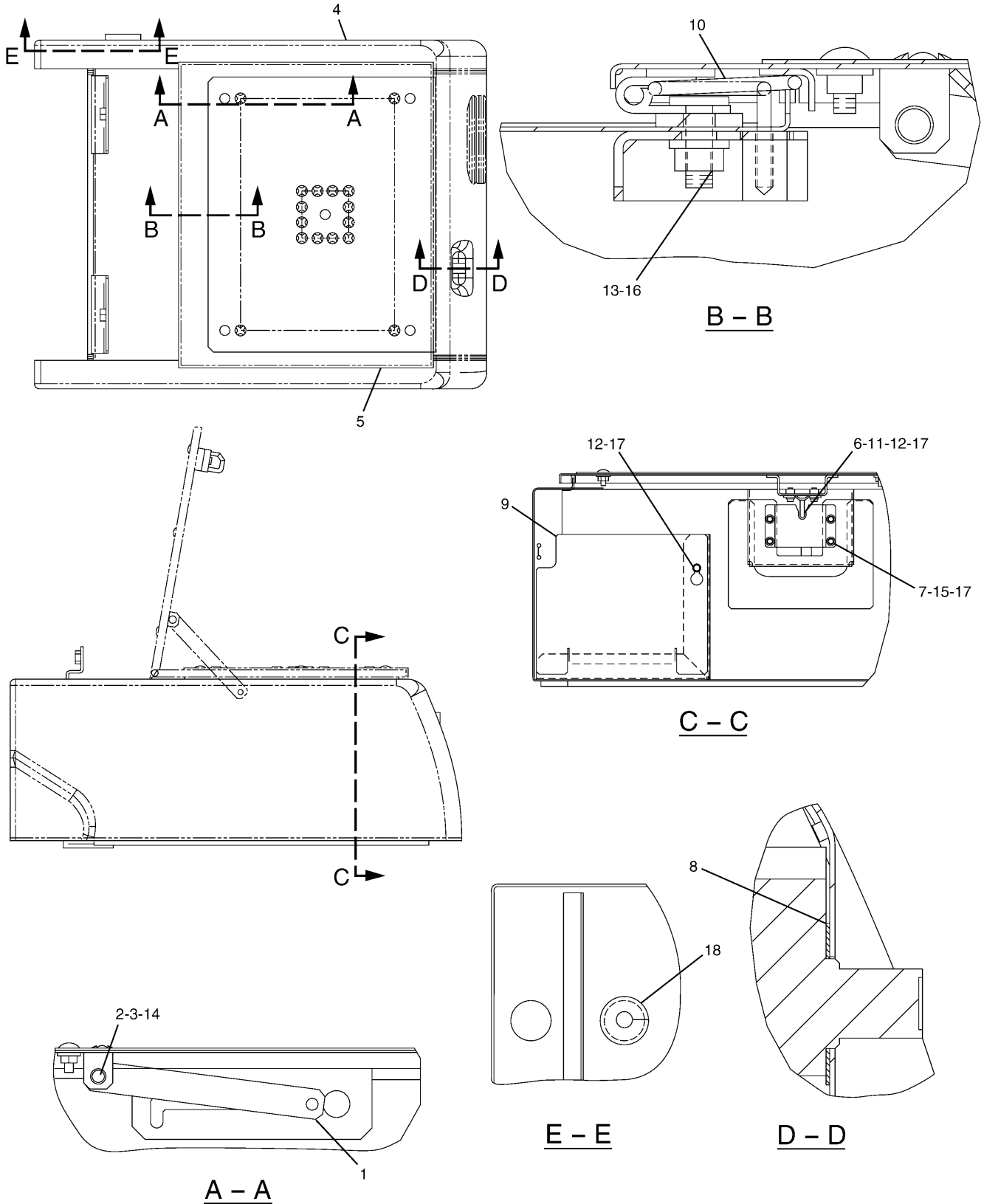


NOTE	No.	PART No.	QTY	PART NAME	NOTE	No.	PART No.	QTY	PART NAME
	1	208-4295	1	PLATE AS					
	2	208-4297	1	PLATE AS					
	3	208-4299	1	PLATE AS					
	4	208-4301	1	PLATE AS					
	5	208-4303	1	PLATE AS					
	6	208-4305	1	PLATE AS					
	7	208-4307	1	PLATE AS					
	8	237-8557	1	PLATE AS					
	9	208-4311	1	PLATE AS					
	10	5P-1076	35	WASHER					
	11	8C-8992	35	BOLT (L=30mm)					

H86223E 00

**237-8554 GUARD GP-BOTTOM**  
 Heavy Duty  
 S/N CWP (T04.01)-Up  
 Part of 199-9354-Page185  
 An Attachment

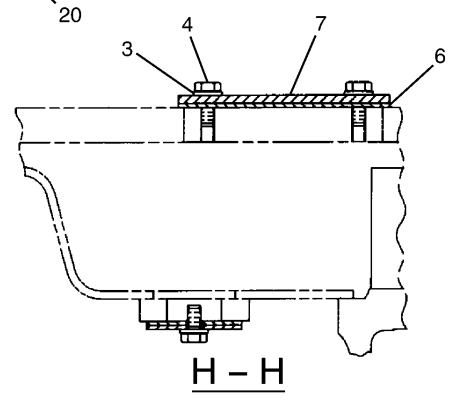
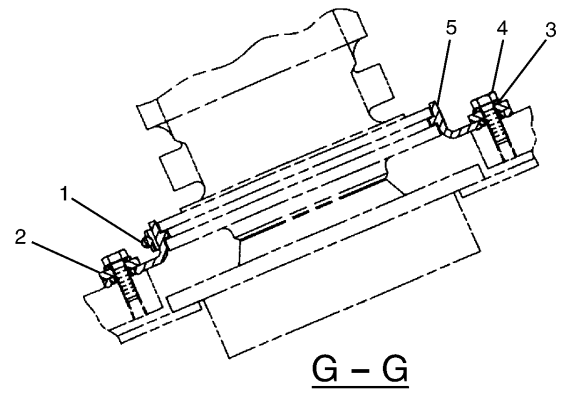
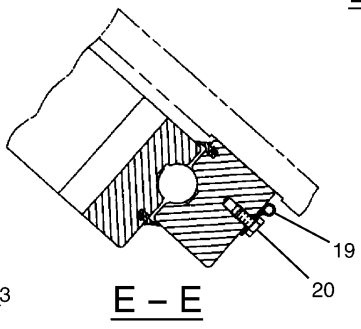
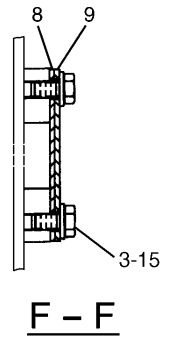
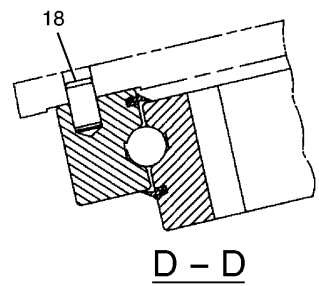
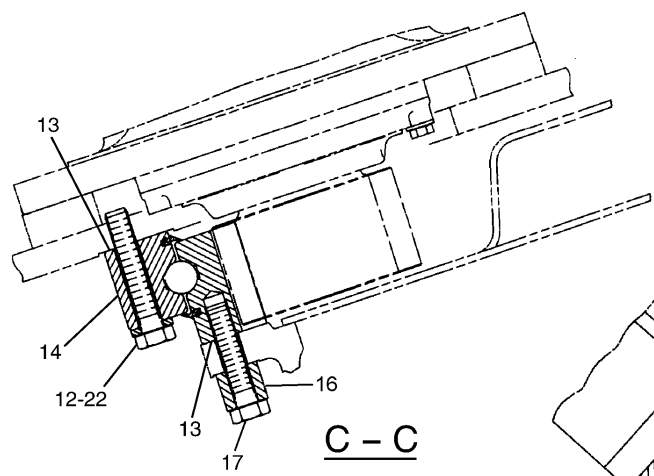
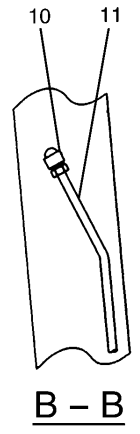
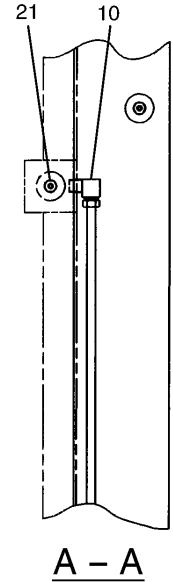
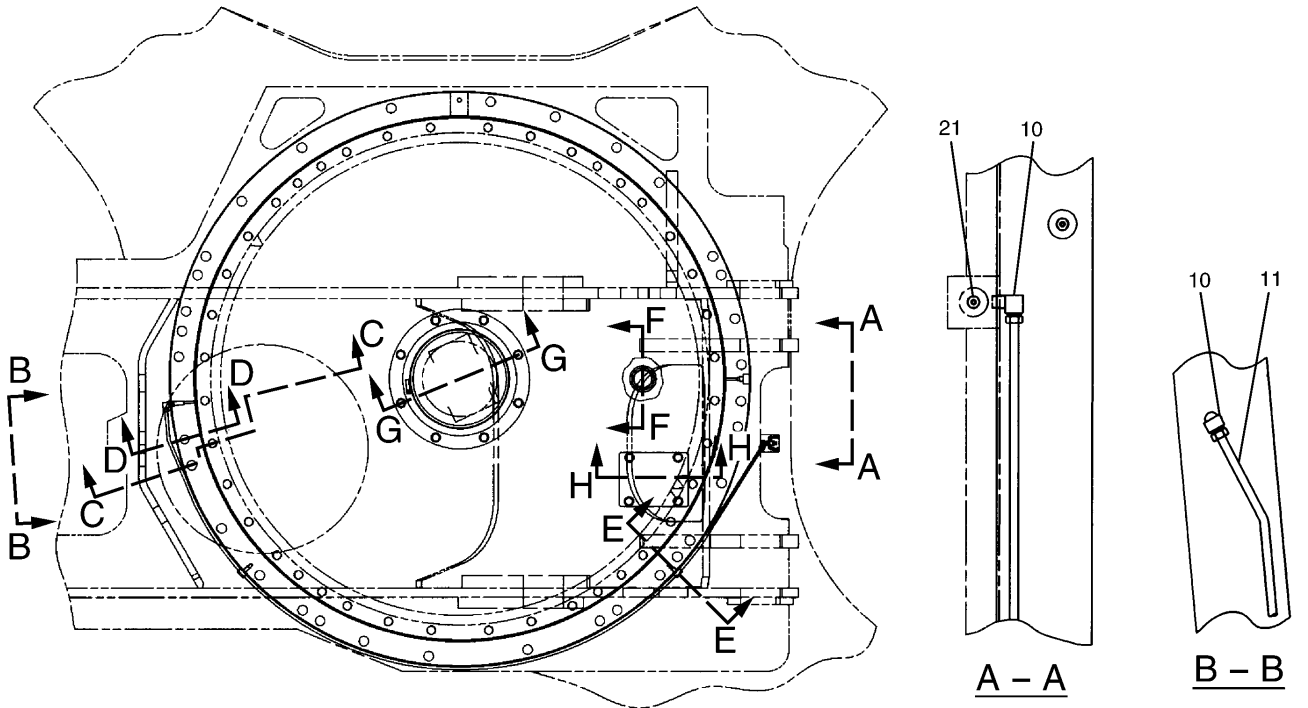
# FRAME AND BODY



H77529E 06

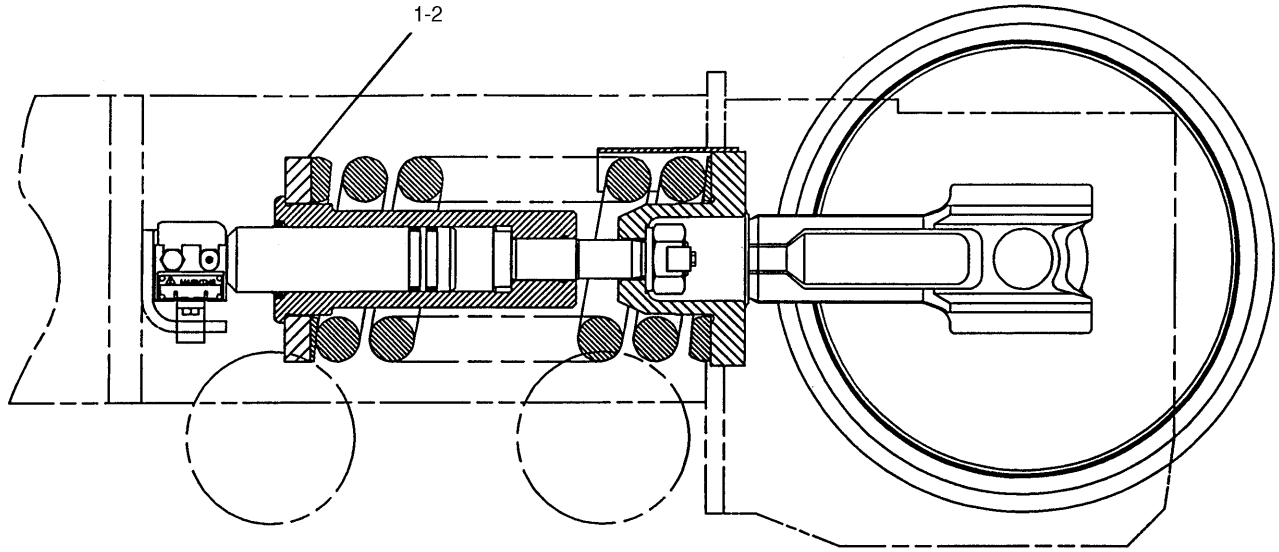
**142-3854 BOX GP-STORAGE**  
 S/N CWP 1-00180  
 Part of 142-3853-Page191  
 175-0651-Page194

# FRAME AND BODY



H92489E 03

# FRAME AND BODY



NOTE	No.	PART No.	QTY	PART NAME	NOTE	No.	PART No.	QTY	PART NAME
Y	1	239-4399	1	IDLER GP					
Y	2	239-4400	1	IDLER GP					

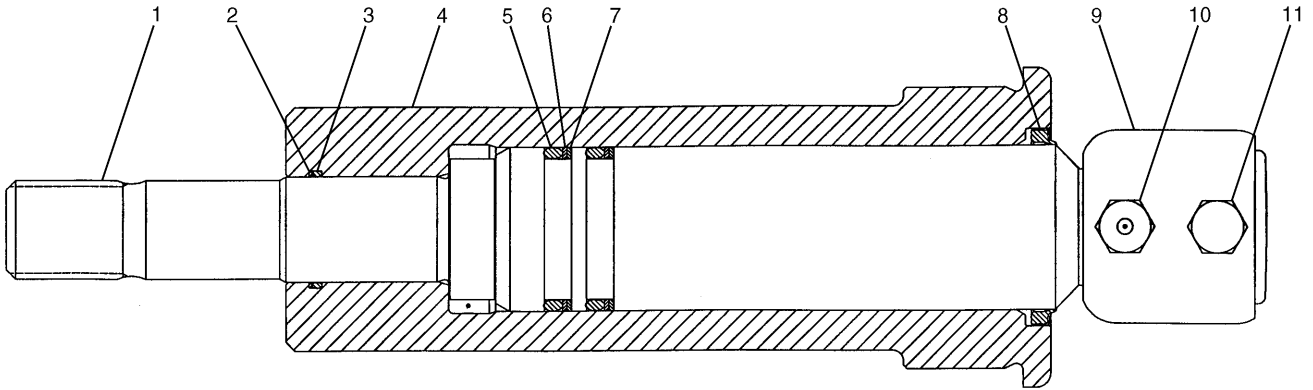
Y-SEE SEPARATE ILLUSTRATION

H88431E 03

**145-3025 IDLER GP-FRONT**  
 S/N CWP 00166-Up  
 239-4400-Page206.01,239-4399-Page207.01

# MEMORANDA

# FRAME AND BODY

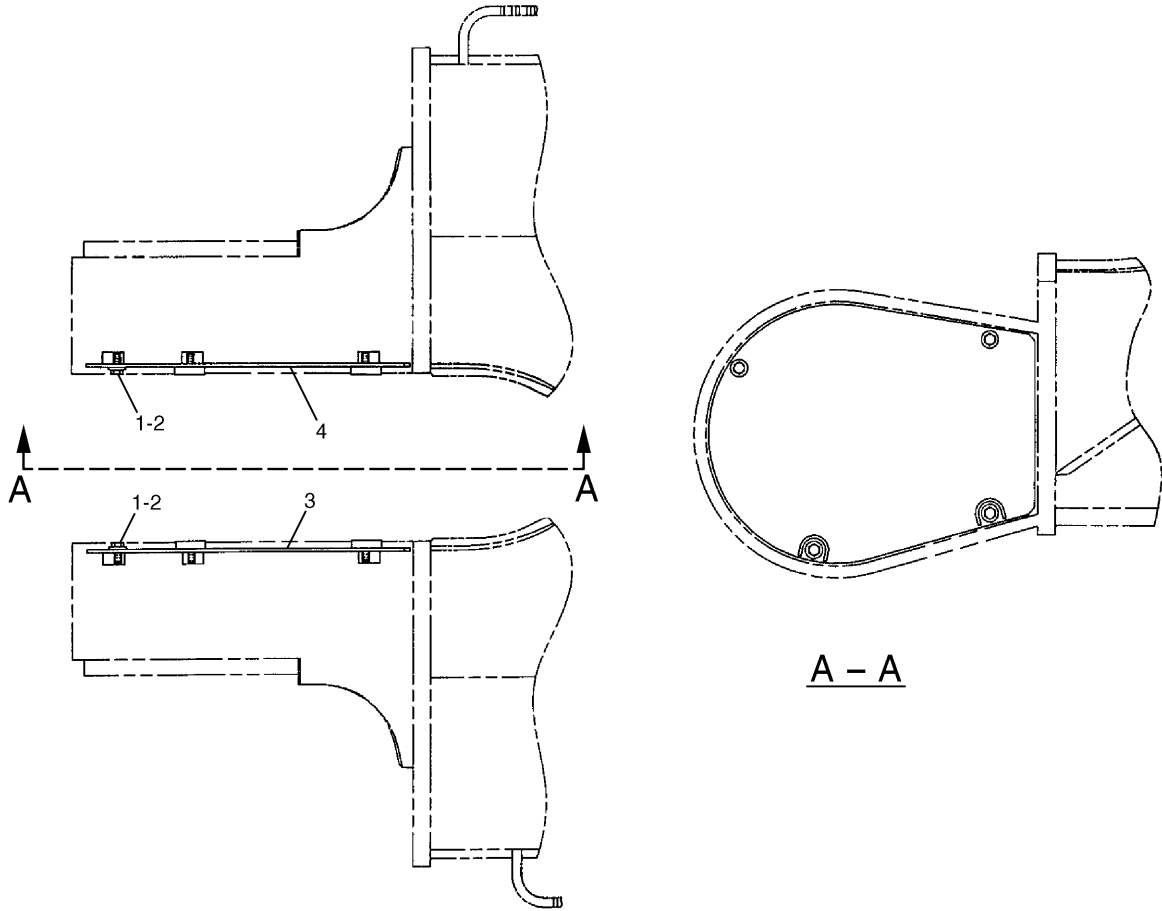


NOTE	No.	PART No.	QTY	PART NAME	NOTE	No.	PART No.	QTY	PART NAME
	1	122-5076	1	ROD					
	2	71-7734	1	RING					
	3	095-1703	1	SEAL-O-RING (ID=44.40mm)					
	4	145-3030	1	CYLINDER					
	5	095-1619	2	SEAL-O-RING (ID=59.60mm)					
	6	093-1512	2	RING					
	7	7Y-0682	2	RING					
	8	093-1436	1	SEAL					
	9	145-3031	1	PISTON AS					
	10	095-2927	1	VALVE (FILL)					
	11	2S-5926	1	VALVE (RELIEF)					

H67157E 01

**145-3029 TRACK ADJUSTER & RECOIL GP**  
 S/N CWP 1-00165  
 Part of 145-3028-Page211

# FRAME AND BODY

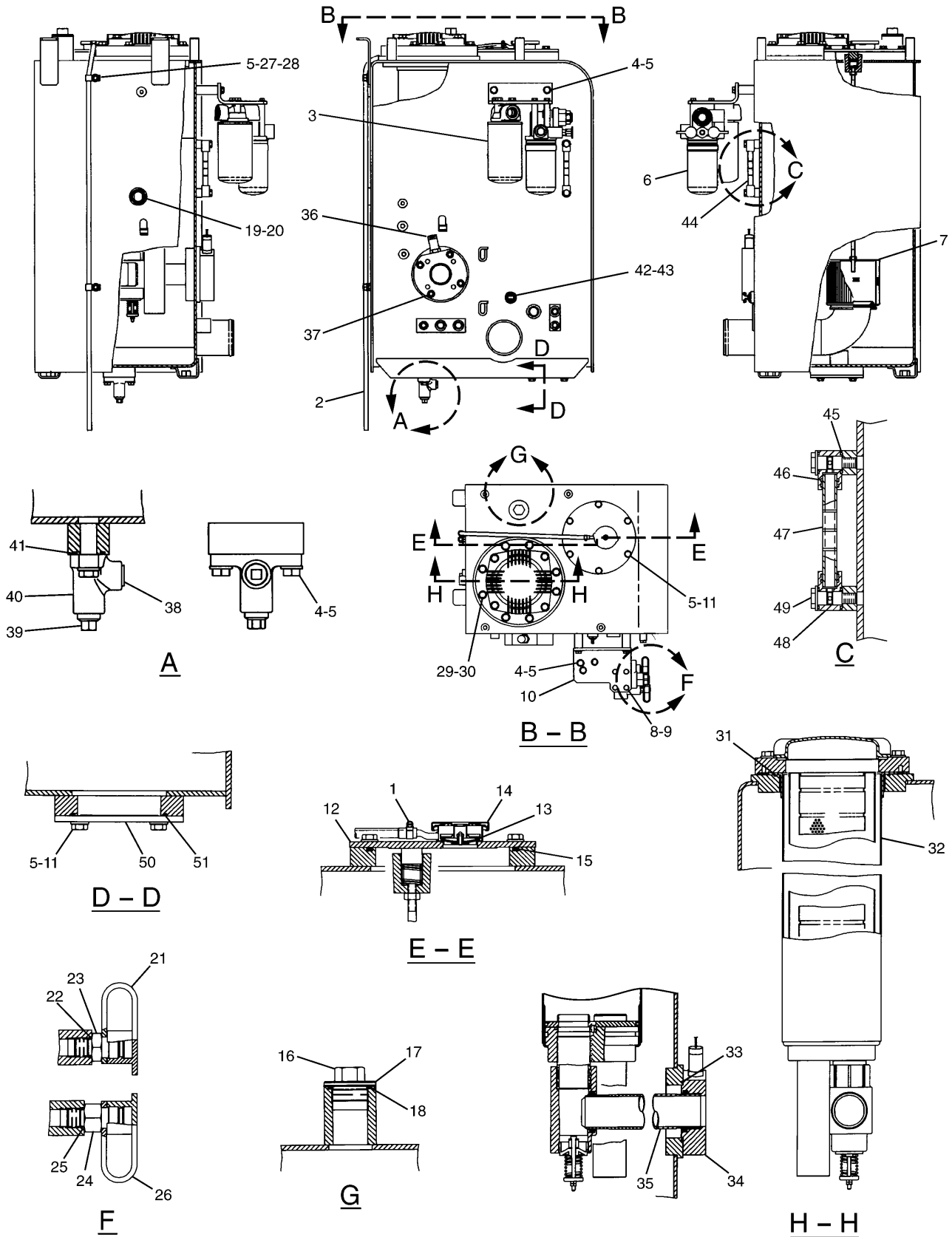


NOTE	No.	PART No.	QTY	PART NAME	NOTE	No.	PART No.	QTY	PART NAME
	1	5 P - 1 0 7 6	8	WASHER					
	2	8 C - 8 9 9 2	8	BOLT (L=30mm)					
	3	1 6 6 - 1 5 1 2	1	COVER AS					
	4	1 6 6 - 1 4 7 9	1	COVER AS					

H67469E 01

**166-1478 GUARD GP-TRAVEL MOTOR**  
 Part of 199-9354-Page185  
 An Attachment

# HYDRAULIC SYSTEM



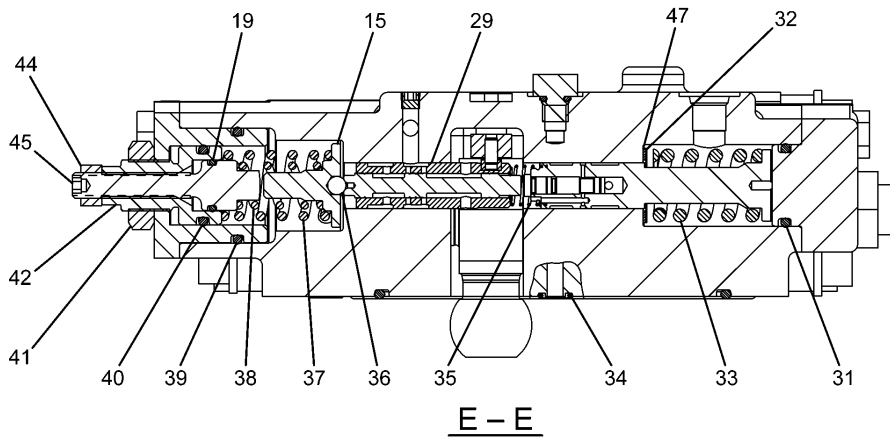
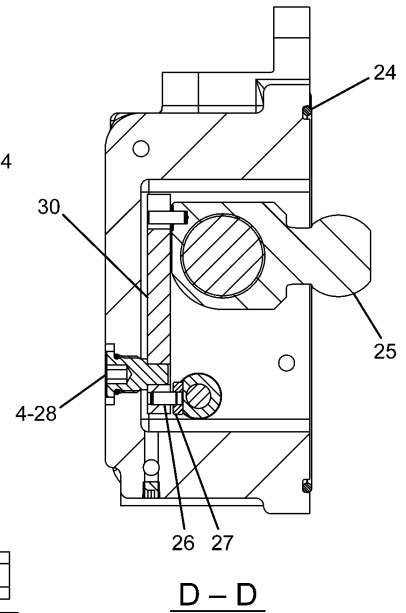
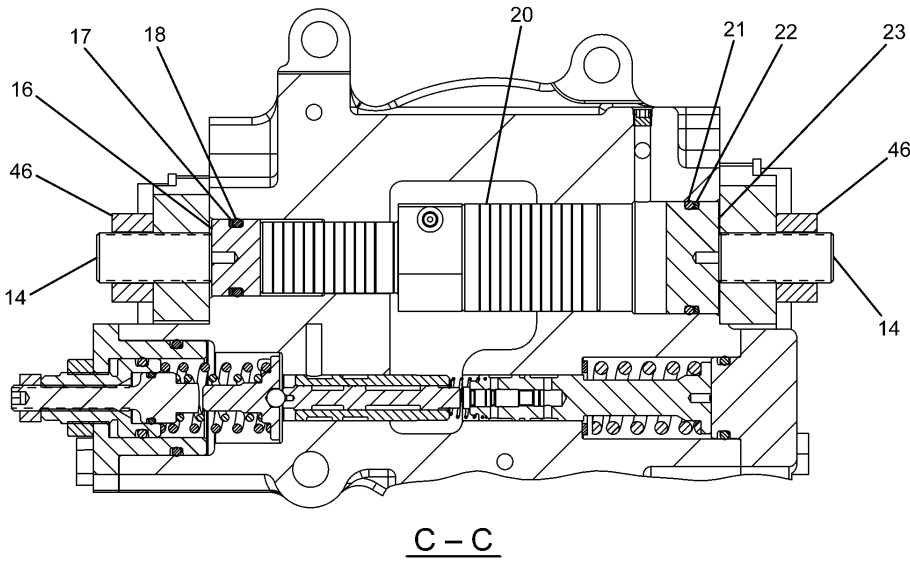
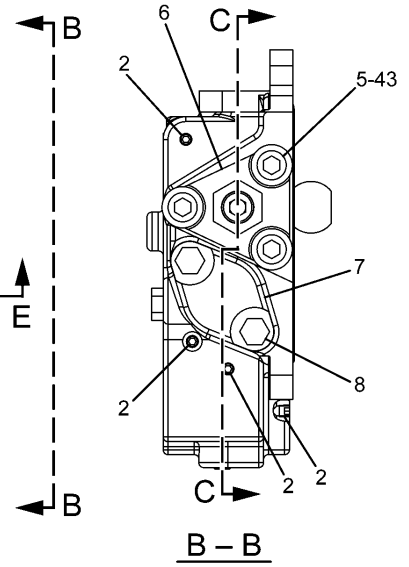
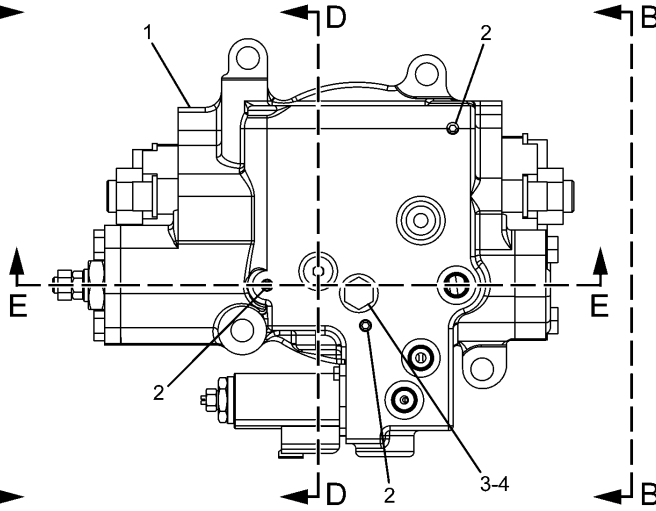
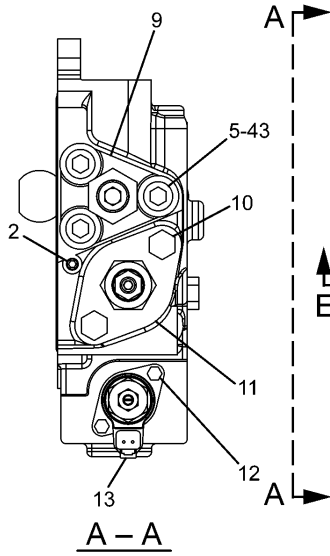
H98064E 03

## 212-5391 TANK & FILTER GP-HYDRAULIC

S/N CWP (T06.12)-Up  
Part of 212-5390-Page225

170-9419-Page167,194-8247-Page230,289-8194-Page244.01,158-8987-Page245,188-4145-Page248

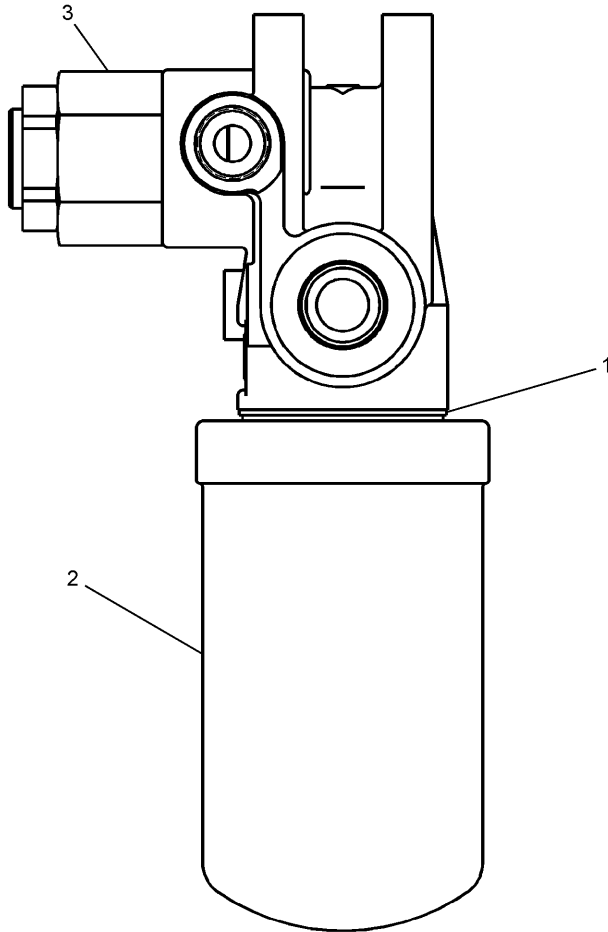
# HYDRAULIC SYSTEM



H97804E 16

**194-8301 HEAD GP-PUMP CONTROL**  
 Part of 244-5326-Page235  
 111-9916-Page430

# HYDRAULIC SYSTEM



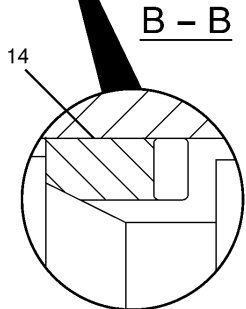
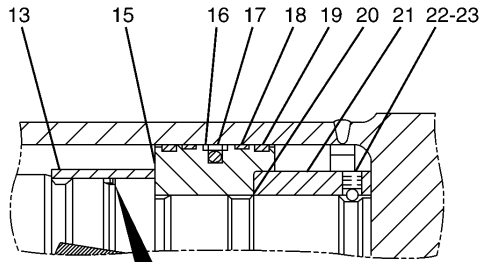
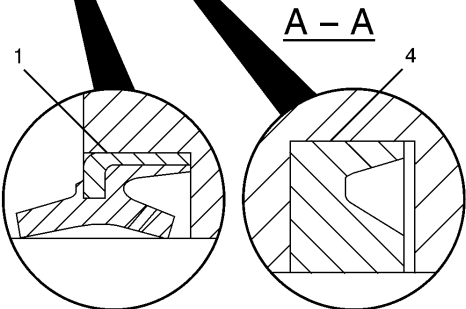
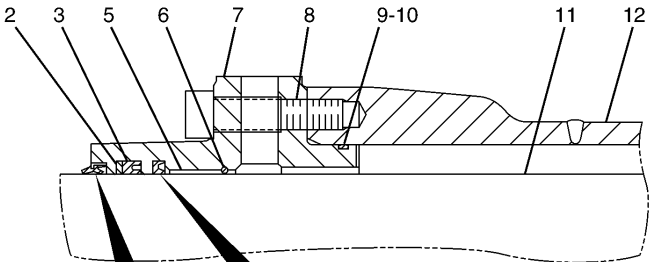
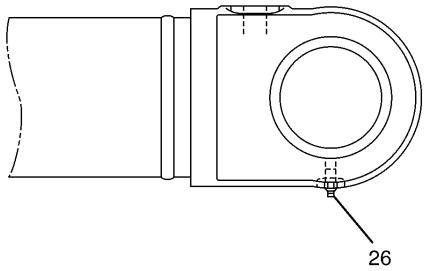
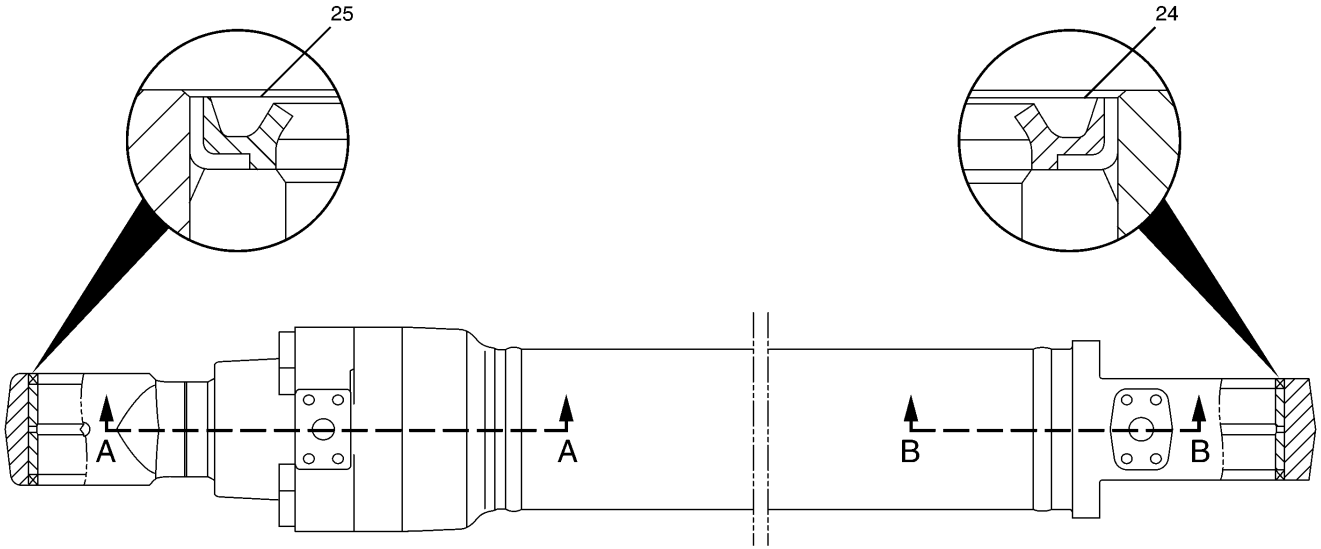
NOTE	No.	PART No.	QTY	PART NAME	NOTE	No.	PART No.	QTY	PART NAME
	1	103-8236	1	RING					
	2	126-1813	1	FILTER AS					
Y	3	215-4909	1	VALVE GP					

Y-SEE SEPARATE ILLUSTRATION

H93558E 04

**188-2084 FILTER GP-HYDRAULIC**  
 Part of 158-8987-Page245  
 215-4909-Page454

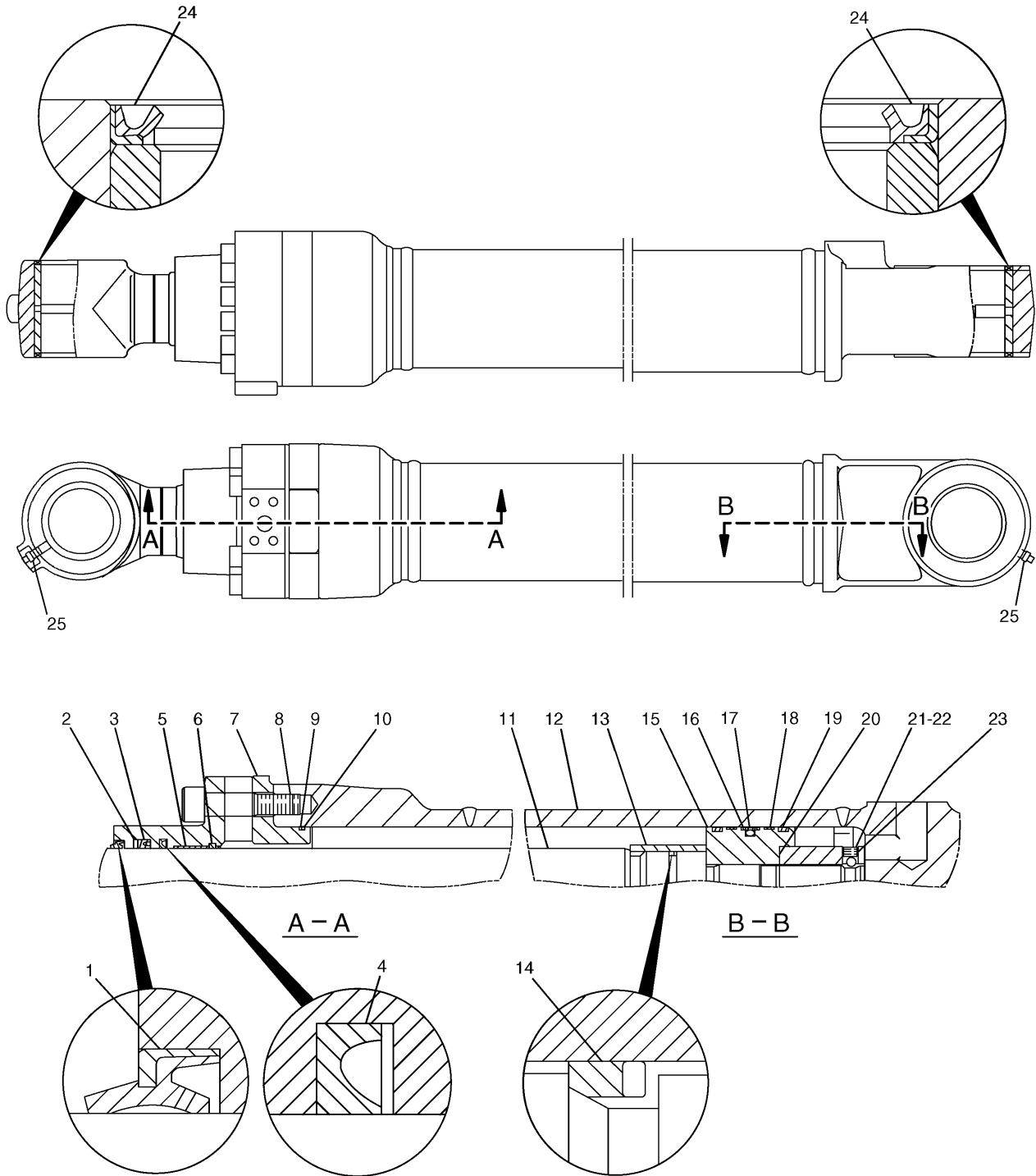
# HYDRAULIC SYSTEM



H94058E 05

**194-8416 CYLINDER & SEAL GP-BOOM**  
 Part of 194-8414, 194-8415-Page253  
 An Attachment

# HYDRAULIC SYSTEM

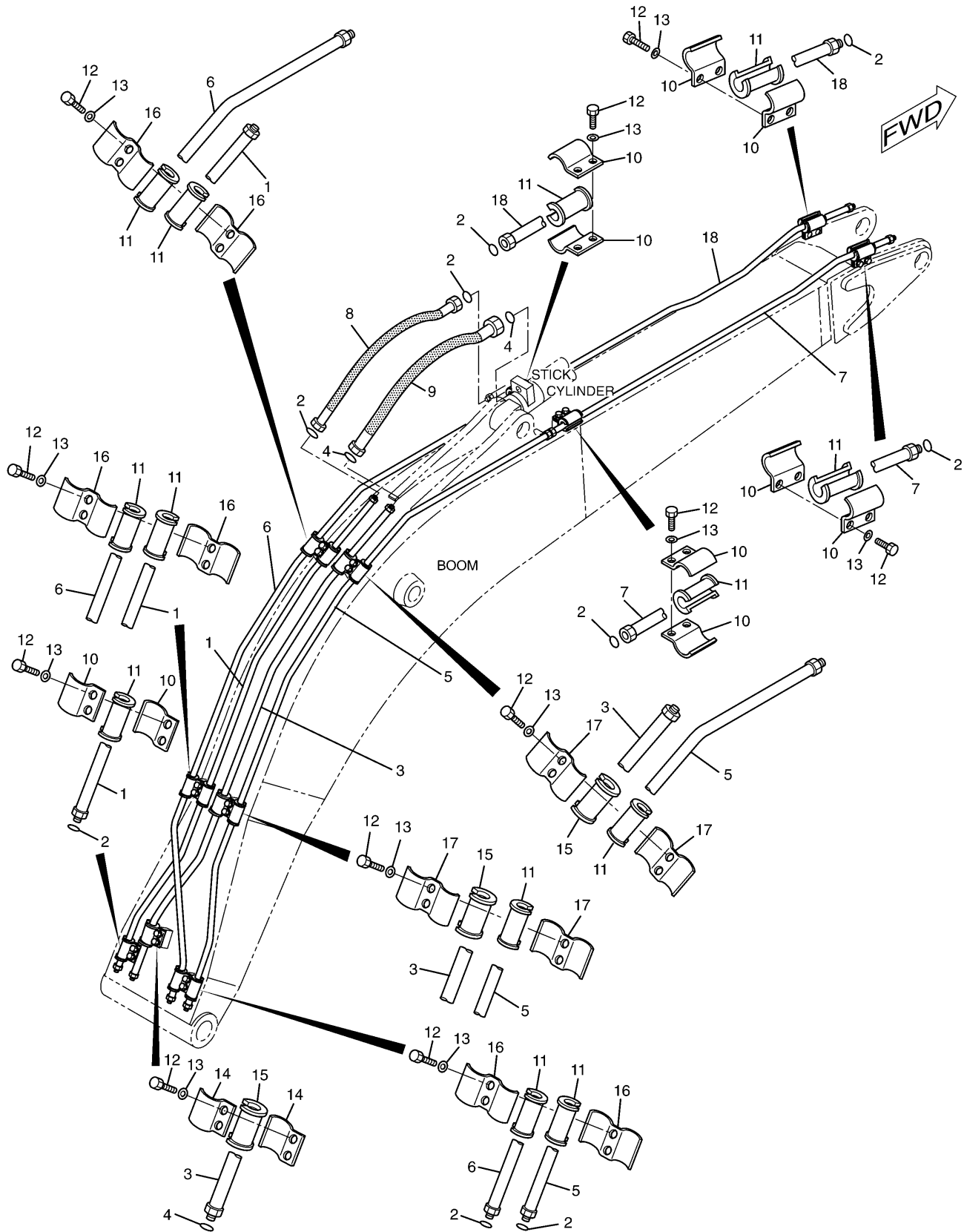


H92144E 02

**204-3618 CYLINDER & SEAL GP-BUCKET**  
 Part of 158-9086-Page261  
 An Attachment

# MEMORANDA

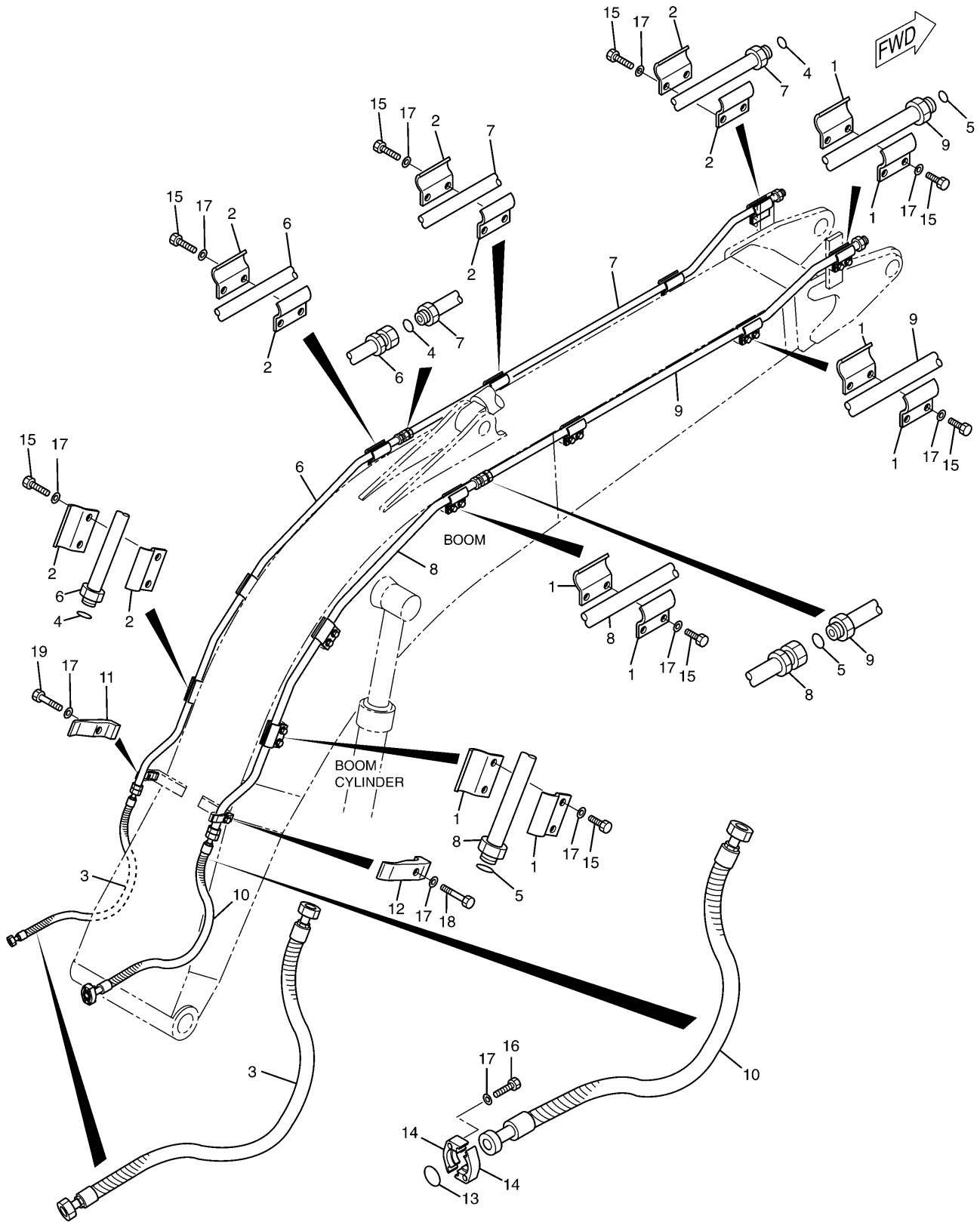
# HYDRAULIC SYSTEM



H79689E 01

199-1785 LINES GP-BOOM  
Part of 199-9345-Page570  
An Attachment

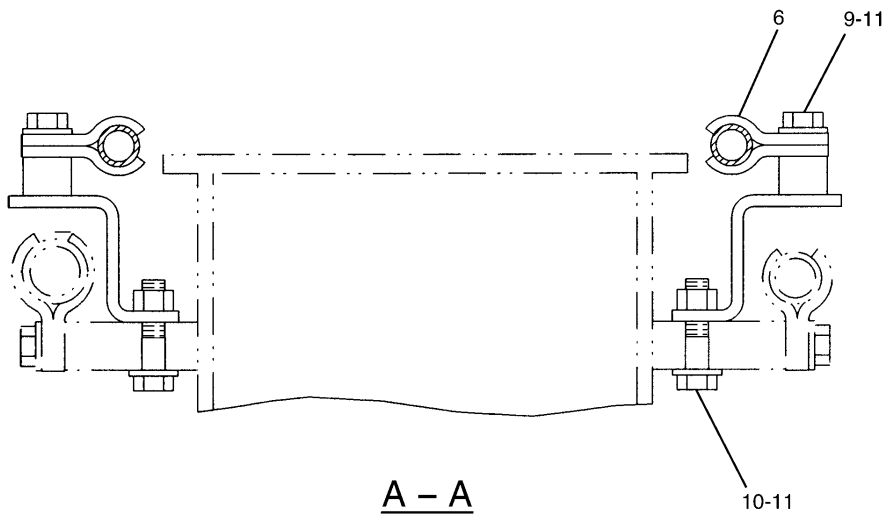
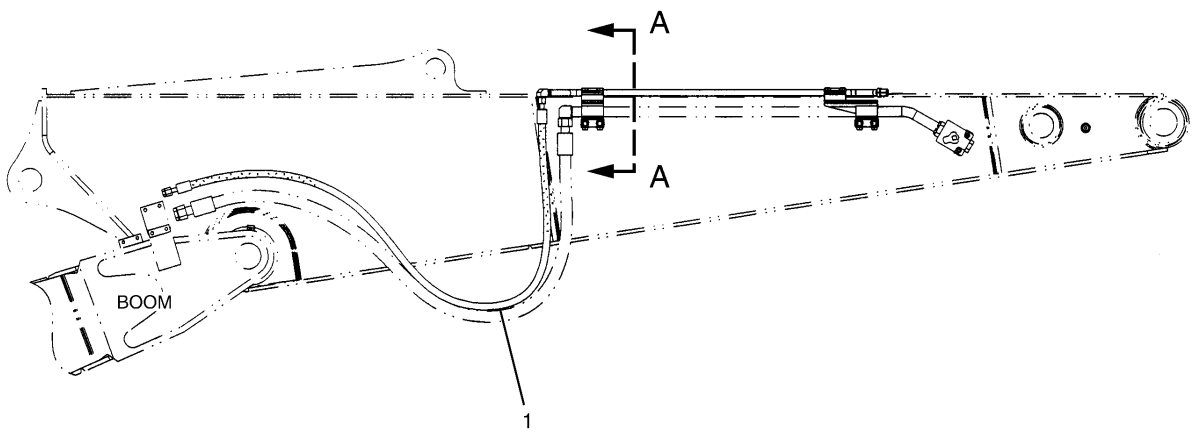
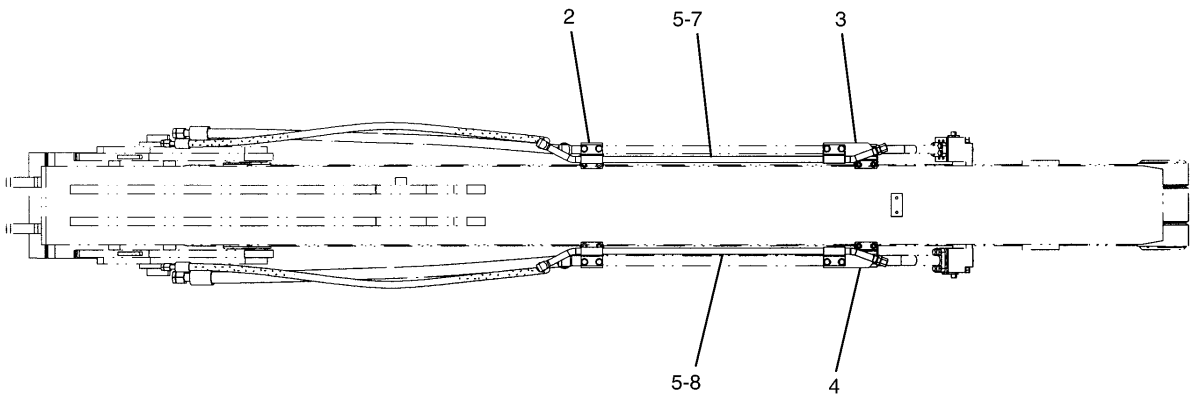
# HYDRAULIC SYSTEM



H85381E 04

**197-2271 LINES GP-AUXILIARY HYDRAULIC**  
Part of 193-6584-Page280  
An Attachment

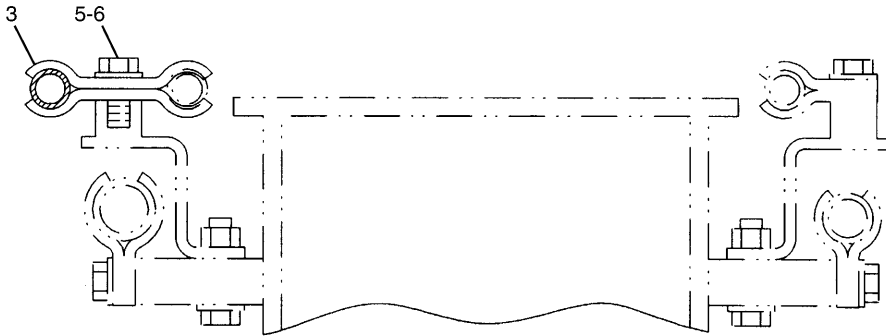
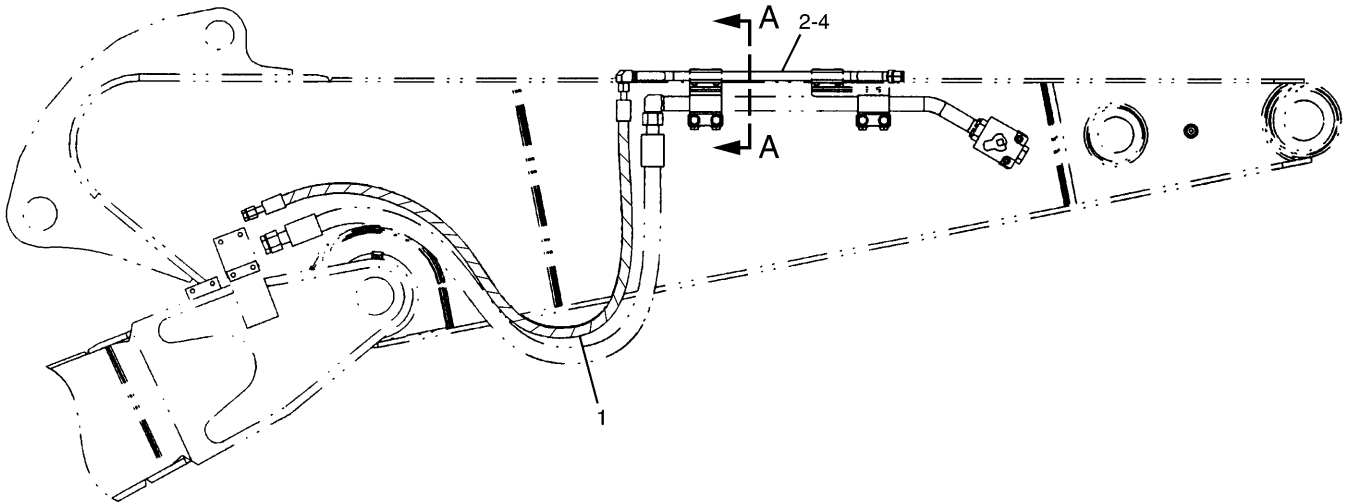
# HYDRAULIC SYSTEM



H83941E 01

197-2275 LINES GP-AUXILIARY HYDRAULIC  
An Attachment

# HYDRAULIC SYSTEM



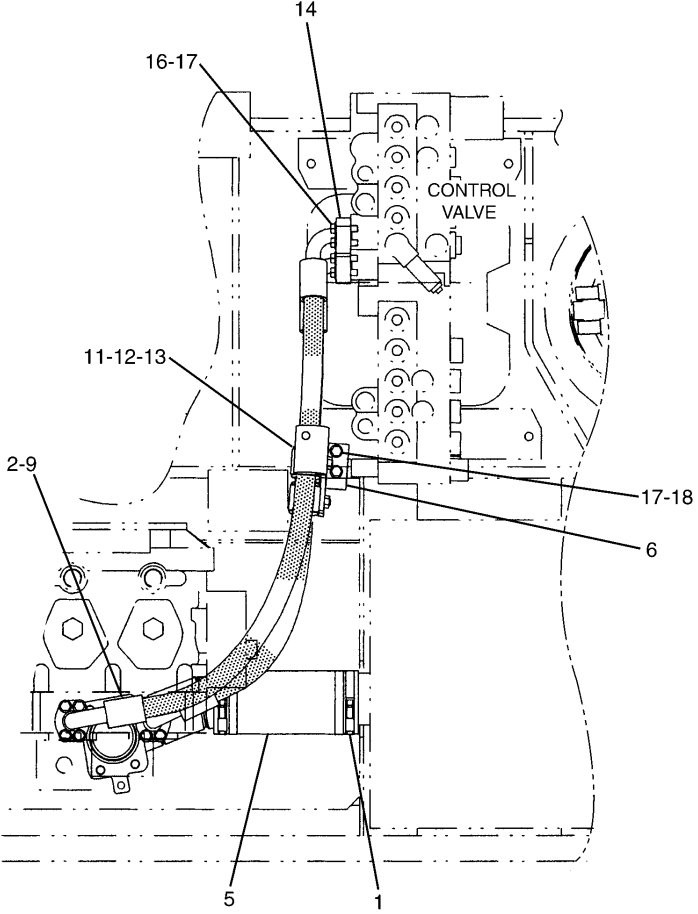
**A - A**

NOTE	No.	PART No.	QTY	PART NAME	NOTE	No.	PART No.	QTY	PART NAME
	1	173-7865	1	HOSE AS					
	2	6V-8398	2	SEAL-O-RING (OD=16.03mm)					
	3	202-7021	4	CLIP					
	4	210-9741	1	TUBE AS					
	5	8T-4139	4	BOLT (L=30mm)					
	6	8T-4223	4	WASHER					

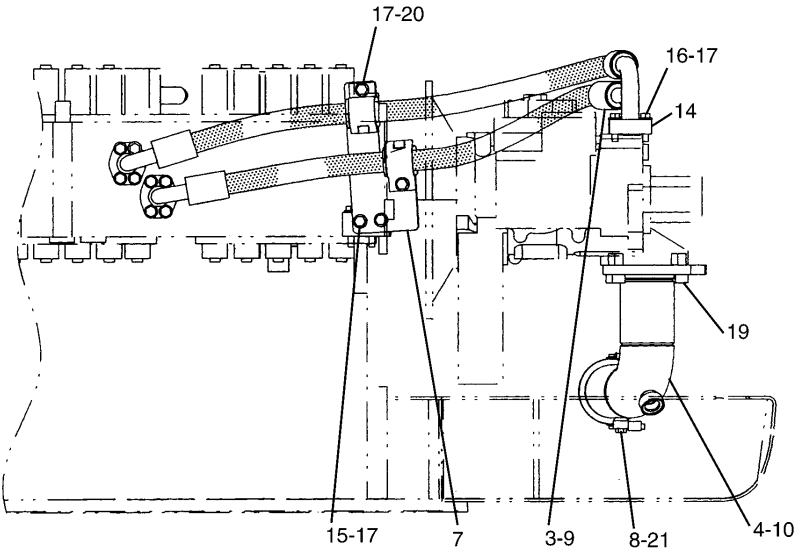
H83947E 01

**197-2284 LINES GP-DRAIN**  
An Attachment

# HYDRAULIC SYSTEM



TOP VIEW



REAR VIEW

H85388E 03

199-1667 LINES GP-PUMP

CLICK HERE TO **DOWNLOAD** THE COMPLETE MANUAL

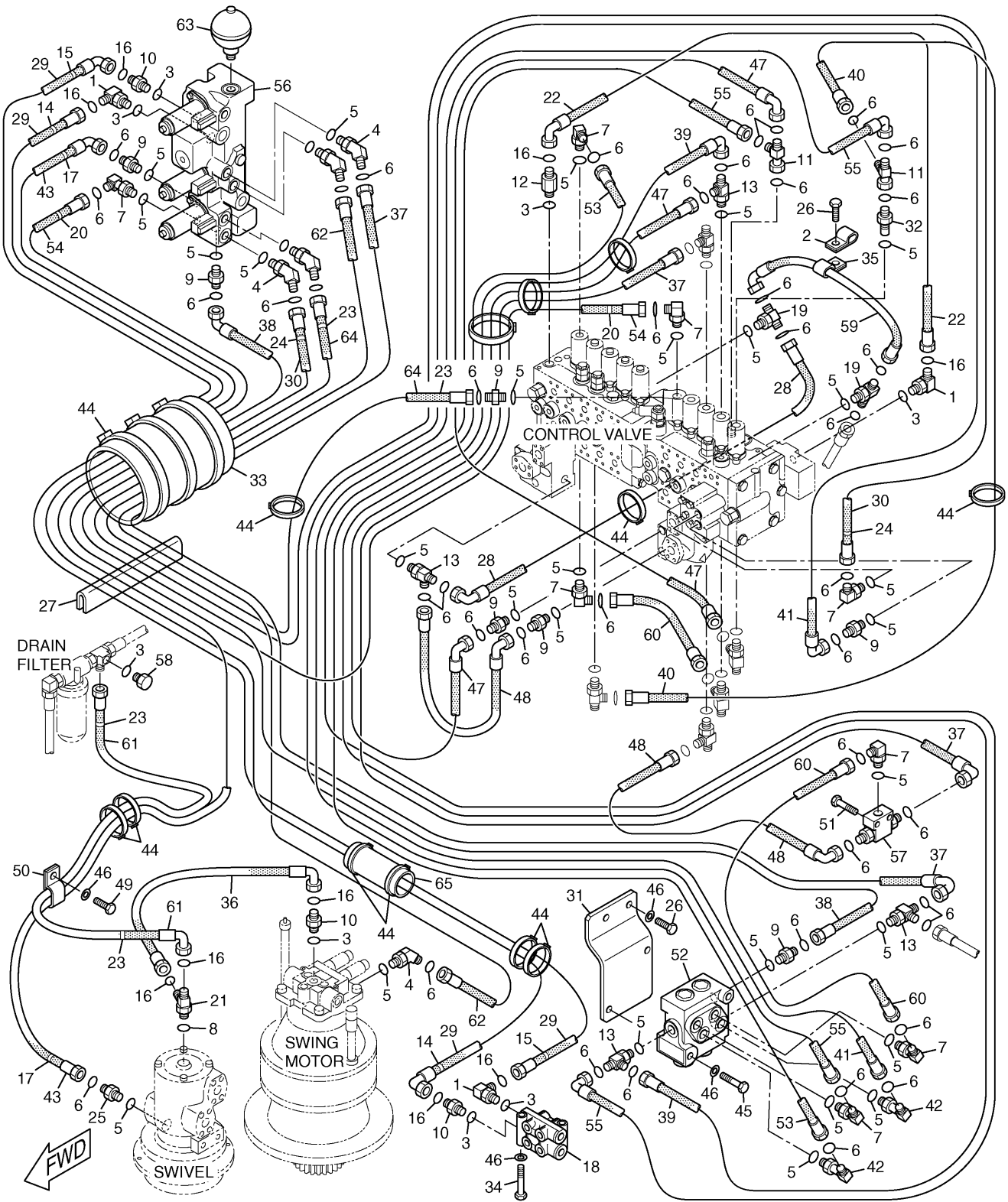
- Thank you very much for reading the preview of the manual.
- You can download the complete manual from: [www.heydownloads.com](http://www.heydownloads.com) by clicking the link below



- Please note: If there is no response to CLICKING the link, please download this PDF first and then click on it.

CLICK HERE TO **DOWNLOAD** THE COMPLETE MANUAL

# HYDRAULIC SYSTEM



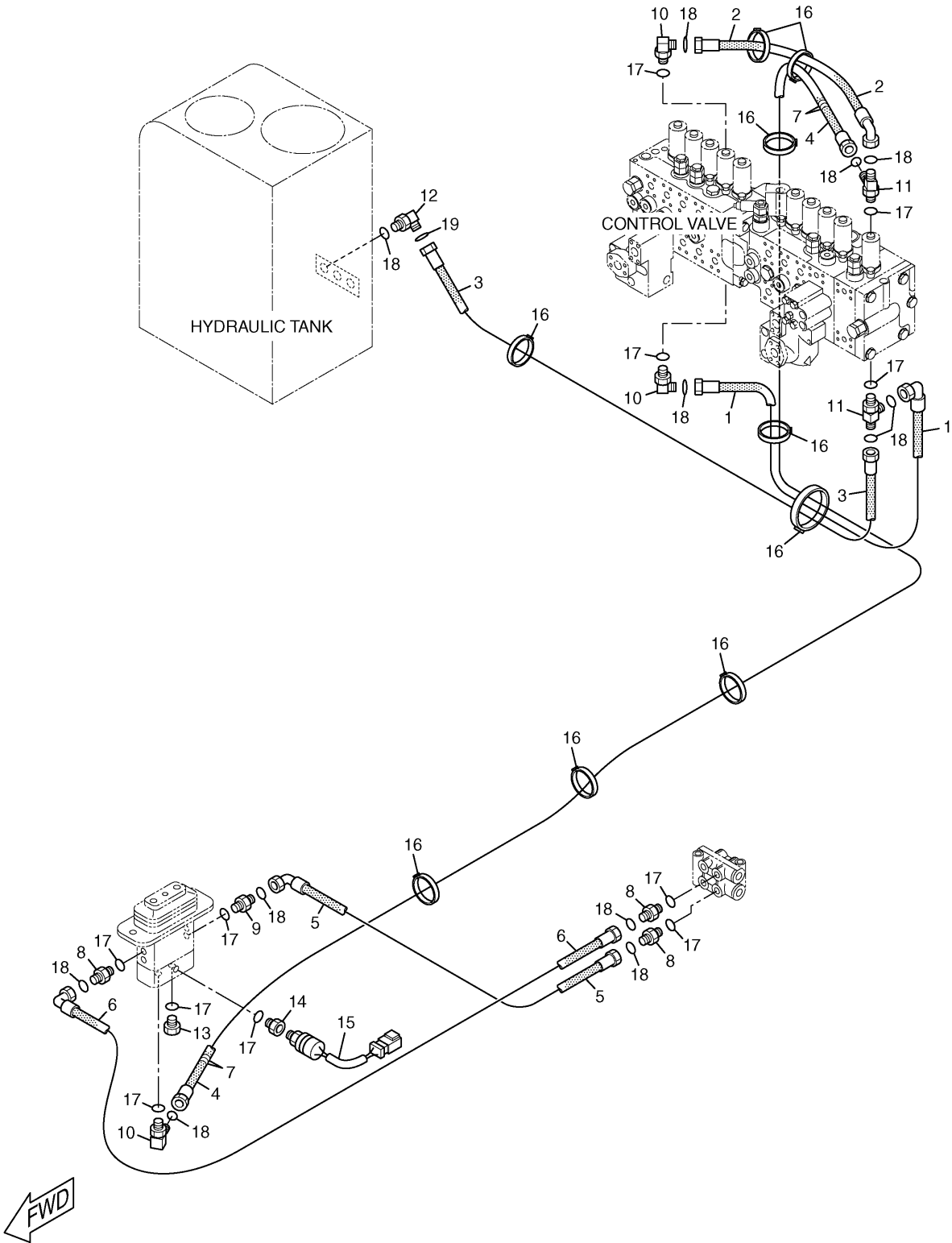
H87083E 04

199-1669 LINES GP-PILOT (1/2)

S/N CWP 1-00165

164-6981-Page252,158-8251-Page426,123-2430-Page467,232-4102-Page469

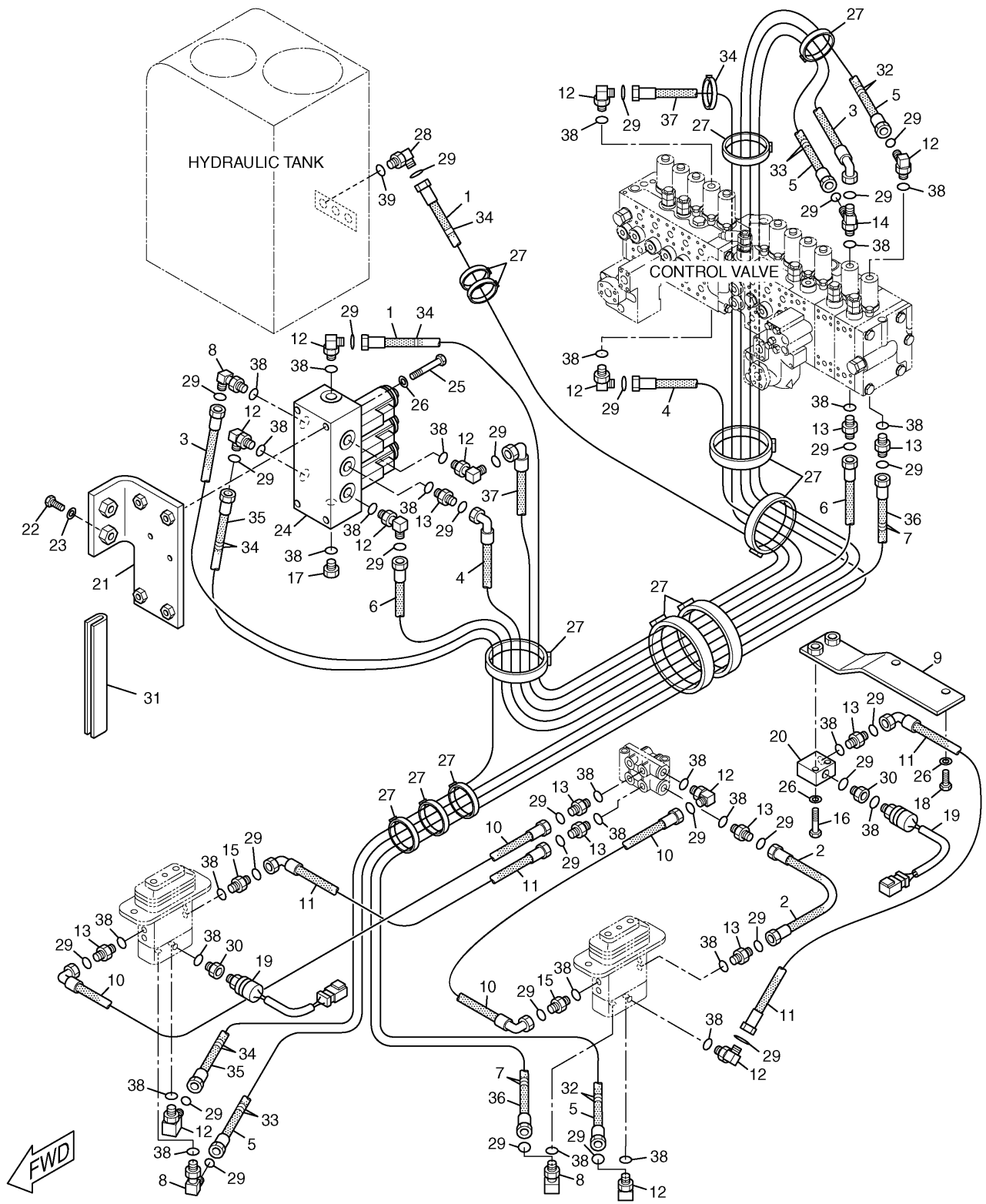
# HYDRAULIC SYSTEM



H79739E 00

**207-6502 LINES GP-PILOT**  
Part of 200-6597-Page308  
An Attachment

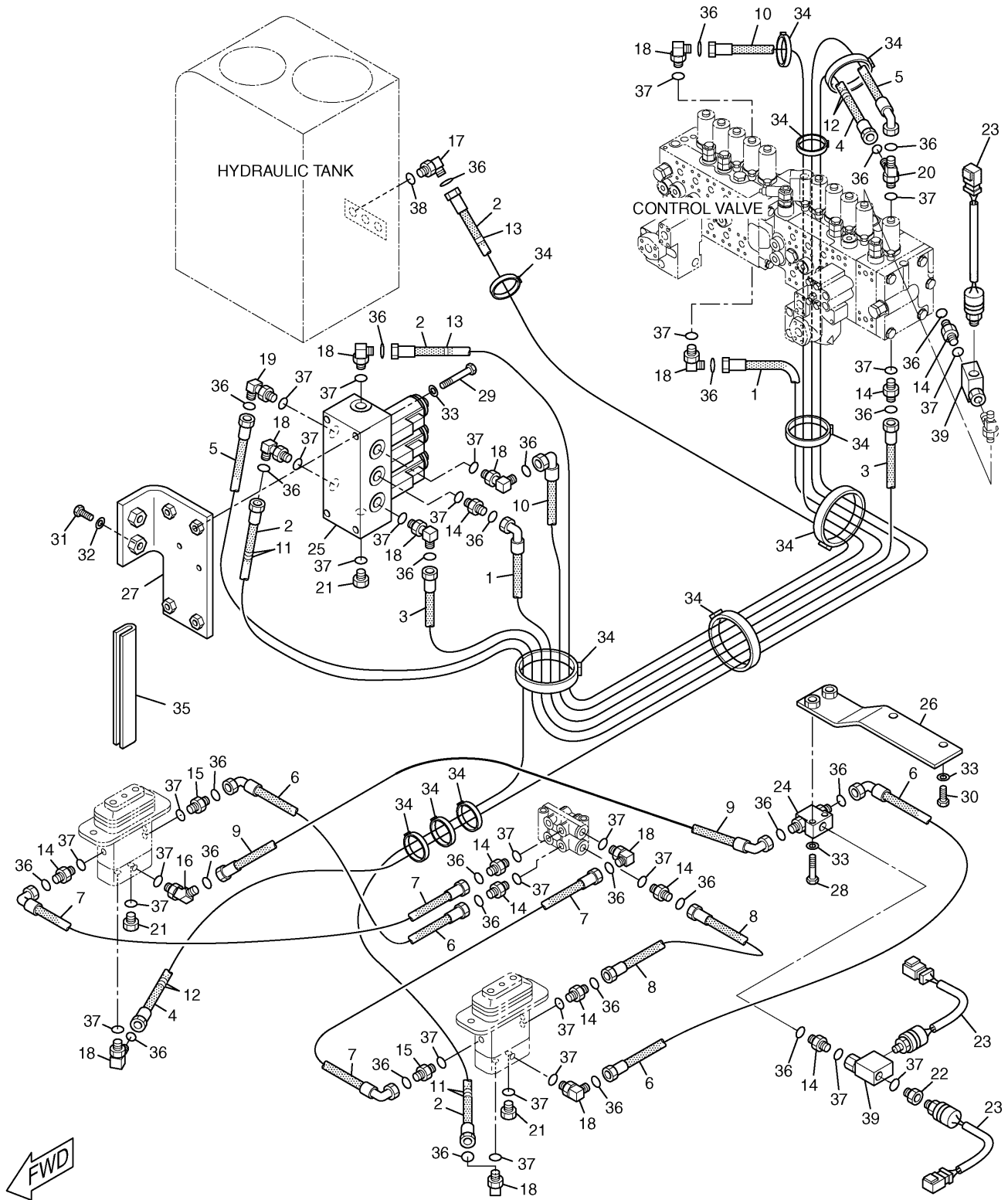
# HYDRAULIC SYSTEM



H79718E 01

**199-1973 LINES GP-PILOT**  
 Part of 165-1119-Page310  
 165-9549-Page428  
 An Attachment

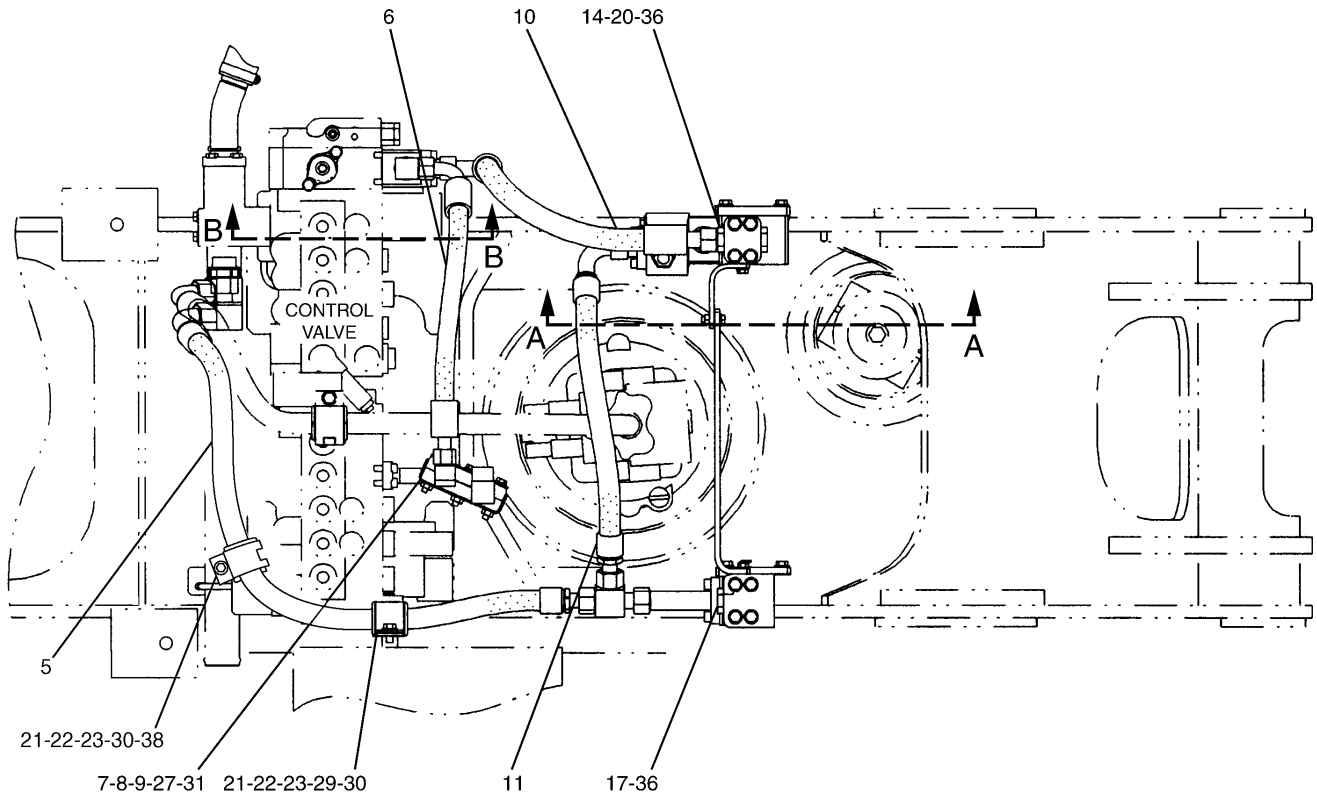
# HYDRAULIC SYSTEM



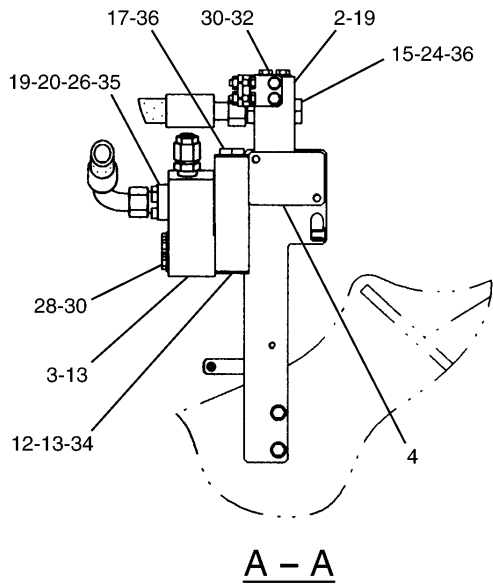
H83964E 01

**212-5389 LINES GP-PILOT**  
 Part of 200-6653-Page312  
 165-9549-Page428,123-2430-Page467  
 An Attachment

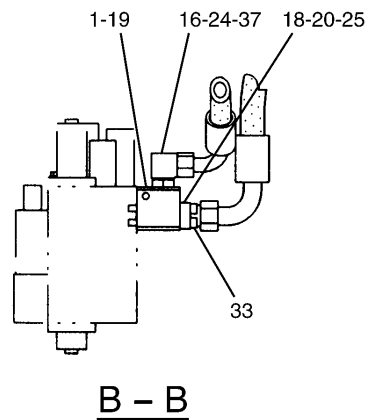
# HYDRAULIC SYSTEM



TOP VIEW



A - A

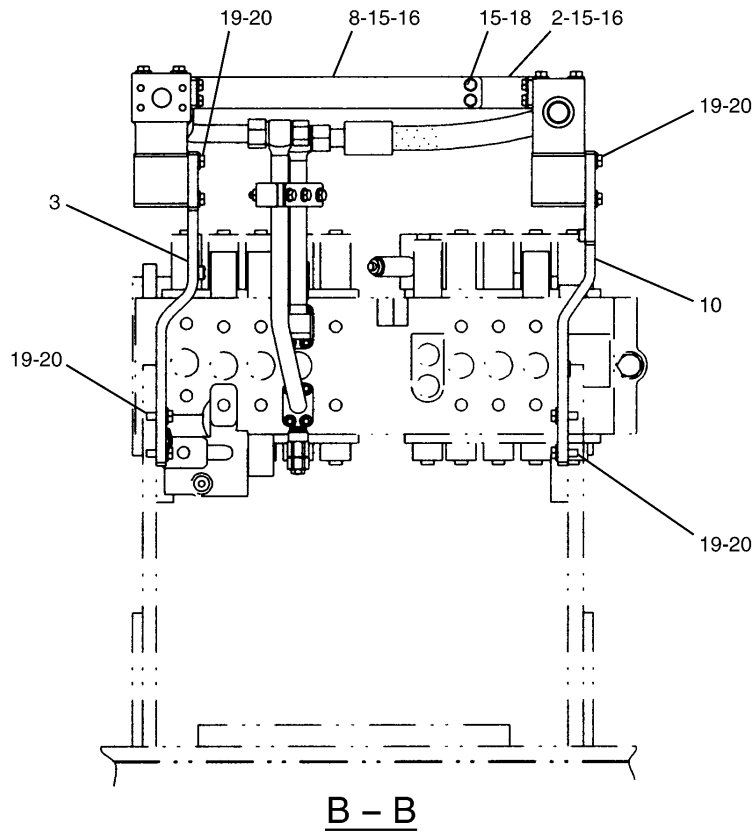
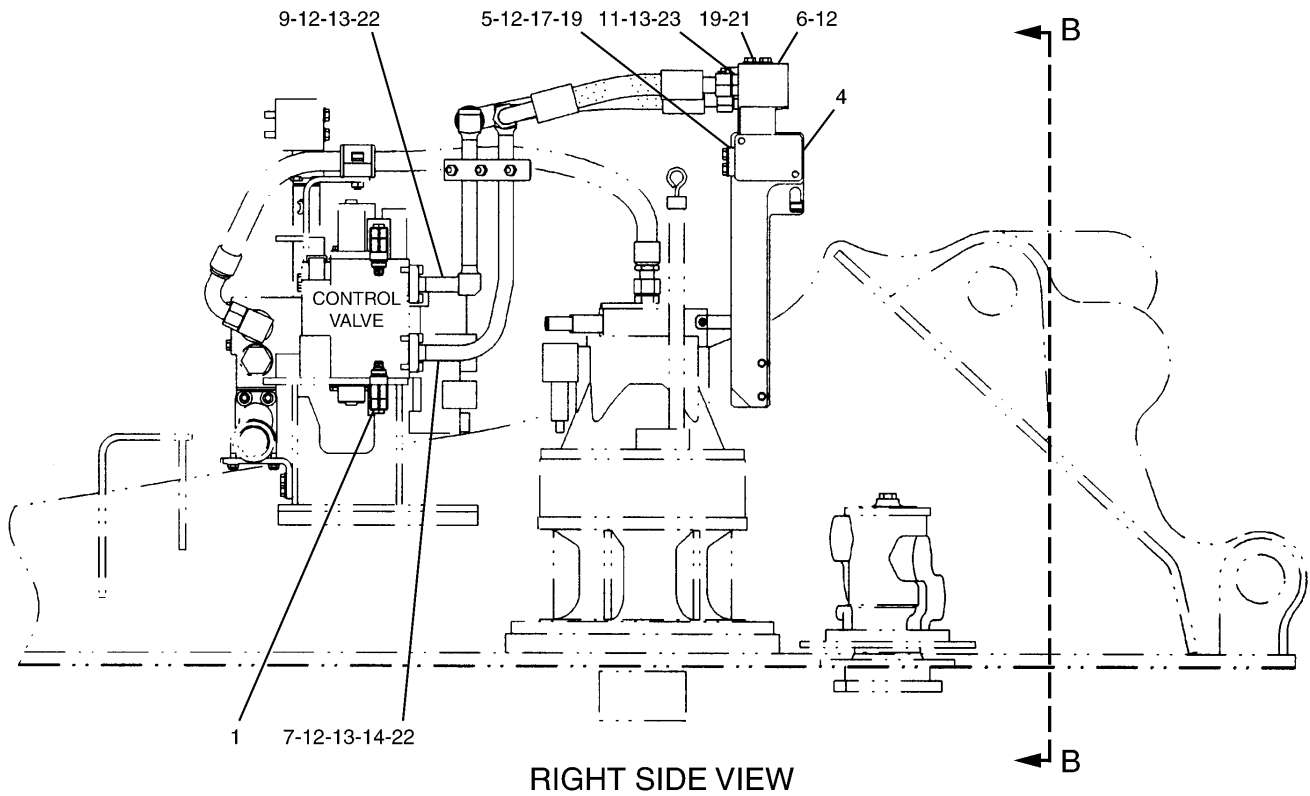


B - B

H83968E 01

207-6496 LINES GP-FRONT (1/2)  
 Part of 200-6597-Page308  
 177-2653-Page463  
 An Attachment

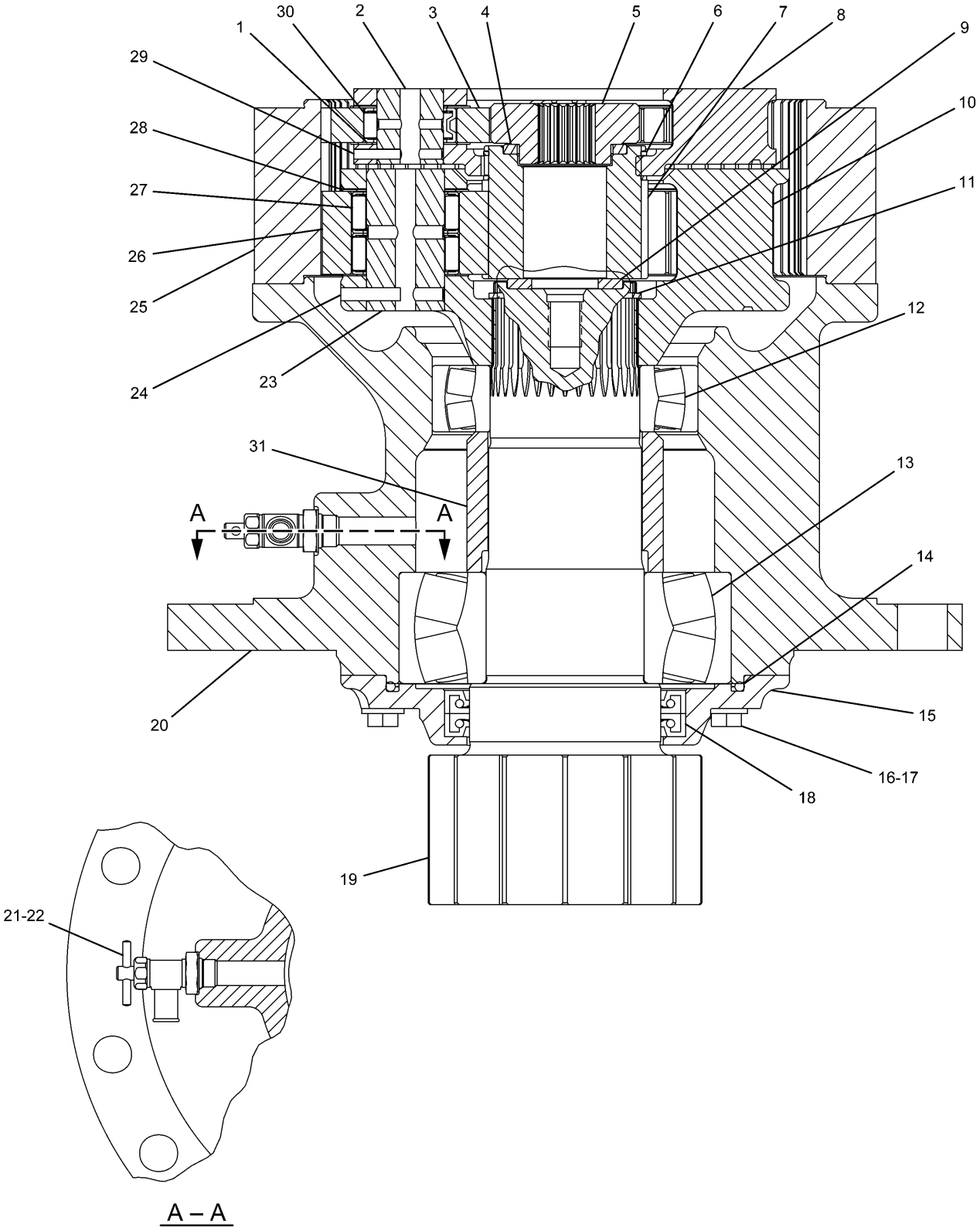
# HYDRAULIC SYSTEM



H88725E 01

**207-6504 LINES GP-FRONT (2/2)**  
 Double Function/1 Pump Flow  
 Part of 200-6598-Page309,200-6639-Page311  
 250-2508-Page459  
 An Attachment

# HYDRAULIC SYSTEM

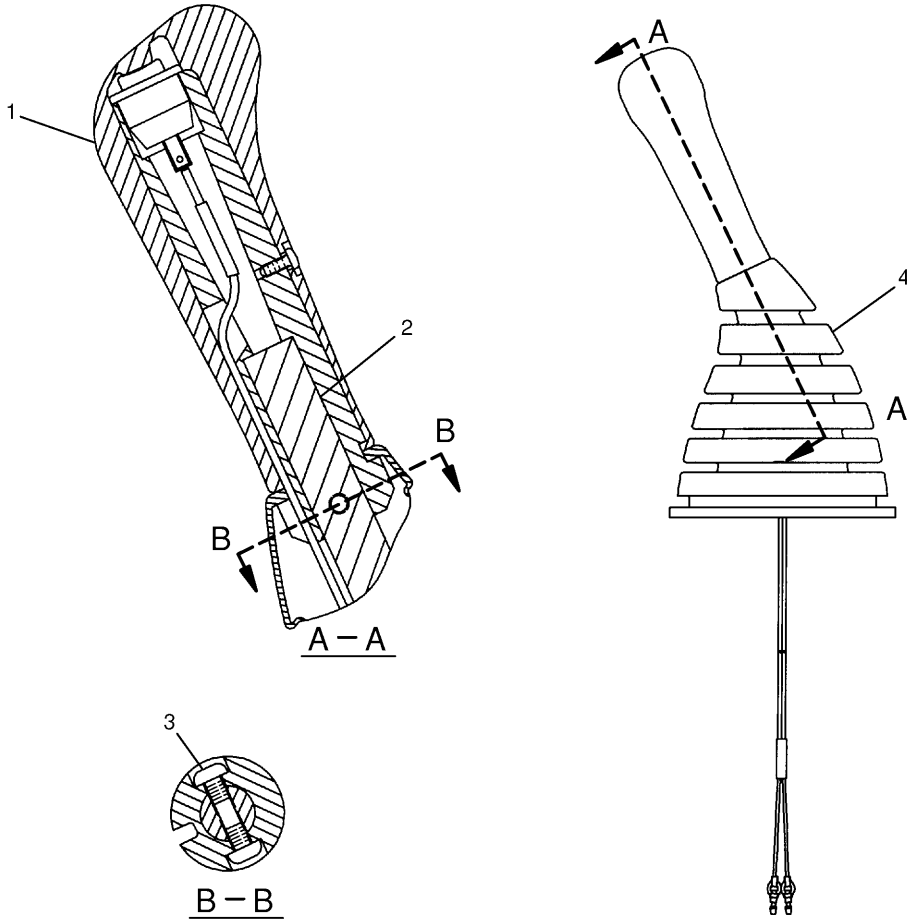


H89998E 10

148-4644 DRIVE GP-SWING  
Part of 199-4513-Page369

# MEMORANDA

# HYDRAULIC SYSTEM



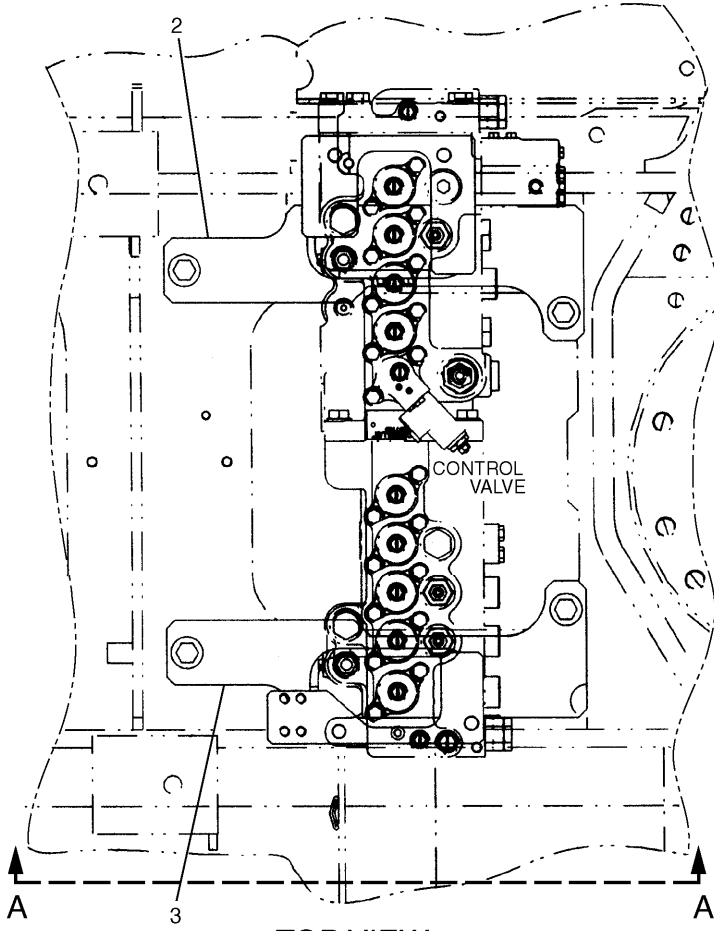
NOTE	No.	PART No.	QTY	PART NAME	NOTE	No.	PART No.	QTY	PART NAME
Y	1	167-7052	1	KNOB AS					
	2	124-4010	1	LEVER					
	3	096-2617	2	SCREW					
	4	167-7050	1	BOOT					

Y-SEE SEPARATE ILLUSTRATION

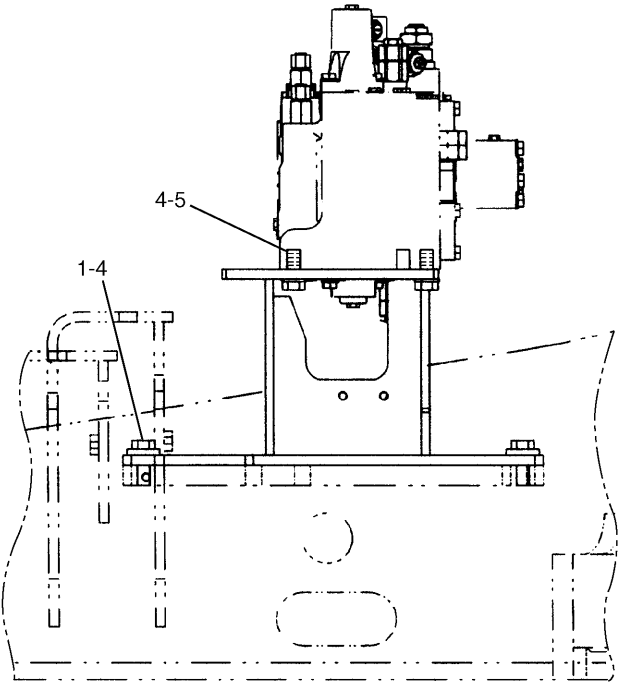
H70091E 02

**164-0532 CONTROL GP-PILOT OPERATED HYD**  
 Part of 206-3303-Page383  
 167-7052-Page389

# HYDRAULIC SYSTEM



TOP VIEW



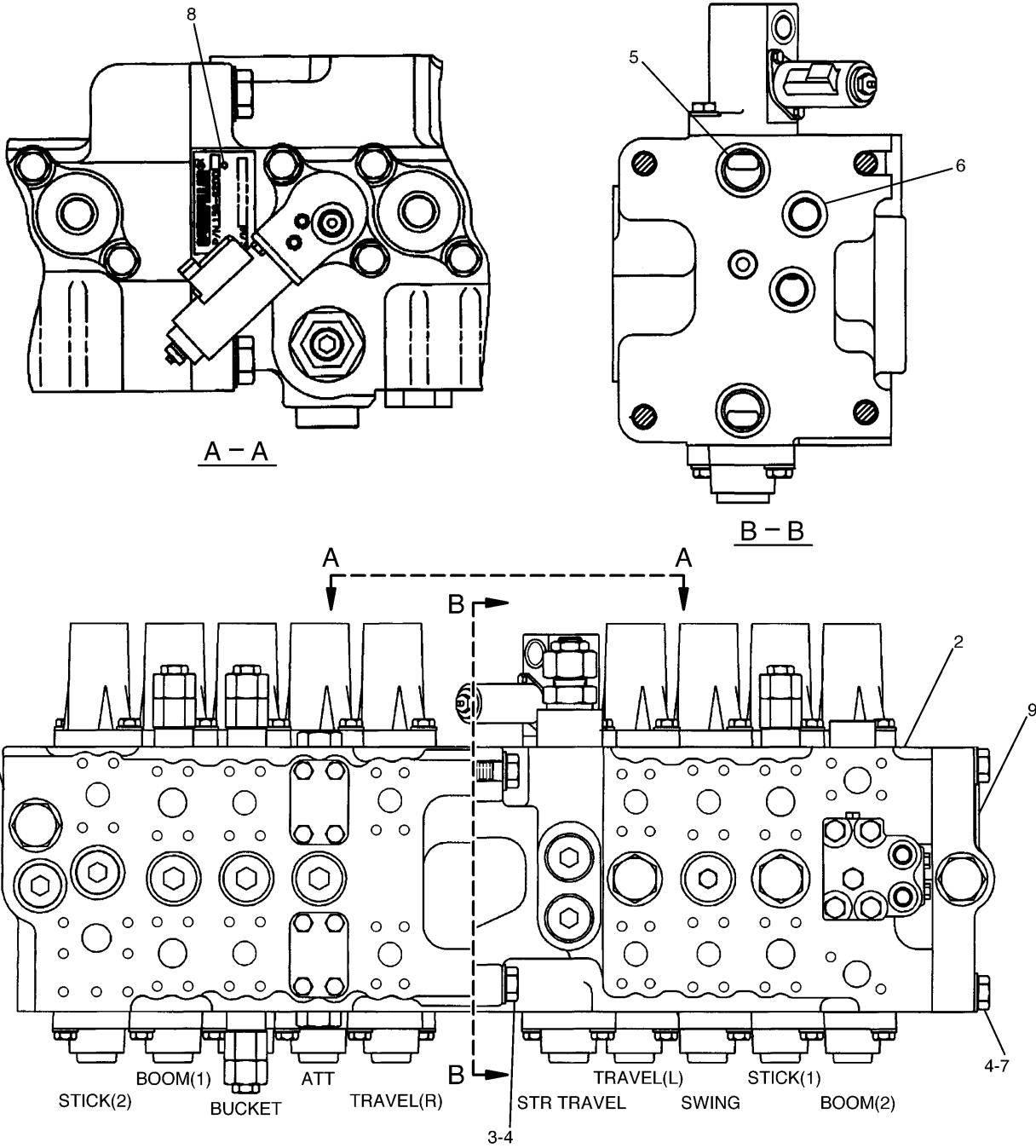
A - A

NOTE	No.	PART No.	QTY	PART NAME	NOTE	No.	PART No.	QTY	PART NAME
	1	196-0711	4	WASHER					
	2	199-1939	1	SUPPORT AS					
	3	199-1940	1	SUPPORT AS					
	4	100-3866	8	BOLT (L=40mm)					
	5	9X-8257	4	WASHER					

H83974E 02

## 199-1670 MOUNTING GP-VALVE

# HYDRAULIC SYSTEM



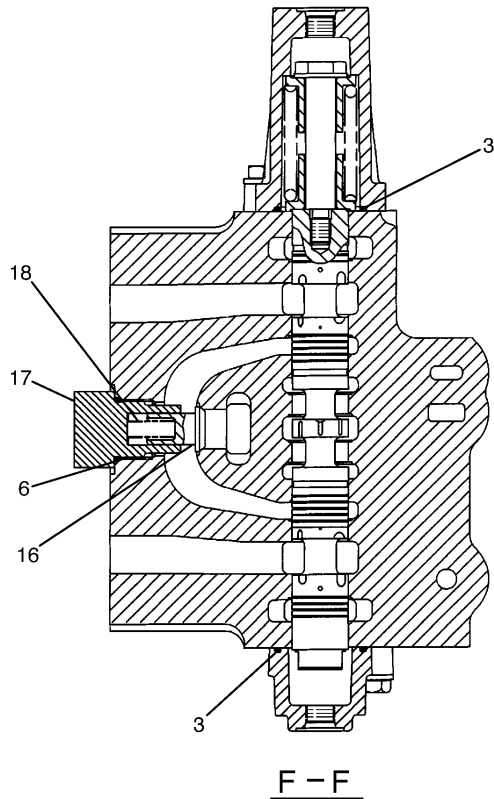
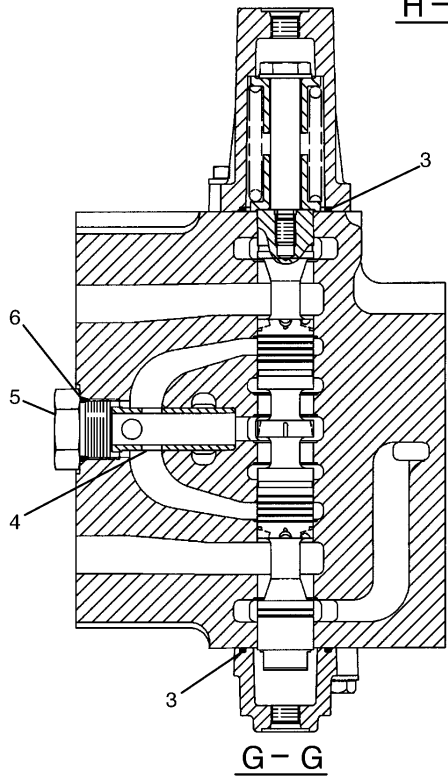
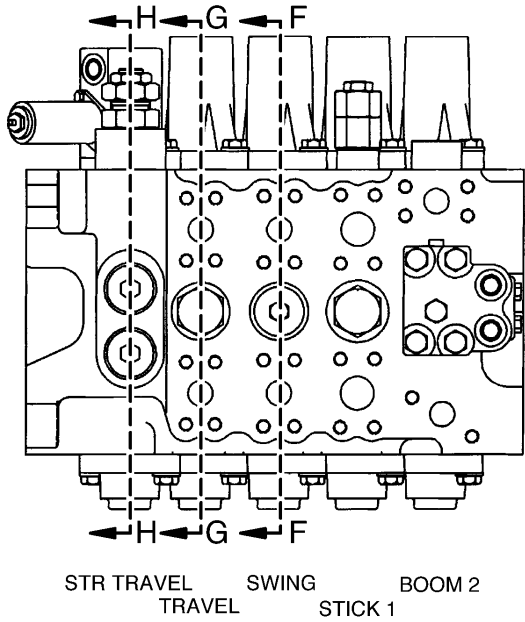
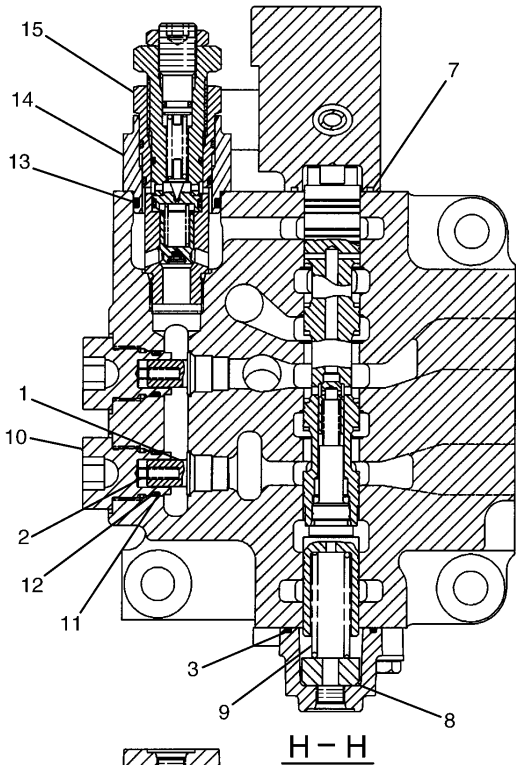
H83975E 02

## 206-3200 VALVE GP-MAIN CONTROL

S/N CWP 1-00164

206-3201-Page402,206-3202-Page406,153-5313-Page464

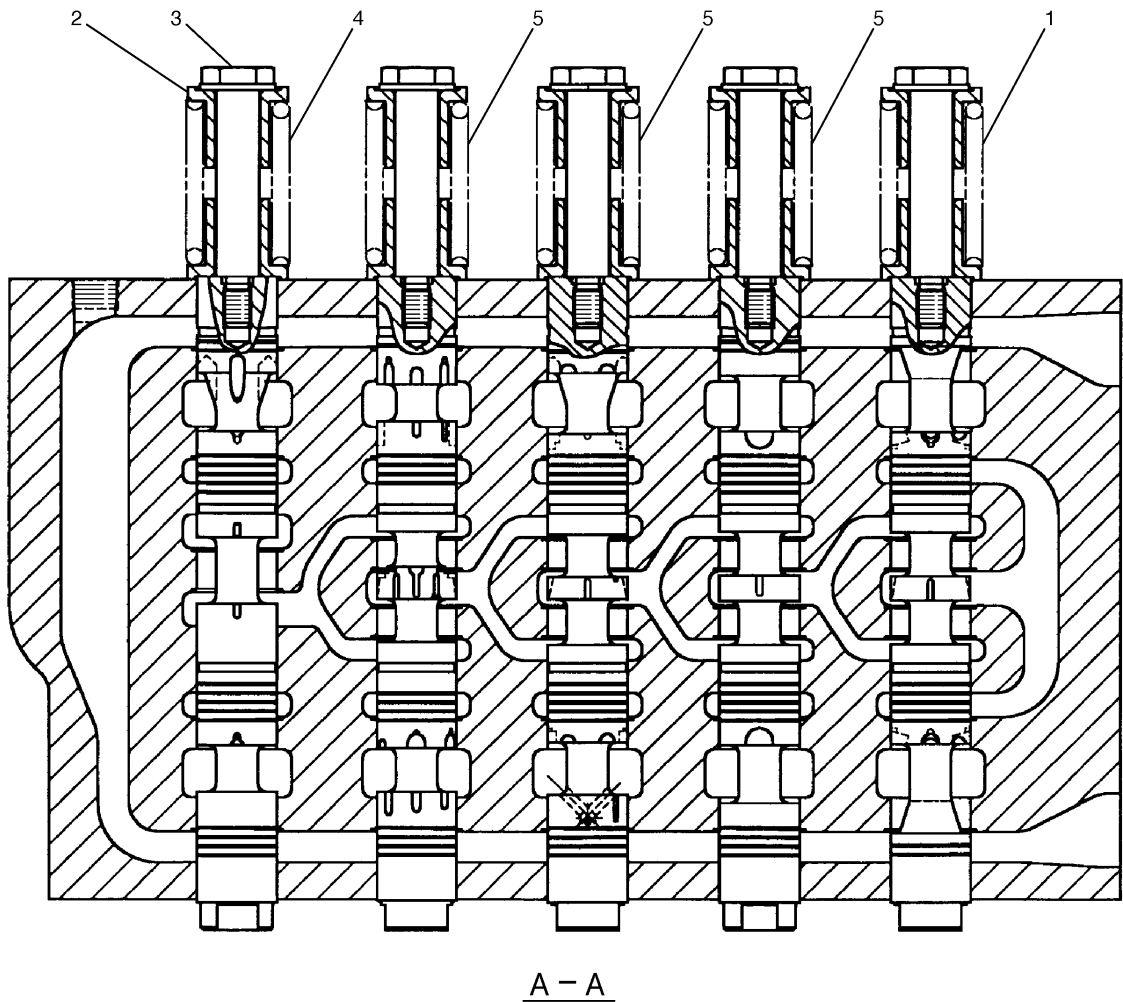
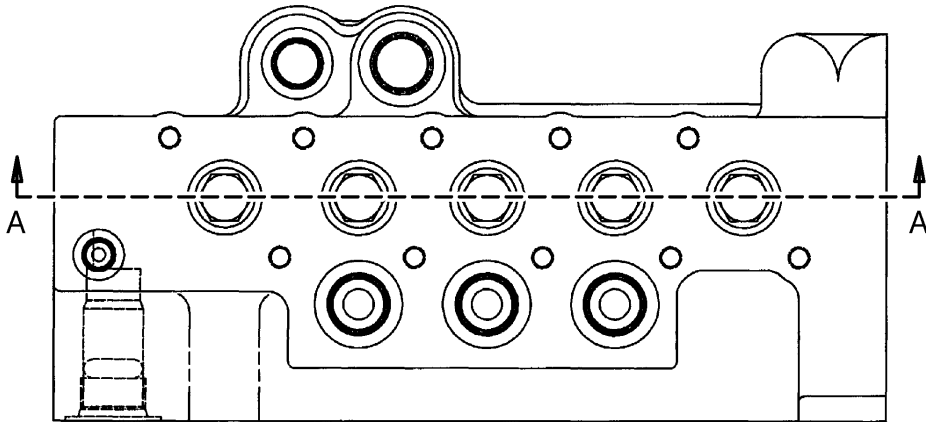
# HYDRAULIC SYSTEM



H88730E 01

**206-3202 VALVE GP-CONTROL (2/2)**  
 S/N CWP 1-00164  
 Part of 206-3200-Page401  
 171-0030-Page456

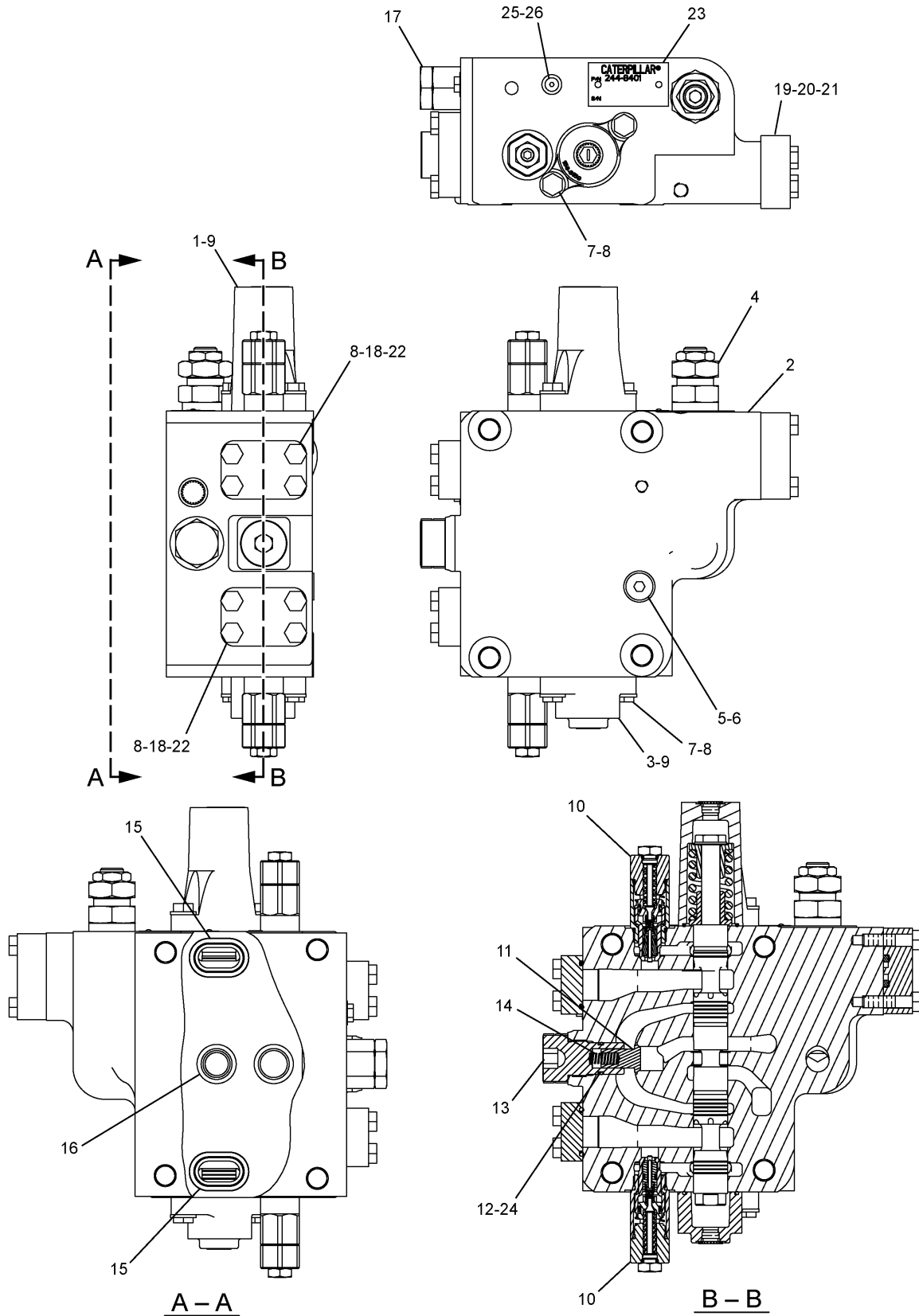
# HYDRAULIC SYSTEM



H83978E 02

**206-3203 VALVE GP-CONTROL**  
S/N CWP 1-00164  
Part of 206-3201-Page403

# HYDRAULIC SYSTEM



H91080E 00

## 244-8401 VALVE GP-CONTROL

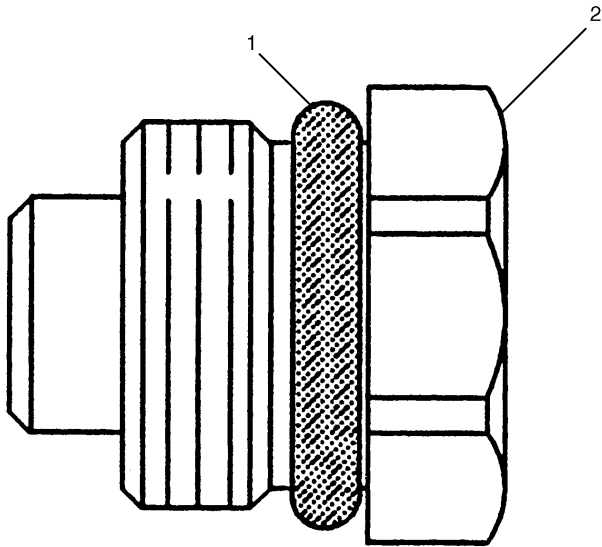
S/N CWP (T05.06)-Up

Part of 153-8765-Page399.01

109-2667-Page453,201-9350-Page457,201-9352-Page458

An Attachment

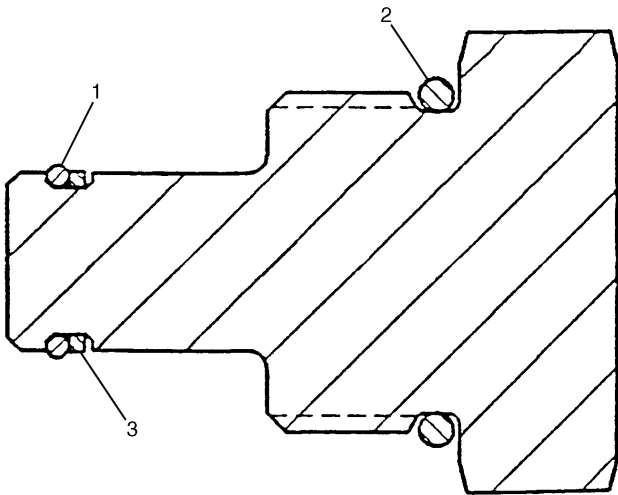
# HYDRAULIC SYSTEM



NOTE	No.	PART No.	QTY	PART NAME
	1	6E-2745	1	SEAL
	2	9T-4506	1	PLUG

H58173E 02

**6E-2746 PLUG GP**  
Part of 6E-4816-Page421

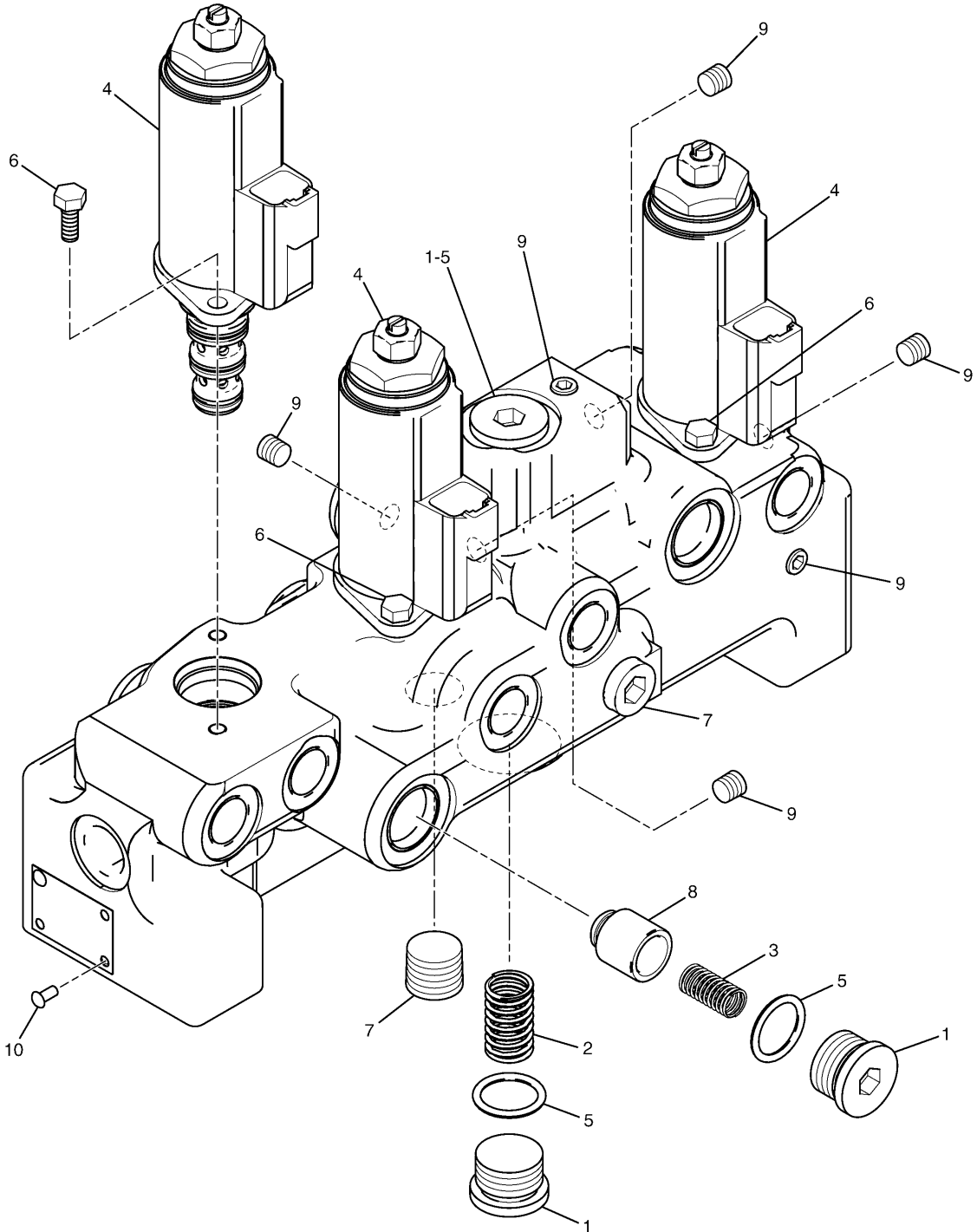


NOTE	No.	PART No.	QTY	PART NAME
	1	6M-5062	1	SEAL-O-RING (ID=10.82mm)
	2	3D-2824	1	SEAL-O-RING (ID=23.47mm)
	3	9J-0705	1	RING

H50289E 01

**6E-4793 PLUG GP**  
Part of 6E-4816-Page421

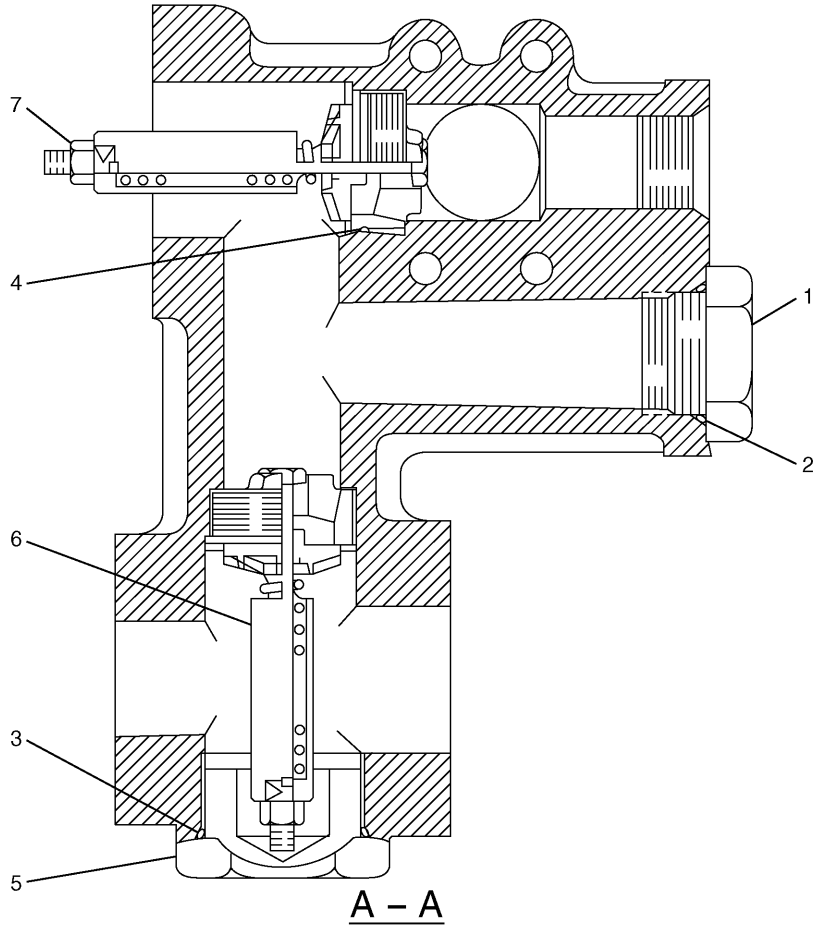
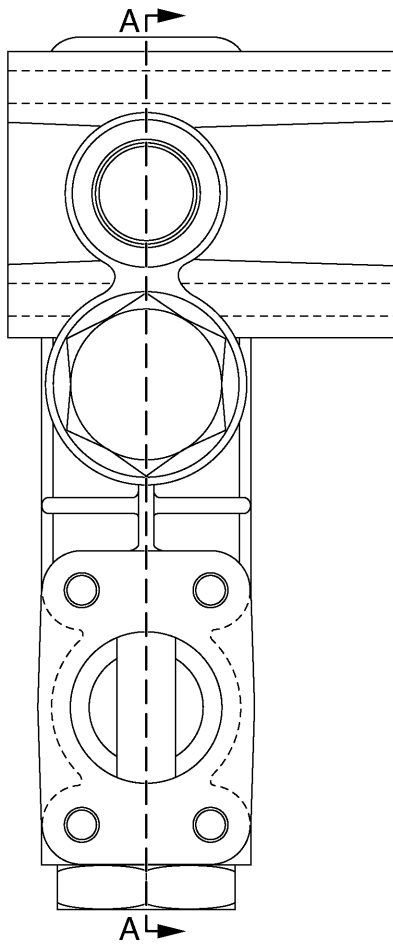
# HYDRAULIC SYSTEM



H87218E 00

**239-8998 VALVE GP-SELECTOR**  
S/N CWP 00166-Up  
Part of 215-5037-Page427.01  
121-1491-Page431

# HYDRAULIC SYSTEM

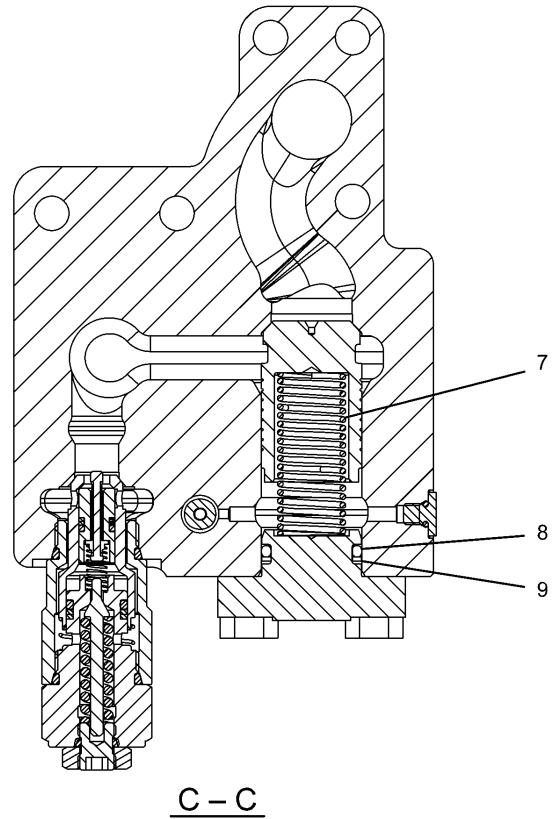
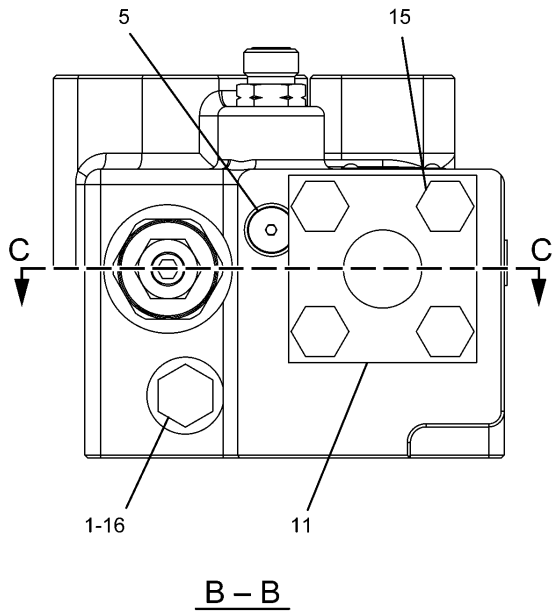
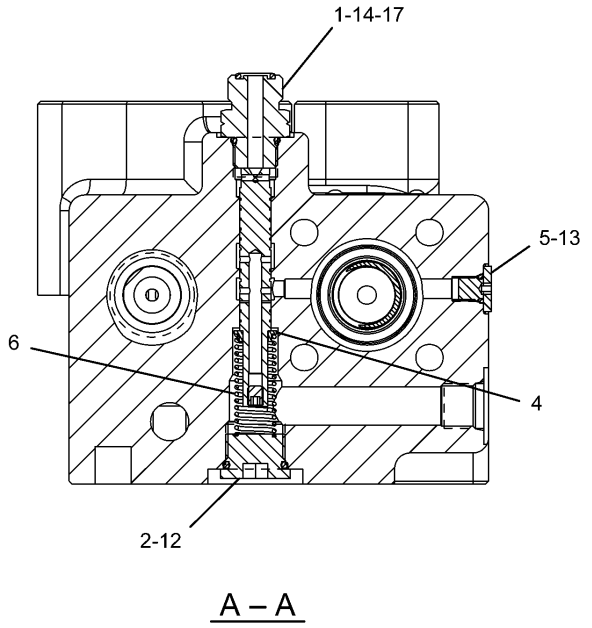
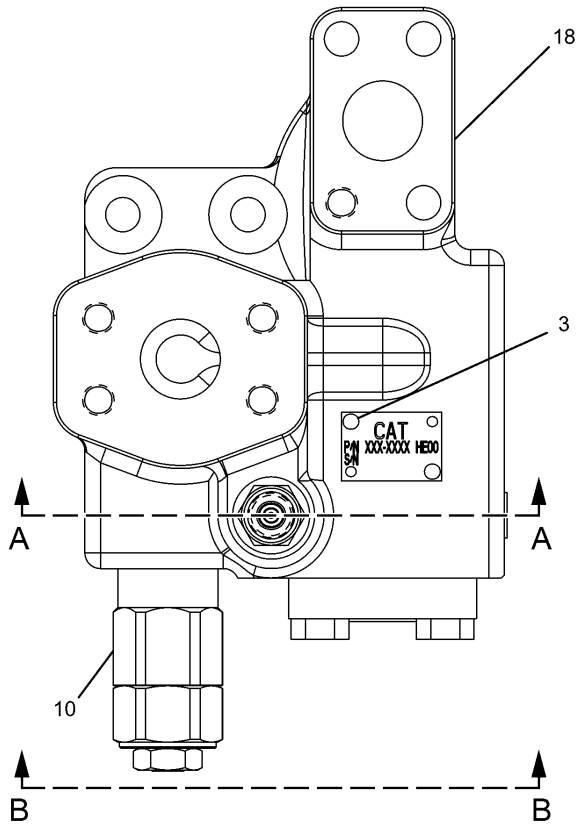


NOTE	No.	PART No.	QTY	PART NAME	NOTE	No.	PART No.	QTY	PART NAME
	1	9S-6130	1	PLUG					
	2	2S-4078	1	SEAL-O-RING (ID=37.47mm)					
	3	095-1547	1	SEAL-O-RING (ID=49.70mm)					
	4	184-3841	1	RING					
	5	190-7826	1	PLUG					
	6	177-2713	1	VALVE AS					
	7	184-3833	1	VALVE AS					

H73542E 03

**173-4672 VALVE GP-CHECK**  
Part of 199-1666-Page363

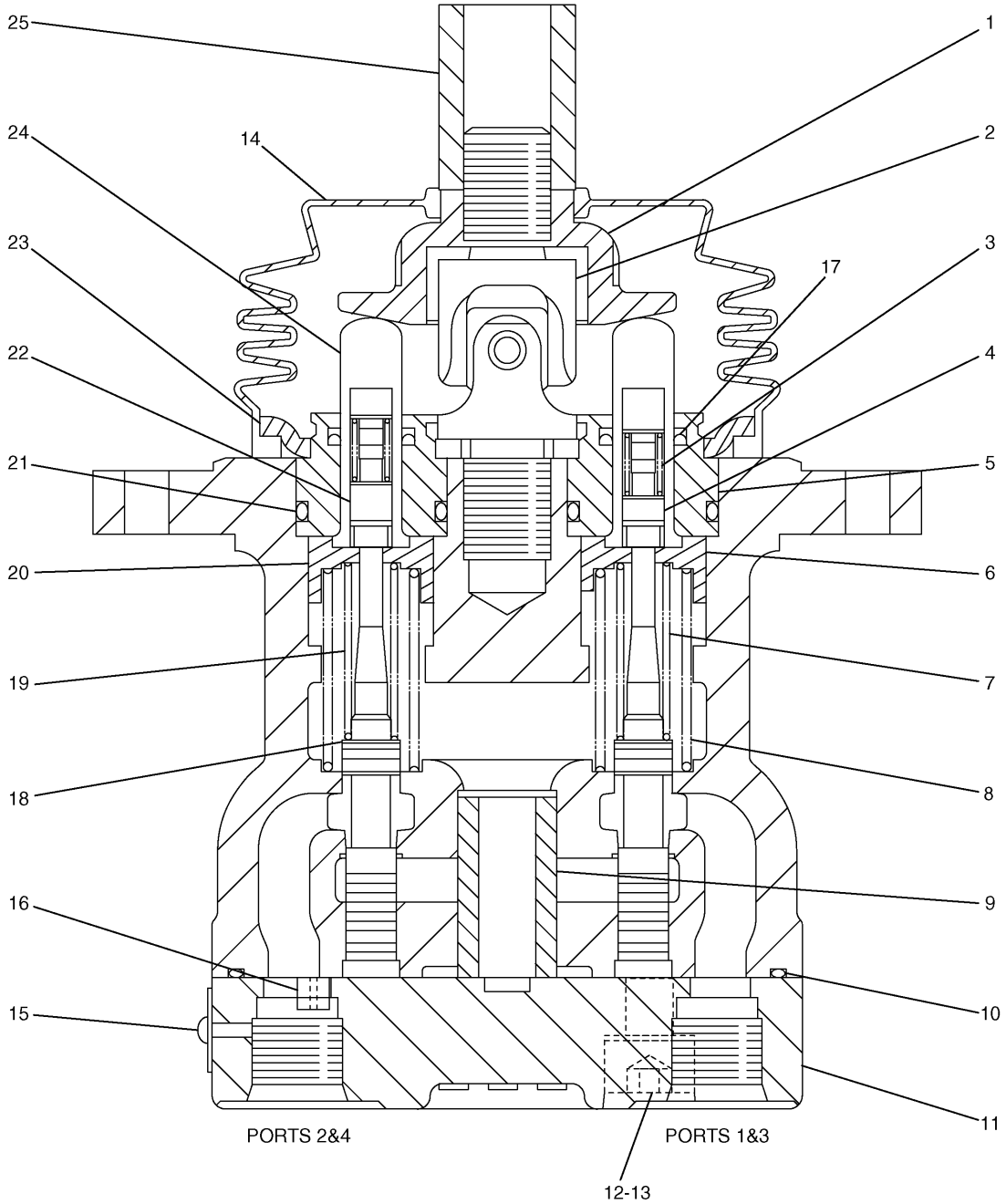
# HYDRAULIC SYSTEM



H89145E 00

**264-9963 VALVE GP-PILOT**  
S/N CWP 00182-Up  
Part of 199-1665-Page341.02  
250-2508-Page459

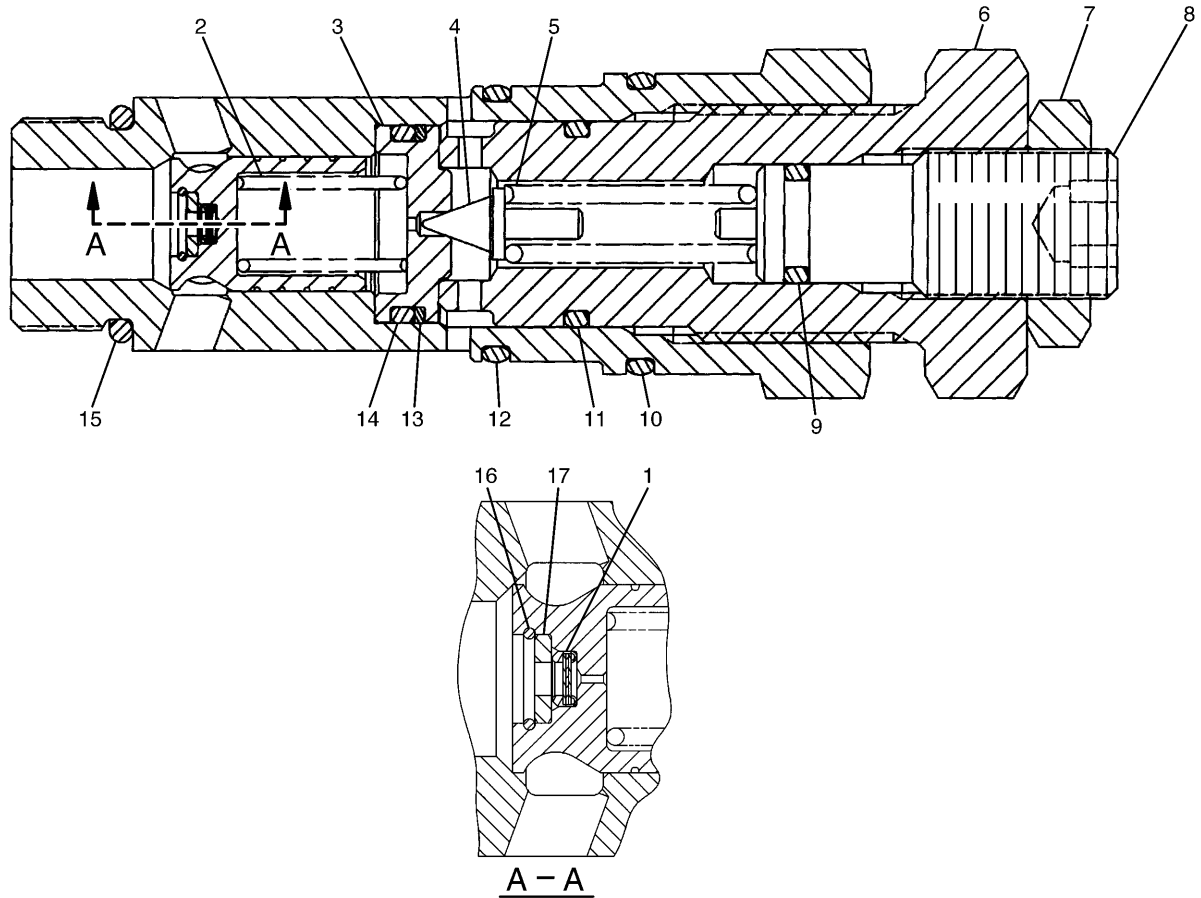
# HYDRAULIC SYSTEM



H78638E 04

**165-9569 VALVE GP-PILOT**  
Part of 187-9973-Page384, 187-9974-Page385  
An Attachment

# HYDRAULIC SYSTEM

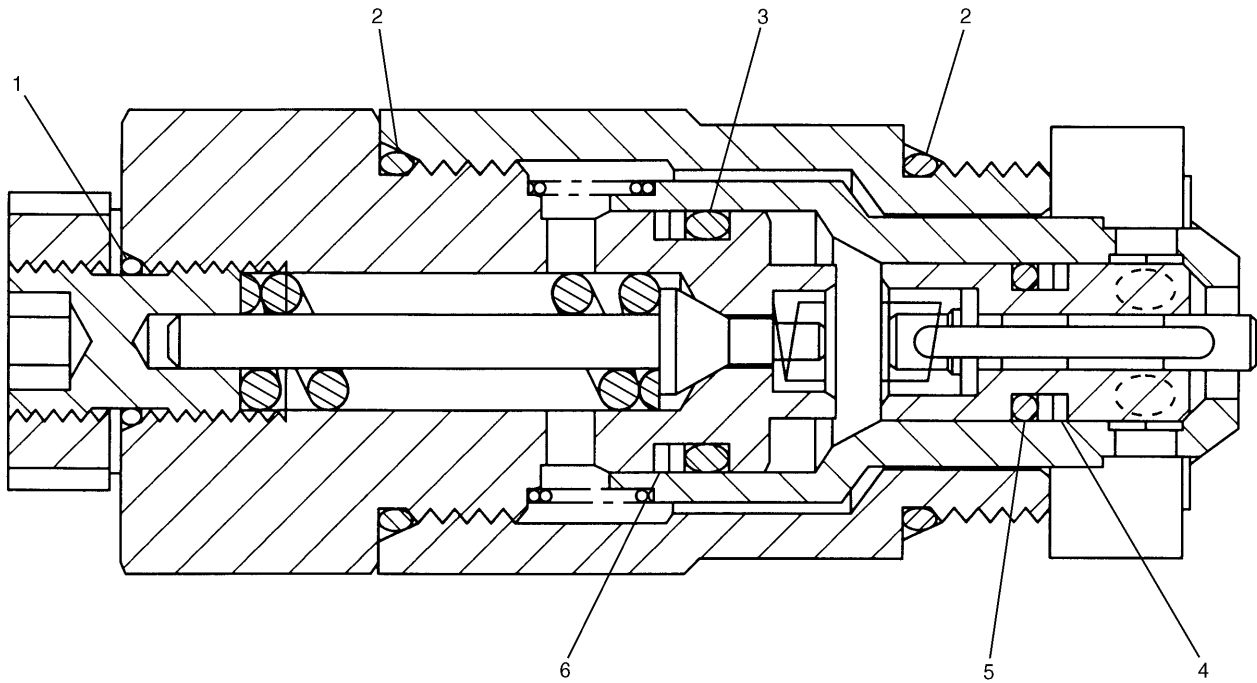


NOTE	No.	PART No.	QTY	PART NAME	NOTE	No.	PART No.	QTY	PART NAME
	1	119-5398	1	FILTER					
	2	61-6795	1	SPRING					
	3	171-0034	1	SEAT					
	4	171-0037	1	VALVE					
	5	41-3510	1	SPRING					
	6	171-0035	1	HOLDER					
	7	41-7714	1	NUT					
	8	171-0036	1	ADJUSTER					
	9	095-1579	1	SEAL-O-RING (ID=10.80mm)					
	10	6V-8218	1	SEAL-O-RING (ID=32.99mm)					
	11	095-1590	1	SEAL-O-RING (ID=21.80mm)					
	12	6V-8978	1	SEAL-O-RING (ID=29.82mm)					
	13	095-1786	1	RING					
	14	095-1587	1	SEAL-O-RING (ID=20.80mm)					
	15	3D-2824	1	SEAL-O-RING (ID=23.47mm)					
	16	107-6541	1	RING					
	17	107-6540	1	COLLAR					

H67329E 00

**171-0030 VALVE GP-RELIEF**  
 Pilot Operated  
 Part of 206-3202-Page409,255-3197-Page409.08

# HYDRAULIC SYSTEM



NOTE	No.	PART No.	QTY	PART NAME	NOTE	No.	PART No.	QTY	PART NAME
	1	095-1578	1	SEAL-O-RING (ID=9.80mm)					
	2	3D-2824	2	SEAL-O-RING (ID=23.47mm)					
	3	103-8255	1	SEAL-O-RING (ID=14.80mm)					
	4	103-8252	2	RING					
	5	103-8254	1	SEAL-O-RING (ID=7.80mm)					
	6	103-8253	2	RING					

H74579E 00

**201-9353 VALVE GP-PILOT RELIEF**  
 Part of 201-9352-Page458  
 An Attachment

# MEMORANDA

# OPERATOR STATION

Consists of :

			Page
1	293-1302	CAB GP (BASIC).....	475.01
1	163-6623	WIRING GP-CAB.....	120

H97842E 00

## 293-1308 CAB GP (BASIC)

S/N CWP (T07.03)-Up  
An Attachment

Consists of :

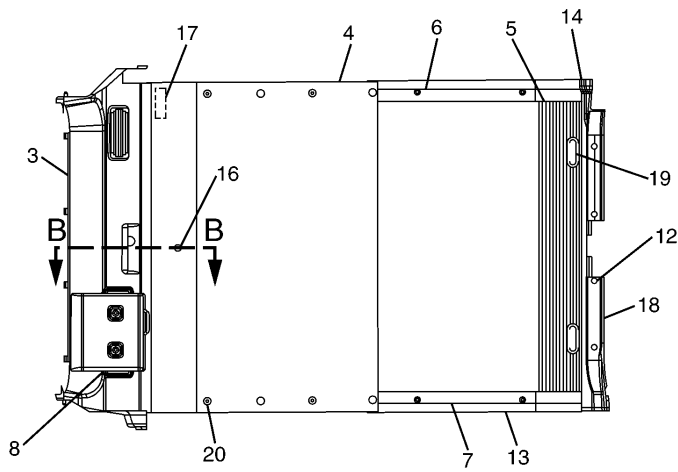
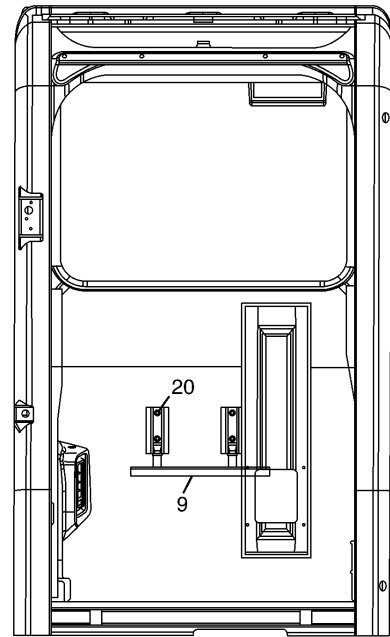
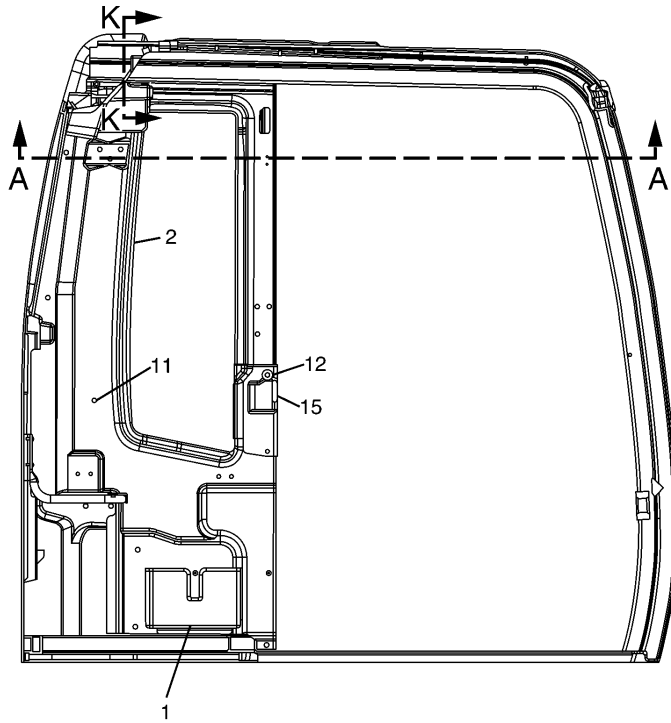
			Page
1	293-1306	CAB GP (BASIC).....	477.01
1	163-6623	WIRING GP-CAB.....	120

H97843E 00

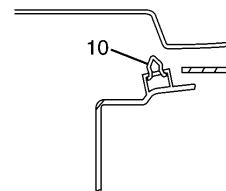
## 293-1312 CAB GP (BASIC)

S/N CWP (T07.03)-Up  
An Attachment

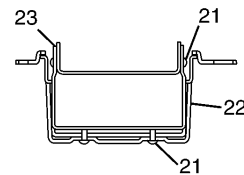
# OPERATOR STATION



A - A



B - B

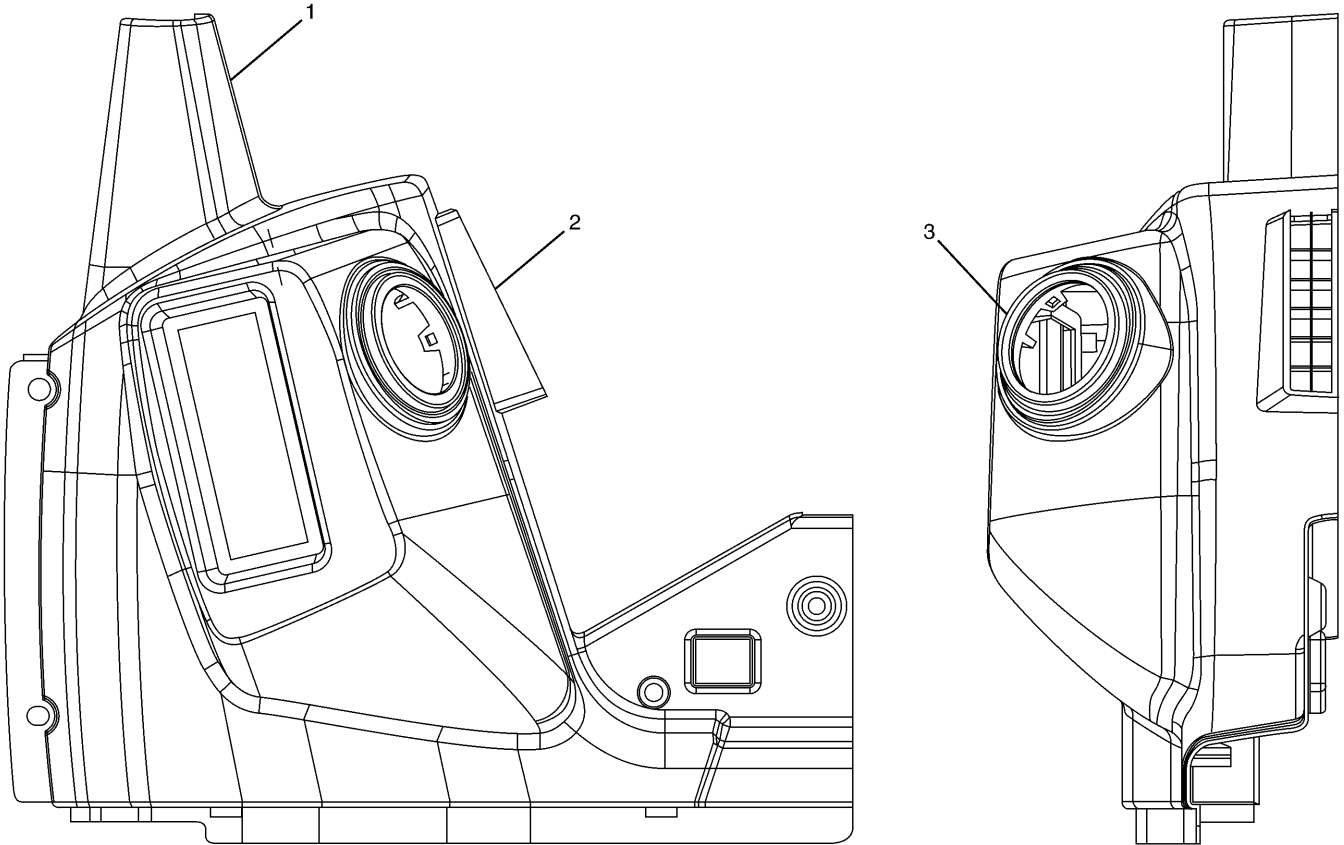


K - K

HA1765E 05

**185-8278 CAB GP-INTERIOR (1/2)**  
 Part of 139-7092-Page475,293-1302-Page475.02  
 An Attachment

# OPERATOR STATION

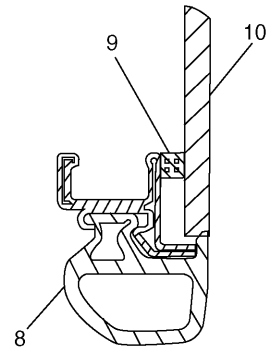
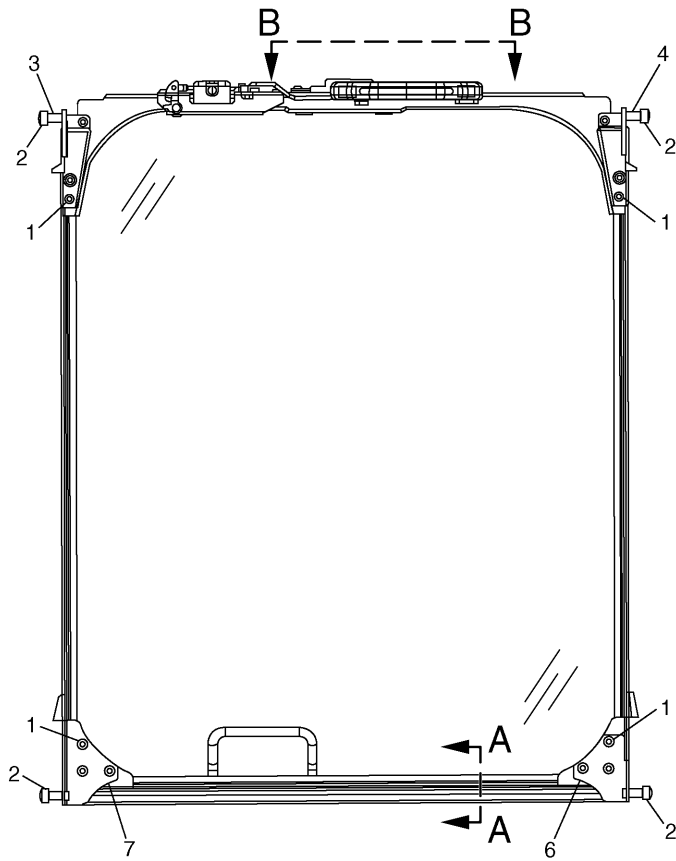


NOTE	No.	PART No.	QTY	PART NAME	NOTE	No.	PART No.	QTY	PART NAME
	1	156-6564	1	COVER					
	2	164-0673	1	LOUVER					
	3	156-6595	1	HOUSING					

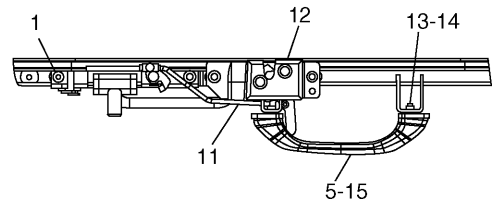
H74616E 01

**170-9723 COVER GP**  
 Part of 185-8278-Page481,176-1981-Page485  
 An Attachment

# OPERATOR STATION



**A - A**



**B - B**

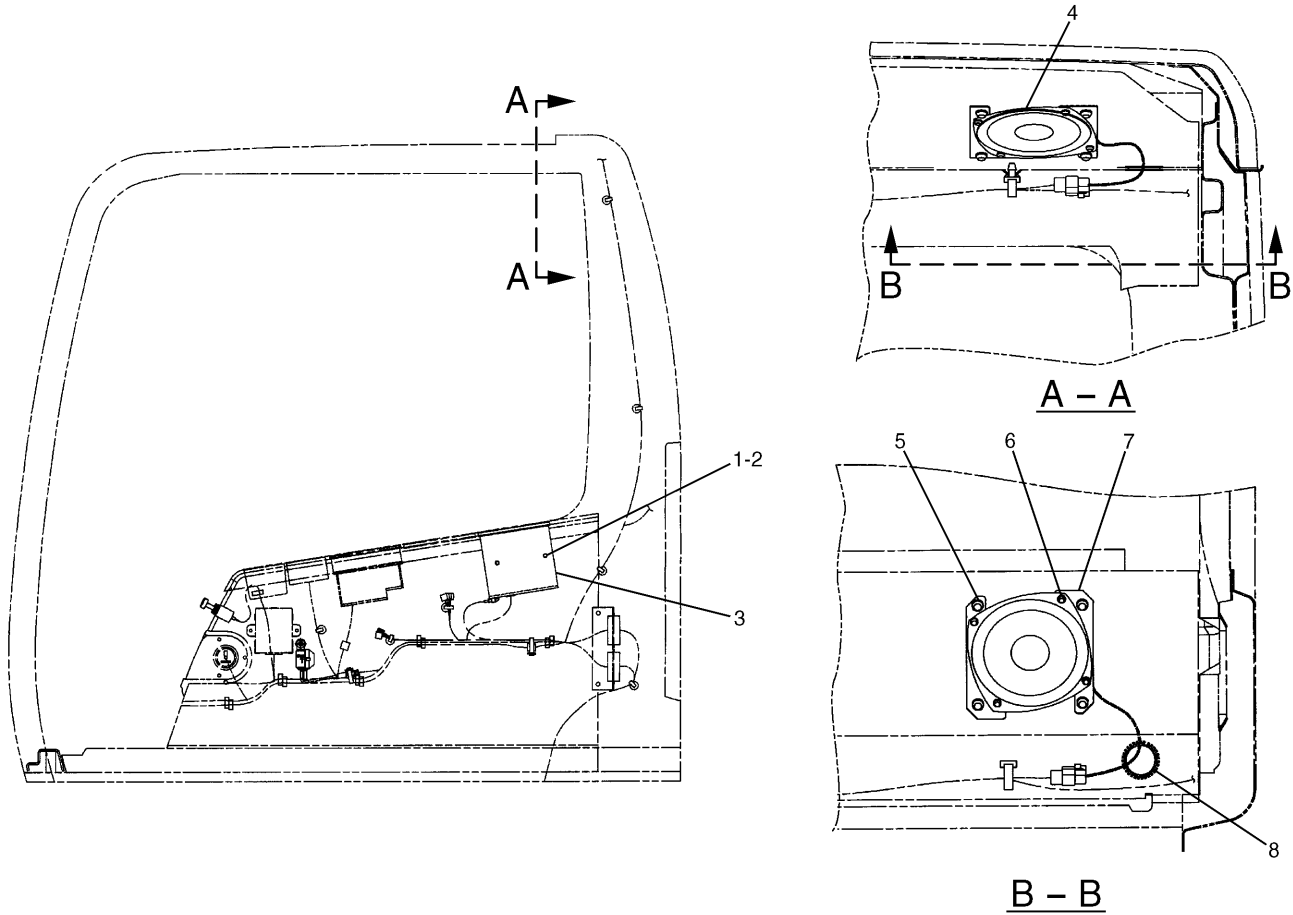
NOTE	No.	PART No.	QTY	PART NAME	NOTE	No.	PART No.	QTY	PART NAME
	1	9X-2042	15	SCREW					
	2	151-9576	4	ROLLER					
	3	273-5346	1	LINK AS					
	4	273-5345	1	LINK AS					
	5	151-6704	2	CAP					
	6	151-6813	1	BRACKET AS					
	7	151-6815	1	BRACKET AS					
	8	161-3698	1	SEAL					
	9	170-9722	1	CUSHION					
	10	156-6472	1	GLASS					
	11	151-6832	1	LEVER AS					
	12	151-6831	1	LOCK AS					
	13	095-0827	2	LOCKWASHER					
	14	8T-6412	2	SCREW					
	15	151-6703	1	HANDLE					

H91610E 02

**171-7503 WINDOW GP**  
An Attachment

# MEMORANDA

# OPERATOR STATION



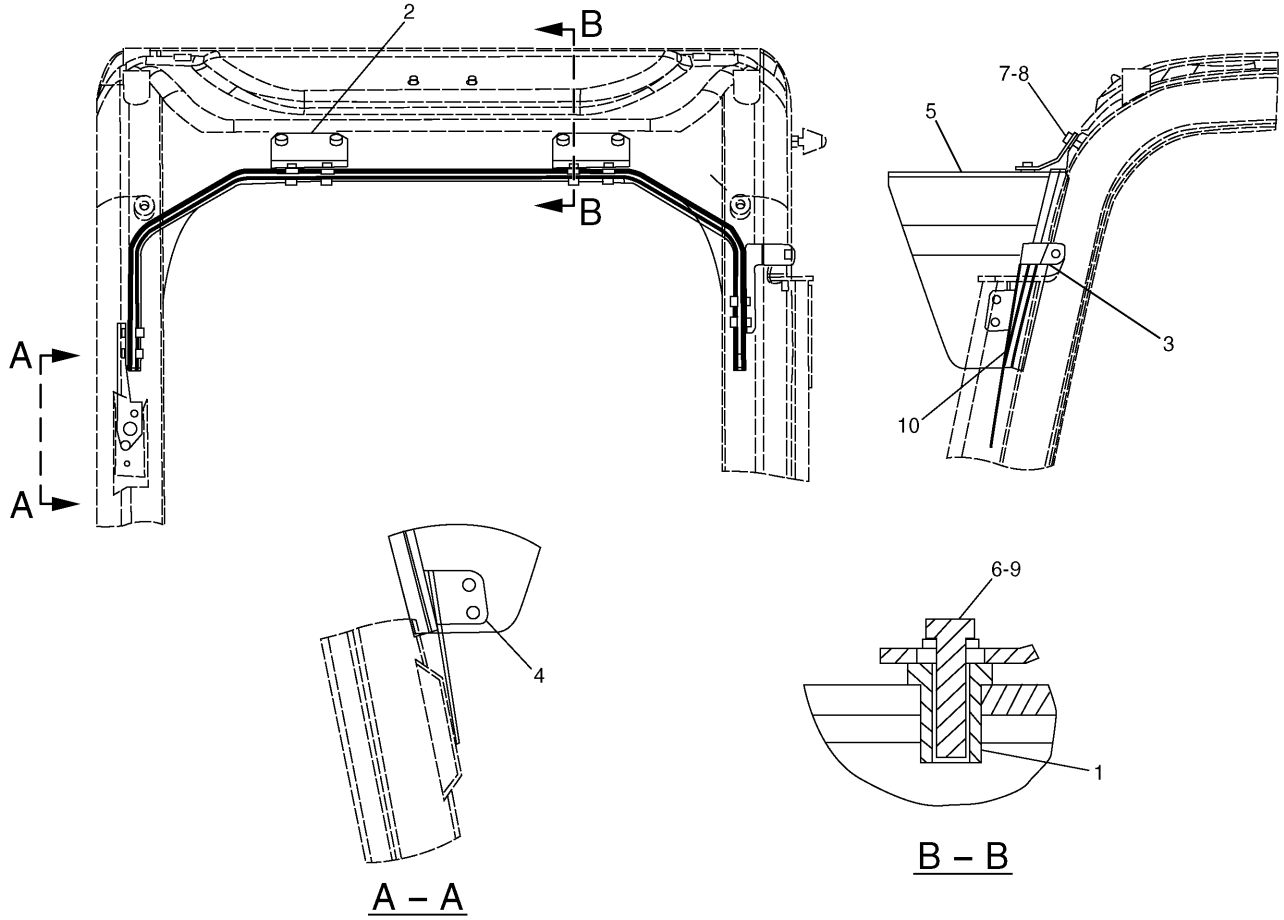
NOTE	No.	PART No.	QTY	PART NAME	NOTE	No.	PART No.	QTY	PART NAME
E	1	095-0736	2	SCREW					
	2	8T-0328	2	WASHER					
	3	163-6707	1	RADIO (AM/FM)					
	4	7Y-5505	2	SPEAKER AS					
		7Y-3951	2	TERMINAL					
	5	099-7127	8	SCREW					
	6	8C-7581	8	SCREW					
	7	116-0210	4	BRACKET AS					
8	101-2846		GUARD... (9cm x 2)						

E—ORDER BY THE CENTIMETER

H85087E 03

**163-6633 RADIO GP-AM/FM**  
An Attachment

# OPERATOR STATION



NOTE	No.	PART No.	QTY	PART NAME	NOTE	No.	PART No.	QTY	PART NAME
	1	41-5049	8	NUT					
	2	164-0618	2	BRACKET					
	3	164-0619	1	BRACKET					
	4	164-0620	1	BRACKET					
	5	164-0621	1	VISOR					
	6	6V-7357	8	BOLT (L=25mm)					
	7	8T-4189	4	BOLT (L=20mm)					
	8	8T-4224	4	WASHER					
	9	9X-8256	8	WASHER					
D	10	5P-8292		SEAL... (1.4m)					

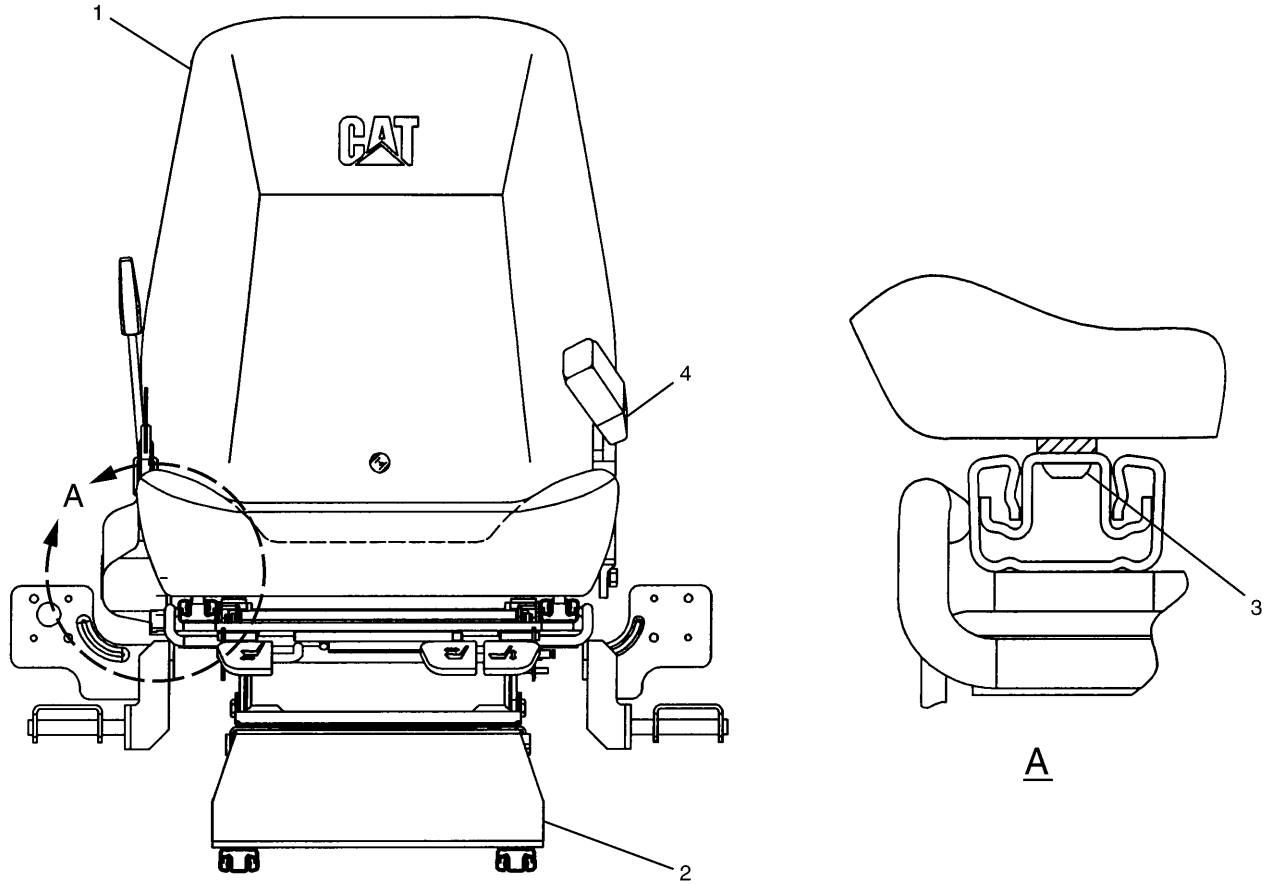
D—ORDER BY THE METER

H72014E 03

**161-3750 VISOR GP-PROTECTION-RAIN**  
An Attachment

# MEMORANDA

# OPERATOR STATION



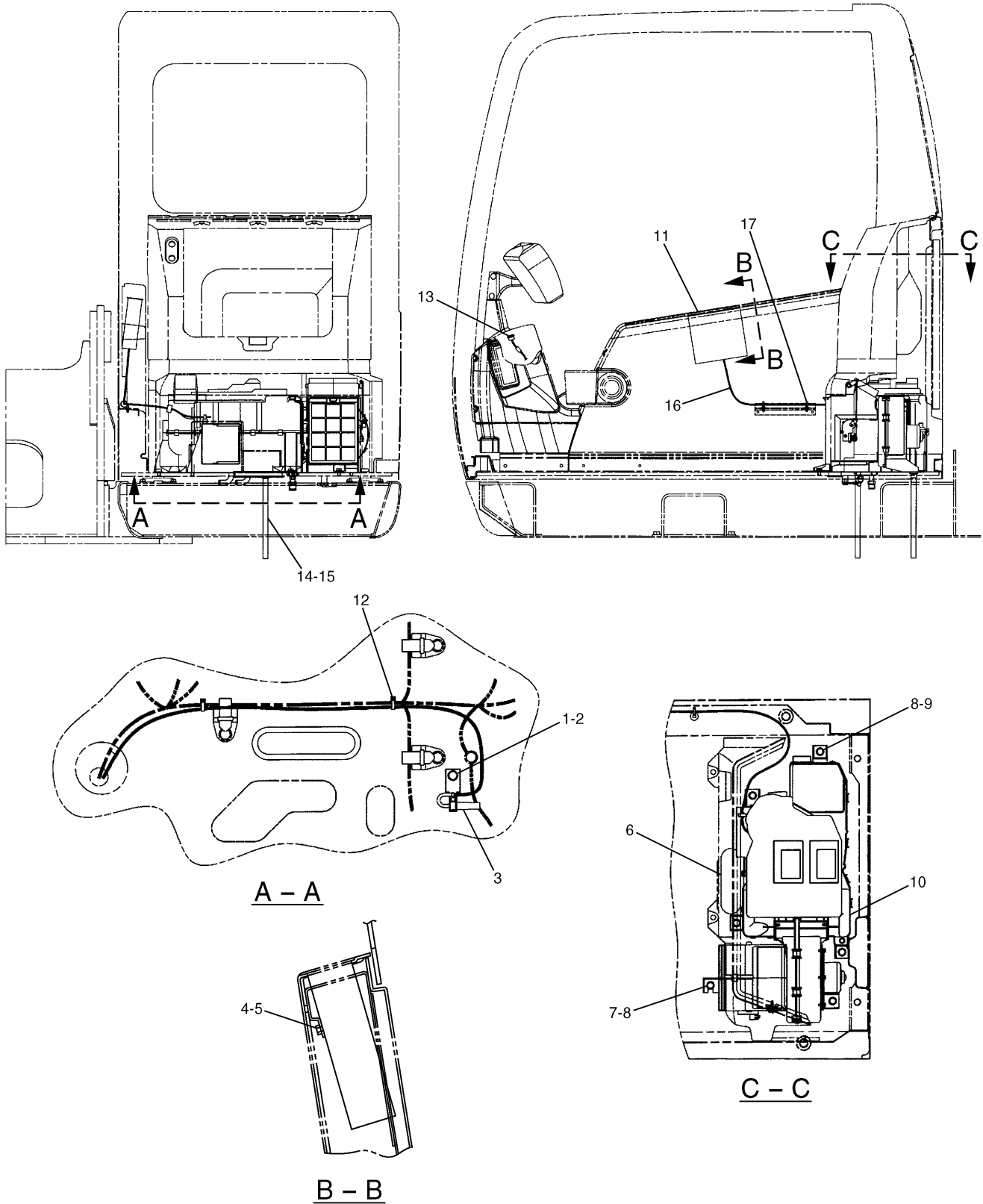
NOTE	No.	PART No.	QTY	PART NAME	NOTE	No.	PART No.	QTY	PART NAME
	1	171-7478	1	SEAT GP					
Y	2	164-0479	1	SUSPENSION GP					
	3	178-5565	4	SCREW					
Y	4	201-4437	1	BELT GP					

Y-SEE SEPARATE ILLUSTRATION

H77616E 04

**171-7352 SEAT GP**  
 164-0479-Page543,201-4437-Page544.01  
 An Attachment

# OPERATOR STATION

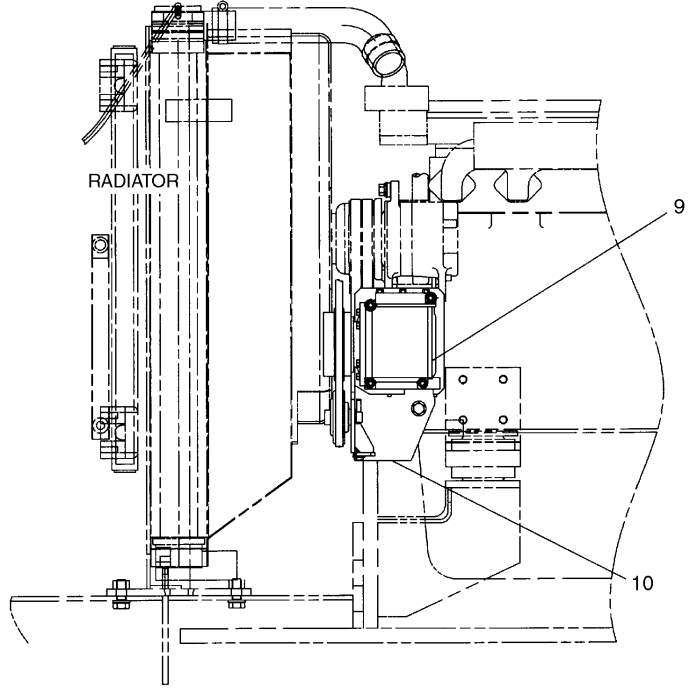
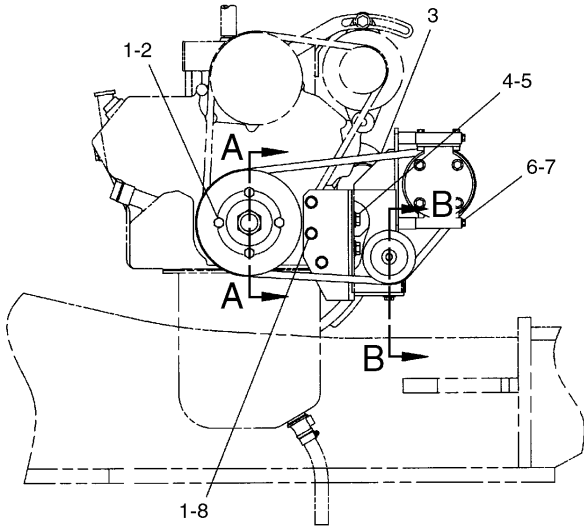


H86479E 07

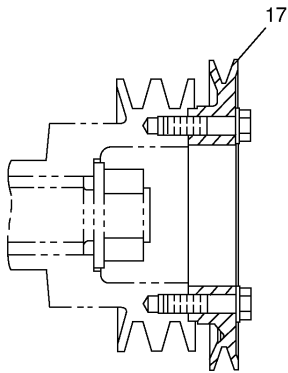
**161-3770 AIR CONDITIONER & MOUNTING GP**  
Part of 161-3762-Page547  
161-3780-Page550

# MEMORANDA

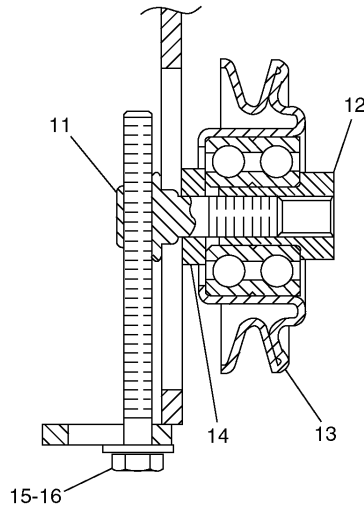
# OPERATOR STATION



LEFT SIDE OF ENGINE



A - A

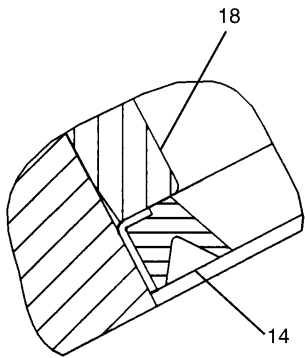
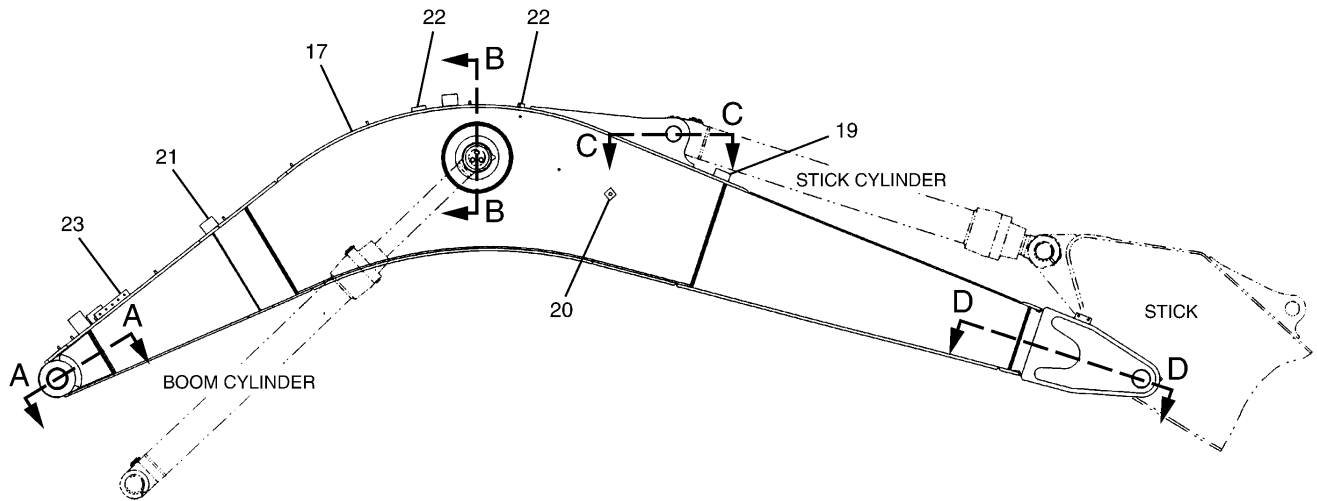


B - B

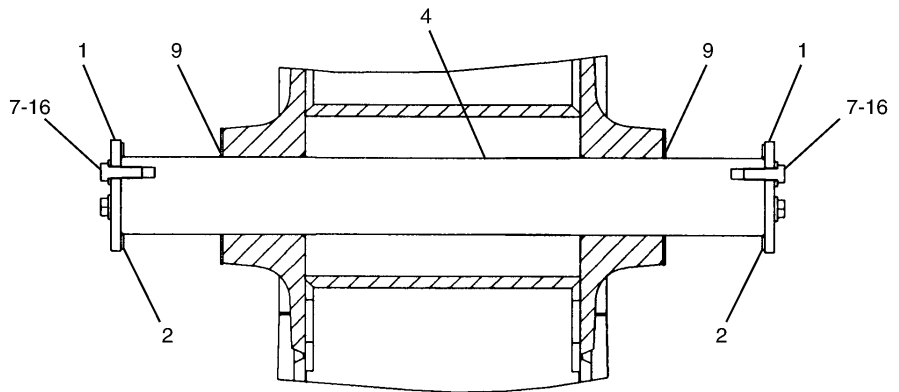
H89231E 02

162-6186 COMPRESSOR GP-REFRIGERANT

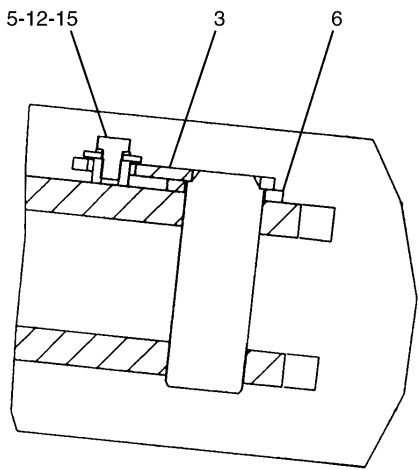
# IMPLEMENTS



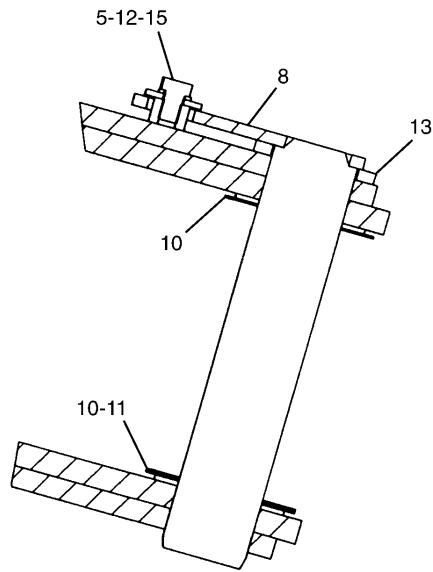
A - A



B - B



C - C

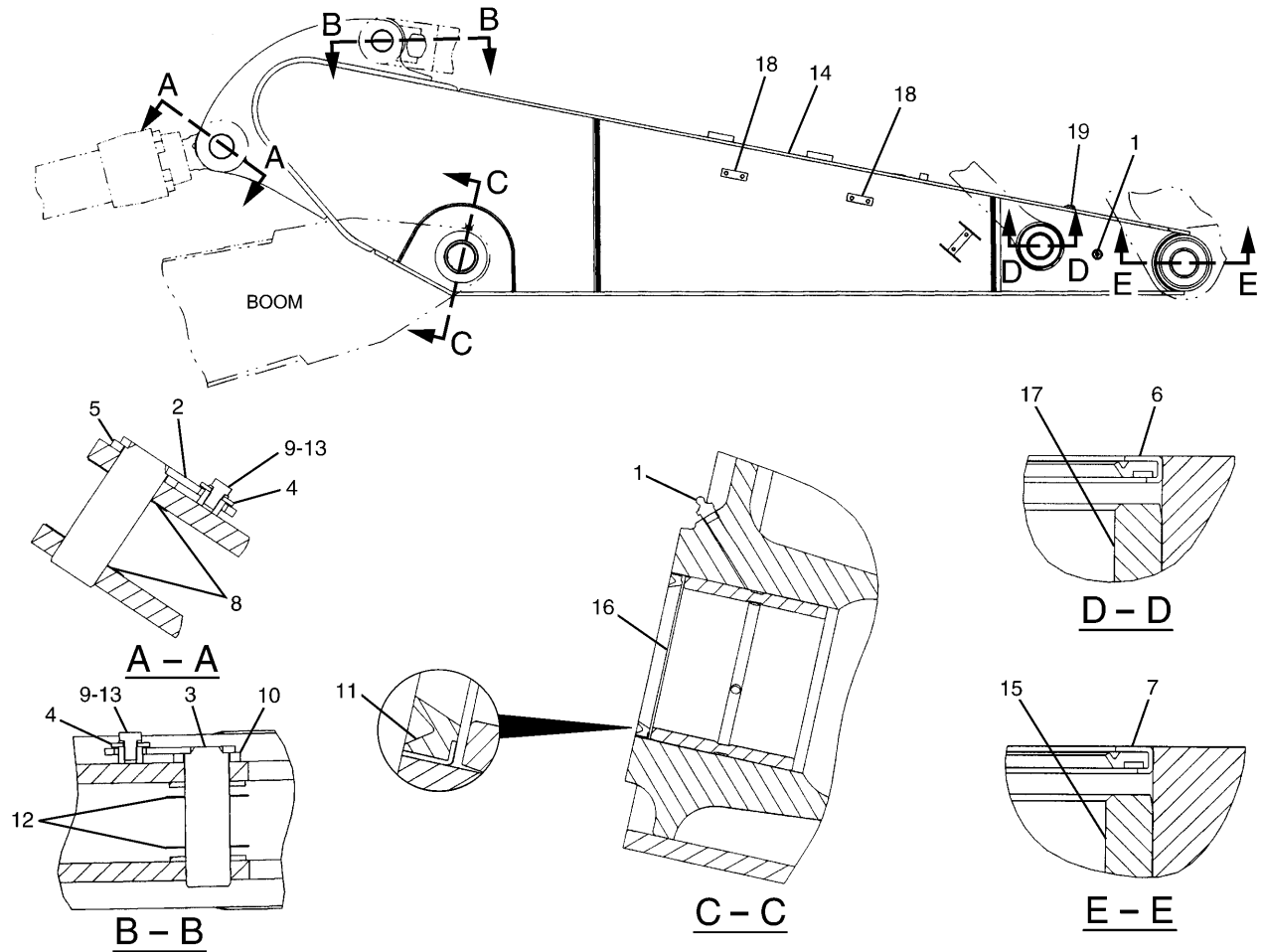


D - D

H79803E 01

**201-2805 BOOM GP**  
 Part of 199-9345-Page570  
 An Attachment

# IMPLEMENTS



NOTE	No.	PART No.	QTY	PART NAME	NOTE	No.	PART No.	QTY	PART NAME
	1	3B-8489	3	FITTING					
	2	4I-4809	1	PIN AS					
	3	4I-4814	1	PIN AS					
	4	093-0349	2	WASHER					
	5	093-0363	1	SPACER					
	6	093-1434	2	SEAL					
	7	096-0854	2	SEAL					
	8	166-1486	2	SHIM (T=2.00mm)					
	9	8T-4780	2	BOLT (L=30mm)					
	10	118-5982	1	SPACER					
	11	166-1495	2	SEAL					
	12	7Y-2496	2	SHIM (T=1.60mm)					
	13	8T-4123	2	WASHER					
	14	210-9734	1	STICK AS					
	15	240-2913	2	BEARING					
	16	163-3744	2	BEARING					
	17	229-1096	2	BEARING					
	18	173-8026	4	PLATE					
	19	7V-2882	1	PLATE AS					

H86259E 00

**197-2285 STICK GP**  
Part of 193-6422-Page281  
An Attachment

# IMPLEMENTS

Consists of :

			Page
1	7Y-0729	SIDECUTTER GP.....	599
5	9J-3167	TIP GP-LONG.....	601
1	165-0871	BUCKET & ADJUSTER GP.....	592

H67421E 01

**165-0958 BUCKET AR**  
An Attachment

Consists of :

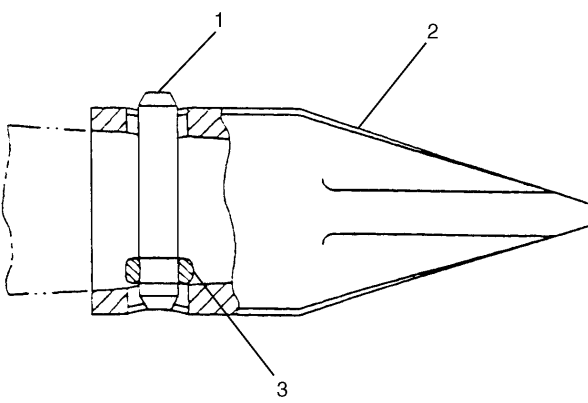
			Page
1	7Y-0729	SIDECUTTER GP.....	599
5	9J-3167	TIP GP-LONG.....	601
1	165-0872	BUCKET & ADJUSTER GP.....	593

H67423E 01

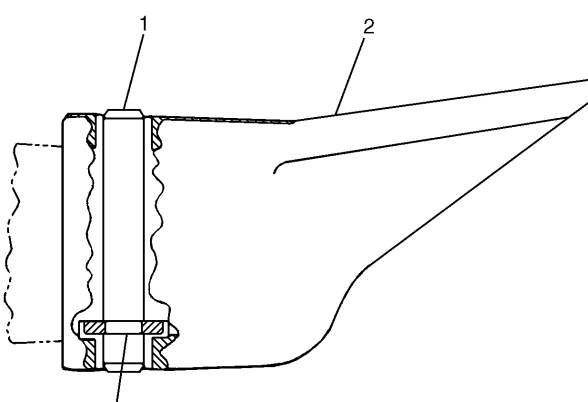
**165-0960 BUCKET AR**  
An Attachment

# MEMORANDA

# IMPLEMENTS

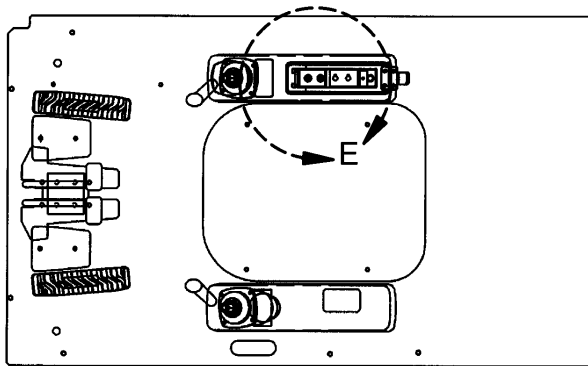
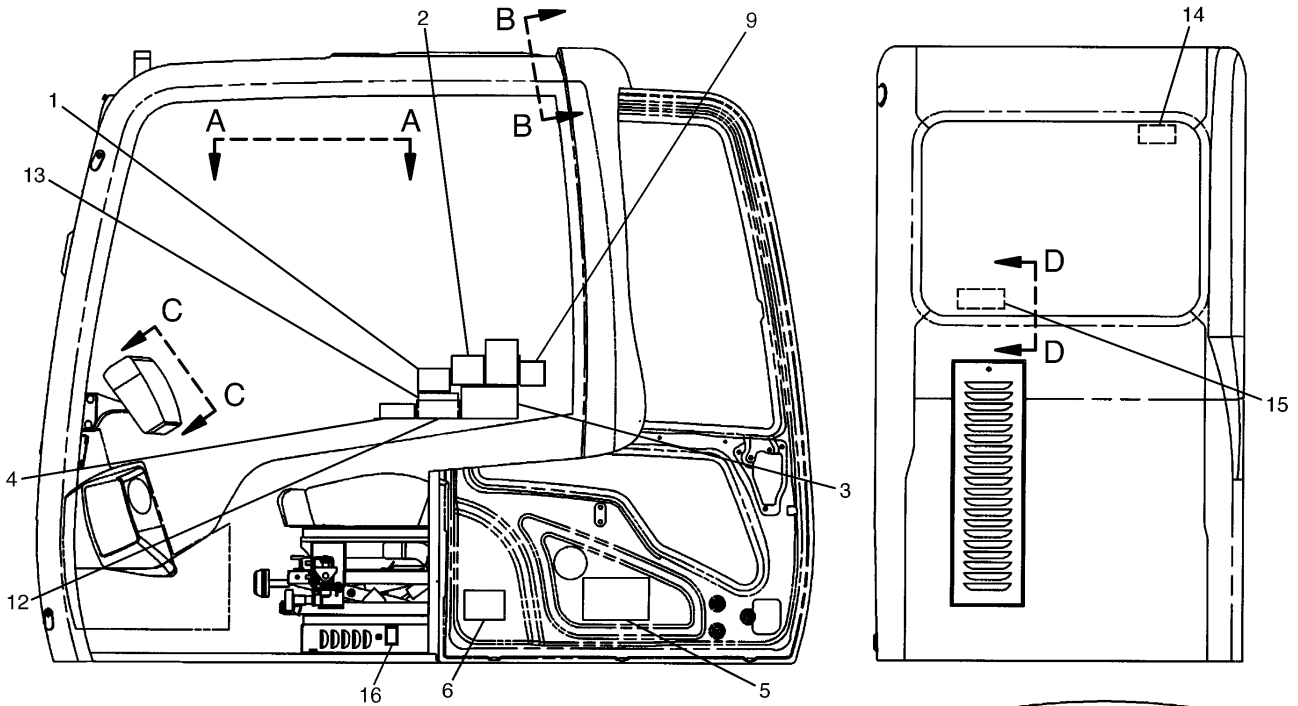
	NOTE	No.	PART No.	QTY	PART NAME
 <p style="text-align: center;">TOP VIEW</p>		1	114-0358	1	PIN
		2	9W-2359	1	TIP
		3	114-0359	1	RETAINER AS
	H53785E 03				

**9W-6472 TIP GP**  
 Sharp Center  
 Adapter Size J350  
 An Attachment

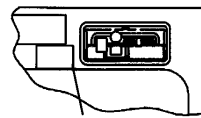
	NOTE	No.	PART No.	QTY	PART NAME
 <p style="text-align: center;">TOP VIEW</p>		1	114-0358	1	PIN
		2	9W-2358	1	TIP
		3	114-0359	1	RETAINER AS
	H53786E 03				

**9W-6473 TIP GP**  
 Sharp Corner  
 Adapter Size J350  
 An Attachment

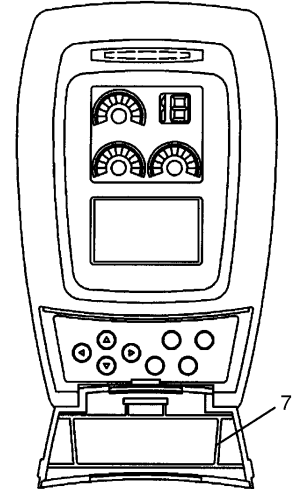
# SERVICE EQUIPMENT AND SUPPLIES



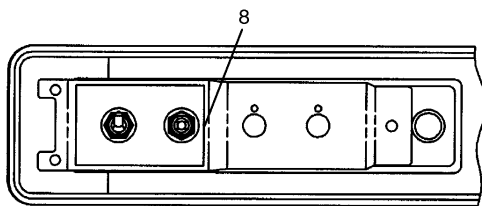
A - A



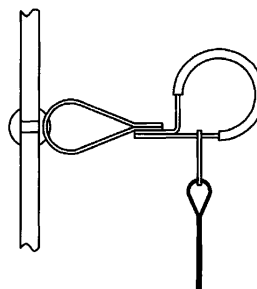
B - B



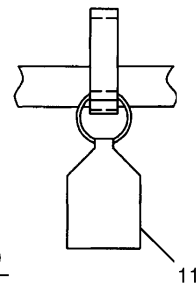
C - C



E



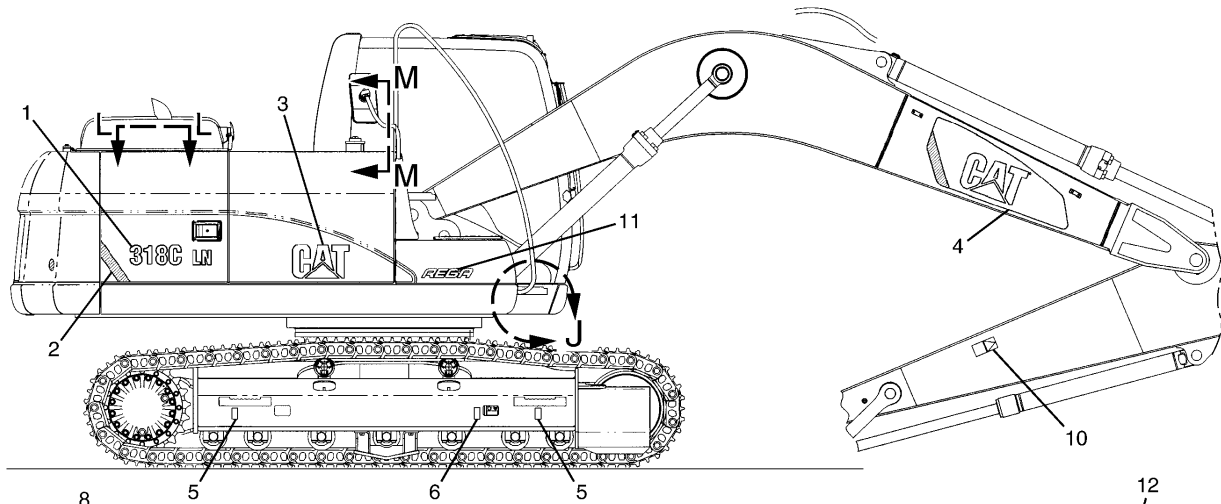
D - D



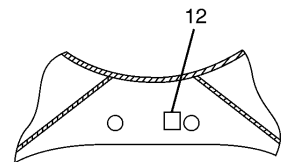
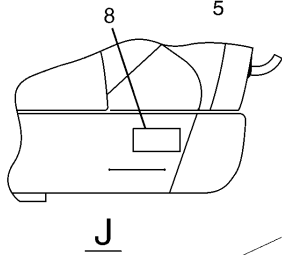
H87955E 07

211-6211 PLATE & FILM GP (3/3)  
S/N CWP 1-00180

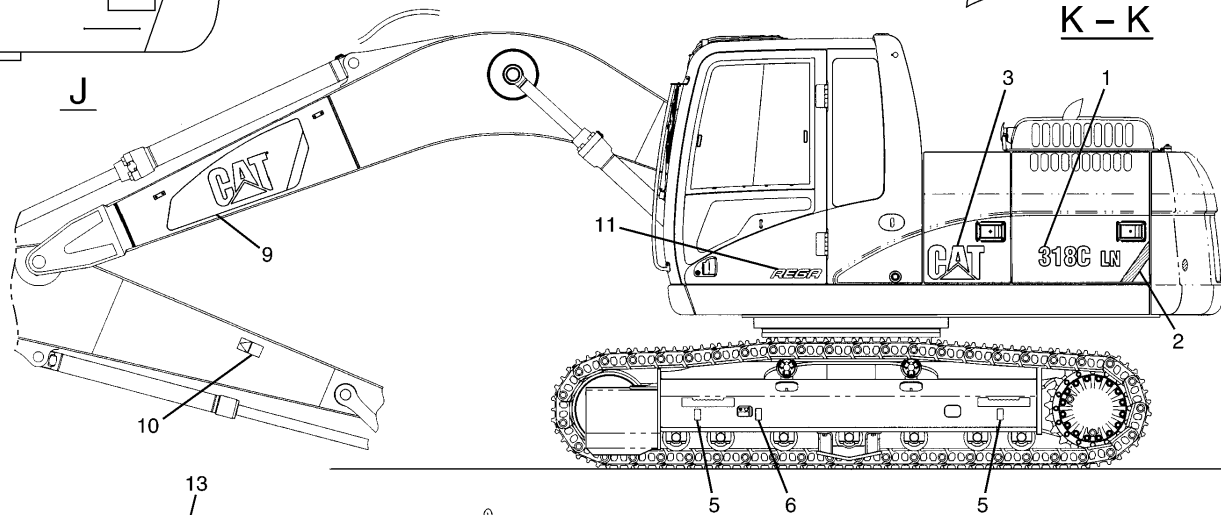
# SERVICE EQUIPMENT AND SUPPLIES



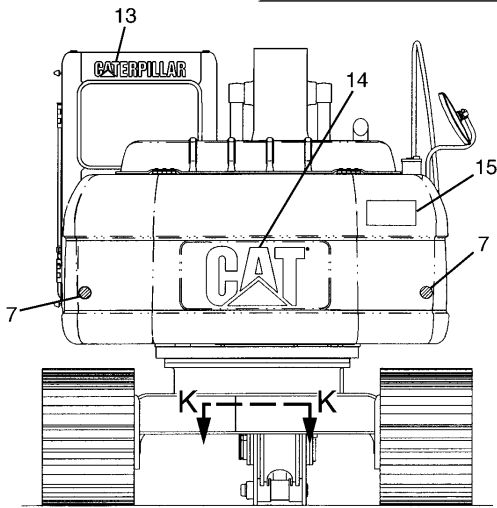
RIGHT SIDE VIEW



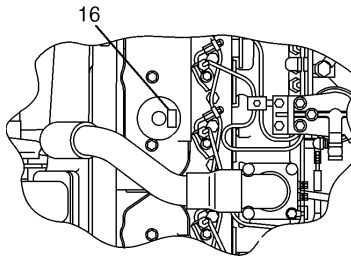
K - K



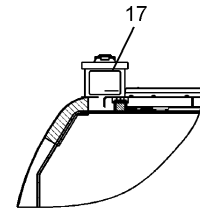
LEFT SIDE VIEW



REAR VIEW



L - L



M - M

H98025E 00

301-2500 PLATE & FILM GP (2/3)  
S/N CWP (T07.03)-Up



## PART NUMBER INDEX

Part.No	Page	Part.No	Page	Part.No	Page
51-7578 .....	43	51-7659 .....	25	51-7784 .....	19
51-7583 .....	15	51-7660 .....	28	51-7785 .....	19
51-7586 .....	52	51-7661 .....	28	51-7786 .....	19
51-7587 .....	52	51-7666 .....	29	51-7787 .....	19
	52.01	51-7667 .....	23	51-7788 .....	19
51-7588 .....	19		23.01	51-7789 .....	19
51-7589 .....	52	51-7668 .....	23	51-7794 .....	23
	52.01		23.01		23.01
	53	51-7673 .....	26	51-7795 .....	23
51-7590 .....	17	51-7674 .....	21		23.01
51-7595 .....	44	51-7677 .....	55	51-7796 .....	23
51-7599 .....	144	51-7678 .....	55		23.01
51-7601 .....	56	51-7679 .....	54	51-7831 .....	63
51-7602 .....	52	51-7683 .....	25		67.02
	52.01	51-7686 .....	25	51-7952 .....	13
51-7603 .....	19	51-7689 .....	36		52
51-7607 .....	28	51-7690 .....	45	51-7978 .....	19
51-7610 .....	25	51-7691 .....	45	51-7981 .....	52
51-7611 .....	26	51-7696 .....	42		52.01
51-7622 .....	17	51-7697 .....	42	51-8001 .....	20
51-7623 .....	36	51-7699 .....	43	51-8009 .....	19
51-7624 .....	17	51-7718 .....	15	51-8010 .....	43
51-7625 .....	17	51-7719 .....	17	51-8012 .....	15
51-7626 .....	20	51-7720 .....	17	51-8021 .....	55
51-7630 .....	17	51-7721 .....	17	51-8022 .....	55
51-7631 .....	17	51-7722 .....	17	51-8023 .....	55
51-7632 .....	25	51-7723 .....	22	51-8026 .....	35
51-7633 .....	54	51-7724 .....	19	51-8040 .....	54
	56	51-7725 .....	32	51-8056 .....	43
51-7637 .....	23	51-7726 .....	32	51-8058 .....	36
	23.01	51-7730 .....	17		61
51-7640 .....	31	51-7731 .....	17		61.02
51-7642 .....	31	51-7735 .....	43	51-8060 .....	36
51-7643 .....	31	51-7739 .....	17	51-8066 .....	35
51-7644 .....	31	51-7740 .....	17	51-8067 .....	29
51-7645 .....	32	51-7742 .....	56	51-8070 .....	61
51-7646 .....	43	51-7743 .....	61		61.02
51-7650 .....	22		61.02	51-8072 .....	151
51-7652 .....	19	51-7748 .....	52	51-8073 .....	151
51-7654 .....	19		52.01	51-8074 .....	151
51-7655 .....	43	51-7750 .....	30.01	51-8075 .....	151
51-7656 .....	25	51-7770 .....	12	51-8076 .....	151
51-7657 .....	25		13.01	51-8077 .....	151
51-7658 .....	25		36	51-8078 .....	151

## PART NUMBER INDEX

Part.No	Page	Part.No	Page	Part.No	Page
	605		519		269
8L-2779 . . . . .	459.02		535		269.01
	460		549	8T-3957 . . . . .	305
8M-2770 . . . . .	227		561		345
	229	8T-0342 . . . . .	287		349
	229.02		289		353
8M-2772 . . . . .	587		291		363
8M-2773 . . . . .	557	8T-0343 . . . . .	270	8T-3998 . . . . .	436.01
8N-1725 . . . . .	88		449	8T-4121 . . . . .	35
8S-0934 . . . . .	544	8T-0360 . . . . .	201		39
	544.01	8T-0362 . . . . .	201		41
8S-4724 . . . . .	544	8T-0380 . . . . .	599		44
	544.01	8T-1158 . . . . .	449		47
8T-0075 . . . . .	317	8T-1159 . . . . .	217		47.02
	319.02		589.01		51
8T-0114 . . . . .	392	8T-1160 . . . . .	268		61
	393		269		61.02
	395	8T-1447 . . . . .	255		69
8T-0164 . . . . .	589.01		265		70
8T-0273 . . . . .	227		266.01		70.01
	229	8T-1686 . . . . .	319		70.02
	229.02		319.04		75
8T-0286 . . . . .	79	8T-1687 . . . . .	317		77
	79.06		319.02		79
	549	8T-1905 . . . . .	317		79.02
	561		319.02		79.04
8T-0288 . . . . .	428		325		79.06
	432		327		91
	451		331		93
8T-0328 . . . . .	73		333		93.02
	73.02		335		93.04
	73.04		335.02		131
	79		339.02		135
	79.06		361		135.02
	93	8T-2223 . . . . .	589.01		137
	93.02	8T-3008 . . . . .	435.02		137.02
	93.04	8T-3338 . . . . .	237		157
	121	8T-3647 . . . . .	331		159
	121.02		333		161.02
	144		339.02		177
	180		557		179.04
	181.01		565		201
	517	8T-3653 . . . . .	268		227
	518		268.01		229

## PART NUMBER INDEX

Part.No	Page	Part.No	Page	Part.No	Page
	67.02		67.04	085-9838 . . . . .	63
085-9231 . . . . .	63	085-9269 . . . . .	65		67.02
	67.02		67.04	085-9865 . . . . .	65
085-9232 . . . . .	63	085-9271 . . . . .	65		67.04
	67.02		67.04	085-9882 . . . . .	65
085-9233 . . . . .	63	085-9275 . . . . .	57		67.04
	67.02		57.01	085-9883 . . . . .	65
085-9234 . . . . .	63	085-9310 . . . . .	224		67.04
	67.02		225	085-9884 . . . . .	65
085-9235 . . . . .	63	085-9429 . . . . .	151		67.04
	67.02	085-9492 . . . . .	569	085-9885 . . . . .	65
085-9236 . . . . .	63	085-9513 . . . . .	21		67.04
	67.02	085-9645 . . . . .	65	085-9886 . . . . .	65
085-9237 . . . . .	63		67.04		67.04
	67.02	085-9652 . . . . .	65	085-9887 . . . . .	65
085-9238 . . . . .	63		67.04		67.04
	67.02	085-9653 . . . . .	65	085-9888 . . . . .	63
085-9239 . . . . .	63		67.04		67
	67.02	085-9655 . . . . .	65		67.02
085-9240 . . . . .	63		67.04		67.06
	67.02	085-9658 . . . . .	65	085-9899 . . . . .	67
085-9241 . . . . .	63		67.04		67.06
	67.02	085-9659 . . . . .	63	085-9906 . . . . .	65
085-9242 . . . . .	63		67.02		67.04
	67.02	085-9677 . . . . .	65	085-9909 . . . . .	65
085-9243 . . . . .	63		67.04		67.04
	67.02	085-9678 . . . . .	65	085-9914 . . . . .	65
085-9244 . . . . .	63		67.04		67.04
	67.02	085-9679 . . . . .	65	085-9936 . . . . .	65
085-9245 . . . . .	63		67.04		67.04
	67.02	085-9680 . . . . .	65	086-0255 . . . . .	255
085-9246 . . . . .	63		67.04		266.01
	67.02	085-9682 . . . . .	63	086-0321 . . . . .	598
085-9247 . . . . .	63		67.02	086-0322 . . . . .	598
	67.02	085-9683 . . . . .	63	086-0950 . . . . .	557
085-9258 . . . . .	63		67.02	086-1088 . . . . .	265
	67.02	085-9684 . . . . .	63	086-1345 . . . . .	259
085-9259 . . . . .	63		67.02	086-1346 . . . . .	259
	67.02	085-9685 . . . . .	63	086-1781 . . . . .	73
085-9261 . . . . .	65		67.02		73.02
	67.04	085-9686 . . . . .	63		73.04
085-9265 . . . . .	65		67.02	086-2746 . . . . .	268
	67.04	085-9832 . . . . .	63		269
085-9267 . . . . .	65		67.02		270

## PART NUMBER INDEX

Part.No	Page	Part.No	Page	Part.No	Page
	535		126		467
119-5360 . . . . .	437	121-1159 . . . . .	124	123-2431 . . . . .	467
119-5362 . . . . .	437		126	123-2485 . . . . .	407
119-5364 . . . . .	437	121-1173 . . . . .	124		409.06
119-5365 . . . . .	437		126	123-2552 . . . . .	467
119-5388 . . . . .	449	121-1459 . . . . .	455	123-4750 . . . . .	361
119-5389 . . . . .	449	121-1491 . . . . .	407	123-5349 . . . . .	587
119-5391 . . . . .	449		409.06	124-0986 . . . . .	75
119-5392 . . . . .	449		427		79.02
119-5398 . . . . .	456		427.04	124-1034 . . . . .	272
	457		427.06	124-1574 . . . . .	41
119-9947 . . . . .	470		428	124-3931 . . . . .	551
120-5054 . . . . .	621		431	124-3940 . . . . .	479
120-5107 . . . . .	611		432	124-3953 . . . . .	503
	615.02	121-1558 . . . . .	379	124-3966 . . . . .	511
	615.08	121-1611 . . . . .	255	124-4003 . . . . .	108
120-7170 . . . . .	214		265	124-4009 . . . . .	388
120-7171 . . . . .	215		266.01		389
120-7215 . . . . .	204	121-1865 . . . . .	393	124-4010 . . . . .	386
120-7226 . . . . .	587		395		387
120-7724 . . . . .	116	121-6391 . . . . .	317	124-7346 . . . . .	471
120-9027 . . . . .	537		319.02		471.01
121-0987 . . . . .	131	122-4120 . . . . .	177		472
121-1022 . . . . .	95		179.04		472.01
	97	122-5076 . . . . .	212	125-1302 . . . . .	91
	99	122-5114 . . . . .	379		93
	101	122-5253 . . . . .	211		93.02
	101.02		211.01		103
	101.04	122-5318 . . . . .	375	125-2922 . . . . .	63
	101.06	122-9608 . . . . .	391		67.02
	101.08	122-9609 . . . . .	391	125-2923 . . . . .	63
	101.09	122-9610 . . . . .	391		67.02
121-1023 . . . . .	91	122-9611 . . . . .	392	125-2924 . . . . .	63
	93		395		67.02
	93.02	123-2003 . . . . .	246	125-2925 . . . . .	63
	93.04		248		67.02
121-1029 . . . . .	73		251	125-2928 . . . . .	63
	73.02	123-2008 . . . . .	379		67.02
	73.04	123-2423 . . . . .	466	125-2930 . . . . .	63
121-1156 . . . . .	124	123-2430 . . . . .	317		67.02
	126		319.02	125-2931 . . . . .	63
121-1157 . . . . .	124		329		67.02
	126		331	125-2932 . . . . .	63
121-1158 . . . . .	124		339.02		67.02

## PART NUMBER INDEX

Part.No	Page	Part.No	Page	Part.No	Page
167-7043	538	168-2982	596		193.02
167-7050	386	168-2983	596	170-2980	193
	387	168-2985	593		193.02
167-7051	387		595	170-2982	193
	388	168-2998	591		193.02
167-7052	386	168-2999	593	170-2983	193
	389		596		193.02
167-7055	526	168-3008	592	170-2984	193
167-7062	511	168-3009	592		193.02
167-7074	511		594	170-2986	195
167-7079	511	168-3010	594	170-3015	175
167-7080	536		596		179.02
	537	168-3015	596	170-6821	154
167-7083	549	168-3020	594	170-6827	124
	561		597		126
167-7110	506	168-5057	55		129
167-7114	506	168-6761	209		513
167-7118	554		209.01	170-6828	108
167-7119	554		210		115
167-7141	521		210.01	170-6829	115
167-7263	309	168-8451	171		116
	312		171.02	170-6830	115
	617	168-9666	343		116
167-7270	611		347	170-6887	91
	615.02		351		93
	615.08		355	170-6888	91
167-7272	613	168-9759	317		93
168-0582	35		319.02		93.02
168-0765	465	168-9760	341		93.04
168-0794	445		341.02	170-6890	95
	447	168-9761	341		99
168-1541	193.02		341.02		101
168-2628	588	168-9762	341		101.02
	588.01		341.02		101.04
	589	169-7580	606		101.06
	598.01	169-7582	606		101.08
168-2629	588		607	170-6891	95
	588.01	169-7659	611		99
	589		615.02		101
	598.01		615.08		101.02
168-2967	591	169-7723	184		101.04
	593		606		101.06
168-2969	592	170-2602	189		101.08
	595	170-2755	193	170-6929	75

## PART NUMBER INDEX

Part.No	Page	Part.No	Page	Part.No	Page
195-8368	61		28		585
	61.02	196-7973	28	197-2282	281
195-8369	61	196-7975	43		290
	61.02	196-8009	50	197-2283	296
195-8372	61	196-8010	50	197-2284	302
	61.02	196-8125	65	197-2285	281
195-8893	68		67.04		586
195-8894	143	196-8186	41	197-2317	285
195-8901	69	196-8187	41		303.02
195-9343	221	196-8188	41	197-2318	285
	222	196-8191	35		303.02
196-0711	396	196-8192	35	197-4276	108
196-1420	506	196-8200	41		112
196-1422	506	196-8201	41	197-4277	112
	507	196-8219	59		113
196-1423	505	196-8220	59	197-4278	112
196-1427	471	196-8227	35		114
	471.01	196-8228	35	197-4330	91
	472	196-8246	231		93
	472.01	197-0196	427		93.02
	505		427.04		93.04
196-1565	534		427.06	197-4400	74
196-1569	523	197-0199	427		76
	525		427.04		78
196-1571	523		427.06		79.01
	525	197-0273	427		79.03
196-1572	523		427.04		79.05
	525		427.06	197-4402	156
196-1590	514	197-0318	425		570
196-1599	525	197-0393	121	197-4404	134
196-1603	203	197-0758	435.02		135.01
196-1626	557	197-2271	280		309
	565		282		310
196-1632	549	197-2272	284	197-4412	77
196-1668	507	197-2273	298		90
196-1669	507	197-2274	280	197-4414	79
196-1675	487		286		79.06
196-1687	507	197-2275	292	197-4427	75
196-1703	537	197-2276	300		79.02
196-7961	47.02	197-2277	280		88
	48.01		584	197-4428	75
196-7970	47.02	197-2279	294		79.02
196-7972	12	197-2280	301		89
	13.01	197-2281	281	197-4447	157

CLICK HERE TO **DOWNLOAD** THE COMPLETE MANUAL

- Thank you very much for reading the preview of the manual.
- You can download the complete manual from: [www.heydownloads.com](http://www.heydownloads.com) by clicking the link below



- Please note: If there is no response to CLICKING the link, please download this PDF first and then click on it.

CLICK HERE TO **DOWNLOAD** THE COMPLETE MANUAL