

Parts Manual



See "General Information"
for New Parts Manual
Features.

3056E Industrial Engine

3561-Up (Engine)

This Parts Manual is also Available in PDF Format on Compact Disk
(CD-ROM)- Caterpillar Form No. SERP3643

CLICK HERE TO **DOWNLOAD** THE COMPLETE MANUAL

- Thank you very much for reading the preview of the manual.
- You can download the complete manual from: www.heydownloads.com by clicking the link below



- Please note: If there is no response to CLICKING the link, please download this PDF first and then click on it.

CLICK HERE TO **DOWNLOAD** THE COMPLETE MANUAL

MAINTENANCE PARTS

| DESCRIPTION | PART NUMBER | QTY | WHERE USED | PAGE |
|---|----------------|-----|--------------------------|------|
| | | 1 | COVER GP-VALVE MECHANISM | 135 |
| | | 1 | COVER GP-VALVE MECHANISM | 137 |
| | | 1 | COVER GP-VALVE MECHANISM | 139 |
| | | 1 | COVER GP-VALVE MECHANISM | 141 |
| | | 1 | COVER GP-VALVE MECHANISM | 153 |
| | 136-3608 | 1 | COVER GP-VALVE MECHANISM | 97 |
| | | 1 | COVER GP-VALVE MECHANISM | 99 |
| | | 1 | COVER GP-VALVE MECHANISM | 101 |
| | | 1 | COVER GP-VALVE MECHANISM | 103 |
| | | 1 | COVER GP-VALVE MECHANISM | 105 |
| | | 1 | COVER GP-VALVE MECHANISM | 107 |
| | | 1 | COVER GP-VALVE MECHANISM | 109 |
| | | 1 | COVER GP-VALVE MECHANISM | 111 |
| | | 1 | COVER GP-VALVE MECHANISM | 113 |
| | | 1 | COVER GP-VALVE MECHANISM | 115 |
| | | 1 | COVER GP-VALVE MECHANISM | 117 |
| | | 1 | COVER GP-VALVE MECHANISM | 125 |
| | | 1 | COVER GP-VALVE MECHANISM | 129 |
| | | 1 | COVER GP-VALVE MECHANISM | 131 |
| | | 1 | COVER GP-VALVE MECHANISM | 133 |
| | | 1 | COVER GP-VALVE MECHANISM | 137 |
| | | 1 | COVER GP-VALVE MECHANISM | 143 |
| | | 1 | COVER GP-VALVE MECHANISM | 145 |
| | | 1 | COVER GP-VALVE MECHANISM | 147 |
| | | 1 | COVER GP-VALVE MECHANISM | 149 |
| | | 1 | COVER GP-VALVE MECHANISM | 151 |
| | | 1 | COVER GP-VALVE MECHANISM | 153 |
| | 130-9888 | 1 | COVER GP-VALVE MECHANISM | 89 |
| | | 1 | COVER GP-VALVE MECHANISM | 95 |
| | | 1 | COVER GP-VALVE MECHANISM | 83 |
| FILTER-BREATHER (CLOSED CIRCUIT CRANKCASE) | 229-3555 | 1 | COVER GP-VALVE MECHANISM | 87 |
| | | 1 | COVER GP-VALVE MECHANISM | 89 |
| | | 1 | COVER GP-VALVE MECHANISM | 91 |
| | | 1 | COVER GP-VALVE MECHANISM | 93 |
| | | 1 | COVER GP-VALVE MECHANISM | 95 |
| | | 1 | COVER GP-VALVE MECHANISM | 99 |
| | | 1 | COVER GP-VALVE MECHANISM | 101 |
| | | 1 | COVER GP-VALVE MECHANISM | 103 |
| | | 1 | COVER GP-VALVE MECHANISM | 105 |
| | | 1 | COVER GP-VALVE MECHANISM | 107 |
| | | 1 | COVER GP-VALVE MECHANISM | 109 |
| | | 1 | COVER GP-VALVE MECHANISM | 111 |
| | | 1 | COVER GP-VALVE MECHANISM | 113 |
| | | 1 | COVER GP-VALVE MECHANISM | 115 |
| | | 1 | COVER GP-VALVE MECHANISM | 117 |
| | | 1 | COVER GP-VALVE MECHANISM | 121 |
| | | 1 | COVER GP-VALVE MECHANISM | 123 |
| | | 1 | COVER GP-VALVE MECHANISM | 129 |
| | | 1 | COVER GP-VALVE MECHANISM | 131 |
| | | 1 | COVER GP-VALVE MECHANISM | 133 |
| | | 1 | COVER GP-VALVE MECHANISM | 143 |
| | | 1 | COVER GP-VALVE MECHANISM | 145 |
| | | 1 | COVER GP-VALVE MECHANISM | 147 |

INDEX

| Name | Page | Name | Page |
|---|------|-----------------------------------|------|
| HOSE (LOWER FUMES DISPOSAL) | 87 | | 79 |
| | 93 | KIT-WATER PUMP | 329 |
| | 95 | | 331 |
| HOSE-RADIATOR (LOWER) | 337 | | 333 |
| | 341 | | |
| | 345 | L | |
| | 349 | LIFTING GP-ENGINE | 216 |
| | 353 | | 217 |
| | 357 | LINES GP-FUEL FILTER | 405 |
| HOSE-RADIATOR (UPPER) | 337 | | |
| | 341 | M | |
| | 345 | MODULE GP-DISPLAY-MESSENGER | 499 |
| | 349 | MOUNTING GP-ALTERNATOR | 218 |
| | 353 | MOUNTING GP-ENGINE | 219 |
| | 357 | | 220 |
| HOSE (UPPER FUMES DISPOSAL) | 87 | | 221 |
| | 93 | | 222 |
| | 95 | | 223 |
| HOUSING GP-FLYWHEEL | 196 | | 224 |
| | 197 | | 225 |
| | 198 | MOUNTING GP-FAN | 328 |
| | 199 | MOUNTING GP-FAN DRIVE | 226 |
| | 200 | | 227 |
| | 201 | | 228 |
| | 202 | | |
| | 203 | P | |
| HOUSING GP-FRONT | 204 | PAN GP-OIL | 229 |
| | 206 | | 231 |
| | 208 | | 233 |
| | 210 | | 235 |
| | 212 | | 237 |
| | 214 | | 239 |
| | | | 241 |
| I | | | 243 |
| INDICATOR AS-AIR FILTER CHANGE | 362 | | 245 |
| | | | 247 |
| | | | 249 |
| K | | | 251 |
| KEY (IGNITION) | 463 | | 253 |
| KIT-BOWL (WATER SEPARATOR) | 439 | | 255 |
| KIT-HOSE (REGULATOR HOUSING) | 333 | | 257 |
| KIT-REPAIR (AIR COMPRESSOR RING) | 71 | | 259 |
| | 73 | | 261 |
| | 79 | | 263 |
| KIT-REPAIR (AIR COMPRESSOR VALVE) | 71 | | 265 |
| | 73 | PISTON & ROD GP | 266 |
| | 79 | | 229 |
| KIT-REPAIR (FRONT COVER, TIMING GEAR) ... | 204 | PLUG-DRAIN (ENGINE OIL) | 231 |
| KIT-REPAIR (OIL COOLER) | 313 | | 233 |
| | 315 | | 235 |
| | 317 | | 237 |
| | 319 | | 239 |
| KIT-SEAL (COMPRESSOR) (AIR) | 71 | | |
| KIT-SEAL (COMPRESSOR) (AIR) | 73 | | |

ENGINE ARRANGEMENT

207-1091 ENGINE AR-PRIMARY

129 BRAKE KW (174 BHP) AT 2000 RPM

SMCS-1000

i02128453

| NOTE | PART NUMBER | QTY | PART NAME | | | | | | SEE PAGE |
|------|-------------|-----|-------------------------------|---|---|---|---|-------------------|----------|
| | | | 1 | 2 | 3 | 4 | 5 | 6 (PRODUCT LEVEL) | |
| Y | 234-5966 | 1 | ALTERNATOR GP-CHARGING | | | | | | 448 |
| Y | 228-7387 | 1 | CONNECTION GP-WATER | | | | | | 308 |
| Y | 235-6342 | 1 | COOLER GP-FLTR BASE & ENG OIL | | | | | | 319 |
| Y | 221-6858 | 1 | COVER GP-ENGINE | | | | | | 82 |
| Y | 233-2633 | 1 | COVER GP-VALVE MECHANISM | | | | | | 99 |
| Y | 236-1042 | 1 | ELBOW GP-AIR INLET | | | | | | 369 |
| | 236-1035 | 1 | ELECTRONICS GP-ENGINE RATINGS | | | | | | |
| Y | 228-6941 | 1 | ENGINE AR-CORE | | | | | | 1 |
| Y | 228-7418 | 1 | FASTENER GP-CYLINDER HEAD | | | | | | 185 |
| Y | 216-9683 | 1 | FILTER GP-ENGINE OIL | | | | | | 287 |
| Y | 235-6347 | 1 | FILTER GP-FUEL | | | | | | 403 |
| Y | 234-2653 | 1 | FLYWHEEL GP | | | | | | 192 |
| Y | 234-2651 | 1 | HOUSING GP-FLYWHEEL | | | | | | 199 |
| Y | 221-6835 | 1 | HOUSING GP-FRONT | | | | | | 204 |
| Y | 228-7462 | 1 | LIFTING GP-ENGINE | | | | | | 217 |
| Y | 147-5496 | 1 | MOUNTING GP-ENGINE | | | | | | 219 |
| Y | 186-3660 | 1 | MOUNTING GP-FAN DRIVE | | | | | | 227 |
| Y | 236-1040 | 1 | PAN GP-OIL | | | | | | 253 |
| Y | 239-1349 | 1 | PLUG GP-CYLINDER BLOCK | | | | | | 268 |
| Y | 233-2765 | 1 | PLUG GP-ENGINE | | | | | | 270 |
| Y | 236-6604 | 1 | PLUG GP-ENGINE | | | | | | 273 |
| Y | 233-2684 | 1 | PULLEY GP-CRANKSHAFT | | | | | | 282 |
| Y | 234-6106 | 1 | PUMP GP-ENGINE OIL | | | | | | 292 |
| Y | 235-6331 | 1 | PUMP GP-FUEL INJECTION | | | | | | 413 |
| Y | 219-2455 | 1 | PUMP GP-FUEL TRANSFER | | | | | | 422 |
| Y | 221-5369 | 1 | PUMP GP-WATER | | | | | | 331 |
| Y | 236-1047 | 1 | SEPARATOR GP-WATER | | | | | | 441 |
| Y | 235-6348 | 1 | STARTING AID GP (HEATER) | | | | | | 458 |
| Y | 235-6362 | 1 | STARTING AID GP (LINES) | | | | | | 459 |
| Y | 234-2656 | 1 | STARTING MOTOR GP-ELECTRIC | | | | | | 470 |
| Y | 233-8649 | 1 | TURBOCHARGER GP | | | | | | 385 |
| Y | 228-7487 | 1 | WIRING GP-ENGINE | | | | | | 495 |
| | | | AVAILABLE REPAIR KIT(S): | | | | | | |
| | 216-9612 | 1 | KIT-GASKET (TOP) | | | | | | |
| | 216-9616 | 1 | KIT-GASKET (BOTTOM) | | | | | | |

Y-SEPARATE ILLUSTRATION

ENGINE ARRANGEMENT

207-1138 ENGINE AR-PRIMARY

119 BRAKE KW (158 BHP) AT 2200 RPM

SMCS-1000

i02140952

| NOTE | PART NUMBER | QTY | PART NAME | | | | | | SEE PAGE |
|------|-----------------|-----|-------------------------------|---|---|---|---|-------------------|----------|
| | | | 1 | 2 | 3 | 4 | 5 | 6 (PRODUCT LEVEL) | |
| Y | 233-0653 | 1 | CONNECTION GP-WATER | | | | | | 309 |
| Y | 233-2639 | 1 | COOLER GP-FLTR BASE & ENG OIL | | | | | | 317 |
| Y | 239-8034 | 1 | COVER GP-VALVE MECHANISM | | | | | | 127 |
| | 217-2211 | 1 | CYLINDER BLOCK GP-SHORT | | | | | | |
| Y | 235-8231 | 1 | ELBOW GP-AIR INLET | | | | | | 368 |
| | 244-5462 | 1 | ELECTRONICS GP-ENGINE RATINGS | | | | | | |
| Y | 228-6941 | 1 | ENGINE AR-CORE | | | | | | 1 |
| Y | 236-1823 | 1 | FASTENER GP-ENGINE | | | | | | 186 |
| Y | 216-9683 | 1 | FILTER GP-ENGINE OIL | | | | | | 287 |
| Y | 235-6347 | 1 | FILTER GP-FUEL | | | | | | 403 |
| Y | 237-6365 | 1 | HOUSING GP-FRONT | | | | | | 214 |
| Y | 228-7462 | 1 | LIFTING GP-ENGINE | | | | | | 217 |
| Y | 235-6367 | 1 | LINES GP-FUEL FILTER | | | | | | 405 |
| Y | 235-6343 | 1 | MOUNTING GP-ALTERNATOR | | | | | | 218 |
| Y | 147-5496 | 1 | MOUNTING GP-ENGINE | | | | | | 219 |
| Y | 244-5699 | 1 | MOUNTING GP-FAN DRIVE | | | | | | 228 |
| Y | 236-5516 | 1 | PAN GP-OIL | | | | | | 255 |
| Y | 239-1349 | 1 | PLUG GP-CYLINDER BLOCK | | | | | | 268 |
| Y | 198-8271 | 1 | PLUG GP-ENGINE | | | | | | 269 |
| Y | 236-6604 | 1 | PLUG GP-ENGINE | | | | | | 273 |
| Y | 235-8219 | 1 | PLUG GP-ENGINE | | | | | | 272 |
| Y | 236-1720 | 1 | PULLEY GP-CRANKSHAFT | | | | | | 283 |
| Y | 236-2317 | 1 | PUMP GP-FUEL INJECTION | | | | | | 416 |
| Y | 236-5531 | 1 | PUMP GP-FUEL TRANSFER | | | | | | 431 |
| Y | 233-2744 | 1 | PUMP GP-ENGINE OIL | | | | | | 290 |
| Y | 226-3557 | 1 | PUMP GP-WATER | | | | | | 333 |
| Y | 228-7461 | 1 | STARTING AID GP (HEATER) | | | | | | 457 |
| Y | 236-1838 | 1 | STARTING AID GP (LINES) | | | | | | 460 |
| Y | 244-5600 | 1 | TURBOCHARGER GP | | | | | | 396 |
| Y | 236-5561 | 1 | WIRING GP-ELECTRONIC CONTROL | | | | | | 481 |
| | | | AVAILABLE GASKET KIT(S): | | | | | | |
| | 216-9612 | 1 | KIT-GASKET (TOP) | | | | | | |
| | 236-6930 | 1 | KIT-GASKET (BOTTOM) | | | | | | |

Y-SEPARATE ILLUSTRATION

ENGINE ARRANGEMENT

207-1157 ENGINE AR-PRIMARY

129 BRAKE KW (173 BHP) AT 2000 RPM

SMCS-1000

i02346522

| NOTE | PART NUMBER | QTY | PART NAME | | | | | | SEE PAGE |
|------|-------------|-----|-------------------------------|---|---|---|---|-------------------|----------|
| | | | 1 | 2 | 3 | 4 | 5 | 6 (PRODUCT LEVEL) | |
| Y | 236-7665 | 1 | AIR CLEANER GP | | | | | | 363 |
| Y | 234-5966 | 1 | ALTERNATOR GP-CHARGING | | | | | | 448 |
| Y | 216-8620 | 1 | CAMSHAFT GP | | | | | | 81 |
| Y | 233-0653 | 1 | CONNECTION GP-WATER | | | | | | 309 |
| Y | 235-6342 | 1 | COOLER GP-FLTR BASE & ENG OIL | | | | | | 319 |
| Y | 221-6858 | 1 | COVER GP-ENGINE | | | | | | 82 |
| Y | 228-7371 | 1 | COVER GP-VALVE MECHANISM | | | | | | 97 |
| Y | 216-8316 | 1 | CRANKSHAFT GP | | | | | | 155 |
| Y | 216-8231 | 1 | CYLINDER BLOCK GP | | | | | | 159 |
| Y | 216-8343 | 1 | CYLINDER HEAD GP | | | | | | 163 |
| Y | 237-0955 | 1 | DRIVE GP-FAN | | | | | | 179 |
| Y | 236-1042 | 1 | ELBOW GP-AIR INLET | | | | | | 369 |
| Y | 240-6831 | 1 | FAN GP-SUCTION | | | | | | 326 |
| Y | 216-9683 | 1 | FILTER GP-ENGINE OIL | | | | | | 287 |
| Y | 235-6347 | 1 | FILTER GP-FUEL | | | | | | 403 |
| Y | 234-2653 | 1 | FLYWHEEL GP | | | | | | 192 |
| Y | 217-1499 | 1 | GEAR GP-FRONT | | | | | | 195 |
| Y | 234-2651 | 1 | HOUSING GP-FLYWHEEL | | | | | | 199 |
| Y | 221-6835 | 1 | HOUSING GP-FRONT | | | | | | 204 |
| Y | 228-7462 | 1 | LIFTING GP-ENGINE | | | | | | 217 |
| Y | 271-3497 | 1 | MOUNTING GP-ENGINE | | | | | | 224 |
| Y | 236-1040 | 1 | PAN GP-OIL | | | | | | 253 |
| Y | 216-8324 | 1 | PISTON & ROD GP | | | | | | 265 |
| Y | 233-2765 | 1 | PLUG GP-ENGINE | | | | | | 270 |
| Y | 236-6604 | 1 | PLUG GP-ENGINE | | | | | | 273 |
| Y | 233-2684 | 1 | PULLEY GP-CRANKSHAFT | | | | | | 282 |
| Y | 234-6106 | 1 | PUMP GP-ENGINE OIL | | | | | | 292 |
| Y | 235-6331 | 1 | PUMP GP-FUEL INJECTION | | | | | | 413 |
| Y | 219-2455 | 1 | PUMP GP-FUEL TRANSFER | | | | | | 422 |
| Y | 221-5369 | 1 | PUMP GP-WATER | | | | | | 331 |
| Y | 236-7768 | 1 | RADIATOR GP | | | | | | 337 |
| Y | 236-1047 | 1 | SEPARATOR GP-WATER | | | | | | 441 |
| Y | 235-6348 | 1 | STARTING AID GP (HEATER) | | | | | | 458 |
| Y | 235-6362 | 1 | STARTING AID GP (LINES) | | | | | | 459 |
| Y | 234-2656 | 1 | STARTING MOTOR GP-ELECTRIC | | | | | | 470 |
| Y | 226-3578 | 1 | TURBOCHARGER GP | | | | | | 377 |
| Y | 216-8619 | 1 | VALVE MECHANISM GP | | | | | | 286 |
| Y | 228-7487 | 1 | WIRING GP-ENGINE | | | | | | 495 |
| | 240-5988 | 1 | ELECTRONICS GP-ENGINE RATINGS | | | | | | |
| | | | AVAILABLE GASKET KIT(S): | | | | | | |
| | 216-9612 | 1 | KIT-GASKET (TOP) | | | | | | |
| | 216-9616 | 1 | KIT-GASKET (BOTTOM) | | | | | | |

Y-SEPARATE ILLUSTRATION

ENGINE ARRANGEMENT

228-4648 ENGINE AR-PRIMARY

106 BRAKE KW (142 BHP) AT 2200 RPM

SMCS-1000

i02181650

| NOTE | PART NUMBER | QTY | PART NAME | | | | | | SEE PAGE |
|--------------------------|-------------|-----|-------------------------------|---|---|---|---|-------------------|----------|
| | | | 1 | 2 | 3 | 4 | 5 | 6 (PRODUCT LEVEL) | |
| Y | 233-0653 | 1 | CONNECTION GP-WATER | | | | | | 309 |
| Y | 233-2639 | 1 | COOLER GP-FLTR BASE & ENG OIL | | | | | | 317 |
| Y | 236-1702 | 1 | COVER GP-VALVE MECHANISM | | | | | | 121 |
| Y | 236-1697 | 1 | DRIVE GP-FAN | | | | | | 178 |
| Y | 235-8231 | 1 | ELBOW GP-AIR INLET | | | | | | 368 |
| Y | 228-6941 | 1 | ENGINE AR-CORE | | | | | | 1 |
| Y | 236-1823 | 1 | FASTENER GP-ENGINE | | | | | | 186 |
| Y | 216-9683 | 1 | FILTER GP-ENGINE OIL | | | | | | 287 |
| Y | 235-6347 | 1 | FILTER GP-FUEL | | | | | | 403 |
| Y | 237-6365 | 1 | HOUSING GP-FRONT | | | | | | 214 |
| Y | 228-7462 | 1 | LIFTING GP-ENGINE | | | | | | 217 |
| Y | 235-6367 | 1 | LINES GP-FUEL FILTER | | | | | | 405 |
| Y | 235-6343 | 1 | MOUNTING GP-ALTERNATOR | | | | | | 218 |
| Y | 147-5496 | 1 | MOUNTING GP-ENGINE | | | | | | 219 |
| Y | 236-5516 | 1 | PAN GP-OIL | | | | | | 255 |
| Y | 239-1349 | 1 | PLUG GP-CYLINDER BLOCK | | | | | | 268 |
| Y | 233-2765 | 1 | PLUG GP-ENGINE | | | | | | 270 |
| Y | 236-6604 | 1 | PLUG GP-ENGINE | | | | | | 273 |
| Y | 235-8219 | 1 | PLUG GP-ENGINE | | | | | | 272 |
| Y | 236-1720 | 1 | PULLEY GP-CRANKSHAFT | | | | | | 283 |
| Y | 233-2744 | 1 | PUMP GP-ENGINE OIL | | | | | | 290 |
| Y | 236-2317 | 1 | PUMP GP-FUEL INJECTION | | | | | | 416 |
| Y | 236-5531 | 1 | PUMP GP-FUEL TRANSFER | | | | | | 431 |
| Y | 221-5369 | 1 | PUMP GP-WATER | | | | | | 331 |
| Y | 228-7461 | 1 | STARTING AID GP (HEATER) | | | | | | 457 |
| Y | 236-1838 | 1 | STARTING AID GP (LINES) | | | | | | 460 |
| Y | 236-1819 | 1 | TURBOCHARGER GP | | | | | | 390 |
| Y | 236-5561 | 1 | WIRING GP-ELECTRONIC CONTROL | | | | | | 481 |
| AVAILABLE GASKET KIT(S): | | | | | | | | | |
| | 216-9612 | 1 | KIT-GASKET (TOP) | | | | | | |
| | 236-6930 | 1 | KIT-GASKET (BOTTOM) | | | | | | |

Y-SEPARATE ILLUSTRATION

ENGINE ARRANGEMENT

235 - 1850 ENGINE AR-PRIMARY

129 BRAKE KW (173 BHP) AT 2200 RPM

SMCS - 1000

i01940346

| NOTE | PART NUMBER | QTY | PART NAME | | | | | | SEE PAGE |
|-------------------------|-------------|-----|-------------------------------|---|---|---|---|-------------------|----------|
| | | | 1 | 2 | 3 | 4 | 5 | 6 (PRODUCT LEVEL) | |
| Y | 236-7665 | 1 | AIR CLEANER GP | | | | | | 363 |
| Y | 234-5966 | 1 | ALTERNATOR GP-CHARGING | | | | | | 448 |
| Y | 233-0653 | 1 | CONNECTION GP-WATER | | | | | | 309 |
| Y | 233-2639 | 1 | COOLER GP-FLTR BASE & ENG OIL | | | | | | 317 |
| Y | 240-6020 | 1 | COVER GP-VALVE MECHANISM | | | | | | 135 |
| Y | 240-6024 | 1 | DRIVE GP-ACCESSORY | | | | | | 170 |
| Y | 233-2553 | 1 | DRIVE GP-FAN | | | | | | 174 |
| Y | 236-1042 | 1 | ELBOW GP-AIR INLET | | | | | | 369 |
| | 240-5988 | 1 | ELECTRONICS GP-ENGINE RATINGS | | | | | | |
| Y | 228-6941 | 1 | ENGINE AR-CORE | | | | | | 1 |
| Y | 235-4591 | 1 | FAN GP-SUCTION | | | | | | 324 |
| Y | 216-9683 | 1 | FILTER GP-ENGINE OIL | | | | | | 287 |
| Y | 235-6347 | 1 | FILTER GP-FUEL | | | | | | 403 |
| Y | 234-2653 | 1 | FLYWHEEL GP | | | | | | 192 |
| Y | 234-2651 | 1 | HOUSING GP-FLYWHEEL | | | | | | 199 |
| Y | 221-6835 | 1 | HOUSING GP-FRONT | | | | | | 204 |
| Y | 228-7462 | 1 | LIFTING GP-ENGINE | | | | | | 217 |
| Y | 236-6602 | 1 | MOUNTING GP-ENGINE | | | | | | 222 |
| Y | 240-6019 | 1 | PAN GP-OIL | | | | | | 261 |
| Y | 233-2765 | 1 | PLUG GP-ENGINE | | | | | | 270 |
| Y | 236-6604 | 1 | PLUG GP-ENGINE | | | | | | 273 |
| Y | 226-3523 | 1 | PULLEY GP-CRANKSHAFT | | | | | | 281 |
| Y | 235-6331 | 1 | PUMP GP-FUEL INJECTION | | | | | | 413 |
| Y | 219-2455 | 1 | PUMP GP-FUEL TRANSFER | | | | | | 422 |
| Y | 233-2744 | 1 | PUMP GP-ENGINE OIL | | | | | | 290 |
| Y | 221-5369 | 1 | PUMP GP-WATER | | | | | | 331 |
| Y | 236-7768 | 1 | RADIATOR GP | | | | | | 337 |
| Y | 236-1047 | 1 | SEPARATOR GP-WATER | | | | | | 441 |
| Y | 235-6348 | 1 | STARTING AID GP (HEATER) | | | | | | 458 |
| Y | 235-6362 | 1 | STARTING AID GP (LINES) | | | | | | 459 |
| Y | 234-2656 | 1 | STARTING MOTOR GP-ELECTRIC | | | | | | 470 |
| Y | 226-3578 | 1 | TURBOCHARGER GP | | | | | | 377 |
| Y | 228-7487 | 1 | WIRING GP-ENGINE | | | | | | 495 |
| | | | AVAILABLE REPAIR KIT(S): | | | | | | |
| | 216-9612 | 1 | KIT-GASKET (TOP) | | | | | | |
| | 216-9616 | 1 | KIT-GASKET (BOTTOM) | | | | | | |
| Y-SEPARATE ILLUSTRATION | | | | | | | | | |

ENGINE ARRANGEMENT

257-8385 ENGINE AR-PRIMARY

130 BRAKE KW (173 BHP) AT 2200 RPM

SMCS-1000

i02249263

| NOTE | PART NUMBER | QTY | PART NAME | | | | | | SEE PAGE |
|---------------------|-------------|-----|-----------|---|---|---|---|-------------------|----------|
| | | | 1 | 2 | 3 | 4 | 5 | 6 (PRODUCT LEVEL) | |
| (NO SERVICED PARTS) | | | | | | | | | |

BASIC ENGINE

216-4093 AIR COMPRESSOR GP

S/N: 3561-282

AN ATTACHMENT

SMCS - 1803

i01756055

| NOTE | REF NO | GRAPHIC REF | PART NUMBER | QTY | PART NAME | | | | | | SEE PAGE |
|------|--------|-------------|-----------------|-----|----------------------|---|---|---|---|-------------------|----------|
| | | | | | 1 | 2 | 3 | 4 | 5 | 6 (PRODUCT LEVEL) | |
| | 1 | 1 | 5D-1026 | 4 | CLAMP-HOSE | | | | | | |
| | 2 | 1 | 6I-0217 | 2 | BOLT (M8X1.25X20-MM) | | | | | | |
| | 3 | 1 | 6I-4200 | 1 | BOLT (M10X1.5X16-MM) | | | | | | |
| | 4 | 1 | 035-8017 | 2 | UNION | | | | | | |
| | 5 | 1 | 067-6045 | 2 | WASHER (5/8-IN) | | | | | | |
| | 6 | 1 | 100-4461 | 1 | BOLT (M10X50-MM) | | | | | | |
| | 7 | 1 | 100-4830 | 1 | BOLT (M10X1.5X20-MM) | | | | | | |
| | 8 | 1 | 113-4616 | 2 | CONNECTOR | | | | | | |
| | 9 | 1 | 126-3219 | 1 | SEAL-O-RING | | | | | | |
| | 10 | 1 | 166-5255 | 1 | AIR COMPRESSOR GP | | | | | | |
| | 11 | 1 | 166-5262 | 1 | BRACKET | | | | | | |
| | 12 | 1 | 166-5263 | 1 | PIPE AS | | | | | | |
| | 12A | 1 | 105-3154 | 1 | CLIP | | | | | | |
| | 13 | 1 | 166-5264 | 1 | HOSE | | | | | | |
| | 14 | 1 | 198-8262 | 1 | COVER AS | | | | | | |
| | 14A | 1 | 198-8263 | 1 | SEAL-O-RING | | | | | | |
| | 15 | 1 | 209-6824 | 1 | HOSE | | | | | | |
| | 16 | 1 | 209-6825 | 2 | ADAPTER | | | | | | |
| | 17 | 1 | 214-3205 | 1 | SPACER | | | | | | |
| | 18 | 1 | 214-3206 | 1 | GEAR (34-TEETH) | | | | | | |

BASIC ENGINE

236-1807 AIR COMPRESSOR GP

S/N: 356333-UP

SMCS-1803

i02214793

| NOTE | REF NO | GRAPHIC REF | PART NUMBER | QTY | PART NAME | | | | | | SEE PAGE |
|------|--------|-------------|-------------|-----|-------------------------------------|---|---|---|---|-------------------|----------|
| | | | | | 1 | 2 | 3 | 4 | 5 | 6 (PRODUCT LEVEL) | |
| | 1 | 1 | 5D-1026 | 4 | CLAMP-HOSE | | | | | | |
| | 2 | 1 | 6B-0933 | 1 | SPACER (10.31X19.05X6.35-MM THK) | | | | | | |
| | 3 | 1 | 6I-0217 | 2 | BOLT (M8X1.25X20-MM) | | | | | | |
| | 4 | 1 | 6I-0233 | 4 | NUT (M12) | | | | | | |
| | 5 | 1 | 6I-0646 | 1 | BOLT (M10X1.5X14-MM) | | | | | | |
| | 6 | 1 | 6I-4200 | 2 | BOLT (M10X1.5X16-MM) | | | | | | |
| | 7 | 1 | 035-8017 | 2 | UNION | | | | | | |
| C | 8 | 1 | 247-4928 | 2 | WASHER (16.5X20.5X1.6-MM THK) | | | | | | |
| | 9 | 1 | 100-4461 | 1 | BOLT (M10X50-MM) | | | | | | |
| | 10 | 1 | 100-4830 | 1 | BOLT (M10X1.5X20-MM) | | | | | | |
| | 11 | 1 | 113-4616 | 2 | CONNECTOR | | | | | | |
| | 12 | 1 | 124-3815 | 3 | BOLT (M8X16X1.25-MM) | | | | | | |
| | 13 | 1 | 126-3205 | 1 | BRACKET | | | | | | |
| | 14 | 1 | 126-3206 | 1 | HUB | | | | | | |
| | 15 | 1 | 126-3207 | 1 | SEAL-O-RING | | | | | | |
| | 16 | 1 | 126-3208 | 1 | BEARING | | | | | | |
| | 17 | 1 | 126-3210 | 1 | PLATE | | | | | | |
| | 18 | 1 | 126-3211 | 3 | BOLT | | | | | | |
| | 19 | 1 | 126-3212 | 4 | BOLT | | | | | | |
| | 20 | 1 | 126-3216 | 1 | STUD | | | | | | |
| | 21 | 1 | 126-3217 | 1 | STUD | | | | | | |
| | 22 | 1 | 126-3219 | 1 | SEAL-O-RING | | | | | | |
| | 23 | 1 | 166-5262 | 1 | BRACKET | | | | | | |
| | 24 | 1 | 166-5263 | 1 | PIPE AS | | | | | | |
| | 24A | 1 | 105-3154 | 1 | CLIP | | | | | | |
| | 25 | 1 | 166-5264 | 1 | HOSE | | | | | | |
| | 26 | 1 | 209-6817 | 1 | PLATE AS | | | | | | |
| | 26A | 1 | 210-1074 | 1 | SEAL-O-RING | | | | | | |
| | 27 | 1 | 209-6824 | 1 | HOSE | | | | | | |
| | 28 | 1 | 209-6825 | 2 | ADAPTER | | | | | | |
| | 29 | 1 | 214-3203 | 1 | WASHER | | | | | | |
| | 30 | 1 | 214-3204 | 1 | GEAR-IDLER (28-TEETH) | | | | | | |
| | 31 | 1 | 214-3206 | 1 | GEAR (34-TEETH) (COMPRESSOR, DRIVE) | | | | | | |
| | 32 | 1 | 218-4954 | 1 | AIR COMPRESSOR GP | | | | | | |

C-CHANGE FROM PREVIOUS TYPE

BASIC ENGINE

221-7115 COVER GP-VALVE MECHANISM

S/N: 3561-1404

AN ATTACHMENT

SMCS-1107

i02372743

| NOTE | REF NO | GRAPHIC REF | PART NUMBER | QTY | PART NAME | | | | | | SEE PAGE |
|------|--------|-------------|-----------------|-----|--|---|---|---|---|-------------------|----------|
| | | | | | 1 | 2 | 3 | 4 | 5 | 6 (PRODUCT LEVEL) | |
| | 1 | 1 | 2S-3440 | 2 | CLAMP-HOSE | | | | | | |
| | 2 | 1 | 5D-1026 | 2 | CLAMP-HOSE | | | | | | |
| | 3 | 1 | 6I-0217 | 2 | BOLT (M8X1.25X20-MM) | | | | | | |
| | 4 | 1 | 6I-0456 | 1 | BOLT (M8X1.25X45-MM) | | | | | | |
| | 5 | 1 | 6I-4374 | 1 | BOLT | | | | | | |
| | 6 | 1 | 100-4104 | 1 | GASKET | | | | | | |
| | 7 | 1 | 112-7704 | 2 | BOLT | | | | | | |
| | 8 | 1 | 160-6988 | 1 | FILLER AS-OIL | | | | | | |
| | 9 | 1 | 113-1505 | 1 | SEAL-O-RING | | | | | | |
| | 10 | 1 | 130-9888 | 1 | CAP AS (ENGINE OIL FILLER) | | | | | | |
| | 11 | 1 | 113-1504 | 1 | SEAL-O-RING | | | | | | |
| | 12 | 1 | 216-9606 | 1 | COVER AS (VALVE) | | | | | | |
| | 12A | 1 | 229-3557 | 1 | SEAL-O-RING | | | | | | |
| | 13 | 1 | 229-3558 | 1 | BOLT | | | | | | |
| | 14 | 1 | 216-9600 | 8 | BOLT | | | | | | |
| | 15 | 1 | 216-9602 | 1 | BREATHER AS (CRANKCASE) | | | | | | |
| | 16 | 1 | 216-9604 | 1 | GASKET (VALVE COVER) | | | | | | |
| | 17 | 1 | 216-9608 | 1 | BREATHER (CLOSED CIRCUIT CRANKCASE) | | | | | | |
| | 17A | 1 | 229-3555 | 1 | FILTER-BREATHER (CLOSED CIRCUIT CRANKCASE) | | | | | | |
| | 17B | 1 | 229-3556 | 1 | SEAL-O-RING (CRANKCASE BREATHER) | | | | | | |
| | 18 | 1 | 216-9611 | 1 | BRACKET | | | | | | |
| | 19 | 1 | 216-9614 | 1 | HOSE (UPPER FUMES DISPOSAL) | | | | | | |
| | 20 | 1 | 216-9617 | 1 | HOSE (LOWER FUMES DISPOSAL) | | | | | | |
| | 21 | 1 | 216-9618 | 1 | VALVE-CHECK (CRANKCASE BREATHER CHECK) | | | | | | |
| | 22 | 1 | 216-9620 | 1 | ELBOW | | | | | | |
| | 23 | 1 | 216-9623 | 1 | ADAPTER | | | | | | |
| | 24 | 1 | 219-1803 | 1 | TUBE | | | | | | |

BASIC ENGINE

228-7371 COVER GP-VALVE MECHANISM

ALSO AN ATTACHMENT

SMCS-1107

i02009826

| NOTE | REF NO | GRAPHIC REF | PART NUMBER | QTY | PART NAME | | | | | | SEE PAGE |
|------|--------|-------------|-------------|-----|----------------------------------|---|---|---|---|-------------------|----------|
| | | | | | 1 | 2 | 3 | 4 | 5 | 6 (PRODUCT LEVEL) | |
| | 1 | 1 | 5D-1026 | 1 | CLAMP-HOSE | | | | | | |
| | 2 | 1 | 6I-0217 | 4 | BOLT (M8X1.25X20-MM) | | | | | | |
| | 3 | 1 | 7C-1281 | 1 | BRACKET | | | | | | |
| | 4 | 1 | 7M-7410 | 1 | PLUG-PIPE | | | | | | |
| | 5 | 1 | 100-4104 | 1 | GASKET | | | | | | |
| | 6 | 1 | 162-1565 | 1 | SPRING (CRANKCASE BREATHER HOSE) | | | | | | |
| | 7 | 1 | 197-5015 | 1 | PLATE AS | | | | | | |
| | 8 | 1 | 113-1505 | 1 | SEAL-O-RING | | | | | | |
| | 9 | 1 | 219-1787 | 1 | COVER AS-VALVE | | | | | | |
| | 9A | 1 | 136-3608 | 1 | CAP AS (ENGINE OIL FILLER) | | | | | | |
| | 9B | 1 | 124-0506 | 1 | SEAL | | | | | | |
| | 9C | 1 | 199-9252 | 1 | SEAL-O-RING | | | | | | |
| | 9D | 1 | 229-3558 | 1 | BOLT (M5X.8X16-MM) | | | | | | |
| | 9E | 1 | 216-9600 | 8 | BOLT (ISOLATOR) | | | | | | |
| | 9F | 1 | 216-9602 | 1 | BREATHER AS (CRANKCASE) | | | | | | |
| | 9G | 1 | 216-9604 | 1 | GASKET (VALVE COVER) | | | | | | |
| | 10 | 1 | 219-1803 | 1 | TUBE | | | | | | |
| | 11 | 1 | 198-8645 | 1 | HOSE (CRANKCASE BREATHER) | | | | | | |

BASIC ENGINE

233-8636 COVER GP-VALVE MECHANISM

S/N: 3561463-UP
ALSO AN ATTACHMENT

SMCS-1107

i02368724

| NOTE | REF NO | GRAPHIC REF | PART NUMBER | QTY | PART NAME | | | | | | SEE PAGE |
|------|--------|-------------|-------------|-----|--|---|---|---|---|-------------------|----------|
| | | | | | 1 | 2 | 3 | 4 | 5 | 6 (PRODUCT LEVEL) | |
| | 1 | 1 | 2S-3440 | 2 | CLAMP-HOSE | | | | | | |
| | 2 | 1 | 5D-1026 | 2 | CLAMP-HOSE | | | | | | |
| | 3 | 1 | 6I-0217 | 4 | BOLT (M8X1.25X20-MM) | | | | | | |
| | 4 | 1 | 100-4104 | 1 | GASKET | | | | | | |
| | 5 | 1 | 112-7704 | 2 | BOLT | | | | | | |
| | 6 | 1 | 197-5015 | 1 | PLATE AS | | | | | | |
| | 6A | 1 | 113-1505 | 1 | SEAL-O-RING | | | | | | |
| C | 7 | 1 | 262-1044 | 1 | BREATHER AS (CRANKCASE) | | | | | | |
| C | 7A | | 229-3555 | 1 | FILTER-BREATHER (CLOSED CIRCUIT CRANKCASE) | | | | | | |
| C | 7B | | 262-1046 | 1 | SEAL-O-RING (CRANKCASE BREATHER) | | | | | | |
| C | 8 | 1 | 262-1045 | 1 | BRACKET | | | | | | |
| | 9 | 1 | 216-9614 | 1 | HOSE (FUMES DISPOSAL, UPPER) | | | | | | |
| | 10 | 1 | 216-9617 | 1 | HOSE (FUMES DISPOSAL, LOWER) | | | | | | |
| | 11 | 1 | 216-9618 | 1 | VALVE-CHECK (CRANKCASE BREATHER CHECK) | | | | | | |
| | 12 | 1 | 216-9620 | 1 | ELBOW | | | | | | |
| | 13 | 1 | 216-9623 | 1 | ADAPTER | | | | | | |
| | 14 | 1 | 219-1803 | 1 | TUBE | | | | | | |
| | 15 | 1 | 233-8551 | 1 | COVER AS-VALVE | | | | | | |
| | 15A | 1 | 229-3558 | 1 | BOLT | | | | | | |
| | 15B | 1 | 216-9600 | 8 | BOLT | | | | | | |
| | 15C | 1 | 216-9602 | 1 | BREATHER AS (CRANKCASE) | | | | | | |
| | 15D | 1 | 216-9604 | 1 | GASKET (VALVE COVER) | | | | | | |
| | 15E | 1 | 229-3557 | 1 | SEAL-O-RING | | | | | | |
| | 15F | 1 | 136-3608 | 1 | CAP AS (ENGINE OIL FILLER) | | | | | | |
| | 15G | 1 | 124-0506 | 1 | SEAL | | | | | | |

C- CHANGE FROM PREVIOUS TYPE

BASIC ENGINE

235-4590 COVER GP-VALVE MECHANISM

S/N: 3561463-UP

SMCS-1107

i02349377

| NOTE | REF NO | GRAPHIC REF | PART NUMBER | QTY | PART NAME | | | | | | SEE PAGE |
|------|--------|-------------|-----------------|-----|--|---|---|---|---|-------------------|----------|
| | | | | | 1 | 2 | 3 | 4 | 5 | 6 (PRODUCT LEVEL) | |
| | 1 | 1 | 2S-3440 | 2 | CLAMP-HOSE | | | | | | |
| | 2 | 1 | 5D-1026 | 2 | CLAMP-HOSE | | | | | | |
| | 3 | 1 | 6I-0217 | 2 | BOLT (M8X1.25X20-MM) | | | | | | |
| | 4 | 1 | 6I-0260 | 2 | BOLT (M8X1.25X25-MM) | | | | | | |
| | 5 | 1 | 112-7704 | 2 | BOLT | | | | | | |
| | 6 | 1 | 197-5015 | 1 | PLATE AS | | | | | | |
| | 6A | 1 | 113-1505 | 1 | SEAL-O-RING | | | | | | |
| C | 7 | 1 | 262-1044 | 1 | BREATHER AS (CRANKCASE) | | | | | | |
| C | 7A | 1 | 229-3555 | 1 | FILTER-BREATHER (CLOSED CIRCUIT CRANKCASE) | | | | | | |
| C | 7B | 1 | 262-1046 | 1 | SEAL-O-RING (CRANKCASE BREATHER) | | | | | | |
| C | 8 | 1 | 262-1045 | 1 | BRACKET | | | | | | |
| | 9 | 1 | 216-9614 | 1 | HOSE (FUMES DISPOSAL, UPPER) | | | | | | |
| | 10 | 1 | 216-9617 | 1 | HOSE (FUMES DISPOSAL, LOWER) | | | | | | |
| | 11 | 1 | 216-9618 | 1 | VALVE-CHECK (CRANKCASE BREATHER CHECK) | | | | | | |
| | 14 | 1 | 219-1787 | 1 | COVER AS-VALVE | | | | | | |
| | 14A | 1 | 136-3608 | 1 | CAP AS (ENGINE OIL FILLER) | | | | | | |
| | 14B | 1 | 124-0506 | 1 | SEAL | | | | | | |
| | 14C | 1 | 199-9252 | 1 | SEAL-O-RING | | | | | | |
| | 14D | 1 | 216-9600 | 8 | BOLT | | | | | | |
| | 14E | 1 | 216-9602 | 1 | BREATHER AS (CRANKCASE) | | | | | | |
| | 14F | 1 | 216-9604 | 1 | GASKET (VALVE COVER) | | | | | | |
| | 14G | 1 | 229-3558 | 1 | BOLT | | | | | | |
| | 15 | 1 | 234-6174 | 1 | FILLER AS-OIL | | | | | | |
| | 15A | 1 | 130-9888 | 1 | CAP AS (ENGINE OIL FILLER) | | | | | | |
| | 15B | 1 | 113-1504 | 1 | SEAL-O-RING | | | | | | |
| | 15C | 1 | 234-6171 | 1 | SEAL-O-RING | | | | | | |
| C | 16 | 1 | 268-0876 | 1 | ELBOW | | | | | | |
| C | 17 | 1 | 032-8048 | 2 | OLIVE | | | | | | |
| C | 18 | 1 | 7W-2628 | 2 | NUT | | | | | | |
| C | 19 | 1 | 7W-2634 | 1 | UNION | | | | | | |

C-CHANGE FROM PREVIOUS TYPE

BASIC ENGINE

239-8034 COVER GP-VALVE MECHANISM

SMCS-1107

i02372765

| NOTE | REF NO | GRAPHIC REF | PART NUMBER | QTY | PART NAME | | | | | | SEE PAGE |
|------|--------|-------------|-------------|-----|----------------------------------|---|---|---|---|-------------------|----------|
| | | | | | 1 | 2 | 3 | 4 | 5 | 6 (PRODUCT LEVEL) | |
| | 1 | 1 | 5D-1026 | 1 | CLAMP-HOSE | | | | | | |
| | 2 | 1 | 6I-0217 | 1 | BOLT (M8X1.25X20-MM) | | | | | | |
| | 3 | 1 | 6I-0260 | 2 | BOLT (M8X1.25X25-MM) | | | | | | |
| | 4 | 1 | 7C-1281 | 1 | BRACKET | | | | | | |
| | 5 | 1 | 7M-7410 | 1 | PLUG-PIPE | | | | | | |
| | 6 | 1 | 162-1565 | 1 | SPRING (CRANKCASE BREATHER HOSE) | | | | | | |
| | 7 | 1 | 197-5015 | 1 | PLATE AS | | | | | | |
| | 7A | 1 | 113-1505 | 1 | SEAL-O-RING | | | | | | |
| | 8 | 1 | 198-8645 | 1 | HOSE (CRANKCASE BREATHER) | | | | | | |
| | 9 | 1 | 216-9606 | 1 | COVER AS (VALVE) | | | | | | |
| | 9A | 1 | 216-9600 | 8 | BOLT | | | | | | |
| | 9B | 1 | 216-9602 | 1 | BREATHER AS (CRANKCASE) | | | | | | |
| | 9C | 1 | 216-9604 | 1 | GASKET (VALVE COVER) | | | | | | |
| | 9D | 1 | 229-3557 | 1 | SEAL-O-RING | | | | | | |
| | 9E | 1 | 229-3558 | 1 | BOLT | | | | | | |
| | 10 | 1 | 217-7317 | 1 | BRACKET | | | | | | |
| | 11 | 1 | 217-9039 | 1 | STRAP-CABLE | | | | | | |
| | 12 | 1 | 234-6174 | 1 | FILLER AS-OIL | | | | | | |
| | 12A | 1 | 130-9888 | 1 | CAP AS (ENGINE OIL FILLER) | | | | | | |
| | 12B | 1 | 113-1504 | 1 | SEAL-O-RING | | | | | | |
| | 12C | 1 | 234-6171 | 1 | SEAL-O-RING | | | | | | |

BASIC ENGINE

242-0183 COVER GP-VALVE MECHANISM

SMCS-1107

i02372774

| NOTE | REF NO | GRAPHIC REF | PART NUMBER | QTY | PART NAME | | | | | | SEE PAGE |
|------|--------|-------------|-------------|-----|----------------------------------|---|---|---|---|-------------------|----------|
| | | | | | 1 | 2 | 3 | 4 | 5 | 6 (PRODUCT LEVEL) | |
| | 1 | 1 | 5D-1026 | 1 | CLAMP-HOSE | | | | | | |
| | 2 | 1 | 6I-0217 | 2 | BOLT (M8X1.25X20-MM) | | | | | | |
| | 3 | 1 | 6I-0512 | 1 | GASKET | | | | | | |
| | 4 | 1 | 6I-0839 | 1 | BOLT (M8X1.25X70-MM) | | | | | | |
| | 5 | 1 | 7C-1281 | 1 | BRACKET | | | | | | |
| | 6 | 1 | 7M-7410 | 1 | PLUG-PIPE | | | | | | |
| | 7 | 1 | 100-4104 | 1 | GASKET | | | | | | |
| | 8 | 1 | 101-3771 | 1 | BOLT | | | | | | |
| | 9 | 1 | 113-8084 | 1 | CAP AS-FILLER | | | | | | |
| | 9A | 1 | 130-9888 | 1 | CAP AS (ENGINE OIL FILLER) | | | | | | |
| | 9B | 1 | 113-1504 | 1 | SEAL-O-RING | | | | | | |
| | 10 | 1 | 162-1565 | 1 | SPRING (CRANKCASE BREATHER HOSE) | | | | | | |
| | 11 | 1 | 191-5049 | 1 | HOSE (CRANKCASE BREATHER) | | | | | | |
| | 12 | 1 | 193-3311 | 1 | SPACER | | | | | | |
| | 13 | 1 | 219-1787 | 1 | COVER AS-VALVE | | | | | | |
| | 13A | 1 | 136-3608 | 1 | CAP AS (ENGINE OIL FILLER) | | | | | | |
| | 13B | 1 | 124-0506 | 1 | SEAL | | | | | | |
| | 13C | 1 | 199-9252 | 1 | SEAL-O-RING | | | | | | |
| | 13D | 1 | 216-9600 | 8 | BOLT | | | | | | |
| | 13E | 1 | 216-9602 | 1 | BREATHER AS (CRANKCASE) | | | | | | |
| | 13F | 1 | 216-9604 | 1 | GASKET (VALVE COVER) | | | | | | |
| | 13G | 1 | 229-3558 | 1 | BOLT | | | | | | |
| | 14 | 1 | 219-1803 | 1 | TUBE | | | | | | |

BASIC ENGINE

256-2806 COVER GP-VALVE MECHANISM

S/N: 3561463-UP

SMCS-1107

i02349372

| NOTE | REF NO | GRAPHIC REF | PART NUMBER | QTY | PART NAME | | | | | | SEE PAGE |
|------|--------|-------------|-----------------|-----|--|---|---|---|---|-------------------|----------|
| | | | | | 1 | 2 | 3 | 4 | 5 | 6 (PRODUCT LEVEL) | |
| | 1 | 1 | 2S-3440 | 2 | CLAMP-HOSE | | | | | | |
| | 2 | 1 | 5D-1026 | 2 | CLAMP-HOSE | | | | | | |
| | 3 | 1 | 6I-0217 | 6 | BOLT (M8X1.25X20-MM) | | | | | | |
| | 4 | 1 | 100-4104 | 1 | GASKET | | | | | | |
| | 5 | 1 | 112-7704 | 2 | BOLT | | | | | | |
| | 6 | 1 | 197-5015 | 2 | PLATE AS | | | | | | |
| | | | | | (EACH INCLUDES) | | | | | | |
| | 6A | 1 | 113-1505 | 1 | SEAL-O-RING | | | | | | |
| C | 7 | 1 | 262-1044 | 1 | BREATHER AS (CRANKCASE) | | | | | | |
| | 7A | 1 | 229-3555 | 1 | FILTER-BREATHER (CLOSED CIRCUIT CRANKCASE) | | | | | | |
| | 7B | 1 | 262-1046 | 1 | SEAL-O-RING (CRANKCASE BREATHER) | | | | | | |
| C | 8 | 1 | 262-1045 | 1 | BRACKET | | | | | | |
| | 9 | 1 | 216-9618 | 1 | VALVE-CHECK (CRANKCASE BREATHER CHECK) | | | | | | |
| | 12 | 1 | 219-1787 | 1 | COVER AS-VALVE | | | | | | |
| | 12A | 1 | 136-3608 | 1 | CAP AS (ENGINE OIL FILLER) | | | | | | |
| | 12B | 1 | 124-0506 | 1 | SEAL | | | | | | |
| | 12C | 1 | 199-9252 | 1 | SEAL-O-RING | | | | | | |
| | 12D | 1 | 216-9600 | 8 | BOLT | | | | | | |
| | 12E | 1 | 216-9602 | 1 | BREATHER AS (CRANKCASE) | | | | | | |
| | 12F | 1 | 216-9604 | 1 | GASKET (VALVE COVER) | | | | | | |
| | 12G | 1 | 229-3558 | 1 | BOLT | | | | | | |
| | 13 | 1 | 219-1803 | 1 | TUBE | | | | | | |
| | 14 | 1 | 249-2826 | 1 | HOSE (FUMES DISPOSAL, UPPER) | | | | | | |
| | 15 | 1 | 249-2827 | 1 | HOSE (FUMES DISPOSAL, LOWER) | | | | | | |
| C | 16 | 1 | 268-0876 | 1 | ELBOW | | | | | | |
| C | 17 | 1 | 032-8048 | 2 | OLIVE | | | | | | |
| C | 18 | 1 | 7W-2628 | 2 | NUT | | | | | | |
| C | 19 | 1 | 7W-2634 | 1 | UNION | | | | | | |

C-CHANGE FROM PREVIOUS TYPE

BASIC ENGINE

216-8316 CRANKSHAFT GP

ALSO AN ATTACHMENT

TYPE 2

SMCS-1202

i02145194

| NOTE | REF NO | GRAPHIC REF | PART NUMBER | QTY | PART NAME | | | | | | SEE PAGE |
|------|--------|-------------|-----------------|-----|---|---|---|---|---|-------------------|----------|
| | | | | | 1 | 2 | 3 | 4 | 5 | 6 (PRODUCT LEVEL) | |
| | 1 | 1 | 216-8314 | 1 | GEAR-CRANKSHAFT (34-TEETH) | | | | | | |
| | 2 | 1 | 240-8467 | 1 | CRANKSHAFT GP | | | | | | |
| | 3 | 1 | 1B-8736 | 1 | KEY-WOODRUFF | | | | | | |
| | 4 | 1 | 032-9090 | 2 | WASHER-THRUST (STANDARD-UPPER) | | | | | | |
| AB | | 1 | 067-6873 | | WASHER-THRUST (0.18-MM OS) | | | | | | |
| | 5 | 1 | 032-9091 | 2 | WASHER-THRUST (STANDARD-LOWER) | | | | | | |
| AB | | 1 | 067-6874 | | WASHER-THRUST (0.18-MM OS) | | | | | | |
| | 6 | 1 | 7W-4589 | 1 | BEARING GP-MAIN (STANDARD) | | | | | | |
| AB | | 1 | 7W-4590 | | BEARING GP-MAIN (0.25 US ID) | | | | | | |
| AB | | 1 | 7W-4591 | | BEARING GP-MAIN (0.51 US ID) | | | | | | |
| AB | | 1 | 7W-4592 | | BEARING GP-MAIN (0.76 US ID) (STANDARD) | | | | | | |
| | 7 | 1 | 236-4397 | 1 | BEARING SET-ROD | | | | | | |
| | 8 | 1 | 225-8839 | 1 | DOWEL | | | | | | |
| | 9 | 1 | 226-2036 | 1 | RING-TIMING | | | | | | |
| | 10 | 1 | 6I-4716 | 1 | KEY | | | | | | |

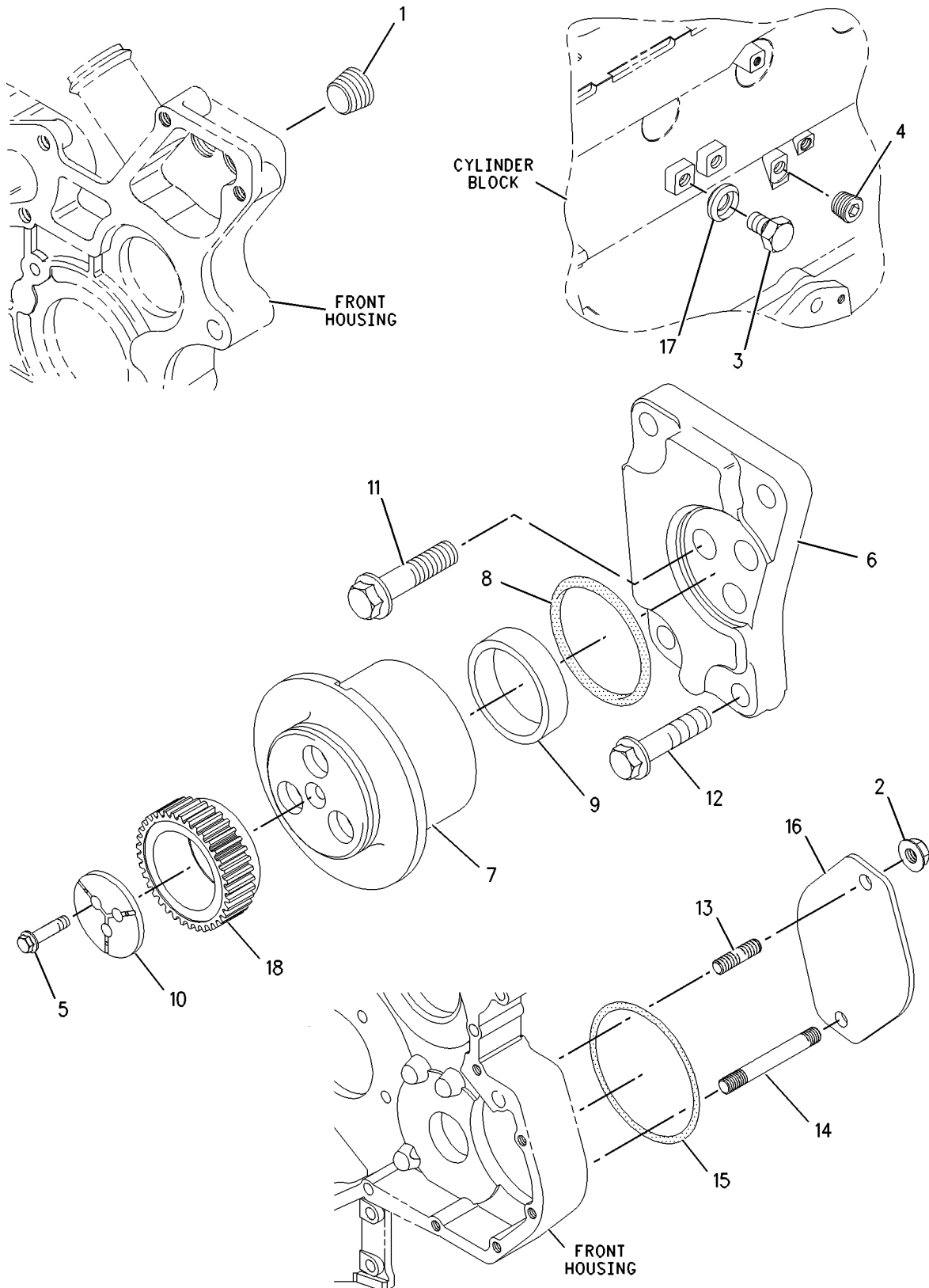
A- NOT PART OF THIS GROUP

B- USE AS REQUIRED

BASIC ENGINE

226-3558 DRIVE GP-ACCESSORY (contd.)

i02181559



GRAPHIC #1

<END>

g00909741

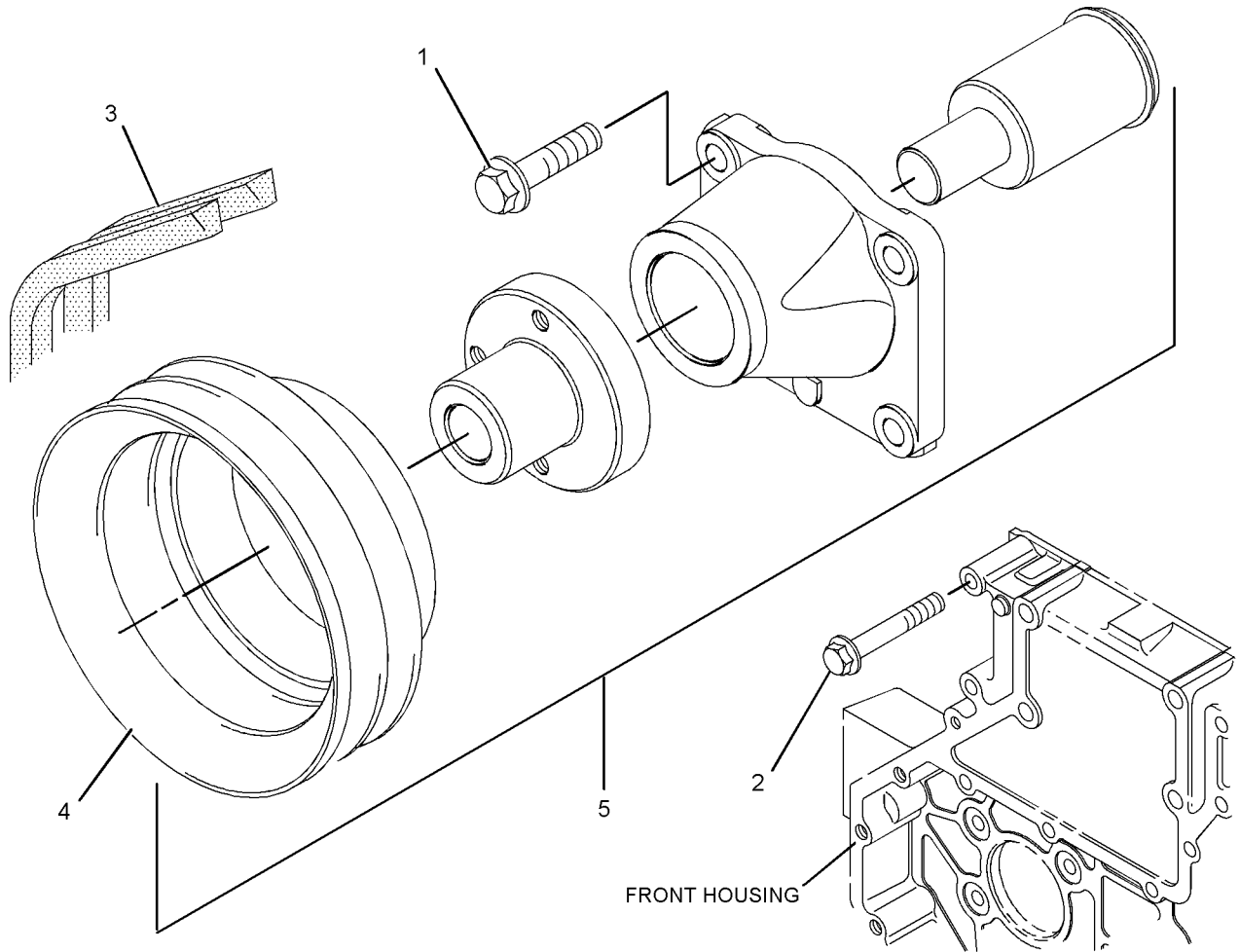
BASIC ENGINE

235-8211 DRIVE GP-FAN

SMCS-1359

i02191401

| NOTE | REF NO | GRAPHIC REF | PART NUMBER | QTY | PART NAME | | | | | | SEE PAGE |
|------|--------|-------------|-----------------|-----|---|---|---|---|---|-------------------|----------|
| | | | | | 1 | 2 | 3 | 4 | 5 | 6 (PRODUCT LEVEL) | |
| | 1 | 1 | 6I-0593 | 4 | BOLT (M10X1.5X30-MM) | | | | | | |
| | 2 | 1 | 6I-0650 | 4 | BOLT (M10X1.5X65-MM) | | | | | | |
| | 3 | 1 | 9L-1106 | 1 | V-BELT SET (INCLUDES 2-BELTS) (FAN DRIVE) | | | | | | |
| | 4 | 1 | 130-3879 | 1 | PULLEY-FAN DRIVE | | | | | | |
| | 5 | 1 | 166-0482 | 1 | HOUSING AS | | | | | | |



GRAPHIC #1

<END>

g01057851

BASIC ENGINE

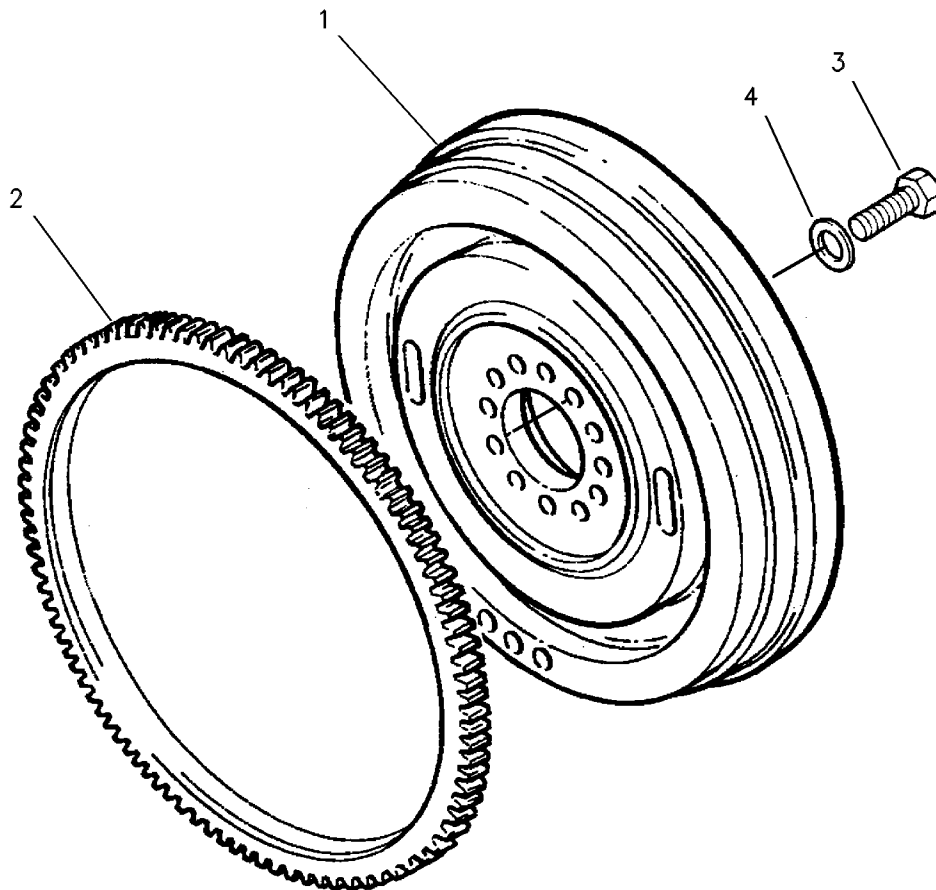
221-6990 FLYWHEEL GP

AN ATTACHMENT
TYPE 1

SMCS-1156

i01724912

| NOTE | REF NO | GRAPHIC REF | PART NUMBER | QTY | PART NAME | | | | | | SEE PAGE |
|------|--------|-------------|-------------|-----|----------------------------------|---|---|---|---|-------------------|----------|
| | | | | | 1 | 2 | 3 | 4 | 5 | 6 (PRODUCT LEVEL) | |
| | 1 | 1 | 113-7543 | 1 | FLYWHEEL AS | | | | | | |
| | 2 | 1 | 033-7687 | 1 | RING-STARTING MOTOR (126-TEETH) | | | | | | |
| | 3 | 1 | 4K-7502 | 12 | BOLT (1/2-20X1.375-IN) | | | | | | |
| | 4 | 1 | 5P-8245 | 12 | WASHER-HARD (13.5X25.5X3-MM THK) | | | | | | |



GRAPHIC #1

<END>

g00241149

BASIC ENGINE

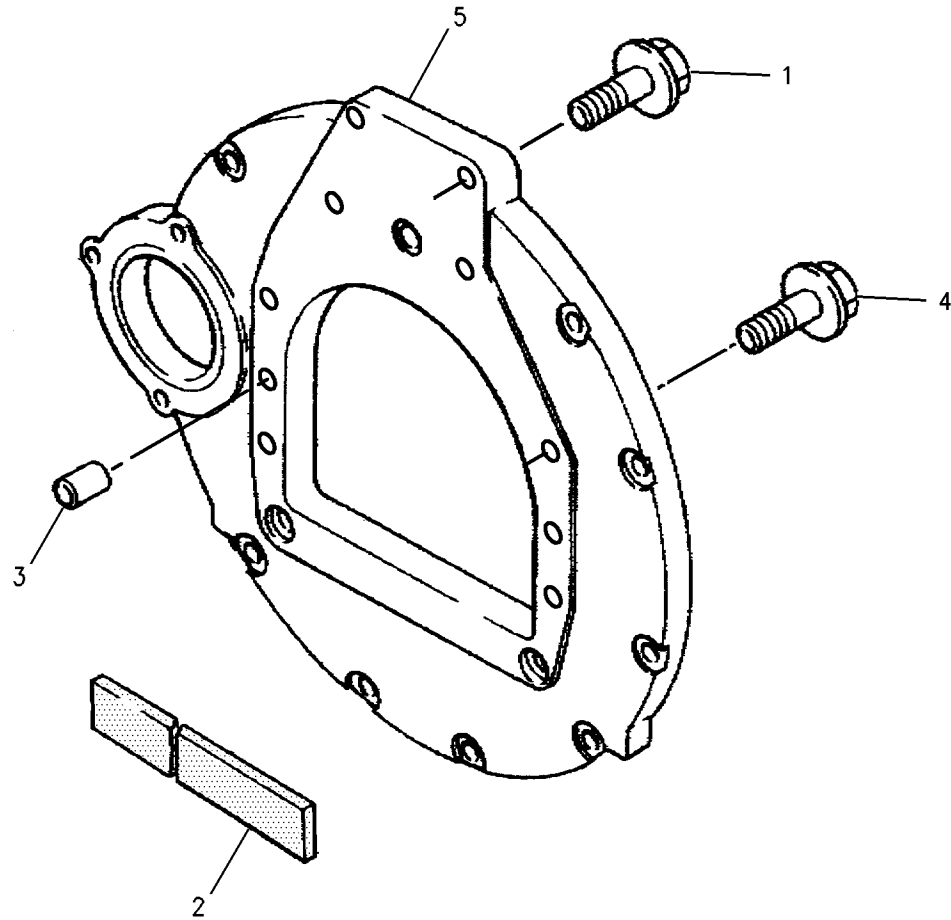
233-0696 HOUSING GP-FLYWHEEL

ALSO AN ATTACHMENT

SMCS-1157

i01959134

| NOTE | REF NO | GRAPHIC REF | PART NUMBER | QTY | PART NAME | | | | | | SEE PAGE |
|------|--------|-------------|-----------------|-----|-----------------------|---|---|---|---|-------------------|----------|
| | | | | | 1 | 2 | 3 | 4 | 5 | 6 (PRODUCT LEVEL) | |
| | 1 | 1 | 6I-0423 | 2 | BOLT (M12X1.75X30-MM) | | | | | | |
| | 2 | 1 | 7W-4642 | 1 | SHIELD-DUST | | | | | | |
| | 3 | 1 | 067-6123 | 2 | DOWEL | | | | | | |
| | 4 | 1 | 121-0883 | 6 | BOLT (M10X1.5X30-MM) | | | | | | |
| | 5 | 1 | 186-2342 | 1 | PLATE | | | | | | |



GRAPHIC #1

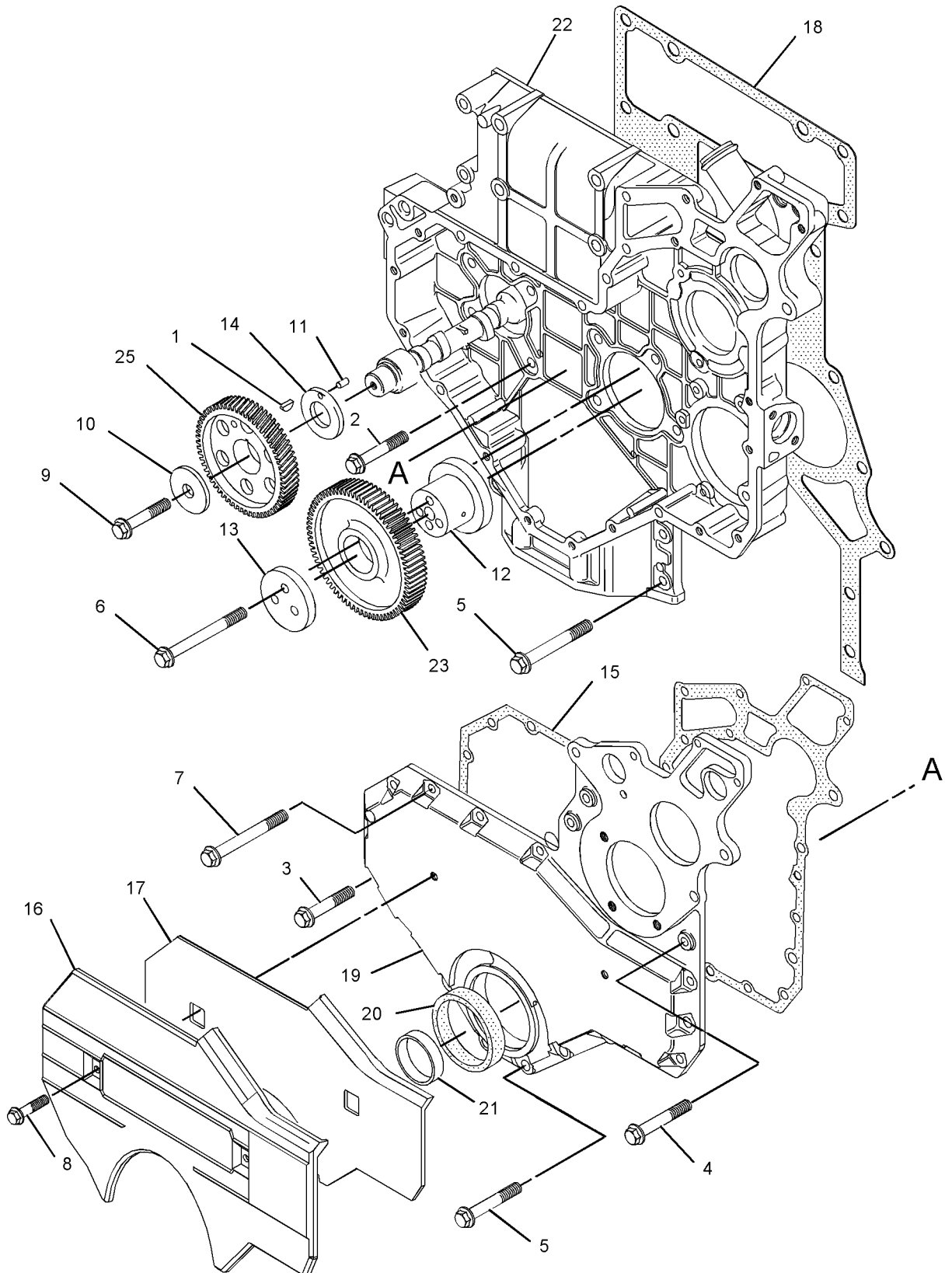
<END>

g00733445

BASIC ENGINE

221-6835 HOUSING GP-FRONT (contd.)

i02161534



GRAPHIC #1

<END>

g01081842

BASIC ENGINE

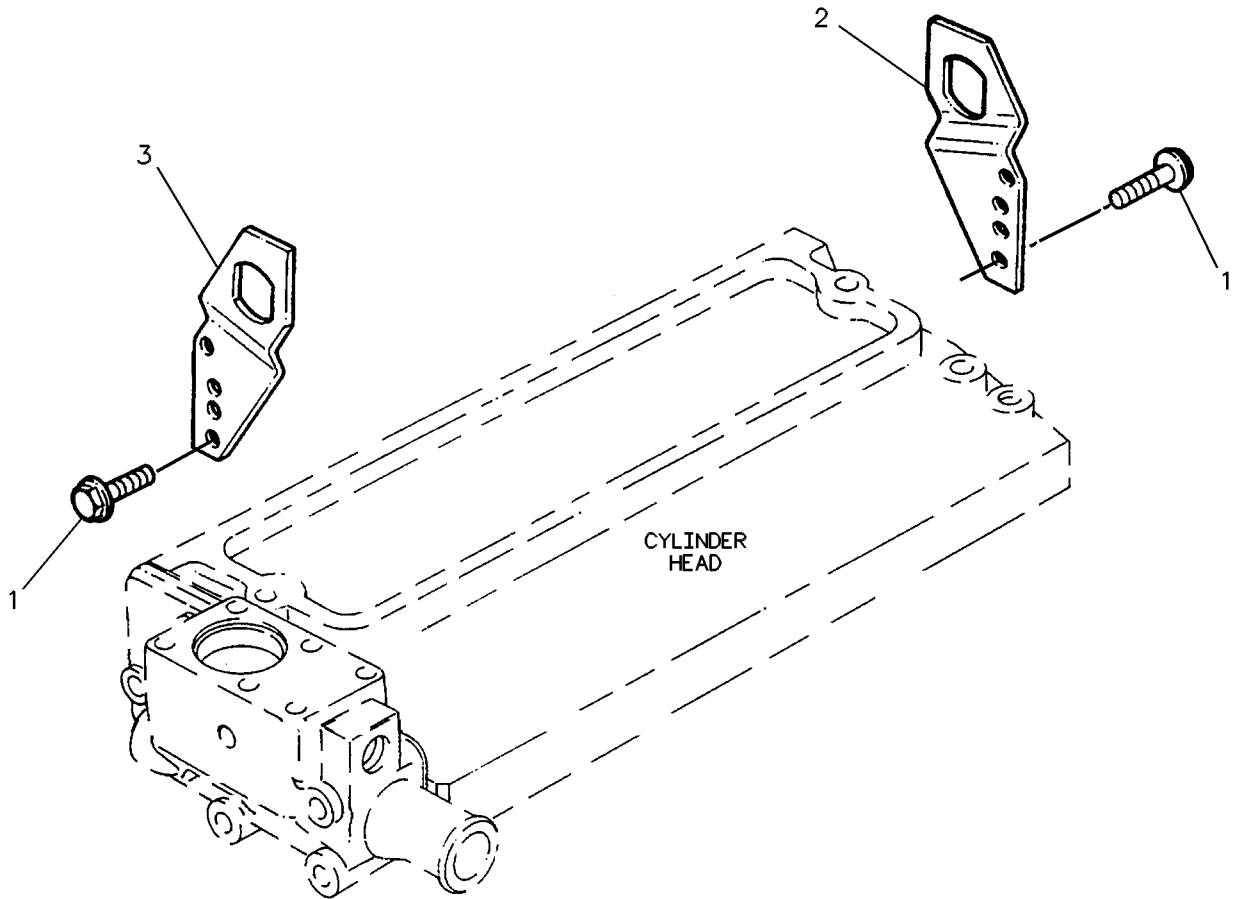
228-7462 LIFTING GP-ENGINE

ALSO AN ATTACHMENT

SMCS-1122

i01827919

| NOTE | REF NO | GRAPHIC REF | PART NUMBER | QTY | PART NAME | | | | | | SEE PAGE |
|------|--------|-------------|-----------------|-----|---------------------|---|---|---|---|-------------------|----------|
| | | | | | 1 | 2 | 3 | 4 | 5 | 6 (PRODUCT LEVEL) | |
| | 1 | 1 | 6I-0654 | 4 | BOLT (M10X1.5X25MM) | | | | | | |
| | 2 | 1 | 140-8953 | 1 | PLATE | | | | | | |
| | 3 | 1 | 142-0349 | 1 | PLATE-LIFTING | | | | | | |



GRAPHIC #1

<END>

g00272676

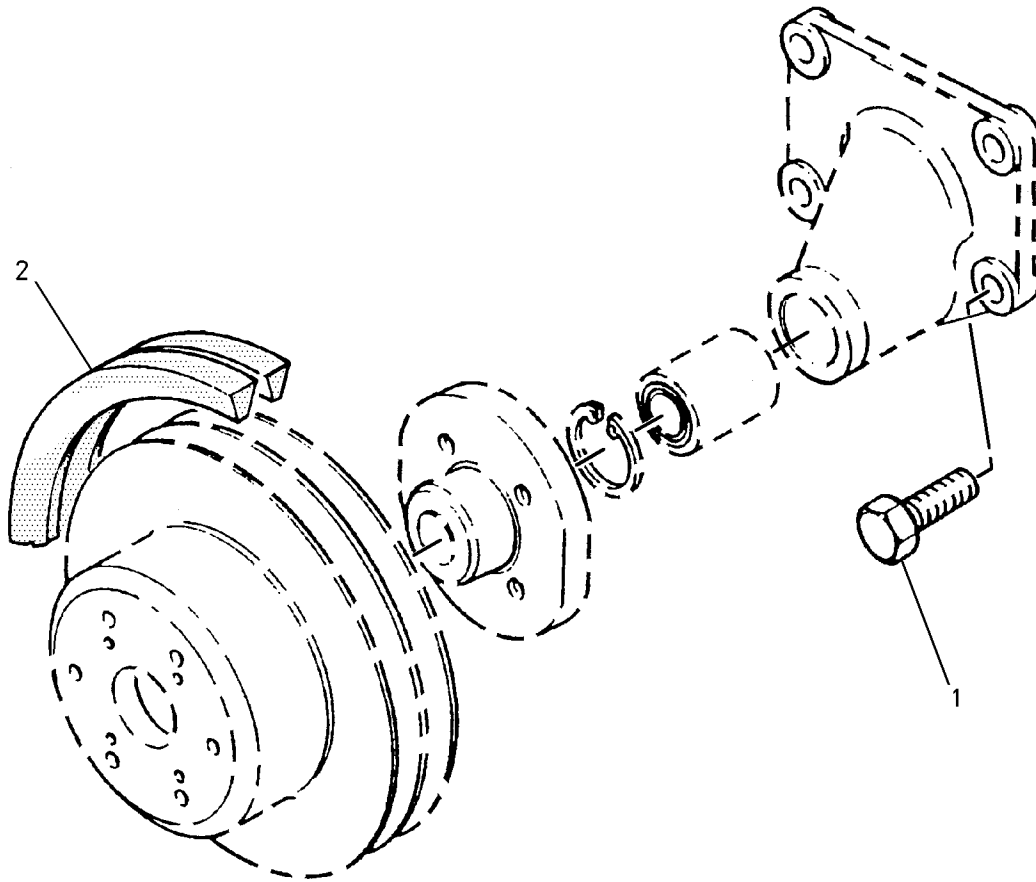
BASIC ENGINE

186-3660 MOUNTING GP-FAN DRIVE

SMCS-1359

i02188286

| NOTE | REF NO | GRAPHIC REF | PART NUMBER | QTY | PART NAME | | | | | | SEE PAGE |
|------|--------|-------------|-------------|-----|---|---|---|---|---|-------------------|----------|
| | | | | | 1 | 2 | 3 | 4 | 5 | 6 (PRODUCT LEVEL) | |
| | 1 | 1 | 6I-0650 | 4 | BOLT (M10X1.5X65-MM) | | | | | | |
| | 2 | 1 | 5N-6350 | 1 | V-BELT SET (INCLUDES 2-BELTS) (FAN DRIVE) | | | | | | |



GRAPHIC #1

<END>

g00730645

BASIC ENGINE

221-2959 PAN GP-OIL

AN ATTACHMENT

TYPE 1

SMCS-1302

i02156949

| NOTE | REF NO | GRAPHIC REF | PART NUMBER | QTY | PART NAME | | | | | | SEE PAGE |
|------|--------|-------------|-------------|-----|------------------------------|---|---|---|---|-------------------|----------|
| | | | | | 1 | 2 | 3 | 4 | 5 | 6 (PRODUCT LEVEL) | |
| | 1 | 1 | 113-5280 | 1 | PAN AS-OIL | | | | | | |
| | 2 | 1 | 7C-1224 | 1 | INSERT | | | | | | |
| | 3 | 1 | 195-3761 | 1 | SPACER | | | | | | |
| | 4 | 1 | 7C-0351 | 2 | PLUG-DRAIN (ENGINE OIL) | | | | | | |
| | 5 | 1 | 5P-6718 | 2 | SEAL-O-RING (OIL DRAIN PLUG) | | | | | | |
| | 6 | 1 | 6I-4709 | 6 | BOLT (M8X1.25X100-MM) | | | | | | |
| | 7 | 1 | 6I-0217 | 22 | BOLT (M8X1.25X20-MM) | | | | | | |
| | 8 | 1 | 211-0067 | 1 | BRIDGE | | | | | | |
| | 9 | 1 | 6I-0363 | 2 | BOLT (M6X1X20-MM) | | | | | | |
| | 10 | 1 | 6I-4710 | 1 | GASKET | | | | | | |
| | 11 | 1 | 113-5281 | 1 | TUBE AS | | | | | | |
| | 12 | 1 | 6I-4681 | 1 | GASKET | | | | | | |
| | 13 | 1 | 6I-0260 | 2 | BOLT (M8X1.25X25-MM) | | | | | | |
| | 14 | 1 | 6I-0289 | 1 | PLUG | | | | | | |
| | 15 | 1 | 6I-0572 | 2 | BOLT (M8X1.25X20-MM) | | | | | | |
| | 16 | 1 | 113-5282 | 1 | BRACKET | | | | | | |
| | 17 | 1 | 113-8130 | 1 | CLIP | | | | | | |
| | 19 | 1 | 6I-0291 | 2 | NUT (M8X1.25-THD) | | | | | | |
| | 20 | 1 | 124-3815 | 1 | BOLT (M8X16X1.25-MM) | | | | | | |
| | 21 | 1 | 113-8231 | 1 | SUPPORT | | | | | | |

CLICK HERE TO **DOWNLOAD** THE COMPLETE MANUAL

- Thank you very much for reading the preview of the manual.
- You can download the complete manual from: www.heydownloads.com by clicking the link below



- Please note: If there is no response to CLICKING the link, please download this PDF first and then click on it.

CLICK HERE TO **DOWNLOAD** THE COMPLETE MANUAL

BASIC ENGINE

233-2564 PAN GP-OIL ALSO AN ATTACHMENT

SMCS - 1302

i02181914

| NOTE | REF NO | GRAPHIC REF | PART NUMBER | QTY | PART NAME | | | | | | SEE PAGE |
|------|--------|-------------|-----------------|-----|--|---|---|---|---|-------------------|----------|
| | | | | | 1 | 2 | 3 | 4 | 5 | 6 (PRODUCT LEVEL) | |
| | 1 | 1 | 5P-6718 | 2 | SEAL - O - RING | | | | | | |
| | 2 | 1 | 6I-0217 | 23 | BOLT (M8X1.25X20-MM) | | | | | | |
| | 3 | 1 | 6I-0260 | 2 | BOLT (M8X1.25X25-MM) | | | | | | |
| | 4 | 1 | 6I-0289 | 1 | PLUG | | | | | | |
| | 5 | 1 | 6I-0291 | 1 | NUT (M8X1.25-THD) | | | | | | |
| | 6 | 1 | 6I-0363 | 2 | BOLT (M6X1X20-MM) | | | | | | |
| | 7 | 1 | 6I-0572 | 2 | BOLT (M8X1.25X20-MM) | | | | | | |
| | 8 | 1 | 6I-1497 | 1 | SEAL | | | | | | |
| | 9 | 1 | 6I-4376 | 1 | TUBE AS | | | | | | |
| | 10 | 1 | 6I-4681 | 1 | GASKET | | | | | | |
| | 11 | 1 | 6I-4709 | 4 | BOLT (M8X1.25X100-MM) | | | | | | |
| | 12 | 1 | 6I-4710 | 1 | GASKET | | | | | | |
| | 13 | 1 | 7C-0351 | 2 | PLUG-DRAIN (ENGINE OIL) | | | | | | |
| | 14 | 1 | 124-3815 | 1 | BOLT (M8X16X1.25-MM) | | | | | | |
| | 15 | 1 | 130-1161 | 1 | GAUGE AS-OIL LEVEL (DIPSTICK) (ENGINE) | | | | | | |
| | 16 | 1 | 132-8848 | 1 | WASHER | | | | | | |
| | 17 | 1 | 211-0067 | 1 | BRIDGE | | | | | | |
| | 18 | 1 | 213-4814 | 1 | PAN AS-OIL | | | | | | |
| | 18A | 1 | 7C-1224 | 2 | INSERT | | | | | | |
| | 19 | 1 | 214-5974 | 1 | BRACKET | | | | | | |
| | 20 | 1 | 231-5158 | 1 | TUBE AS | | | | | | |
| | 20A | 1 | 6I-4079 | 1 | NUT | | | | | | |

BASIC ENGINE

236-5516 PAN GP-OIL

TYPE 2

SMCS-1302

i02182394

| NOTE | REF NO | GRAPHIC REF | PART NUMBER | QTY | PART NAME | | | | | | SEE PAGE |
|------|--------|-------------|-----------------|-----|--|---|---|---|---|-------------------|----------|
| | | | | | 1 | 2 | 3 | 4 | 5 | 6 (PRODUCT LEVEL) | |
| | 1 | 1 | 5P-6718 | 2 | SEAL-O-RING | | | | | | |
| | 2 | 1 | 6I-0217 | 2 | BOLT (M8X1.25X20-MM) | | | | | | |
| | 3 | 1 | 6I-0260 | 3 | BOLT (M8X1.25X25-MM) | | | | | | |
| | 4 | 1 | 6I-0289 | 1 | PLUG | | | | | | |
| | 5 | 1 | 6I-0291 | 6 | NUT (M8X1.25-THD) | | | | | | |
| | 6 | 1 | 6I-0363 | 2 | BOLT (M6X1X20-MM) | | | | | | |
| C | 8 | 1 | 6I-1090 | 14 | BOLT (M8X1.25X40-MM) | | | | | | |
| | 9 | 1 | 6I-1497 | 1 | SEAL | | | | | | |
| | 10 | 1 | 6I-4681 | 1 | GASKET | | | | | | |
| C | 11 | 1 | 6I-4709 | 8 | BOLT (M8X1.25X100-MM) | | | | | | |
| | 12 | 1 | 7C-0351 | 2 | PLUG-DRAIN (ENGINE OIL) | | | | | | |
| | 13 | 1 | 7W-2632 | 2 | WASHER (8.5X16.8X1.6-MM THK) | | | | | | |
| CM | 14 | 1 | 100-3751 | 2 | BOLT (M8X1.25X65-MM) | | | | | | |
| | 15 | 1 | 132-8848 | 1 | WASHER | | | | | | |
| | 16 | 1 | 207-4876 | 2 | STUD | | | | | | |
| | 17 | 1 | 211-0067 | 1 | BRIDGE | | | | | | |
| | 18 | 1 | 213-9710 | 1 | GASKET | | | | | | |
| | 19 | 1 | 214-5974 | 1 | BRACKET | | | | | | |
| | 20 | 1 | 231-5158 | 1 | TUBE AS | | | | | | |
| | 20A | 1 | 6I-4079 | 1 | NUT | | | | | | |
| C | 21 | 1 | 254-6054 | 1 | PAN-OIL | | | | | | |
| | 22 | 1 | 236-2336 | 2 | BOLT | | | | | | |
| | 23 | 1 | 236-2351 | 1 | GAUGE AS-OIL LEVEL (DIPSTICK) (ENGINE) | | | | | | |
| C | 24 | 1 | 254-6055 | 1 | TUBE-OIL SUCTION | | | | | | |
| | 25 | 1 | 236-5514 | 1 | BRACKET | | | | | | |

C-CHANGE FROM PREVIOUS TYPE
M-METRIC PART

BASIC ENGINE

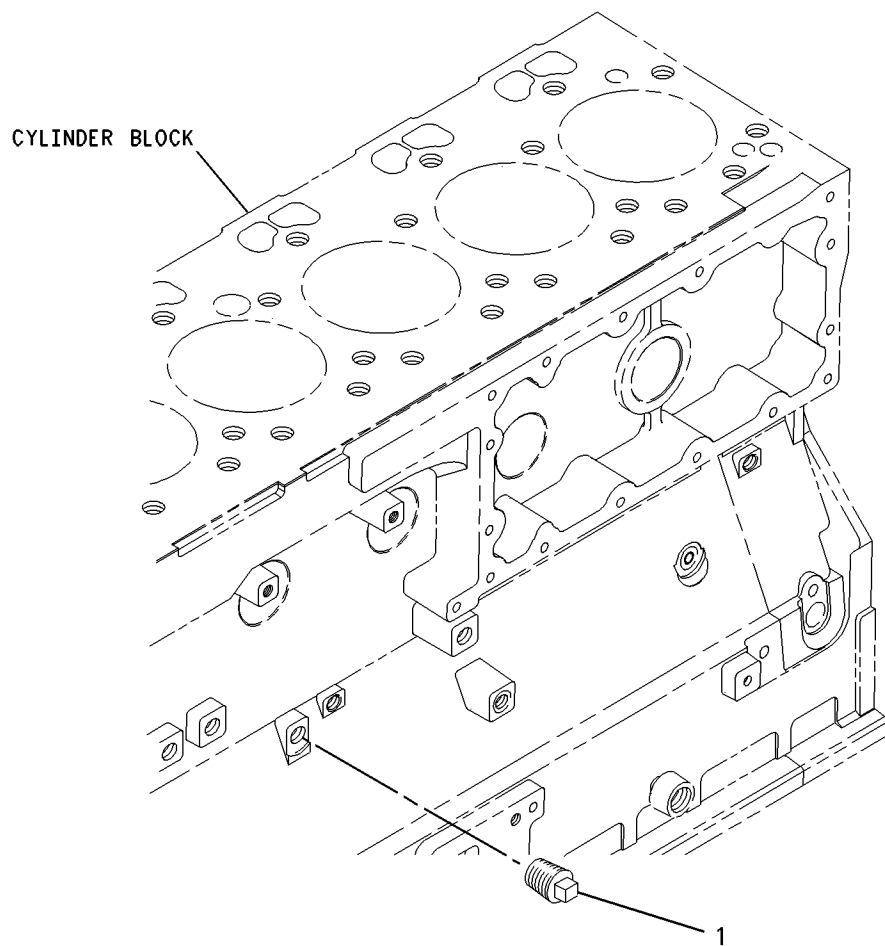
228-7470 PLUG GP-CYLINDER BLOCK

AN ATTACHMENT

SMCS-1201

i01827904

| NOTE | REF NO | GRAPHIC REF | PART NUMBER | QTY | PART NAME | | | | | | SEE PAGE |
|------|--------|-------------|-------------|-----|------------|---|---|---|---|-------------------|----------|
| | | | | | 1 | 2 | 3 | 4 | 5 | 6 (PRODUCT LEVEL) | |
| | 1 | 1 | 035-8063 | 1 | PLUG (1/8) | | | | | | |



GRAPHIC #1

<END>

g00934899

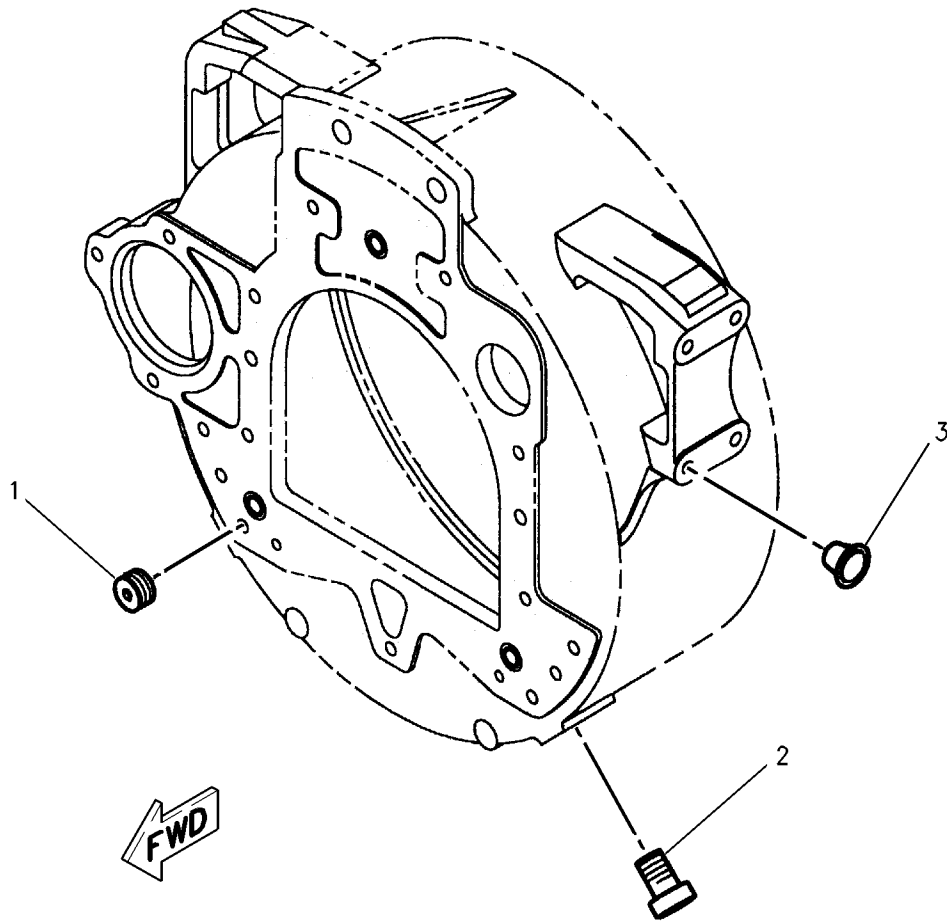
BASIC ENGINE

217-7888 PLUG GP-FLYWHEEL HOUSING AN ATTACHMENT

SMCS-1157

i02225545

| NOTE | REF NO | GRAPHIC REF | PART NUMBER | QTY | PART NAME | | | | | | SEE PAGE |
|------|--------|-------------|-------------|-----|-----------|---|---|---|---|-------------------|----------|
| | | | | | 1 | 2 | 3 | 4 | 5 | 6 (PRODUCT LEVEL) | |
| | 1 | 1 | 101-2987 | 6 | PLUG | | | | | | |
| | 2 | 1 | 102-9460 | 4 | PLUG | | | | | | |
| | 3 | 1 | 133-8470 | 4 | PLUG | | | | | | |



GRAPHIC #1

<END>

g00878680

LUBRICATION SYSTEM

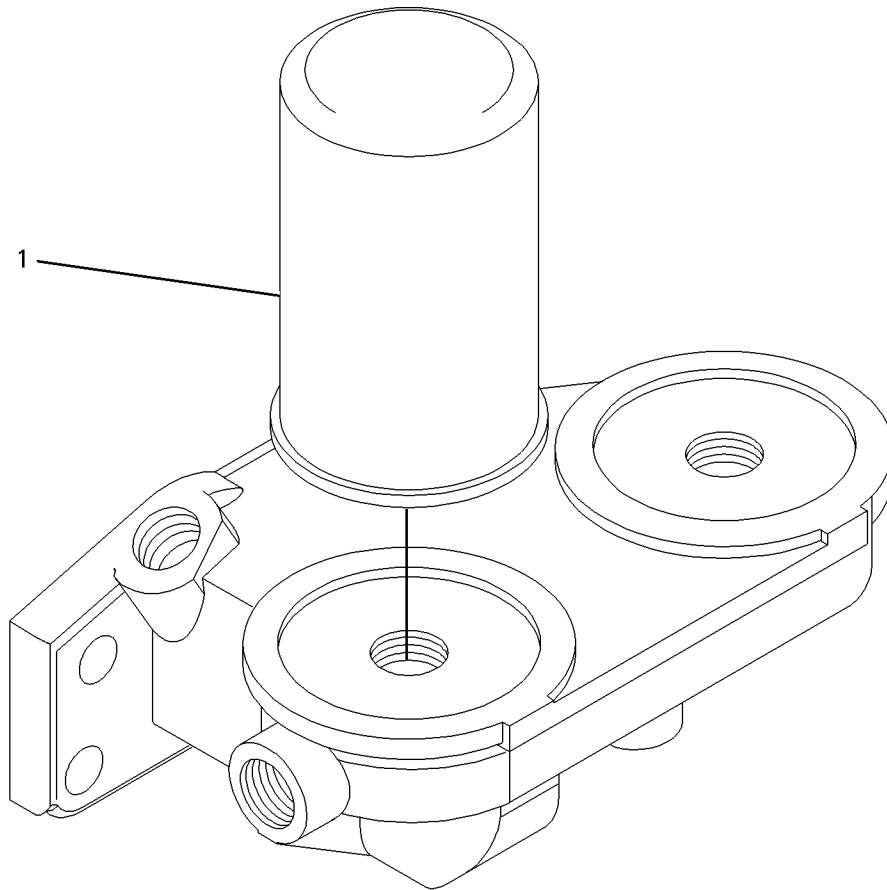
216-9683 FILTER GP-ENGINE OIL

ALSO AN ATTACHMENT

SMCS-1306, 1308

i01755992

| NOTE | REF NO | GRAPHIC REF | PART NUMBER | QTY | PART NAME | | | | | | SEE PAGE |
|------|--------|-------------|-------------|-----|----------------------|---|---|---|---|-------------------|----------|
| | | | | | 1 | 2 | 3 | 4 | 5 | 6 (PRODUCT LEVEL) | |
| | 1 | 1 | 7W-2327 | 2 | FILTER AS-ENGINE OIL | | | | | | |



GRAPHIC #1

<END>

g00861958

LUBRICATION SYSTEM

235-9692 PUMP GP-ENGINE OIL

ALSO AN ATTACHMENT

SMCS-1304, 1315

i02368740

| NOTE | REF NO | GRAPHIC REF | PART NUMBER | QTY | PART NAME | | | | | | SEE PAGE |
|------|--------|-------------|-----------------|-----|----------------------|---|---|---|---|-------------------|----------|
| | | | | | 1 | 2 | 3 | 4 | 5 | 6 (PRODUCT LEVEL) | |
| | 1 | 1 | 5C-1796 | 1 | GASKET | | | | | | |
| | 2 | 1 | 6I-0260 | 6 | BOLT (M8X1.25X25-MM) | | | | | | |
| C | 4 | 1 | 6I-4374 | 2 | BOLT | | | | | | |
| | 5 | 1 | 067-6933 | 1 | GASKET | | | | | | |
| | 8 | 1 | 112-7702 | 1 | HOUSING AS | | | | | | |
| | 9 | 1 | 6I-0787 | 1 | RING-RETAINING | | | | | | |
| | 10 | 1 | 7W-4648 | 1 | SEAT-SPRING | | | | | | |
| | 11 | 1 | 7W-4650 | 1 | SPRING | | | | | | |
| | 12 | 1 | 7W-4782 | 1 | PLUNGER | | | | | | |
| C | 13 | 1 | 133-6106 | 4 | BOLT | | | | | | |
| | 14 | 1 | 124-3815 | 1 | BOLT (M8X16X1.25-MM) | | | | | | |
| | 15 | 1 | 183-6318 | 1 | TUBE AS | | | | | | |
| | 16 | 1 | 189-5601 | 1 | SEAL-O-RING | | | | | | |
| | 17 | 1 | 216-8625 | 1 | PUMP AS-ENGINE OIL | | | | | | |
| C | 18 | 1 | 257-7637 | 1 | TUBE-OIL | | | | | | |

C-CHANGE FROM PREVIOUS TYPE

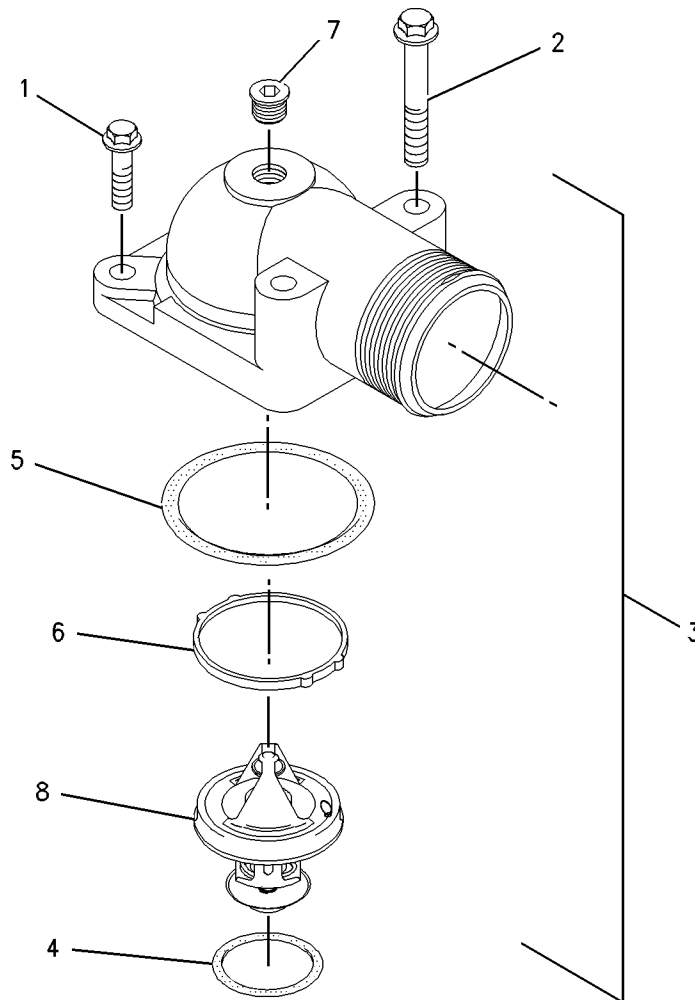
COOLING SYSTEM

220-6144 CONNECTION GP-WATER AN ATTACHMENT

SMCS-1380

i02368896

| NOTE | REF NO | GRAPHIC REF | PART NUMBER | QTY | PART NAME | | | | | | SEE PAGE |
|------|--------|-------------|-------------|-----|-----------------------------|---|---|---|---|-------------------|----------|
| | | | | | 1 | 2 | 3 | 4 | 5 | 6 (PRODUCT LEVEL) | |
| | 1 | 1 | 6I-0260 | 1 | BOLT (M8X1.25X25-MM) | | | | | | |
| | 2 | 1 | 6I-4374 | 1 | BOLT | | | | | | |
| | 3 | 1 | 216-9743 | 1 | CONNECTION AS | | | | | | |
| | 4 | 1 | 140-7515 | 1 | SEAL-O-RING (REGULATOR) | | | | | | |
| | 5 | 1 | 141-6188 | 1 | SEAL (HOUSING, REGULATOR) | | | | | | |
| | 6 | 1 | 162-0236 | 1 | RING | | | | | | |
| | 7 | 1 | 162-0237 | 1 | PLUG | | | | | | |
| | 8 | 1 | 216-9737 | 1 | REGULATOR-WATER TEMPERATURE | | | | | | |



GRAPHIC #1

<END>

g00899163

COOLING SYSTEM

233-2639 COOLER GP-FLTR BASE & ENG OIL

ALSO AN ATTACHMENT

SMCS-1306, 1378

i02369094

| NOTE | REF NO | GRAPHIC REF | PART NUMBER | QTY | PART NAME | | | | | | SEE PAGE |
|------|--------|-------------|-----------------|-----|--------------------------|---|---|---|---|-------------------|----------|
| | | | | | 1 | 2 | 3 | 4 | 5 | 6 (PRODUCT LEVEL) | |
| | 1 | 1 | 6I-0260 | 2 | BOLT (M8X1.25X25-MM) | | | | | | |
| | 2 | 1 | 6I-0291 | 4 | NUT (M8X1.25-THD) | | | | | | |
| | 3 | 1 | 6I-0593 | 4 | BOLT (M10X1.5X30-MM) | | | | | | |
| | 4 | 1 | 6I-4786 | 1 | GASKET | | | | | | |
| | 5 | 1 | 124-3815 | 14 | BOLT (M8X16X1.25-MM) | | | | | | |
| | 6 | 1 | 140-8783 | 4 | BOLT (M10X45-MM) | | | | | | |
| | 8 | 1 | 162-0761 | 4 | FLANGE | | | | | | |
| J | 9 | 1 | 162-9754 | 2 | SEAL | | | | | | |
| | 10 | 1 | 175-3915 | 1 | COOLER-ENGINE OIL | | | | | | |
| | 11 | 1 | 216-9637 | 1 | HOUSING | | | | | | |
| J | 12 | 1 | 216-9638 | 1 | GASKET | | | | | | |
| J | 13 | 1 | 216-9643 | 2 | GASKET | | | | | | |
| | 14 | 1 | 220-7171 | 1 | ADAPTER-HOUSING | | | | | | |
| J | 15 | 1 | 230-3776 | 2 | SEAL | | | | | | |
| | 16 | 1 | 231-8047 | 1 | HOSE AS | | | | | | |
| | 17 | 1 | 231-8048 | 1 | HOSE AS | | | | | | |
| | 17A | 1 | 166-8725 | 1 | CLIP | | | | | | |
| | 18 | 1 | 233-2673 | 1 | HEAD AS-OIL FILTER | | | | | | |
| | 18A | 1 | 7M-7410 | 1 | PLUG-PIPE | | | | | | |
| | 18B | 1 | 118-9145 | 2 | CONNECTOR | | | | | | |
| | 18C | 1 | 219-1818 | 1 | CONNECTION | | | | | | |
| | | | | | | | | | | | |
| F | | | 154-8055 | 1 | HOSE | | | | | | |
| | | | | | AVAILABLE REPAIR KIT(S): | | | | | | |
| J | | | 219-2172 | 1 | KIT-REPAIR (OIL COOLER) | | | | | | |

F - NOT SHOWN

J - KIT MARKED J INCLUDES PARTS MARKED J

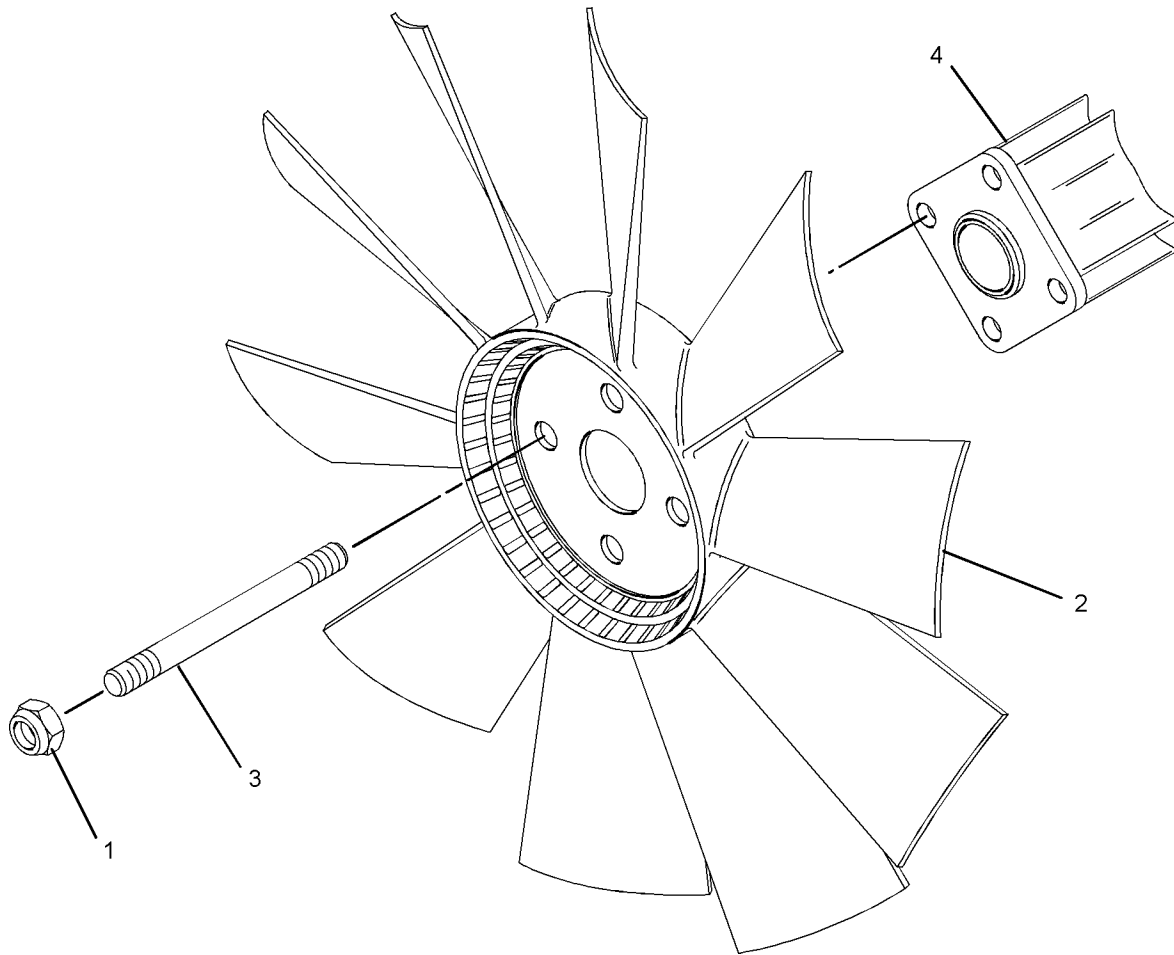
COOLING SYSTEM

245-2753 FAN GP-SUCTION

SMCS-1356

i02052456

| NOTE | REF NO | GRAPHIC REF | PART NUMBER | QTY | PART NAME | | | | | | SEE PAGE |
|------|--------|-------------|-------------|-----|--------------------------|---|---|---|---|-------------------|----------|
| | | | | | 1 | 2 | 3 | 4 | 5 | 6 (PRODUCT LEVEL) | |
| | 1 | 1 | 113-6349 | 4 | NUT (M12-1.75X93-MM THD) | | | | | | |
| | 2 | 1 | 114-2474 | 1 | FAN | | | | | | |
| | 3 | 1 | 135-6362 | 4 | STUD | | | | | | |
| | 4 | 1 | 135-6363 | 1 | EXTENSION-FAN | | | | | | |



GRAPHIC #1

<END>

g01088909

COOLING SYSTEM

236-7768 RADIATOR GP

S/N: 3561-1521

SMCS-1353

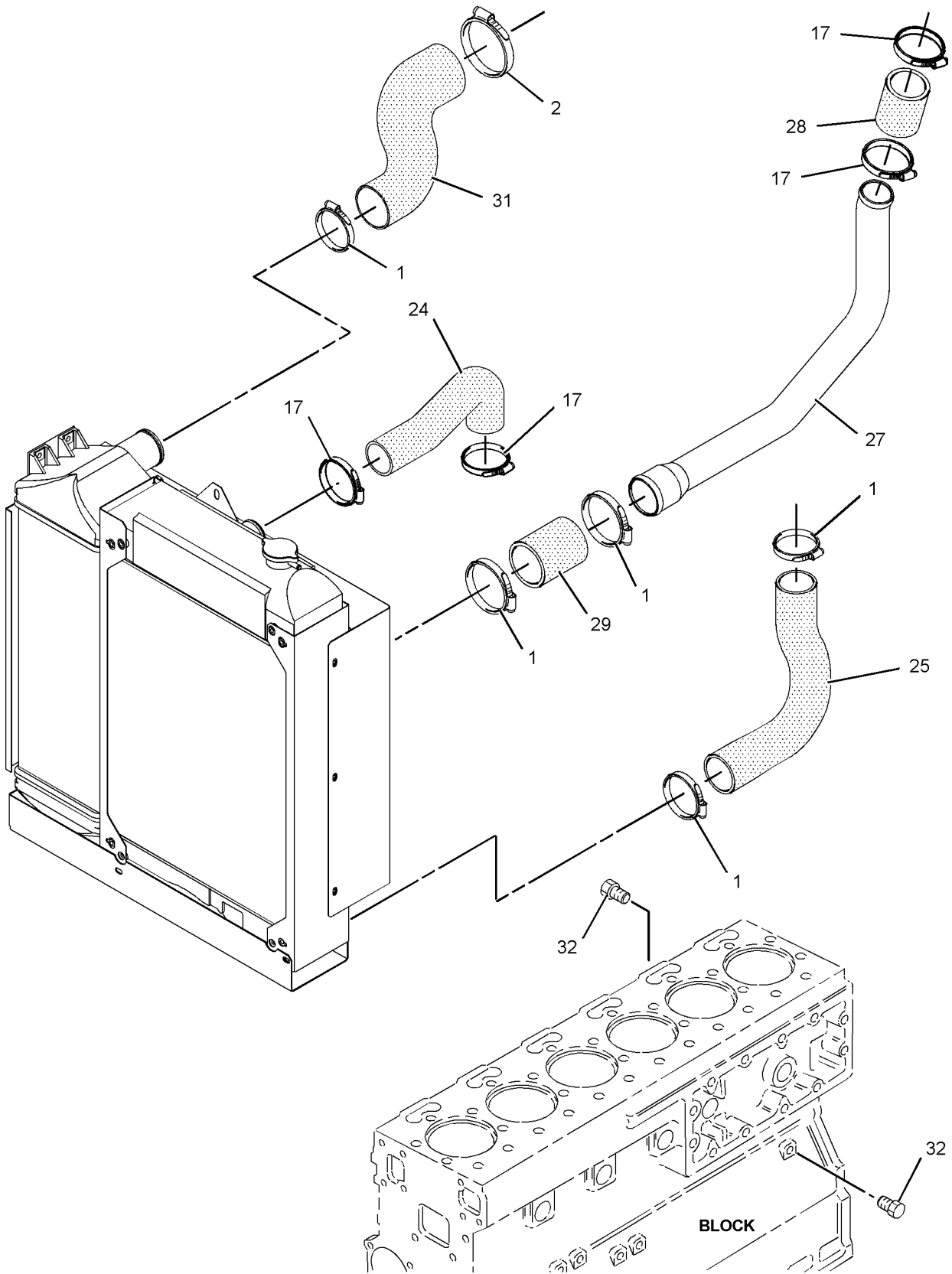
i02204309

| NOTE | REF NO | GRAPHIC REF | PART NUMBER | QTY | PART NAME | | | | | | SEE PAGE |
|------|--------|-------------|-------------|-----|-----------------------|---|---|---|---|-------------------|----------|
| | | | | | 1 | 2 | 3 | 4 | 5 | 6 (PRODUCT LEVEL) | |
| | 1 | 2 | 5P-0597 | 5 | CLAMP-HOSE | | | | | | |
| | 2 | 2 | 5P-0598 | 1 | CLAMP | | | | | | |
| | 3 | 1 | 6I-0260 | 1 | BOLT (M8X1.25X25-MM) | | | | | | |
| | 4 | 1 | 6I-0291 | 1 | NUT (M8X1.25-THD) | | | | | | |
| | 5 | 1 | 6I-0654 | 2 | BOLT (M10X1.5X25-MM) | | | | | | |
| | 6 | 1 | 7W-2601 | 2 | SPACER | | | | | | |
| | 7 | 3 | 100-4458 | 2 | BOLT (M8X1.25X14-MM) | | | | | | |
| | 8 | 1 | 100-4461 | 2 | BOLT (M10X50-MM) | | | | | | |
| | 9 | 1 | 101-3917 | 2 | WASHER | | | | | | |
| | 10 | 1 | 101-7538 | 2 | MOUNT | | | | | | |
| | 11 | 1 | 101-7540 | 2 | WASHER | | | | | | |
| | 12 | 1 | 101-7541 | 4 | BOLT | | | | | | |
| | 13 | 1 | 101-7546 | 1 | MOUNT | | | | | | |
| | 14 | 1 | 101-7547 | 2 | WASHER | | | | | | |
| | 15 | 1 | 103-6720 | 2 | NUT | | | | | | |
| | 16 | 2 | 141-1667 | 4 | CLAMP-HOSE | | | | | | |
| | 17 | 1 | 146-7737 | 8 | BOLT | | | | | | |
| | 18 | 3 | 257-6957 | 1 | GUARD | | | | | | |
| | 19 | 3 | 257-6958 | 1 | GUARD | | | | | | |
| | 20 | 1 | 236-7706 | 1 | BRACKET | | | | | | |
| | 21 | 1 | 236-7707 | 1 | BRACKET | | | | | | |
| | 22 | 2 | 236-7722 | 1 | HOSE-RADIATOR (UPPER) | | | | | | |
| | 23 | 2 | 236-7723 | 1 | HOSE-RADIATOR (LOWER) | | | | | | |
| | 24 | 1 | 236-7725 | 1 | BRACKET-MOUNTING | | | | | | |
| | 25 | 2 | 236-7732 | 1 | TUBE | | | | | | |
| | 26 | 2 | 236-7734 | 1 | HOSE (AFTERCOOLER) | | | | | | |
| | 27 | 2 | 236-7735 | 1 | HOSE (AFTERCOOLER) | | | | | | |
| | 28 | 3 | 236-7766 | 1 | RADIATOR AS | | | | | | |
| | 28A | 3 | 114-4363 | 12 | BOLT (M8X1.25X12-MM) | | | | | | |
| | 28B | 3 | 236-7760 | 1 | GUARD-RADIATOR | | | | | | |
| | 28C | 3 | 236-7763 | 1 | BRACKET-MOUNTING | | | | | | |
| | 28D | 3 | 236-7764 | 1 | CAP-RADIATOR | | | | | | |
| | 28E | 3 | 236-7765 | 1 | PLUG (RADIATOR DRAIN) | | | | | | |
| | 29 | 2 | 236-7776 | 1 | HOSE (AFTERCOOLER) | | | | | | |

COOLING SYSTEM

236-8085 RADIATOR GP (contd.)

i02188359



GRAPHIC #2

g01082972

COOLING SYSTEM

241-7646 RADIATOR GP

SMCS - 1353

i02188368

| NOTE | REF NO | GRAPHIC REF | PART NUMBER | QTY | PART NAME | | | | | | SEE PAGE |
|------|--------|-------------|-----------------|-----|-----------------------|---|---|---|---|-------------------|----------|
| | | | | | 1 | 2 | 3 | 4 | 5 | 6 (PRODUCT LEVEL) | |
| | 1 | 2 | 5P-0597 | 5 | CLAMP-HOSE | | | | | | |
| | 2 | 2 | 5P-0598 | 2 | CLAMP | | | | | | |
| | 3 | 1 | 6I-0260 | 1 | BOLT (M8X1.25X25-MM) | | | | | | |
| | 4 | 1 | 6I-0291 | 1 | NUT (M8X1.25-THD) | | | | | | |
| | 5 | 1 | 6I-0654 | 2 | BOLT (M10X1.5X25-MM) | | | | | | |
| | 6 | 1 | 7W-2601 | 2 | SPACER | | | | | | |
| | 7 | 1 | 100-4461 | 2 | BOLT (M10X50-MM) | | | | | | |
| | 8 | 1 | 101-3917 | 2 | WASHER | | | | | | |
| | 9 | 1 | 101-7538 | 2 | MOUNT | | | | | | |
| | 10 | 1 | 101-7540 | 2 | WASHER | | | | | | |
| | 11 | 1 | 101-7541 | 4 | BOLT | | | | | | |
| | 12 | 1 | 101-7546 | 1 | MOUNT | | | | | | |
| | 13 | 1 | 101-7547 | 2 | WASHER | | | | | | |
| | 14 | 1 | 103-6720 | 2 | NUT | | | | | | |
| | 15 | 2 | 141-1667 | 2 | CLAMP-HOSE | | | | | | |
| | 16 | 1 | 146-7737 | 8 | BOLT | | | | | | |
| | 17 | 1 | 236-7706 | 1 | BRACKET | | | | | | |
| | 18 | 1 | 236-7707 | 1 | BRACKET | | | | | | |
| | 19 | 2 | 236-7722 | 1 | HOSE-RADIATOR (UPPER) | | | | | | |
| | 20 | 2 | 236-7723 | 1 | HOSE-RADIATOR (LOWER) | | | | | | |
| | 21 | 1 | 236-7725 | 1 | BRACKET-MOUNTING | | | | | | |
| | 22 | 2 | 236-7732 | 1 | TUBE | | | | | | |
| | 23 | 2 | 236-7734 | 1 | HOSE (AFTERCOOLER) | | | | | | |
| | 24 | 2 | 236-7735 | 1 | HOSE (AFTERCOOLER) | | | | | | |
| | 25 | 3 | 236-7766 | 1 | RADIATOR AS | | | | | | |
| | 25A | 3 | 114-4363 | 12 | BOLT (M8X1.25X12-MM) | | | | | | |
| | 25B | 3 | 236-7760 | 1 | GUARD-RADIATOR | | | | | | |
| | 25C | 3 | 236-7763 | 1 | BRACKET-MOUNTING | | | | | | |
| | 25D | 3 | 236-7764 | 1 | CAP-RADIATOR | | | | | | |
| | 25E | 3 | 236-7765 | 1 | PLUG (RADIATOR DRAIN) | | | | | | |
| | 26 | 2 | 236-7776 | 1 | HOSE (AFTERCOOLER) | | | | | | |
| | 27 | 2 | 069-1124 | 2 | PLUG | | | | | | |

AIR INLET AND EXHAUST SYSTEM

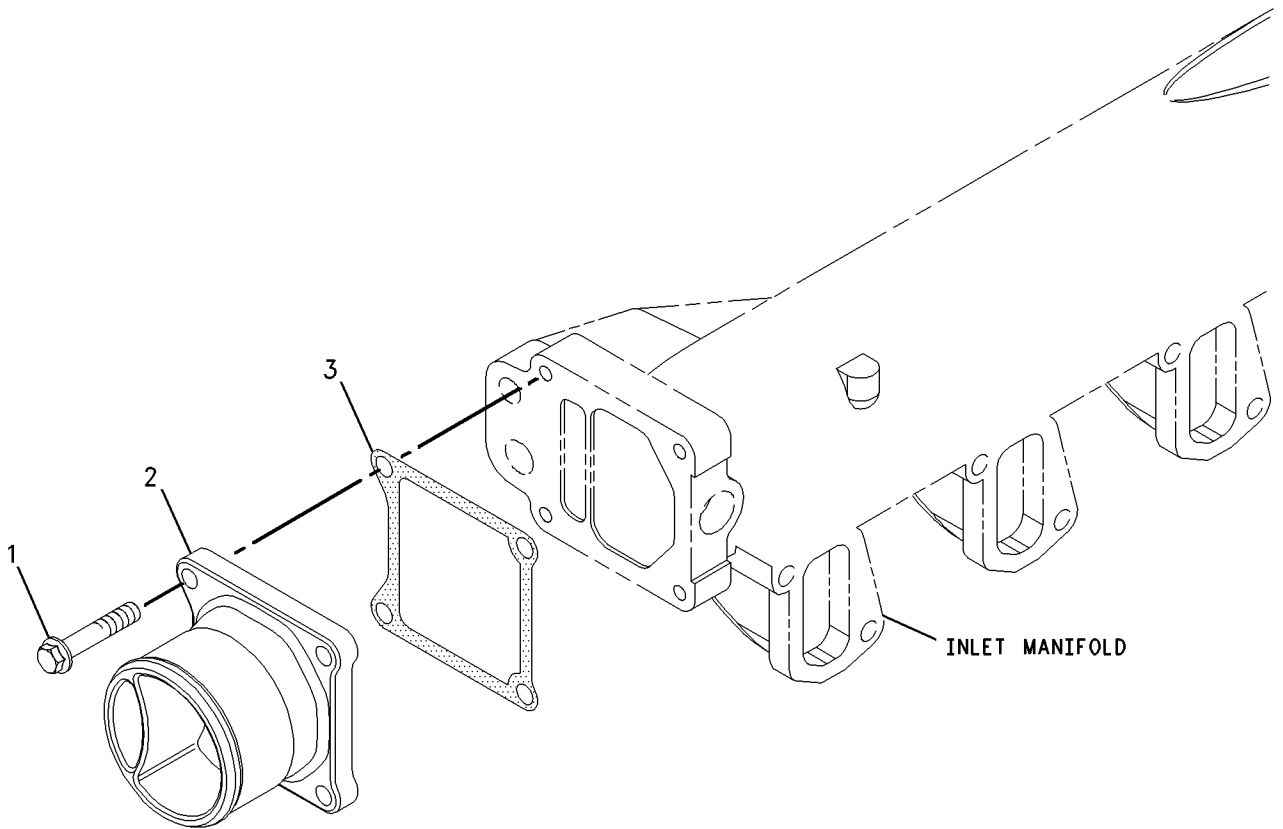
217-0594 ELBOW GP-AIR INLET

ALSO AN ATTACHMENT

SMCS - 1087

i01725034

| NOTE | REF NO | GRAPHIC REF | PART NUMBER | QTY | PART NAME | | | | | | SEE PAGE |
|------|--------|-------------|-----------------|-----|---------------------|---|---|---|---|-------------------|----------|
| | | | | | 1 | 2 | 3 | 4 | 5 | 6 (PRODUCT LEVEL) | |
| | 1 | 1 | 6I-0260 | 4 | BOLT (M8X1.25X25MM) | | | | | | |
| | 2 | 1 | 217-0595 | 1 | CONNECTOR | | | | | | |
| | 3 | 1 | 217-0596 | 1 | GASKET | | | | | | |



GRAPHIC #1

<END>

g00859961

AIR INLET AND EXHAUST SYSTEM

226-3578 TURBOCHARGER GP

ALSO AN ATTACHMENT

SMCS-1052, 1053

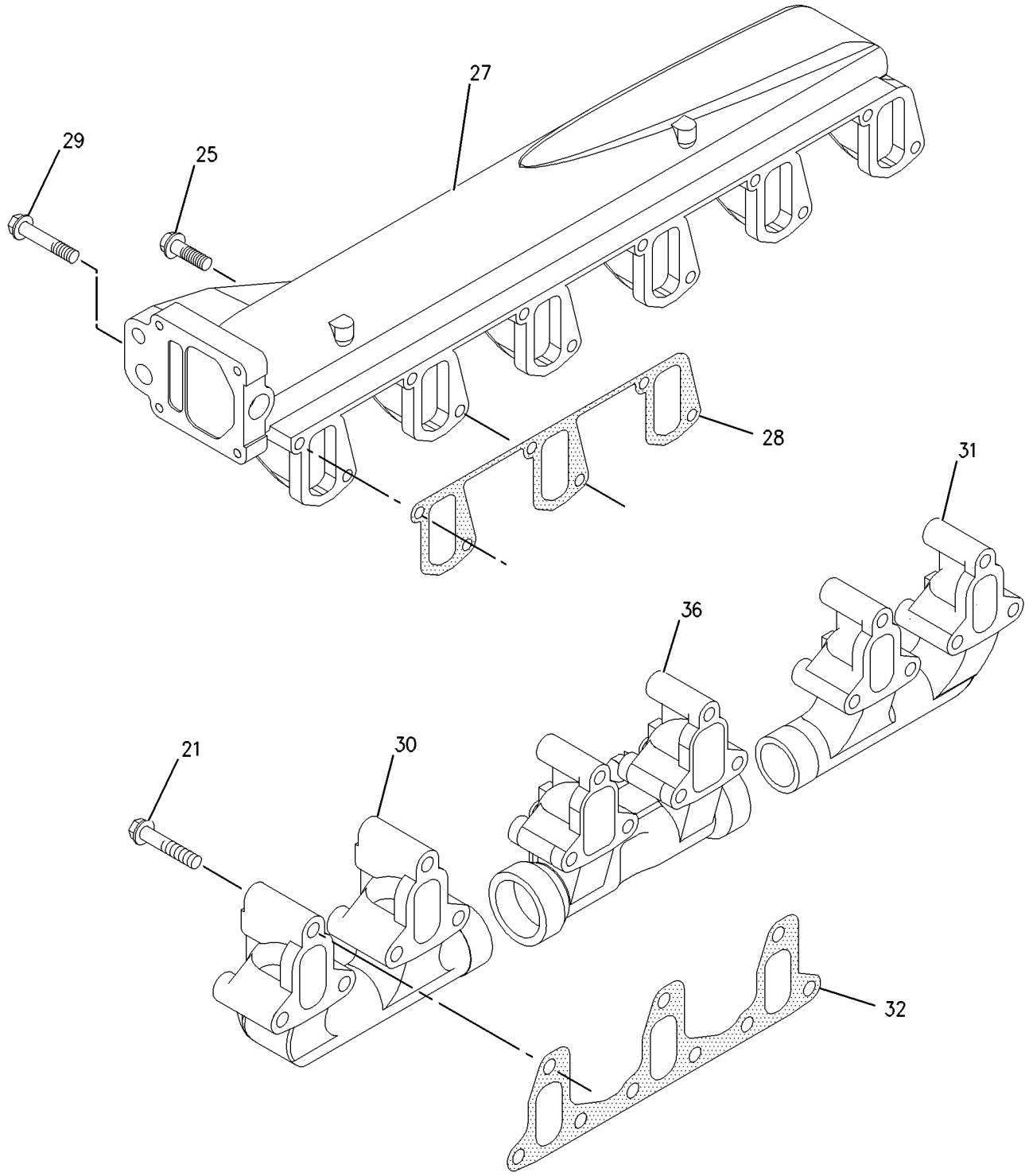
i02347429

| NOTE | REF NO | GRAPHIC REF | PART NUMBER | QTY | PART NAME | | | | | | SEE PAGE |
|------|--------|-------------|-------------|-----|----------------------|---|---|---|---|-------------------|----------|
| | | | | | 1 | 2 | 3 | 4 | 5 | 6 (PRODUCT LEVEL) | |
| | 1 | 2 | 226-3577 | 1 | MANIFOLD-EXHAUST | | | | | | |
| | 2 | 1 | 5D-1026 | 2 | CLAMP-HOSE | | | | | | |
| | 3 | 1 | 6I-0217 | 4 | BOLT (M8X1.25X20-MM) | | | | | | |
| | 4 | 1 | 6I-1132 | 1 | GASKET | | | | | | |
| | 5 | 1 | 226-3575 | 1 | TUBE AS | | | | | | |
| | 6 | 1 | 7W-2628 | 1 | NUT | | | | | | |
| | 7 | 1 | 032-8048 | 1 | OLIVE | | | | | | |
| | 8 | 1 | 226-3574 | 1 | TUBE AS | | | | | | |
| | 9 | 1 | 226-3572 | 1 | TURBOCHARGER GP | | | | | | |
| | 10 | 2 | 216-8712 | 2 | GASKET-MANIFOLD | | | | | | |
| | 11 | 1 | 100-4466 | 1 | GASKET | | | | | | |
| | 12 | 2 | 216-8710 | 1 | MANIFOLD-EXHAUST | | | | | | |
| | 13 | 2 | 216-8708 | 1 | MANIFOLD-EXHAUST | | | | | | |
| | 14 | 1 | 124-3815 | 3 | BOLT (M8X16X1.25-MM) | | | | | | |
| | 15 | 2 | 216-8705 | 6 | BOLT | | | | | | |
| | 16 | 1 | 6I-0563 | 4 | NUT (M10X1.5-THD) | | | | | | |
| | 17 | 1 | 141-8589 | 1 | GASKET | | | | | | |
| | 18 | 2 | 216-8703 | 2 | GASKET-MANIFOLD | | | | | | |
| | 19 | 2 | 216-8699 | 1 | MANIFOLD-INLET | | | | | | |
| | 20 | 1 | 141-9777 | 1 | HEAT SHIELD | | | | | | |
| | 21 | 2 | 238-8292 | 18 | BOLT-FLANGE HEAD | | | | | | |
| | 22 | 1 | 147-5553 | 4 | STUD | | | | | | |
| | 23 | 2 | 162-1504 | 6 | BOLT | | | | | | |
| | 24 | 1 | 160-0149 | 1 | HOSE | | | | | | |

AIR INLET AND EXHAUST SYSTEM

233-8649 TURBOCHARGER GP (contd.)

i02347175



GRAPHIC #2

<END>

g00988463

FUEL SYSTEM

217-0109 PUMP GP-FUEL INJECTION

AN ATTACHMENT

SMCS-1251, 1290

i02348079

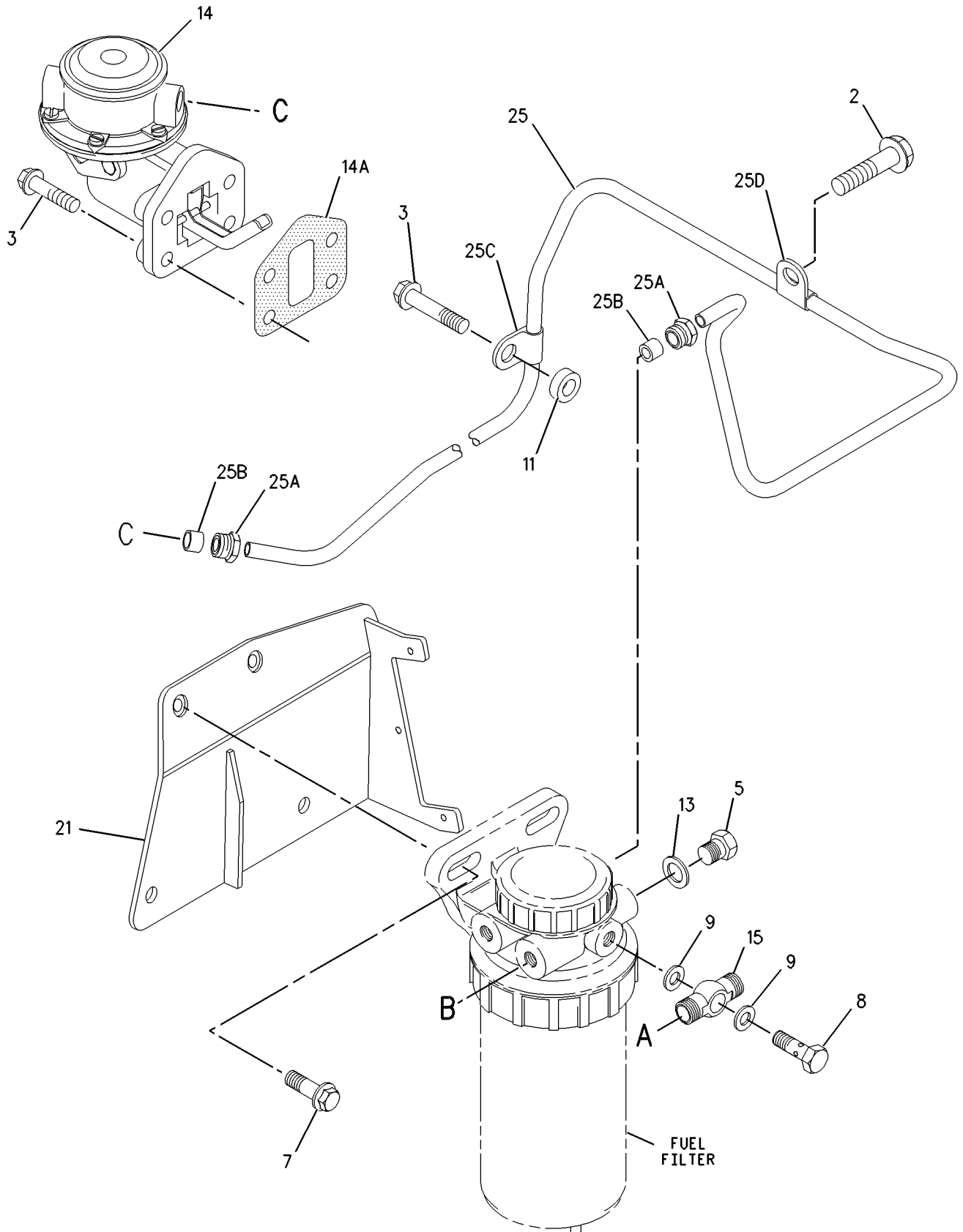
| NOTE | REF NO | GRAPHIC REF | PART NUMBER | QTY | PART NAME | | | | | | SEE PAGE |
|------|--------|-------------|-------------|-----|---|---|---|---|---|-------------------|----------|
| | | | | | 1 | 2 | 3 | 4 | 5 | 6 (PRODUCT LEVEL) | |
| | 1 | 1 | 4B-4277 | 1 | WASHER (8.8X17.5X1.6-MM THK) | | | | | | |
| | 2 | 1 | 6I-0217 | 1 | BOLT (M8X1.25X20-MM) | | | | | | |
| | 3 | 1 | 6I-0291 | 8 | NUT (M8X1.25-THD) | | | | | | |
| | 4 | 1 | 133-7668 | 1 | STUD | | | | | | |
| | 5 | 1 | 228-8960 | 1 | CLIP | | | | | | |
| | 6 | 1 | 228-8963 | 2 | STUD | | | | | | |
| | 7 | 2 | 7M-7410 | 1 | PLUG-PIPE | | | | | | |
| | 8 | 1 | 100-4830 | 1 | BOLT (M10X1.5X20-MM) | | | | | | |
| | 9 | 1 | 124-3708 | 3 | CLIP | | | | | | |
| | 10 | 1 | 228-8956 | 1 | BRACKET | | | | | | |
| | 11 | 1 | 228-8943 | 1 | BRACKET | | | | | | |
| | 12 | 1 | 145-8327 | 1 | SEAL-O-RING | | | | | | |
| | 13 | 2 | 149-2091 | 1 | SEAL-O-RING | | | | | | |
| | 14 | 1 | 101-3877 | 3 | STUD | | | | | | |
| | 15 | 1 | 162-9992 | 3 | CLIP | | | | | | |
| | 16 | 1 | 164-3207 | 6 | WASHER | | | | | | |
| | 17 | 1 | 221-1018 | 1 | CONTROL GP-ENGINE ELECTRONIC | | | | | | |
| M | 18 | 1 | 6V-5217 | 4 | BOLT (M8X1.25X20-MM) | | | | | | |
| | 19 | 1 | 141-8599 | 1 | STUD | | | | | | |
| | 20 | 1,2 | 114-4363 | 3 | BOLT (M8X1.25X12-MM) | | | | | | |
| | 22 | 2 | 216-3448 | 1 | SENSOR GP-PRESSURE (ENGINE OIL) | | | | | | |
| | 23 | 2 | 216-3436 | 1 | SENSOR GP-TEMPERATURE (ENGINE COOLANT) | | | | | | |
| | 24 | 2 | 216-3436 | 1 | SENSOR GP-TEMPERATURE (AIR INLET) | | | | | | |
| | 25 | 2 | 216-3446 | 1 | SENSOR GP-SPEED (TIMING) | | | | | | |
| | 27 | 2 | 199-9252 | 1 | SEAL-O-RING | | | | | | |
| | 28 | 2 | 199-9267 | 1 | SEAL-O-RING | | | | | | |
| | 29 | 2 | 199-9751 | 2 | SEAL-O-RING | | | | | | |
| | 30 | 2 | 216-3450 | 1 | SENSOR GP-PRESSURE (BOOST) | | | | | | |
| | 33 | 1 | 216-9786 | 6 | INJECTOR AS-FUEL | | | | | | |
| | 35 | 1 | 216-9790 | 1 | GEAR (FUEL PUMP) | | | | | | |
| | 37 | 1 | 216-9824 | 1 | PUMP GP-FUEL INJECTION | | | | | | |
| | 38 | 1 | 216-9826 | 1 | TUBE AS (CYL NO.1) | | | | | | |
| | 39 | 1 | 216-9828 | 1 | TUBE AS (CYL NO.2) | | | | | | |
| | 40 | 1 | 216-9830 | 1 | TUBE AS (CYL NO.3) | | | | | | |
| | 41 | 1 | 216-9831 | 1 | TUBE AS (CYL NO.4) | | | | | | |
| | 42 | 1 | 216-9834 | 1 | TUBE AS (CYL NO.5) | | | | | | |
| | 43 | 1 | 216-9835 | 1 | TUBE AS (CYL NO.6) | | | | | | |
| | 44 | 1 | 155-0576 | 8 | MOUNT-ISOLATION | | | | | | |
| | 45 | 1 | 217-0099 | 7 | SPACER (8.2X25X2-MM THK) | | | | | | |
| | 46 | 1 | 217-0100 | 4 | SPACER | | | | | | |
| | 50 | 1 | 270-5322 | 1 | CONTROL GP-VOLTAGE (24-VOLT) (LOAD PROTECTION) | | | | | | |
| | | 1 | 1S-9593 | 2 | STRAP-CABLE | | | | | | |
| | | 1 | 7T-0093 | 4 | PIN-CONNECTOR | | | | | | |
| | | 1 | 177-9653 | 1 | KIT-RECEPTACLE (4-PIN) | | | | | | |

M-METRIC PART

FUEL SYSTEM

219-2455 PUMP GP-FUEL TRANSFER (contd.)

i02062542



GRAPHIC #2

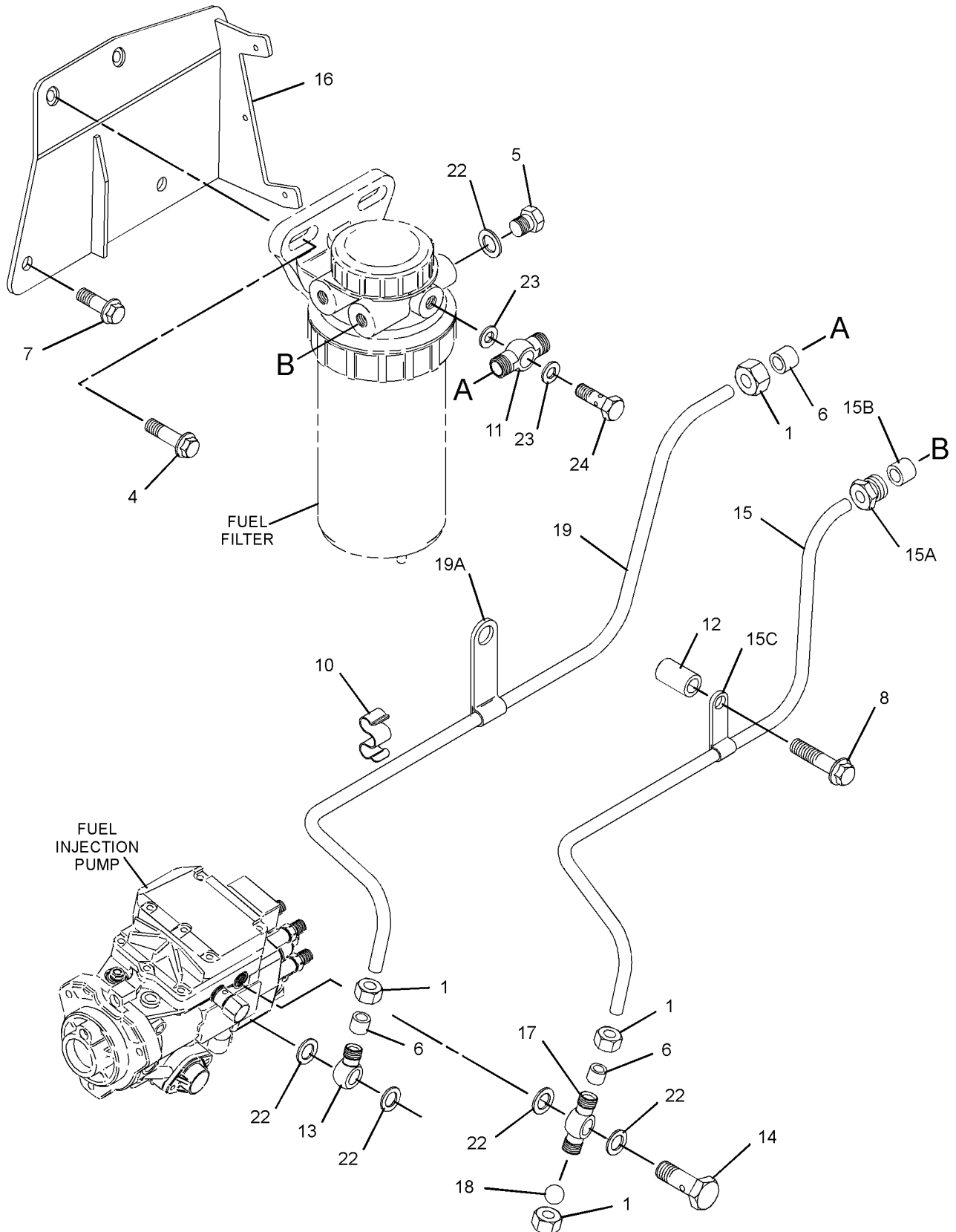
<END>

g01002648

FUEL SYSTEM

272-5732 PUMP GP-FUEL TRANSFER (contd.)

i02307620



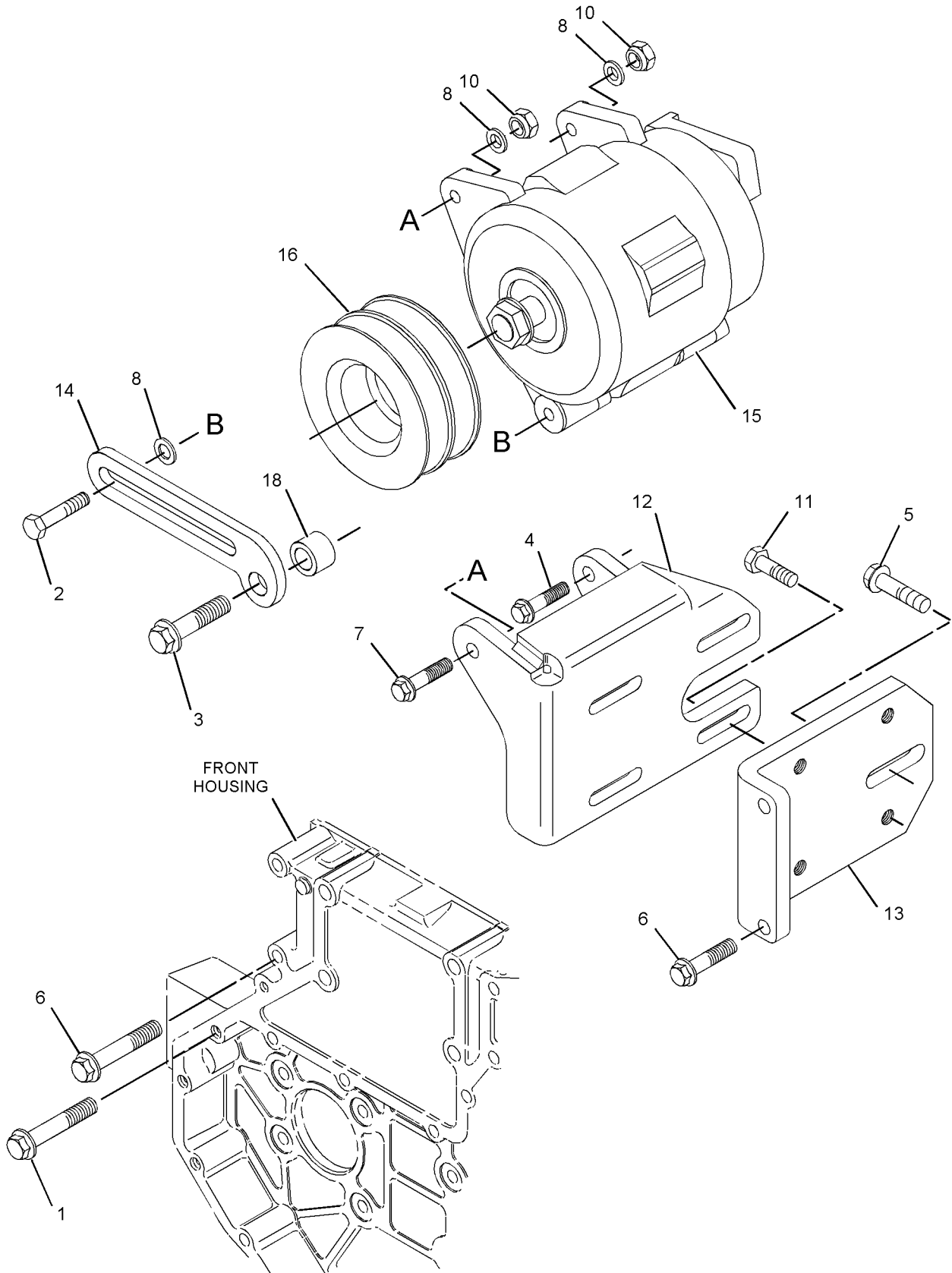
GRAPHIC #1

g01168663

ELECTRICAL AND STARTING SYSTEM

233-8647 ALTERNATOR GP-CHARGING (contd.)

i02225489



GRAPHIC #1

<END>

g01126139

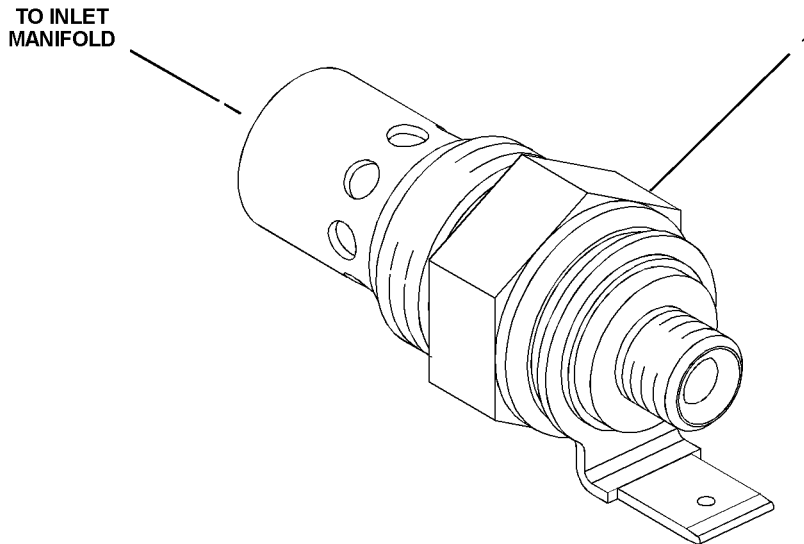
ELECTRICAL AND STARTING SYSTEM

228-7461 STARTING AID GP-AIR INLET HEATER 12 VOLT ALSO AN ATTACHMENT

SMCS-1090

i02135299

| NOTE | REF NO | GRAPHIC REF | PART NUMBER | QTY | PART NAME | | | | | | SEE PAGE |
|---------------|--------|-------------|-------------|-----|-----------------------|---|---|---|---|-------------------|----------|
| | | | | | 1 | 2 | 3 | 4 | 5 | 6 (PRODUCT LEVEL) | |
| | 1 | 1 | 252-4460 | 1 | HEATER AS (AIR INLET) | | | | | | |
| F | | 1 | 246-3263 | 1 | LOCKWASHER | | | | | | |
| F - NOT SHOWN | | | | | | | | | | | |



GRAPHIC #1

<END>

g01082053

ELECTRICAL AND STARTING SYSTEM

226-3490 STARTING MOTOR GP-ELECTRIC

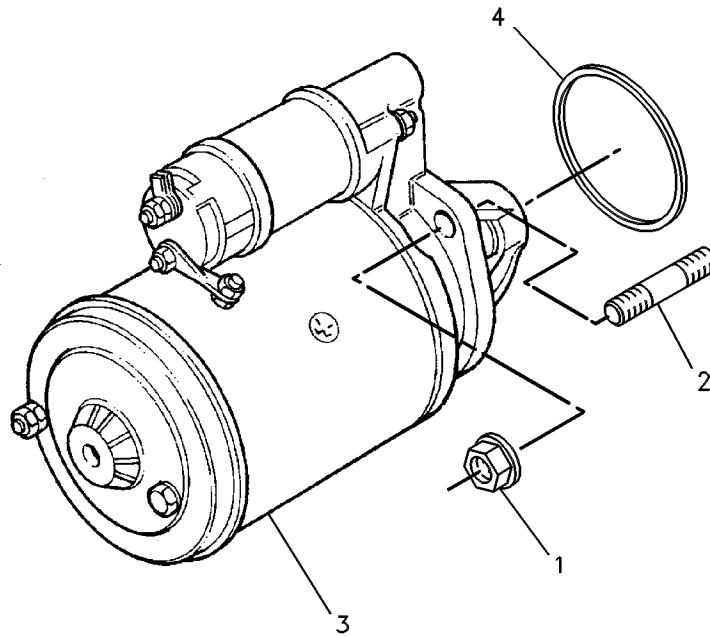
24 VOLT
AN ATTACHMENT

SMCS-1453

i01773228

| NOTE | REF NO | GRAPHIC REF | PART NUMBER | QTY | PART NAME | | | | | | SEE PAGE |
|------|--------|-------------|-------------|-----|----------------------------|---|---|---|---|-------------------|----------|
| | | | | | 1 | 2 | 3 | 4 | 5 | 6 (PRODUCT LEVEL) | |
| | 1 | 1 | 6I-0594 | 3 | NUT (M10X1.5) | | | | | | |
| | 2 | 1 | 6I-4012 | 3 | STUD | | | | | | |
| R | 3 | 1 | 109-2361 | 1 | STARTING MOTOR GP-ELECTRIC | | | | | | |
| | 4 | 1 | 113-8085 | 1 | RING | | | | | | |

R-REMFG PART MAY BE AVAILABLE



GRAPHIC #1

<END>

g00238555

ELECTRICAL AND STARTING SYSTEM

235-4642 WIRING GP-ELECTRONIC CONTROL

S/N: 3561-1554

SMCS-1408, 1900

i01977771

| NOTE | REF NO | GRAPHIC REF | PART NUMBER | QTY | PART NAME | | | | | | SEE PAGE |
|------|--------|-------------|-------------|-----|----------------------|---|---|---|---|-------------------|----------|
| | | | | | 1 | 2 | 3 | 4 | 5 | 6 (PRODUCT LEVEL) | |
| | 1 | 1 | 100-4458 | 3 | BOLT (M8X1.25X14-MM) | | | | | | |
| | 2 | 1 | 100-4830 | 2 | BOLT (M10X1.5X20-MM) | | | | | | |
| | 3 | 1 | 124-3815 | 1 | BOLT (M8X16X1.25-MM) | | | | | | |
| | 4 | 1 | 140-8783 | 1 | BOLT (M10X45-MM) | | | | | | |
| | 5 | 1 | 216-9086 | 1 | SPACER | | | | | | |
| | 6 | 1 | 217-8477 | 2 | CLIP | | | | | | |
| | 7 | 1 | 217-9038 | 3 | BOLT | | | | | | |
| | 8 | 1 | 217-9041 | 1 | BRACKET-MOUNTING | | | | | | |
| | 9 | 1 | 224-8636 | 1 | HARNESS AS | | | | | | |
| | 10 | 1 | 226-8778 | 1 | BRACKET (HARNESS) | | | | | | |
| | 11 | 1 | 226-8780 | 1 | BRACKET (WIRING) | | | | | | |
| | 12 | 1 | 228-7477 | 1 | CLIP | | | | | | |

ELECTRICAL AND STARTING SYSTEM

242-0243 WIRING GP-ELECTRONIC CONTROL

S/N: 3561-1554

SMCS-1408, 1900

i02050088

| NOTE | REF NO | GRAPHIC REF | PART NUMBER | QTY | PART NAME | | | | | | SEE PAGE |
|------|--------|-------------|-------------|-----|----------------------|---|---|---|---|-------------------|----------|
| | | | | | 1 | 2 | 3 | 4 | 5 | 6 (PRODUCT LEVEL) | |
| | 1 | 1 | 100-4458 | 3 | BOLT (M8X1.25X14-MM) | | | | | | |
| | 2 | 1 | 114-4363 | 1 | BOLT (M8X1.25X12-MM) | | | | | | |
| | 3 | 1 | 140-8783 | 1 | BOLT (M10X45-MM) | | | | | | |
| | 4 | 1 | 216-9086 | 1 | SPACER | | | | | | |
| | 5 | 1 | 217-8477 | 2 | CLIP | | | | | | |
| | 6 | 1 | 217-9038 | 3 | BOLT | | | | | | |
| | 7 | 1 | 217-9039 | 1 | STRAP-CABLE | | | | | | |
| | 8 | 1 | 224-8638 | 1 | HARNESS AS | | | | | | |
| | 9 | 1 | 226-8778 | 1 | BRACKET | | | | | | |
| | 10 | 1 | 226-8780 | 1 | BRACKET | | | | | | |
| | 11 | 1 | 228-7477 | 1 | CLIP | | | | | | |

ELECTRICAL AND STARTING SYSTEM

228-7487 WIRING GP-ENGINE

S/N: 3561555-UP

ALSO AN ATTACHMENT

SMCS-1000, 1408

i02214659

| NOTE | REF NO | GRAPHIC REF | PART NUMBER | QTY | PART NAME | | | | | | SEE PAGE |
|------|--------|-------------|-------------|-----|----------------------------|---|---|---|---|-------------------|----------|
| | | | | | 1 | 2 | 3 | 4 | 5 | 6 (PRODUCT LEVEL) | |
| | 1 | 1 | 100-4458 | 3 | BOLT (M8X1.25X14-MM) | | | | | | |
| | 2 | 1 | 114-4363 | 1 | BOLT (M8X1.25X12-MM) | | | | | | |
| | 3 | 1 | 140-8783 | 1 | BOLT (M10X45-MM) | | | | | | |
| | 4 | 1 | 216-9086 | 1 | SPACER (10.5X20X32-MM THK) | | | | | | |
| | 5 | 1 | 217-8477 | 2 | CLIP | | | | | | |
| | 6 | 1 | 217-9038 | 2 | BOLT (M4X0.7X14-MM) | | | | | | |
| | 7 | 1 | 217-9039 | 2 | STRAP-CABLE | | | | | | |
| C | 8 | 1 | 255-3452 | 1 | HARNESS AS | | | | | | |
| | 9 | 1 | 226-8778 | 1 | BRACKET | | | | | | |
| | 10 | 1 | 226-8780 | 1 | BRACKET | | | | | | |
| | 11 | 1 | 228-7477 | 1 | CLIP | | | | | | |

C-CHANGE FROM PREVIOUS TYPE

PART NUMBER INDEX

| Part | Page | Part | Page | Part | Page | Part | Page |
|--------------------|------|--------------------|------|--------------------|------|--------------------|------|
| | 345 | | 349 | | 109 | | 249 |
| | 349 | | 353 | | 111 | | 251 |
| | 353 | | 357 | | 113 | 113-5282 | 235 |
| | 357 | 104-2086 | 363 | | 115 | | 237 |
| 101-7547 | 337 | | 365 | | 117 | | 249 |
| | 341 | 104-2088 | 363 | | 119 | | 251 |
| | 345 | | 365 | | 121 | 113-6349 | 183 |
| | 349 | 105-3154 | 63 | | 123 | | 184 |
| | 353 | | 65 | | 127 | | 321 |
| | 357 | | 67 | | 129 | | 322 |
| 102-1957 | 200 | | 69 | | 131 | | 323 |
| | 201 | | 71 | | 133 | | 324 |
| 102-2073 | 164 | | 73 | | 135 | | 325 |
| | 168 | | 75 | | 137 | | 326 |
| | 170 | | 77 | | 139 | | 327 |
| | 172 | | 79 | | 141 | | 328 |
| 102-2075 | 168 | 106-8916 | 290 | | 153 | | 442 |
| | 170 | | 293 | 113-1505 | 83 | | 444 |
| 102-2076 | 164 | | 299 | | 85 | | 446 |
| | 168 | | 301 | | 87 | | 448 |
| | 170 | 107-2554 | 282 | | 89 | | 450 |
| 102-2078 | 164 | 109-2361 | 467 | | 91 | 113-7130 | 181 |
| | 168 | 110-2938 | 44 | | 93 | 113-7543 | 187 |
| | 170 | | ▶229 | | 95 | | 188 |
| 102-2079 | 164 | 111-1815 | 160 | | 97 | 113-7912 | 221 |
| | 168 | 111-5767 | 321 | | 99 | | 223 |
| | 170 | 111-8222 | 82 | | 101 | 113-7913 | 220 |
| 102-9460 | 219 | | 313 | | 103 | | 221 |
| | 220 | 112-2370 | 293 | | 105 | | 223 |
| | 277 | 112-7702 | 290 | | 107 | | 278 |
| | 278 | | 293 | | 109 | 113-8067 | 172 |
| | 279 | | 295 | | 111 | 113-8071 | 172 |
| 102-9941 | 281 | | 297 | | 113 | 113-8075 | 172 |
| | 282 | 112-7704 | 87 | | 115 | 113-8076 | 172 |
| 102-9986 | 419 | | 89 | | 117 | 113-8077 | 172 |
| | 422 | | 91 | | 119 | 113-8084 | 129 |
| | 425 | | 93 | | 125 | | 131 |
| | 428 | | 95 | | 127 | | 133 |
| | 431 | | 99 | | 139 | | 135 |
| | 434 | | 101 | | 141 | | 137 |
| | 436 | | 103 | | 143 | | 153 |
| 102-9987 | 422 | | 105 | | 145 | 113-8085 | 467 |
| | 425 | | 107 | | 147 | 113-8126 | 243 |
| | 428 | | 109 | | 149 | 113-8127 | 231 |
| | 436 | | 111 | | 151 | | 233 |
| 102-9988 | 419 | | 113 | | 214 | | 243 |
| | 422 | | 115 | 113-4608 | 69 | | 261 |
| | 425 | | 117 | | 79 | 113-8129 | 231 |
| | 428 | | 121 | 113-4616 | 63 | | 233 |
| | 431 | | 123 | | 65 | | 243 |
| | 436 | | 129 | | 67 | | 261 |
| 103-0050 | 178 | | 131 | | 69 | 113-8130 | 231 |
| 103-1074 | 413 | | 133 | | 71 | | 233 |
| 103-1076 | 385 | | 143 | | 73 | | 235 |
| 103-5687 | 176 | | 145 | | 75 | | 237 |
| | 182 | | 147 | | 77 | | 239 |
| 103-5706 | 325 | | 293 | | 79 | | 243 |
| 103-5916 | 325 | | 299 | 113-5280 | 235 | | 249 |
| 103-6131 | 191 | 113-1504 | 83 | | 237 | | 251 |
| | 192 | | 85 | | 239 | | 261 |
| 103-6132 | 191 | | 87 | | 249 | 113-8131 | 231 |
| 103-6134 | 179 | | 89 | | 251 | | 233 |
| 103-6720 | 337 | | 91 | 113-5281 | 235 | | 243 |
| | 341 | | 93 | | 237 | | 261 |
| | 345 | | 95 | | 239 | 113-8133 | 231 |

PART NUMBER INDEX

| Part | Page | Part | Page | Part | Page | Part | Page |
|--------------------|------|--------------------|------|--------------------|------|--------------------|------|
| | 497 | | 53 | | 13 | | 30 |
| 226-8780 | 471 | | ▶189 | | 15 | | 31 |
| | 473 | 228-7333 | 31 | | 19 | | 36 |
| | 475 | | 53 | | 20 | | 37 |
| | 477 | | ▶468 | | 24 | | 38 |
| | 479 | 228-7361 | 31 | | 31 | | 39 |
| | 481 | | 53 | | 49 | | 40 |
| | 484 | | ▶173 | | 50 | | 41 |
| | 487 | 228-7362 | 245 | | 51 | | 43 |
| | 489 | | 249 | | 53 | | 44 |
| | 491 | | 261 | | 54 | | 45 |
| | 493 | 228-7363 | 31 | | 59 | | 46 |
| | 495 | | 50 | | ▶185 | | 47 |
| | 497 | | 51 | 228-7461 | 4 | | 48 |
| 227-5897 | 5 | | 53 | | 6 | | 49 |
| | 18 | | ▶245 | | 12 | | 50 |
| | 20 | 228-7371 | 10 | | 14 | | 51 |
| 228-4647 | ▶36 | | 18 | | 16 | | 53 |
| 228-4648 | ▶37 | | 19 | | 17 | | 54 |
| 228-4649 | ▶38 | | 22 | | 25 | | 58 |
| 228-4650 | ▶39 | | 25 | | 29 | | 59 |
| 228-4651 | ▶40 | | 27 | | 30 | | 61 |
| 228-4652 | ▶41 | | 31 | | 31 | | ▶217 |
| 228-6941 | ▶1 | | 49 | | 36 | 228-7465 | 31 |
| | 2 | | ▶97 | | 37 | | 53 |
| | 3 | 228-7387 | 3 | | 38 | | ▶279 |
| | 4 | | 5 | | 39 | 228-7470 | ▶267 |
| | 5 | | 7 | | 40 | 228-7477 | 471 |
| | 6 | | 15 | | 41 | | 477 |
| | 7 | | 31 | | 43 | | 479 |
| | 8 | | 54 | | 44 | | 487 |
| | 9 | | 59 | | 49 | | 489 |
| | 10 | | ▶308 | | 50 | | 491 |
| | 11 | 228-7391 | 442 | | 51 | | 493 |
| | 12 | | 444 | | 53 | | 495 |
| | 13 | | 446 | | 58 | | 497 |
| | 15 | | 448 | | 61 | 228-7487 | 2 |
| | 16 | | 450 | | ▶457 | | 3 |
| | 17 | 228-7392 | 31 | 228-7462 | 2 | | 4 |
| | 18 | | 53 | | 3 | | 6 |
| | 19 | | ▶442 | | 4 | | 7 |
| | 20 | 228-7395 | 13 | | 5 | | 8 |
| | 21 | | 20 | | 6 | | 9 |
| | 31 | | 31 | | 7 | | 10 |
| | 36 | | 48 | | 8 | | 11 |
| | 37 | | 54 | | 9 | | 13 |
| | 38 | | 59 | | 10 | | 14 |
| | 39 | | ▶208 | | 11 | | 15 |
| | 40 | 228-7398 | 71 | | 12 | | 18 |
| | 41 | | 73 | | 13 | | 19 |
| | 43 | | 79 | | 14 | | 20 |
| | 44 | 228-7403 | 13 | | 15 | | 21 |
| | 45 | | 20 | | 16 | | 22 |
| | 46 | | 31 | | 17 | | 23 |
| | 47 | | ▶71 | | 18 | | 24 |
| | 48 | | ▶73 | | 19 | | 25 |
| | 49 | 228-7418 | 2 | | 20 | | 27 |
| | 50 | | 3 | | 21 | | 28 |
| | 51 | | 4 | | 22 | | 29 |
| 228-7326 | 31 | | 5 | | 23 | | 31 |
| | 53 | | 6 | | 24 | | 43 |
| | 54 | | 7 | | 25 | | 44 |
| | 59 | | 8 | | 27 | | 45 |
| | ▶196 | | 9 | | 28 | | 46 |
| 228-7331 | 31 | | 11 | | 29 | | 47 |

CLICK HERE TO **DOWNLOAD** THE COMPLETE MANUAL

- Thank you very much for reading the preview of the manual.
- You can download the complete manual from: www.heydownloads.com by clicking the link below



- Please note: If there is no response to CLICKING the link, please download this PDF first and then click on it.

CLICK HERE TO **DOWNLOAD** THE COMPLETE MANUAL