

May - Mai - Maj 2010



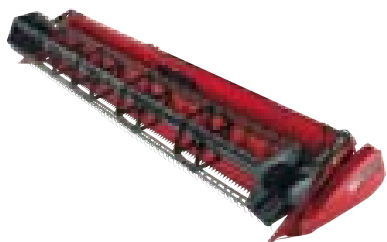
AXIAL-FLOW 10 SERIES & 20 SERIES
AXIAL-FLOW SÉRIE 10 & SÉRIE 20
AXIAL-FLOW SERIE 10 & SERIE 20



AXIAL-FLOW 5088, 6088 & 7088
AXIAL-FLOW 5088, 6088 & 7088
AXIAL-FLOW 5088, 6088 & 7088



AXIAL-FLOW 2377 & 2388
AXIAL-FLOW 2377 & 2388
AXIAL-FLOW 2377 & 2388



GRAIN-HEADER: 3050
BARRE DE COUPE, CÉRÉALES : 3050
SKÆREBORD: 3050



GRAIN-HEADER: 2030, 2040 & 2050
BARRE DE COUPE, CÉRÉALES :
2030, 2040 & 2050
SKÆREBORD: 2030, 2040 & 2050



CORN-HEADER
CUEILLEURS MAÏS
MAJSSKÆREBORD

CLICK HERE TO **DOWNLOAD** THE COMPLETE MANUAL

- Thank you very much for reading the preview of the manual.
- You can download the complete manual from: www.heydownloads.com by clicking the link below



- Please note: If there is no response to CLICKING the link, please download this PDF first and then click on it.

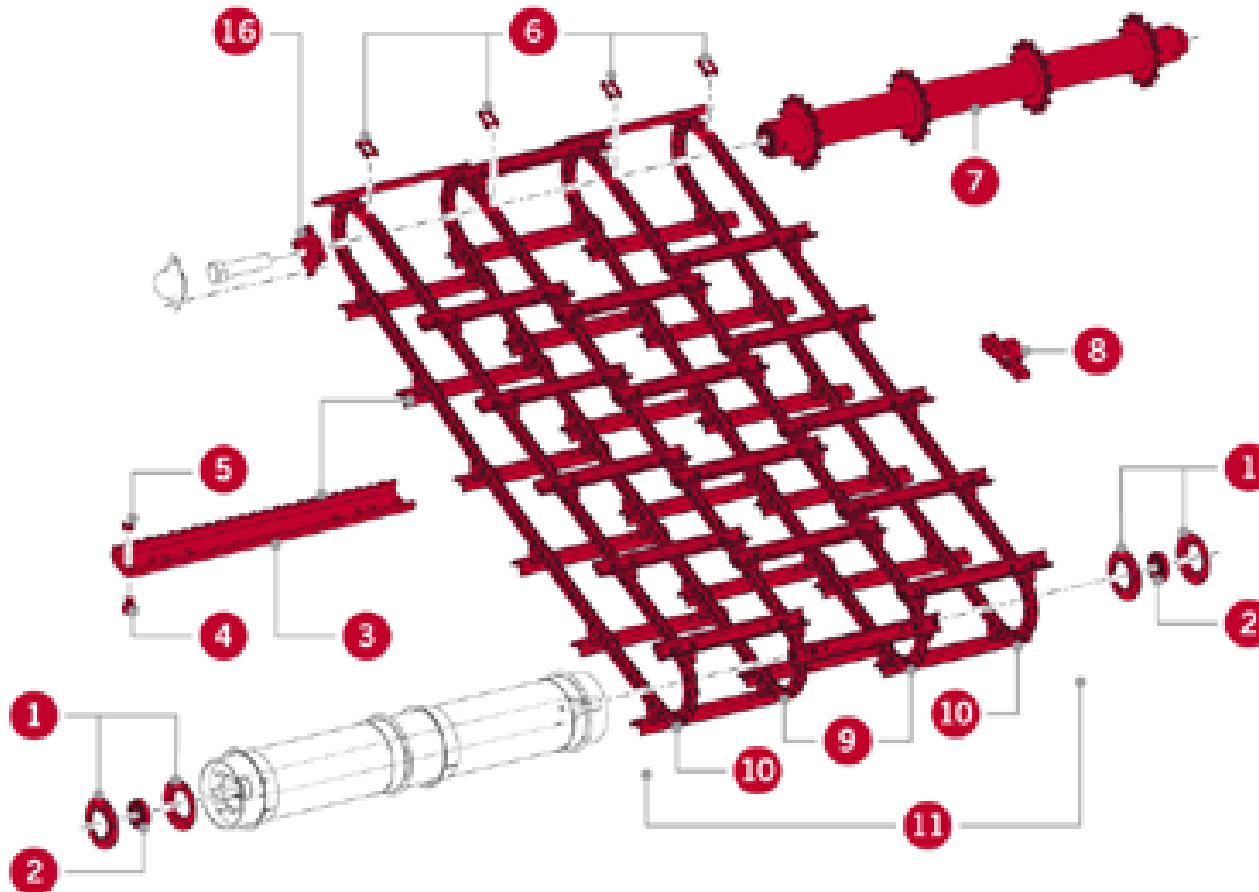
CLICK HERE TO **DOWNLOAD** THE COMPLETE MANUAL



Feeder chains, U-shaped slats

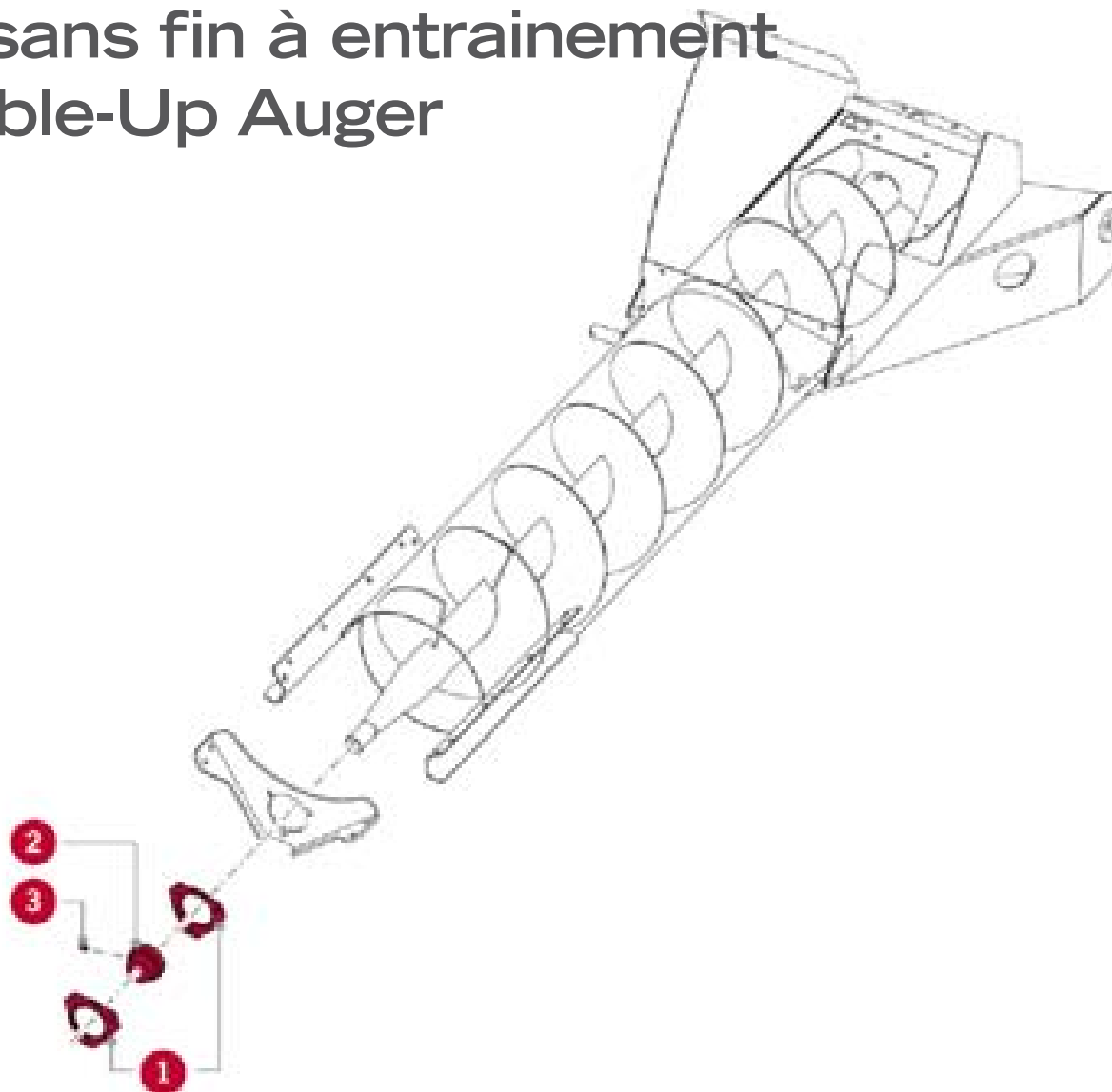
Chaînes de convoyeur, traverses en U

Indføringskæder, U-formede medbringere





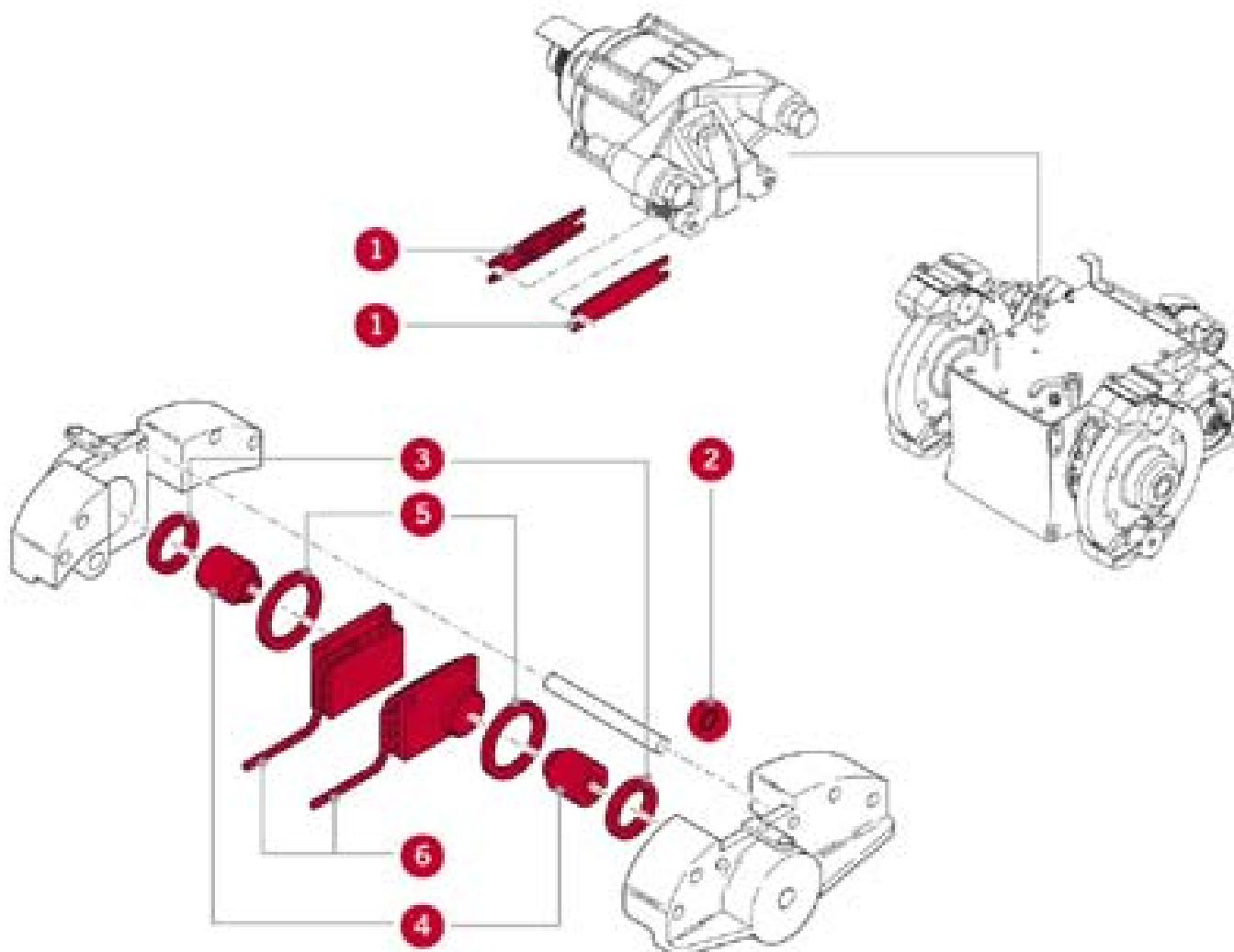
Bubble-up auger Vis sans fin à entraînement Bubble-Up Auger



AXIAL-FLOW 10 SERIES (FROM 09/2006) & 20 SERIES
AXIAL-FLOW SÉRIE 10 (DEPUIS 09/2006) & SÉRIE 20
AXIAL-FLOW SERIE 10 (09/2006 -) & SERIE 20

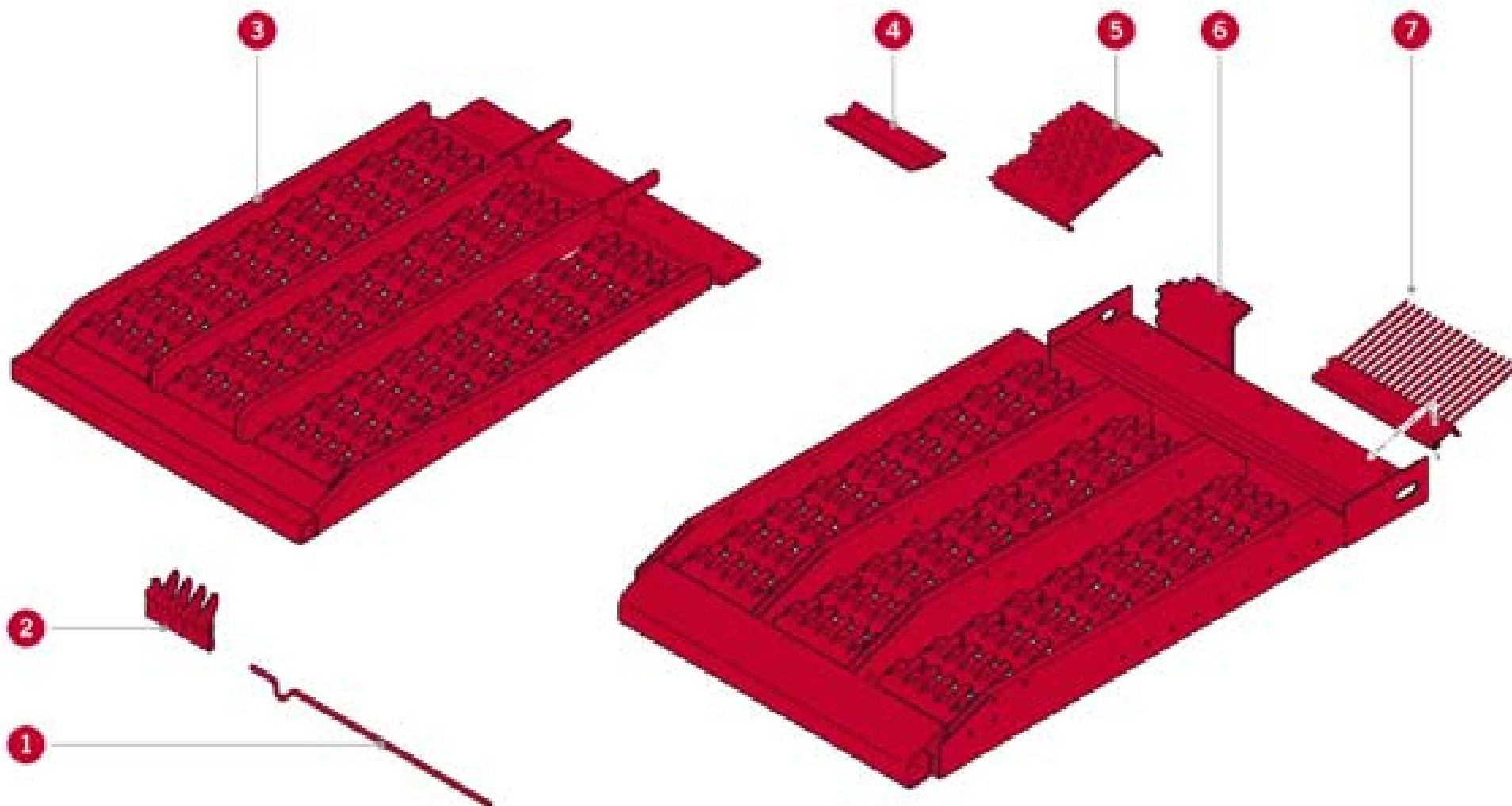


Brakes - Freins - Bremsen



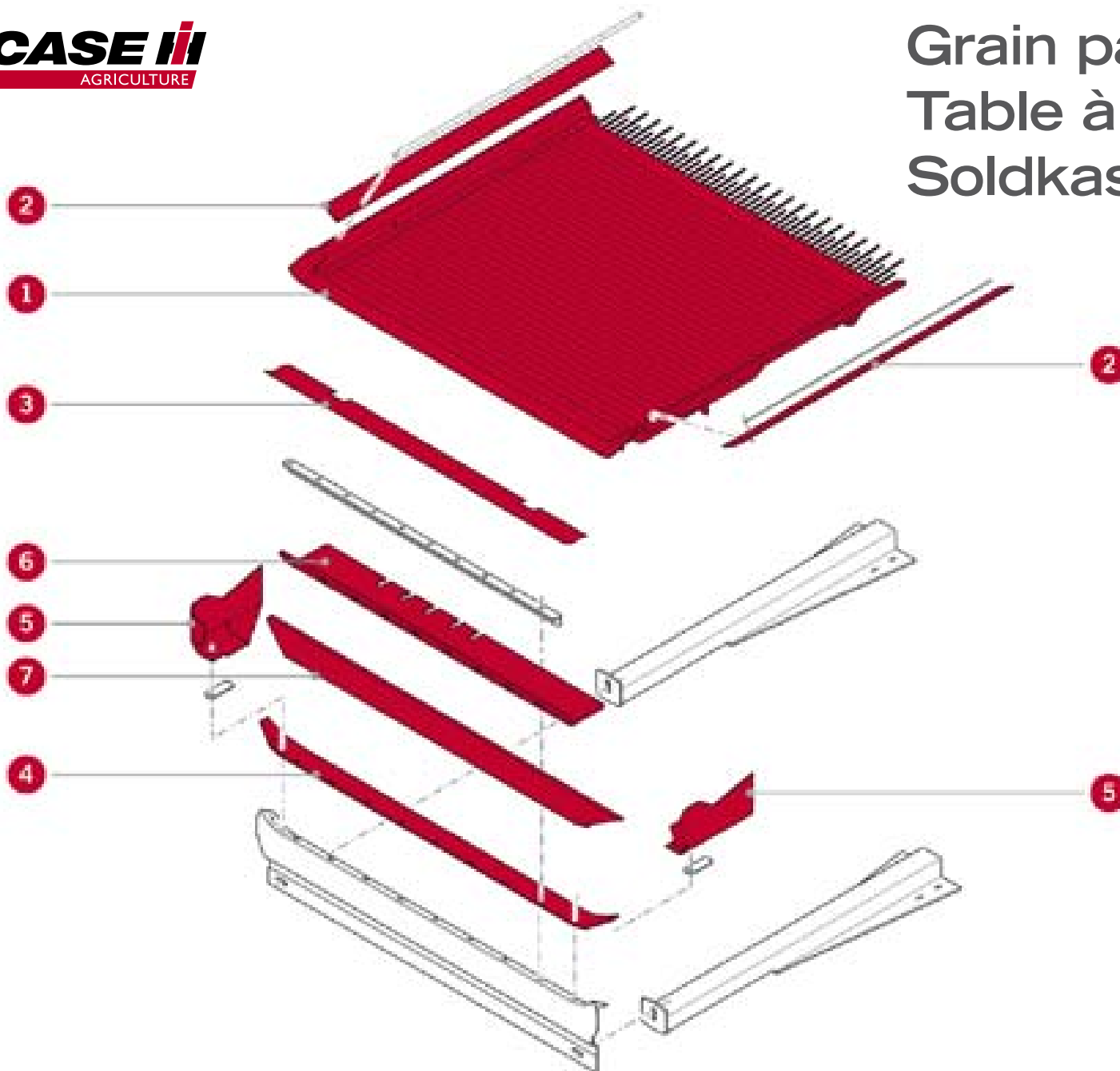


Pre-sieves & upper sieves Pré-grilles & grilles supérieures Forsold & øverste sold



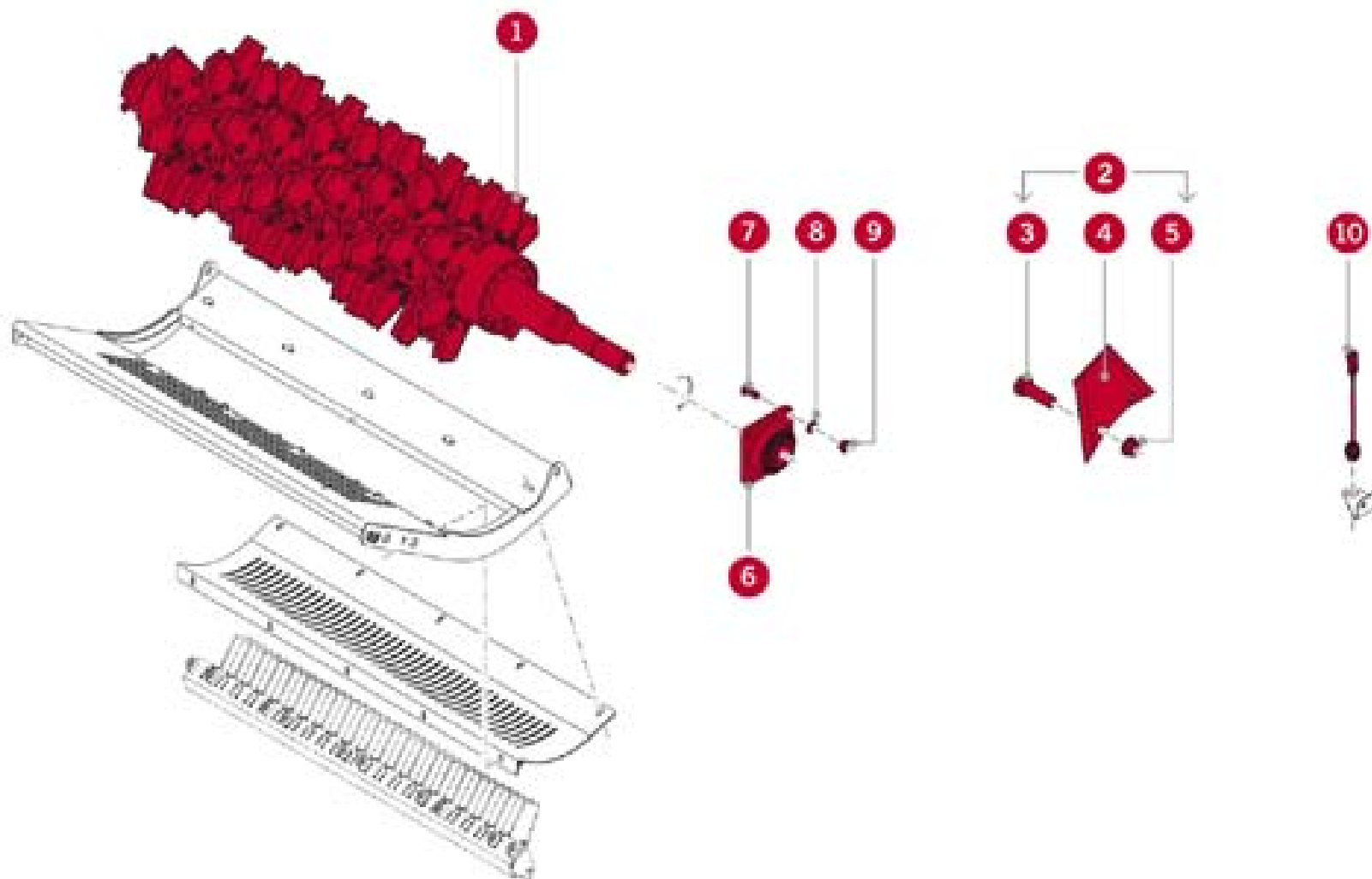


Grain pan Table à grain Soldkasse





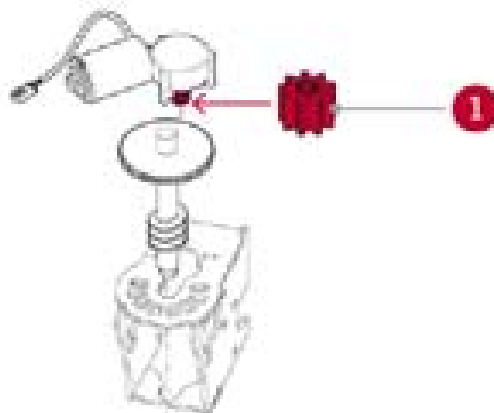
Strawchopper - integrated 3x3 Broyeur de paille - intégré - 3x3 Halmsnitter - integriert 3x3



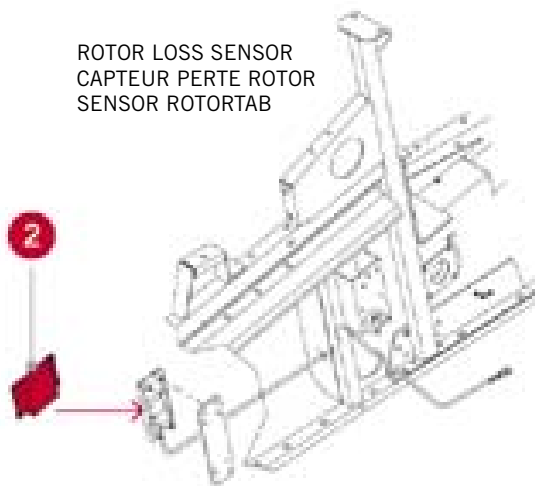


Miscellaneous - Divers - Diverse

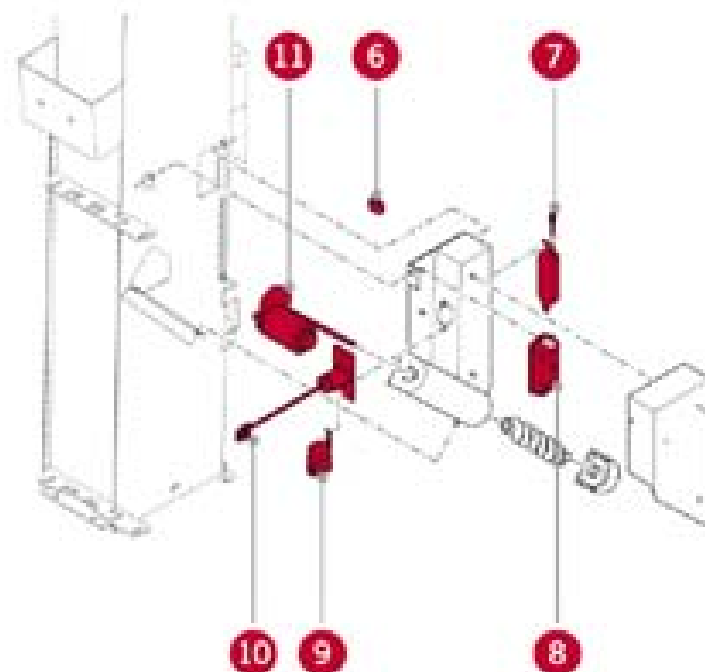
CONCAVE ADJUSTMENT MOTOR
AJUSTEMENT CONTRE-BATTEUR
MOTOR TÆRSKEBROINDSTILLING



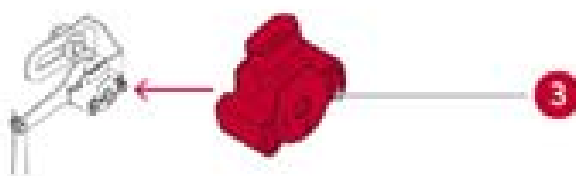
ROTOR LOSS SENSOR
CAPTEUR PERTE ROTOR
SENSOR ROTORTAB



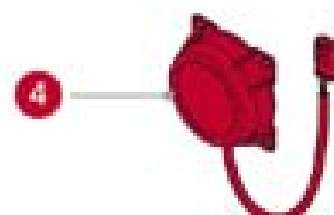
MOISTURE SENSOR
CAPTEUR HUMIDITÉ
FUGTSENSOR



CONCAVE ADJUSTMENT POTENTIOMETER
POTENTIOMETRE AJUSTEMENT CONTRE-BATTEUR
FUGTSENSOR

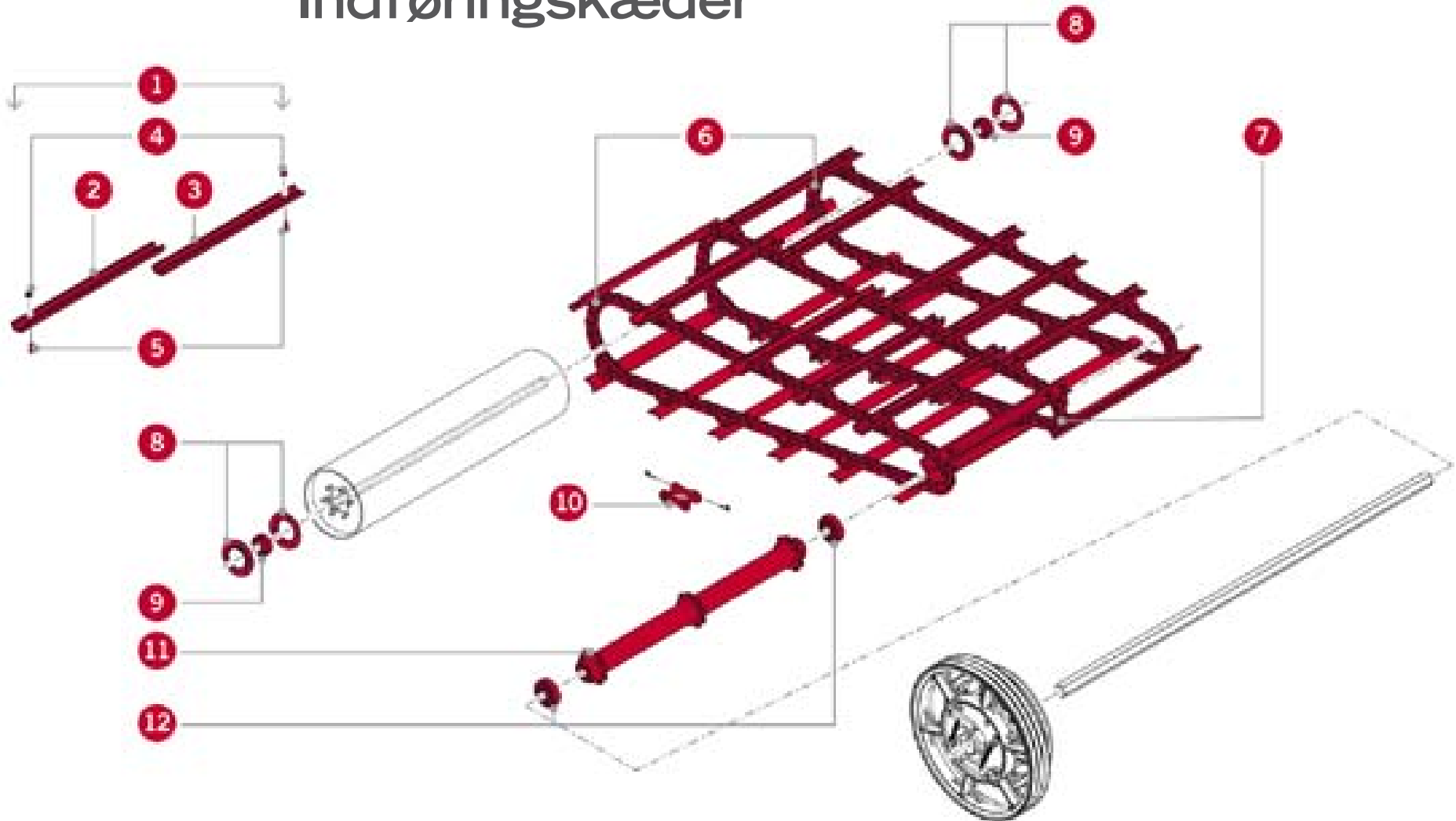


GRAIN TANK FILL SENSOR
SONDE REMPLISSAGE TRÉMIE
SENSOR KORNTANKFYLDNING



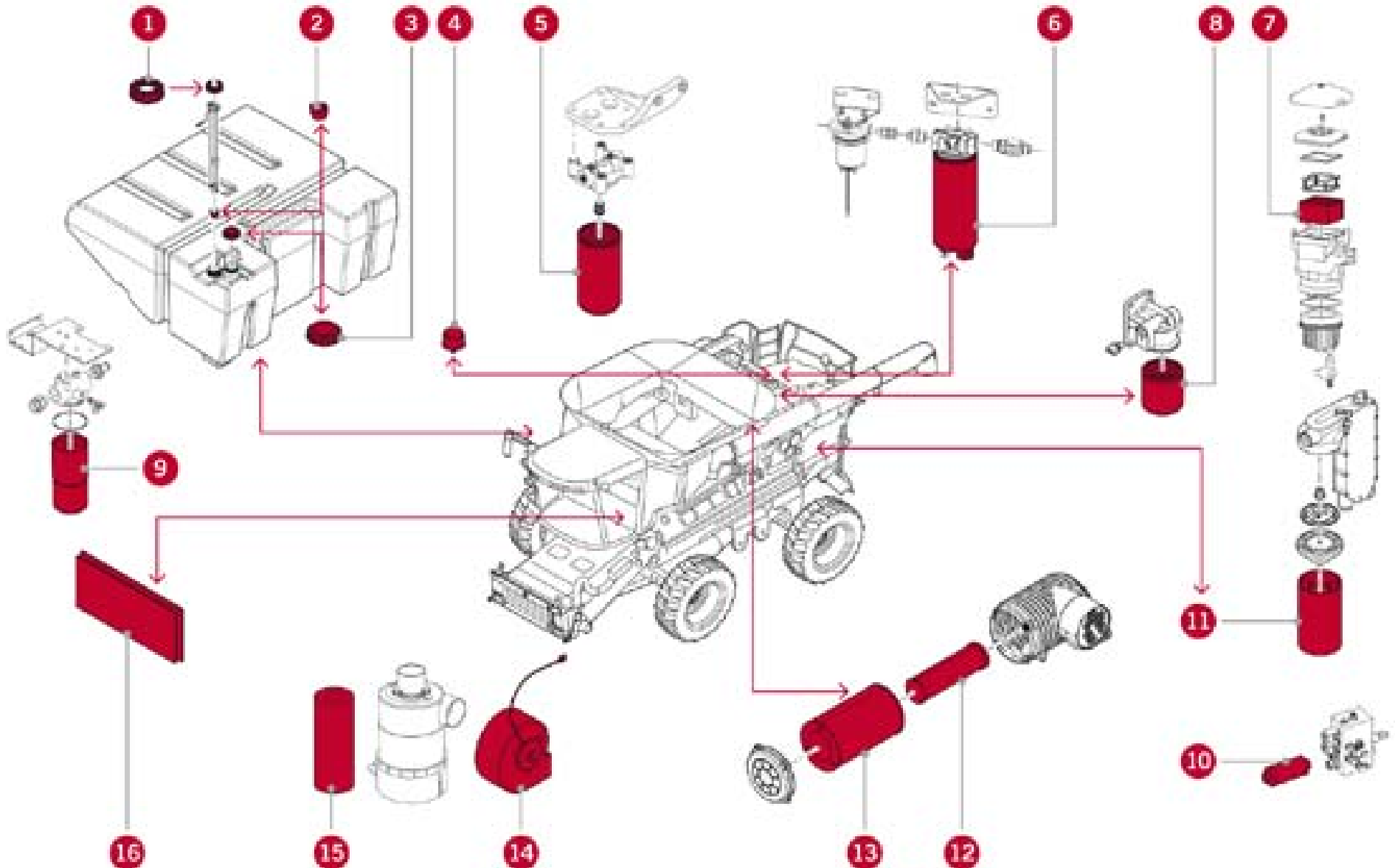


Feeder chains Convoyeurs Indføøringskæder



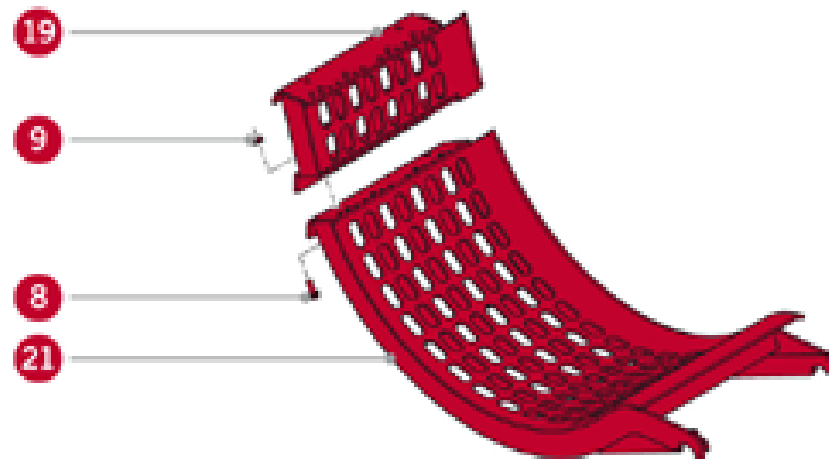
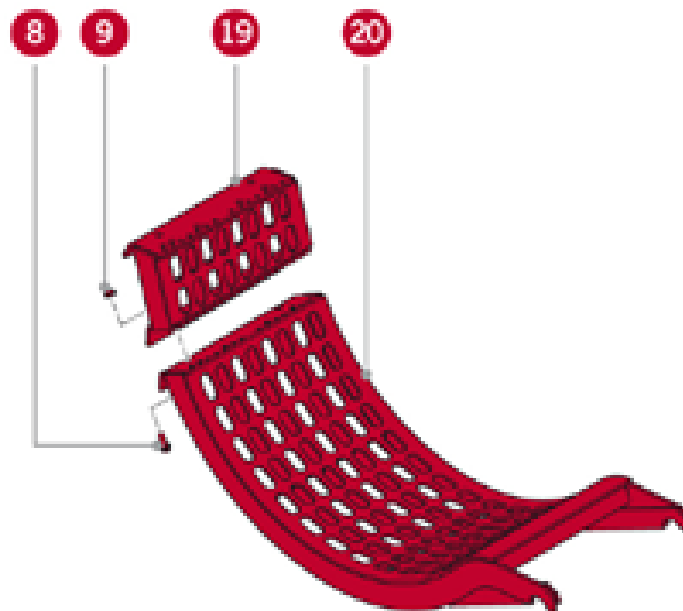
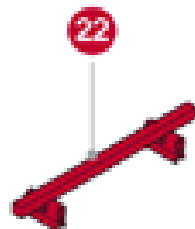
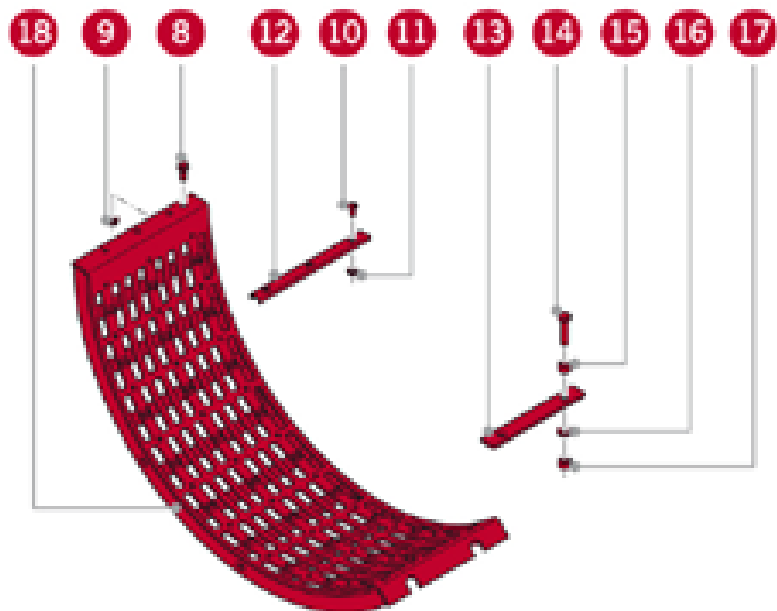
CASE II Filters - Filtres - Filtre

AGRICULTURE



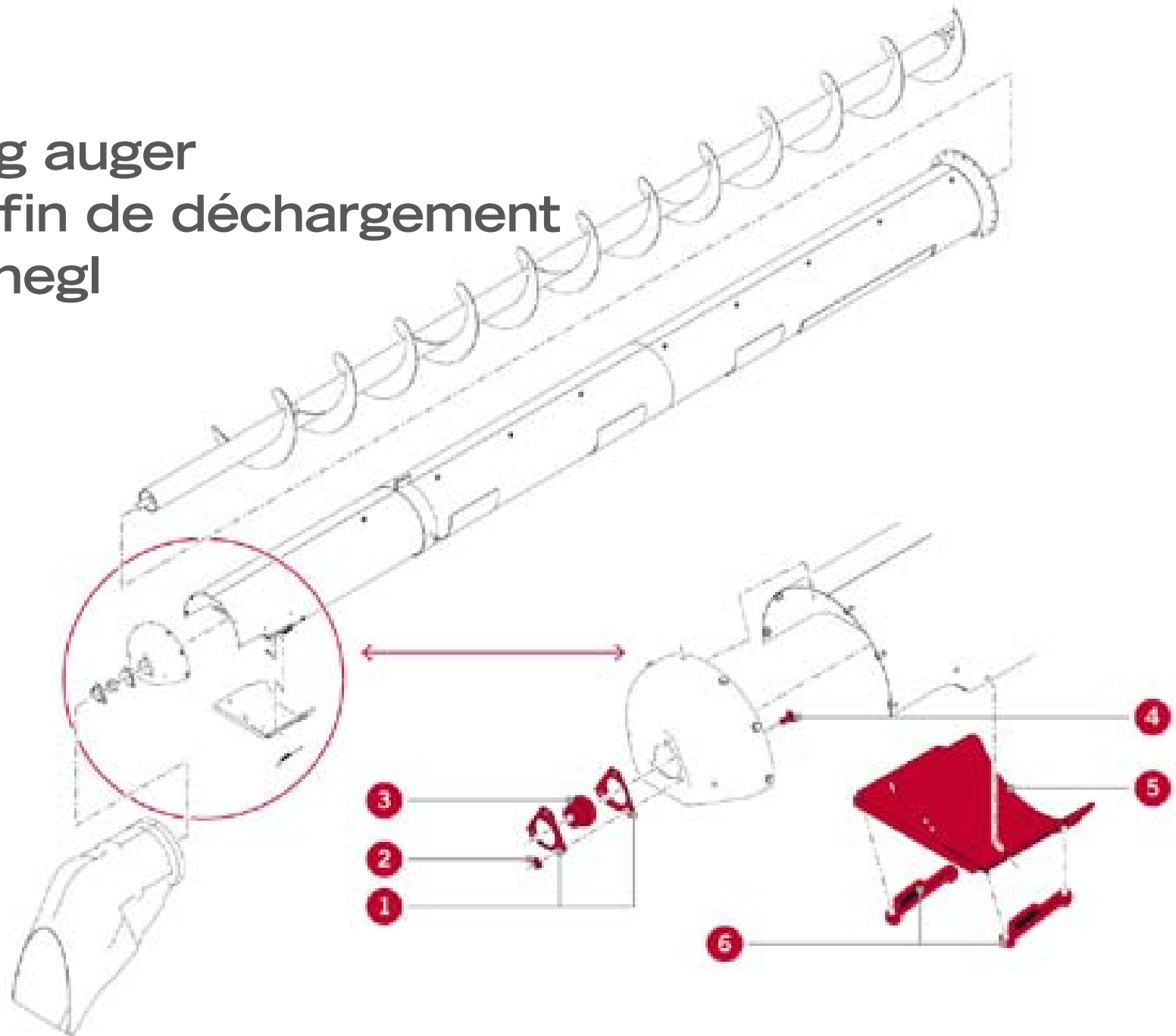


Concaves - Contre-batteurs - Tærskebroer





Unloading auger Vis sans fin de déchargement Tømmesnegl





Axial-Flow (from 06/2006) 2377 & 2388

Axial-Flow (depuis 06/2006) 2377 & 2388

Axial-Flow (06/2006 -) 2377 & 2388



CLICK HERE TO **DOWNLOAD** THE COMPLETE MANUAL

- Thank you very much for reading the preview of the manual.
- You can download the complete manual from: www.heydownloads.com by clicking the link below

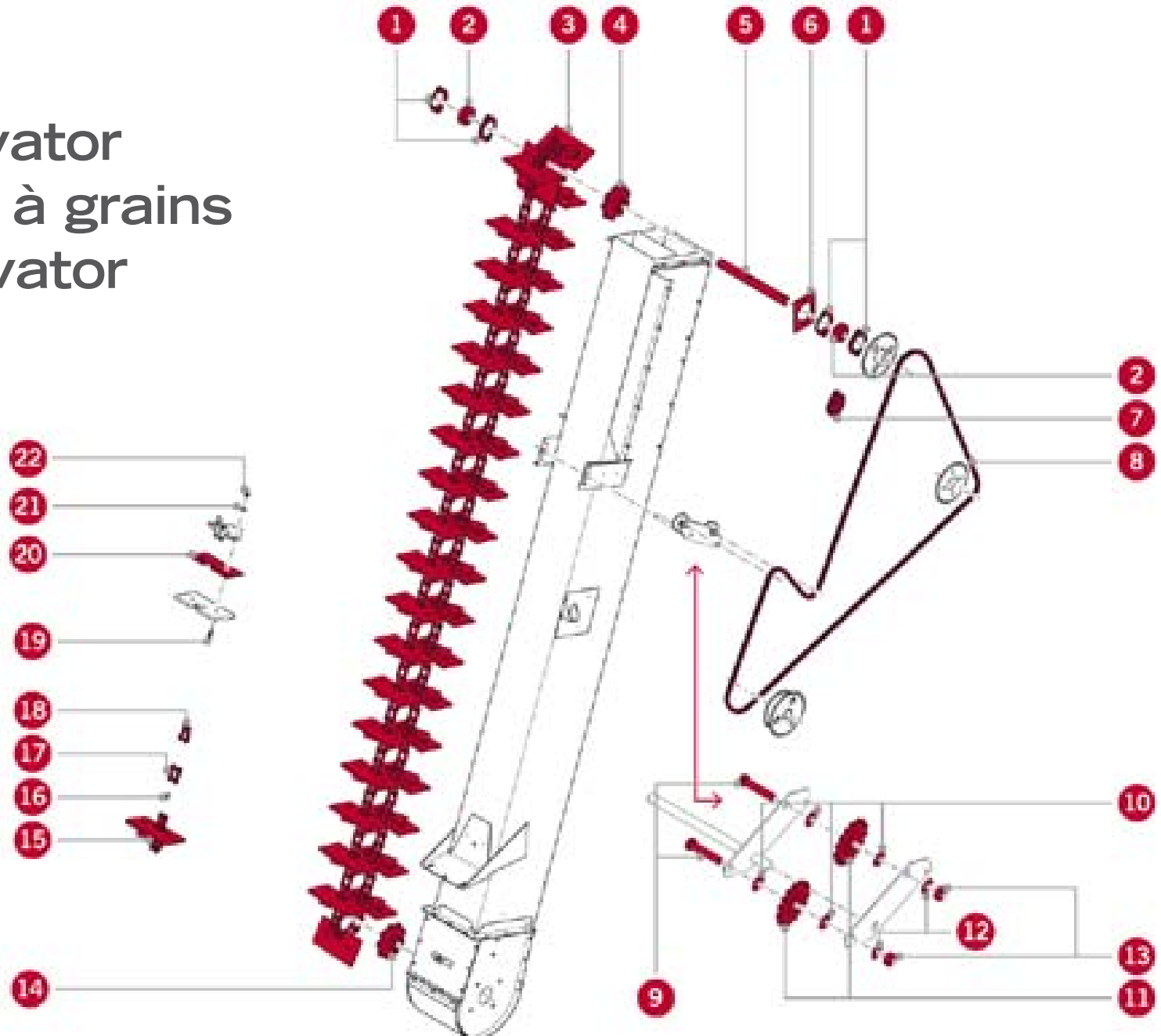


- Please note: If there is no response to CLICKING the link, please download this PDF first and then click on it.

CLICK HERE TO **DOWNLOAD** THE COMPLETE MANUAL



Grain elevator Élévateur à grains Grain Elevator

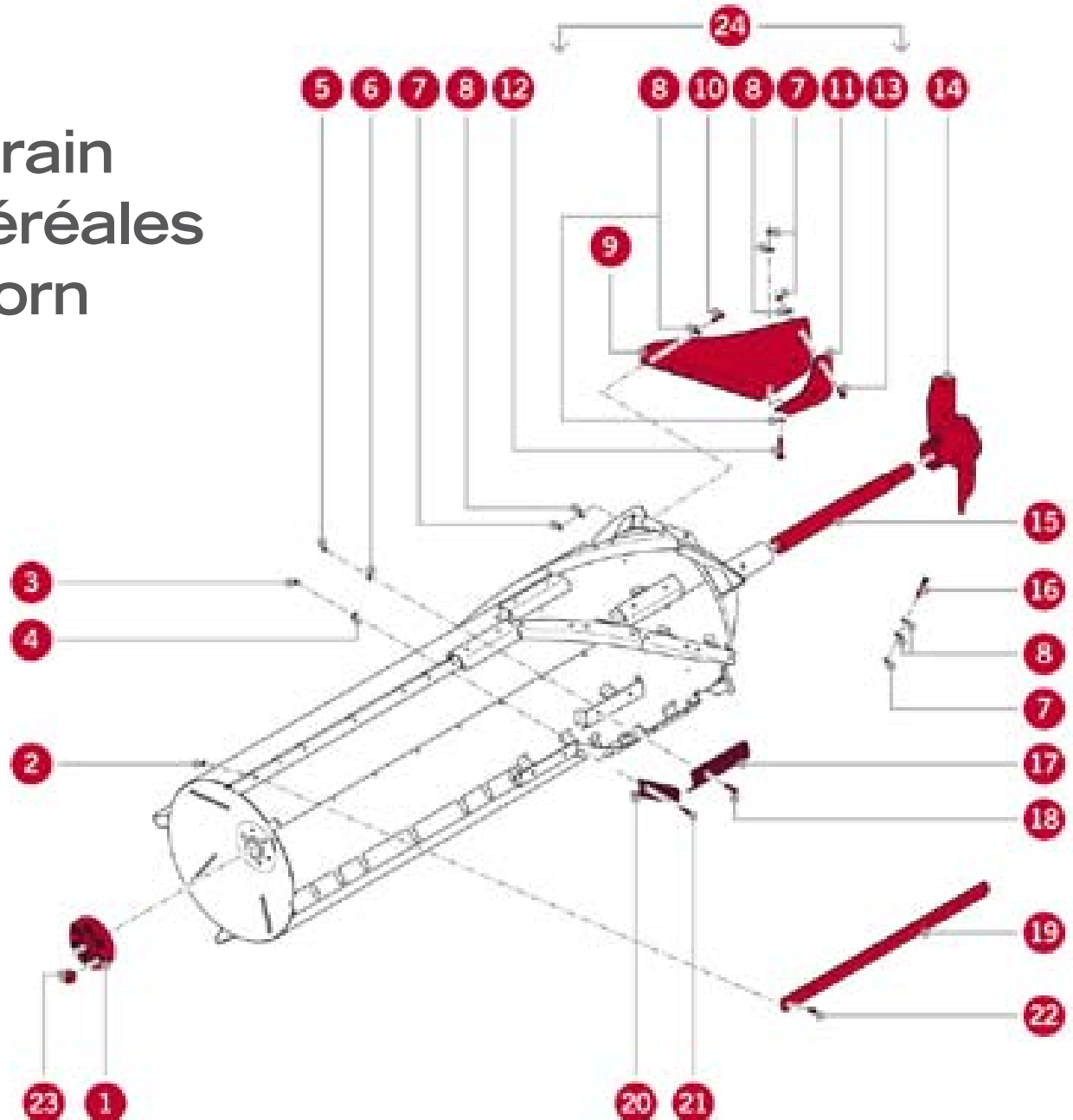




Rotor - Corn & Grain

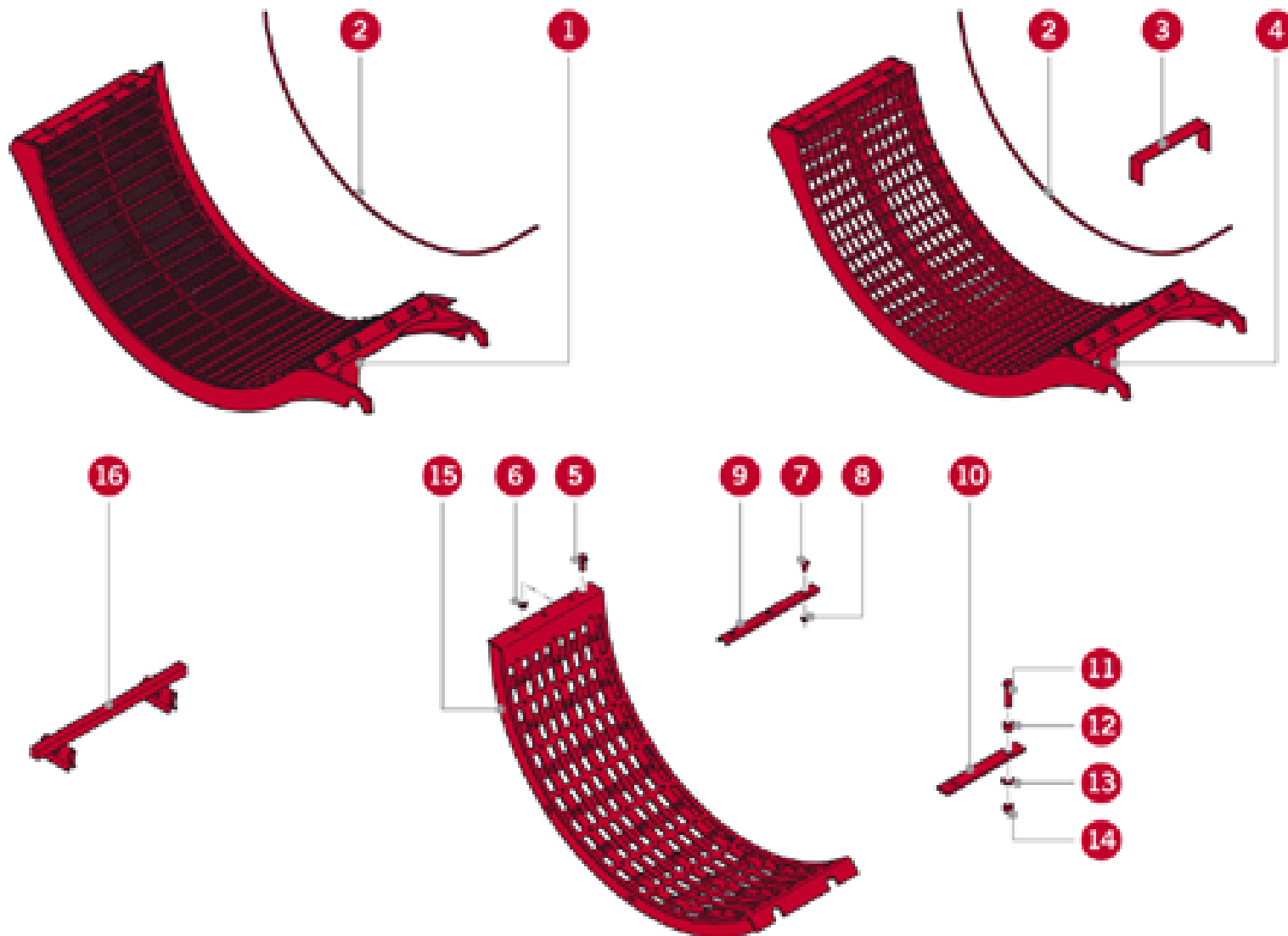
Rotor - Maïs & céréales

Rotor - Majs & Korn



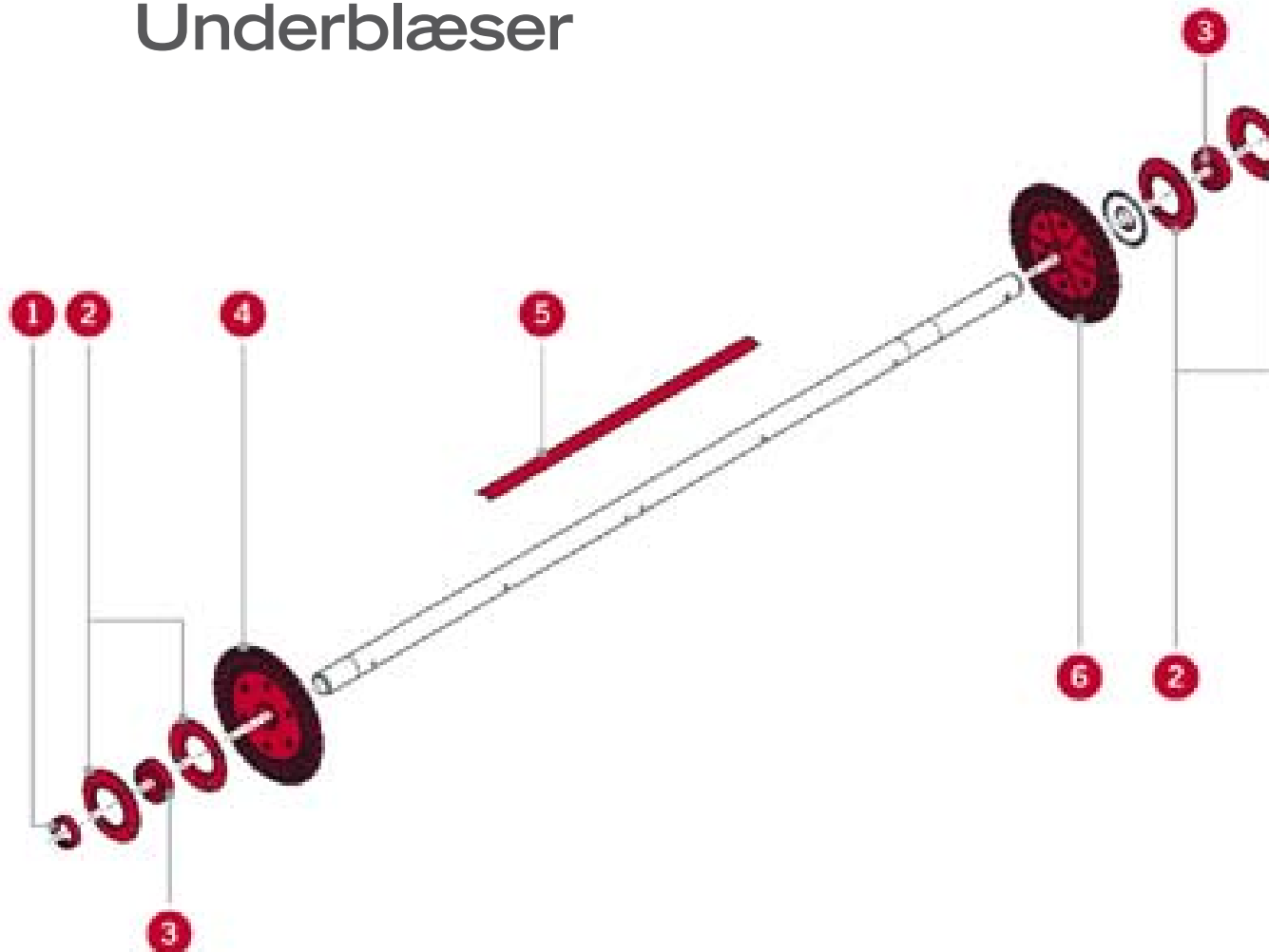


Concaves - Contre-Batteurs - Tærskelbroer





Cleaning fan Ventilateur de nettoyage Underblåser

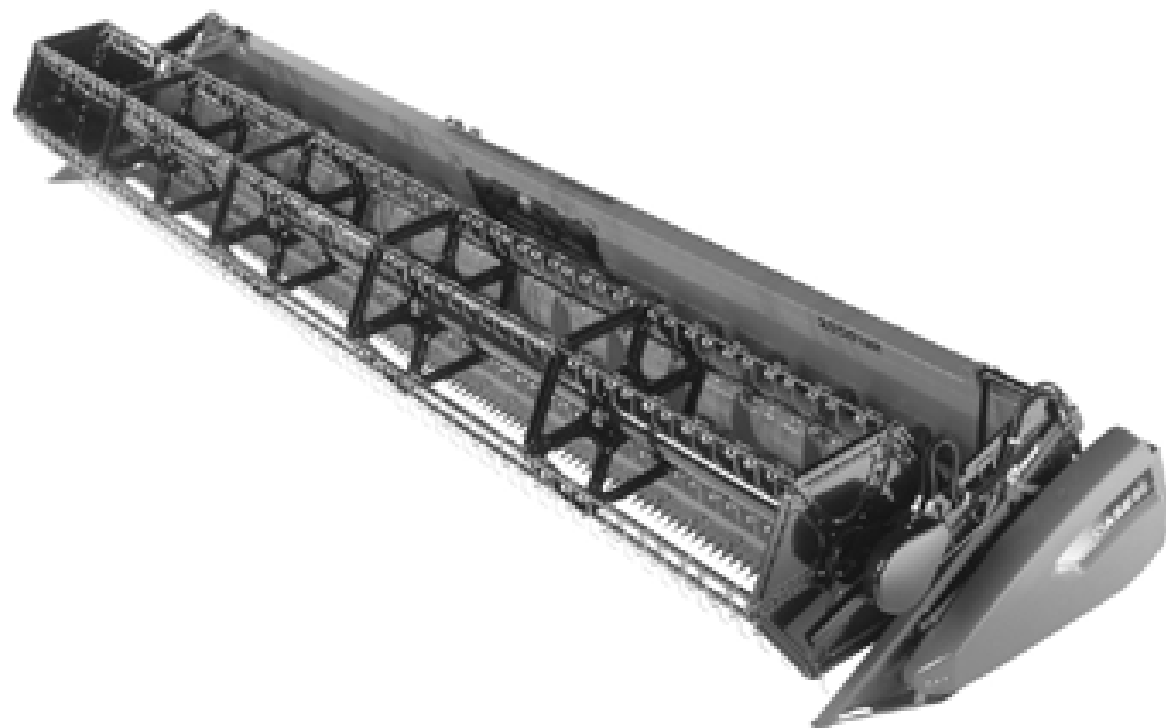




Grain-header: 3050

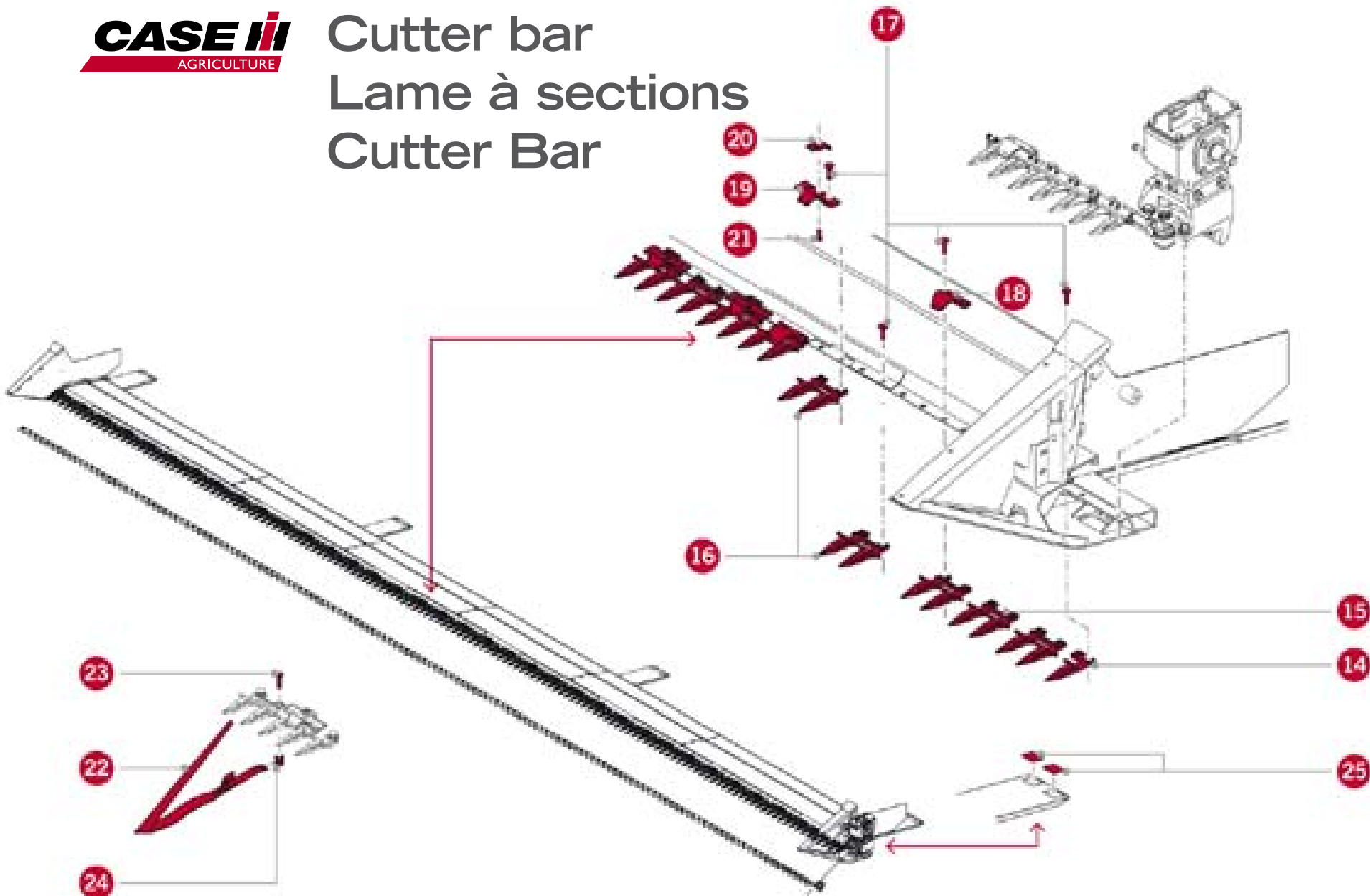
Barre de coupe, céréales: 3050

Skærebord: 3050



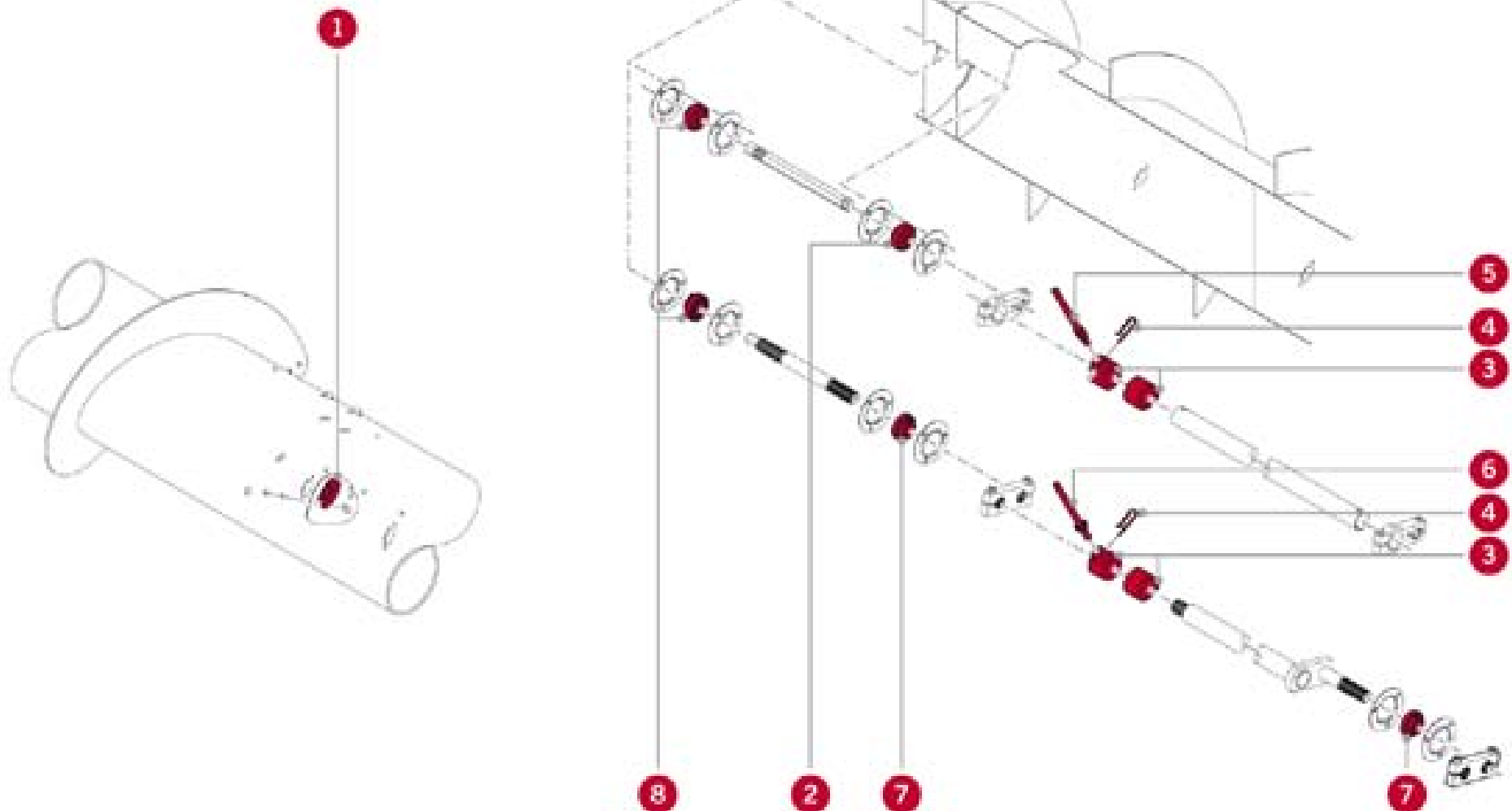


Cutter bar Lame à sections Cutter Bar



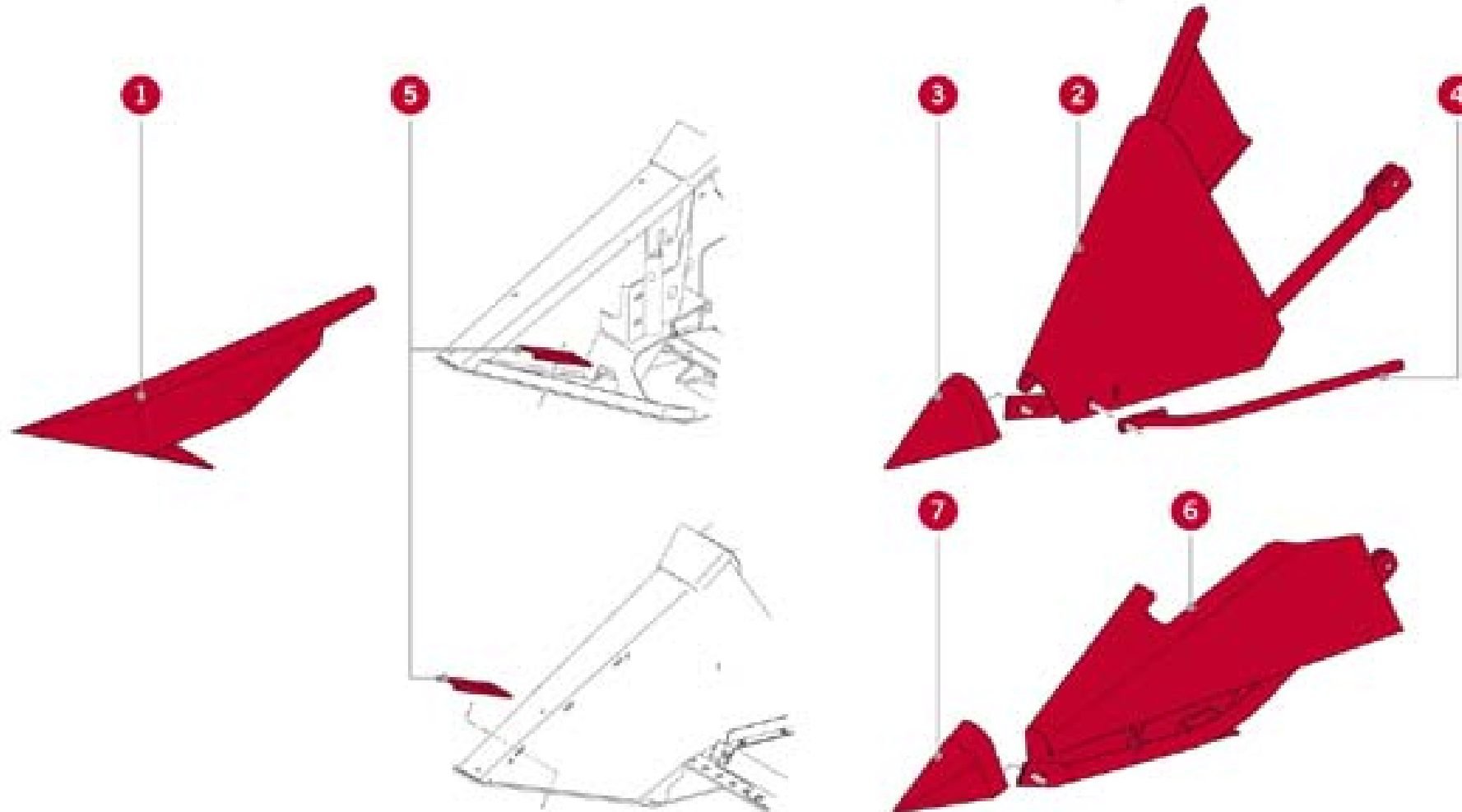


Feed Auger Vis d'alimentation Indføøringsssnegl





Short crop dividers LH and RH Diviseurs courts, droit et gauche Korte stråskillere, venstre og højre

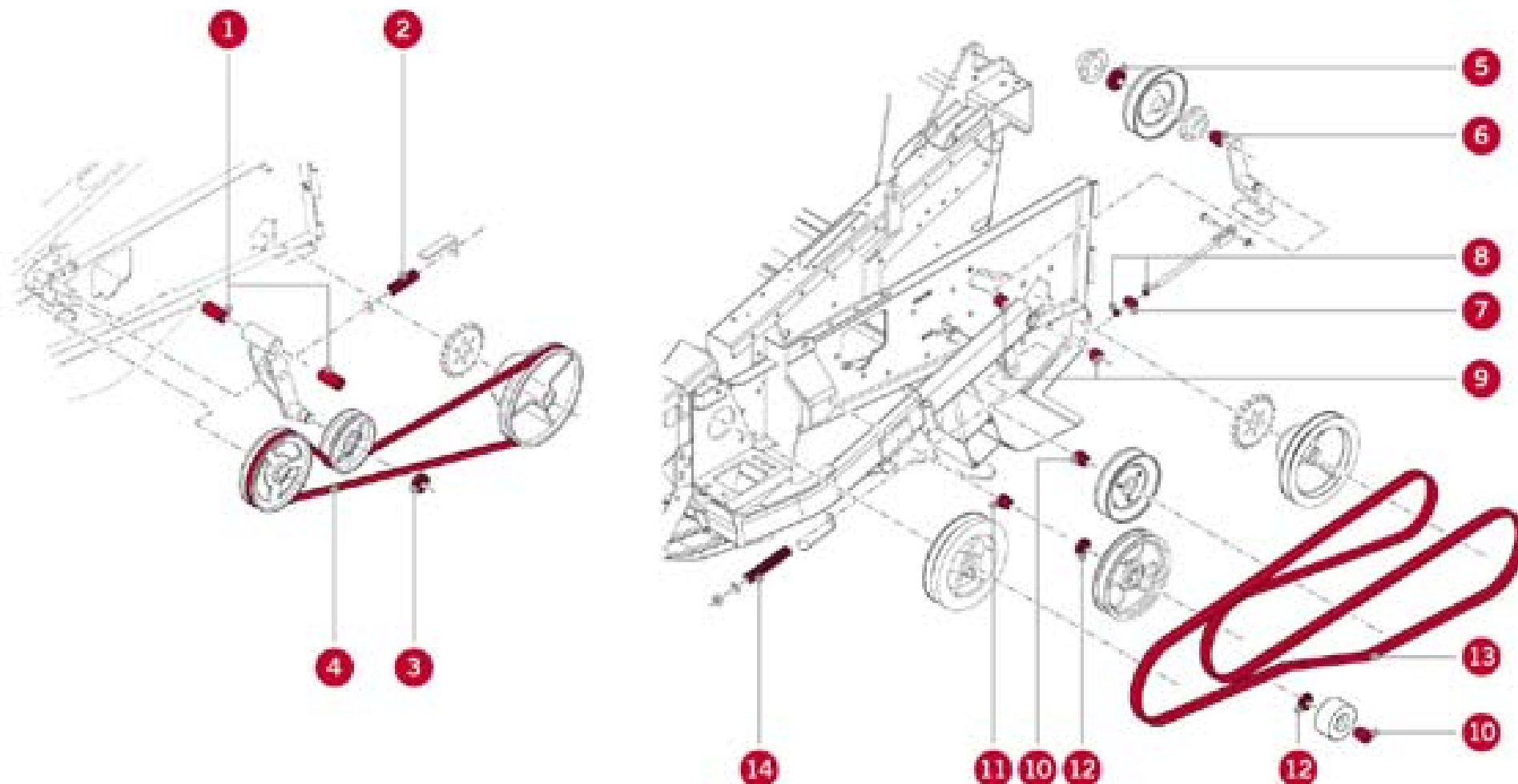




Wobble box drive

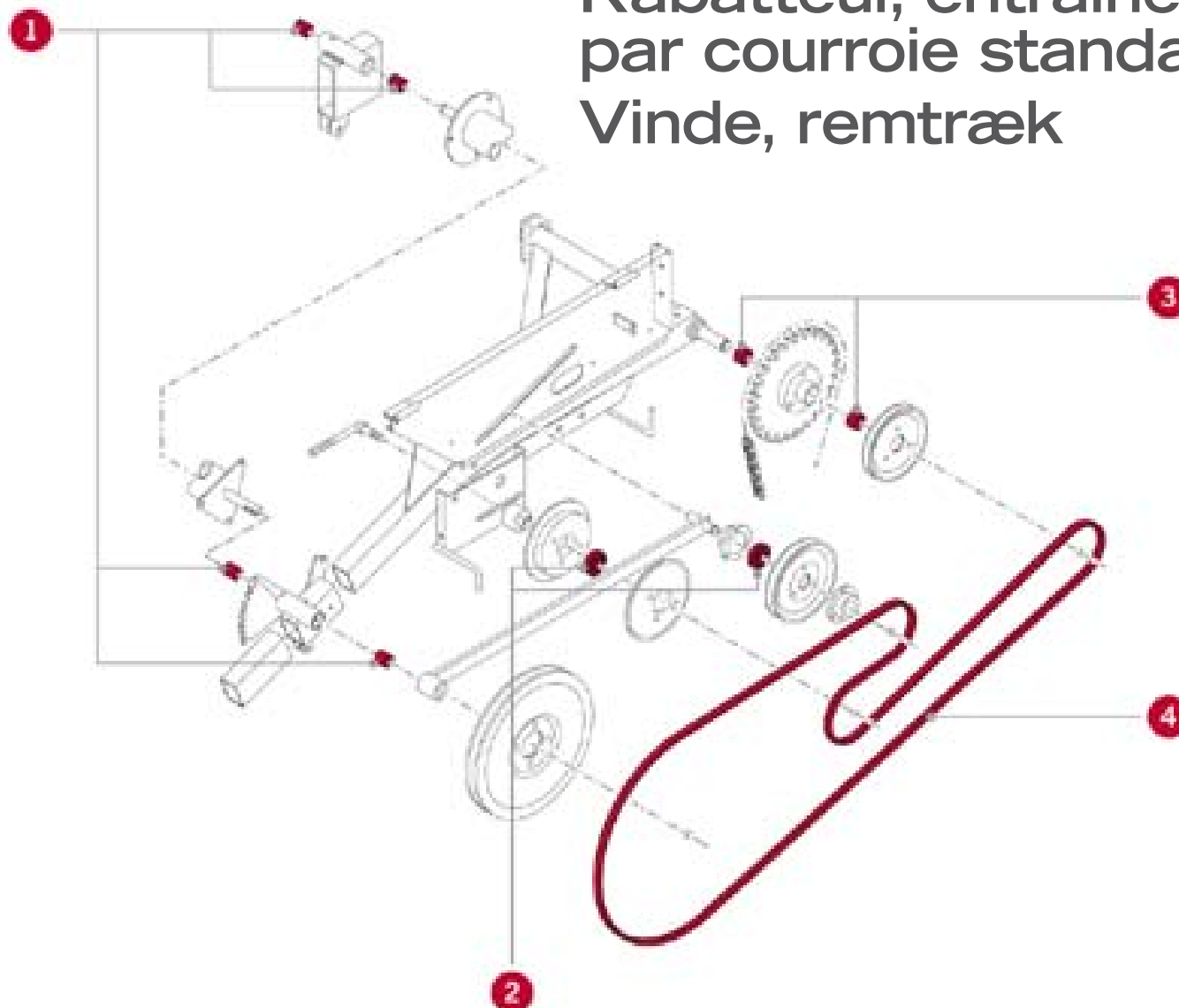
Entrainement boîtier convertisseur de mouvement

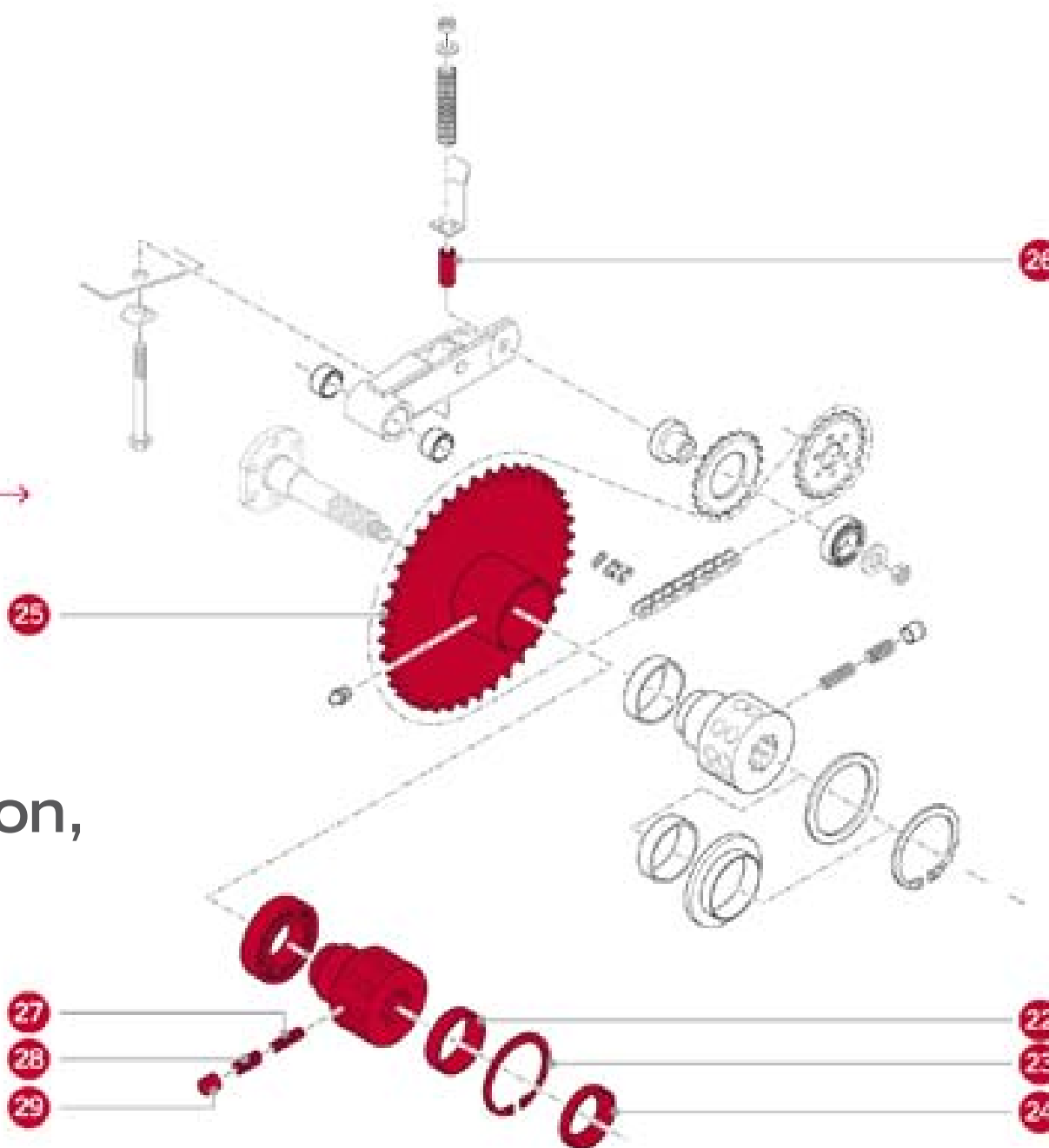
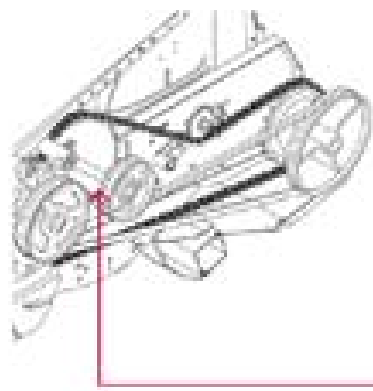
Drev for wobbleboks





Reel, belt drive
Rabatteur, entraînement
par courroie standard
Vinde, remtræk





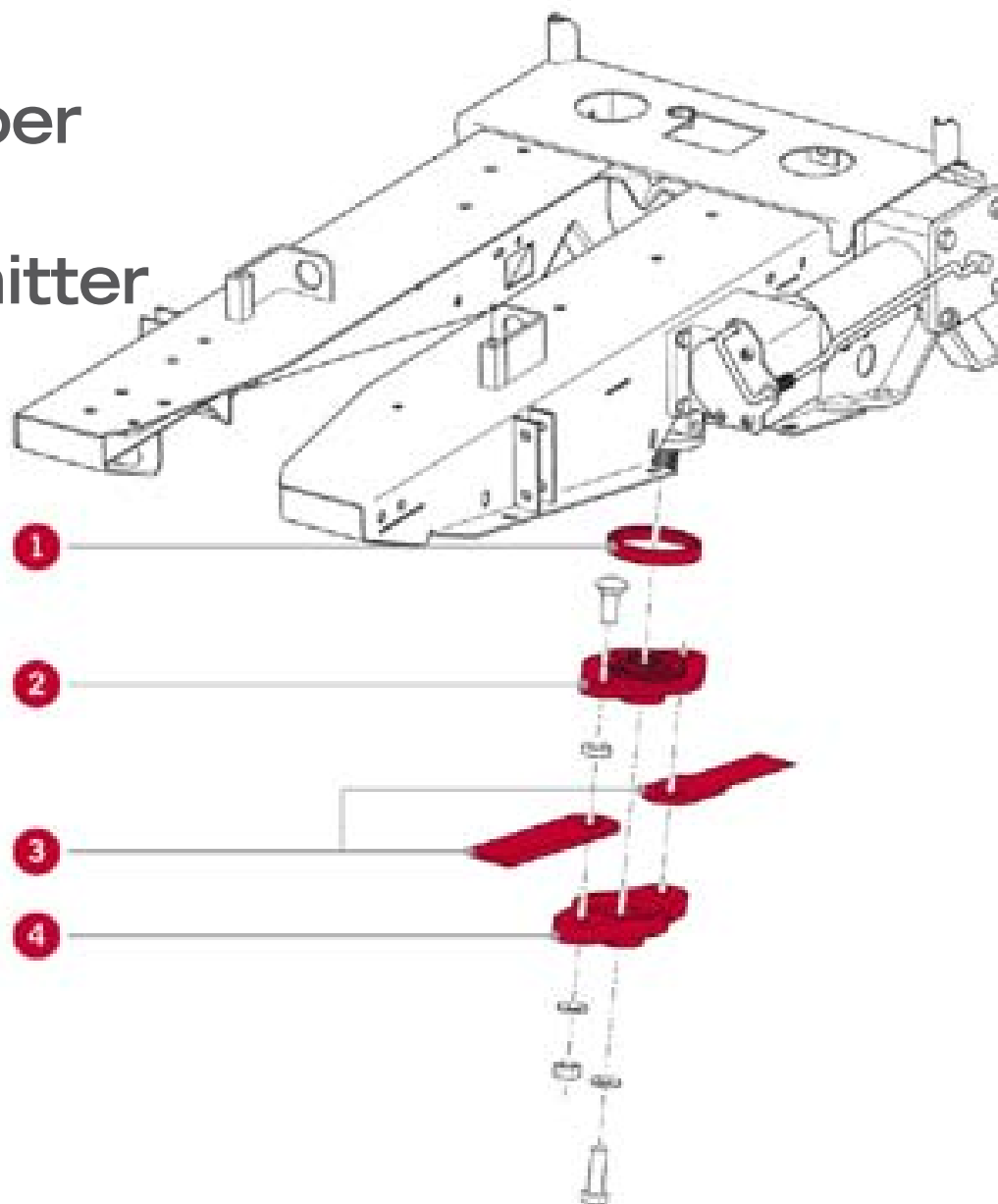
Feed
auger drive

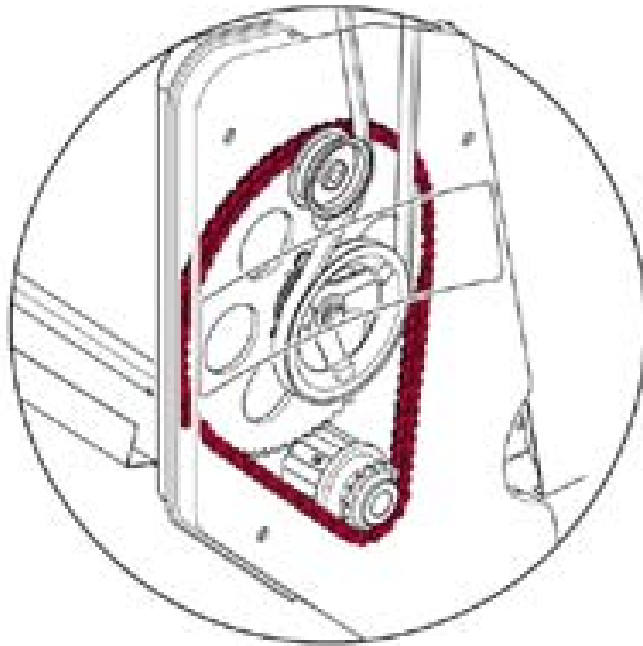
Vis d'alimentation,
transmission

Drev for
indføringsnegl



Row unit stalk chopper
Broyeur de tiges
Rækkeenhed, stoksniiter

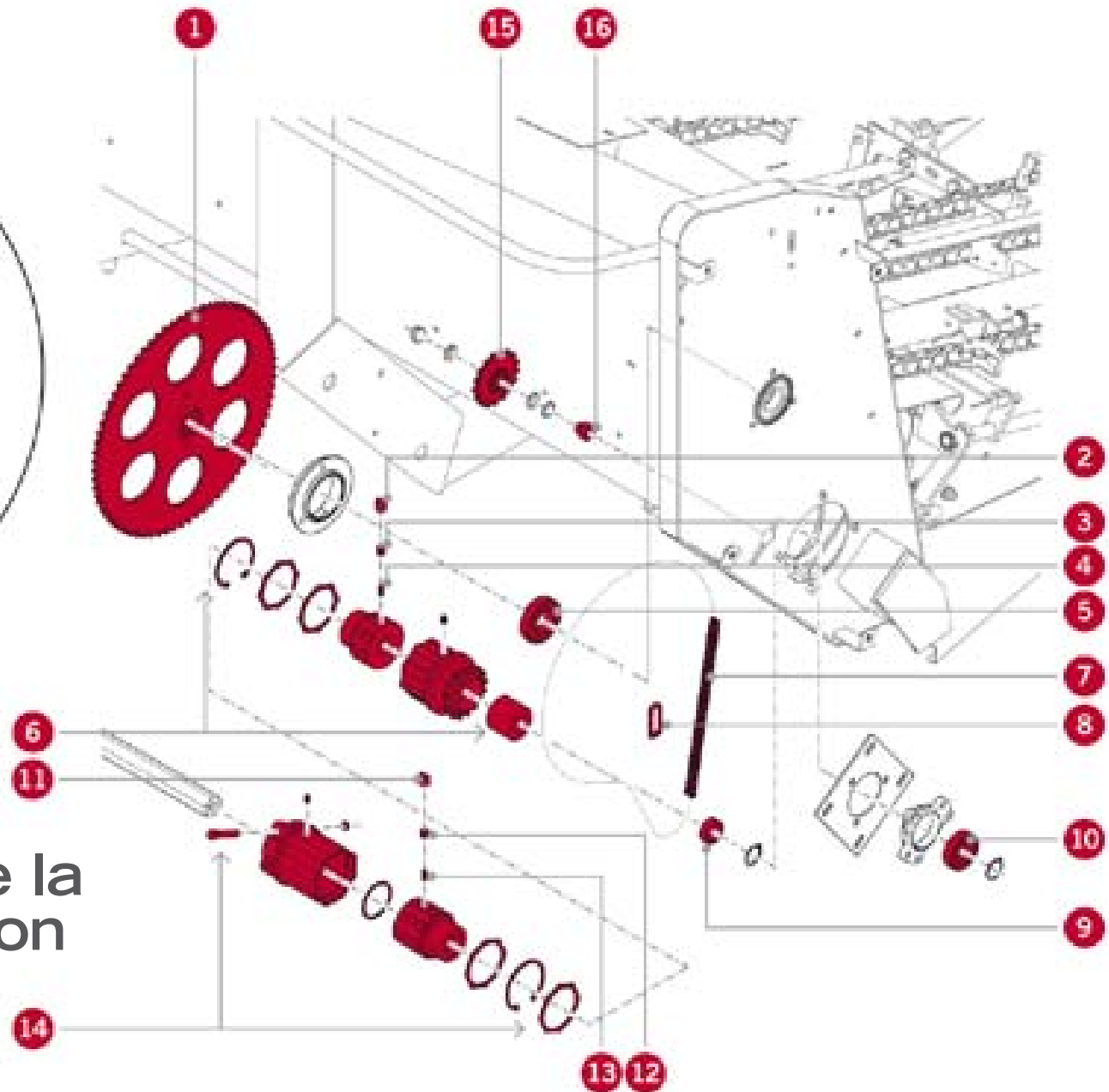




Row unit and auger drive

Transmission des rangs et de la vis d'alimentation

Rækkeenhed og snegldrev



CLICK HERE TO **DOWNLOAD** THE COMPLETE MANUAL

- Thank you very much for reading the preview of the manual.
- You can download the complete manual from: www.heydownloads.com by clicking the link below



- Please note: If there is no response to CLICKING the link, please download this PDF first and then click on it.

CLICK HERE TO **DOWNLOAD** THE COMPLETE MANUAL