

All rights reserved by **CNHi**.

The information contained in this catalogue is intended to be of a general nature only. **CNHi** may at any time and from time to time, for technical or other necessary reasons, modify any of the details or specifications of the product described in this catalogue.

To be sure of getting accurate, detailed and up-to-date information, an intending buyer should consult his nearest **CNHi** dealer or distributor.

Single item numeration method used in this catalogue may not be used without written consent from **CNHi**.

CLICK HERE TO **DOWNLOAD** THE COMPLETE MANUAL

- Thank you very much for reading the preview of the manual.
- You can download the complete manual from: www.heydownloads.com by clicking the link below



- Please note: If there is no response to CLICKING the link, please download this PDF first and then click on it.

CLICK HERE TO **DOWNLOAD** THE COMPLETE MANUAL

TABLE OF CONTENTS

55.510.030	VAR - 423058, 423059 - POWERSHUTTLE, TRANSMISSION, RIGHT SIDE, HARNESS, W/ OPT
55.510.040	VAR - 423058, 423059 - POWERSHUTTLE, TRANSMISSION, RIGHT SIDE, HARNESS W/ OPT, FUSE BOX, DIODE
55.510.050	VAR - 423060, 423061, 423062 - SEMI-POWERSHIFT, POWERSHIFT, TRANSMISSION, FRONT, CONSOLE, HARNESS, W/ OPT
55.510.070	VAR - 423060, 423061, 423062 - SEMI-POWERSHIFT, POWERSHIFT, TRANSMISSION, RIGHT SIDE, HARNESS, W/ OPT
55.510.080	VAR - 423060, 423061, 423062 - SEMI-POWERSHIFT, POWERSHIFT, TRANSMISSION, RIGHT SIDE, HARNESS, W/OPT, FUSE BOX, DIODE
55.510.090	VAR - 747853, 747854, 747855 - CAB, ROOF, WIRE HARNESS
55.511.040	VAR - 423000, 442082 - CANOPY, WORK LIGHT, REAR, HARNESS
55.511.050	VAR - 423000, 442082 - CANOPY, WORK LIGHT, FRONT, HARNESS
55.511.070	VAR - 423000, 442082 - CANOPY, WORK LIGHT, C-POST, HARNESS
55.512.010	INSTRUMENT CLUSTER, MULTIFUNCTION SWITCH
55.512.020	ELECTRONIC CONTROL UNIT
55.512.040	HORN, SWITCH
55.512.050	VAR - 745171 - ENGINE, ECONOMY, SWITCH
55.512.060	CAB, SPEAKER, WIRE
55.512.070	VAR - 442083 - CAB, SPEAKER, WIRE
55.512.090	RADIO, ANTENNA
55.512.100	VAR - 442083 - RADIO, ANTENNA
55.512.110	VAR - 423077 - RADIO
55.512.150	VAR - 423083, 423084 - OPTIONAL EQUIPMENT, SWITCH
55.512.160	VAR - 423083, 747661 - ELECTRONIC, PEDAL
55.512.170	ELECTRONIC LIFT, SWITCH
55.512.180	VAR - 423080 - ELECTRONIC LIFT, SWITCH
55.512.190	VAR - 423080 - VALVE HEAVY LIFT, COMPONENTS, SOLENOID
55.512.220	VALVE HEAVY LIFT, COMPONENTS, SOLENOID
55.512.240	VAR - 747851 - SEAT, MECHANICAL SUSPENSION, VYNIL, SWITCH, HARNESS, COMPONENTS
55.512.250	VAR - 747770 - SEAT, MECHANICAL SUSPENSION, FABRIC, SWITCH, HARNESS, COMPONENTS
55.512.260	VAR - 747897 - SEAT, MECHANICAL, SUSPENSION, FABRIC, SWITCH, HARNESS
55.512.270	VAR - 745160 - SEAT, AIR SUSPENSION, W/ HEATED CUSHIONS, VYNIL, DELUXE, SWITCH, HARNESS, COMPONENTS
55.512.280	VAR - 745161 - SEAT, AIR SUSPENSION, W/ HEATED CUSHIONS, FABRIC, DELUXE, SWITCH, HARNESS
55.512.290	2-SPOOL CONTROL VALVE, POWERSHUTTLE, TRANSMISSION, LOADER, JOYSTICK MOUNTING
55.512.300	2-SPOOL CONTROL VALVE, POWERSHUTTLE, TRANSMISSION, LOADER, JOYSTICK, COMPONENTS
55.512.310	3-SPOOL CONTROL VALVE, POWERSHUTTLE TRANSMISSION, LOADER, JOYSTICK MOUNTING

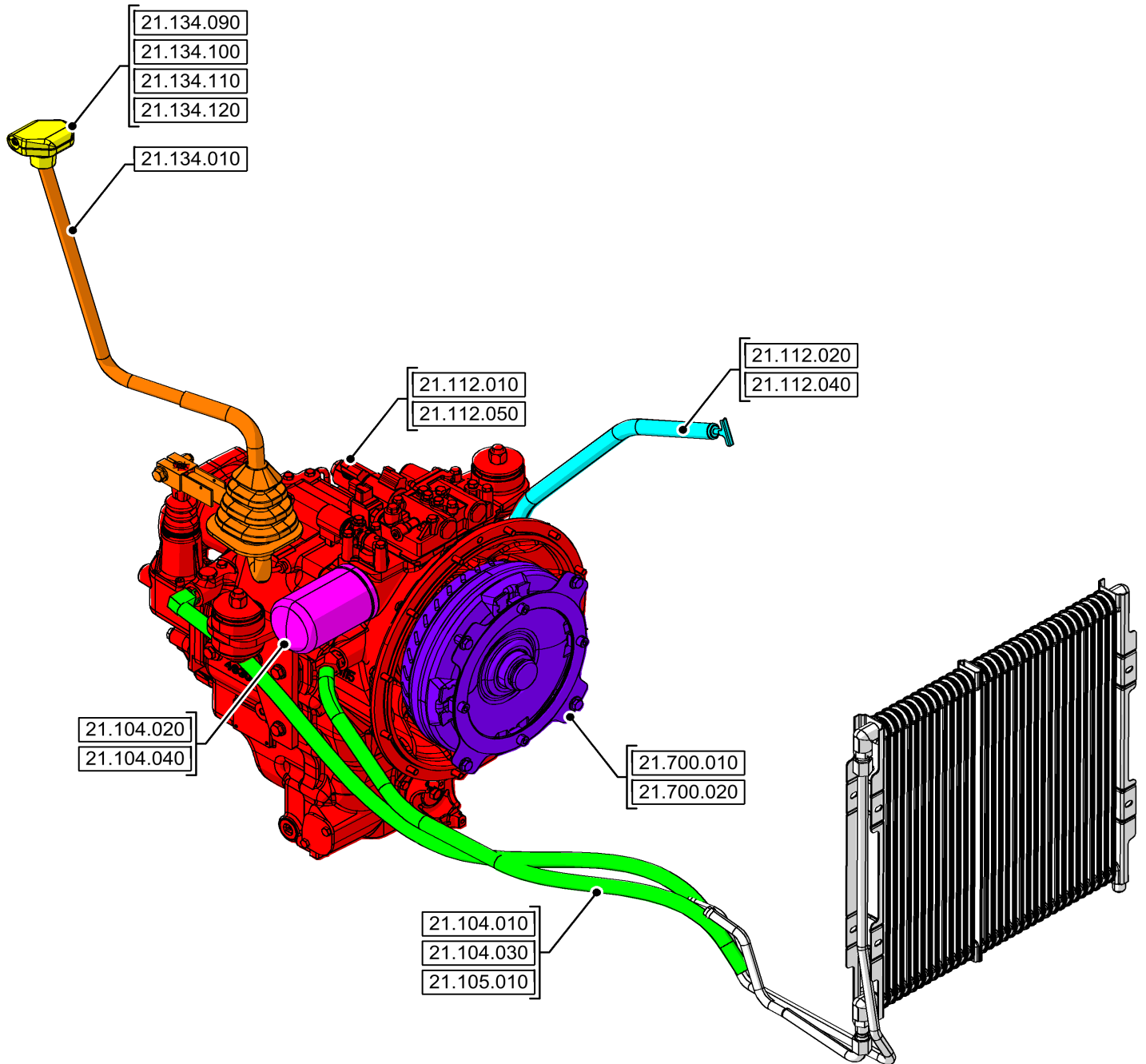
00.000.21

01

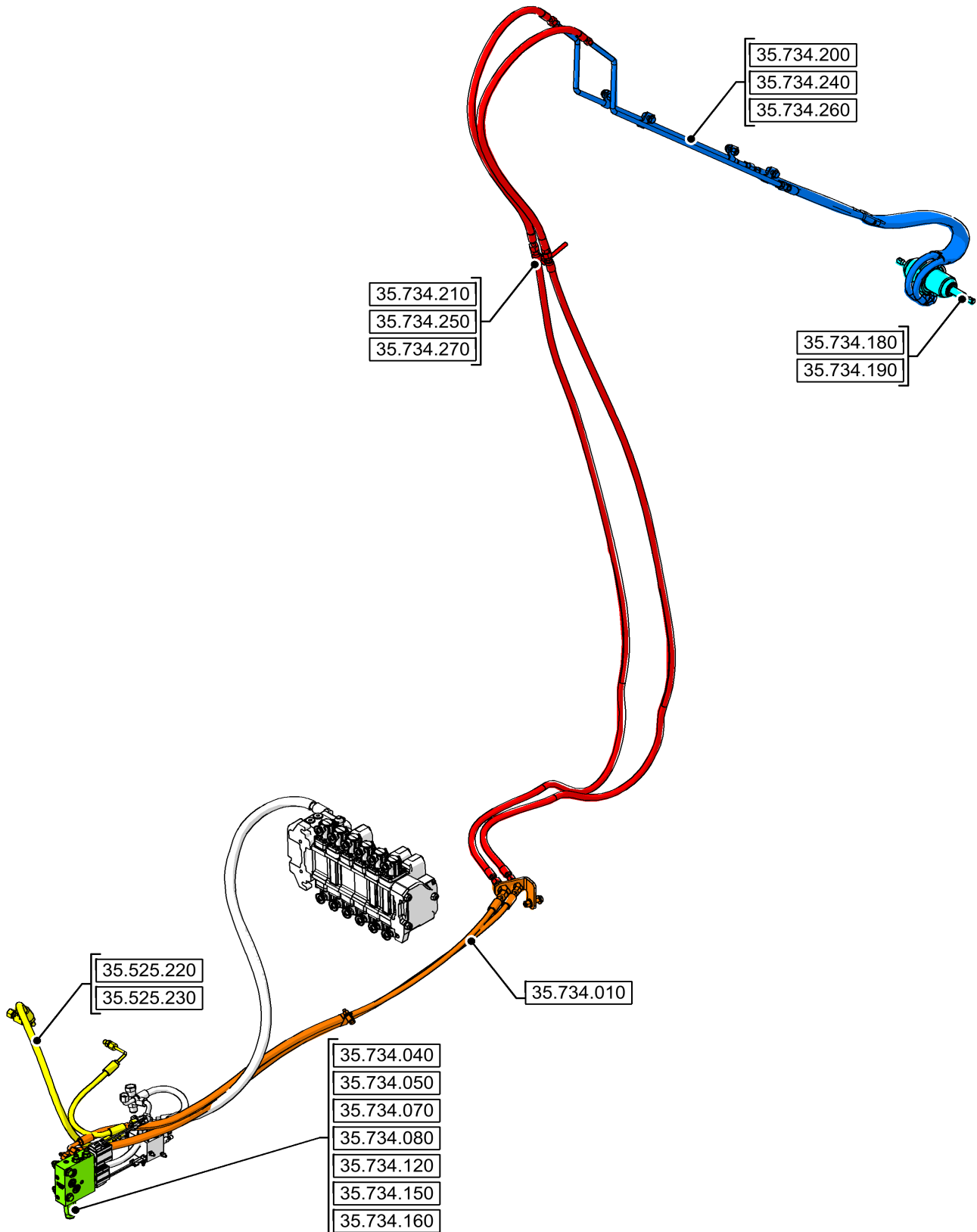
p1

8/2020

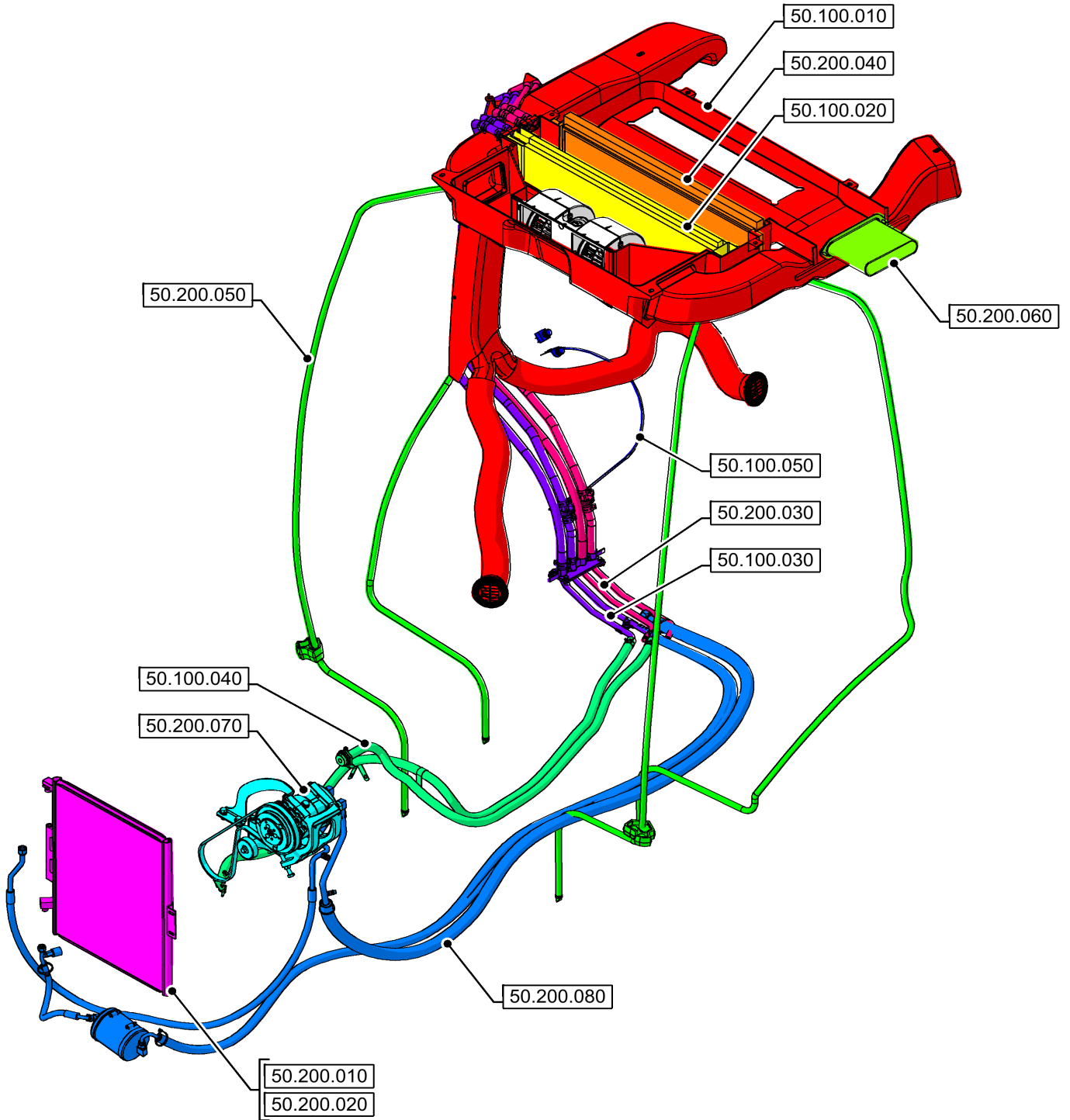
PICTORIAL INDEX - TRANSMISSION, POWERSHUTTLE



PICTORIAL INDEX - HYDRAULIC SYSTEMS



PICTORIAL INDEX - CAB CLIMATE CONTROL



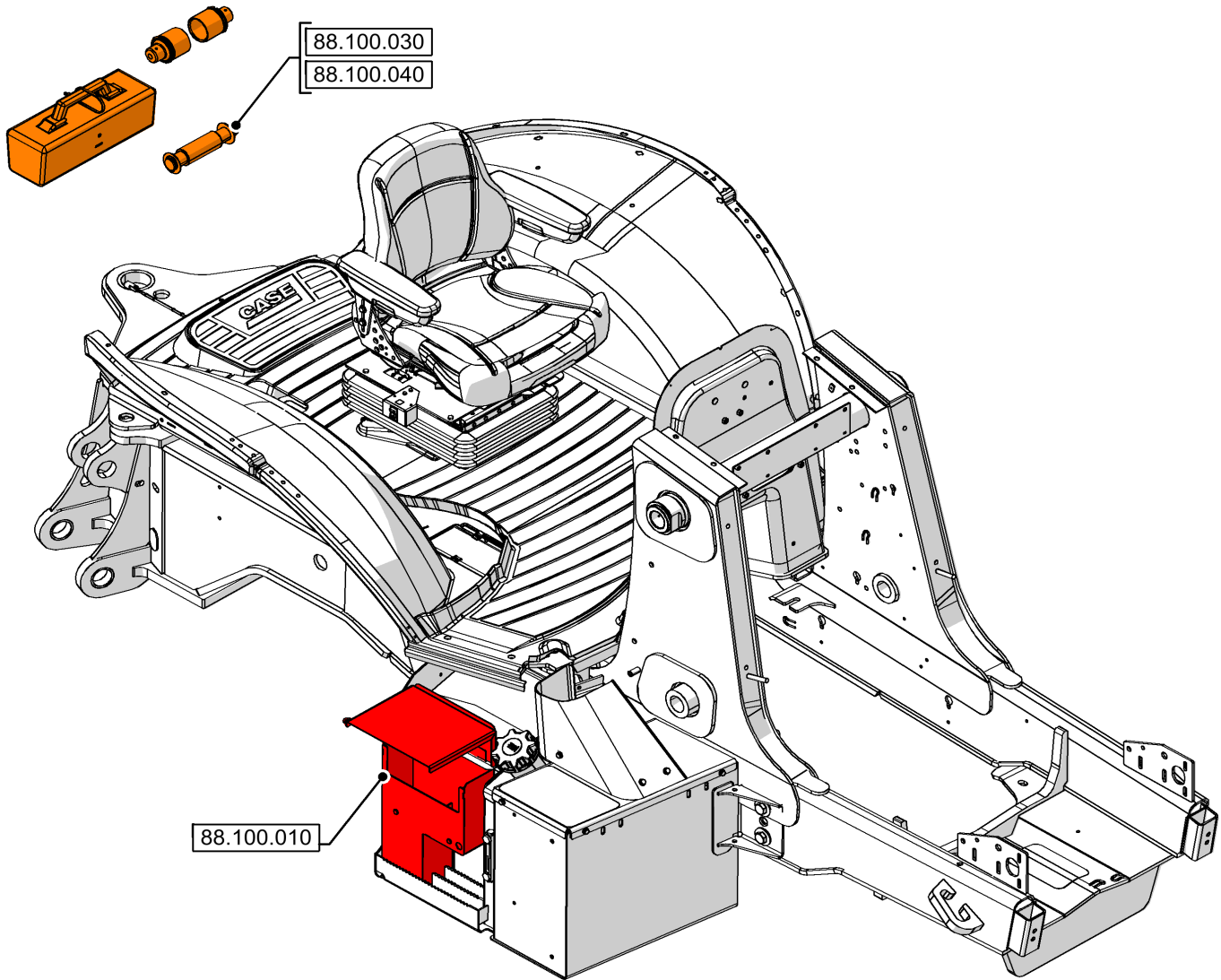
00.000.88

02

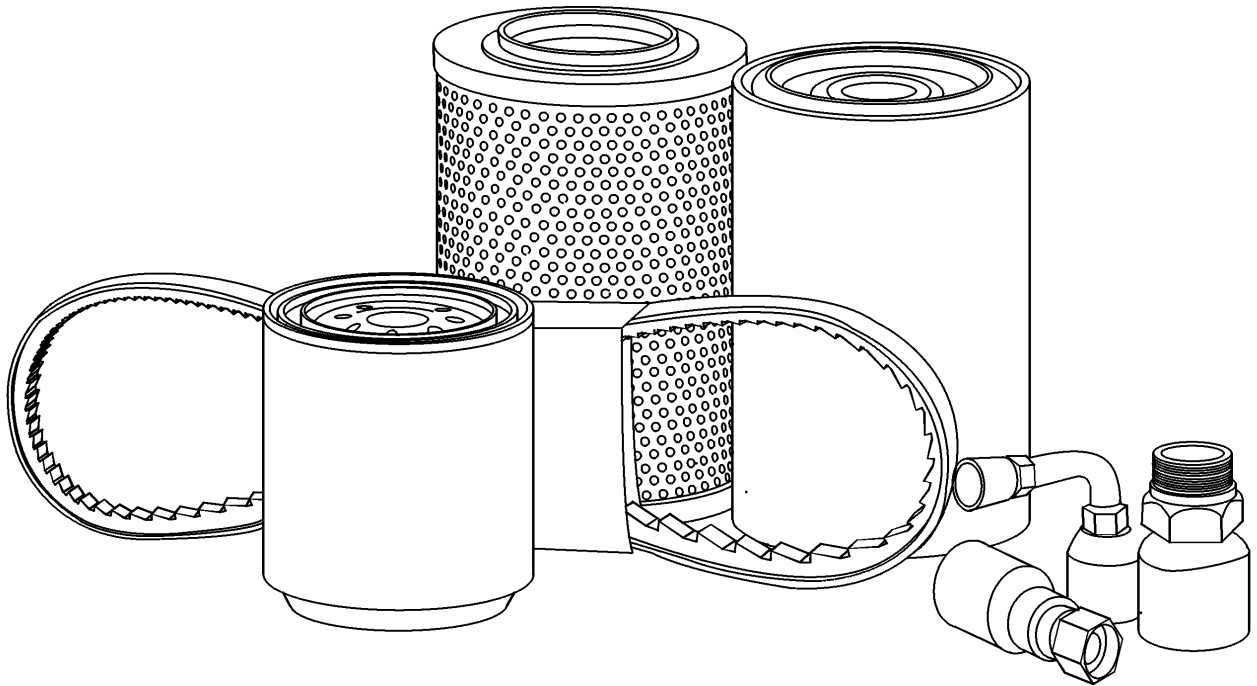
p1

8/2020

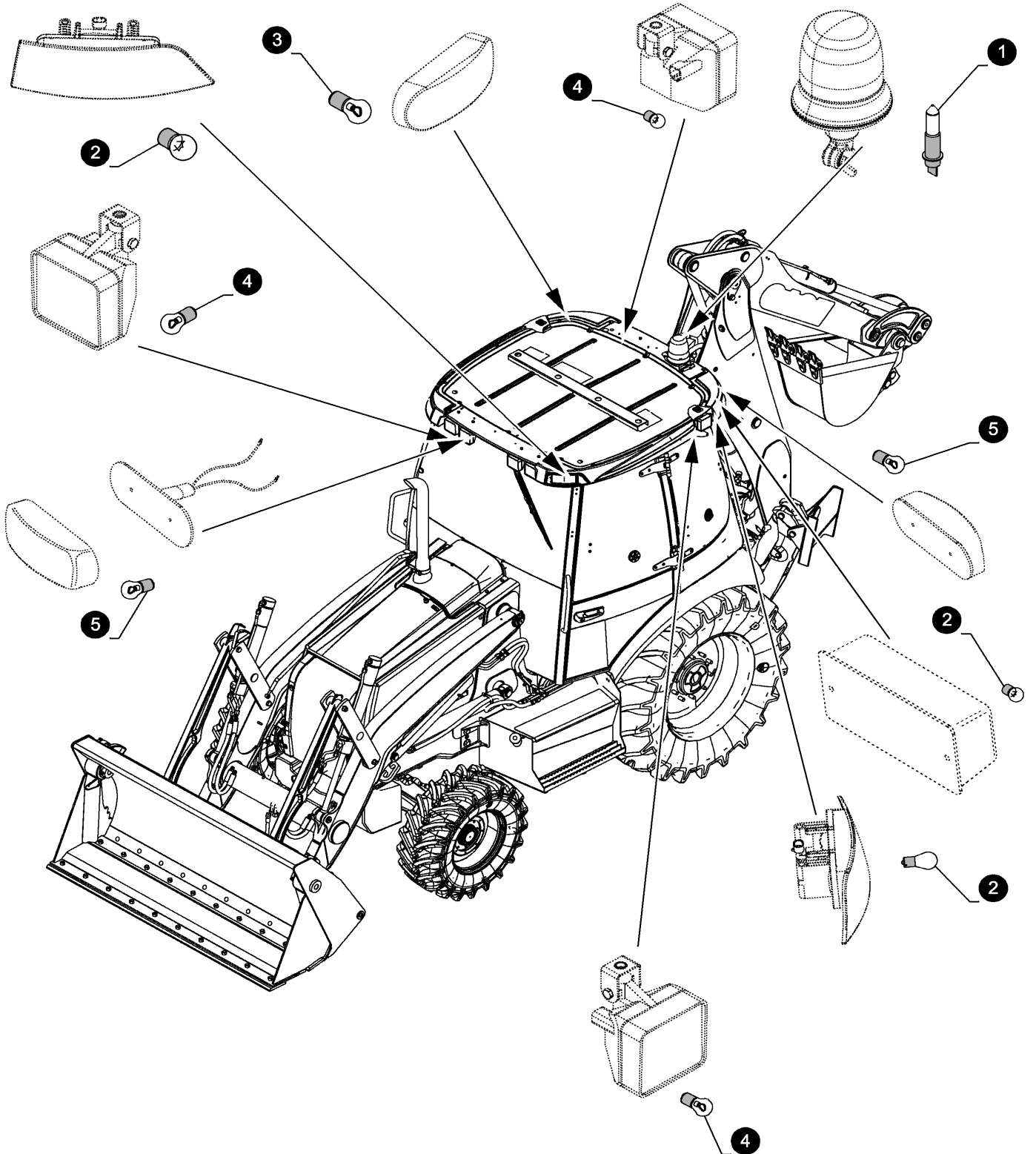
PICTORIAL INDEX - ACCESSORIES



INITIAL STOCKING LIST (LIST A)



MAINTENANCE PARTS - BULBS



VAR - 423093 - AIR CLEANER, COLD START, INSULATION

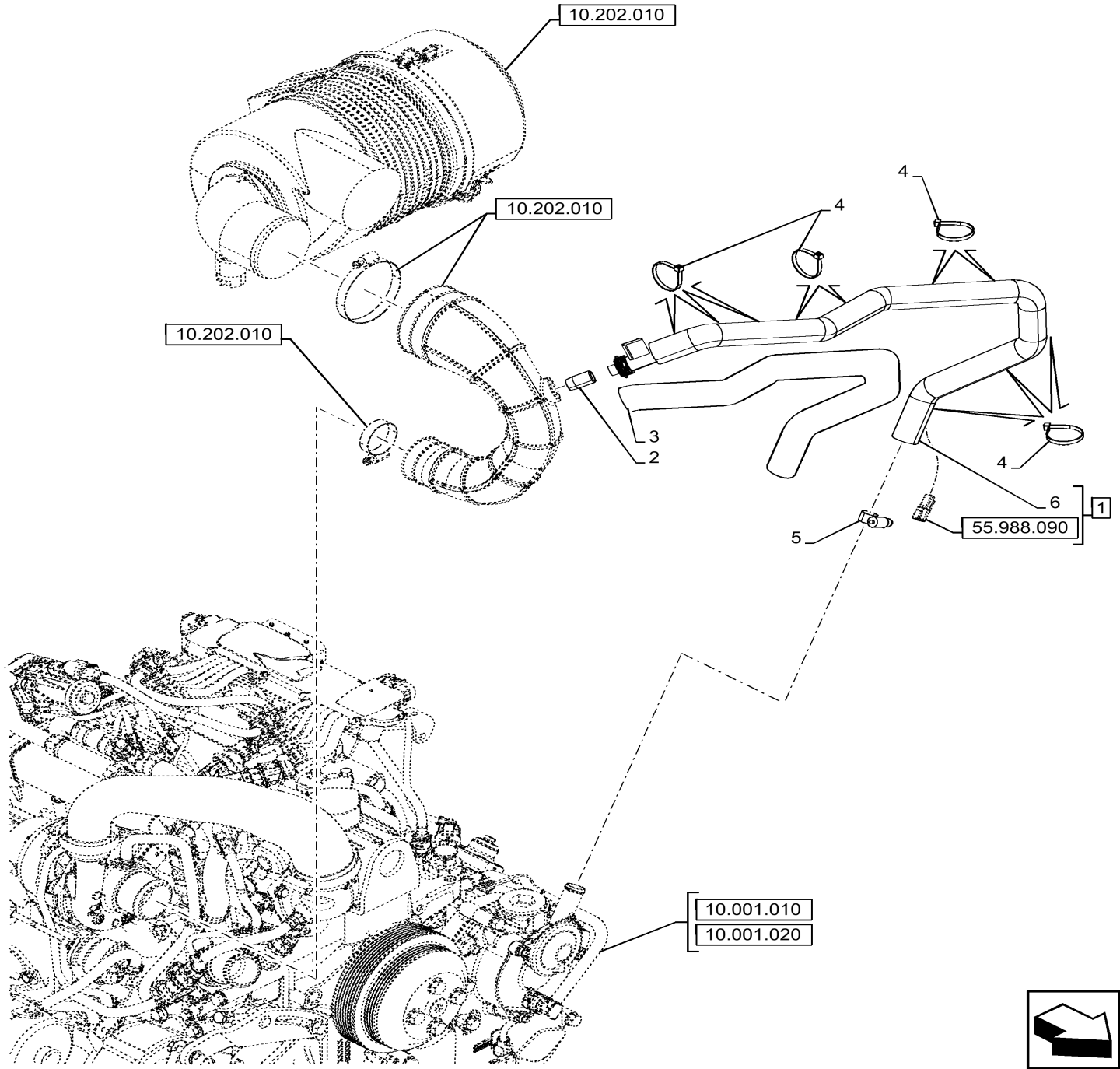


Figure is Valid with Commercial Var. 423093

10.310.030

p1

8/2020

VAR - 747853, 747855 - AFTERCOOLER

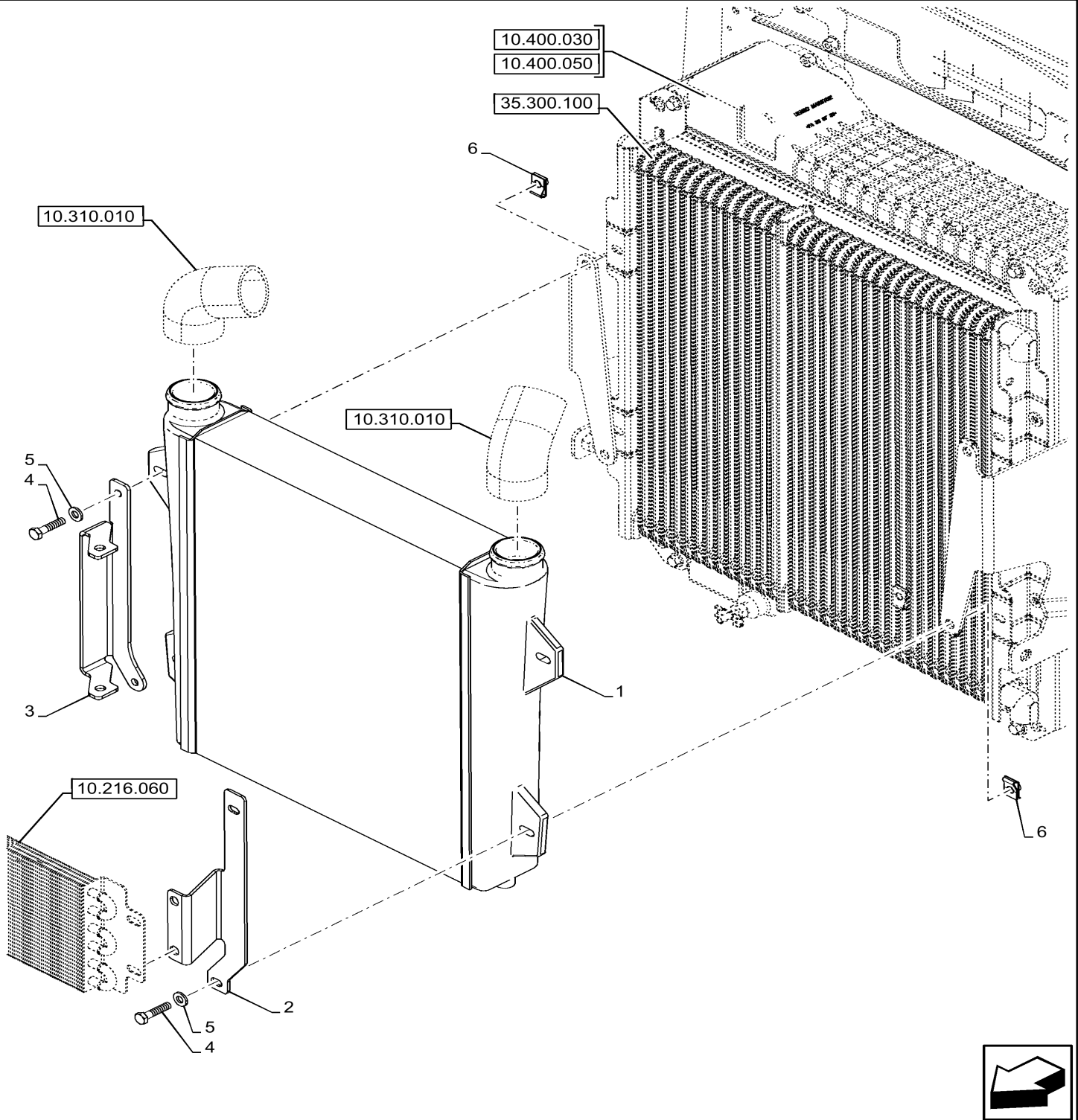


Figure is Valid with Commercial Var. 747853 or Var. 747855

10.500.060

p1

8/2020

SELECTIVE CATALYTIC REDUCTION, MUFFLER

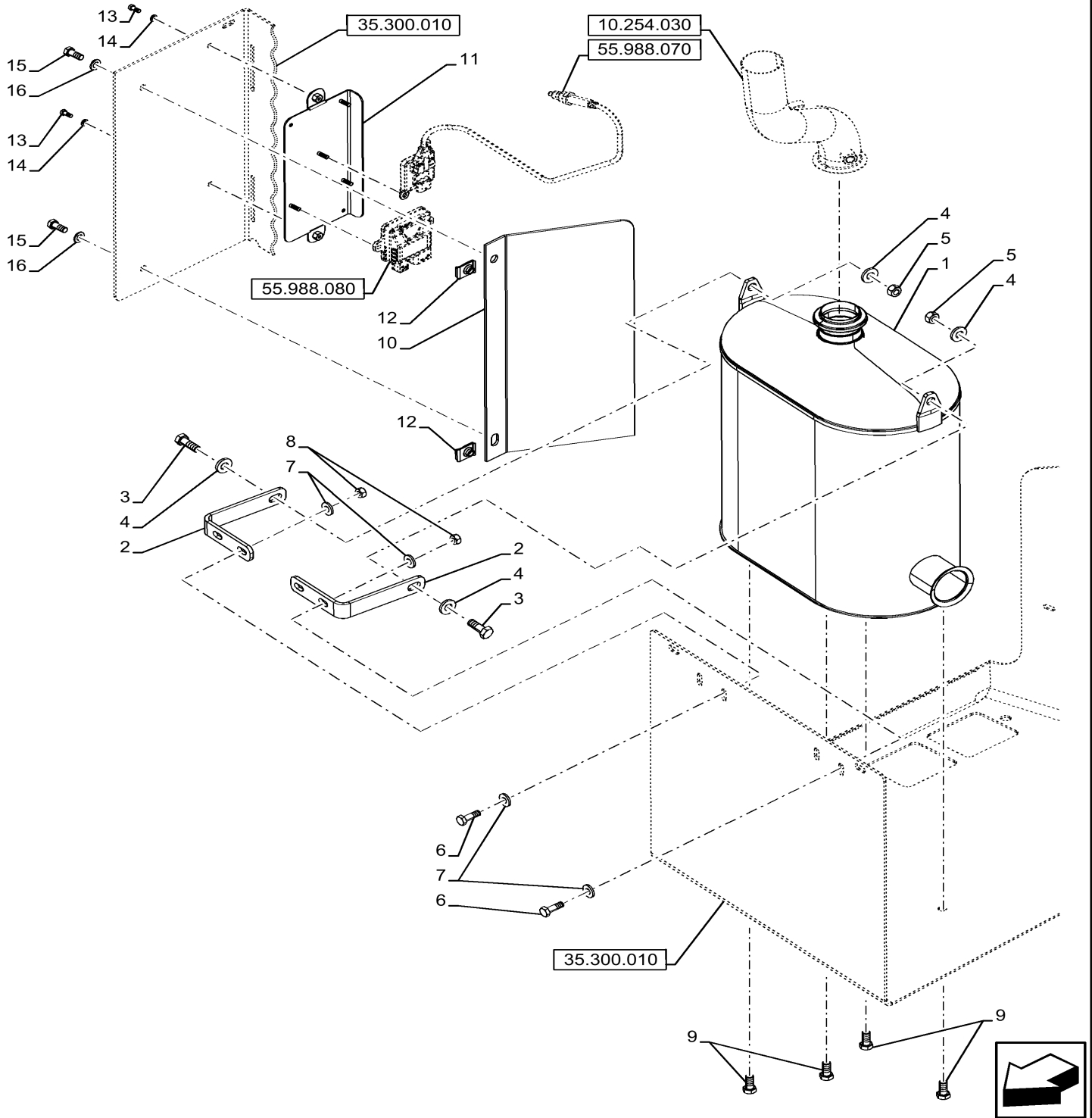


Figure is Valid with STD Equipment

21.104.030

p1

8/2020

VAR - 423058, 423059 - TRANSMISSION, POWERSHUTTLE, OIL COOLER, LINE, 2WD

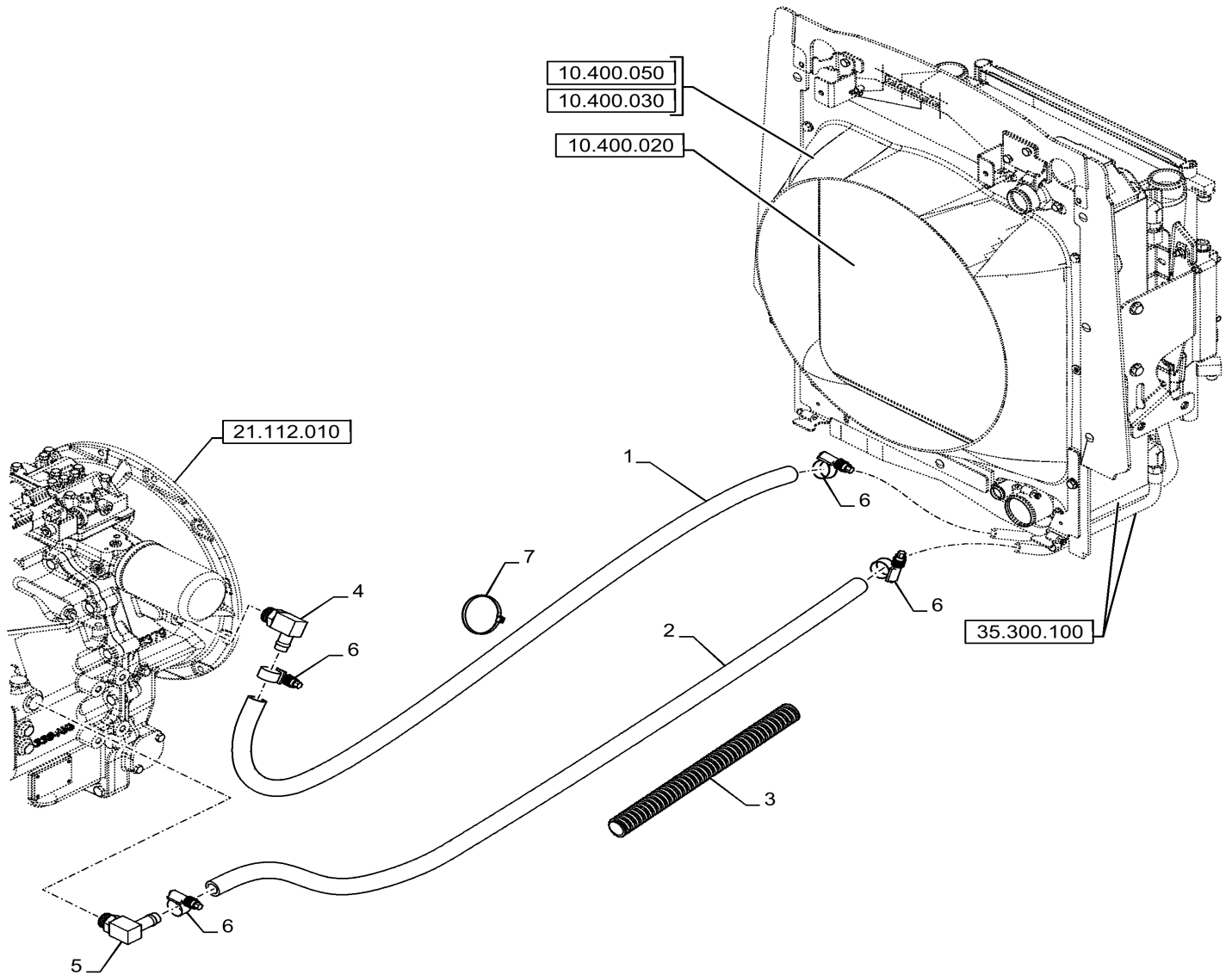


Figure is Valid with Commercial Var. 423058 or Var. 423059

VAR - 423059 - TRANSMISSION, POWERSHUTTLE, COMPONENTS, HOUSING, 4WD

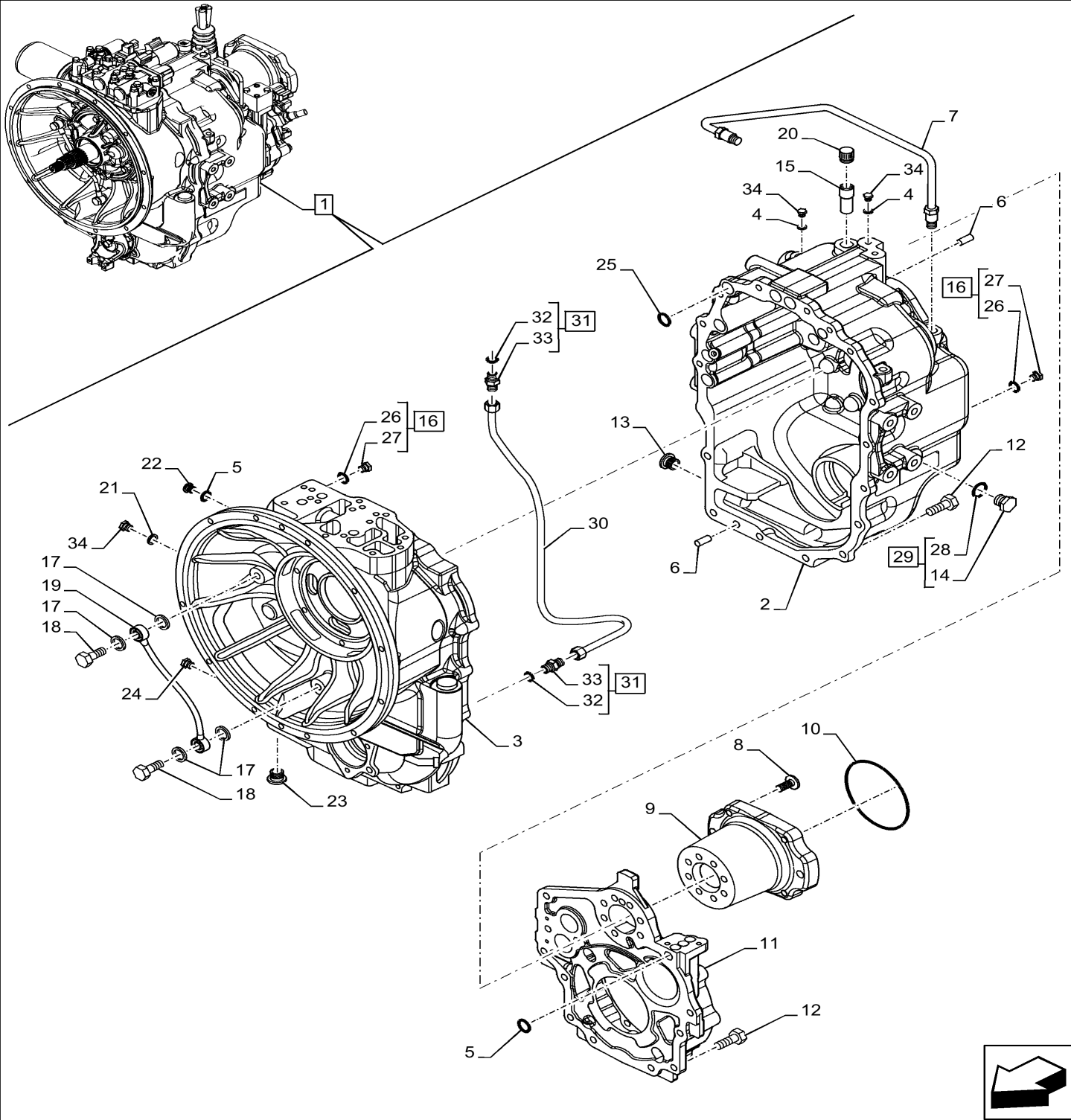


Figure is Valid with Commercial Var. 423059

21.134.100

p1

8/2020

POWERSHUTTLE TRANSMISSION, KNOB, W/ STD CANOPY

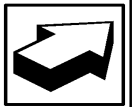
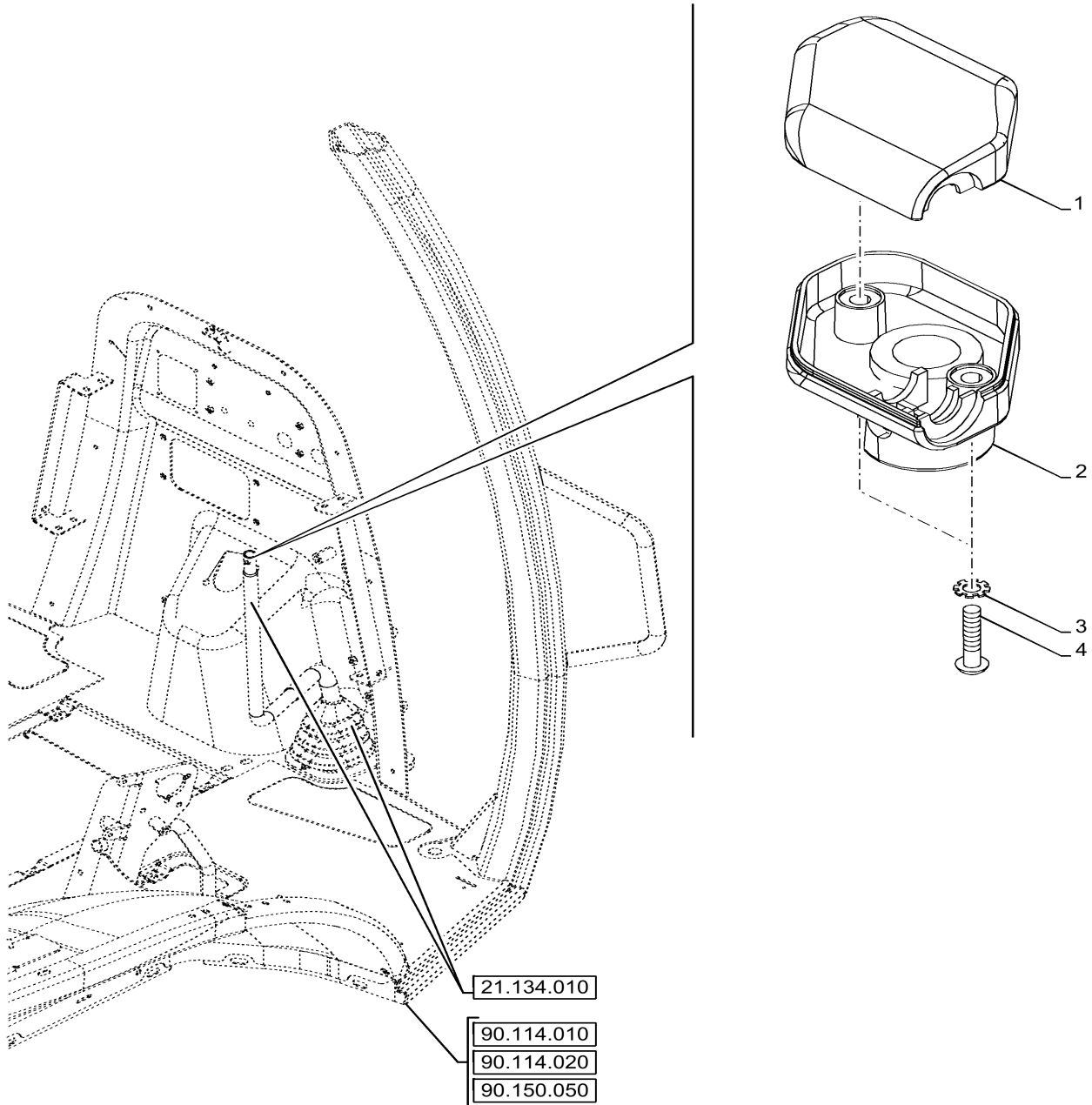


Figure is Valid with STD Equipment only when Var. 442082 (STD Canopy) is Equipped

VAR - 423059 - TRANSMISSION, POWERSHUTTLE, COMPONENTS, DRIVE SHAFT, 4WD

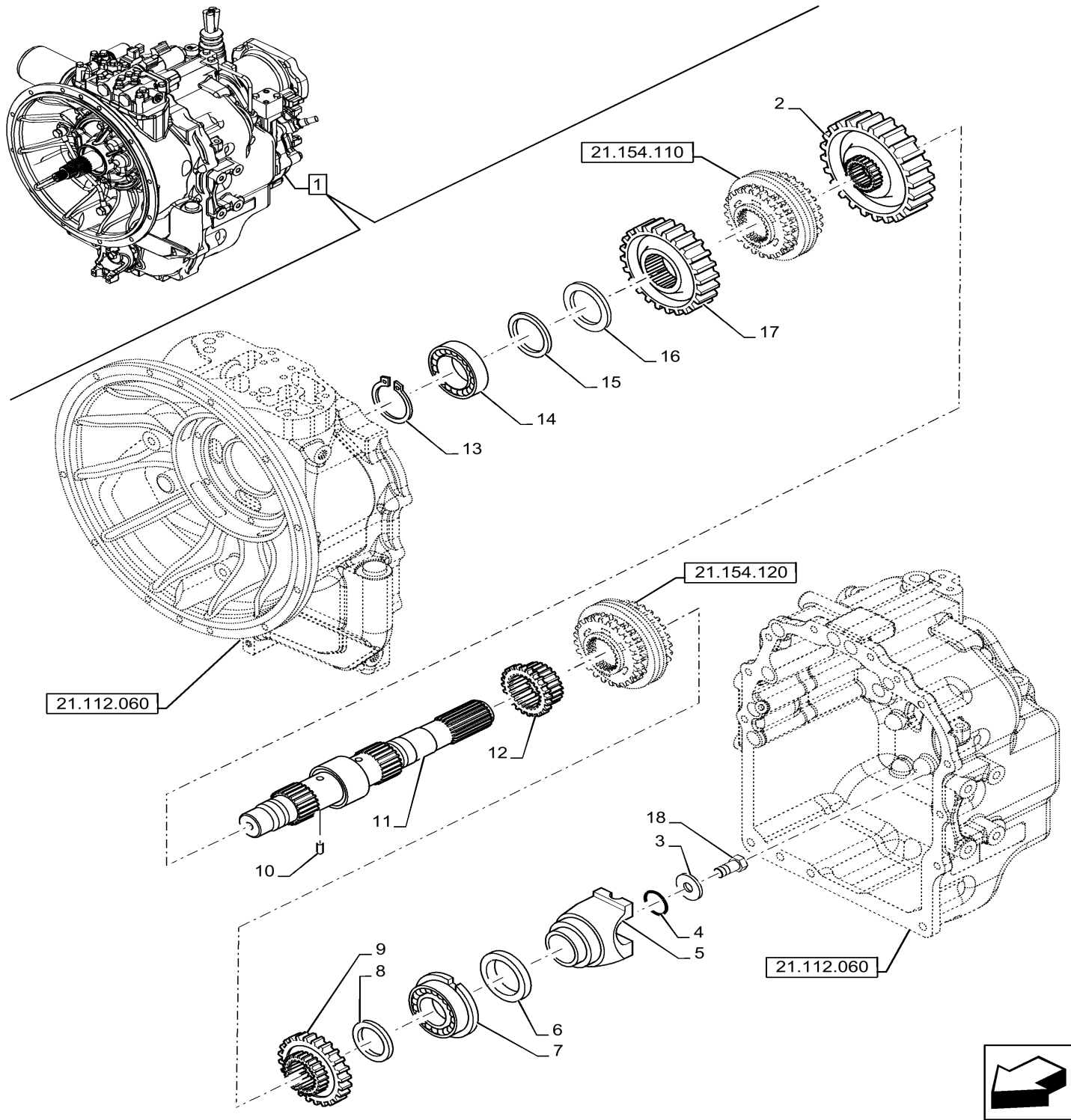


Figure is Valid with Commercial Var. 423059

21.700.025

p1

8/2020

VAR - 423058, 423059 - TRANSMISSION, POWERSHUTTLE, TORQUE CONVERTER

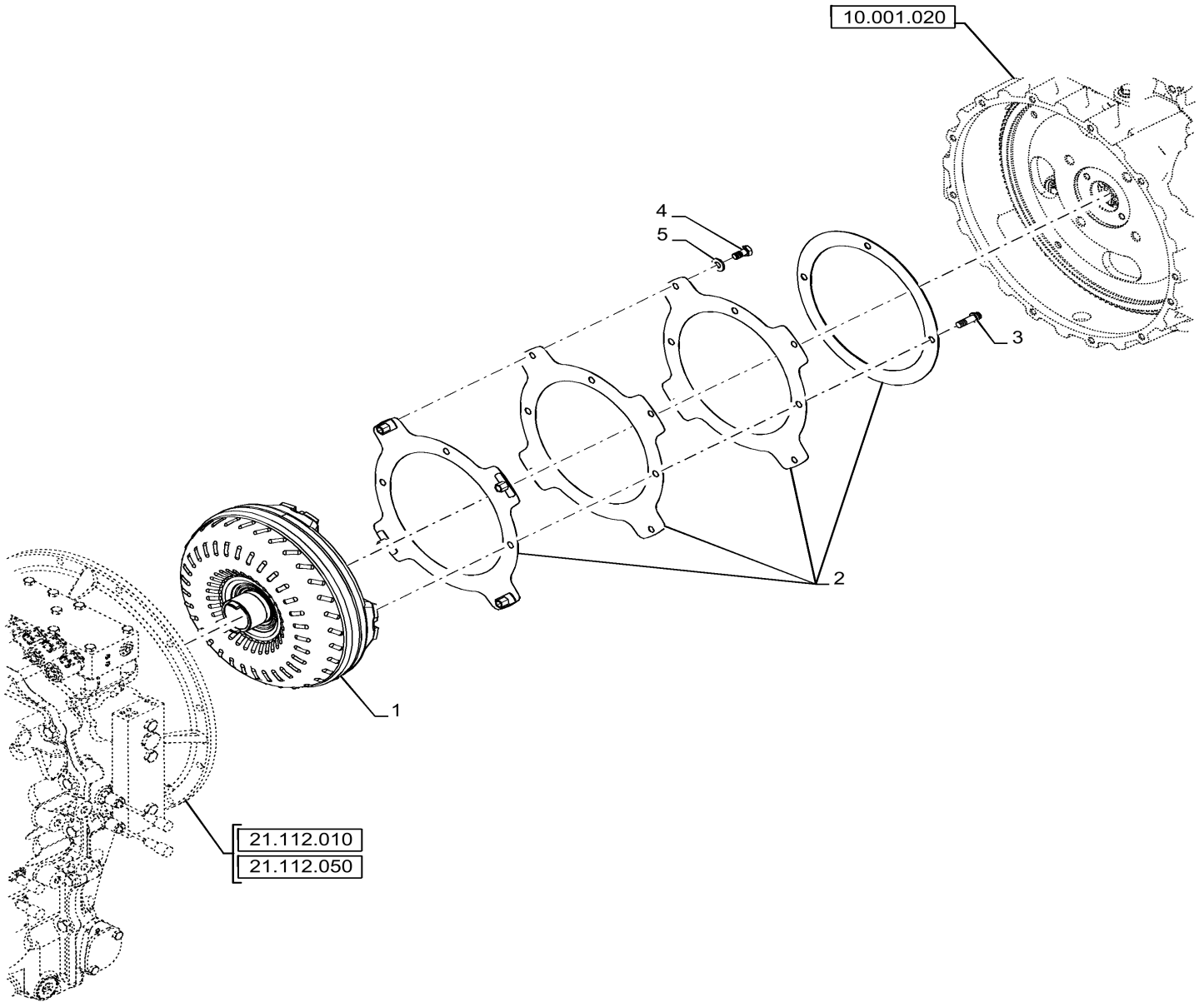


Figure is Valid with Commercial Var. 423058 or Var. 423059

25.100.010

p1

8/2020

VAR - 745269 - FRONT AXLE, 4WD

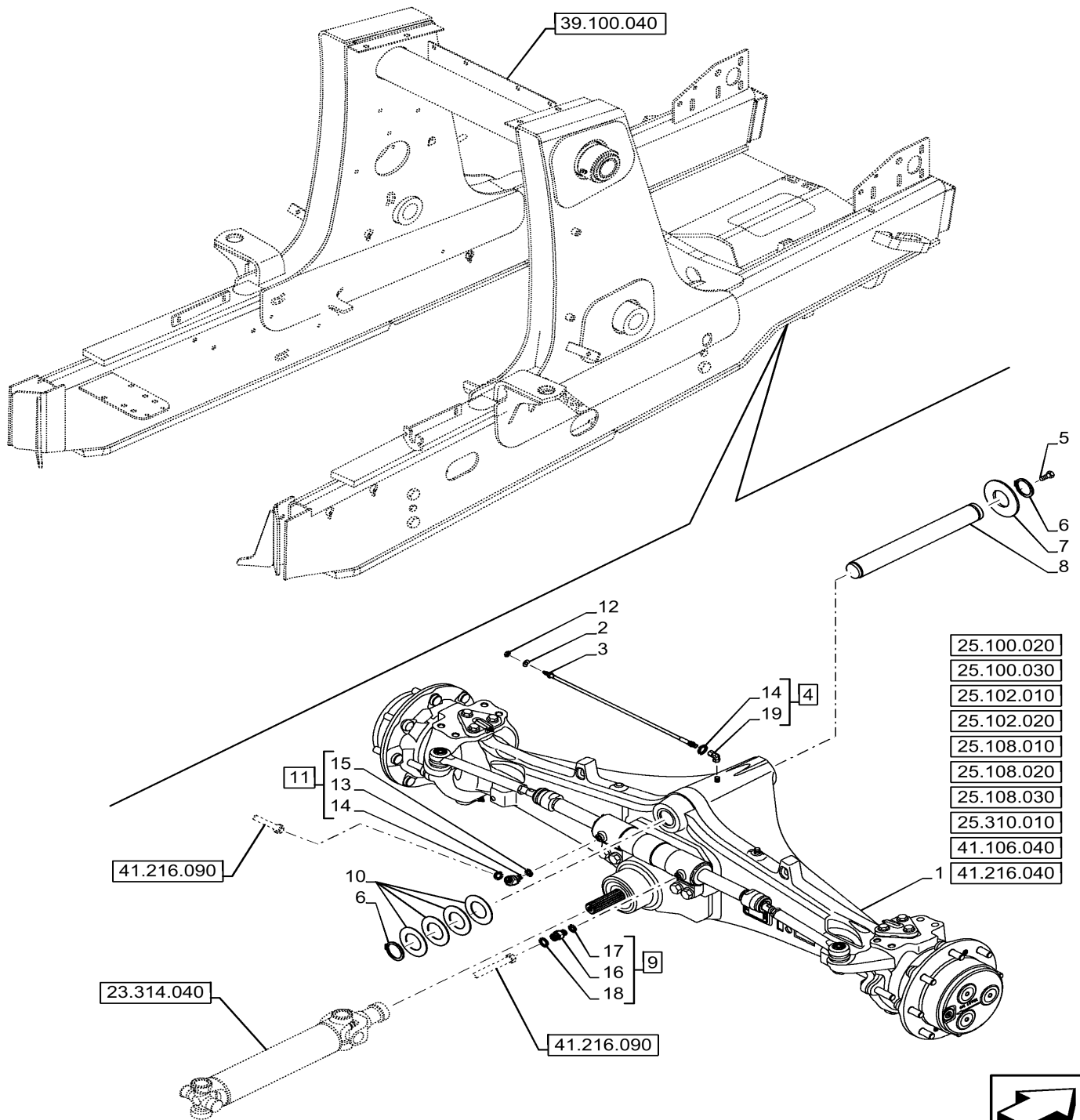


Figure is Valid with Commercial Var. 745269



25.108.010

p1

8/2020

VAR - 745269 - FRONT AXLE, COMPONENTS, STEERING KNUCKLE, PIN, STD, 4WD

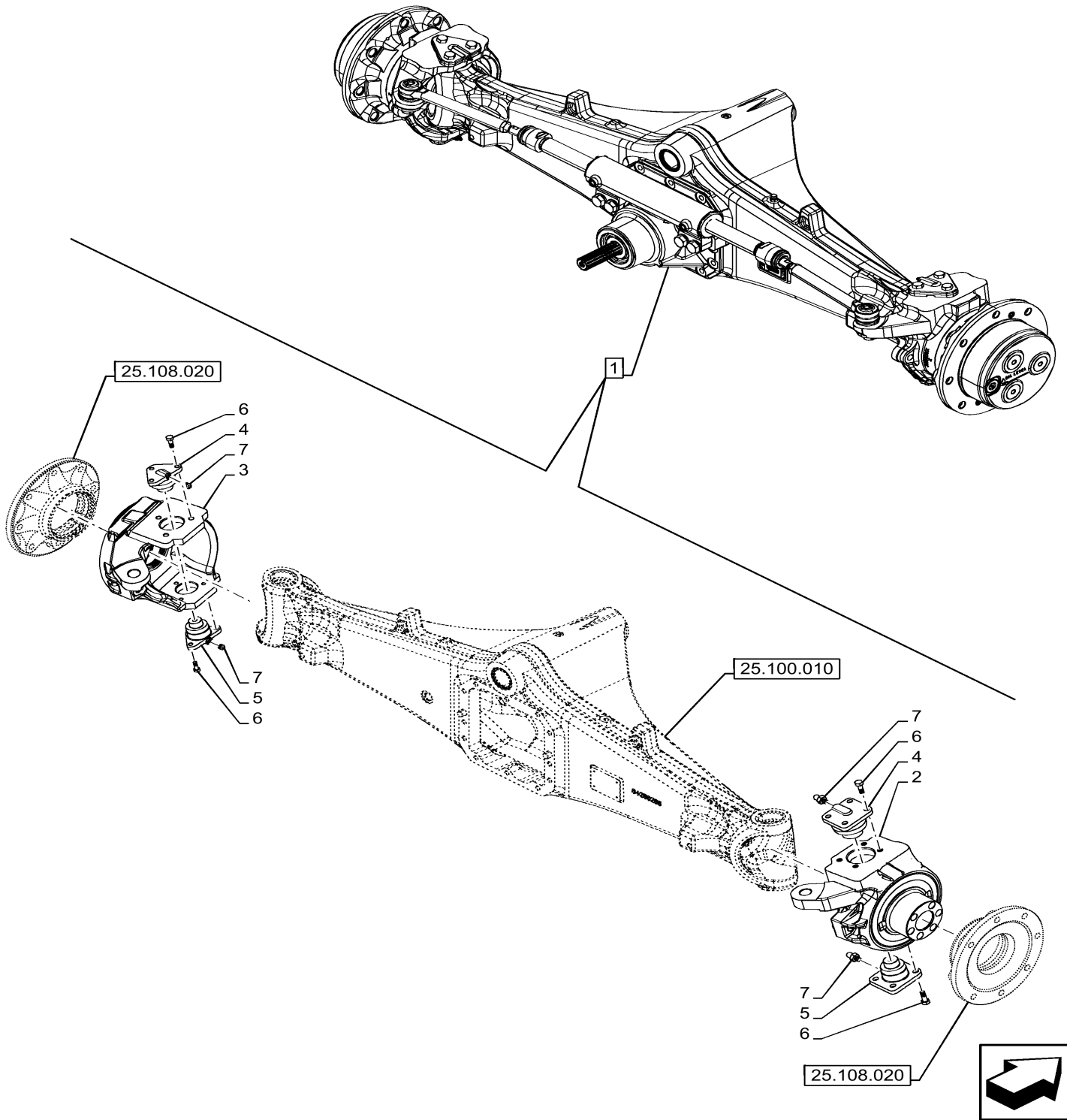


Figure is Valid with Commercial Var. 745269

27.100.040

p1

8/2020

REAR AXLE, HOUSING

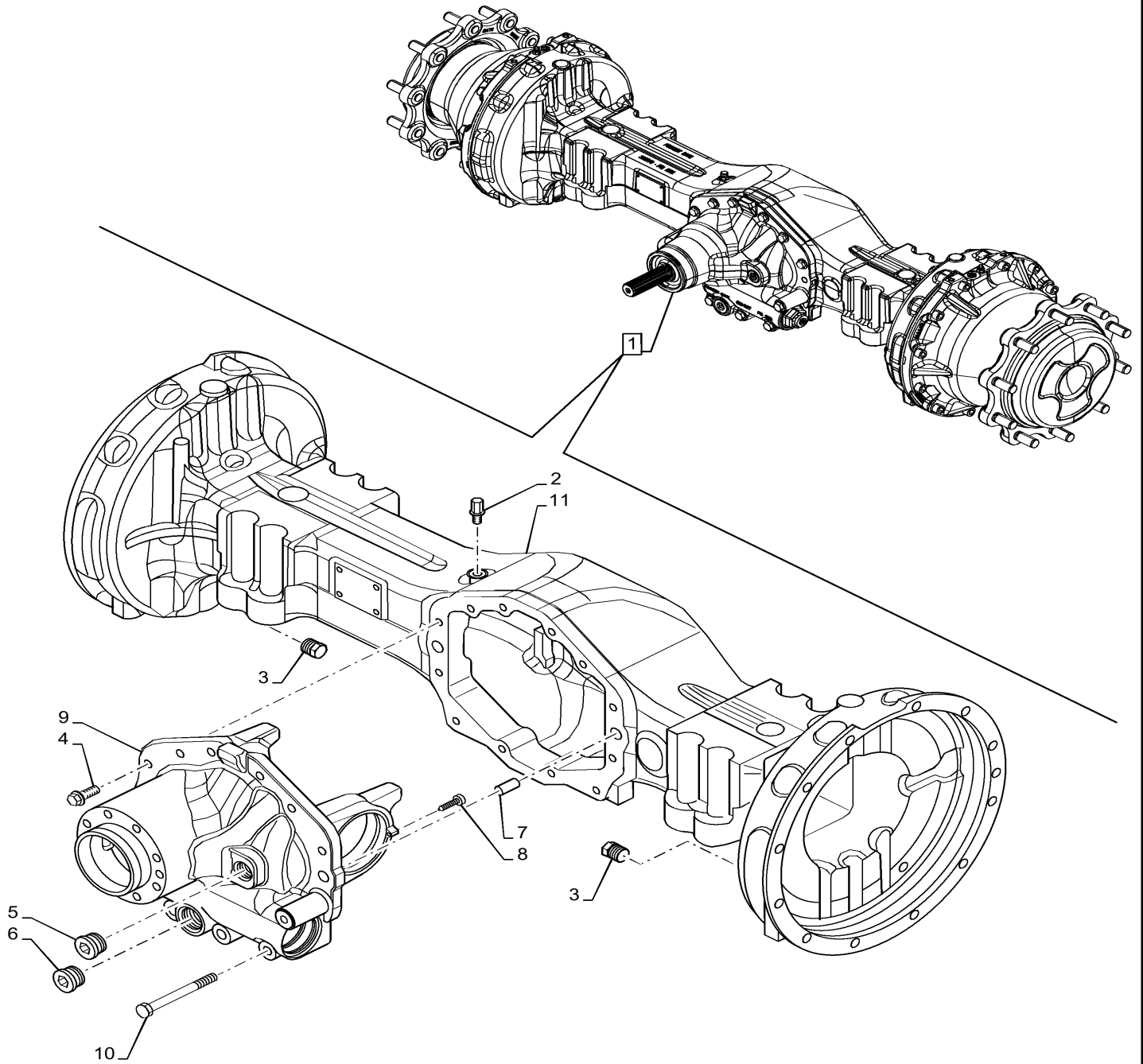
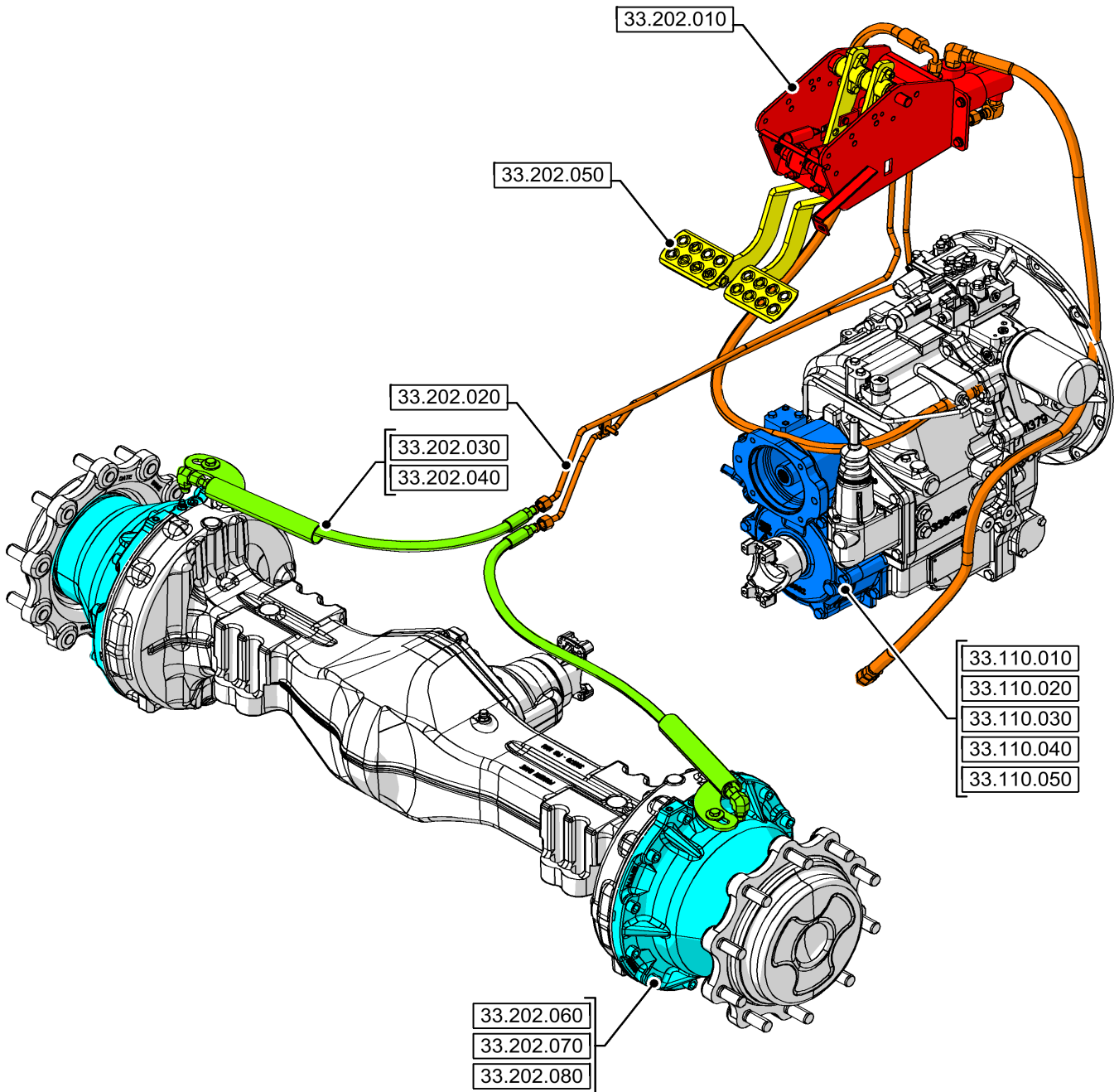


Figure is Valid with STD Equipment

SECTION INDEX - BRAKES & CONTROLS



SECTION INDEX

HYDRAULIC SYSTEMS

35.000.00	01	SECTION INDEX - HYDRAULIC SYSTEMS
35.000.00	02	SECTION INDEX - HYDRAULIC SYSTEMS
35.000.00	03	SECTION INDEX - HYDRAULIC SYSTEMS
35.000.00	05	SECTION INDEX - HYDRAULIC SYSTEMS
35.000.00	06	SECTION INDEX - HYDRAULIC SYSTEMS
35.000.00	07	SECTION INDEX - HYDRAULIC SYSTEMS
35.000.00	08	SECTION INDEX - HYDRAULIC SYSTEMS
35.000.00	09	SECTION INDEX - HYDRAULIC SYSTEMS
35.000.00	10	SECTION INDEX - HYDRAULIC SYSTEMS
35.000.00	11	SECTION INDEX - HYDRAULIC SYSTEMS
35.106.060	01	HYDRAULIC SYSTEM, DIAGNOSTIC COUPLER - END YR 16-FEB-2018
35.106.060	02	HYDRAULIC SYSTEM, DIAGNOSTIC COUPLER - BEGIN YR 17-FEB-2018
35.106.130		LOADER, HYDRAULIC PUMP, CONTROL VALVE, MECHANICAL, 2-SPOOL, LINE
35.106.140	01	LOADER, HYDRAULIC PUMP, CONTROL VALVE, PILOT CONTROLS, 2-SPOOL, LINE - END YR 16-FEB-2018
35.106.140	02	LOADER, HYDRAULIC PUMP, CONTROL VALVE, PILOT CONTROLS, 2-SPOOL, LINE - BEGIN YR 17-FEB-2018
35.106.150		LOADER, HYDRAULIC PUMP, CONTROL VALVE, MECHANICAL, 3-SPOOL, LINE
35.106.160		VAR - 747776 - LOADER, HYDRAULIC PUMP, CONTROL VALVE, MECHANICAL, 3-SPOOL, LINE
35.106.170	01	LOADER, HYDRAULIC PUMP, CONTROL VALVE, PILOT CONTROLS, 3-SPOOL, LINE - END YR 16-FEB-2018
35.106.170	02	LOADER, HYDRAULIC PUMP, CONTROL VALVE, PILOT CONTROLS, 3-SPOOL, LINE - BEGIN YR 17-FEB-2018
35.106.180	01	VAR - 747864 - LOADER, HYDRAULIC PUMP, CONTROL VALVE, PILOT CONTROLS, 3-SPOOL, LINE - END YR 16-FEB-2018
35.106.180	02	VAR - 747864 - LOADER, HYDRAULIC PUMP, CONTROL VALVE, PILOT CONTROLS, 3-SPOOL, LINE - BEGIN YR 17-FEB-2018
35.106.190		VARIABLE DISPLACEMENT HYDRAULIC PUMP, COUPLER, MECHANICAL, PORT
35.106.200		VARIABLE DISPLACEMENT HYDRAULIC PUMP, COUPLER, PILOT CONTROLS, PORT
35.106.220	01	VAR - 423080 - VARIABLE DISPLACEMENT HYDRAULIC PUMP, COUPLER, MECHANICAL, PORT, W/ HEATER - END YR 10-FEB-2018
35.106.220	02	VAR - 423080 - VARIABLE DISPLACEMENT HYDRAULIC PUMP, COUPLER, MECHANICAL, PORT, W/ HEATER - BEGIN YR 11-FEB-2018
35.106.230		VARIABLE DISPLACEMENT HYDRAULIC PUMP, PILOT CONTROLS, DRAIN LINE
35.106.240		VARIABLE DISPLACEMENT HYDRAULIC PUMP, MECHANICAL, DRAIN LINE
35.106.250		VARIABLE DISPLACEMENT HYDRAULIC PUMP (W/O POWER LIFT, W/O DUAL BATTERIES)
35.106.260		VARIABLE DISPLACEMENT HYDRAULIC PUMP (W/O POWER LIFT, W/O DUAL BATTERIES), COMPONENTS
35.106.270		VARIABLE DISPLACEMENT HYDRAULIC PUMP (W/ POWER LIFT, W/O DUAL BATTERIES)
35.106.280		VARIABLE DISPLACEMENT HYDRAULIC PUMP (W/ POWER LIFT, W/O DUAL BATTERIES), COMPONENTS

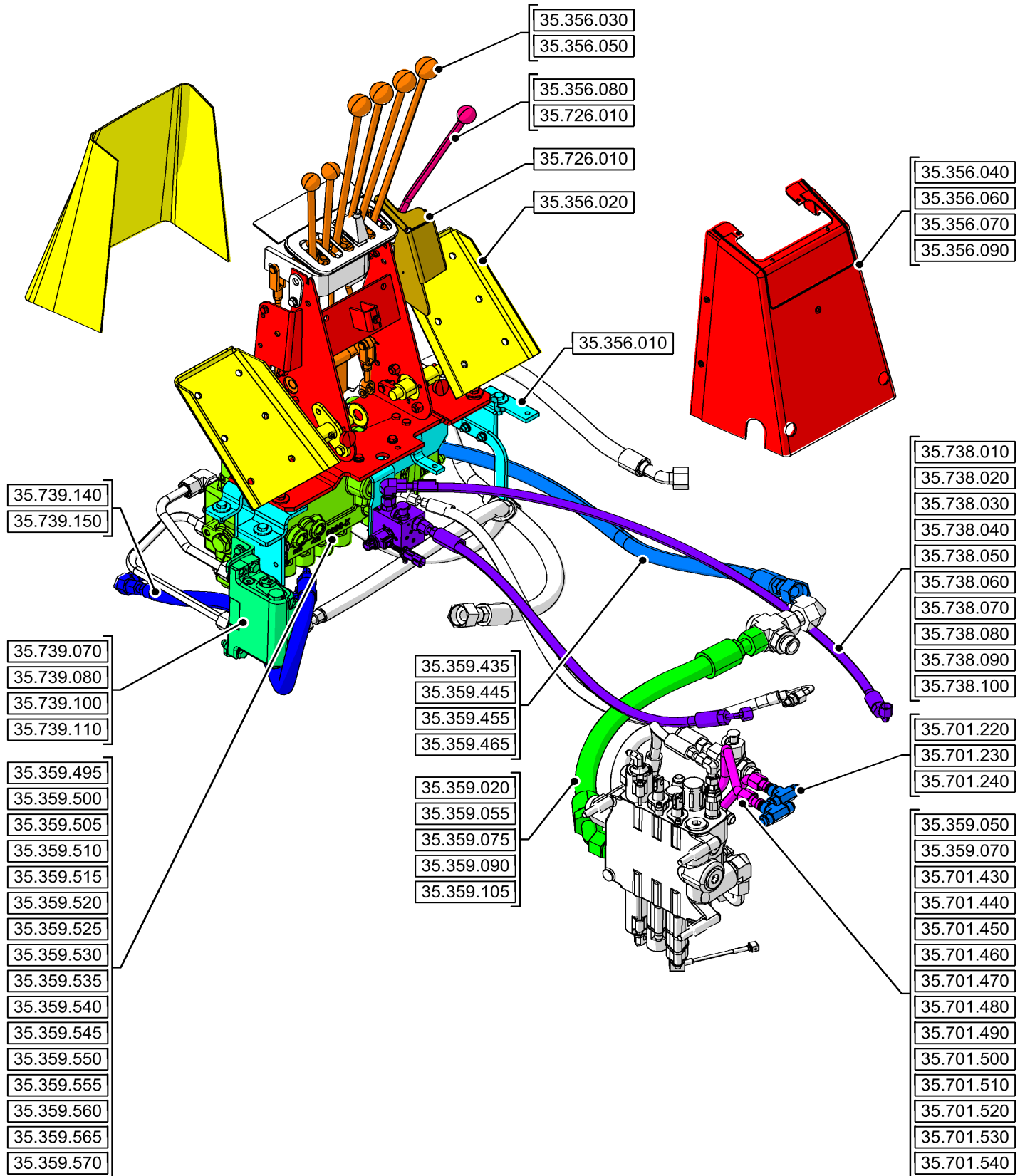
35.000.00

08

p1

8/2020

SECTION INDEX - HYDRAULIC SYSTEMS



35.106.170

02

p1

8/2020

LOADER, HYDRAULIC PUMP, CONTROL VALVE, PILOT CONTROLS, 3-SPOOL, LINE - BEGIN YR 17-FEB-2018

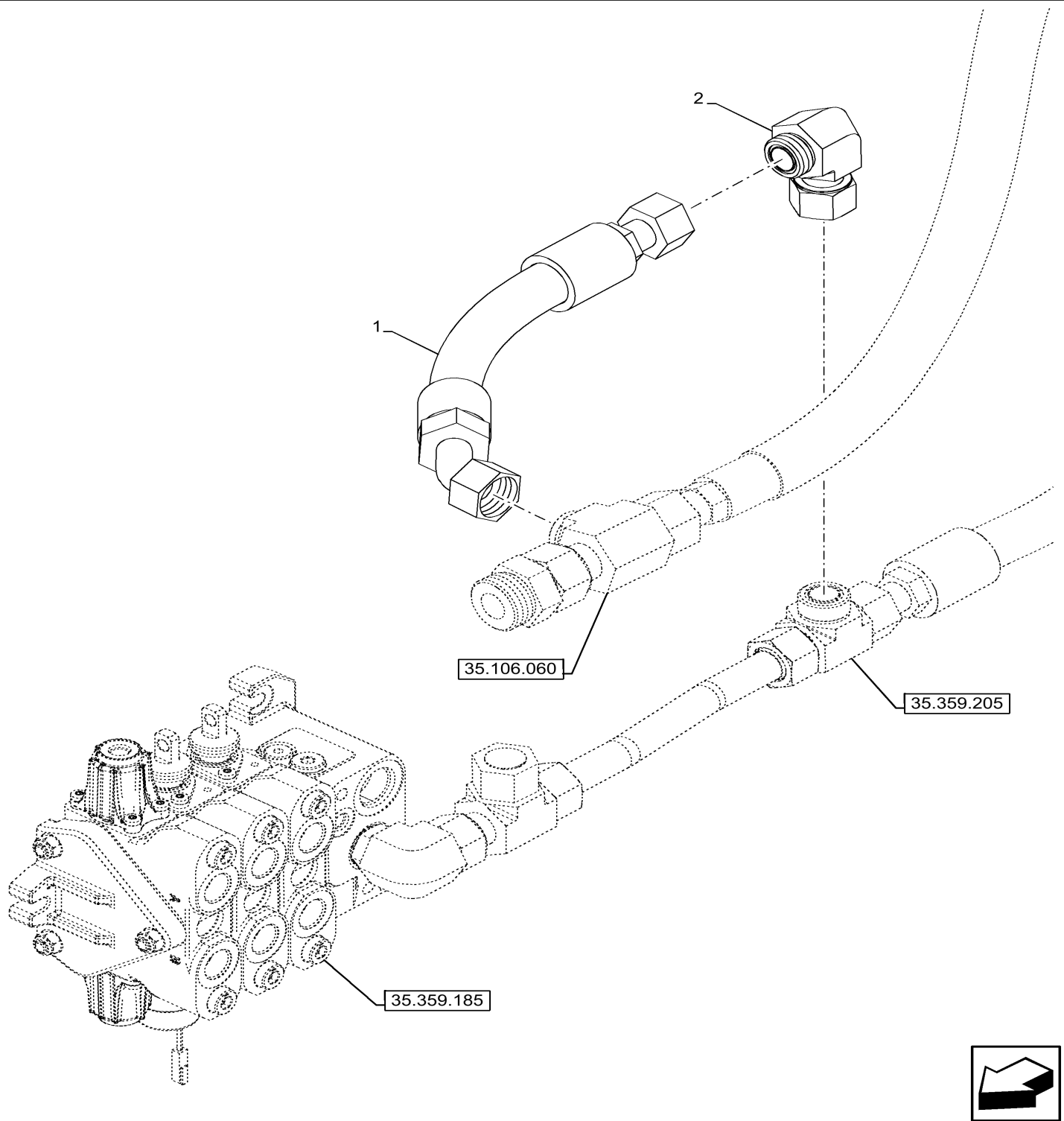


Figure is Valid with STD Equipment; D9359 After Date 16 February 2018

35.106.280

p1

8/2020

VARIABLE DISPLACEMENT HYDRAULIC PUMP (W/ POWER LIFT, W/O DUAL BATTERIES), COMPONENTS

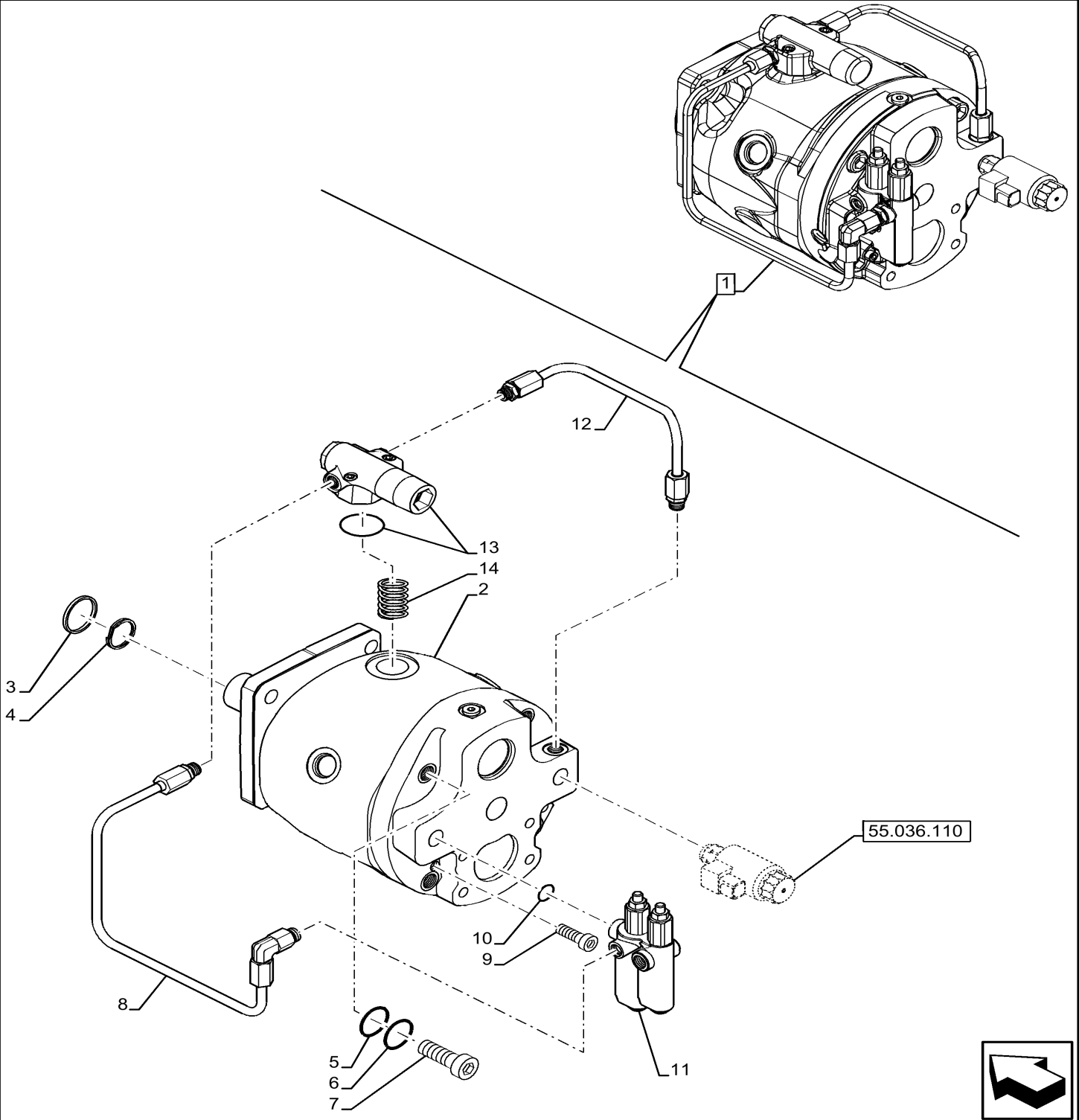


Figure is Valid with STD Equipment only when Var. 423078 (Pilot Control W/ Heavy Lift) or Var. 423080 (Heavy Lift) or Var. 742369 (2 Levers Control) or Var. X20038X (Standard Foot Swing Control) or Var. X02048X (W/O Cold Start Aid) or Var. X02033X (W/O Heavy Lift) is Equipped

35.355.010

p1

8/2020

VAR - 742369 - BACKHOE ARM, MECHANICAL CONTROL, SLEWING/SWING, LEVERS

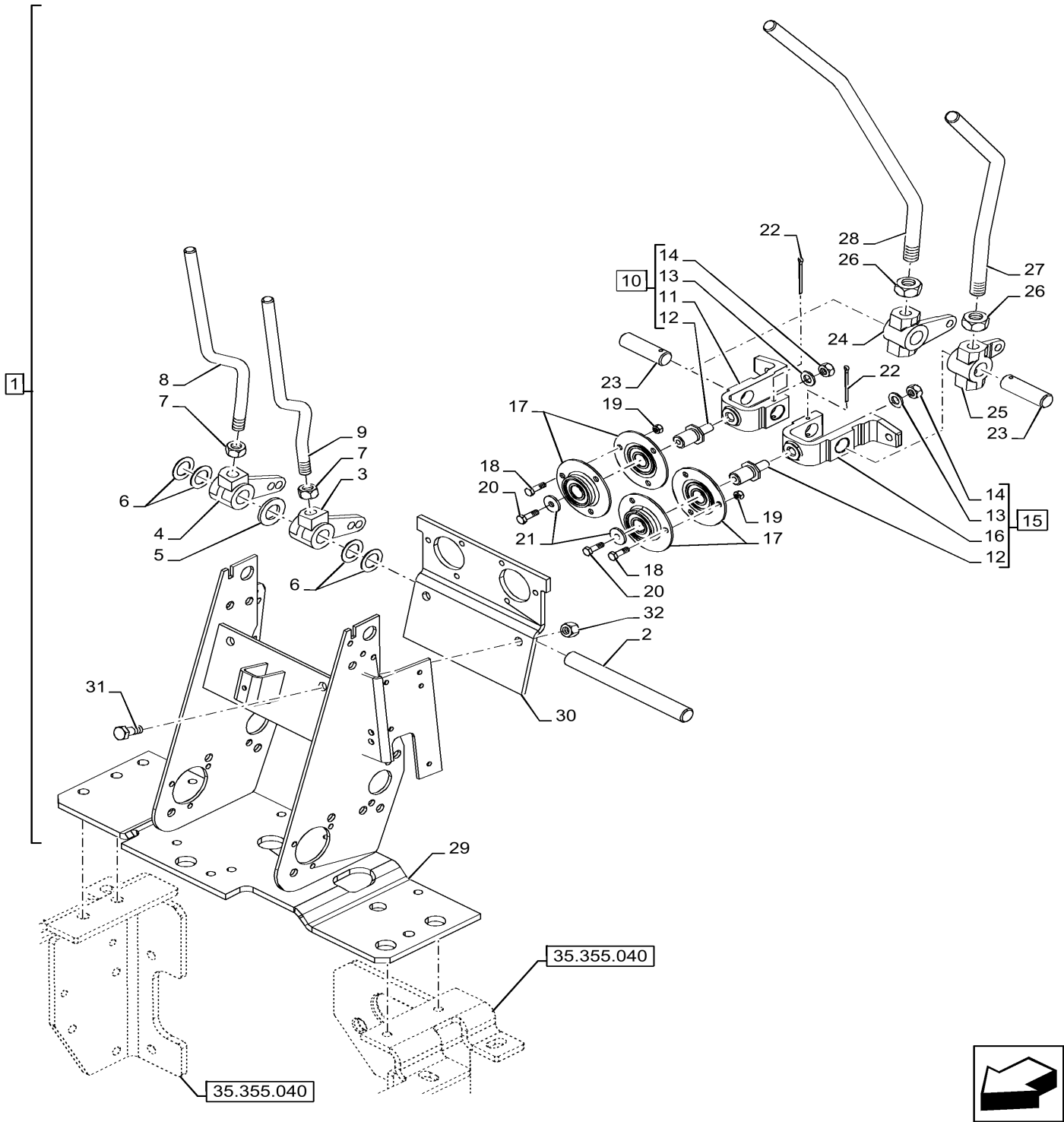


Figure is Valid with Commercial Var. 742369



35.356.030

p2

8/2020

BACKHOE CONTROL VALVE, 8-SPOOL, MECHANICAL CONTROL, EXTENDABLE DIPPER, FOOT SWING, W/O 2 LEVER CONTROLS, W/ DOUBLE AUXILIARY, MOUNTING PARTS

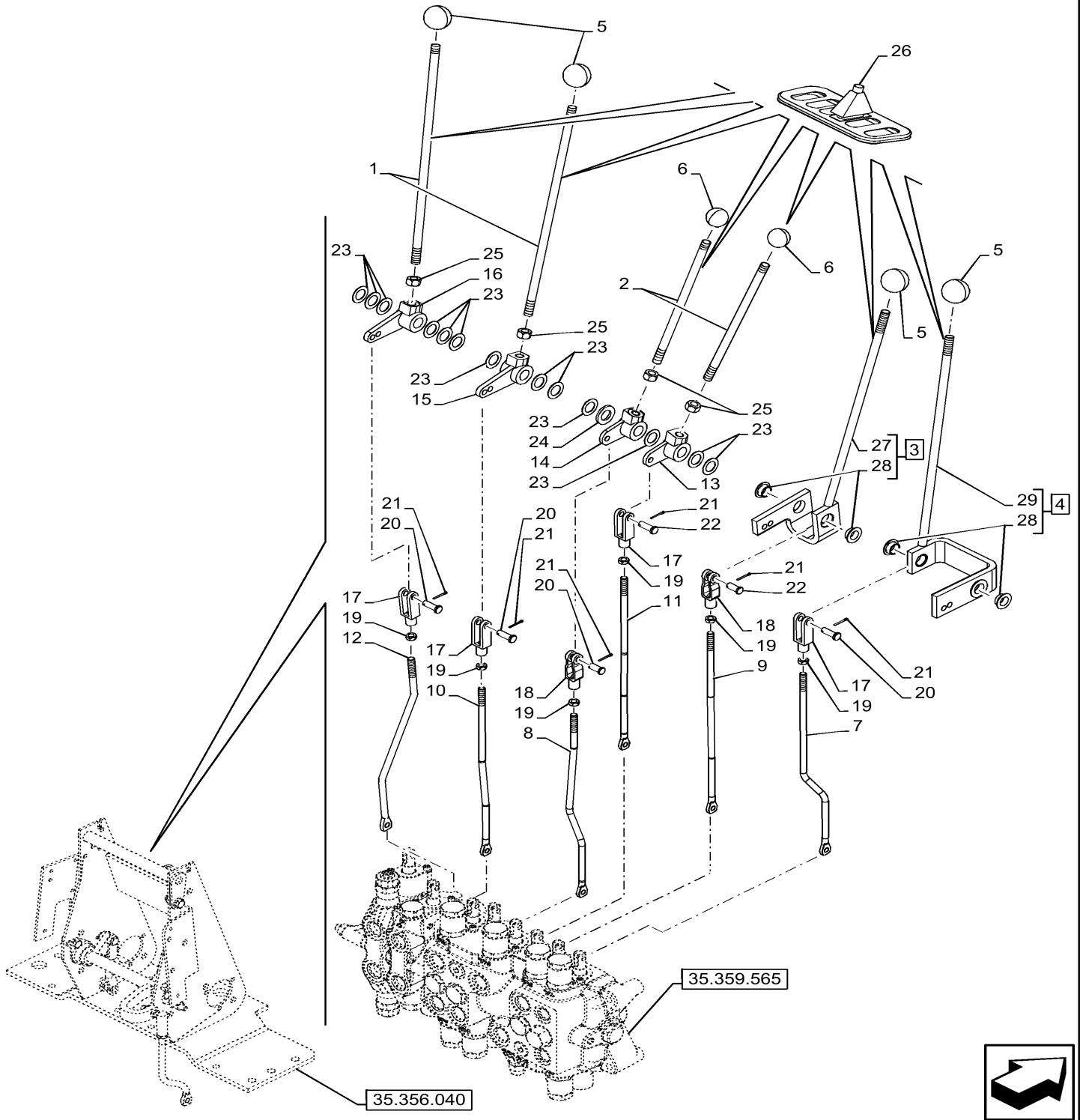


Figure is Valid with STD Equipment only when Var. 423076 (Extendahoe) or Var. 423083 (Combo Direct - Manual Controls) or Var. 423084 (Combo Direct - Pilot Controls) or Var. X20038X (Std Foot Swing Controls) is Equipped

35.357.020

p1

8/2020

VAR - 423078, 747669 - BACKHOE ARM, PILOT CONTROLS, SUPPORT

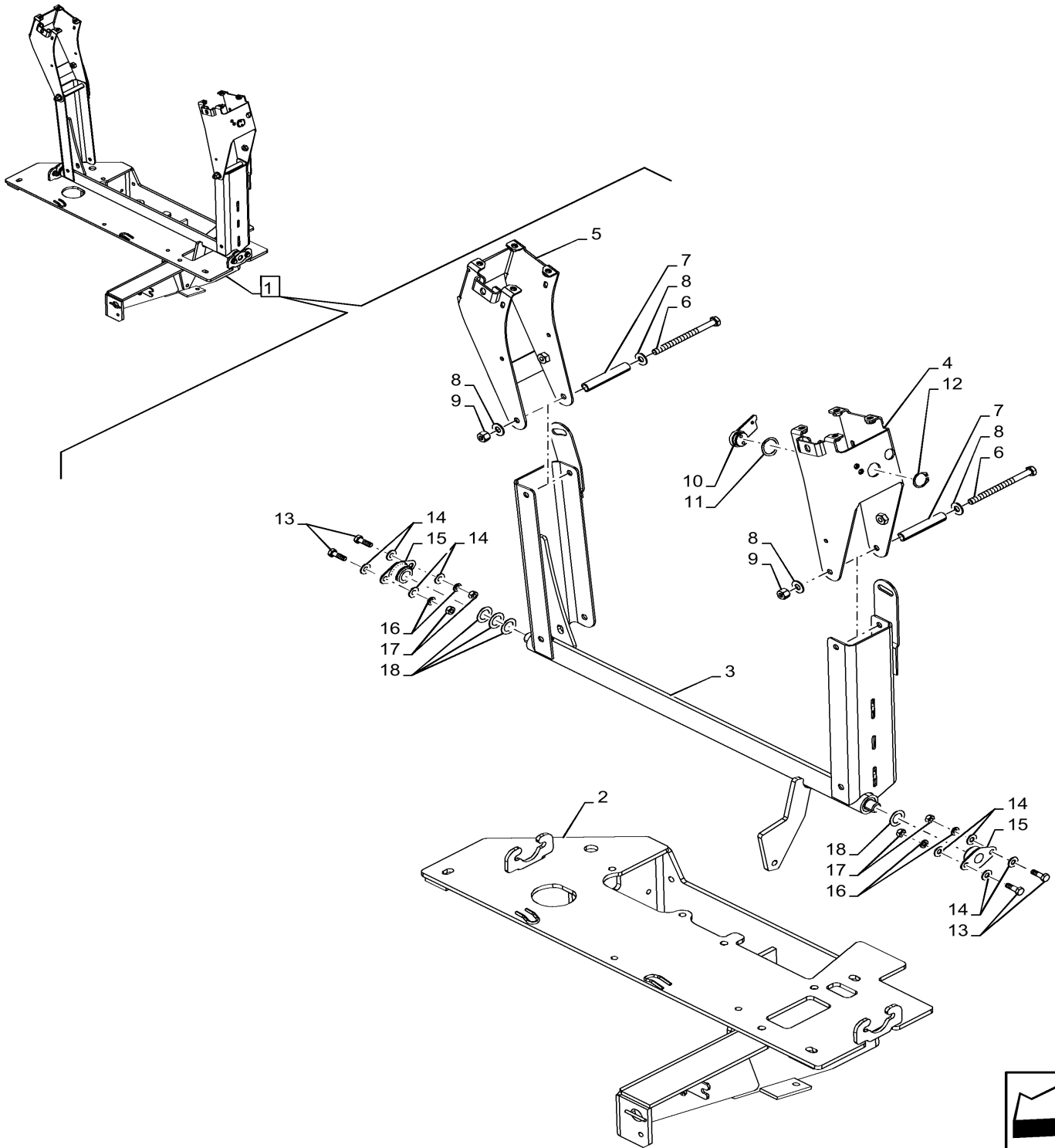


Figure is Valid with Commercial Var. 423078 or Var. 747669

35.357.130

p1

8/2020

AUXILIARY CONTROL VALVE, PILOT ACCUMULATOR

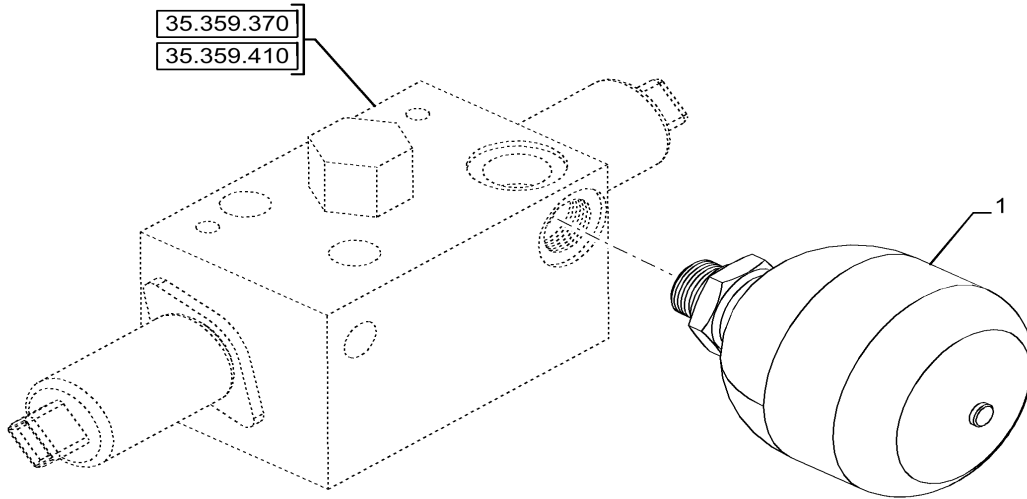


Figure is Valid with STD Equipment

6-SPOOL, PRESSURE CONTROL VALVE, STANDARD DIPPER, W/ PILOT CONTROLS, COMPONENTS

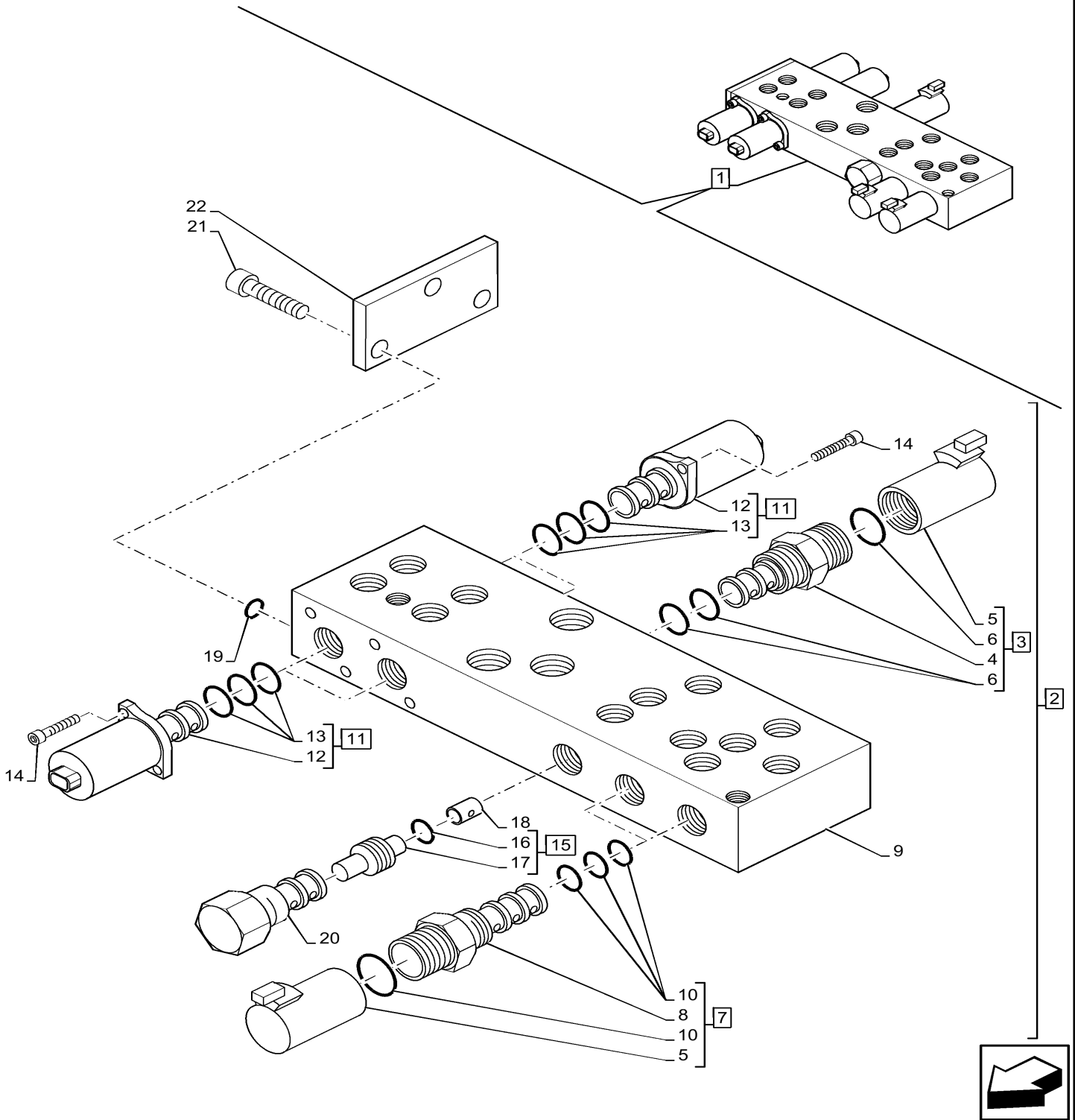


Figure is Valid with STD Equipment only when Var. 423075 (Standard Backhoe) or Var. 423078 (Pilot Controls W/ Heavy Lift) or Var. 747662 (Aux Hyds/Uni-Direct For Pilot) or Var. 747669 (Pilot Controls W/Auto-Up) or Var. X20036X (W/O Bhoe Aux Hyds) is Equipped

LOADER, CONTROL VALVE, MECHANICAL, 2-SPOOL, COMPONENTS

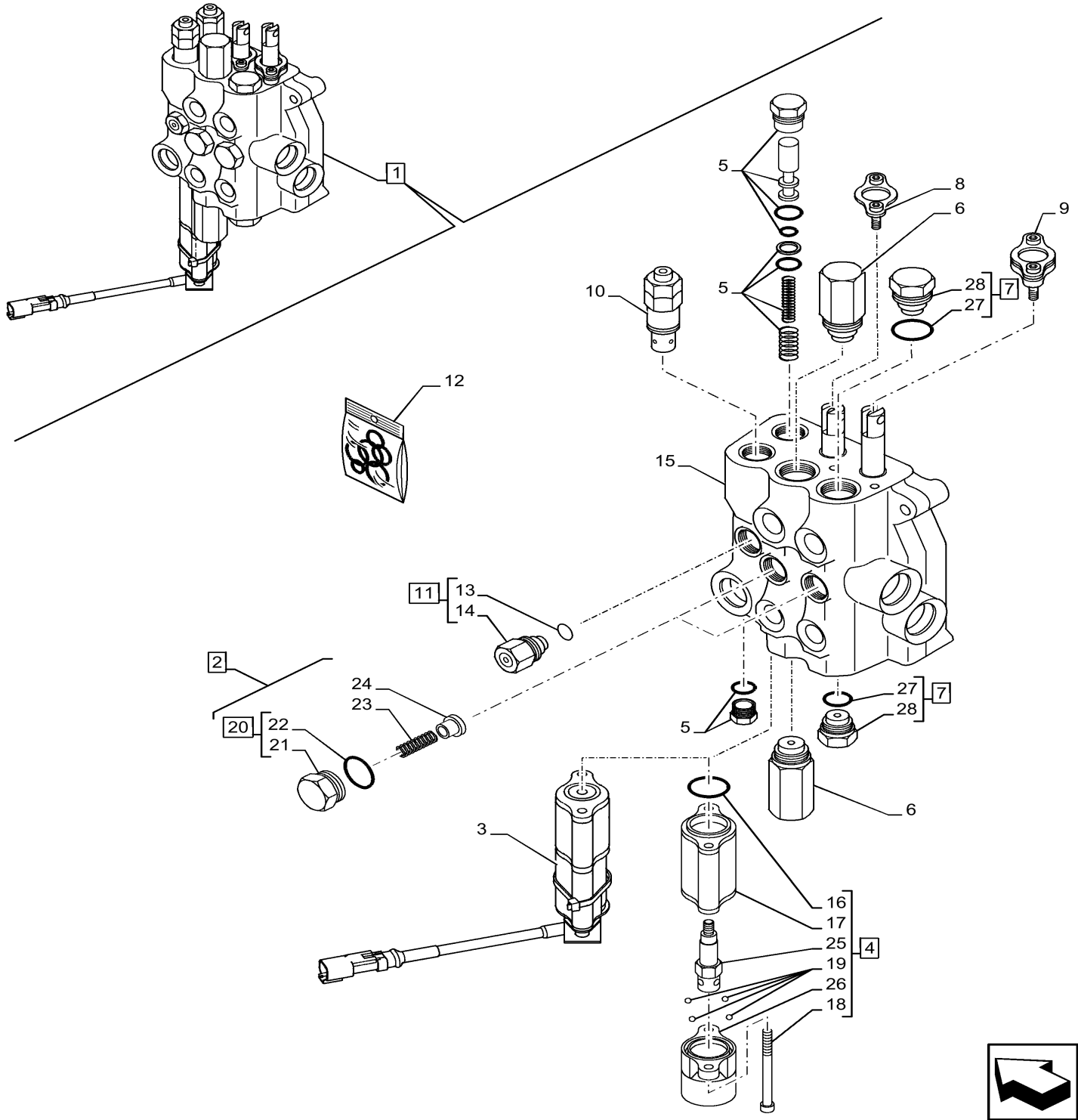
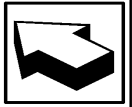


Figure is Valid with STD Equipment



35.359.175

p1

8/2020

VAR - 74776 - LOADER, CONTROL VALVE, MECHANICAL, 3-SPOOL, MOUNTING

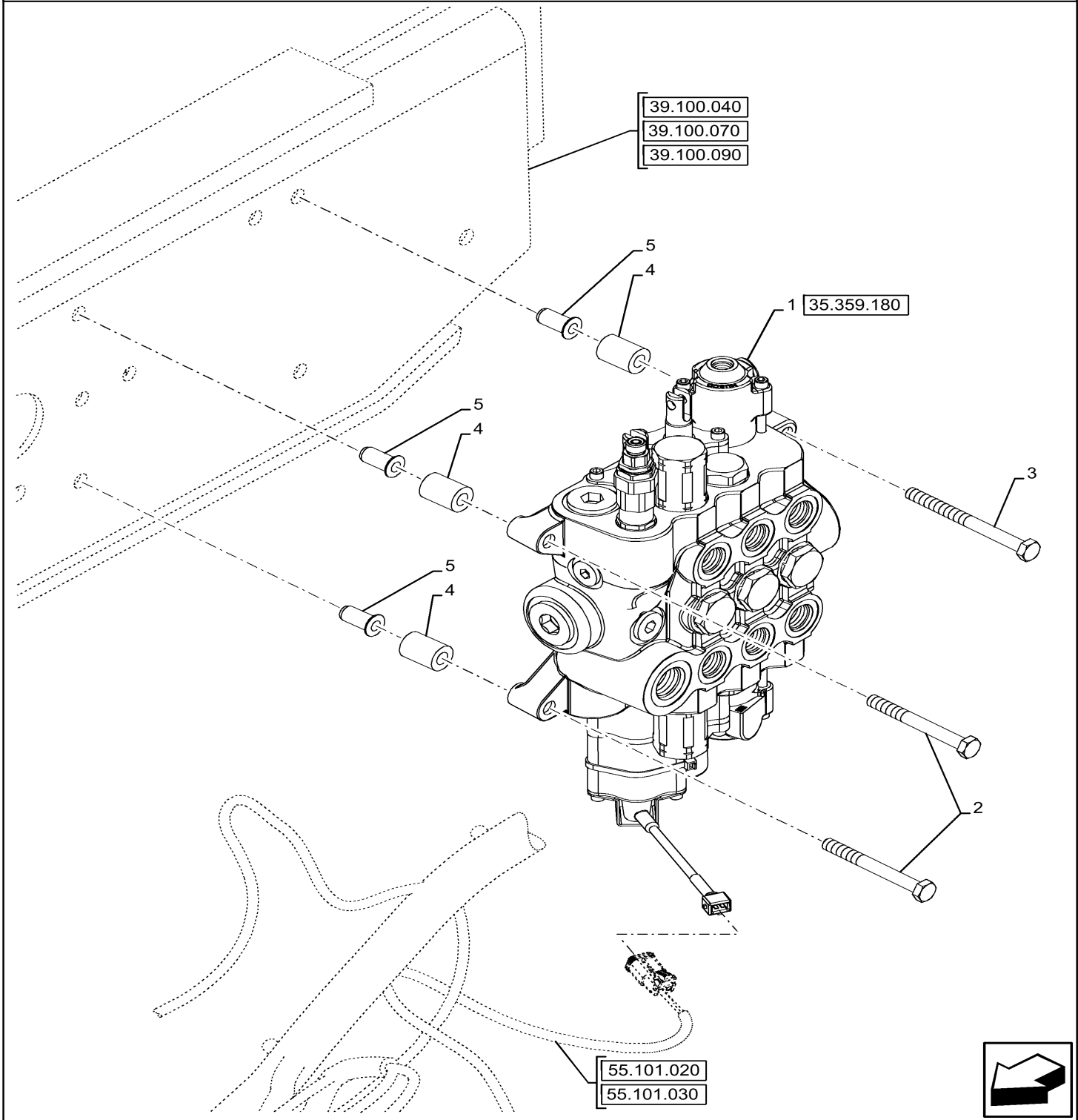


Figure is Valid with Commercial Var. 74776

35.359.210

p1

8/2020

VAR - 747864 - LOADER, CONTROL VALVE, PILOT CONTROLS, 3-SPOOL, MOUNTING

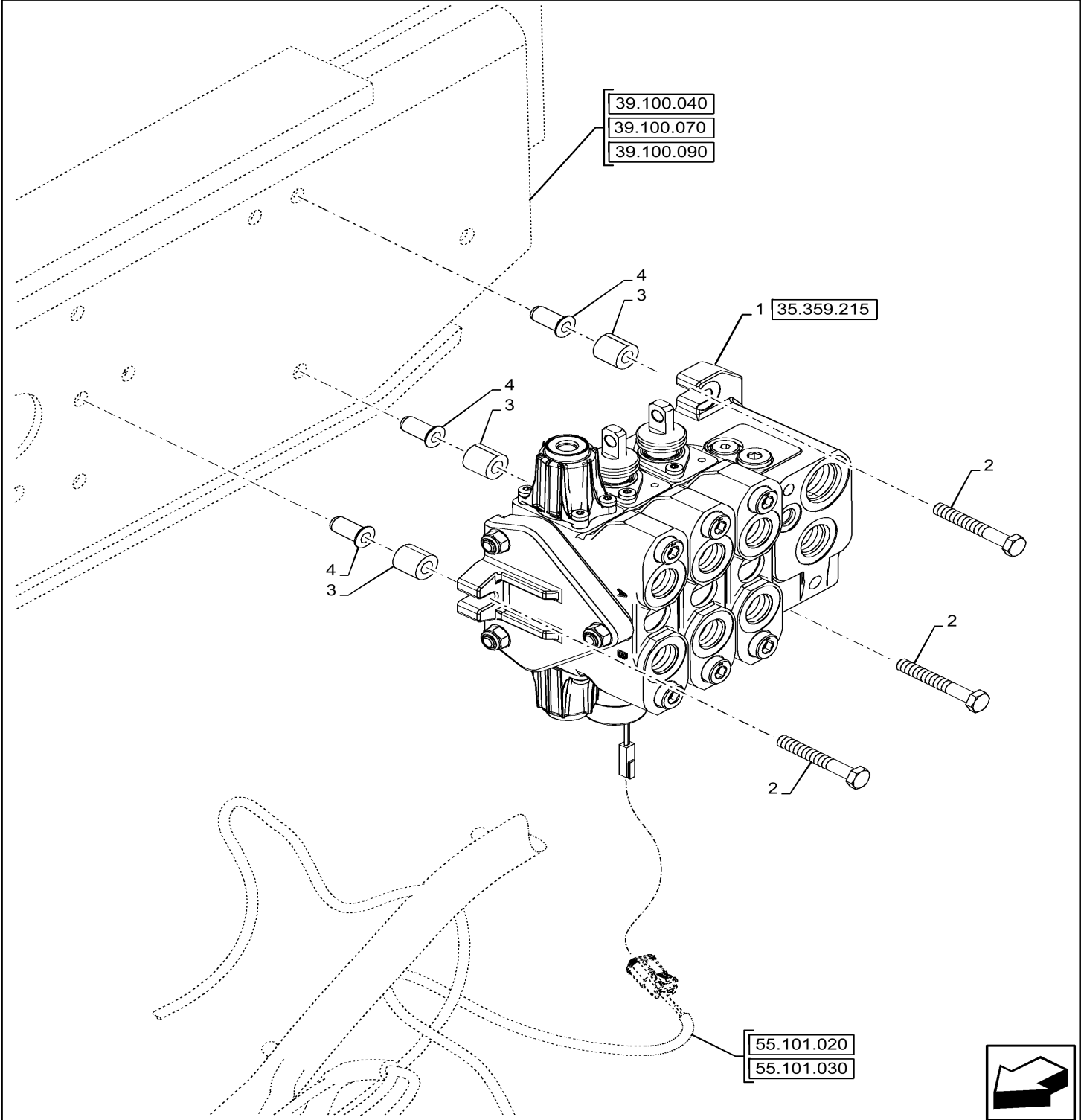


Figure is Valid with Commercial Var. 747864; D9375 After Date 23 February 2018

35.359.350

p1

8/2020

LOADER, BACKHOE CONTROL VALVE, LINE, BRACKET

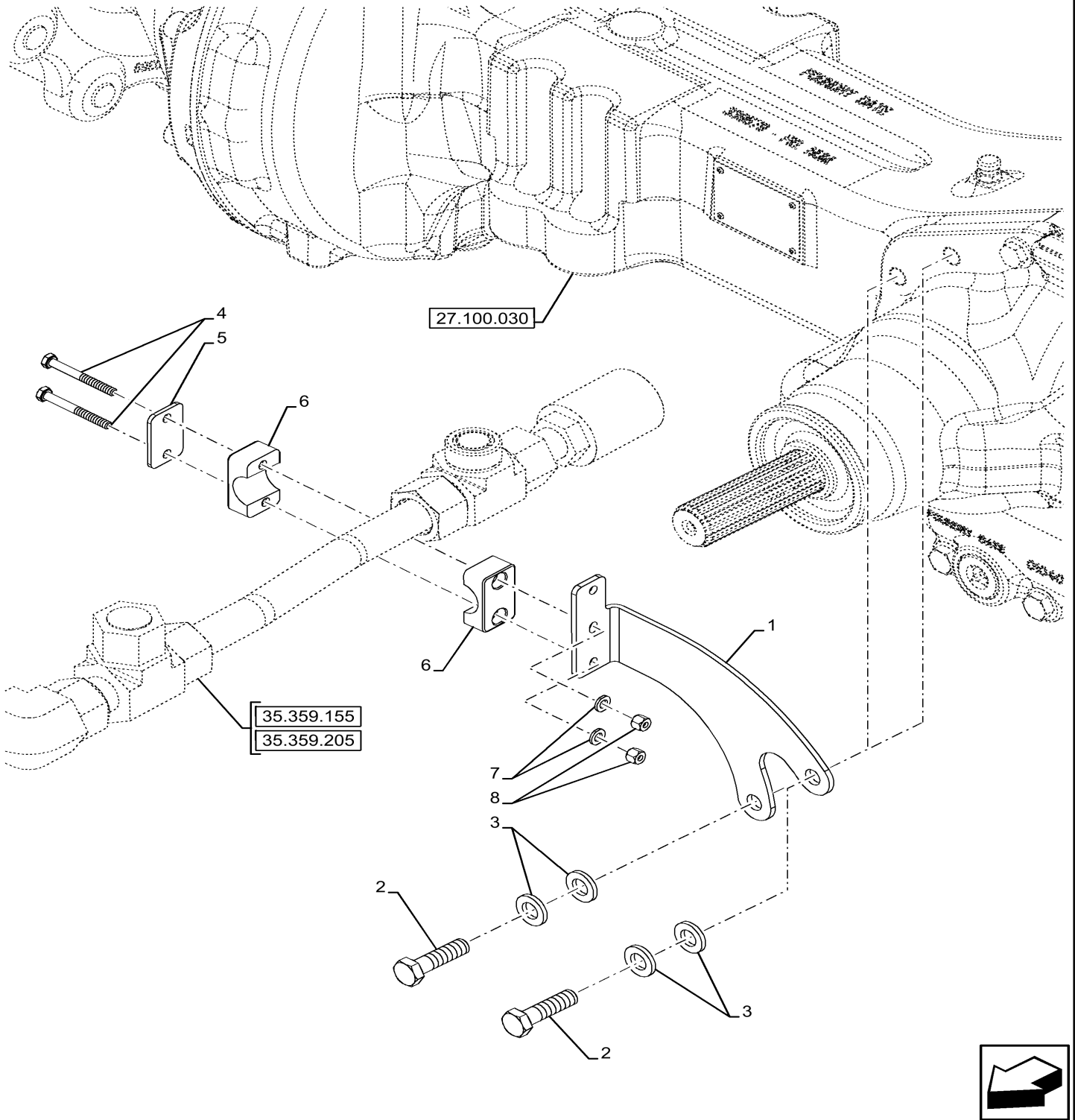


Figure is Valid with STD Equipment

35.359.405

p1

8/2020

VAR - 747864 - LOADER, AUXILIARY CONTROL VALVE, OIL FILTER, LINE

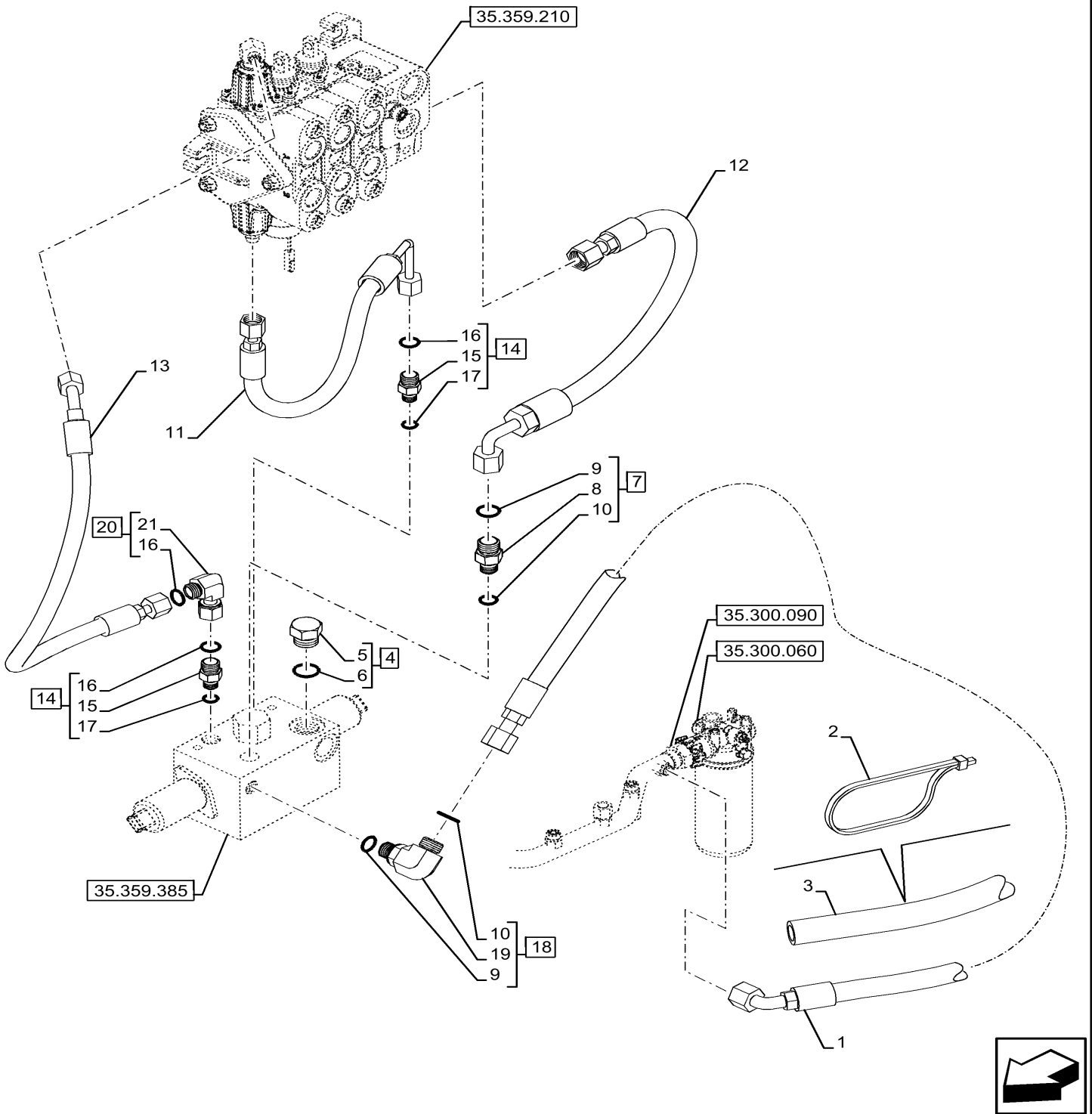


Figure is Valid with Commercial Var. 747864

35.359.510

p1

8/2020

7-SPOOL, BACKHOE CONTROL VALVE, STANDARD DIPPER, HAND SWING, W/ 2 LEVER CONTROLS, W/ DOUBLE AUXILIARY HYDRAULIC COMPONENTS

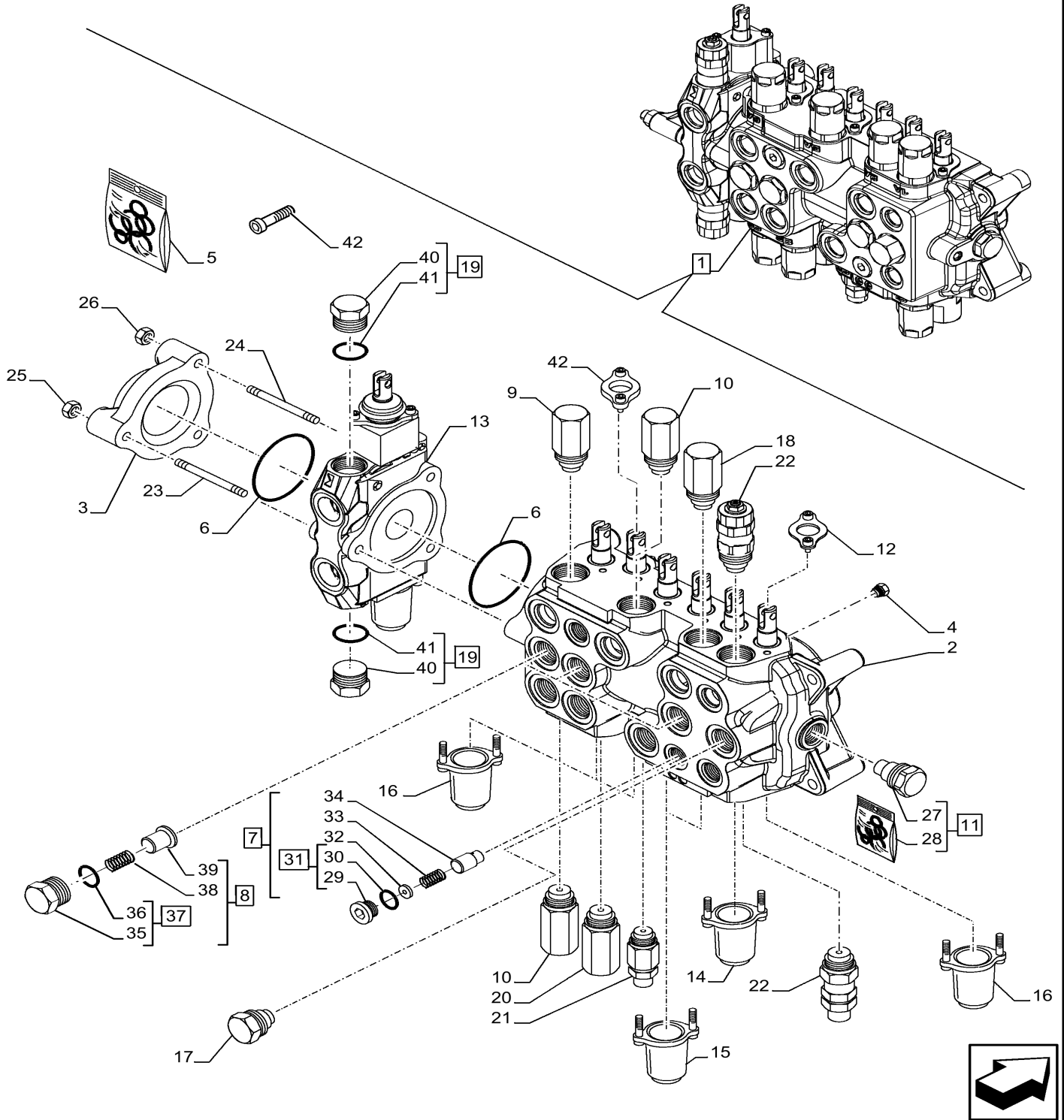


Figure is Valid with STD Equipment only when Var. 423075 (Standard Backhoe) or Var. 423083 (Combo Direct - Manual Controls) or Var. 742369 (2 Lever Controls) is Equipped

35.359.545

p1

8/2020

7-SPOOL, BACKHOE CONTROL VALVE, STANDARD DIPPER, FOOT SWING, W/O 2 LEVER CONTROLS, W/ DOUBLE AUXILIARY HYDRAULIC, MOUNTING PARTS

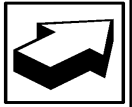
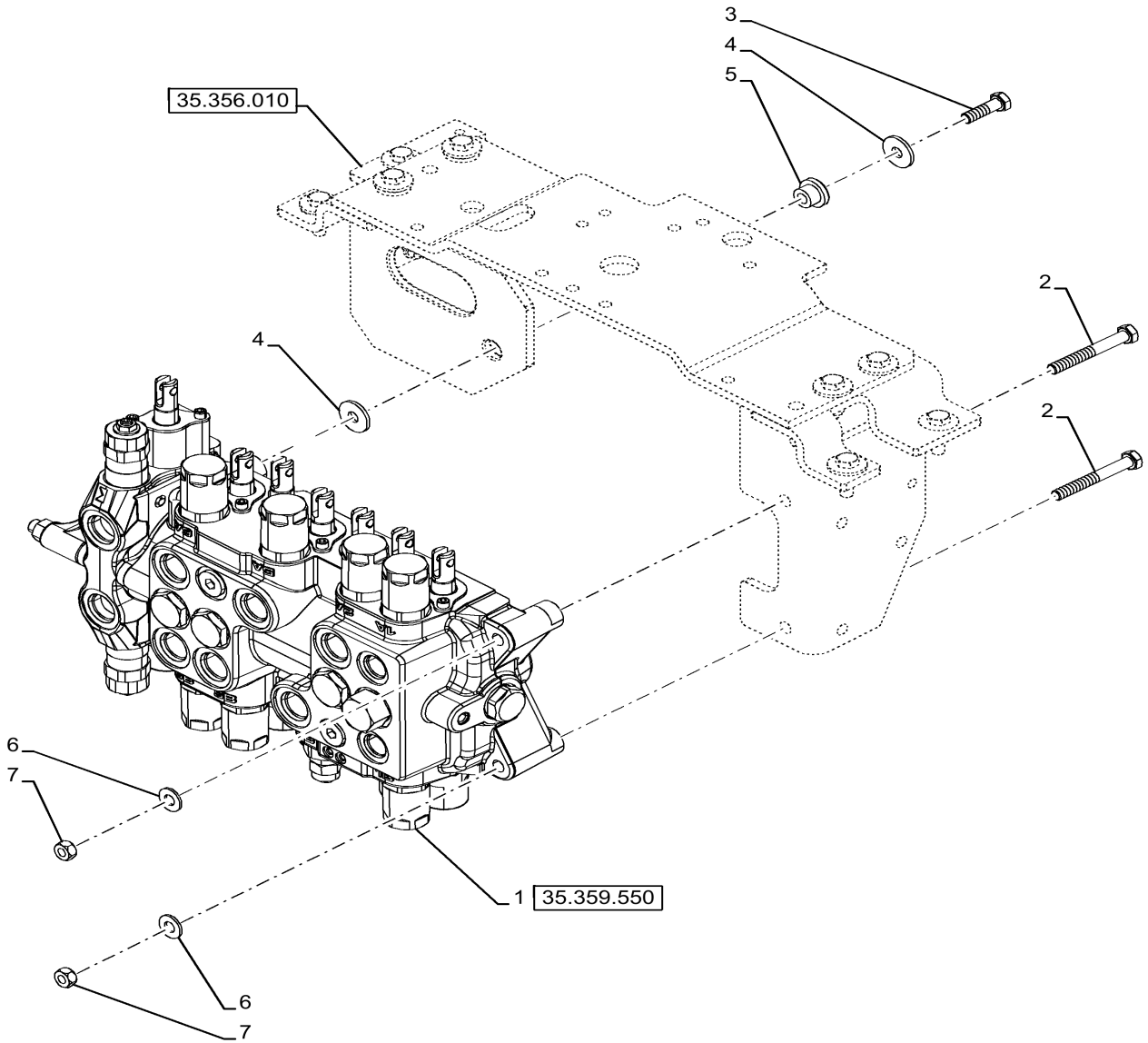


Figure is Valid with STD Equipment only when Var. 423075 (Standard Backhoe) or Var. 423083 (Combo Direct - Manual Controls) or Var. 423084 (Combo Direct - Pilot Controls) or Var. X20038X (Std Foot Swing Controls) is Equipped

35.359.620

p1

8/2020

7-SPOOL, BACKHOE CONTROL VALVE, STANDARD DIPPER, W/ PILOT CONTROLS, W/ DOUBLE AUXILIARY HYDRAULIC, MOUNTING PARTS

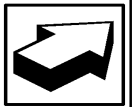
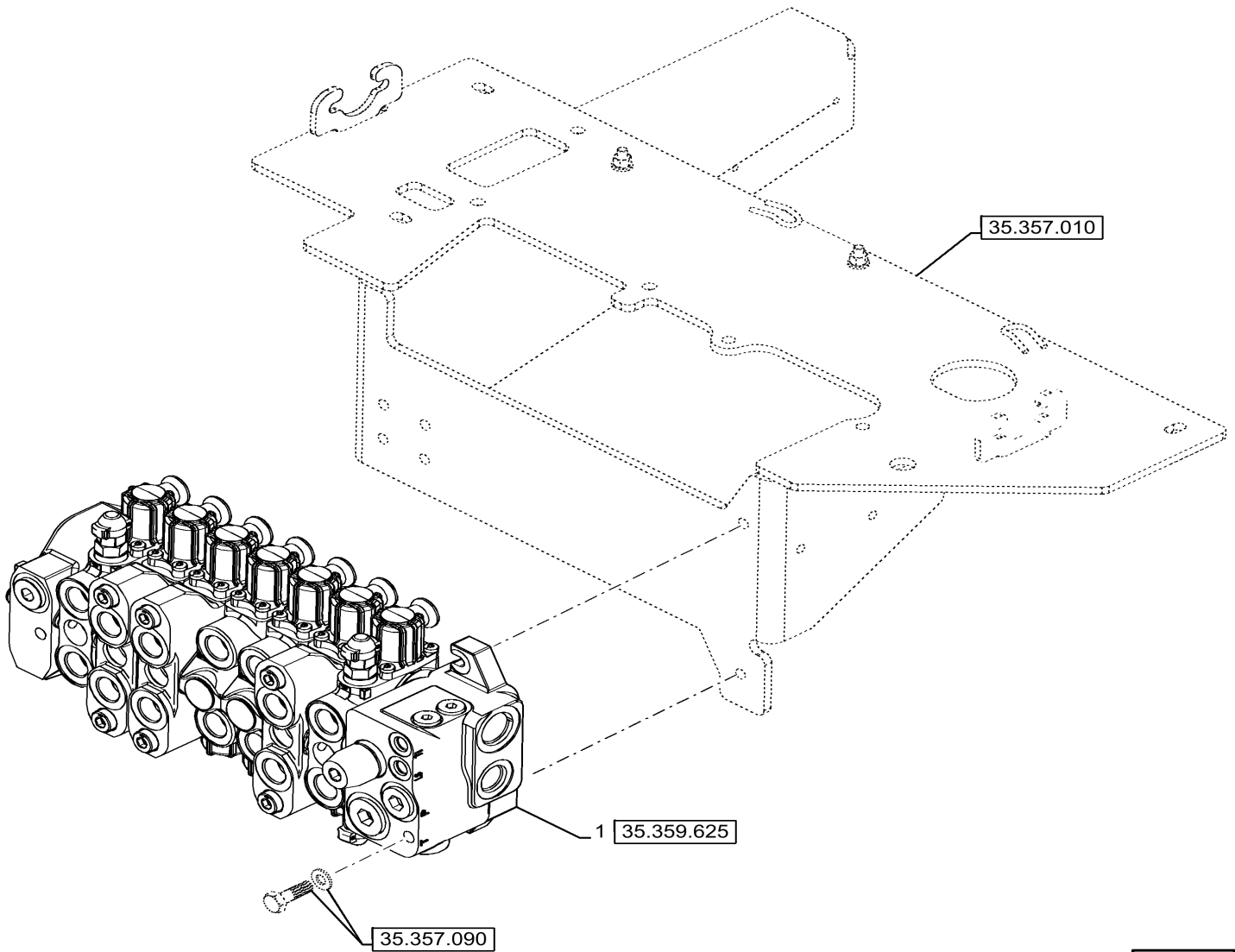


Figure is Valid with STD Equipment only when Var. 423075 (Standard Backhoe) or Var. 423078 (Pilot Controls W/ Heavy Lift) or Var. 423084 (Aux Hyds, Combo Direct - Pilot Controls) is Equipped

35.359.715

p1

8/2020

BACKHOE CONTROL VALVE, STANDARD DIPPER, W/ PILOT CONTROLS, BUCKET, COMPONENTS

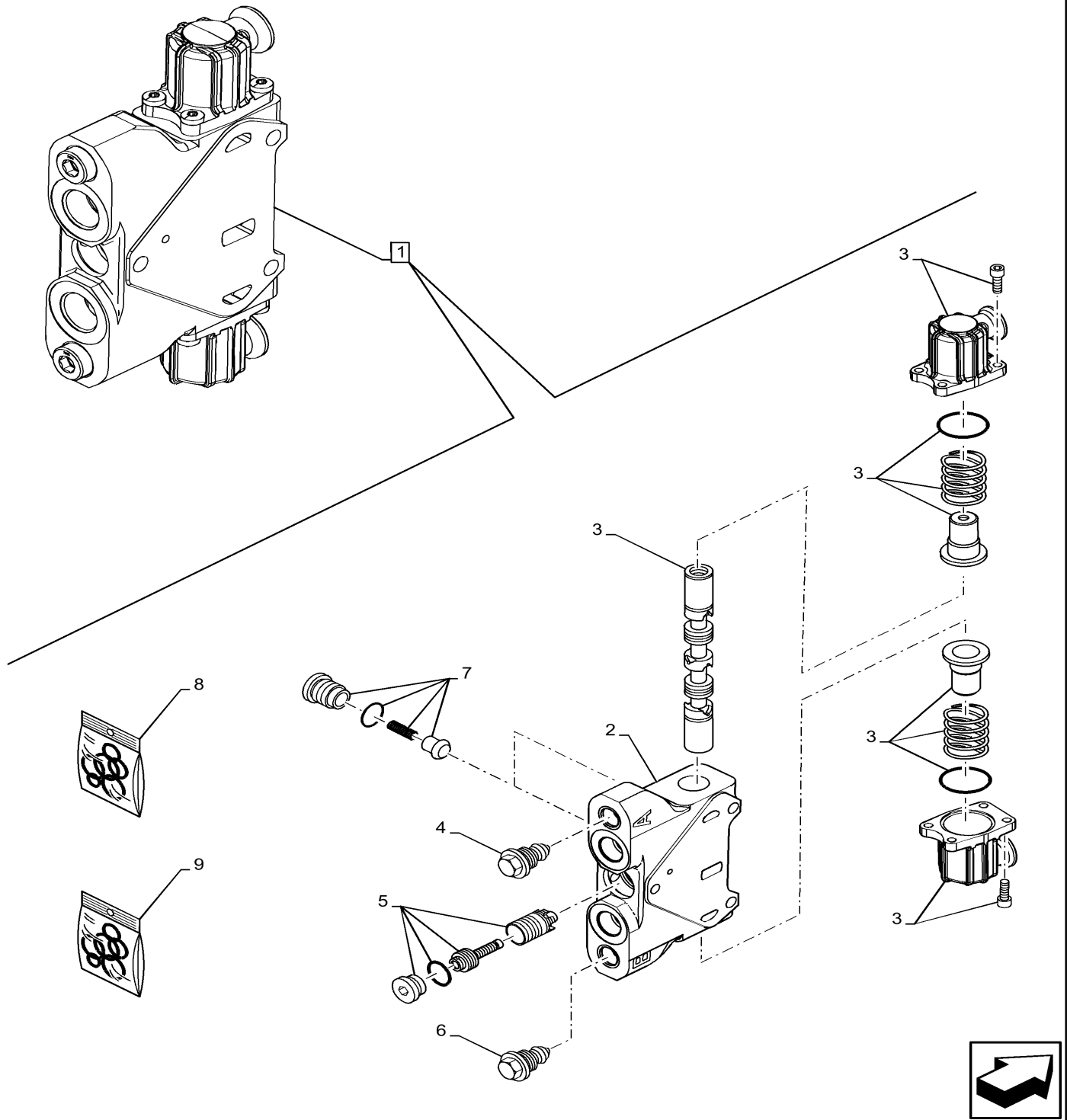


Figure is Valid with STD Equipment only when Var. 423075 (Standard Backhoe) or Var. 423076 (Extendahoe) or Var. 747662 (Aux Hyds/Uni-Direct For Pilot) OR Var. 423084 (Aux Hyds, Combo Direct - Pilot Controls) or Var. 747669 (Pilot Controls W/Auto-Up) or Var. X20036X (W/O Bhoe Aux Hyds) is Equipped

35.525.090

p1

8/2020

VAR - 423083, 423084 - REMOTE CONTROL VALVE

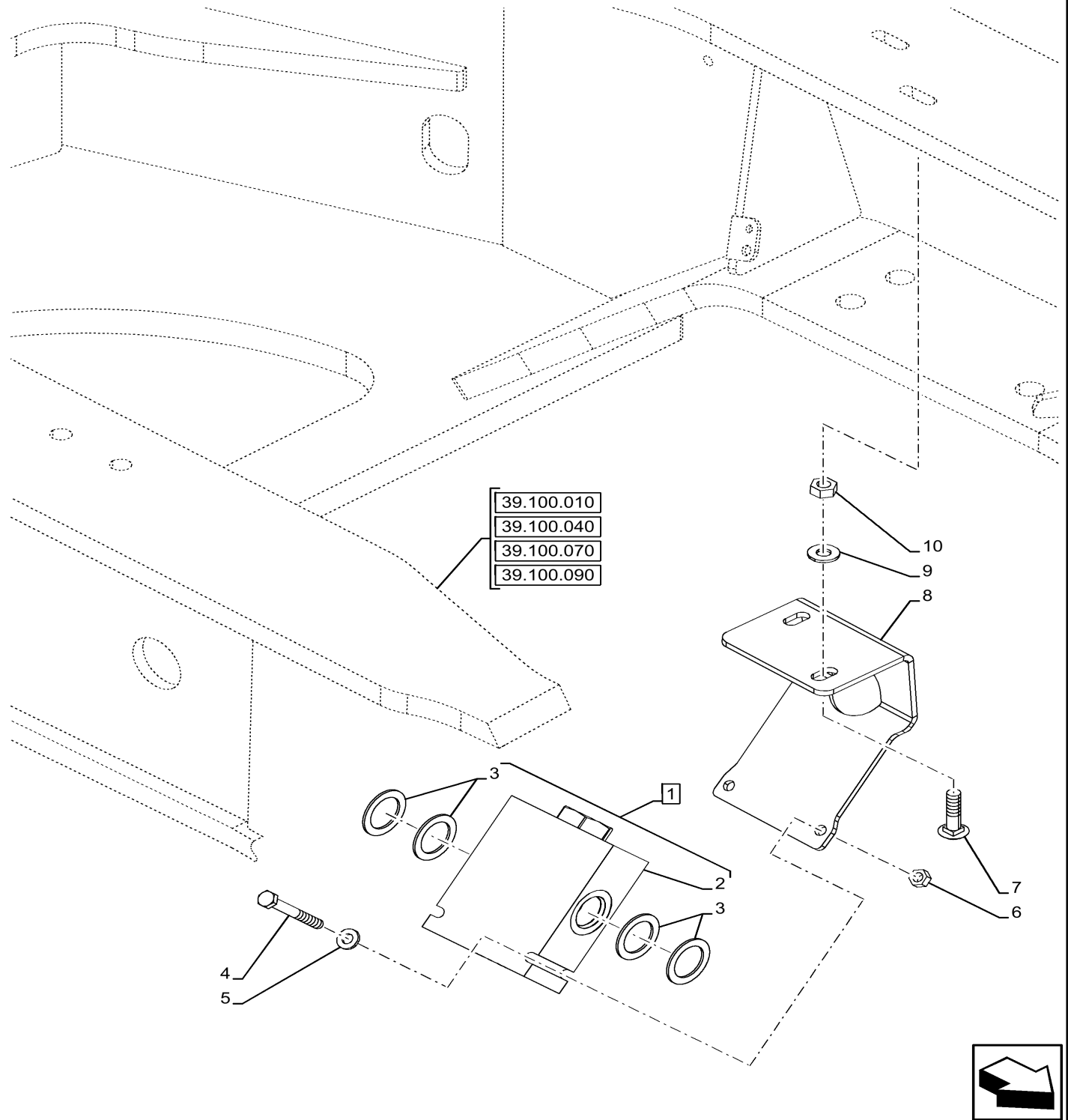


Figure is Valid with Commercial Var. 423083 or Var. 423084

35.525.200

p2

8/2020

VAR - 423049 - QUICK COUPLER, COMPONENTS, CYLINDER, LINES

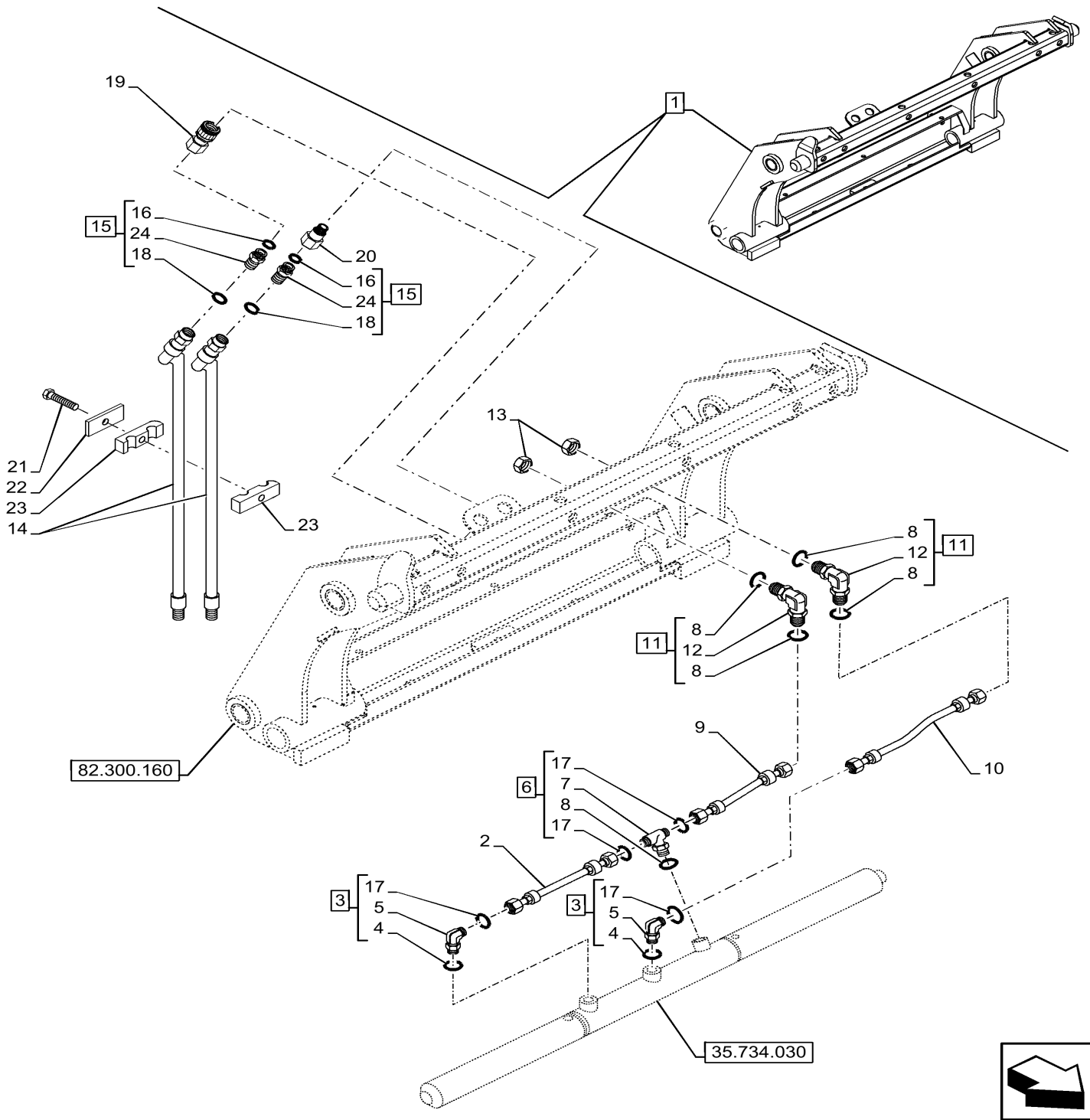


Figure is Valid with Commercial Var. 423049

35.701.040

p1

8/2020

LIFT CYLINDER

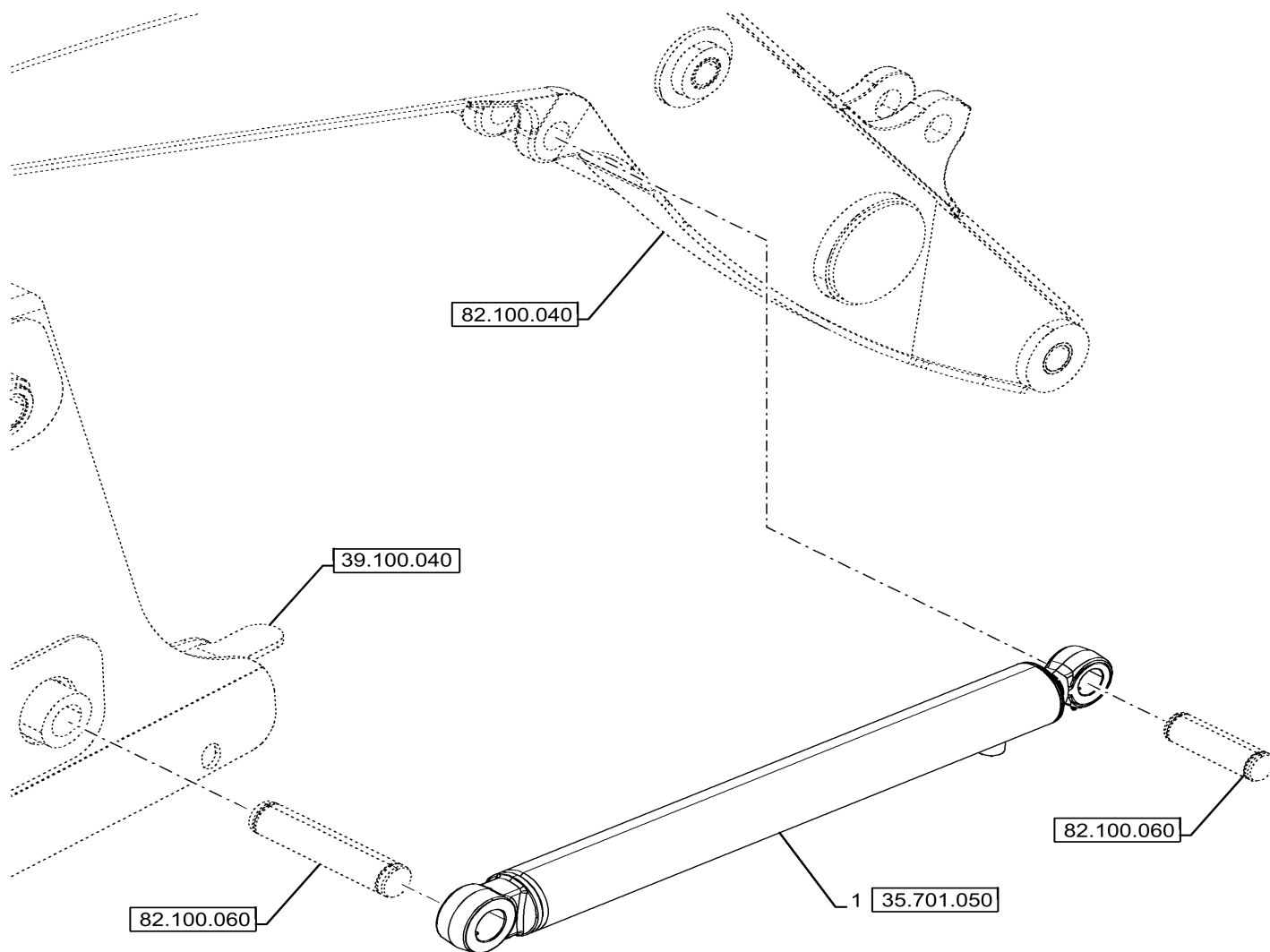


Figure is Valid with STD Equipment

LOADER ARM, CYLINDER, LINE, W/ PILOT CONTROLS, 2-SPOOL

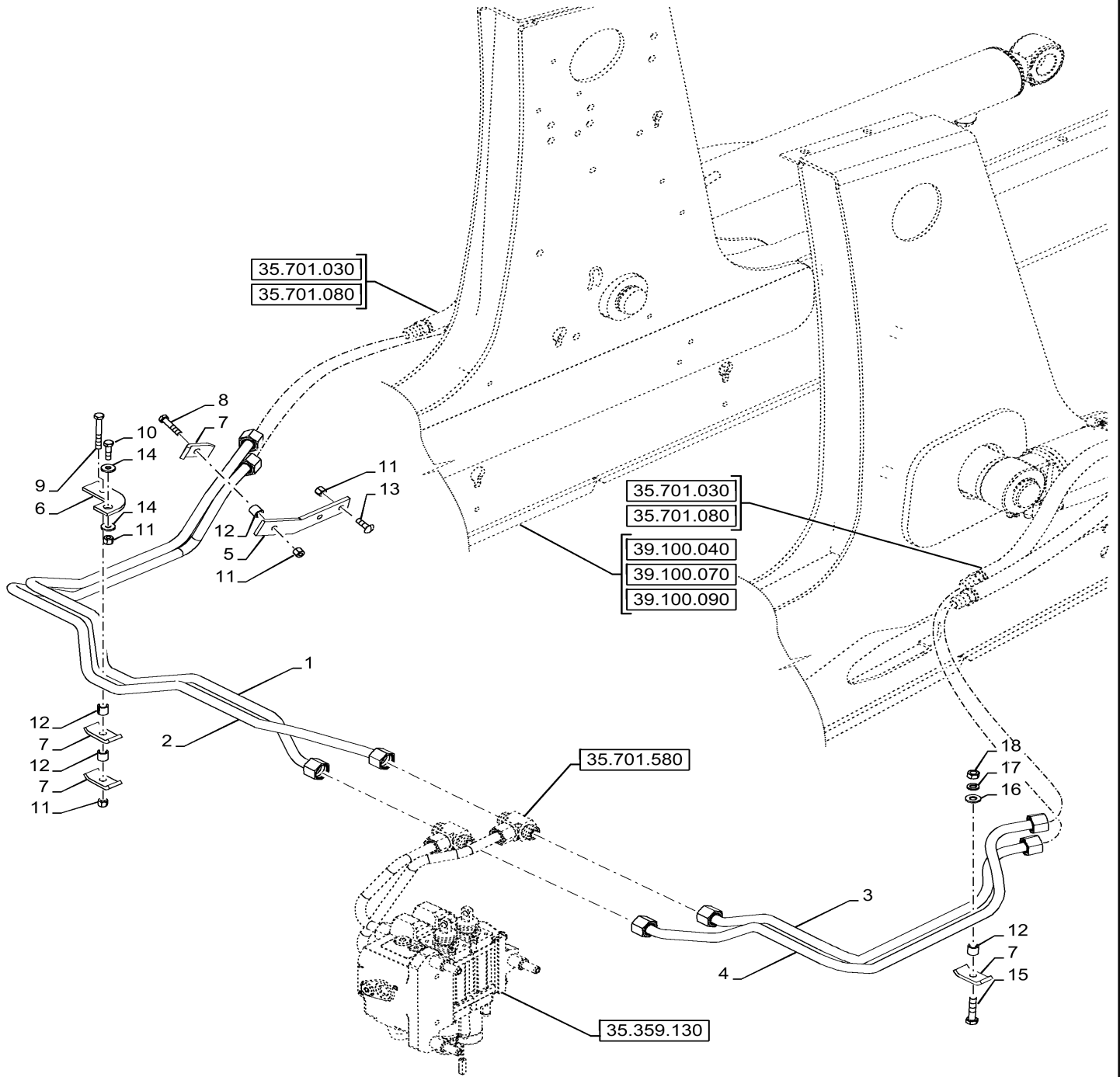


Figure is Valid with STD Equipment

35.701.510

p1

8/2020

VAR - 747864 - LOADER, CONTROL VALVE, 3-SPOOL, PILOT CONTROLS, LINES

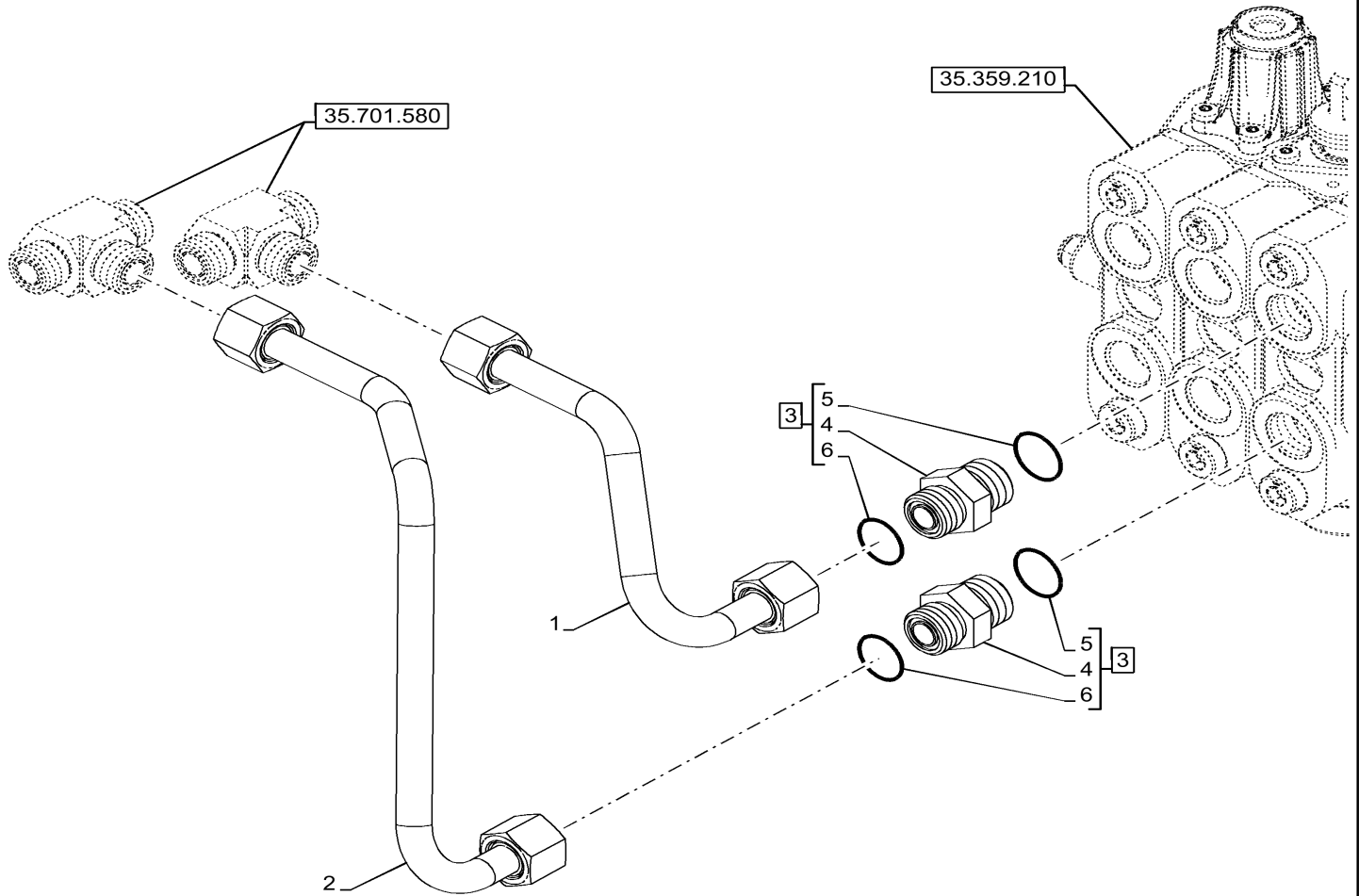


Figure is Valid with Commercial Var. 747864

35.723.150

p1

8/2020

VAR - 747776, 747864 - LOADER BUCKET, CYLINDER, LINE

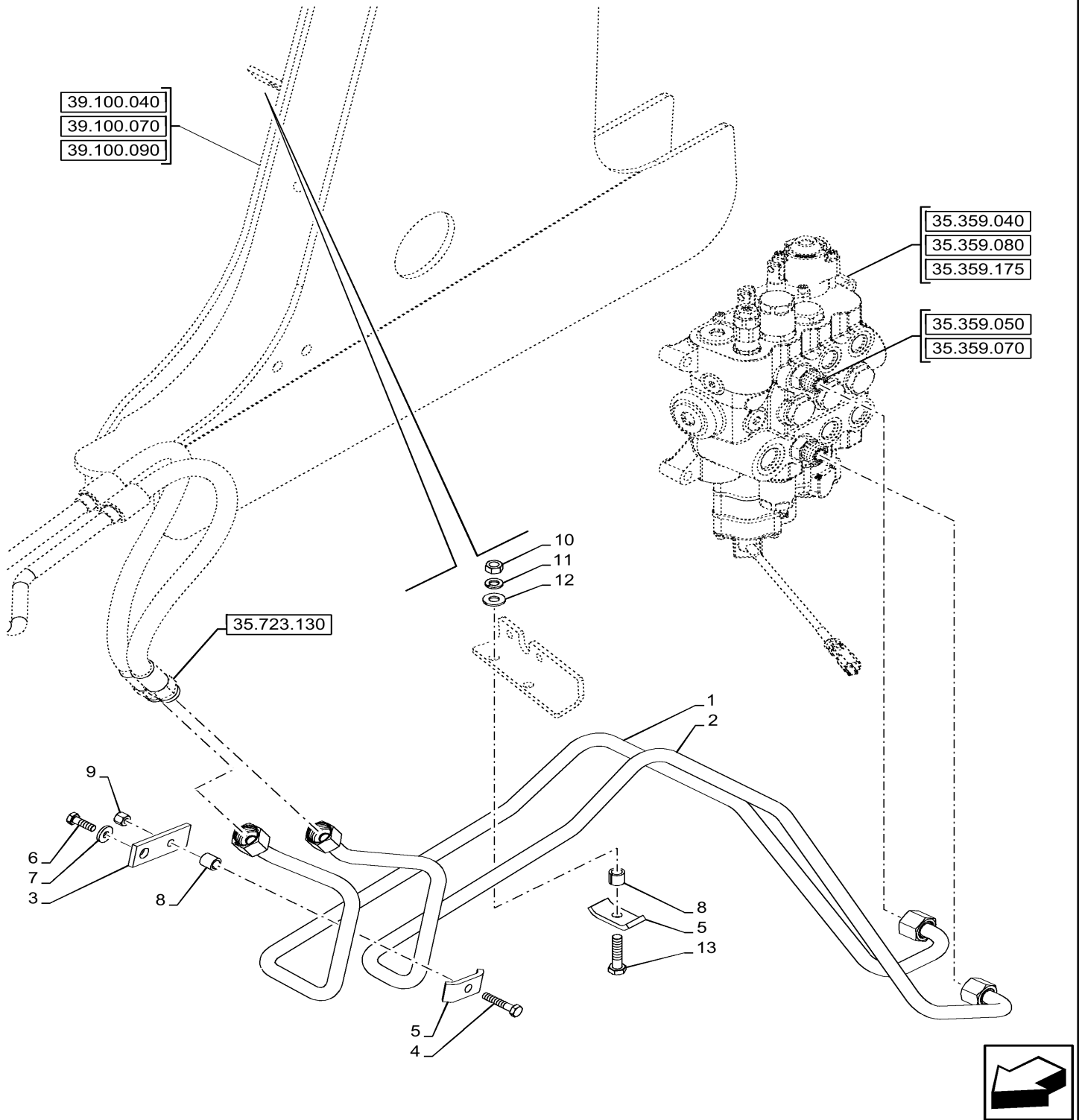


Figure is Valid with Commercial Var. 747776 or Var. 747864

35.723.300

p1

8/2020

VAR - 747863 - LOADER BUCKET, CYLINDER

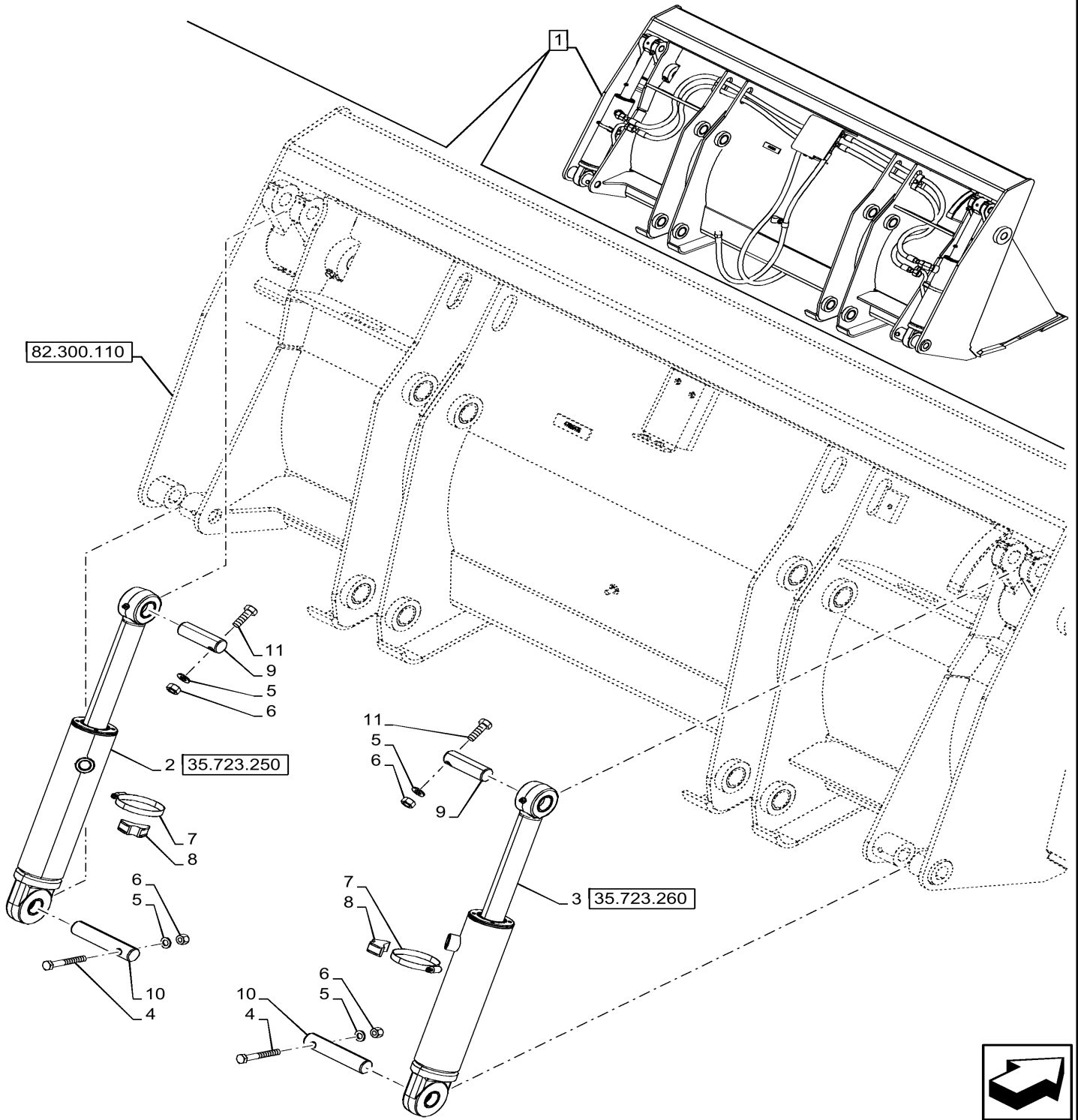


Figure is Valid with Commercial Var. 747863

35.726.030

p2

8/2020

EXTENDABLE DIPPER, AUXILIARY HYDRAULIC, W/ COLD WEATHER

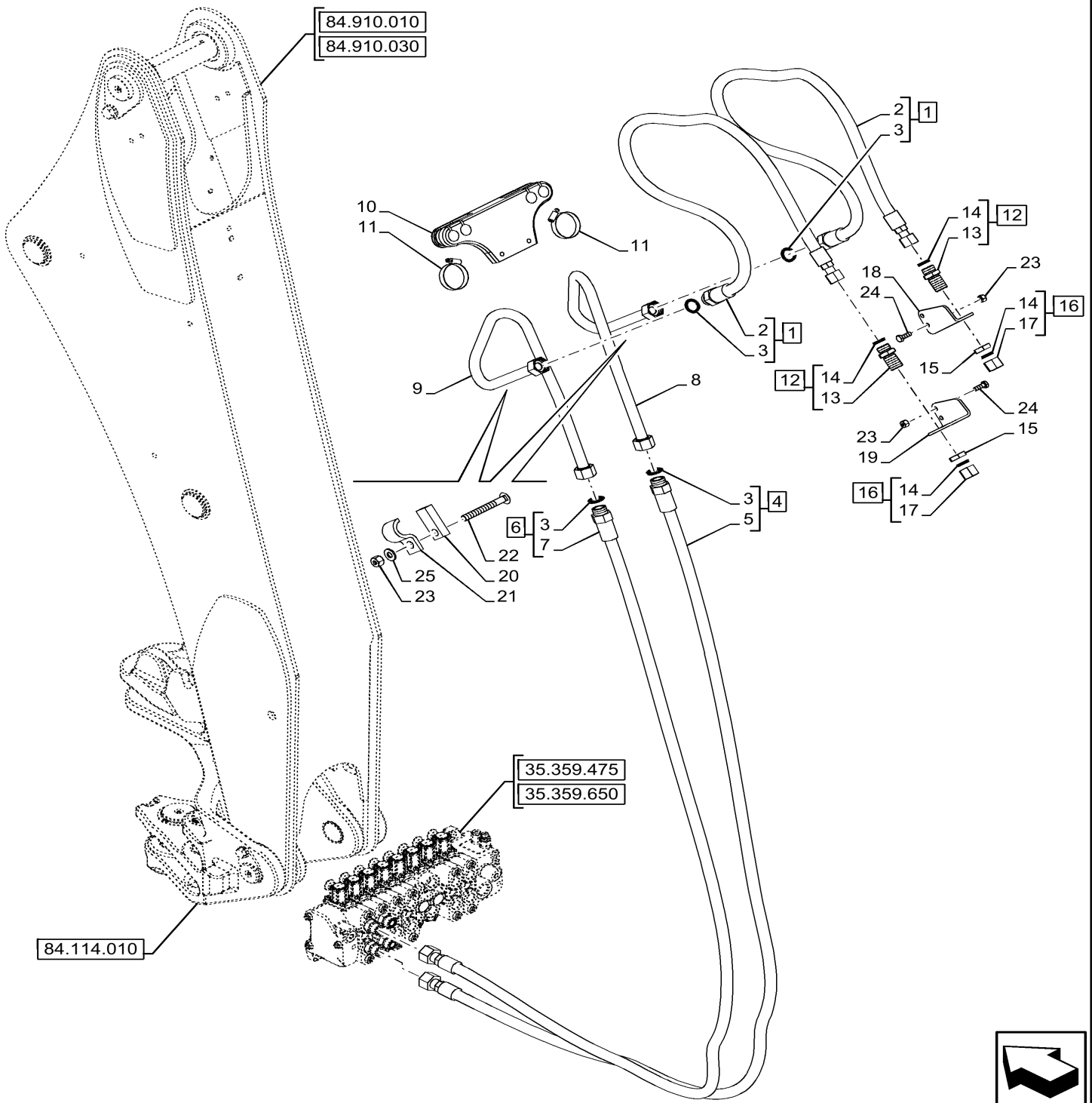


Figure is Valid with STD Equipment only when Var. 423076 (Extendahoe) or Var. 423083 (Combo Direct - Manual Controls) or Var. 423084 (Combo Direct - Pilot Controls) or Var. 745252 (Cold Climate) or Var. 747661 (Uni-Direct No Pilot) or Var. 747662 (Uni-Direct for Pilot) is Equipped

35.726.210

p1

8/2020

6-SPOOL, 7-SPOOL, JOYSTICK MOUNTING, RH, STANDARD DIPPER, W/ PILOT CONTROLS

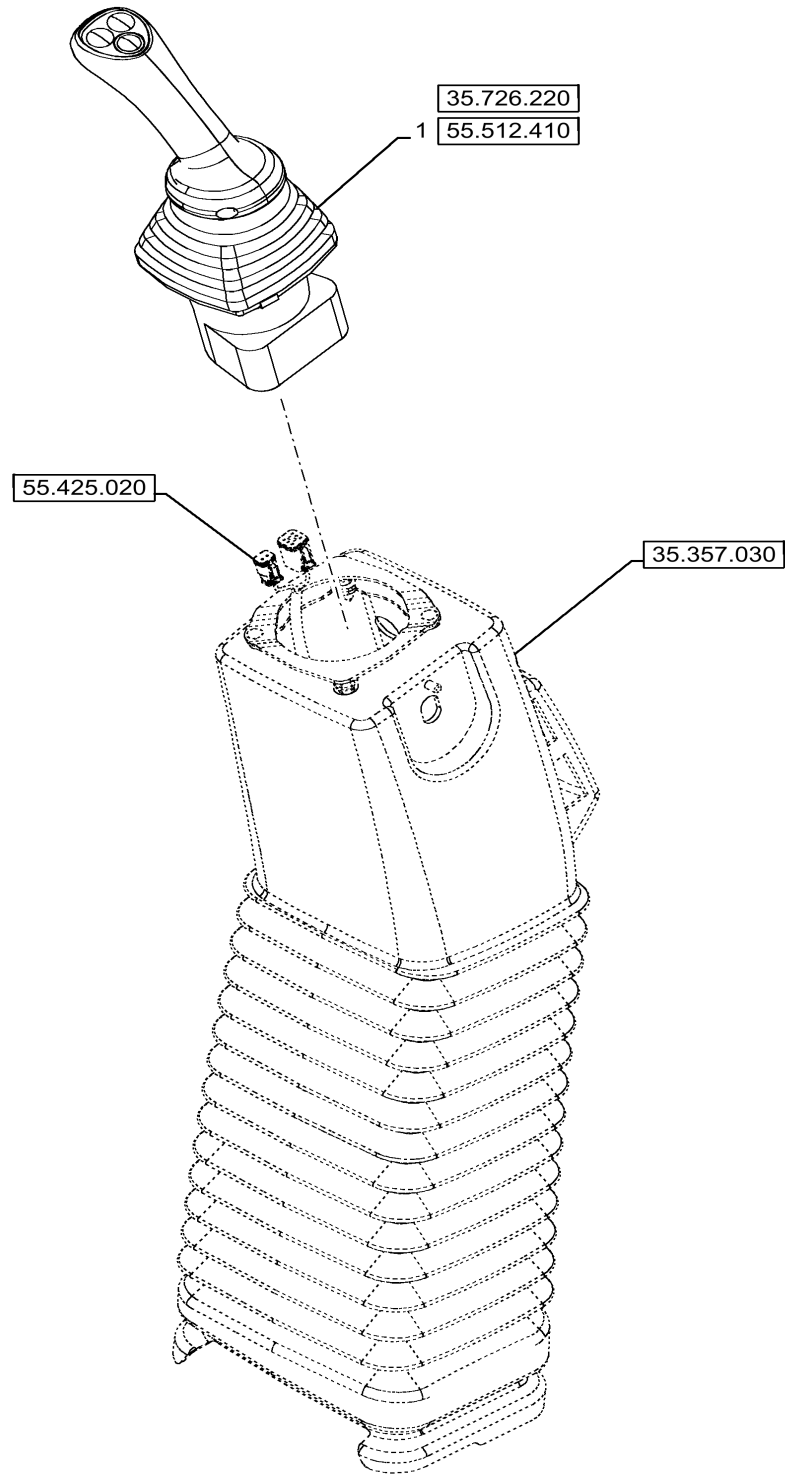


Figure is Valid with STD Equipment only when Var. 423075 (Standard Backhoe) or Var. 423078 (Pilot Controls W/ Heavy Lift) or Var. 423084 (Aux Hyds, Combo Direct - Pilot Controls) or Var. 747661 (Aux Hyds/Uni-Direct No Pilot) or Var. 747662 (Aux Hyds/Uni-Direct For Pilot) or Var. X20036X (No Backhoe Aux Hyds) is Equipped

35.732.040

p2

8/2020

VAR - 423080 - STABILIZER, MECHANICAL, CONTROLS, CHECK VALVE, LINES

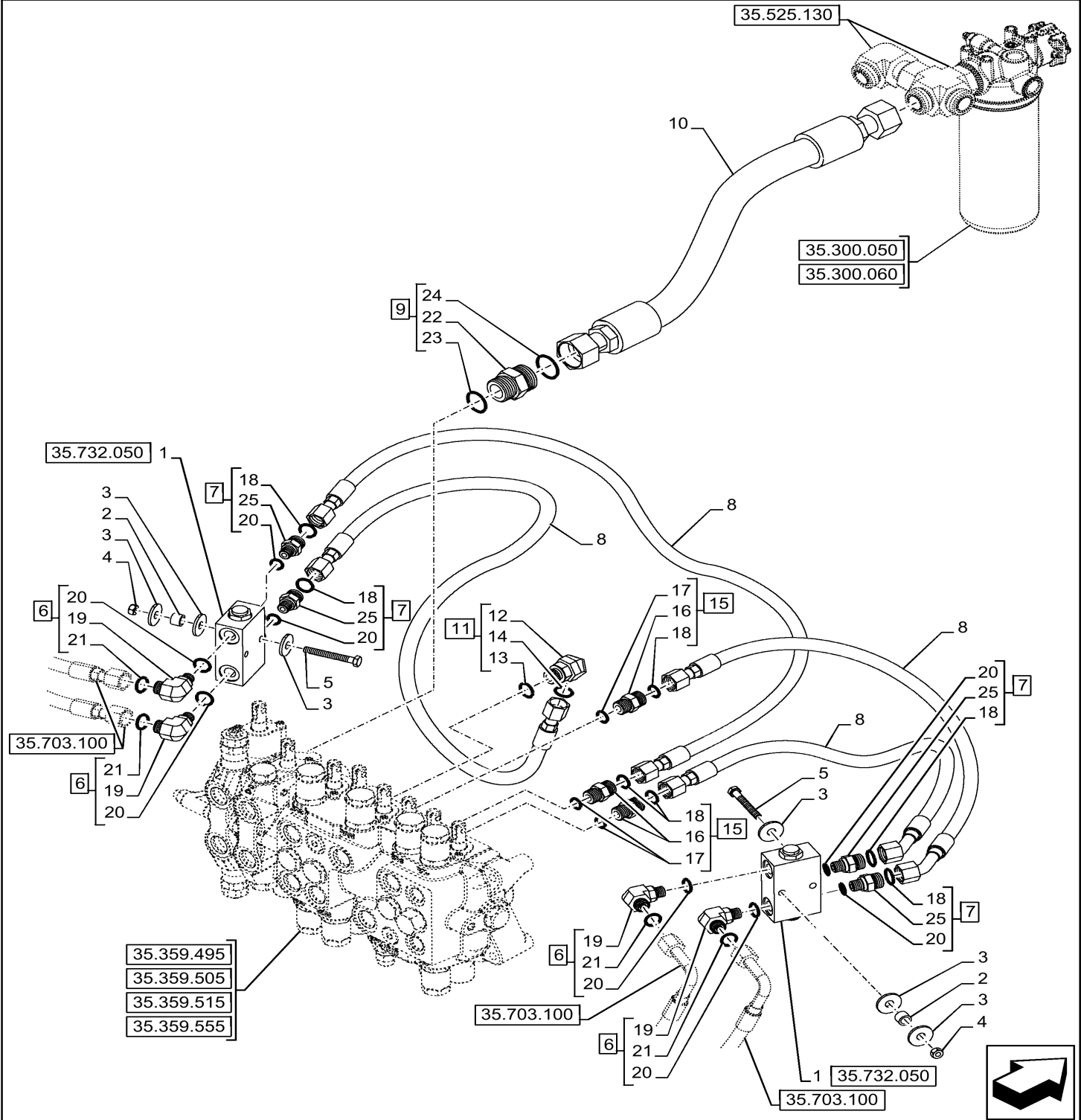


Figure is Valid with Commercial Var. 423080

35.734.170

p1

8/2020

DOUBLE, QUICK COUPLER, VALVE, HYDR LINES

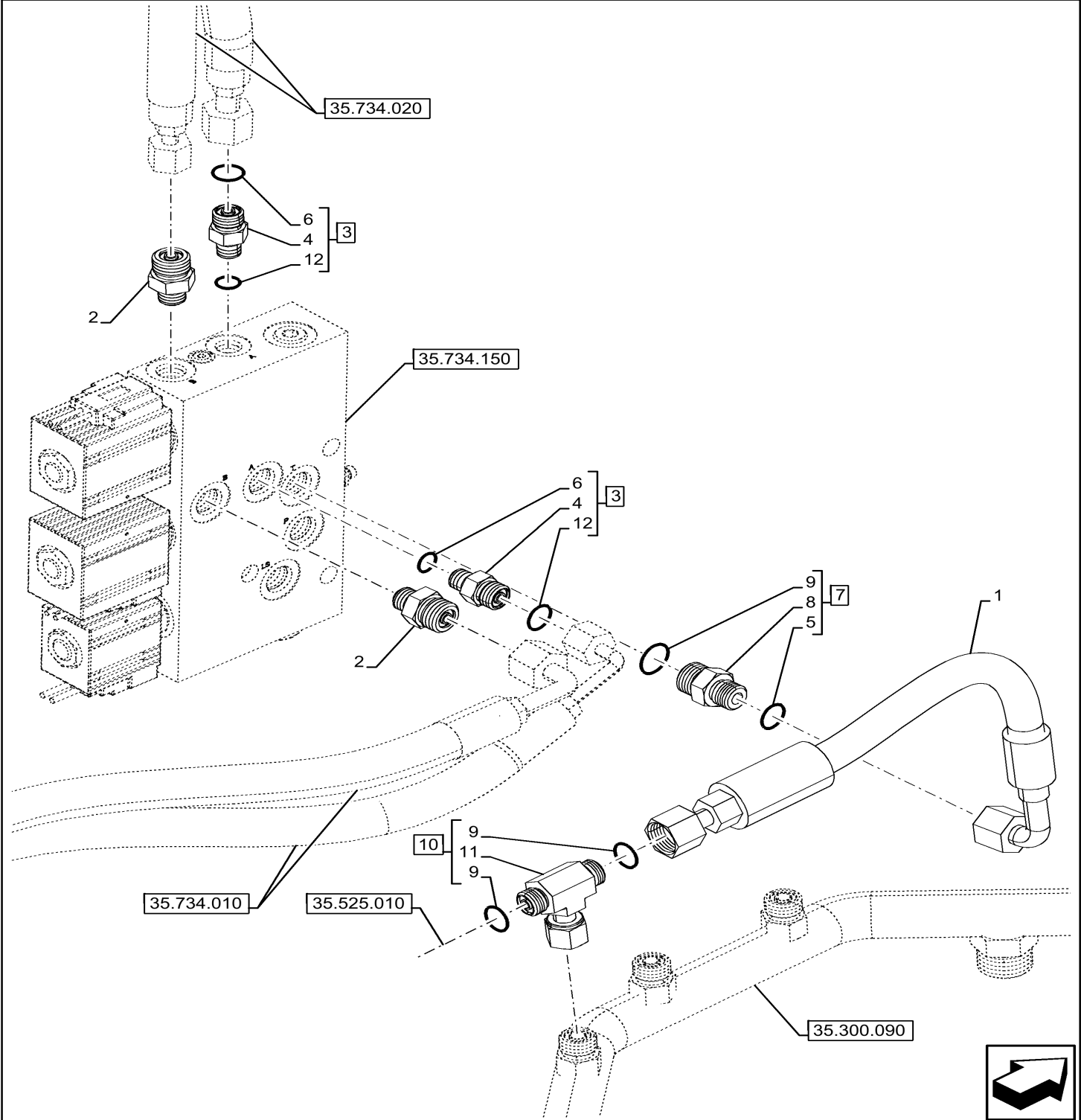


Figure is Valid with STD Equipment only when Var. 423048 (Links Only) or Var. 423049 (Tool Coupler - Hydraulic) or Var. 442018 (Backhoe Mechanical Quick Coupler) is Equipped

35.738.010

01

p2

8/2020

VAR - 423080 - HYDRAULIC LIFT, W/ MECHANICAL LIFT, VALVE, LINES - END YR 10-FEB-2018

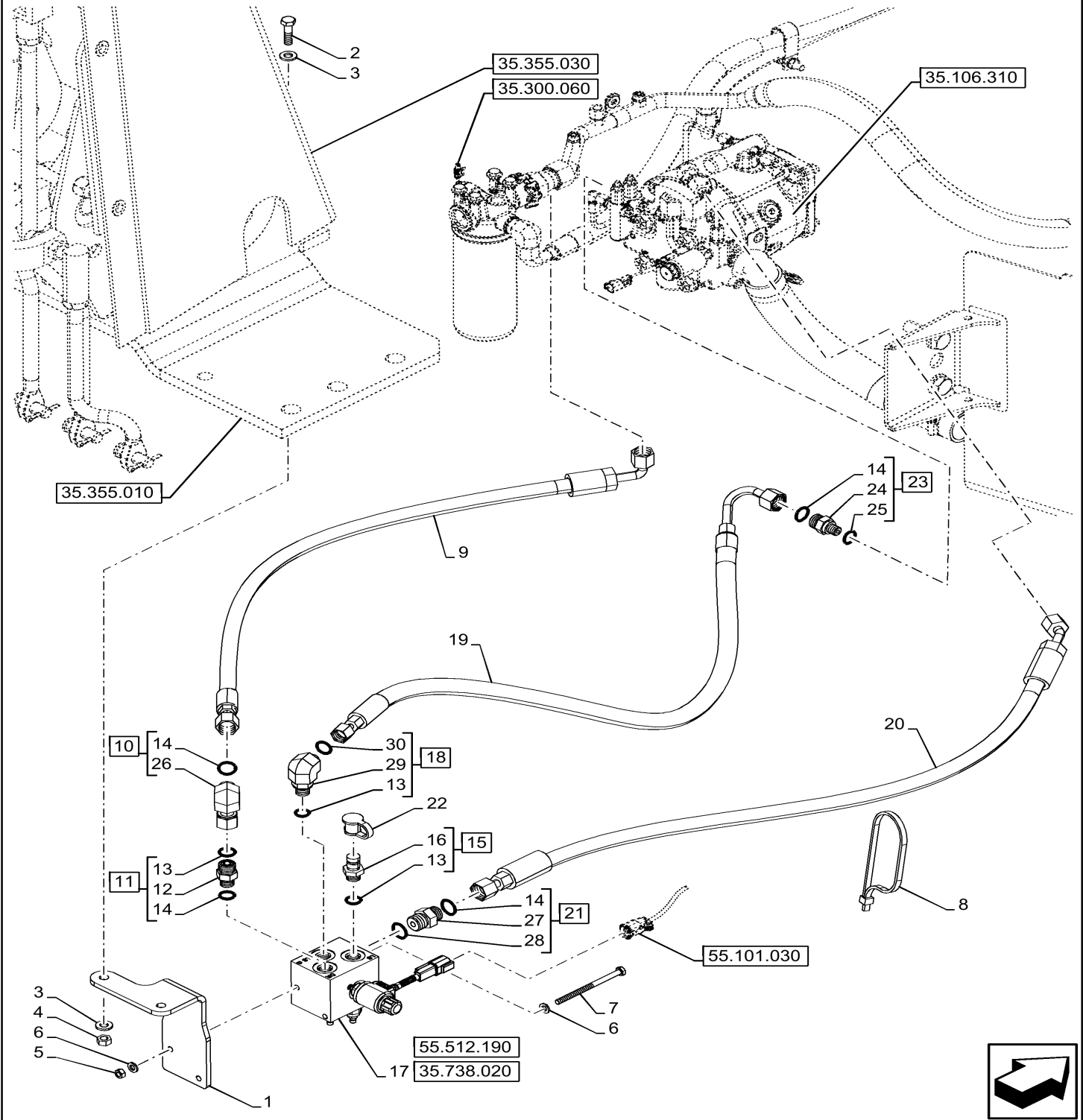
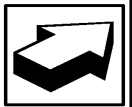


Figure is Valid with Commercial Var. 423080; C9371 Before Date 11 February 2018



CLICK HERE TO **DOWNLOAD** THE COMPLETE MANUAL

- Thank you very much for reading the preview of the manual.
- You can download the complete manual from: www.heydownloads.com by clicking the link below



- Please note: If there is no response to CLICKING the link, please download this PDF first and then click on it.

CLICK HERE TO **DOWNLOAD** THE COMPLETE MANUAL

35.738.310

p1

8/2020

VAR - 423076 - COLD CLIMATE, BACKHOE BUCKET, EXTENDABLE DIPPER, CYLINDER

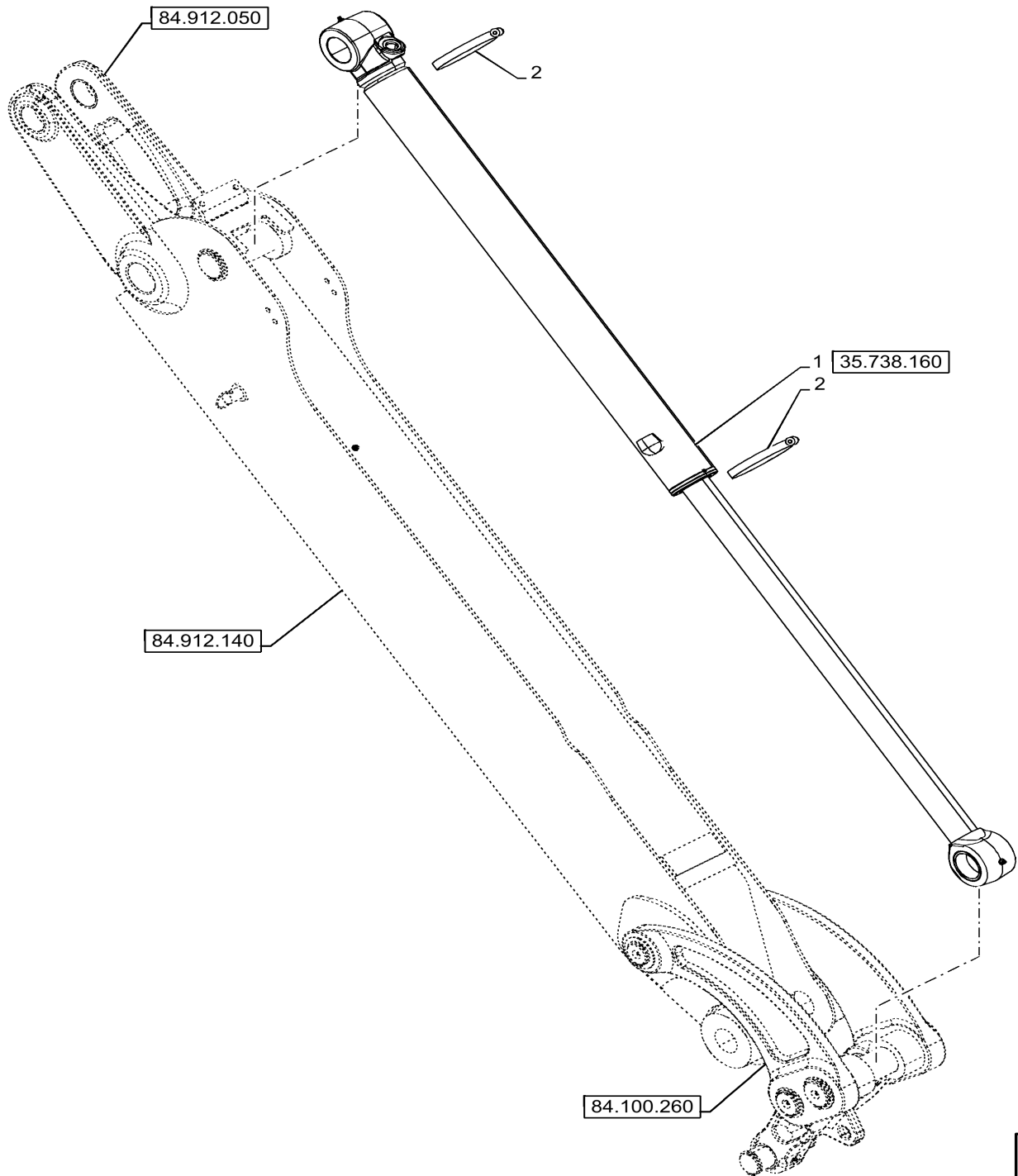


Figure is Valid with Commercial Var. 423076

BOOM SWING, MECHANICAL, CONTROLS, DAMPING VALVE, LINE

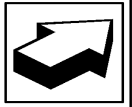
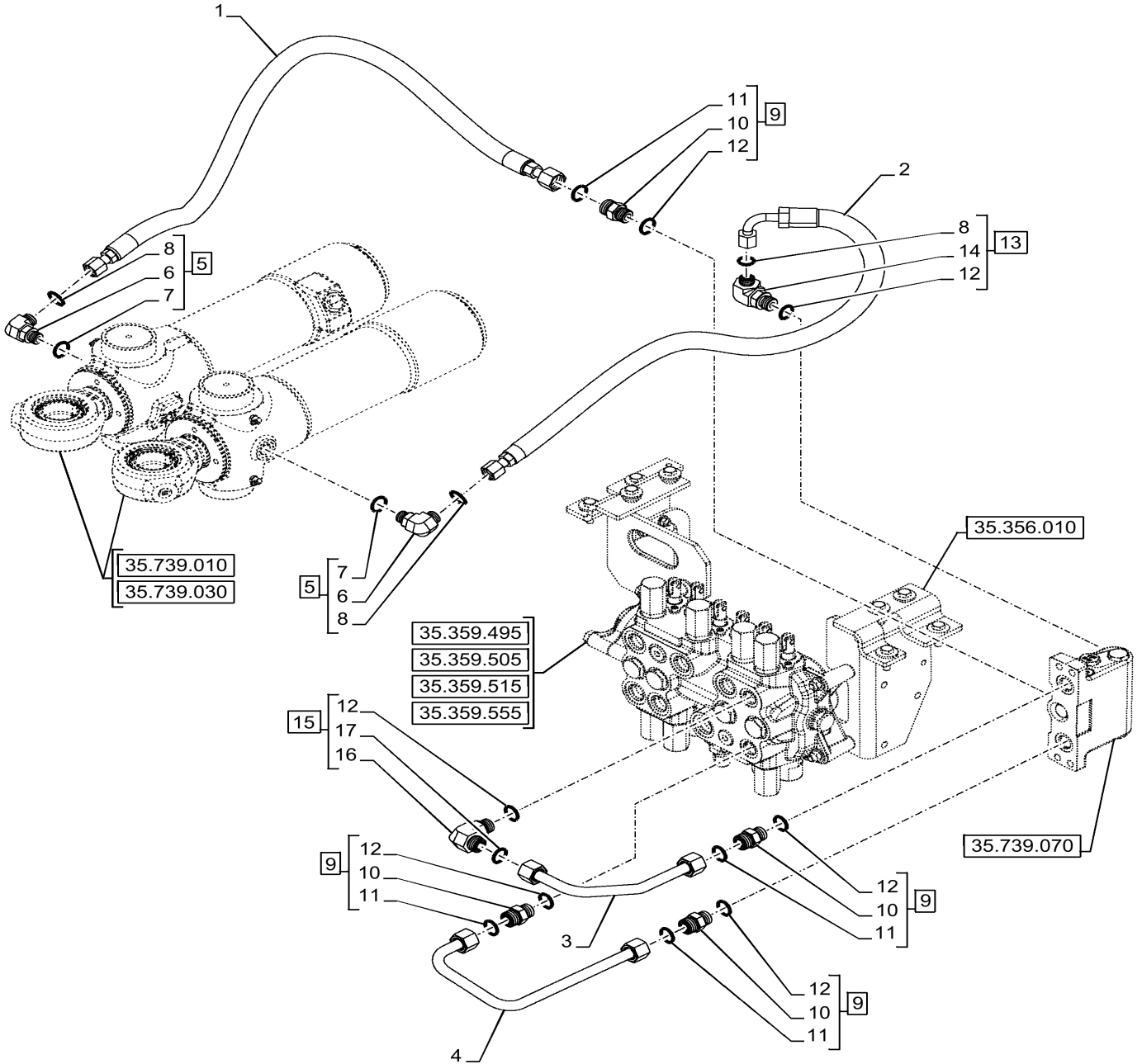


Figure is Valid with STD Equipment

35.740.040

p1

8/2020

VAR - 423076 - EXTENDABLE DIPPER, CYLINDER

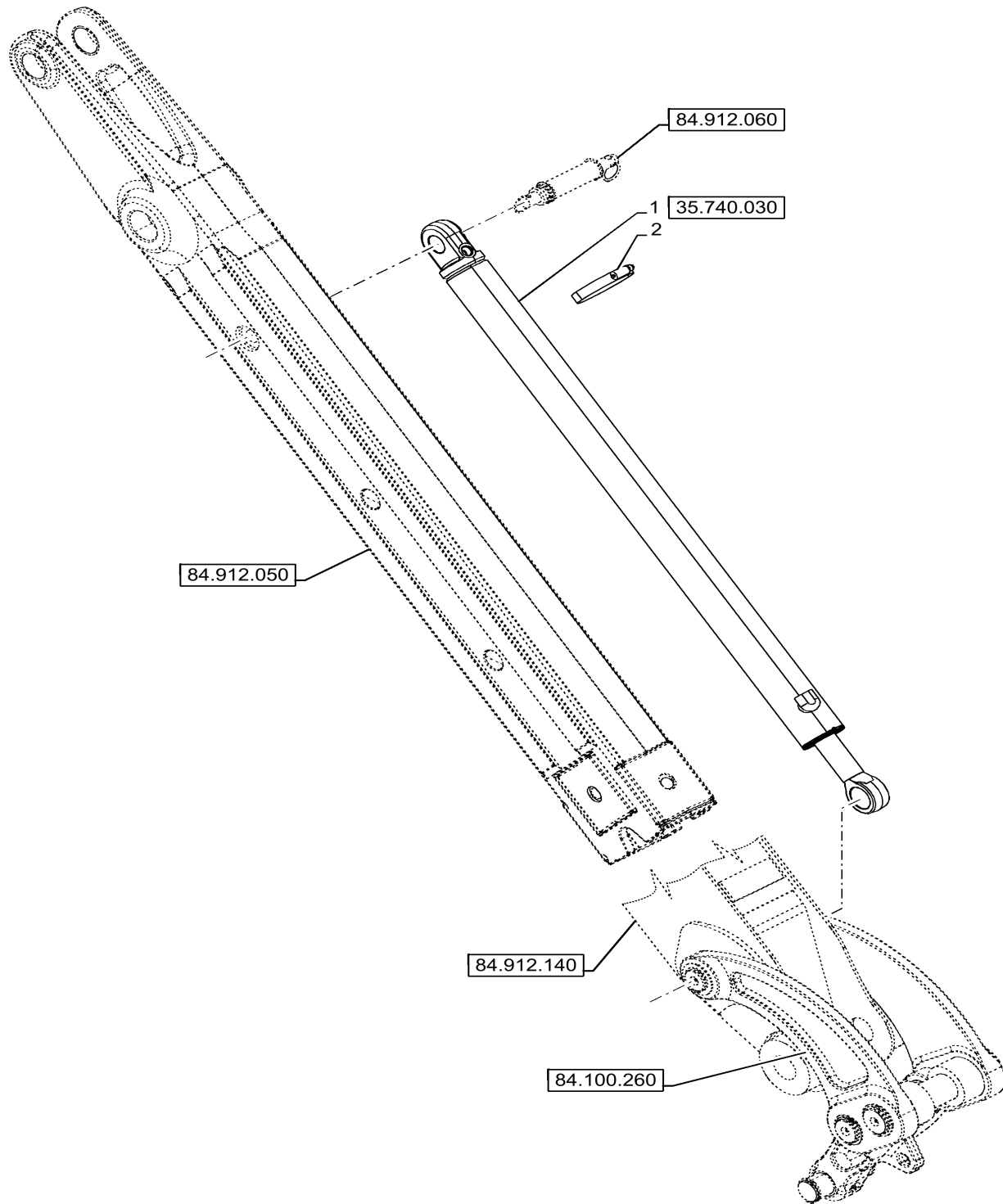


Figure is Valid with Commercial Var. 423076

39.129.050

p1

8/2020

VAR - 442055 - STABILIZER, PAD

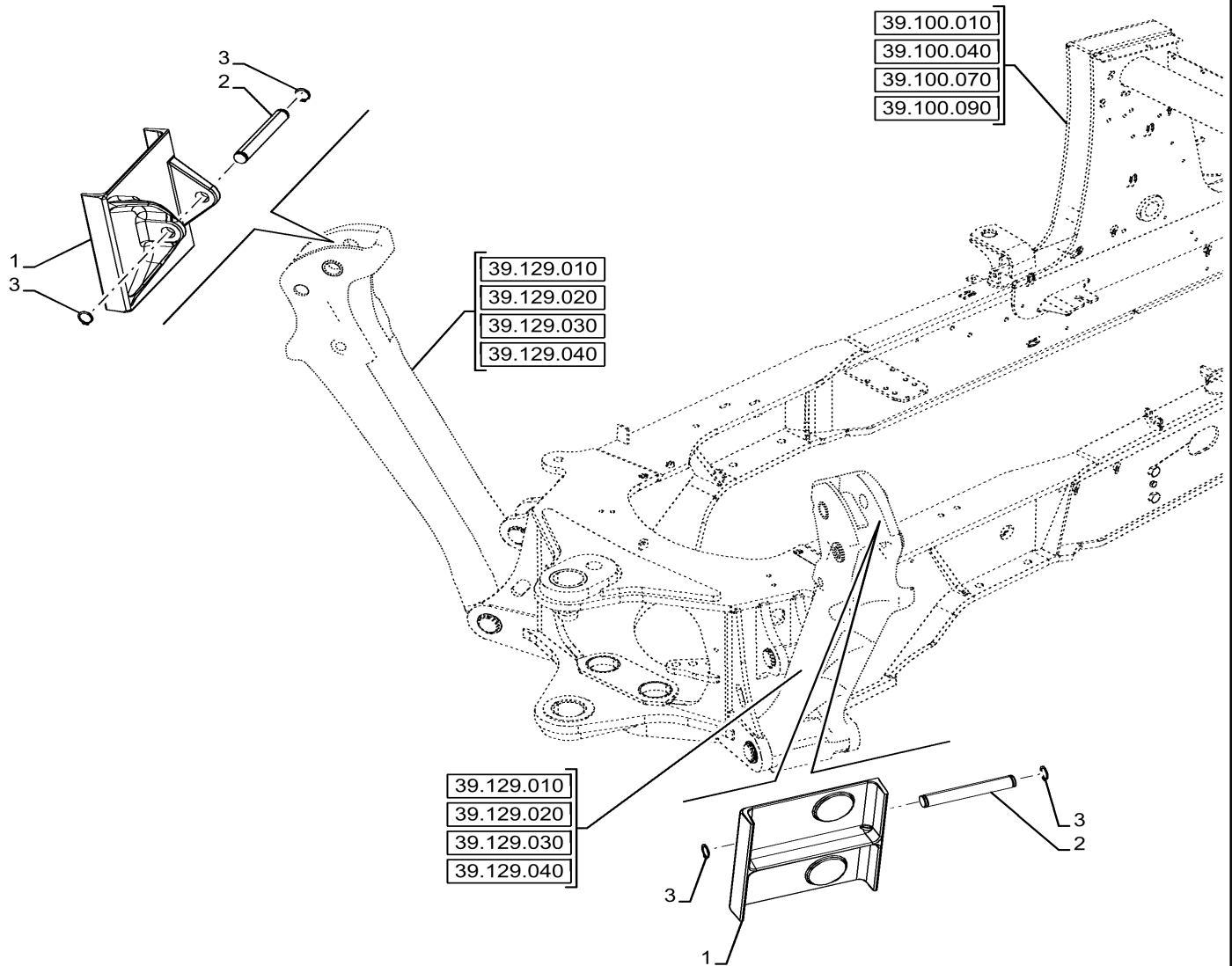


Figure is Valid with Commercial Var. 442055

41.106.040

p1

8/2020

VAR - 745269 - FRONT AXLE, COMPONENTS, STEERING TIE-ROD, STD, 4WD

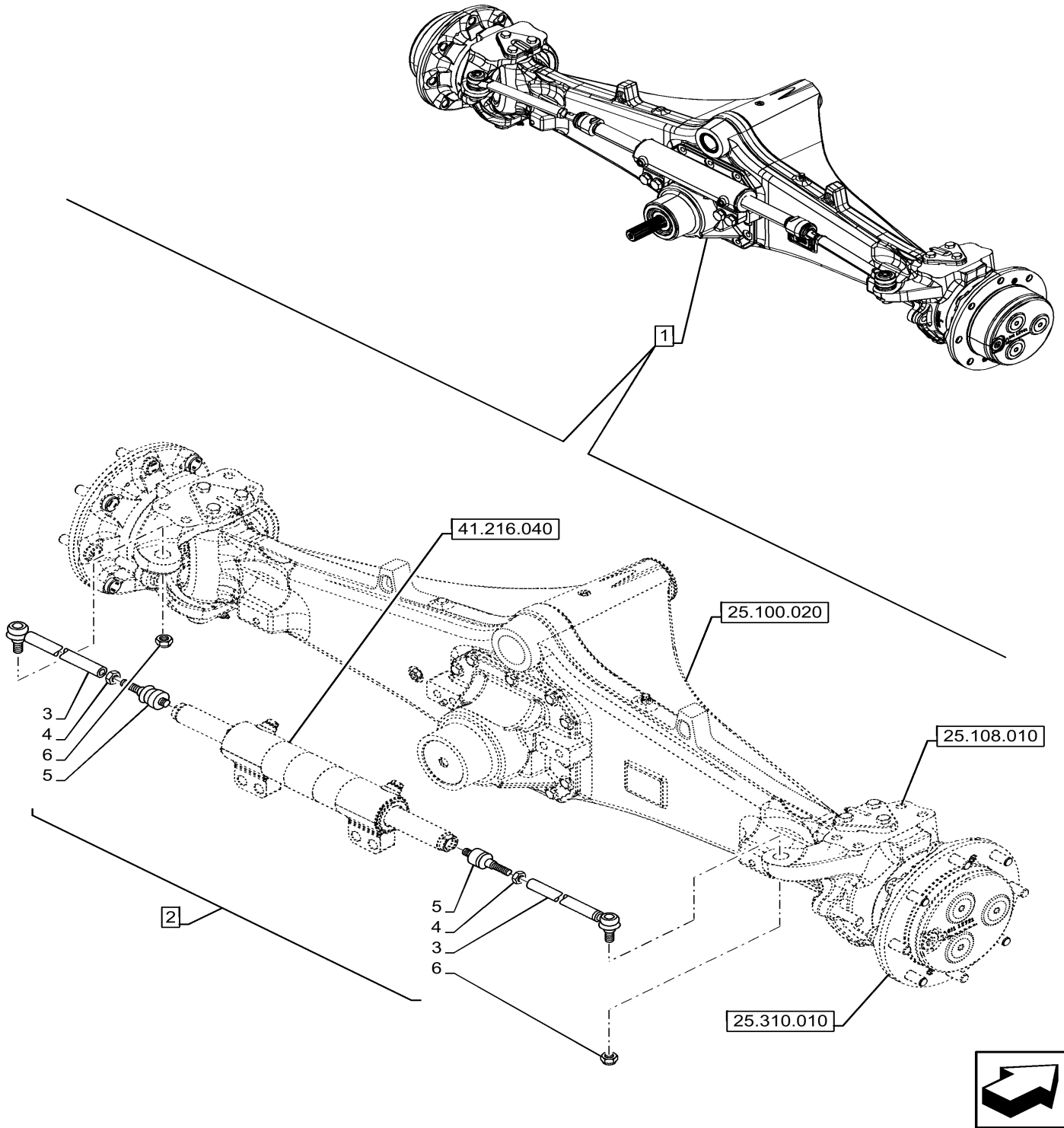


Figure is Valid with Commercial Var. 745269

POWER STEERING PUMP

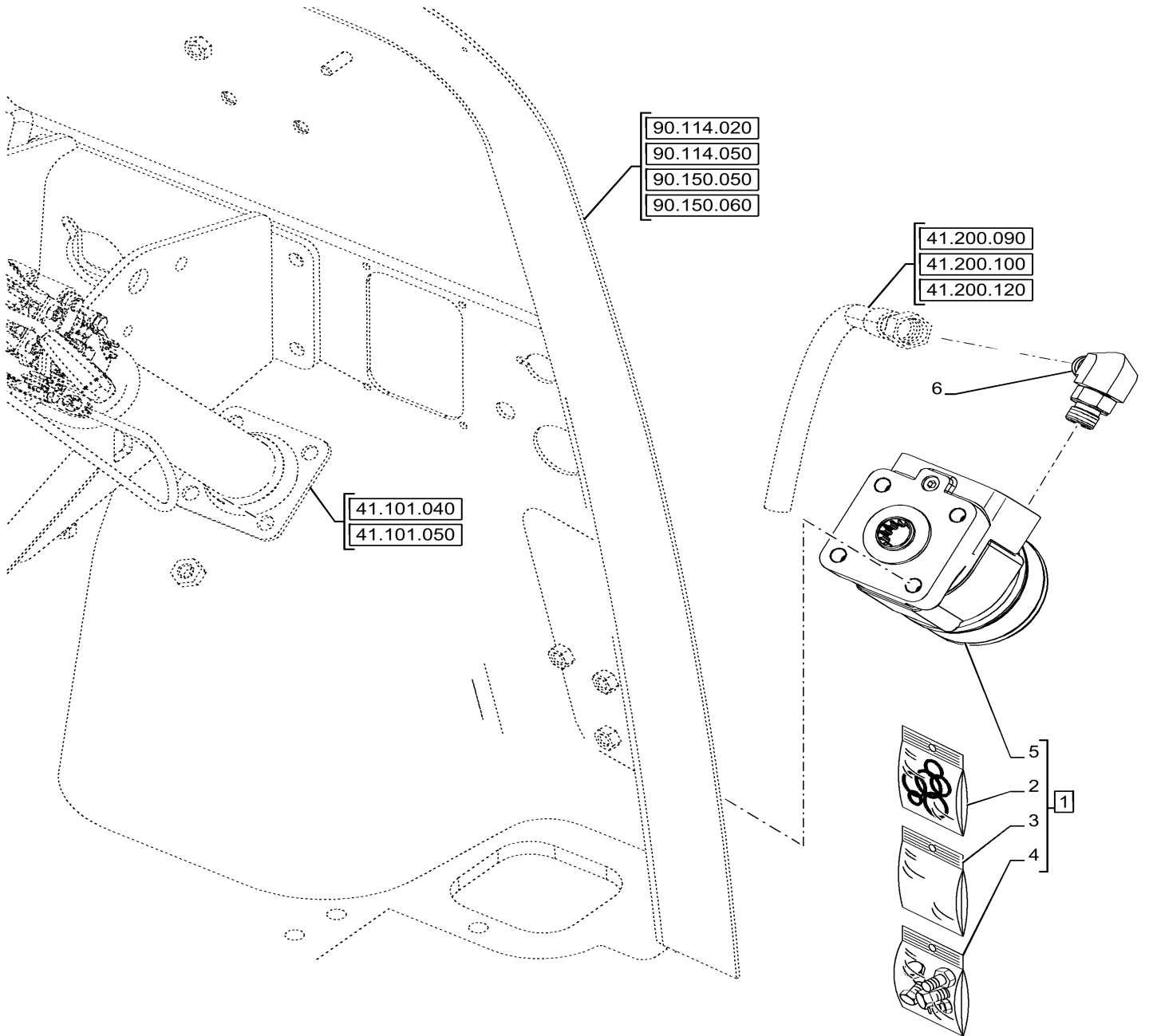


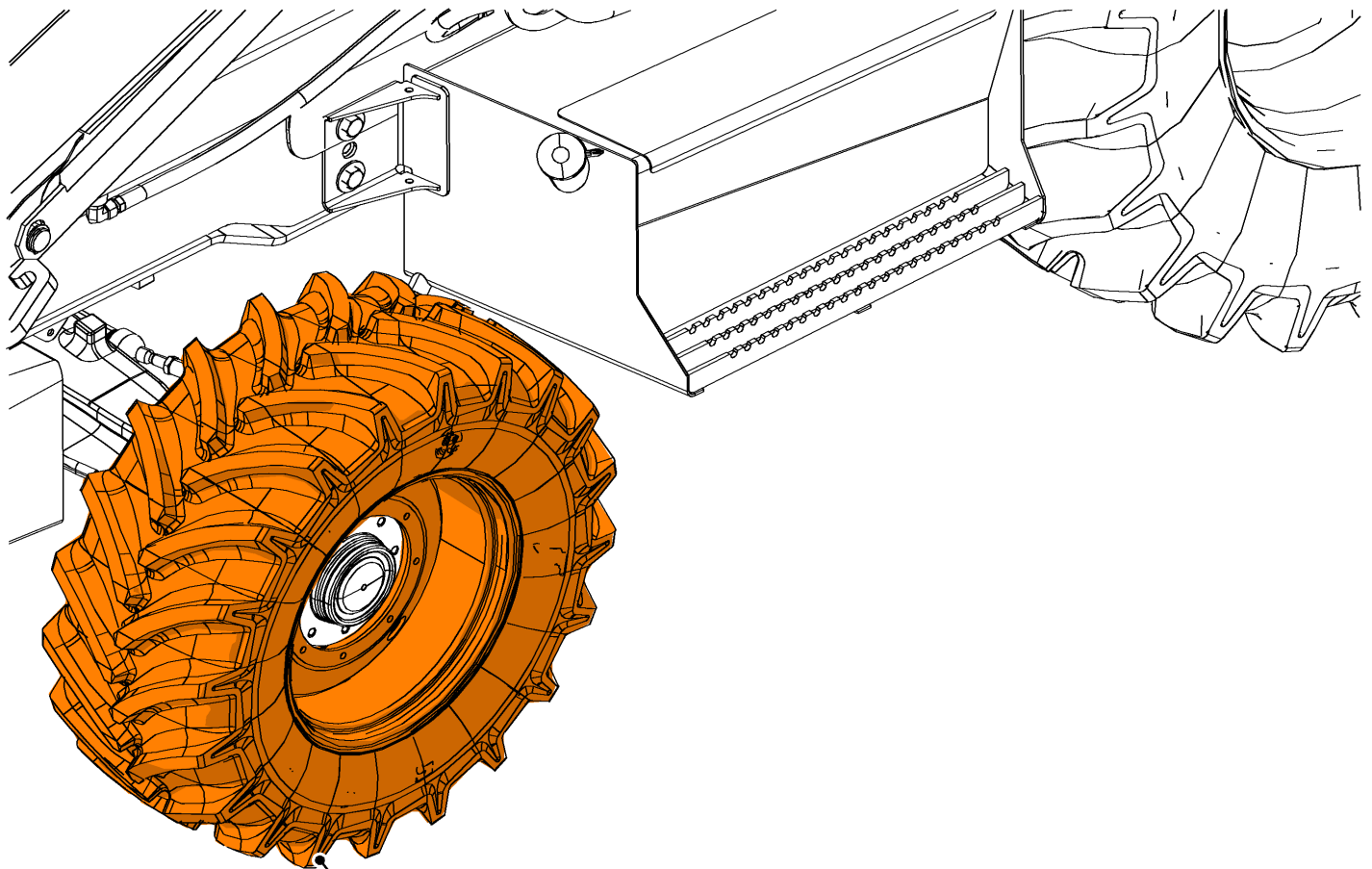
Figure is Valid with STD Equipment

44.000.00

03

p1

8/2020

SECTION INDEX - WHEELS, 4WD

EQUIP	TYRE SIZE	RIM	FIGURE
8201110	12 - 16,5	9,75X16,5	44.511.020
			44.511.030
9200012	14 - 17,5	10,5X17,5	44.511.060
9200015	12,5/80 - 18	9X18	44.511.040
			44.511.080
9200019	12L - 16,5	9,75X16,5	44.511.020
			44.511.030
9200023	300/70 R16,5		44.511.020
			44.511.030
9200024	340/80 R18	11X18	44.511.070
			44.511.090
9200025	360/70 R17,5	10,5X17,5	44.511.060

50.100.030

p1

8/2020

VAR - 747853, 747854, 747855 - CAB, HEATER, HOSE

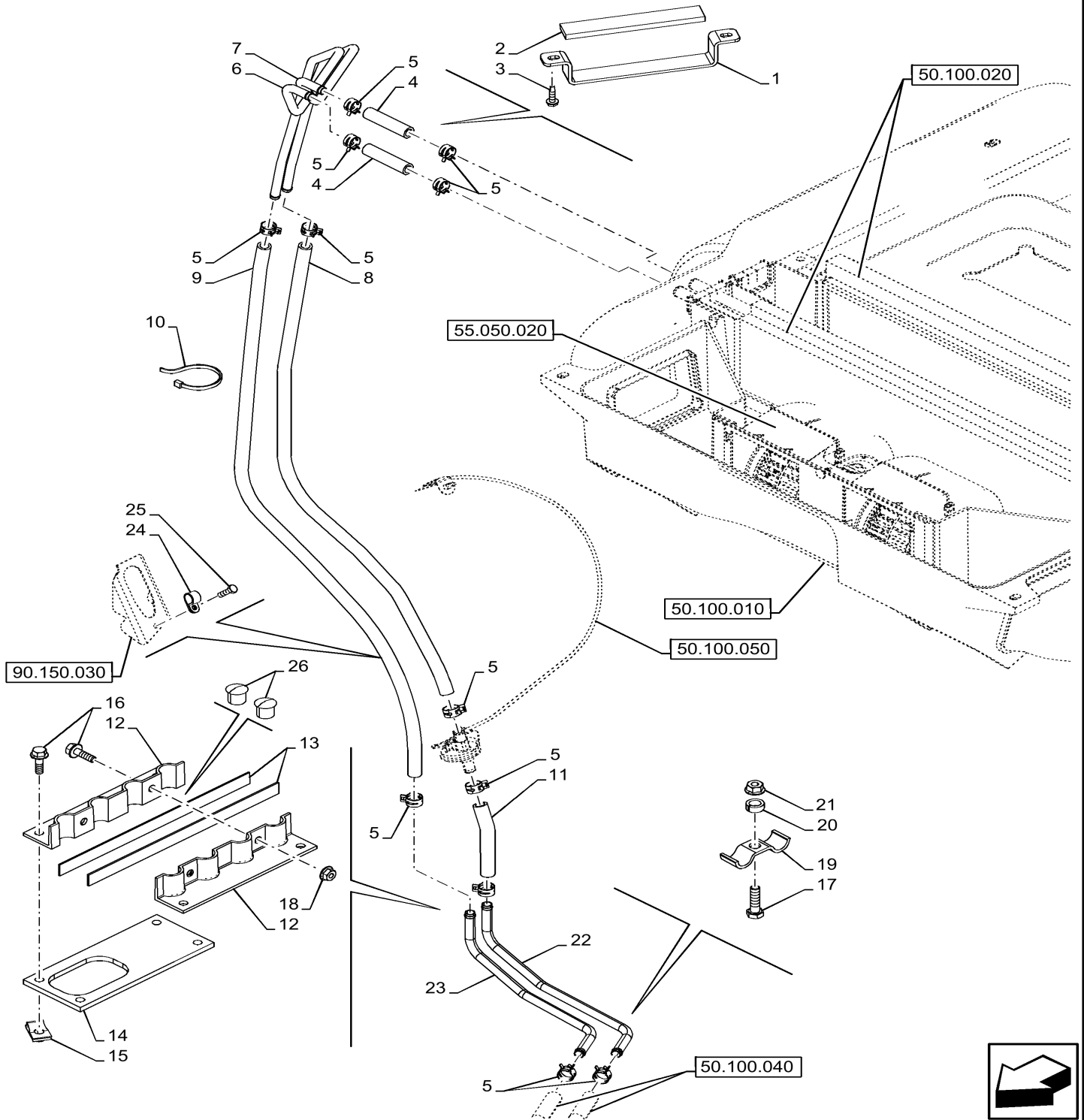


Figure is Valid with Commercial Var. 747853 or Var. 747854 or Var. 747855

SECTION INDEX

ELECTRICAL SYSTEMS

55.510.080	VAR - 423060, 423061, 423062 - SEMI-POWERSHIFT, POWERSHIFT, TRANSMISSION, RIGHT SIDE, HARNESS, W/OPT, FUSE BOX, DIODE
55.510.090	VAR - 747853, 747854, 747855 - CAB, ROOF, WIRE HARNESS
55.511.040	VAR - 423000, 442082 - CANOPY, WORK LIGHT, REAR, HARNESS
55.511.050	VAR - 423000, 442082 - CANOPY, WORK LIGHT, FRONT, HARNESS
55.511.070	VAR - 423000, 442082 - CANOPY, WORK LIGHT, C-POST, HARNESS
55.512.010	INSTRUMENT CLUSTER, MULTIFUNCTION SWITCH
55.512.020	ELECTRONIC CONTROL UNIT
55.512.040	HORN, SWITCH
55.512.050	VAR - 745171 - ENGINE, ECONOMY, SWITCH
55.512.060	CAB, SPEAKER, WIRE
55.512.070	VAR - 442083 - CAB, SPEAKER, WIRE
55.512.090	RADIO, ANTENNA
55.512.100	VAR - 442083 - RADIO, ANTENNA
55.512.110	VAR - 423077 - RADIO
55.512.150	VAR - 423083, 423084 - OPTIONAL EQUIPMENT, SWITCH
55.512.160	VAR - 423083, 747661 - ELECTRONIC, PEDAL
55.512.170	ELECTRONIC LIFT, SWITCH
55.512.180	VAR - 423080 - ELECTRONIC LIFT, SWITCH
55.512.190	VAR - 423080 - VALVE HEAVY LIFT, COMPONENTS, SOLENOID
55.512.220	VALVE HEAVY LIFT, COMPONENTS, SOLENOID
55.512.240	VAR - 747851 - SEAT, MECHANICAL SUSPENSION, VYNIL, SWITCH, HARNESS, COMPONENTS
55.512.250	VAR - 747770 - SEAT, MECHANICAL SUSPENSION, FABRIC, SWITCH, HARNESS, COMPONENTS
55.512.260	VAR - 747897 - SEAT, MECHANICAL, SUSPENSION, FABRIC, SWITCH, HARNESS
55.512.270	VAR - 745160 - SEAT, AIR SUSPENSION, W/ HEATED CUSHIONS, VYNIL, DELUXE, SWITCH, HARNESS, COMPONENTS
55.512.280	VAR - 745161 - SEAT, AIR SUSPENSION, W/ HEATED CUSHIONS, FABRIC, DELUXE, SWITCH, HARNESS
55.512.290	2-SPOOL CONTROL VALVE, POWERSHUTTLE, TRANSMISSION, LOADER, JOYSTICK MOUNTING
55.512.300	2-SPOOL CONTROL VALVE, POWERSHUTTLE, TRANSMISSION, LOADER, JOYSTICK, COMPONENTS
55.512.310	3-SPOOL CONTROL VALVE, POWERSHUTTLE TRANSMISSION, LOADER, JOYSTICK MOUNTING
55.512.320	3-SPOOL CONTROL VALVE, POWERSHUTTLE TRANSMISSION, LOADER, JOYSTICK, COMPONENTS
55.512.330	2-SPOOL CONTROL VALVE, SEMI-POWERSHIFT, POWERSHIFT, TRANSMISSION, LOADER, JOYSTICK MOUNTING
55.512.340	2-SPOOL CONTROL VALVE, SEMI-POWERSHIFT, POWERSHIFT TRANSMISSION, LOADER, JOYSTICK, COMPONENTS

55.014.010

p1

8/2020

AIR CLEANER, VACUUM, SWITCH

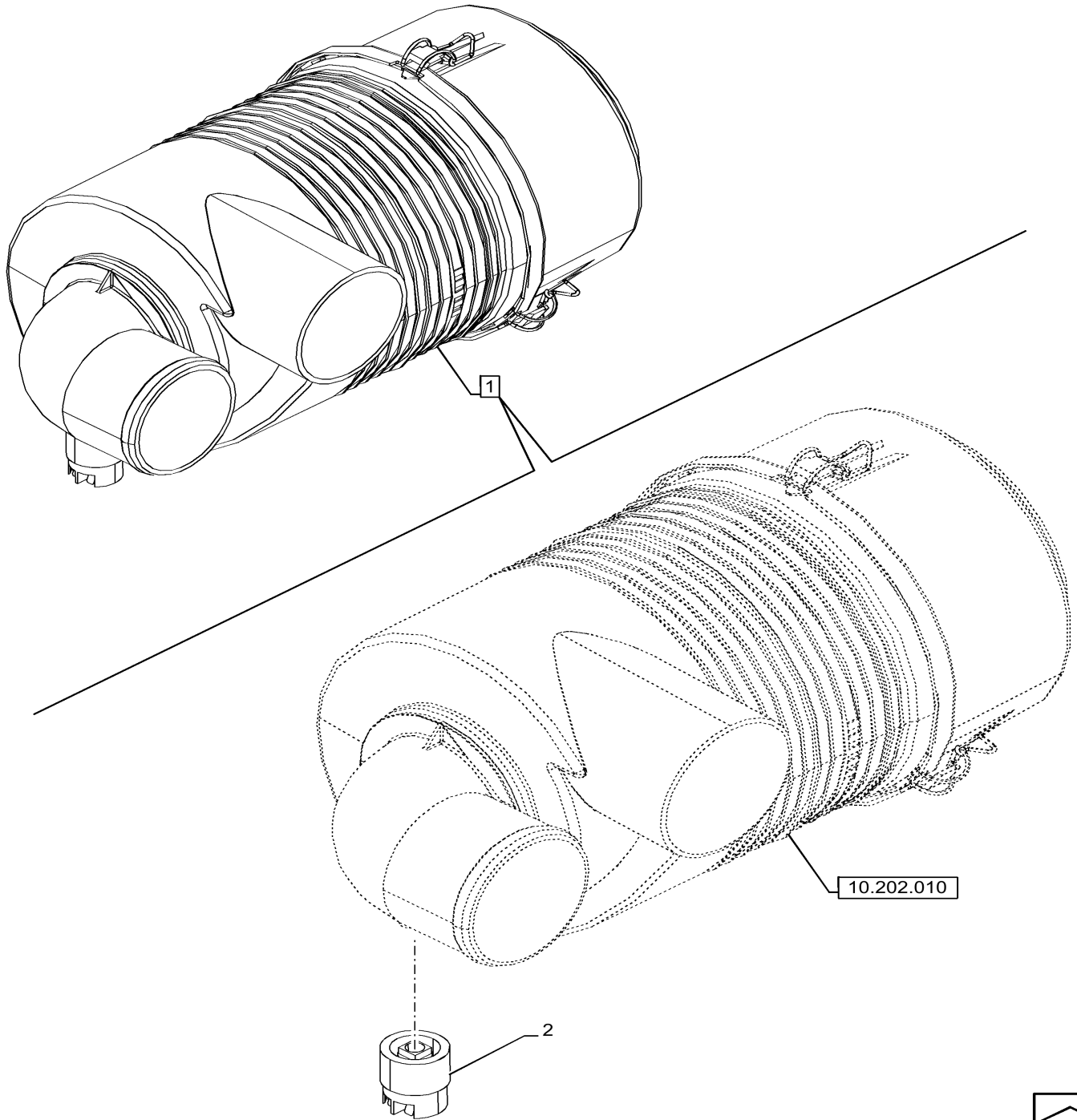


Figure is Valid with STD Equipment

55.022.010

p1

8/2020

TRANSMISSION, TEMPERATURE SWITCH

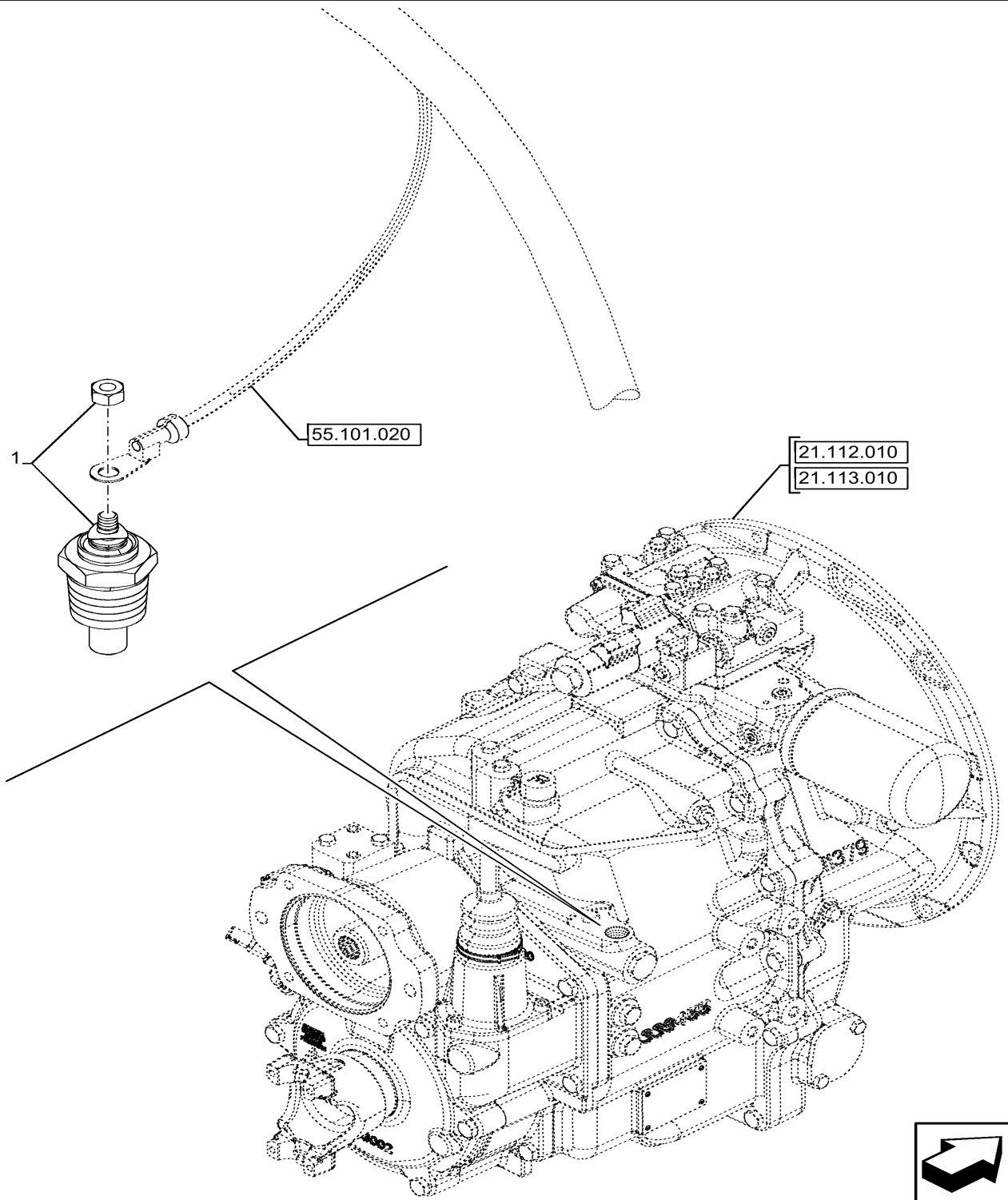


Figure is Valid with STD Equipment

55.024.120

p1

8/2020

VAR - 423062 - TRANSMISSION, POWERSHIFT, CONTROL VALVE, COMPONENTS, 4WD

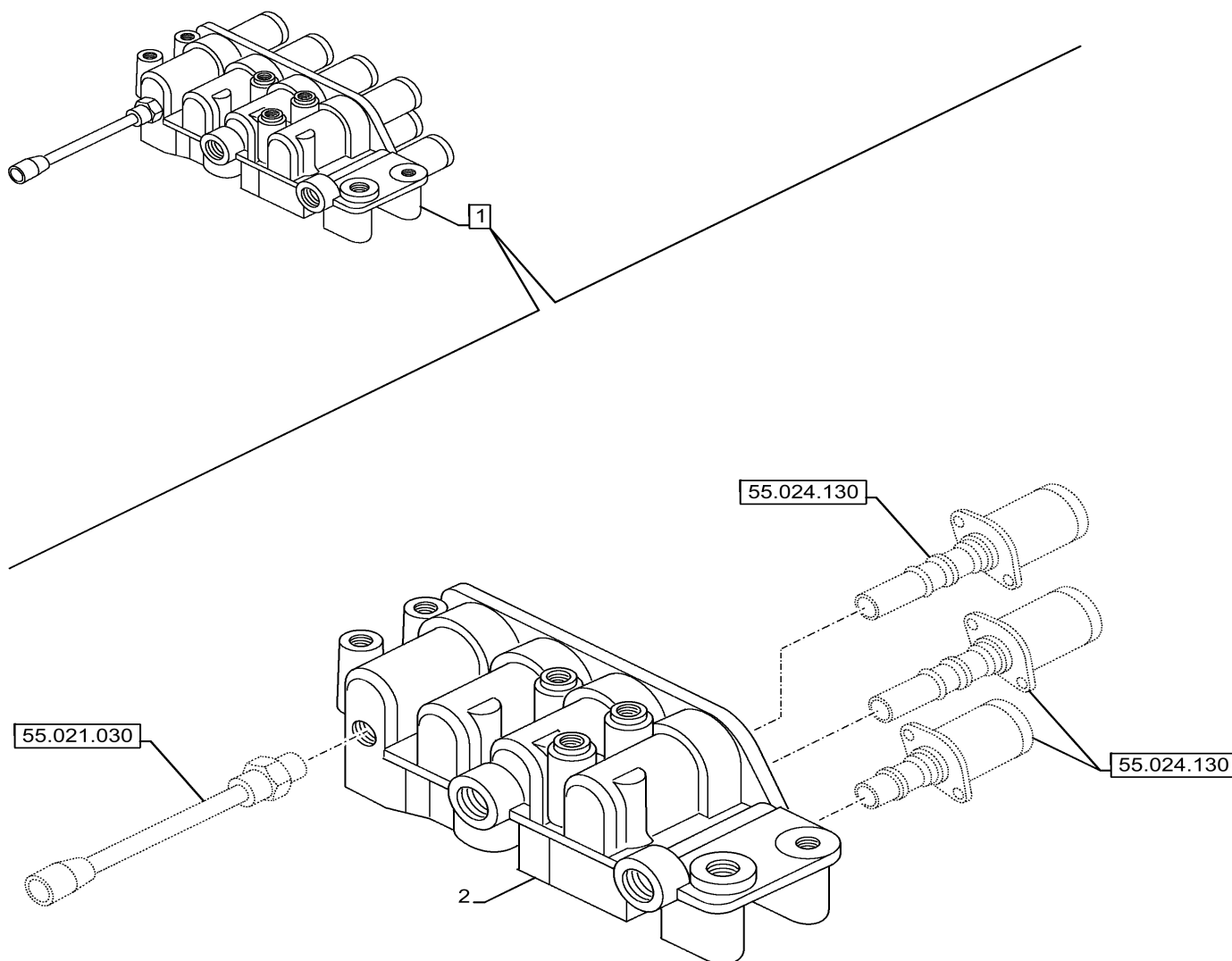


Figure is Valid with Commercial Var. 423062

55.036.090

p1

8/2020

VARIABLE DISPLACEMENT HYDRAULIC PUMP (W/O POWER LIFT, W/O DUAL BATTERIES), COMPONENTS, CONTROL VALVE

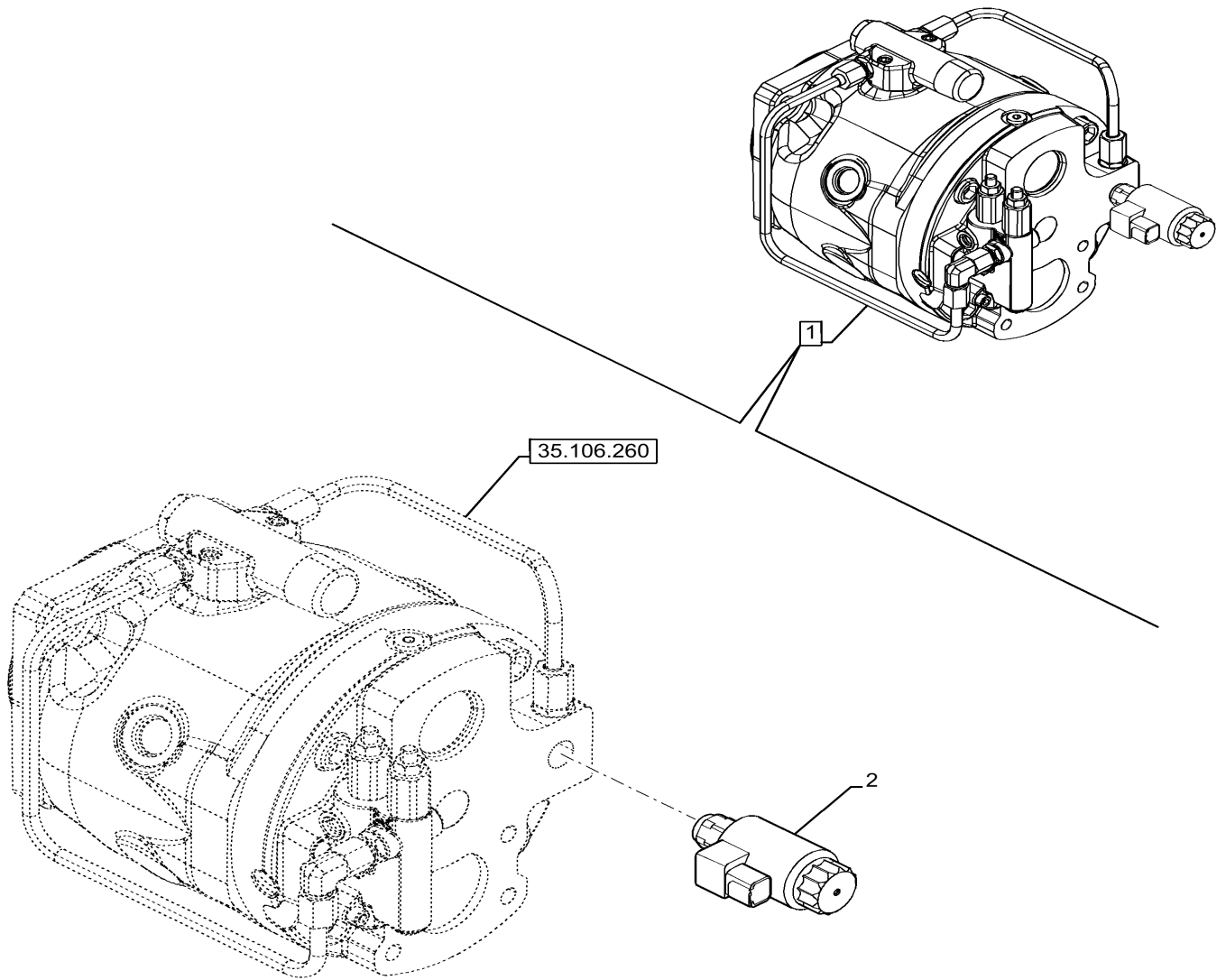


Figure is Valid with STD Equipment only when Var. 742369 (2 Levers Control) or Var. X20038X (Standard Foot Swing Control) or Var. X02048X (W/O Cold Start Aid) or Var. X20233X (W/O Heavy Lift) is Equipped

55.050.020

p1

8/2020

VAR - 747853, 747854, 747855 - CAB, HEATER, BLOWER

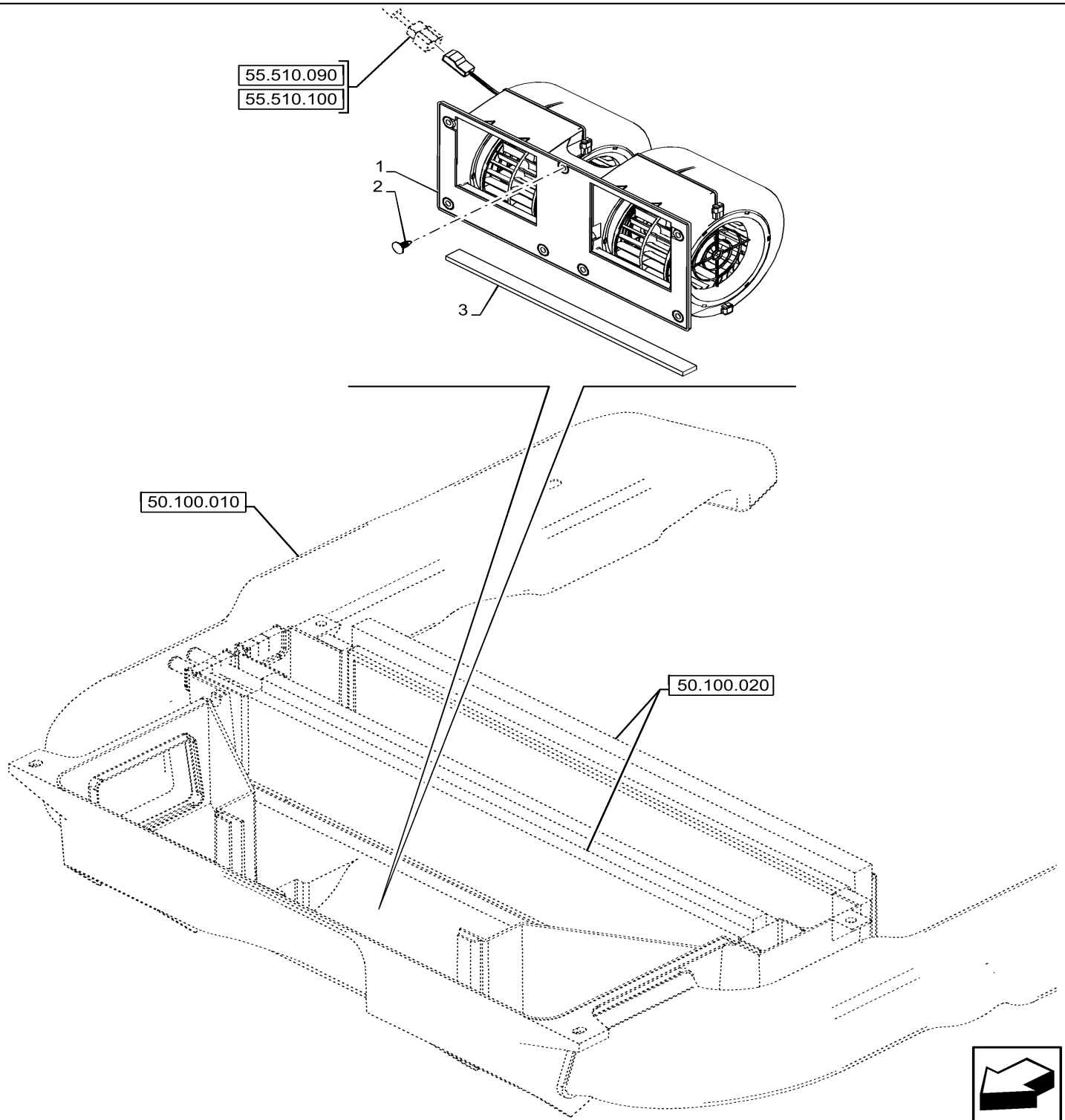


Figure is Valid with Commercial Var. 747853 or Var. 747854 or Var. 747855

55.100.110

p1

8/2020

VAR - 423083 - HARNESS, HAMMER, MECHANICAL, CONTROLS

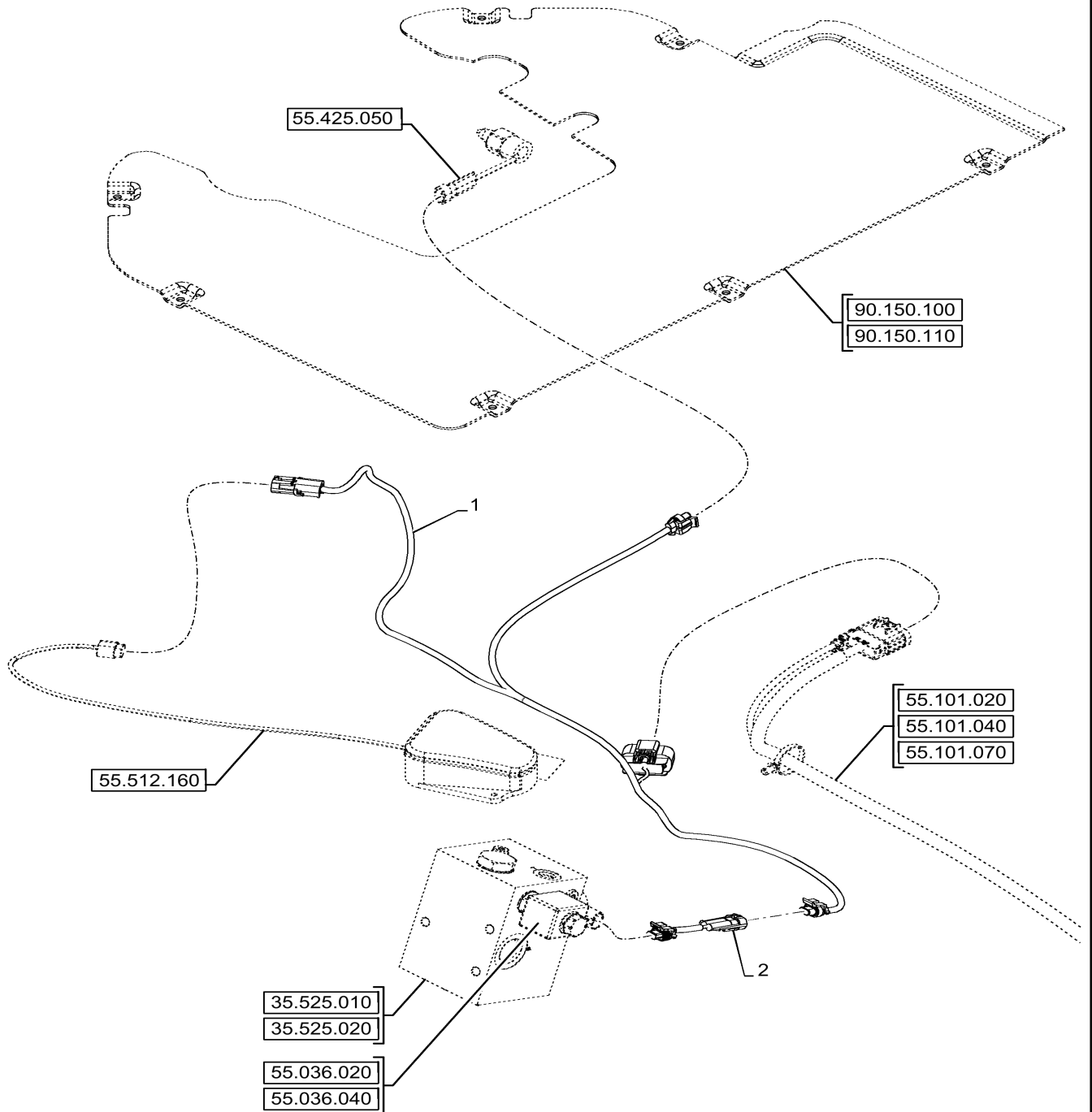


Figure is Valid with Commercial Var. 423083

55.202.020

p1

8/2020

VAR - 423088 - BLOCK HEATER

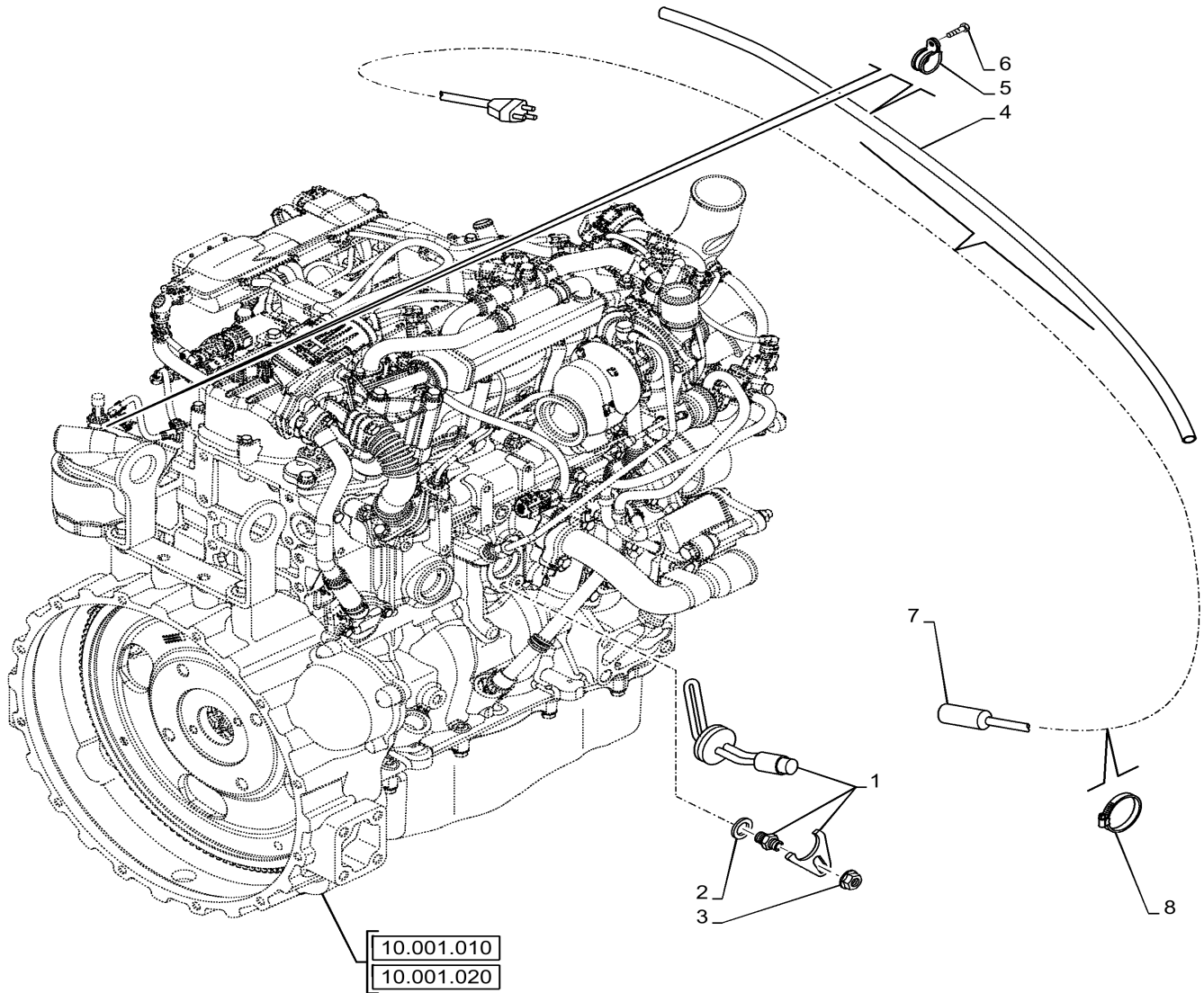


Figure is Valid with Commercial Var. 423088

55.404.060

p1

8/2020

VAR - 747853, 747854, 747855 - CAB, FRONT, FLASHER LAMP

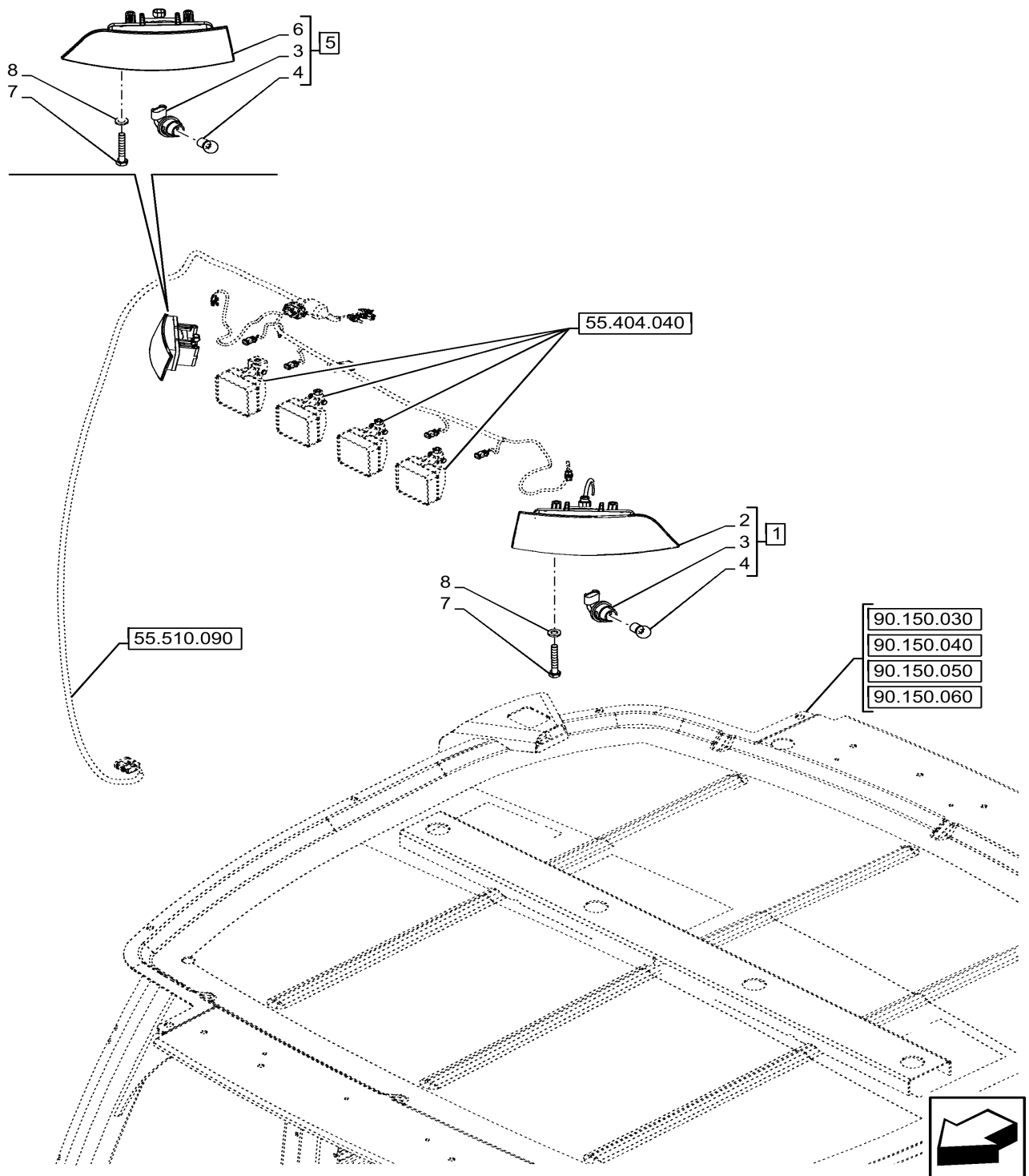


Figure is Valid with Commercial Var. 747853 or Var. 747854 or Var. 747855

55.405.070

p1

8/2020

VAR - 423058, 423059 - POWERSHUTTLE, TRANSMISSION, HARNESS, W/ OPT, INDICATOR LIGHT, SWITCH

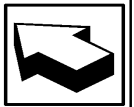
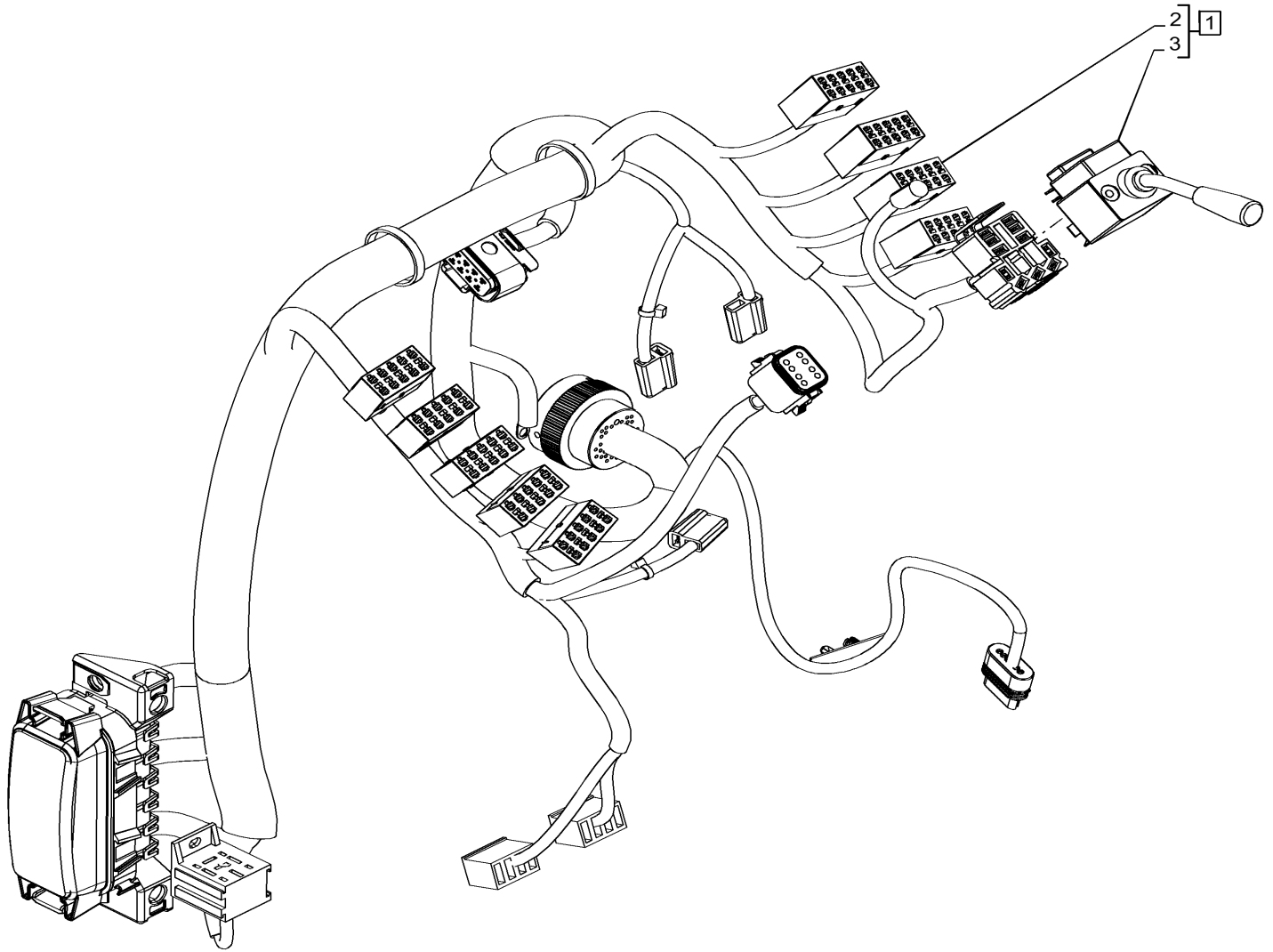


Figure is Valid with Commercial Var. 423058 or Var. 423059

55.425.050

p1

8/2020

7-SPOOL, AUXILIARY CONTROL VALVE, SENSOR

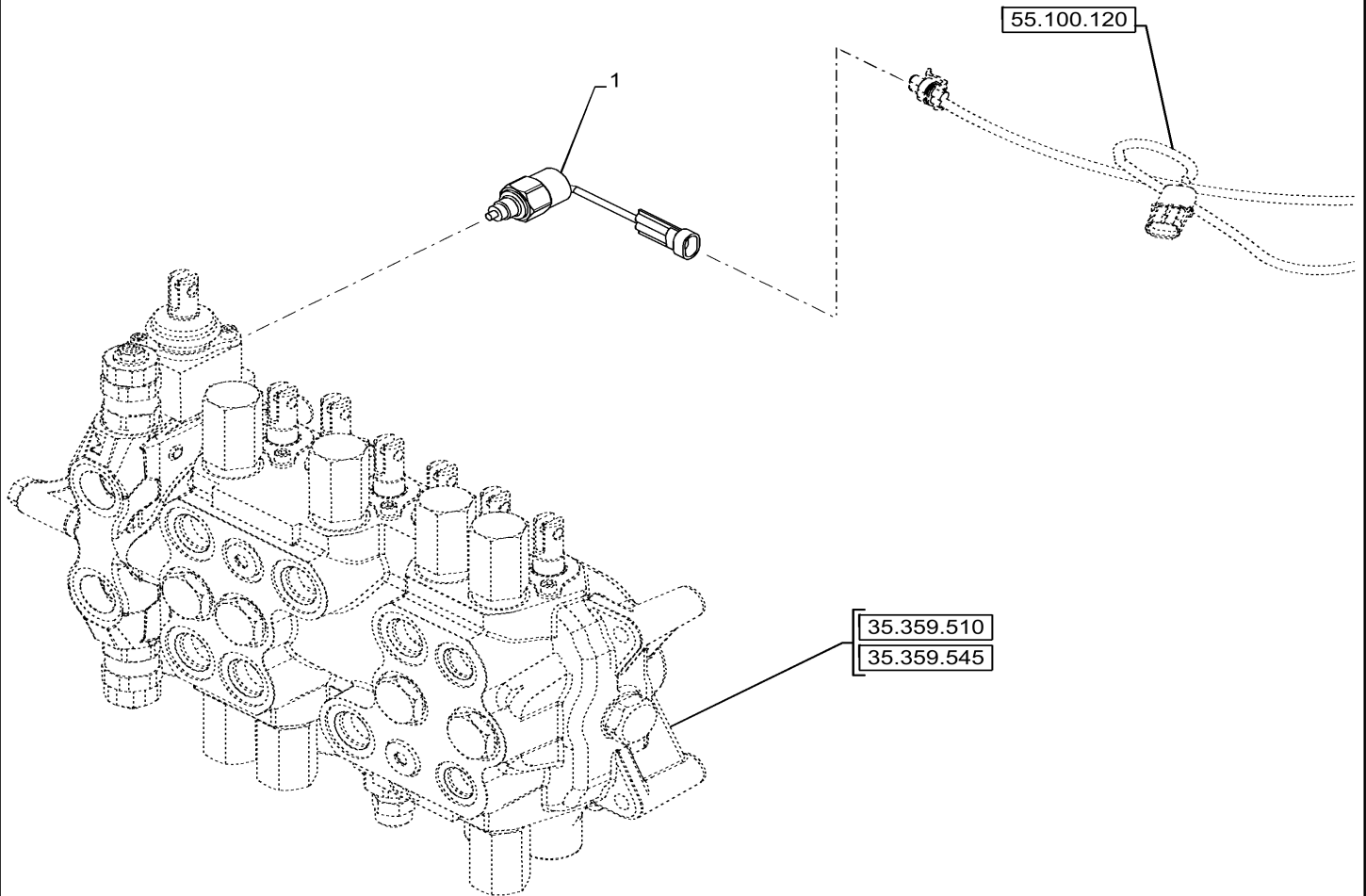


Figure is Valid with STD Equipment only when Var. 423075 (Standard Backhoe) or Var. 423083 (Combo Direct - Manual Controls) or Var. 423084 (Combo Direct - Pilot Controls) or Var. 742369 (2 Lever Controls) or Var. X20038X (Std Foot Swing Controls) is Equipped

55.511.070

p1

8/2020

VAR - 423000, 442082 - CANOPY, WORK LIGHT, C-POST, HARNESS

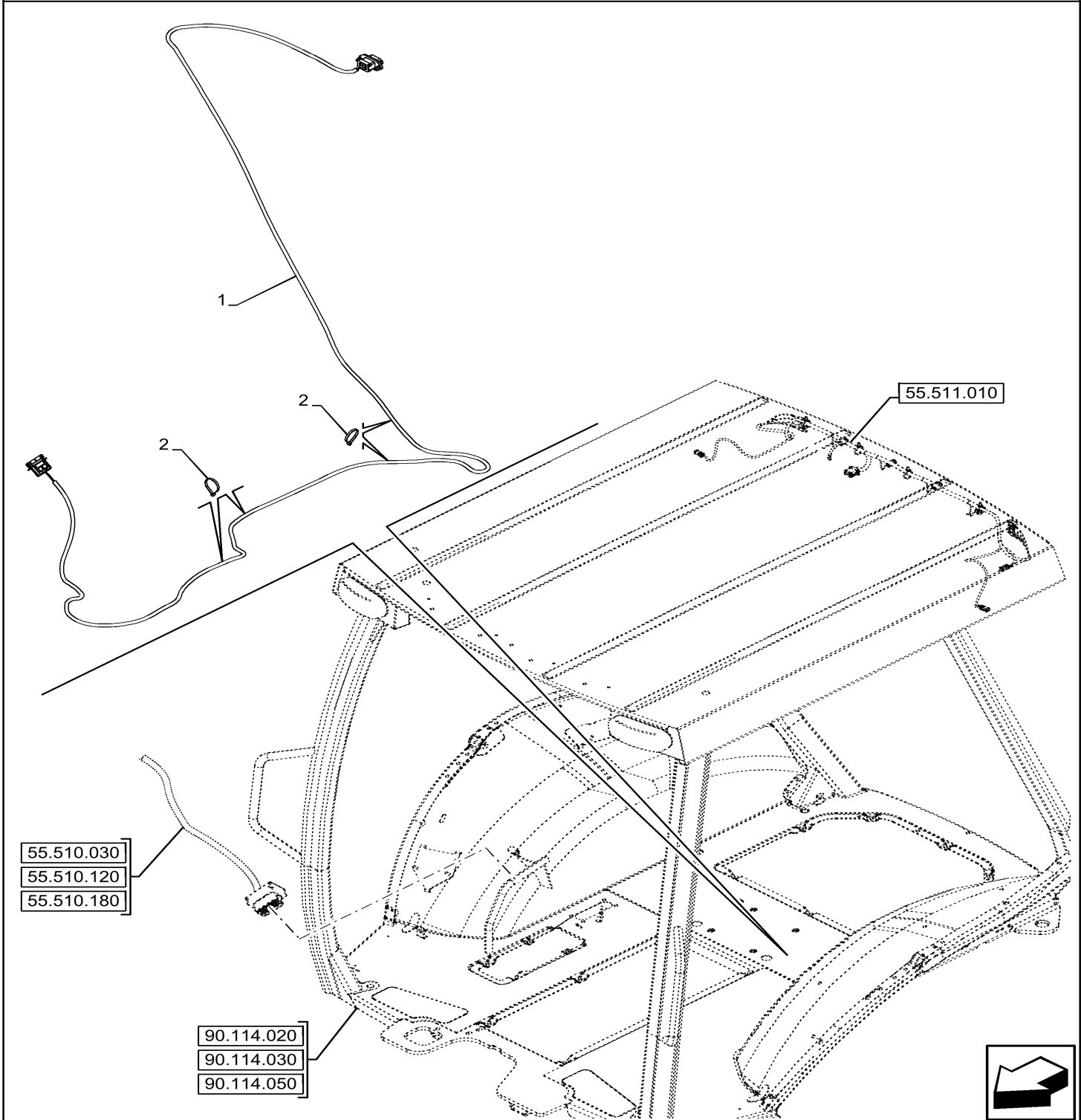


Figure is Valid with Commercial Var. 423000 or Var. 442082

ELECTRONIC LIFT, SWITCH

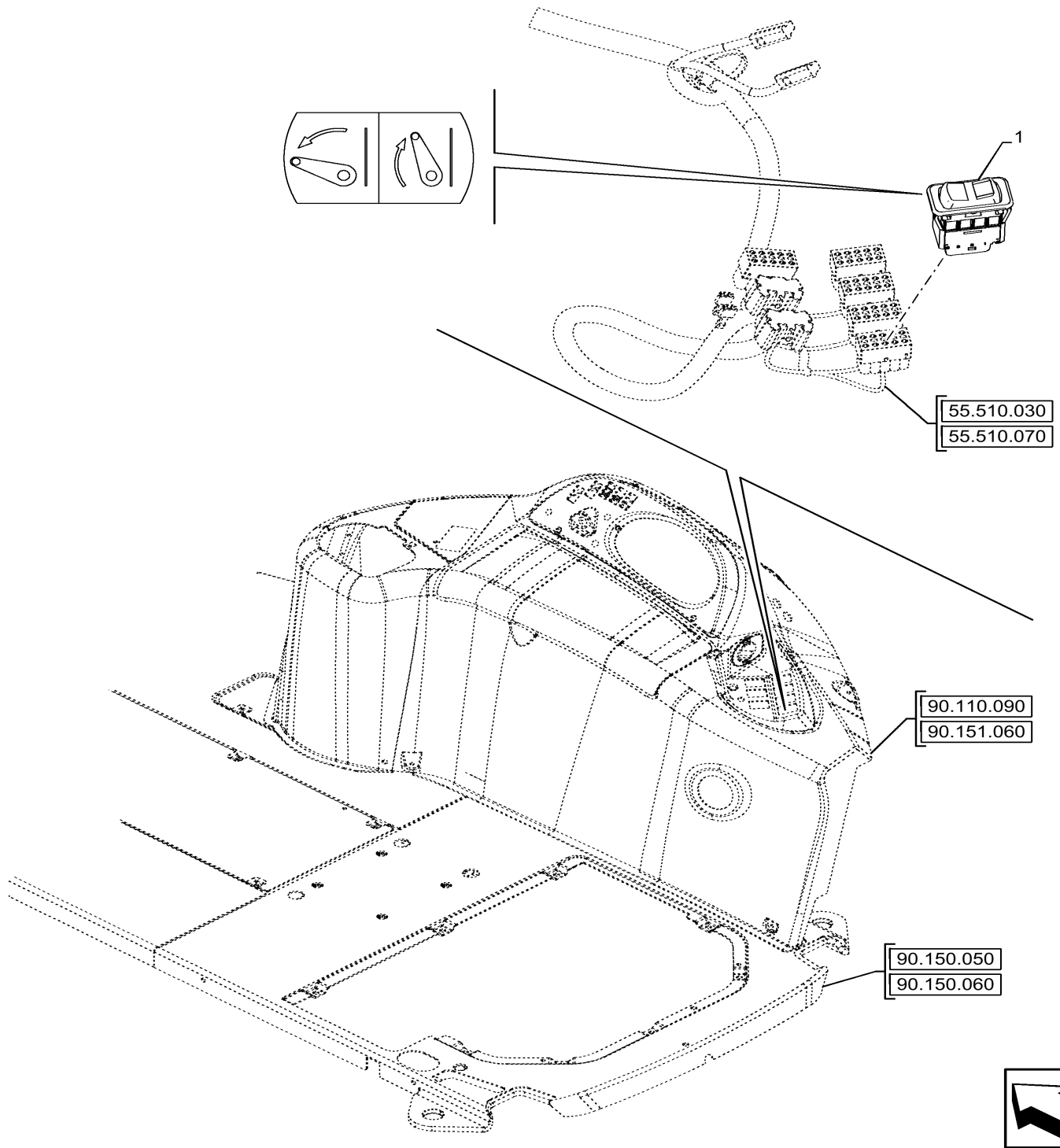


Figure is Valid with STD Equipment

55.512.320

p1

8/2020

3-SPOOL CONTROL VALVE, POWERSHUTTLE TRANSMISSION, LOADER, JOYSTICK, COMPONENTS

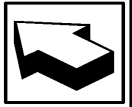
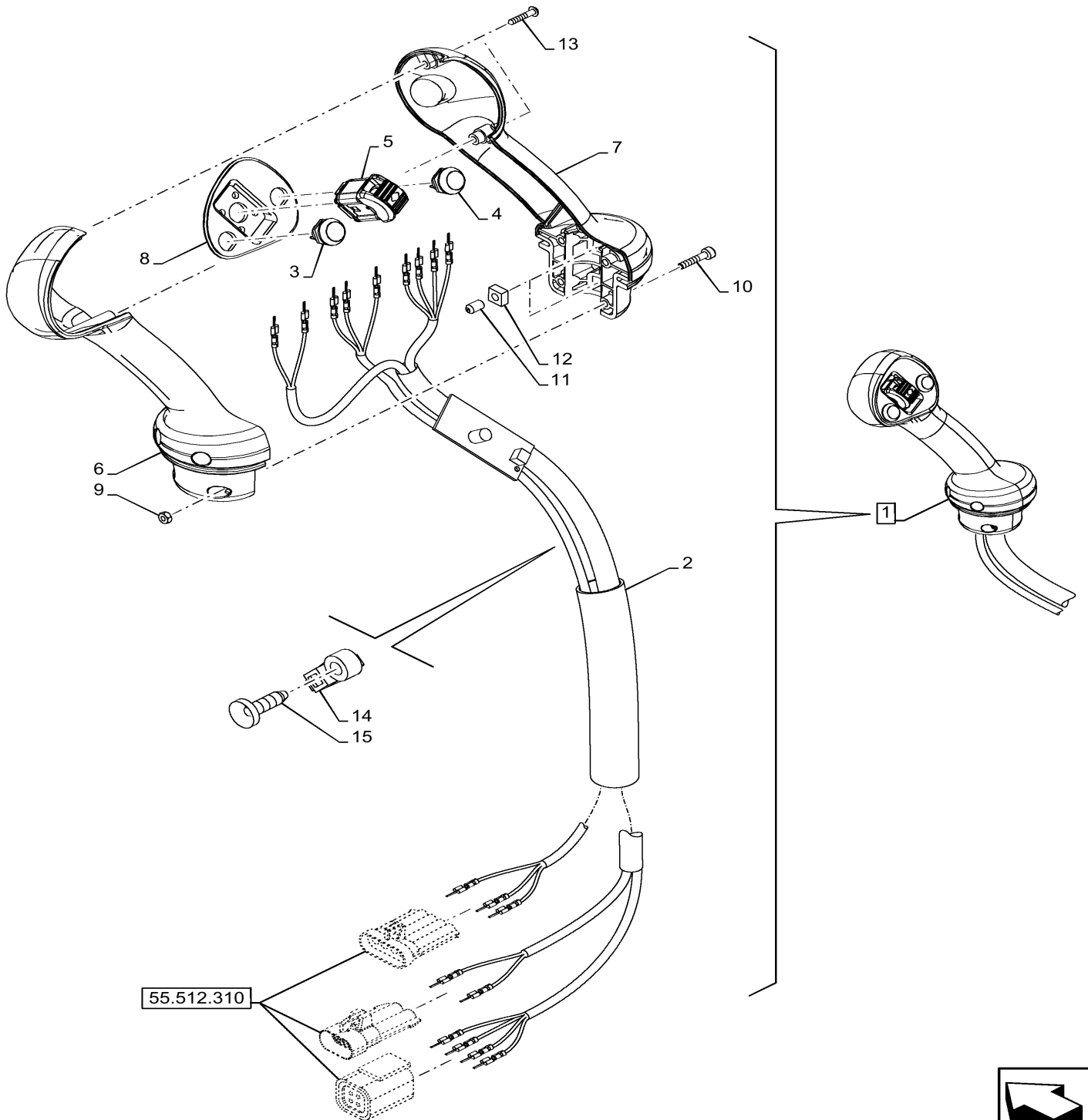


Figure is Valid with STD Equipment only when Var. 423058, 423059 (STD Transmission) or Var. 747776, 747864 (3 Spool Valve Hydraulics) or Var 423049 (Tool Coupler Hydraulic) or Var 742242 (No Loader Bucket) or Var. 423003, 423004, 423079, 742433, 747539, 747657, 747862, 747863 (Bucket) is Equipped

55.513.030

p1

8/2020

VAR - 423058, 423059 - POWERSHUTTLE, TRANSMISSION, FORWARD/REVERSE LEVER, SWITCH

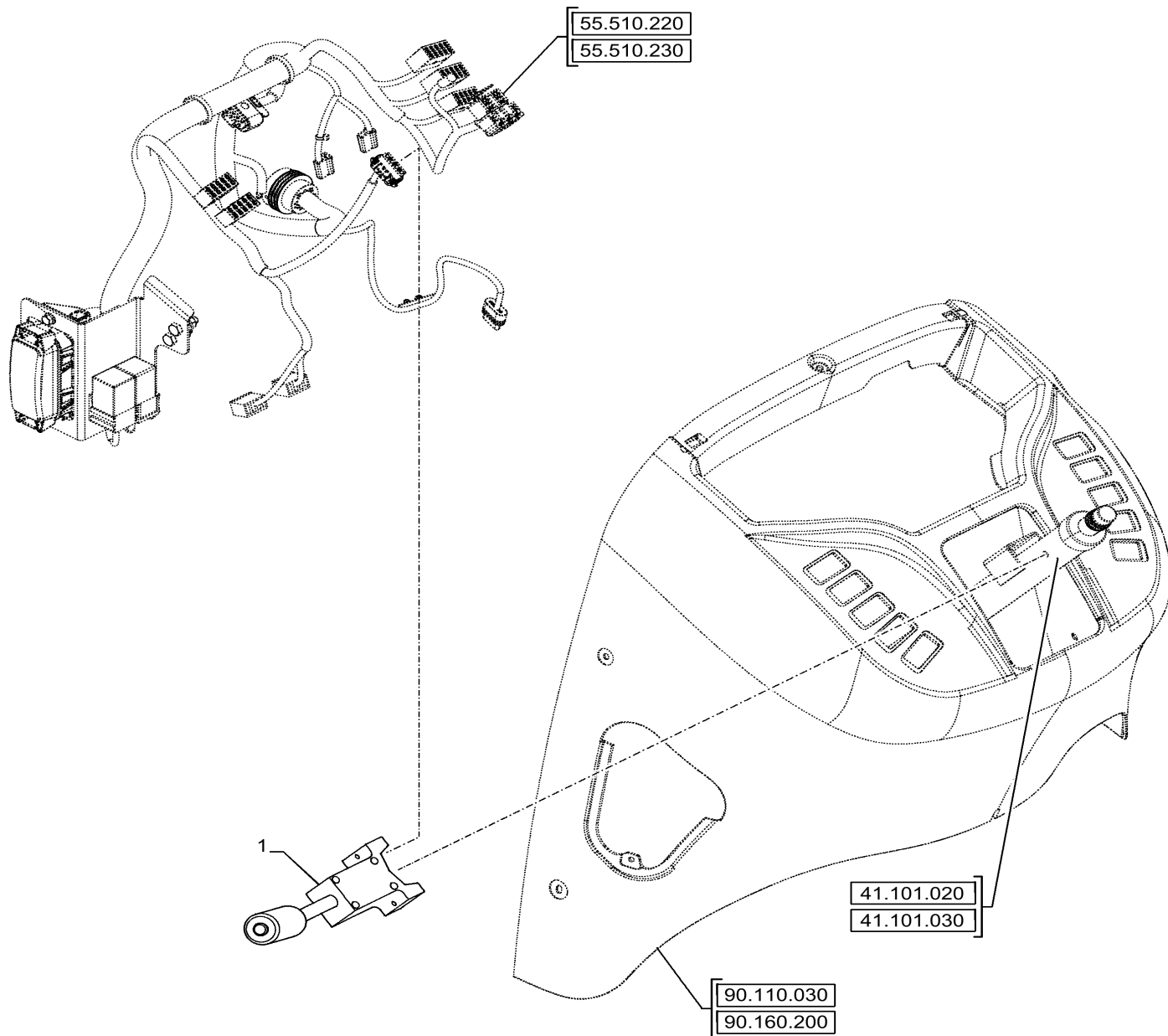


Figure is Valid with Commercial Var. 423058 or Var. 423059

55.518.100

p1

8/2020

VAR - 747853, 747854, 747855 - CAB, WINDSHIELD WASHER , RESERVOIR

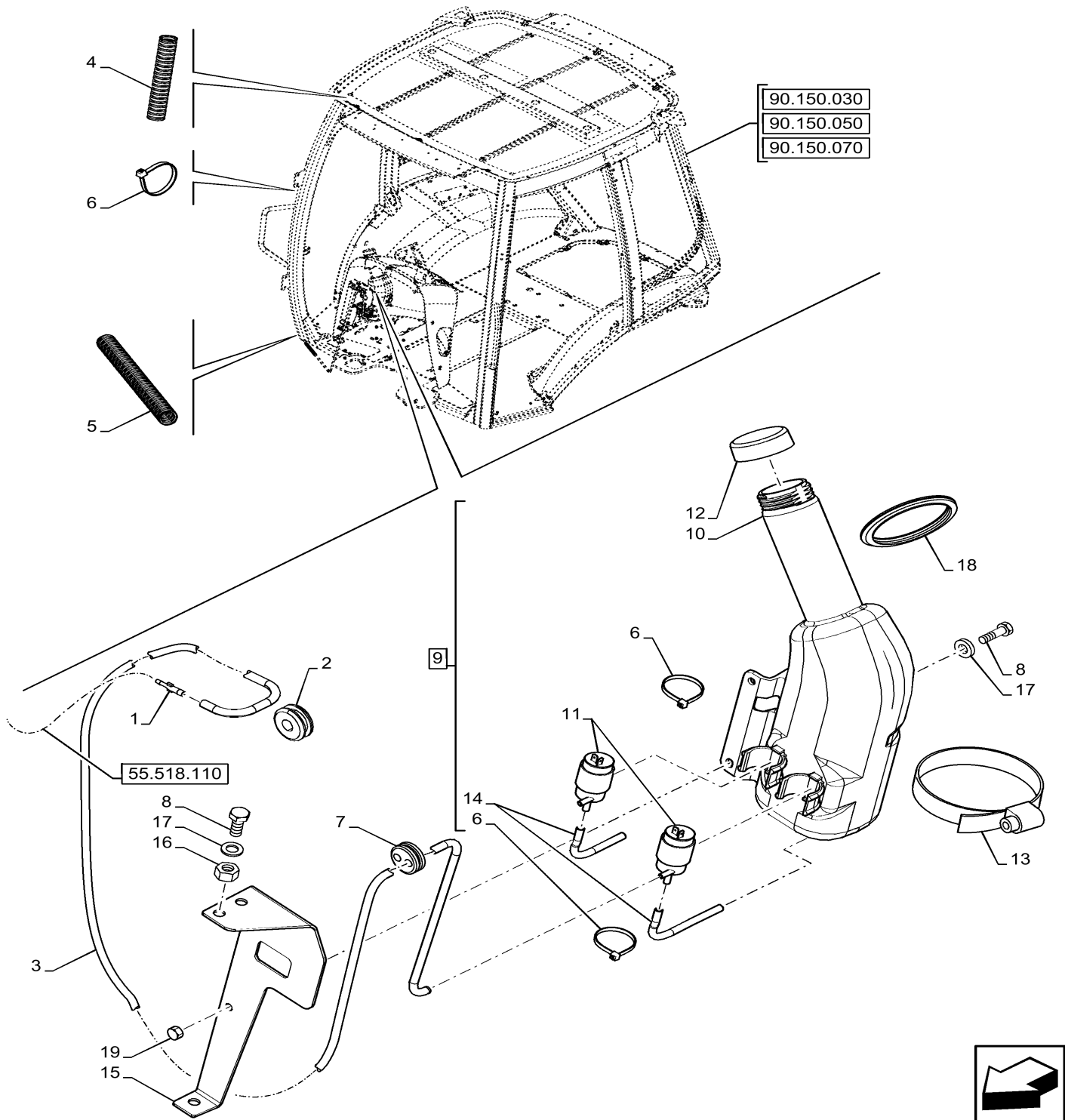


Figure is Valid with Commercial Var. 747853 or Var. 747854 or Var. 747855

RIDE CONTROL SWITCH

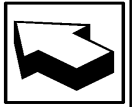
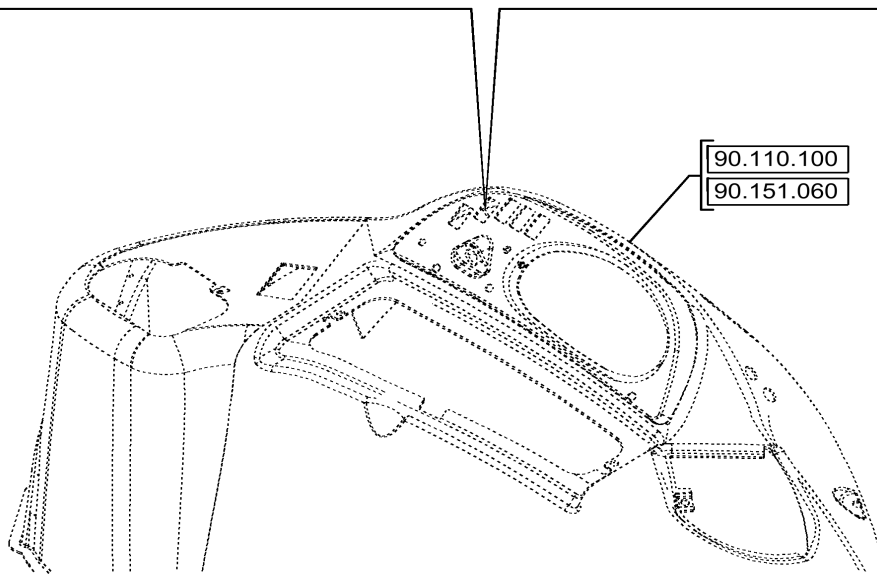
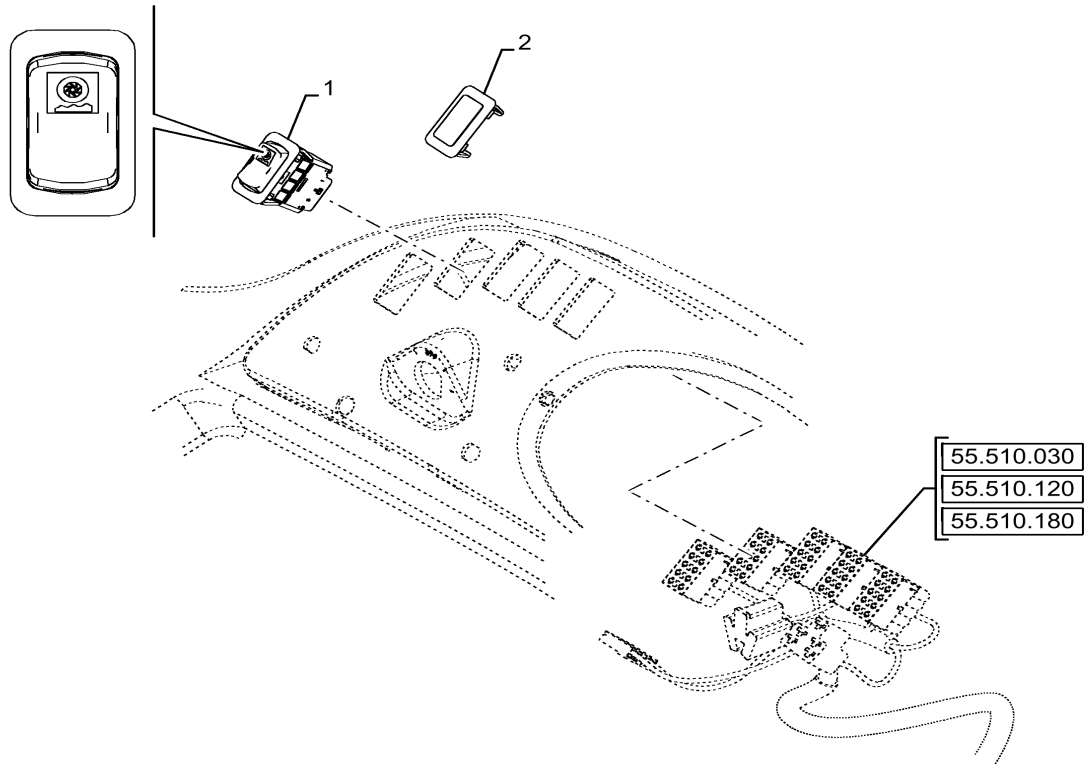


Figure is Valid with STD Equipment

55.989.020

p1

8/2020

EXHAUST SYSTEM, TEMPERATURE SENSOR

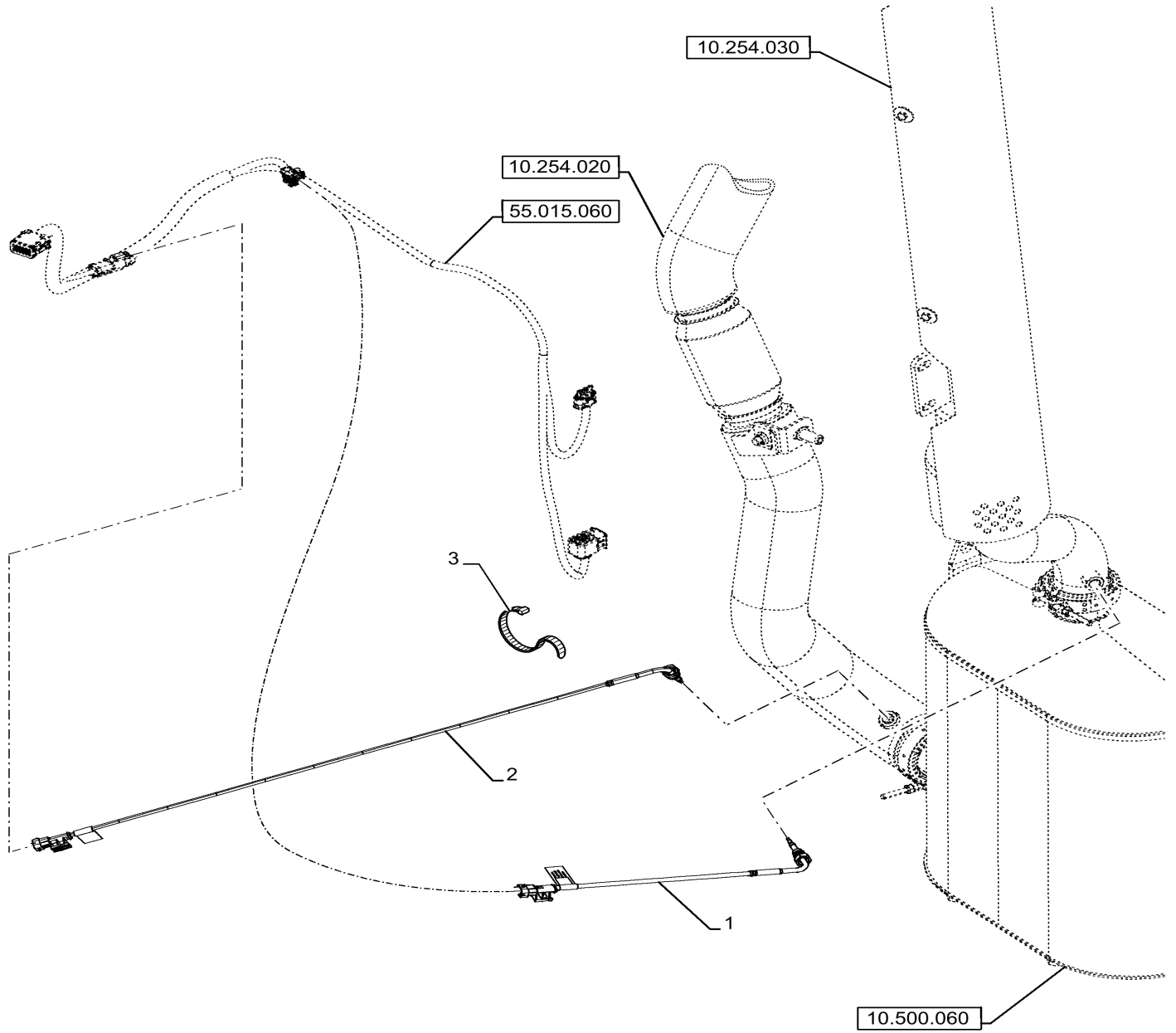


Figure is Valid with STD Equipment

82.300.110

p1

8/2020

VAR - 747863 - 4-IN-1 BUCKET, 82INCH/2083MM

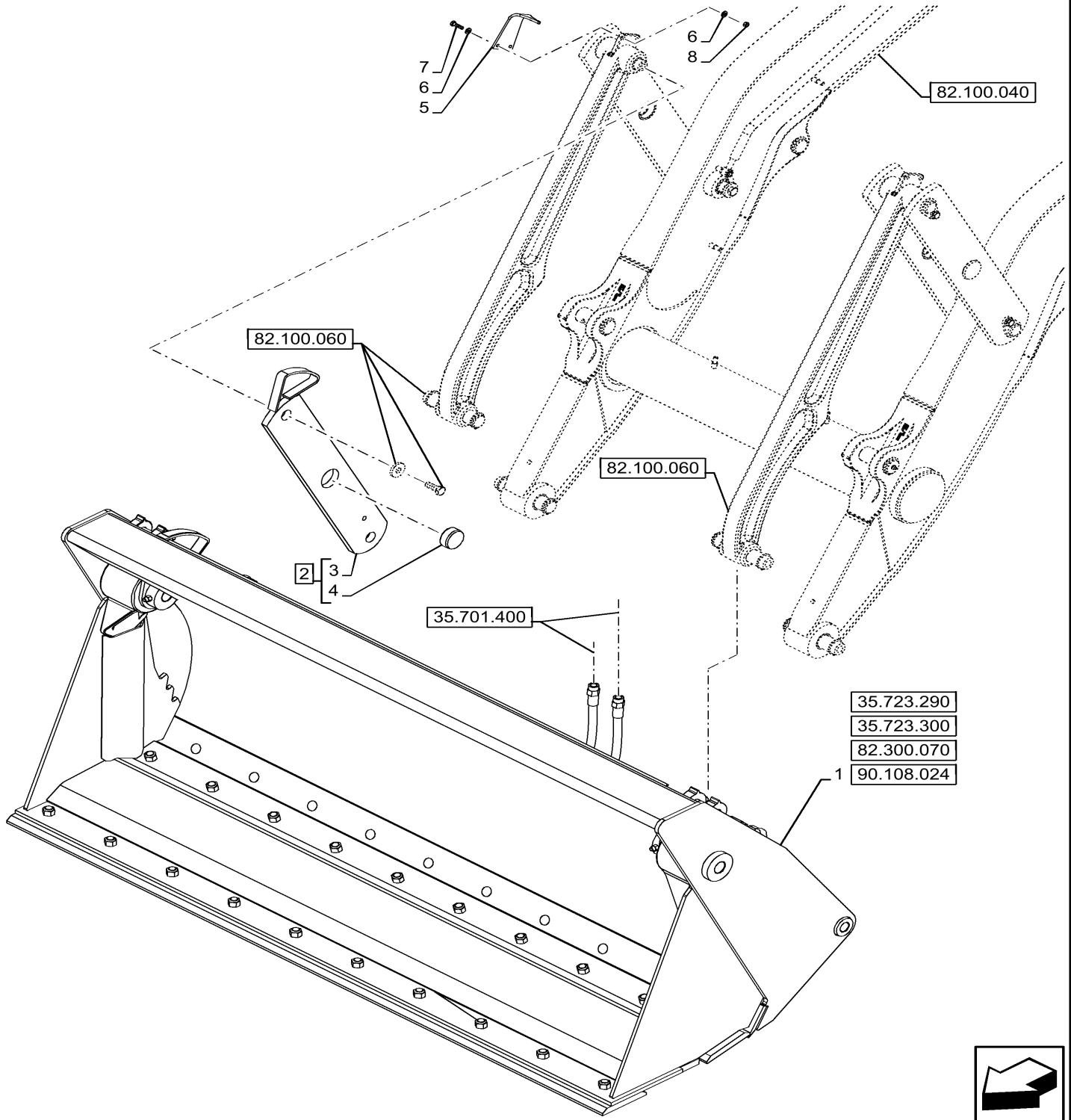


Figure is Valid with Commercial Var. 747863

VAR - 442017 - BACKHOE BUCKET, HYDRAULIC COUPLER

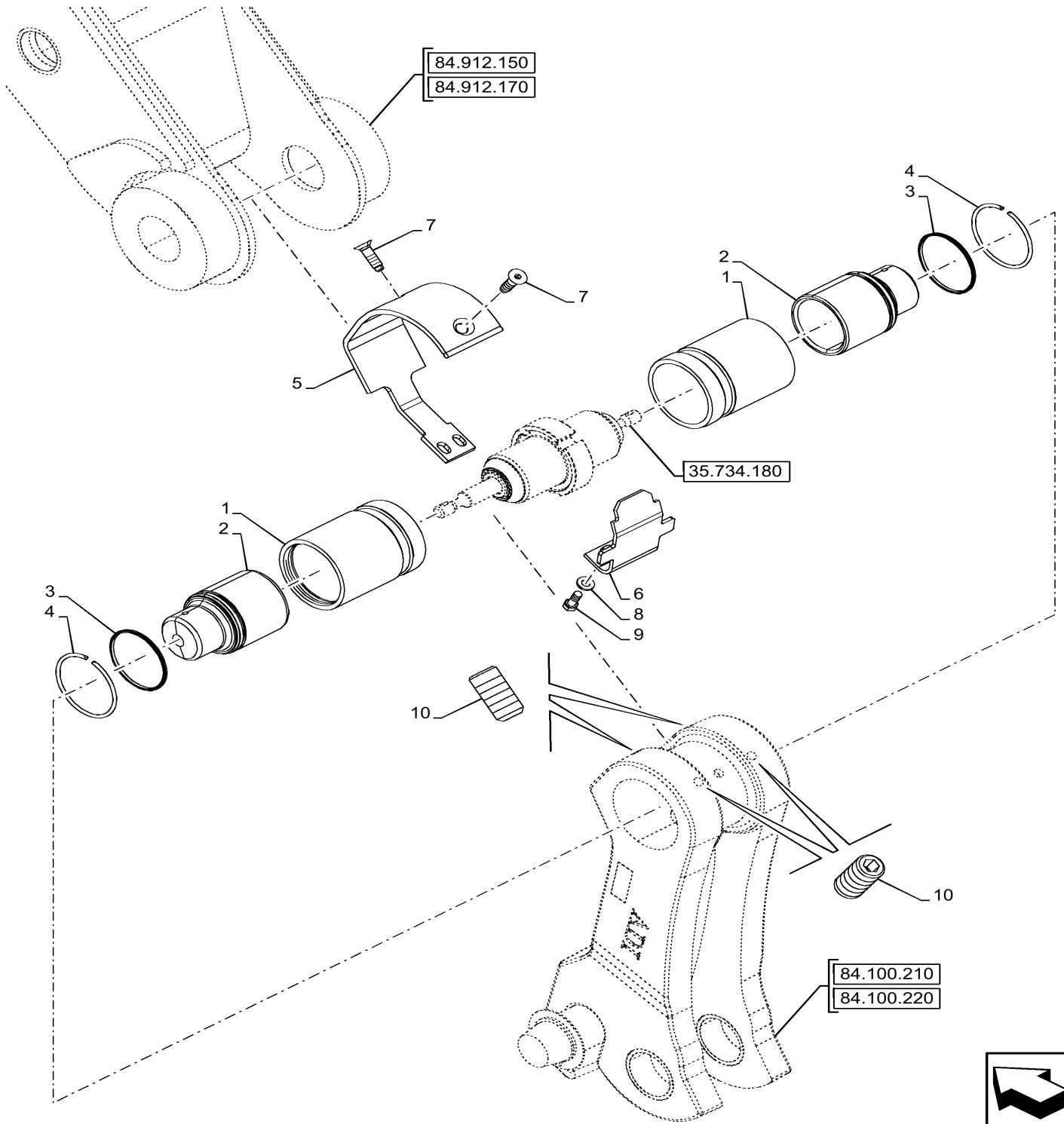
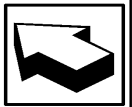


Figure is Valid with Commercial Var. 442017



84.912.050

p1

8/2020

VAR - 423076 - EXTENDABLE DIPPER, FIXED, ARM

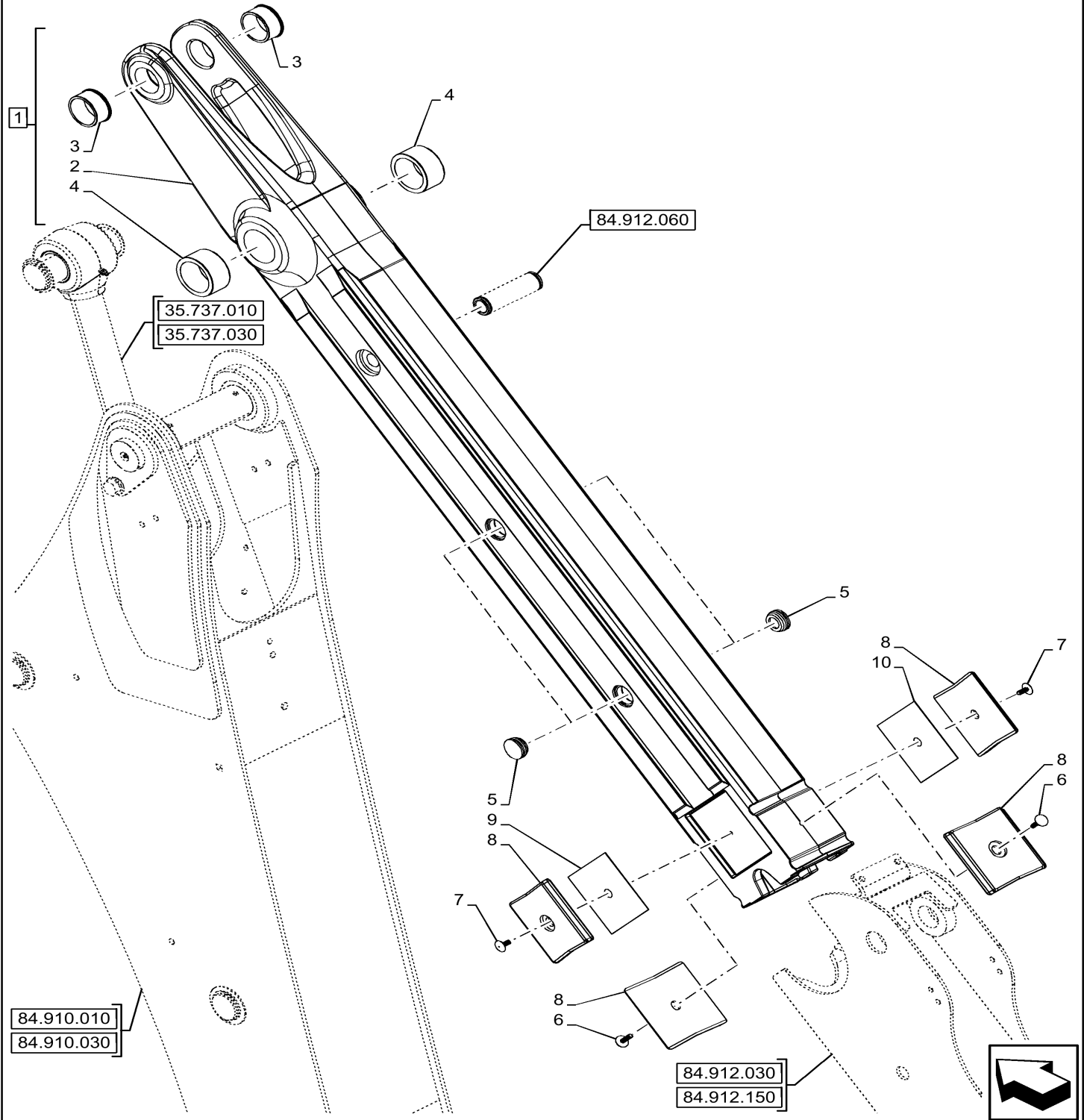


Figure is Valid with Commercial Var. 423076

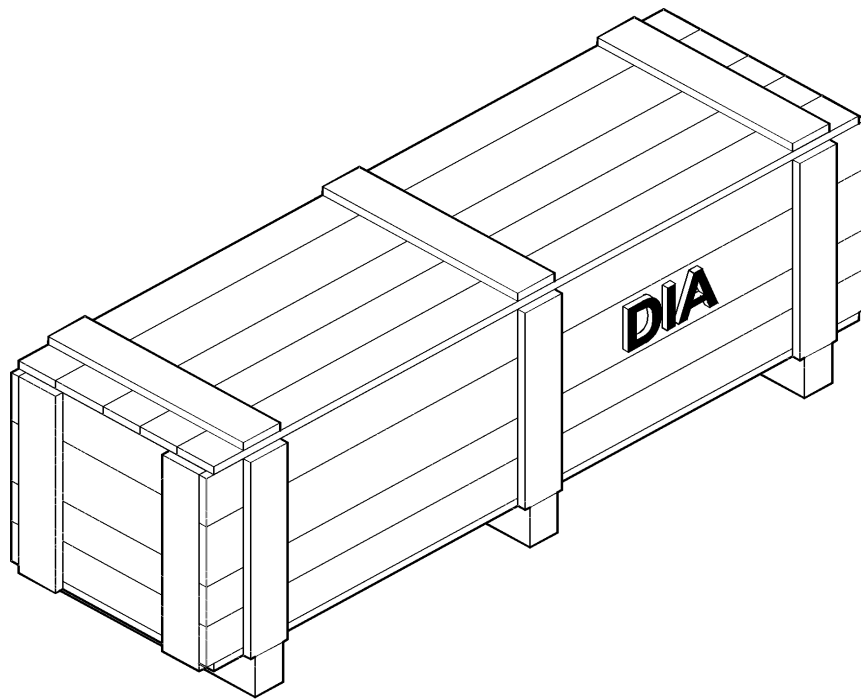
88.100.21

00

p1

8/2020

DIA KIT, TRANSMISSION



SECTION INDEX

PLATFORM, CAB, BODYWORK AND DECALS

90.000.00	01	SECTION INDEX - PLATFORM, CAB, BODYWORK & DECALS
90.000.00	02	SECTION INDEX - PLATFORM, CAB, BODYWORK & DECALS
90.000.00	03	SECTION INDEX - PLATFORM, CAB, BODYWORK & DECALS
90.000.00	04	SECTION INDEX - PLATFORM, CAB, BODYWORK & DECALS
90.000.00	05	SECTION INDEX - PLATFORM, CAB, BODYWORK & DECALS
90.100.010		ENGINE, HOOD, SUPPORT
90.100.030		ENGINE HOOD
90.100.040		ENGINE HOOD, PIVOT
90.100.050		ENGINE HOOD, SIDE PANEL
90.100.060		ENGINE HOOD, GRILLE
90.100.070		VAR - 747665 - ENGINE HOOD, GRILLE
90.102.010		ENGINE HOOD, GAS STRUT
90.105.010		VAR - 747853, 747854, 747855 - CAB, BULKHEAD, INSULATING PANEL
90.105.030		VAR - 747853, 747854, 747855 - CAB, FLOOR, INSULATION
90.105.040		REAR CONSOLE, FOAM INSULATION, W/O ROPS, W/O PILOT CONTROL
90.105.050		CANOPY, FLOOR, FOAM INSULATION, W/ PILOT CONTROLS
90.108.010		DECAL, FUSE BOX, ENGINE, HARNESS
90.108.011		DECAL, FUSE BOX, ENGINE
90.108.012		DECAL, HYDRAULIC OIL RESERVOIR
90.108.014		VAR - 423078, 747669 - WARNING DECAL, PILOT CONTROLS
90.108.015		VAR - 423000, 442082, 747882, 747883 - CANOPY, WARNING DECAL
90.108.016		WARNING DECAL, MECHANICAL, CONTROLS
90.108.017		VAR - 747853, 747854, 747855 - CAB, WARNING DECAL
90.108.018		VAR - 423080 - WARNING DECAL, MECHANICAL, CONTROLS
90.108.019		VAR - 742369 - WARNING DECAL
90.108.021		WARNING DECAL, PILOT CONTROLS
90.108.022		WARNING DECAL
90.108.023		VAR - 742433, 747863 - 4-IN-1 BUCKET, WARNING DECAL
90.108.024		VAR - 747863 - 4-IN-1 BUCKET, WARNING DECAL
90.108.025		VAR - 423056, 742369, 747882, 747883 - WARNING DECAL, MECHANICAL, CONTROLS
90.108.027		WARNING DECAL, PILOT CONTROLS, W/ HEAVY LIFT, W/ AUTO-UP
90.108.028		2-SPOOL CONTROL VALVE, DECAL
90.108.029		VAR - 423049 - QUICK COUPLER, COMPONENTS, WARNING DECAL

90.100.050

p1

8/2020

ENGINE HOOD, SIDE PANEL

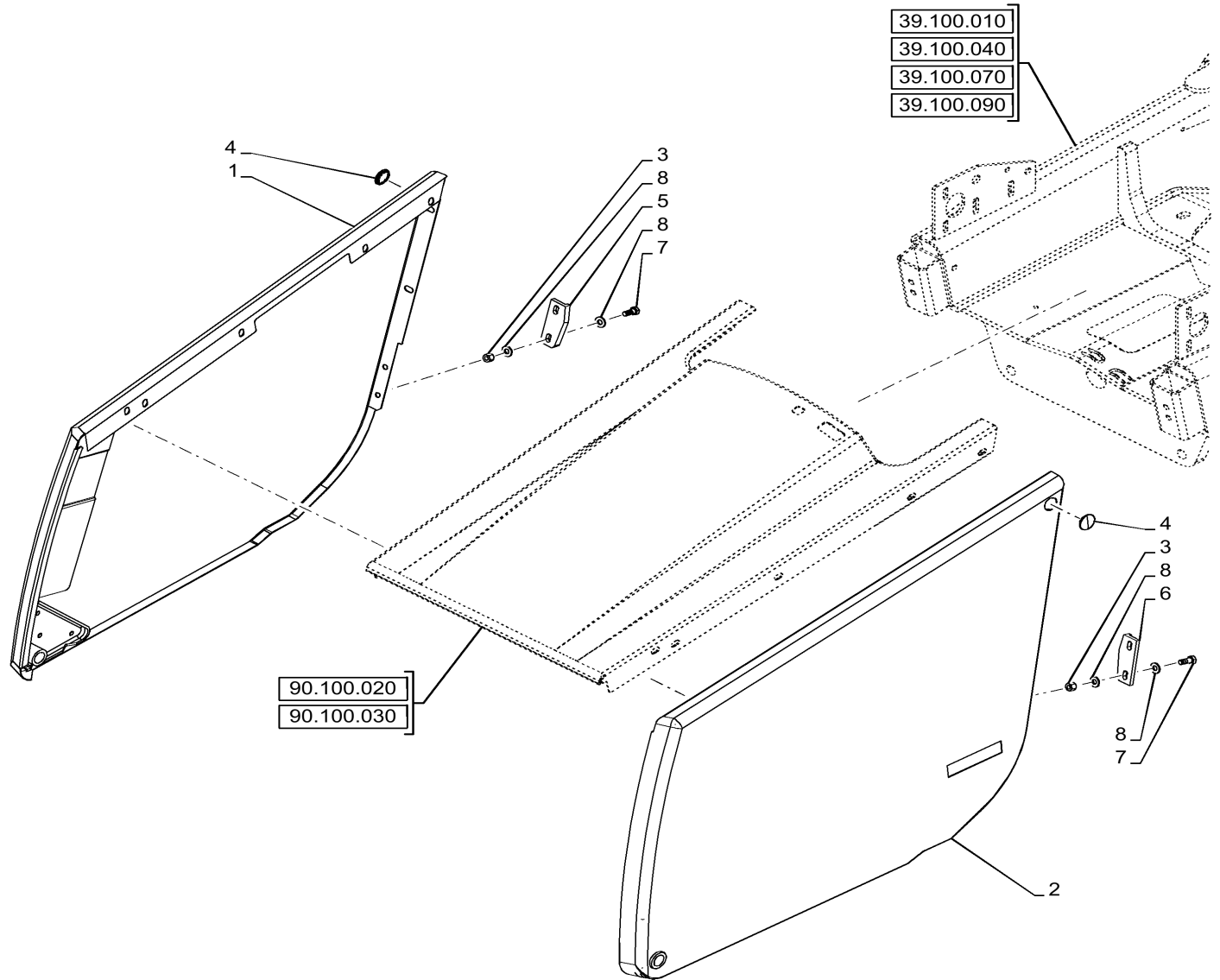
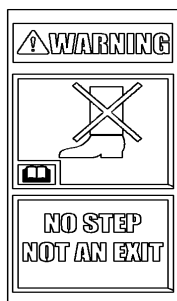


Figure is Valid with STD Equipment

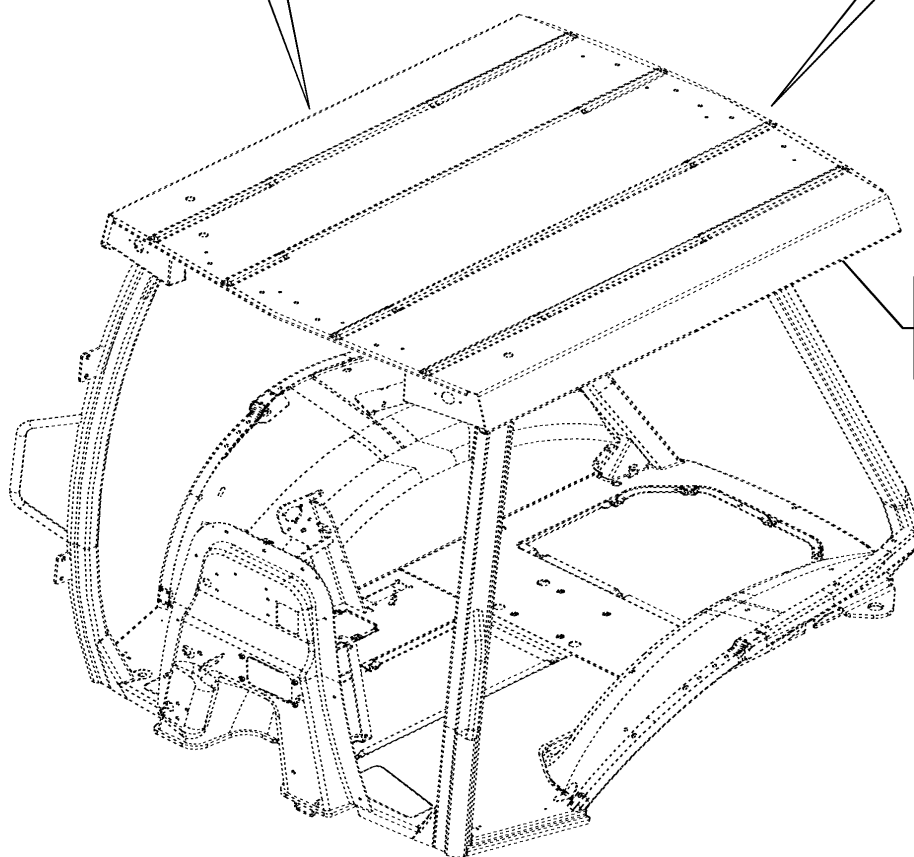
VAR - 423000, 442082, 747882, 747883 - CANOPY, WARNING DECAL



2



1

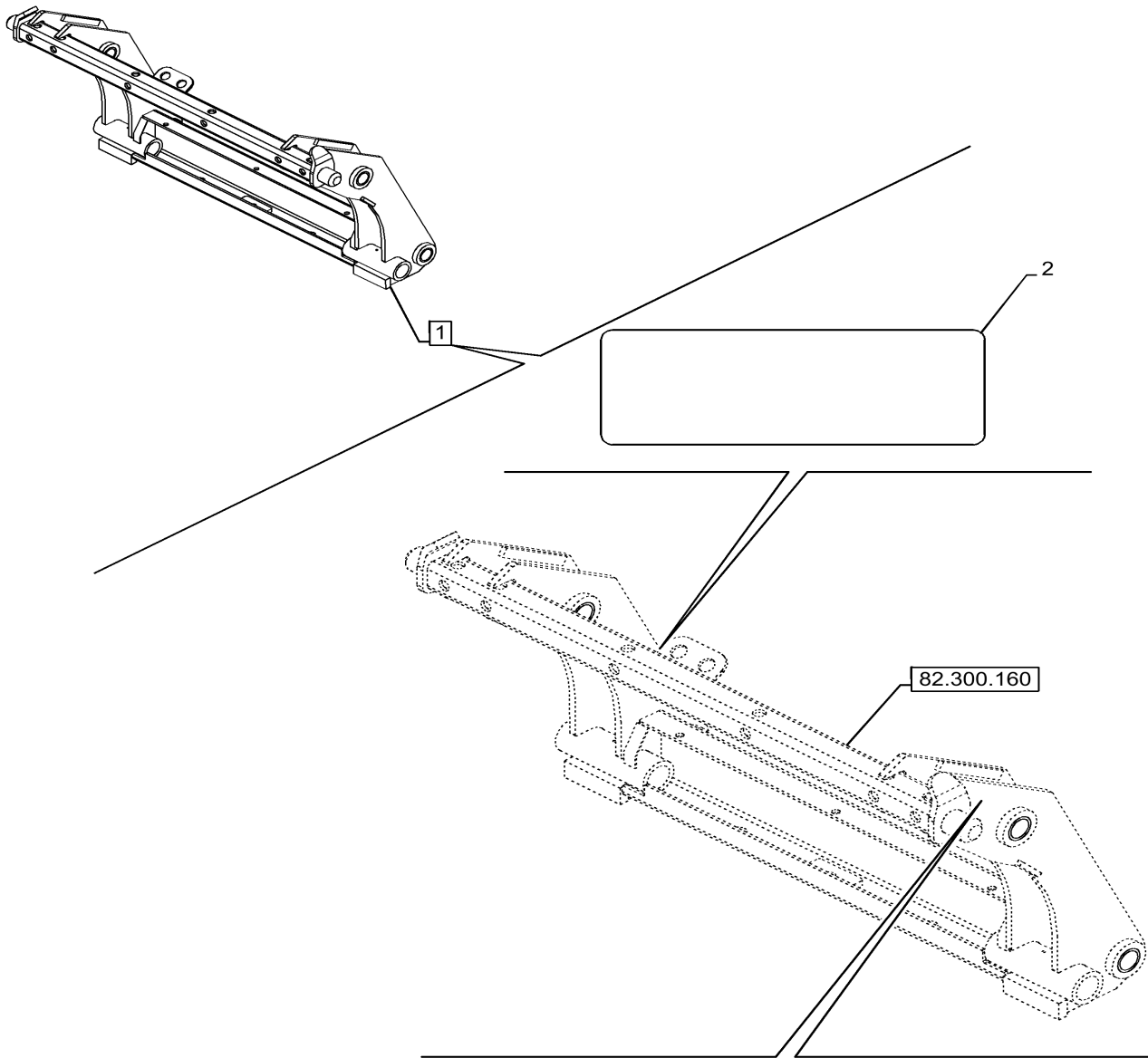


- 90.114.010
- 90.114.020
- 90.114.030

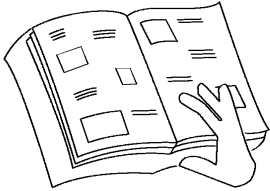


Figure is Valid with Commercial Var. 423000 or Var. 442082 or Var. 747882 or Var. 747883

VAR - 423049 - QUICK COUPLER, COMPONENTS, WARNING DECAL



2



⚠ WARNING

Failure to read and understand operator's manual and all safety signs could result in death or serious injury. Manual must remain with machine.



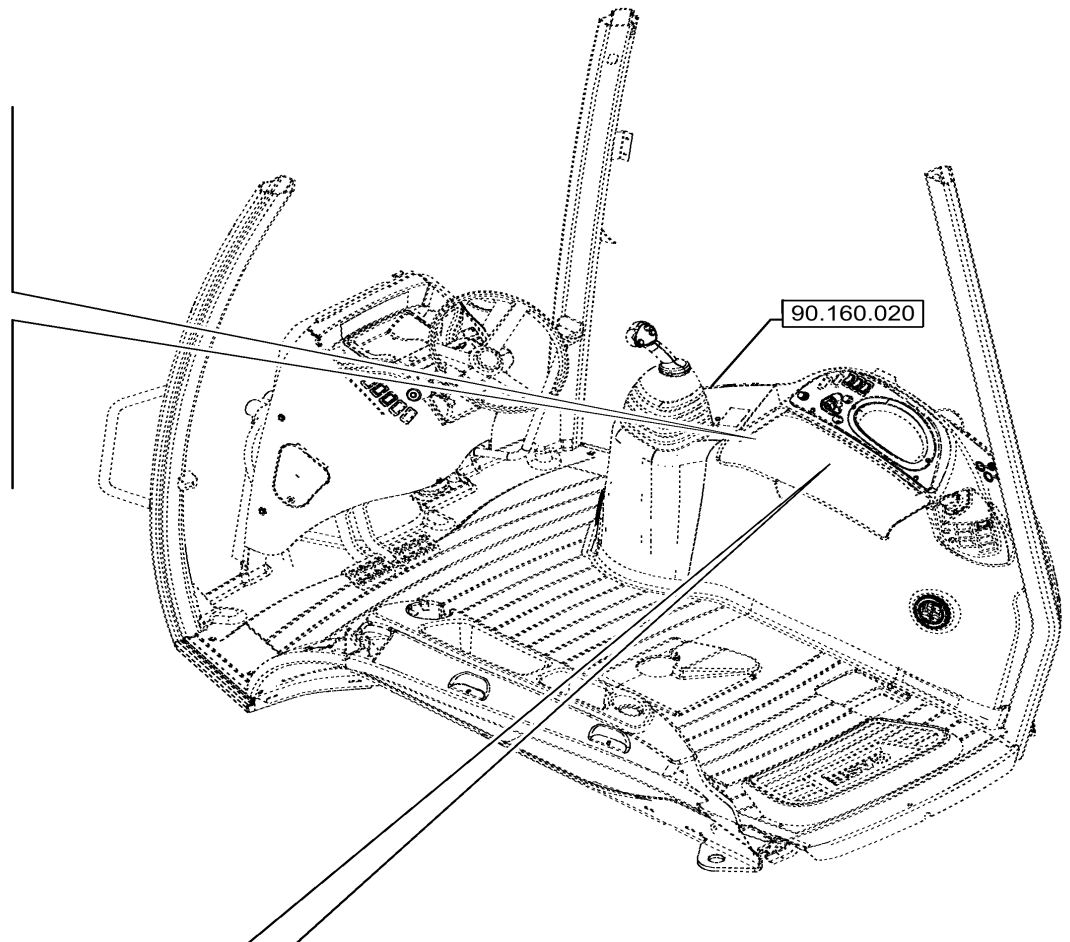
Figure is Valid with Commercial Var. 423049

WARNING DECAL

PARKING BRAKE

Always set parking brake before leaving seat. After startup, cycle park brake switch ON/OFF to release parking brake.

1

**IMPORTANT**

- Operators manual in box underneath this cover Do not remove. Before operating, read all operators manual(s), safety and instructional signs on this machine.
- It is your responsibility to follow all laws and regulations and to follow all instructions in the operators manual
- See your local dealer for additional operators manuals, parts manuals and service manuals.

2



Figure is Valid with STD Equipment

90.108.135

p1

8/2020

VAR - 423060, 423061 - DECAL, SEMI-POWERSHIFT, TRANSMISSION, FUSE, RELAY

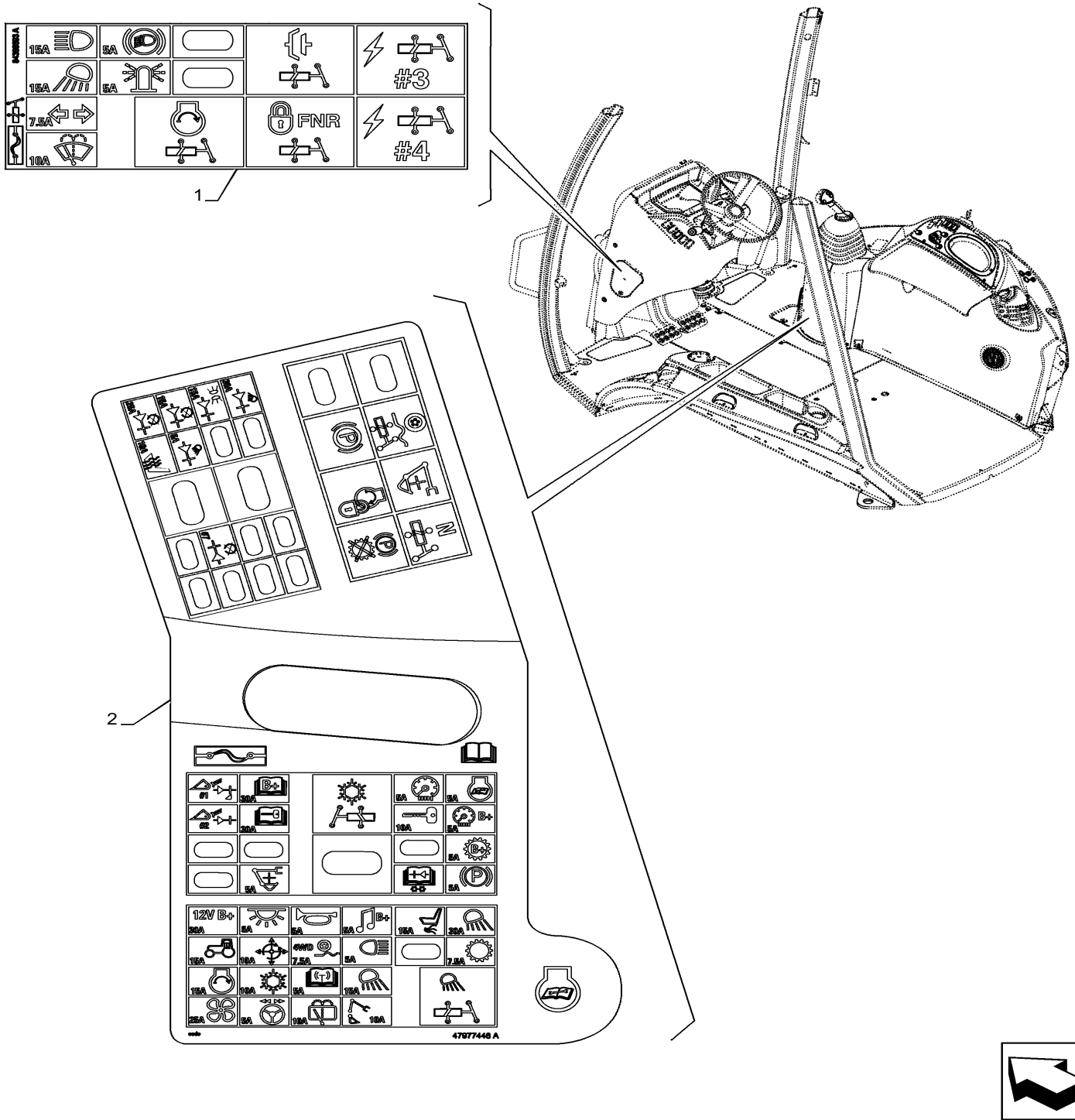


Figure is Valid with Commercial Var. 423060 or Var. 423061

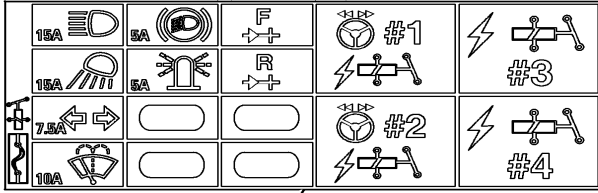


90.108.195

p1

8/2020

VAR - 423062 - DECAL, TRANSMISSION, POWERSHIFT, FUSE, RELAY, 4WD



1

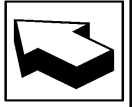
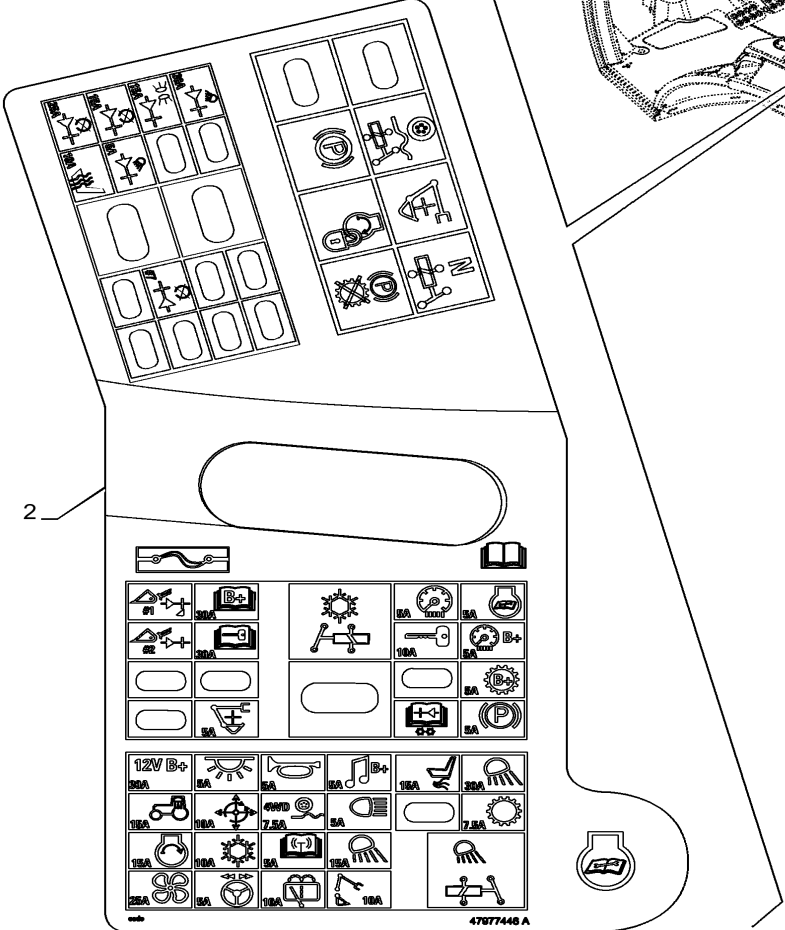
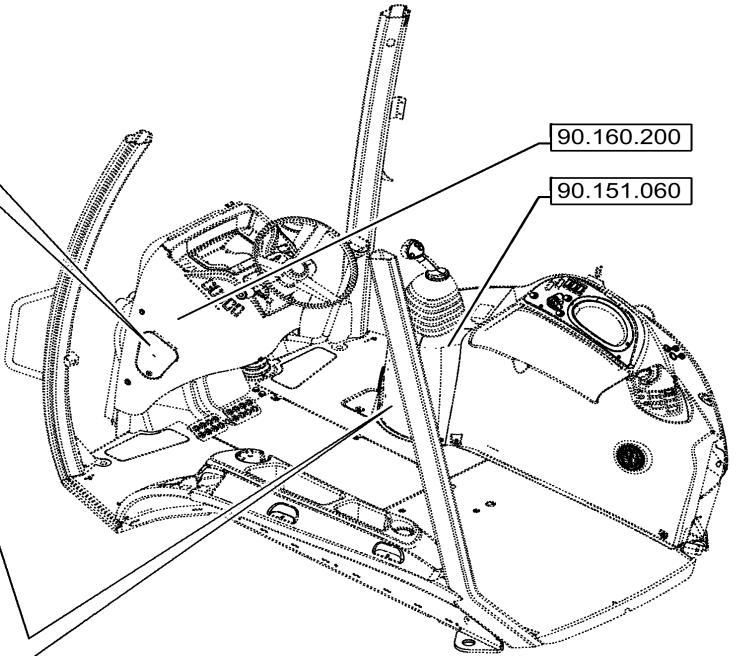


Figure is Valid with Commercial Var. 423062

90.108.280

p1

8/2020

VAR - 747882, 747883 - WARNING DECAL

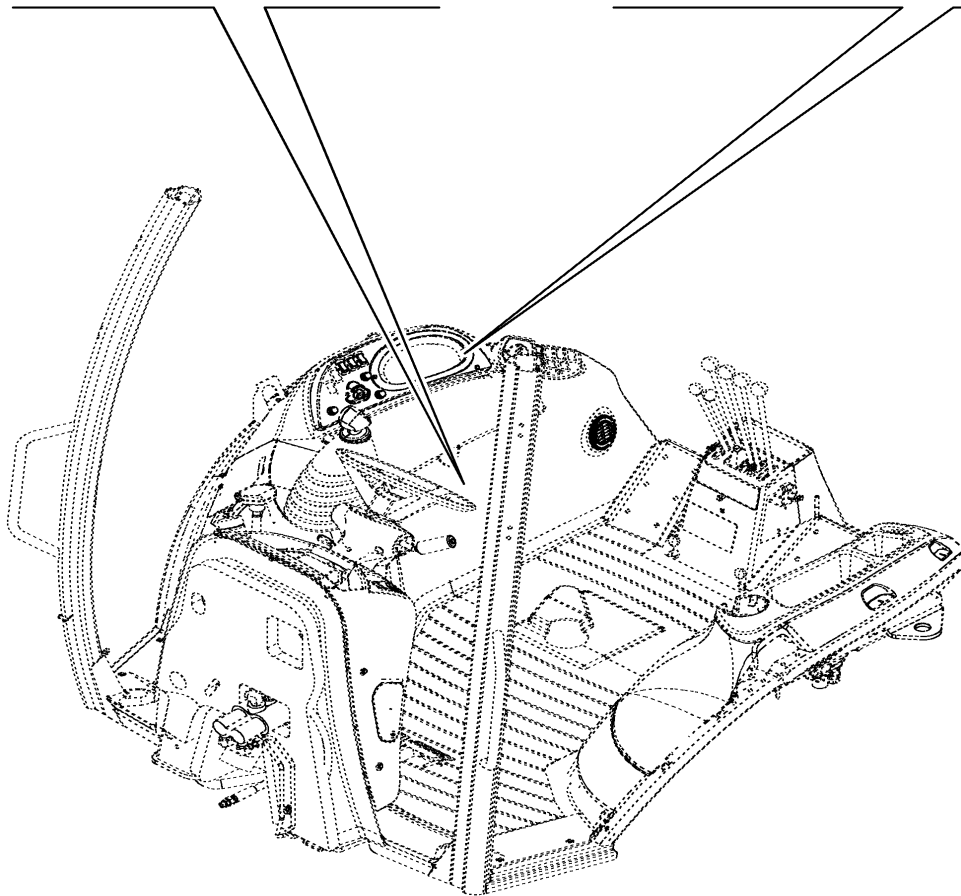
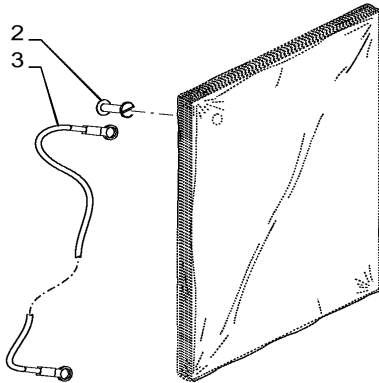


Figure is Valid with Commercial Var. 747882 or Var. 747883

VAR - 423080 - DECAL, DIAGNOSTIC COUPLER

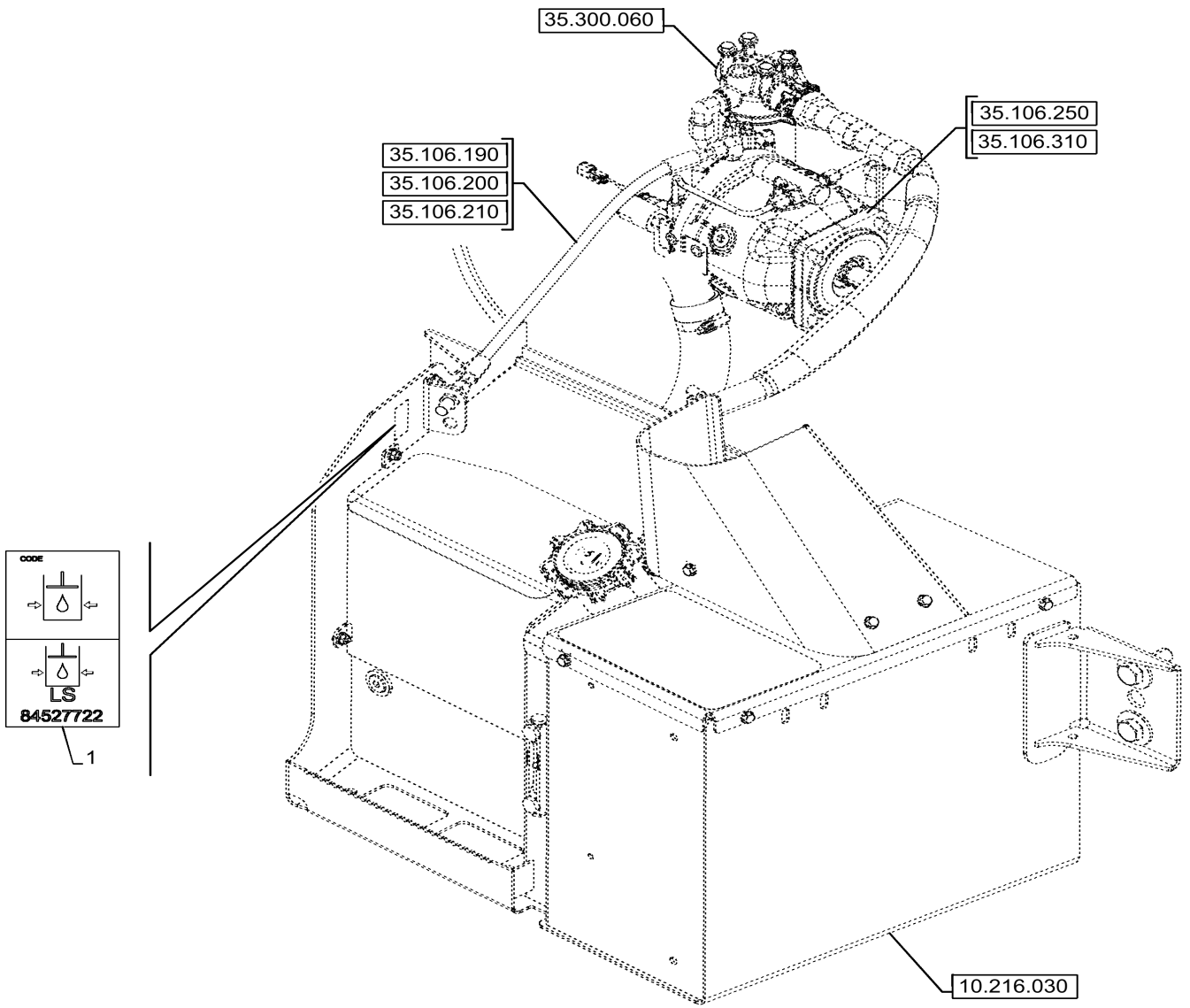


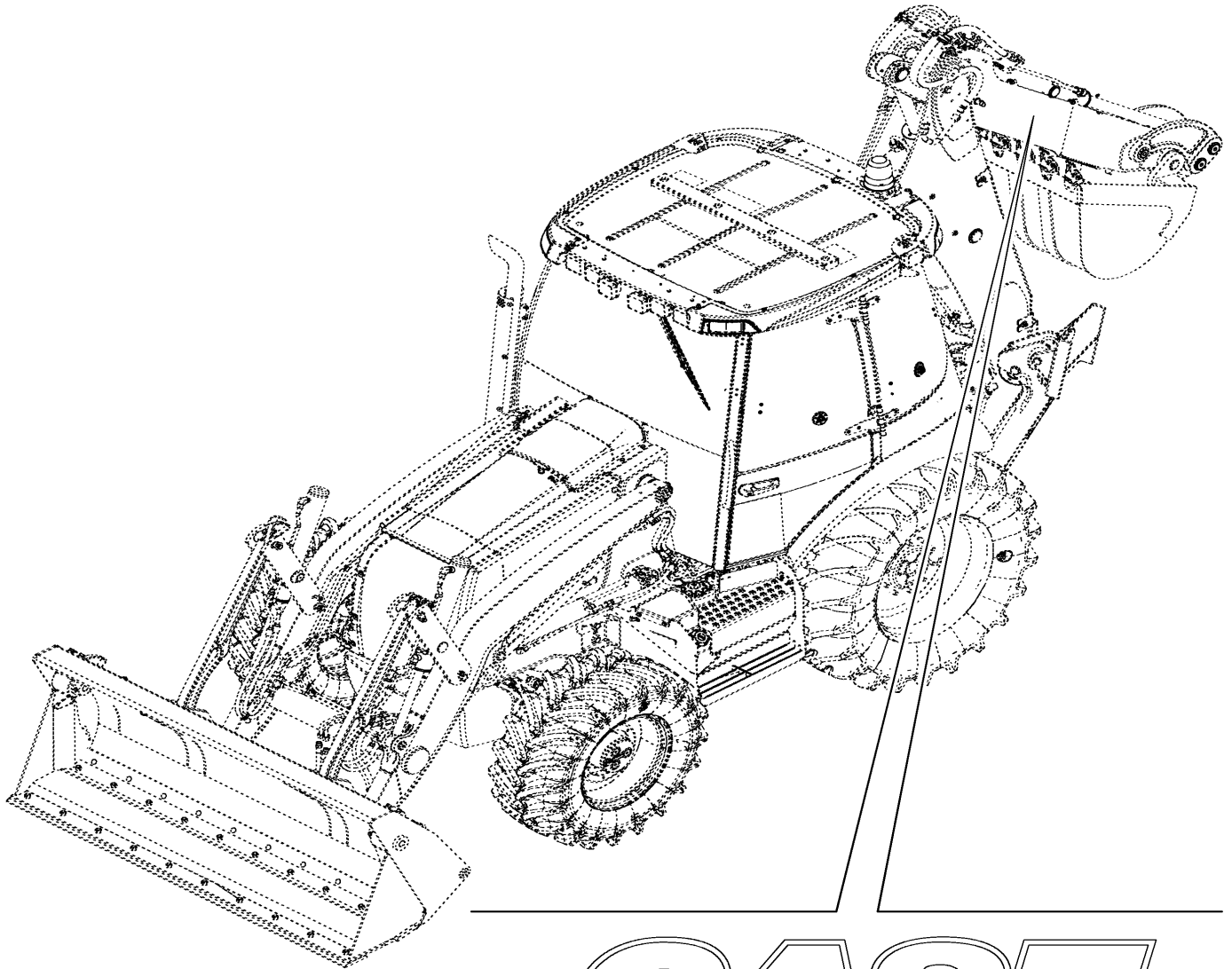
Figure is Valid with Commercial Var. 423080

90.108.890

p1

8/2020

VAR - 423076 - MODEL IDENTIFICATION DECAL



CASE

EXTENDABLE

1
2



Figure is Valid with Commercial Var. 423076

90.110.180

p1

8/2020

VAR - 442082 - CANOPY, PAD, ANTI-SKID STRIP

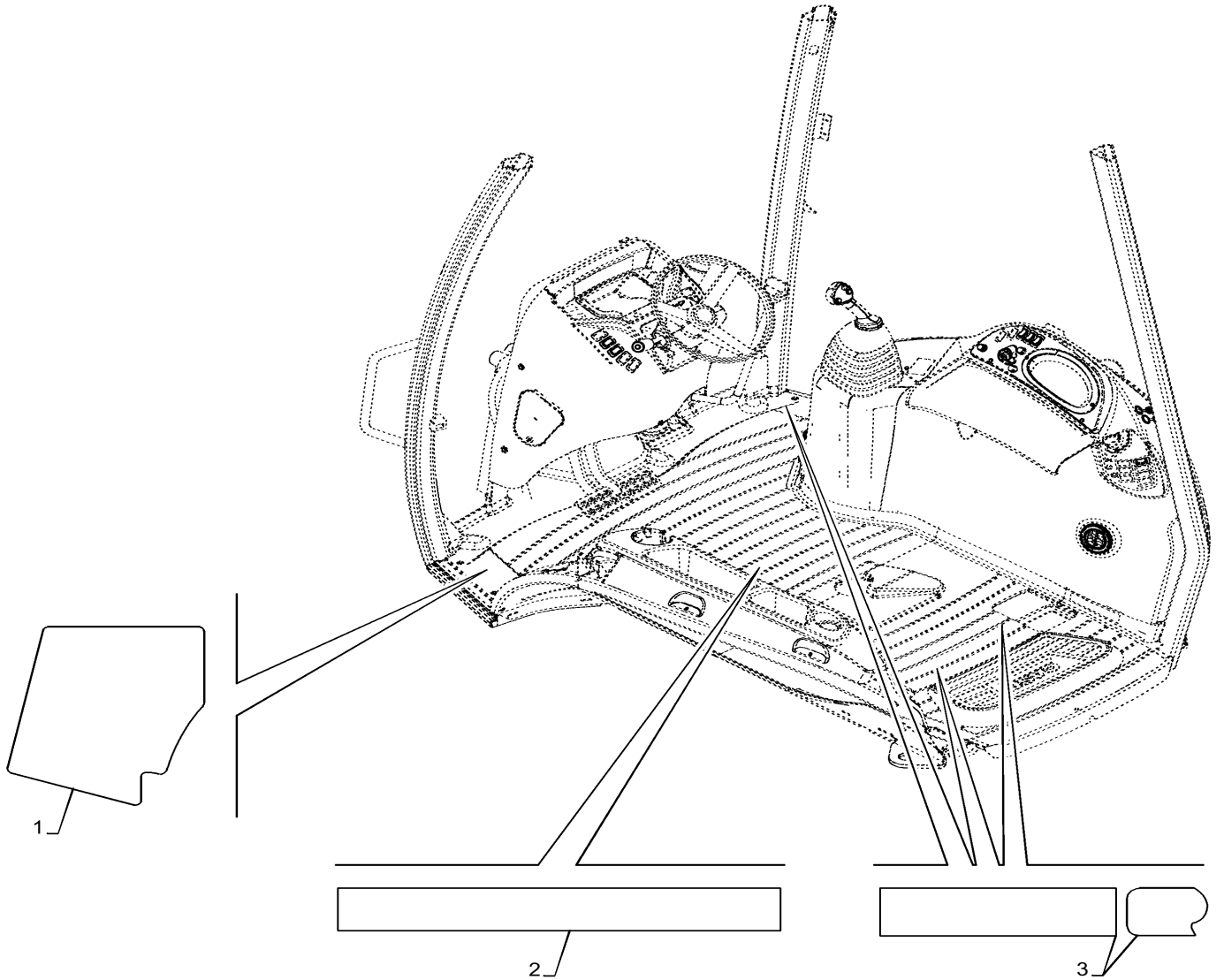


Figure is Valid with Commercial Var. 442082

90.120.060

p1

8/2020

VAR - 747851 - SEAT, MECHANICAL SUSPENSION, VYNIL, SUSPENSION, BELLOWS, PEDESTAL, COMPONENTS

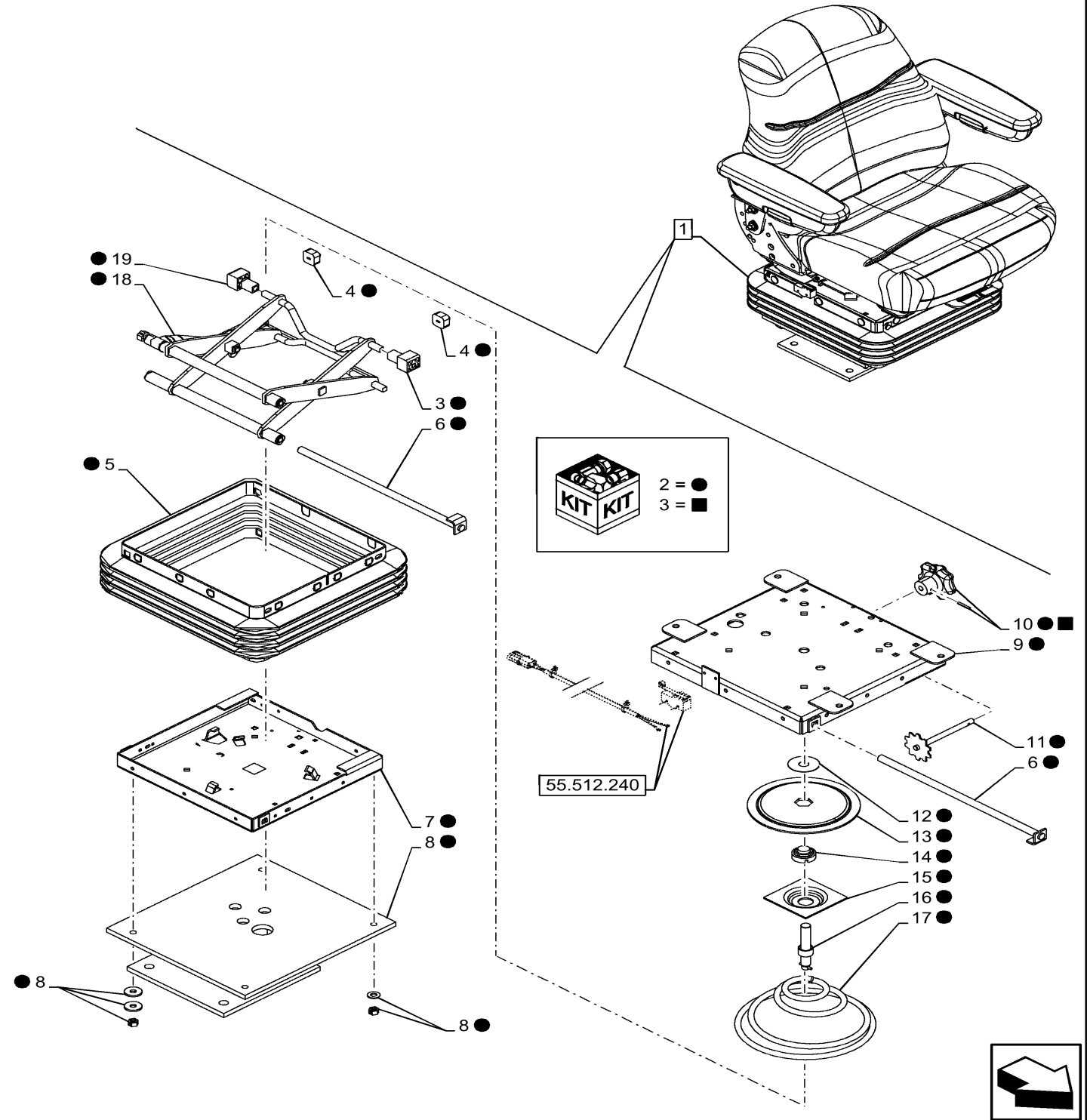


Figure is Valid with Commercial Var. 747851

90.124.080

p1

8/2020

VAR - 745160 - SEAT, AIR SUSPENSION, W/ HEATED CUSHIONS, VYNIL, DELUXE, SWIVEL PIVOT, COMPONENTS

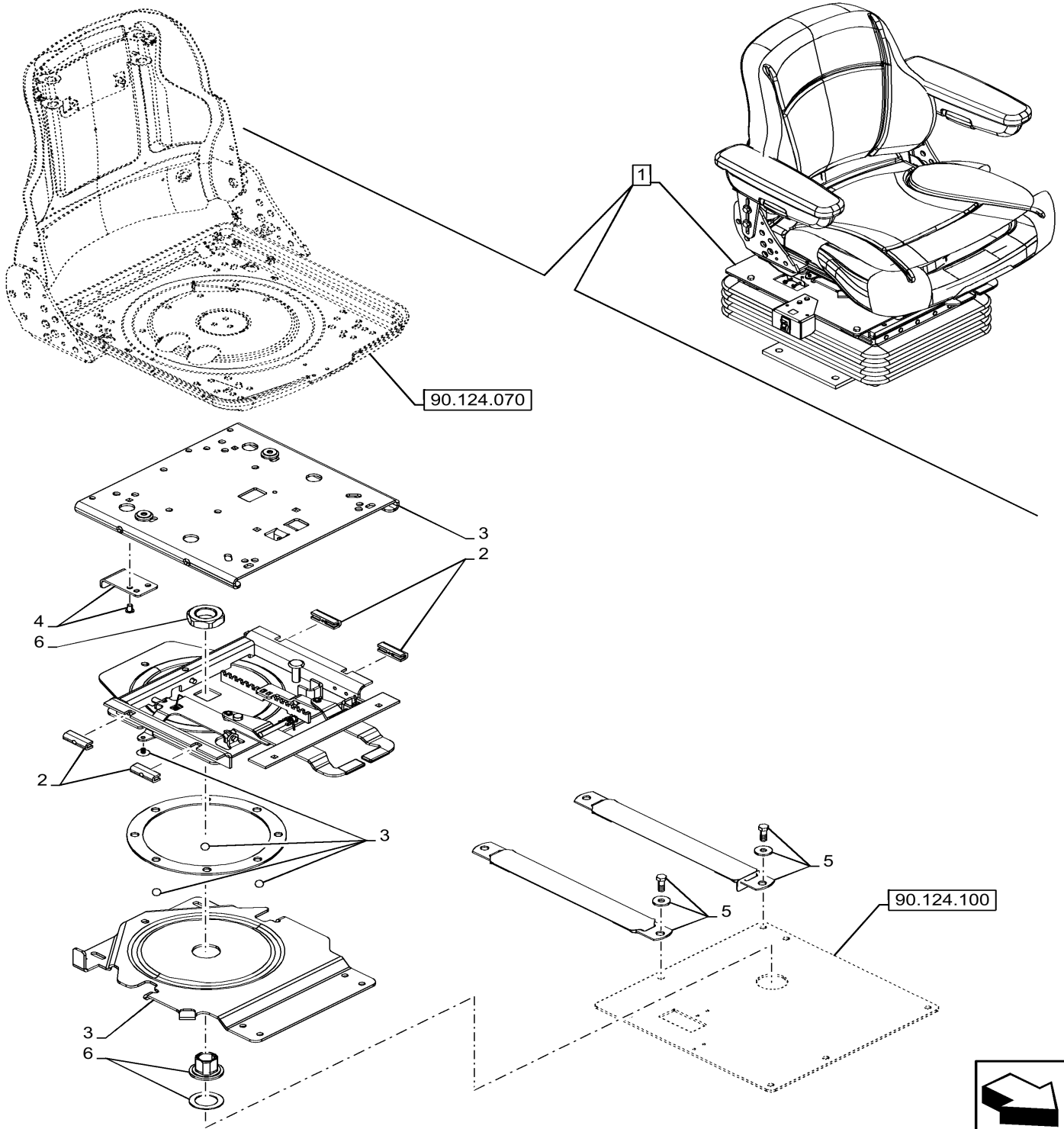


Figure is Valid with Commercial Var. 745160



90.150.100

p1

8/2020

CAB, MECHANICAL, CONTROLS, FLOOR STAND

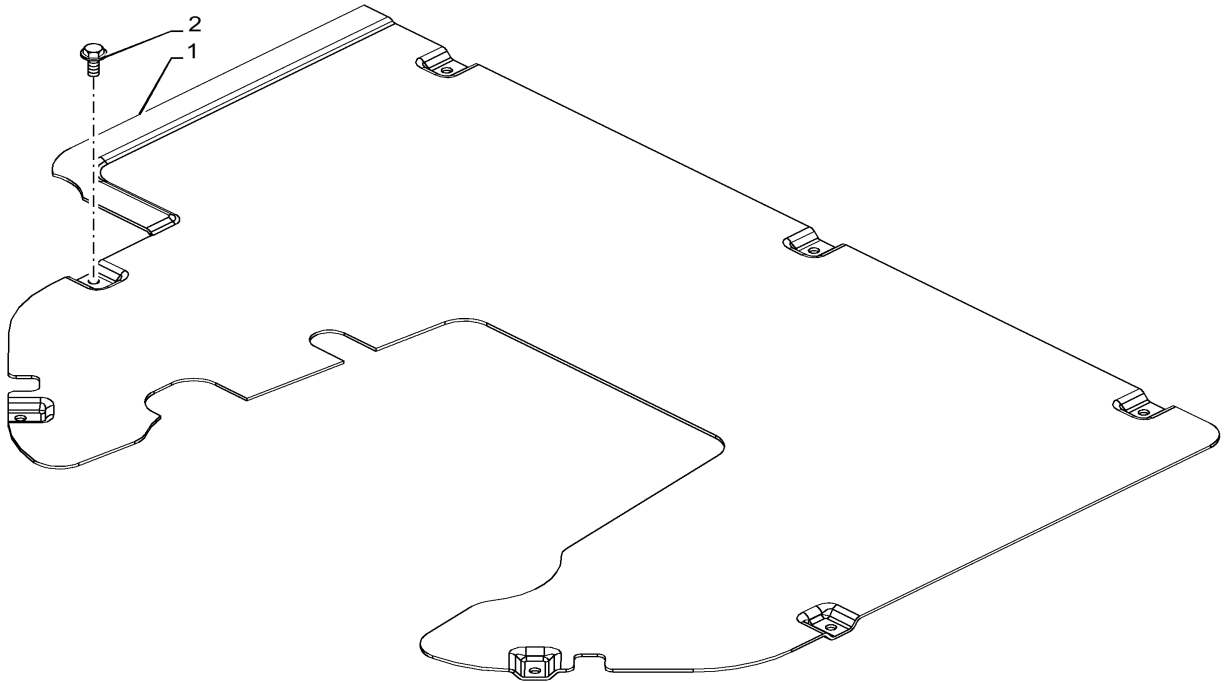
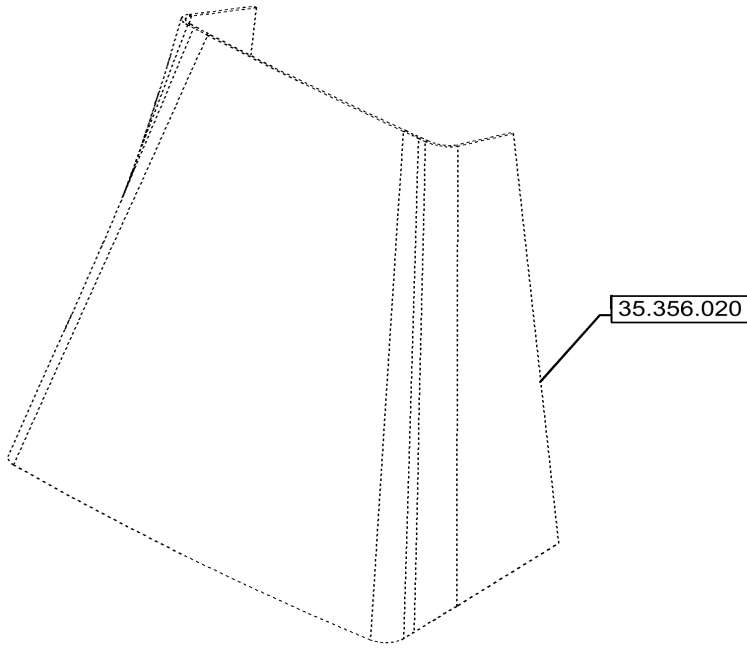


Figure is Valid with STD Equipment

90.154.060

p1

8/2020

VAR - 747853 - CAB, RIGHT, DOOR, LATCH, FRAME

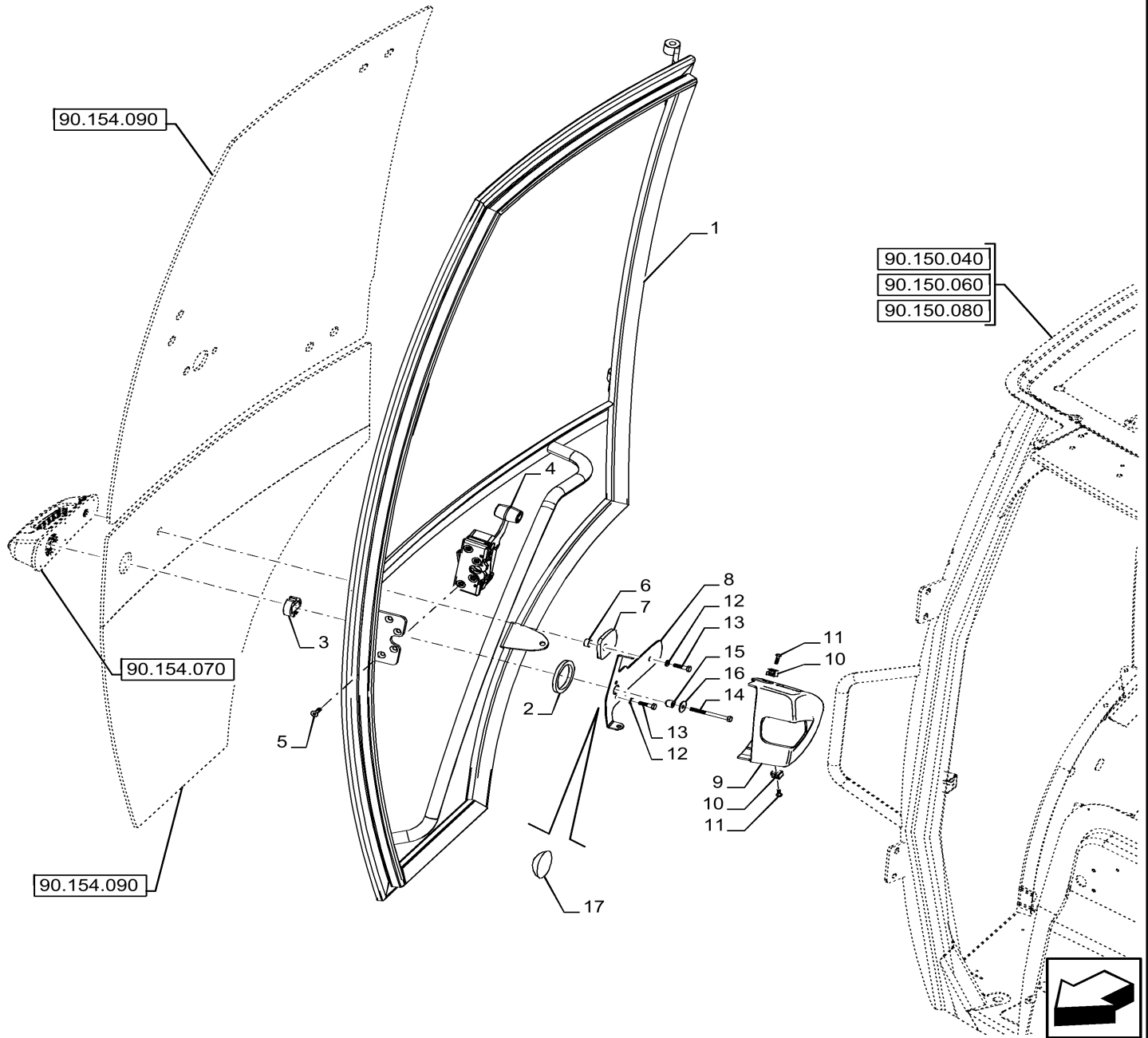


Figure is Valid with Commercial Var. 747853

90.156.080

p1

8/2020

VAR - 747853, 747854, 747855 - CAB, LEFT, LATERAL WINDOW, HANDLE, LATCH

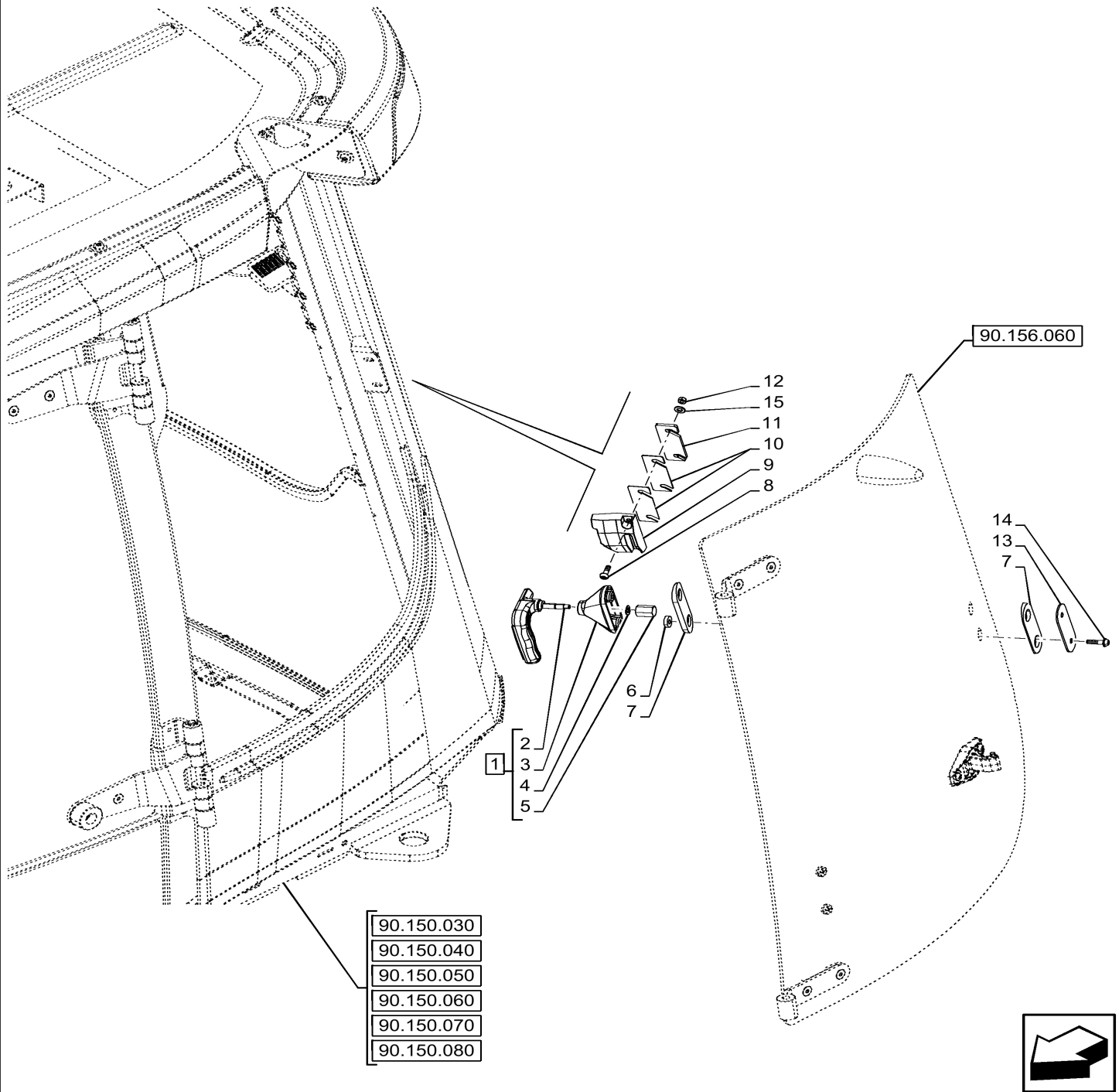


Figure is Valid with Commercial Var. 747853 or Var. 747854 or Var. 747855

90.160.080

p1

8/2020

CAB INTERIOR TRIM, LEFT SIDE, INTERNAL, PANEL

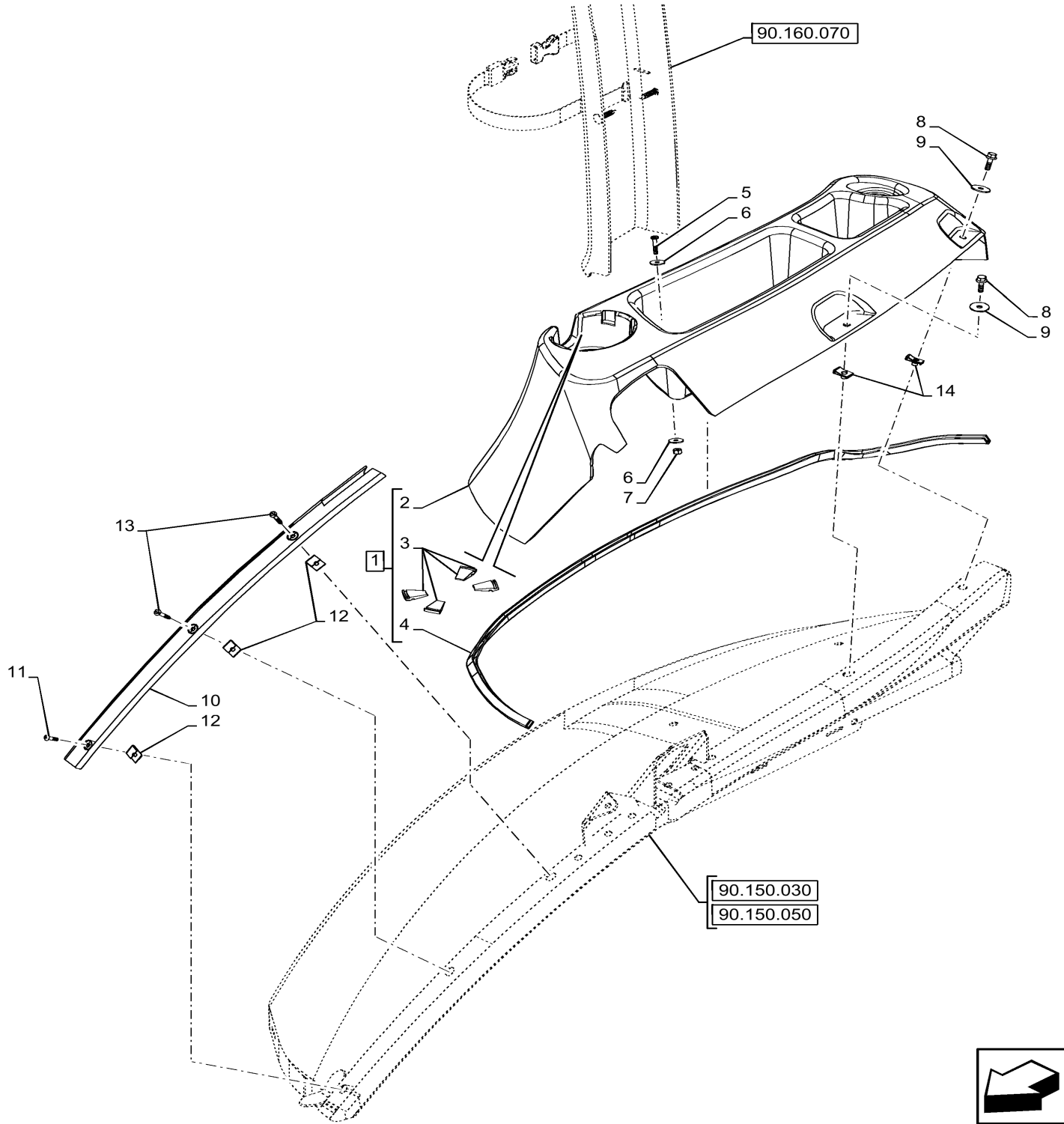


Figure is Valid with STD Equipment

INDEX - INDICE - INDEX - ZAHLENVERZEICHNIS - INDICE - INDICE - INDHOLD - INHOUD

Number	Figure	Sequence	Ref.	Number	Figure	Sequence	Ref.
-	05.100.032		1	10395890	05.100.02		43
-	05.100.032		10	10401190	05.100.02		47
-	05.100.032		11	10402190	05.100.02		48
-	05.100.032		12	104824A1	82.100.060		12
-	05.100.032		2	10589621	35.106.320		5
-	05.100.032		3	10589621	35.106.340	01	5
-	05.100.032		4	106989A1	35.355.010		24
-	05.100.032		5	106990A1	35.355.010		25
-	05.100.032		6	10717624	25.108.200		12
-	05.100.032		7	10726611	41.106.040		4
-	05.100.032		8	108088A1	35.724.060		8
-	05.100.032		9	108088A1	35.724.070		8
100-21315	35.739.040		5	108864A1	35.355.010		30
100-2150	35.739.080		24	108923A1	35.355.010		3
100-2150	35.739.110		24	108924A1	35.355.010		4
100016	35.525.090		10	10903721	35.359.350		4
100016	35.525.160		10	10903721	35.359.355		4
100016	55.201.040		3	109268A1	82.100.040		3
100016	84.912.020		4	109879A1	90.100.010		3
100557A1	21.111.080		21	109879A1	90.100.030		5
100557A1	21.112.060		13	11106231	35.525.220		16
100557A1	21.113.040		19	11116431	90.116.030		11
100557A1	27.100.040		6	112370A4	35.739.040		17
100696A1	82.100.050		20	11244634	41.216.040		9
100748A1	21.103.030		4	112517A1	21.152.110		9
100748A1	21.104.040		6	112517A1	21.154.130		9
100748A1	21.105.020		6	112884A1	90.120.060		6
100748A1	21.155.060		3	112884A1	90.120.100		6
100753A1	21.152.110		19	113457A1	82.300.020		6
100753A1	21.154.130		19	114318A1	35.739.030		10
100760A1	55.024.100		14	114318A1	39.100.040		5
100760A1	55.031.100		3	114549A1	90.160.070		11
101479A1	35.738.320		21	114549A1	90.160.100		3
101479A1	35.738.360	01	21	114882A2	41.101.060		4
101479A1	35.738.360	02	21	114882A2	41.101.070		4
102-12125	35.734.190		19	114980A1	90.102.010		1
102-23150	35.734.190		21	117359A1	35.736.040		7
102761A1	35.724.060		11	120041	10.216.030		6
102761A1	35.724.070		11	120062	35.525.090		4
102765A1	35.355.010		23	120062	35.525.160		4
103-11100	35.357.020		12	120062	35.701.270		3
103-1475	35.726.010		8	120062	35.701.280		3
103-1518	55.525.020		13	120062	35.701.310		3
103-16175	39.100.050		1	120062	35.701.330		3
103-16200	84.114.020		18	120069	27.100.090		10
103-3350	82.100.050		4	120070	35.726.060		19

INDEX - INDICE - INDEX - ZAHLENVERZEICHNIS - INDICE - INDICE - INDHOLD - INHOUD

Number	Figure	Sequence Ref.	Number	Figure	Sequence Ref.
47537934	35.359.520	23	47546968	35.701.290	2
47537934	35.359.530	23	47546968	35.701.300	2
47537934	35.359.540	5	47546968	35.701.320	2
47537934	35.359.550	5	47547382	55.302.010	3
47537934	35.359.560	5	47547382	55.302.040	5
47537934	35.359.570	5	47551317	10.216.040	8
47537935	35.359.500	18	47553368	55.100.070	9
47537935	35.359.510	18	47553368	55.100.090	9
47537935	35.359.520	18	47556717	35.300.020	2
47537935	35.359.530	18	47559839	25.100.010	1
47537935	35.359.540	18	47559839	25.100.020	1
47537935	35.359.550	18	47559839	25.100.030	1
47537935	35.359.560	18	47559839	25.102.010	1
47537935	35.359.570	18	47559839	25.102.020	1
47538041	10.254.030	1	47559839	25.108.010	1
47538073	35.359.500	17	47559839	25.108.020	1
47538073	35.359.510	17	47559839	25.108.030	1
47538073	35.359.520	17	47559839	25.108.040	1
47538073	35.359.530	17	47559839	25.310.010	1
47538073	35.359.540	17	47559839	41.106.040	1
47538073	35.359.550	17	47559839	41.216.040	1
47538073	35.359.560	17	47564006	10.400.020	3
47538073	35.359.570	17	47565514	10.400.050	16
47538074	35.359.500	24	47565552	35.723.290	2
47538074	35.359.510	24	47568130	25.108.020	15
47538074	35.359.540	24	47568130	25.108.030	15
47538074	35.359.550	24	47569289	05.100.02	65
47538075	35.359.500	23	47570583	25.108.200	2
47538075	35.359.510	23	47570989	55.015.020	2
47538075	35.359.540	23	47575557	55.302.020	1
47538075	35.359.550	23	47575557	55.302.050	1
47538080	35.359.560	24	47575664	55.405.040	6
47538080	35.359.570	24	47575687	41.101.050	1
47538081	35.359.560	23	47579095	90.108.075	1
47538081	35.359.570	23	47581674	55.988.050	1
47538522	90.108.060	2	47582734	55.988.060	1
47538522	90.108.180	1	47582734	55.988.070	1
47538522	90.108.190	1	47584086	90.108.165	1
47540340	10.400.040	13	47584088	90.108.165	1
47541393	55.525.040	1	47585815	88.100.010	3
47541415	55.524.030	1	47589005	10.216.040	2
47541881	55.512.050	1	47589006	10.216.040	3
47545678	10.500.060	10	47589468	35.106.060	01 13
47545682	10.500.060	11	47589468	35.106.060	02 13
47546968	35.701.250	2	47591143	35.723.300	8
47546968	35.701.260	2	47592191	21.103.010	4

CLICK HERE TO **DOWNLOAD** THE COMPLETE MANUAL

- Thank you very much for reading the preview of the manual.
- You can download the complete manual from: www.heydownloads.com by clicking the link below



- Please note: If there is no response to CLICKING the link, please download this PDF first and then click on it.

CLICK HERE TO **DOWNLOAD** THE COMPLETE MANUAL