

All rights reserved by **CNHi**.

The information contained in this catalogue is intended to be of a general nature only. **CNHi** may at any time and from time to time, for technical or other necessary reasons, modify any of the details or specifications of the product described in this catalogue.

To be sure of getting accurate, detailed and up-to-date information, an intending buyer should consult his nearest **CNHi** dealer or distributor.

Single item numeration method used in this catalogue may not be used without written consent from **CNHi**.

CLICK HERE TO **DOWNLOAD** THE COMPLETE MANUAL

- Thank you very much for reading the preview of the manual.
- You can download the complete manual from: [www.heydownloads.com](http://www.heydownloads.com) by clicking the link below



- Please note: If there is no response to **CLICKING** the link, please download this PDF first and then click on it.

CLICK HERE TO **DOWNLOAD** THE COMPLETE MANUAL

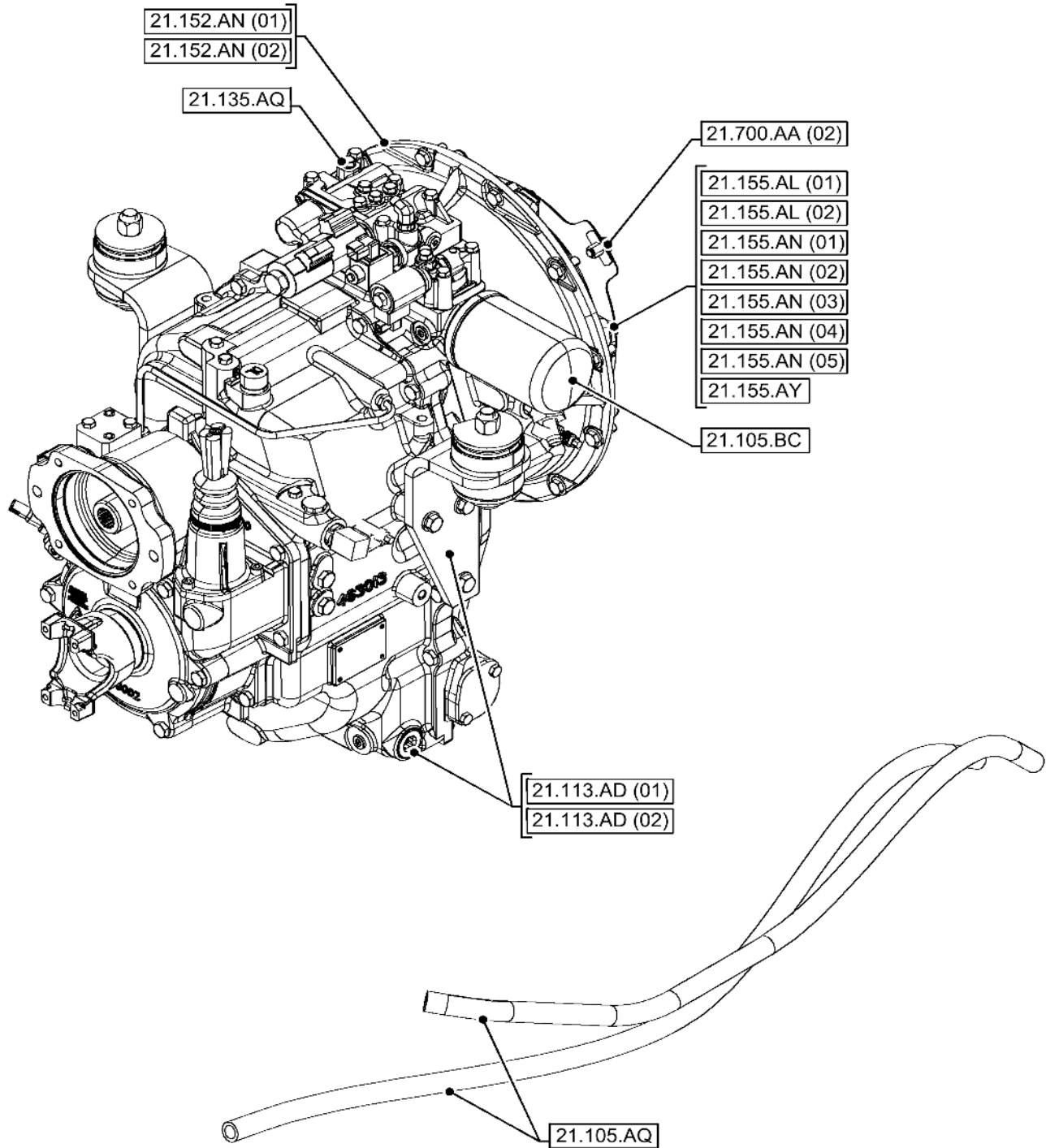
---

## TABLE OF CONTENTS

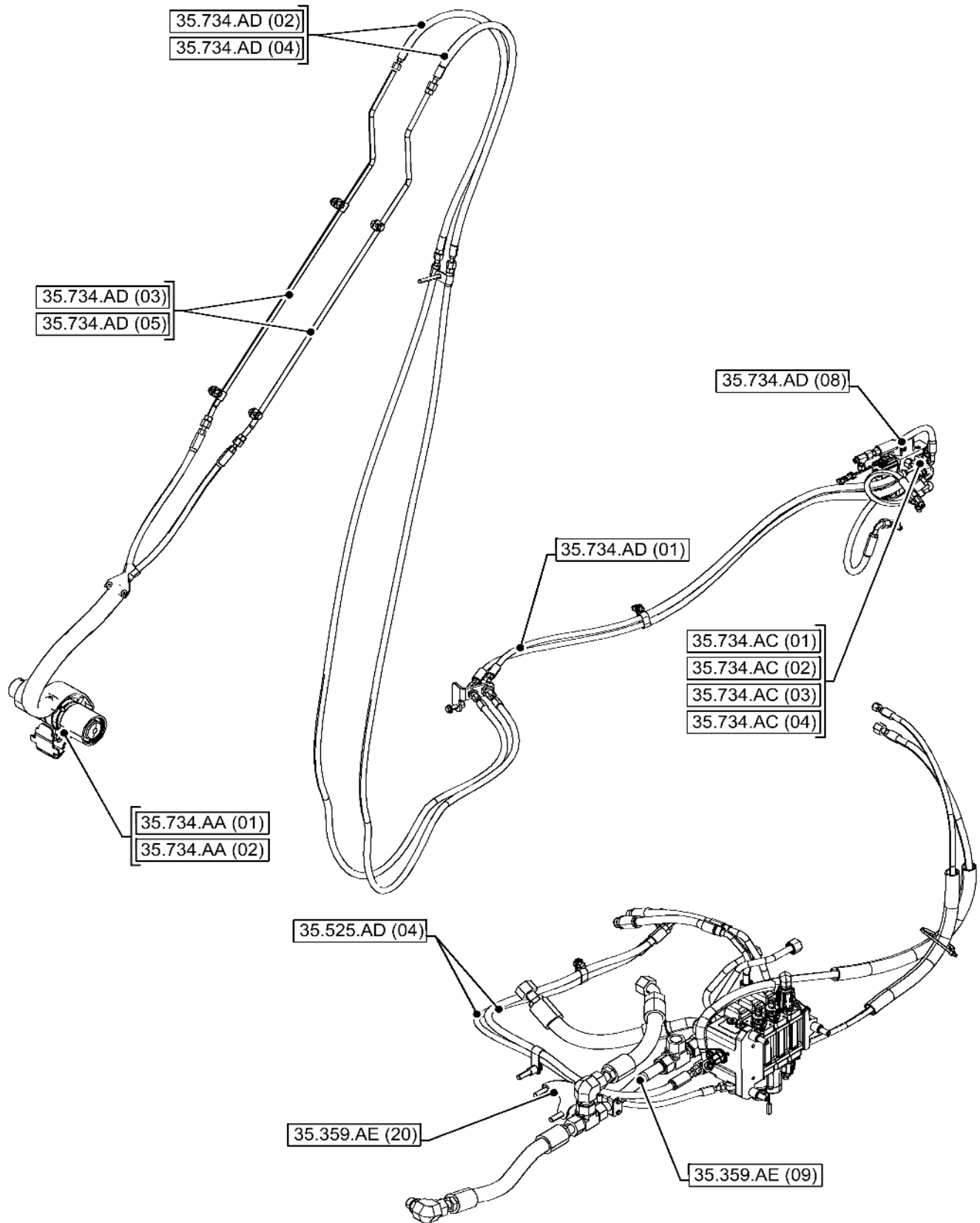
---

84.100.AP	07	VAR - 442017 - BACKHOE BUCKET, HYDRAULIC COUPLER, LINK 14FT/427MM
84.100.AP	08	BACKHOE BUCKET, MECHANICAL COUPLING, INSULATION PIN
84.100.AP	09	VAR - 442017 - BACKHOE BUCKET, HYDRAULIC COUPLER
84.100.AQ		VAR - 423066 - BUCKET, UNIVERSAL 12INCH/305MM, PIN
84.114.AF		BOOM SWING, TOWER
84.114.AI	01	BOOM, TRANSPORT LOCK
84.114.AI	02	VAR - 742369 - BOOM, TRANSPORT LOCK, MECHANICAL, CONTROL, FOOT, LEVER, MECHANICAL, CONTROL
84.114.AI	03	VAR - 423078, 747669 - BOOM, TRANSPORT LOCK, MECHANICAL, CONTROL, FOOT, LEVER, PILOT CONTROLS
84.114.AK		BOOM SWING, PIN
84.910.AA	01	BOOM
84.910.AA	01	BOOM
84.910.AA	02	BOOM, GUARD
84.910.AC	01	BOOM, CYLINDER, PIN - END YR 6-OCT-2017
84.910.AC	01A	BOOM, CYLINDER, PIN - BEGIN YR 7-OCT-2017
84.912.AA	01	STANDARD DIPPER, BACKHOE ARM
84.912.AA	02	STANDARD DIPPER, HYDRAULIC COUPLER, BACKHOE ARM
84.912.AA	03	VAR - 423092 - STANDARD DIPPER, EXTENDABLE DIPPER, GRIP
84.912.AB	01	VAR - 423075 - STANDARD DIPPER, PIN
84.912.AB	02	VAR - 423076 - EXTENDABLE DIPPER, PIN
84.912.AC	01	EXTENDABLE DIPPER, HYDRAULIC COUPLER, BACKHOE ARM
84.912.AC	02	EXTENDABLE DIPPER, BACKHOE ARM
84.912.AC	03	VAR - 423076 - EXTENDABLE DIPPER, FIXED, ARM
84.912.AC	04	EXTENDABLE DIPPER, SUPPORT, LINE
84.912.AD	01	STANDARD DIPPER, BUSHING
84.912.AD	02	STANDARD DIPPER, HYDRAULIC COUPLER, BUSHING
84.912.AD	03	EXTENDABLE DIPPER, HYDRAULIC COUPLER, BUSHING
84.912.AD	04	VAR - 423076 - EXTENDABLE DIPPER, BUSHING
88.000.00		SECTION INDEX - ACCESSORIES
88.100.10	00	DIA KIT, ENGINE
88.100.10	05	DIA KIT, CAP LOCKABLE
88.100.21	00	DIA KIT, TRANSMISSION
88.100.21	01	DIA KIT, REMOTE TRANSMISSION FILTER
88.100.35	00	DIA KIT, DEALER INSTALLED ACCESSORY KITS INDEX, HYDRAULIC SYSTEM

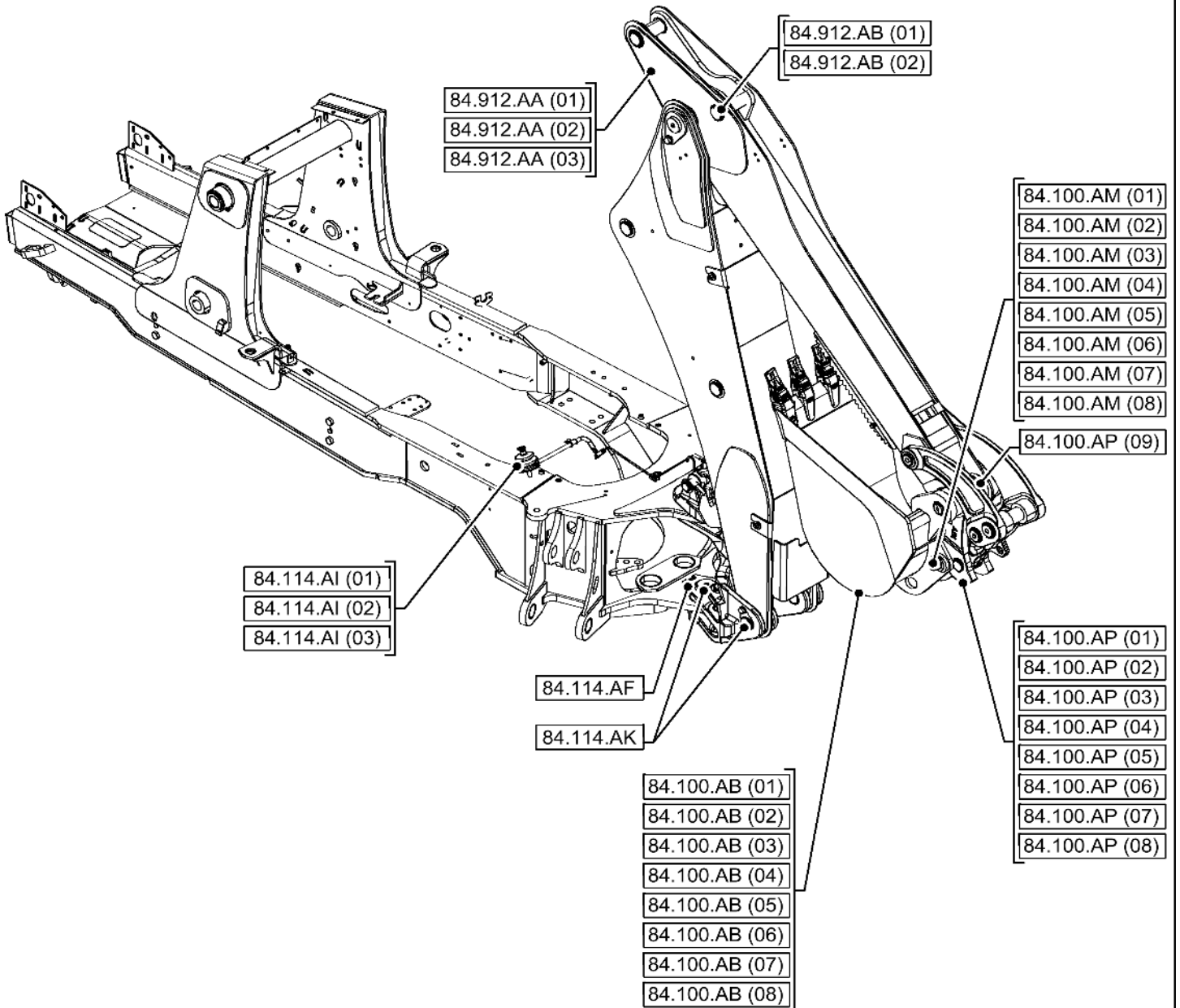
PICTORIAL INDEX - TRANSMISSION, POWERSHIFT



PICTORIAL INDEX - HYDRAULIC SYSTEMS



PICTORIAL INDEX - BOOMS, DIPPERS & BUCKET (STANDARD)

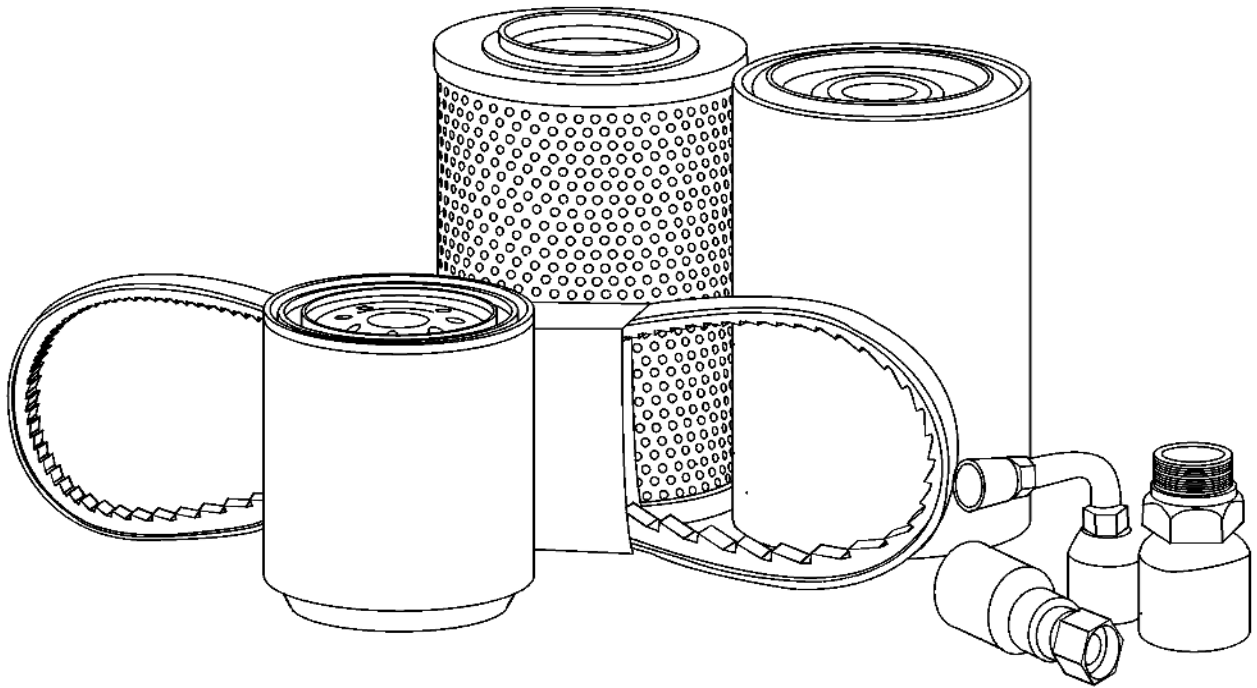


05.100.01

p2

10/201  
9

INITIAL STOCKING LIST (LIST A)



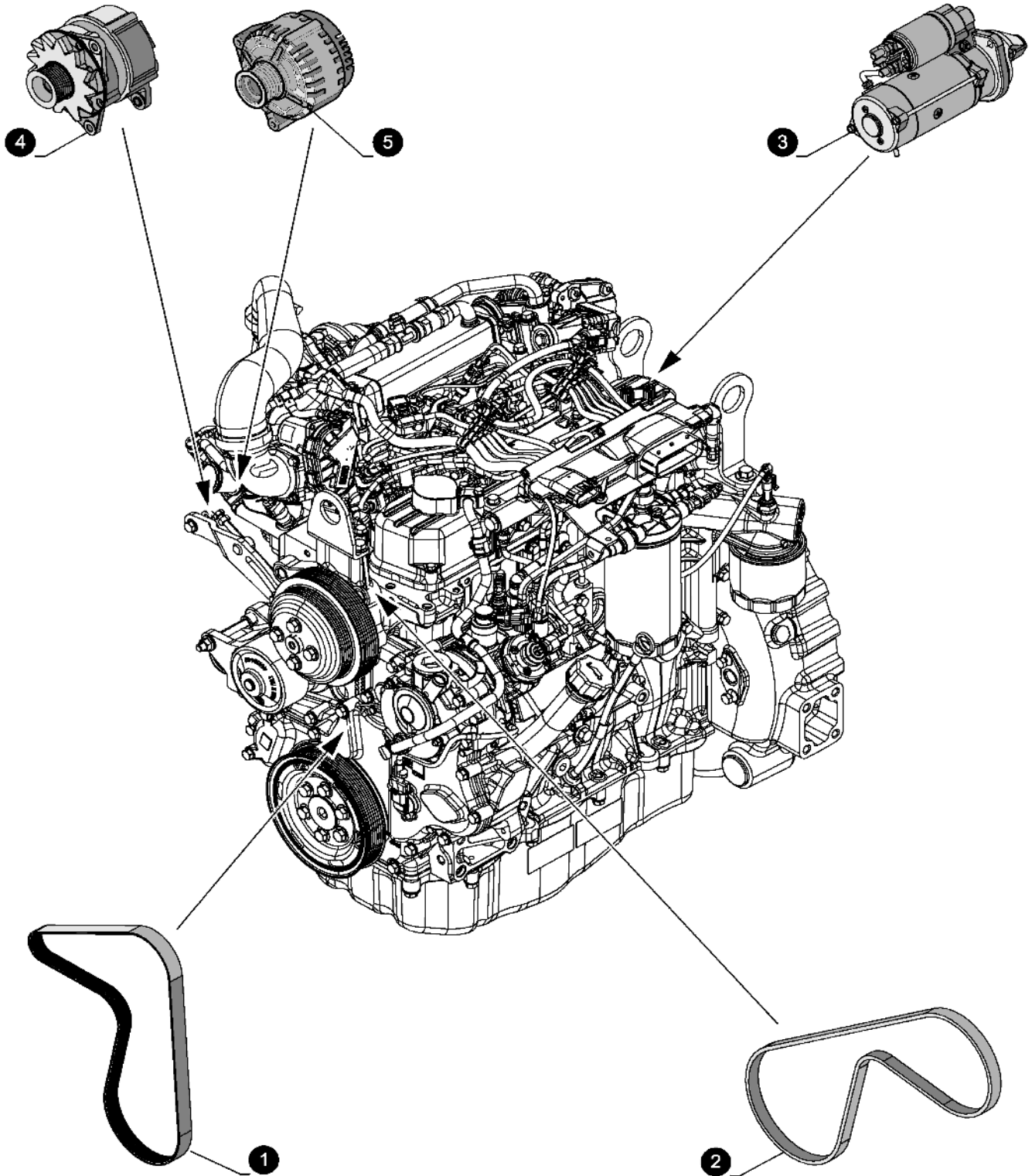
05.100.04

02

p2

10/201  
9

MAINTENANCE PARTS - STARTER MOTOR, ALTERNATOR, BELTS



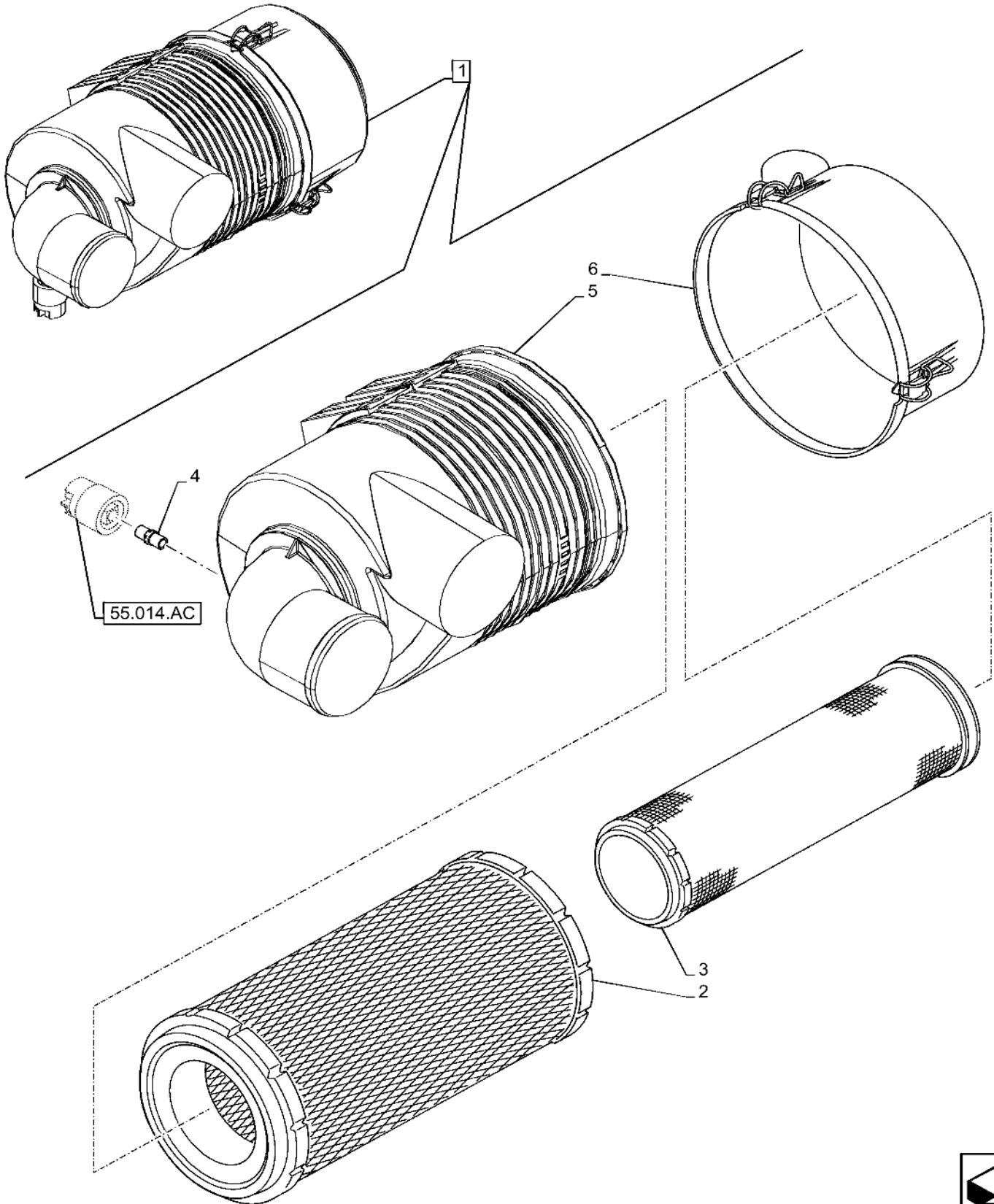
10.202.AB

02

p1

10/201  
9

AIR CLEANER, COMPONENTS



10.310.AA

p1

10/201  
9

VAR - 423000, 442082, 747853, 747854, 747855 - AFTERCOOLER

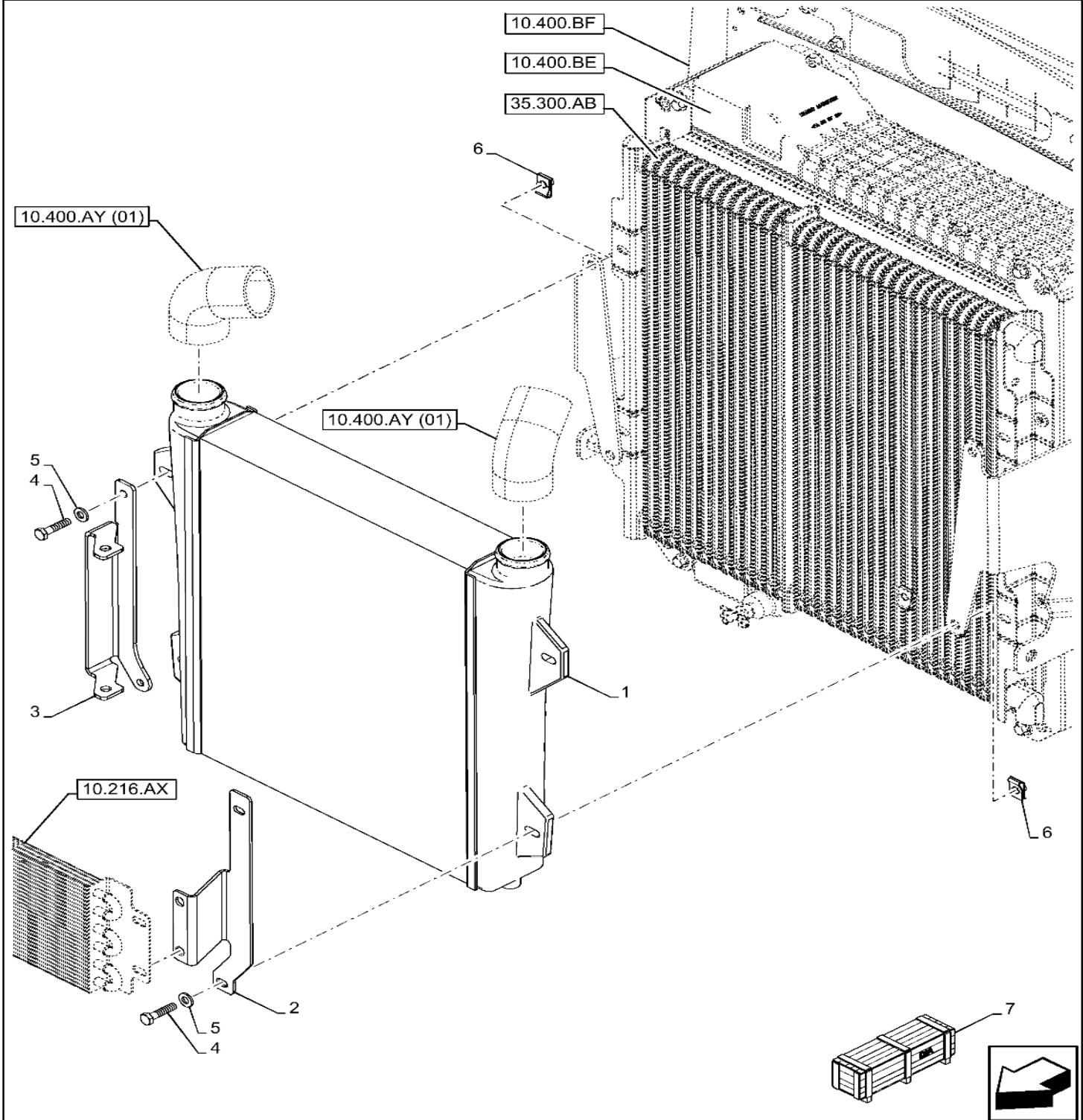


Figure is Valid with Industrial Var. 423000, 442082, 747853, 747854, 747855

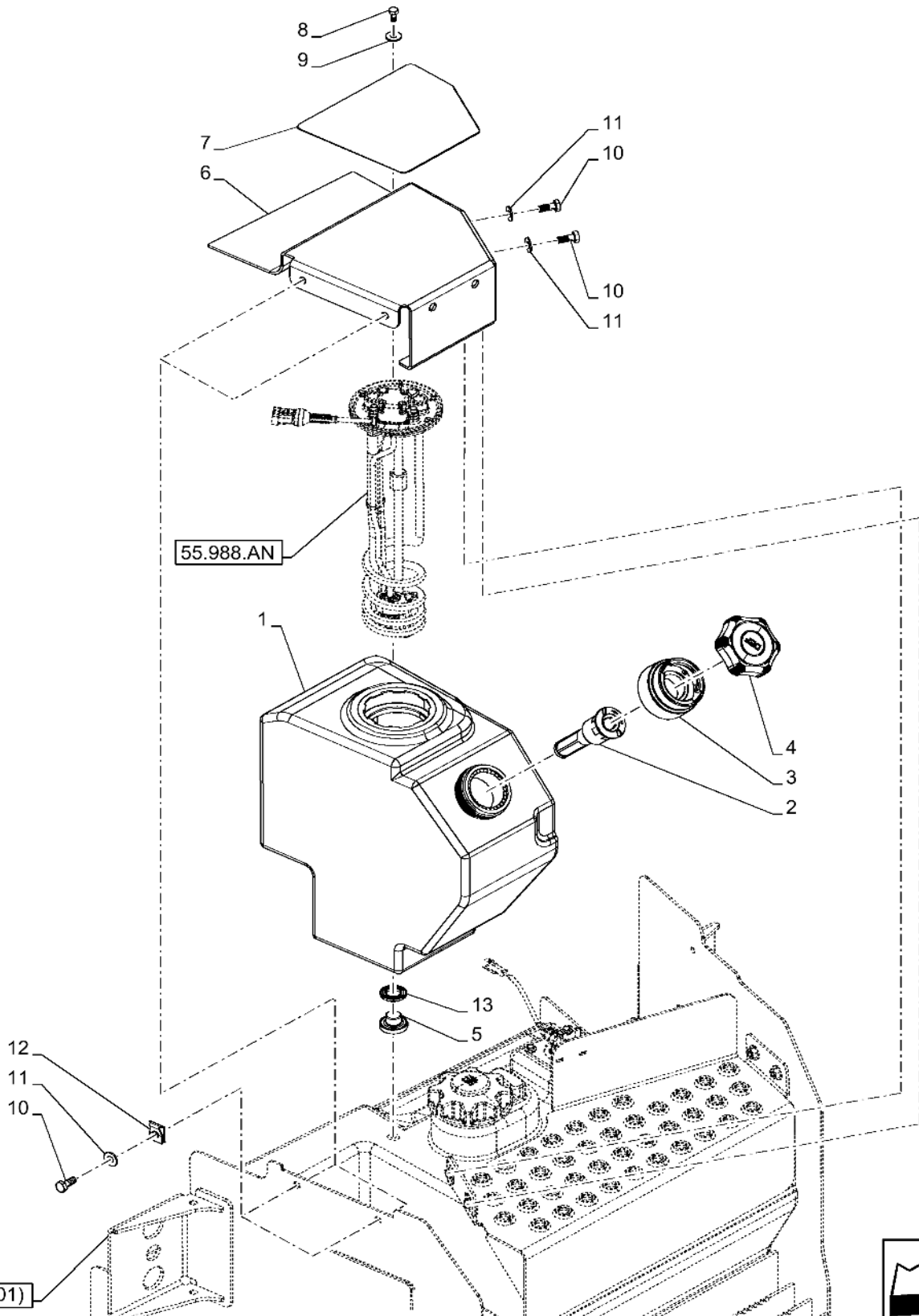
10.500.AA

01

p1

10/201  
9

DEF TANK



21.103.AS

p1

10/201  
9

VAR - 423061 - TRANSMISSION, SEMI-POWERSHIFT, OIL LINE, INTERNAL, 4WD

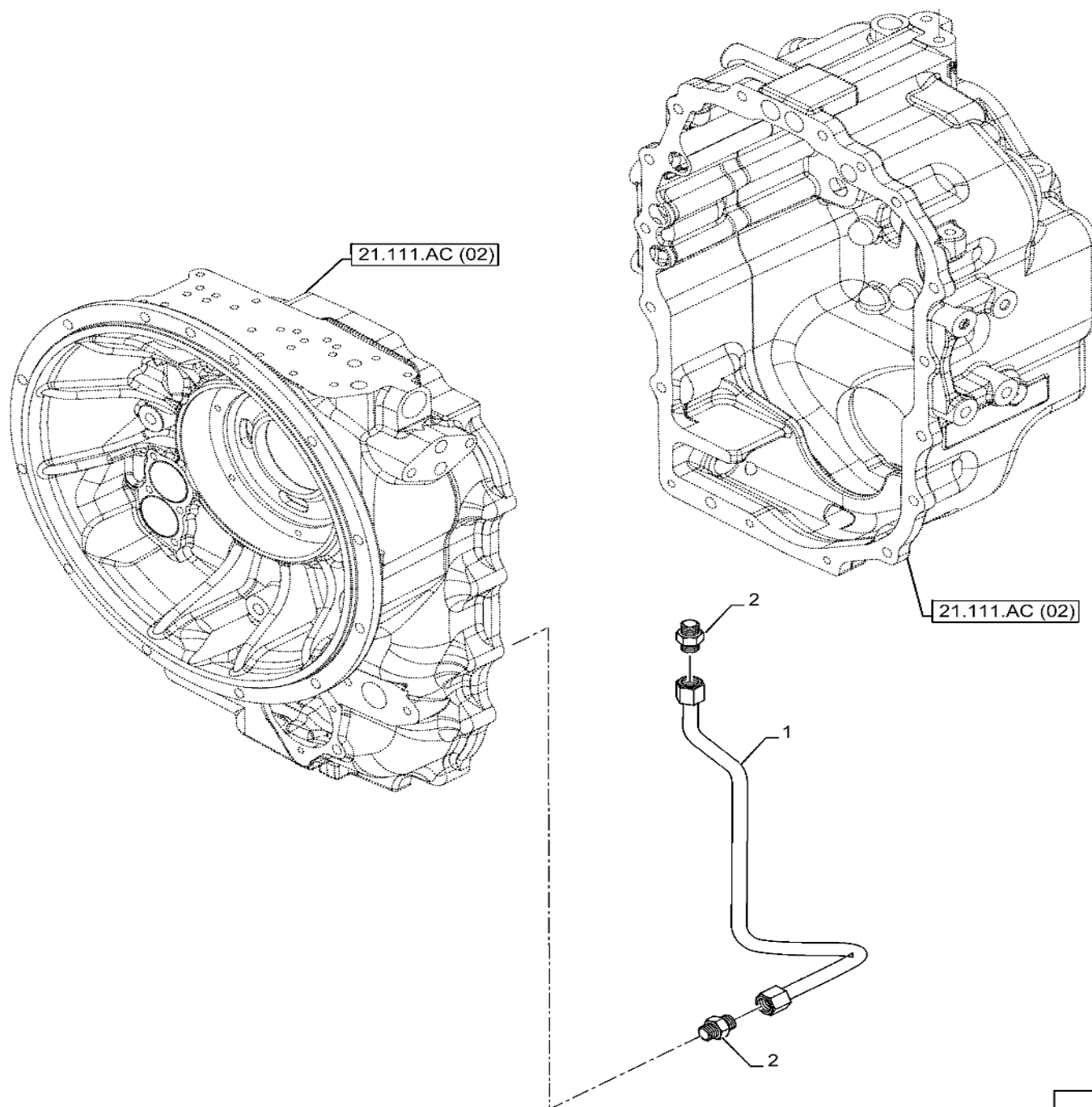


Figure is Valid with Industrial Var. 423061

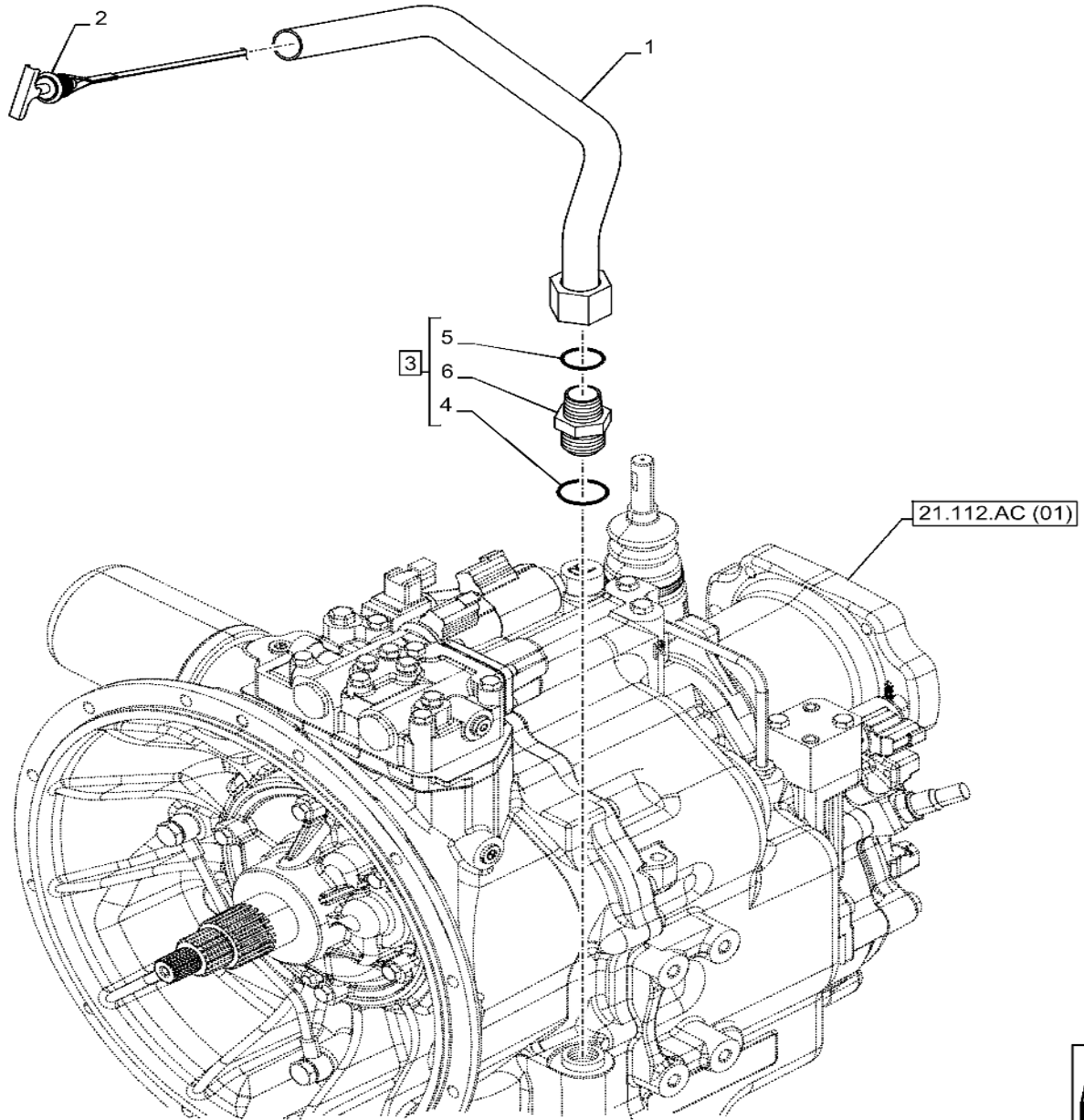


Figure is Valid with Industrial Var. 423058, 423059



21.134.AM

03

p1

10/201  
9

VAR - 423059 - TRANSMISSION, POWERSHUTTLE, CONTROL VALVE

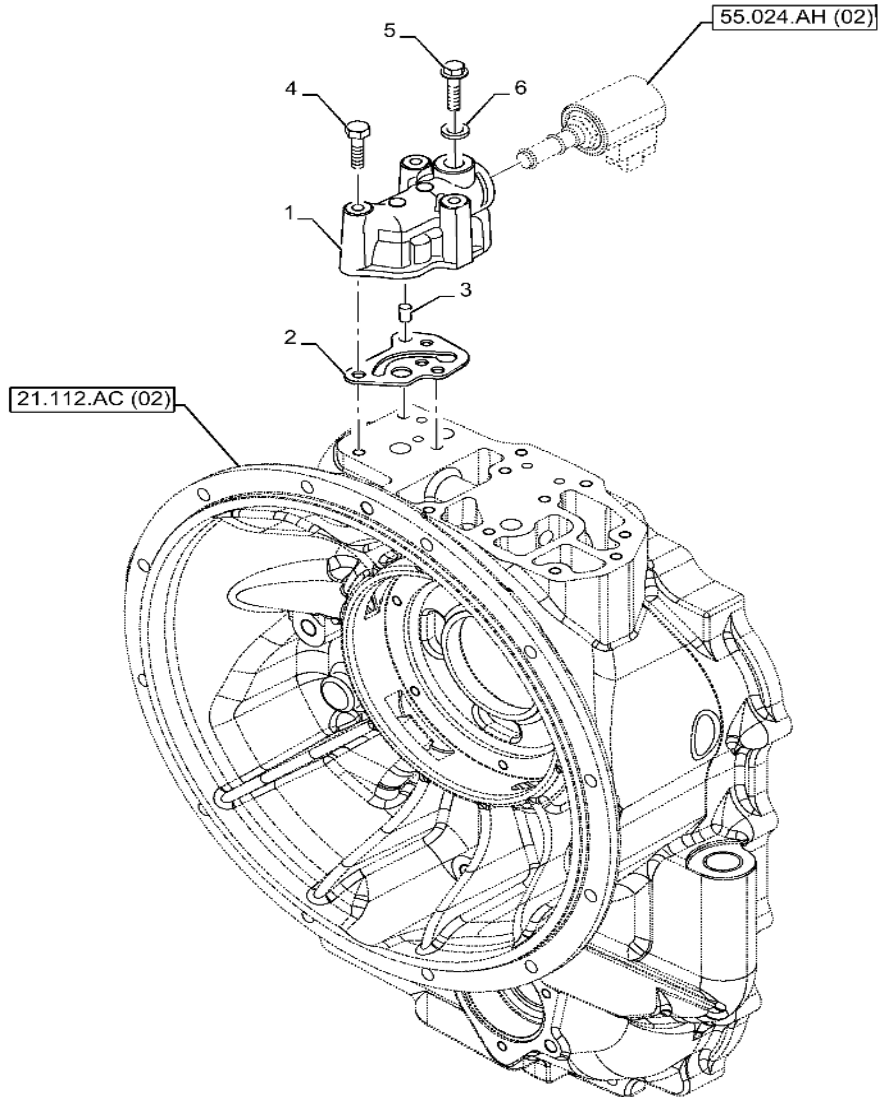


Figure is Valid with Industrial Var. 423059

21.154.AJ

02

p1

10/2019

VAR - 423058, 423059 - TRANSMISSION, POWERSHUTTLE, DRIVE SHAFT, COMPONENTS

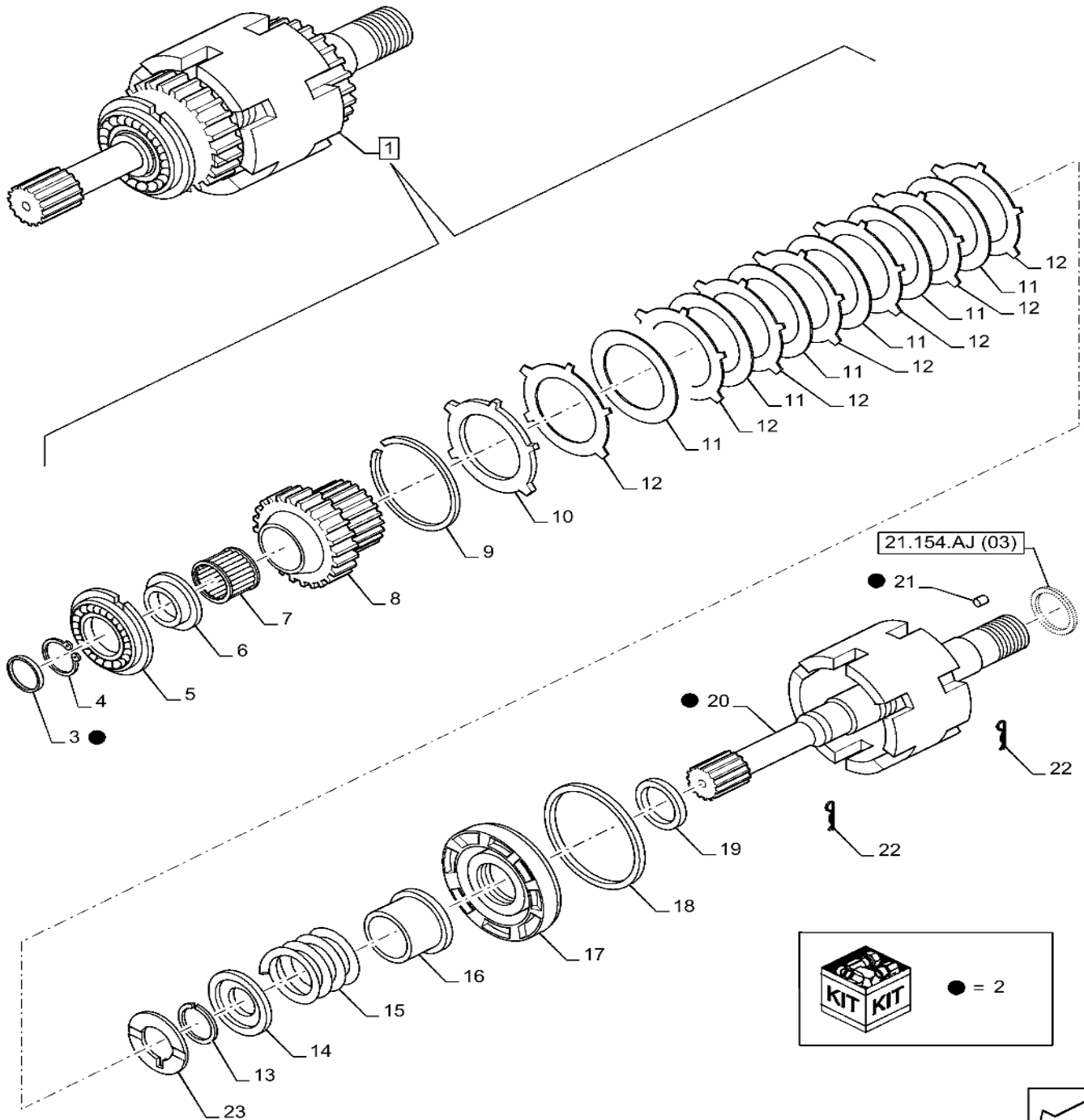


Figure is Valid with Industrial Var. 423058, 423059

21.155.AN

05

p1

10/201  
9

VAR - 423062 - TRANSMISSION, POWERSHIFT, INPUT SHAFT, 4WD

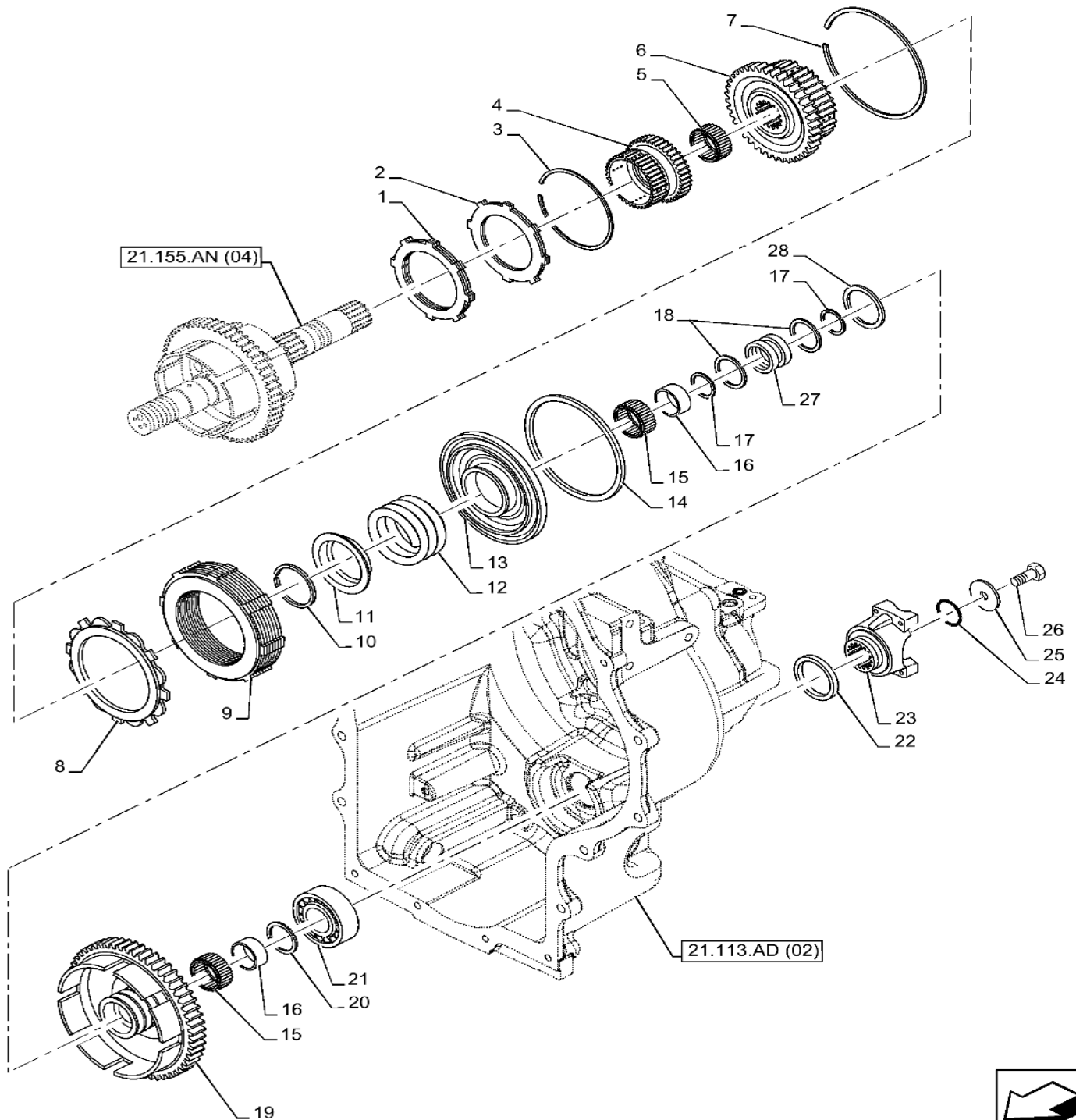


Figure is Valid with Industrial Var. 423062

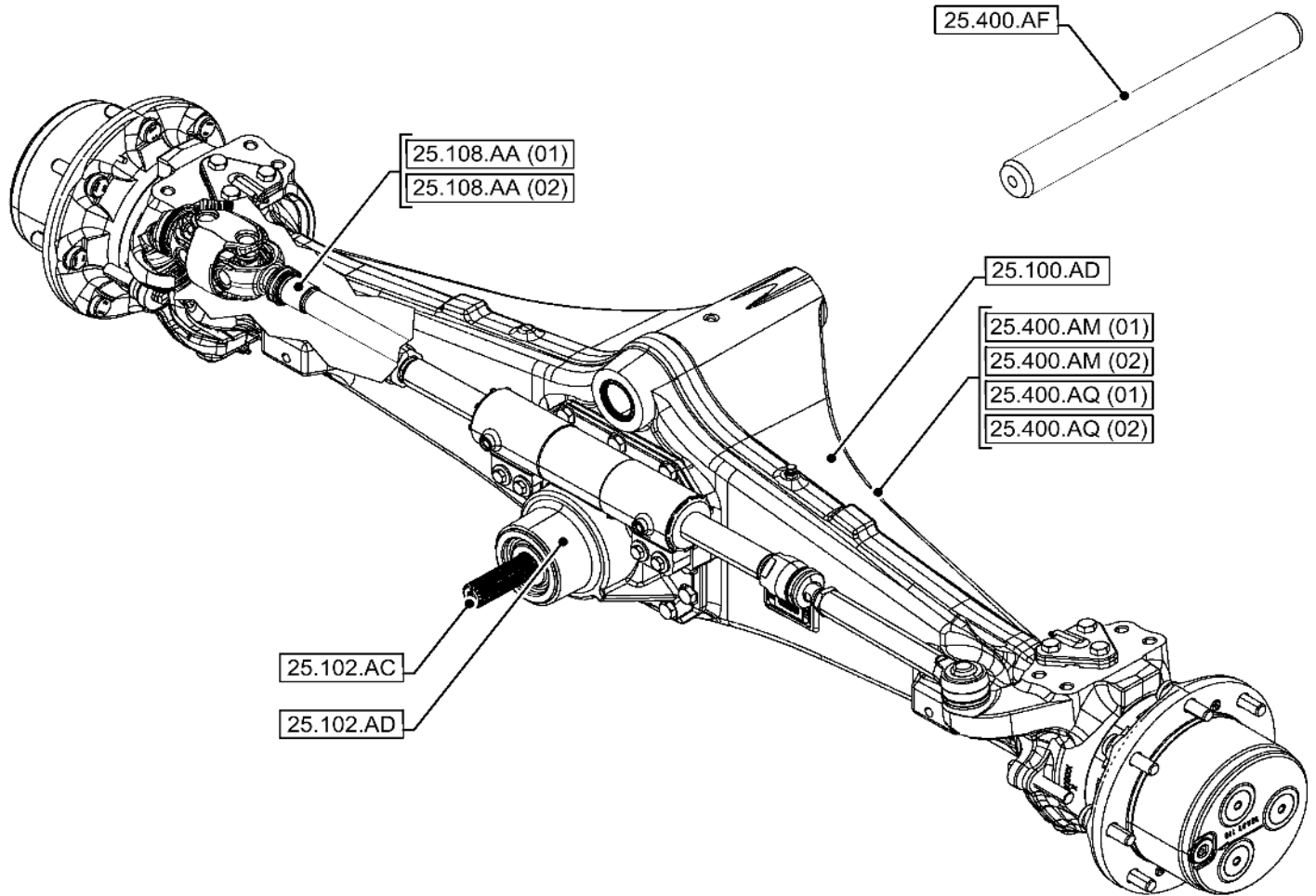
25.000.00

02

p1

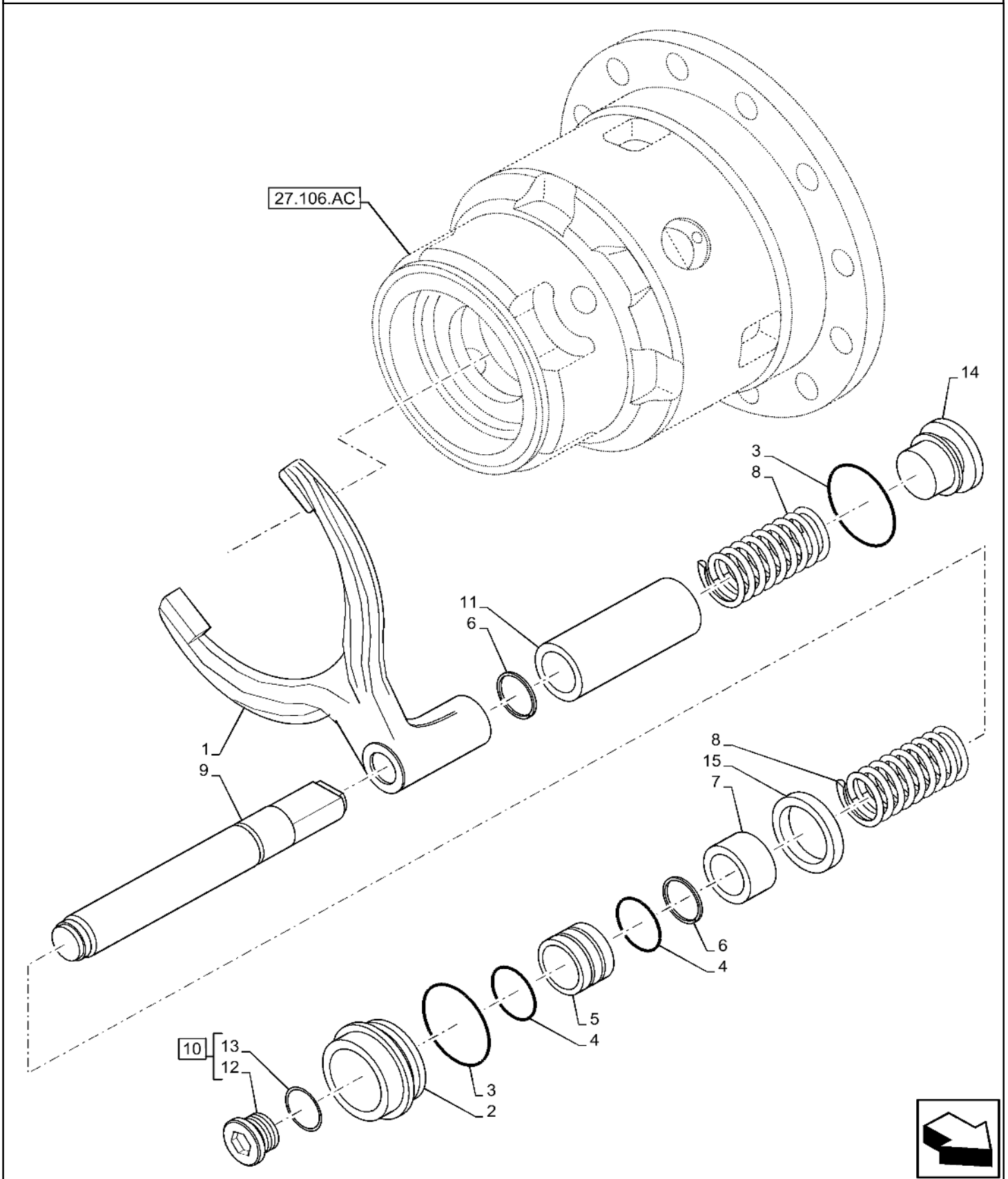
10/201  
9

SECTION INDEX - FRONT AXLE SYSTEM 4WD





REAR AXLE, DIFFERENTIAL LOCK



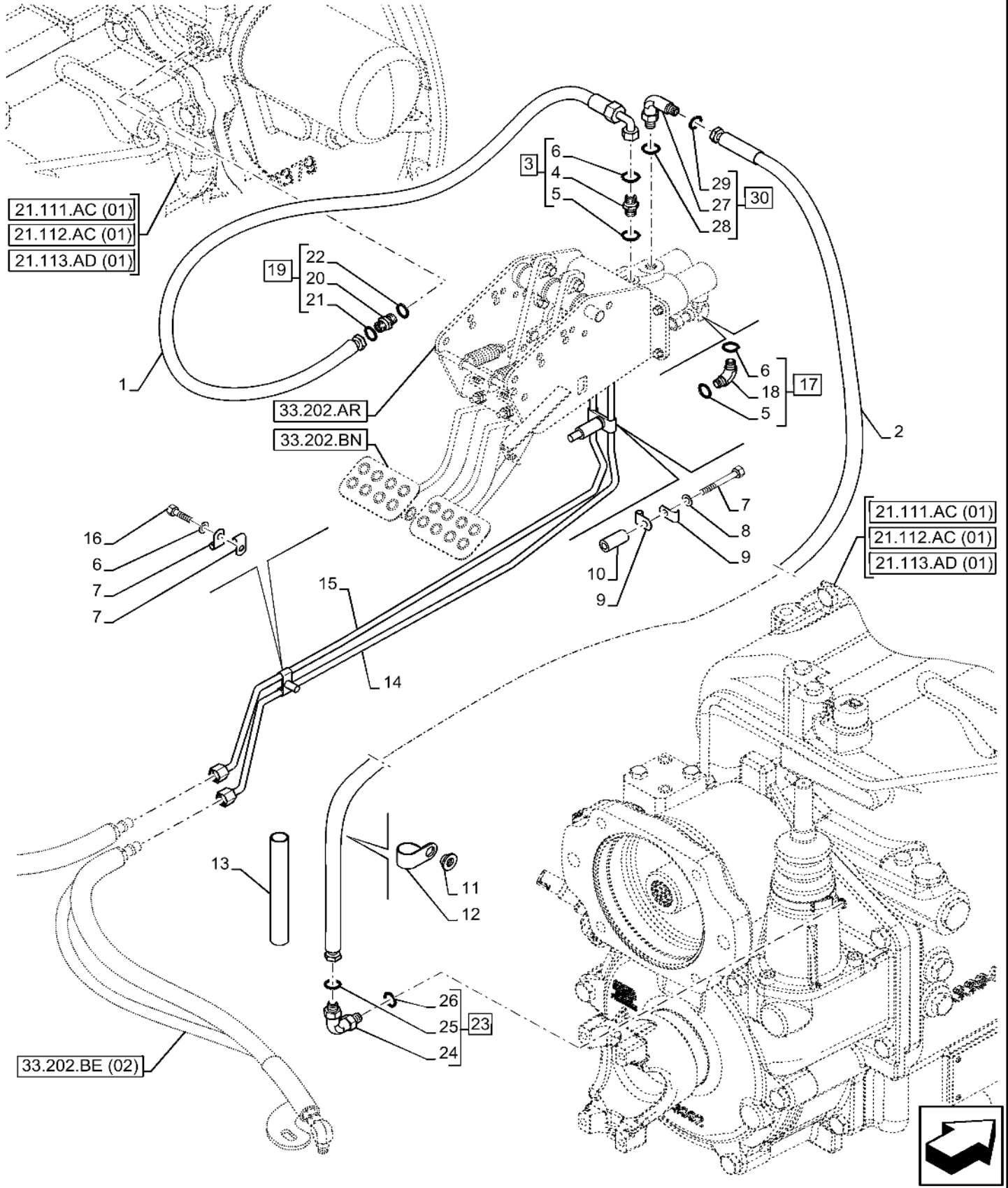
**33.202.BE**

01

p1

10/201  
9

**BRAKE, LINE, TRANSMISSION**



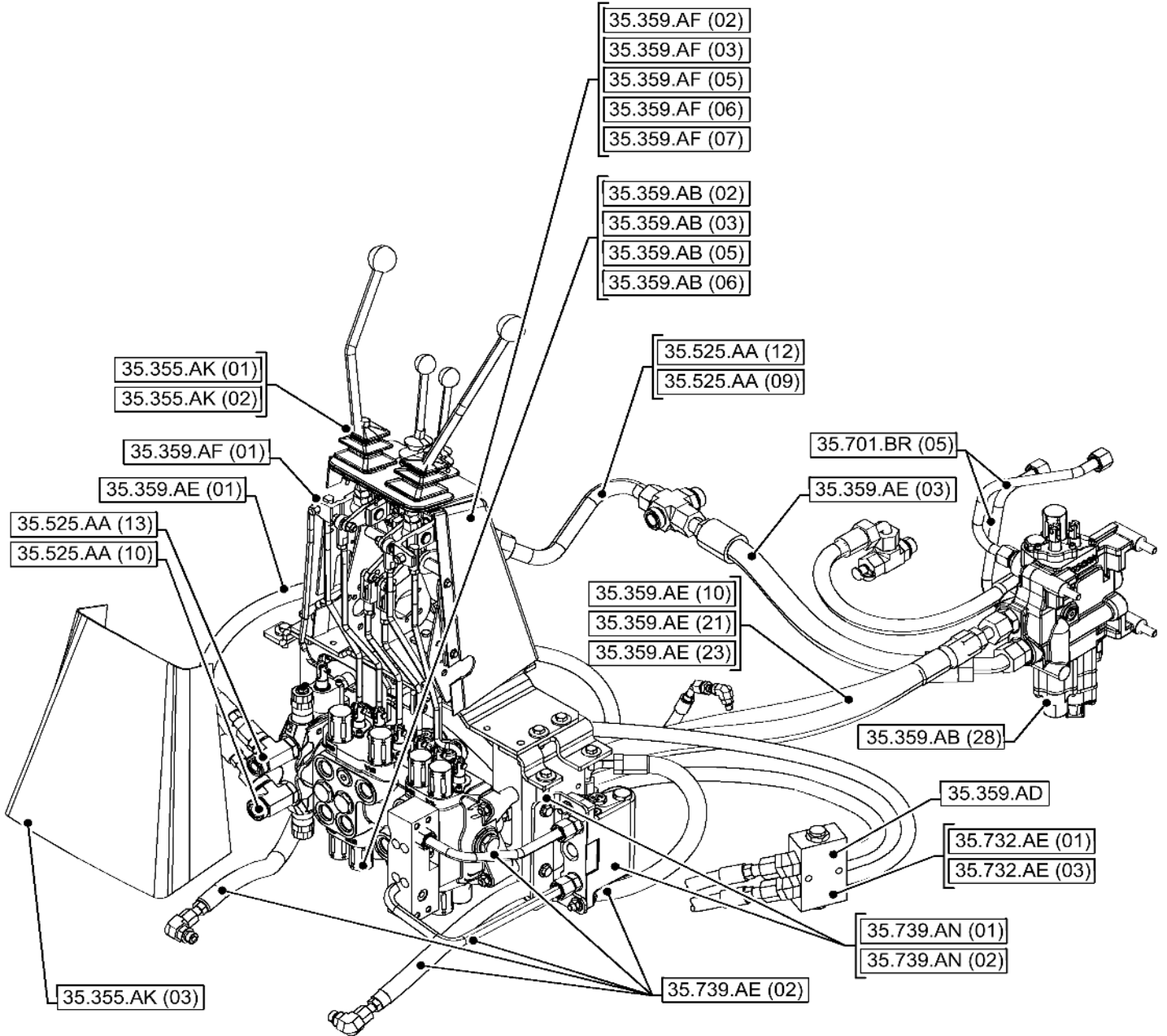
35.000.00

05

p1

10/201  
9

SECTION INDEX - HYDRAULIC SYSTEMS



**35.106.AO**

04

p1

10/201  
9

LOADER, CONTROL VALVE LINE, HYDRAULIC PUMP

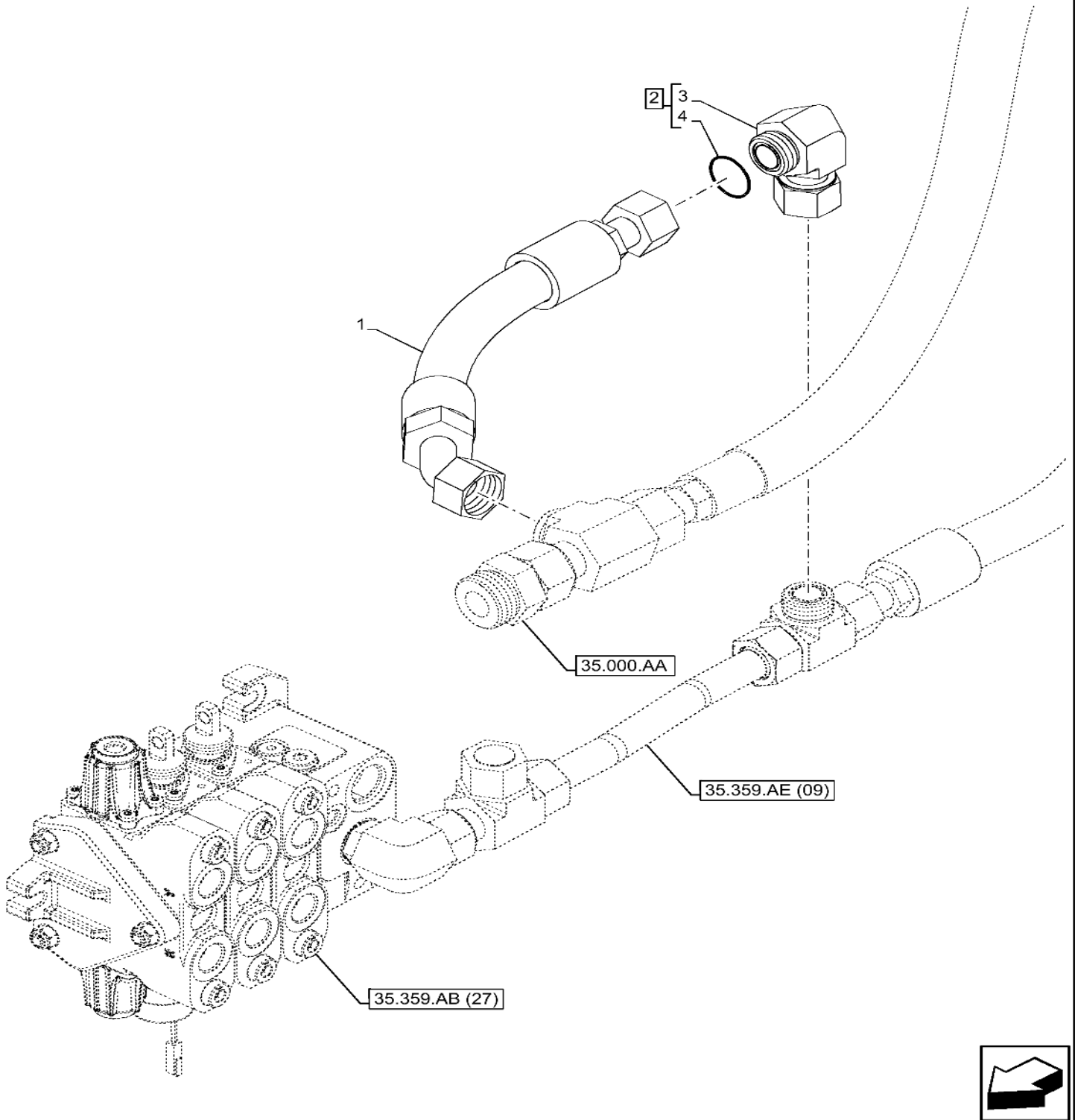


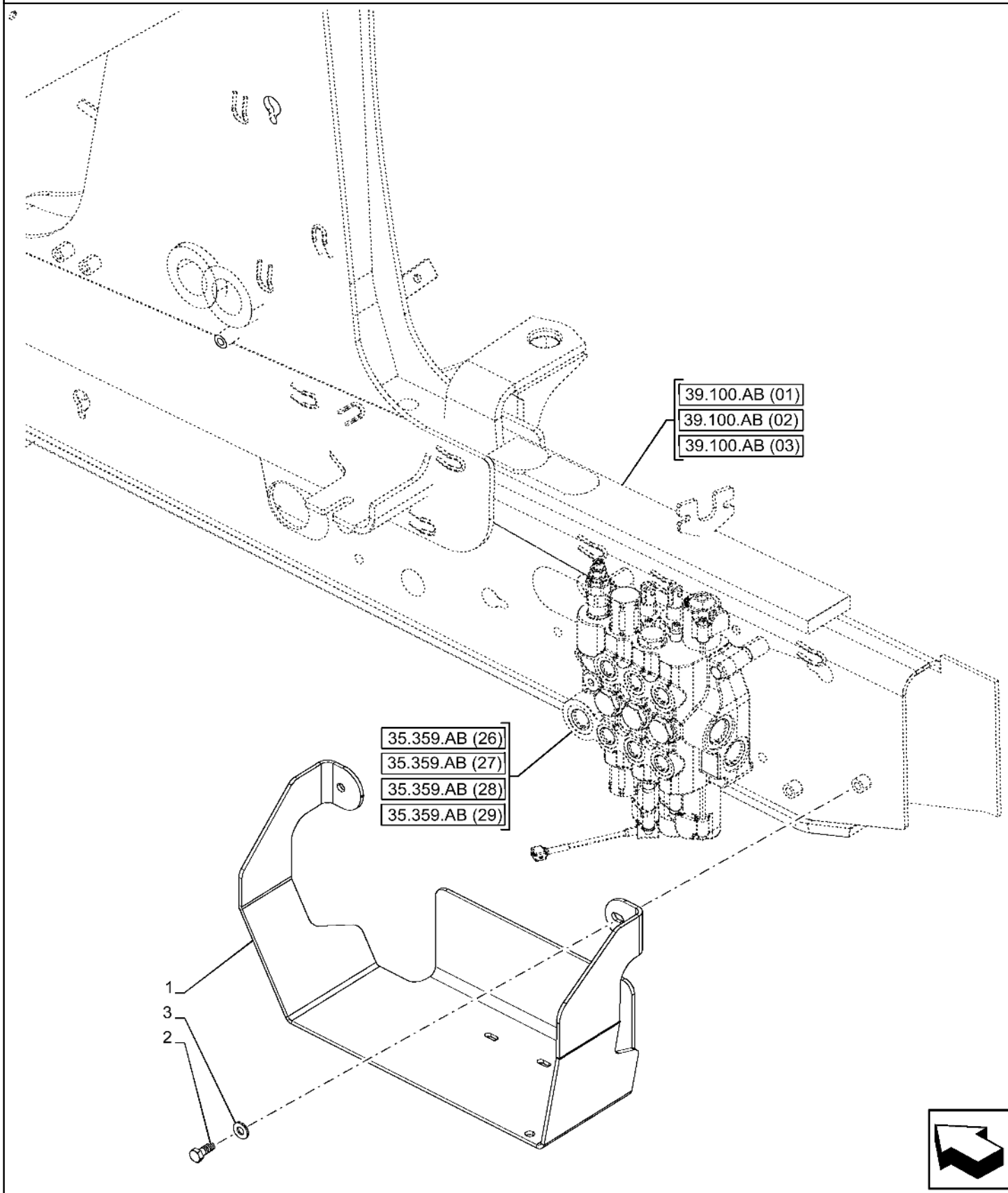
Figure is Valid with Option X20137X

**35.350.AJ**

p1

10/201  
9

**MAIN, RELIEF VALVE, SHIELD, ASSY**



35.357.AB

04

p1

10/201  
9

VAR - 423078 - BACKHOE ARM, PILOT CONTROLS, BRACKET

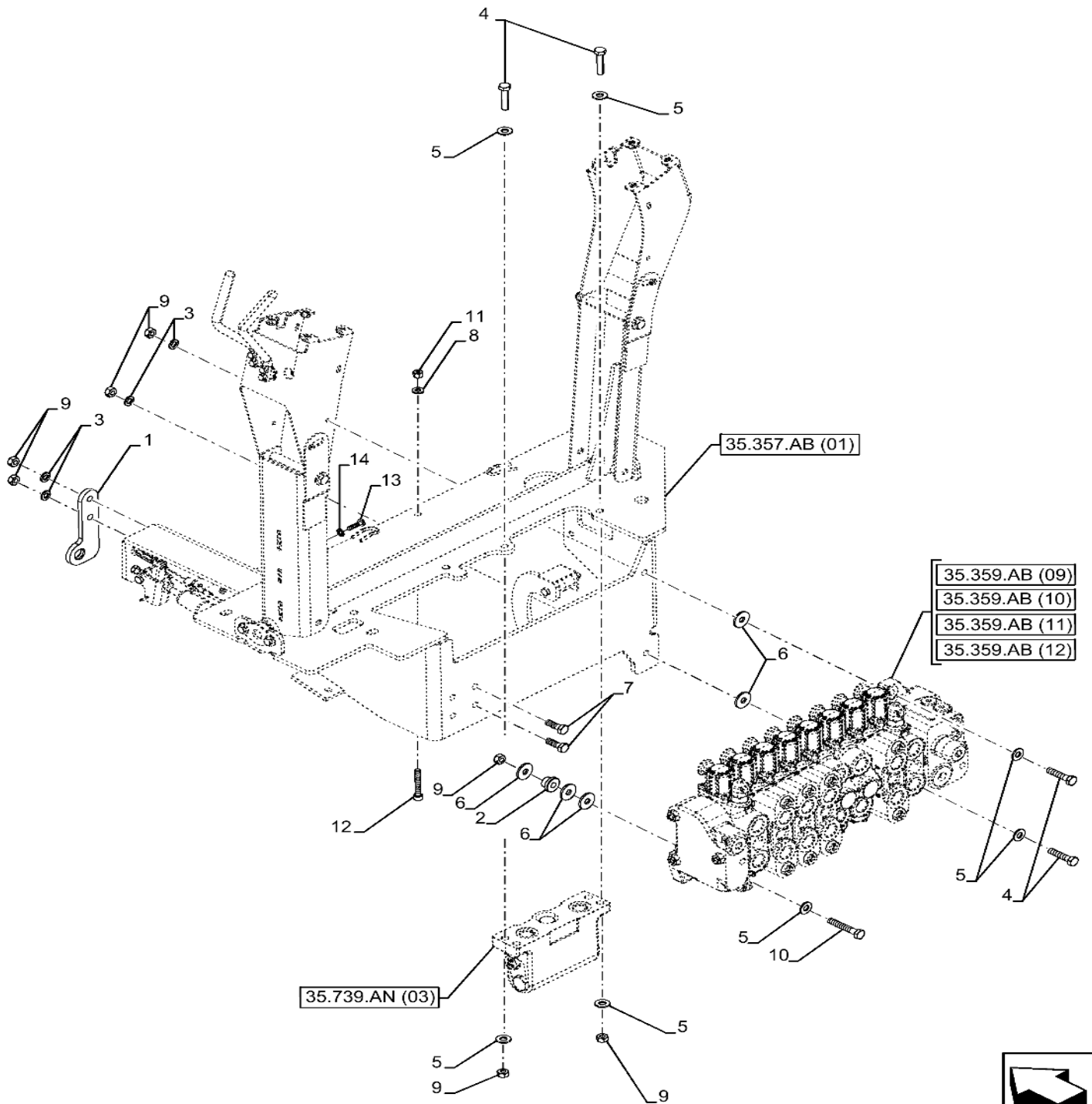


Figure is Valid with Industrial Var. 423078

**35.357.AN**

06

p1

10/201  
9

**8-SPOOL, PRESSURE CONTROL VALVE, W/ PILOT CONTROLS**

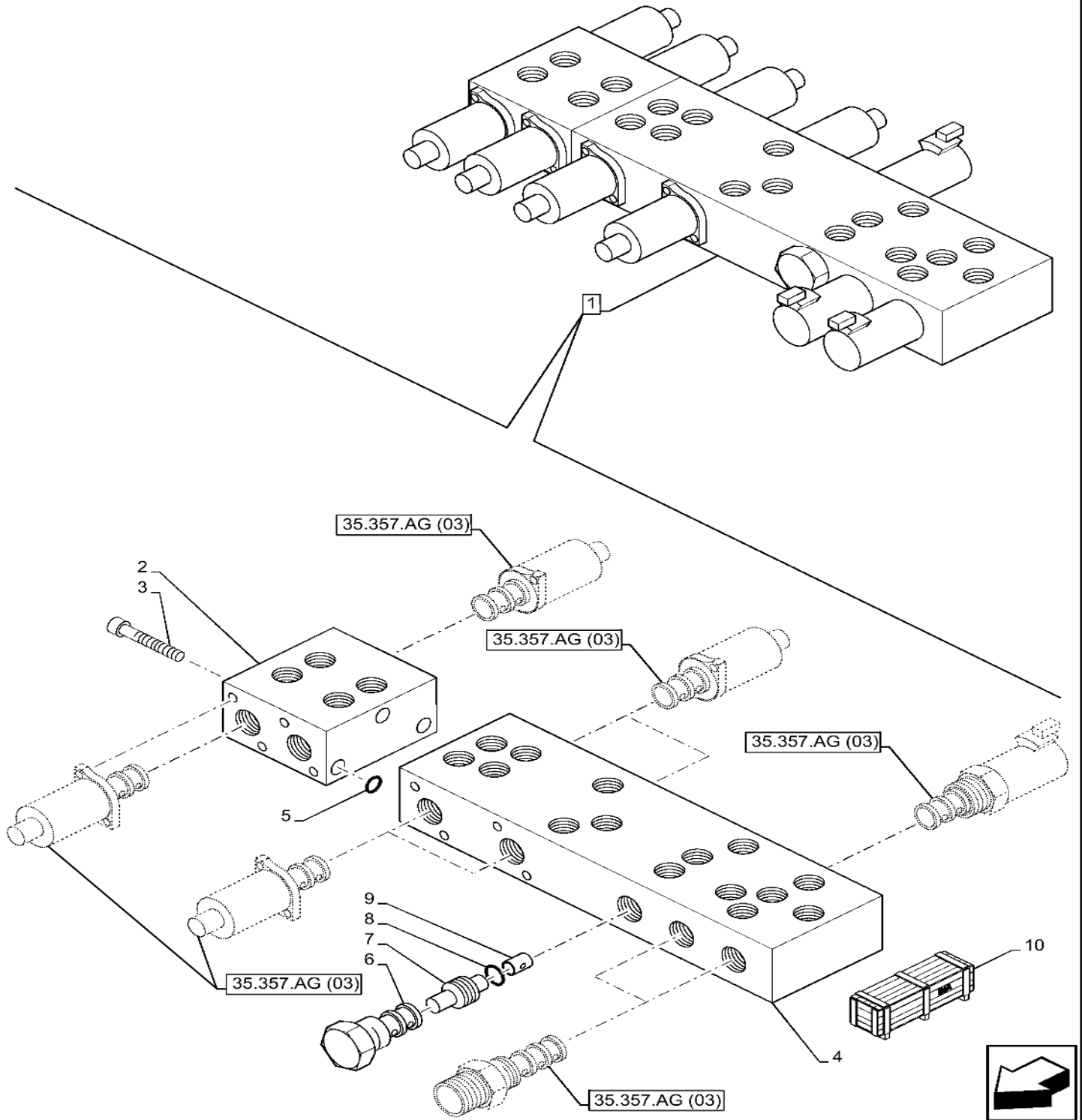


Figure is Valid with Industrial Var. 423075, 423076 Standard and Extendable Dipper only when Var. 423078 Pilot Controls W/Heavy Lift or Var. 423084 Auxiliary Hydraulics-Combo Direct - Pilot Controls is Equipped.

**35.359.AB**

05

p1

10/201  
9

**BACKHOE CONTROL VALVE, 7-SPOOL, MOUNTING PARTS, STANDARD DIPPER, W/ TWO LEVER CONTROLS**

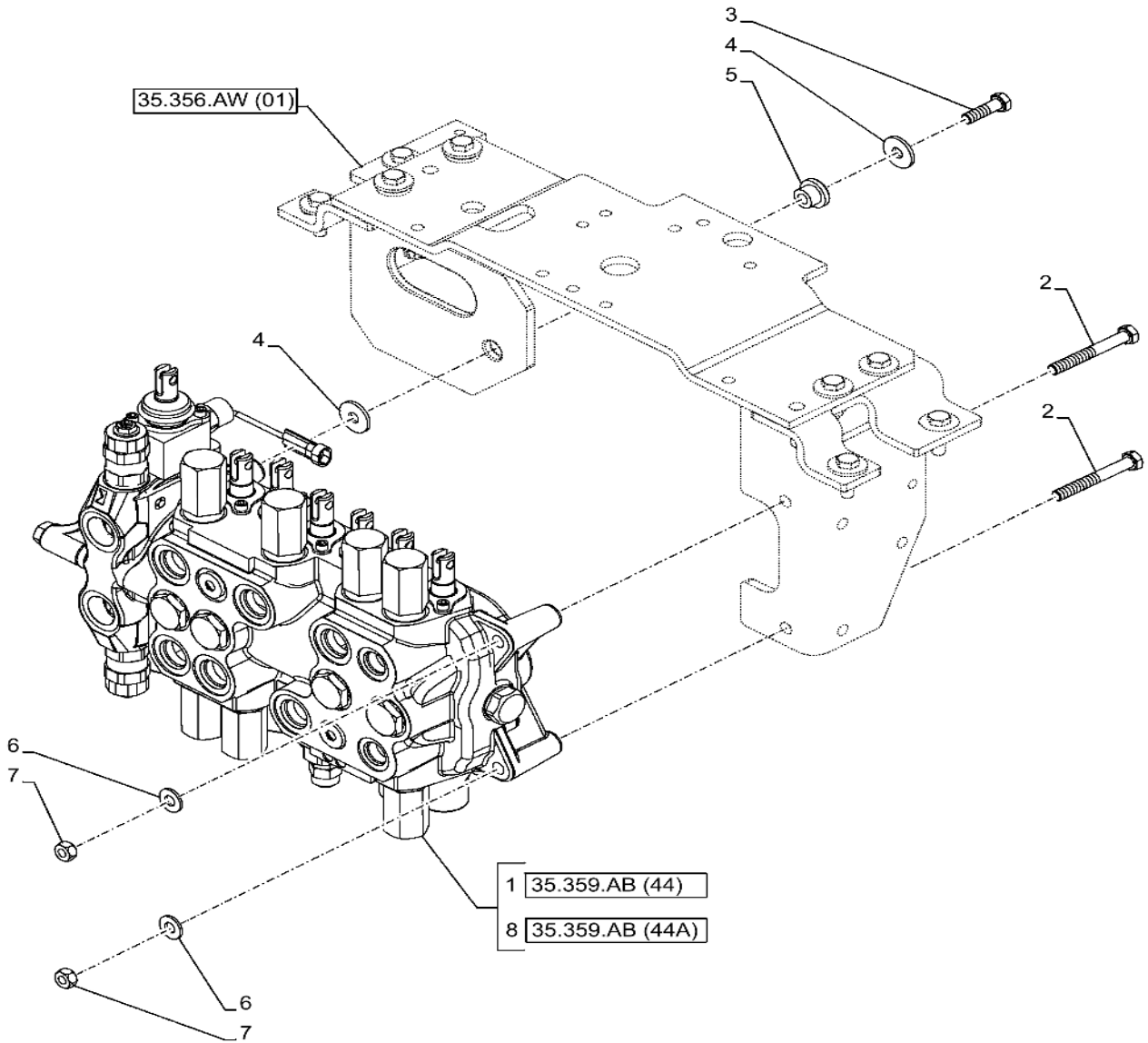


Figure is Valid with Industrial Var. 423075 Standard Dipper only when Var. 423083 Auxiliary Hydraulic - Combo Direct or Var. 742369 2 Lever Controls is Equipped; D7373 After Date 10 July 2015

35.359.AB

18

p1

10/201  
9

BACKHOE CONTROL VALVE, SWING SECTION, COMPONENTS

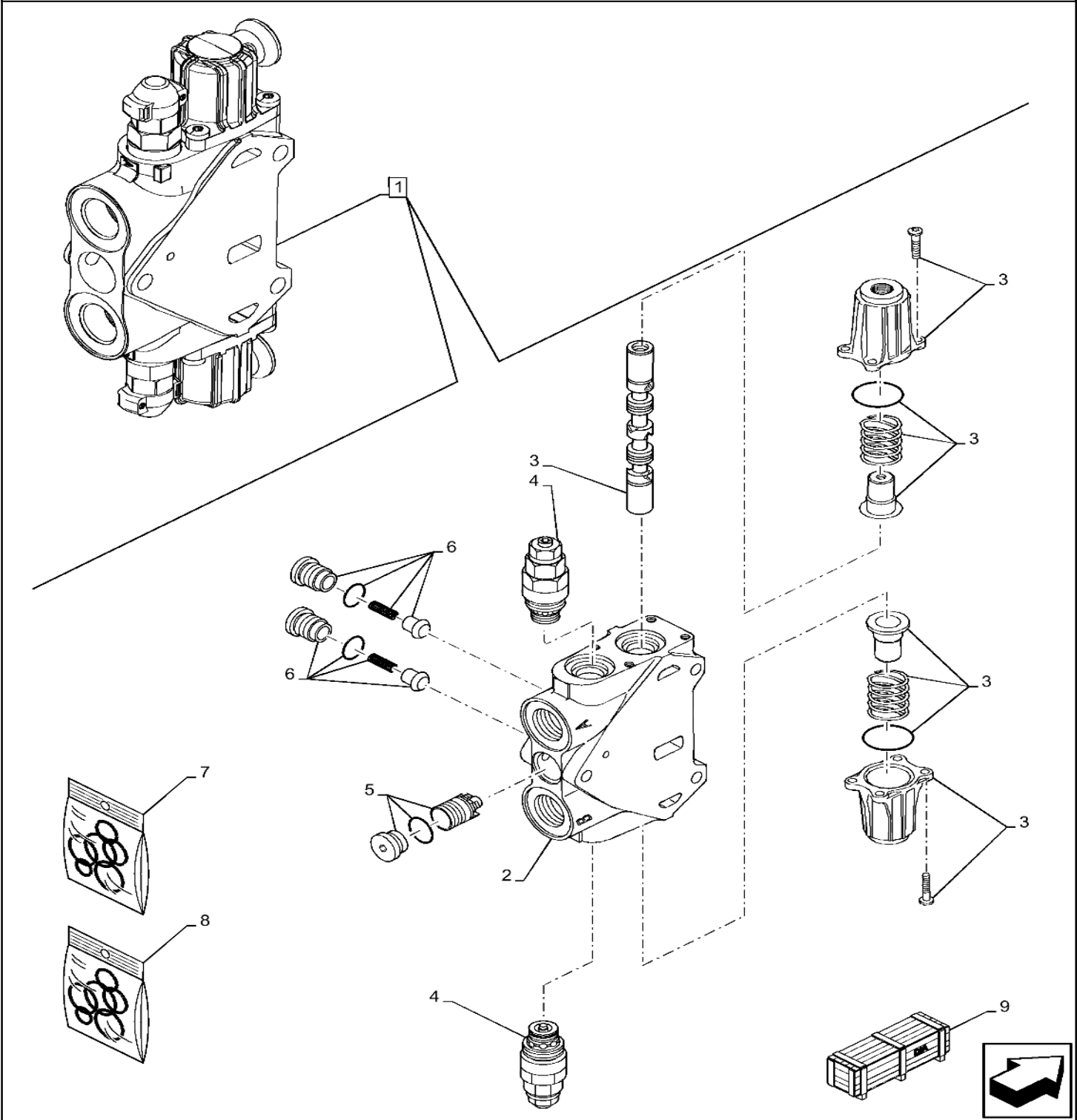


Figure is Valid with Industrial Var. 423075, 423076 Standard and Extendable Dipper only when Var. 423078 Pilot Controls W/ Heavy Lift or Var. 747662 Auxiliary Hydraulic/Uni-Direct for Pilot is Equipped.

35.359.AB

30

p1

10/201  
9

VAR - 74776 - LOADER, CONTROL VALVE, MECHANICAL, 3-SPOOL

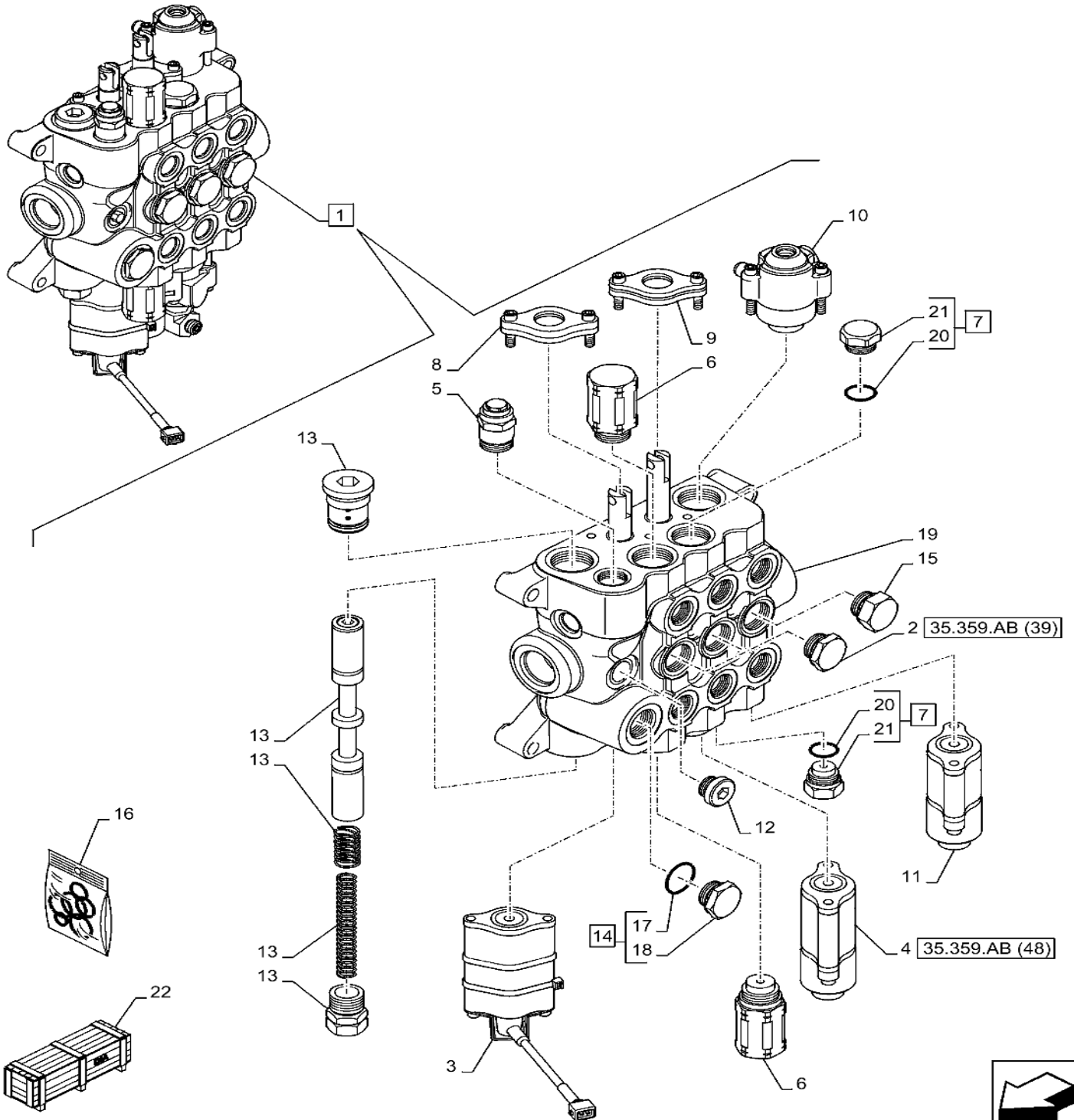


Figure is Valid with Industrial Var. 74776 and Option X20137X

35.359.AB

41

p1

10/201  
9

BACKHOE CONTROL VALVE, 6-SPOOL, COMPONENTS, STANDARD DIPPER, W/ TWO LEVER CONTROLS - END YR 10-JUL-2015

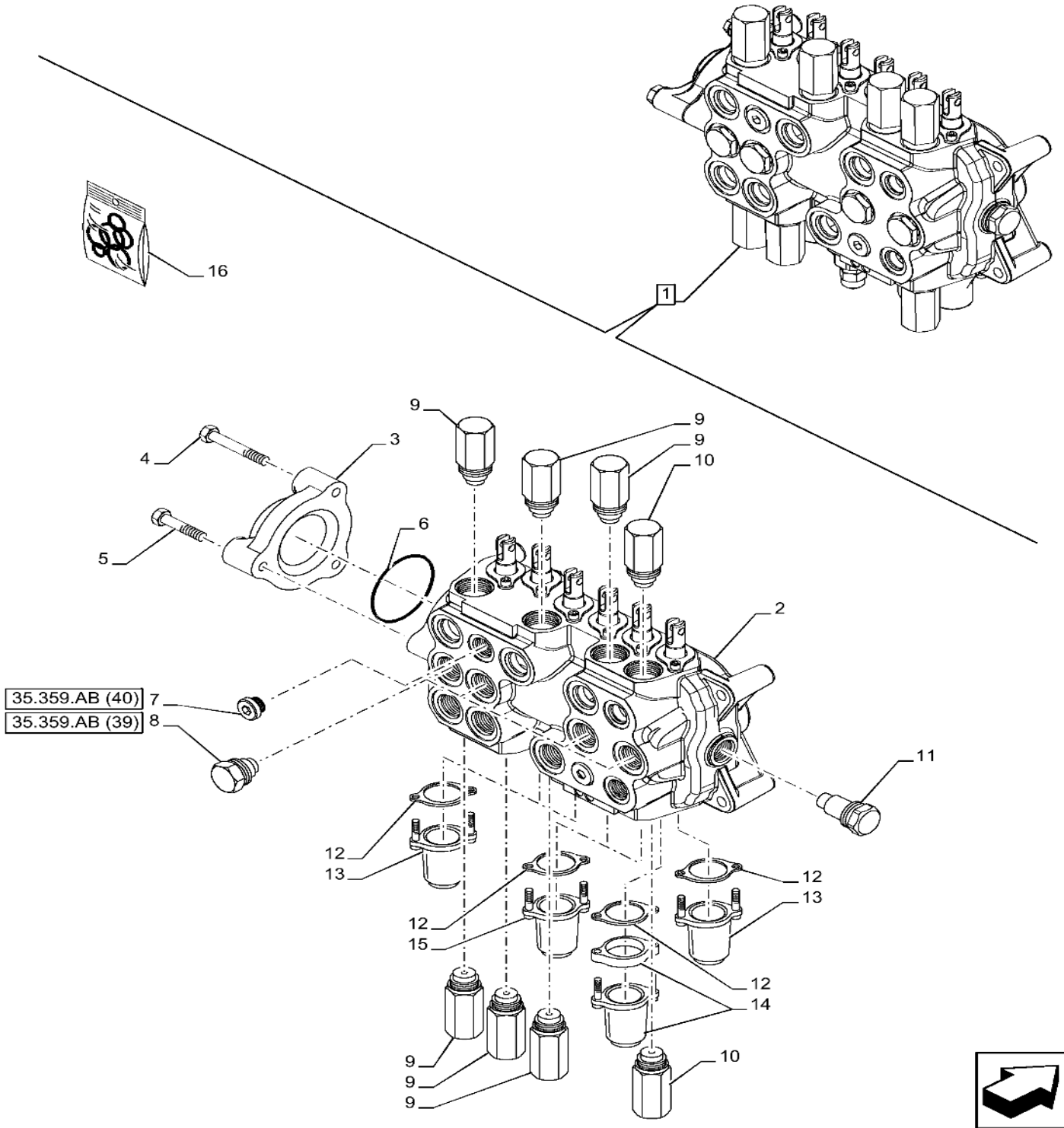


Figure is Valid with Industrial Var. 423075 Standard Dipper only when Var. 747661 or Var. 747662 Auxiliary Hydraulic/Uni-Direct for Mechanical Control or Var. X20036X No Backhoe Auxiliary Hydraulic or Var. 742369 Pilot Control W/ Auto-Up is Equipped; C7373 Before Date 11 July 2015

**35.359.AB**

45A

p1

10/201  
9

BACKHOE CONTROL VALVE, 7-SPOOL, COMPONENTS, STANDARD DIPPER, W/ FOOT SWING CONTROLS - BEGIN YR 11-JUL-2015

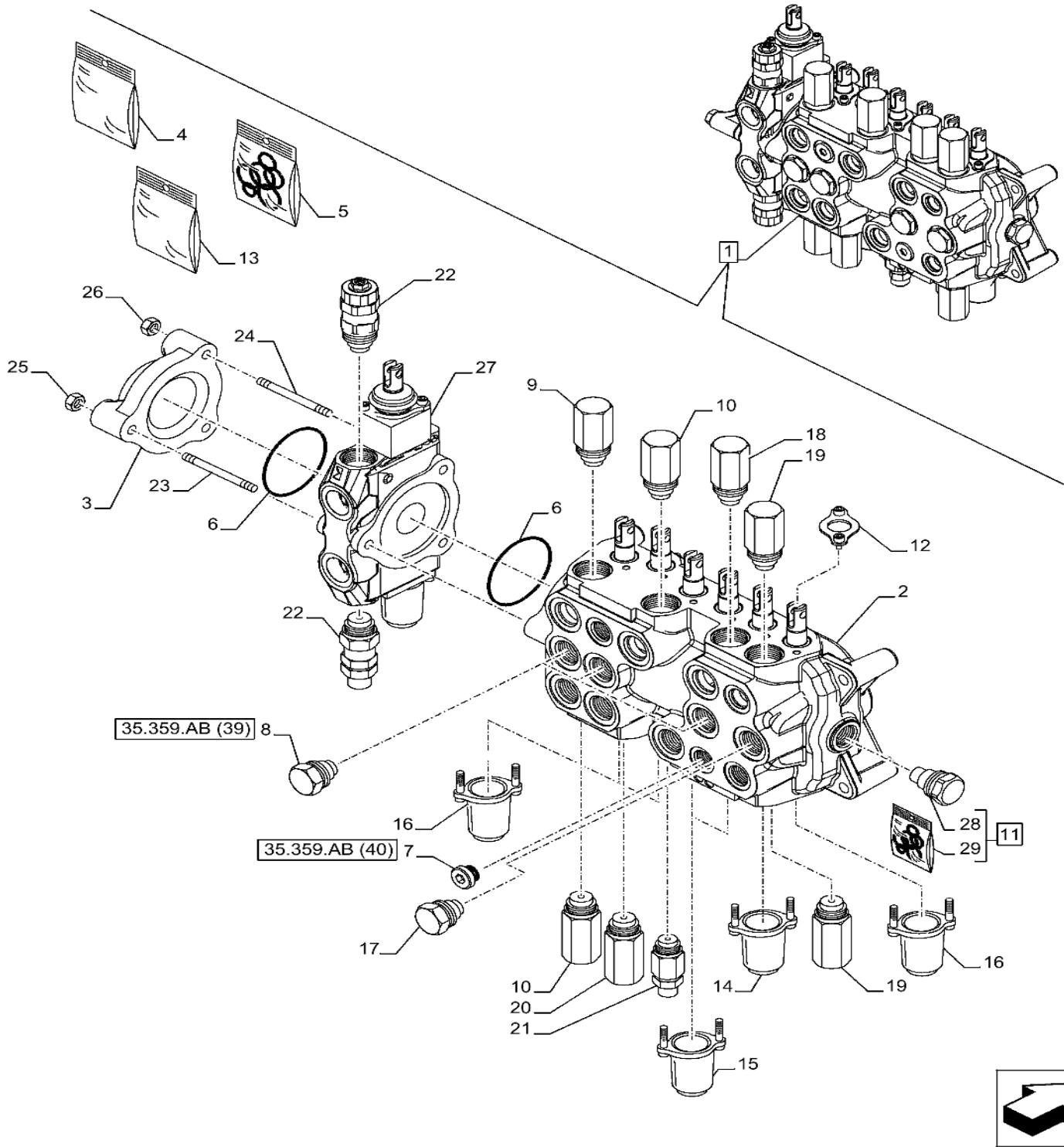


Figure is Valid with Industrial Var. 423075 Standard Dipper only when Var. 423083, 423084 Auxiliary Hydraulic, Combo Direct or Var. X20038X Foot Swing Control is Equipped; D7373 After Date 10 July 2015

35.359.AE

01

p2

10/201  
9

7-SPOOL, CONTROL VALVE LINE

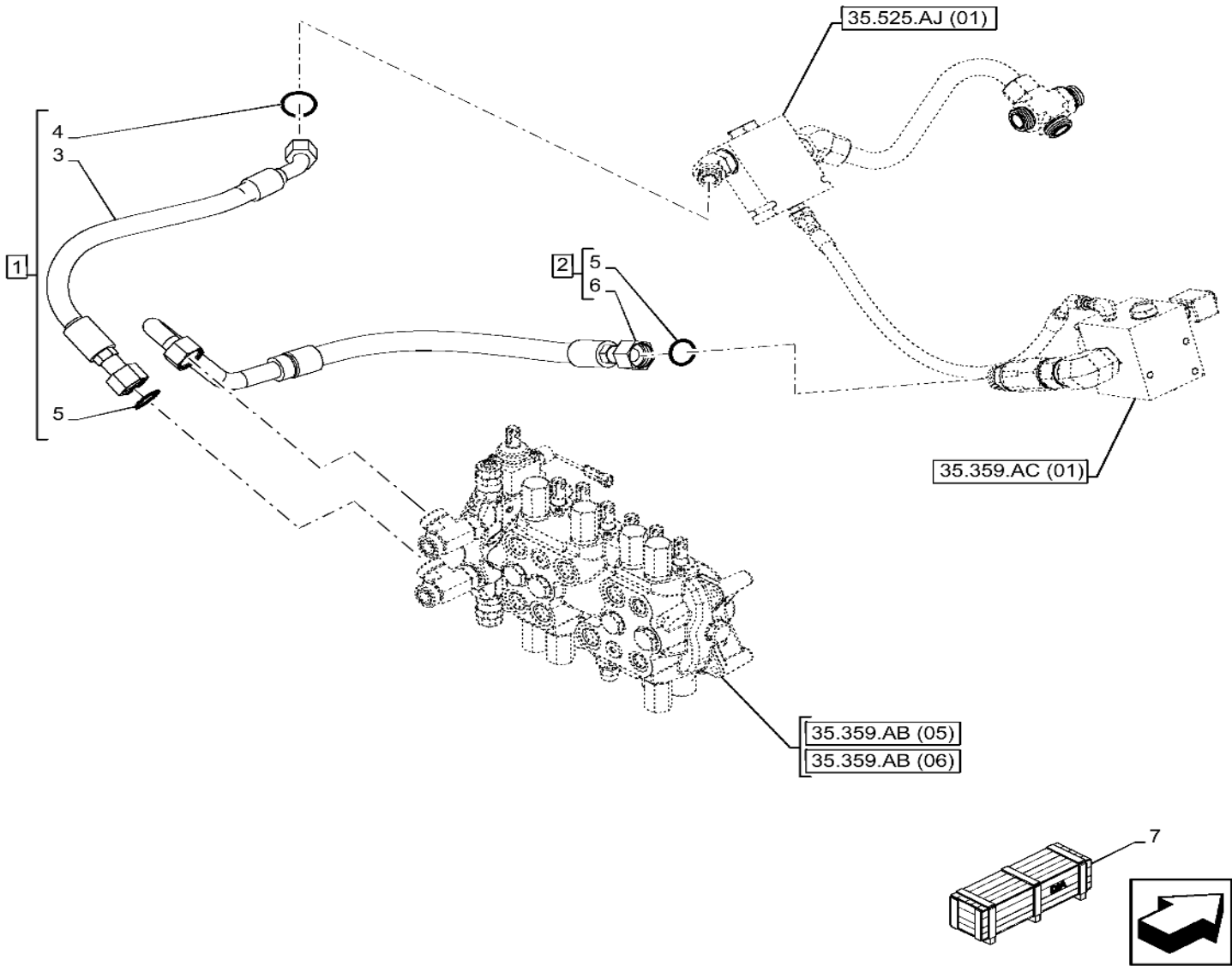


Figure is Valid with Industrial Var. 423075 Standard Dipper only when Var. 742369 2 Lever Controls or Var. X20038X Foot Swing Control or Var. 423083, 423084 Auxiliary Hydraulic, Combo Direct or Var. 747669 Pilot Control W/ Auto-Up or Var. 423078 Pilot Control W/ Heavy Lift is Equipped.

**35.359.AE**

11

p1

10/201  
9

VAR - 747864 - LOADER, CONTROL VALVE LINE, FILTER

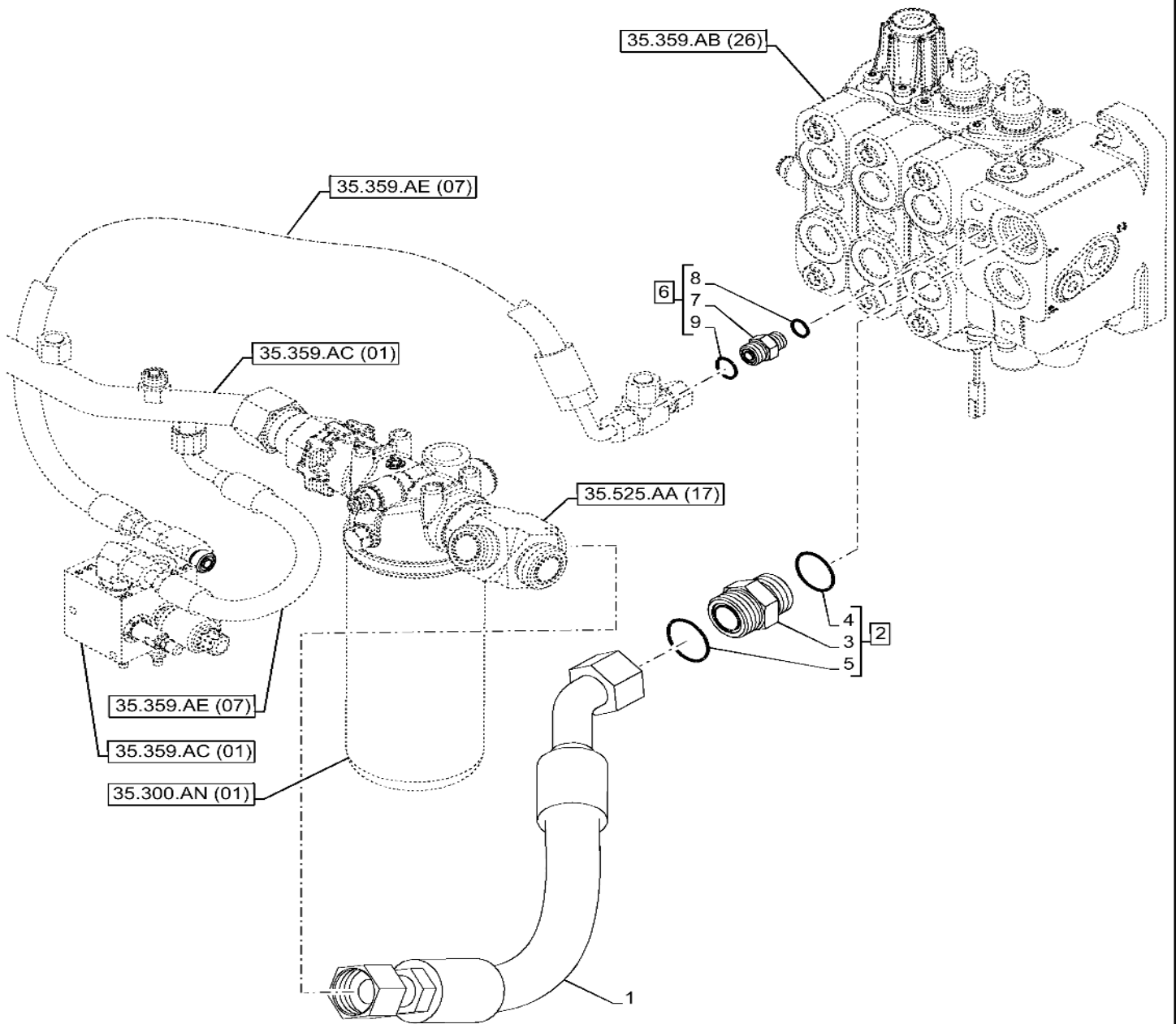


Figure is Valid with Industrial Var. 747864 and Option X20137X

**35.359.AE**

23

p1

10/201  
9

LOADER, CONTROL VALVE LINE, BACKHOE CONTROL VALVE

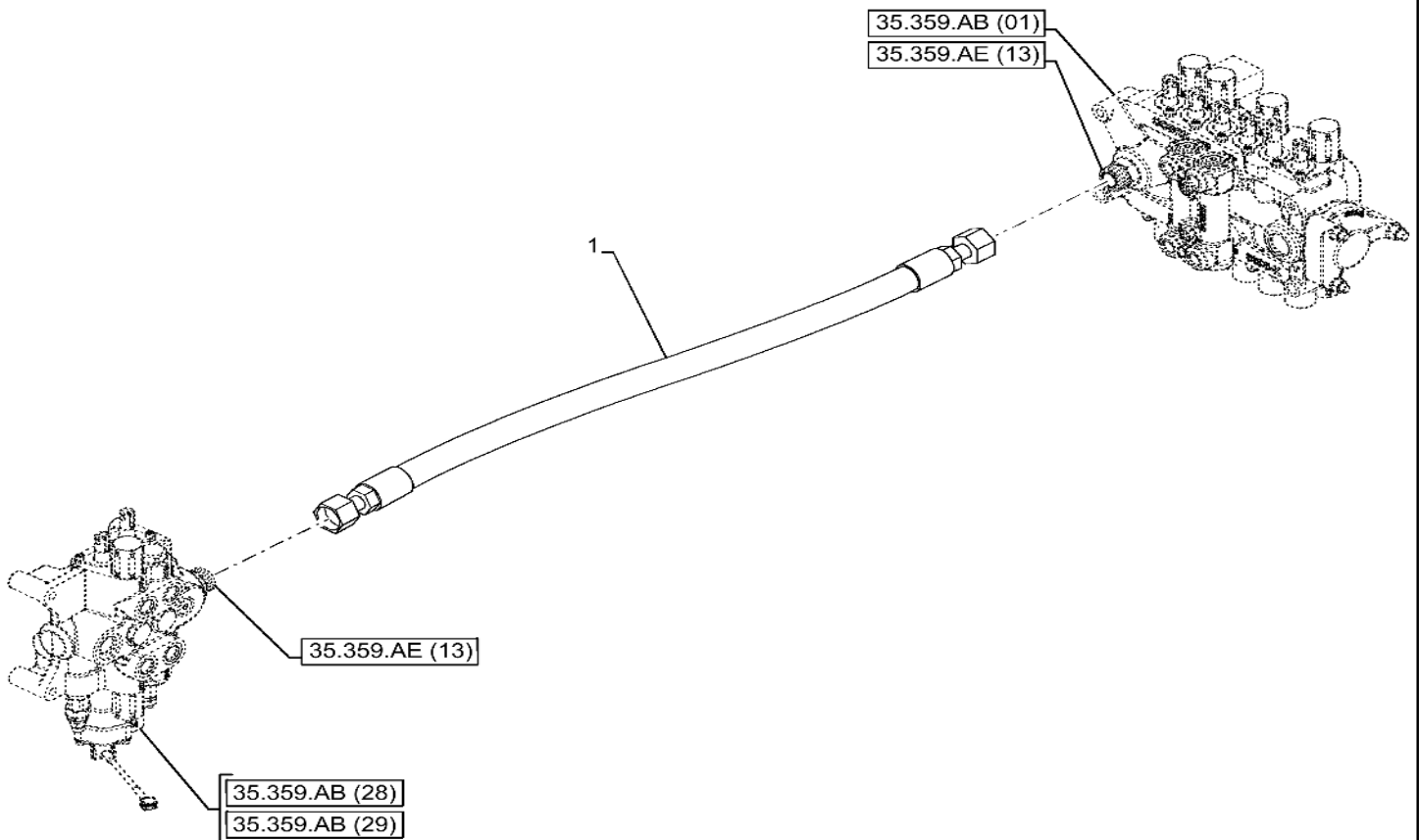


Figure is Valid with Industrial Var. 747539, 747657, 747862 Bucket 82 and 93 only when Var. 742242 No Loader Bucket or Var. 742369 Pilot Controls with Auto-Up or Var. X20036X No Backhoe Auxiliary Hydraulics or Var. X20038X Standard Foot Swing Controls is Equipped.

35.359.AF

10

p1

10/201  
9

BACKHOE CONTROL VALVE, 8-SPOOL, MECHANICAL CONTROLS

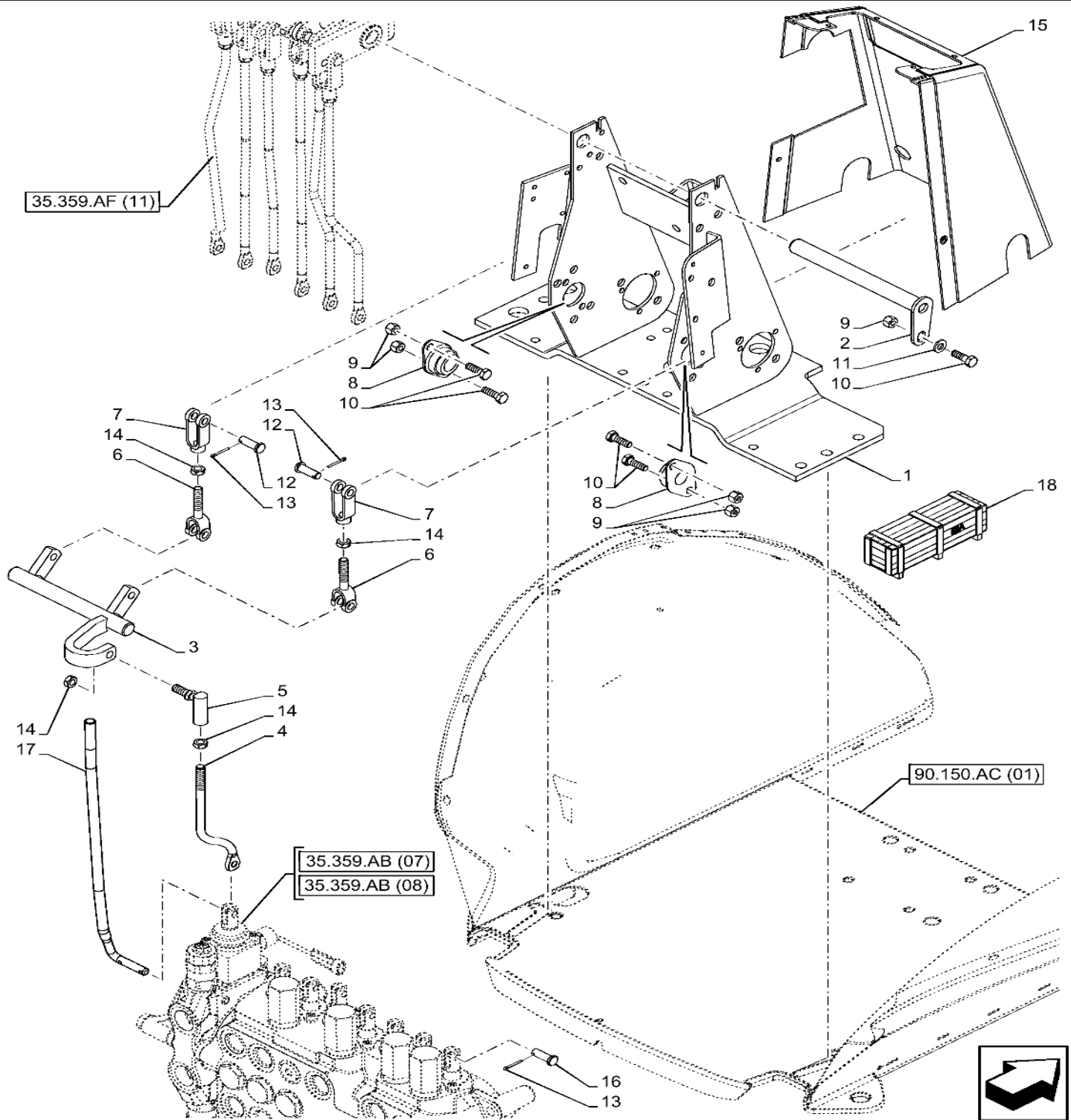


Figure is Valid with Industrial Var. 423076 Extendable Dipper only when Var. 423083, 423084 Auxiliary Hydraulic, Combo Direct or Var. X20038X Foot Swing Controls is Equipped.

**35.525.AA**

08

p1

10/201  
9

VAR - 423083, 423084 - AUXILIARY HYDRAULIC, LINES

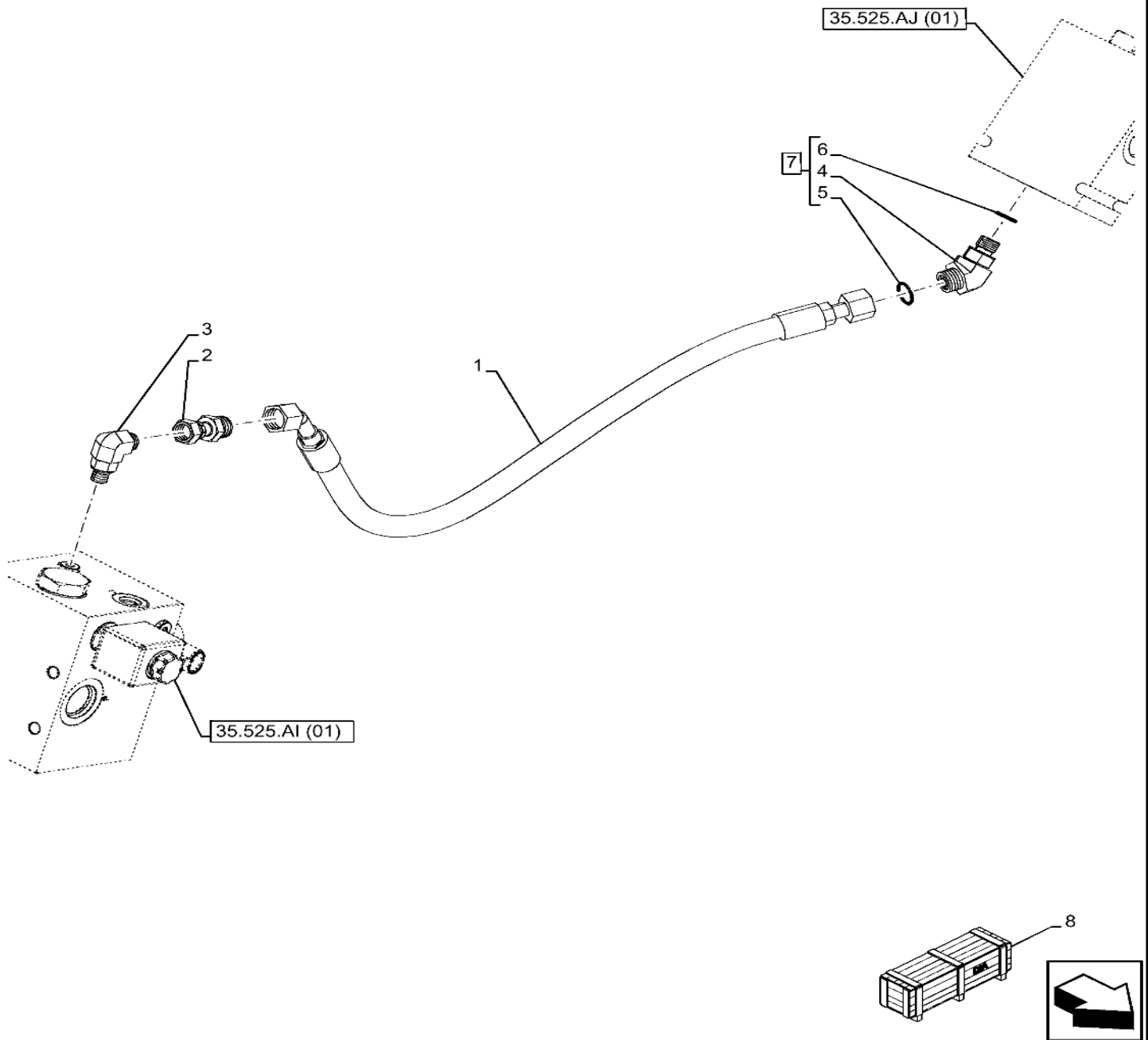


Figure is Valid with Industrial Var. 423083, 423084

**35.525.AA**

15

p1

10/201  
9

VAR - 747662 - AUXILIARY HYDRAULIC, LINES

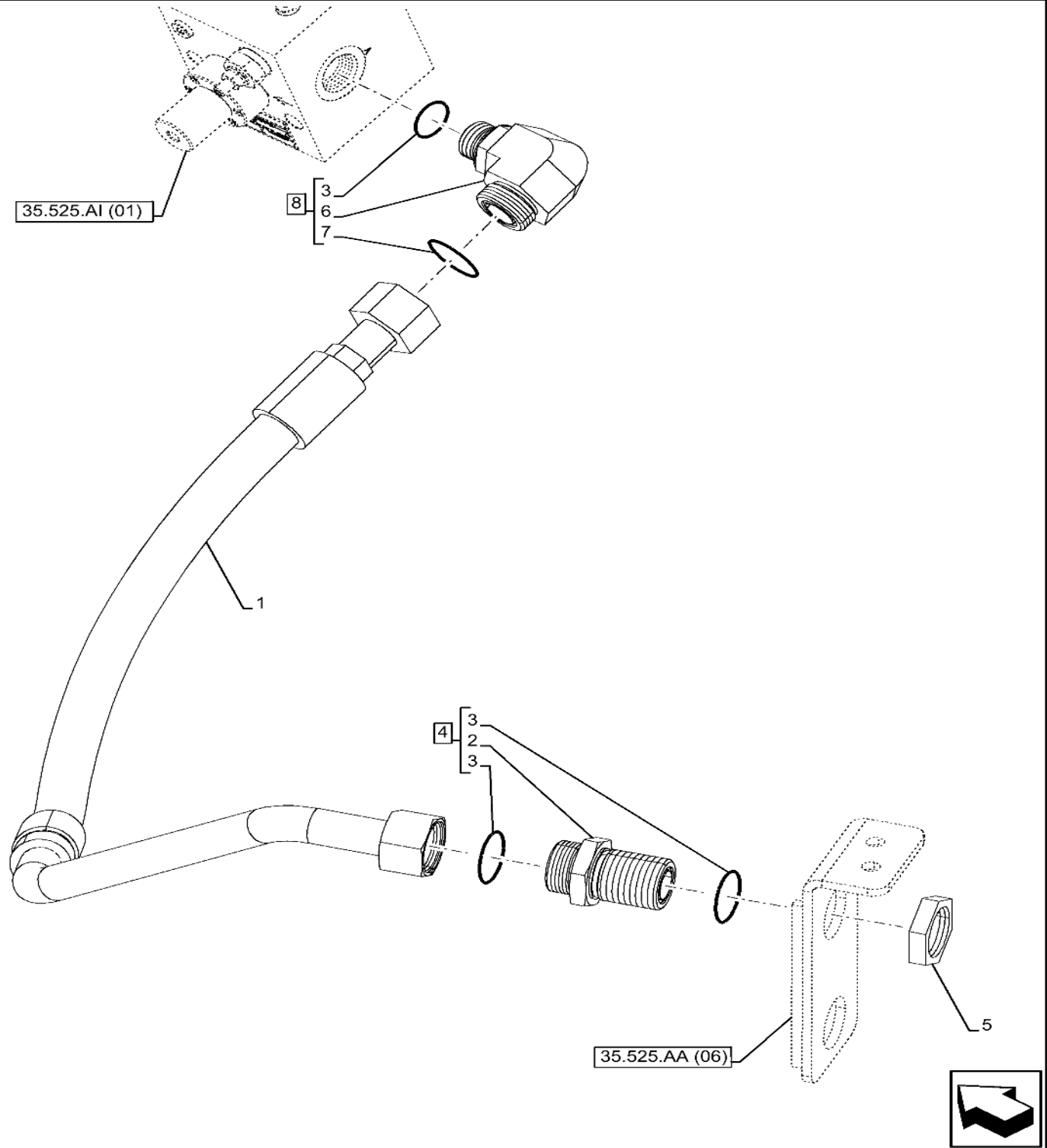


Figure is Valid with Industrial Var. 747662

QUICK COUPLER, PILOT CONTROLS, LINES

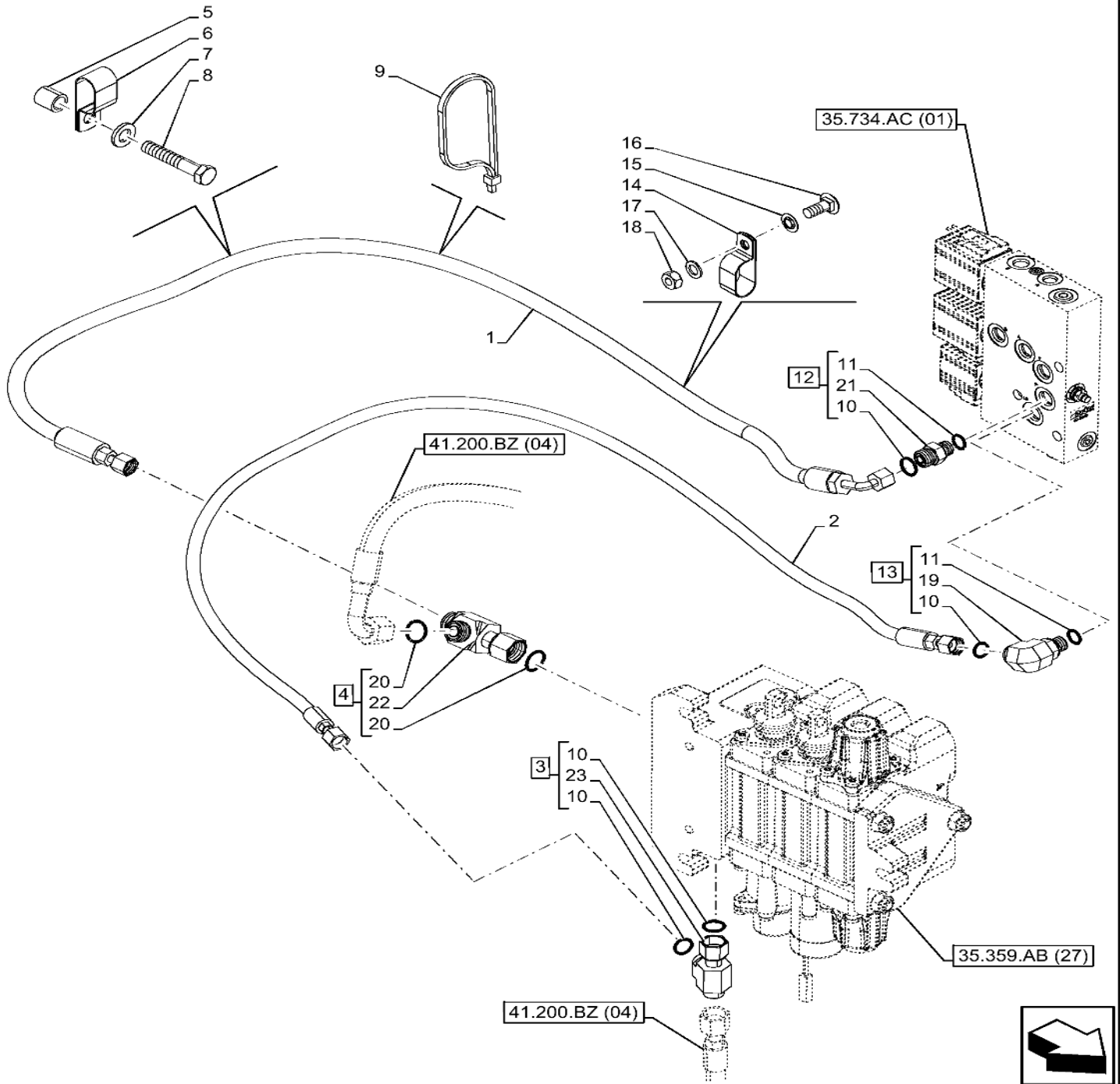


Figure is Valid with Industrial Var. 423078 Pilot Controls W/ Heavy Lift only when Var. 423048 Links Only or Var. 442017 Coupler, Hydraulic Backhoe Bucket or Var. X20039X No Optional Backhoe Coupler or Var. 423049 Tool Coupler - Hydraulic or Var. 742242 No Loader Bucket or Var. 747539 Bucket 1.25 YD - 93 IN LL or Var. 747862 Bucket 1 YD - 82 IN HD LL or Var. 747863 Bucket 1 YD - 82 IN 4-IN-1 or Var. 423003 Bucket 1.25 YD - 93 IN HD LL or Var. 423004 Bucket 1.5 YD - 96 IN LL is Equipped.

**35.525.AJ**

02

p2

10/201  
9

VAR - 423083, 423084 - REMOTE CONTROL VALVE

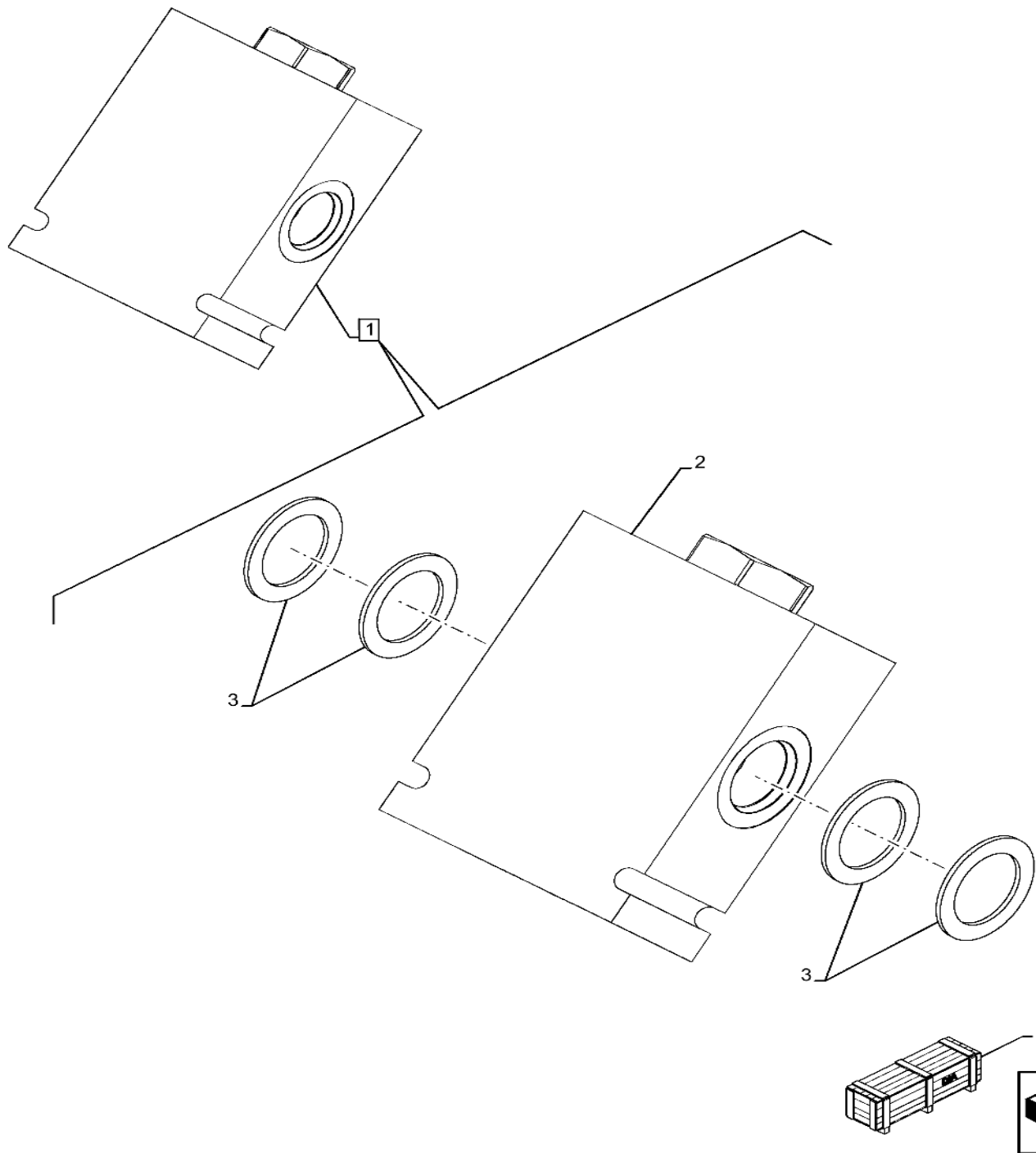


Figure is Valid with Industrial Var. 423083, 423084

**35.701.AX**

05

p1

10/201  
9

VAR - 747864 - LOADER, CYLINDER, LINE

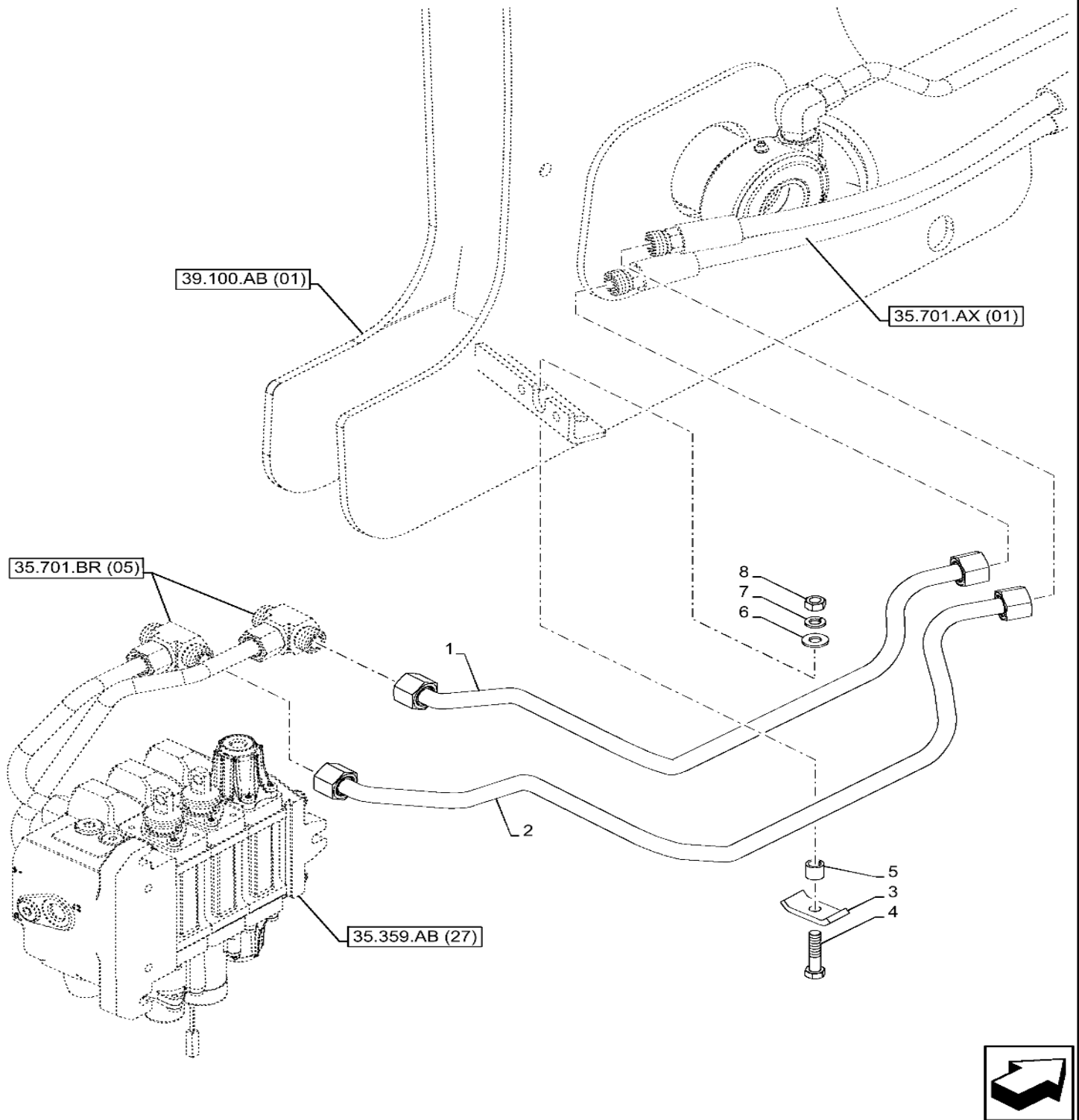


Figure is Valid with Industrial Var. 747864 and Option X20137X

35.701.BR

07

p1

10/201  
9

VAR - 423090, 423098 - RIDE CONTROL, VALVE, HYDRAULIC LINE, TANK - END YR 28-OCT-2016

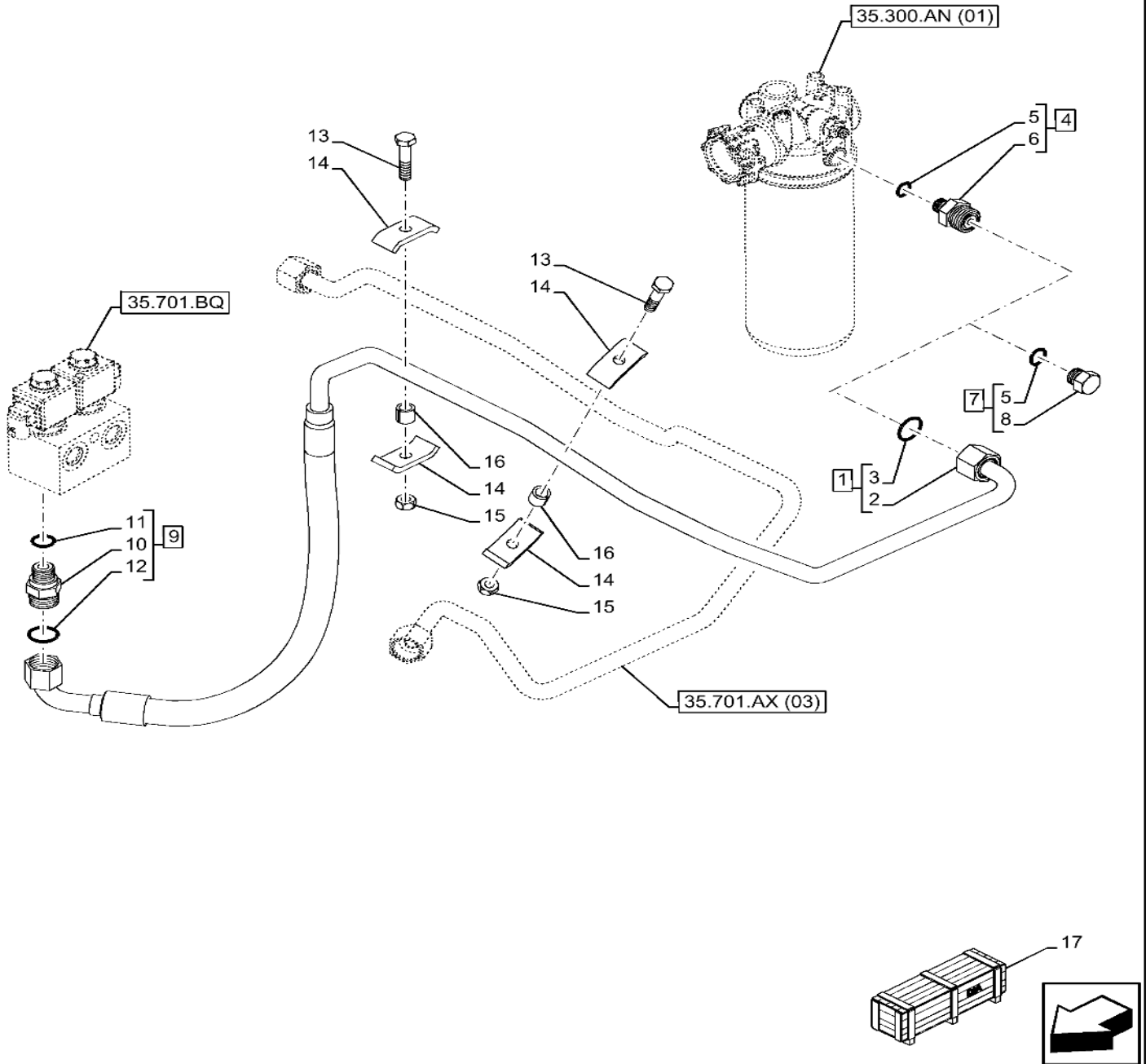


Figure is Valid with Industrial Var. 423090, 423098; C7452 Before Date 29 October 2016

**35.723.AA**

03

p1

10/201  
9

VAR - 742433, 747863 - LOADER BUCKET, CYLINDER

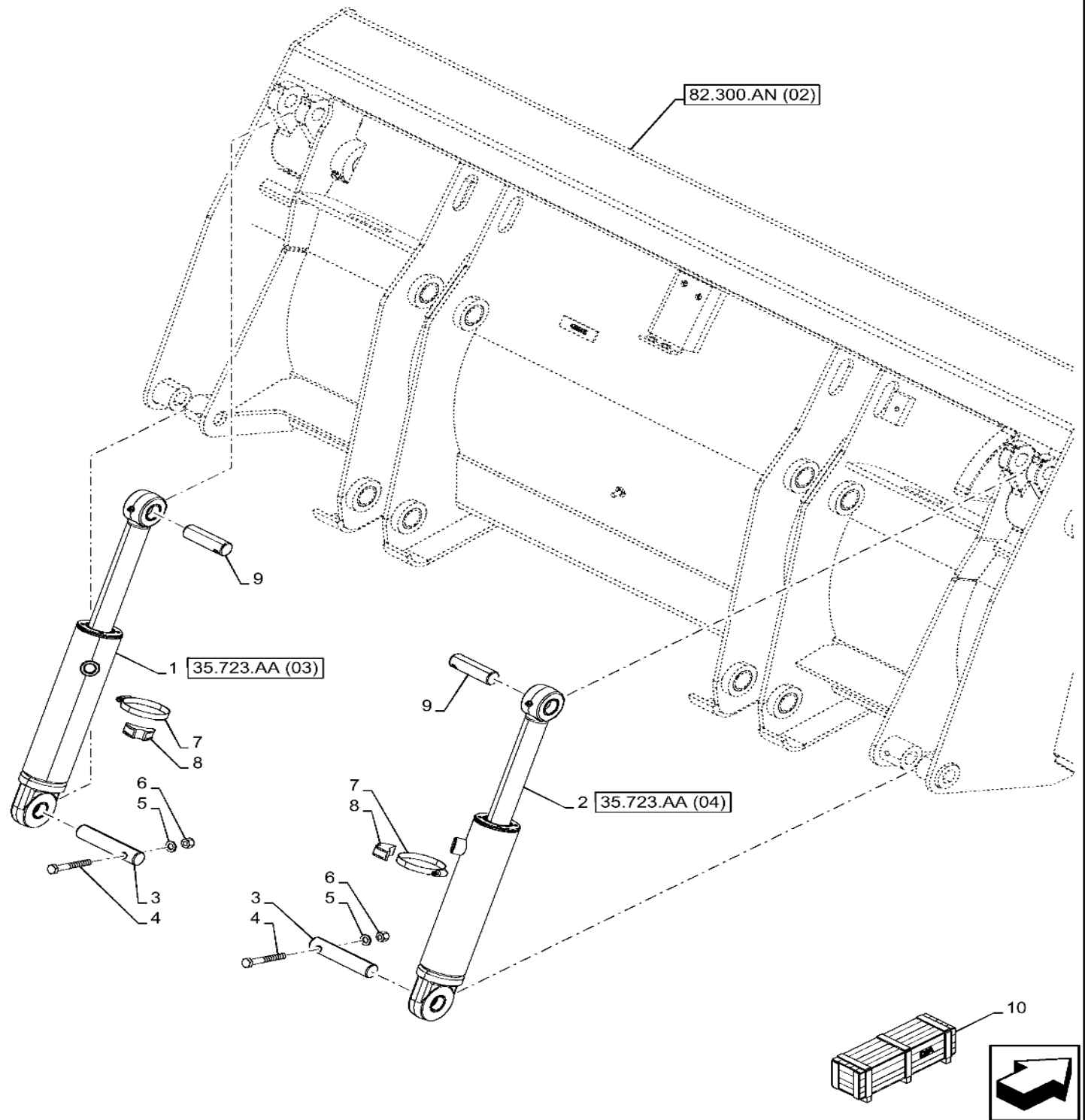


Figure is Valid with Industrial Var. 742433, 747863; Part Included in 4 in 1 Buckets 47613231, 47613232

35.723.AB

08

p1

10/201  
9

LOADER BUCKET CYLINDER LINES

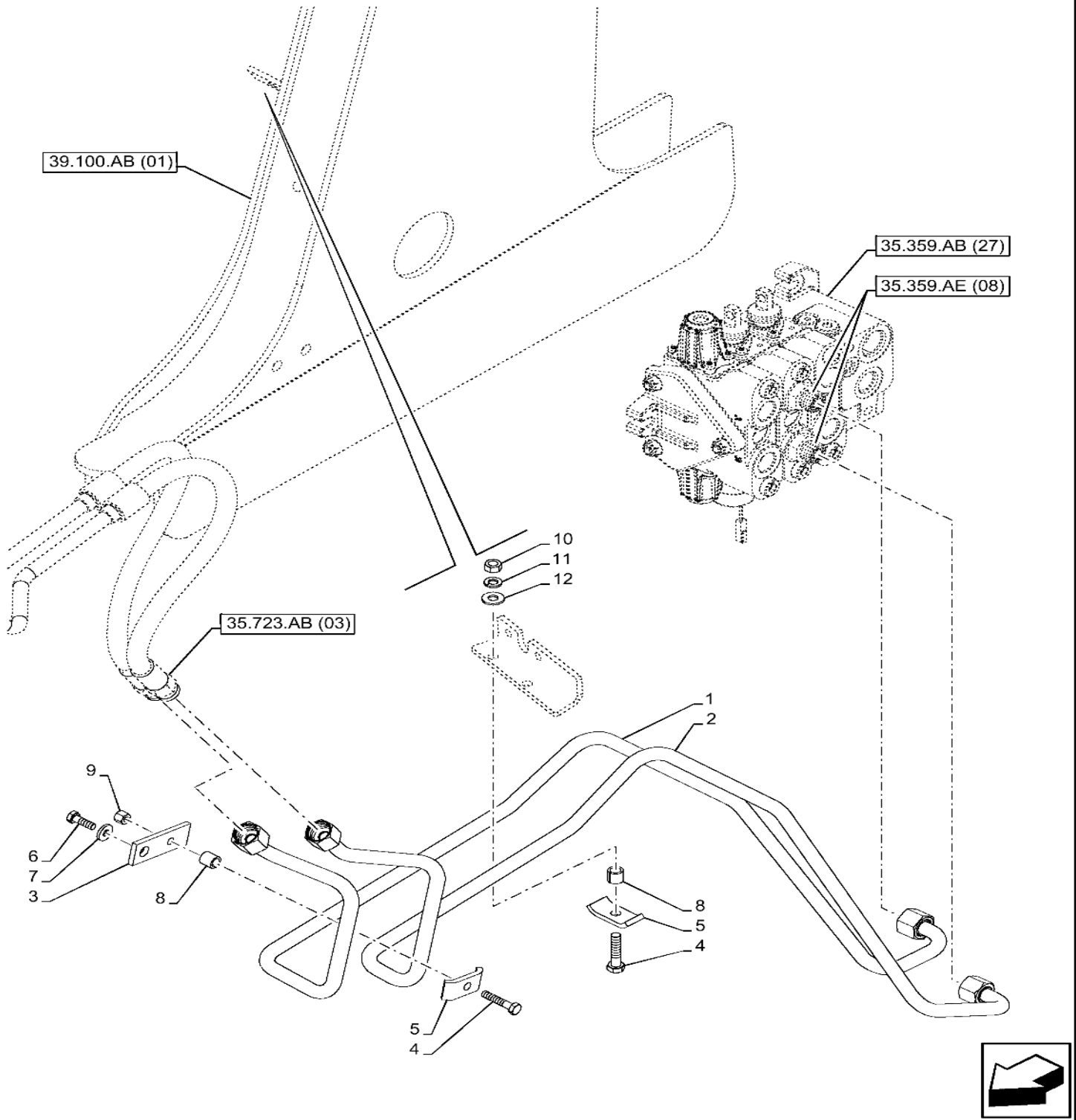


Figure is Valid with Option X20137X

35.726.AE

02

p1

10/201  
9

6-SPOOL, 7-SPOOL, PILOT CONTROLS, JOYSTICK, LH

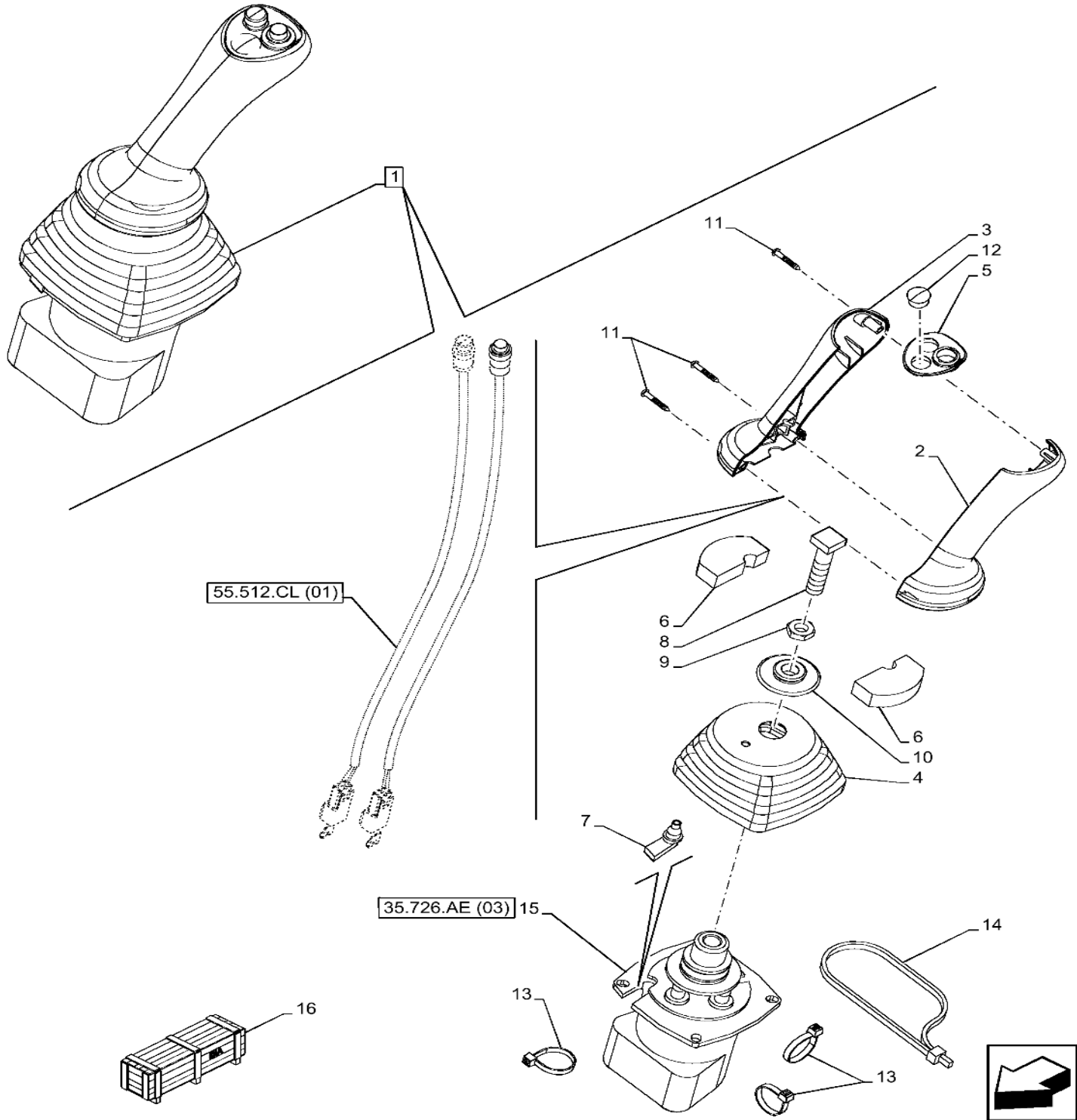


Figure is Valid with Industrial Var. 423075, 423076 Standard and Extendable Dipper only when Var. 423078 Pilot Controls W/ Heavy Lift or Var. 747662 Auxiliary Hydraulic/Uni-Direct for Pilot is Equipped.

35.726.AU

01

p2

10/201  
9

STANDARD DIPPER, AUXILIARY HYDRAULIC

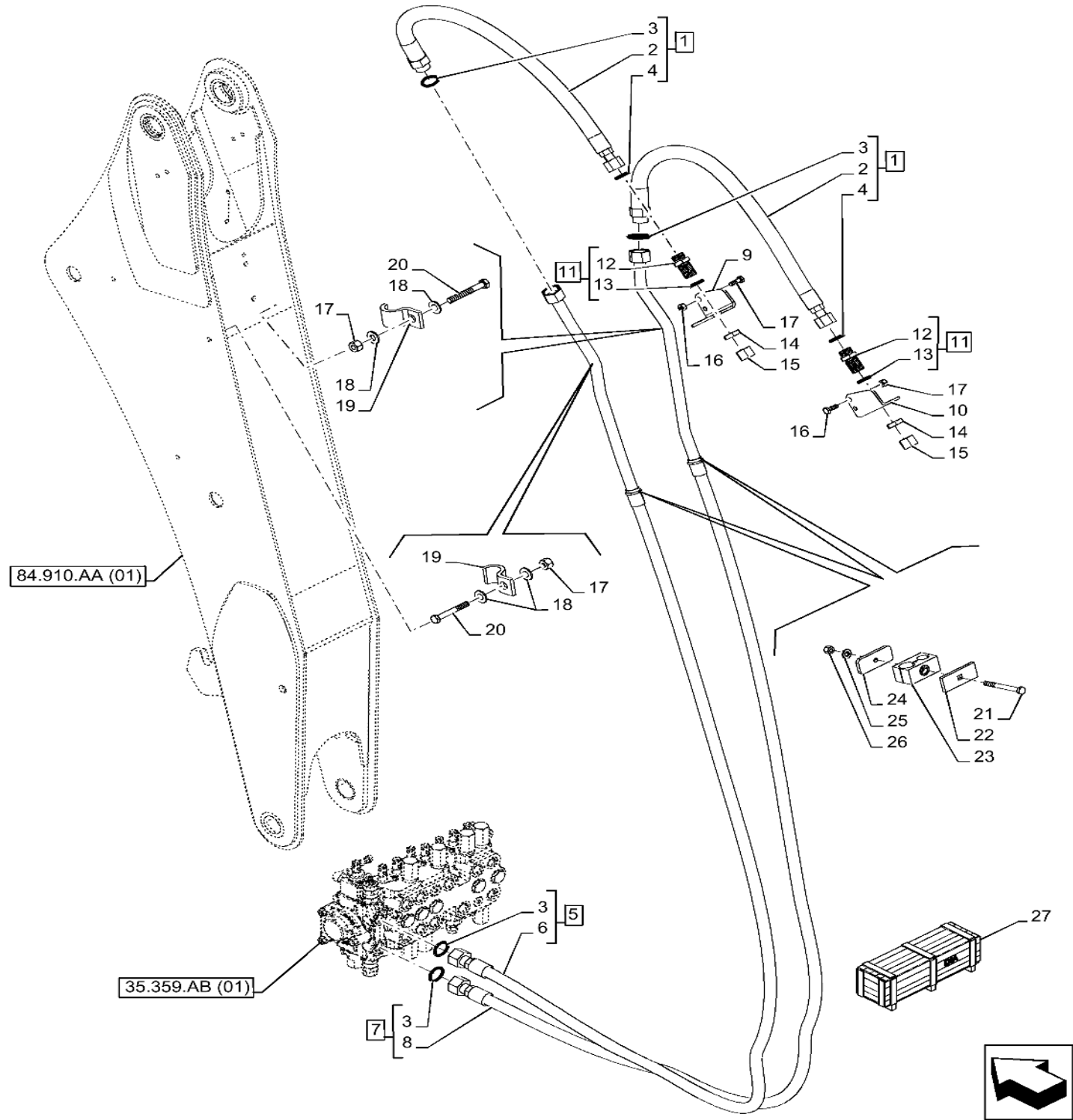


Figure is Valid with Industrial Var. 423075 Standard Dipper only when Var. 747661, 747662, 747663, 747664 Auxiliary Hydraulic is Equipped

**35.734.AA**

02

p1

10/201  
9

VAR - 442017 - QUICK COUPLER, CYLINDER, COMPONENTS

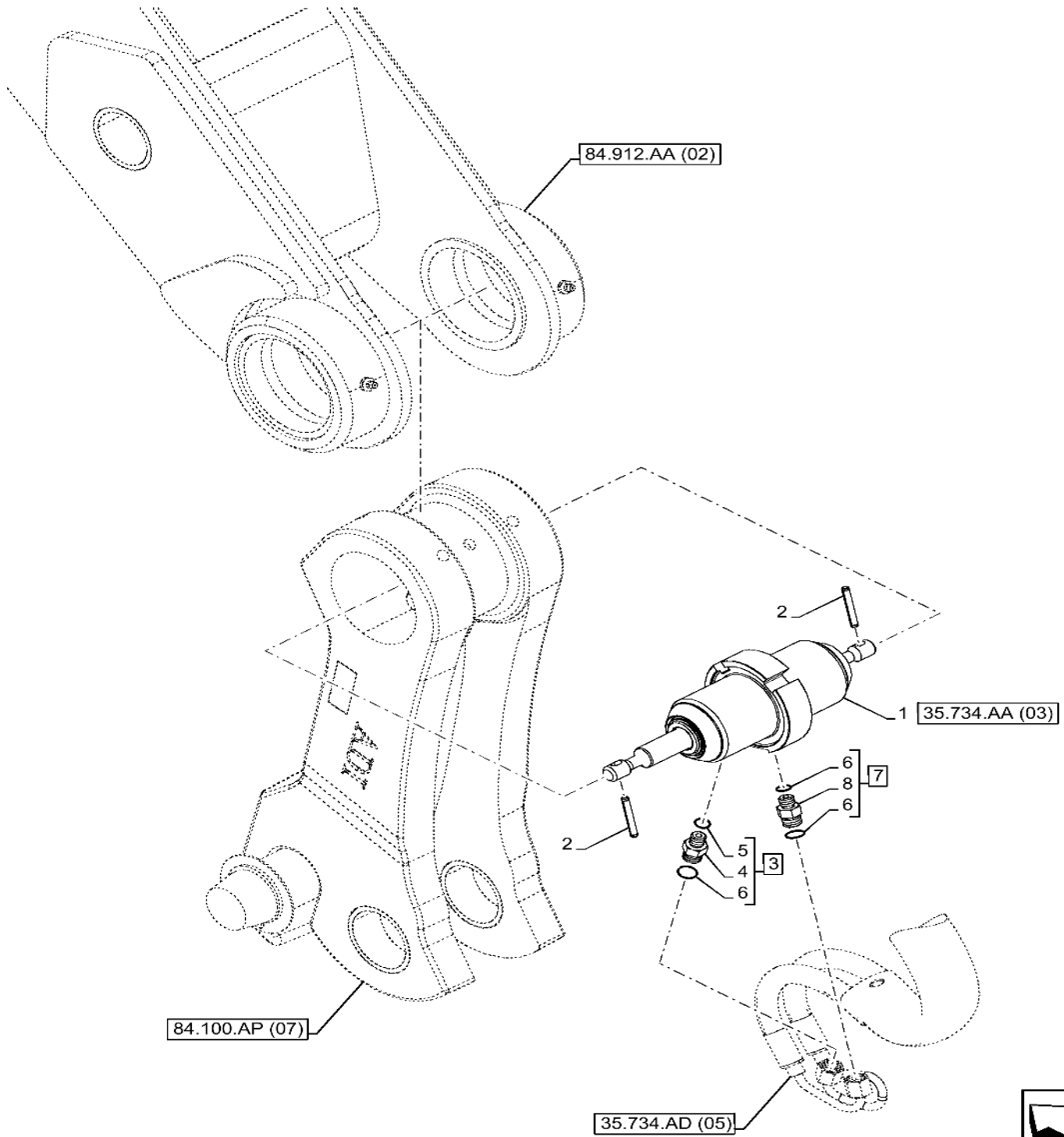


Figure is Valid with Industrial Var. 442017

35.734.AD

06

p1

10/201  
9

QUICK COUPLER, VALVE, HYDRAULIC LINE

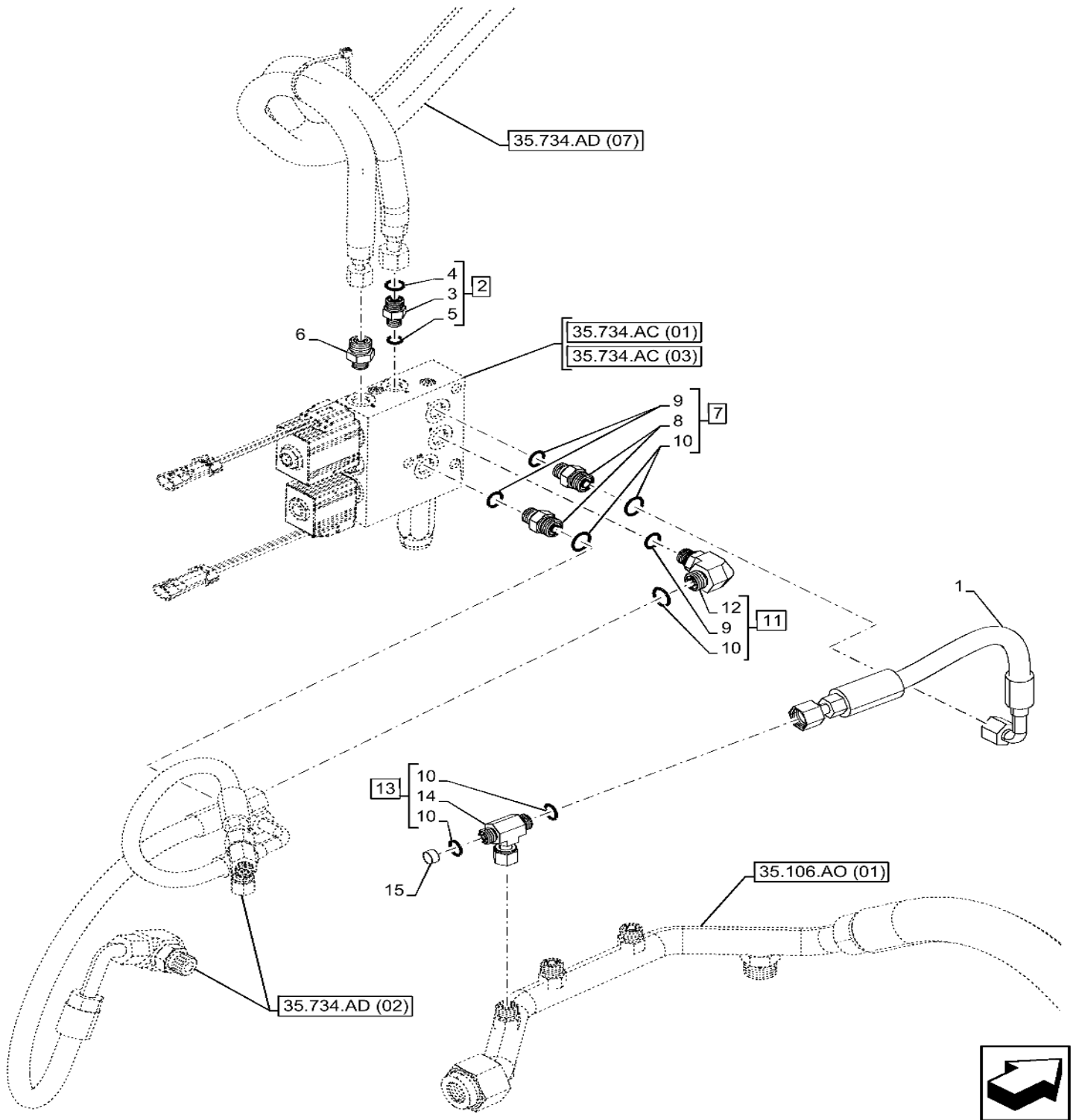


Figure is Valid with Industrial Var. Backhoe Mechanical Quick Coupler and Var. 423049 Tool Coupler Hydraulic only when Var. X20039X, 442017, 742242, 747539, 747862, 747863 No backhoe Quick Coupler or no Loadert Bucket or Var. 423048 Links Only is Equipped.



VAR - 742369 - BOOM SWING, MECHANICAL, CONTROLS, DAMPING VALVE, LINE

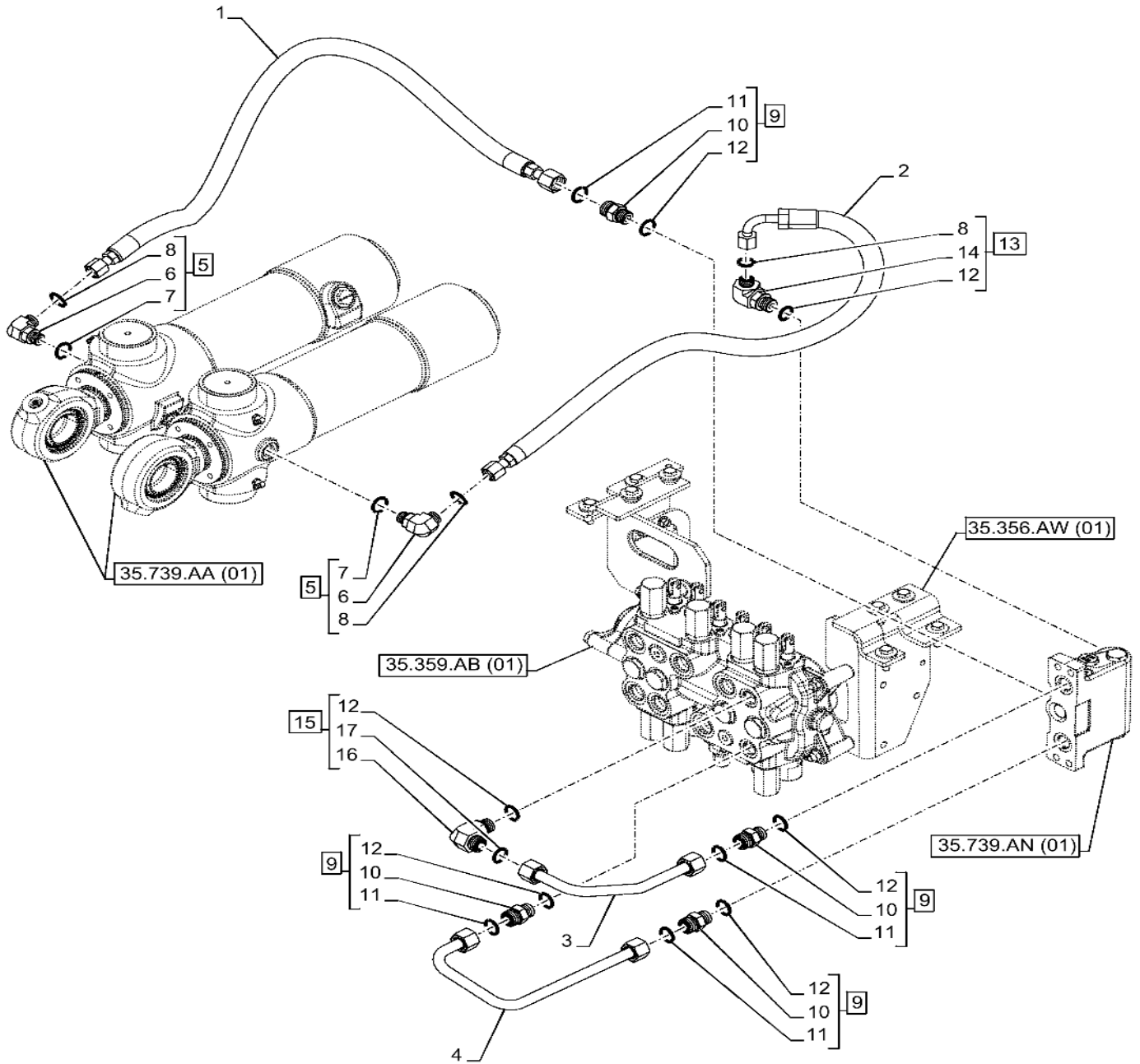


Figure is Valid with Industrial Var. 742369

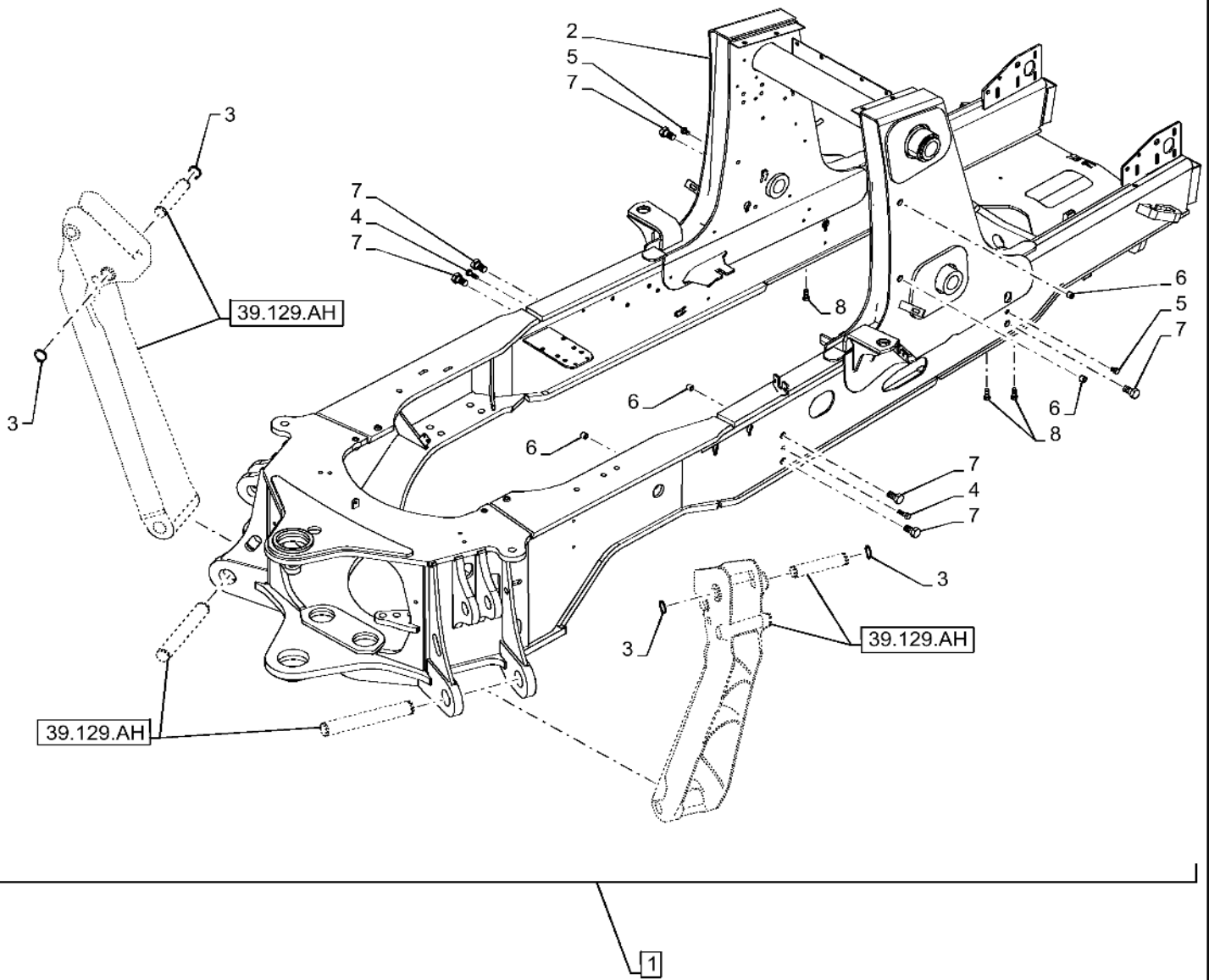
39.100.AB

02

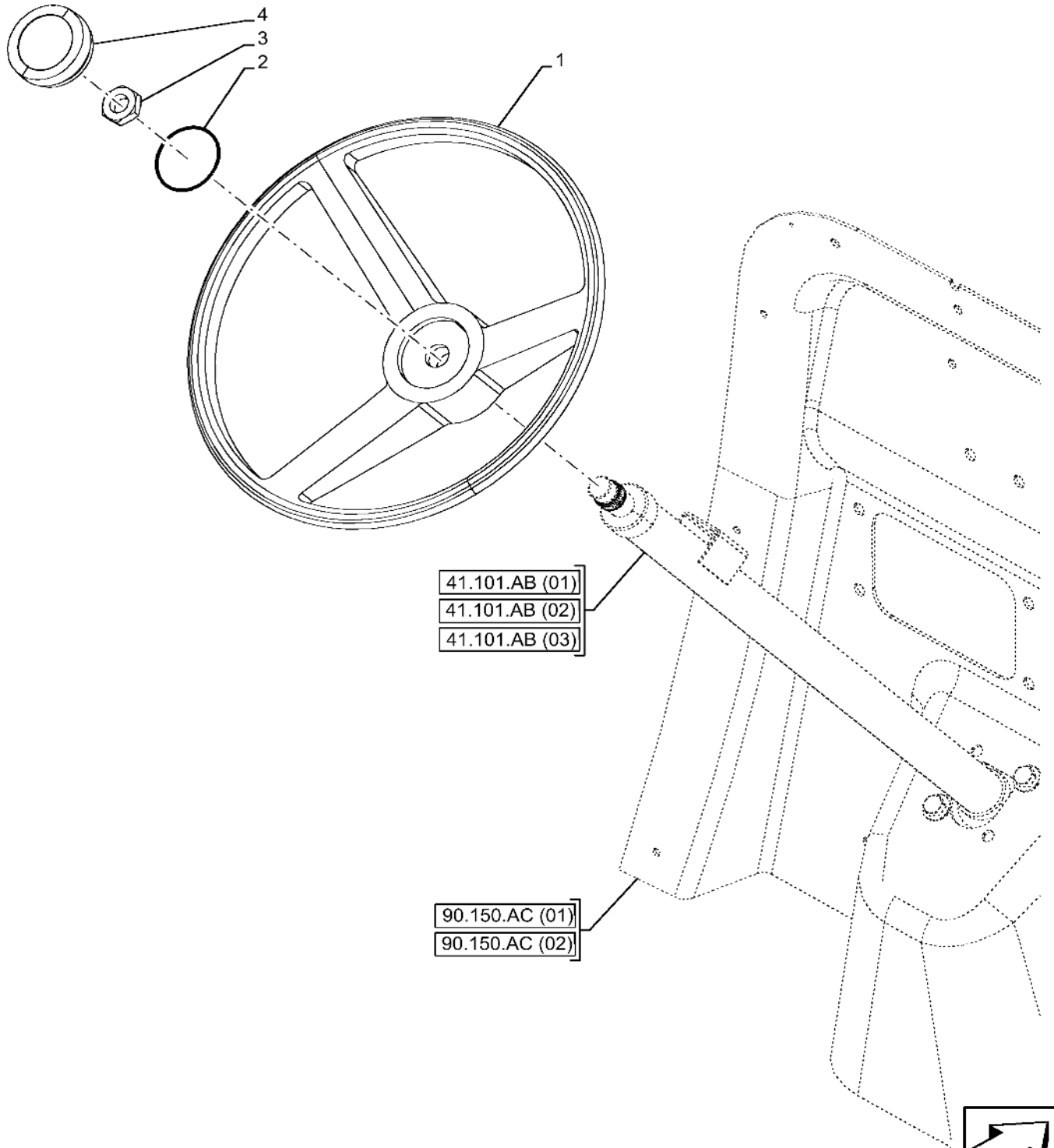
p1

10/201  
9

MAIN FRAME



STEERING WHEEL



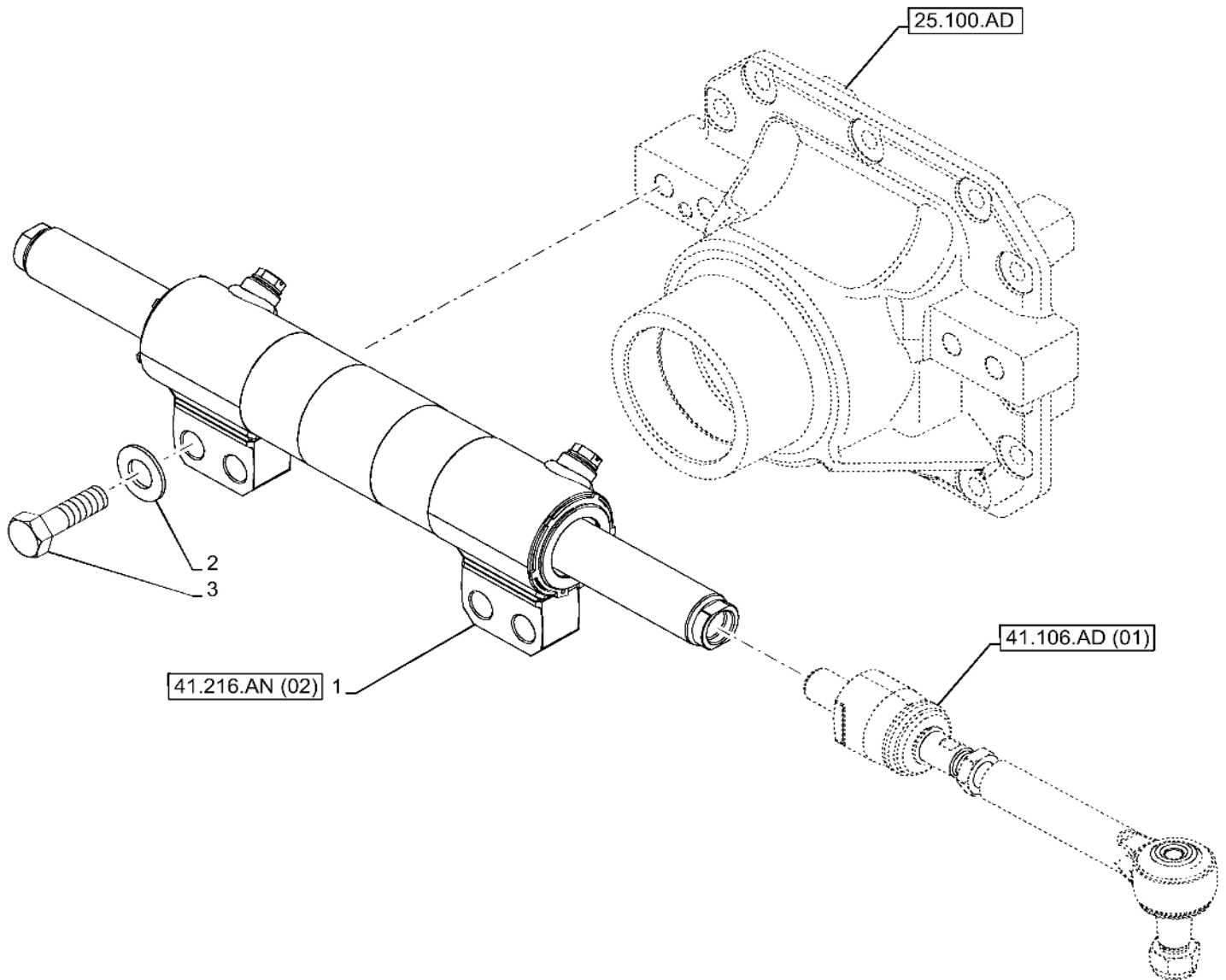
41.216.AN

01

p1

10/201  
9

FRONT AXLE, STEERING CYLINDER



CLICK HERE TO **DOWNLOAD** THE COMPLETE MANUAL

- Thank you very much for reading the preview of the manual.
- You can download the complete manual from: [www.heydownloads.com](http://www.heydownloads.com) by clicking the link below



- Please note: If there is no response to **CLICKING** the link, please download this PDF first and then click on it.

CLICK HERE TO **DOWNLOAD** THE COMPLETE MANUAL

50.100.AQ

01

p1

10/201  
9

VAR - 747853, 747854, 747855 - CAB, HEATER, HOSE

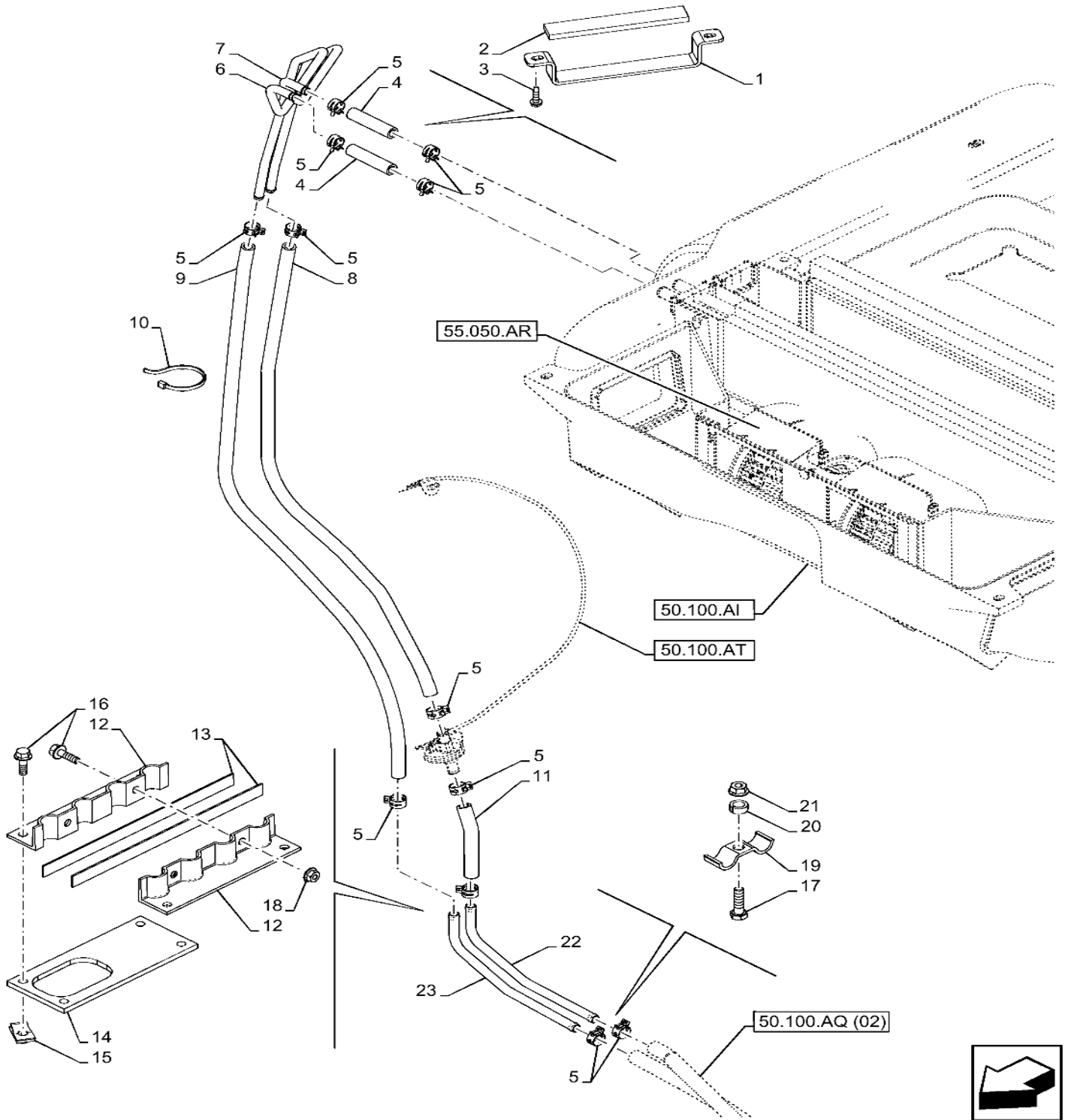


Figure is Valid with Industrial Var. 747853, 747854, 747855

---

## SECTION INDEX

### ELECTRICAL SYSTEMS

---

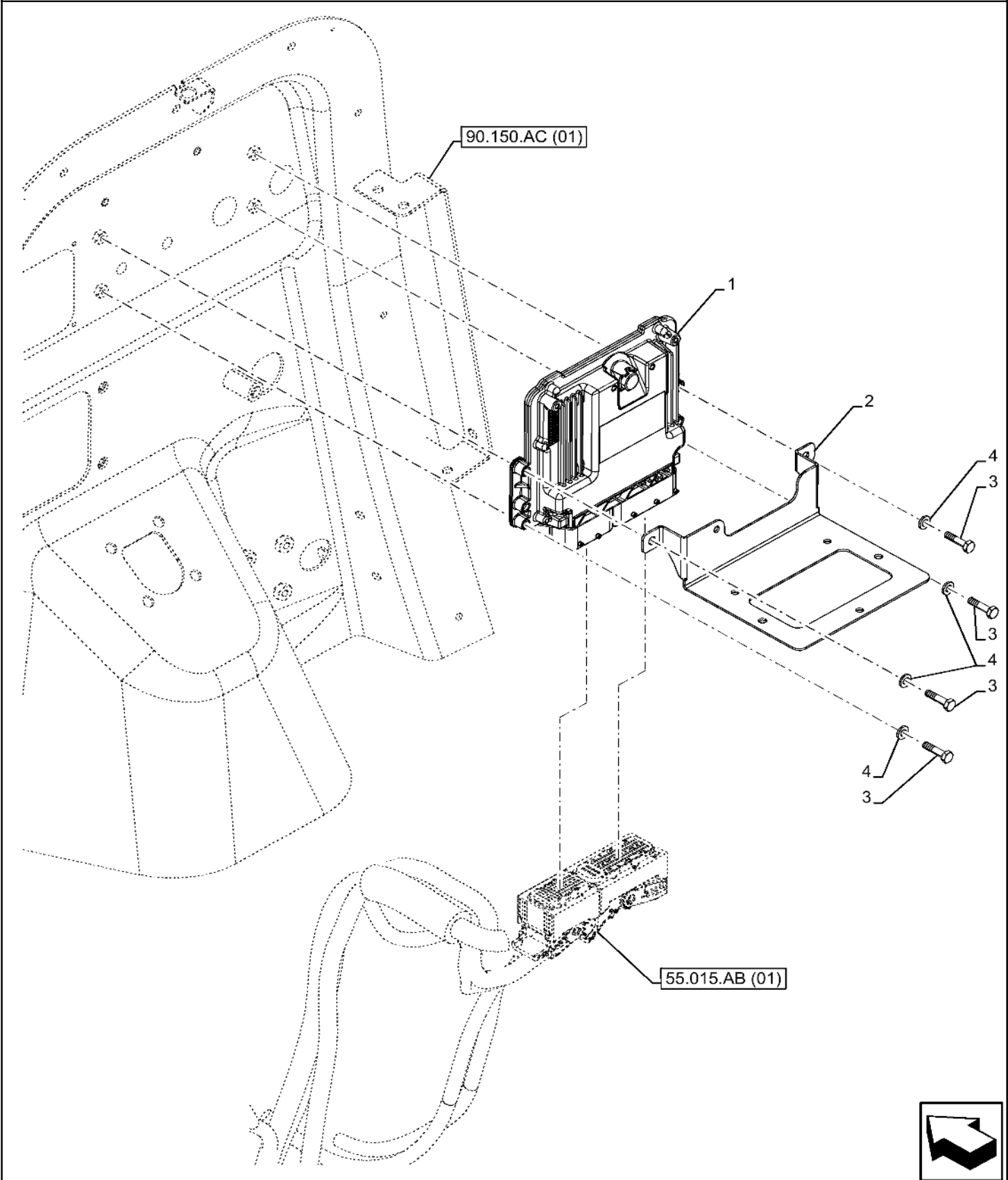
55.000.00	01	SECTION INDEX - ELECTRICAL SYSTEMS
55.000.00	02	SECTION INDEX - ELECTRICAL SYSTEMS
55.000.00	03	SECTION INDEX - ELECTRICAL SYSTEMS
55.000.00	04	SECTION INDEX - ELECTRICAL SYSTEMS
55.000.00	05	SECTION INDEX - ELECTRICAL SYSTEMS
55.000.00	06	SECTION INDEX - ELECTRICAL SYSTEMS
55.000.00	07	SECTION INDEX - ELECTRICAL SYSTEMS
55.010.AQ		FUEL FILTER/WATER SEPARATOR, SENSOR
55.011.AC		FUEL TANK, SENDER UNIT
55.014.AC		AIR CLEANER, TEMPERATURE SENDER, AIR RESTRICTION INDICATOR
55.015.AA		ENGINE, ELECTRONIC CONTROL UNIT
55.015.AB	01	ENGINE, WIRE HARNESS
55.015.AB	02	ENGINE, WIRE HARNESS
55.015.AB	03	ENGINE, WIRE HARNESS, RH
55.015.AB	04	ENGINE, WIRE HARNESS, LH
55.020.AB	01	VAR - 423062 - TRANSMISSION, POWERSHIFT, SPEED SENSOR, 4WD
55.020.AB	02	VAR - 423060, 423061 - TRANSMISSION, SEMI-POWERSHIFT, SPEED SENSOR
55.020.AB	03	SPEED SENSOR, AUTO RIDE CONTROL, STANDARD, 4WD, TRANSMISSION
55.021.AG	01	VAR - 423062 - SEMI-POWERSHIFT TRANSMISSION, PRESSURE SWITCH
55.021.AG	02	VAR - 423060 - 423061 - TRANSMISSION, SEMI-POWERSHIFT, PRESSURE SENSOR
55.022.AB	01	TRANSMISSION, TEMPERATURE SWITCH
55.022.AB	02	VAR - 423062 - TRANSMISSION, POWERSHIFT, TEMPERATURE SWITCH, 4WD
55.022.AB	03	VAR - 423060, 423061 - TRANSMISSION, SEMI-POWERSHIFT, TEMPERATURE SWITCH
55.023.AA		VAR - 423060 - 423061 - TRANSMISSION, SEMI-POWERSHIFT, SENSOR
55.024.AA		VAR - 423060 - 423061 - TRANSMISSION, SEMI-POWERSHIFT, CONTROL VALVE, WIRE HARNESS
55.024.AE	01	VAR - 423062 - TRANSMISSION, POWERSHIFT, ELECTRONIC CONTROLS, MODULE
55.024.AE	02	VAR - 423060, 423061 - TRANSMISSION, SEMI-POWERSHIFT, ELECTRONIC CONTROLS, MODULE
55.024.AG		VAR - 423062 - TRANSMISSION, POWERSHIFT, CONTROL VALVE, HARNESS, 4WD
55.024.AH	01	VAR - 423058, 423059 - TRANSMISSION, POWERSHUTTLE, SOLENOID VALVE
55.024.AH	02	VAR - 423059 - TRANSMISSION, POWERSHUTTLE, SOLENOID VALVE
55.024.AH	03	VAR - 423062 - TRANSMISSION, POWERSHIFT, SOLENOID VALVE, 4WD
55.031.AD		VAR - 423058, 423059, 423060, 423061, 423062 - TRANSMISSION, PARKING BRAKE, SOLENOID
55.031.AE	01	VAR - 423058, 423059, 423060, 423061 - TRANSMISSION, PARKING BRAKE, PRESSURE SWITCH

55.015.AA

p1

10/201  
9

ENGINE, ELECTRONIC CONTROL UNIT



55.023.AA

p1

10/201  
9

VAR - 423060 - 423061 - TRANSMISSION, SEMI-POWERSHIFT, SENSOR

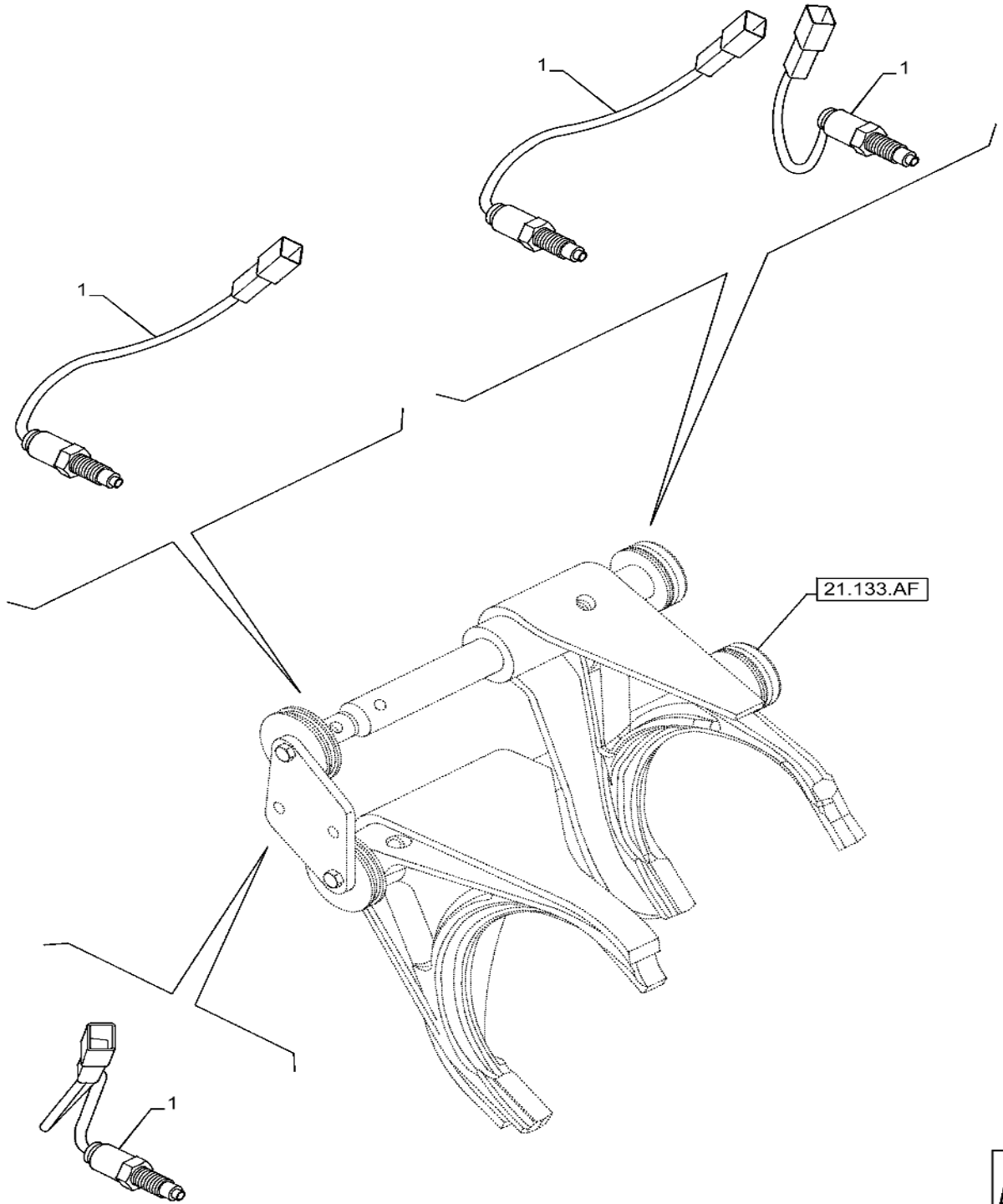


Figure is Valid with Industrial Var. 423060, 423061

55.036.AO

03

p1

10/201  
9

VAR - 747662, 423084 - CONTROL VALVE, SOLENOID

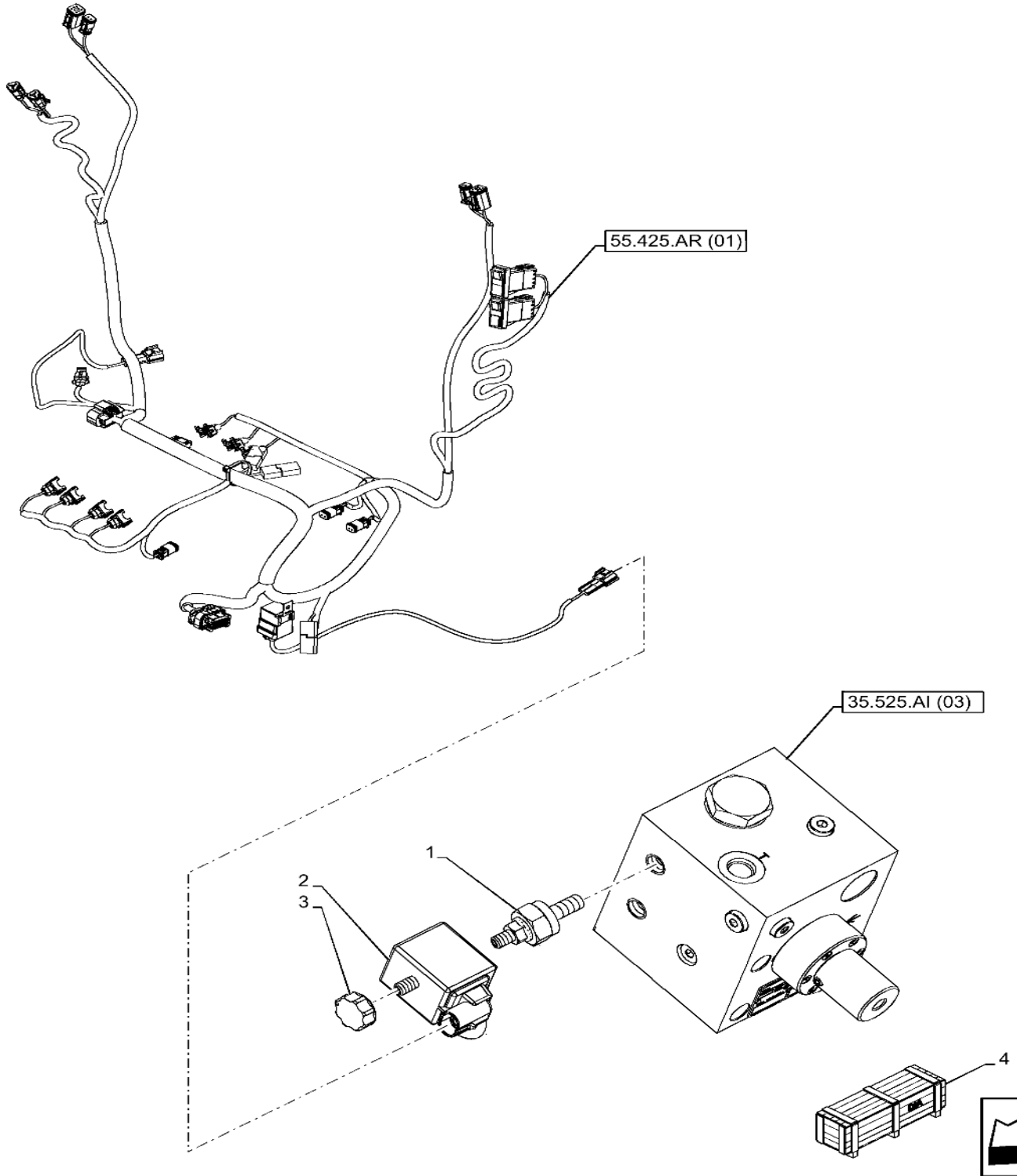


Figure is Valid with Industrial Var. 747662, 423084

55.051.AH

p1

10/201  
9

VAR - 747853, 747855 - AIR CONDITIONER, THERMOSTAT

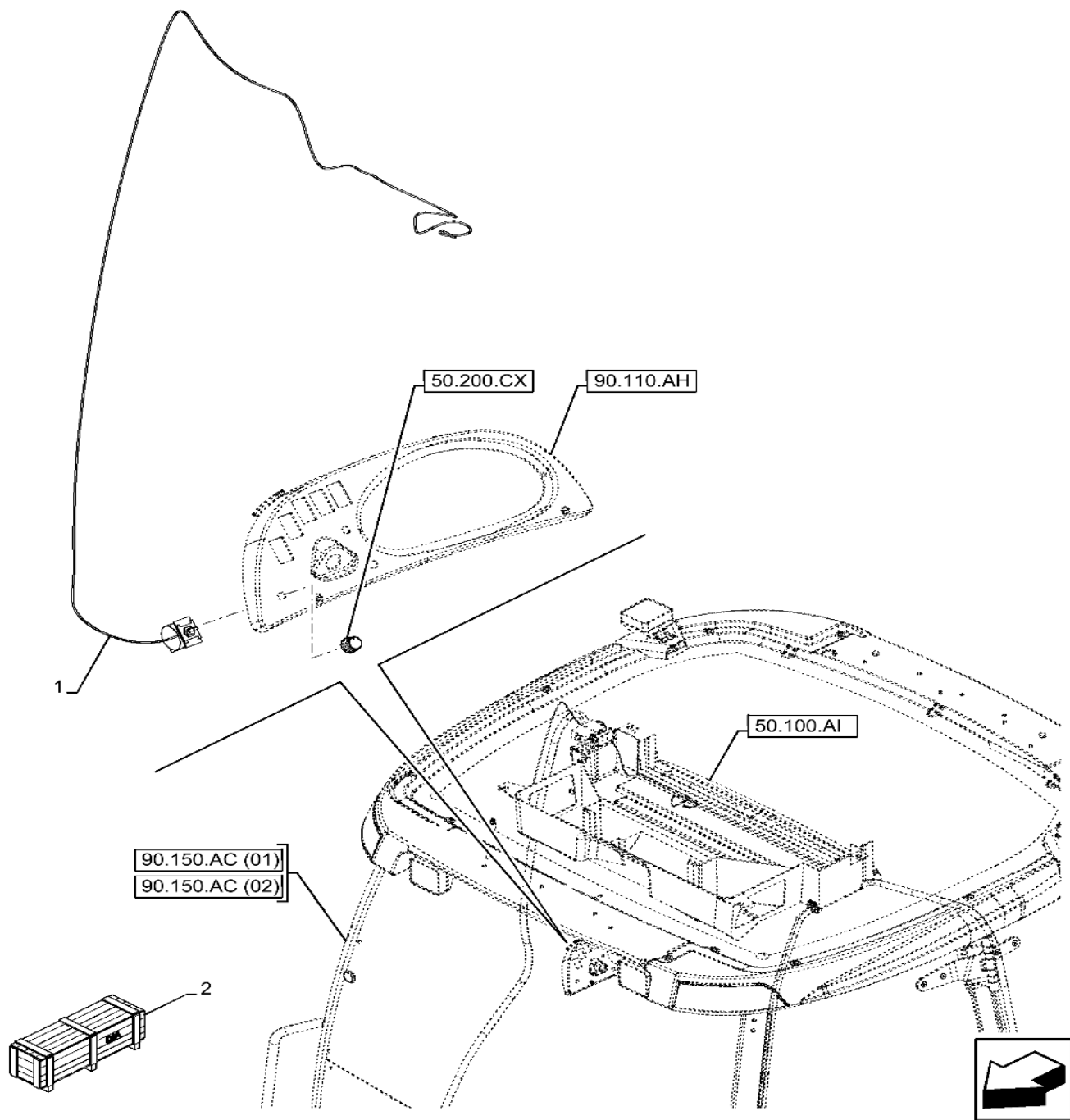


Figure is Valid with Industrial Var. 747853, 747855

POWERSHUTTLE TRANSMISSION, RIGHT SIDE CONSOLE HARNESS

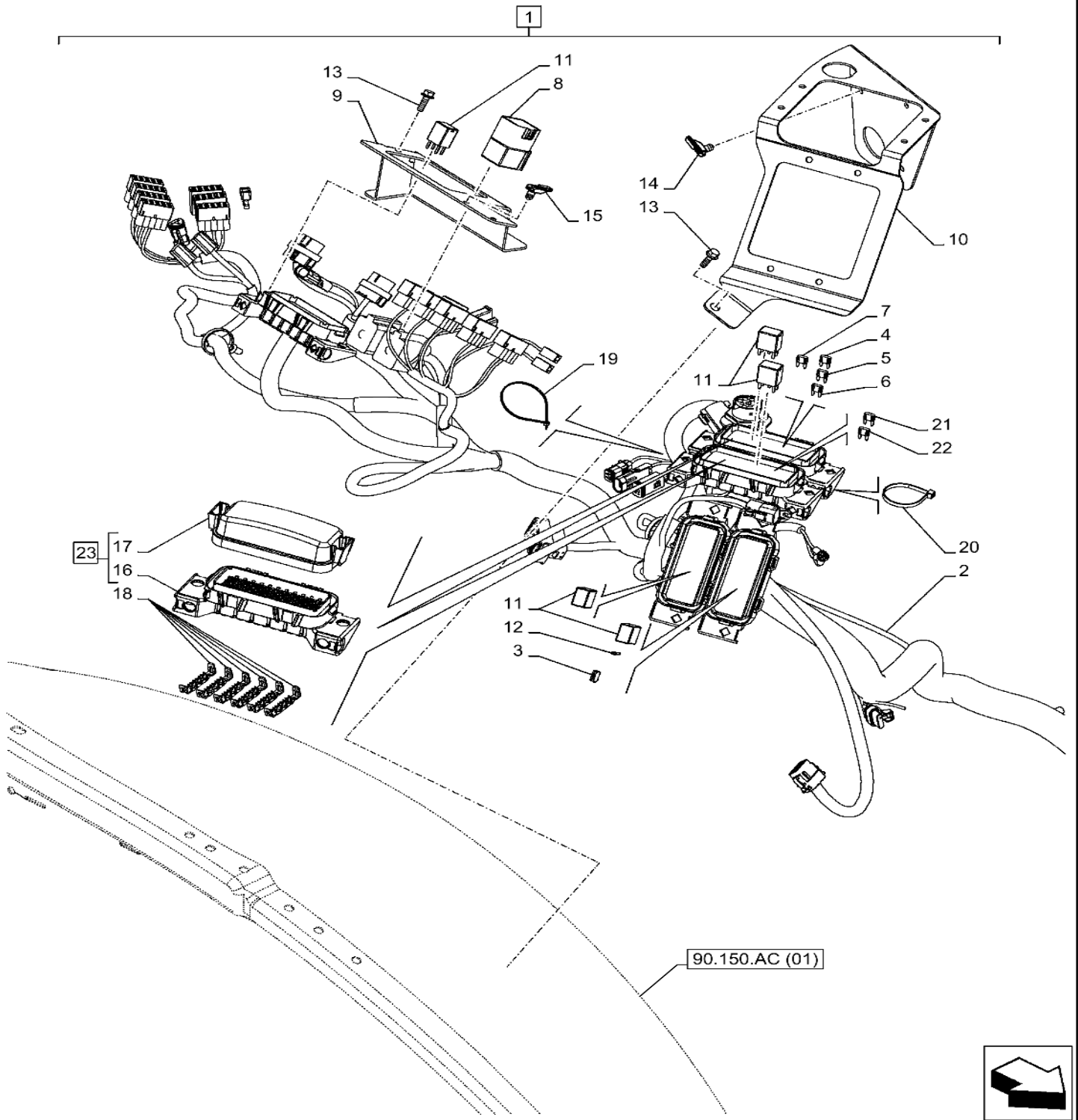


Figure is Valid with Industrial Var. 423058, 423059

55.302.AG

01

p1

10/201  
9

BATTERY

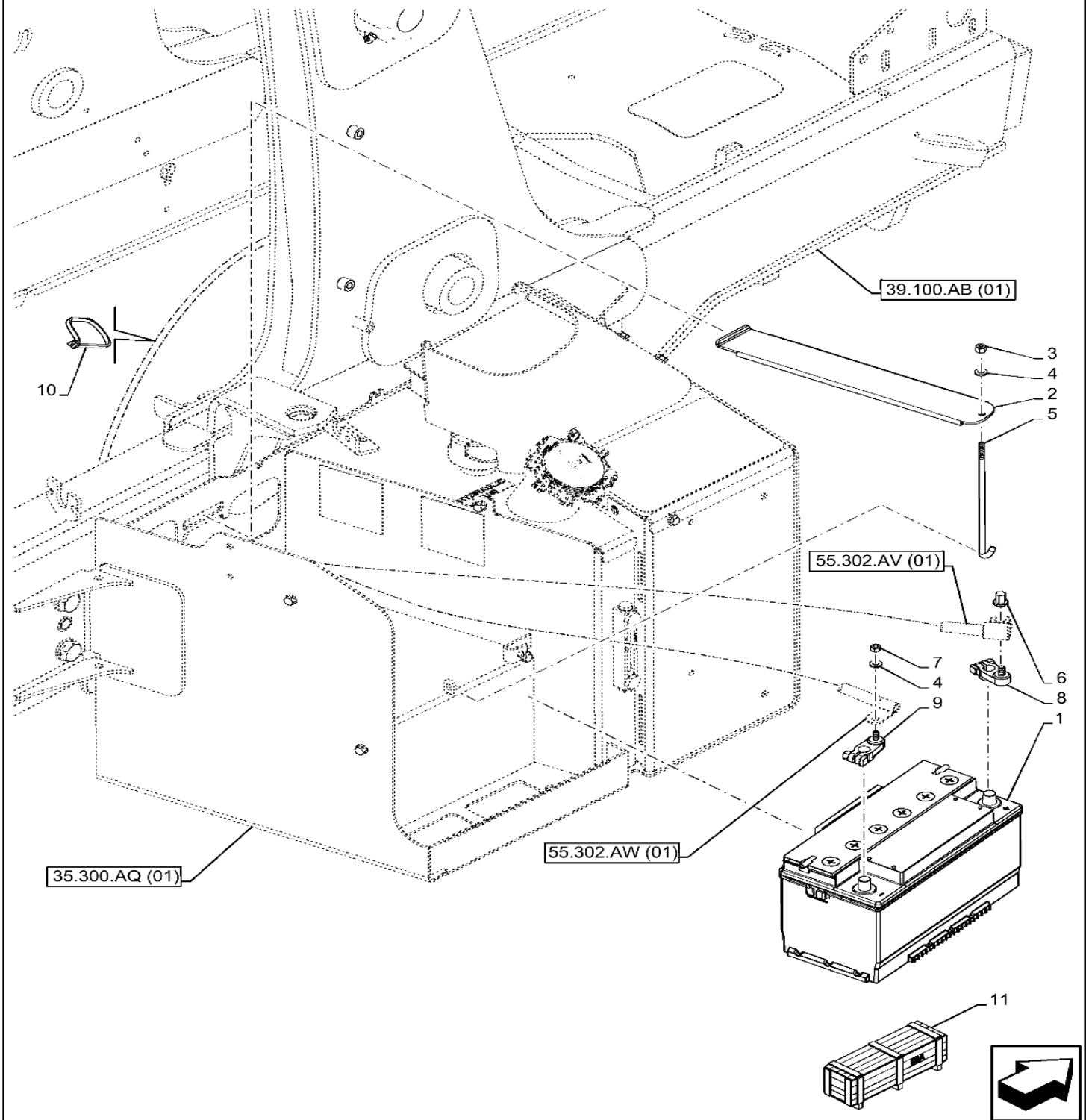


Figure is Valid with Option X02048X

55.404.CD

02

p1

10/201  
9

VAR - 747853, 747854, 747855 - CAB, REAR WORK LIGHT

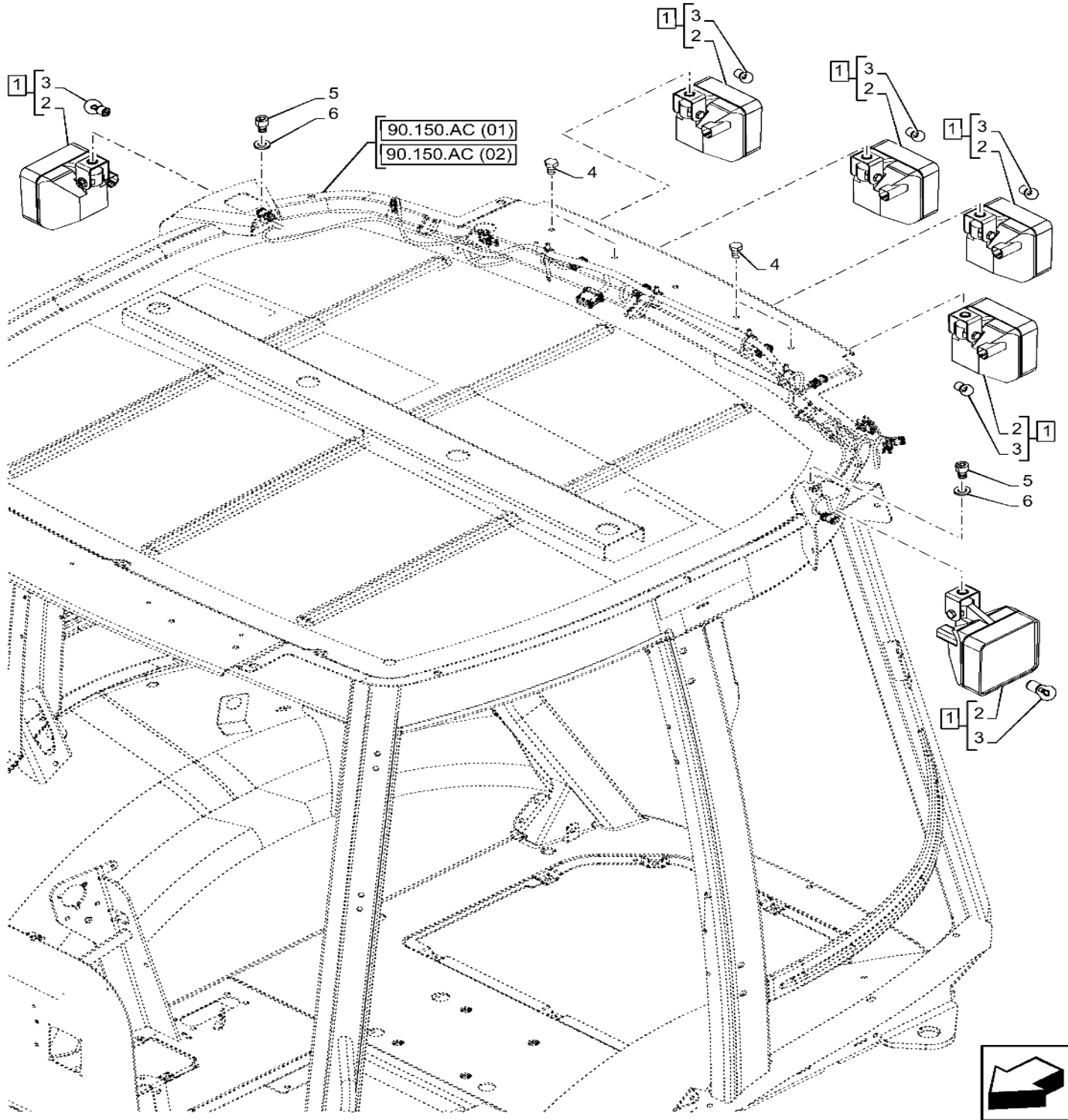
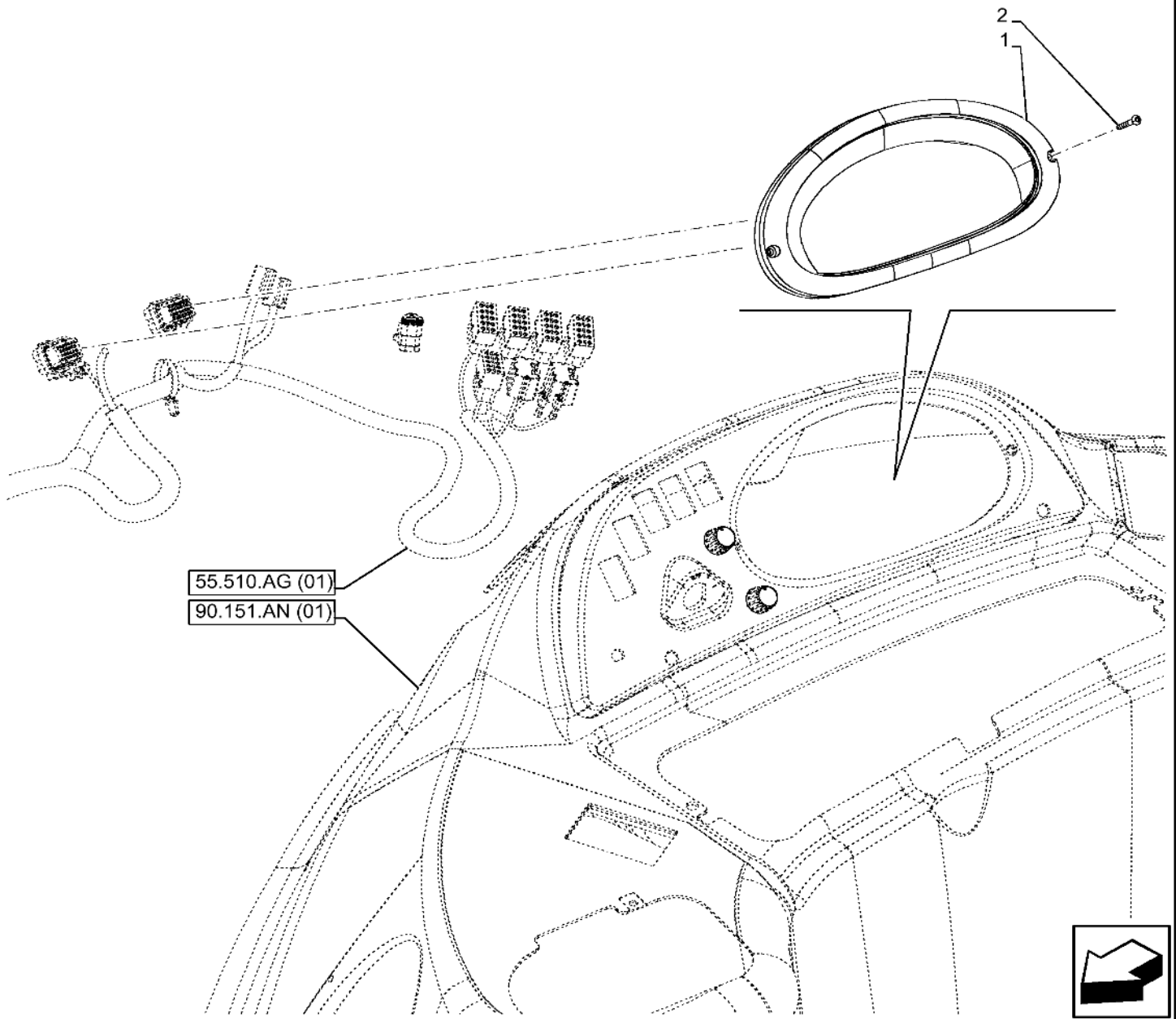


Figure is Valid with Industrial Var. 747853, 747854, 747855

INSTRUMENT CLUSTER



55.510.AN

03

p1

10/201  
9

VAR - 423058, 423059 - POWERSHUTTLE TRANSMISSION, FRONT CONSOLE, HARNESS

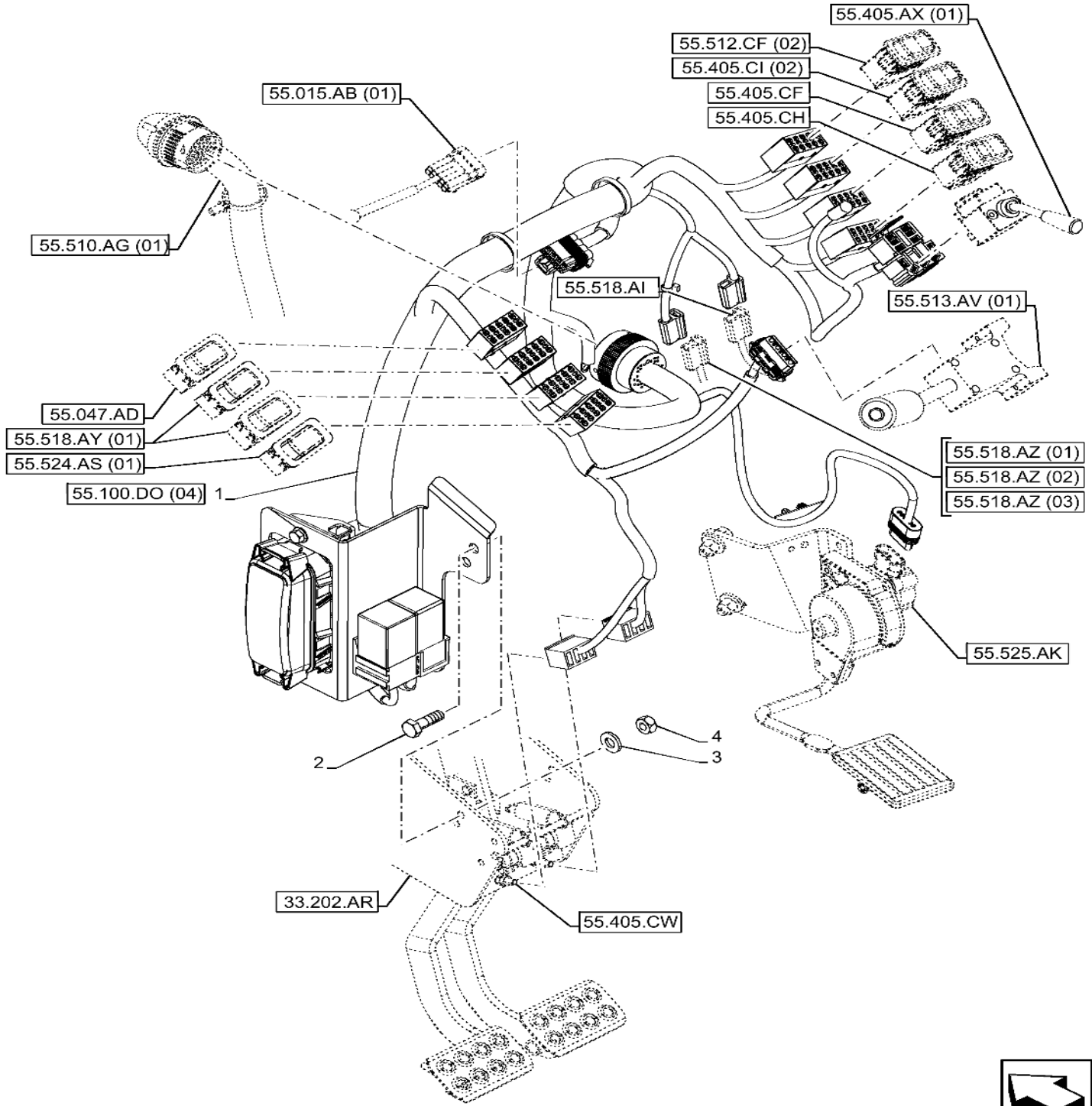


Figure is Valid with Industrial Var. 423058, 423059

55.512.BR

p1

10/201  
9

VAR - 423083 - ELECTRONIC, PEDAL

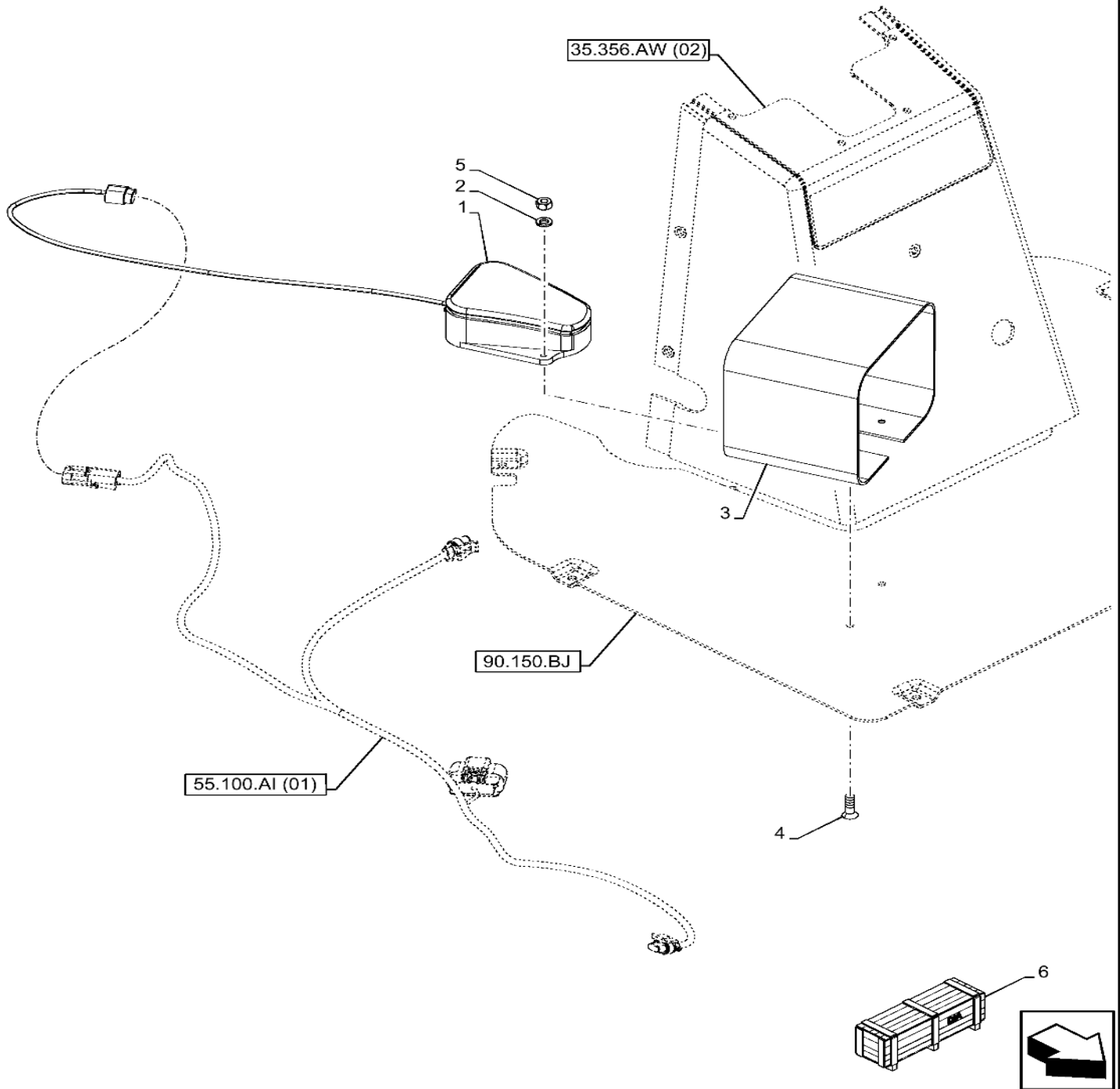


Figure is Valid with Industrial Var. 423083



**55.514.AA**

01

p1

10/201  
9

VAR - 442083 - CAB, INTERIOR LIGHT

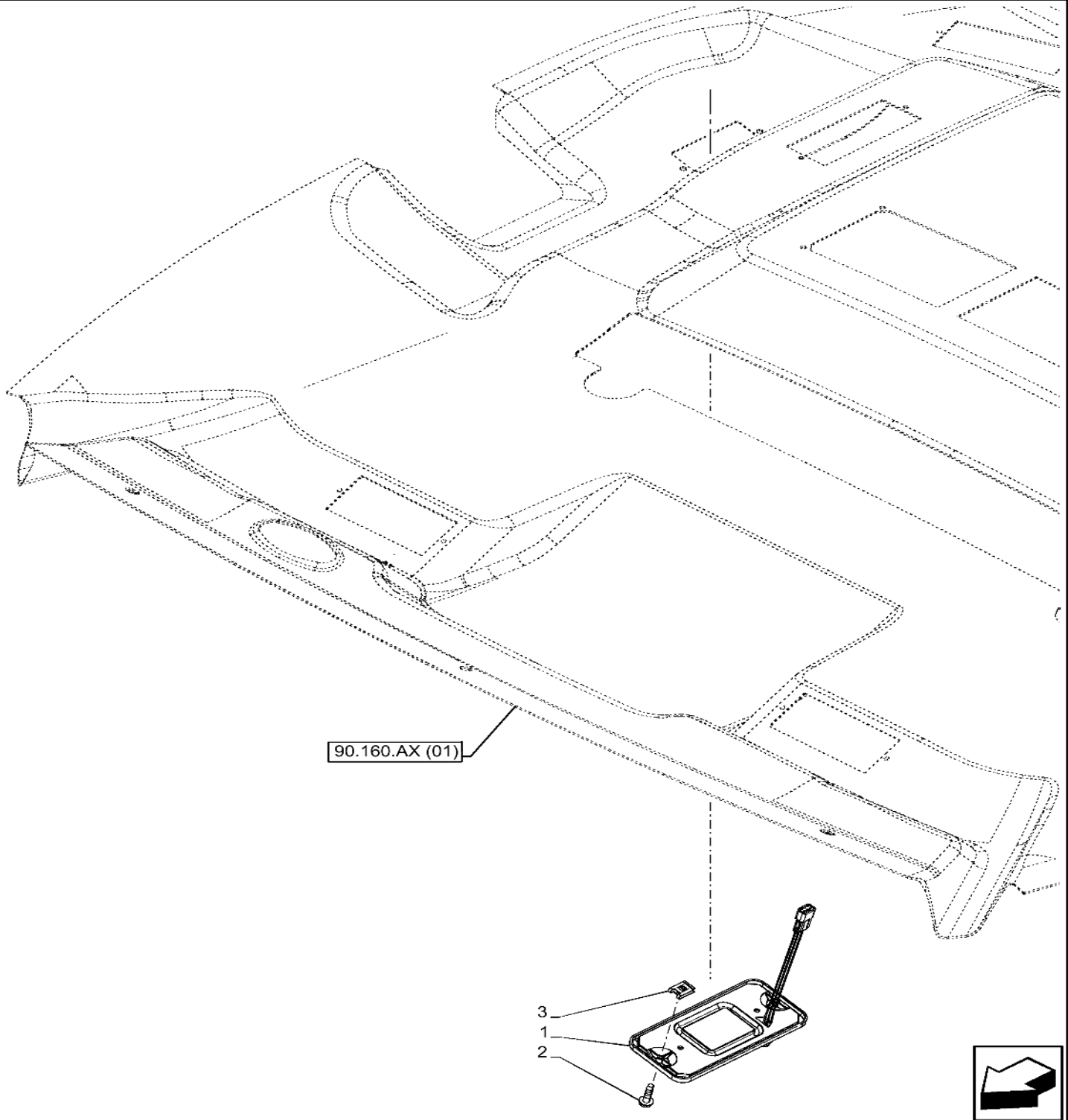


Figure is Valid with Option X05021X, 442083



**55.526.AF**

01

p1

10/201  
9

VAR - 423058, 423059 - TRANSMISSION, POWERSHUTTLE, RIDE CONTROL SWITCH, HARNESS

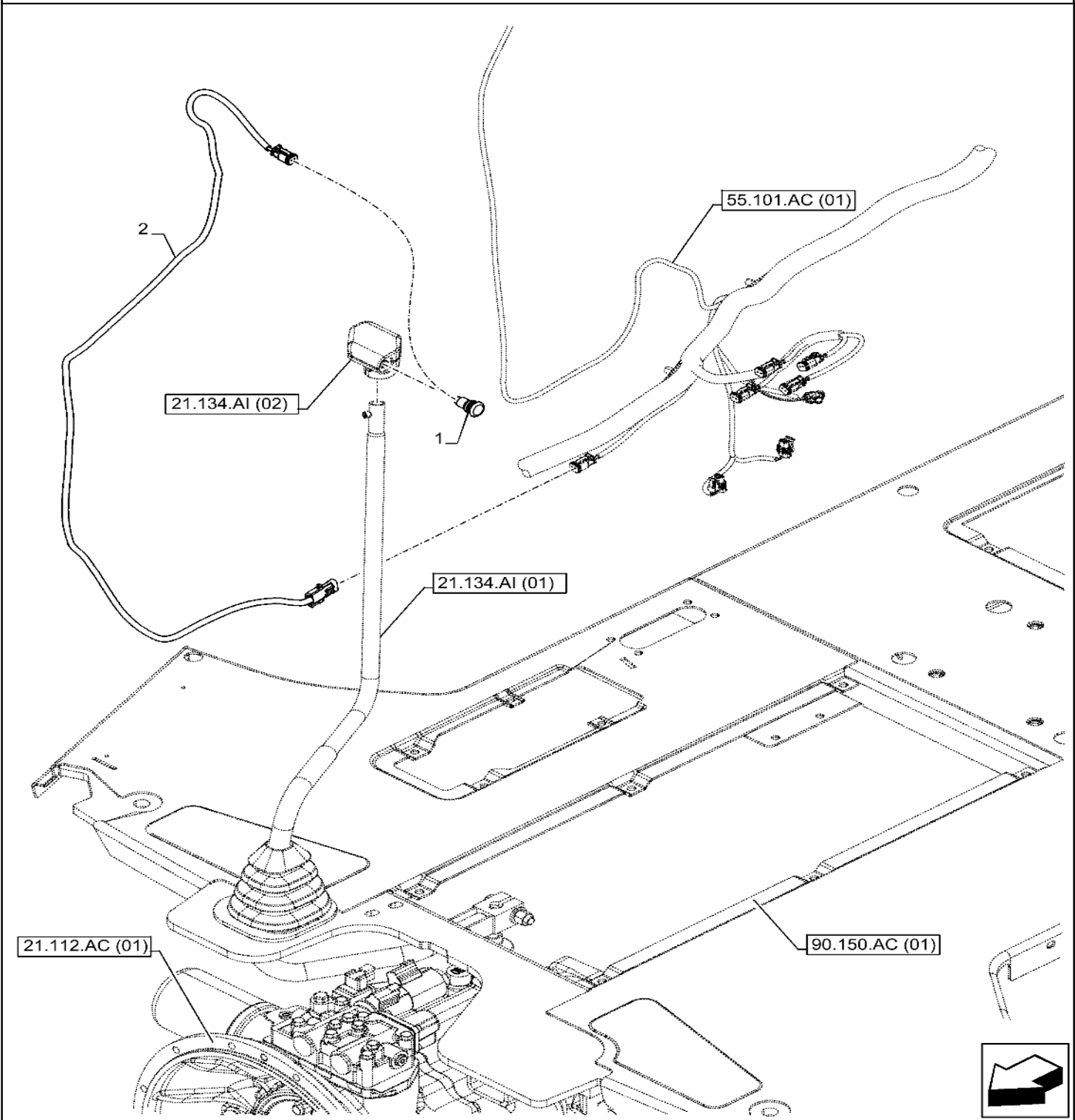


Figure is Valid with Industrial Var. 423058, 423059

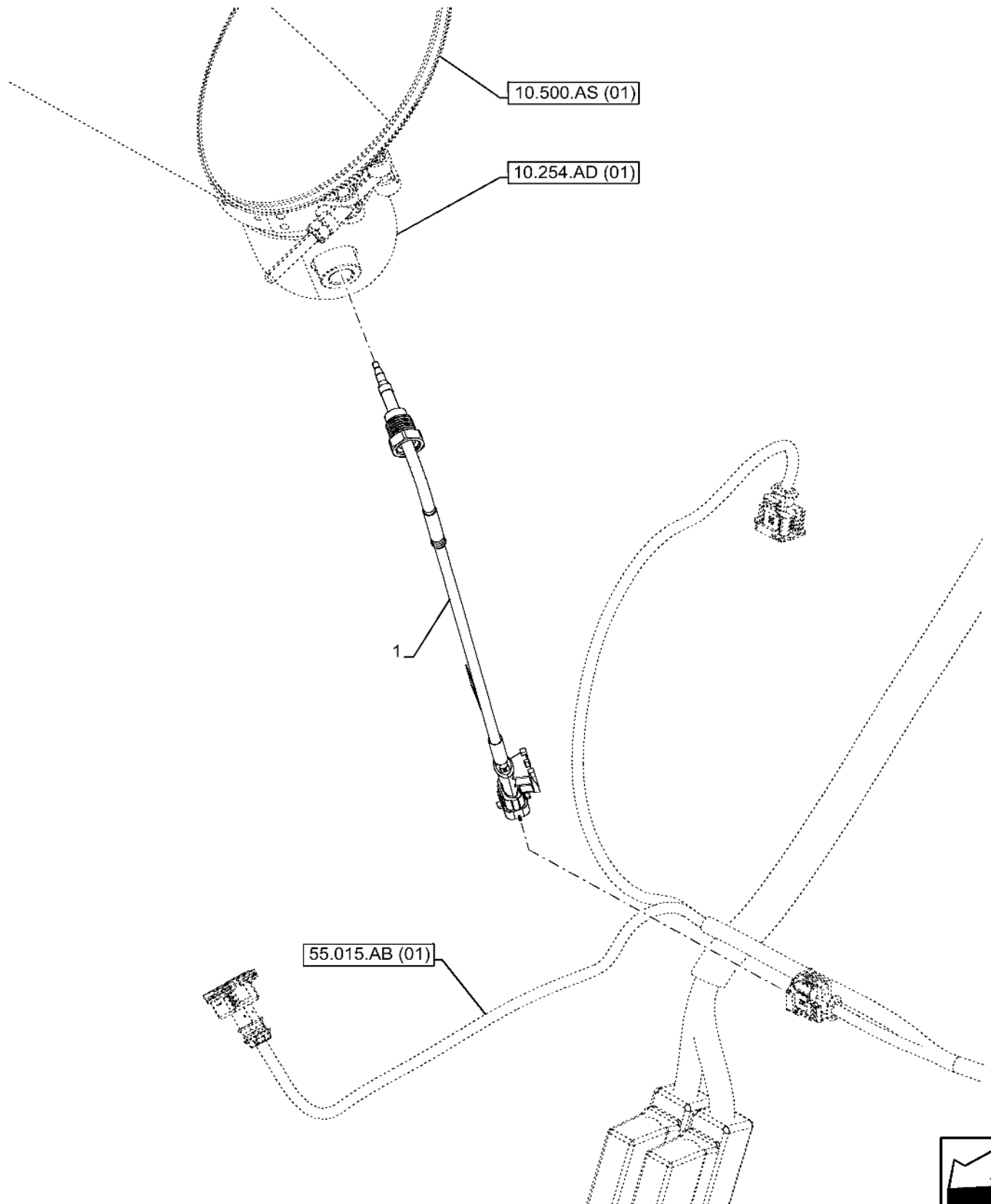
**55.989.AA**

01

p1

10/201  
9

EXHAUST SYSTEM, TEMPERATURE SENDER



**82.300.AB**

01

p1

10/201  
9

VAR - 747539 - BUCKET, 1.25 YD - 93INCH/2362MM LL, BUSHING

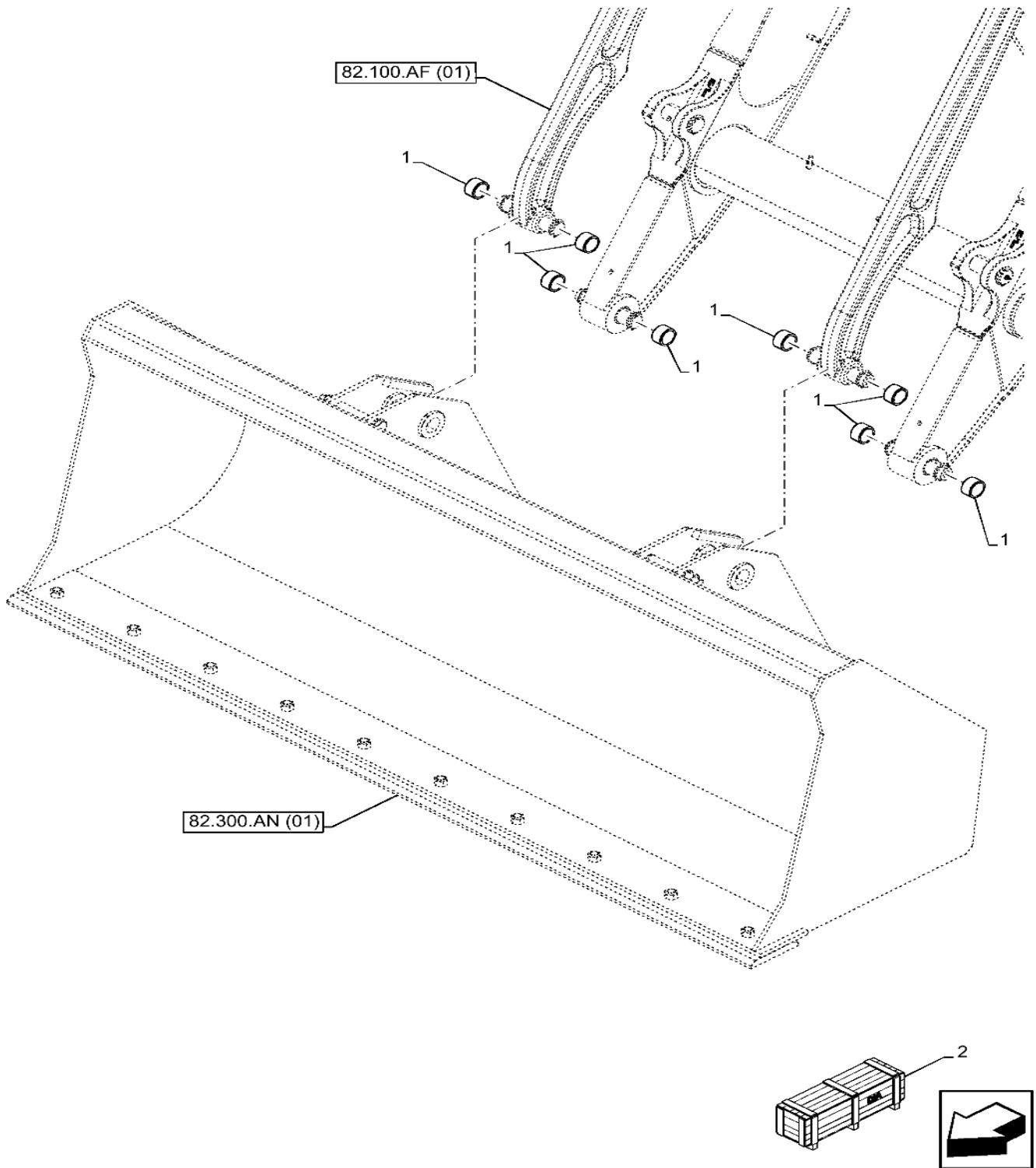


Figure is Valid with Industrial Var. 747539; Part Included in Bucket 84422637

**84.100.AB**

04

p1

10/201  
9

VAR - 423070 - BUCKET, UNIVERSAL 30INCH/762MM

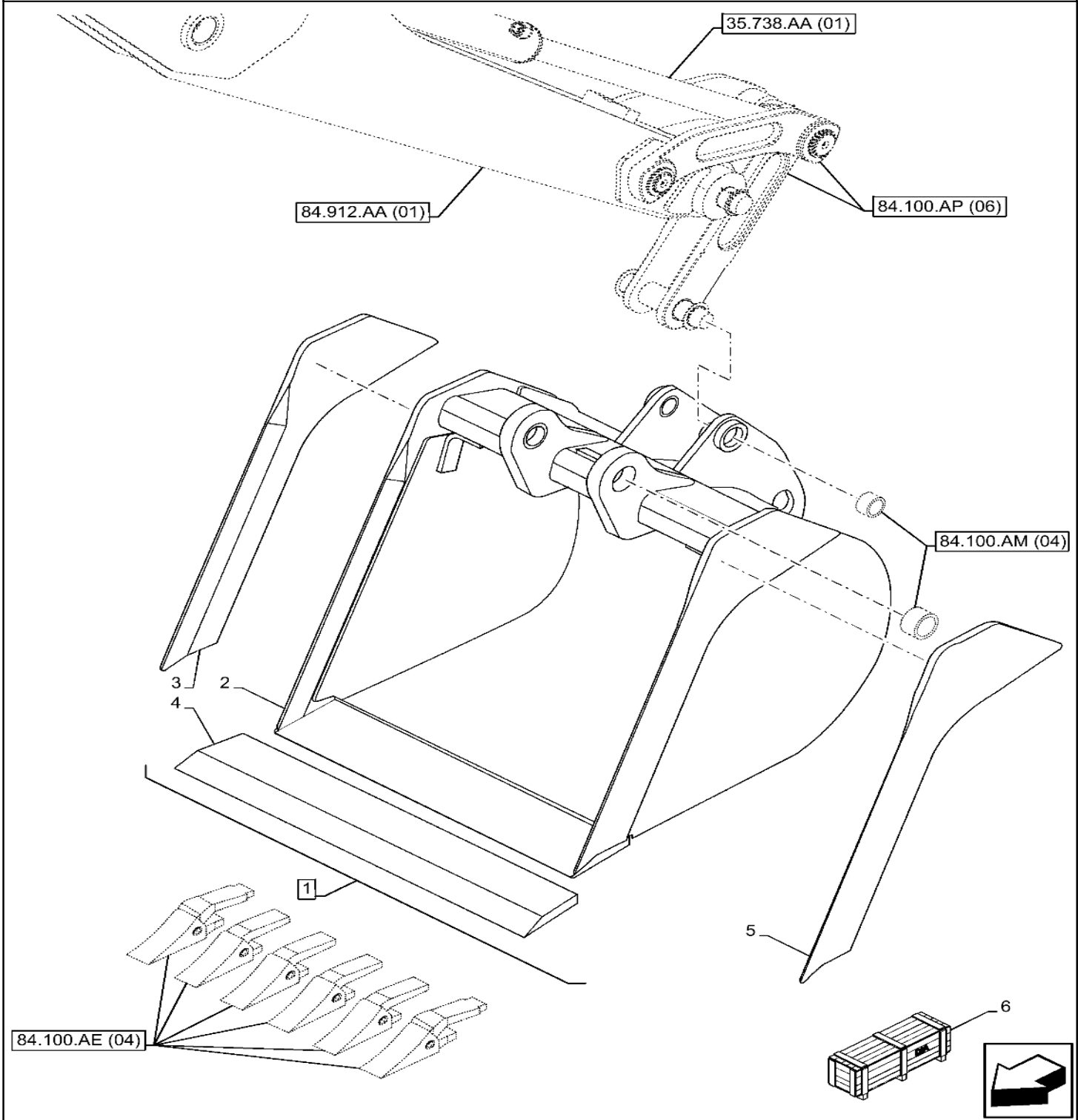


Figure is Valid with Industrial Var. 423070

**84.100.AM**

03

p1

10/201  
9

VAR - 423069 - BUCKET, UNIVERSAL 24INCH/610MM, BUSHING

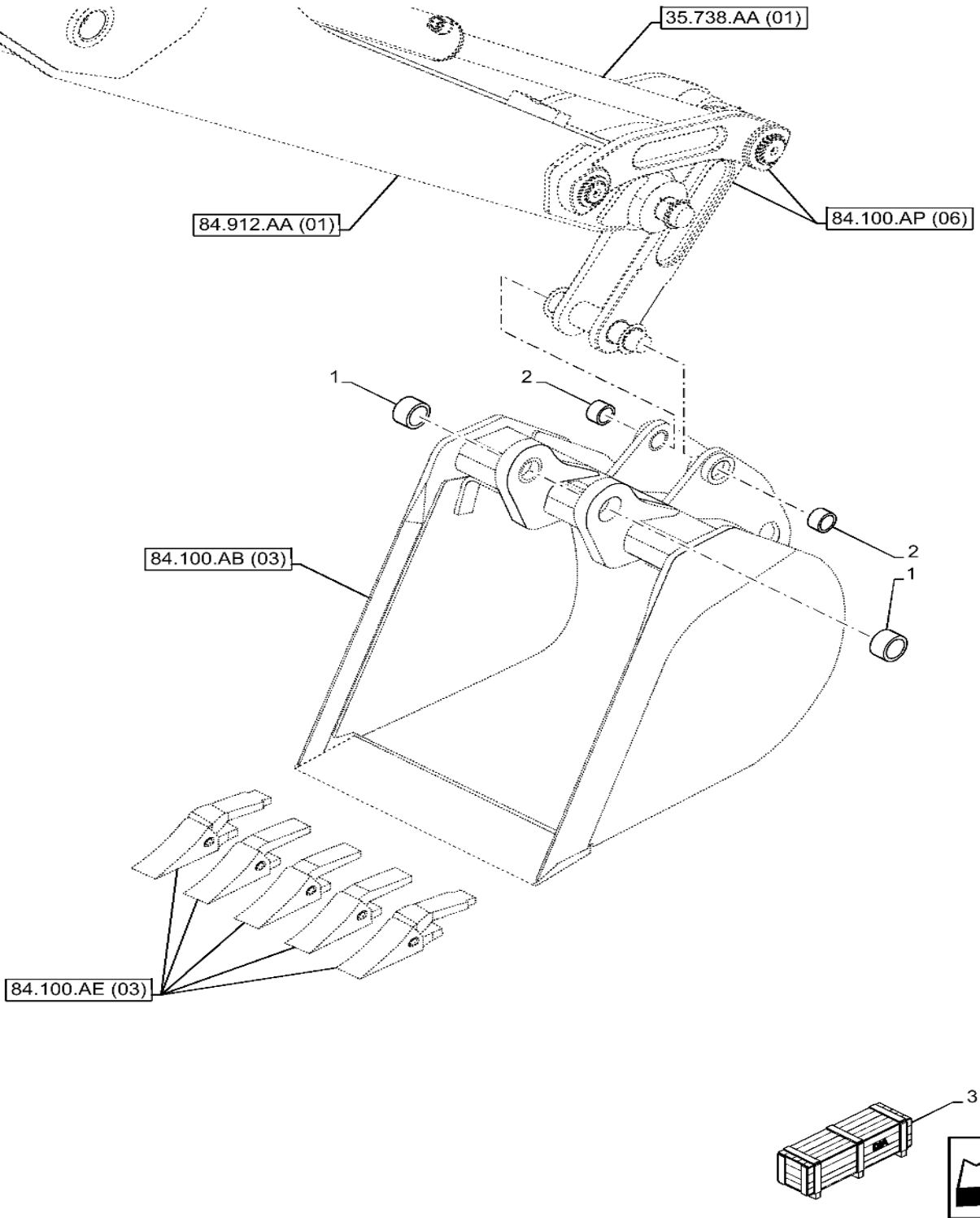


Figure is Valid with Industrial Var. 423069; Part Included in Bucket 84416559

**84.100.AP**

07

p1

10/201  
9

VAR - 442017 - BACKHOE BUCKET, HYDRAULIC COUPLER, LINK 14FT/427MM

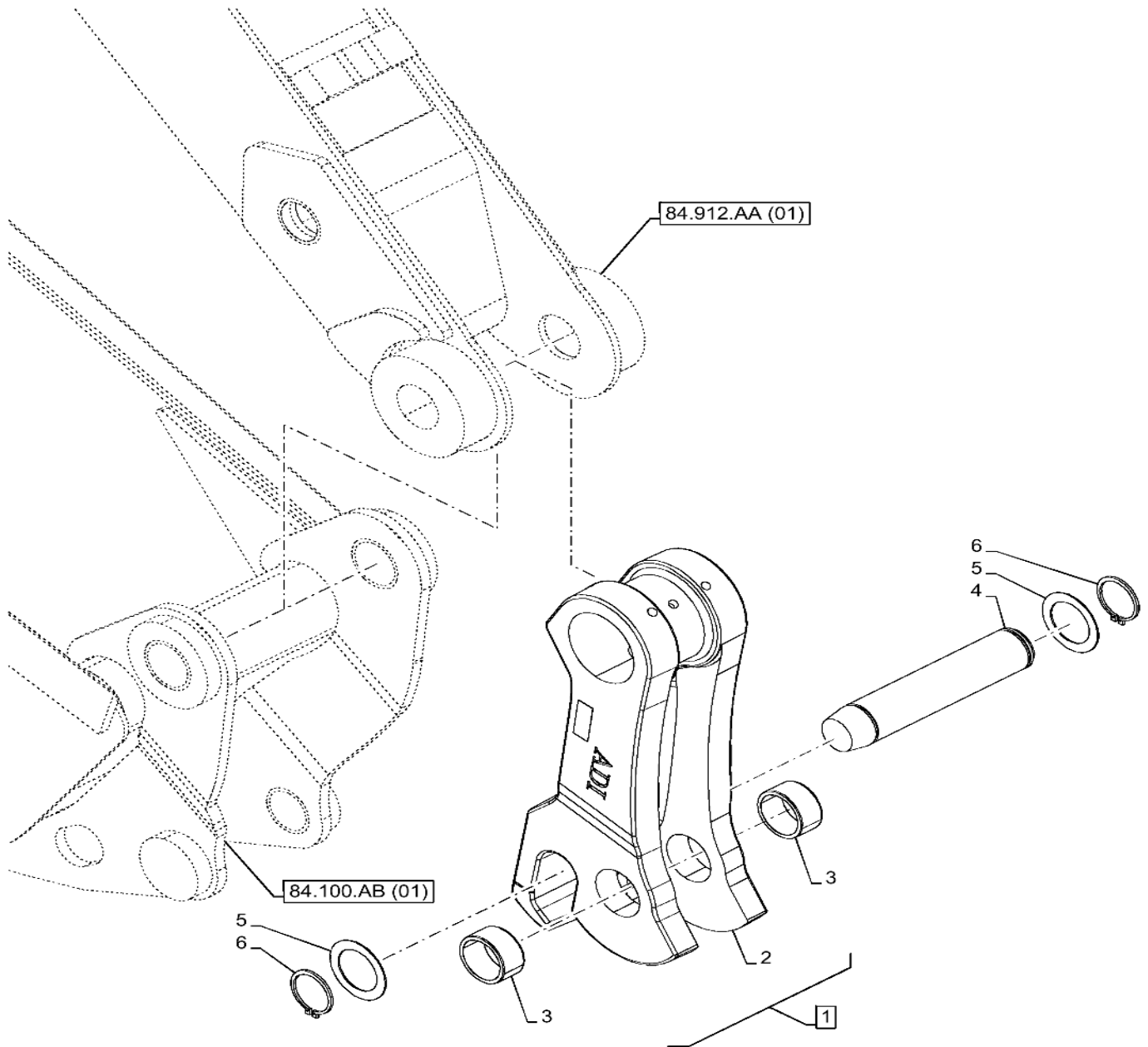


Figure is Valid with Industrial Var. 442017

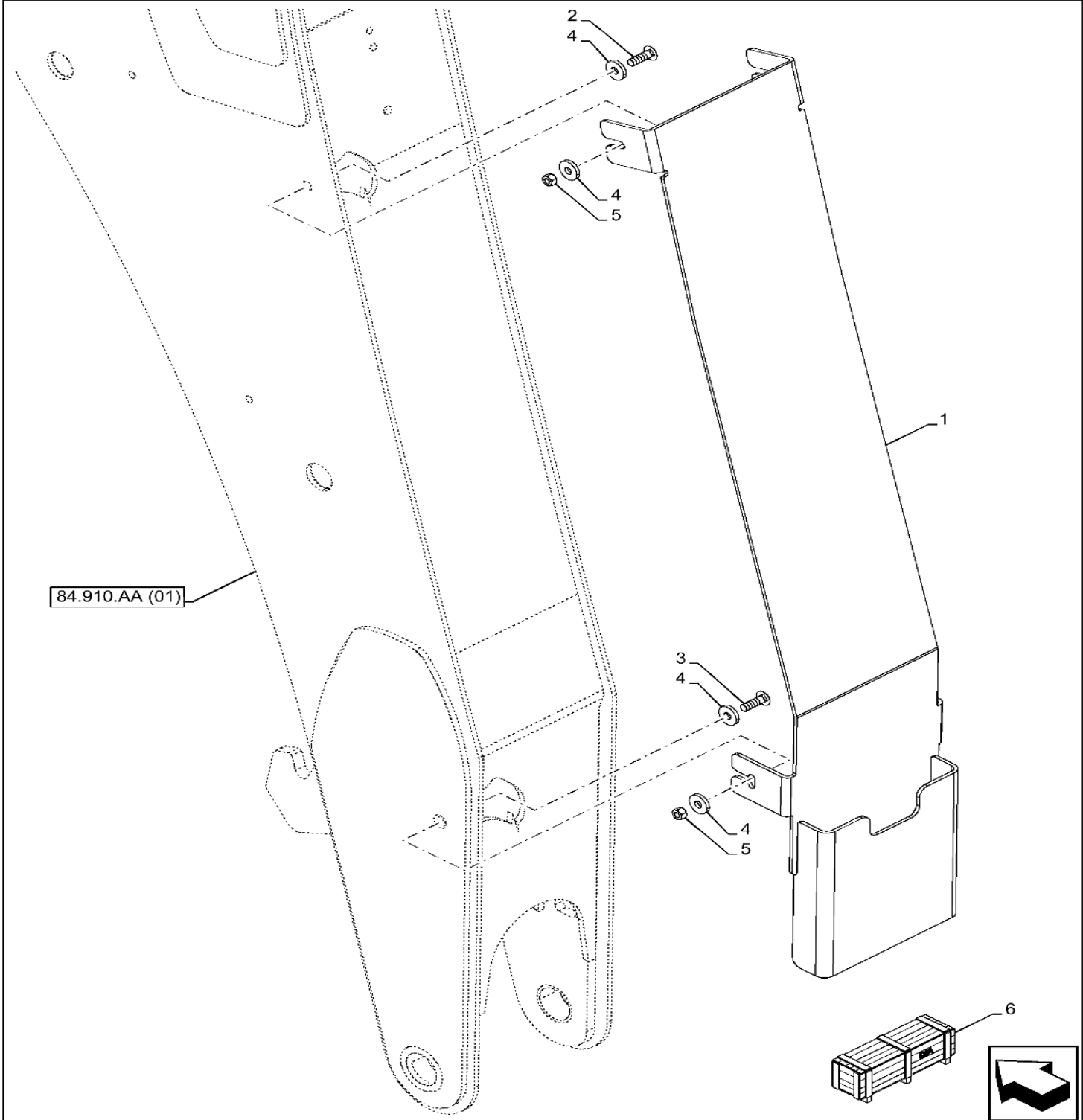
84.910.AA

02

p2

10/201  
9

BOOM, GUARD



84.910.AA (01)

Figure is Valid with Industrial Var. 423075 Standard Dipper, 423076 Extendable Dipper only when Var. 423083, 423084, 747661, 747662 Auxiliary Hydraulic is Equipped

84.912.AD

01

p1

10/2019

STANDARD DIPPER, BUSHING

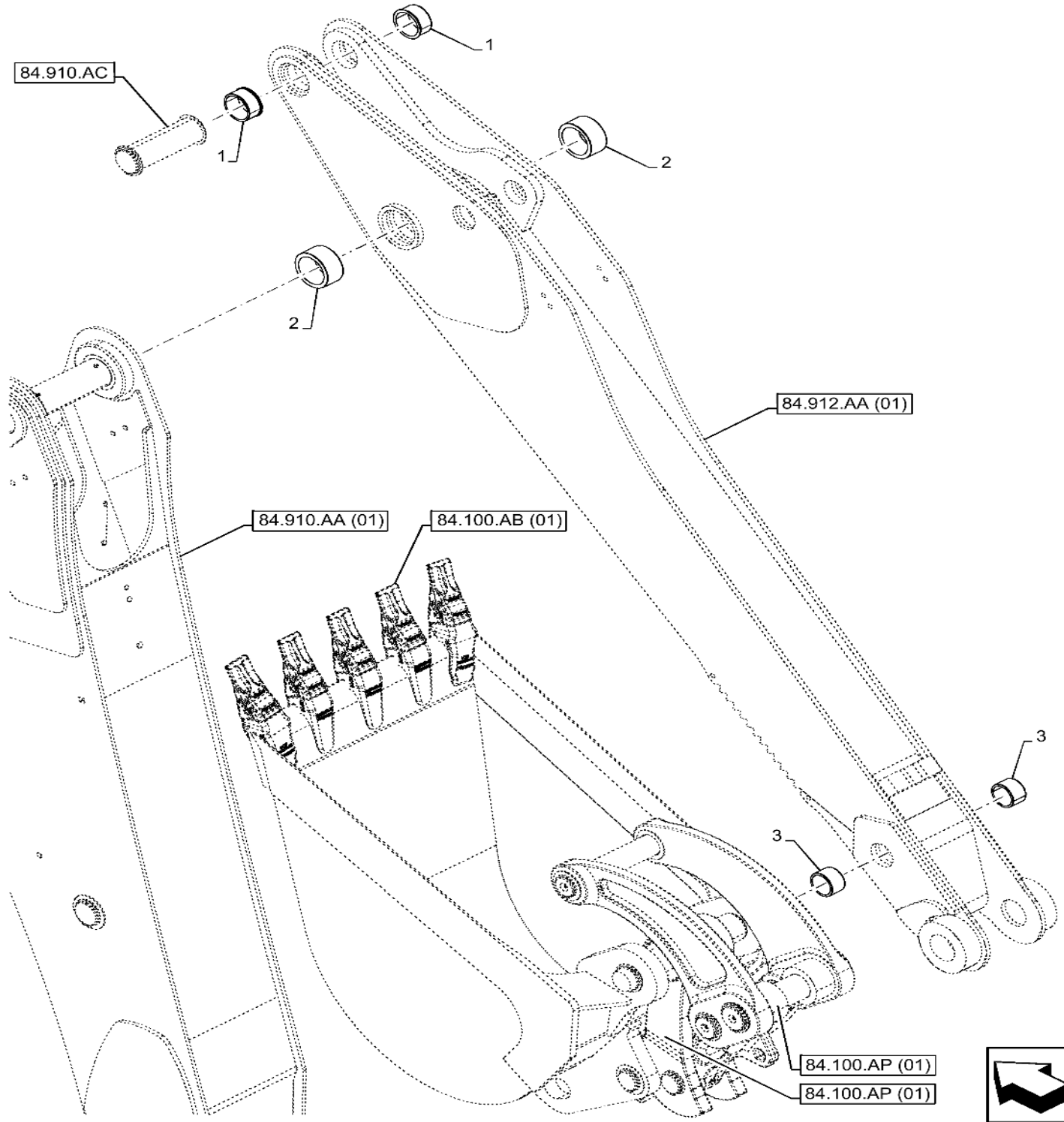


Figure is Valid with Industrial Var. 423075 Standard Dipper only when Var. 423048 Links Only or Var. X20039X W/O Backhoe Coupler is Equipped; Part Included in Standard Dipper 84478627

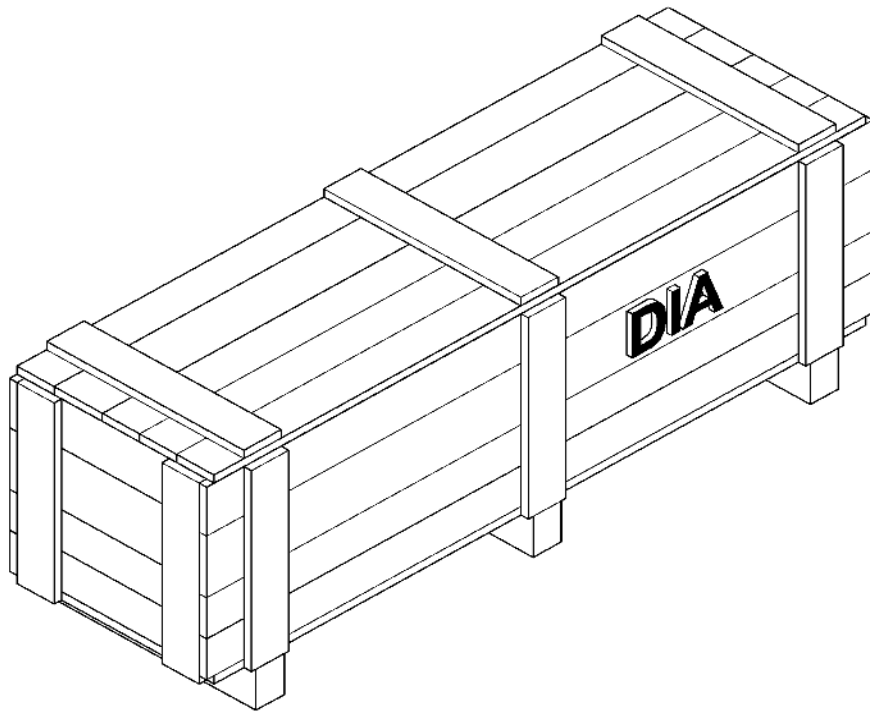
**88.100.35**

00

p2

10/201  
9

**DIA KIT, DEALER INSTALLED ACCESSORY KITS INDEX, HYDRAULIC SYSTEM**



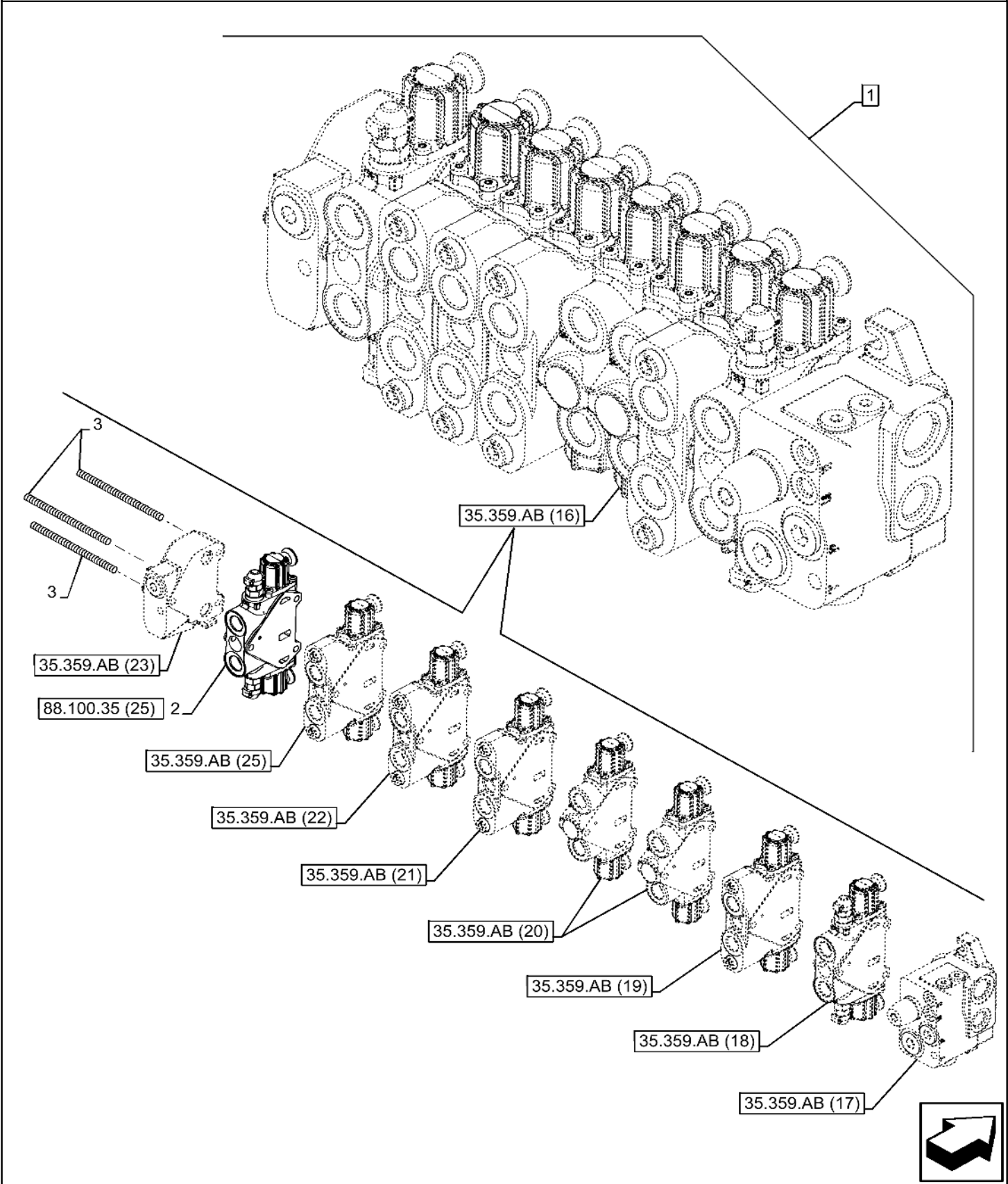
88.100.35

24

p1

10/201  
9

DIA KIT, DUAL AUXILIARY, PILOT CONTROL, EXTENDABLE DIPPER - SERVICE



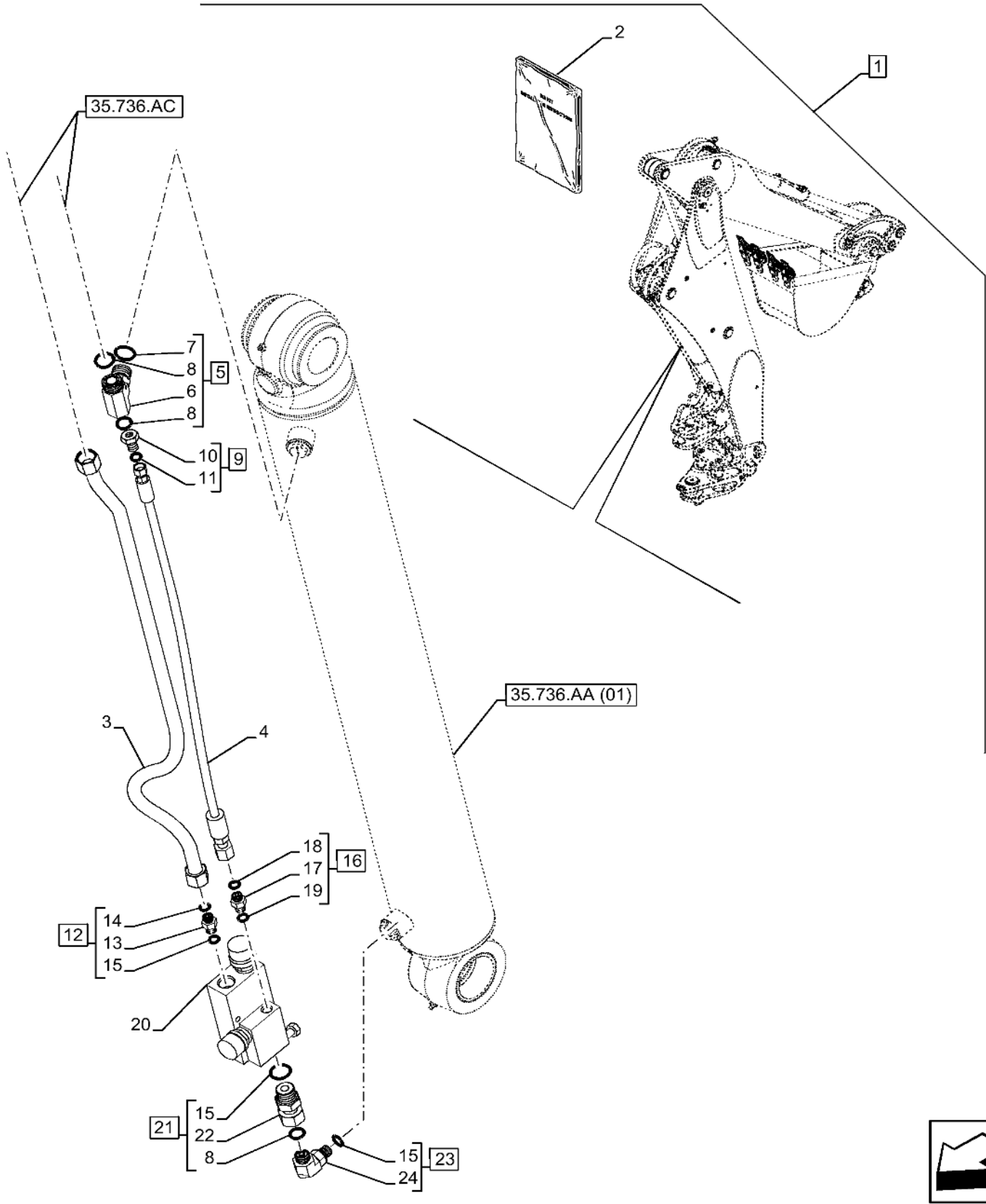
88.100.35

37

p1

10/201  
9

DIA KIT, BOOM, LOCK VALVE



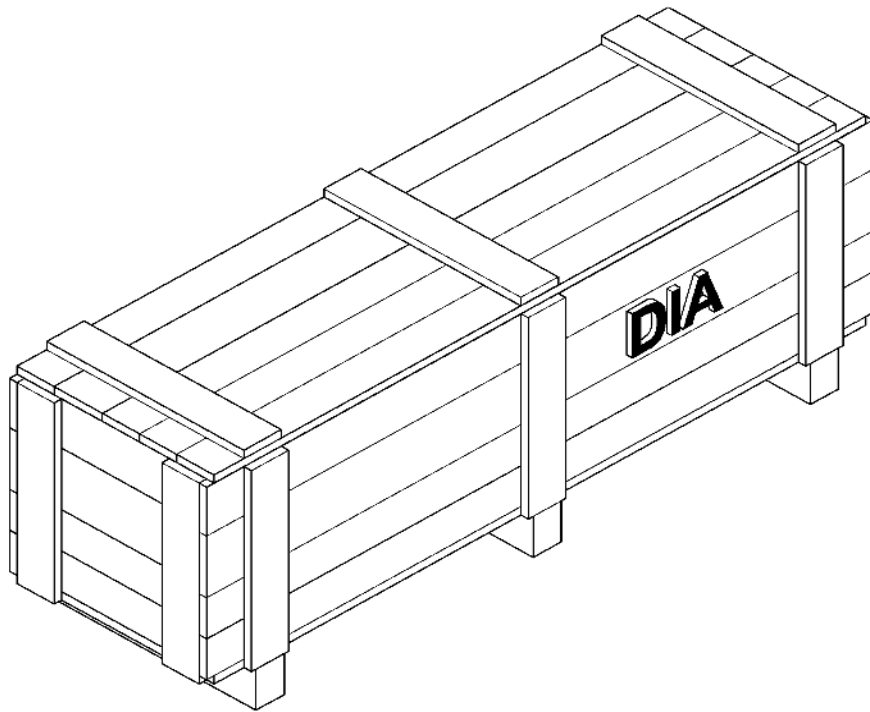
**88.100.39**

00

p1

10/201  
9

DIA KIT, DEALER INSTALLED ACCESSORY KITS INDEX, FRAME, BALLAST



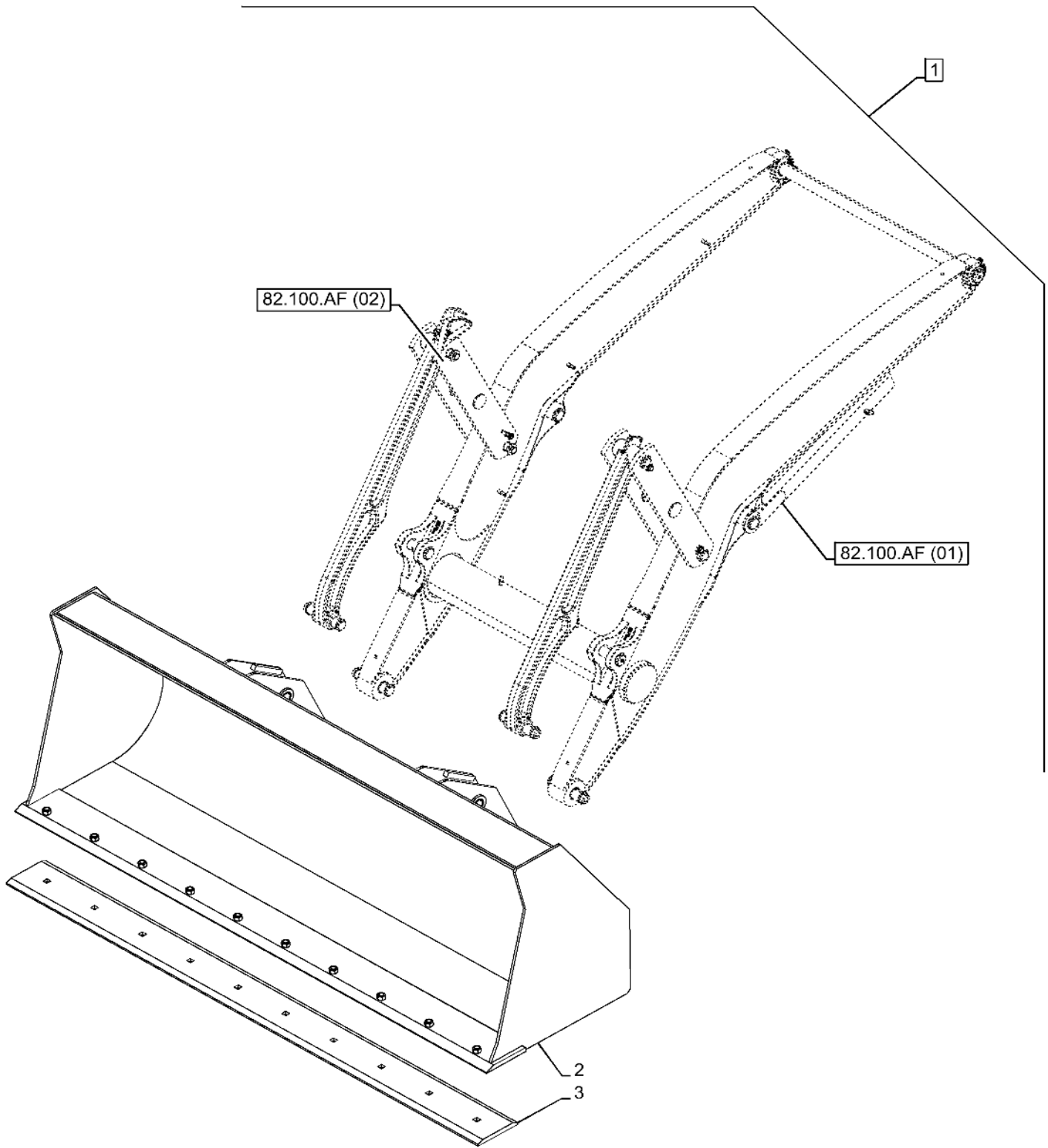
88.100.82

02

p1

10/201  
9

DIA KIT, LIGHT MATERIAL BUCKET, 96 INCH QC - CASE



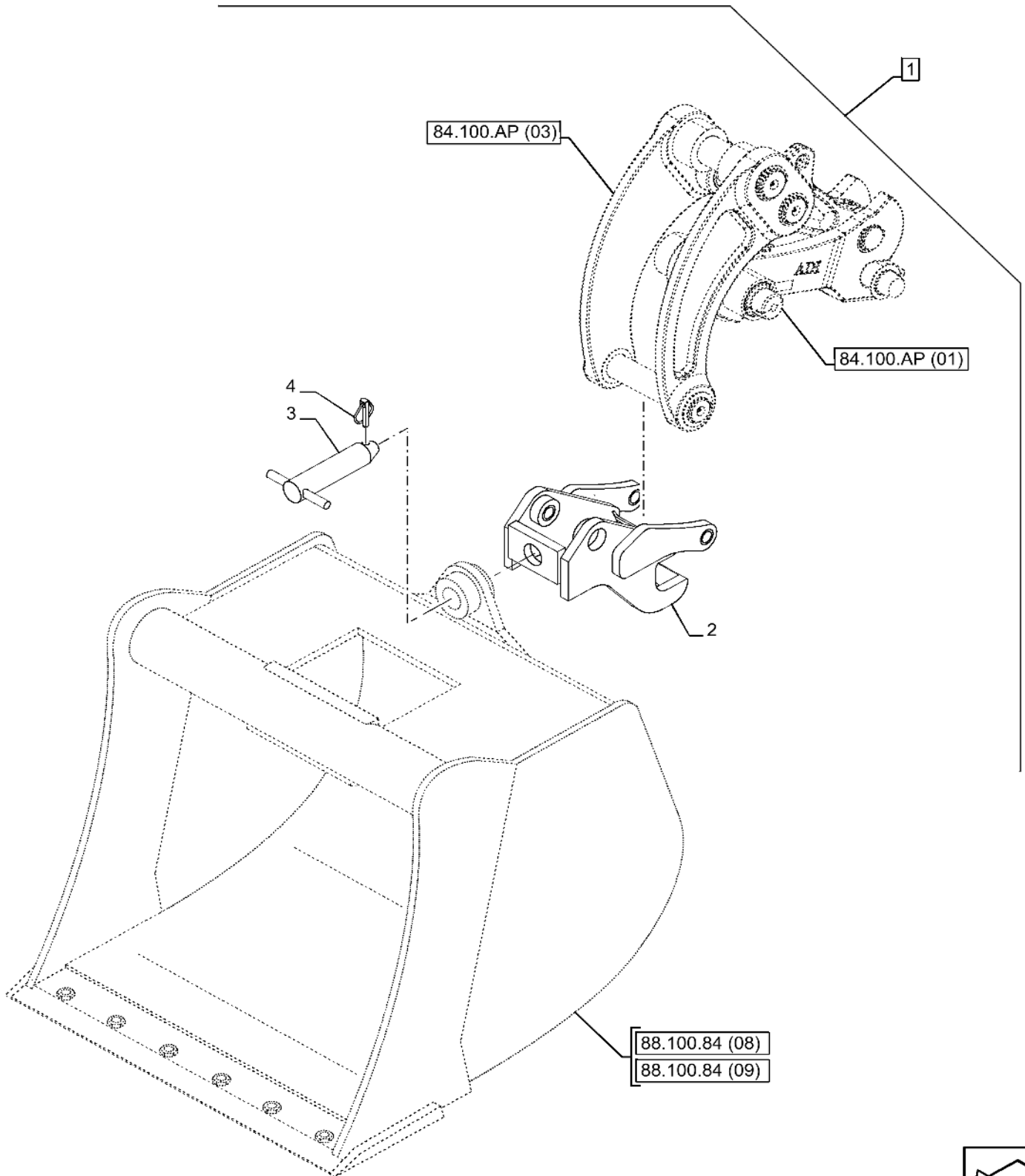
**88.100.84**

07

p1

10/201  
9

DIA KIT, QUICK-HITCH, WR QC30



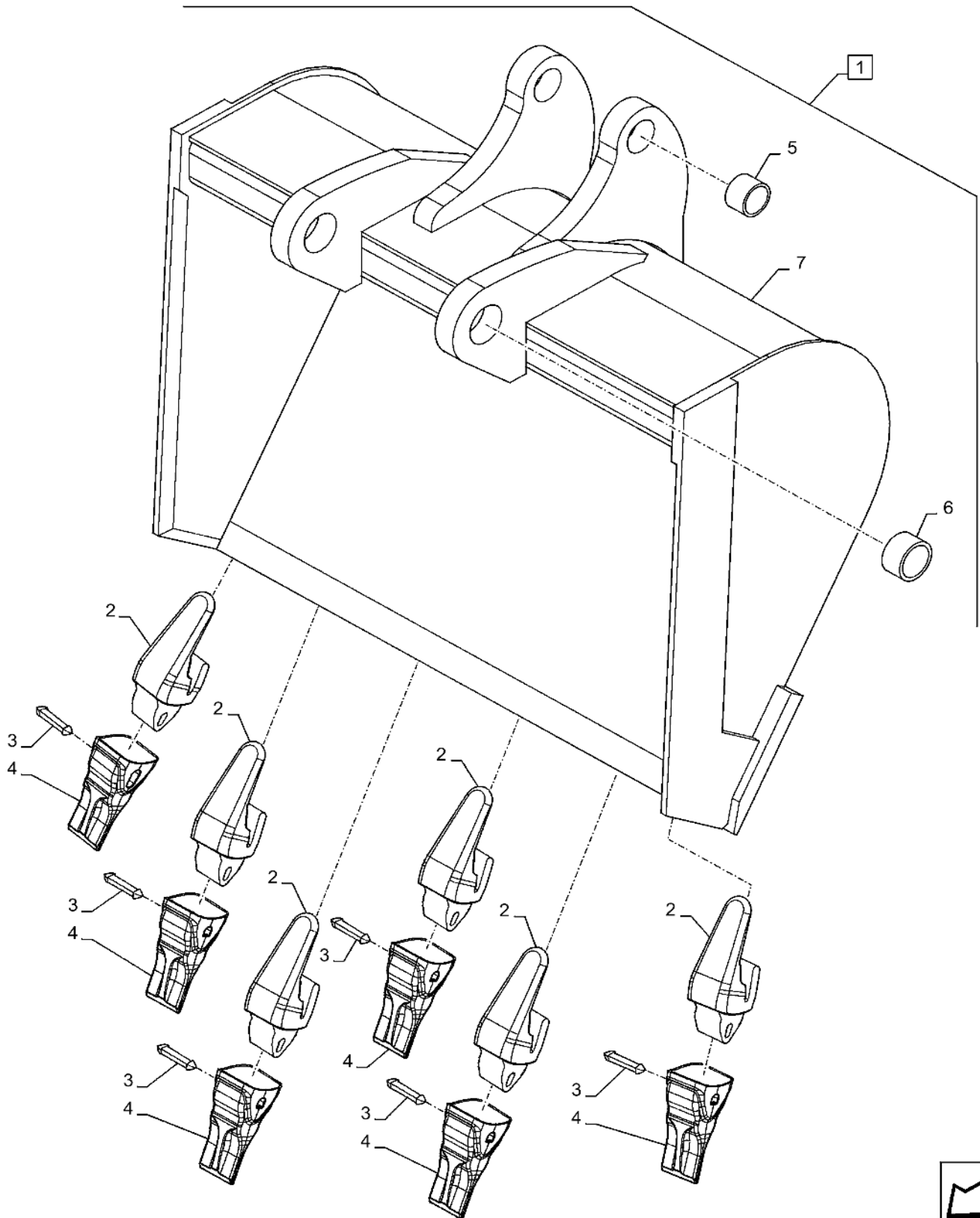
88.100.84

23

p1

10/201  
9

DIA KIT, CEMETERY BUCKET, 36 INCH/939MM



88.100.90

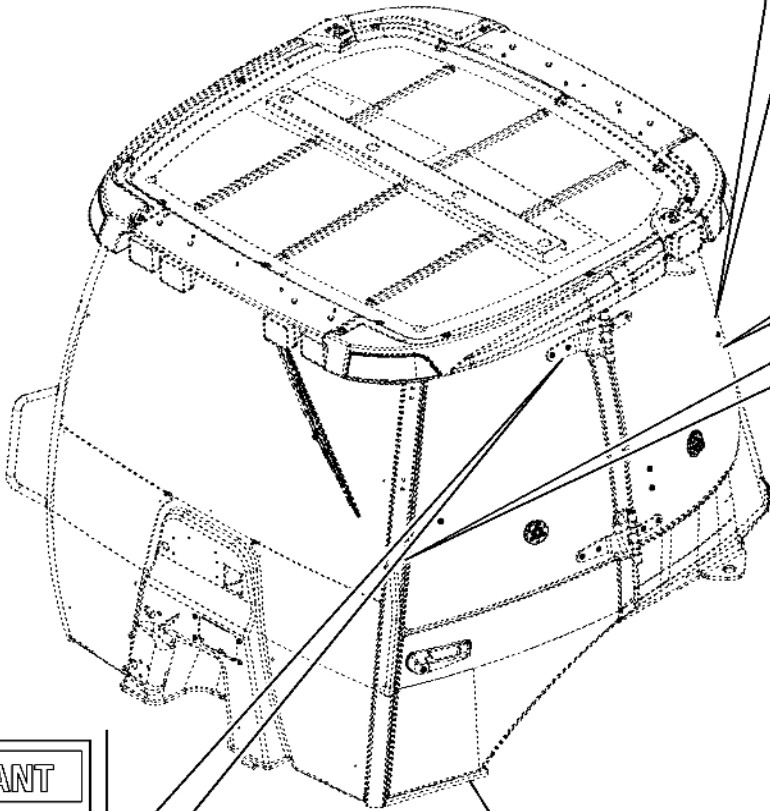
09

p1

10/2019

DIA KIT, CAB, WIDE

 <p><b>DANGER</b> CRUSH HAZARD</p>	 <ul style="list-style-type: none"> <li>• KEEP CLEAR OF THIS AREA. SWINGING BOOM CAN KILL OR SERIOUSLY INJURE YOU</li> <li>• START AND OPERATE BACKSIDE FROM OPERATOR'S SEAT ONLY</li> <li>• DO NOT PLACE ANY LOOSE OBJECTS INSIDE CAB AREA</li> </ul>	<ul style="list-style-type: none"> <li>• KEEP CLEAR OF THIS AREA. SWINGING BOOM CAN KILL OR SERIOUSLY INJURE YOU</li> <li>• START AND OPERATE BACKSIDE FROM OPERATOR'S SEAT ONLY</li> <li>• DO NOT PLACE ANY LOOSE OBJECTS INSIDE CAB AREA</li> </ul>	 <p><b>DANGER</b> CRUSH HAZARD</p>
---	---	---	--



88.100.90 (05)


**IMPORTANT**



Do not pressure wash this area. Air Intake Duct location.

**UNEXPECTED MOVEMENT HAZARD**

Before Adjusting Windows  
**TURN OFF**  
Backhoe Controls System



**WARNING**



**AVOID CRUSHING DO NOT CLIMB IF MACHINE TIPS**



**USE SEAT BELT**



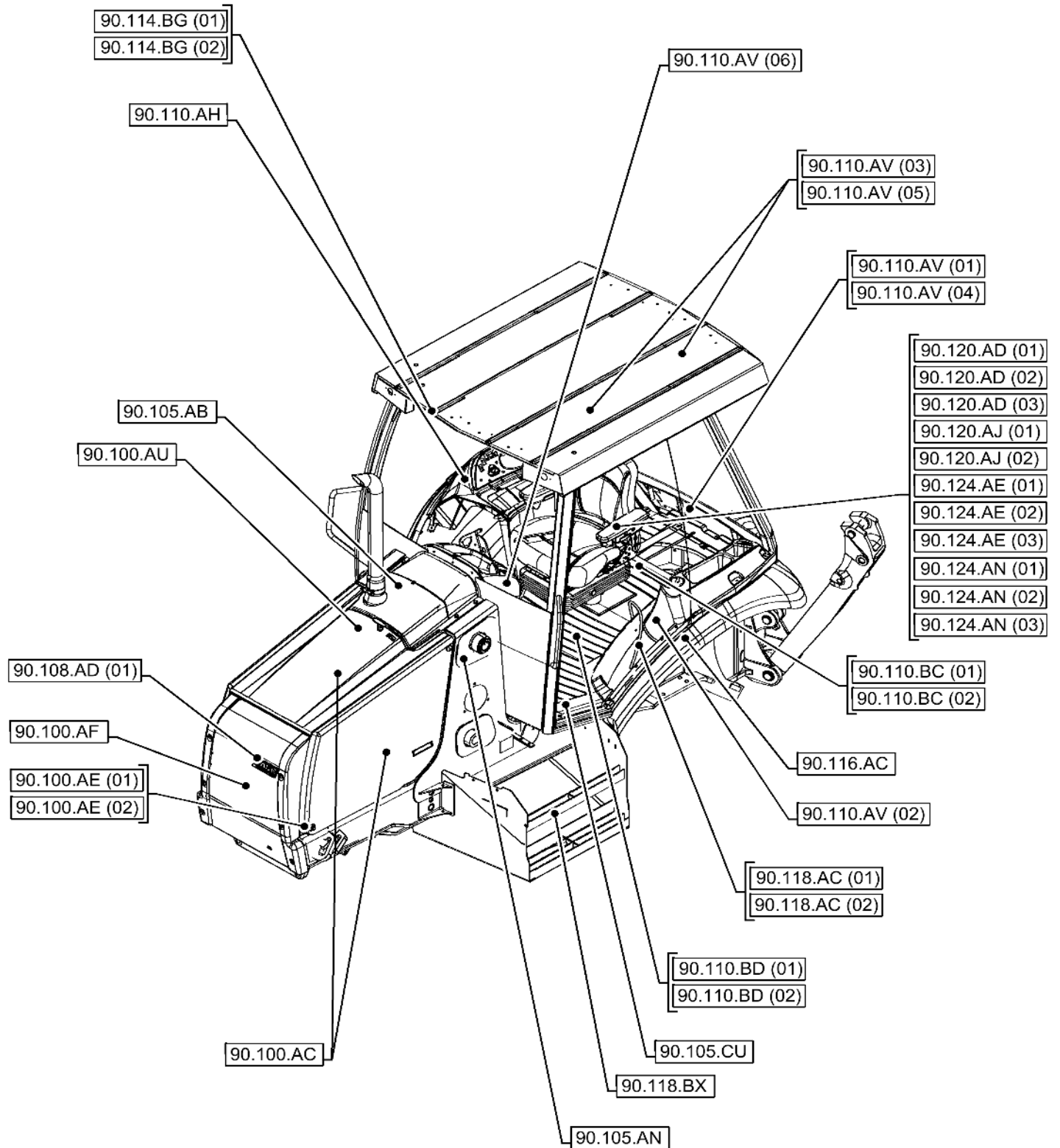
90.000.00

02

p1

10/201  
9

SECTION INDEX - PLATFORM, CAB, BODYWORK & DECALS



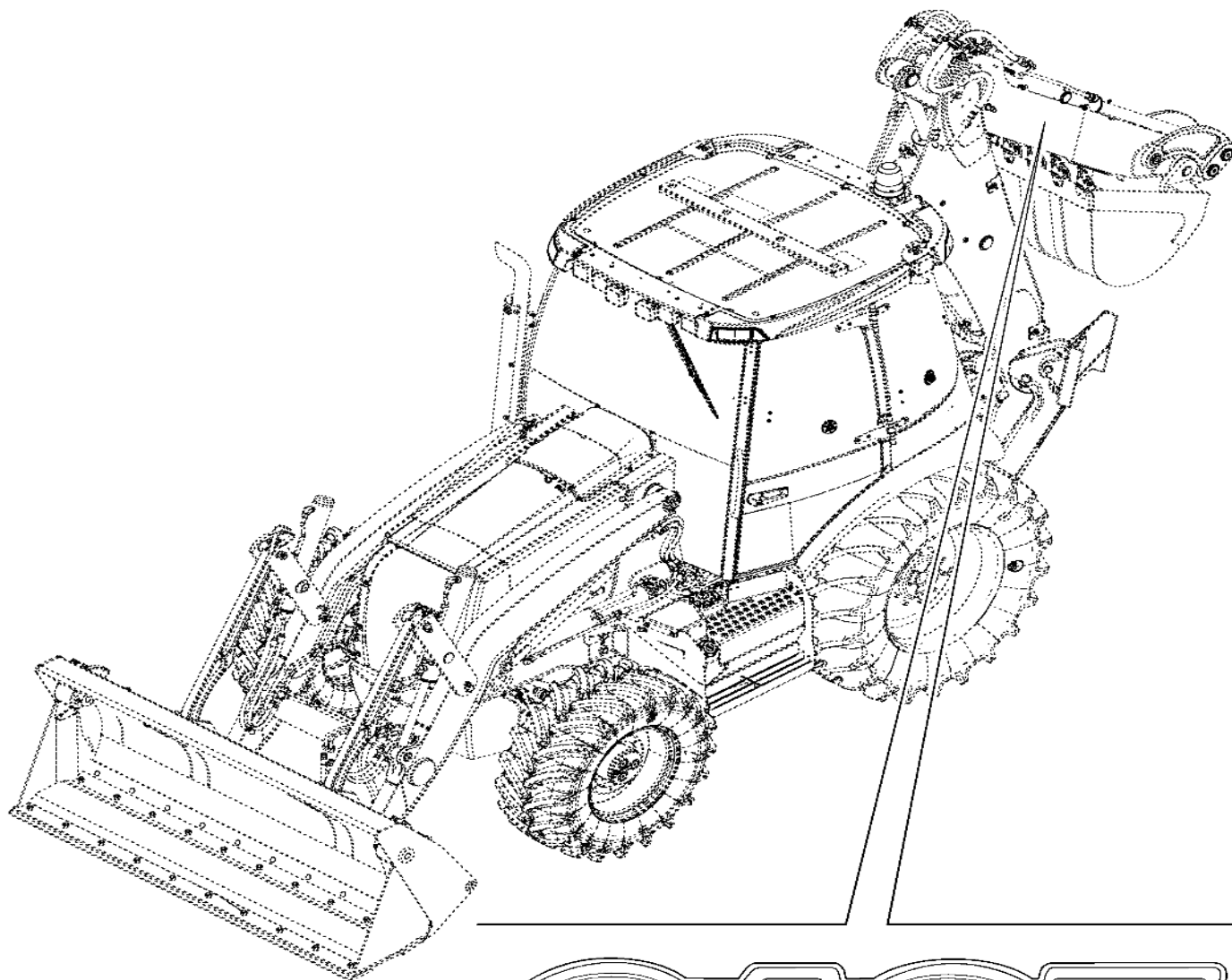
90.108.AB

02

p1

10/201  
9

VAR - 423076 - MODEL IDENTIFICATION DECAL



CASE

1  
2

EXTENDAHOE

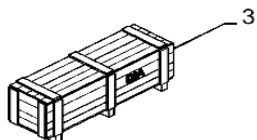


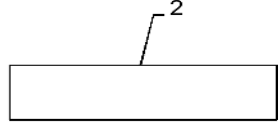
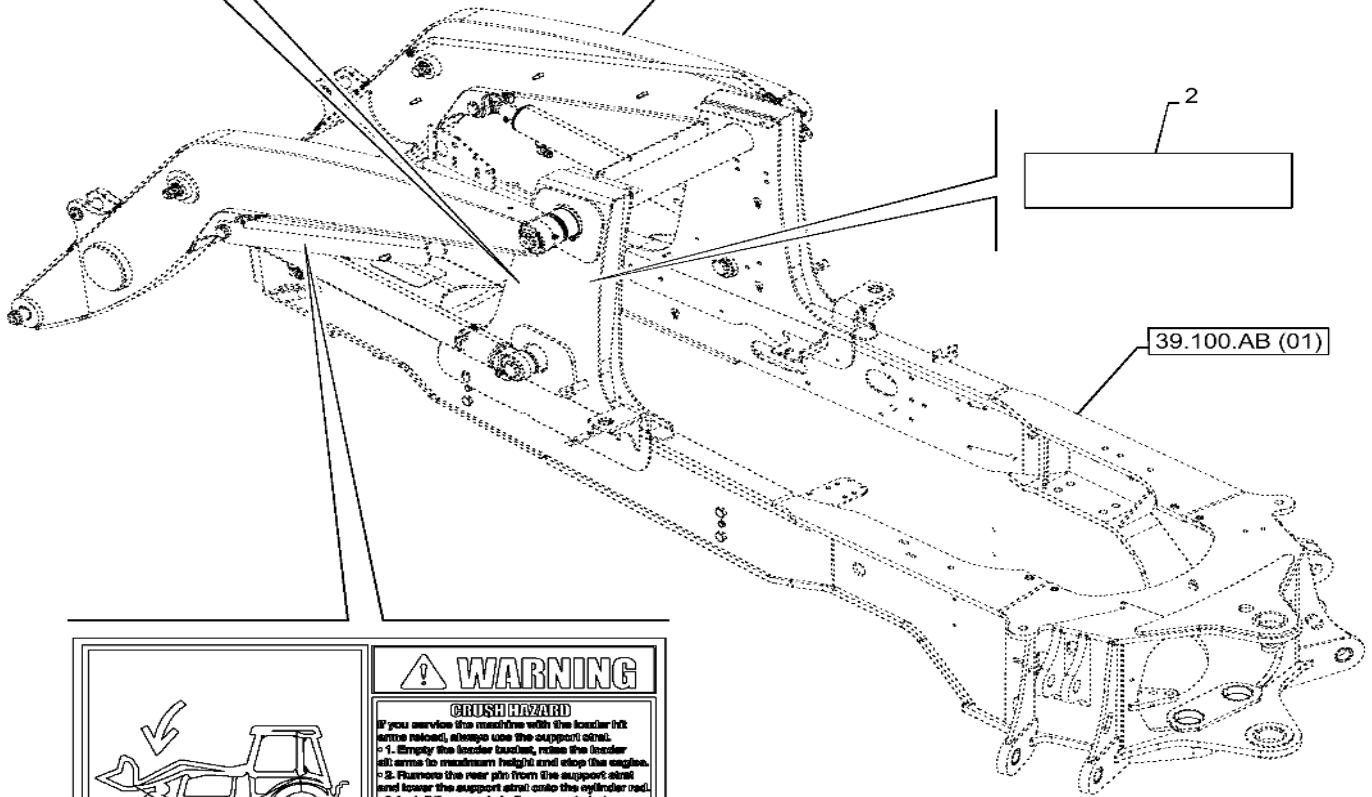
Figure is Valid with Industrial Var. 423076

VAR - 747882, 747883 - WARNING DECAL, FRONT LOADER

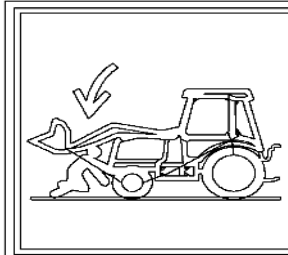


1

82.100.AF (01)



39.100.AB (01)



**WARNING**  
**CRUSH HAZARD**  
If you service the machine with the loader lift arms raised, always use the support strut.  
- 1. Empty the loader bucket, raise the loader lift arms to maximum height and stop the engine.  
- 2. Flare the rear pin from the support strut and lower the support strut onto the cylinder rod.  
- 3. Install the rear pin in the support strut.  
- 4. Slowly lower the lift arms onto the support strut.  
If you do not follow this procedure, you can cause serious injury or death if the loader lift arms are lowered by accident. See the Service Manual.

3



Figure is Valid with Industrial Var. 747882, 747883 and Option X470086X

VAR - 747882, 747883 - WARNING DECAL, MECHANICAL, CONTROL

**CAUTION** OPERATE BACKHOE FROM SEAT POSITION ONLY FOR TRANSPORT. USE OVERCENTER POSITION WITH BUCKET STRAIGHT TO REAR.

**IMPORTANT** DUE TO POSSIBLE INTERFERENCE WITH STABILIZER OR TRACTOR CAUTION MUST BE USED WHEN SWINGING BOOM TO EXTREME LEFT OR RIGHT POSITION.

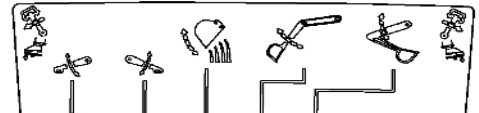
**CAUTION** OPERATE BACKHOE FROM SEAT POSITION ONLY FOR TRANSPORT. USE OVERCENTER POSITION WITH BUCKET STRAIGHT TO REAR.

**IMPORTANT** DUE TO POSSIBLE INTERFERENCE WITH STABILIZER OR TRACTOR CAUTION MUST BE USED WHEN SWINGING BOOM TO EXTREME LEFT OR RIGHT POSITION.

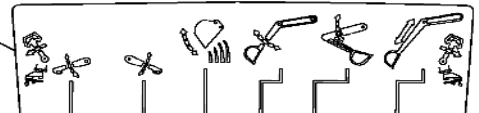
EXTREME

1

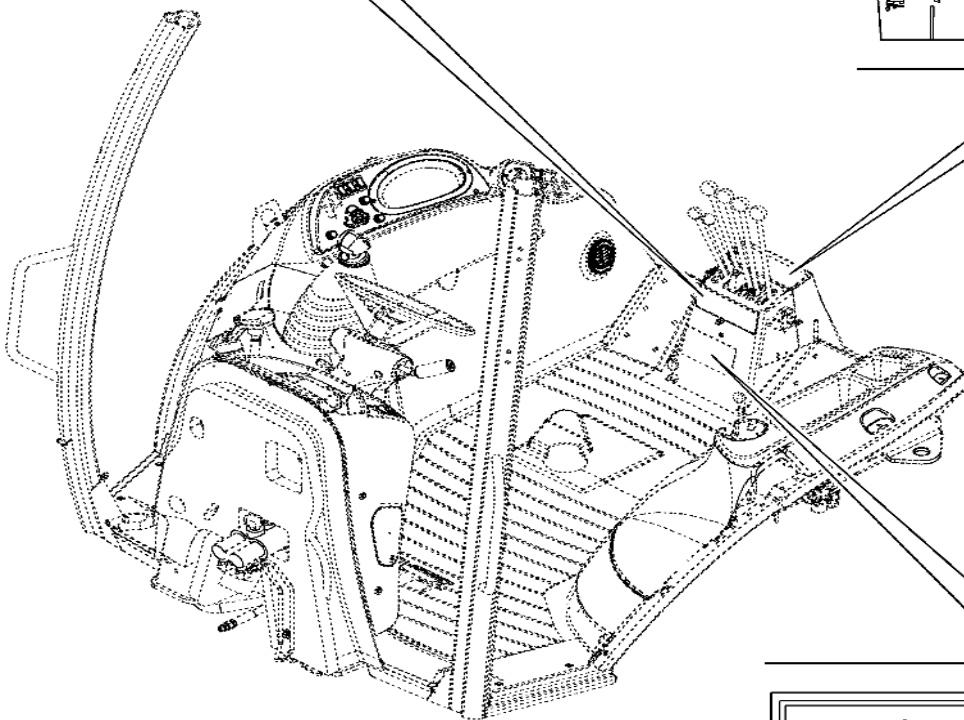
2



3



4

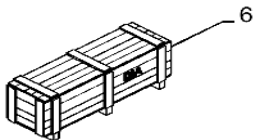


**WARNING**

**ROLLOVER CRUSH HAZARD**

Lifting too heavy a load can cause machine rollover or loss of operator control. See "LIFTING WITH THE BACKHOE" in the Operator's Manual.

5



6



Figure is Valid with Industrial Var. 747882, 747883 and Option X470086X

90.108.AE

04

p1

10/201  
9

VAR - 423058, 423059 - DECAL, POWERSHUTTLE TRANSMISSION, FUSE, RELAY

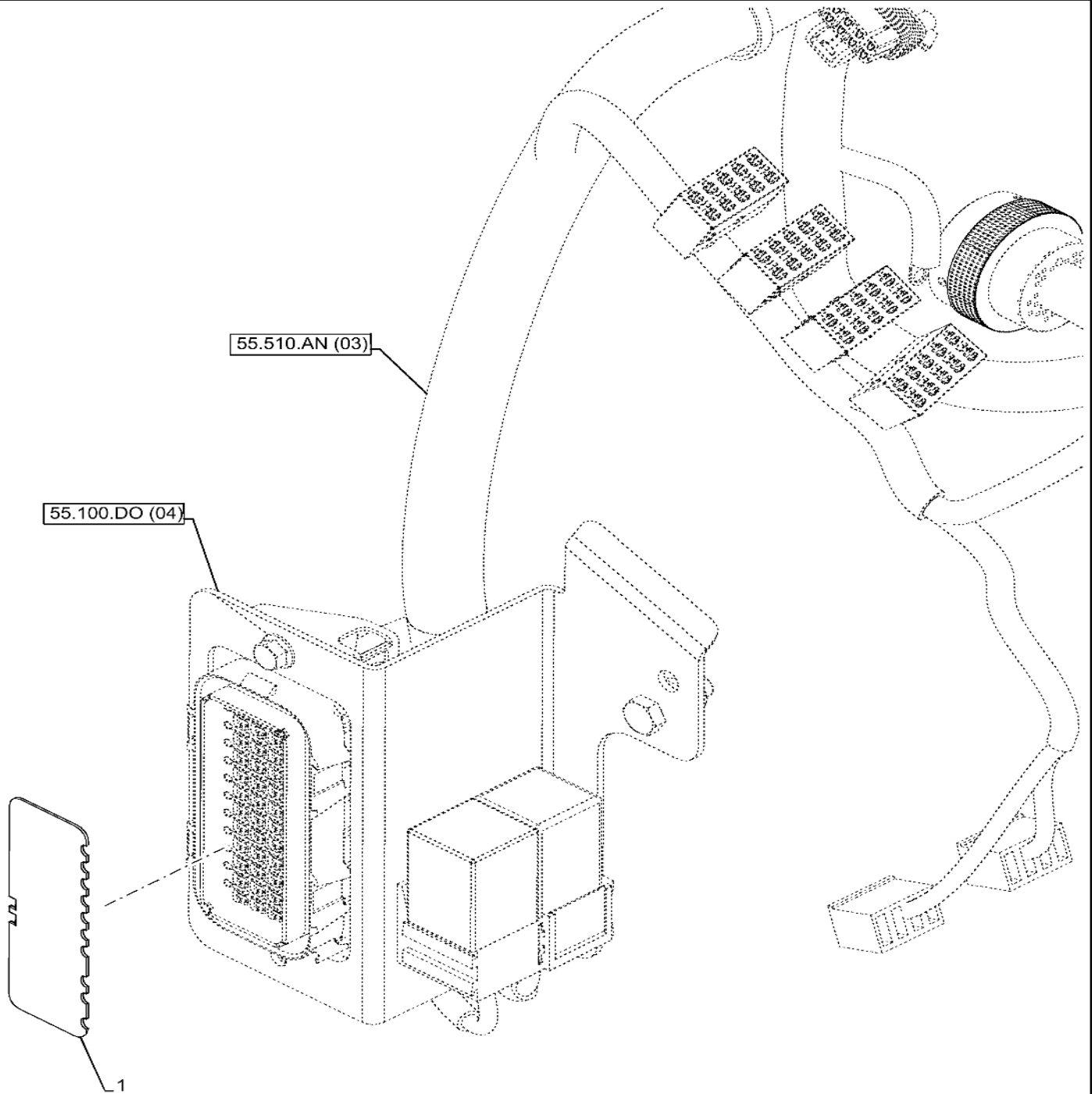


Figure is Valid with Industrial Var. 423058, 423059; Part Included in Transmission Harness 47512897

**90.110.AV**

05

p1

10/201  
9

VAR - 423000, 442082 - OPERATORS COMPARTMENT - PANEL

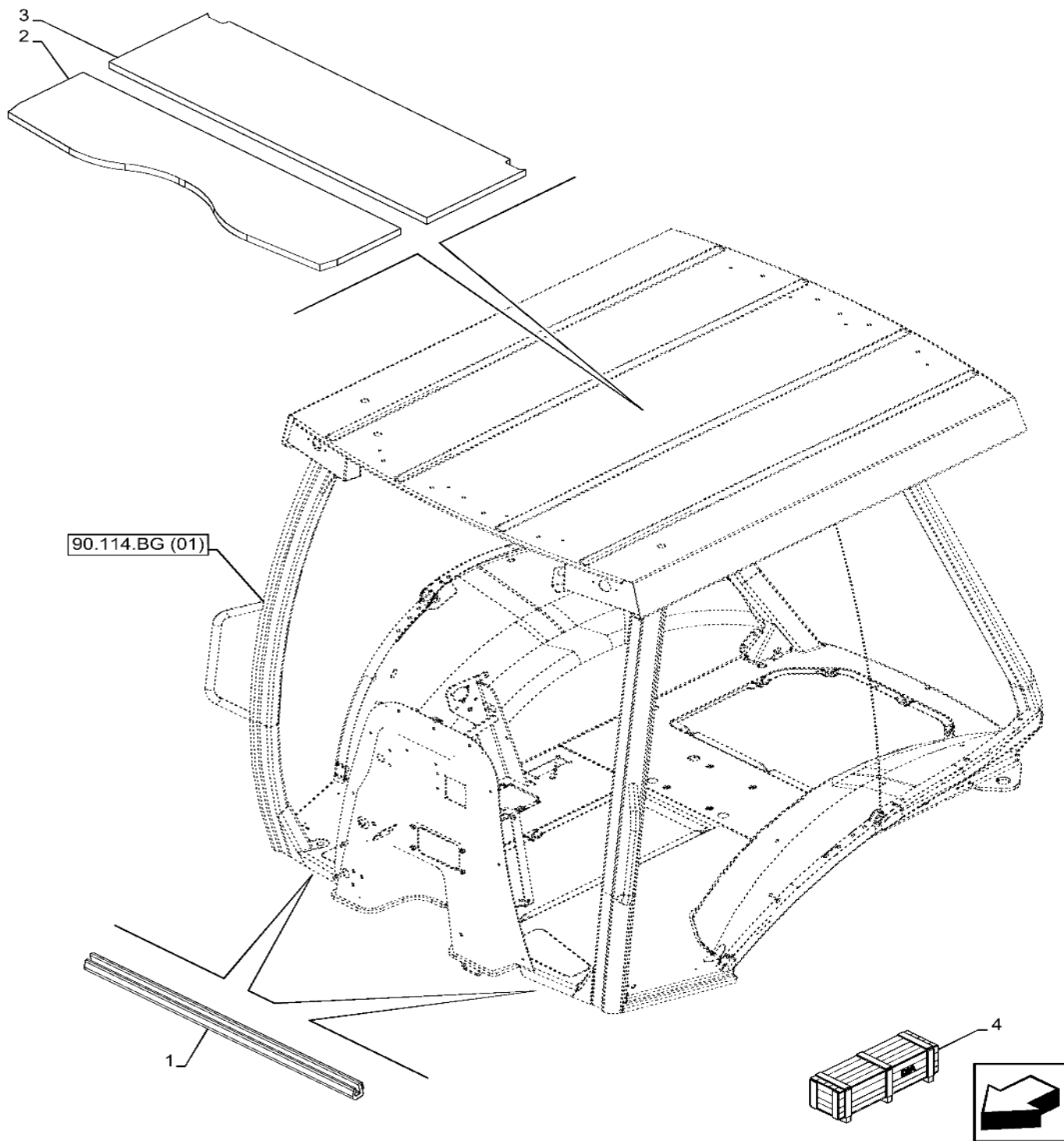


Figure is Valid with Industrial Var. 423000, 442082

90.120.AJ

01

p1

10/201  
9

VAR - 747770 - SEAT, MECHANICAL SUSPENSION, PEDESTAL

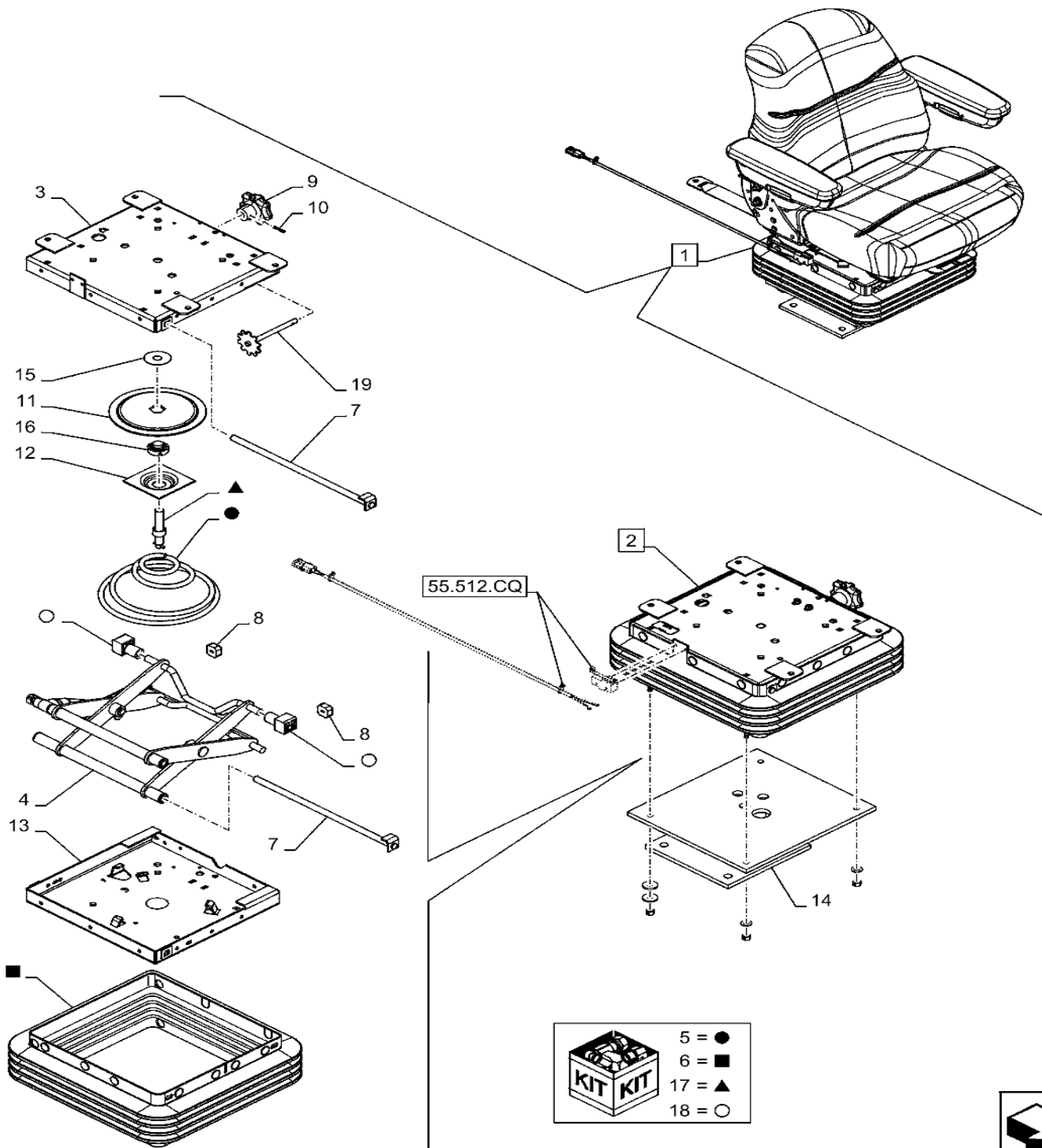


Figure is Valid with Industrial Var. 747770

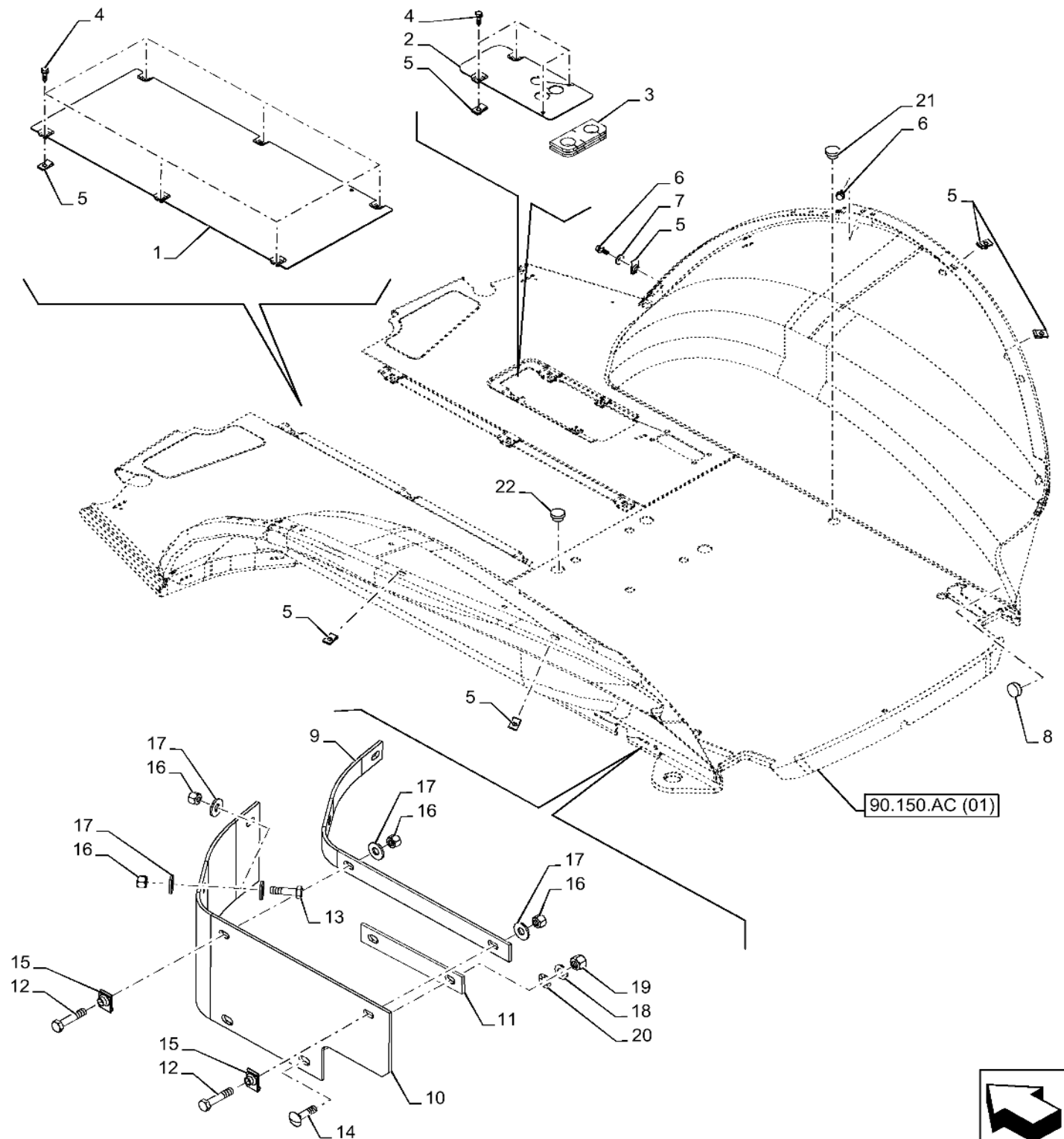
90.150.AW

01

p1

10/201  
9

CAB FLOOR, PANEL



90.154.AA

01

p1

10/201  
9

VAR - 747853, 747854, 747855 - CAB, WIDE, LEFT DOOR, FRAME

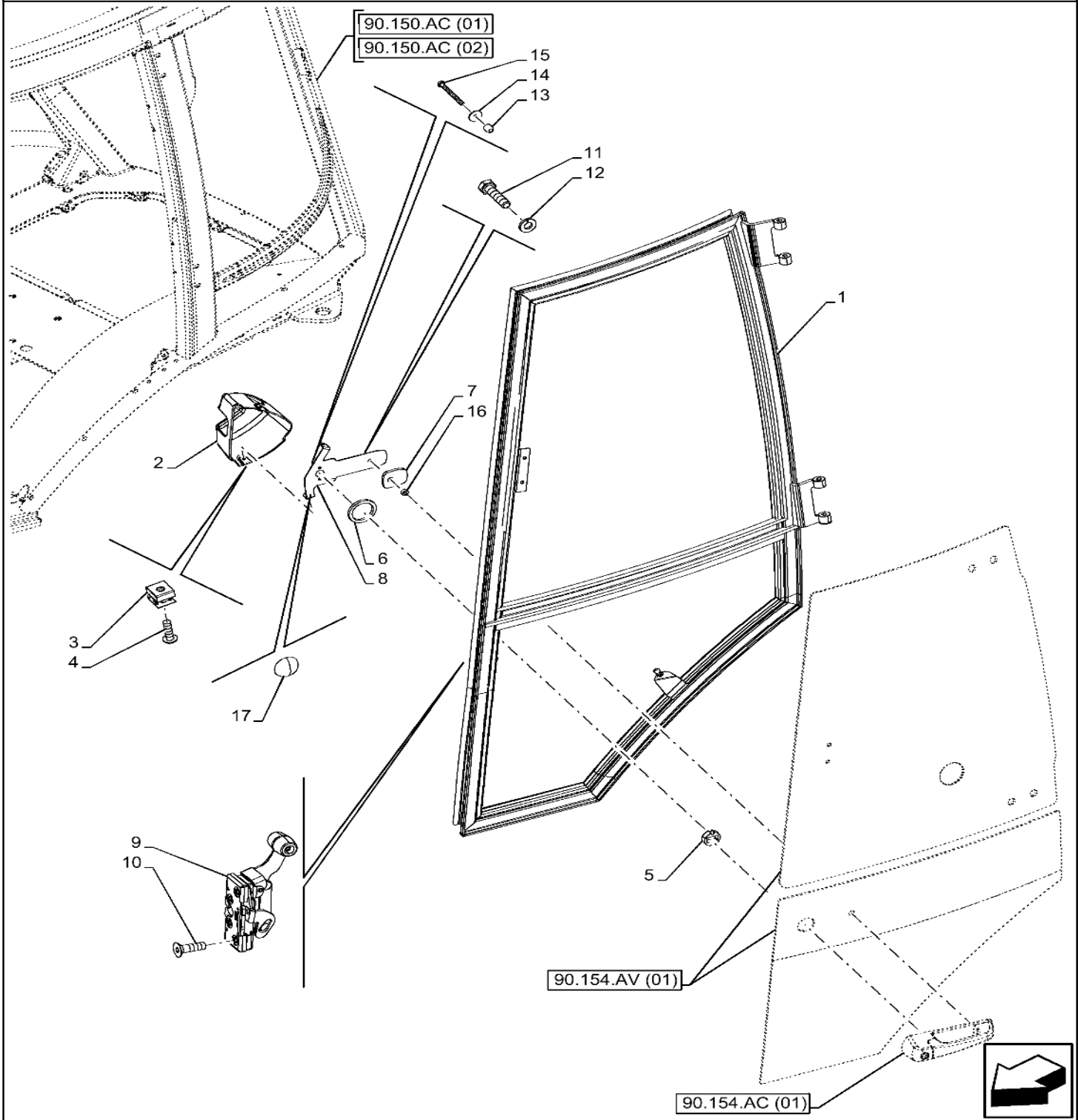


Figure is Valid with Industrial Var. 747853, 747854, 747855

**90.156.AA**

02

p1

10/201  
9

VAR - 747853, 747854, 747855 - CAB, WIDE, REAR WINDOW, UPPER LEFT LATCH

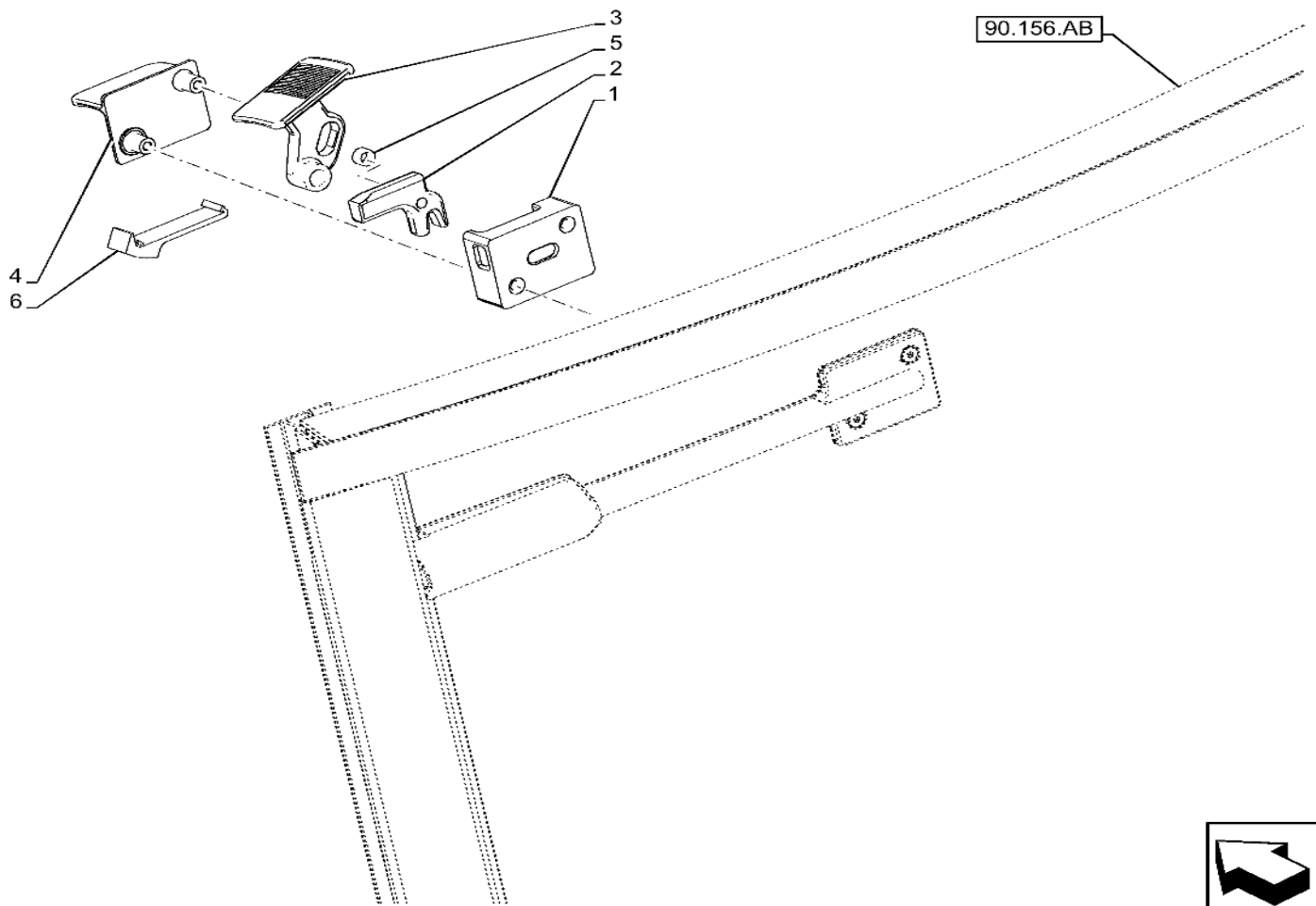


Figure is Valid with Industrial Var. 747853, 747854, 747855

**90.156.AQ**

01

p1

10/201  
9

VAR - 747853, 747854, 747855 - CAB, WIDE, LEFT LATERAL WINDOW

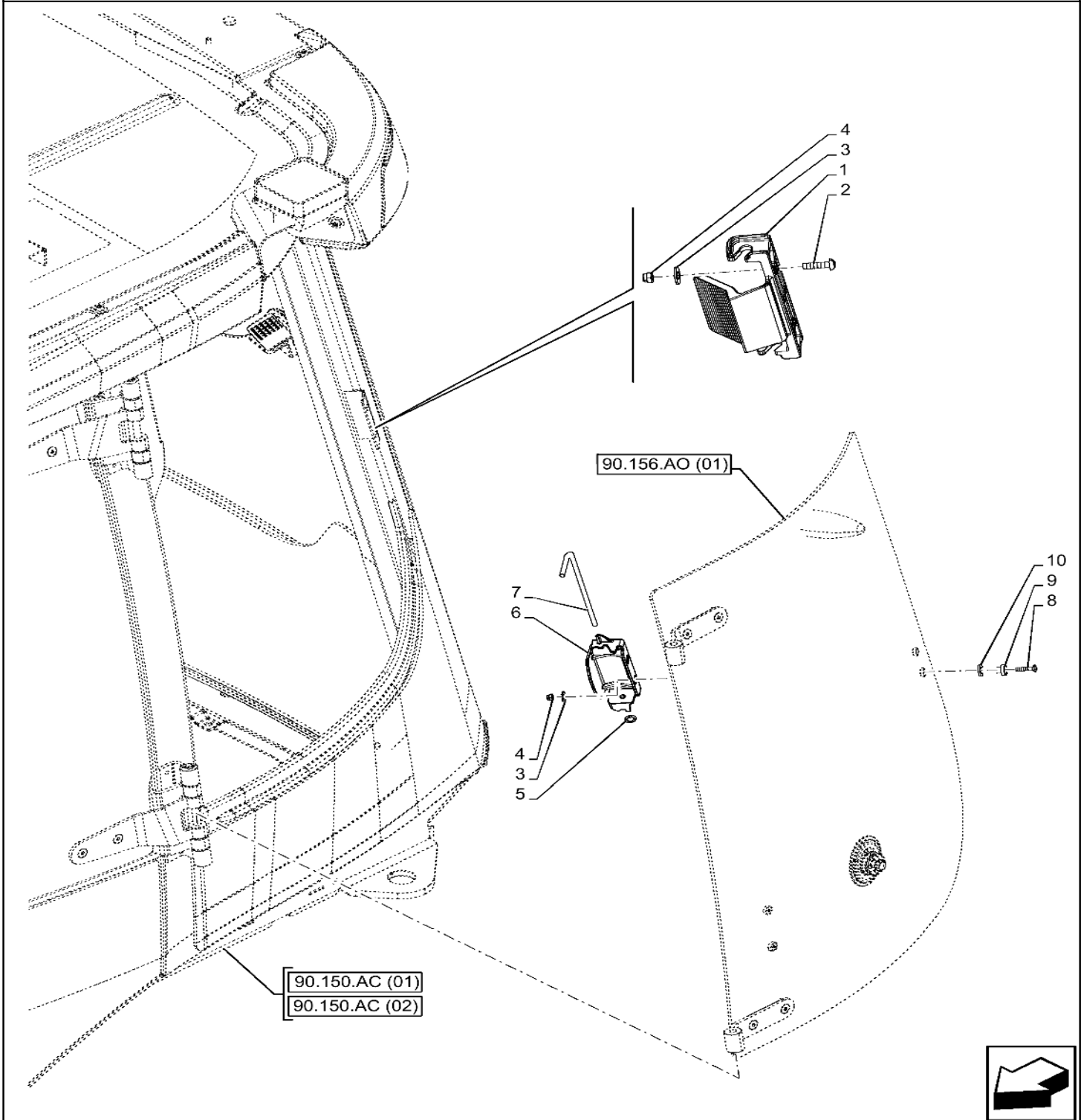


Figure is Valid with Industrial Var. 747853, 747854, 747855

90.160.AR

02

p1

10/2019

WIDE CAB, FLOOR MAT, REAR, MECHANICAL CONTROL

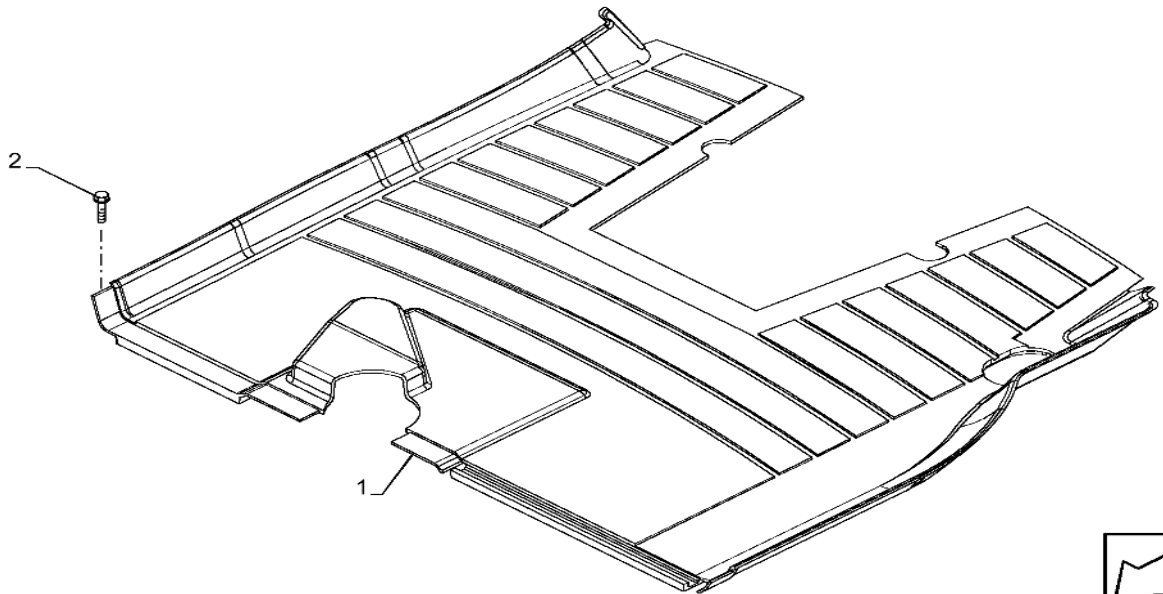
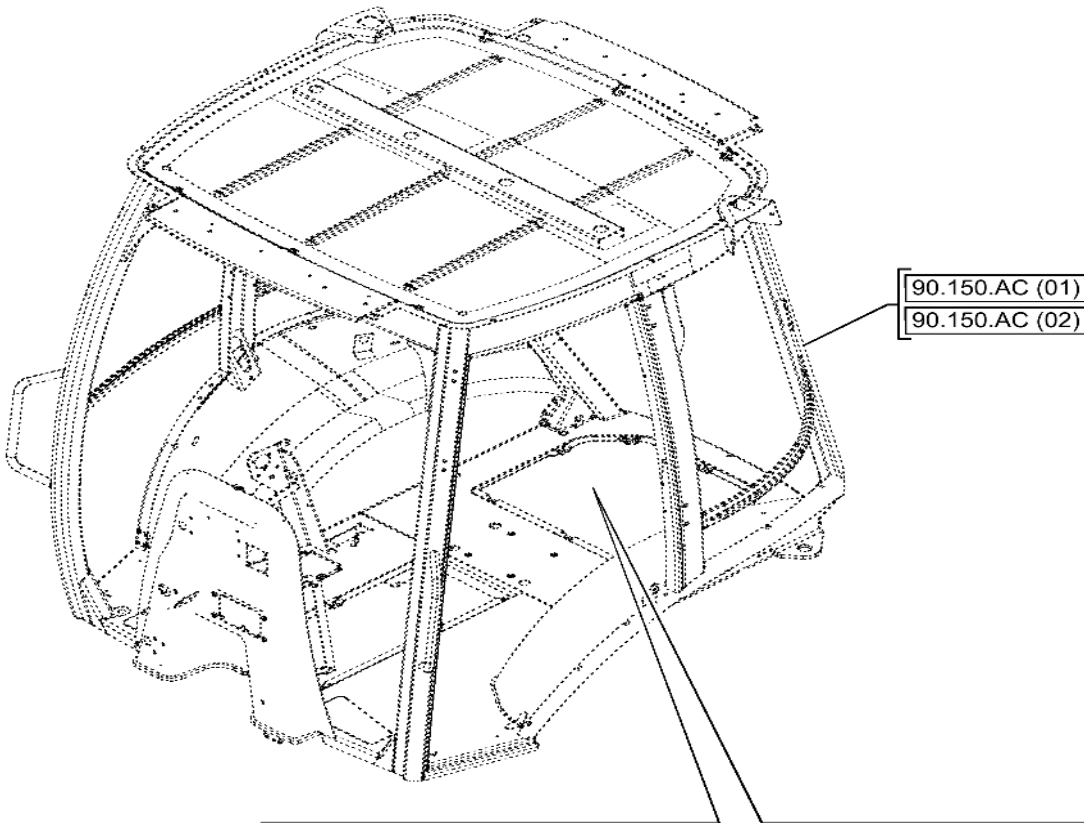


Figure is Valid with Industrial Var. 423000 Delux Canopy W/Windscreen only when Var. 747853, 747854, 747855 Cab 1 and 2 Door W/Heat & A/C or Var. 742369 2 Lever Controls or Var. X20038X Foot Swing Controls is Equipped.

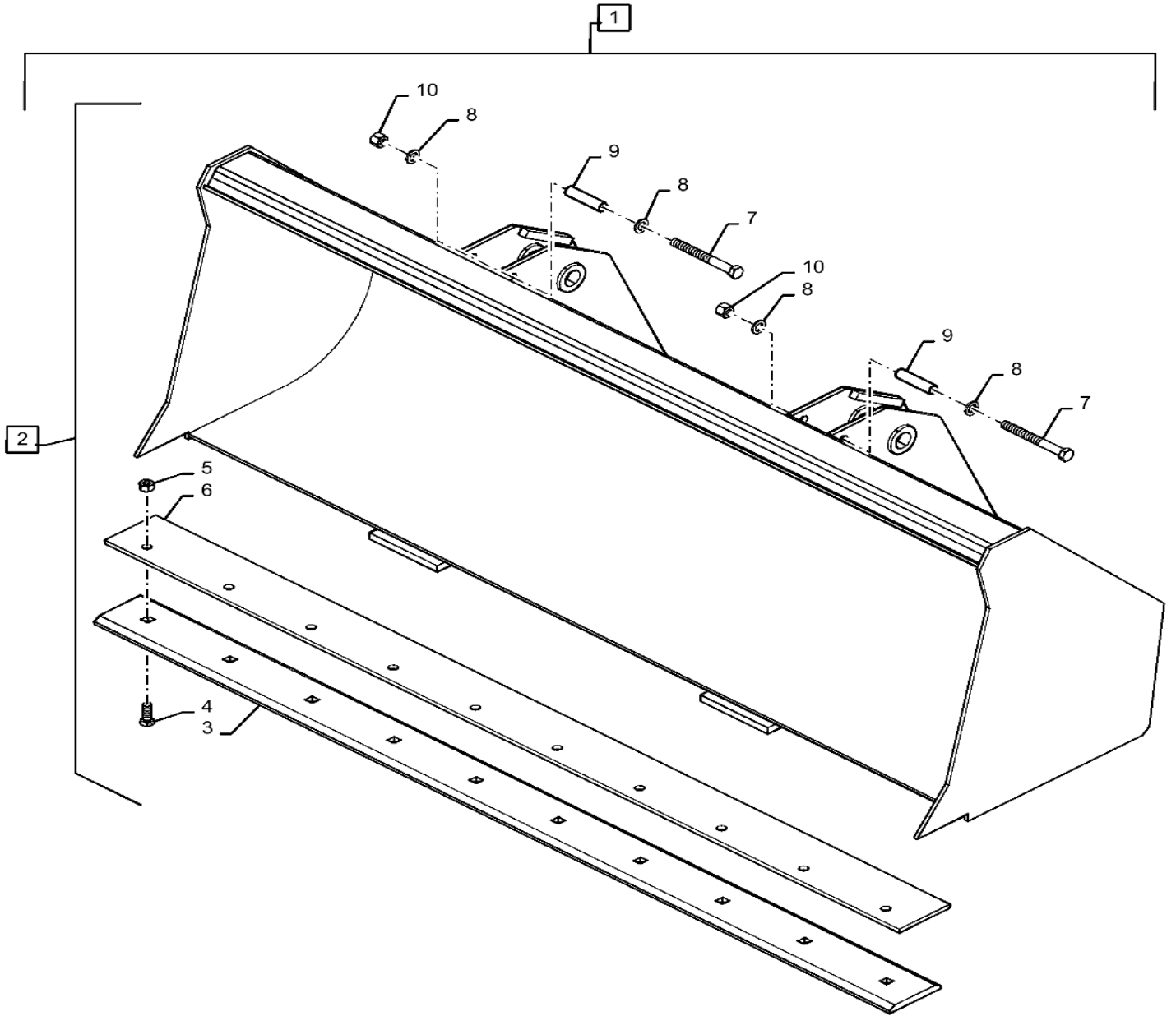
95.100.010

02

p1

10/201  
9

BUCKET, 1.25 YD - 93INCH/2362MM LL



Order from Ship Direct

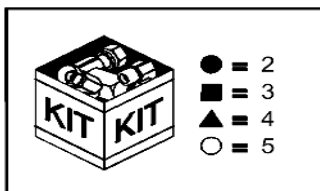
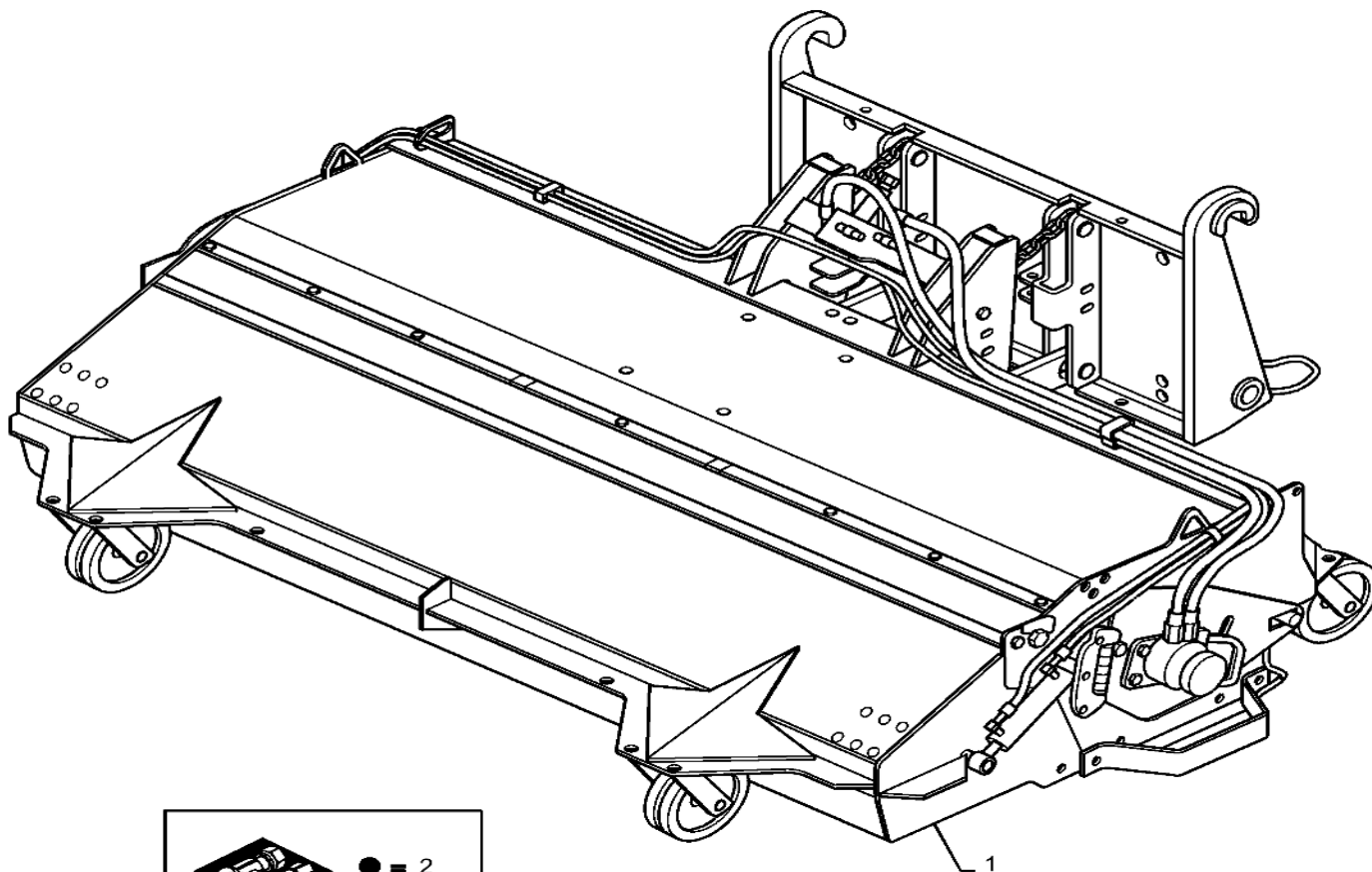
95.100.070

03

p1

10/201  
9

BROOM, DUAL - 96"



Order from Ship Direct

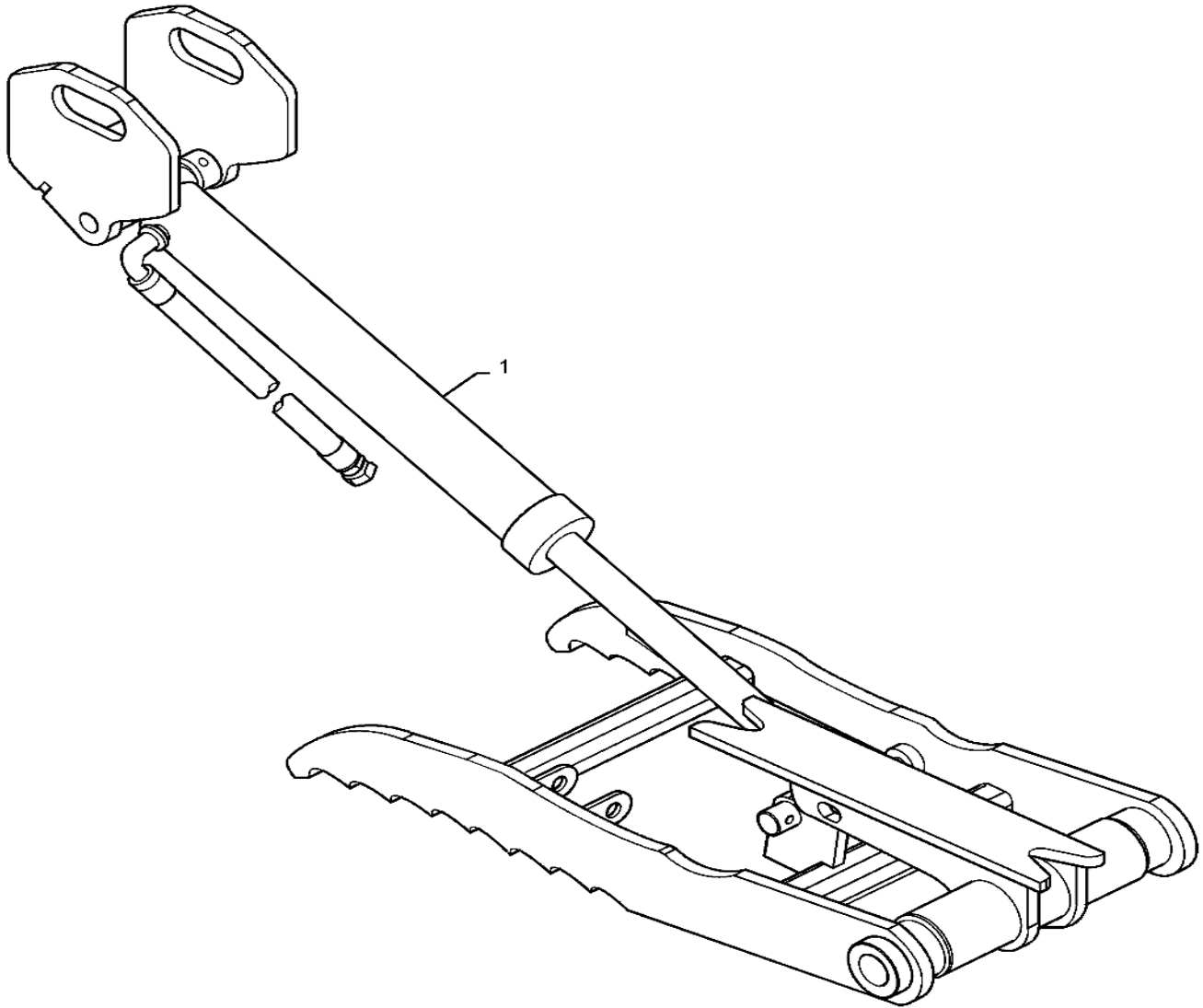
**95.100.110**

02

p1

10/201  
9

THUMB - STD DIPPER, HI-CAP BUCKET



Order from Ship Direct, Contact Ship Direct for Service Parts

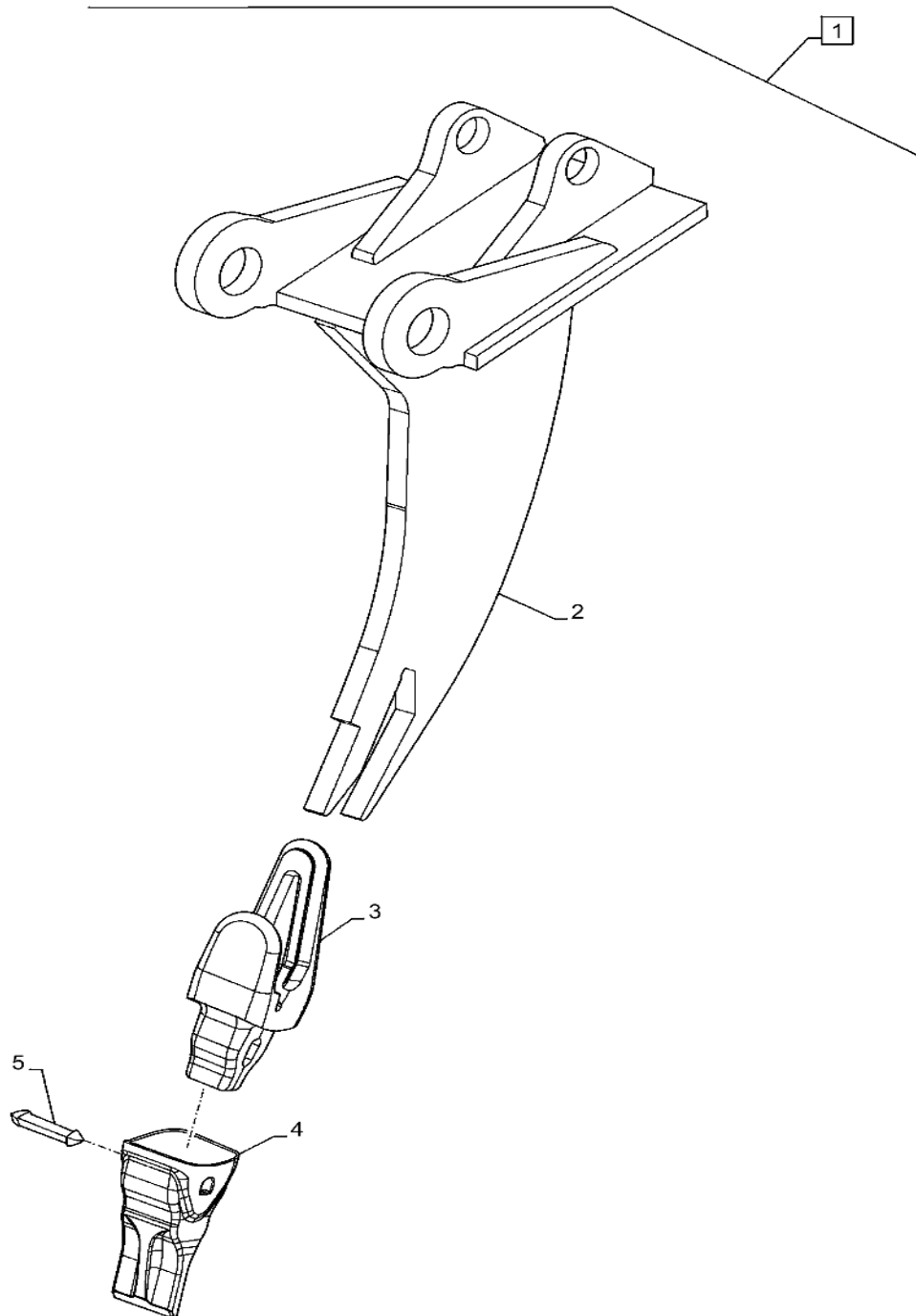
95.100.170

01

p1

10/201  
9

RIPPER



Order from Ship Direct

INDEX - INDICE - INDEX - ZAHLENVERZEICHNIS - INDICE - INDICE - INDHOLD - INHOUD

Number	Figure	Sequence	Ref.	Number	Figure	Sequence	Ref.
47491458	55.036.AO	04	1	47501543	35.525.AA	02	8
47492818	55.512.AA	01	2	47501543	35.525.AA	08	8
47492818	55.512.AA	02	2	47501543	35.525.AA	11	11
47497777	35.106.AO	01	2	47501543	35.525.AA	12	9
47499504	90.154.AC	01	6	47501543	35.525.AA	18	9
47499504	90.154.AC	02	8	47501543	35.525.AA	19	6
47499504	90.156.AO	01	10	47501543	35.525.AA	20	8
47499504	90.156.AO	02	8	47501543	35.525.AI	03	8
47499504	90.156.AQ	01	8	47501543	35.525.AI	04	3
47499504	90.156.AQ	02	3	47501543	35.525.AJ	01	9
47499504	90.156.AS		9	47501543	35.525.AJ	02	4
47499507	90.154.AC	01	8	47501543	35.726.AU	01	27
47499507	90.154.AC	02	10	47501543	55.036.AO	03	4
47499507	90.156.AO	01	12	47501543	55.100.AI	03	3
47499507	90.156.AQ	01	10	47501543	55.512.CF	01	2
47499507	90.156.AQ	02	5	47501543	55.640.AG	02	2
47499507	90.156.AS		10	47501543	84.910.AA	02	6
47501542	35.357.AG	01	12	47501543	88.100.35	00	8
47501542	35.357.AN	06	10	47501543	88.100.55	02	1
47501542	35.359.AB	16	12	47501544	35.357.AG	01	12
47501542	35.359.AB	24	11	47501544	35.357.AN	04	10
47501542	35.359.AE	02	7	47501544	35.357.AR	01	9
47501542	35.525.AA	02	8	47501544	35.359.AB	14	11
47501542	35.525.AA	08	8	47501544	35.359.AB	24	11
47501542	35.525.AA	11	11	47501544	35.359.AC	02	6
47501542	35.525.AA	12	9	47501544	35.359.AE	01	7
47501542	35.525.AA	18	9	47501544	35.525.AA	02	8
47501542	35.525.AA	19	6	47501544	35.525.AA	08	8
47501542	35.525.AA	20	8	47501544	35.525.AA	11	11
47501542	35.525.AI	03	8	47501544	35.525.AA	12	9
47501542	35.525.AI	04	3	47501544	35.525.AA	18	9
47501542	35.525.AJ	01	9	47501544	35.525.AA	19	6
47501542	35.525.AJ	02	4	47501544	35.525.AA	20	8
47501542	55.036.AO	03	4	47501544	35.525.AI	03	8
47501542	55.100.AI	03	3	47501544	35.525.AI	04	3
47501542	55.512.CF	01	2	47501544	35.525.AJ	01	9
47501542	55.640.AG	02	2	47501544	35.525.AJ	02	4
47501542	84.910.AA	02	6	47501544	55.036.AO	03	4
47501542	88.100.35	00	7	47501544	55.100.AI	03	3
47501543	35.357.AG	01	12	47501544	55.512.CF	01	2
47501543	35.357.AN	04	10	47501544	55.640.AG	02	2
47501543	35.357.AR	01	9	47501544	84.910.AA	02	6
47501543	35.359.AB	14	11	47501544	88.100.35	00	8
47501543	35.359.AB	24	11	47501545	35.359.AC	02	6
47501543	35.359.AC	02	6	47501545	35.359.AE	01	7
47501543	35.359.AE	01	7	47501545	35.525.AA	08	8

INDEX - INDICE - INDEX - ZAHLENVERZEICHNIS - INDICE - INDICE - INDHOLD - INHOUD

Number	Figure	Sequence	Ref.	Number	Figure	Sequence	Ref.
84270949	35.734.AA	03	2	84275116	35.734.AC	01	2
84270950	35.734.AA	03	20	84275116	35.734.AC	03	2
84271200	84.114.AI	01	18	84275476	25.102.AD		7
84271320	25.310.AB		11	84275492	55.518.AW	02	3
84271717	05.100.02		96	84275492	88.100.90	00	12
84271717	05.100.04	03	5	84275492	90.108.AC	03	3
84271717	55.100.DO	01	14	84275492	90.110.AV	03	4
84271717	55.100.DO	08	8	84275784	39.140.AM	01	5
84271717	55.100.DO	09	8	84275784	39.140.AM	02	5
84272032	35.723.AB	02	30	84275784	88.100.39	00	4
84272055	25.310.AB		6	84276108	90.124.AE	03	1
84273236	35.359.AB	01	1	84276108	90.124.AN	03	1
84273236	35.359.AB	38	1	84276124	55.512.CQ		3
84273237	35.359.AB	02	1	84276125	55.512.CQ		1
84273237	35.359.AB	41	1	84276125	90.124.AN	01	16
84273238	35.359.AB	04	1	84276125	90.124.AN	02	16
84273238	35.359.AB	43	1	84276125	90.124.AN	03	16
84273243	35.359.AB	03	1	84276126	55.512.CQ		2
84273243	35.359.AB	42	1	84276127	90.124.AN	01	18
84273245	35.359.AB	06	1	84276127	90.124.AN	02	18
84273245	35.359.AB	45	1	84276127	90.124.AN	03	18
84273247	35.359.AB	05	1	84276128	90.124.AN	01	32
84273247	35.359.AB	44	1	84276128	90.124.AN	02	32
84273249	35.359.AB	08	1	84276128	90.124.AN	03	34
84273249	35.359.AB	47	1	84276556	35.359.AB	44	4
84273250	35.359.AB	07	1	84276556	35.359.AB	44A	4
84273250	35.359.AB	46	1	84276556	35.359.AB	45	4
84273740	25.108.AG	01	4	84276556	35.359.AB	45A	4
84273740	25.108.AG	02	4	84276556	35.359.AB	46	4
84273742	25.102.AD		9	84276556	35.359.AB	46A	4
84273744	25.102.AD		11	84276556	35.359.AB	47	4
84273748	25.100.AD		13	84276556	35.359.AB	47A	4
84274691	25.102.AC		3	84276557	35.359.AB	42A	4
84274694	35.300.AN	02	3	84276557	35.359.AB	43A	4
84274993	88.100.35	00	73	84276557	35.359.AB	46A	13
84274993	95.100.070	02	1	84276557	35.359.AB	47A	13
84274994	88.100.35	00	74	84276565	41.106.AD	02	2
84274994	95.100.070	03	1	84276953	41.216.AN	02	3
84274995	95.100.070	02	2	84276994	41.216.AN	02	4
84274995	95.100.070	03	2	84276995	41.216.AN	02	6
84274997	95.100.070	02	3	84276996	41.216.AN	02	5
84274997	95.100.070	03	3	84276997	88.100.39	00	5
84274998	95.100.070	02	4	84276999	88.100.39	00	6
84274998	95.100.070	03	4	84278155	35.359.AE	03	5
84275002	90.108.AC	20	1	84278155	35.359.AE	17	1
84275042	35.525.AA	19	1	84278195	55.024.AE	01	1

INDEX - INDICE - INDEX - ZAHLENVERZEICHNIS - INDICE - INDICE - INDHOLD - INHOUD

Number	Figure	Sequence	Ref.	Number	Figure	Sequence	Ref.
87438046	35.726.AE	11	12	87446081	10.400.BF		12
87439032	35.357.AK	01	4	87446082	10.400.BF		11
87439033	35.357.AK	01	3	87446113	35.359.AF	05	12
87439210	90.110.BC	01	8	87446113	35.359.AF	11	12
87439213	35.357.AO	02	1	87447450	41.101.AB	04	7
87439215	35.357.AO	02	4	87447477	35.359.AB	16	11
87439665	35.703.AD		12	87447477	88.100.35	24	3
87440058	35.359.AF	03	9	87447477	88.100.35	27	3
87440058	35.359.AF	09	7	87447477	88.100.35	29	3
87440283	90.105.AB		2	87449374	35.739.AN	02	22
87440381	35.357.AB	03	12	87449579	33.202.BE	01	10
87440704	35.357.AB	02	4	87449995	35.356.AW	01	4
87440706	35.357.AB	02	5	87449996	35.356.AW	01	5
87440710	35.357.AB	02	2	87450318	35.732.AE	02	1
87440711	35.357.AB	01	1	87450914	35.357.AB	03	16
87440711	35.357.AB	02	1	87451933	88.100.35	27	5
87440712	35.357.AB	04	1	87452404	35.355.AK	01	13
87440835	35.357.AR	03	3	87452406	35.355.AK	01	17
87440837	35.357.AR	03	1	87454376	10.400.AK		11
87441569	88.100.82	00	26	87454547	35.359.AB	48	12
87441570	88.100.82	00	27	87454907	35.723.AA	05	14
87441572	88.100.82	00	10	87454908	35.723.AA	04	14
87441572	88.100.82	05	1	87455458	35.723.AA	03	1
87441572	95.100.080	02	1	87455458	35.723.AA	04	1
87441758	55.518.AP	02	20	87455459	35.723.AA	03	2
87441850	84.114.AI	01	1	87455459	35.723.AA	05	1
87441876	35.300.AB		1	87455580	05.100.02		43
87442376	90.105.CU		1	87455580	35.359.AB	30	20
87442377	90.105.CU		2	87455580	35.359.AB	31	16
87442409	35.357.AB	01	25	87455580	35.359.AB	38A	5
87442441	55.518.AB		6	87455580	35.359.AB	41A	5
87442441	55.518.AP	01	2	87455580	35.359.AB	42A	30
87442441	55.518.AP	02	17	87455580	35.359.AB	43A	31
87443692	35.357.AB	01	19	87455580	35.359.AB	44A	28
87443721	35.726.AE	02	4	87455580	35.359.AB	45A	29
87443721	35.726.AE	05	4	87455580	35.359.AB	46A	28
87443721	35.726.AE	07	4	87455580	35.359.AB	47A	28
87443721	35.726.AE	09	4	87455581	35.359.AB	39	4
87443721	35.726.AE	11	4	87455582	35.359.AB	39	5
87444147	90.100.AC		1	87455583	35.359.AB	39	6
87444148	90.100.AC		2	87455593	35.359.AB	40	4
87444149	84.114.AI	02	1	87455594	35.359.AB	40	5
87444776	90.108.AC	23	3	87455595	35.359.AB	40	6
87445051	90.156.AB		9	87455596	35.359.AB	40	7
87445245	84.114.AI	01	19	87455974	35.359.AB	40	3
87445557	35.357.AO	02	8	87455975	35.359.AB	39	3

CLICK HERE TO **DOWNLOAD** THE COMPLETE MANUAL

- Thank you very much for reading the preview of the manual.
- You can download the complete manual from: [www.heydownloads.com](http://www.heydownloads.com) by clicking the link below



- Please note: If there is no response to **CLICKING** the link, please download this PDF first and then click on it.

CLICK HERE TO **DOWNLOAD** THE COMPLETE MANUAL