

All rights reserved by **CNHi**.

The information contained in this catalogue is intended to be of a general nature only. **CNHi** may at any time and from time to time, for technical or other necessary reasons, modify any of the details or specifications of the product described in this catalogue.

To be sure of getting accurate, detailed and up-to-date information, an intending buyer should consult his nearest **CNHi** dealer or distributor.

Single item numeration method used in this catalogue may not be used without written consent from **CNHi**.

CLICK HERE TO **DOWNLOAD** THE COMPLETE MANUAL

- Thank you very much for reading the preview of the manual.
- You can download the complete manual from: www.heydownloads.com by clicking the link below



- Please note: If there is no response to CLICKING the link, please download this PDF first and then click on it.

CLICK HERE TO **DOWNLOAD** THE COMPLETE MANUAL

TABLE OF CONTENTS

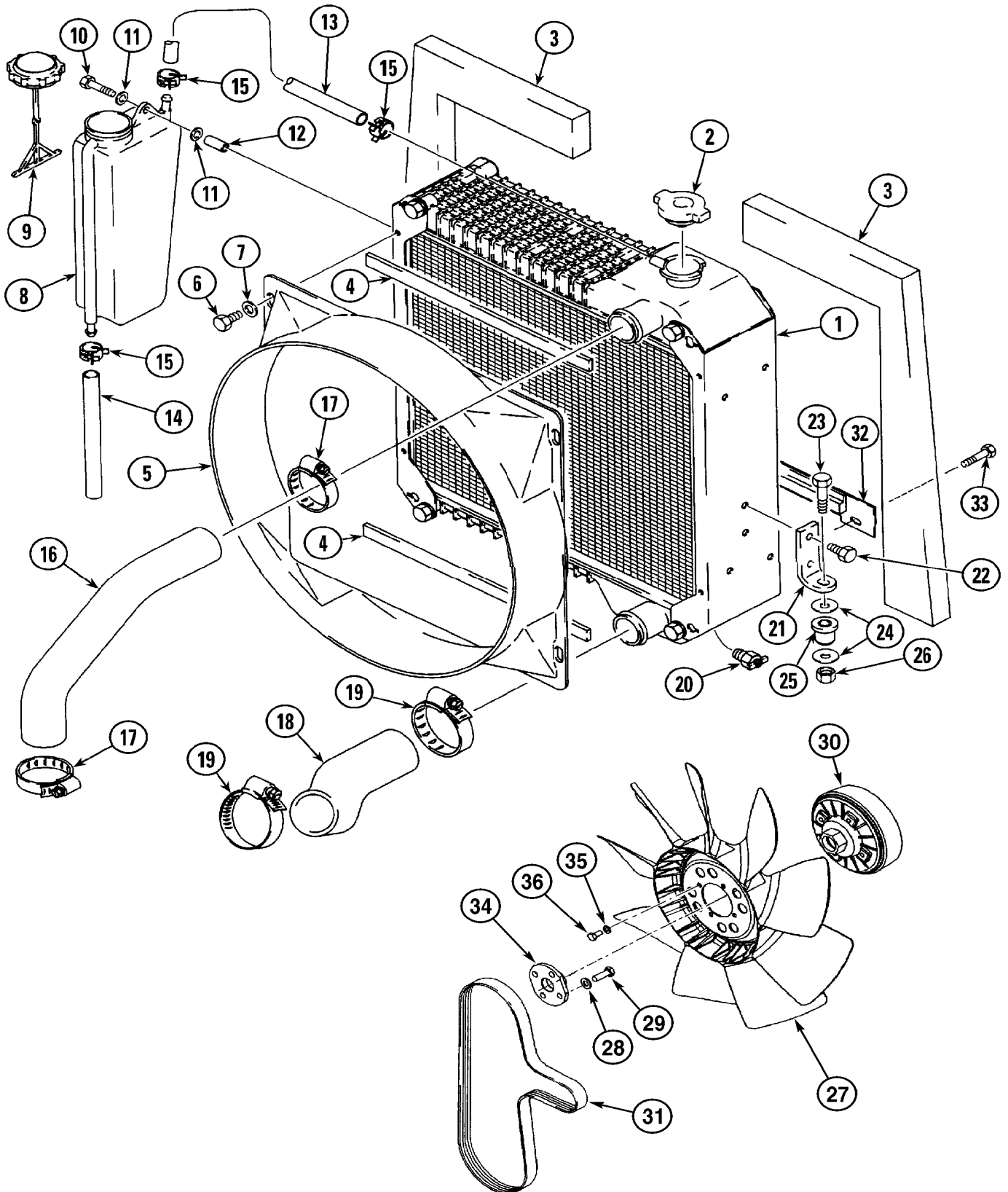
| | |
|--------|--|
| 09-169 | COWL - ENGINE - EMISSIONS CERTIFIED ENGINE, 580SLE CGG0160030- |
| 09-173 | ENGINE HOOD CATCH RELEASE, 580SLE CGG0160030- |
| 09-175 | SHELDING FOR RESERVOIR PIPING, 580SLE CGG0160030- |
| 09-177 | OPERATORS COMPARTMENT - SEAT MOUNTING, 580SLE CGG0160030- |
| 09-179 | SAFETY BELT, 580SLE CGG0160030- |
| 09-181 | SAFETY BELT - AUSTRALIA, 580SLE CGG0160030- |
| 09-183 | SEAT - VERSION : ISRI, 580SLE CGG0160030- |
| 09-185 | SEAT - VERSION : CAB SEATING, 580SLE CGG0160030- |
| 09-189 | SEAT - SUSPENSION AND HORIZONTAL ADJUSTMENT - VERSION : ISRI, 580SLE CGG0160030- |
| 09-193 | SEAT - SLIDER AND SWIVEL PLATE - VERSION : ISRI, 580SLE CGG0160030- |
| 09-197 | SEAT - BACKREST AND HEIGHT ADJUSTMENT - VERSION : ISRI, 580SLE CGG0160030- |
| 09-201 | SEAT - BACKREST AND SEAT CUSHION - VERSION : ISRI, 580SLE CGG0160030- |
| 09-203 | SEAT - ARM REST - VERSION : ISRI, 580SLE CGG0160030- |
| 09-205 | MAT - OPERATORS COMPARTMENT, 580SLE CGG0160030- |
| 09-207 | FENDER - REAR - CANOPY, 580SLE CGG0160030- |
| 09-209 | FENDER - REAR - CAB, 580SLE CGG0160030- |
| 09-211 | HARDWARE - DEFLECTOR MUD - RIGHT, 580SLE CGG0160030- |
| 09-213 | FENDER - FRONT, 580SLE CGG0160030-CGG0162532 |
| 09-217 | FENDER - FRONT, 580SLE CGG0166316- |
| 09-219 | CAB - GLASS, 580SLE CGG0160030- |
| 09-221 | CANOPY - GLASS, 580SLE CGG0160030- |
| 09-223 | TRIM - CAB, 580SLE CGG0160030- |
| 09-225 | CAB DOOR, 580SLE CGG0160030- |
| 09-229 | CAB DOOR, 580SLE CGG0160030- |
| 09-233 | CAB DOOR, 580SLE CGG0160030- |
| 09-235 | CAB - REAR WINDOW, 580SLE CGG0160030- |
| 09-237 | TRIM - CAB, 580SLE CGG0160030- |
| 09-239 | SUN SHIELD, 580SLE CGG0160030- |
| 09-241 | FILTER - CAB, 580SLE CGG0160030- |
| 09-243 | HEATING CIRCUIT - CAB, 580SLE CGG0160030- |
| 09-245 | HEATING CIRCUIT - CAB, 580SLE CGG0160030- |
| 09-247 | HEATING CIRCUIT - CAB |
| 09-251 | HEATING CIRCUIT - CAB |
| 09-255 | CAB AIR CONDITIONING - AIR CIRCUIT, 580SLE CGG0160030- |

02-007

p1

11/201
9

COOLING SYSTEM - 580SLE CGG0167372-



EXHAUST - 580SLE CGG0160030-

| REF FN | PART NUMBER | YR/SN | QTY DESCRIPTION |
|--------|------------------------------|-------|---|
| 1 | 1 275967A2 | | 1 PIPE, EXHAUST SYSTEM PIPE, EXHAUST |
| 2 | 176437A1 | | 1 CLAMP 63.5mm - mm 580SLE CGG0160030- CGG0166288, CGG0166290- CGG0166528 |
| 3 | 192483A1 | | 1 MUFFLER W/ Spark Arrester |
| 4 | A170467 | | 1 CLAMP 72mm ID |
| 5 | 187021A1 | | 1 SUPPORT |
| 6 | 627-10030 | | 4 BOLT Hex, M10 x 1.5 x 30mm, Cl 10.9, Full Thd |
| 8 | 896-11010 | | 10 WASHER 11mm ID x 21mm OD x 2.5mm Thk |
| 9 | 627-10030 | | 2 BOLT Hex, M10 x 1.5 x 30mm, Cl 10.9, Full Thd |
| 10 | 829-1410 | | 2 NUT M10 x 1.5, Cl 10.9 |
| 11 | A13240 | | 1 CLAMP 2-5/8" ID 580SLE CGG0166289, CGG0166529- CGG0169351 |
| 12 | 360663A1 | | 1 CLAMP 7.06mm 580SLE CGG0169352- |
| (1) | Replace : 192704a1, 275967a1 | | |

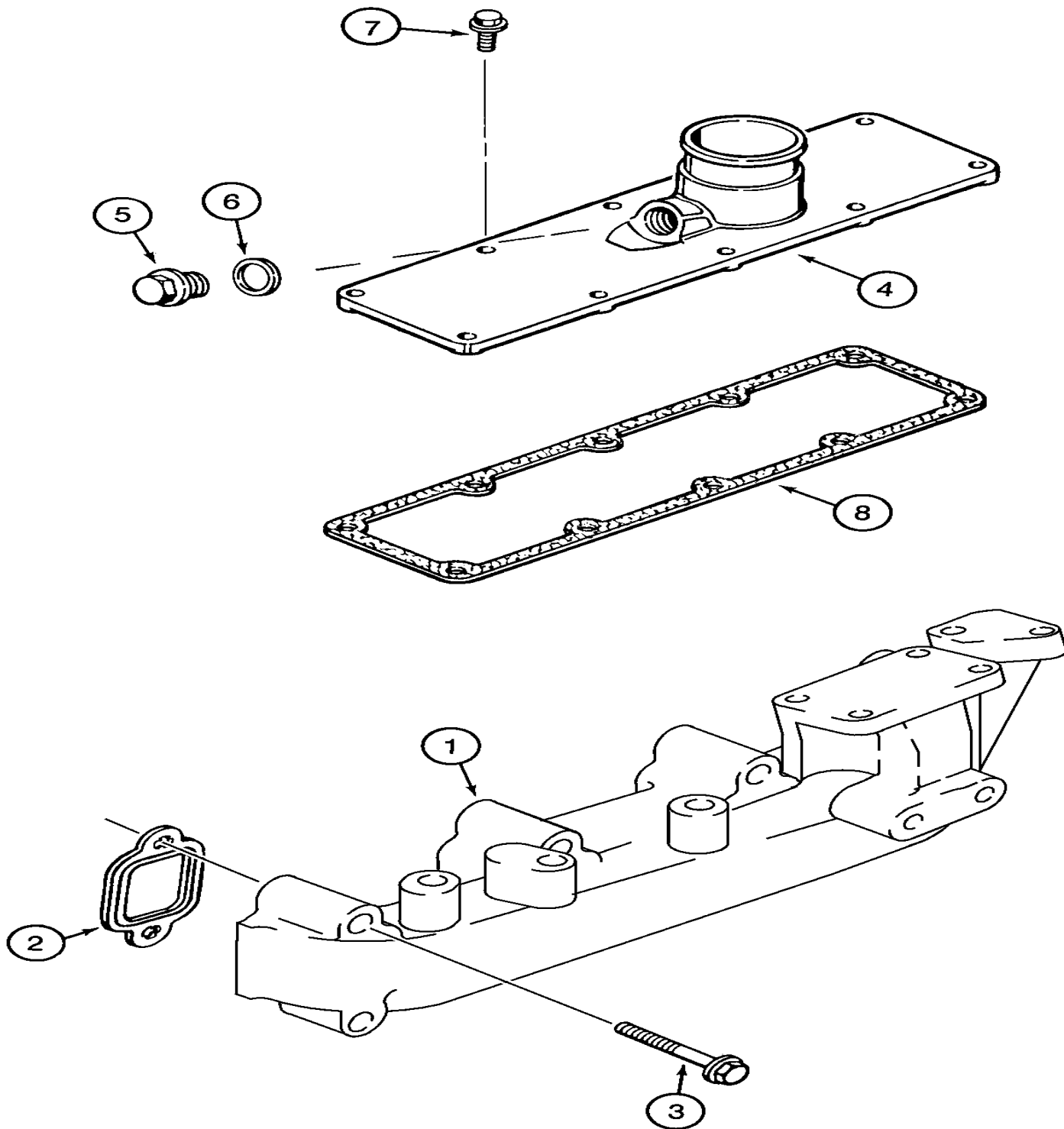
580SLE-CASE LOADER BACKHOE (S/N CGG0160030 & AFTER)

02-037

p1

11/201
9

INTAKE PIPE - EXHAUST PIPE - 580SLE CGG0160030-



Exhaust

Abgasgeprüfter Motor Auslass.

Echappement

02-049

p1

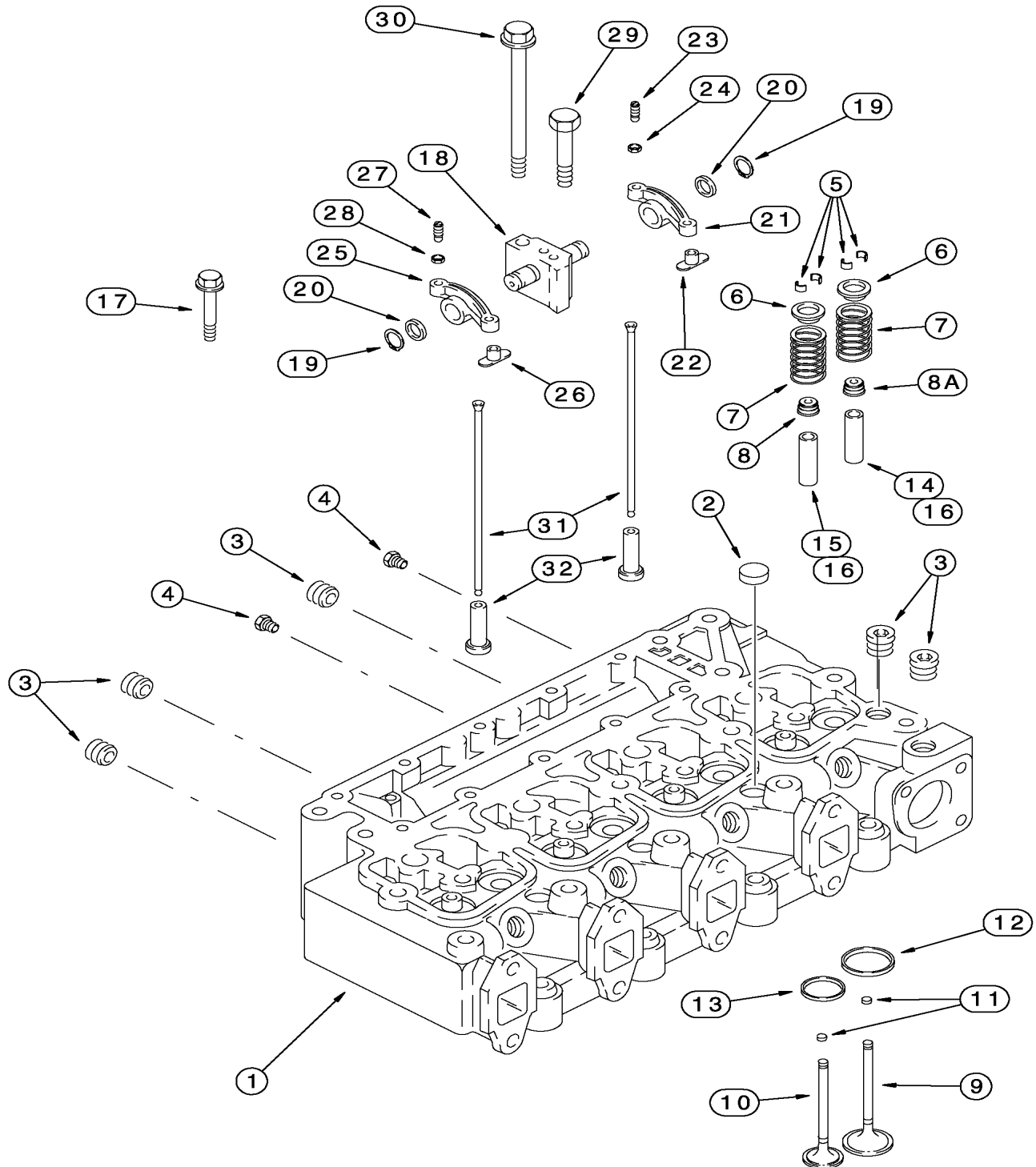
11/201
9**OIL FILTER OIL COOLER - EMISSIONS CERTIFIED ENGINE - 580SLE CGG0160030-**

| REF FN | PART NUMBER | YR/SN | QTY DESCRIPTION |
|--------|-------------|-------|--|
| | J918954 | | 1 HEAD Consists Of Ref. Numbers 1, 2 |
| 1 | NSS | | 1 NOT SOLD SEPARAT |
| 2 | J909355 | | 1 ADAPTER |
| 3 | J906619 | | 1 PLUG 1/8" - 27 1/8 PT |
| 4 | J936365 | | 1 VALVE PRESSURE RELIE |
| 5 | J915787 | | 1 PLUG |
| 6 | J929457 | | 1 O-RING 23/32 ID x 7/64 |
| 7 | J918427 | | 1 SPRING |
| 8 | J918428 | | 1 PLUNGER |
| 9 | 845-8035 | | 14 BOLT Hvy Hex, M8 x 35mm, CI 8.8 |
| 10 | J908616 | | 1 ENGINE OIL FILTER Single pkg qty. For multi pkg [qty.12] order J908616MP |
| 10 | J934429 | | 1 ENGINE OIL FILTER Premium |
| 11 | J929792 | | 1 GASKET 1.2mm Thk |
| 12 | J921557 | | 1 COOLER |
| 13 | J942914 | | 1 GASKET |
| 14 | J919686 | | 1 PLUG 12 mm, Not Illustrated |
| 15 | 238-5013 | | 1 O-RING 0.07" Thk x 0.426" ID, -13, CI 5, 75 Duro Not Illustrated |

580SLE-CASE LOADER BACKHOE (S/N CGG0160030 & AFTER)

CYLINDER HEAD VALVE MECHANISM - EMISSIONS CERTIFIED ENGINE- 580SLE CCG0160030-

John



CYLINDER BLOCK - EMISSIONS CERTIFIED ENGINE- 580SLE CGG0160030-

| REF FN | PART NUMBER | YR/SN | QTY DESCRIPTION |
|--------|-------------|-------|---|
| 38 | NSS | | 1 NOT SOLD SEPARAT Engine Oil Heater, not used, 240 volt |
| 39 | J905114 | | 1 ELECTRIC CABLE 240V, Engine Oil Heater, not used |
| 40 | J910517 | | 1 O-RING Engine Oil Heater, not used, 240 volt |
| | 309652A1 | | 1 KIT Not Used, Consists Of Ref. Numbers 41, 42, Engine Oil Heater, 240 volt |
| 41 | NSS | | 1 NOT SOLD SEPARAT Engine Oil Heater, not used, 240 volt |
| 42 | J905114 | | 1 ELECTRIC CABLE 240V, Engine Oil Heater, not used |
| | A77887 | | 1 PACKAGE,SERVICE Repair Kit, Consists Of Ref. Numbers 43-50 |
| 43 | J802747 | | 4 PISTON & RINGS KIT 100MM PISTON DIAMETER Not Illustrated, See Figure 02-099, Repair Kit |
| 44 | J919053 | | 4 PISTON PIN Black, See Figure 02-099, Repair Kit |
| 45 | A77465 | | 4 BEARING SET Not Illustrated, Repair Kit |
| 46 | A77405 | | 4 CRANKSHAFT BEARING Std Not Illustrated, See Figure 02-87, Repair Kit |
| 47 | A77896 | | 1 BEARING SET Std Not Illustrated, See Figure 02-87, Repair Kit |
| 48 | A77870 | | 1 SEAL PACKAGE Not Illustrated, See Figure 02-105, Repair Kit |
| 49 | J283333 | | 1 CYLINDER HEAD GASKET 2.32mm Thk Not Illustrated, See Figure 02-57, Repair Kit |
| 50 | A77673 | | 1 GASKET KIT Not Illustrated, See Figure 02-53, Repair Kit |

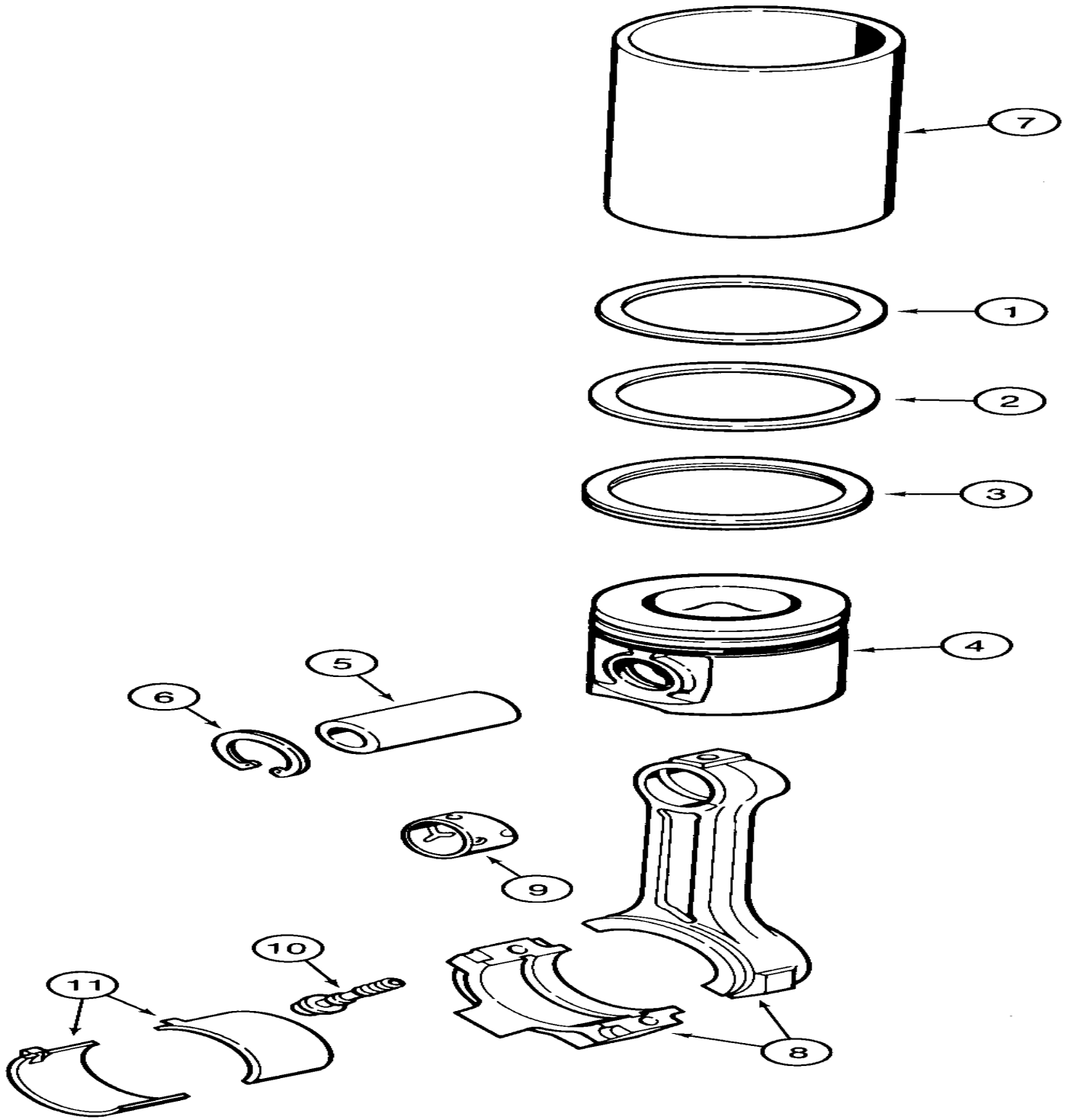
580SLE-CASE LOADER BACKHOE (S/N CGG0160030 & AFTER)

02-095

p2

11/201
9

PISTONS - CONNECTING ROD- 580SLE CGG0160030-



Abgasgeprüfter Motor Kolben.

FUEL SYSTEM - 580SLE CGG0160030-

| REF FN | PART NUMBER | YR/SN | QTY DESCRIPTION |
|--------|-------------|-------|---|
| 28 | CURJ904711 | | 1 CLAMP |
| 29 | J920854 | | 1 CAPTIVE WASHER SCREW HWH, M5 x 0.8 x 24.5mm, CI 8.8 |
| 30 | J919292 | | 1 SUPPORT |
| 31 | J917746 | | 2 CLAMP |
| 32 | CURJ904711 | | 1 CLAMP |
| 33 | J920854 | | 1 CAPTIVE WASHER SCREW HWH, M5 x 0.8 x 24.5mm, CI 8.8 |
| 34 | J918109 | | 2 FLANGE BOLT Hex, M8 x 1.25 x 25mm |
| 35 | 845-8016 | | 2 BOLT Hvy Hex, M8 x 16mm, CI 8.8 |
| 36 | J928759 | | 2 SEALING WASHER |
| 37 | J925955 | | 1 ADAPTER M16 x 1.5 x M16 x 1.5 |
| 38 | J843760 | | 1 FILTER |

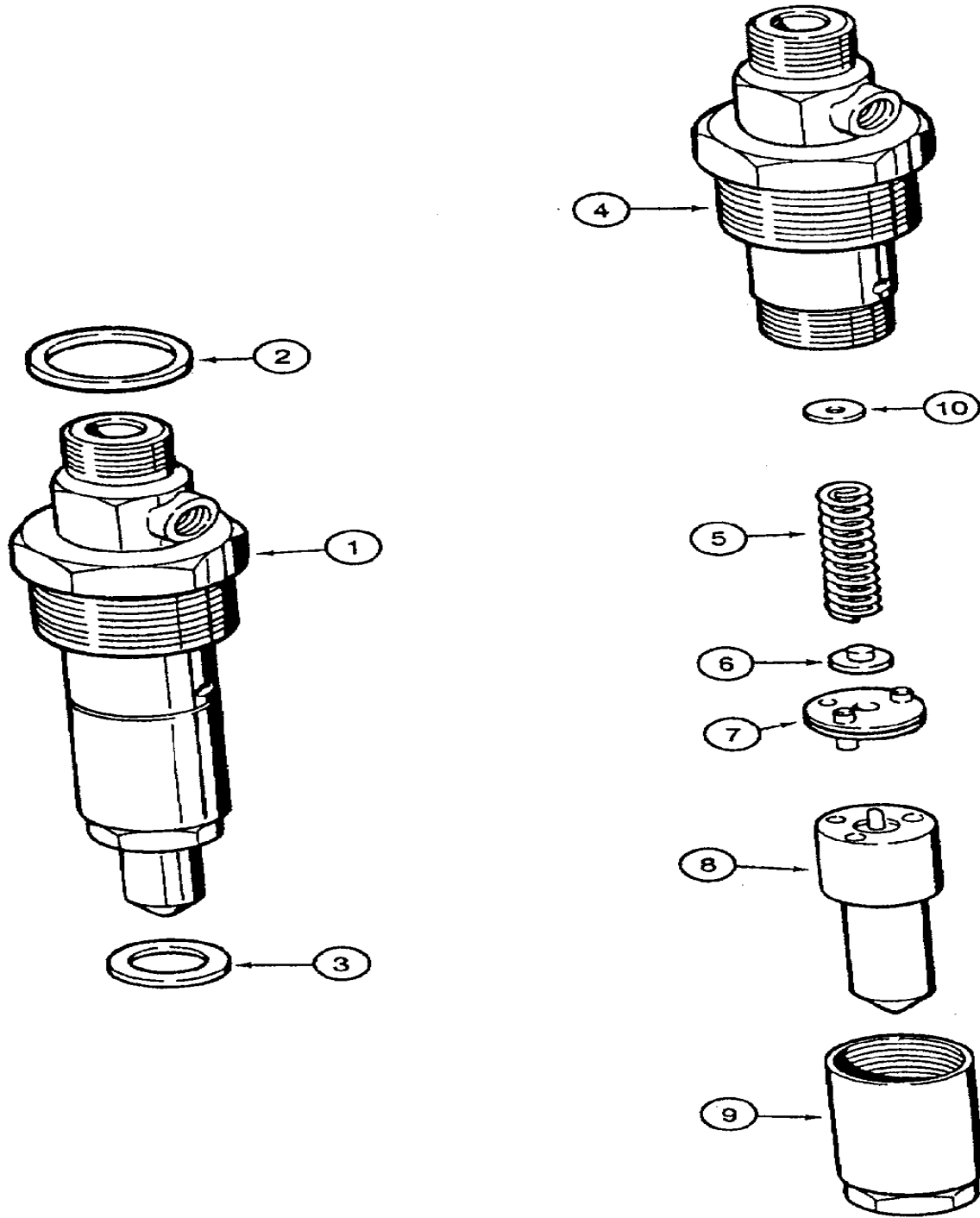
580SLE-CASE LOADER BACKHOE (S/N CGG0160030 & AFTER)

03-039

p1

11/201
9

INJECTOR - 580SLE CGG0160030-

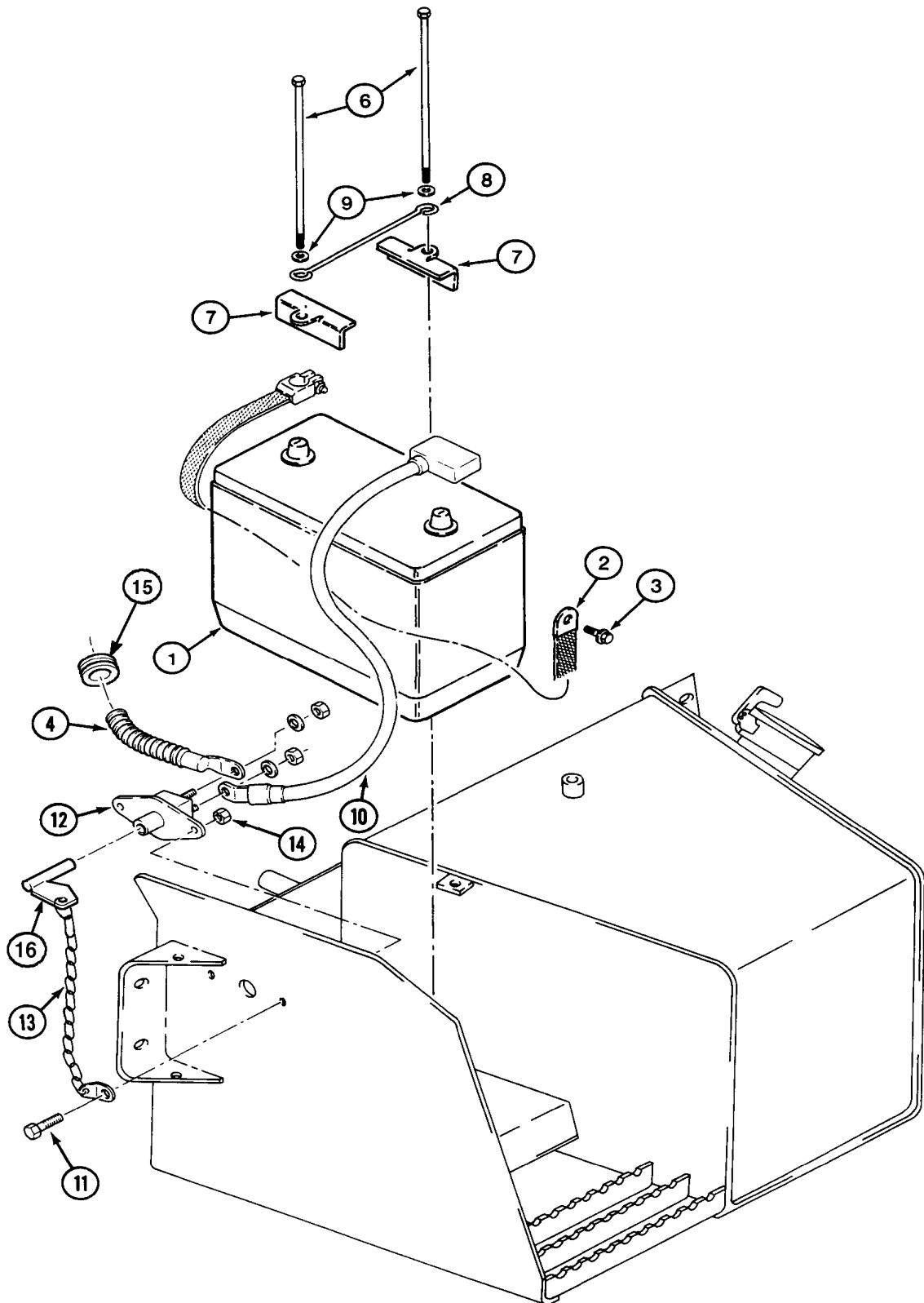


STARTER - 580SLE CGG0160030-

| REF FN | PART NUMBER | YR/SN | QTY DESCRIPTION |
|--------|-------------|-------|--------------------|
| 36 | NSS | | 1 NOT SOLD SEPARAT |
| 37 | NSS | | 1 NOT SOLD SEPARAT |
| 38 | NSS | | 1 NOT SOLD SEPARAT |
| 39 | NSS | | 1 NOT SOLD SEPARAT |
| 40 | NSS | | 1 NOT SOLD SEPARAT |
| 41 | NSS | | 1 NOT SOLD SEPARAT |
| 42 | A187782 | | 1 LEVER |
| 43 | A187778 | | 1 SOLENOID |
| 44 | 1964850C1 | | 1 HEAD |

580SLE-CASE LOADER BACKHOE (S/N CGG0160030 & AFTER)

BATTERIES CIRCUIT-BREAKER - 580SLE CCG0160030-



ELECTRICAL CIRCUIT - OPERATORS COMPARTMENT- 580SLE CGG0160030-CGG0166288, CGG0166290-CGG0166315

| REF FN | PART NUMBER | YR/SN | QTY DESCRIPTION |
|--------|-------------|-------|---|
| 1 | REF | | 1 INSTRUCTION Harness, See Page(s) 04-027 |
| 2 | 844-6025 | | 2 BOLT Hvy Hex, M6 x 25mm, CI 8.8 |
| 3 | 893-11006 | | 1 LOCK WASHER Ext Tooth, M6 |
| 4 | 825-2406 | | 2 FLANGE NUT M6 x 1, CI 8.8 |
| 5 | 832-10408 | | 1 NUT M8 x 1.25, CI 8.8 |
| 6 | 844-8025 | | 2 BOLT Hvy Hex, M8 x 25mm, CI 8.8 M8 x 225 |
| 7 | 829-1408 | | 2 NUT Hex, M8 x 1.25, CI 10.9 |
| 8 | 425-106 | | 1 NUT 3/8"-16, CI 5 |
| 9 | 127518A1 | | 1 HARNESS |
| 10 | 122398A1 | | 1 PUSH BUTTON SWITCH |
| 11 | D138252 | | 1 BOOT |
| 12 | 144709A2 | | 1 LIGHT SWITCH Headlamps, Replaces 144709A1 |
| 13 | 133713A1 | | 1 LIGHT SWITCH Front Working Light |
| 14 | 133716A1 | | 1 ROCKER SWITCH 4 Wheel Drive |
| 15 | 133715A1 | | 1 LIGHT SWITCH Rear Working Light |
| 16 | 133714A1 | | 1 BEACON SWITCH Rotating Beacon |
| | D134737 | | 1 IGNITION SWITCH Consists Of Ref. Numbers 17, 18, 19 |
| 17 | NSS | | 1 NOT SOLD SEPARAT Switch, Selector |
| 18 | A77314 | | 1 NUT |
| 19 | A77313 | | 1 SET OF 2 KEYS Metal Without Padding |
| 20 | D137820 | | 1 HARNESS |
| 21 | D90961 | | 1 SWITCH Cold Start |
| 22 | 122740A1 | | 1 ROCKER SWITCH Horn |
| 23 | D150521 | | 1 CLAMP |
| 24 | 141531A1 | | 1 TOGGLE SWITCH Sideshift Release Device |
| 25 | 225282A1 | | 1 LIGHT SWITCH Rear Fog Light |
| 26 | 495-11041 | | 1 WASHER 0.406" ID x 0.812" OD x 0.065" W (13/32 x 13/16 x 1/16") |
| 27 | 895-11008 | | 2 WASHER 9mm ID x 16mm OD x 1.6mm Thk |

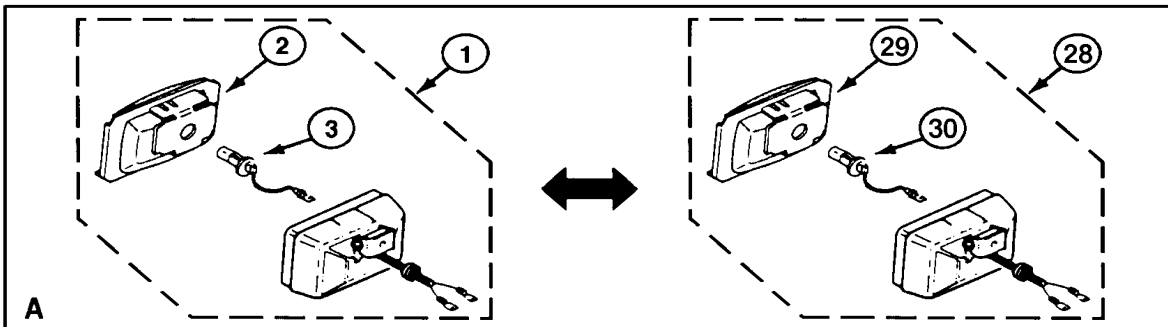
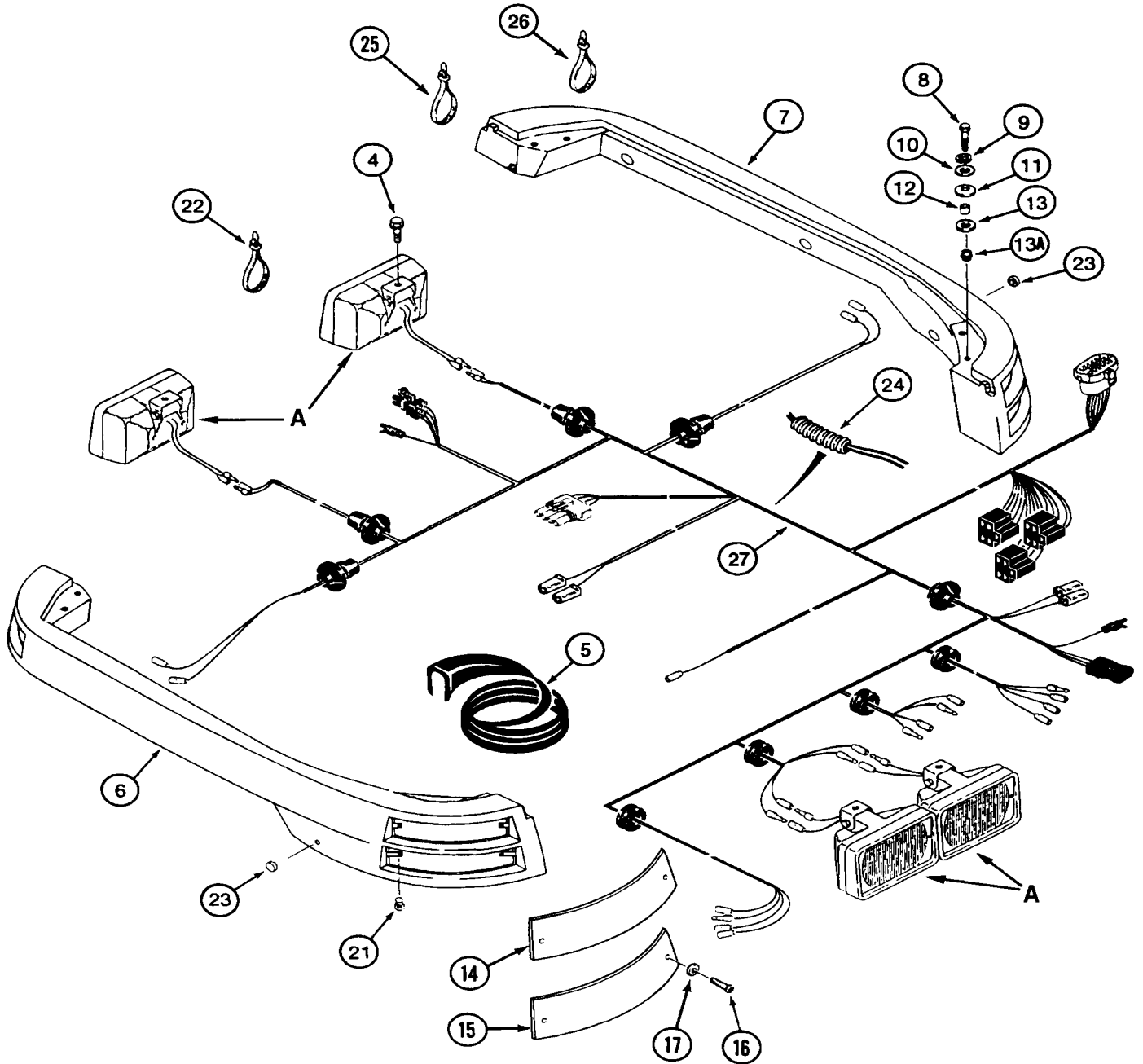
580SLE-CASE LOADER BACKHOE (S/N CGG0160030 & AFTER)

04-045

p1

11/2019

ELECTRICAL CIRCUIT - CAB - 580SLE CGG0160030-CGG0166288, CGG0166290-CGG0166315



WINDSHIELD WASHER - CAB - 580SLE CGG0160030-

| REF FN | PART NUMBER | YR/SN | QTY DESCRIPTION |
|--------|-------------|-------|---|
| | E46560 | | 1 RESERVOIR Consists Of Ref. Numbers 1-4 |
| 1 | NSS | | 1 NOT SOLD SEPARAT Reservoir |
| 2 | E47238 | | 2 PUMP 12V |
| 3 | E47239 | | 2 SEAL 6.5mm ID x 12mm OD x 10mm L |
| 4 | E47240 | | 1 PLUG |
| 5 | 614-8025 | | 2 BOLT Hex, M8 x 1.25 x 25mm, Cl 8.8, Full Thd |
| 6 | 895-15008 | | 4 WASHER 9mm ID x 20mm OD x 1.6mm Thk |
| 7 | E46561 | | 2 SPACER |
| 8 | 495-21044 | | 2 WASHER 3/8" (7/16 x 1 x 5/64) |
| 9 | 832-10408 | | 2 NUT M8 x 1.25, Cl 8.8 |
| 10 | 226582A1 | | 1 HOSE PROTECTION |
| 11 | 226581A1 | | 1 PROTECTOR |
| 12 | E47003 | | X BRACKET |
| 13 | REF | | 2 INSTRUCTION Switch, Selector, See Figure 04-057 |
| 14 | 226583A1 | | 1 PIPE 5320 mm (209-1/2 in) |
| 15 | E10160 | | 1 GROMMET |
| 16 | E43769 | | 2 SPRAY |
| 17 | 226584A1 | | 1 HOSE 4mm ID x 5020mm L 5020 mm (197-3/4 in) |
| 18 | E46524 | | 1 GROMMET |
| 19 | 226580A1 | | 2 PROTECTOR 520 mm (20-1/2 in) |
| 20 | 226376A1 | | 1 SUPPORT |
| 21 | 806-10025 | | 2 BOLT Hex, M10 x 1.5 x 25mm, Cl 10.9 M10 x 25 |

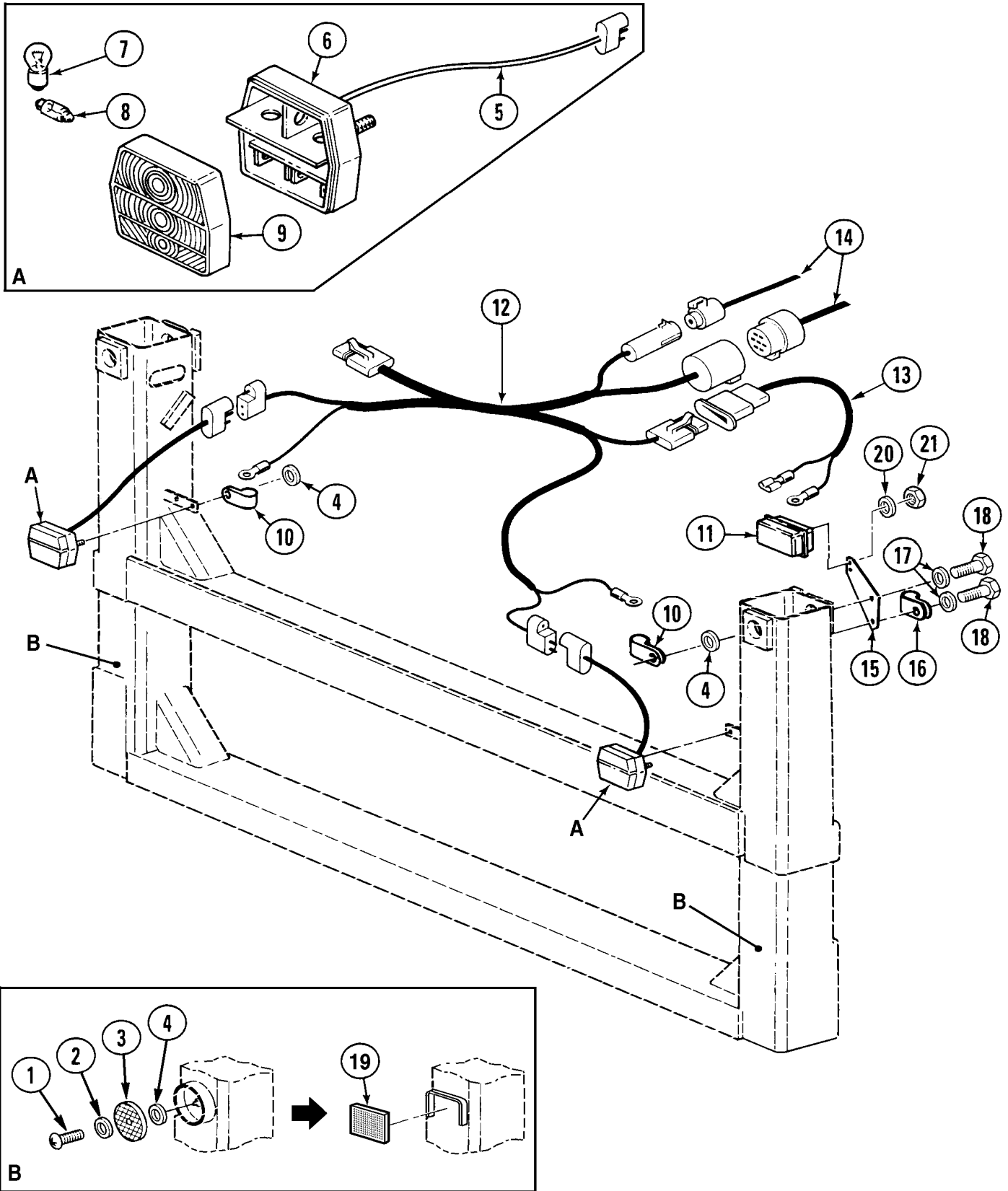
580SLE-CASE LOADER BACKHOE (S/N CGG0160030 & AFTER)

04-075

p1

11/201
9

REAR LIGHTS - SIDESHIFT VERSION - 580SLE CCG0160030-



FOG LIGHT - AXIAL VERSION - 580SLE CGG0160030-

| REF FN | PART NUMBER | YR/SN | QTY DESCRIPTION |
|--------|-------------|-------|--|
| 1 | E48825 | | 1 LIGHT |
| 2 | 142406A1 | | 1 SUPPORT |
| 3 | 614-6020 | | 4 BOLT Hex, M6 x 1 x 20mm, CI 8.8, Full Thd |
| 4 | 892-11006 | | 4 LOCK WASHER M6 |
| 5 | 829-1406 | | 5 NUT Hex, M6 x 1, CI 10.9 M6; 10.9 |
| 6 | 515-22190 | | 1 CLAMP 3/4", Insul, 5/16" Bolt |
| 7 | 228691A3 | | 1 HARNESS |
| 8 | REF | | 1 INSTRUCTION Circuit, Electrical, See Figure 04-085 |
| 9 | 893-11006 | | 1 LOCK WASHER Ext Tooth, M6 |

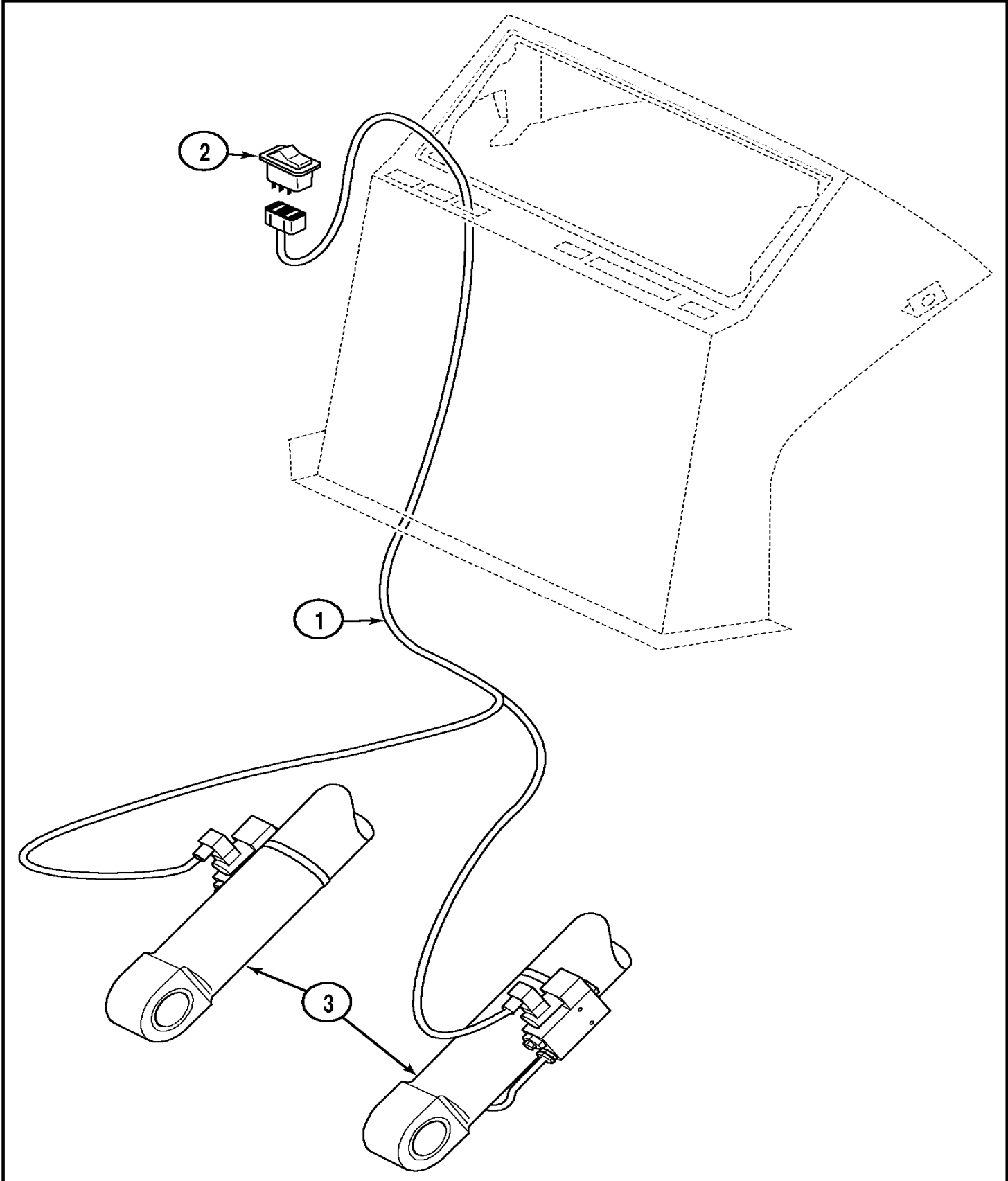
580SLE-CASE LOADER BACKHOE (S/N CGG0160030 & AFTER)

04-105

p1

11/2019

ELECTRICAL CIRCUIT - SAFETY VALVE - 580SLE CGG0160030-

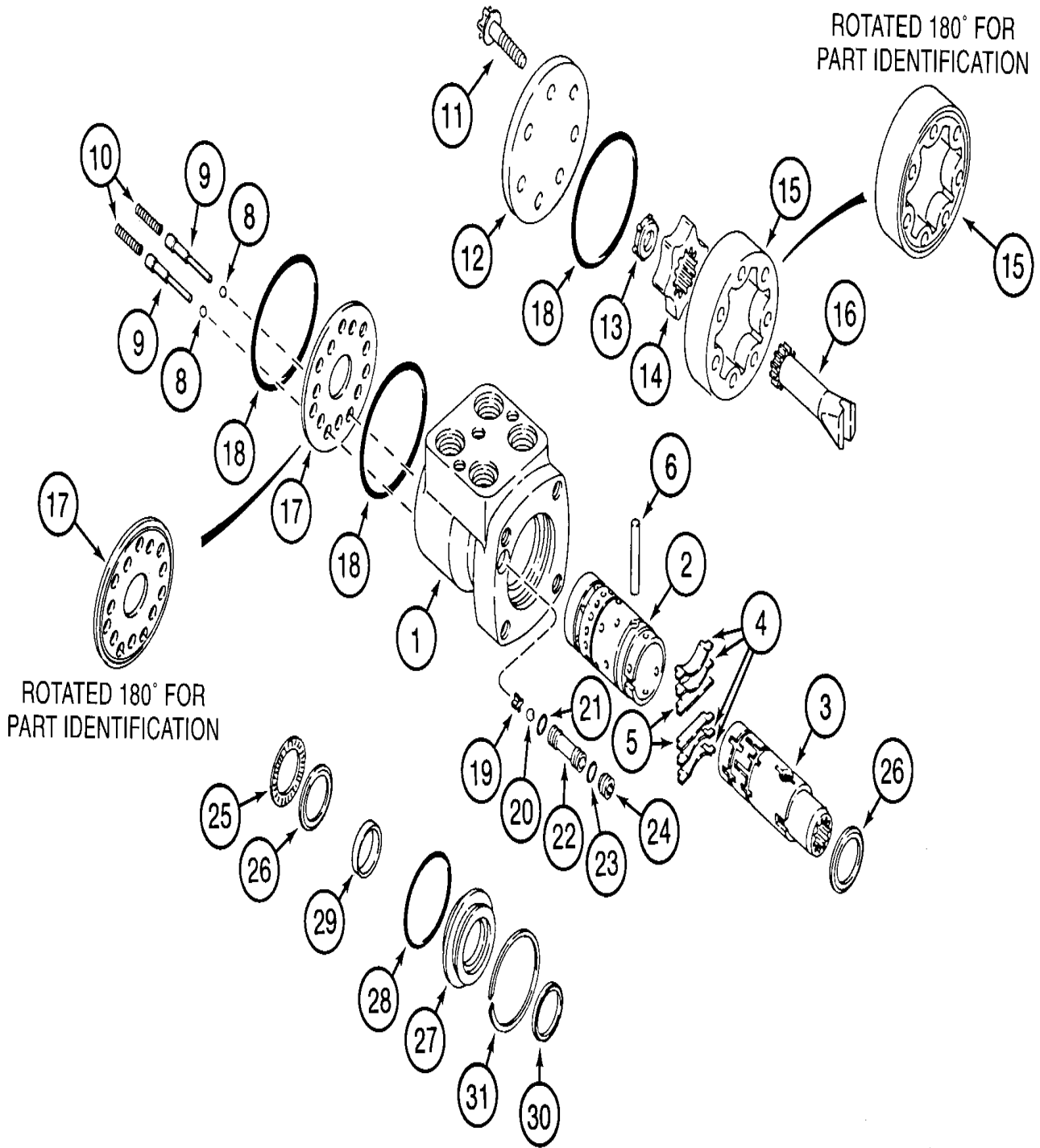


STEERING WHEEL - TILTING COLUMN - 580SLE CGG0160030-

| REF FN | PART NUMBER | YR/SN | QTY DESCRIPTION |
|--------|-------------|-------|--|
| 1 | 144294A1 | | 1 PLUG |
| 2 | 144293A1 | | 1 WHEEL (STEERING) |
| 3 | F19646 | | 1 LOCK NUT 13/16"-20, Thin |
| 4 | 142263A1 | | 1 STEERING COLUMN |
| 5 | 864-10025 | | 4 HEX SOC SCREW M10 x 25mm, Cl 8.8 M10 x 25 |
| 6 | 141746A1 | | 1 LARGE PLATE PLATE, LARGE |
| 7 | 614-10020 | | 4 BOLT Hex, M10 x 1.5 x 20mm, Cl 8.8, Full Thd |
| 8 | REF | | 1 INSTRUCTION Circuit, Hydraulic, See Page(s) 05-007, 05-011 |
| 9 | 614-8020 | | 4 BOLT Hex, M8 x 1.25 x 20mm |
| 10 | 829-1408 | | 4 NUT Hex, M8 x 1.25, Cl 10.9 |
| 11 | E48348 | | 1 KNOB dia 360 |

580SLE-CASE LOADER BACKHOE (S/N CGG0160030 & AFTER)

STEERING CONTROL VALVE - VERSION EATON - 580SLE CGG0160030-



05-033

p1

11/201
9

FRONT WHEELS - 4 WHEEL DRIVE - 580SLE CGG0160030-, VERSION : 12.5/80 X 18 - 10PR

| REF FN | PART NUMBER | YR/SN | QTY DESCRIPTION |
|---------------|--------------------|--------------|--|
| 1 | 139080A1 | | 2 WHEEL Version 12.5/80 x 18 - 10PR |
| 2 | E47940 | | 2 TYRE/TIRE Version 12.5/80x18 - 10PR |
| 3 | 825-11418 | | 16 NUT M18 x 1.5, CI 8 M18 |
| 4 | 496-81000 | | 16 WASHER 25/32" x 1 3/8" x .134", HDN |

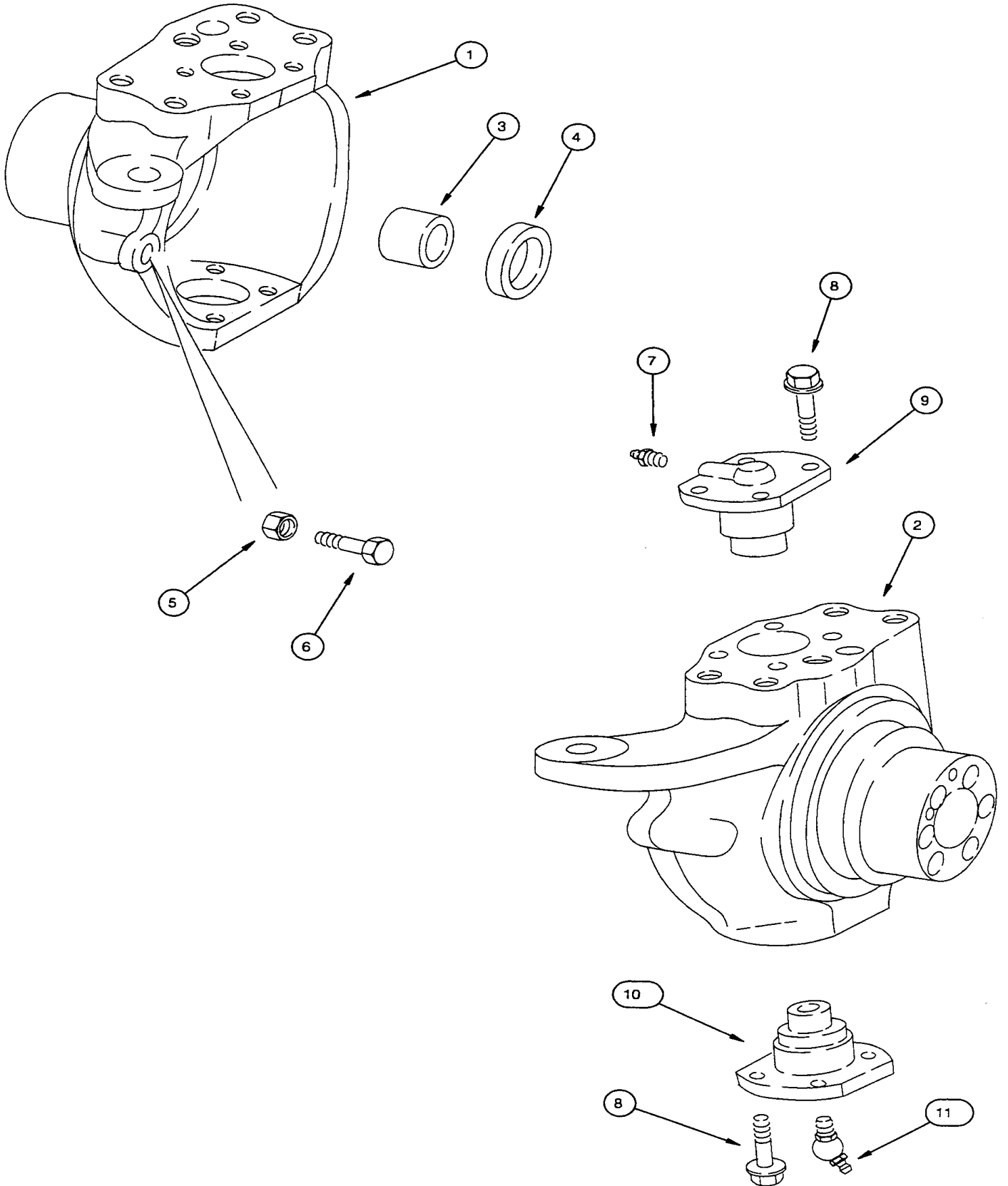
580SLE-CASE LOADER BACKHOE (S/N CGG0160030 & AFTER)

06-013

p1

11/2019

FRONT DRIVE AXLE - PIVOT - 580SLE CGG0166289, CGG0166316-



06-025

p2

11/201
9

FRONT DRIVE AXLE - REDUCTION GEAR - 580SLE CGG0166289, CGG0166316-

| REF FN | PART NUMBER | YR/SN | QTY DESCRIPTION |
|---------------|--------------------|--------------|------------------------|
| 25 | K395082 | | 4 SCREW M8 x 20mm |

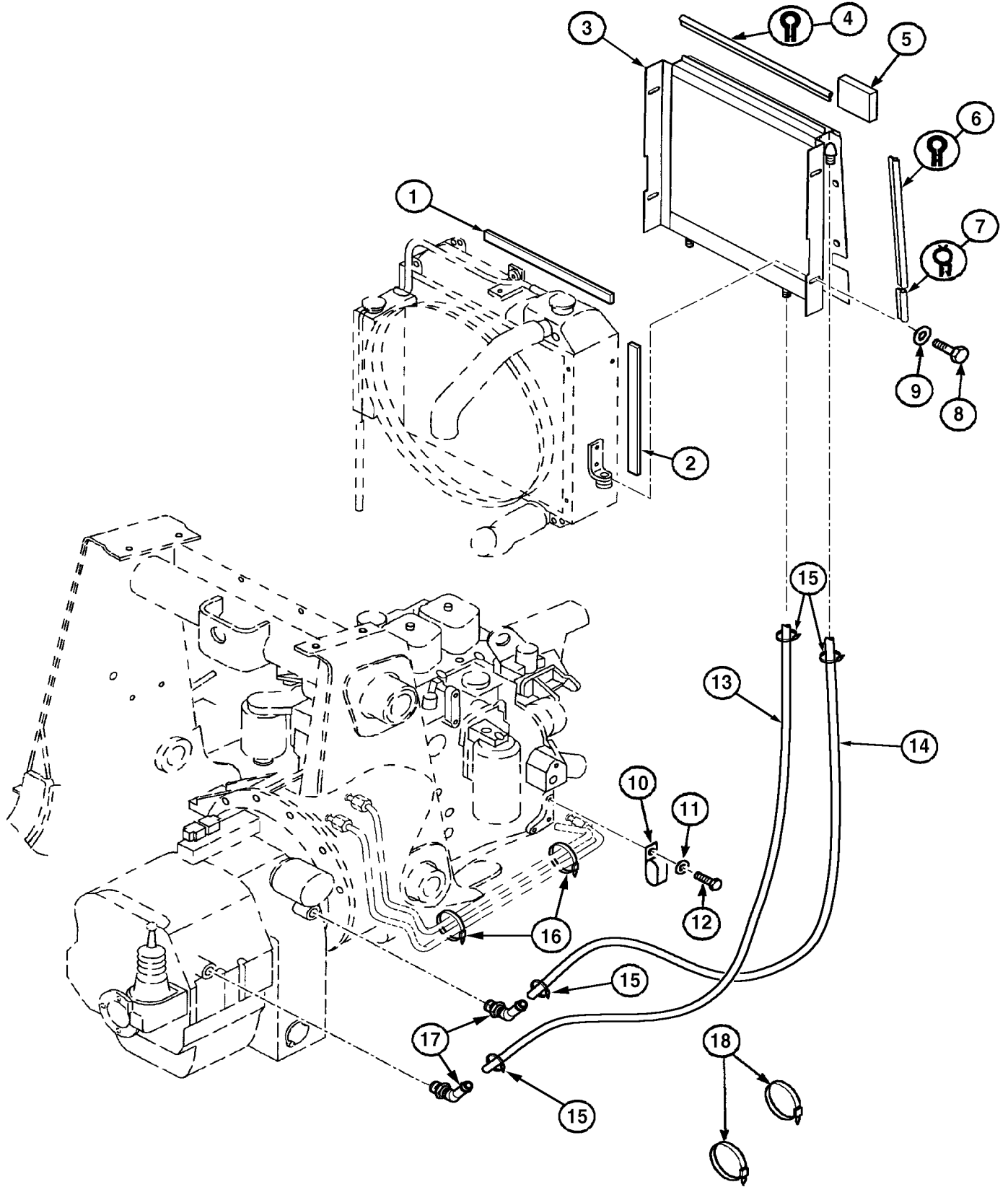
580SLE-CASE LOADER BACKHOE (S/N CGG0160030 & AFTER)

06-041

p1

11/201
9

HYDRAULIC OIL COOLER - HIGH CAPACITY COOLER - 580SLE CGG0167533-



GEAR BOX SHIFT LEVER, TORQUE CONVERTOR AND UNIVERSAL COUPLING - 4 WHEEL DRIVE

| REF FN | PART NUMBER | YR/SN | QTY DESCRIPTION |
|--------|--|-------|---|
| 1 | 309747A1 | | 1 KNOB |
| 1 | 2 187714A1 | | 1 KNOB |
| 2 | 3 187715A1 | | 1 KNOB |
| 3 | 484-6316 | | 1 SET SCREW Hex Soc, 5/16"-24 x 3/8" |
| 4 | 459-11014 | | 2 SCREW Pan HD, #10 - 32 x 7/8" |
| 5 | 493-41020 | | 2 LOCK WASHER Ext Tooth, #10 |
| 6 | 179689A1 | | 1 LEVER |
| 7 | 190618A1 | | 1 BELLOWS |
| 8 | 280-16516 | | 4 SELF-TAP SCREW Hex Wash Hd, #10 x 1" |
| 9 | 827-12055 | | 1 BOLT Hex, M12 x 1.75 x 55mm, CI 10.9 |
| 10 | 495-11053 | | 1 WASHER 1/2", SAE |
| 11 | 832-10412 | | 1 NUT M12 x 1.75, CI 8 |
| 12 | 126-116 | | 1 WOODRUFF KEY #9, 3/16" x 3/4", HT |
| 13 | 143370A1 | | 1 SPRING |
| 14 | 4 119042A2 | | 1 TRANSMISSION Consists Of Pages 06-067, 06-075, 06-079, 06-083, 06-087, 06-093, 6-101 6-117, 6-119 |
| 15 | 298394A1 | | 1 FOAM INSULATION |
| 16 | 627-10035 | | 12 BOLT Hex, M10 x 1.5 x 35mm, CI 10.9, Full Thd |
| 17 | 896-11010 | | 12 WASHER 11mm ID x 21mm OD x 2.5mm Thk |
| 18 | 218-459 | | 1 HYD CONNECTOR 1-5/16" - 12 Male JIC x 3/4" - 14 Male NPTF |
| 19 | 237948A1 | | 1 TUBE 25.4 mm OD |
| 20 | 121658A1 | | 1 DIPSTICK 492mm L |
| 21 | 1995137C1 | | 1 CONVERTER |
| 21 | 1995137C1R | | 1 REMAN-TORQUE CONVERT ER Reman - Torque Converter |
| 21 | 1995137C1C | | 1 CORE-TORQUE CONVERTR Return Part Number |
| (1) | Consists Of Ref. Number : 1 To 5 And Gasket Paper 310965A1 | | |
| (2) | Upper, Order 309747A1 | | |
| (3) | Lower, Order 309747A1 | | |
| (4) | Commander 119042a3, 333264A1, 329084A1 | | |

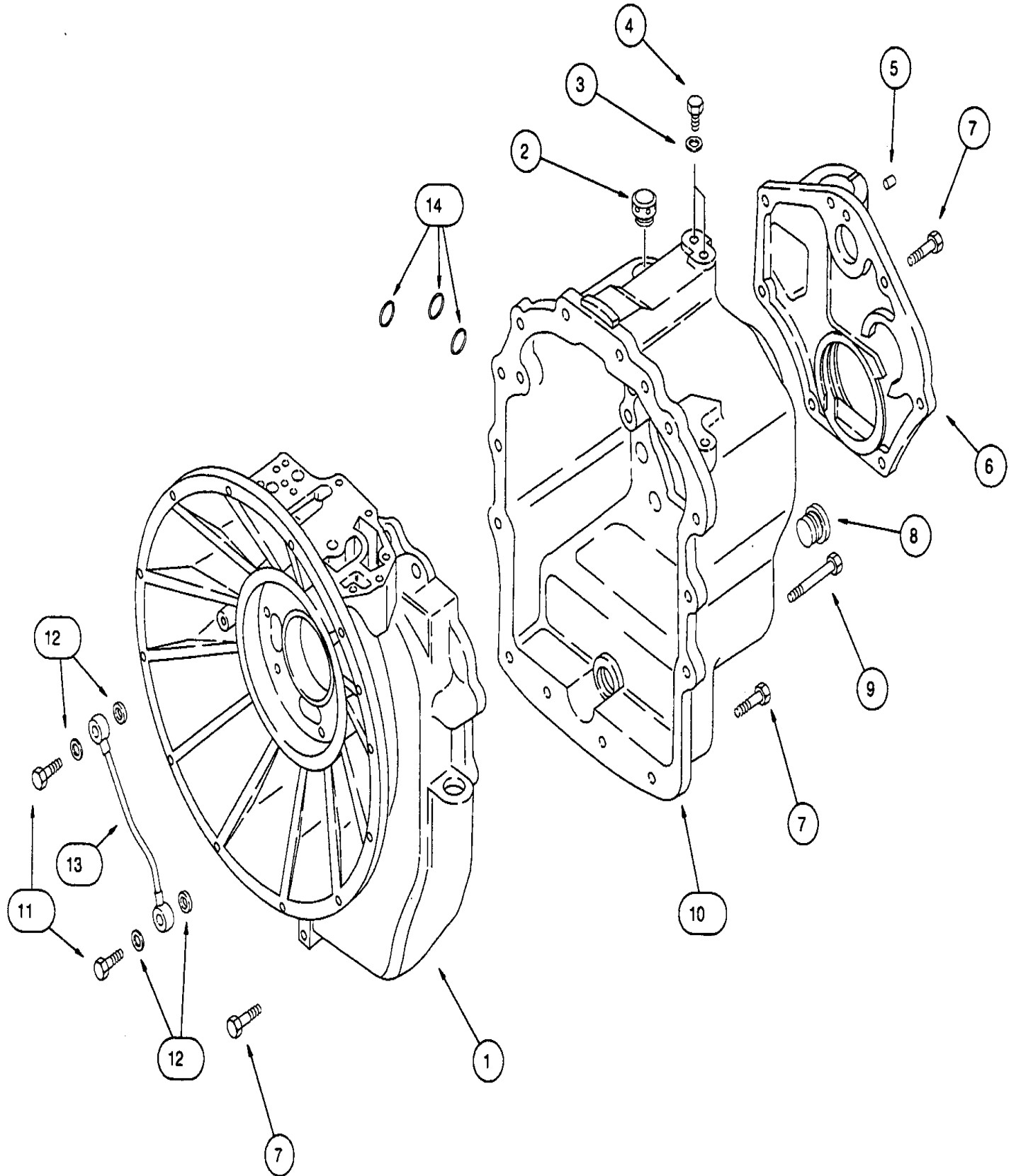
580SLE-CASE LOADER BACKHOE (S/N CGG0160030 & AFTER)

06-069

p1

11/201
9

GEAR BOX - HOUSING - 2 WHEEL DRIVE, 580SLE CGG0160030-CGG0166288, CGG0166290-CGG166315



GEAR BOX - SHIFTER MECHANISM, 580SLE CGG0162088-

| REF FN | PART NUMBER | YR/SN | QTY DESCRIPTION |
|--------|-------------|-------|--|
| 1 | 181245A2 | | 1 SHIFT RAIL Replace 181206A2 |
| 2 | 614-12016 | | 3 BOLT Hex, M12 x 1.75 x 16mm, CI 8.8, Full Thd |
| 3 | 1966835C1 | | 3 SEALING WASHER 12mm ID x 16mm OD x 1.5 mm Thk 12x16x1,5 |
| 4 | 1966993C1 | | 2 SPRING |
| 5 | 181139A1 | | 4 BALL 10mm OD |
| 6 | 864-8025 | | 3 HEX SOC SCREW M8 x 25mm, CI 8.8 |
| 7 | 181171A1 | | 1 COVER |
| 8 | 190428A3 | | 1 LEVER |
| 9 | 1967585C1 | | 2 PIN |
| 10 | 1967581C1 | | 1 BOOT |
| 11 | 181177A1 | | 1 CLAMP |
| 12 | 181138A1 | | 1 O-RING 0.103" Thk x 2.362" ID, -142, CI 5, 75 Duro |
| 13 | 278533A1 | | 1 SPRING |
| 14 | 278532A1 | | 1 BUSHING |
| 15 | 279039A1 | | 1 RING, SNAP RING SNAP |
| 16 | 181173A1 | | 2 SELECTOR |
| 17 | 864-10025 | | 2 HEX SOC SCREW M10 x 25mm, CI 8.8 M10 x 25 |
| 18 | 181175A1 | | 1 PLATE |
| 19 | 181245A1 | | 1 ROD |
| 20 | 905794R1 | | 4 PIN M6 x 30, Coiled |
| 21 | 181203A1 | | 1 SHIFTER FORK |
| 22 | 181174A2 | | 1 SHIFTER FORK |
| 23 | 181104A1 | | 4 COPPER WASHER 1,0 mm |
| 24 | 181275A1 | | 1 BOLT |
| 25 | 614-8016 | | 1 BOLT Hex, M8 x 1.25 x 16mm, CI 8.8, Full Thd |

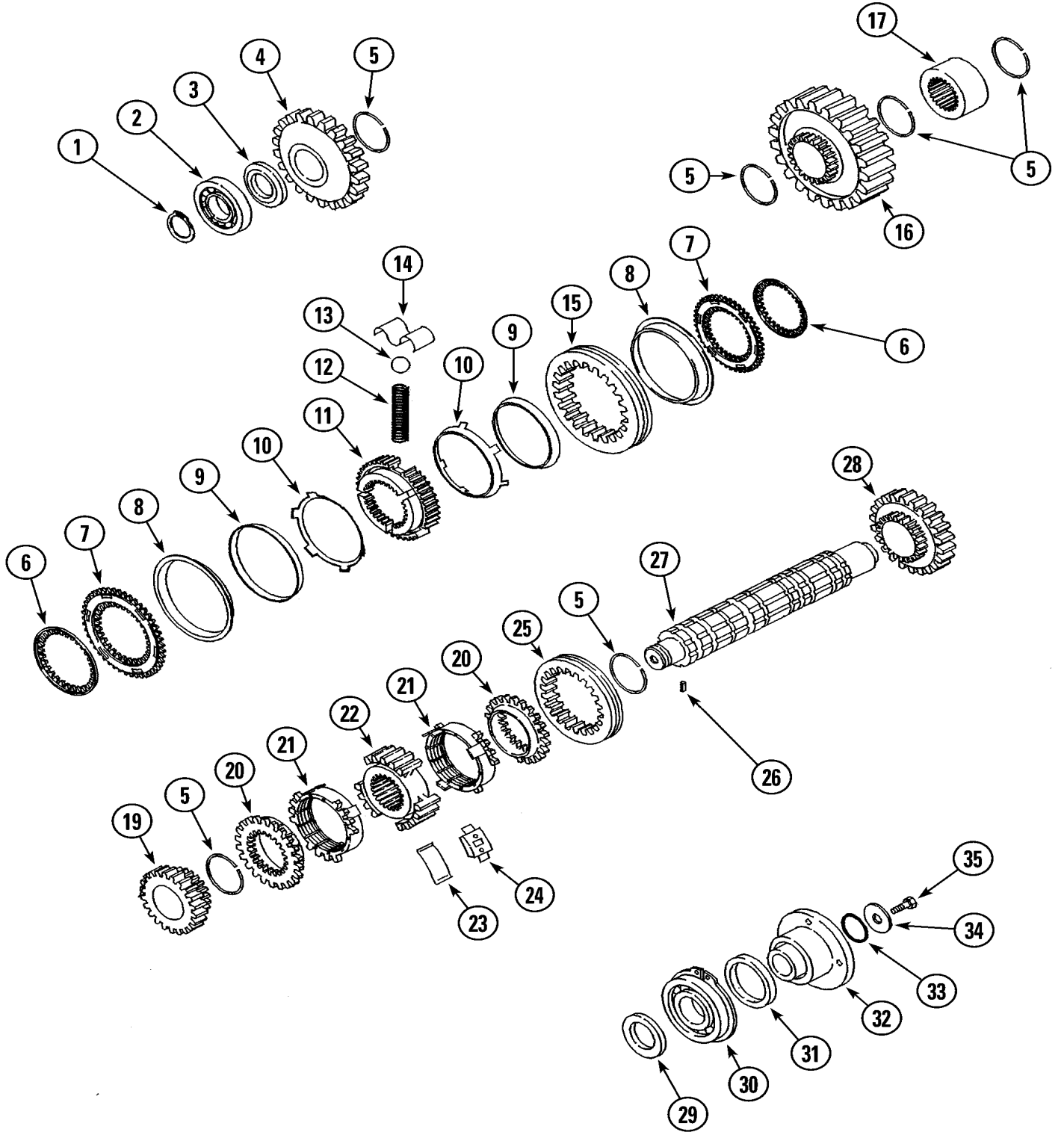
580SLE-CASE LOADER BACKHOE (S/N CGG0160030 & AFTER)

06-095

p1

11/2019

GEAR BOX - SECONDARY SHAFT - 2 WHEEL DRIVE, 580SLE CGG0160030-CGG0162087

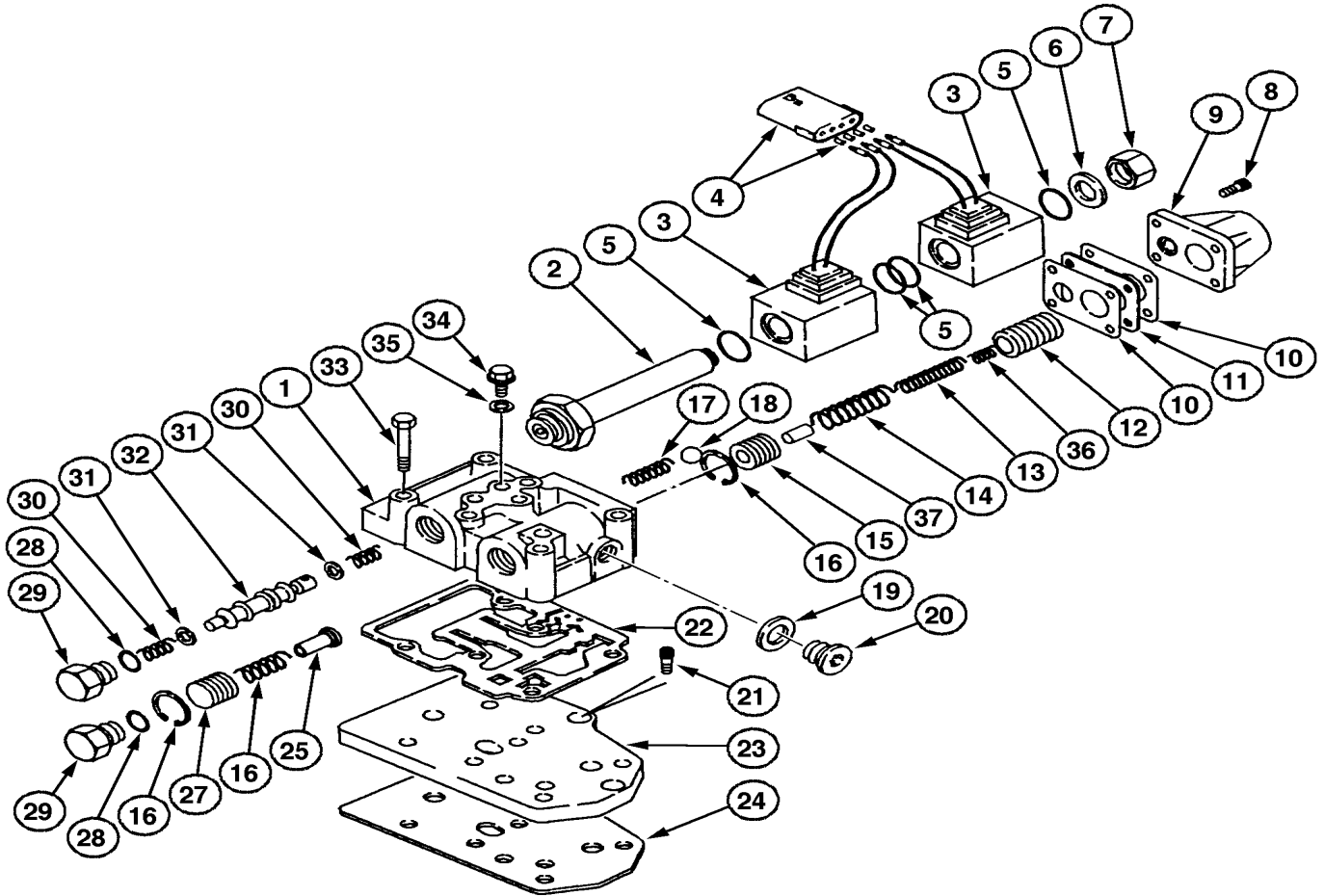


GEAR BOX - SECONDARY SHAFT - 4 WHEEL DRIVE, 580SLE CGG0162088-CGG0166288, CGG0166290-CGG0166315

| REF FN | PART NUMBER | YR/SN | QTY DESCRIPTION |
|--------|-------------|-------|---|
| 1 | 181118A1 | | 1 RING, LOCKING 36.5mm ID x 1.75mm Thk |
| 2 | 181132A1 | | 1 ROLLER BEARING 40mm ID x 80mm OD x 18mm W |
| 3 | 181193A1 | | 1 THRUST WASHER 40mm ID x 64mm OD 64x40 |
| 4 | 181190A1 | | 1 PINION 43T |
| 5 | 181114A1 | | 6 RING, SNAP |
| | 190427A1 | | 1 SYNCHRONIZER 90T Consists Of Ref. Numbers 6-15 |
| 6 | NSS | | 2 NOT SOLD SEPARAT Ring, Gear |
| 7 | NSS | | 2 NOT SOLD SEPARAT Ring, Gear |
| 8 | NSS | | 2 NOT SOLD SEPARAT Ring |
| 9 | NSS | | 2 NOT SOLD SEPARAT Spacer |
| 10 | NSS | | 2 NOT SOLD SEPARAT Ring, Snap |
| 11 | NSS | | 1 NOT SOLD SEPARAT Gear |
| 12 | NSS | | 3 NOT SOLD SEPARAT Spring |
| 13 | NSS | | 3 NOT SOLD SEPARAT Ball |
| 14 | NSS | | 3 NOT SOLD SEPARAT Plate |
| 15 | NSS | | 1 NOT SOLD SEPARAT Ring, Gear |
| 16 | 181189A1 | | 1 PINION 49T |
| 18 | 181222A1 | | 1 DRIVE PINION 44T |
| 19 | 181247A1 | | 1 PINION 24T |
| 20 | 241957A1 | | 2 FLANGE |
| | 190427A1 | | 1 SYNCHRONIZER 90T Consists Of Ref. Numbers 21-24 |
| 21 | 123800A1 | | 2 SYNCHRO RING |
| 22 | NSS | | 1 NOT SOLD SEPARAT Hub |
| 23 | 1967506C1 | | 3 SPRING |
| 24 | 123803A1 | | 3 SPRING |
| 25 | 1967537C1 | | 1 SLEEVE |
| 26 | 181108A1 | | 1 SPLIT PIN 3mm OD x 8mm L |
| 27 | 181183A1 | | 1 SHAFT Secondary (Rear Output Shaft) |

580SLE-CASE LOADER BACKHOE (S/N CGG0160030 & AFTER)

GEAR BOX - CONTROL BLOCK, 580SLE CGG0166289, CGG0166316



Used only on Transmissions without differential lock

DIFFERENTIAL LOCK - REAR DRIVE AXLE

| REF FN | PART NUMBER | YR/SN | QTY DESCRIPTION |
|--------|-------------|-------|---|
| 1 | 115393A1 | | 1 PEDAL |
| 2 | D50559 | | 1 CLEVIS 9.53mm OD x 28.32mm L |
| 3 | 432-48 | | 1 COTTER PIN 1/16" x 1/2" |
| 4 | 137747A1 | | 1 SEAL |
| 5 | 127821A2 | | 1 LEVER |
| 6 | 219-1 | | 1 LUBE NIPPLE 1/8" - 27 NPTF |
| 7 | D140035 | | 1 SHAFT 180mm L |
| 8 | 614-10025 | | 1 BOLT Hex, M10 x 1.5 x 25mm, CI 8.8 |
| 9 | 829-1410 | | 1 NUT M10 x 1.5, CI 10.9 |
| 10 | 139107A1 | | 1 SPRING |
| 11 | 213-125 | | 1 ADJUSTABLE CLEVIS 5/16" - 32 |
| 12 | 427-5094 | | 1 CLEVIS PIN 7.92mm OD x 23.88mm L |
| 13 | 432-612 | | 1 COTTER PIN 3/32" x 3/4" |
| 14 | 425-155 | | 1 JAM NUT Jam, 5/16"-24, G5 |
| 15 | 127536A1 | | 1 CABLE |
| 16 | D149288 | | 1 PIN 8.33mm OD x 30.66mm L Replaces 427-6106 |
| 17 | 432-612 | | 1 COTTER PIN 3/32" x 3/4" |

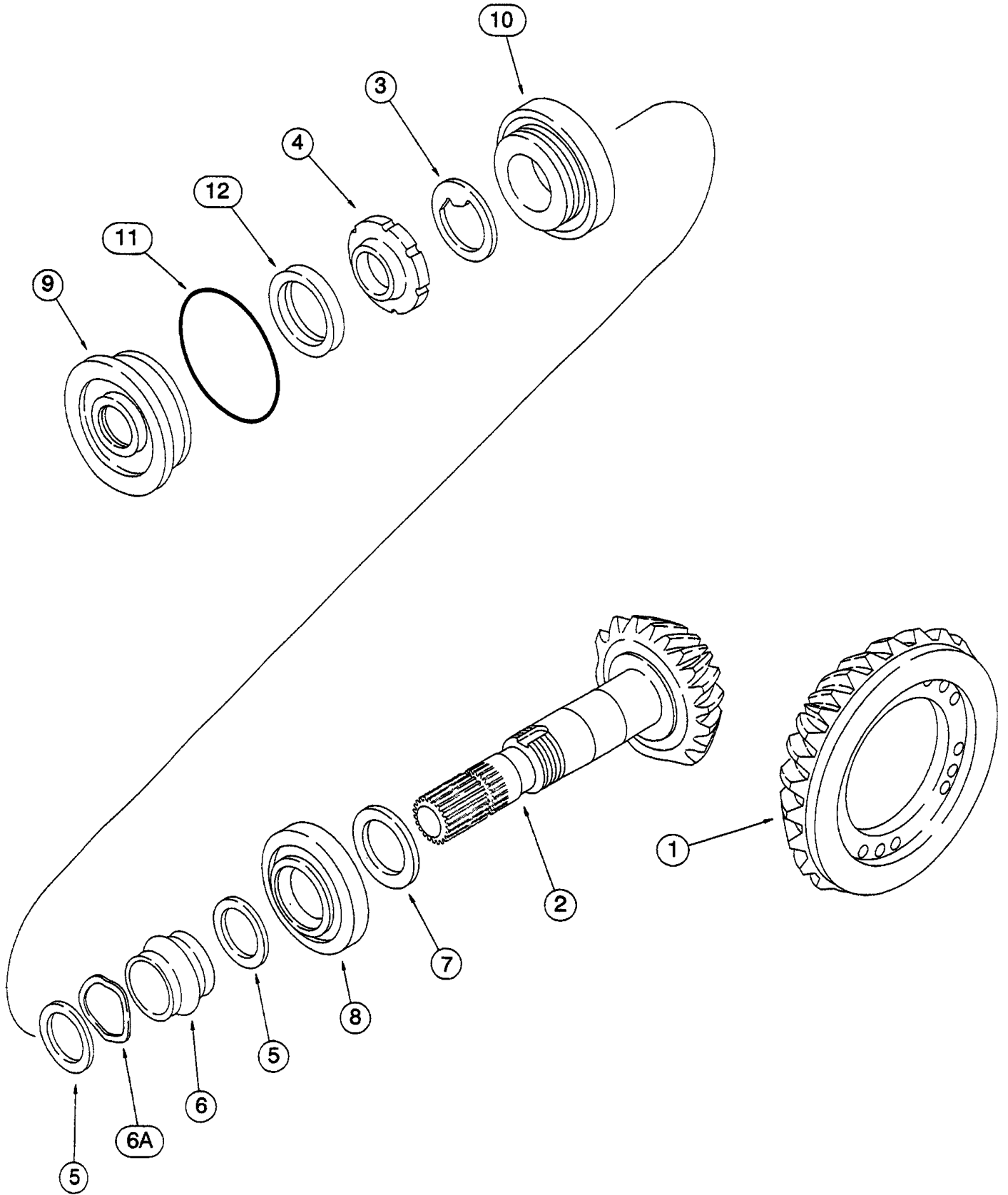
580SLE-CASE LOADER BACKHOE (S/N CGG0160030 & AFTER)

06-141

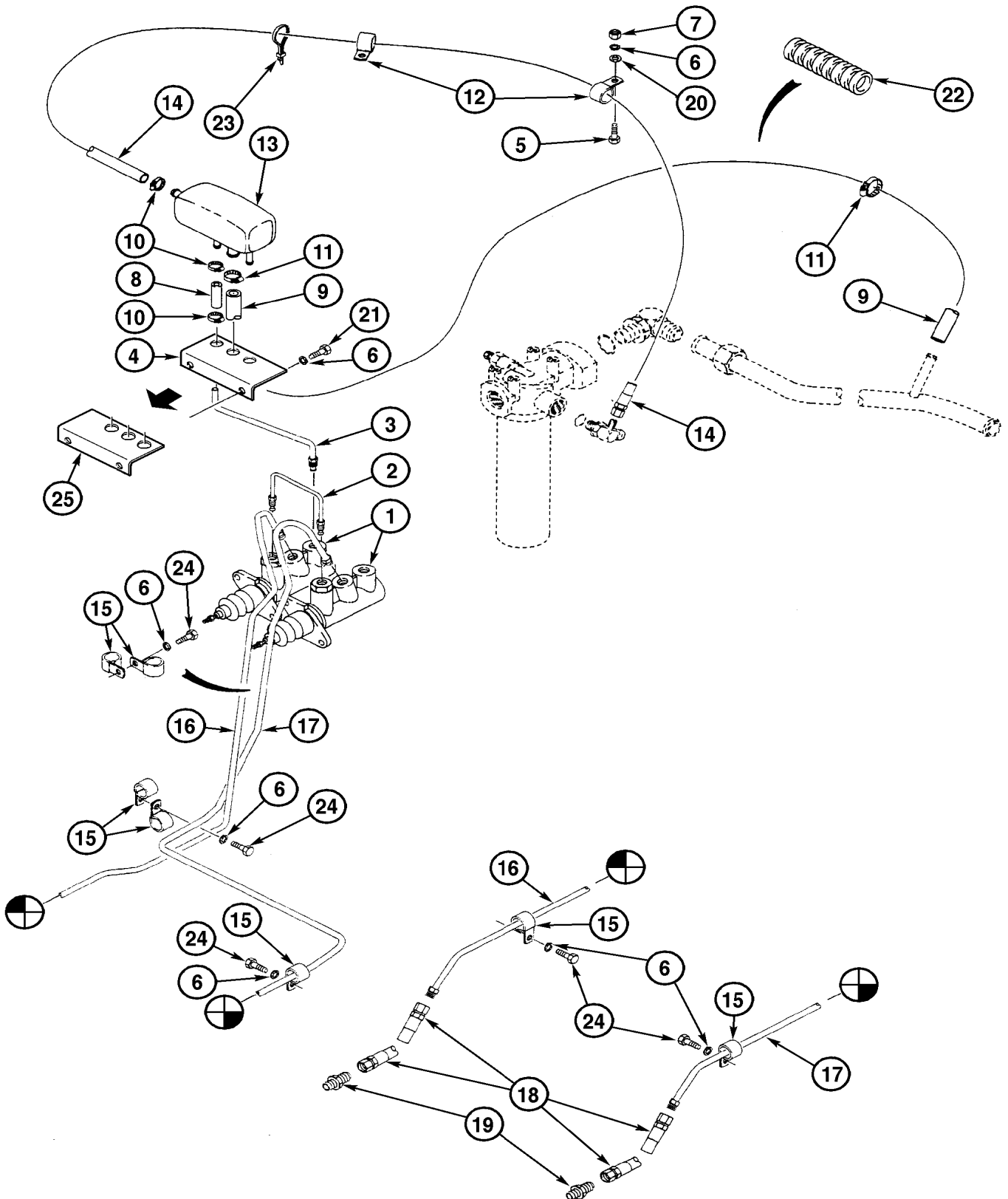
p1

11/201
9

REAR DRIVE AXLE - BEVEL GEAR, 580SLE CGG016030-CGG0166288, CGG0166290-CGG0166315



BRAKE CIRCUIT, 580SLE CGG0160030-

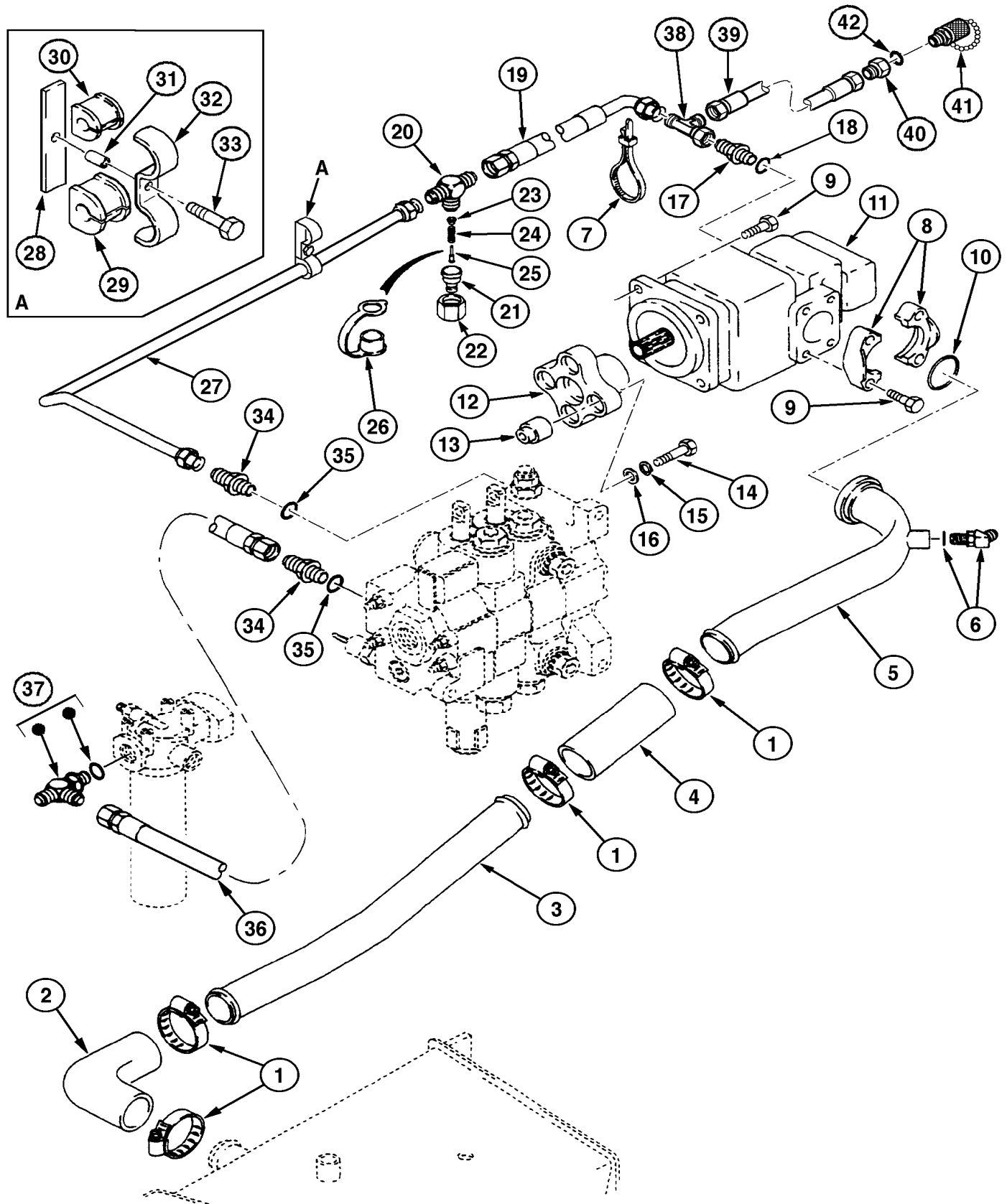


HYDRAULIC RESERVOIR - BATTERY BOX, 580SLE CGG0160030-CGG0163457

| REF FN | PART NUMBER | YR/SN | QTY DESCRIPTION |
|--------|-------------|-------|---|
| 1 | 231882A1 | | 1 TANK, HYDRAULIC OIL Replaces 187631A1 |
| 2 | 627-20040 | | 3 BOLT Hex, M20 x 2.5 x 40mm, CI 10.9, Full Thd 580LPS CGG0160030- CGG0162982 |
| 3 | 185646A1 | | 2 WASHER 580LPS CGG0160030- CGG0162982 |
| 3 | 185646A1 | | 4 WASHER 580LPS CGG0162983- |
| 4 | 185926A1 | | 2 SPACER 21mm x 40mm x 6.6mm Th |
| 5 | 217-1102 | | 1 HYD CONNECTOR 3/8" - 18 NPTF x 3/8" - 18 NPTF 3/8 in |
| 6 | 231788A1 | | 1 COVER Replaces 137894A1 |
| 7 | 614-10025 | | 4 BOLT Hex, M10 x 1.5 x 25mm, CI 8.8 |
| 8 | 495-21044 | | 4 WASHER 3/8" (7/16 x 1 x 5/64) |
| 9 | 120943A1 | | 1 STRAINER ASSY. |
| 10 | 122603A1 | | 1 SUPPORT |
| 11 | 121856A1 | | 1 BOLT Hex, M10 x 1.5 x 30mm, CI 10.9 M10 x 30 |
| 12 | 86625138 | | 1 PLUG 7/18" - 14 Consists of Ref. Number 13 |
| 13 | 237-6010 | | 1 O-RING 0.097" Thk x 0.755" ID, -910, CI 6, 90 Duro |
| 14 | 138595A1 | | 1 FILLER CAP Male, Lockable |
| 15 | 226456A1 | | 1 LEVEL GAUGE Replaces 180823A1 |
| 16 | 217-347 | | 1 FITTING 90 Degree Elbow, 3/8" Hose Barb x 9/16" - 18 Male ORB 3/8 stem x 9/16 Or, Consists Of Ref. Number 17 |
| 18 | 214-1408 | | 2 HOSE CLAMP 11.2mm - 19.8mm |
| 19 | 366584A1 | | 1 HOSE 9.53 mm ID x 735.00 mm, SAE 30R6, SAE 30R7 Replaces 143218A1 |
| 20 | 143219A1 | | 1 HOSE PROTECTION 19mm ID x 24mm OD x 450mm L |

580SLE-CASE LOADER BACKHOE (S/N CGG0160030 & AFTER)

RESERVOIR-PUMP-CONTROL VALVE CIRCUIT, 580SLE CGG0165093-CGG0167532



08-025

p1

11/2019

HYDRAULIC CIRCUIT - PUMP-CONTROL VALVE, 580SLE CGG0161814-

| REF FN | PART NUMBER | YR/SN | QTY DESCRIPTION |
|--------|-------------|-------|--|
| 1 | 218-5063 | | 1 HYD CONNECTOR 7/8" - 14 Male JIC x 1-1/16" - 12 Male ORB 7/8 fl x 1-1/16 Or, Consists Of Ref. Number 2 |
| 2 | 237-6012 | | 1 O-RING 0.116" Thk x 0.924" ID, -912, CI 6, 90 Duro |
| 3 | 144216A1 | | 1 HOSE 12.7mm ID x 800mm L 800 mm (31-1/2 in) |
| 4 | 122127A1 | | 1 TUBE 15.88 mm OD, 843, 52 mm Length |
| 5 | D67297 | | 1 BLOCK See Figure 08-009 |
| 6 | 218-736 | | 1 UNION 7/8"-14, 37 Degree x 7/8"-14, 37 Degree |
| 7 | 292451A1 | | 1 PIPE |
| 8 | 115633A1 | | 1 SUPPORT |
| 9 | D143797 | | 1 SHOCK ABSORBER |
| 10 | D143411 | | 1 CLAMP 28.96mm ID, 10.31mm Bolt Hole, J Type |
| 11 | 614-10025 | | 2 BOLT Hex, M10 x 1.5 x 25mm, CI 8.8 |
| 12 | 218-5062 | | 1 HYD CONNECTOR 7/8"-14, 37 Degree x 7/8"-14, O-Ring 7/8 fl x Or, Consists Of Ref. Number 13 |
| 13 | 237-6010 | | 1 O-RING 0.097" Thk x 0.755" ID, -910, CI 6, 90 Duro |
| 14 | 218-5069 | | 2 HYD CONNECTOR 1-5/16" - 12 Male JIC x 1-5/16" - 12 Male ORB Consists of Ref. Number 15 |
| 15 | 237-6016 | | 1 O-RING 0.116" Thk x 1.171" ID, -916, CI 6, 90 Duro |
| 16 | 144241A1 | | 1 HOSE 19.05mm ID x 977mm L 977 mm (38-1/2 in) |
| 17 | 136008A1 | | 1 SUPPORT |
| 18 | 614-12030 | | 1 BOLT Hex, M12 x 1.75 x 30mm, CI 8.8, Full Thd |
| 19 | 829-1412 | | 1 NUT M12 x 1.75, CI 10.9 |
| 20 | 144477A1 | | 1 ISOLATOR 29mm ID |

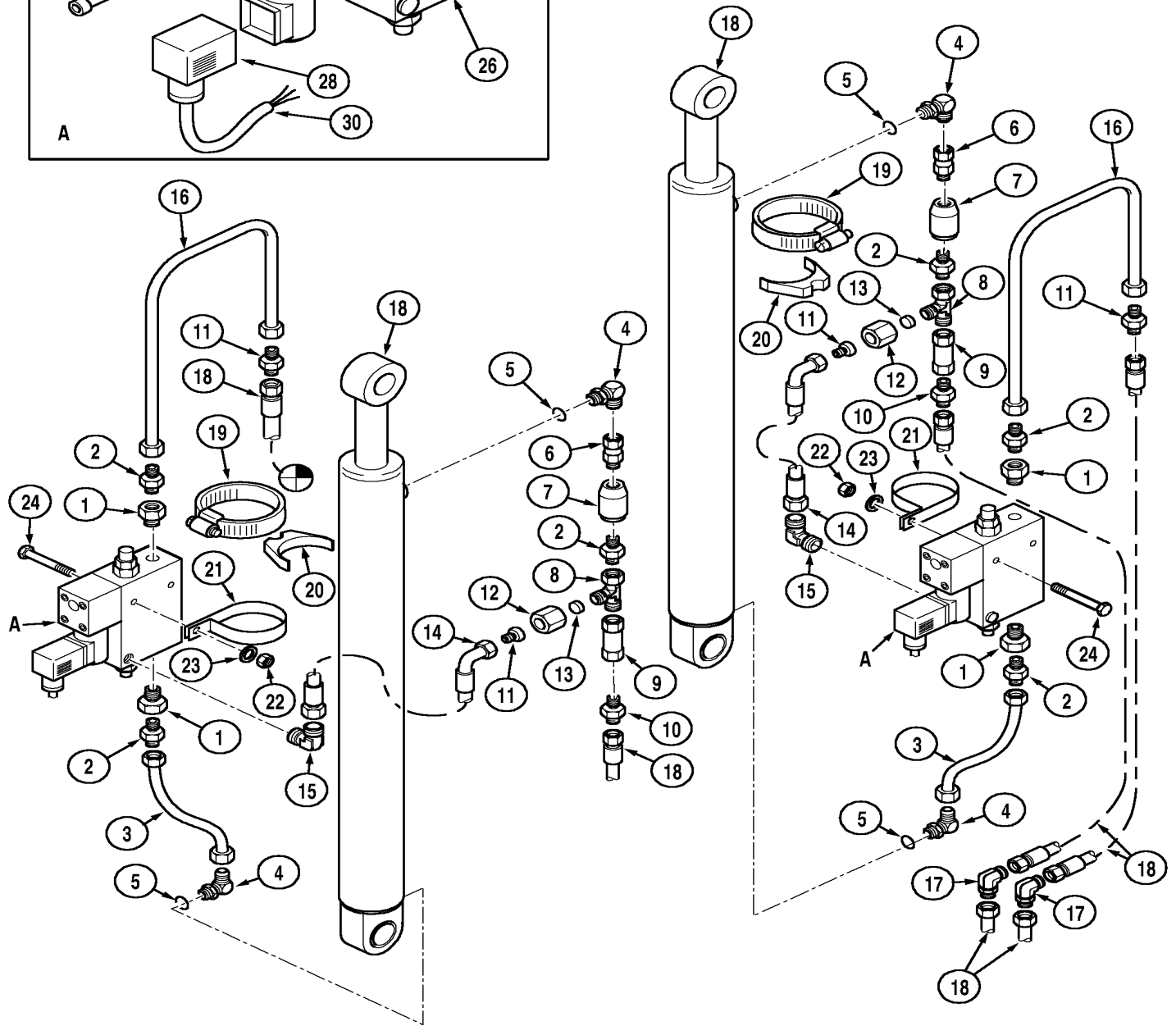
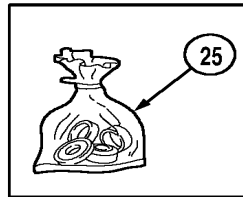
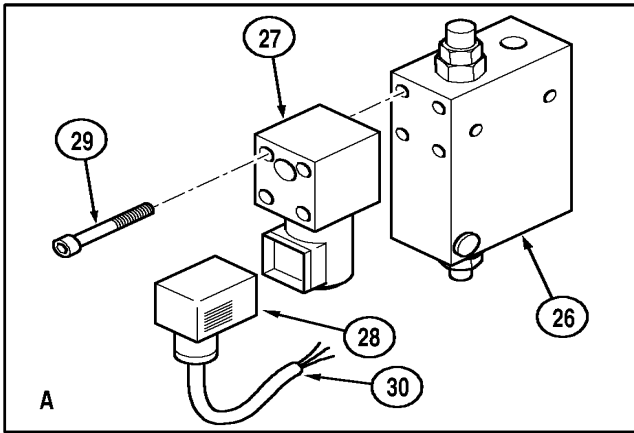
580SLE-CASE LOADER BACKHOE (S/N CGG0160030 & AFTER)

08-037

p1

11/2019

HYDRAULIC CIRCUIT - LOADER ARM CYLINDER - WITH VALVE, PRESSURE RELIEF - FLOATING POSITION



580SLE CGG0160030-

HYDRAULIC CIRCUIT - LOADER BUCKET, 4 IN 1 CYLINDER, 580SLE CGG0160030-

| REF FN | PART NUMBER | YR/SN | QTY DESCRIPTION |
|--------|-------------|-------|--|
| 1 | 1346190C1 | | 1 CYLINDER ASSY. 76x231mm, See Figure 08-291 |
| 2 | 1346189C1 | | 1 CYLINDER ASSY. 76x231mm, See Figure 08-291 |
| 3 | 192352A1 | | 1 HYD TUBE |
| 4 | 192345A1 | | 1 HYD TUBE |
| 5 | 183017A1 | | 4 HOSE 1260 mm (49-5/8 in) |
| 6 | D143846 | | 2 CLAMP 10,3mm ID x 77,7mm L |
| 7 | R46493 | | 2 SPACER 0.406" ID x 0.625" OD x 0.850" Thk |
| 8 | 814-10040 | | 2 BOLT Hex, M10 x 1.5 x 40mm, Cl 8.8 |
| 9 | 892-11010 | | 2 LOCK WASHER M10 |
| 10 | 218-1237 | | 2 TEE 7/8"-14, 37 Degree, Blkhd |
| 11 | 218-1251 | | 2 BHD LOCK NUT Blkhd, 7/8"-14 |
| 12 | 144243A1 | | 2 HOSE 12.7mm ID x 1167mm L 1167 mm (46 in) |
| 13 | 515-25254 | | 2 CLAMP 1", Insul, 1/2" Bolt |
| 15 | 832-10410 | | 1 NUT M10 x 1.5, Cl 8 |
| 16 | 218-5137 | | 2 ELBOW 45 Degree Elbow, 7/8" - 14 Male JIC x 7/8" - 14 Male ORB Consists of Ref 17 |
| 17 | 237-6010 | | 1 O-RING 0.097" Thk x 0.755" ID, -910, Cl 6, 90 Duro |
| 18 | 218-5107 | | 2 90 ELBOW 90 Degree Elbow, 7/8" - 14 Male JIC x 7/8" - 14 Male ORB 7/8 fl x adj Or, Inc. 19 |
| 19 | 237-6010 | | 1 O-RING 0.097" Thk x 0.755" ID, -910, Cl 6, 90 Duro |
| 20 | D38648 | | 2 BLOCK |
| 21 | 214-1464 | | 2 HOSE CLAMP #64, 3.56" - 4.5", Type F Worm |
| 14 | 895-11010 | | 1 WASHER 11mm ID x 20mm OD x 2mm Thk |

580SLE-CASE LOADER BACKHOE (S/N CGG0160030 & AFTER)

HYDRAULIC CIRCUIT - CARRIAGE RELEASE - SIDESHIFT VERSION, 580SLE CGG0161814-

| REF FN | PART NUMBER | YR/SN | QTY DESCRIPTION |
|--------|-------------|-------|---|
| 1 | 196708A1 | | 2 HOSE 320 mm (12-5/8 in) |
| 2 | 218-5057 | | 3 HYD CONNECTOR 9/16" - 18 JIC x 9/16" - 18 ORB Consists of Ref. Number 3 |
| 4 | 141485A1 | | 1 DISTRIBUTOR Sideshift Release Device |
| 5 | 814-6060 | | 2 BOLT Hex, M6 x 1 x 60mm, CI 8.8 |
| 6 | 892-11006 | | 2 LOCK WASHER M6 |
| 7 | 194645A1 | | 1 PIPE |
| 8 | 193564A1 | | 2 SHIN |
| 9 | 614-8016 | | 1 BOLT Hex, M8 x 1.25 x 16mm, CI 8.8, Full Thd |
| 10 | 832-10408 | | 1 NUT M8 x 1.25, CI 8.8 |
| 11 | 220150A1 | | 1 HOSE 6.35mm ID x 1340mm L |
| 12 | 218-5478 | | 1 TEE 7/16" - 20 JIC x 7/16" - 20 JIC x 7/16" - 20 JIC |
| 13 | 218-531 | | 2 ELBOW 45 Degree, 7/16-20" 37 Degree x 1/8"-27, NPTF |
| 14 | 197229A2 | | 1 TUBE ASSY. 6.35 mm OD |
| 15 | 218-441 | | 4 HYD CONNECTOR 7/16" - 20 Male JIC x 1/8" - 27 Male NPTF 7/16 fl x 1/8 PT |
| 16 | 141451A2 | | 1 PIPE |
| 17 | 185768A2 | | 1 PIPE |
| 18 | 86643151 | | 2 PLUG Hex Hd, 1/8"-27 NPTF |
| 19 | 218-5000 | | 1 HYD CONNECTOR 7/16" - 20 Male JIC x 7/8" - 14 Male ORB Consists Of Ref. Number 20 |
| 20 | 237-6010 | | 1 O-RING 0.097" Thk x 0.755" ID, -910, CI 6, 90 Duro |
| 21 | 218-5228 | | 1 ELBOW 90 Degree, 7/16"-20, 37 Degree x 7/16"-20, 37 Degree Fem Sw 7/16 fl x sw |
| 22 | 284580A1 | | 2 SPACER |

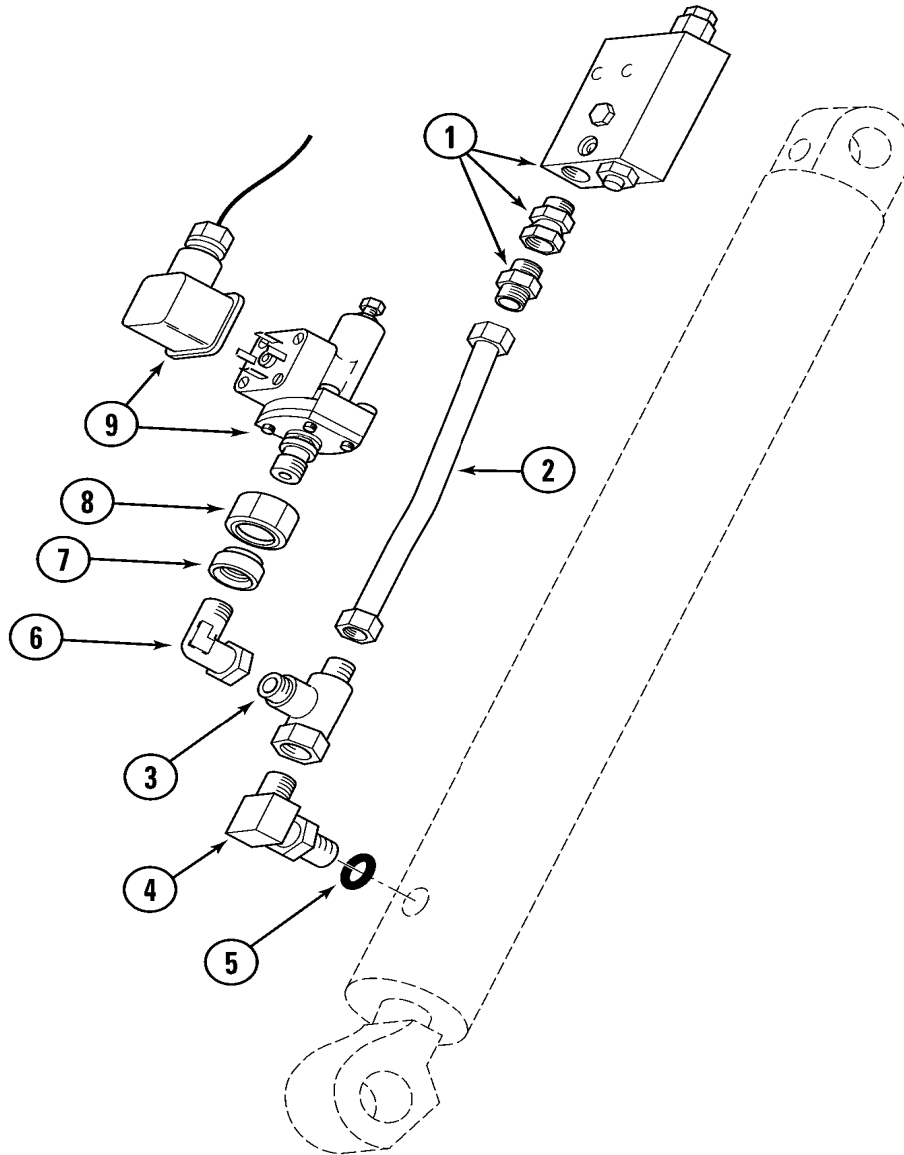
580SLE-CASE LOADER BACKHOE (S/N CGG0160030 & AFTER)

08-085

p1

11/201
9

HYDRAULIC CIRCUIT - OVERLOAD INDICATOR, 580SLE CGG0160030-CGG0165016

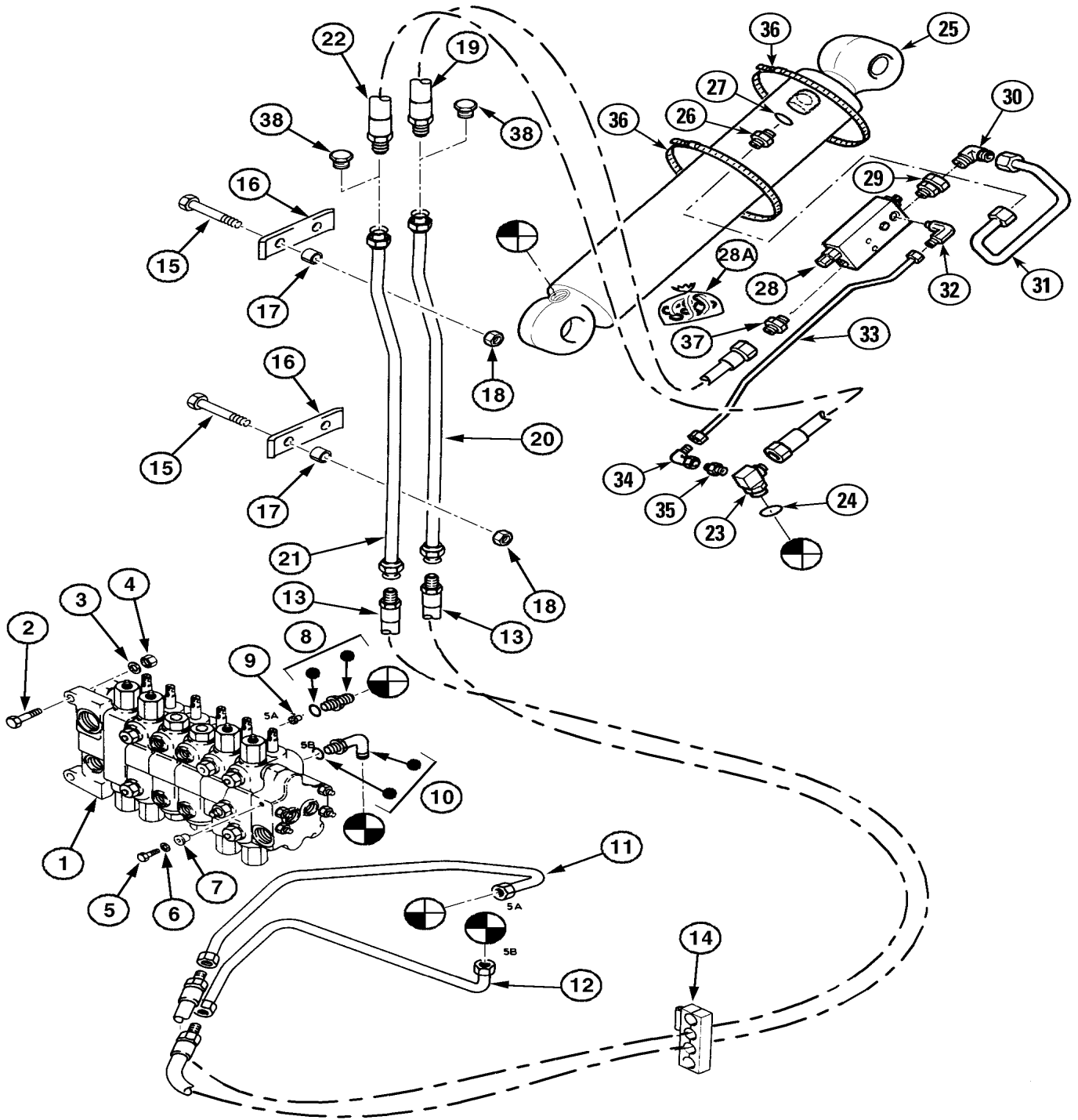


HYDRAULIC CIRCUIT - BACKHOE DIPPER CYLINDER - WITH LOAD HOLDING VALVE - AXIAL VERSION

| REF FN | PART NUMBER | YR/SN | QTY DESCRIPTION |
|--------|-------------|-------|---|
| 1 | 229690A1 | | 1 DISTRIBUTOR See Page(s) 08-227 |
| 1 | 243141A1 | | 1 DISTRIBUTOR See Page(s) 08-229 |
| 2 | 814-12045 | | 2 BOLT Hex, M12 x 1.75 x 45mm, CI 8.8 |
| 3 | 896-11012 | | 2 WASHER 13.5mm ID x 24mm OD x 3mm Thk |
| 4 | 829-1412 | | 2 NUT M12 x 1.75, CI 10.9 |
| 5 | 413-624 | | 1 BOLT Hex, 3/8" - 16 x 1-1/2", Gr 5 |
| 6 | D52275 | | 1 WASHER 9.92mm ID x 31.75mm OD x 2.78mm Thk |
| 7 | D52276 | | 1 ISOLATOR 10.16mm ID x 28.07mm OD x mm L |
| 8 | 218-5064 | | 2 HYD CONNECTOR 1-1/16" - 12 Male JIC x 1-1/16" - 12 Male ORB Consists of Ref 9 |
| 9 | 237-6012 | | 1 O-RING 0.116" Thk x 0.924" ID, -912, CI 6, 90 Duro |
| 10 | D142366 | | 1 RESTRICTOR |
| 11 | 193499A1 | | 1 HOSE 15.88mm ID x 1295mm L 1295 mm (51 in) |
| 11A | 193117A1 | | 1 HOSE 15.88mm ID x 1295mm L 1295 mm (51 in) |
| 12 | 143439A1 | | 2 CLAMP |
| 13 | 176226A1 | | 1 CLAMP |
| 14 | 614-8025 | | 6 BOLT Hex, M8 x 1.25 x 25mm, CI 8.8, Full Thd |
| 15 | 892-11008 | | 6 LOCK WASHER 8mm ID |
| 16 | 143882A1 | | 1 FIXING BRACKET |
| 17 | 132212A1 | | 1 PLATE |
| 18 | 814-12100 | | 2 BOLT Hex, M12 x 1.75 x 100mm, CI 8.8 |
| 19 | 832-10412 | | 2 NUT M12 x 1.75, CI 8 |
| 20 | L18337 | | 1 CABLE TIE 9.95"-12.1" lg CABLE STRAP , 15 in |
| 21 | 142126A1 | | 1 HYD TUBE 19.05 mm OD, 726 mm Length |
| 22 | 193793A1 | | 1 HOSE 15.88mm ID x 660mm L 660 mm (26 in) |

580SLE-CASE LOADER BACKHOE (S/N CGG0160030 & AFTER)

HYDRAULIC CIRCUIT - BACKHOE DIPPER CYLINDER - WITH LOAD HOLDING VALVE - SIDESHIFT VERSION

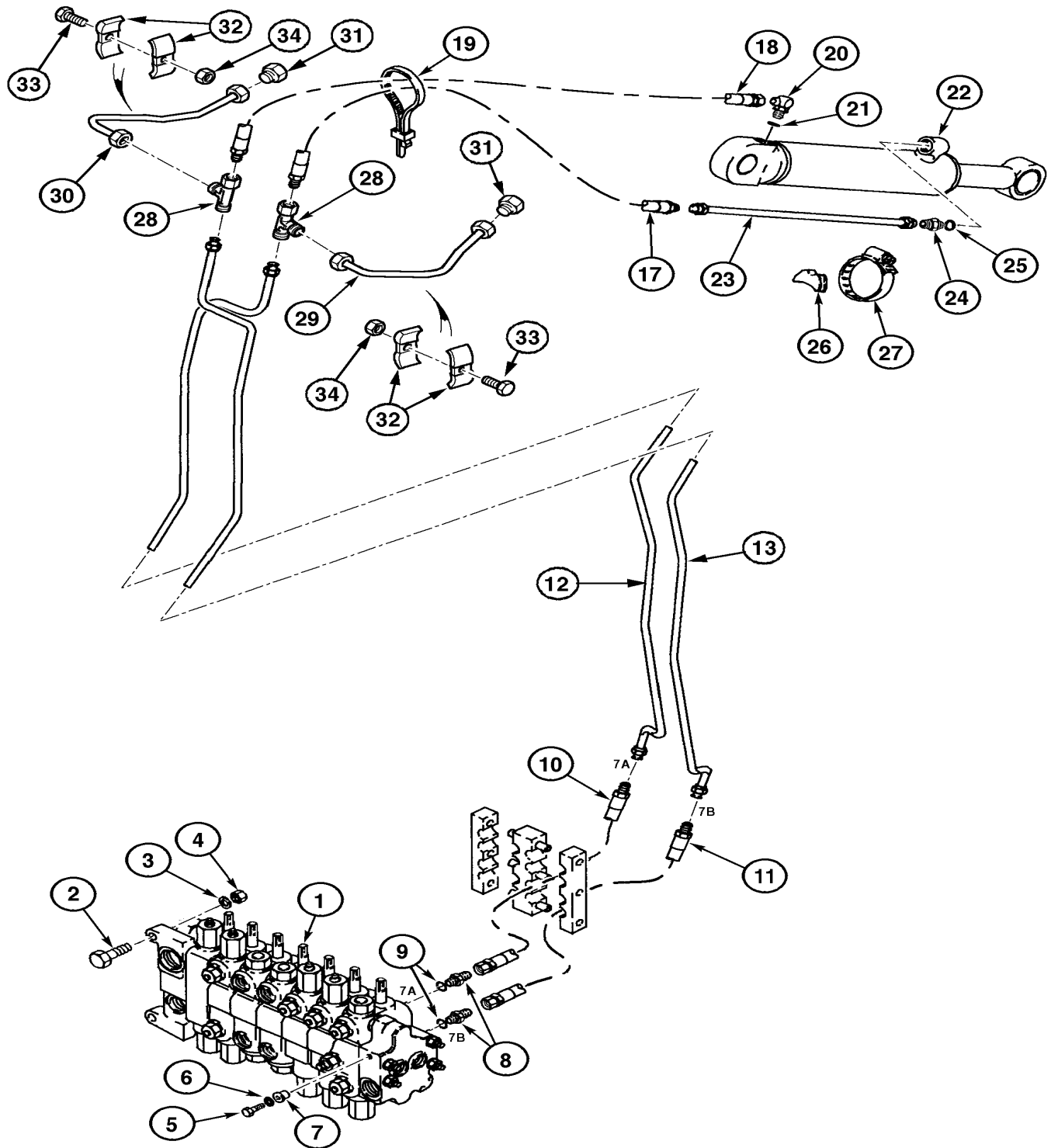


HYDRAULIC CIRCUIT - BACKHOE BUCKET CYLINDER - STANDARD DIPPER - SIDESHIFT VERSION

| REF FN | PART NUMBER | YR/SN | QTY DESCRIPTION |
|--------|-------------|-------|---|
| 22 | 133605A1 | | 4 CLAMP |
| 23 | 814-12080 | | 8 BOLT Hex, M12 x 1.75 x 80mm, CI 8.8 |
| 24 | 132930A1 | | 8 SPACER |
| 25 | 832-10412 | | 8 NUT M12 x 1.75, CI 8 |
| 26 | 133604A1 | | 4 CLAMP |
| 27 | 814-12060 | | 4 BOLT Hex, M12 x 1.75 x 60mm, CI 8.8 |
| 28 | 832-10412 | | 4 NUT M12 x 1.75, CI 8 |
| 29 | 183660A1 | | 1 HOSE 640 mm (25-1/4 in) |
| 30 | 256091A1 | | 1 HYD TUBE 19.05 mm OD, 906, 58 mm Length |
| 31 | 218-5064 | | 1 HYD CONNECTOR 1-1/16" - 12 Male JIC x 1-1/16" - 12 Male ORB Incl. 32 |
| 32 | 237-6012 | | 1 O-RING 0.116" Thk x 0.924" ID, -912, CI 6, 90 Duro |
| 33 | 110290A1 | | 1 CYLINDER ASSY. 89x872mm, See Page(s) 08-313 |
| 33 | 235916A1 | | 1 HYDRAULIC CYLINDER Double Acting, 63.5mm Rod, 871.7mm Stroke See Page(s) 08-315 |
| 34 | 218-777 | | 2 PLUG 1 1/16"-12, 37 Degree |

580SLE-CASE LOADER BACKHOE (S/N CGG0160030 & AFTER)

HYDRAULIC CIRCUIT - EXTENSION CYLINDER - TELESCOPIC DIPPERSTICK - AUXILIARY HYDRAULIC



AUXILIARY HYDRAULIC - TELESCOPIC DIPPER - SIDESHIFT VERSION.

| REF FN | PART NUMBER | YR/SN | QTY DESCRIPTION |
|--------|-------------|-------|---|
| 1 | 227879A1 | | 1 DISTRIBUTOR See Page(s) 08-231 |
| 1 | 333581A1 | | 1 VALVE, CONTROL See Page(s) 08-233 |
| 2 | 218-5245 | | 1 TEE 1-5/16" - 12 Male JIC x 1-5/16" - 12 Male JIC x 1-5/16" - 12 Male ORB Consists Of Ref. Number 3 |
| 3 | 237-6016 | | 1 O-RING 0.116" Thk x 1.171" ID, -916, CI 6, 90 Duro |
| 4 | 231677A2 | | 1 PIPE |
| 5 | 218-5124 | | 2 ELBOW 90 Degree Elbow, 1-5/16" - 12 Male JIC x 1-1/16" - 12 Male ORB Consists of Ref. Number 6 |
| 6 | 237-6012 | | 1 O-RING 0.116" Thk x 0.924" ID, -912, CI 6, 90 Duro |
| | 141475A1 | | 1 SOLENOID VALVE Consists Of Ref. Numbers 7-13 |
| 7 | NSS | | 1 NOT SOLD SEPARAT Body |
| 8 | 195679A1 | | 1 VALVE |
| 9 | 195680A1 | | 1 WASHER |
| 10 | 195681A1 | | 1 COIL |
| 11 | 195682A1 | | 1 HOUSING |
| 12 | NSS | | 1 NOT SOLD SEPARAT Washer |
| 13 | 195683A1 | | 1 JAM NUT 1/2"-20 |
| 14 | 185975A1 | | 1 SUPPORT See Page(s) 9-35, 9-37 |
| 15 | 814-6075 | | 1 BOLT Hex, M6 x 1 x 75mm, CI 8.8 M6x75 |
| 16 | 177489A1 | | 1 SUPPORT |
| 17 | 895-11006 | | 2 WASHER 6.6mm ID x 12mm OD x 1.6mm Thk |
| 18 | 829-1406 | | 2 NUT Hex, M6 x 1, CI 10.9 |
| 19 | 892-11006 | | 2 LOCK WASHER M6 |
| 20 | 231675A3 | | 1 PIPE |
| 21 | 218-590 | | 1 TEE 37°, 1 5/16"-12 x 1 1/16"-12, Run |
| 22 | 231669A2 | | 1 PIPE |

580SLE-CASE LOADER BACKHOE (S/N CGG0160030 & AFTER)

CLICK HERE TO **DOWNLOAD** THE COMPLETE MANUAL

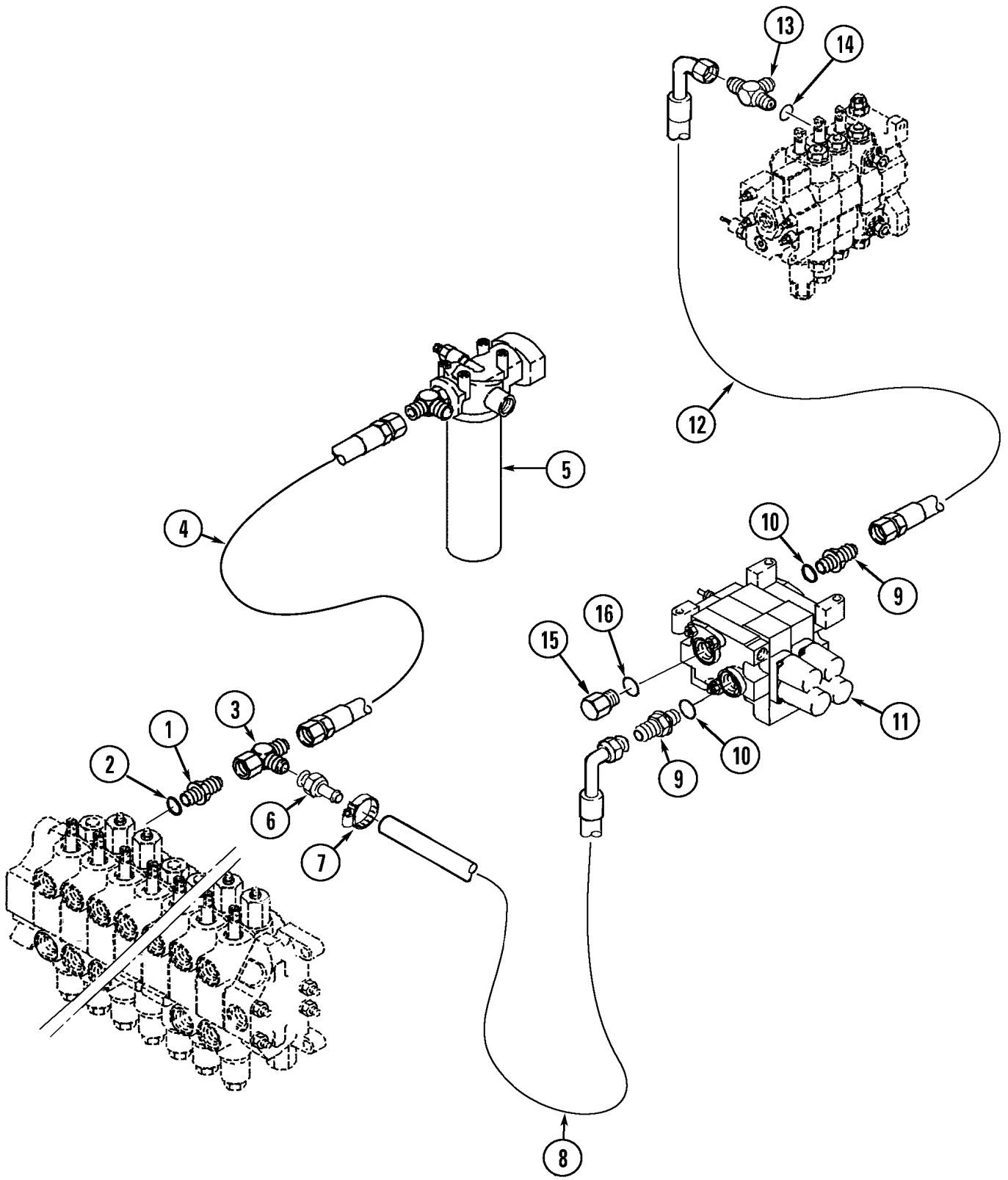
- Thank you very much for reading the preview of the manual.
- You can download the complete manual from: www.heydownloads.com by clicking the link below



- Please note: If there is no response to CLICKING the link, please download this PDF first and then click on it.

CLICK HERE TO **DOWNLOAD** THE COMPLETE MANUAL

HANDHELD AUXILIARY HYDRAULIC - HYDRAULIC CIRCUIT, 580SLE CGG0161814-

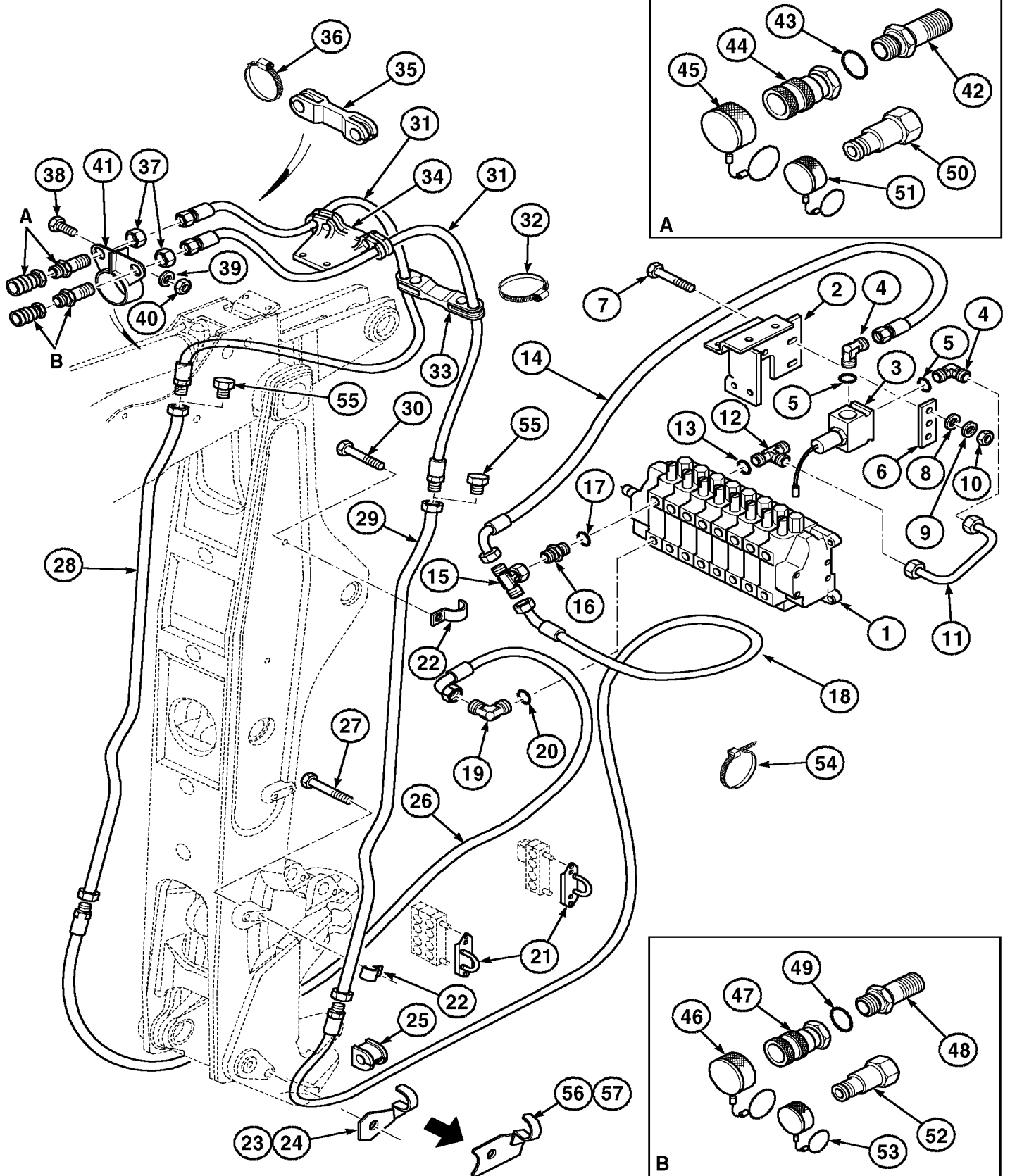


HANDHELD AUXILIARY HYDRAULIC - HYDRAULIC AND ELECTRICAL CIRCUIT, 580SLE CGG0160030-CGG0161813

| REF FN | PART NUMBER | YR/SN | QTY DESCRIPTION |
|--------|-------------|-------|---|
| 1 | 121740A2 | | 1 VALVE, CONTROL See Page(s) 08-269 |
| 2 | 224788A3 | | 1 SUPPORT Replaces 224788A1 |
| 3 | 814-12050 | | 2 BOLT Hex, M12 x 1.75 x 50mm, CI 8.8 |
| 4 | 896-11012 | | 2 WASHER 13.5mm ID x 24mm OD x 3mm Thk |
| 5 | 814-10070 | | 3 BOLT Hex, M10 x 1.5 x 70mm, CI 8.8 |
| 7 | 829-1410 | | 3 NUT M10 x 1.5, CI 10.9 |
| 8 | 218-5057 | | 2 HYD CONNECTOR 9/16" - 18 JIC x 9/16" - 18 ORB Consists of Ref. Number 9 |
| 10 | 218-980 | | 1 ELBOW 90 Degree, 9/16"-18, 37 Degree x 9/16"-18, 37 Degree Fem Sw |
| 11 | 175276A1 | | 1 TUBE 9.53 mm OD |
| 12 | 218-5058 | | 1 HYD CONNECTOR 9/16" - 18 Male JIC x 3/4" - 18 Male ORB 9/16 fl x 3/4 Or, Consists Of Ref. Number 13 |
| 13 | 237-6008 | | 1 O-RING 0.087" Thk x 0.644" ID, -908, CI 6, 90 Duro |
| 14 | 137012A1 | | 1 SOLENOID VALVE |
| 15 | 137713A1 | | 1 SUPPORT |
| 16 | 136977A1 | | 1 LARGE PLATE PLATE, LARGE |
| 17 | 814-6060 | | 2 BOLT Hex, M6 x 1 x 60mm, CI 8.8 |
| 18 | 895-11006 | | 2 WASHER 6.6mm ID x 12mm OD x 1.6mm Thk |
| 19 | 829-1406 | | 2 NUT Hex, M6 x 1, CI 10.9 |
| 20 | 515-2379 | | 1 CLAMP 5/16", Insul, 3/8" Bolt (7.9 mm) |
| 21 | 218-5128 | | 1 ELBOW 90° Elbow, 9/16" - 18 Male JIC x 3/4" - 16 Male ORB Consists of Ref # 22 |
| 22 | 237-6008 | | 1 O-RING 0.087" Thk x 0.644" ID, -908, CI 6, 90 Duro |
| 23 | 222676A1 | | 1 HOSE 347mm |
| 24 | 86512512 | | 2 PLUG 7/8" - 14 ORB Consists of Ref. 25 |

580SLE-CASE LOADER BACKHOE (S/N CGG0160030 & AFTER)

AUXILIARY HYDRAULIC - BACKHOE ATTACHMENT - SIDESHIFT VERSION, 580SLE CGG0166116-

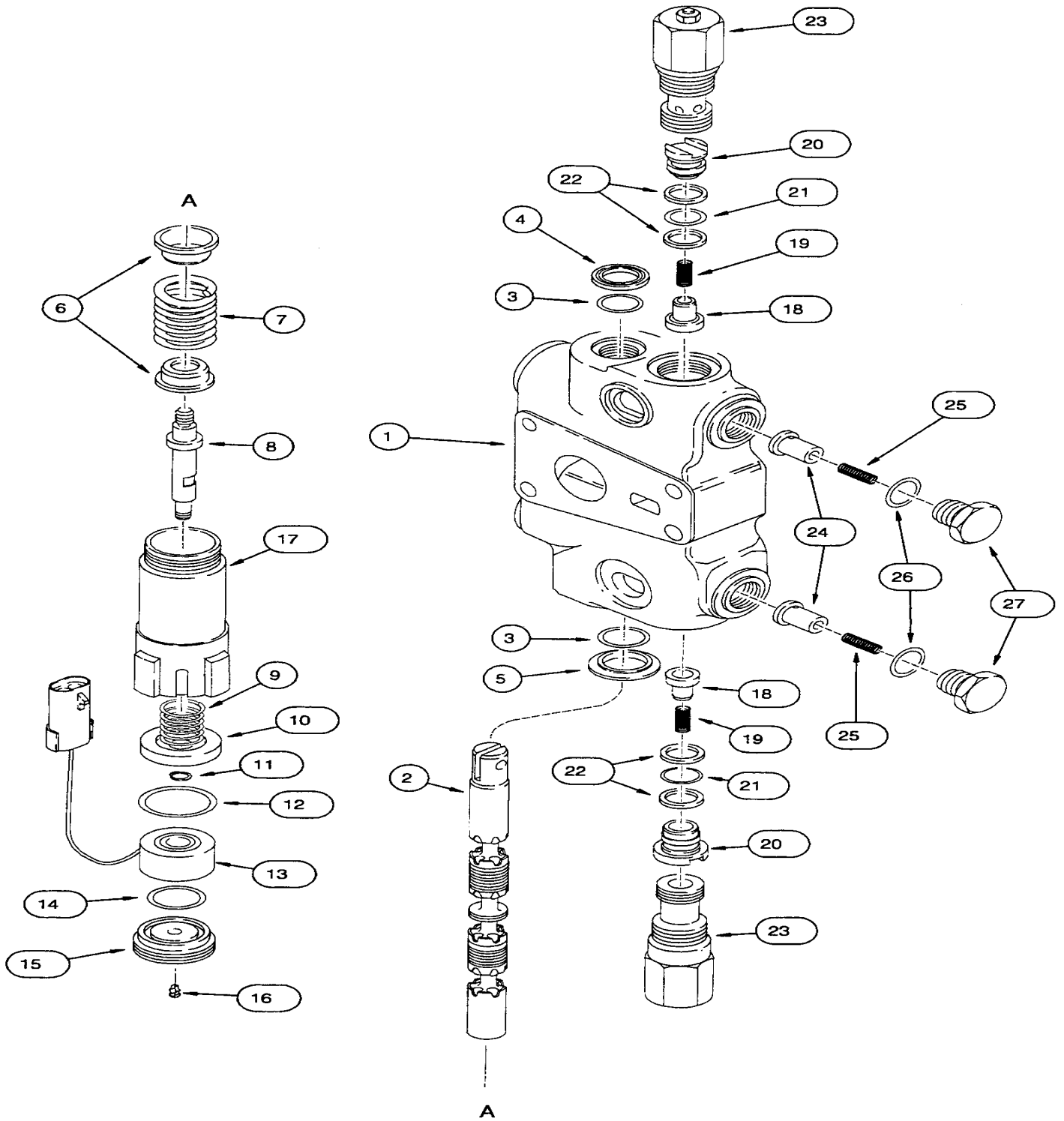


SEQUENCE VALVE - 580SLE CGG0160030-

| REF FN | PART NUMBER | YR/SN | QTY DESCRIPTION |
|--------|-------------|-------|--|
| | 1543358C2 | | 1 VALVE Consists Of Ref. Numbers 1-30 |
| 1 | NSS | | 1 NOT SOLD SEPARAT |
| 2 | NSS | | 1 NOT SOLD SEPARAT |
| 3 | 1994608C1 | | 2 O-RING 0.737" ID x 0.943" OD x 0.103" |
| 4 | A32309 | | 1 SEAL 18.8mm ID x 25.5mm OD x 3.1mm Thk |
| 5 | G108896 | | 1 O-RING |
| 6 | G108895 | | 1 SPRING |
| 7 | G108892 | | 1 SPRING |
| 8 | G108891 | | 1 SPRING |
| 9 | G108893 | | 1 SEAT |
| 10 | 61-33812 | | 1 HEX SOC SCREW 3/8"-16 x 3/4" |
| 11 | G108894 | | 1 CAP |
| 12 | G108017 | | 1 SPOOL |
| 13 | G107174 | | 1 SPRING |
| | G110077 | | 1 KIT Consists Of Ref. Numbers 18-30 |
| 18 | NSS | | 1 NOT SOLD SEPARAT |
| 19 | NSS | | 1 NOT SOLD SEPARAT |
| 20 | 238-6018 | | 1 O-RING 0.07" Thk x 0.739" ID, -18, CI 6, 90 Duro |
| 21 | G35540 | | 1 BACK-UP RING 19.43mm ID x 22.23mm OD x 1.32mm Thk |
| 22 | NSS | | 1 NOT SOLD SEPARAT |
| 23 | 238-5011 | | 1 O-RING 0.07" Thk x 0.301" ID, -11, CI 5, 75 Duro |
| 24 | NSS | | 1 NOT SOLD SEPARAT |
| 25 | NSS | | 1 NOT SOLD SEPARAT |
| 26 | NSS | | 1 NOT SOLD SEPARAT |
| 27 | 238-6014 | | 1 O-RING 0.07" Thk x 0.489" ID, -14, CI 6, 90 Duro |
| 28 | 484-43120 | | 1 SET SCREW Hex Soc, 5/16"-24 x 1 1/4" 5/16 NFX1-1/4 |
| 29 | 425-155 | | 1 JAM NUT Jam, 5/16"-24, G5 |

580SLE-CASE LOADER BACKHOE (S/N CGG0160030 & AFTER)

LOADER CONTROL VALVE - STANDARD BUCKET CYLINDER SECTION



LOADER CONTROL VALVE - OUTLET PLATE - 580SLE CGG0160030-

| REF FN | PART NUMBER | YR/SN | QTY DESCRIPTION |
|--------|-------------|-------|--|
| | 132004A2 | | 1 HYD VALVE SECTION Consists Of Ref. Numbers 1-5 |
| 1 | NSS | | 1 NOT SOLD SEPARAT |
| 2 | G109644 | | 1 PLUG Hex, 3/4" - 16 |
| 3 | 237-6008 | | 1 O-RING 0.087" Thk x 0.644" ID, -908, CI 6, 90 Duro |
| 4 | G109646 | | 1 SPRING Compression, 6.35mm OD x 38.35mm L |
| 5 | G109645 | | 1 VALVE POPPET |

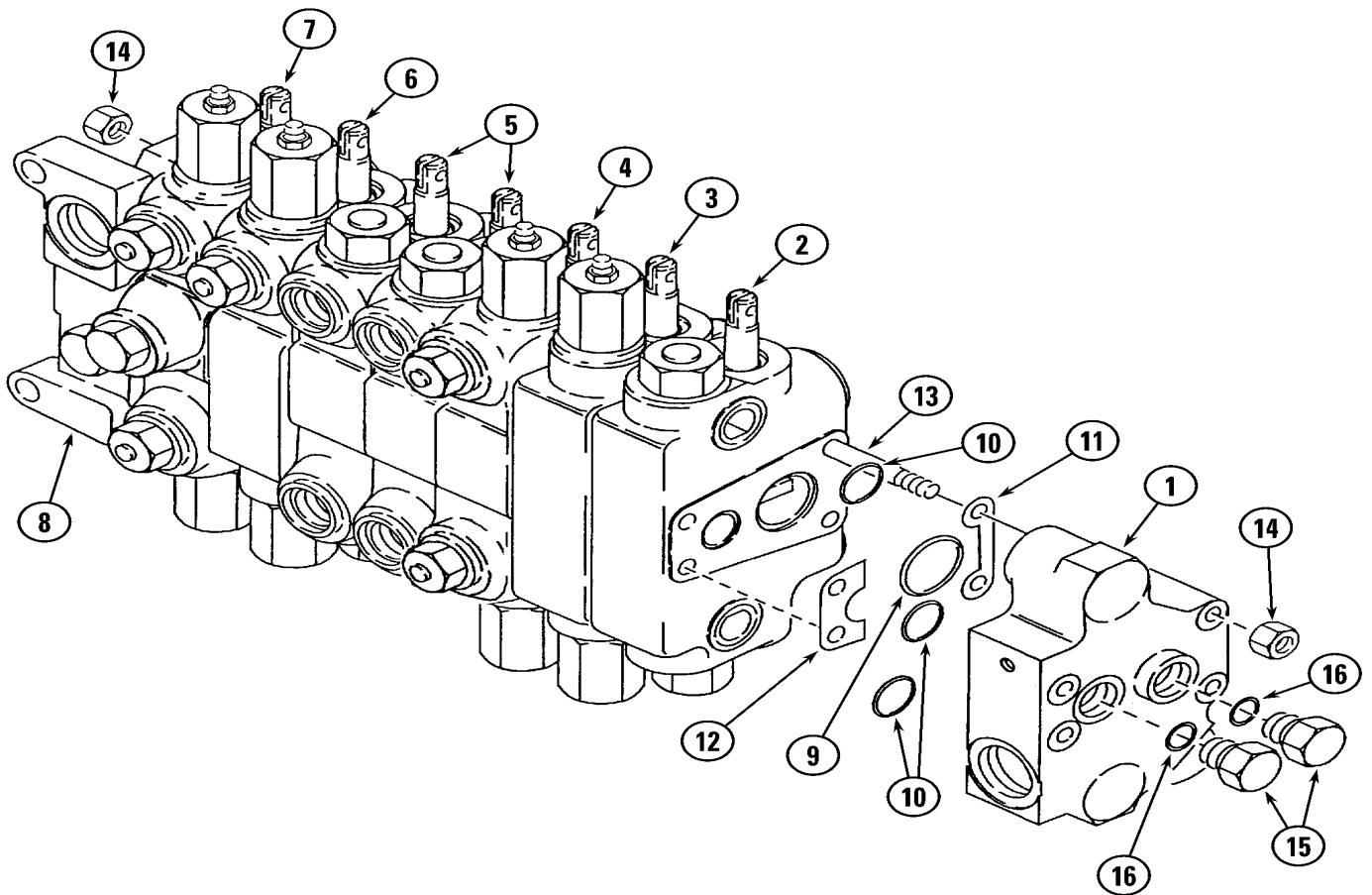
580SLE-CASE LOADER BACKHOE (S/N CGG0160030 & AFTER)

08-223

p1

11/201
9

BACKHOE CONTROL VALVE - TELESCOPIC DIPPER - 7 SECTIONS.



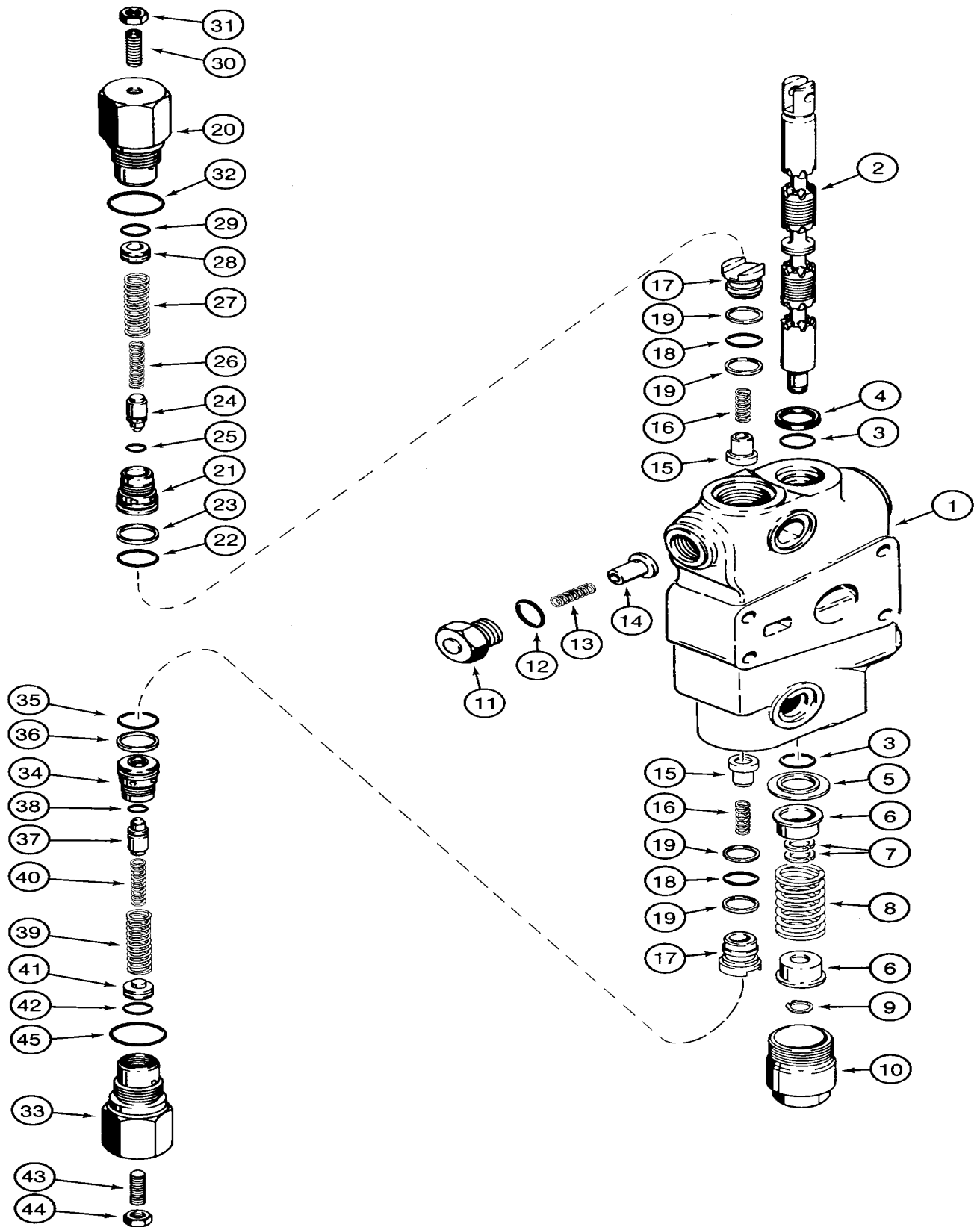
580SLE CGG0160030-CGG0161813

BACKHOE CONTROL VALVE - BACKHOE BUCKET CYLINDER SECTION, 580SLE CGG0160030-

| REF FN | PART NUMBER | YR/SN | QTY DESCRIPTION |
|--------|-------------|-------|---|
| | 129864A4 | | 1 HYD VALVE SECTION Consists Of Ref. Numbers 1-28 |
| 1 | NSS | | 1 NOT SOLD SEPARAT |
| 2 | NSS | | 1 NOT SOLD SEPARAT |
| 3 | 1994608C1 | | 2 O-RING 0.737" ID x 0.943" OD x 0.103" |
| 4 | 65457C1 | | 1 SEAL 19.04mm ID x 25.5mm OD x 3.17mm Thk |
| 5 | G102711 | | 1 RETAINER COLLAR 19.3 mm ID x 32.97 mm OD |
| 6 | G33075 | | 2 RETAINER 12.2mm ID, 27.9mm OD |
| 7 | G106410 | | 2 SPACER |
| 8 | 1994596C1 | | 1 SPRING |
| 9 | 100-1647 | | 1 SNAP RING #47, Ext |
| 10 | G33080 | | 1 CAP |
| | 1346219C3 | | 2 VALVE, CHECK Consists Of Ref. Numbers 11-15 |
| 11 | 1343777C1 | | 1 VALVE POPPET 6.9mm ID x 17.5mm OD x 18.8mm L |
| 12 | 1346175C1 | | 1 SPRING Compression, 6.6mm OD x 21.93mm L |
| 13 | 1343708C1 | | 1 PLUG 11,7mm Dia x 22mm L |
| 14 | 238-6016 | | 1 O-RING 0.07" Thk x 0.614" ID, -16, CI 6, 90 Duro |
| 15 | G103862 | | 2 BACK-UP RING 15.77mm ID x 18.67mm OD x 1.32mm Thk |
| | G110077 | | 2 KIT Consists Of Ref. Numbers 16-28 |
| 16 | NSS | | 1 NOT SOLD SEPARAT |
| 17 | NSS | | 1 NOT SOLD SEPARAT |
| 18 | 238-6018 | | 1 O-RING 0.07" Thk x 0.739" ID, -18, CI 6, 90 Duro |
| 19 | G35540 | | 1 BACK-UP RING 19.43mm ID x 22.23mm OD x 1.32mm Thk |
| 20 | NSS | | 1 NOT SOLD SEPARAT |

580SLE-CASE LOADER BACKHOE (S/N CGG0160030 & AFTER)

BACKHOE CONTROL VALVE - BACKHOE BOOM CYLINDER SECTION, 580SLE CGG0160030-CGG0161813

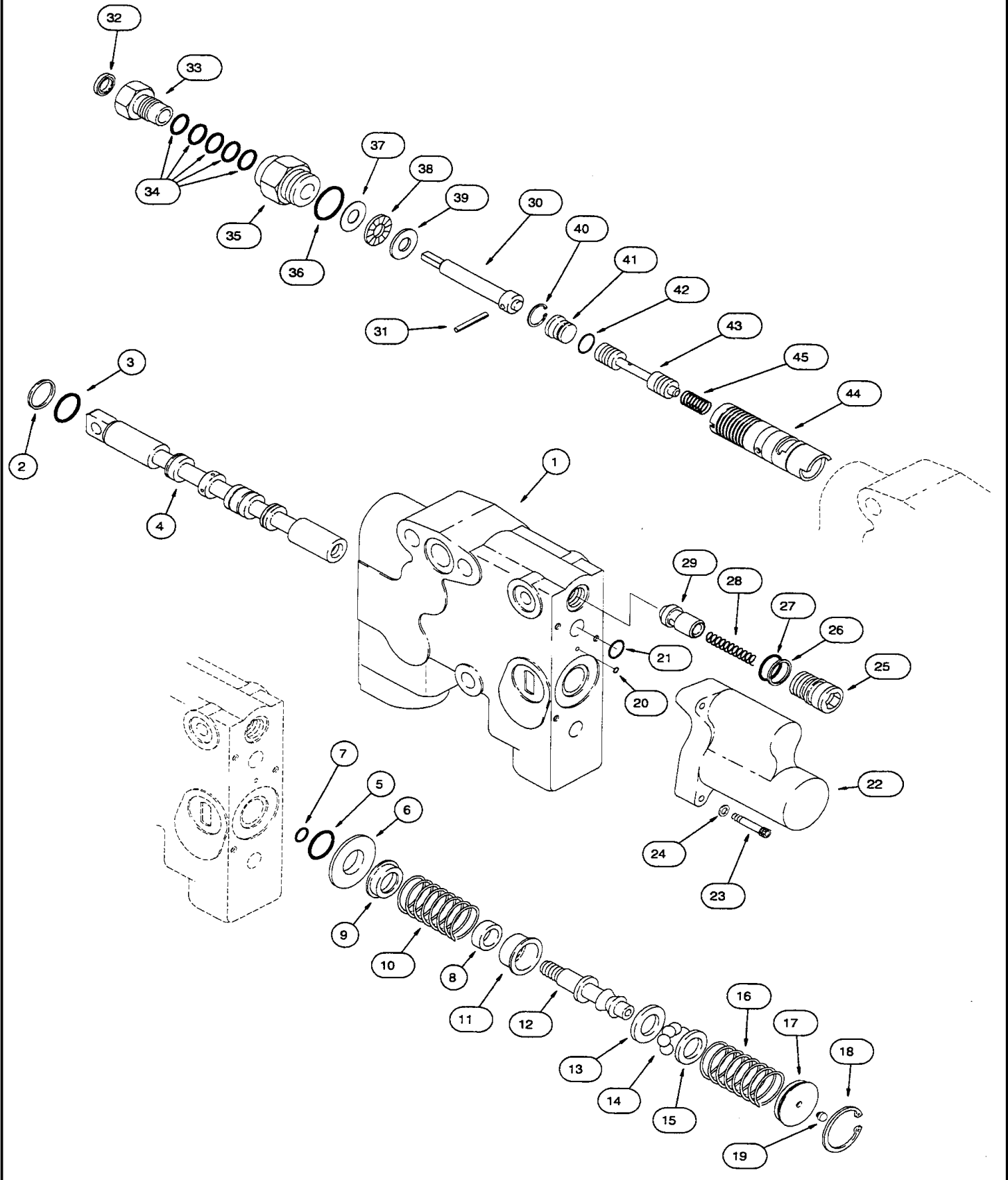


BACKHOE CONTROL VALVE - ATTACHMENT SWING CYLINDER SECTION, 580SLE CGG0161814-

| REF FN | PART NUMBER | YR/SN | QTY DESCRIPTION |
|--------|-------------|-------|--|
| 28 | NSS | | 1 NOT SOLD SEPARAT |
| 29 | NSS | | 1 NOT SOLD SEPARAT |
| 30 | 484-43116 | | 1 SET SCREW Hex Soc, 5/16"-24 x 1" |
| 31 | 425-155 | | 1 JAM NUT Jam, 5/16"-24, G5 |
| 32 | 237-6012 | | 1 O-RING 0.116" Thk x 0.924" ID, -912, CI 6, 90 Duro |
| | 1346219C3 | | 2 VALVE, CHECK Consists Of Ref. Numbers 33-37 |
| 33 | 1343777C1 | | 1 VALVE POPPET 6.9mm ID x 17.5mm OD x 18.8mm L |
| 34 | 1346175C1 | | 1 SPRING Compression, 6.6mm OD x 21.93mm L |
| 35 | 1343708C1 | | 1 PLUG 11,7mm Dia x 22mm L |
| 36 | 238-6016 | | 1 O-RING 0.07" Thk x 0.614" ID, -16, CI 6, 90 Duro |
| 37 | G103862 | | 2 BACK-UP RING 15.77mm ID x 18.67mm OD x 1.32mm Thk |
| 38 | G109971 | | 1 SPRING |
| 39 | 1978068C1 | | 1 VALVE POPPET |
| | 1346105C2 | | 1 SEAL KIT Consists Of Ref. Numbers 3, 4, 12, 22, 23, 32, 36, 37 |
| 40 | G109964 | | 1 HOUSING |
| 41 | G108723 | | 1 RING 14.34mm ID x 16.94mm OD x 1.32mm Thk |
| 42 | 237-6010 | | 1 O-RING 0.097" Thk x 0.755" ID, -910, CI 6, 90 Duro |

580SLE-CASE LOADER BACKHOE (S/N CGG0160030 & AFTER)

AUXILIARY HANDHELD HYDRAULIC VALVE - TOOL SECTION, 580SLE CGG0160030-



LOADER ARM CYLINDER - 580SLE CGG0160030-

| REF FN | PART NUMBER | YR/SN | QTY DESCRIPTION |
|--------|-------------|-------|---|
| 1 | 133936A1 | | 1 CYLINDER ASSY. Double Acting, 44.4mm Rod, 766mm Stroke 89x766mm, Consists Of Ref. Numbers 2-19 |
| 2 | 133937A1 | | 1 TUBE Consists Of Ref. Number 3 |
| 3 | 1980335C1 | | 2 BUSHING 50.19mm ID x 60mm OD x 19mm L |
| 4 | 1971707C1 | | 1 CYLINDER END CAP |
| 5 | D95143 | | 1 WIPER SEAL 44.42mm ID x 57.17mm OD x 7.92mm Thk |
| 6 | G102425 | | 1 BUSHING 44.45mm ID x 47.45mm OD x 25.1mm Thk |
| 7 | NSS | | 1 NOT SOLD SEPARAT |
| 8 | NSS | | 1 NOT SOLD SEPARAT |
| 9 | 238-5235 | | 1 O-RING 0.139" Thk x 3.109" ID, -235, CI 5, 75 Duro |
| 10 | D38858 | | 1 BACK-UP RING 82.17mm ID x 88.27mm OD x 1.4mm Thk |
| 11 | 276-2446 | | 1 SELF-TAP SCREW Hex Hd, #8 x 3/8" |
| 12 | 133083A1 | | 1 PISTON ROD 44.5mm OD 44mm |
| 13 | 135259A1 | | 1 PISTON |
| 14 | G102286 | | 1 SEAL Locking, 85.47mm ID x 90.19mm OD x 6.96mm Thk |
| 15 | G100710 | | 1 RING Square, 5.28mm Thk x 75.31mm ID |
| 16 | G100711 | | 1 SEAL Split, 82.55mm ID x 88.9mm OD x 9.52mm Thk |
| 17 | 25974R1 | | 1 BOLT Hex, 1" - 14 x 2 1/2", Gr 8 |
| 18 | G32303 | | 1 WASHER 26.97mm ID x 47.63mm OD x 3.58mm Thk |
| 19 | 219-1 | | 1 LUBE NIPPLE 1/8" - 27 NPTF |
| | 1543266C1 | | 1 SEAL KIT Consists Of Ref. Numbers 5-10, 14, 15, 16 |

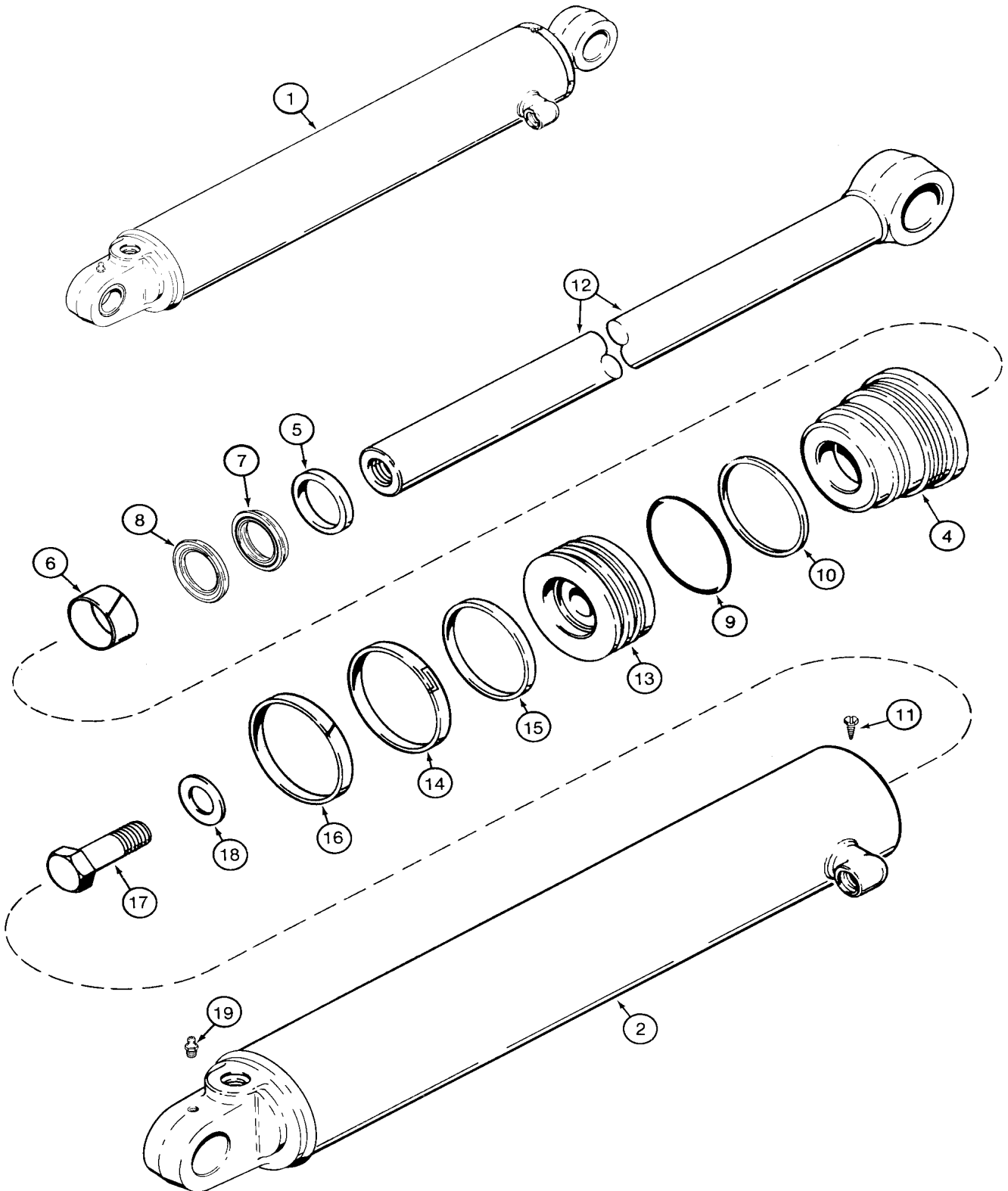
580SLE-CASE LOADER BACKHOE (S/N CGG0160030 & AFTER)

08-297

p1

11/201
9

STABILIZER CYLINDER, LEFT - AXIAL VERSION - 580SLE CGG0160030-



ATTACHMENT SWING CYLINDER - BACKHOE ATTACHMENT- LEFT - SIDESHIFT VERSION,.

| REF FN | PART NUMBER | YR/SN | QTY DESCRIPTION |
|--------|-------------|-------|--|
| | 177511A1 | | CYLINDER ASSY. 114x190mm, Consists Of Ref. Numbers 1-20 |
| 1 | G110252 | | 1 PISTON |
| 2 | G101994 | | 1 SEAL RECTANGULAR, 111.02mm ID x 115.75mm OD x 6.96mm Thk |
| 3 | G101995 | | 1 SEALING RING Square, 5.28mm Thk x 100.71mm ID SEALRING |
| 4 | G101996 | | 1 WEAR RING 4.5" OD x 0.75" Thk |
| 5 | 1986789C2 | | 1 HYD TUBE Consists Of Ref. Number 6 |
| 6 | 1986794C1 | | 2 BUSHING 79.9mm ID x 100mm OD x 20.7mm L |
| 7 | 177512A1 | | 1 PISTON ROD Consists Of Ref. Number 8 |
| 8 | G108310 | | 2 BUSHING |
| 9 | 1978119C1 | | 1 BEARING |
| 10 | G104989 | | 1 WASHER 34.29mm ID x 60.3mm OD x 4.78mm Thk |
| 11 | 28-2048 | | 1 BOLT Hex, 1-1/4" - 12 x 3", Gr 8 |
| 12 | 353-779 | | 2 PLUG Sltd Hd, 3/4"-16, Yellow, Plastic, w/O-Ring |
| 13 | 219-1 | | 1 LUBE NIPPLE 1/8" - 27 NPTF |
| 14 | 86642312 | | 1 SELF-TAP SCREW Hex, #8 - 32 x 3/8" |
| 15 | 238-5243 | | 1 O-RING 0.139" Thk x 4.11" ID, -243, Cl 5, 75 Duro |
| 16 | G109300 | | 1 RING 113.46mm ID x 118.97mm OD x 1.17mm Thk |
| 17 | G102426 | | 1 BUSHING 57.15mm ID x 60.22mm OD x 37.85mm L |
| 18 | NSS | | 1 NOT SOLD SEPARAT |
| 19 | NSS | | 1 NOT SOLD SEPARAT |
| 20 | D95145 | | 1 WIPER SEAL 54.79mm ID x 70.09mm OD x 7.91mm W |
| | 1543279C1 | | 1 SEAL KIT Consists Of Ref. Numbers 2, 3, 4, 15-20 |

580SLE-CASE LOADER BACKHOE (S/N CGG0160030 & AFTER)

SECTION INDEX

CHASSIS

| | |
|--------|---|
| 09-259 | CAB AIR CONDITIONING - AIR CIRCUIT, 580SLE CGG0160030-CGG0166288, CGG0166290-CGG0166315 |
| 09-265 | CAB AIR CONDITIONING - COMPRESSOR MOUNTING, 580SLE CGG0160030-CGG0166288, CGG0166290-CGG0166315 |

LOADER ATTACHMENT CONTROL LEVER, 580SLE CGG0160030-CGG0166288, CGG0166290-CGG0166315

| REF FN | PART NUMBER | YR/SN | QTY DESCRIPTION |
|--------|-------------|-------|--|
| | 239366A1 | | 1 ASSEMBLY Replaces 113295A1, 197506A1, Consists Of Ref. Numbers 1-20, 22-31, 35, 36 |
| 1 | 120531A1 | | 1 HANDLE |
| 2 | 123815A1 | | 1 LATCH |
| 3 | 170-104 | | 2 SCREW SI Pan Hd, #5 - 40 x 3/8" No. 5 x 3/8 |
| 4 | 129914A1 | | 2 SPRING |
| 5 | 225-14105 | | 2 NUT #5-40 |
| 6 | 439-5436 | | 1 HEADED PIN 1/4" x 2 1/4", G5 |
| 7 | 143210A1 | | 1 BLANK-OFF PLUG |
| 8 | 124243A1 | | 1 SPRING |
| 9 | 123493A1 | | 1 SUPPORT |
| 10 | 413-632 | | 1 BOLT Hex, 3/8" - 16 x 2", Gr 5 |
| 11 | 495-21044 | | 2 WASHER 3/8" (7/16 x 1 x 5/64) |
| 12 | 108088A1 | | 2 BUSHING 15.96mm ID x 19.15mm OD x 15mm L |
| 13 | 133989A1 | | 1 SLEEVE |
| 14 | 239306A1 | | 1 THREADED ROD Replaces 197049A1 |
| 15 | 103-1437 | | 1 SNAP RING #37, Ext |
| 16 | 614-6016 | | 3 BOLT Hex, M6 x 1 x 16mm, Cl 8.8, Full Thd |
| 17 | 495-11028 | | 3 WASHER 1/4", SAE (9/32 x 5/8 x 1/16") |
| 17A | 515-2295 | | 1 CLAMP 3/8", Insul, 5/16" Bolt 3/8 |
| 18 | 133617A1 | | 1 BOOT |
| 19 | 195615A1 | | 1 SUPPORT |
| 20 | 176311A1 | | 1 BELLCRANK Consists Of Ref. Number 21 |
| 21 | 108088A1 | | 2 BUSHING 15.96mm ID x 19.15mm OD x 15mm L |
| 22 | 495-81184 | | 1 WASHER 21/32" x 1 1/2" x .030" |
| 23 | 102761A1 | | 2 PIN 15.91mm OD x 35mm L |
| 24 | 432-828 | | 2 COTTER PIN 1/8" x 1 3/4" |

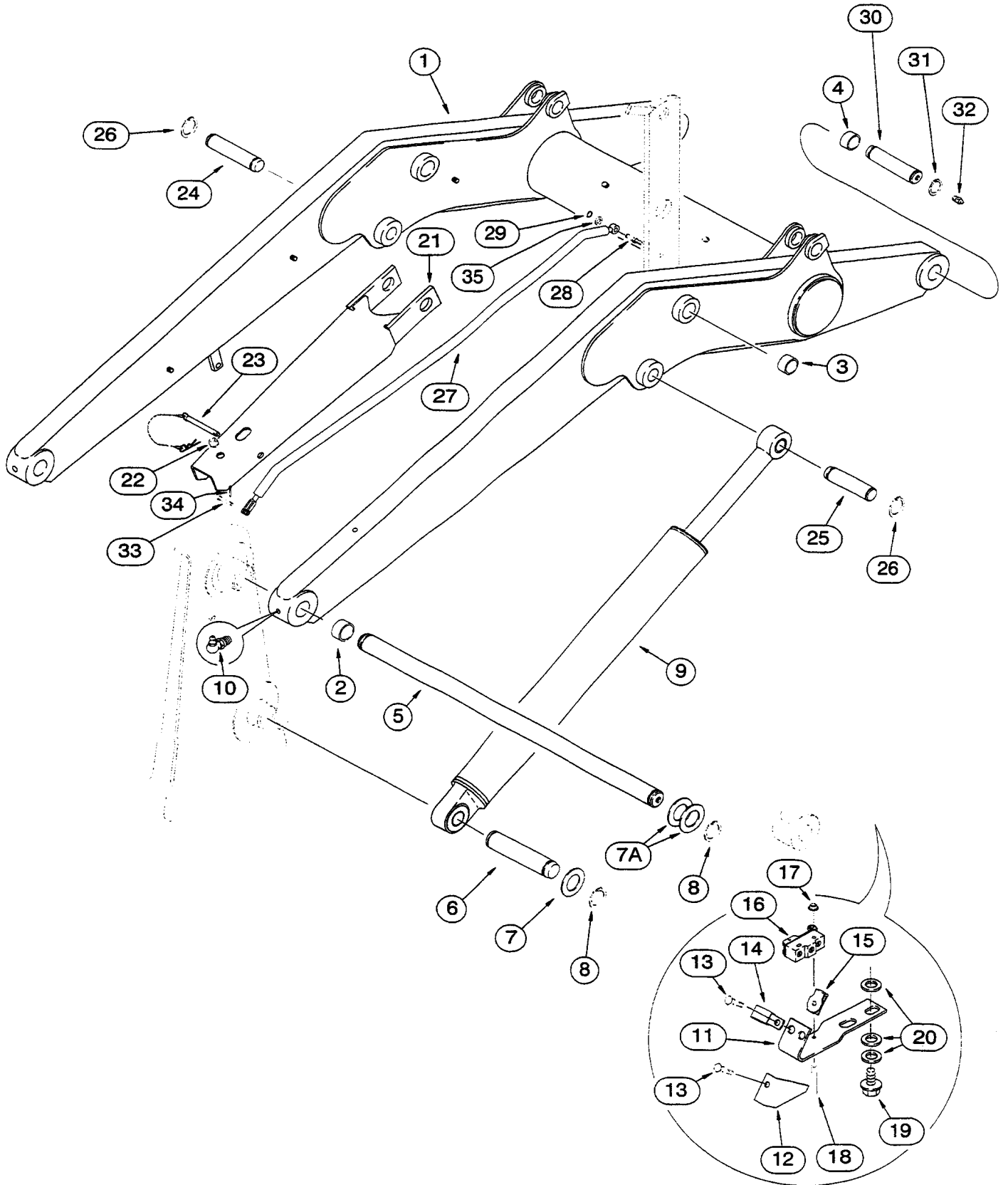
580SLE-CASE LOADER BACKHOE (S/N CGG0160030 & AFTER)

09-013

p2

11/201
9

LOADER ARM - 580SLE CCG0160030-



09-029

p1

11/201
9

TOOTH GUARD - LOADER BUCKET - 580SLE CGG0160030-

| REF FN | PART NUMBER | YR/SN | QTY DESCRIPTION |
|--------|-------------|-------|-----------------|
| 1 | 307184A1 | | 1 PROTECTOR |
| 2 | 371025A1 | | 2 SPRING |

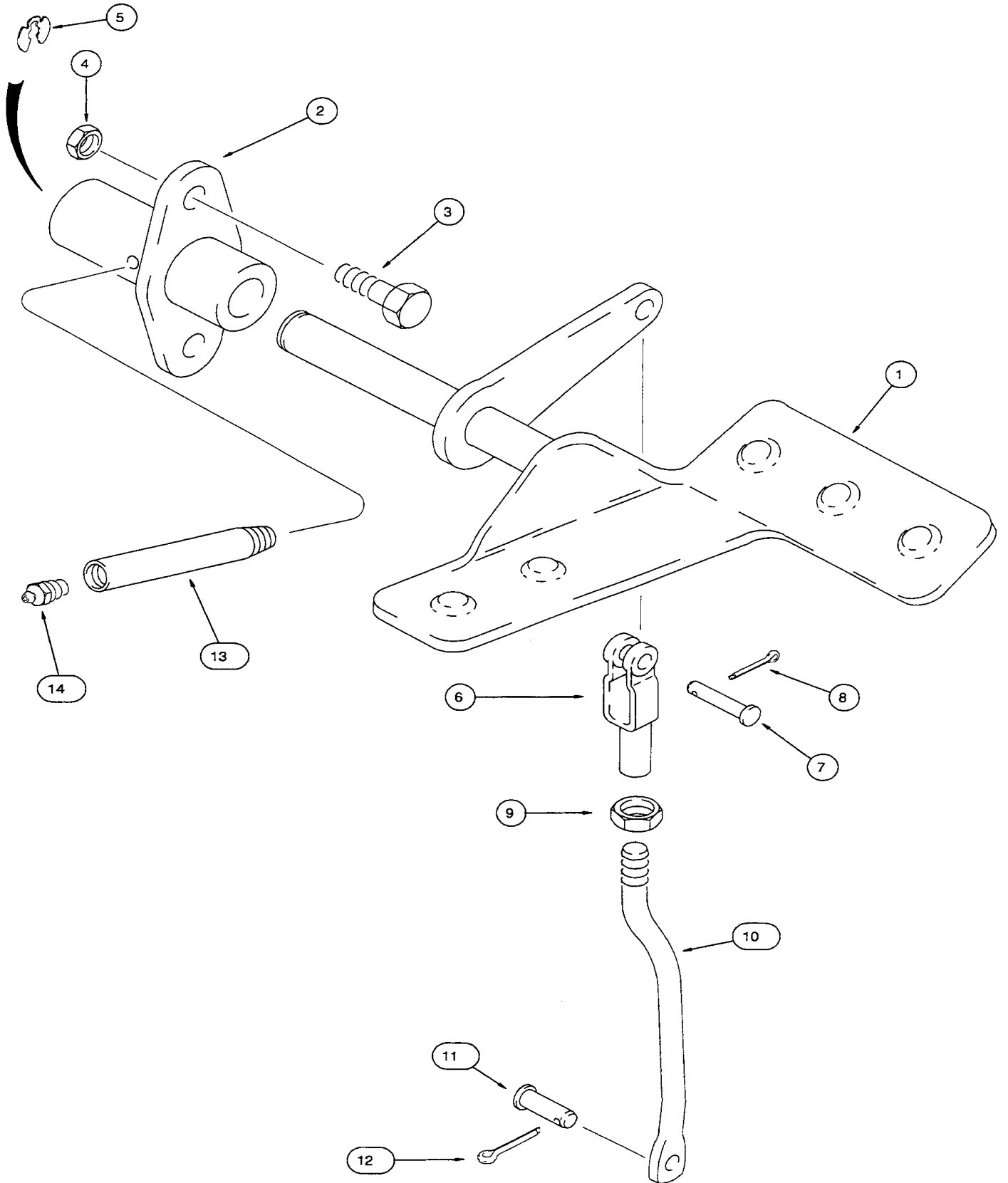
580SLE-CASE LOADER BACKHOE (S/N CGG0160030 & AFTER)

09-045

p1

11/201
9

TELESCOPIC DIPPER FOOT CONTROL, 580SLE CGG0160030-

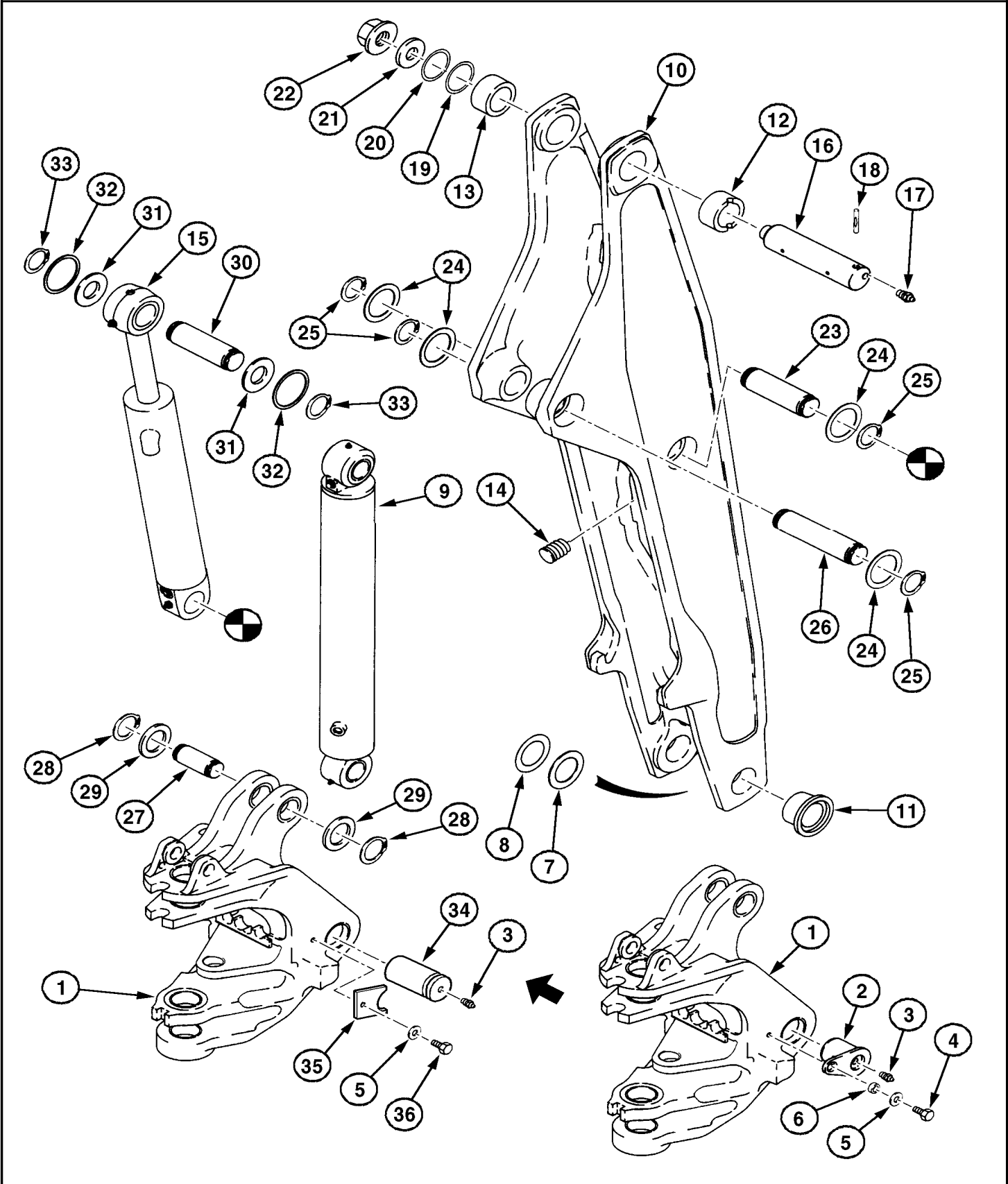


CARRIAGE - SIDESHIFT VERSION, 580SLE CGG0160030-

| REF FN | PART NUMBER | YR/SN | QTY DESCRIPTION |
|--------|-------------|-------|--|
| | 234218A1 | | 1 FRAME Consists Of Ref. Numbers 1, 2, 3 |
| 1 | NSS | | 1 NOT SOLD SEPARAT |
| 2 | 137250A1 | | 2 BUSHING 70.19mm ID x 90mm OD x 50mm L |
| 3 | D147280 | | 2 BUSHING 100.35mm ID x 120mm OD x 25mm L |
| | 231808A1 | | 4 CYLINDER ASSY. Consists Of Ref. Numbers 4-7, 7A, 8 |
| | 227908A1 | | 4 PISTON Consists Of Ref. Numbers 4-7, 7A |
| 4 | NSS | | 1 NOT SOLD SEPARAT |
| 5 | G100449 | | 2 WEAR RING Split, 69.85mm ID x 76.2mm OD x 9.52mm Thk |
| 6 | G100443 | | 1 SEAL 67.9mm ID x 77.1mm OD x 6.8mm Thk |
| 7 | G100444 | | 1 SEALING RING Square, 5.28mm Thk x 62.61mm ID |
| 7A | G109298 | | 1 RING 69.47mm ID x 75.57mm OD x 1.4mm Thk |
| 8 | 231808A1 | | 1 CYLINDER ASSY. |
| 9 | 896-11016 | | 8 WASHER 17.5mm ID x 30mm OD x 4mm Thk |
| 10 | 827-16060 | | 8 BOLT Hex, M16 x 2 x 60mm, CI 10.9 |
| | 239110A1 | | 1 LARGE PLATE PLATE, LARGE , Consists Of Ref. Numbers 11, 12 |
| 11 | NSS | | 1 NOT SOLD SEPARAT |
| 12 | 101907A1 | | 2 BUSHING 100.35mm ID x 120mm OD x 20mm L |
| 13 | 827-24140 | | 4 BOLT Hex, M24 x 3 x 140mm, CI 10.9 |
| 14 | 896-11024 | | 20 WASHER 26mm ID x 44mm OD x 5mm Thk (26 ID x 44 x 5 mm) |
| 15 | 829-1424 | | 10 NUT M24, CI 10 |
| 16 | 234950A2 | | 2 LARGE PLATE PLATE, LARGE |
| 17 | 827-24140 | | 6 BOLT Hex, M24 x 3 x 140mm, CI 10.9 |

580SLE-CASE LOADER BACKHOE (S/N CGG0160030 & AFTER)

BACKHOE BOOM, 580SLE CGG0160030-



TELESCOPIC DIPPER, 580SLE CGG0160030-

| REF FN | PART NUMBER | YR/SN | QTY DESCRIPTION |
|--------|-------------|-------|--|
| 18 | NSS | | 1 NOT SOLD SEPARAT |
| 19 | D127168 | | 2 BUSHING 44.6mm ID x 57.15mm OD x 94mm L |
| | 281185A1 | | 1 COUPLING Consists Of Ref. Numbers 20, 21, 22 |
| 20 | NSS | | 1 NOT SOLD SEPARAT |
| 21 | D127167 | | 2 BUSHING 57.34mm ID x 70mm OD x 30mm L |
| 22 | 107124A1 | | 4 BUSHING 44.75mm ID x 57.15mm OD x 29mm L |
| 24 | D133865 | | 4 PLUG 45mm OD x 15mm L |
| 25 | REF | | 1 INSTRUCTION Circuit, Hydraulic, See Figures 08-131- 08-137 |
| 26 | 175815A1 | | 1 PIN |
| 27 | 800-44040 | | 2 SNAP RING M40, Ext |
| 28 | D140247 | | 1 LOCK PIN 25.4mm OD x 232.6mm L |
| 29 | A33509 | | 1 PIN 11.18mm OD |
| 30 | 242562A1 | | 2 LINK ASSY. Consists Of Ref. Number 31 |
| 31 | D149079 | | 2 BUSHING 50.19mm ID x 60mm OD x 34mm L |
| 32 | 242561A1 | | 1 PITMAN Consists Of Ref. Numbers 33, 34 |
| 33 | 107124A1 | | 2 BUSHING 44.75mm ID x 57.15mm OD x 29mm L |
| 34 | D138047 | | 2 BUSHING 50.22mm ID x 60mm OD x 54mm L |
| 35 | 219-1 | | 1 LUBE NIPPLE 1/8" - 27 NPTF |
| 37 | D141142 | | 2 PIN 50mm OD x 306mm L |
| 38 | 495-81282 | | 4 WASHER 2 1/16" x 3" x .109" |
| 39 | D141164 | | 4 SPACER 46mm ID x 76mm OD x 2.5mm Thk |
| 40 | 103-16175 | | 4 SNAP RING #175, Ext |
| 41 | 219-1 | | 5 LUBE NIPPLE 1/8" - 27 NPTF |

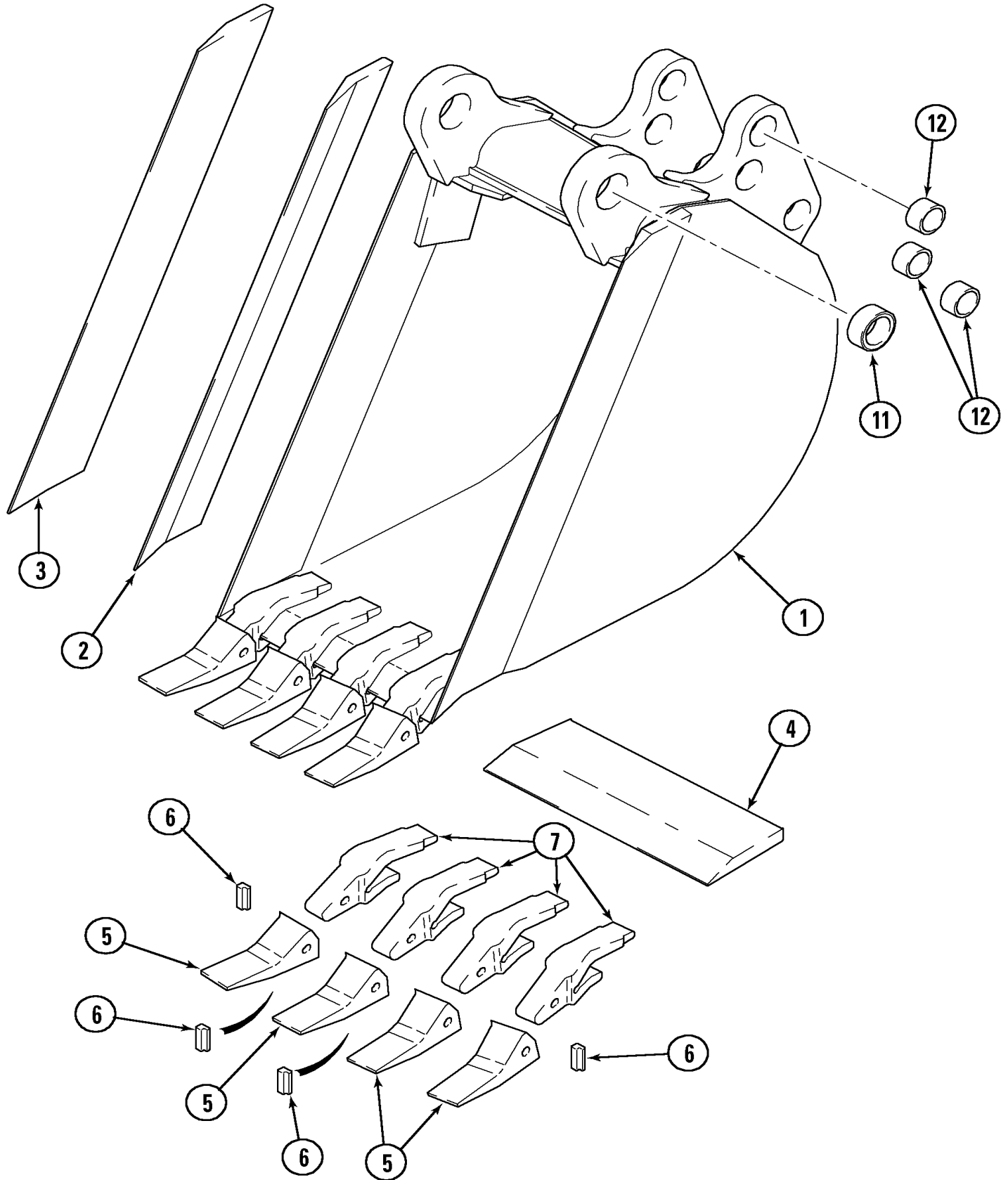
580SLE-CASE LOADER BACKHOE (S/N CGG0160030 & AFTER)

09-093

p1

11/201
9

GENERAL PURPOSE BUCKET - 0.610M



TRENCH BUCKET - WITH TEETH - 0.27M 0.30M, 580SLE CGG0160030-

| REF FN | PART NUMBER | YR/SN | QTY DESCRIPTION |
|--------|-------------|-------|---|
| | 278223A1 | | 1 BUCKET 0,27m, Consists Of Ref. Numbers 1-12 |
| | 254162A1 | | 1 BUCKET 0,30m, Consists Of Ref. Numbers 1-12 |
| 1 | NSS | | 1 NOT SOLD SEPARAT |
| 2 | D40243 | | 2 BUSHING 44.68mm ID x 57.15mm OD x 19.05mm L |
| 3 | D30933 | | 4 BUSHING 38.41mm ID x 47.63mm OD x 31.75mm L |
| | 251614A1 | | 1 ASSEMBLY Left, Consists Of Ref. Numbers 4, 5, 6 |
| 4 | 275699A1 | | 1 BUCKET TOOTH |
| 5 | 275701A1 | | 1 BUCKET TOOTH SHANK |
| 6 | 294220A1 | | 1 BUCKET TOOTH KEY |
| | 251615A1 | | 1 ASSEMBLY Intermediate, Consists Of Ref. Numbers 7, 8, 9 |
| 7 | 275699A1 | | 1 BUCKET TOOTH |
| 8 | 275700A1 | | 1 BUCKET TOOTH SHANK |
| 9 | 294220A1 | | 1 BUCKET TOOTH KEY |
| | 251614A1 | | 1 ASSEMBLY Right, Consists Of Ref. Numbers 10, 11, 12 |
| 10 | 275699A1 | | 1 BUCKET TOOTH |
| 11 | 275701A1 | | 1 BUCKET TOOTH SHANK |
| 12 | 294220A1 | | 1 BUCKET TOOTH KEY |

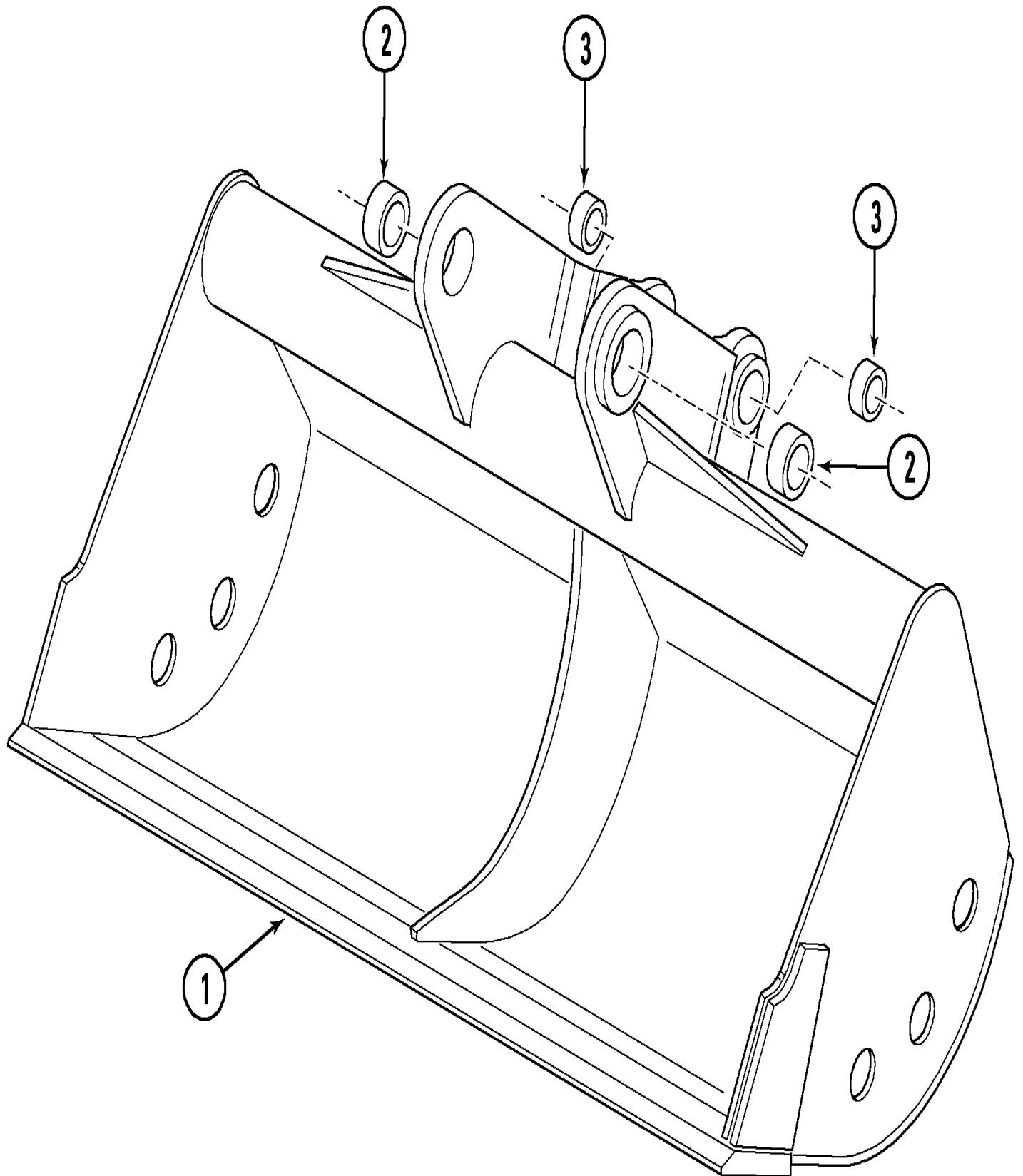
580SLE-CASE LOADER BACKHOE (S/N CGG0160030 & AFTER)

09-123

p1

11/201
9

DITCH CLEANING BUCKET (WITHOUT TEETH) - 1.20M 1.30M 1.40M 1.50M - 580SLE CGG0160030-

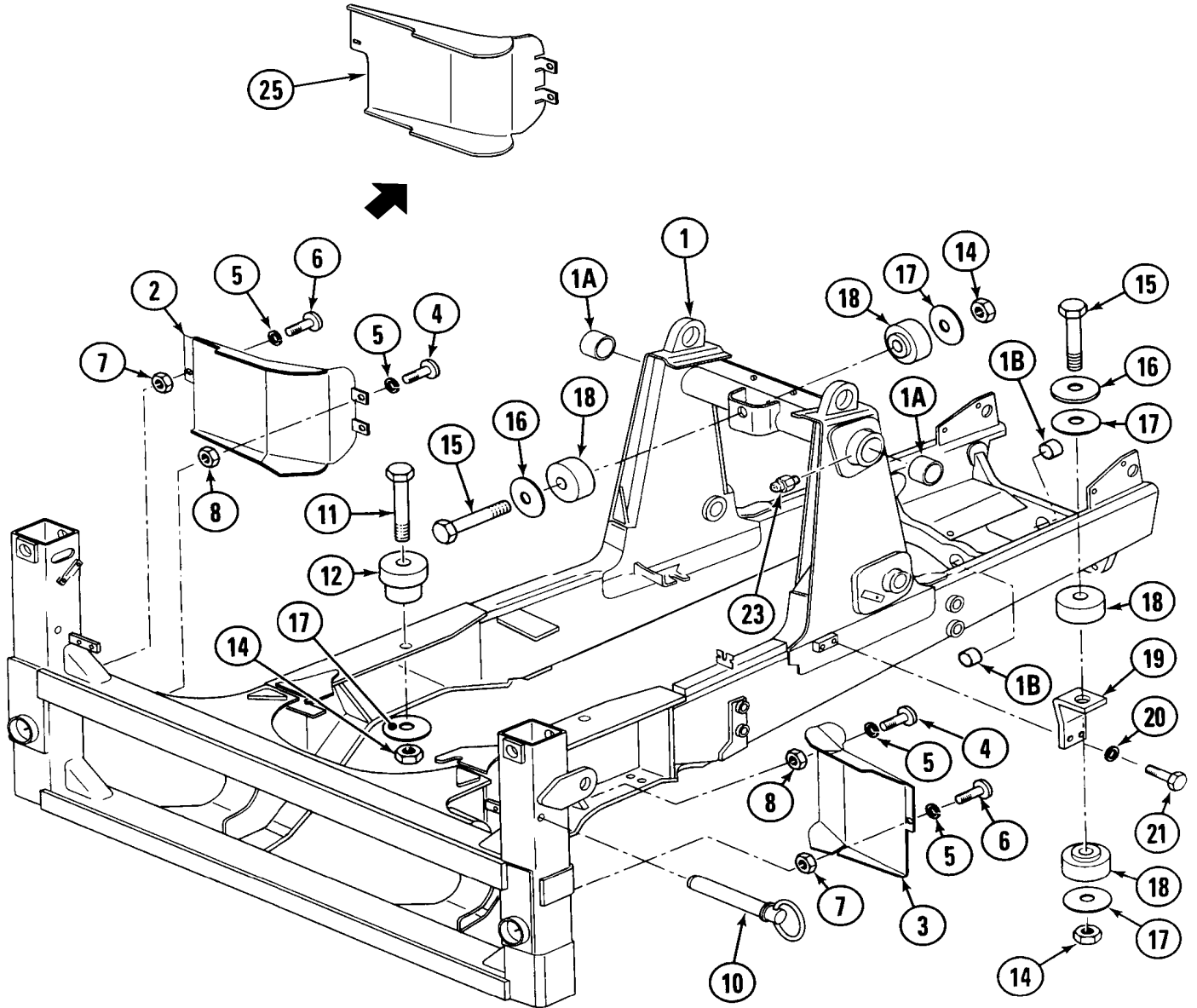


MECHANISM - HYDRAULIC ROCKBREAKER (CB620), 580SLE CGG0160030-

| REF FN | PART NUMBER | YR/SN | QTY DESCRIPTION |
|--------|-------------|-------|--|
| 33 | 349833A1 | | 6 O-RING dia 34 |
| 34 | 349834A1 | | 2 O-RING dia 20 |
| 35 | 863-16070 | | 4 HEX SOC SCREW M16 x 70mm, CI 12.9 |
| 36 | 864-16090 | | 12 HEX SOC SCREW M16 x 90mm, CI 8.8 M16 x 90; 12,9 |
| 37 | 349835A1 | | 4 WASHER |
| 38 | 837-8025 | | 2 DOWEL M8 x 25mm OAL |
| 39 | 219-14 | | 2 LUBE NIPPLE 1/8" |
| 40 | 349722A1 | | 16 LOCK WASHER M16 M16 |
| 100 | 349714A1 | | 1 ACCUMULATOR Consists Of Ref. Numbers 101-110 |
| 101 | 349715A1 | | 1 BODY |
| 102 | 349716A1 | | 1 COVER |
| 103 | 349717A1 | | 1 DIAPHRAGM |
| 104 | 349718A1 | | 1 O-RING dia 120 |
| 105 | 863-16070 | | 8 HEX SOC SCREW M16 x 70mm, CI 12.9 |
| 106 | 349719A1 | | 1 RING dia 9 |
| 107 | 349720A1 | | 1 PLUG |
| 108 | 349721A1 | | 1 PLUG |
| 109 | 349722A1 | | 8 LOCK WASHER M16 M16 |
| 110 | 349723A1 | | 1 O-RING dia 23 |
| 200 | 349724A1 | | 1 ACCUMULATOR Consists Of Ref. Numbers 201-210 |
| 201 | 349726A1 | | 1 BODY |
| 202 | 349727A1 | | 1 COVER |
| 203 | 349728A1 | | 1 DIAPHRAGM |
| 204 | 349729A1 | | 1 O-RING dia 85 |
| 205 | 864-16045 | | 4 HEX SOC SCREW M16 x 45mm, CI 8.8 M16 x 45; 12,9 |
| 206 | 349719A1 | | 1 RING dia 9 |
| 207 | 349720A1 | | 1 PLUG |
| 208 | 349721A1 | | 1 PLUG |

580SLE-CASE LOADER BACKHOE (S/N CGG0160030 & AFTER)

CHASSIS - SIDESHIFT VERSION, 580SLE CGG0164106-

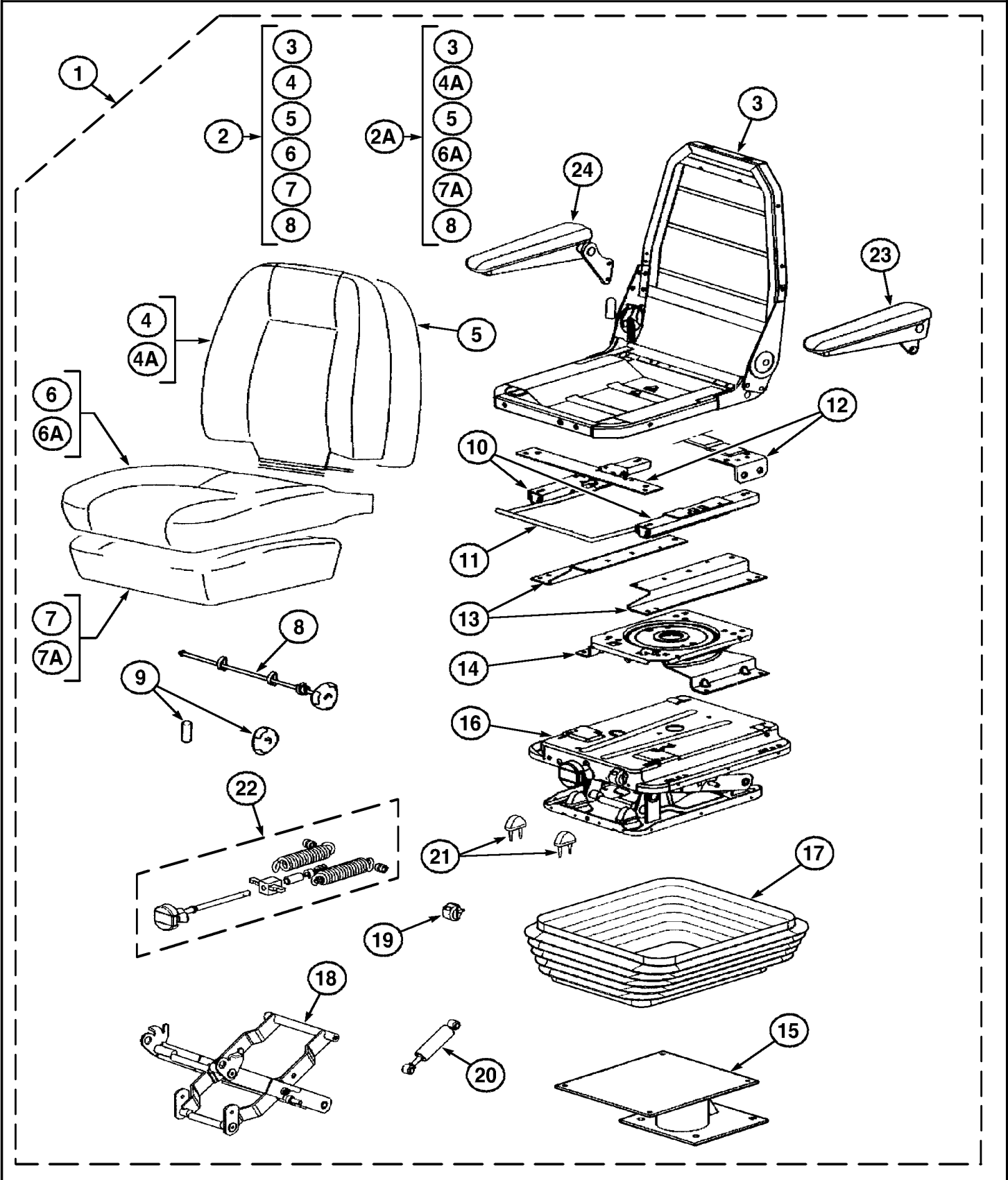


COWL - ENGINE - EMISSIONS CERTIFIED ENGINE, 580SLE CGG0160030-

| REF FN | PART NUMBER | YR/SN | QTY DESCRIPTION |
|--------|-------------|-------|--|
| 1 | 183517A2 | | 1 COWL |
| 2 | 229398A2 | | 1 SIEVE |
| 3 | 614-10025 | | 6 BOLT Hex, M10 x 1.5 x 25mm, CI 8.8 |
| 5 | 829-1410 | | 8 NUT M10 x 1.5, CI 10.9 |
| 7 | 139362A1 | | 2 BALL JOINT |
| 8 | 114980A1 | | 2 GAS STRUT |
| 9 | 139363A1 | | 2 BALL JOINT M10 x 1.5mm x 42mm L |
| 10 | F44883 | | 4 CLIP DIN 71805 - S10 |
| 11 | 231428A1 | | 1 SUPPORT |
| 12 | 440-11012 | | 2 SCREW Cross Pan Hd, #10-24 x 3/4" |
| 13 | 109879A1 | | 2 SPACER 5.5mm ID x 30mm OD |
| 14 | 185325A1 | | 4 SPACER 5.5mm ID x 30mm OD x 2mm L |
| 15 | 86625057 | | 2 NUT #10-24, GB |
| 16 | 614-10025 | | 4 BOLT Hex, M10 x 1.5 x 25mm, CI 8.8 |
| 18 | 121856A1 | | 8 BOLT Hex, M10 x 1.5 x 30mm, CI 10.9 M10 x 30 |
| 19 | 825-2410 | | 2 FLANGE NUT M10 x 1.5, Flg, CI 8 |
| 20 | 139502A1 | | 1 PROTECTOR Left |
| 21 | 244287A1 | | 1 PROTECTOR Left |
| 22 | 139500A1 | | 1 PROTECTOR Right |
| 23 | 244286A1 | | 1 PROTECTOR Right |
| 24 | 297836A1 | | 1 LARGE PLATE PLATE, LARGE , Right |
| 25 | 297837A1 | | 1 LARGE PLATE PLATE, LARGE , Left |
| 26 | 187389A1 | | 1 LARGE PLATE PLATE, LARGE |
| 27 | E46954 | | 2 SEAL |
| 29 | 255447A1 | | 8 THREADED INSERT |
| 30 | 229398A2 | | 1 SIEVE |
| 31 | 253889A1 | | 1 SCREEN |
| 32 | 895-15006 | | 8 WASHER 6.6mm ID x 25mm OD x 1.6mm Thk |

580SLE-CASE LOADER BACKHOE (S/N CGG0160030 & AFTER)

SEAT - VERSION : CAB SEATING, 580SLE CCG0160030-

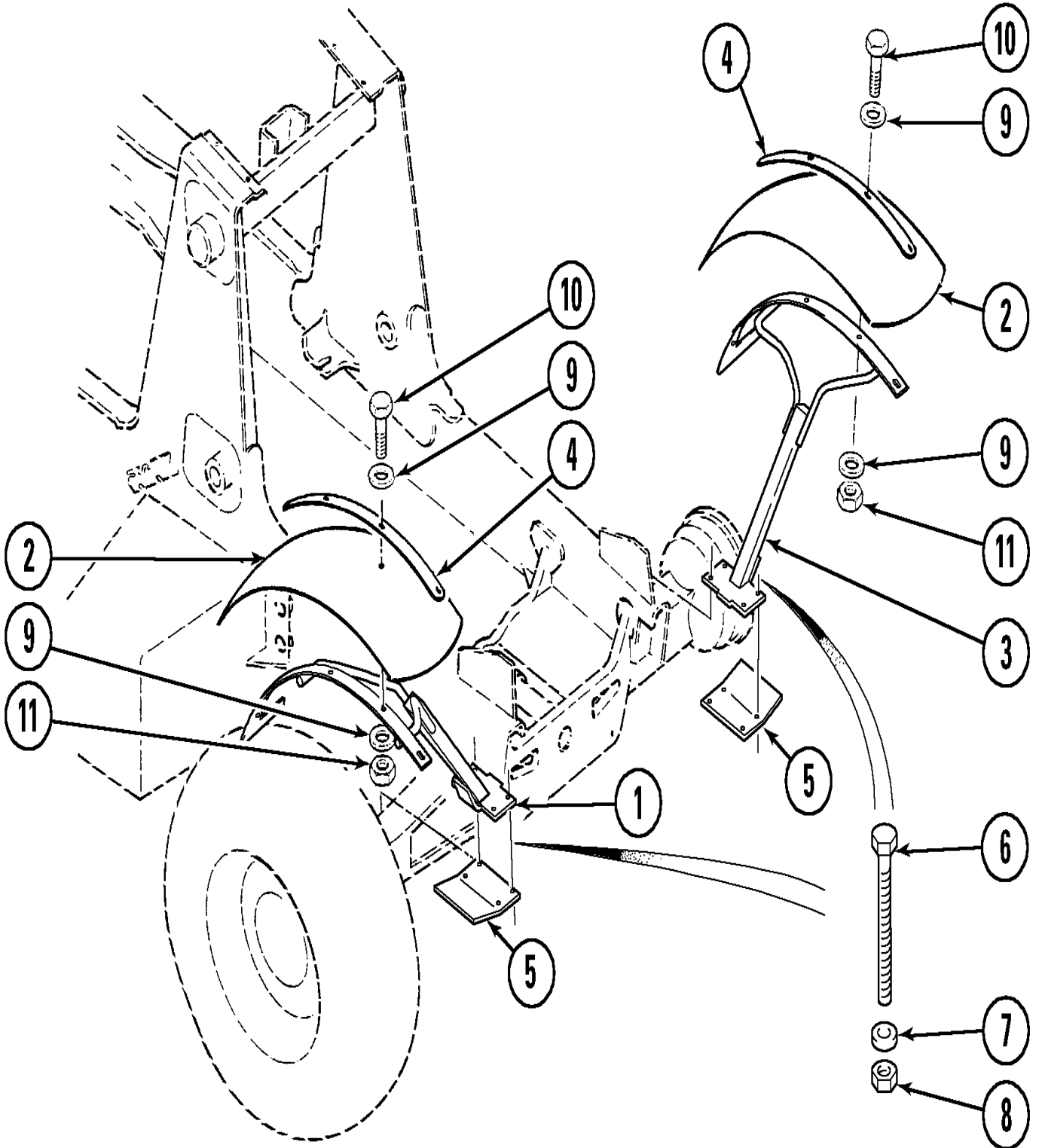


SEAT - BACKREST AND HEIGHT ADJUSTMENT - VERSION : ISRI, 580SLE CGG0160030-

| REF FN | PART NUMBER | YR/SN | QTY DESCRIPTION |
|--------|-------------|-------|--------------------|
| 25 | NSS | | 4 NOT SOLD SEPARAT |
| 26 | NSS | | 1 NOT SOLD SEPARAT |
| 27 | NSS | | 1 NOT SOLD SEPARAT |
| 28 | NSS | | 1 NOT SOLD SEPARAT |
| 29 | NSS | | 1 NOT SOLD SEPARAT |
| 30 | NSS | | 1 NOT SOLD SEPARAT |
| 31 | NSS | | 1 NOT SOLD SEPARAT |
| 32 | NSS | | 2 NOT SOLD SEPARAT |

580SLE-CASE LOADER BACKHOE (S/N CGG0160030 & AFTER)

FENDER - FRONT, 580SLE CGG0160030-CGG0162532

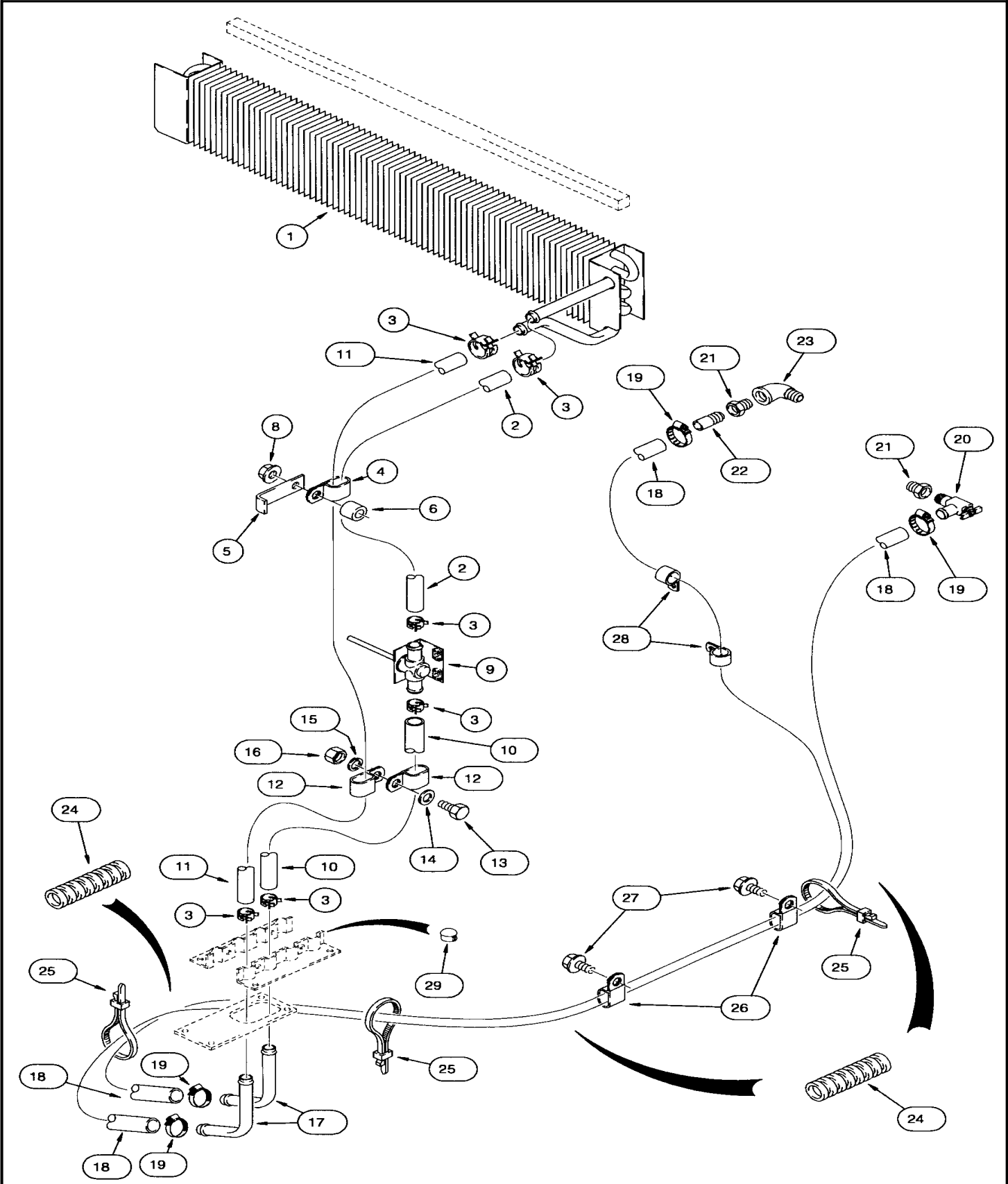


CAB DOOR, 580SLE CGG0160030-

| REF FN | PART NUMBER | YR/SN | QTY DESCRIPTION |
|--------|-------------|-------|---|
| 1 | 137868A3 | | 1 DOOR Consists Of Ref. Number 2, Left |
| 1 | 137869A3 | | 1 DOOR Consists Of Ref. Number 2, Right |
| 2 | R53562 | | 1 BRACKET |
| 3 | 97399C1 | | 2 HANDLE |
| 4 | 97398C1 | | 2 LOCK ASSY |
| 5 | 140-107 | | 4 SCREW Pan HD, #10 - 24 x 3/4" |
| 6 | F45165 | | 8 SPECIAL NUT #10-24 No. 10 |
| 7 | 142-104 | | 4 SCREW Oval HD, #10 - 24 x 1" |
| 8 | F64198 | | 4 BUMPER 4.98mm ID x 7.92mm OD x 10.21mm L |
| 9 | 195-81023 | | 8 WASHER 5.94mm ID x 14.28mm OD x 1.25mm Thk (1/4 x 9/16 x 3/64") |
| 10 | F44881 | | 2 CYLINDER ASSY. |
| 11 | 1340345C1 | | 2 BALL STUD BALL PIN |
| 12 | 131-176 | | 2 LOCK NUT Prev Torque, Hex, 5/16" - 18, Gr A |
| 13 | 108938A2 | | 1 PANEL Left |
| 13 | 108936A2 | | 1 PANEL Right |
| 14 | 260-16524 | | 4 SELF-TAP SCREW Phillips Drive, Pan HD, #10 - 16 x 1-1/2" |
| 15 | R53000 | | 4 GROMMET |
| 16 | 1958970C1 | | 2 HANDLE |
| 17 | 165-129 | | 8 HEX SOC SCREW Self-Lkg, 1/4" - 20 x 3/4" |
| 18 | 1971368C1 | | 4 PLATE ASSY. |
| 19 | 1977399C1 | | 2 SUPPORT ASSY. |
| 20 | 413-48 | | 4 BOLT Hex, 1/4" - 20 x 1/2", Gr 5 |
| 21 | 492-11025 | | 4 LOCK WASHER 1/4" |
| 22 | R54047 | | 4 PAD 30mm OD x 0.76mm Thk |
| 23 | 281069A1 | | 2 HANDLE |
| 24 | 281068A1 | | 2 HANDLE |
| 25 | 280336A1 | | 1 STEM Right |

580SLE-CASE LOADER BACKHOE (S/N CGG0160030 & AFTER)

HEATING CIRCUIT - CAB, 580SLE CCG0160030-



CAB AIR CONDITIONING - AIR CIRCUIT, 580SLE CGG0160030-

| REF FN | PART NUMBER | YR/SN | QTY DESCRIPTION |
|--------|-------------|-------|---|
| 23 | 123980A1 | | 2 SHIN |
| 24 | 181979A1 | | 2 SEALING STRIP |
| 25 | 845-6020 | | 6 BOLT Hvy Hex, M6 x 20mm, CI 8.8 |
| 26 | 833-40406 | | 4 NUT M6, U |
| 27 | 825-2406 | | 2 FLANGE NUT M6 x 1, CI 8.8 |
| 28 | 214-1412 | | 1 HOSE CLAMP #12, 0.69" - 1.25", Type F Worm |
| 29 | L18331 | | X CABLE TIE 375.9mm L, Nylon, Black CABLE STRAP |

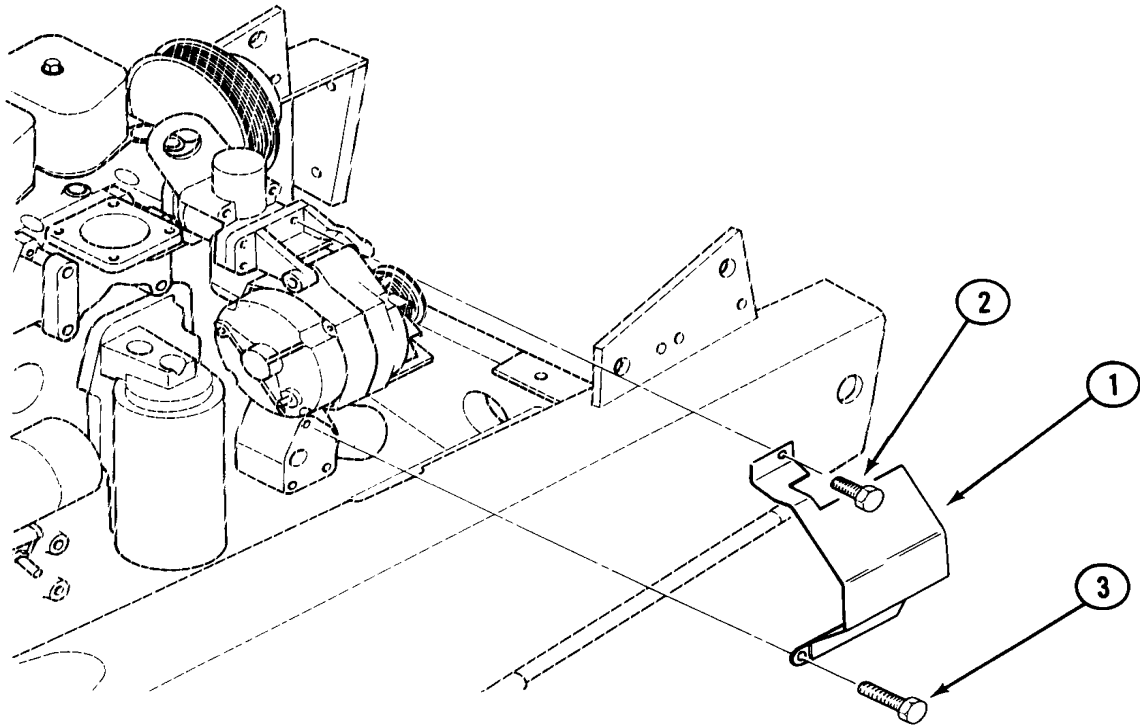
580SLE-CASE LOADER BACKHOE (S/N CGG0160030 & AFTER)

09-273

p1

11/201
9

ALTERNATEUR SHIELD, 580SLE CGG0160030-



09-287

p1

11/201
9

LOADER CONTROL VALVE SHIELD

| REF FN | PART NUMBER | YR/SN | QTY DESCRIPTION |
|---------------|--------------------|--------------|---|
| 1 | 228944A2 | | 1 PROTECTOR |
| 2 | 827-10040 | | 1 BOLT Hex, M10 x 1.5 x 40mm, Cl 10.9, Full Thd |
| 3 | 896-11010 | | 2 WASHER 11mm ID x 21mm OD x 2.5mm Thk |
| 4 | F44505 | | 1 SPACER |
| 5 | 614-10025 | | 1 BOLT Hex, M10 x 1.5 x 25mm, Cl 8.8 |

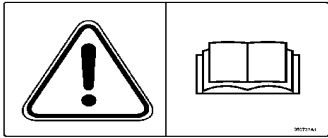
580SLE-CASE LOADER BACKHOE (S/N CGG0160030 & AFTER)

09-303

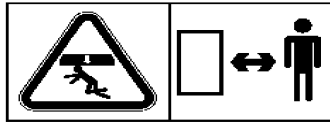
p1

11/2019

DECALS, 580SLE CGG0169677-



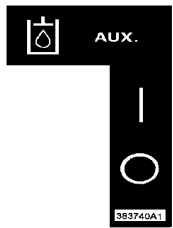
1



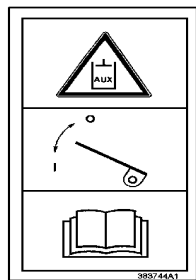
2



3



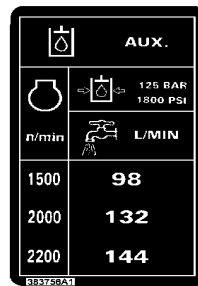
4



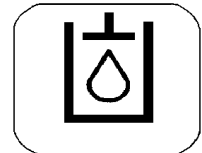
5



6



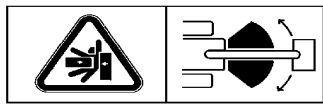
7



8



9



10



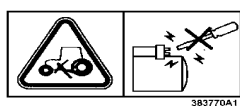
11



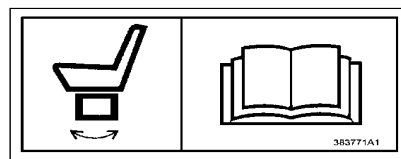
12



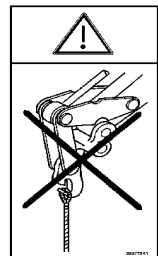
13



14



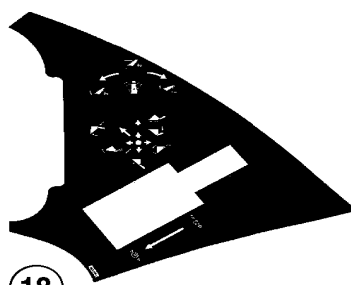
15



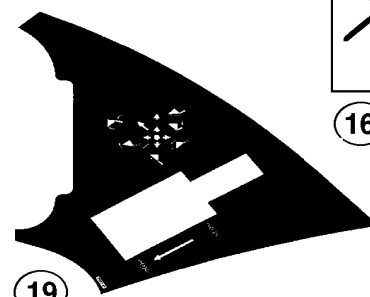
16



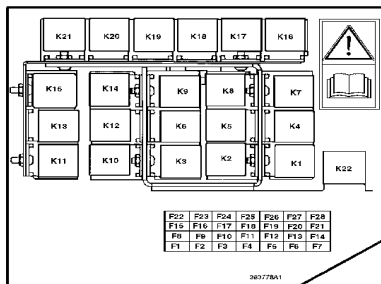
17



18



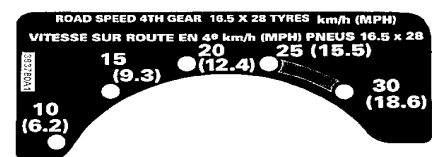
19



20



21



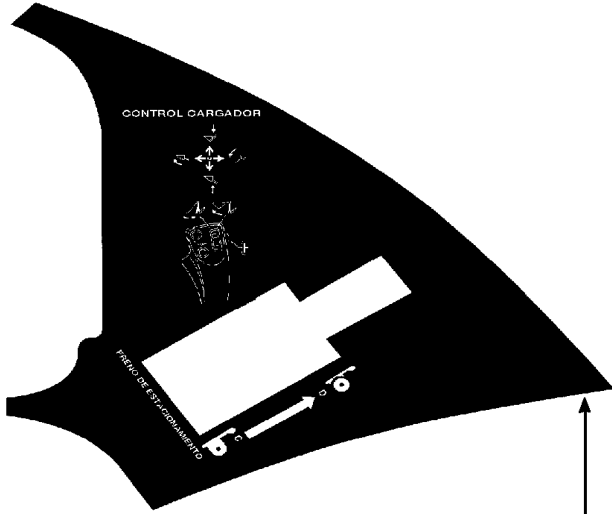
22

DECALS - FRENCH, 580SLE CGG0160030-CGG0169676

| REF FN | PART NUMBER | YR/SN | QTY DESCRIPTION |
|--------|-------------|-------|-------------------|
| 1 | { } | | 1 Decal, Not Used |
| 2 | 234102A1 | | 1 DECAL |
| 3 | 243492A1 | | 1 DECAL |
| 4 | 243503A1 | | 1 DECAL |
| 5 | 243514A1 | | 1 DECAL |
| 6 | 256464A1 | | 1 ADHESIVE |
| 7 | 256453A1 | | 1 ADHESIVE |

580SLE-CASE LOADER BACKHOE (S/N CGG0160030 & AFTER)

DECALS - SPANISH, 580SLE CGG0160030-CGG0169676



1

D A
INTERRUPTOR DE PIE
HID. AUX.

PRECAUCION

UTILIZAR A BAJAS REVOLUCIONES
 AJUSTAR EL CAUDAL CON
 EL ACELERADOR DE MANO

234105A1

2

ELEMENTOS AUXILIARES HIDRAULICOS

| MOTOR RPM | CAUDAL 125 BAR (1800 PSI) |
|--------------|------------------------------|
| | L/MIN |
| 1500 | 98 |
| 2000 | 132 |
| 2200 | 144 |

243495A1

3

BLOCAJE PARA EL CONTROL DEL INTERRUPTOR DE PIE

↑
N
 ↓

243506A1

4

ATENCION

ELEMENTOS AUXILIARES HIDRAULICOS

ANTES DE USAR LOS ELEMENTOS AUXILIARES HIDRAULICOS

- POWER LA PALANCA DE CAMBIOS EN NEUTRAL
- ACCIONAR EL FRENO APARCAMIENTO
- VOLTEAR LA CUCHARA DEL GARGADOR COMPLETAMENTE Y APOYARLA EN EL SUELO

PARA CONECTAR

- CONECTAR EL EQUIPO A LA VALVULA SELECTORA
- TIRAR DE LA PALANCA EN LA VALVULA SELECTORA
- CONECTAR EL INTERRUPTOR DEL IMPLEMENTO
- RECOGER LA CUCHARA DEL CARGADOR
- ACELERAR HASTA CONSEGUIR EL CAUDAL RECOMENDADO
- EL IMPLEMENTO ESTA LISTO PARA SU USO

PARA DESCONECTAR

- DESCONECTAR EL INTERRUPTOR DEL IMPLEMENTO
- PRESIONAR SOBRE LA PALANCA DEL DISTRIBUIDOR
- SOLTAR EL EQUIPO DE LA VALVULA SELECTORA

243817A1

5

ATENCION

NO META LAS VELOCIDADES DE DESPLAZAMIENTO SI LA MÁQUINA ESTÁ ELEVADA SOBRE LA CUCHARA. LA MÁQUINA PODRÍA CAER Y CAUSAR LESIONES O LA MUERTE.

256467A1

6

ATENCION

ACUMULADOR DE PRESIÓN EN EL SISTEMA HIDRÁULICO DEL CARGADOR

ALIVIE LA PRESIÓN HIDRÁULICO ANTES DE DESCONECTAR CONEXIONES HIDRÁULICAS. EL ACEITE HIDRÁULICO A PRESIÓN PODRÍA CAUSAR LESIONES.

- REMÉTASE AL MANUAL DE SERVICIO. PRECARGUE SOLO CON GAS INERTE SECO COMO NITRÓGENO DE ALTA PUREZA.
- REMÉTASE AL MANUAL DE SERVICIO. ALIVIE TODA LA PRESIÓN DEL GAS ANTES DE DESMONTAR EL ACUMULADOR.

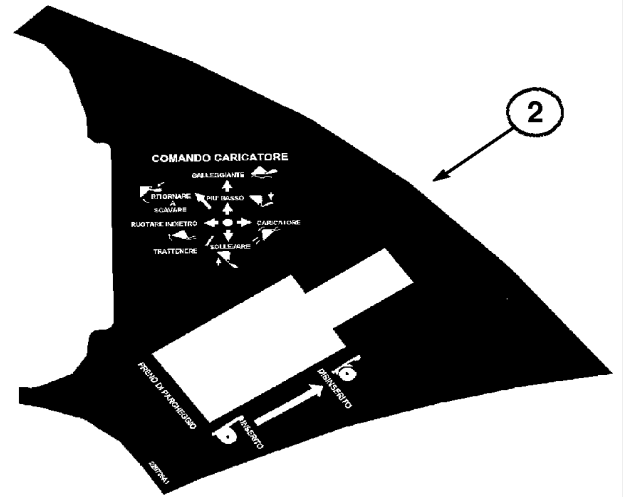
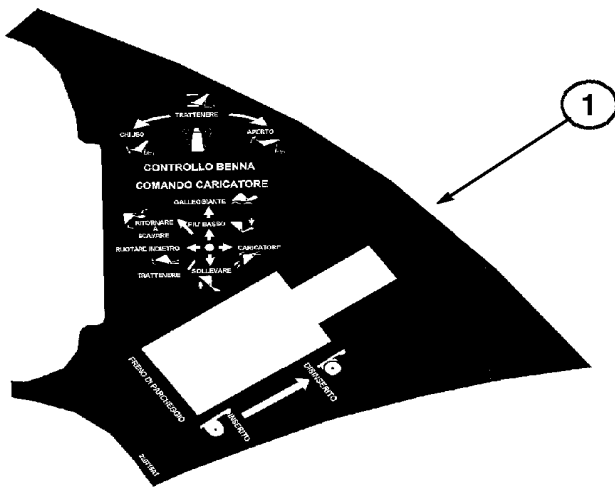
256456A1

7

DECALS - SWEDISH, 580SLE CGG0160030-CGG0169676

| REF FN | PART NUMBER | YR/SN | QTY DESCRIPTION |
|--------|-------------|-------|-------------------|
| 1 | 229716A1 | | 1 ADHESIVE |
| 2 | 229727A1 | | 1 ADHESIVE |
| 3 | 229738A1 | | 1 DECAL |
| 4 | 229750A1 | | 1 DECAL |
| 5 | 175688A1 | | 1 PRODUCT GRAPHIC |
| 6 | 230718A1 | | 1 DECAL |
| 7 | 229794A1 | | 1 DECAL |
| 8 | 321-6152 | | 1 DECAL |
| 9 | E49360 | | 1 DECAL |
| 10 | 321-6191 | | 2 DECAL |

580SLE-CASE LOADER BACKHOE (S/N CGG0160030 & AFTER)



IMPORTANTE

- Il manuale dell'operatore si trova qui sotto. Non esportarlo.
- Prima di iniziare il lavoro, leggete il manuale dell'operatore, i segnali di sicurezza e di prescrizione posti su questa macchina.
- E'vostra responsabilita rispettare le leggi e i regolamenti vigenti, e seguire tutte le istruzioni contenute nel manuale dell'operatore.
- Rivolgetevi al Distributore JI CASE per ottenere altre copie dei manuali dell'operatore, dei ricambi e di manutenzione.

227737A

ATTENZIONE

- Fare il giro della macchina e controllarla prima di iniziare il lavoro.
- Vestirsi adeguatamente. Non indossare abiti troppo larghi, braccialetti o collane.
- Far allontanare chiunque dall'area di lavoro. Prendere conoscenza della posizione di chi lavora nelle vicinanze.
- Assicurarsi che tutti i comandi siano in posizione neutra prima di avviare il motore.
- Mettervi in posizione corretta ed allacciarsi la cintura di sicurezza prima di iniziare il lavoro.
- Apprendere e impraticarsi nell'uso sicuro dei comandi. Operare solo essendo seduti al posto di guida.
- Non permettere ad alcuno di salire su qualunque parte della macchina.
- Inserire il pannello di collegamento dei pedali del freno per le marce in strada.
- Prendere conoscenza dell'area circostante, della posizione di persone, ostacoli e cavi aerei.
- Tenere il(i) coccia(i) e l'attrezzatura il piu vicino possibile al suolo. Su pendenze o terreno accidentato usare le marce basse e guidare lentamente.
- Abbassare l'altrezza al suolo o spostarla adeguatamente prima di lasciare la macchina.
- Parcheggiare su un terreno piano, serrare il freno di stazionamento, spegnere il motore e riportare la chiave di avviamento.
- Rivolgersi verso la macchina, usare le apposite maniglie e pedette, quando si accede o si scende o si scende dal posto di guida.
- L'UNCITA sul lato destro e secondaria, e va usata solo in caso di necessita.
- Assicurarsi che l'area di lavoro sia libera da ostacoli od oggetti abbandonati.
- Controllare strumenti, spia e cicalini prima e dopo l'avviamento del motore.

UN INCORRETA UTILIZZAZIONE DE QUESTA MACCHINA PUO CAUSARE FERITE O MORTE

2279A01

ATTENZIONE

E' vietato circolare o sostare nel raggio di azione della macchina

PRECAUZIONE

QUESTO E' UN SISTEMA DI TETTO ISOLATO. CONSULTATE IL VOSTRO DEALER PRIMA DI SALDARE IN CIMA ALLA CABINA.

227737A

CARBURANTE DIESEL

321-U151

ATTENZIONE

TENERSI LONTANO DA QUEST' AREA IL BRACCIO OSCILLANTE PUO' SCHIANTARSI. FAR FUNZIONARE L'ESCAVATORE SOLTANTO DAL SEDILE DELL' OPERATORE.

OGNI ALTRO MEZZO POTREBBE ESSERE CAUSA D'INFORTUNIO ALL' OPERATORE O AGLI ASTANTI.

321-4528

| AVVISATORE ACUSTICO | AVVIAMENTO A FREDDO | TRAIUCLA AUR. ATTREZZATURA FALCIATRICE | RELE DI BLOCCO NEUTRO ALLARME | RELE DI BLOCCO NEUTRO 2 | RELE DI BLOCCO NEUTRO 1 |
|---------------------------|----------------------------|--|--|--|-------------------------|
| INVERTIRE | IN AVANTI | LUCI POTERBORI | STARTER | | |
| RELE DISINNESTO FRIZIONE | RELE ALLARME | RELE FREIZIONE | RELE NEUTRO | | |
| RELE ARIA CONDIZIONATA | RELE POTENZA 3 | RELE POTENZA 2 | RELE POTENZA 1 | | |
| RELE | | | | | |
| LUCI DI LAVORO POSTERIORI | TERMOFUSILLI | A.L.F. LAMP. 610P. INDICAT. DIREZIONE | RETURNARE A SCARICARE | RADIO E CR | BRIVIO COMANDI |
| 20A | 15A | 15A | 10A | 10A | 10A |
| CONTROLLO AVVIO TRAM. 4RM | GRUPPO STRUMENTAZIONE | TRAIUCLA AUR. ATTREZZATURA FALCIATRICE | CODA SINISTRO LUCE D'INCANDID. ANTER. DESTRA | CODA DESTRO LUCE D'INCANDID. ANTER. SINISTRA | |
| 10A | 10A | 15A | 10A | 15A | |
| AVVIAMENTO A FREDDO | RADIO & CR | PEZZO DI RICAMBIO | VENTILATORE | LUCI DI LAVORO ANTERIORI | |
| 20A | 10A | 15A | 25A | 10A | |
| PANO ROTATIVO | INTERRUTTORE ILLUMINAZIONE | AVVISATORE ACUSTICO | PEZZO DI RICAMBIO | LUCI DI GUIDA | |
| 10A | 10A | 15A | 10A | 15A | |

FUSIBILI 22793A1

ATTENZIONE

VENTILATORE E CINGHIE. EVITATE OGNI CONTATTO. C'E RISCHIO DI DANNI. STATE DISTANTI.

09-377

p1

11/201
9

DECALS - FINNISH, 580SLE CGG0160030-CGG0169676

| REF FN | PART NUMBER | YR/SN | QTY DESCRIPTION |
|---------------|--------------------|--------------|------------------------|
| 1 | E49517 | | 1 DECAL |
| 2 | E49019 | | 1 DECAL |
| 3 | 176298A1 | | 1 DECAL |
| 4 | E49283 | | 1 DECAL |
| 5 | 229866A1 | | 1 DECAL |
| 6 | 229786A1 | | 1 DECAL |
| 7 | 230714A1 | | 1 DECAL |
| 8 | 230713A1 | | 1 ADHESIVE |

580SLE-CASE LOADER BACKHOE (S/N CGG0160030 & AFTER)

09-393

p1

11/2019

DECALS - NORWEGIAN, 580SLE CGG0160030-CGG0169676



ADVARSEL

VIKTIG

TIL MAKS VENSTRE ELLER HØYRE POSISJON.

PÅ GRUN AV MULIG SAMMENSTØT MED STØTTLABER ELLER TRAKTOR. FORSIKTIGHET MÅ UTVISES NÅR BOMMEN SVINGES

NETJEN BAKGRAVEREN KUN FRA SETE POSISJON.
TRANSPORT
MED SIDEFORSKYVELIG GRAVER: KJØR GRAVEREN HELT OVER TIL EN SIDE OG LIFT BOMMEN OPP OG INN I TRANSPORTTILLING (OVER SENTER). SVING GRAVEREN HELT INN TIL MASKINEN.
MED SENTERMONTERT GRAVER: LIFT BOMMEN OPP OG INN I TRANSPORTTILLING (OVER SENTER) MED GRAVEREN PEKENDE RETT BAKOVER

E49518

HYDRAULIKK
OLJE

ADVARSEL

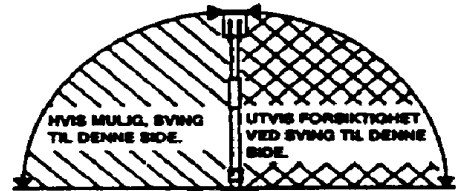
Instruks for sving av sete.
frigjer lås for skinne.beveg sete helt tilbake for å frigjere svinglås.

MS.252-3 E49284A



ADVARSEL

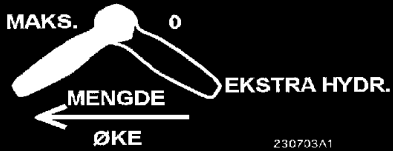
1. BRUK BAKGRAVEREN I SENTER POSISJON HVOR DETTE ER MULIG.
2. NÅR BAKGRAVEREN MÅ BRUKES I MAKS SIDESTILT POSISJON, FØLG FORSIKTIGHETSREGLENE SOM ER ILLUSTRERT UNDER.



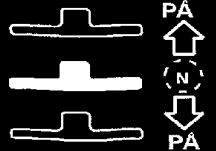
STØTT FREMRE DEL AV TRAKTOREN MED SKUFFEN.

3. HVIS BAKGRAVEREN ER BEVEGET TIL MOTSATT SIDE, BYTT OM INSTRUKSJONENE SOM STÅR I DET SKRAVERTE FELT VST ØVENFOR.

MERK: UTVIS FØRSIKTIGHET VED SVING MED LAST OG FULL REKKEVIDDE.



230703A1



230703A1

5

MÅ IKKE KJØRES

ARSAK _____

SIGNERT AV _____

IKKE KJERN DENNE MERKELAPP !

SE PÅ DEN ANDRE SIDEN

Ji Case Corporation

Case Part No. 22987A1 Printed in U.S.A.

EKSTRA HYDRAULIKK

6 → PÅ / AV

8 → EKSTRA HYDR.

MAKS 0 MENGDE ØKE

230702A1

INDEX - INDICE - INDEX - ZAHLENVERZEICHNIS - INDICE - INDICE - INDHOLD - INHOUD

| Number | Figure | Sequence Ref. | Number | Figure | Sequence Ref. |
|-----------|--------|---------------|-----------|--------|---------------|
| 103-16175 | 09-075 | 40 | 108938A2 | 09-229 | 13 |
| 103-16175 | 09-075 | 50 | 108963A1 | 09-223 | 6 |
| 103-16175 | 09-111 | 3 | 109131A1 | 09-039 | 4 |
| 103-16175 | 09-117 | 5 | 109132A1 | 09-039 | 5 |
| 103-16175 | 09-293 | 6 | 109239C2 | 09-243 | 20 |
| 103-16200 | 09-057 | 18 | 109268A1 | 09-013 | 4 |
| 103-1687 | 05-025 | 40 | 1094366R1 | 04-055 | 2 |
| 103-3350 | 09-013 | 29 | 1094366R1 | 04-075 | 7 |
| 103670A1 | 08-123 | 36 | 1094366R1 | 04-085 | 3 |
| 103670A1 | 08-127 | 36 | 109511A1 | 04-071 | 1 |
| 103670A1 | 08-175 | 35 | 109531A1 | 09-319 | 13 |
| 103670A1 | 08-181 | 35 | 109532A1 | 09-327 | 13 |
| 103670A1 | 08-185 | 2 | 109533A1 | 09-335 | 13 |
| 104540A1 | 09-033 | 12 | 109534A1 | 09-367 | 13 |
| 104541A1 | 09-033 | 13 | 109535A1 | 09-351 | 13 |
| 104824A1 | 09-013 | 23 | 109536A1 | 09-359 | 13 |
| 106971A1 | 09-233 | 12 | 109537A1 | 09-375 | 13 |
| 106972A1 | 09-233 | 12 | 109538A1 | 09-343 | 13 |
| 106973A1 | 09-233 | 13 | 109539A1 | 09-391 | 13 |
| 106974A1 | 09-235 | 27 | 109642A1 | 06-149 | 21 |
| 106989A1 | 09-039 | 13 | 109643A1 | 06-149 | 20 |
| 106990A1 | 09-039 | 15 | 109686A1 | 06-027 | |
| 107070A1 | 06-015 | 4 | 109879A1 | 09-153 | 3 |
| 107071A1 | 06-023 | 6 | 109879A1 | 09-163 | 13 |
| 107071A1 | 06-149 | 26 | 109879A1 | 09-169 | 13 |
| 107071A1 | 06-149 | 7 | 110290A1 | 08-117 | 33 |
| 107071A1 | 06-151 | 7 | 110290A1 | 08-121 | 33 |
| 107072A1 | 06-023 | 7 | 110290A1 | 08-123 | 44 |
| 107072A1 | 06-149 | 7A | 110290A1 | 08-127 | 42 |
| 107073A1 | 06-023 | 10 | 110290A1 | 08-131 | 22 |
| 107124A1 | 09-071 | 12 | 110290A1 | 08-133 | 22 |
| 107124A1 | 09-071 | 18 | 110290A1 | 08-135 | 22 |
| 107124A1 | 09-075 | 22 | 110290A1 | 08-313 | 1 |
| 107124A1 | 09-075 | 33 | 110292A1 | 08-313 | 2 |
| 107124A1 | 09-143 | 8 | 110292A1 | 08-315 | 2 |
| 107949A1 | 09-233 | 22 | 110307A1 | 08-289 | 12 |
| 108088A1 | 09-003 | 12 | 110417A1 | 08-091 | 37 |
| 108088A1 | 09-003 | 21 | 110417A1 | 08-095 | 37 |
| 108088A1 | 09-007 | 12 | 110417A1 | 08-105 | 31 |
| 108088A1 | 09-007 | 21 | 110417A1 | 08-109 | 31 |
| 108535A1 | 04-027 | 23 | 110659A1 | 08-083 | 12 |
| 108797A1 | 09-223 | 7 | 110659A1 | 08-091 | 23 |
| 108864A1 | 09-039 | 1 | 110659A1 | 08-095 | 23 |
| 108923A1 | 09-039 | 9 | 110659A1 | 08-099 | 23 |
| 108924A1 | 09-039 | 8 | 110659A1 | 08-105 | 23 |
| 108936A2 | 09-229 | 13 | 110659A1 | 08-109 | 23 |

INDEX - INDICE - INDEX - ZAHLENVERZEICHNIS - INDICE - INDICE - INDHOLD - INHOUD

| Number | Figure | Sequence Ref. | Number | Figure | Sequence Ref. |
|----------|--------|---------------|----------|--------|---------------|
| 175966A1 | 06-145 | 8 | 176957A1 | 09-153 | 6 |
| 175966A1 | 06-147 | 8 | 177071A1 | 04-017 | 4 |
| 175967A1 | 06-145 | 9 | 177164A2 | 04-035 | 10 |
| 175968A1 | 06-145 | 10 | 177164A2 | 04-037 | 10 |
| 175968A1 | 06-147 | 12 | 177223A1 | 09-313 | 8 |
| 175969A1 | 06-145 | 12 | 177269A1 | 04-107 | 6 |
| 175970A1 | 06-145 | 13 | 177489A1 | 08-143 | 16 |
| 175971A1 | 06-145 | 15 | 177489A1 | 08-147 | 16 |
| 175972A1 | 06-145 | 16 | 177489A1 | 08-151 | 16 |
| 175973A1 | 06-145 | 19 | 177511A1 | 08-069 | 2 |
| 175974A1 | 06-151 | 3 | 177511A1 | 08-307 | |
| 175982A1 | 06-151 | 24 | 177512A1 | 08-307 | 7 |
| 175984A1 | 06-151 | 5 | 177518A1 | 08-303 | 12 |
| 176028A1 | 04-009 | 42 | 177634A1 | 08-077 | 25 |
| 176028A1 | 04-013 | 42 | 177634A1 | 08-079 | 21 |
| 176226A1 | 08-077 | 13 | 178004A1 | 09-039 | 18 |
| 176226A1 | 08-089 | 13 | 178006A1 | 09-039 | 17 |
| 176226A1 | 08-091 | 13 | 178707A1 | 09-173 | 1 |
| 176226A1 | 08-095 | 13 | 178709A1 | 09-173 | 4 |
| 176226A1 | 08-099 | 13 | 178710A1 | 09-173 | 5 |
| 176226A1 | 08-117 | 12 | 178713A1 | 09-173 | 6 |
| 176226A1 | 08-123 | 12 | 178847A1 | 08-191 | |
| 176262A1 | 09-299 | 27 | 178850A1 | 08-311 | 14 |
| 176290A1 | 09-313 | 3 | 179029A1 | 09-045 | 1 |
| 176291A1 | 09-321 | 3 | 179355A1 | 09-235 | 11 |
| 176292A1 | 09-329 | 3 | 179375A1 | 04-075 | 12 |
| 176293A1 | 09-361 | 3 | 179616A1 | 04-075 | 13 |
| 176294A1 | 09-337 | 3 | 179617A1 | 04-083 | 6 |
| 176295A1 | 09-369 | 3 | 179618A1 | 04-081 | 1 |
| 176296A1 | 09-353 | 3 | 179683A1 | 09-313 | 7 |
| 176297A1 | 09-345 | 3 | 179689A1 | 06-043 | 6 |
| 176298A1 | 09-377 | 3 | 179689A1 | 06-045 | 6 |
| 176299A1 | 09-393 | 3 | 179689A1 | 06-049 | 6 |
| 176311A1 | 09-003 | 20 | 179689A1 | 06-053 | 6 |
| 176311A1 | 09-007 | 20 | 179689A1 | 06-057 | 6 |
| 176328A1 | 05-007 | 21 | 179956A1 | 09-035 | 6 |
| 176328A1 | 05-011 | 21 | 179956A1 | 09-037 | 6 |
| 176437A1 | 02-021 | 2 | 180318A1 | 08-161 | 3 |
| 176857A1 | 04-035 | 12 | 180318A1 | 08-163 | 3 |
| 176857A1 | 04-037 | 12 | 180318A1 | 08-165 | 3 |
| 176857A1 | 04-039 | 12 | 180409A1 | 09-193 | |
| 176884A1 | 04-019 | 7 | 180410A1 | 09-193 | |
| 176884A1 | 04-021 | 7 | 180412A1 | 09-193 | |
| 176884A1 | 04-023 | 7 | 180413A1 | 09-189 | |
| 176884A1 | 04-025 | 7 | 180414A1 | 09-197 | |
| 176952A1 | 09-153 | 5 | 180415A1 | 09-197 | |

INDEX - INDICE - INDEX - ZAHLENVERZEICHNIS - INDICE - INDICE - INDHOLD - INHOUD

| Number | Figure | Sequence Ref. | Number | Figure | Sequence Ref. |
|----------|--------|---------------|----------|-----------------|---------------|
| 214-1704 | 03-007 | 9 | 218-335 | 08-135 | 33 |
| 214-1704 | 07-017 | 10 | 218-348 | 08-187 | 8 |
| 214-1706 | 03-007 | 13 | 218-431 | 08-187 | 12 |
| 214-1706 | 07-017 | 11 | 218-431 | 08-189 | 3 |
| 214-182 | 08-057 | 28 | 218-435 | 08-039 | 41 |
| 214-259 | 02-003 | 17 | 218-435 | 08-049 | 22 |
| 214-261 | 02-003 | 19 | 218-441 | 08-073 | 15 |
| 214-265 | 02-013 | 9 | 218-441 | 08-075 | 15 |
| 214-273 | 08-067 | 17 | 218-453 | 08-083 | 11 |
| 214-274 | 09-243 | 19 | 218-453 | 08-091 | 41 |
| 214-280 | 08-081 | 5 | 218-453 | 08-095 | 41 |
| 214-3132 | 08-123 | 37 | 218-453 | 08-099 | 39 |
| 214-3132 | 08-123 | 39 | 218-453 | 08-105 | 35 |
| 214-3132 | 08-127 | 37 | 218-453 | 08-109 | 35 |
| 214-3132 | 08-175 | 36 | 218-453 | 08-113 | 33 |
| 214-3132 | 08-181 | 36 | 218-459 | 06-043 | 18 |
| 214-3132 | 08-185 | 5 | 218-459 | 06-045 | 18 |
| 214-3156 | 08-175 | 32 | 218-459 | 06-049 | 18 |
| 214-3156 | 08-181 | 32 | 218-459 | 06-053 | 18 |
| 214-3240 | 02-043 | 3 | 218-459 | 06-057 | 18 |
| 214389 | 02-091 | 12 | 218-476 | 08-091 | 36 |
| 217-1102 | 08-003 | 5 | 218-476 | 08-095 | 36 |
| 217-1102 | 08-007 | 5 | 218-476 | 08-105 | 30 |
| 217-314 | 06-039 | 18 | 218-476 | 08-109 | 30 |
| 217-314 | 06-041 | 17 | 218-5000 | 08-075 | 19 |
| 217-342 | 08-029 | 15 | 218-5050 | 08-185 | 4 |
| 217-347 | 08-003 | 16 | 218-5053 | 05-011 | 7 |
| 217-347 | 08-007 | 16 | 218-5053 | 07-017 | 19 |
| 217-372 | 03-007 | 24 | 218-5053 | 08-189 | 6 |
| 217-380 | 08-003 | 21 | 218-5057 | 05-011 | 2 |
| 217-380 | 08-007 | 21 | 218-5057 | 06-129 | 3 |
| 217-466 | 02-063 | 3 | 218-5057 | 08-073 | 2 |
| 217-92 | 02-003 | 20 | 218-5057 | 08-075 | 2 |
| 217-92 | 02-007 | 20 | 218-5057 | 08-141 | 6 |
| 218-1023 | 06-073 | 9 | 218-5057 | 08-167 | 8 |
| 218-1023 | 06-075 | 9 | 218-5057 | 08-171 | 8 |
| 218-1237 | 08-047 | 10 | 218-5057 | 08-187 | 2 |
| 218-1251 | 08-047 | 11 | 218-5058 | 08-167 | 12 |
| 218-1256 | 08-161 | 15 | 218-5058 | 08-171 | 12 |
| 218-1256 | 08-163 | 15 | 218-5059 | 05-007 | 10 |
| 218-1256 | 08-165 | 15 | 218-5059 | 05-011 | 10 |
| 218-1256 | 08-175 | 37 | 218-5059 | 08-053 | 11 |
| 218-1256 | 08-181 | 37 | 218-5059 | 08-057 | 11 |
| 218-1582 | 08-063 | 5 | 218-5059 | 08-063 | 1 |
| 218-335 | 05-011 | 32 | 218-5059 | HYDRAULIKKREISL | 1 |
| 218-335 | 08-131 | 29 | 218-5060 | 08-063 | 20 |

INDEX - INDICE - INDEX - ZAHLENVERZEICHNIS - INDICE - INDICE - INDHOLD - INHOUD

| Number | Figure | Sequence Ref. | Number | Figure | Sequence Ref. |
|----------|--------|---------------|----------|--------|---------------|
| 239156A1 | 09-401 | 3 | 243136A3 | 08-091 | 1 |
| 239157A1 | 09-385 | 3 | 243136A3 | 08-103 | 1 |
| 239306A1 | 09-003 | 14 | 243136A3 | 08-105 | 1 |
| 239306A1 | 09-007 | 14 | 243136A3 | 08-117 | 1 |
| 239366A1 | 09-003 | | 243136A3 | 08-121 | 1 |
| 239406A1 | 09-011 | 7 | 243136A3 | 08-123 | 1 |
| 239606A1 | 06-075 | 18 | 243136A3 | 08-127 | 1 |
| 240576A1 | 09-145 | 9 | 243136A3 | 08-131 | 1 |
| 240693A2 | 08-049 | 7 | 243136A3 | 08-133 | 1 |
| 240703A2 | 08-049 | 14 | 243136A3 | 08-135 | 1 |
| 240706A2 | 08-049 | 13 | 243136A3 | 08-221 | |
| 240709A4 | 08-049 | 11 | 243138A3 | 08-225 | |
| 240711A4 | 08-049 | 12 | 243141A1 | 08-095 | 1 |
| 241175A1 | 06-043 | 30 | 243141A1 | 08-099 | 1 |
| 241175A1 | 06-049 | 30 | 243141A1 | 08-109 | 1 |
| 241625A2 | 08-057 | 35 | 243141A1 | 08-113 | 1 |
| 241627A2 | 08-057 | 51 | 243141A1 | 08-151 | 1 |
| 241762A1 | 08-139 | 15 | 243141A1 | 08-175 | 1 |
| 241803A1 | 04-085 | 17 | 243141A1 | 08-181 | 1 |
| 241891A1 | 04-085 | 18 | 243141A1 | 08-229 | |
| 241957A1 | 06-095 | 20 | 243145A3 | 08-221 | 6 |
| 241957A1 | 06-099 | 20 | 243145A3 | 08-225 | 7 |
| 241957A1 | 06-103 | 20 | 243145A3 | 08-229 | 7 |
| 241957A1 | 06-107 | 20 | 243145A3 | 08-233 | 7 |
| 242459A1 | 08-175 | 22 | 243145A3 | 08-259 | |
| 242459A1 | 08-181 | 22 | 243291A1 | 08-175 | 41 |
| 242551A1 | 08-175 | 29 | 243291A1 | 08-181 | 41 |
| 242551A1 | 08-181 | 29 | 243338A1 | 08-157 | 12 |
| 242553A1 | 08-175 | 28 | 243339A1 | 08-141 | 3 |
| 242553A1 | 08-181 | 28 | 243421A1 | 09-145 | 1 |
| 242561A1 | 09-071 | 17 | 243492A1 | 09-317 | 3 |
| 242561A1 | 09-075 | 32 | 243493A1 | 09-325 | 3 |
| 242562A1 | 09-071 | 15 | 243494A1 | 09-357 | 3 |
| 242562A1 | 09-075 | 30 | 243495A1 | 09-333 | 3 |
| 242673A1 | 08-175 | 26 | 243496A1 | 09-365 | 3 |
| 242673A1 | 08-181 | 26 | 243497A1 | 09-349 | 3 |
| 242722A1 | 09-259 | | 243498A1 | 09-341 | 3 |
| 242724A1 | 09-259 | | 243499A1 | 09-397 | 3 |
| 242724A1 | 09-263 | | 243500A1 | 09-373 | 3 |
| 243084A1 | 09-059 | 14 | 243501A1 | 09-389 | 3 |
| 243136A3 | 08-053 | 1 | 243502A1 | 09-381 | 3 |
| 243136A3 | 08-057 | 1 | 243503A1 | 09-317 | 4 |
| 243136A3 | 08-067 | 1 | 243504A1 | 09-325 | 4 |
| 243136A3 | 08-077 | 1 | 243505A1 | 09-357 | 4 |
| 243136A3 | 08-079 | 1 | 243506A1 | 09-333 | 4 |
| 243136A3 | 08-089 | 1 | 243507A1 | 09-365 | 4 |

INDEX - INDICE - INDEX - ZAHLENVERZEICHNIS - INDICE - INDICE - INDHOLD - INHOUD

| Number | Figure | Sequence Ref. | Number | Figure | Sequence Ref. |
|-----------|--------|---------------|-----------|--------|---------------|
| 484-43120 | 08-253 | 43 | 495-11041 | 04-013 | 37 |
| 484-6316 | 06-043 | 3 | 495-11041 | 04-017 | 9 |
| 484-6316 | 06-045 | 3 | 495-11041 | 04-031 | 26 |
| 484-6316 | 06-049 | 3 | 495-11041 | 04-033 | 23 |
| 484-6316 | 06-053 | 3 | 495-11041 | 07-021 | 26 |
| 484-6316 | 06-057 | 3 | 495-11041 | 09-003 | 44 |
| 490-1108 | 04-027 | 14 | 495-11041 | 09-003 | 54 |
| 490-1108 | 04-027 | 4 | 495-11041 | 09-007 | 53 |
| 490-1108 | 04-029 | 4 | 495-11041 | 09-269 | 18 |
| 492-11025 | 03-015 | 21 | 495-11047 | 09-061 | 15 |
| 492-11025 | 03-017 | 24 | 495-11053 | 06-045 | 10 |
| 492-11025 | 03-019 | 24 | 495-11053 | 06-053 | 10 |
| 492-11025 | 03-035 | 35 | 495-11053 | 06-057 | 10 |
| 492-11025 | 04-063 | 19 | 495-11053 | 09-013 | 35 |
| 492-11025 | 04-065 | 15 | 495-11081 | 09-039 | 10 |
| 492-11025 | 04-067 | 15 | 495-11094 | 05-025 | 39 |
| 492-11025 | 09-229 | 21 | 495-11106 | 09-159 | 33 |
| 492-11031 | 09-207 | 7 | 495-21019 | 09-003 | 25B |
| 492-11031 | 09-271 | 6 | 495-21019 | 09-007 | 25B |
| 492-11038 | 04-061 | 10 | 495-21038 | 07-021 | 4 |
| 492-11038 | 05-025 | 25 | 495-21038 | 09-207 | 8 |
| 492-11044 | 08-009 | 15 | 495-21038 | 09-209 | 18 |
| 492-11044 | 08-013 | 15 | 495-21038 | 09-233 | 6A |
| 492-11044 | 08-017 | 15 | 495-21044 | 04-059 | 8 |
| 492-11044 | 09-061 | 18 | 495-21044 | 04-061 | 6 |
| 492-11044 | 09-179 | 3 | 495-21044 | 04-065 | 22 |
| 492-11044 | 09-181 | 3 | 495-21044 | 08-003 | 8 |
| 493-11039 | 04-009 | 36 | 495-21044 | 08-007 | 8 |
| 493-11039 | 04-013 | 36 | 495-21044 | 09-003 | 11 |
| 493-21020 | 04-009 | 9 | 495-21044 | 09-007 | 11 |
| 493-21020 | 04-013 | 9 | 495-21044 | 09-049 | 29 |
| 493-21020 | 08-279 | 3 | 495-21044 | 09-275 | 14 |
| 493-21026 | 09-271 | 9 | 495-21050 | 08-163 | 25 |
| 493-21033 | 04-009 | 7 | 495-21050 | 08-165 | 25 |
| 493-21033 | 04-013 | 7 | 495-21056 | 04-045 | 13 |
| 493-41020 | 06-043 | 5 | 495-21056 | 04-049 | 13 |
| 493-41020 | 06-045 | 5 | 495-21056 | 06-003 | 15 |
| 493-41020 | 06-049 | 5 | 495-21056 | 06-005 | 15 |
| 493-41020 | 06-053 | 5 | 495-21056 | 09-061 | 4 |
| 493-41020 | 06-057 | 5 | 495-31022 | 03-011 | 9 |
| 495-11022 | 08-271 | 24 | 495-31022 | 03-013 | 9 |
| 495-11022 | 08-275 | 24 | 495-31022 | 04-037 | 18 |
| 495-11028 | 09-003 | 17 | 495-71041 | 09-233 | 24 |
| 495-11028 | 09-007 | 17 | 495-81001 | 04-045 | 10 |
| 495-11028 | 09-275 | 15 | 495-81001 | 04-049 | 10 |
| 495-11041 | 04-009 | 37 | 495-81001 | 09-207 | 16 |

INDEX - INDICE - INDEX - ZAHLENVERZEICHNIS - INDICE - INDICE - INDHOLD - INHOUD

| Number | Figure | Sequence Ref. | Number | Figure | Sequence Ref. |
|-----------|--------|---------------|-----------|--------|---------------|
| 895-11008 | 09-251 | 14 | 895-11010 | 09-211 | 6 |
| 895-11008 | 09-259 | 22 | 895-11010 | 09-265 | 22 |
| 895-11008 | 09-263 | 22 | 895-11010 | 09-265 | 9 |
| 895-11008 | 09-275 | 12 | 895-11010 | 09-267 | 9 |
| 895-11010 | 02-013 | 12 | 895-11010 | 09-291 | 3 |
| 895-11010 | 02-013 | 5 | 895-11012 | 04-009 | 47 |
| 895-11010 | 02-015 | 5 | 895-11012 | 04-013 | 47 |
| 895-11010 | 04-009 | 48 | 895-11012 | 06-037 | 14 |
| 895-11010 | 04-013 | 48 | 895-11012 | 06-039 | 14 |
| 895-11010 | 06-037 | 9 | 895-11012 | 06-041 | 11 |
| 895-11010 | 06-039 | 9 | 895-11020 | 09-053 | 17 |
| 895-11010 | 08-027 | 3 | 895-1106 | 08-187 | 5 |
| 895-11010 | 08-029 | 17 | 895-1108 | 08-189 | 16 |
| 895-11010 | 08-029 | 3 | 895-15006 | 04-041 | 10 |
| 895-11010 | 08-039 | 38 | 895-15006 | 04-075 | 4 |
| 895-11010 | 08-047 | 14 | 895-15006 | 04-079 | 10 |
| 895-11010 | 08-049 | 5 | 895-15006 | 04-081 | 10 |
| 895-11010 | 08-159 | 6 | 895-15006 | 09-169 | 32 |
| 895-11010 | 08-163 | 14 | 895-15006 | 09-213 | 9 |
| 895-11010 | 08-165 | 14 | 895-15006 | 09-217 | 5 |
| 895-11010 | 08-167 | 6 | 895-15008 | 02-003 | 7 |
| 895-11010 | 08-171 | 6 | 895-15008 | 02-007 | 7 |
| 895-11010 | 08-185 | 9 | 895-15008 | 02-013 | 17 |
| 895-11010 | 08-189 | 9 | 895-15008 | 02-015 | 17 |
| 895-11010 | 09-003 | 51 | 895-15008 | 04-059 | 6 |
| 895-11010 | 09-013 | 20 | 895-15008 | 08-139 | 18 |
| 895-11010 | 09-025 | 17 | 895-15008 | 09-175 | 5 |
| 895-11010 | 09-025 | 21 | 895-15010 | 09-061 | 9 |
| 895-11010 | 09-027 | 17 | 895-15012 | 08-017 | 8 |
| 895-11010 | 09-027 | 21 | 895-18010 | 04-085 | 21 |
| 895-11010 | 09-067 | 20 | 895-18010 | 09-047 | 12 |
| 895-11010 | 09-069 | 10 | 895-18010 | 09-059 | 34 |
| 895-11010 | 09-155 | 7 | 895-18010 | 09-145 | 5 |
| 895-11010 | 09-157 | 10 | 895-18010 | 09-149 | 5 |
| 895-11010 | 09-159 | 11 | 896-11010 | 02-007 | 28 |
| 895-11010 | 09-159 | 23 | 896-11010 | 02-021 | 8 |
| 895-11010 | 09-159 | 29 | 896-11010 | 02-023 | 8 |
| 895-11010 | 09-159 | 6 | 896-11010 | 06-041 | 9 |
| 895-11010 | 09-163 | 17 | 896-11010 | 06-043 | 17 |
| 895-11010 | 09-163 | 4 | 896-11010 | 06-043 | 25 |
| 895-11010 | 09-163 | 6 | 896-11010 | 06-045 | 17 |
| 895-11010 | 09-169 | 17 | 896-11010 | 06-045 | 25 |
| 895-11010 | 09-169 | 4 | 896-11010 | 06-049 | 17 |
| 895-11010 | 09-169 | 6 | 896-11010 | 06-049 | 25 |
| 895-11010 | 09-173 | 8 | 896-11010 | 06-053 | 17 |
| 895-11010 | 09-175 | 7 | 896-11010 | 06-053 | 25 |

INDEX - INDICE - INDEX - ZAHLENVERZEICHNIS - INDICE - INDICE - INDHOLD - INHOUD

| Number | Figure | Sequence Ref. | Number | Figure | Sequence Ref. |
|----------|--------|---------------|---------|--------|---------------|
| E49517 | 09-377 | 1 | G100448 | 08-303 | 17 |
| E49518 | 09-393 | 1 | G100449 | 08-289 | 16 |
| E49712 | 05-031 | 2 | G100449 | 08-291 | 18 |
| E49802 | 09-277 | 5 | G100449 | 08-299 | 19 |
| E49803 | 09-277 | 1 | G100449 | 08-301 | 19 |
| E49809 | 09-235 | 21 | G100449 | 08-317 | 15 |
| E49810 | 09-235 | 12 | G100449 | 09-055 | 5 |
| E49862 | 04-079 | 13 | G100710 | 08-287 | 15 |
| E49862 | 04-081 | 13 | G100710 | 08-313 | 18 |
| E49863 | 04-079 | 8 | G100710 | 08-315 | 18 |
| E49863 | 04-081 | 8 | G100711 | 08-287 | 16 |
| E49875 | 04-083 | 3 | G100711 | 08-313 | 19 |
| E49958 | 09-299 | 15 | G100711 | 08-315 | 19 |
| E55046 | 09-225 | | G101066 | 08-271 | 32 |
| E55047 | 09-225 | | G101066 | 08-275 | 32 |
| E55093 | 04-017 | 1 | G101533 | 08-293 | 6 |
| F13537 | 08-271 | 38 | G101533 | 08-295 | 6 |
| F13537 | 08-275 | 38 | G101533 | 08-297 | 6 |
| F19646 | 05-005 | 3 | G101533 | 08-299 | 6 |
| F22426 | 04-041 | 28 | G101533 | 08-301 | 6 |
| F2547002 | 09-185 | 6 | G101533 | 08-303 | 6 |
| F44505 | 09-287 | 4 | G101994 | 08-305 | 2 |
| F44748 | 09-233 | 19 | G101994 | 08-307 | 2 |
| F44881 | 09-229 | 10 | G101995 | 08-305 | 3 |
| F44881 | 09-233 | 9 | G101995 | 08-307 | 3 |
| F44883 | 09-163 | 10 | G101996 | 08-305 | 4 |
| F44883 | 09-169 | 10 | G101996 | 08-307 | 4 |
| F44883 | 09-229 | 28 | G102090 | 08-309 | 22 |
| F45165 | 09-225 | 11 | G102090 | 08-311 | 19 |
| F45165 | 09-229 | 6 | G102092 | 08-311 | 18 |
| F64046 | 09-233 | 3 | G102285 | 08-303 | 15 |
| F64198 | 09-225 | 10 | G102286 | 08-287 | 14 |
| F64198 | 09-229 | 8 | G102286 | 08-313 | 17 |
| F64198 | 09-235 | 15 | G102286 | 08-315 | 17 |
| F64342 | 09-225 | 13 | G102288 | 08-289 | 14 |
| F64519 | 09-237 | 8 | G102288 | 08-291 | 16 |
| G100440 | 08-303 | 16 | G102288 | 08-317 | 13 |
| G100443 | 08-299 | 17 | G102424 | 08-289 | 6 |
| G100443 | 08-301 | 17 | G102425 | 08-287 | 6 |
| G100443 | 09-055 | 6 | G102425 | 08-291 | 6 |
| G100444 | 08-289 | 15 | G102425 | 08-317 | 5 |
| G100444 | 08-291 | 17 | G102426 | 08-305 | 17 |
| G100444 | 08-299 | 18 | G102426 | 08-307 | 17 |
| G100444 | 08-301 | 18 | G102426 | 08-309 | 8 |
| G100444 | 08-317 | 14 | G102427 | 08-311 | 6 |
| G100444 | 09-055 | 7 | G102711 | 08-203 | 5 |

CLICK HERE TO **DOWNLOAD** THE COMPLETE MANUAL

- Thank you very much for reading the preview of the manual.
- You can download the complete manual from: www.heydownloads.com by clicking the link below



- Please note: If there is no response to CLICKING the link, please download this PDF first and then click on it.

CLICK HERE TO **DOWNLOAD** THE COMPLETE MANUAL