

All rights reserved by **CNHi**.

The information contained in this catalogue is intended to be of a general nature only. **CNHi** may at any time and from time to time, for technical or other necessary reasons, modify any of the details or specifications of the product described in this catalogue.

To be sure of getting accurate, detailed and up-to-date information, an intending buyer should consult his nearest **CNHi** dealer or distributor.

Single item numeration method used in this catalogue may not be used without written consent from **CNHi**.

CLICK HERE TO **DOWNLOAD** THE COMPLETE MANUAL

- Thank you very much for reading the preview of the manual.
- You can download the complete manual from: www.heydownloads.com by clicking the link below



- Please note: If there is no response to CLICKING the link, please download this PDF first and then click on it.

CLICK HERE TO **DOWNLOAD** THE COMPLETE MANUAL

TABLE OF CONTENTS

35.730.BM	01	POSITIONING CYLINDER
35.736.AA	01	BOOM CYLINDER
35.736.AA	02	BOOM CYLINDER HOSES
35.736.AA	03	BOOM CYLINDER TUBING
35.736.AA	04	BOOM CYLINDER, LIVERY
35.736.AA	05	BOOM CYLINDER TUBING, LIVERY
35.736.AC	01	BACKHOE BOOM CYLINDER HOSES
35.737.AA	01	DIPPER CYLINDER
35.737.AA	02	DIPPER CYLINDER HOSES
35.737.AA	03	DIPPER ASSY, CYLINDER PLUMBING COMMON BH, LIVERY
35.737.AA	04	CYLINDER, HYD, EHOE 14FT CBH, LIVERY
35.737.AA	05	DIPPER ASSY, HYDRAULIC CYLINDER, CBH
35.737.AE	01	BACKHOE BUCKET AND DIPPER CYLINDER HOSES
35.737.AE	02	UNI - AUX, BOOM AND DIPPER
35.737.AE	03	UNI - AUX, BOOM AND DIPPER
35.737.AE	04	UNI - AUXILARY, BOOM AND DIPPER
35.738.AA	01	BACKHOE BUCKET CYLINDER
35.738.AA	02	BUCKET CYLINDER HOSES AND TUBES
35.738.AA	03	BDB BUCKET CYLINDER
35.738.AA	04	BACKHOE, STD, 14FT COMMON BHOE EXPOR, LIVERY
35.738.AA	05	CYLINDER BUCKET B/H
35.738.AE	01	EXTENDHOE DIPPER BOOM TUBE AND HOSES
35.738.AE	02	EXTENDHOE DIPPER BOOM TUBE AND HOSES
35.738.AE	03	EXTENDHOE EXTENDABLE DIPSTICK
35.738.AE	04	EXTENDHOE HOSES AND TUBES
35.738.AE	05	EXTENDHOE DIPPER CYLINDER
35.738.AE	06	BUCKET CYLINDER TUBING
35.738.AE	07	BOOM ASSY, COMMON BACKHOE EHOE, LIVERY
35.738.AE	08	I, BACKHOE, EXTEND-HOE, 14FT COMMON BHOE, LIVERY
35.739.AA	01	SWING CYLINDER
35.739.AE	01	BACKHOE SWING CYLINDER HOSES
35.739.AE	02	BACKHOE SWING CYLINDER HOSES, LIVERY
39.000.00	01	SECTION INDEX - FRAMES AND BALLASTING
39.000.00	01	SECTION INDEX - FRAMES AND BALLASTING

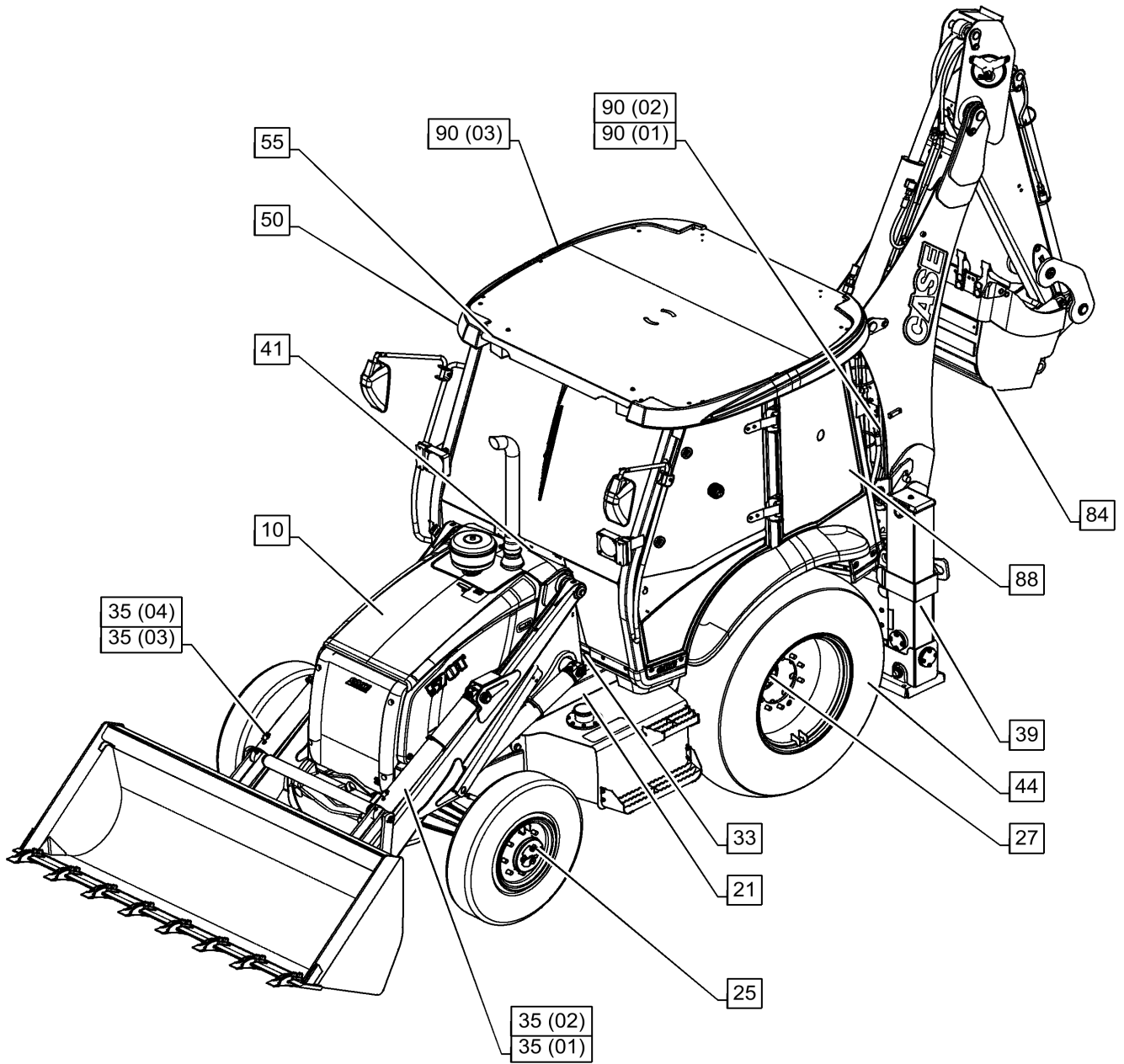
00.000.00

01

p1

5/2019

PICTORIAL INDEX - MAIN SECTIONS



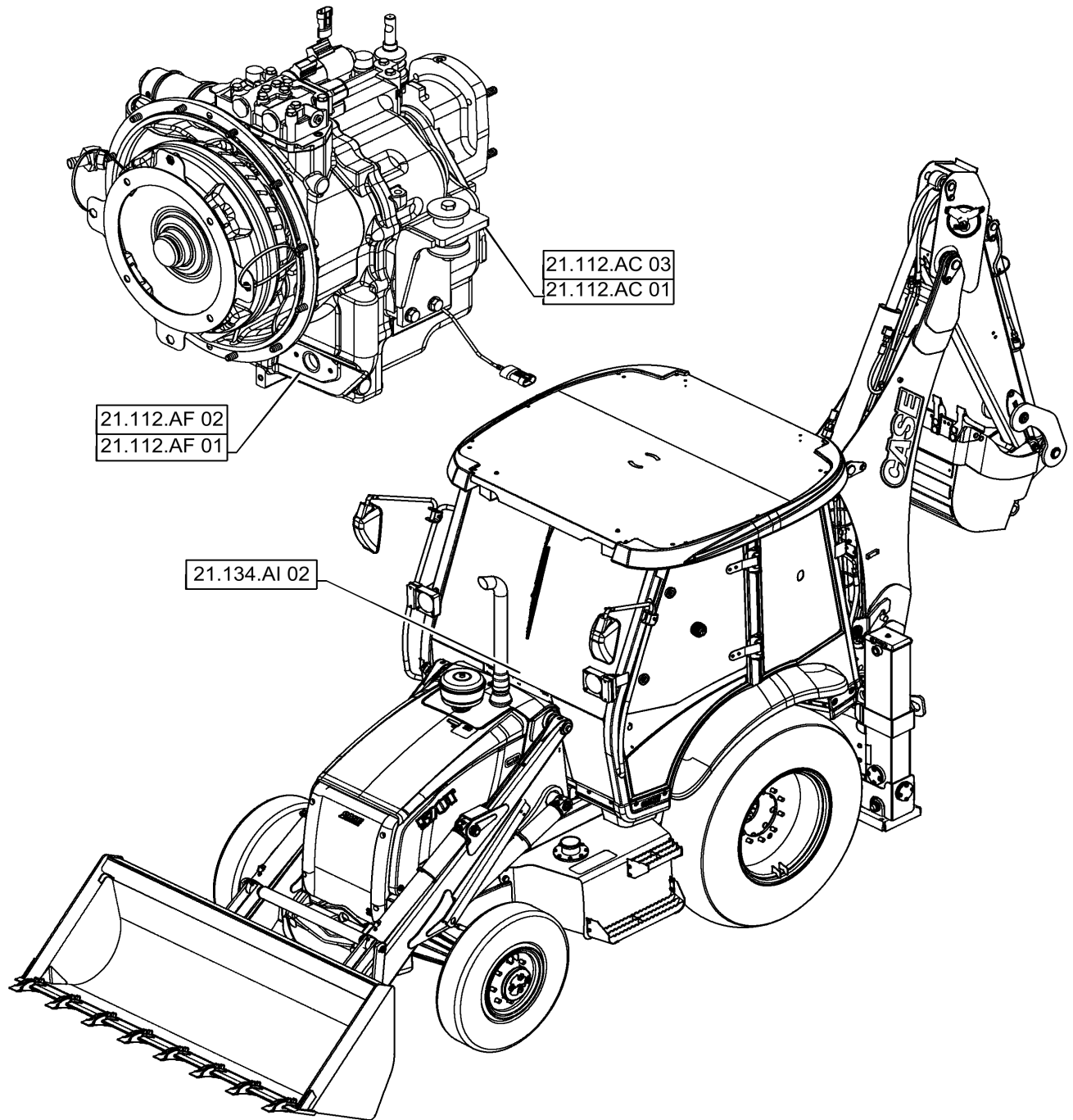
00.000.21

01

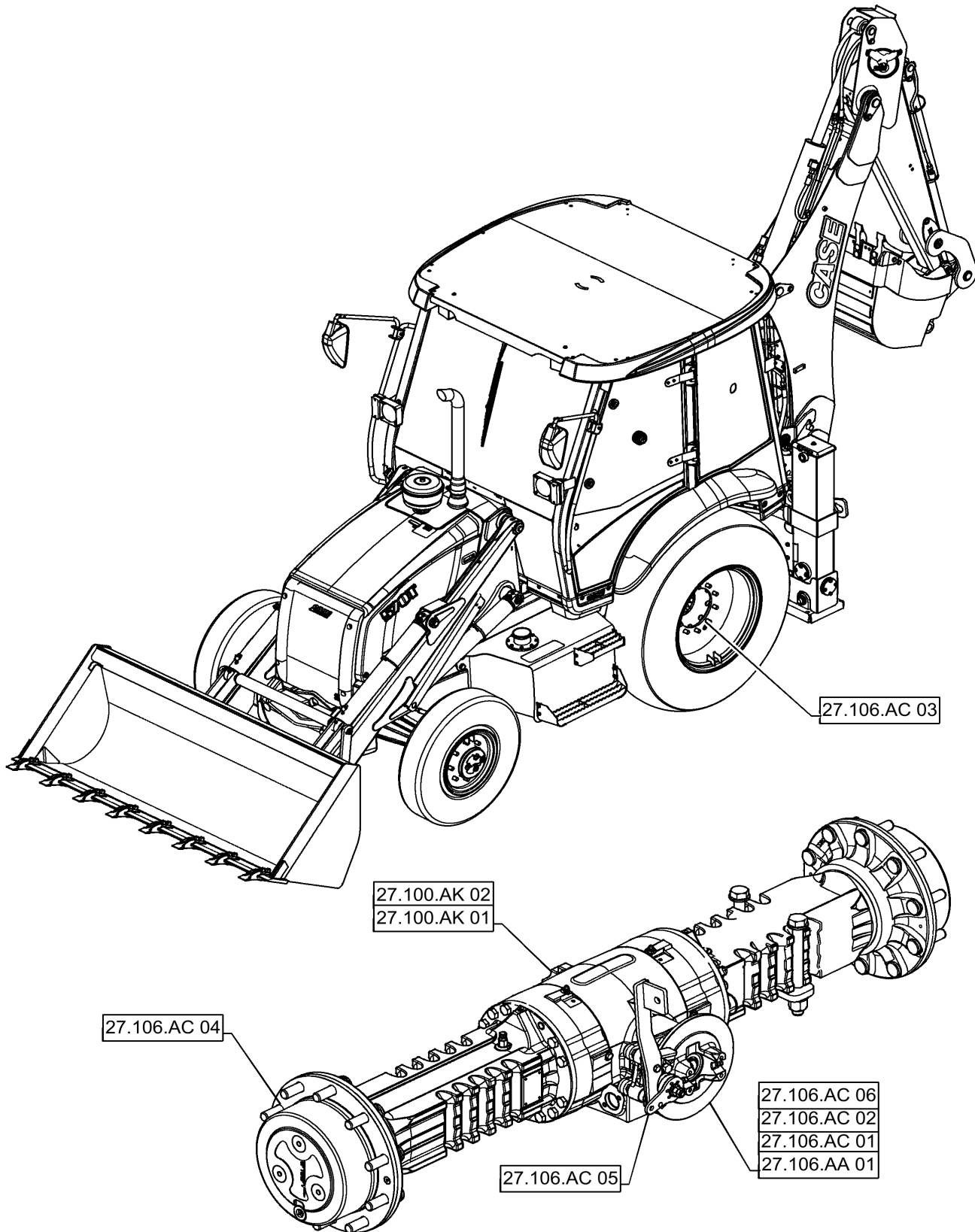
p1

5/2019

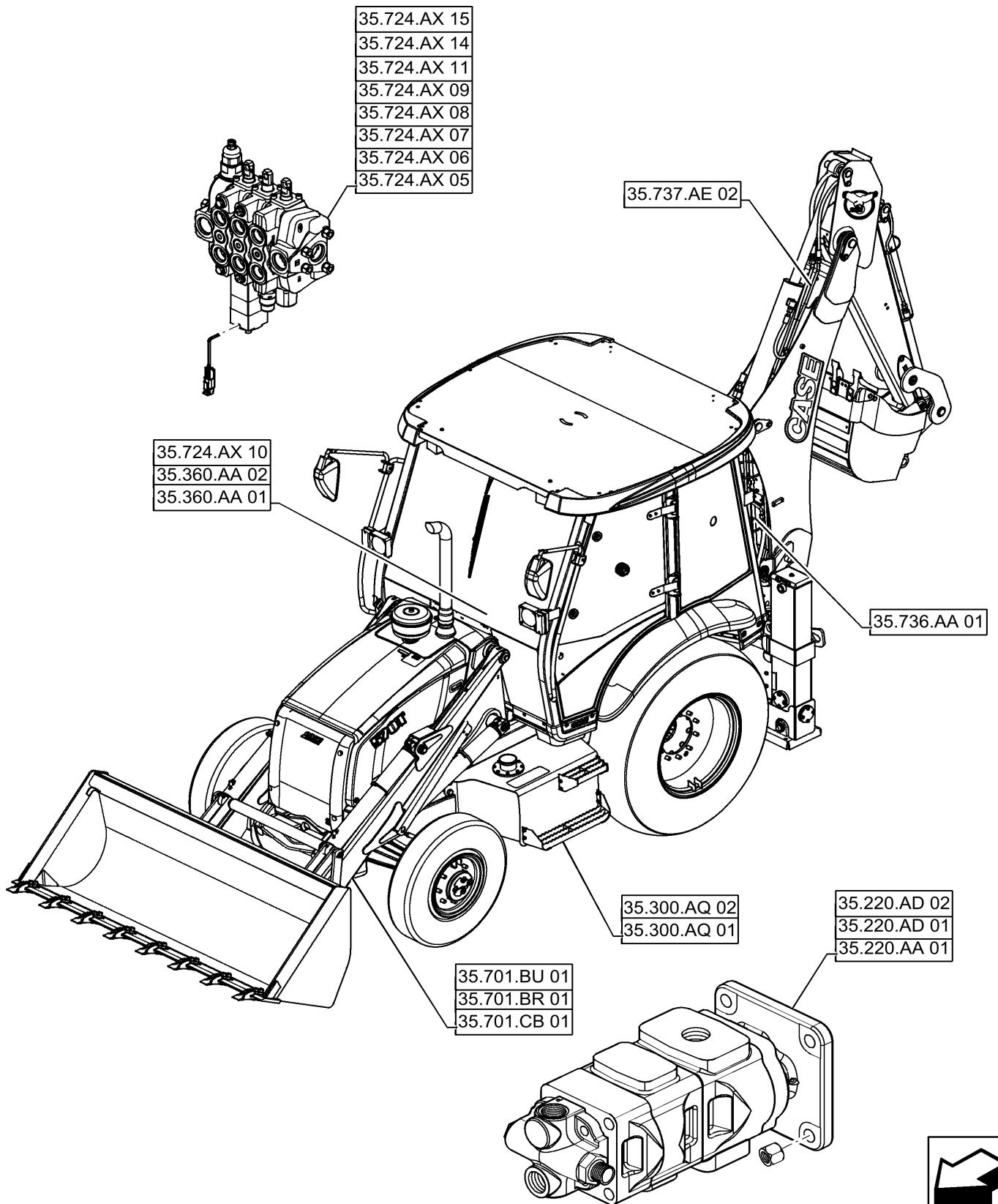
PICTORIAL INDEX - TRANSMISSION



PICTORIAL INDEX - REAR AXLE SYSTEM

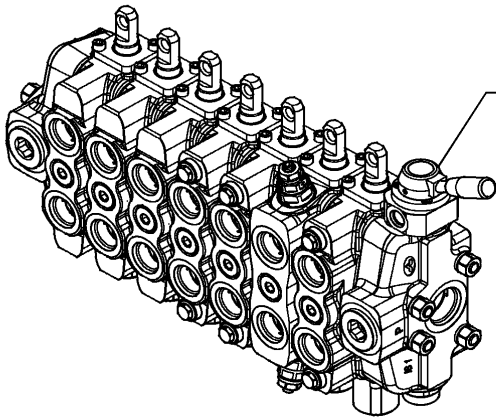


PICTORIAL INDEX - HYDRAULIC SYSTEMS



PICTORIAL INDEX - HYDRAULIC SYSTEMS

- 35.726.AX 15
- 35.726.AX 14
- 35.726.AX 13
- 35.726.AX 12
- 35.726.AX 11
- 35.726.AX 10
- 35.726.AX 09
- 35.726.AX 08
- 35.726.AX 07
- 35.726.AX 05
- 35.726.AX 04
- 35.726.AX 03
- 35.726.AX 02
- 35.726.AX 01



35.737.AE 01

35.738.AA 02
35.738.AA 01

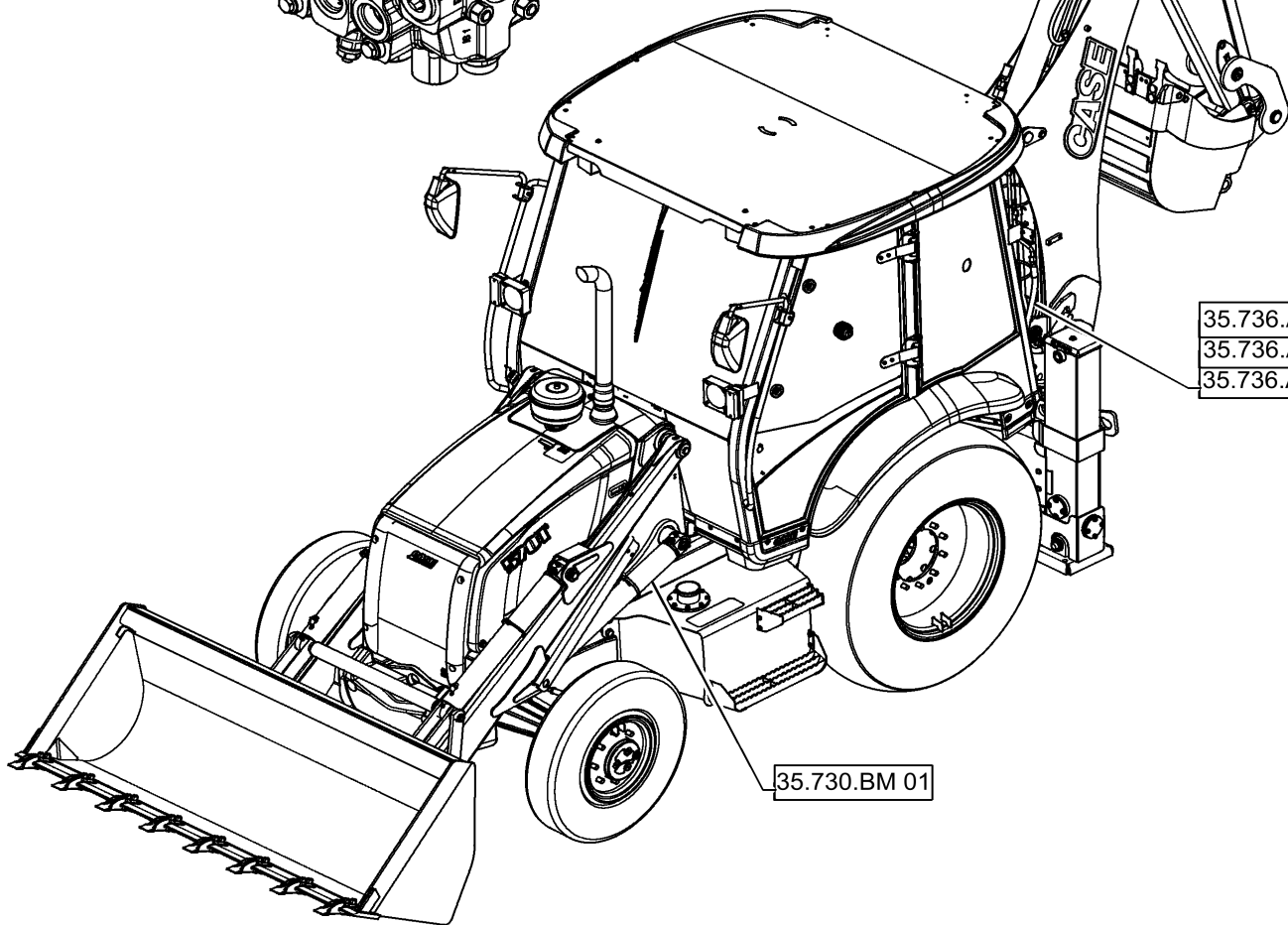
35.738.AE 05

35.738.AE 03
35.738.AE 04

35.738.AE 02
35.738.AE 01

35.736.AA 03
35.736.AA 02
35.736.AC 01

35.730.BM 01



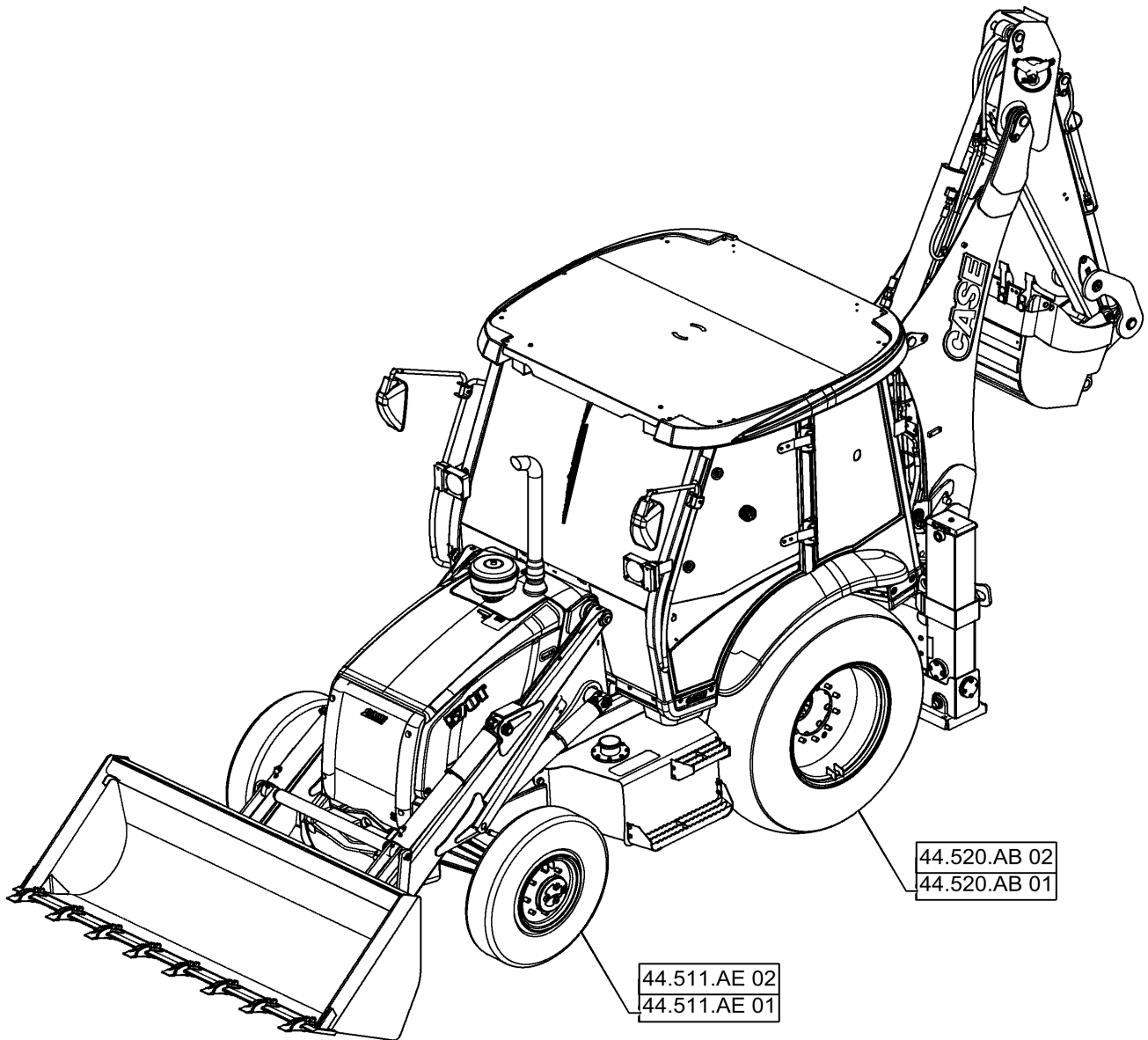
00.000.44

01

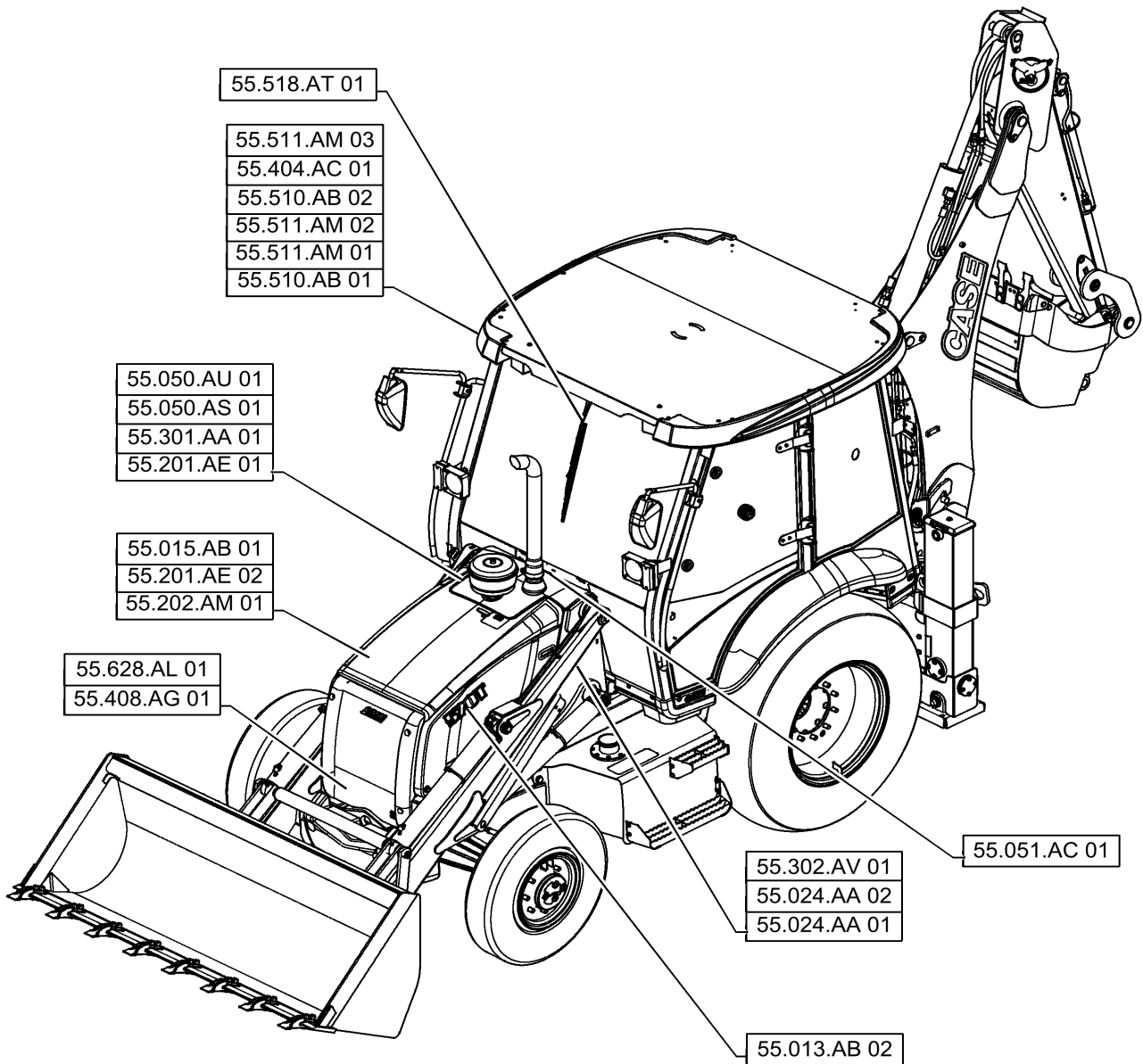
p1

5/2019

PICTORIAL INDEX - WHEELS



PICTORIAL INDEX - ELECTRICAL SYSTEMS



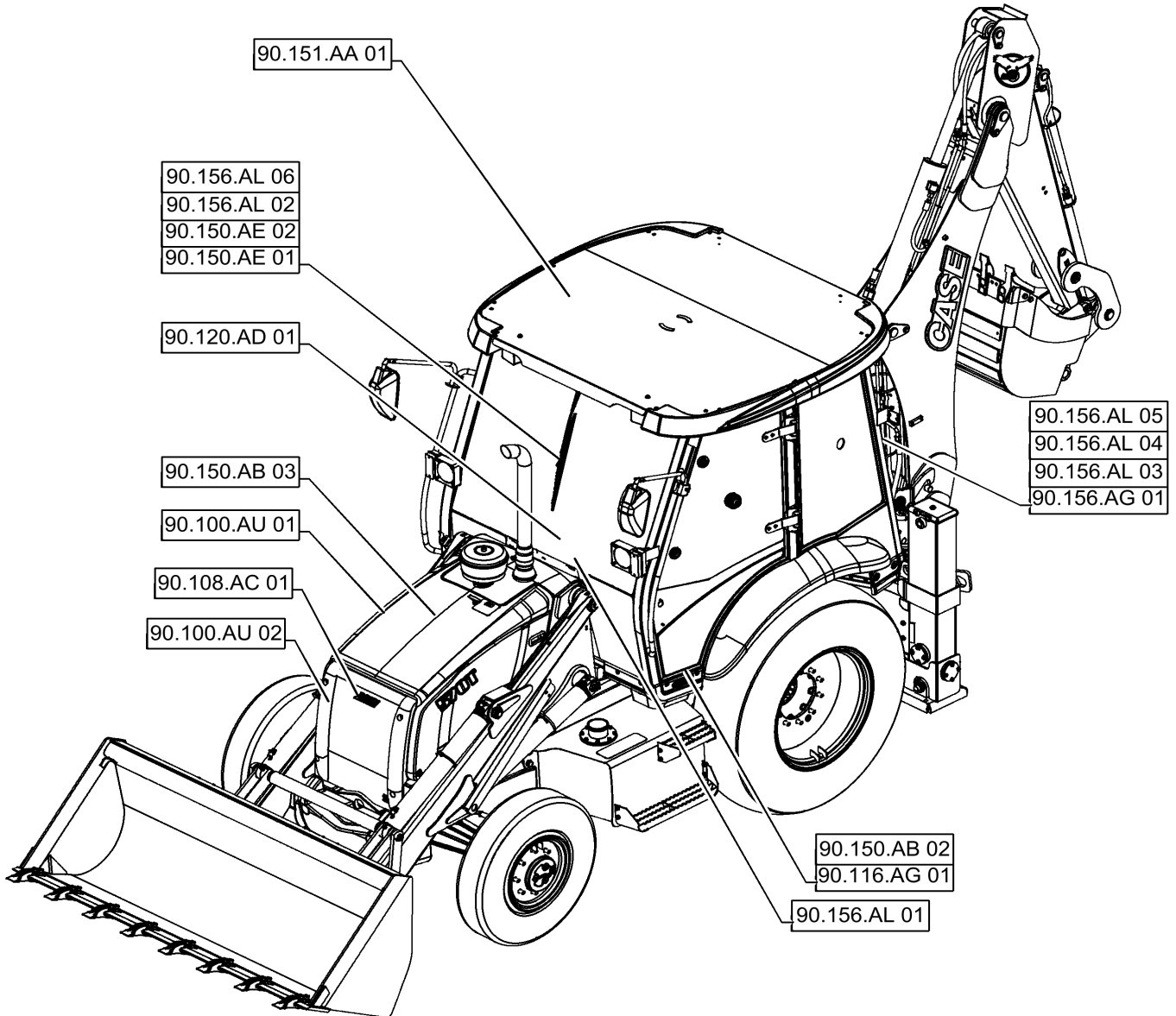
00.000.90

01

p1

5/2019

PICTORIAL INDEX - PLATFORM, CAB, BODYWORK AND DECALS



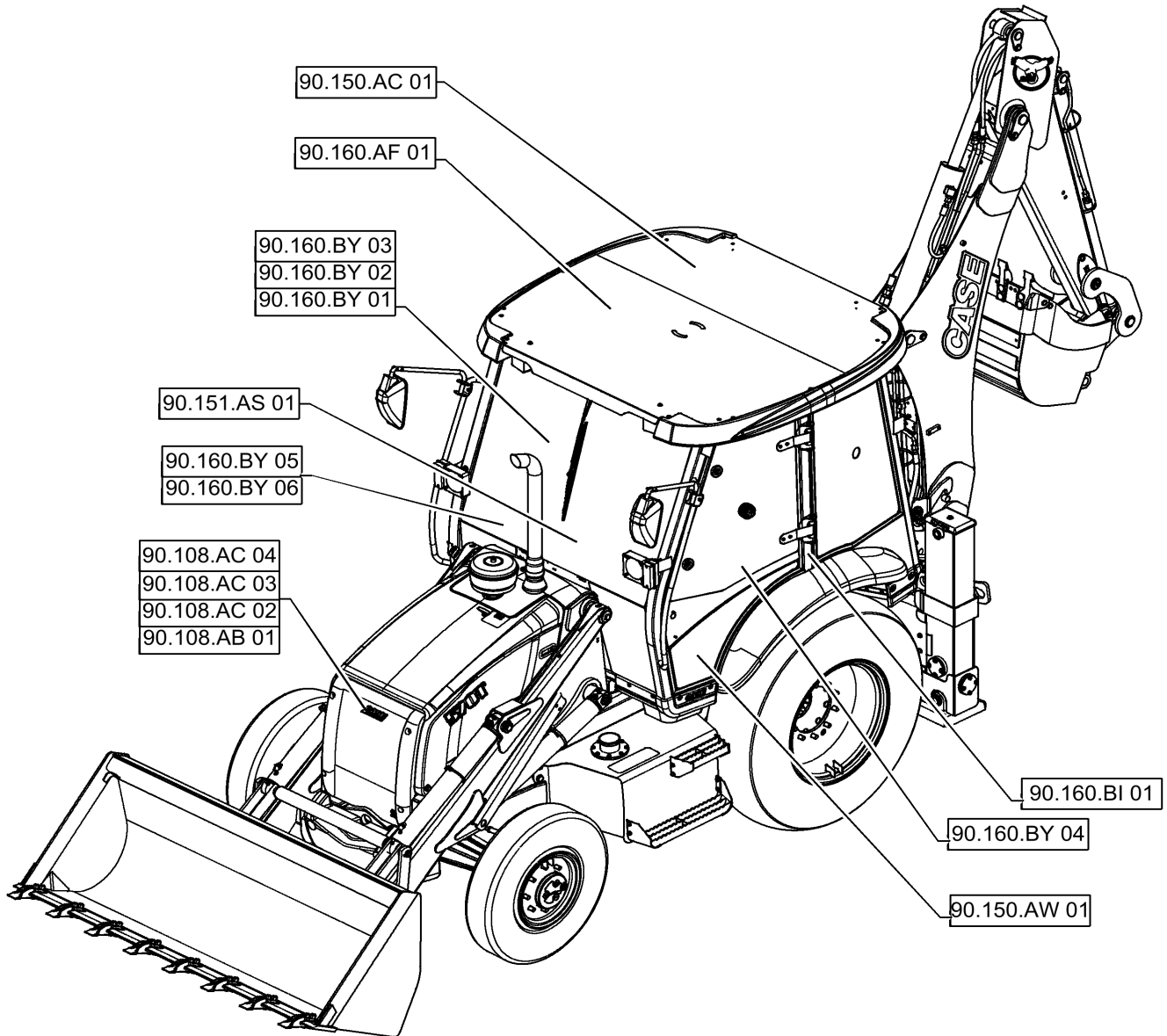
00.000.90

03

p1

5/2019

PICTORIAL INDEX - PLATFORM, CAB, BODYWORK AND DECALS



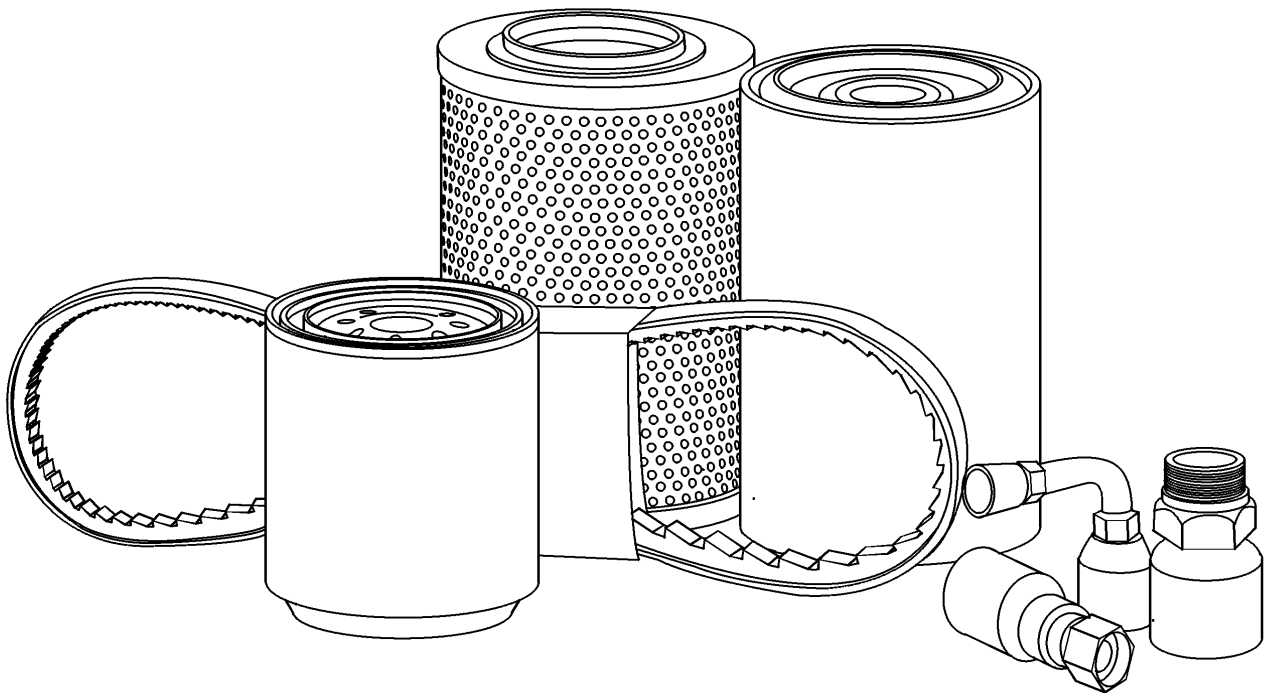
05.100.02

02

p1

5/2019

INITIAL STOCKING LIST (LIST B)



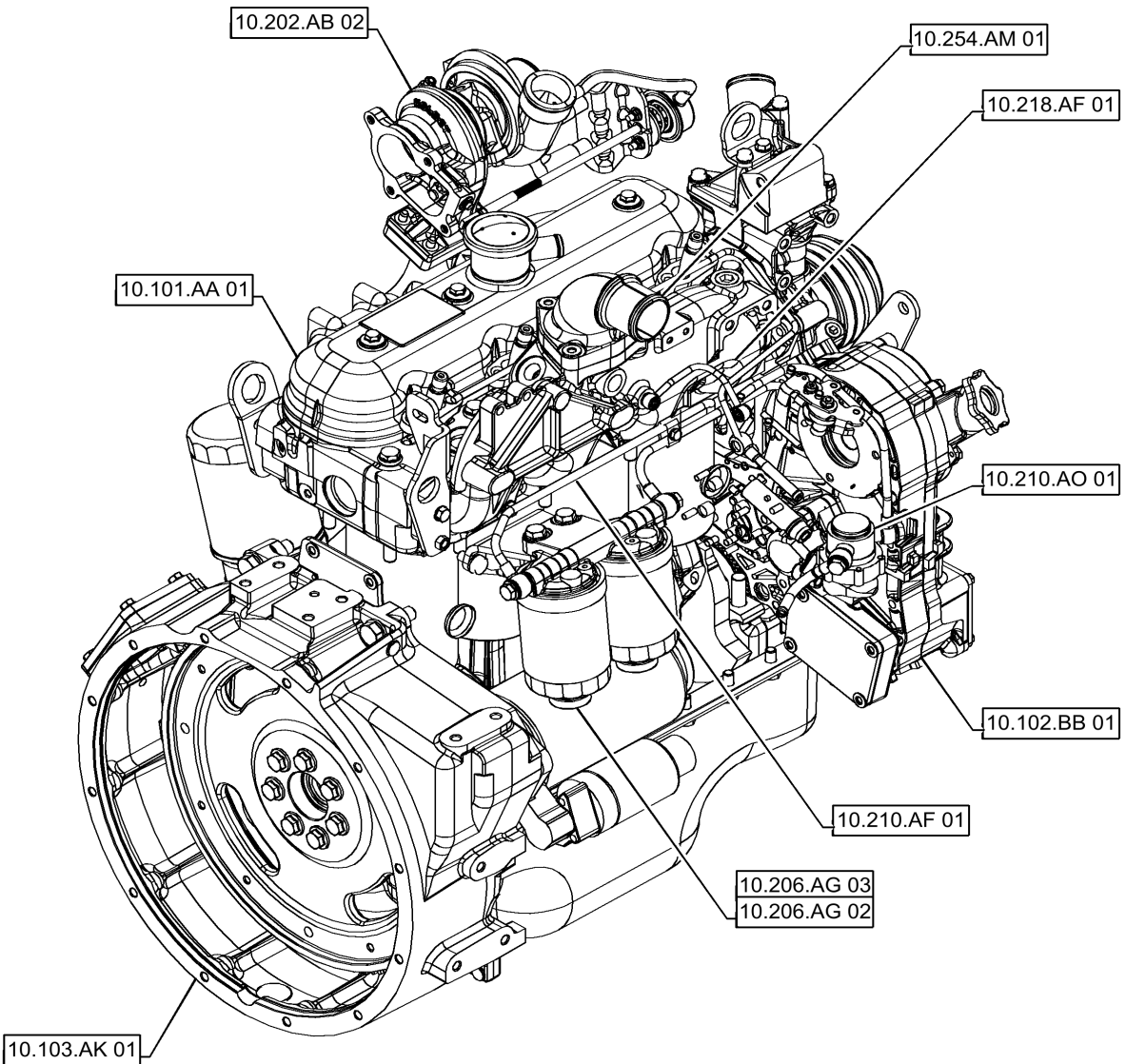
10.000.00

01

p1

5/2019

SECTION INDEX - ENGINE



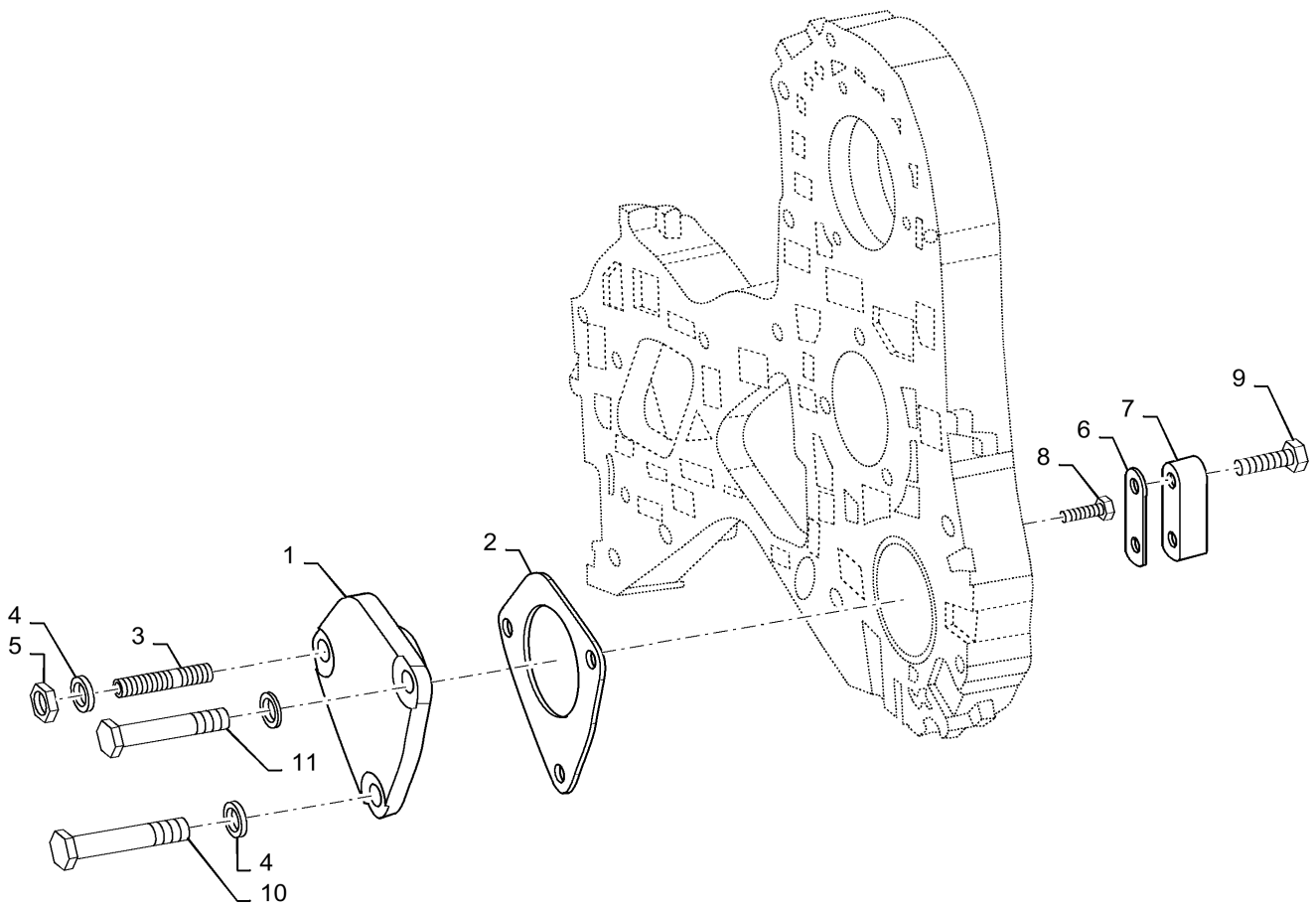
10.001.AM

01

p1

5/2019

ENGINE, SUPPORT AND PLATE



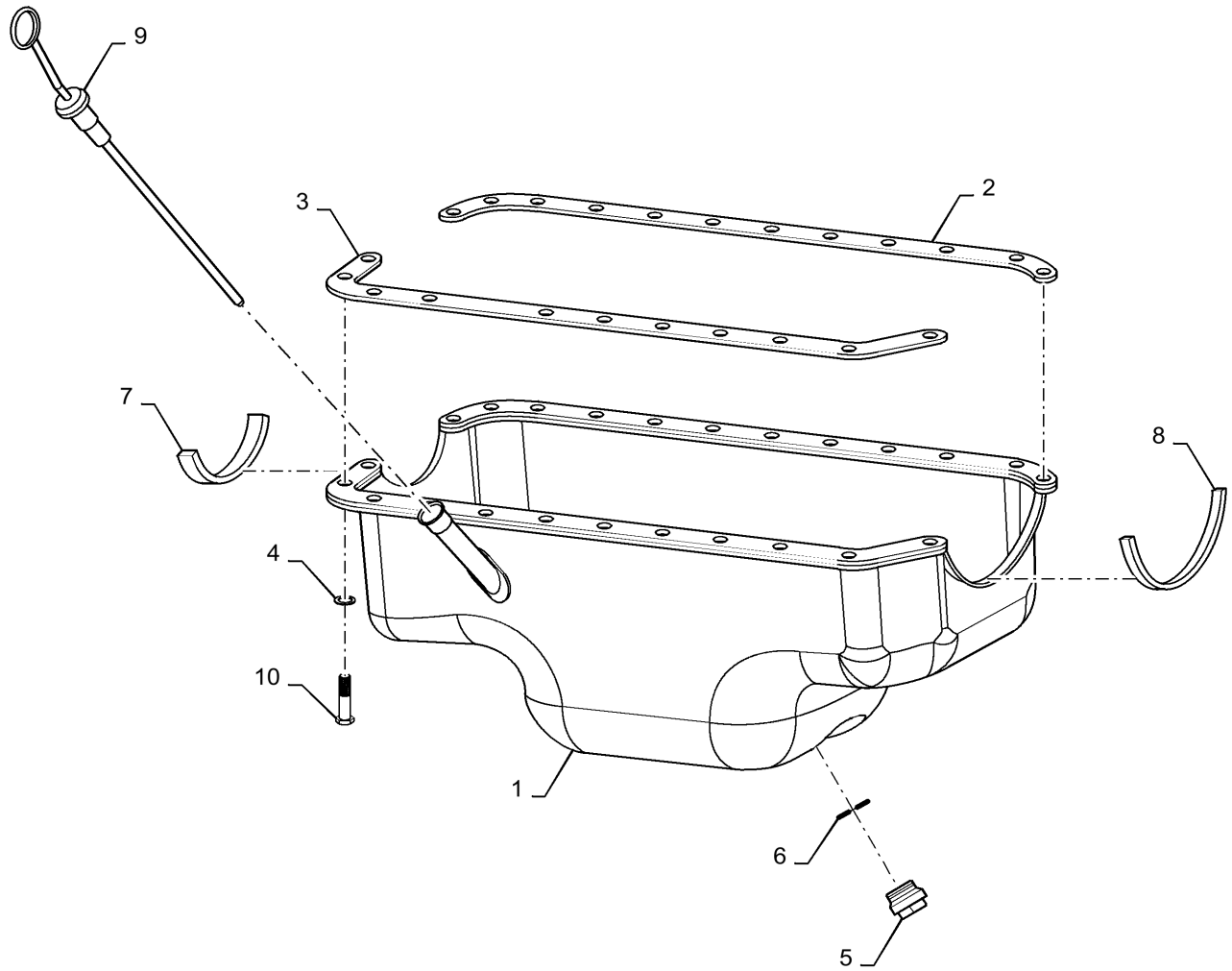
10.102.AP

01

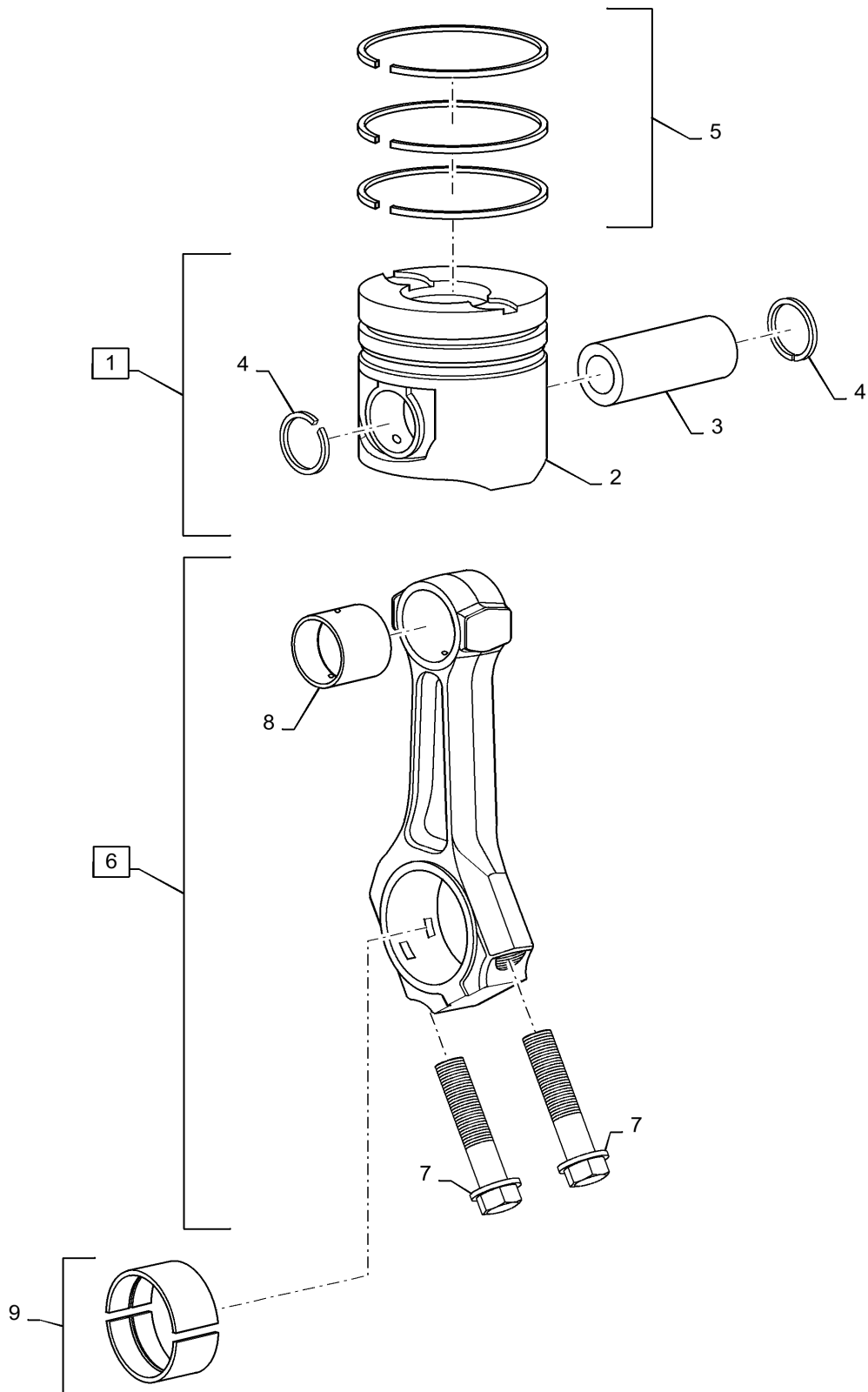
p1

5/2019

ENGINE, OIL PAN, DIPSTICK



ENGINE, CONNECTING ROD AND PISTON ASSY



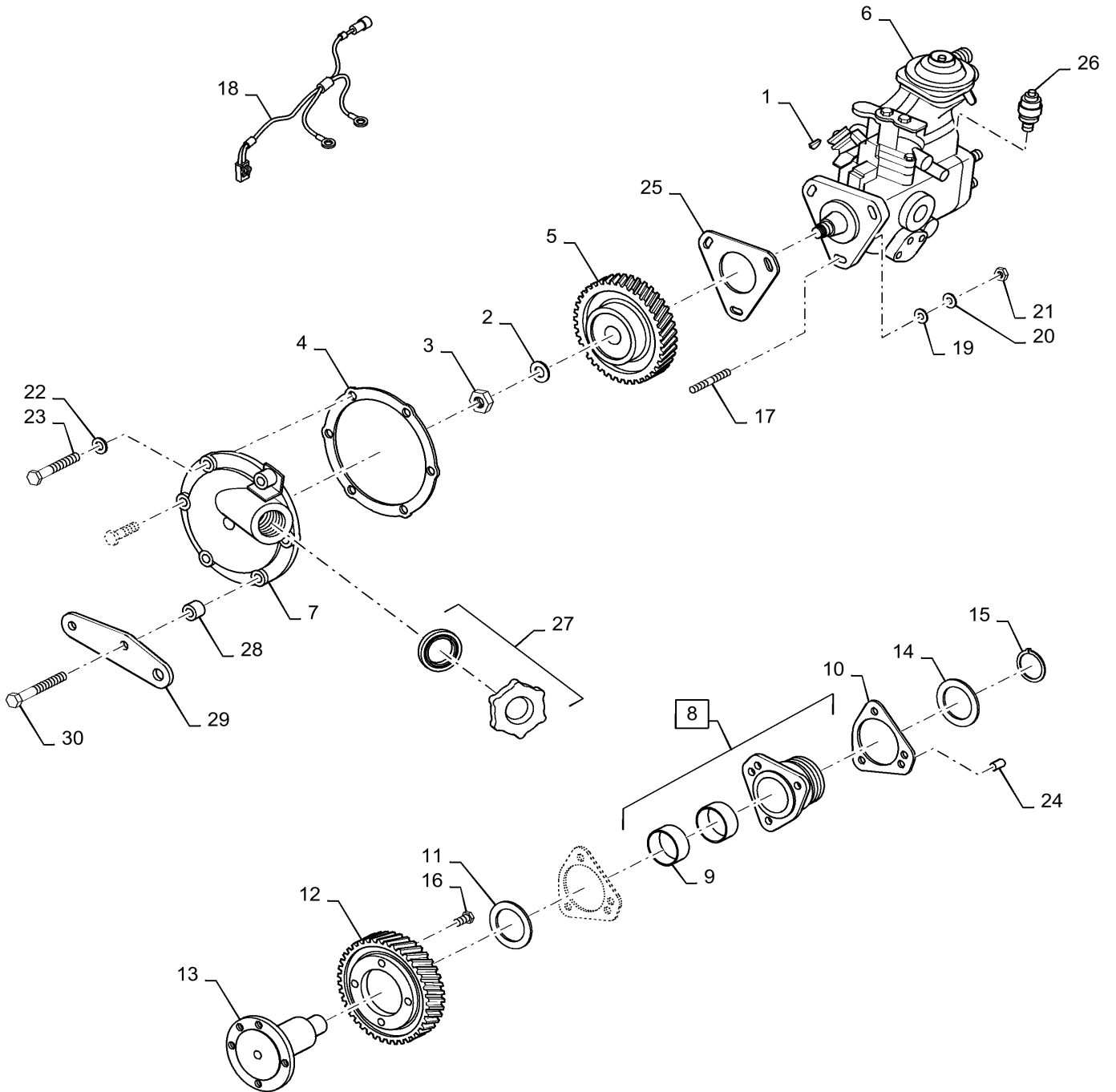
10.114.AB

01

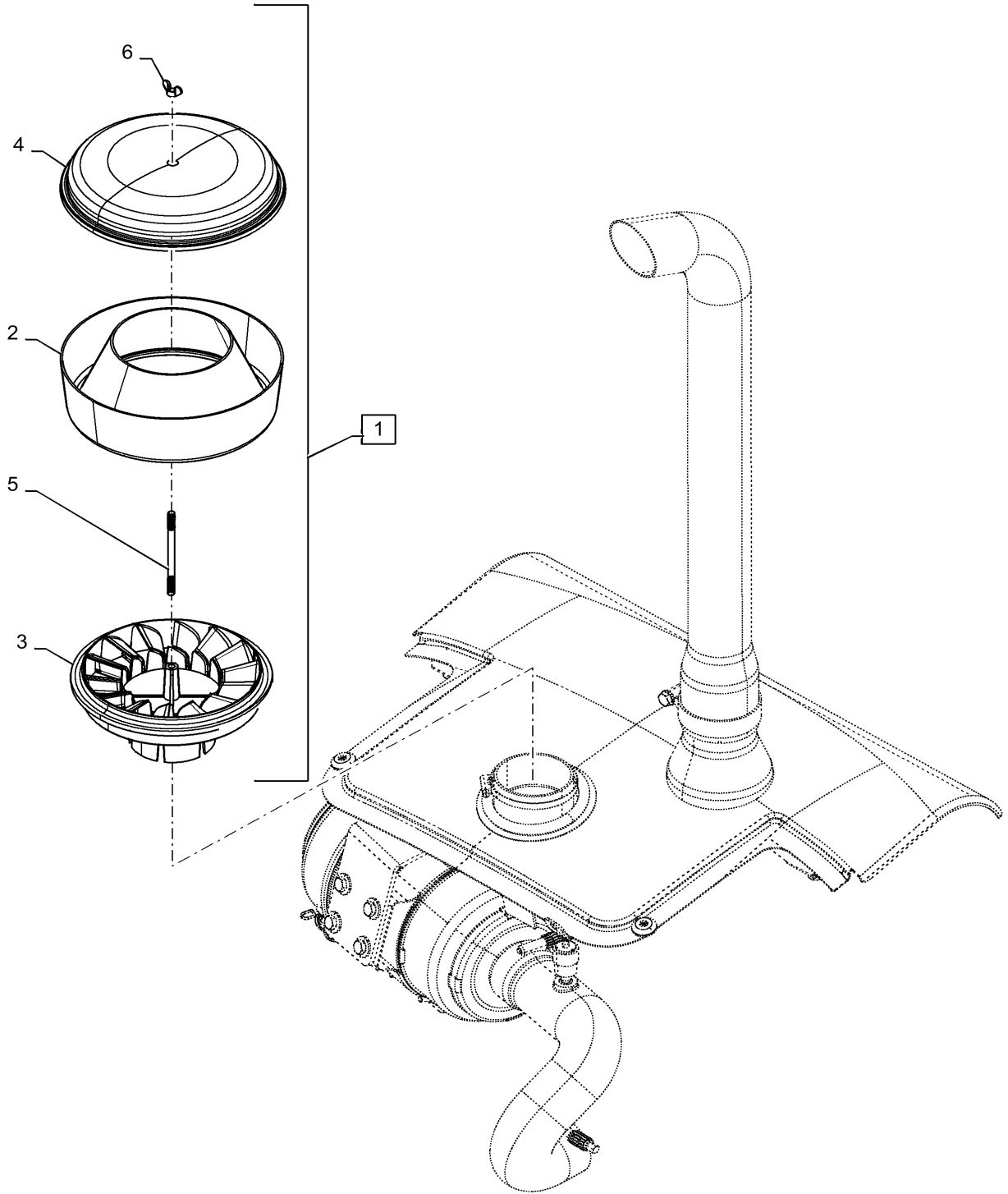
p2

5/2019

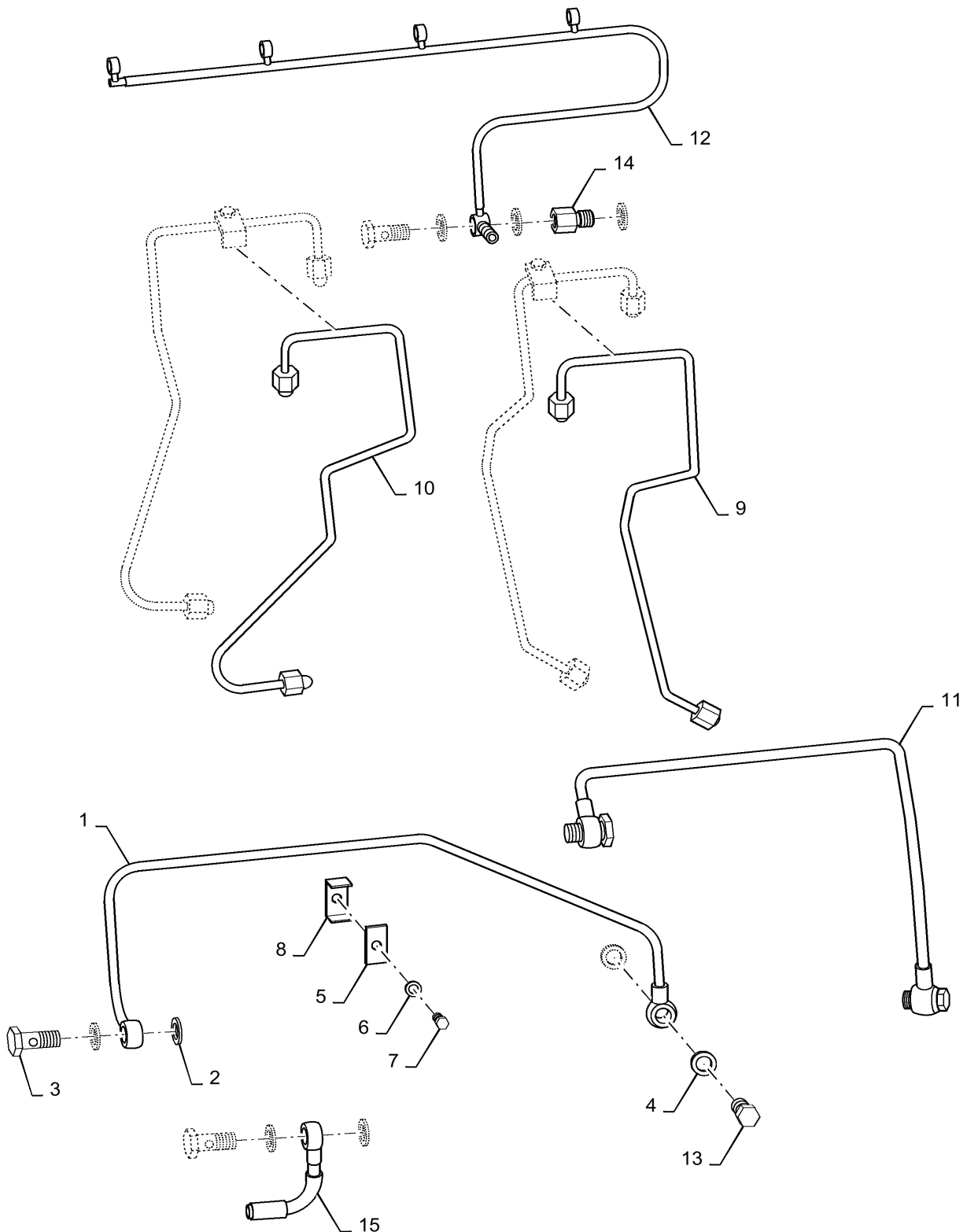
ENGINE, FUEL INJECTION PUMP AND TIMING GEARS, 86HP, HVAC



PRE CLEANER ASSY



ENGINE, FUEL LINE SYSTEMS



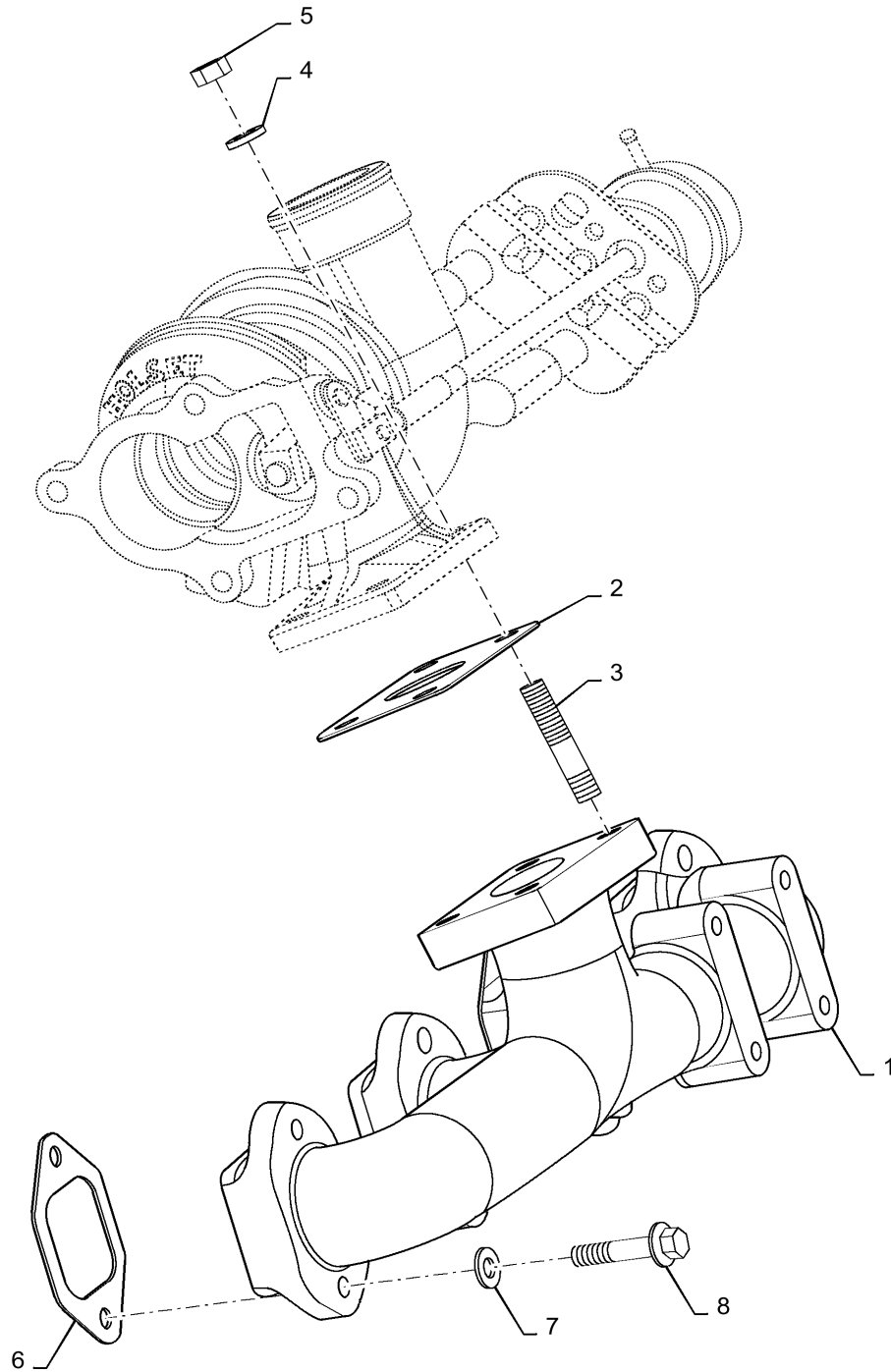
10.254.AC

01

p1

5/2019

ENGINE, TURBO EXHAUST MANIFOLD



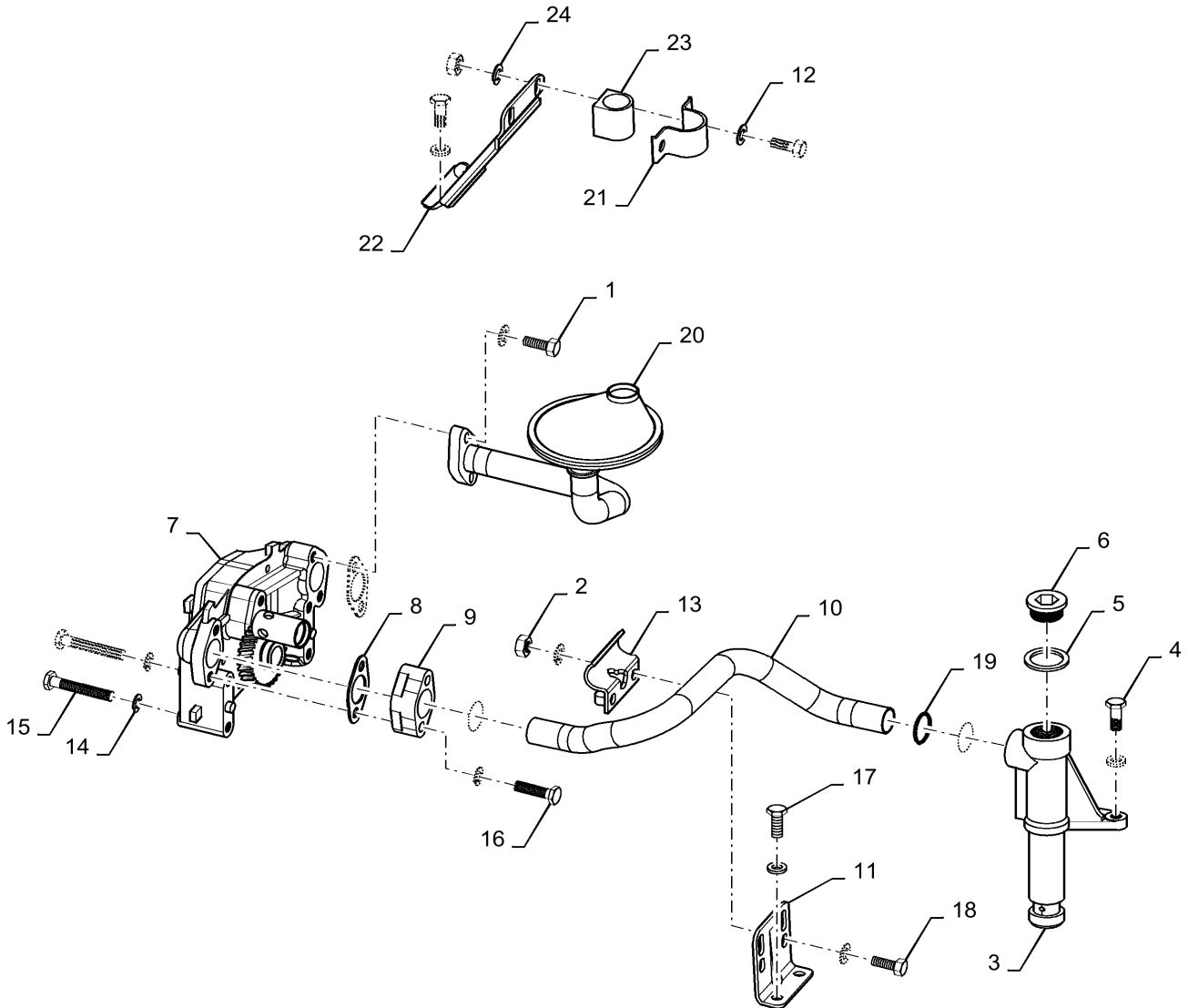
10.304.AC

01

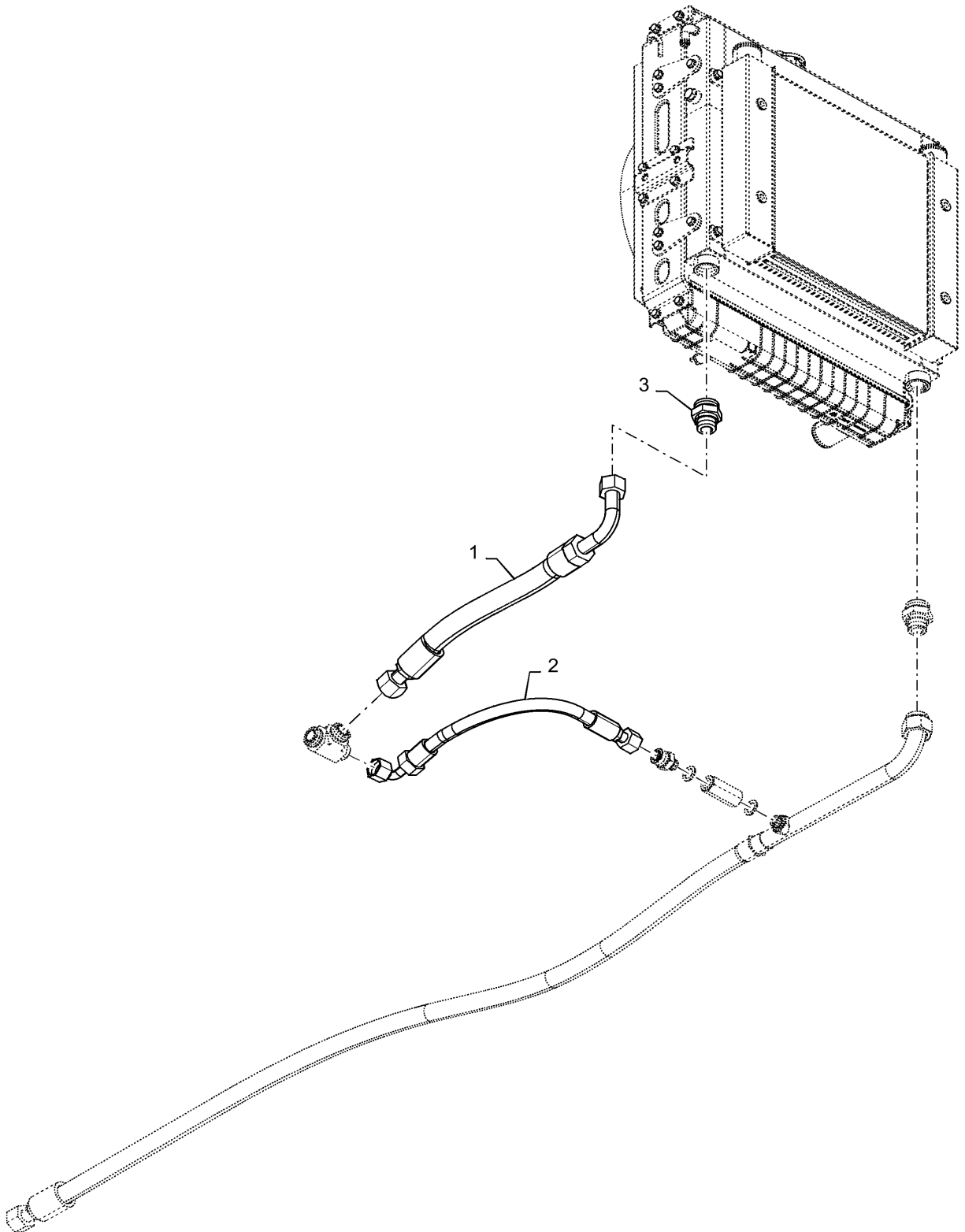
p2

5/2019

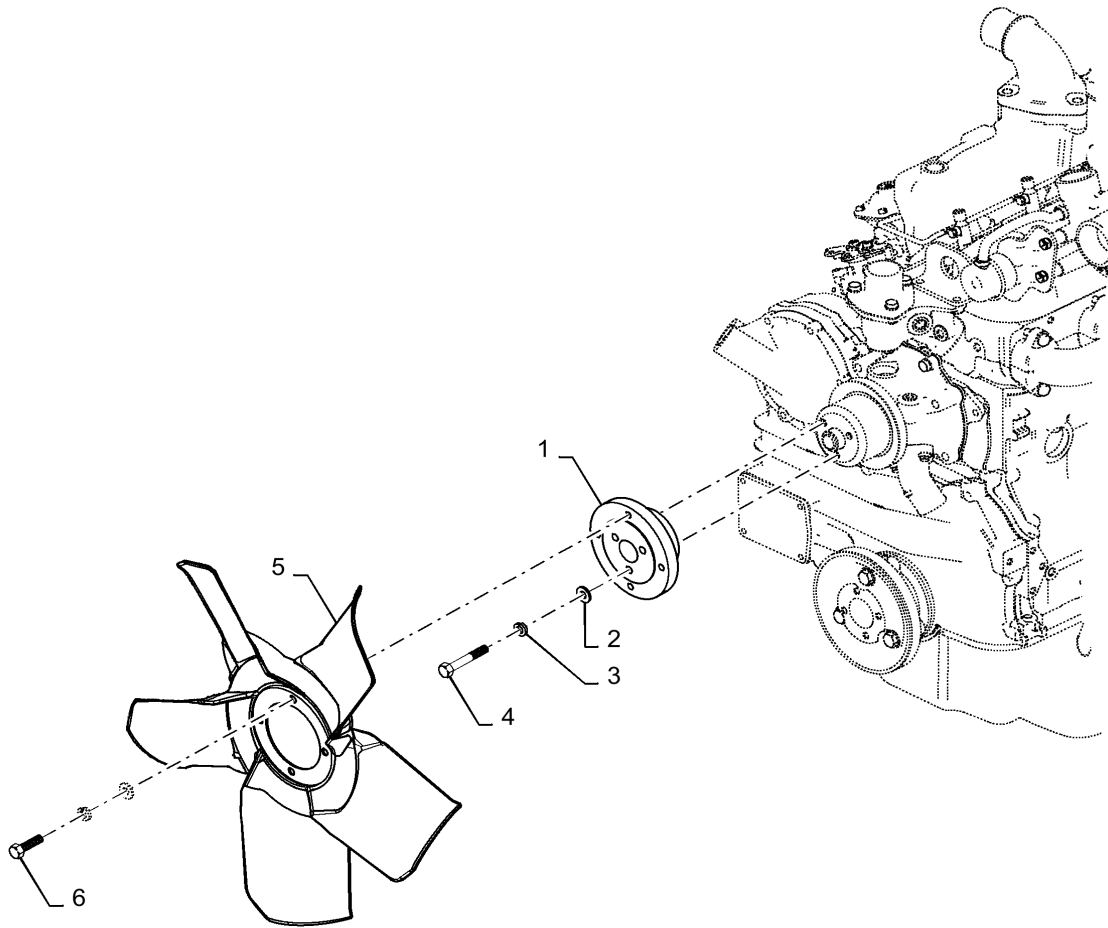
ENGINE, OIL PUMP ASSY



HYDRAULIC OIL COOLER CIRCUIT



FAN ASSY



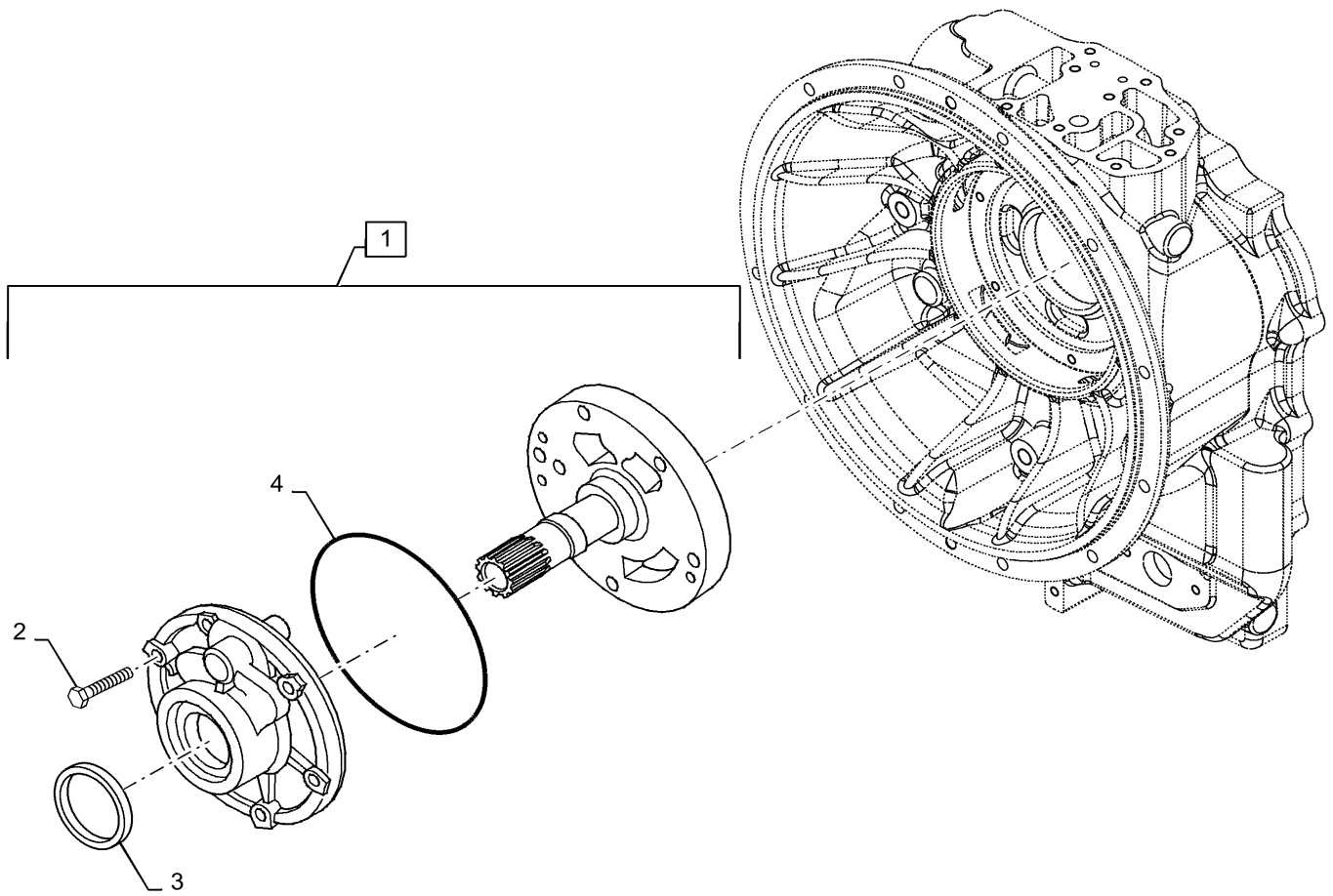
21.104.AL

01

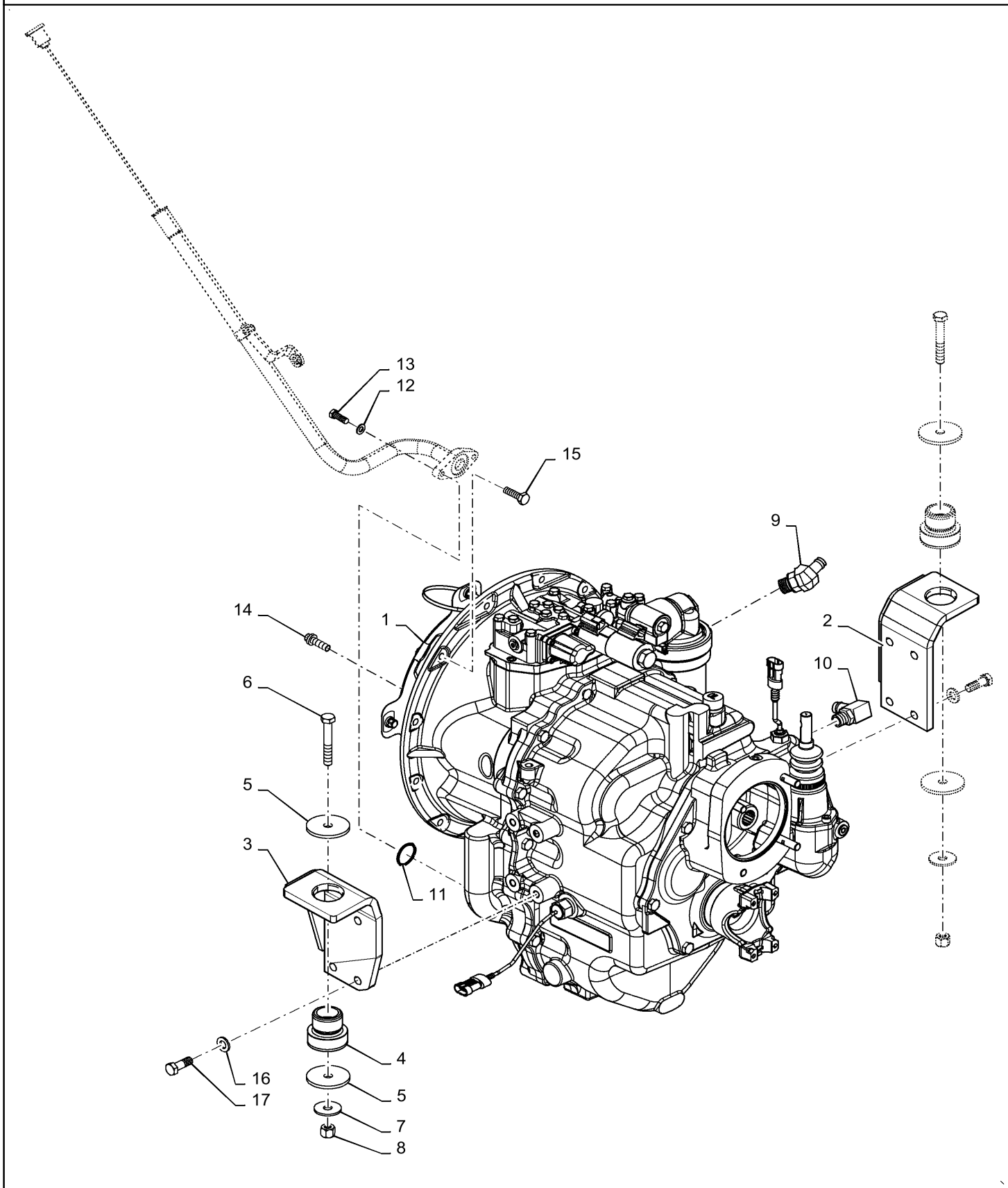
p1

5/2019

CHARGE PUMP 2WD AND 4WD



TRANSMISSION AND MOUNTINGS - 4WD, LIVERY



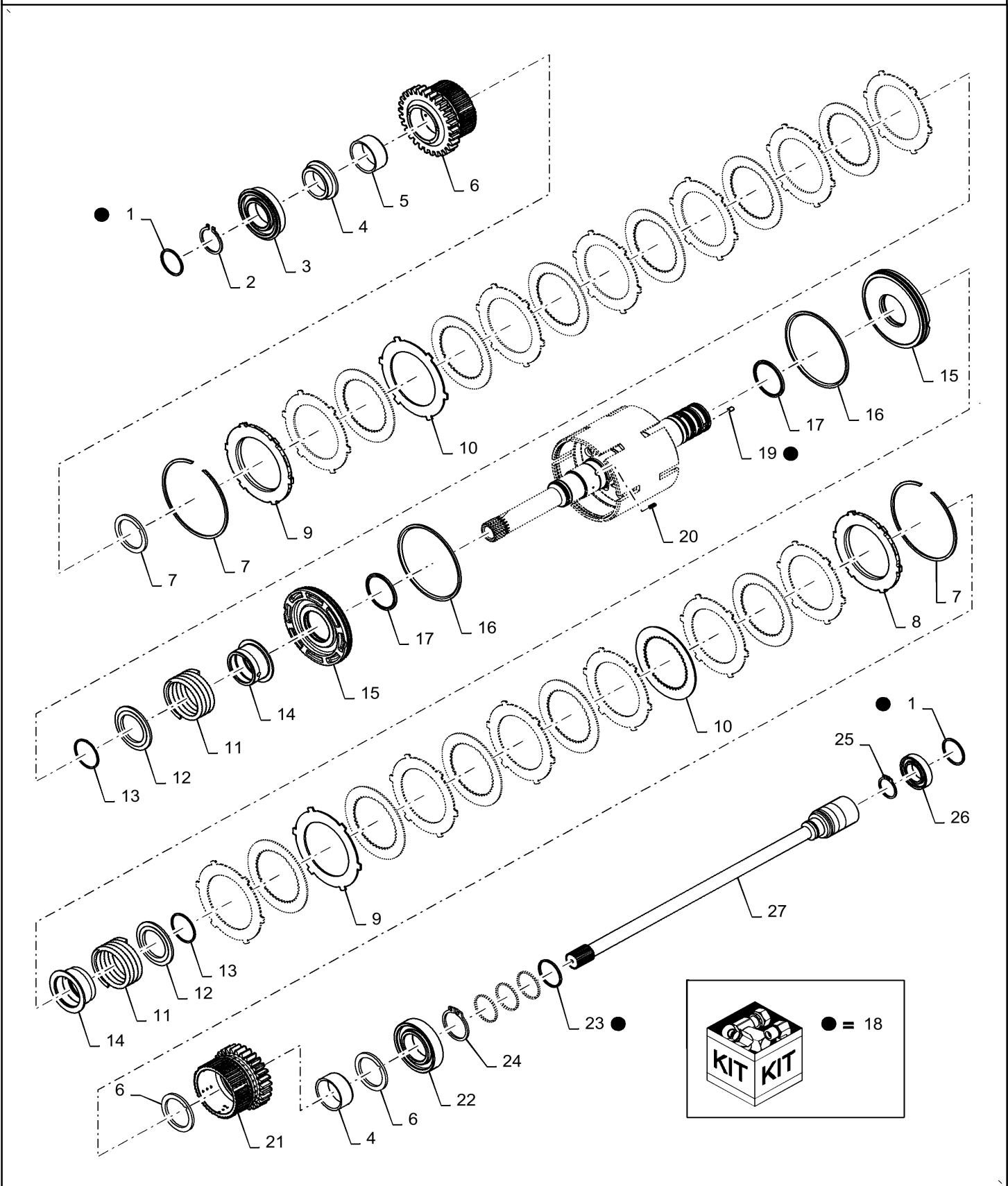
21.154.AJ

01

p1

5/2019

INPUT AND PTO TRANSMISSION SHAFT, 2WD AND 4WD



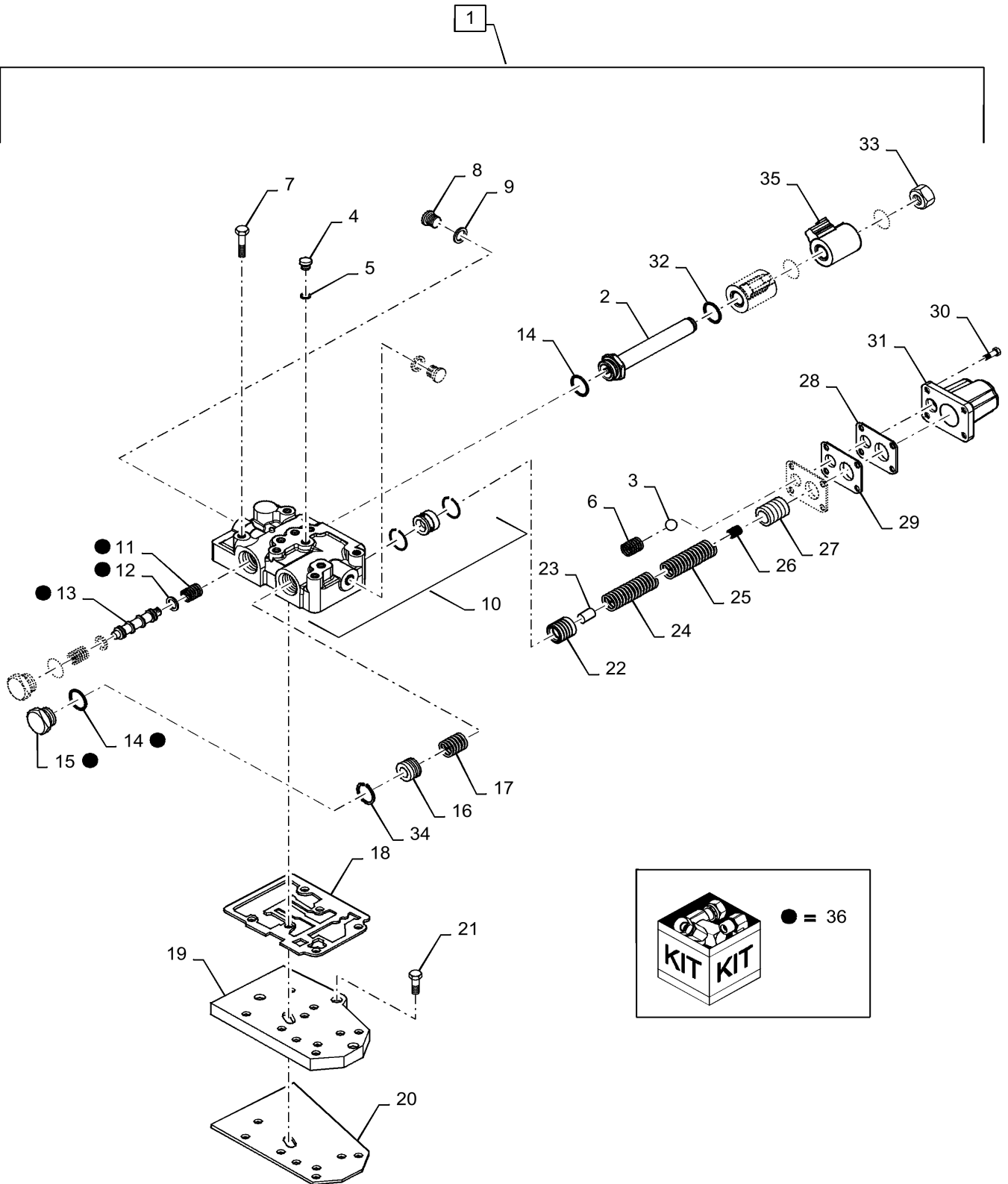
21.154.AL

02

p1

5/2019

CONTROL VALVE, 2WD AND 4WD



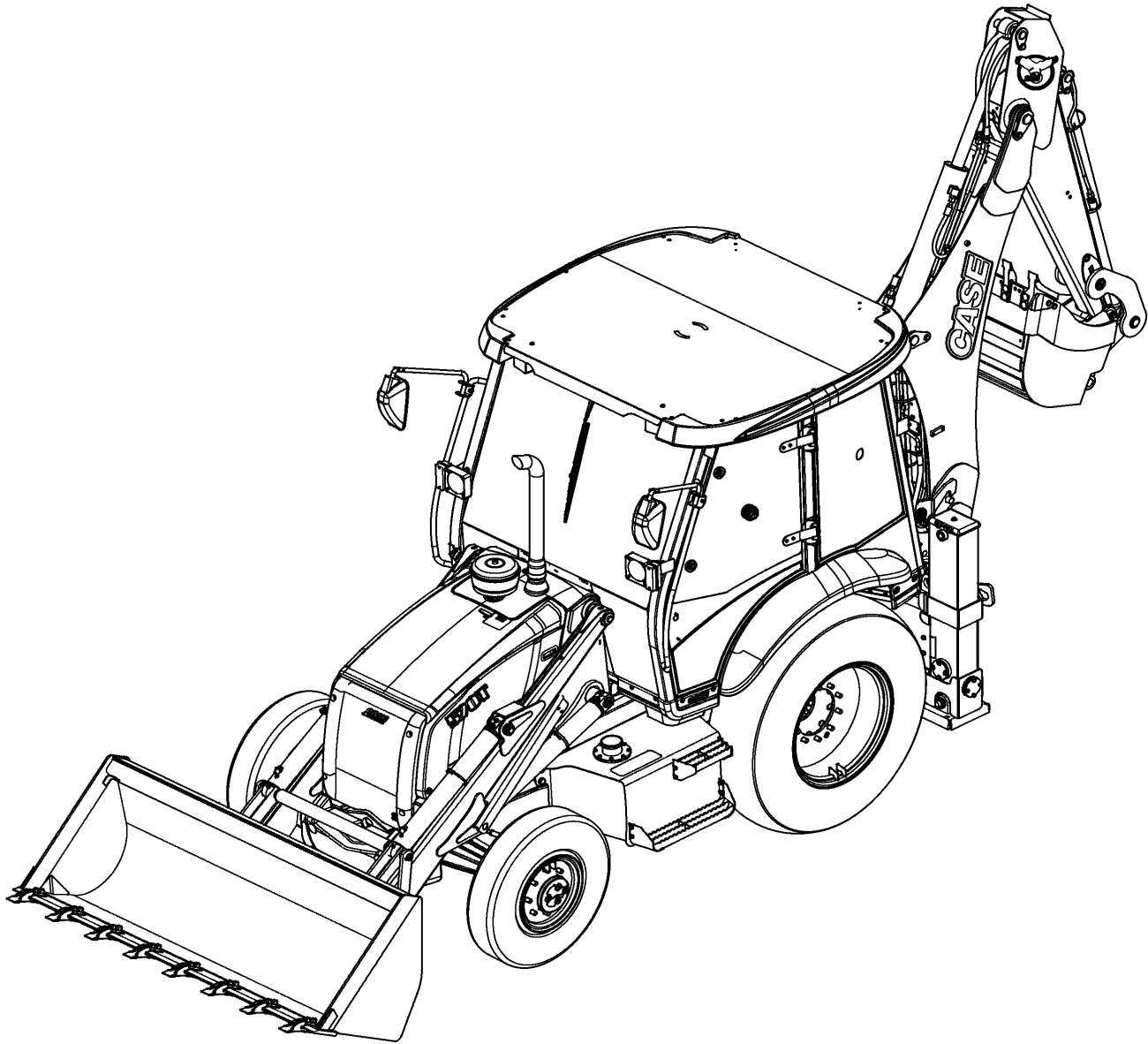
25.000.00

01

p1

5/2019

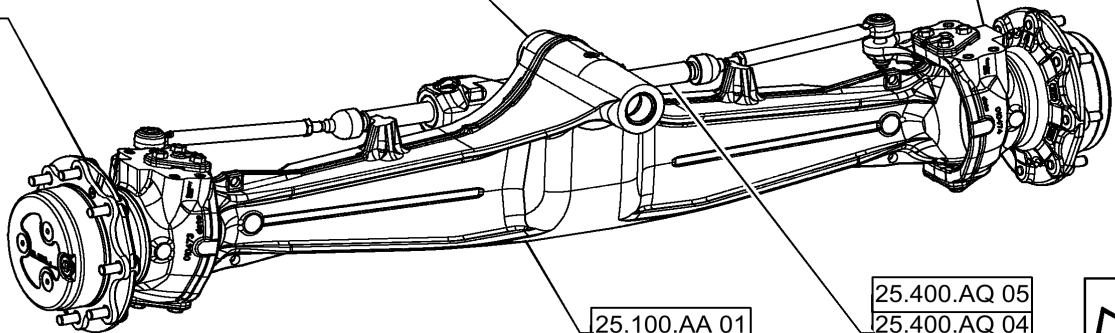
SECTION INDEX - FRONT AXLE SYSTEM



25.400.AQ 02

25.400.AQ 01
25.400.AF 01

25.400.AQ 03

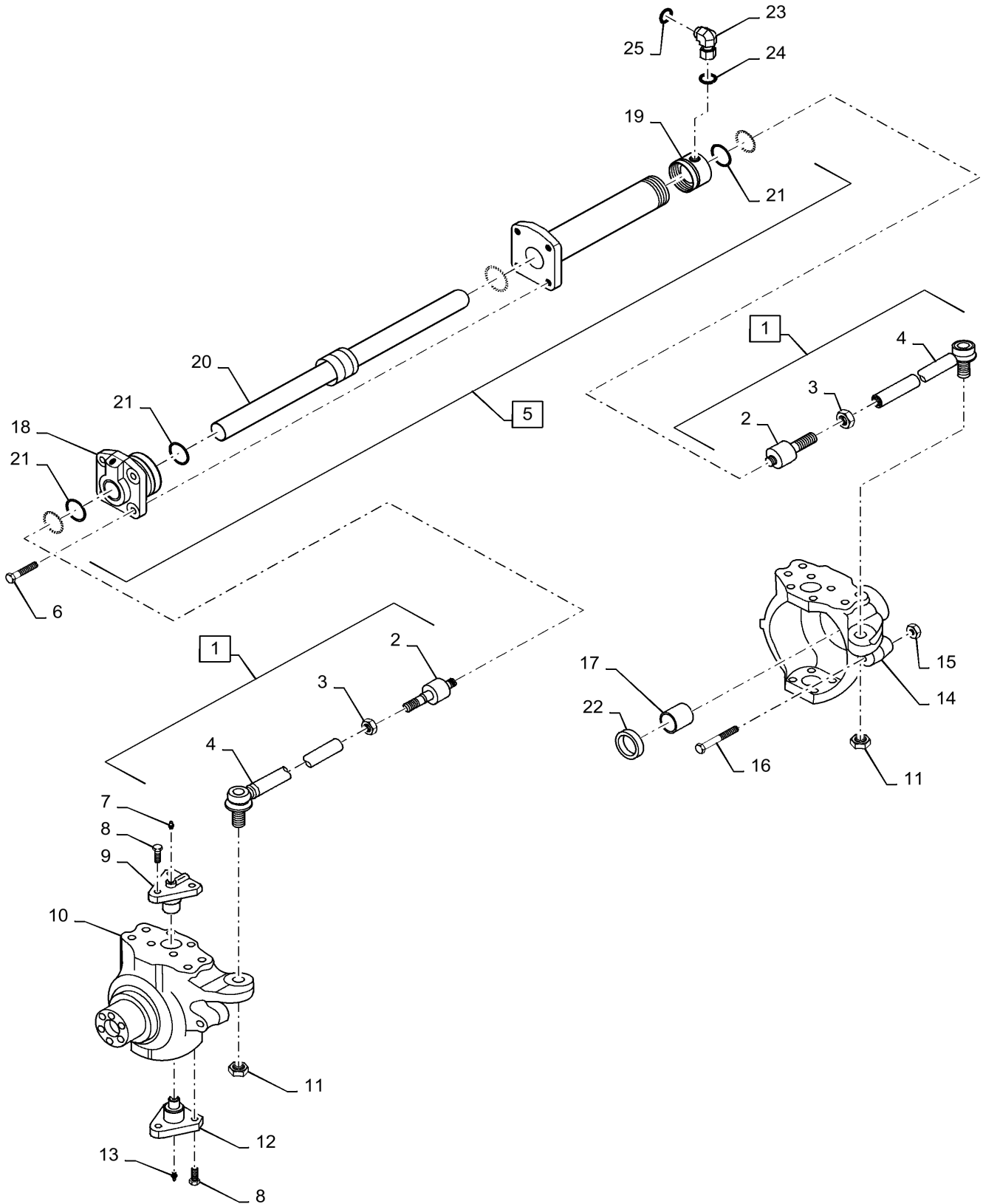


25.100.AA 01

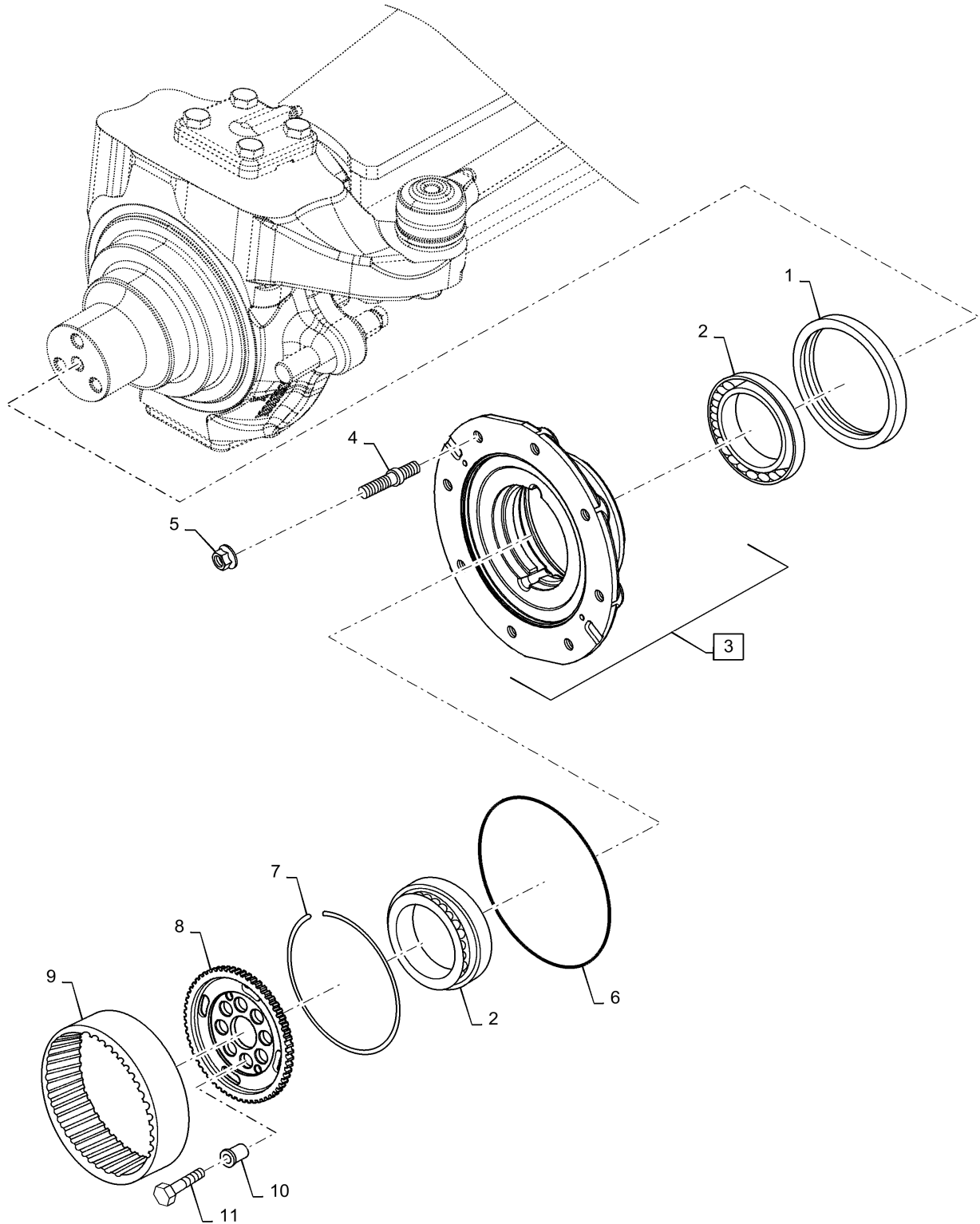
25.400.AQ 05
25.400.AQ 04



SWIVEL HOUSINGS AND STEERING CYLINDER, 4WD



WHEEL HUB, 4WD



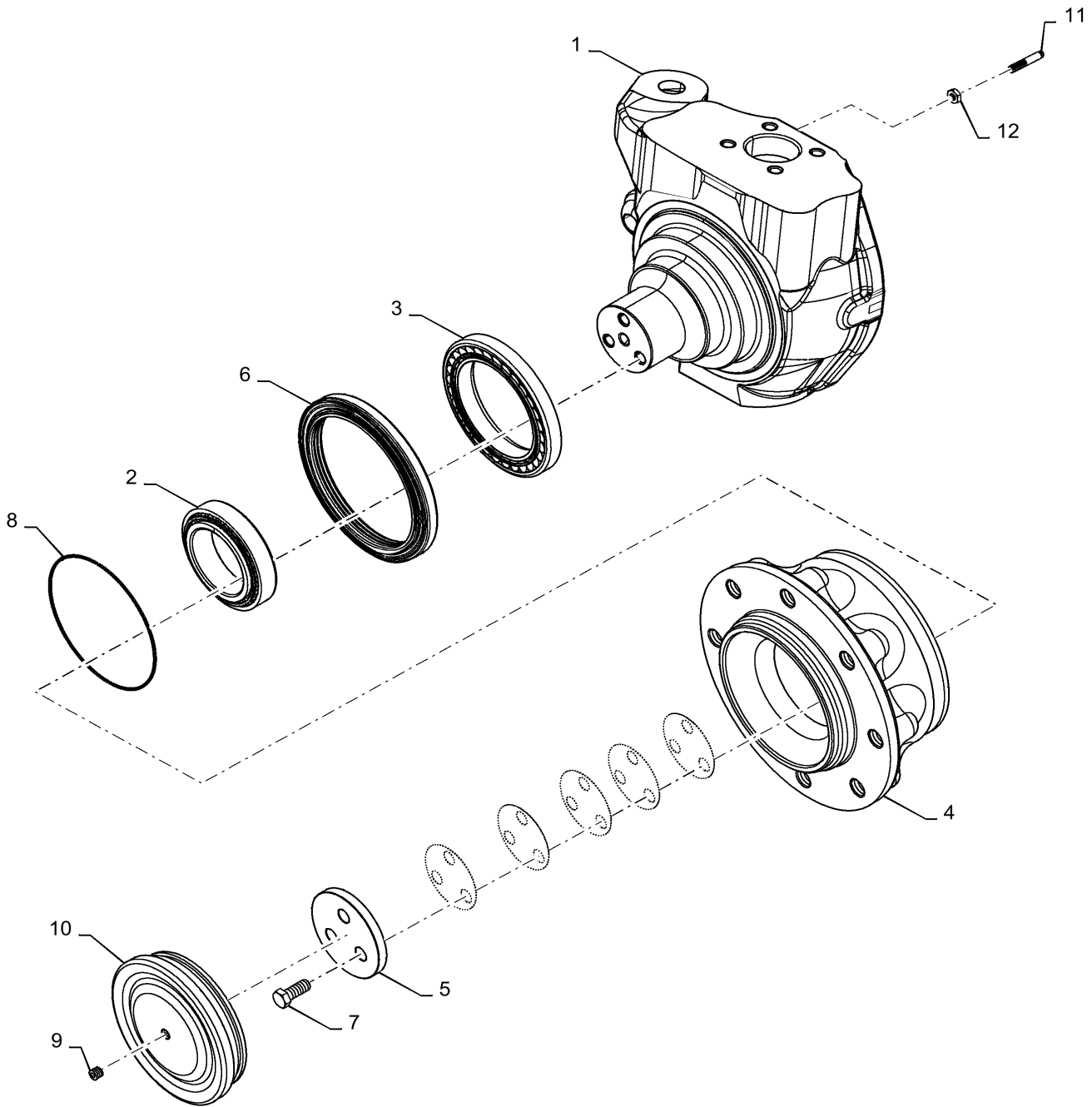
25.400.AQ

03

p1

5/2019

FRONT AXLE, KNUCKLE ASSY, RH



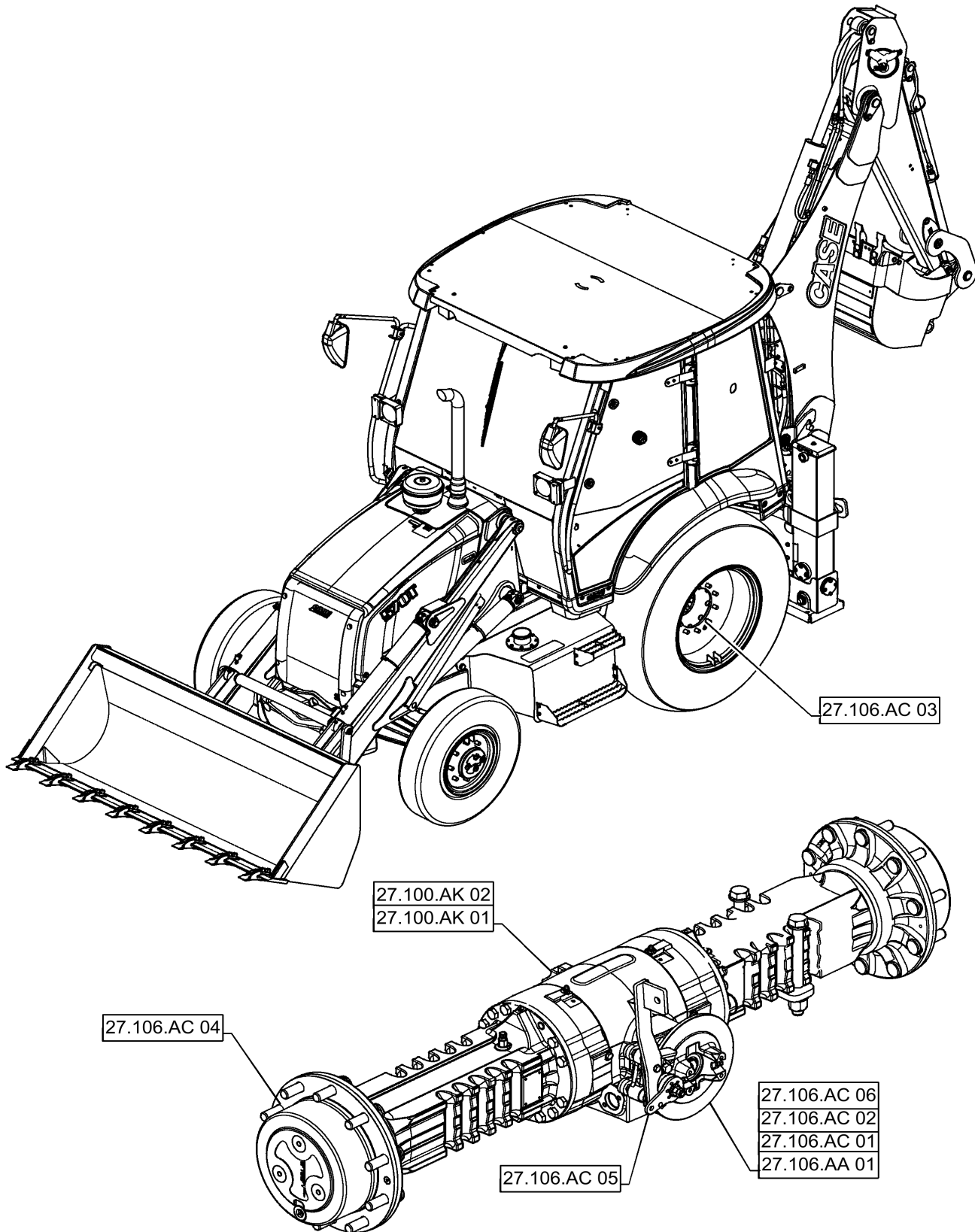
27.000.00

01

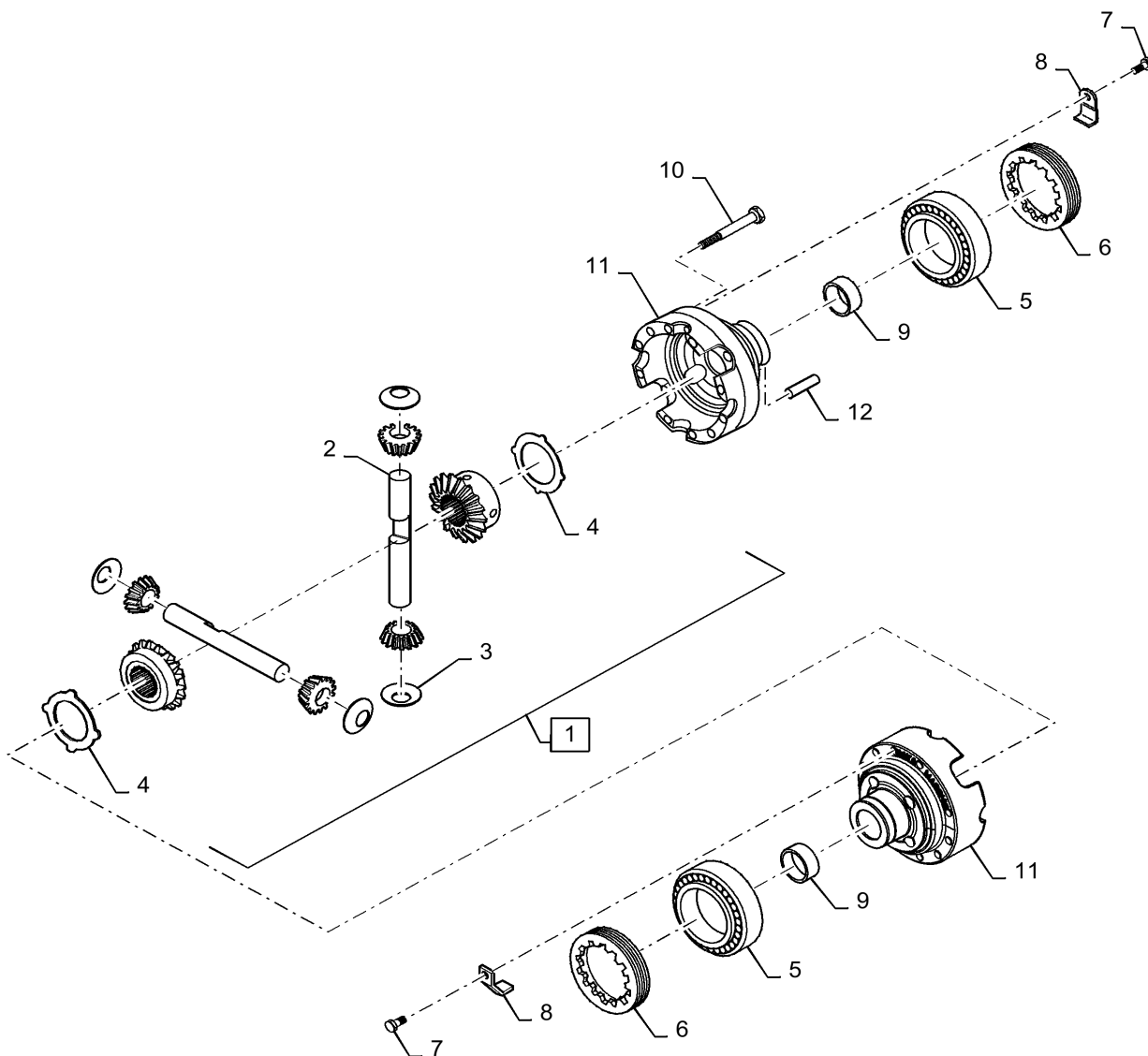
p1

5/2019

SECTION INDEX - REAR AXLE SYSTEM



REAR AXLE, DIFFERENTIAL

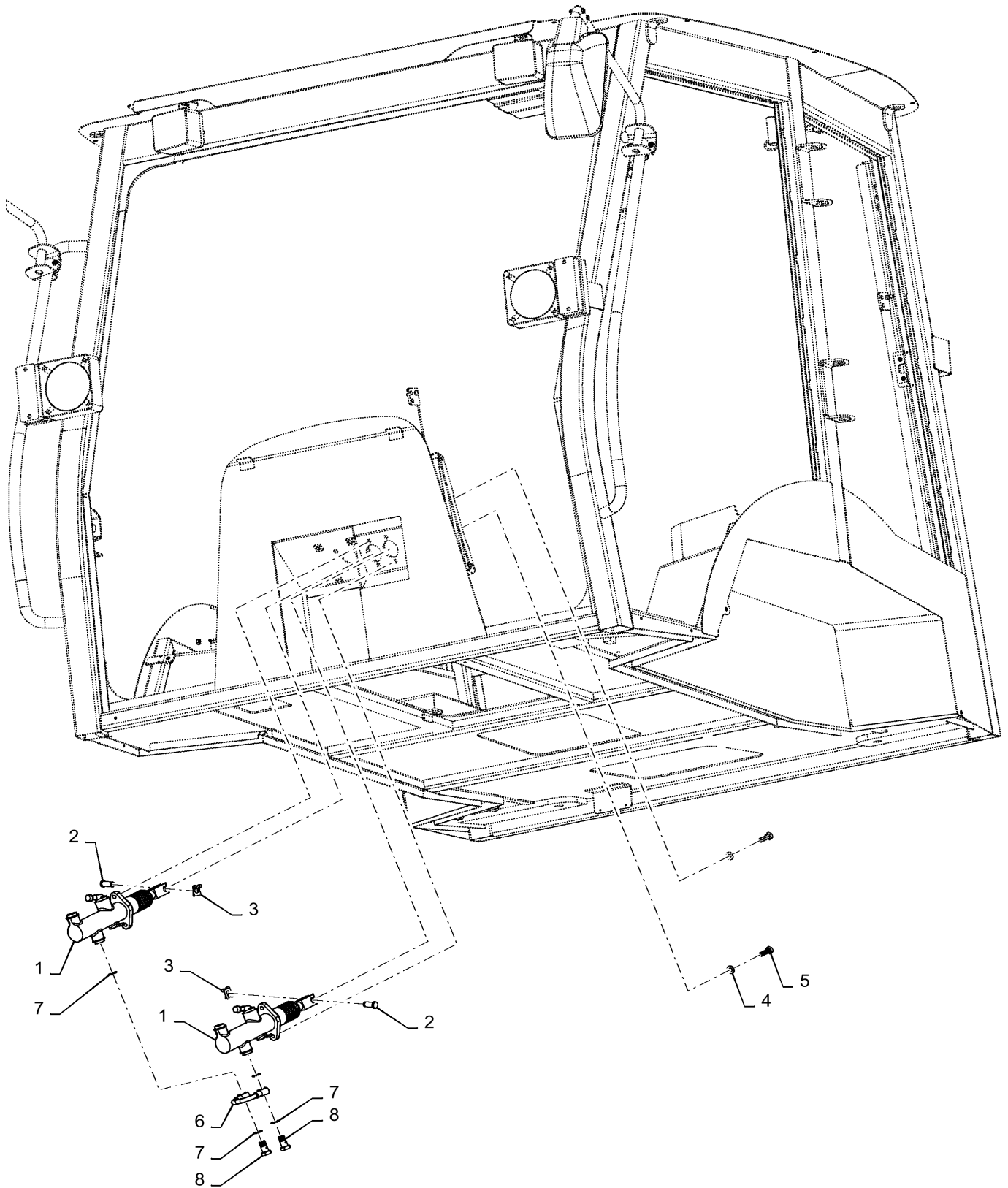


SECTION INDEX

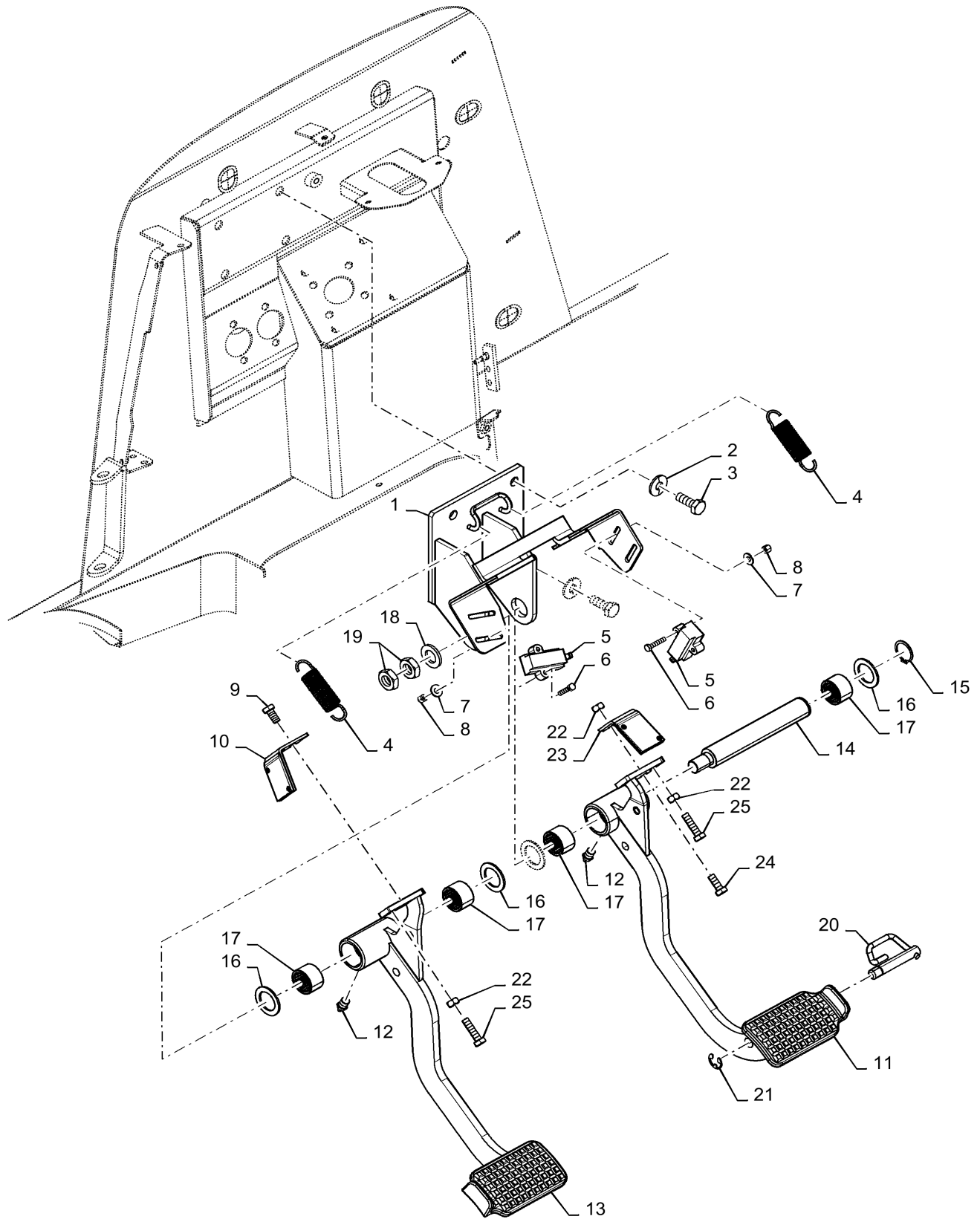
BRAKES & CONTROLS

33.000.00	01	SECTION INDEX - BRAKES & CONTROLS
33.000.00	01	SECTION INDEX - BRAKES & CONTROLS
33.110.BK	01	PARKING BRAKE ASSY
33.110.BK	02	THROTTLE PEDAL AND HAND LEVER ASSY
33.202.AR	01	BRAKE MASTER CYLINDER
33.202.AR	02	BRAKE MASTER CYLINDER
33.202.AR	03	BRAKE MASTER CYLINDER
33.202.BN	01	BRAKE PEDALS
33.202.BN	02	BRAKE PEDALS

BRAKE MASTER CYLINDER



BRAKE PEDALS



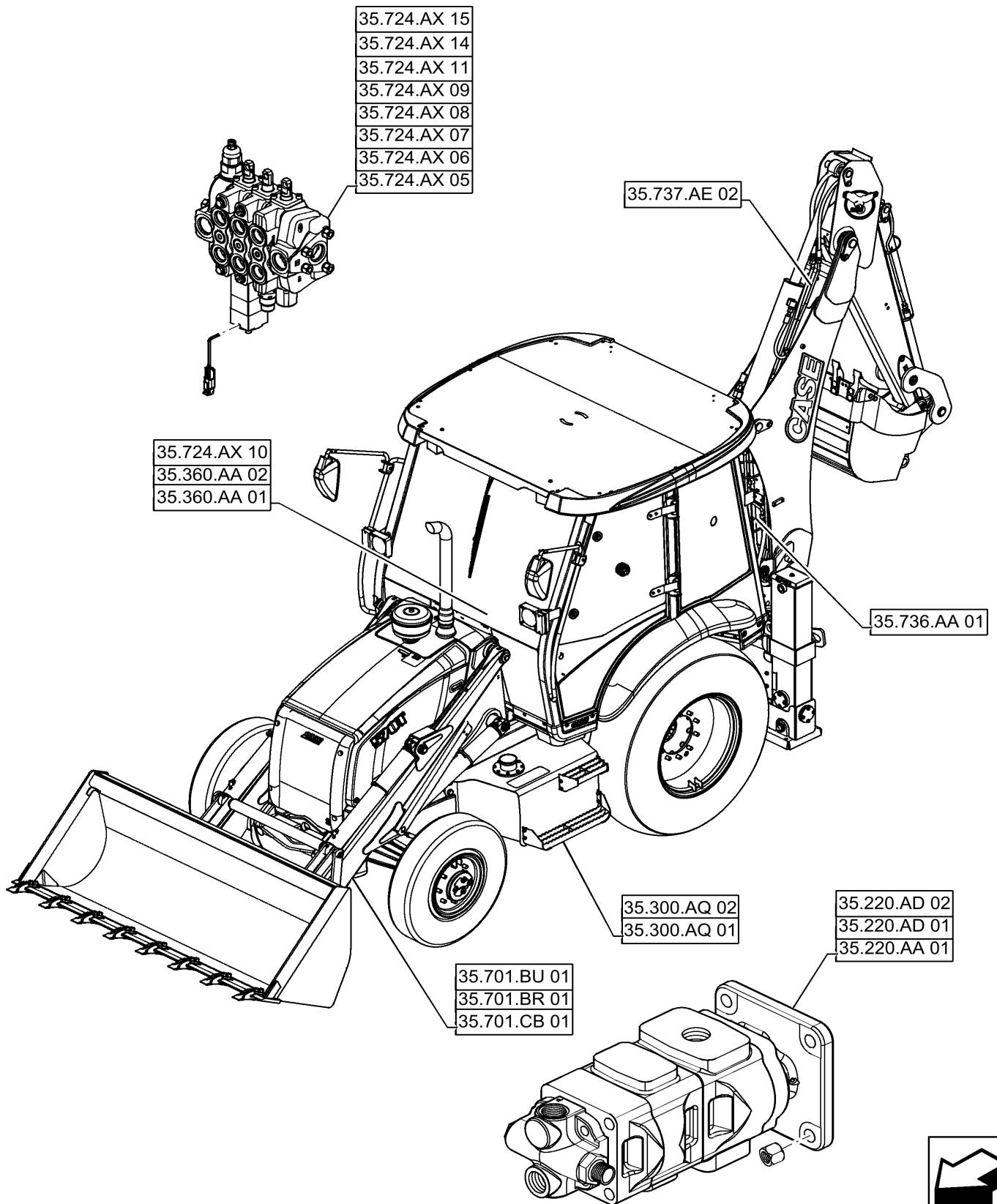
35.000.00

02

p1

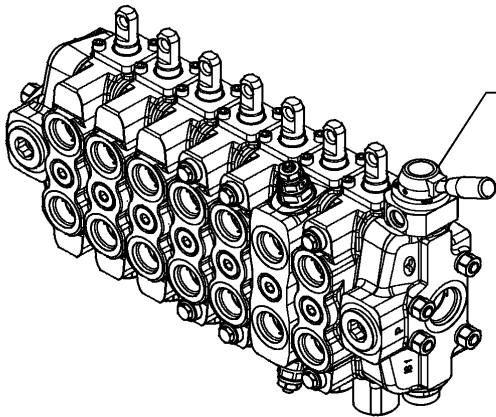
5/2019

SECTION INDEX - HYDRAULIC SYSTEMS



SECTION INDEX - HYDRAULIC SYSTEMS

- 35.726.AX 15
- 35.726.AX 14
- 35.726.AX 13
- 35.726.AX 12
- 35.726.AX 11
- 35.726.AX 10
- 35.726.AX 09
- 35.726.AX 08
- 35.726.AX 07
- 35.726.AX 05
- 35.726.AX 04
- 35.726.AX 03
- 35.726.AX 02
- 35.726.AX 01



35.737.AE 01

35.738.AA 02
35.738.AA 01

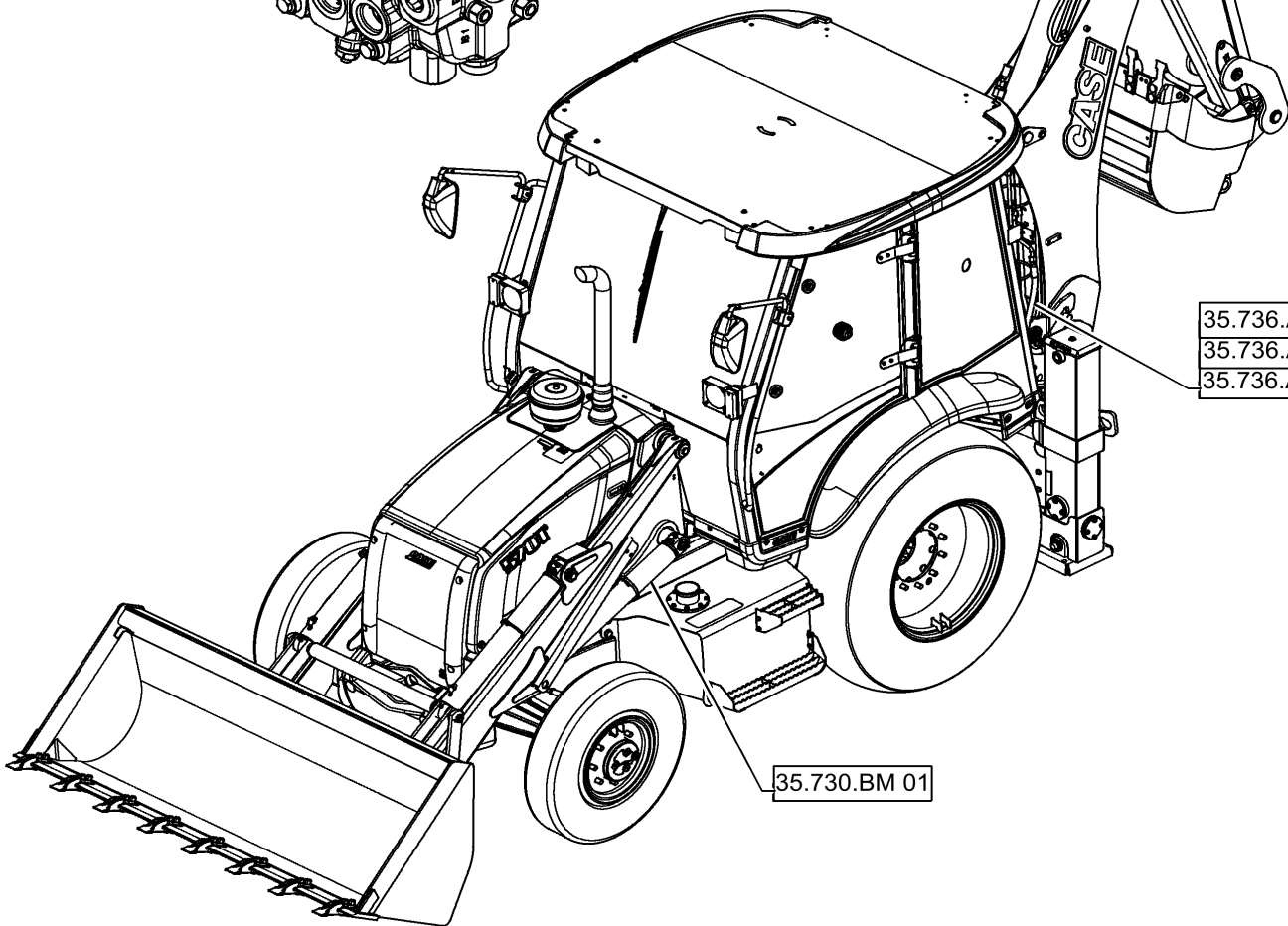
35.738.AE 05

35.738.AE 03
35.738.AE 04

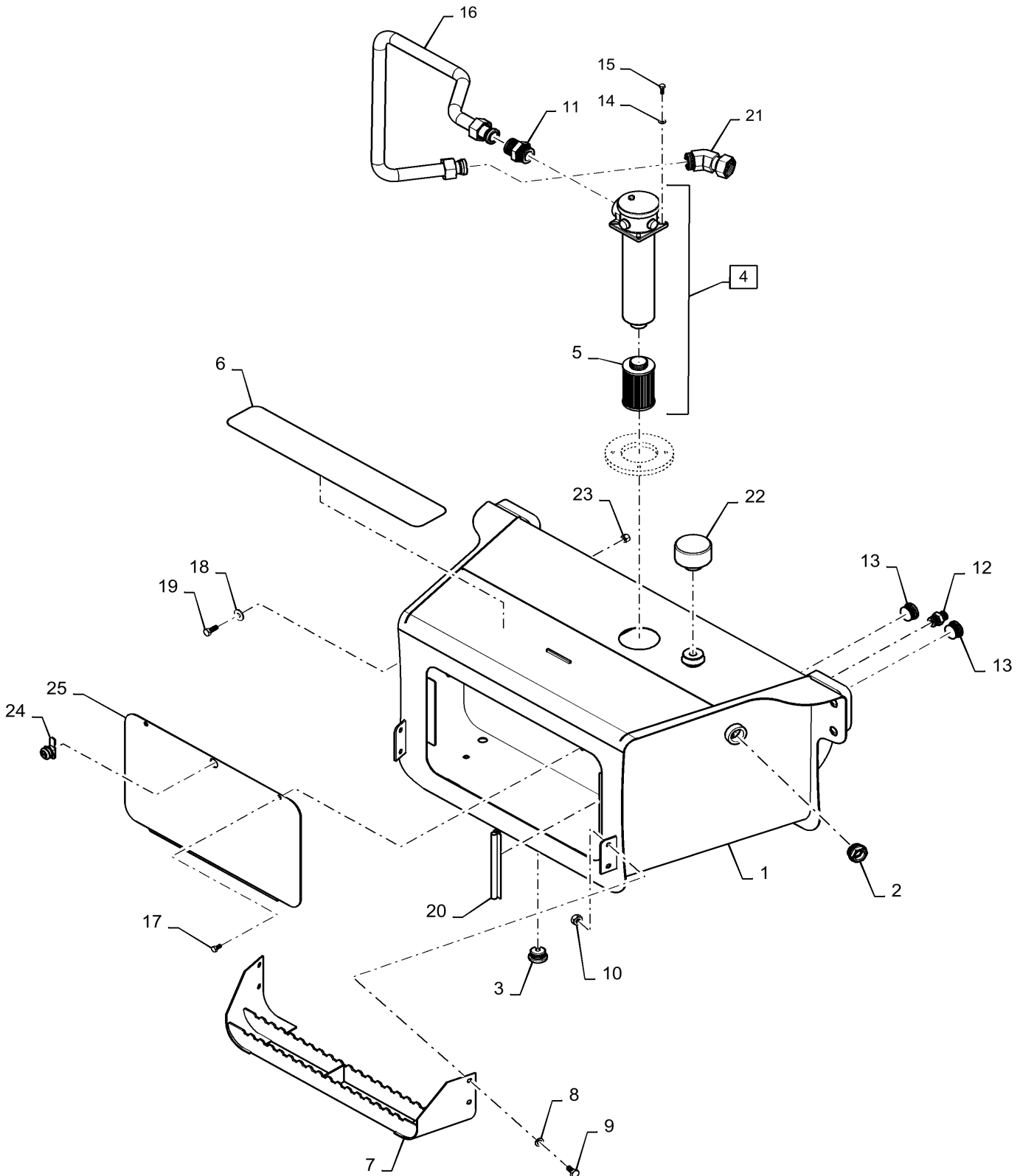
35.738.AE 02
35.738.AE 01

35.736.AA 03
35.736.AA 02
35.736.AC 01

35.730.BM 01



HYDRAULIC OIL TANK AND FILTER



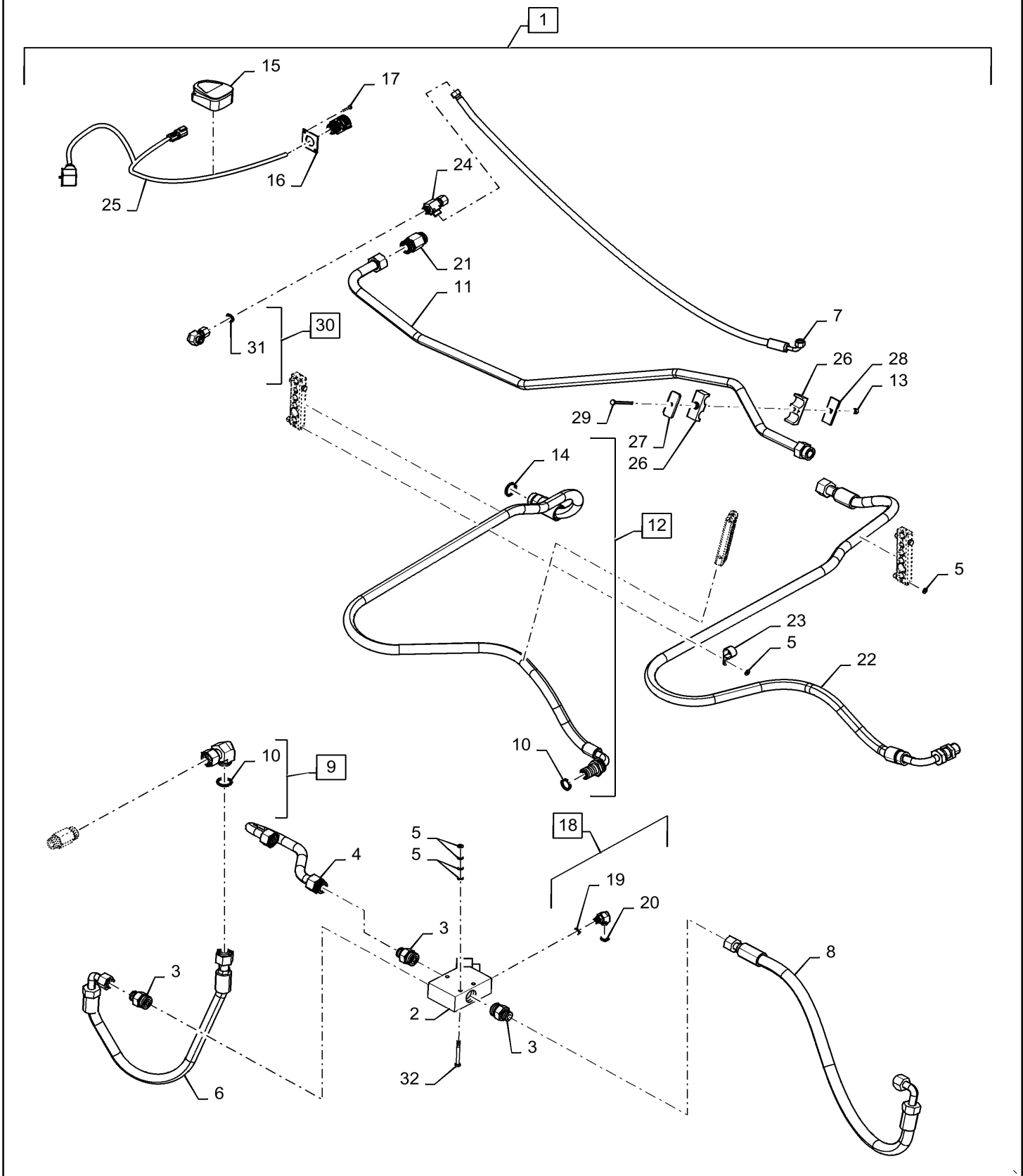
35.360.AA

03

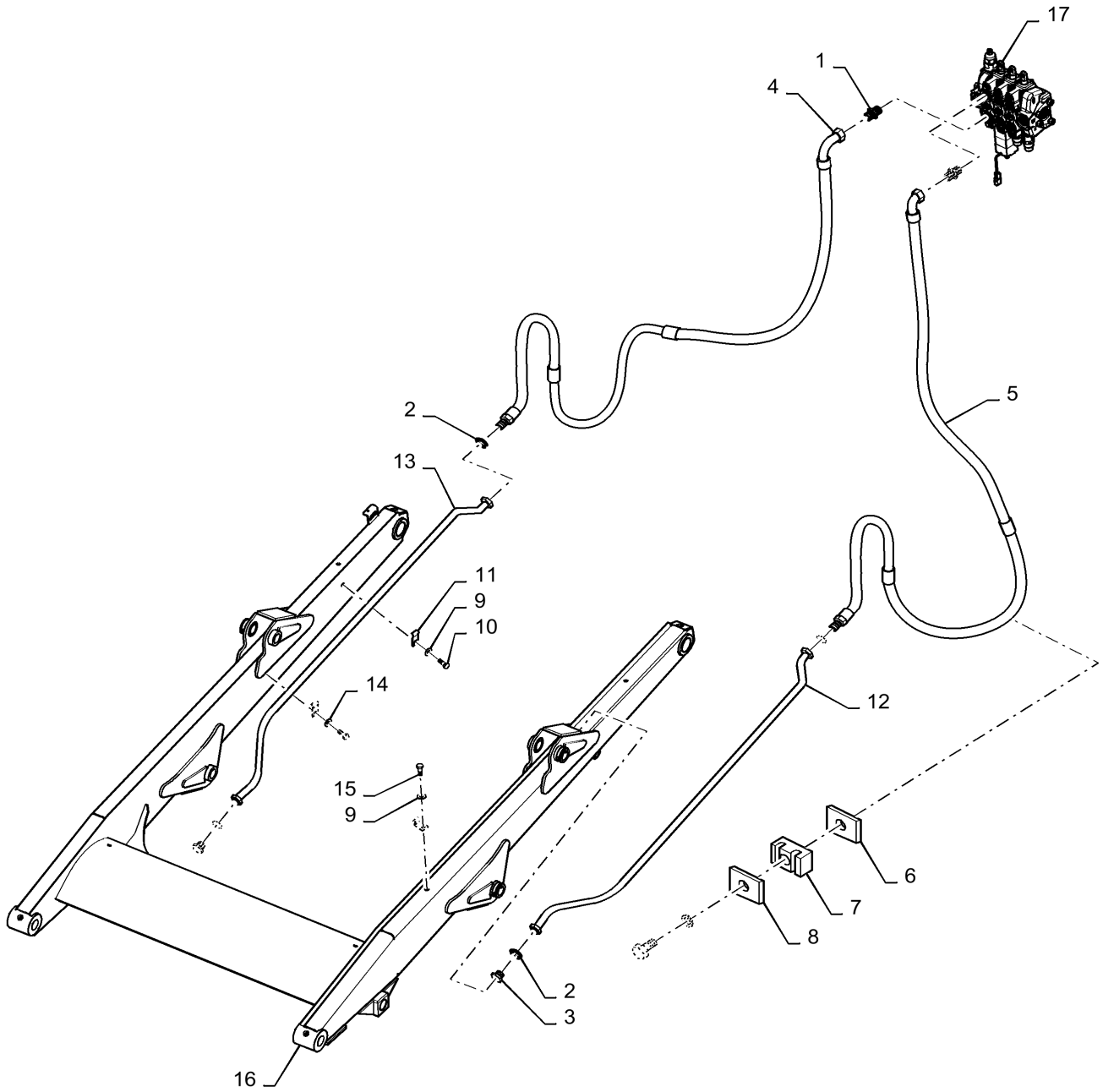
p2

5/2019

HAMMER, VALVE, LIVERY



HYDRAULIC SYSTEM FOR BUCKET 6 IN 1



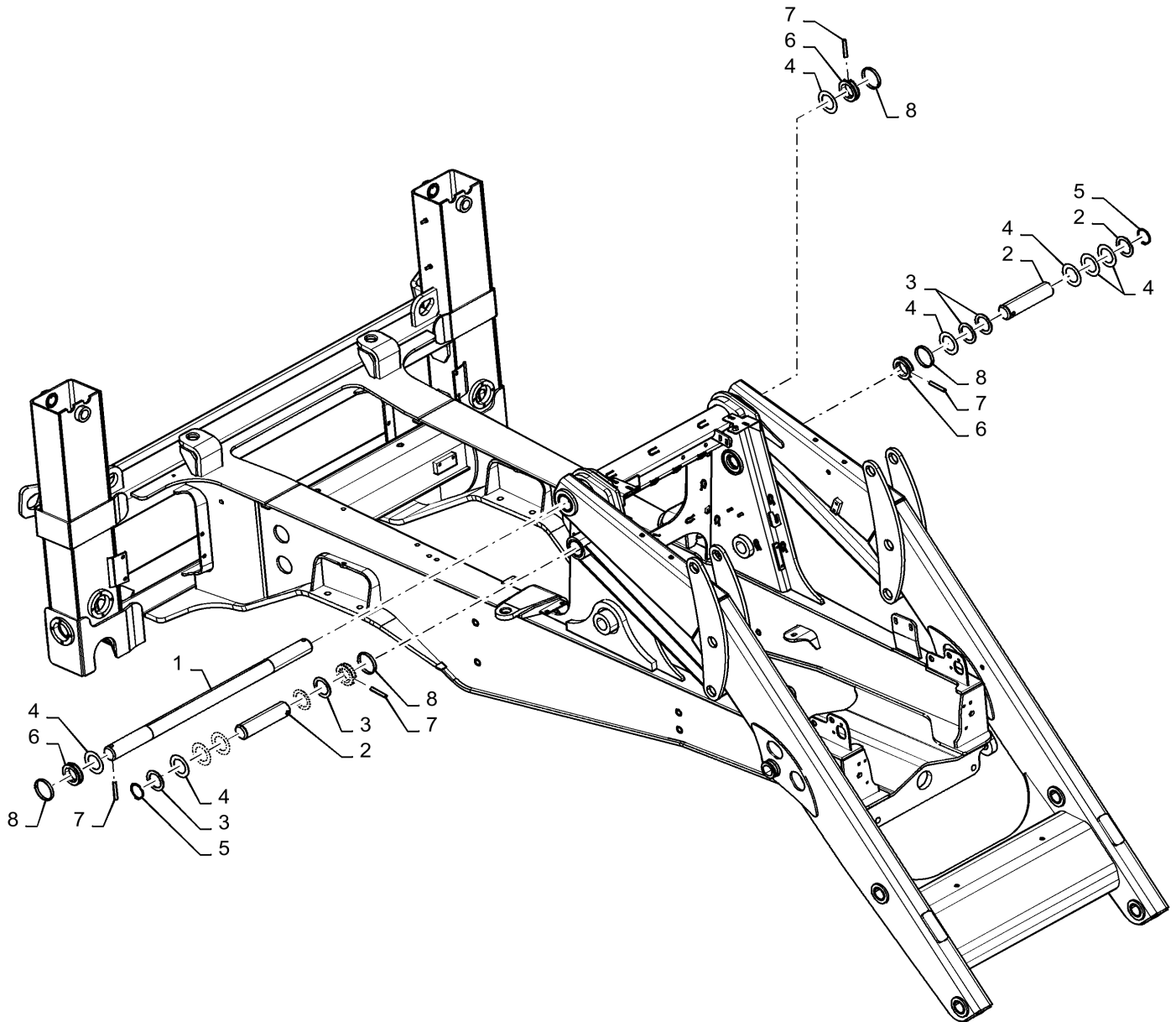
35.701.CB

06

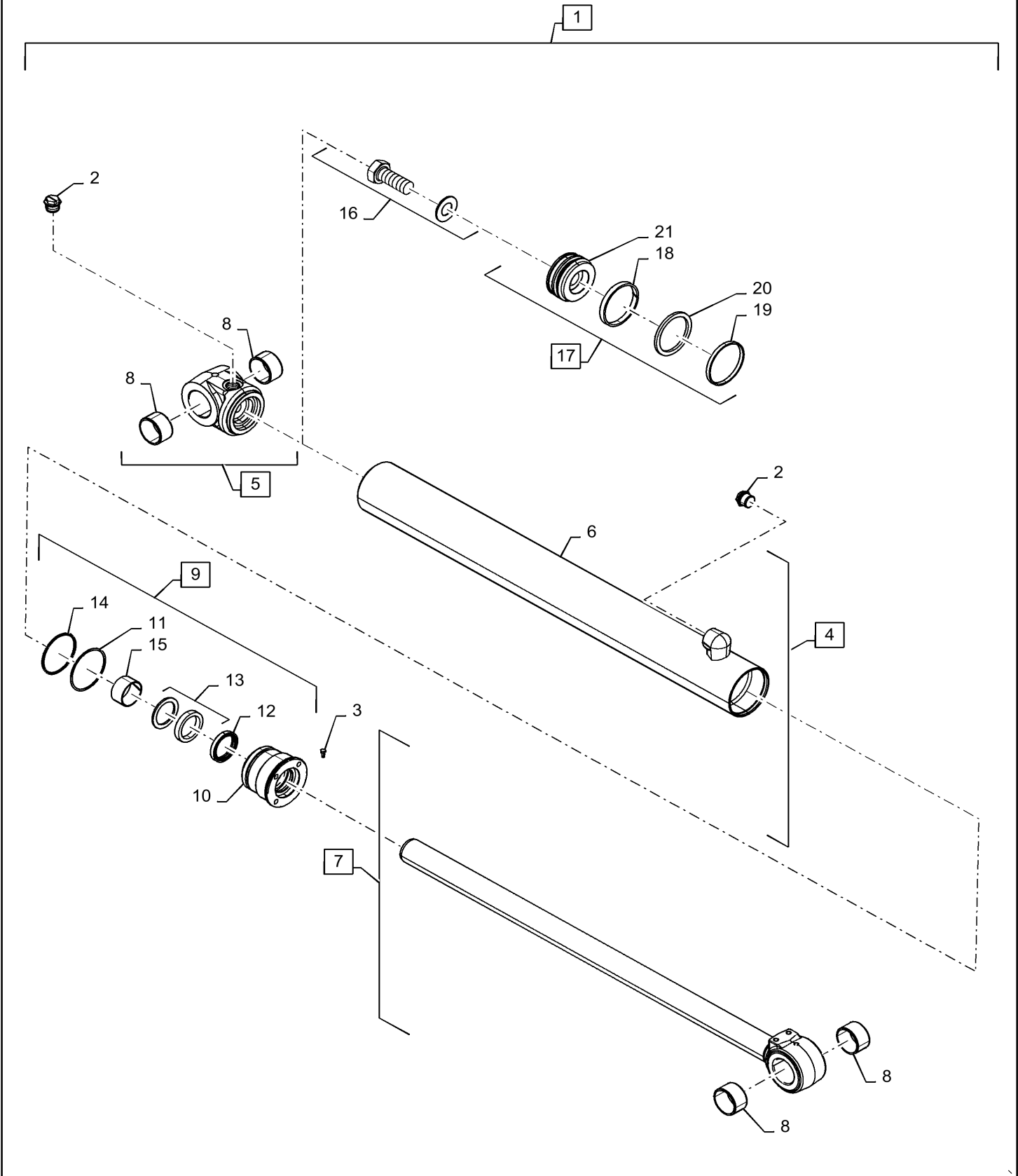
p1

5/2019

LOADER ARM SUB ASSY TO CHASSIS, BEND LOADER ARM



LOADER BUCKET, CYLINDER ASSY, BEND LOADER ARM



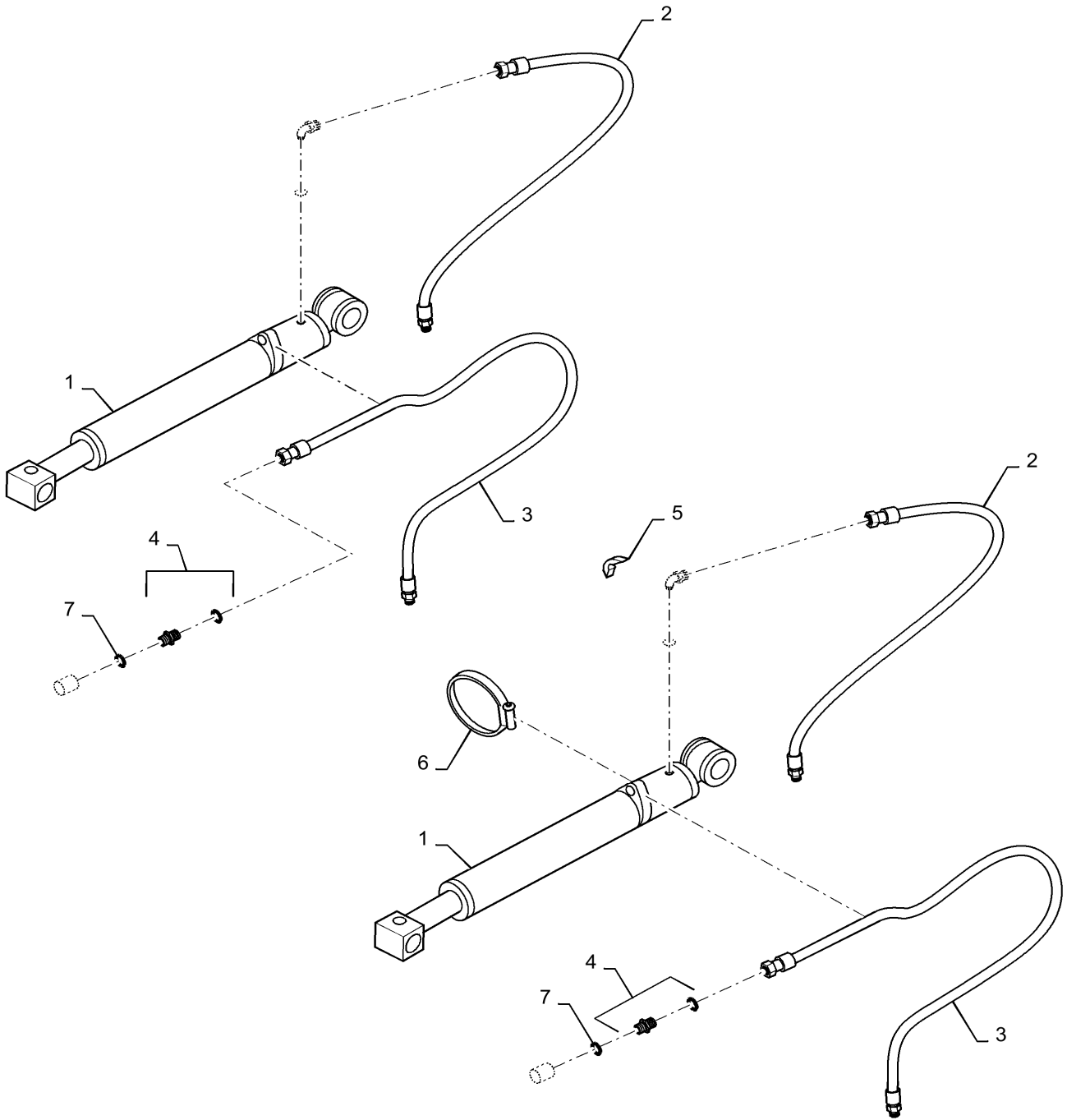
35.723.AA

02

p1

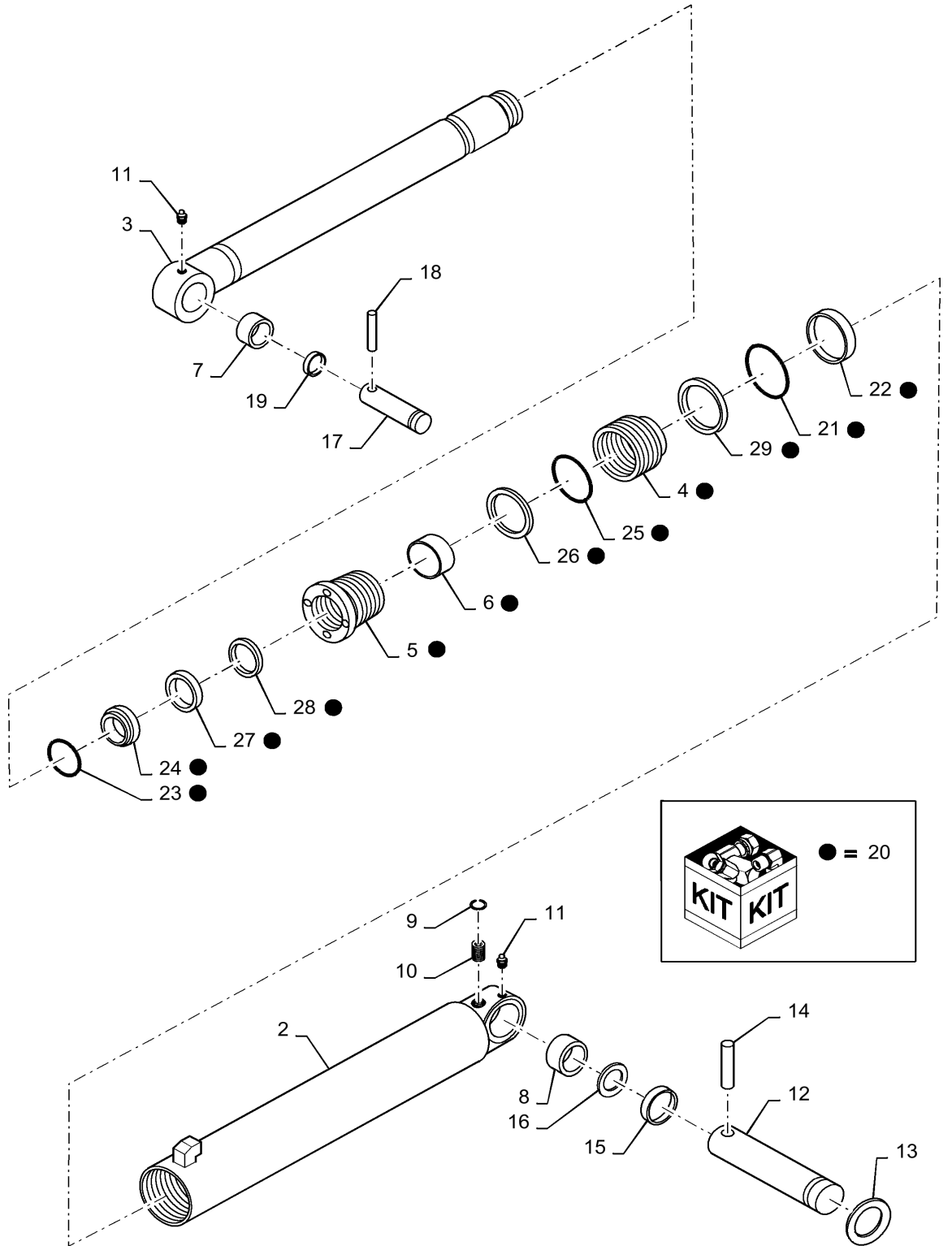
5/2019

LOADER TILT CYLINDER AND TUBING



LOADER LIFT CYLINDER

1



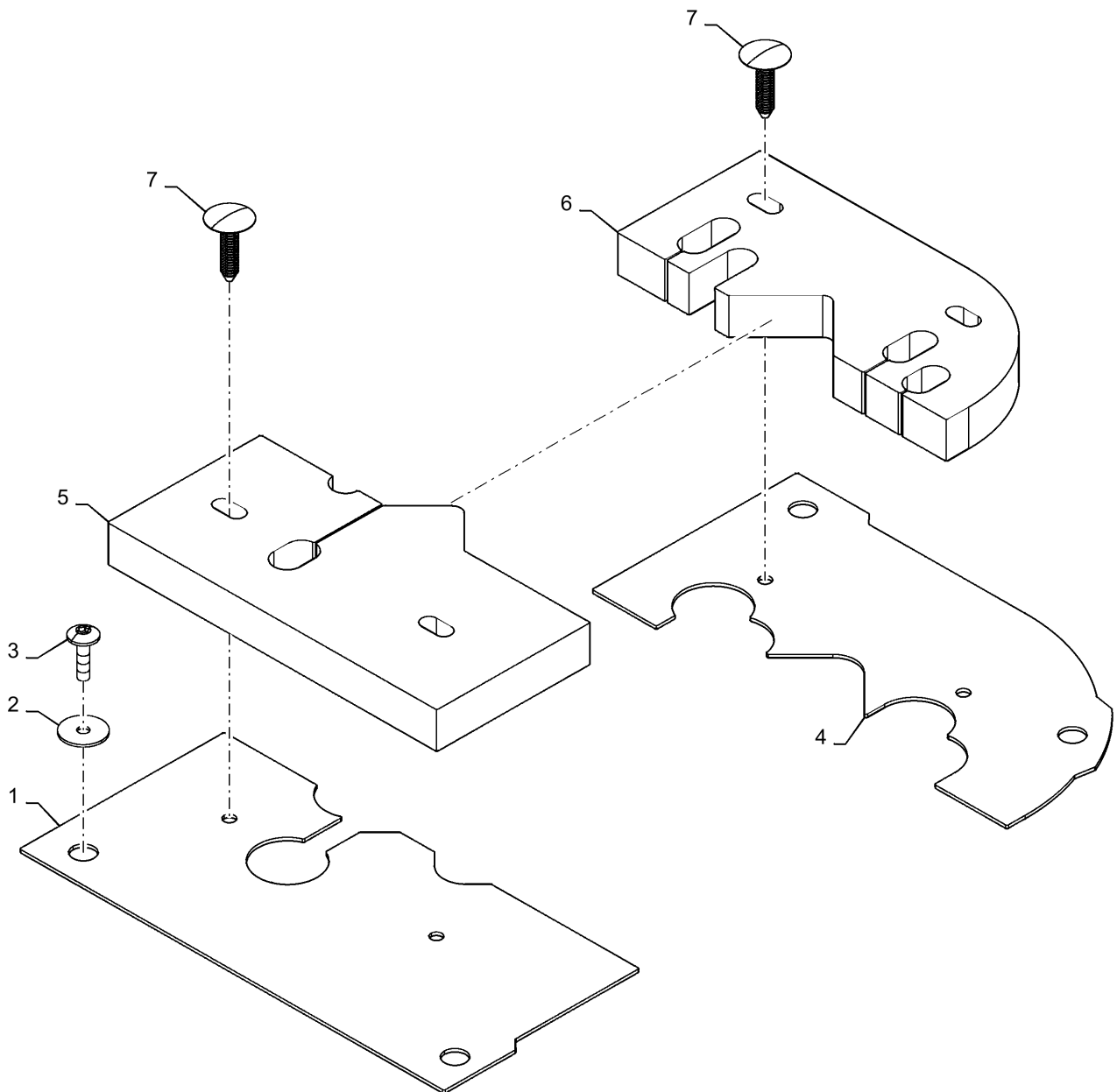
35.723.AA

15

p1

5/2019

LOADER CONTROL SEAL



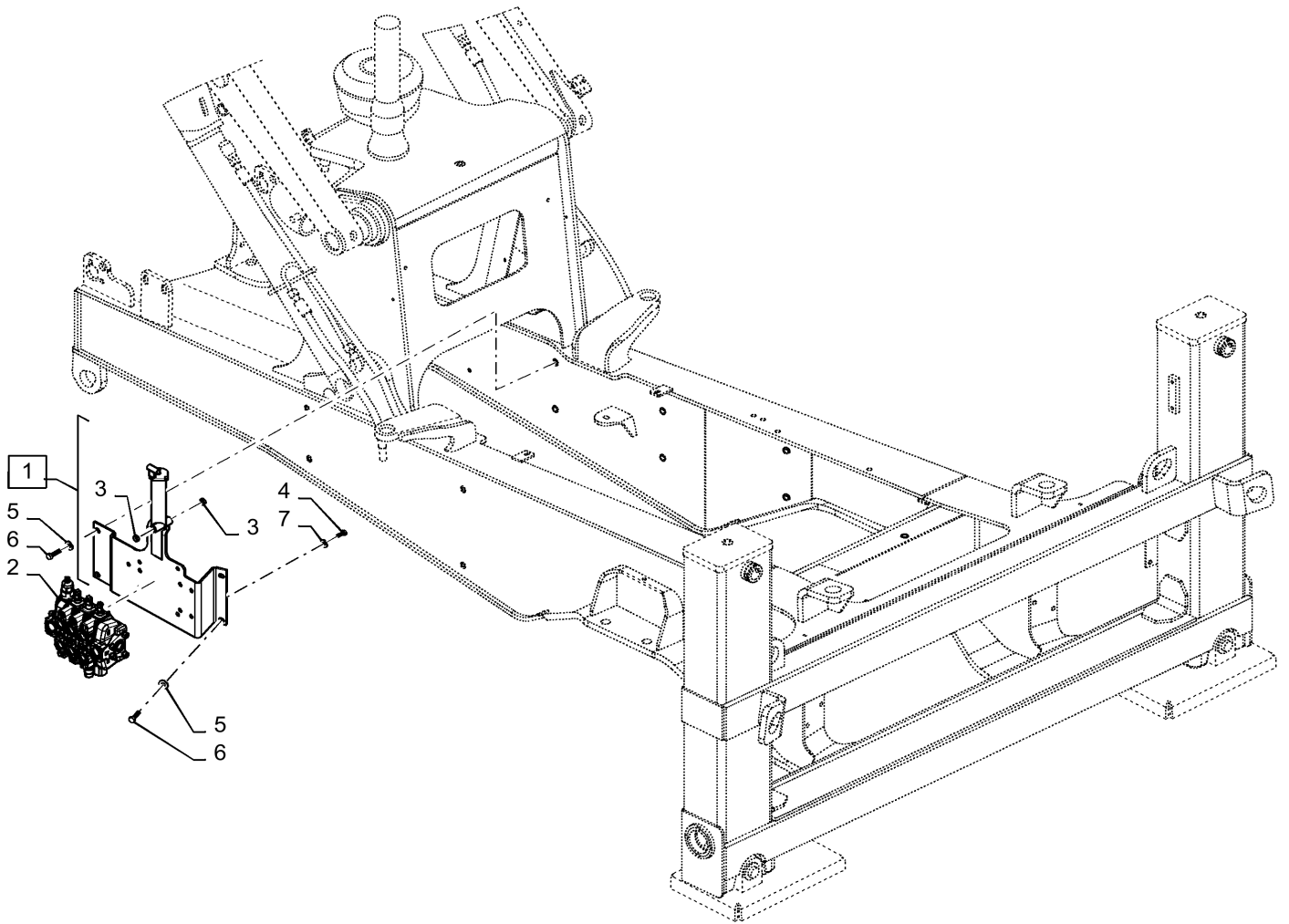
35.724.AX

05

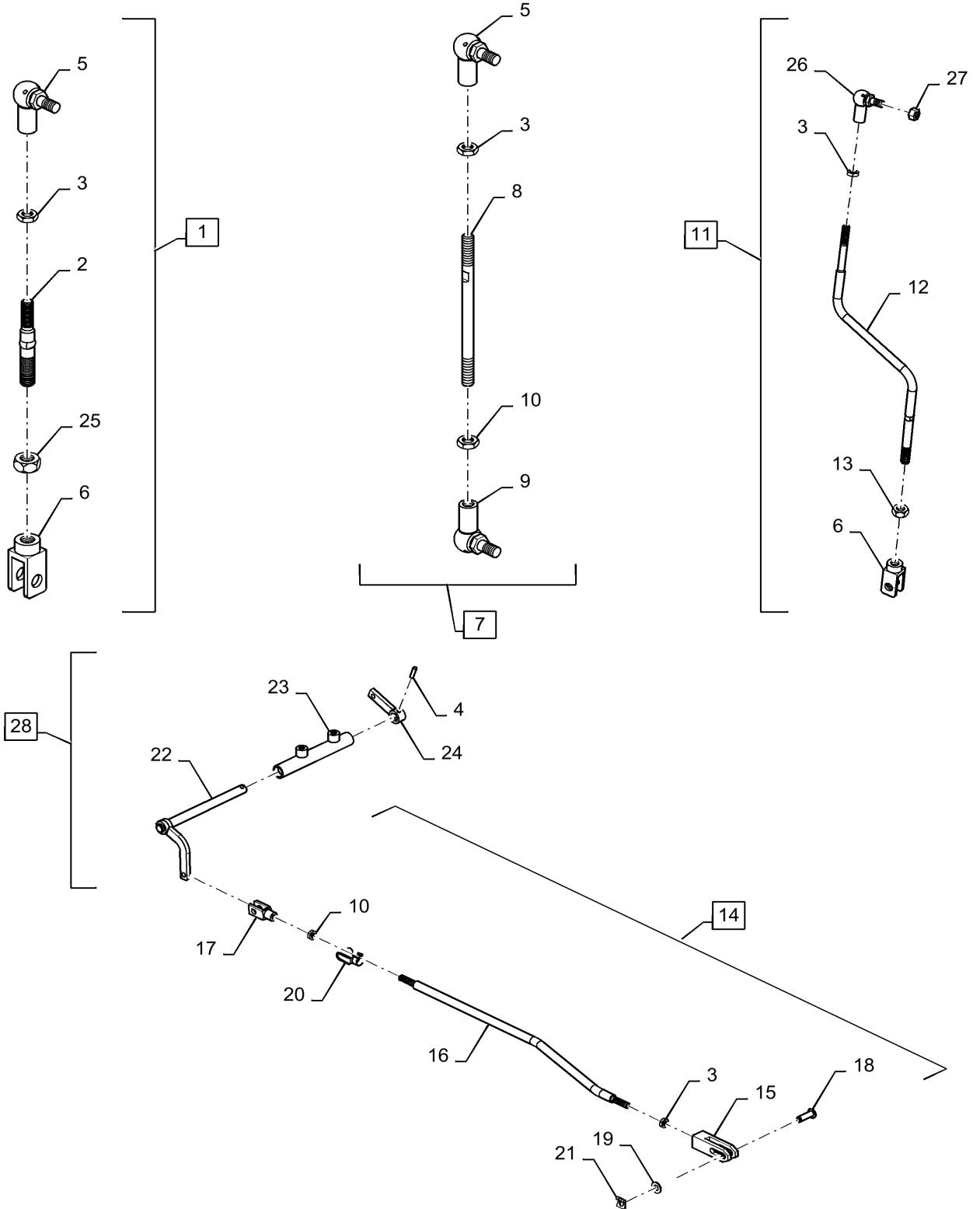
p1

5/2019

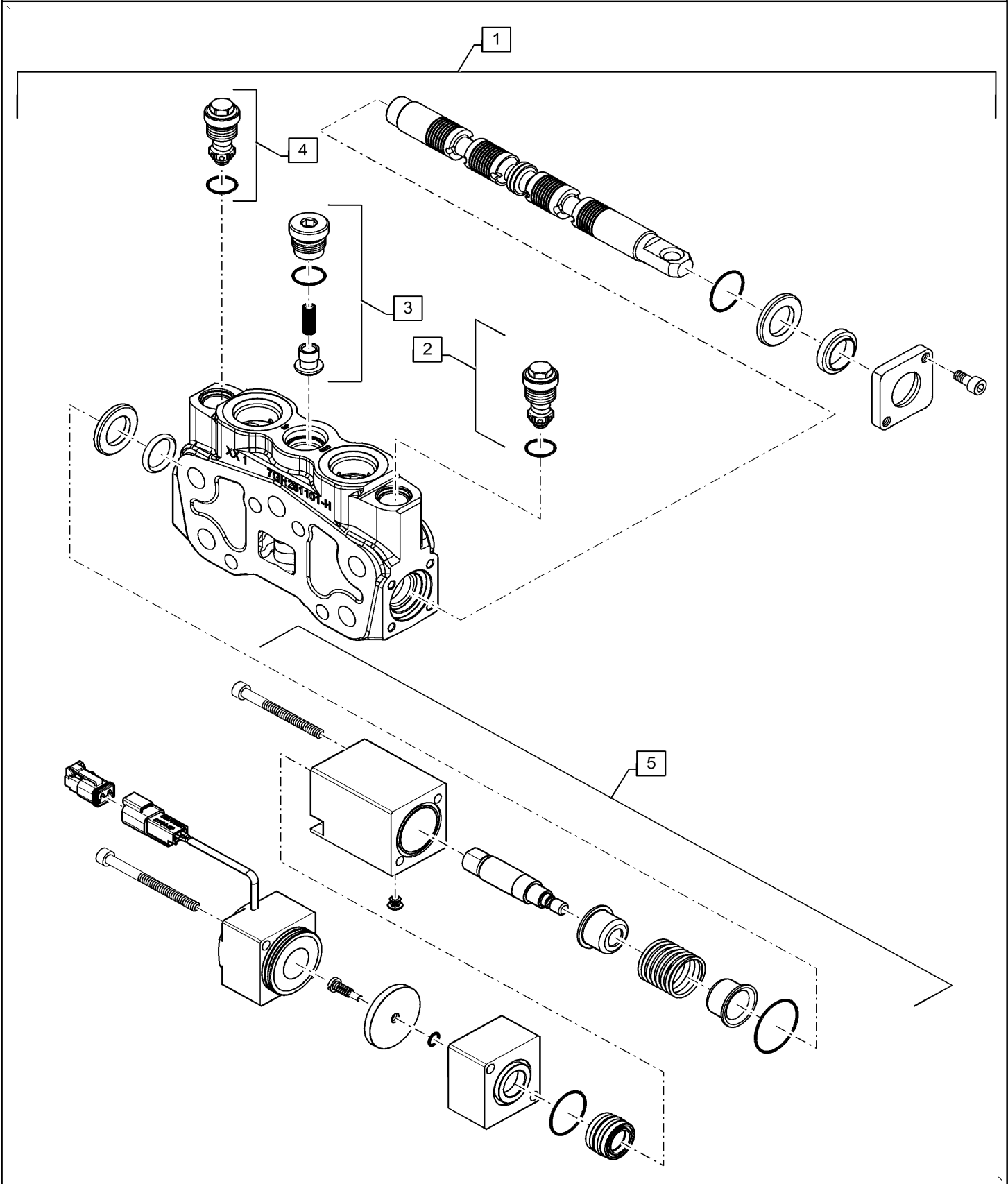
LOADER CONTROL VALVE WITHOUT RTD, 3 SPOOL, LIVERY



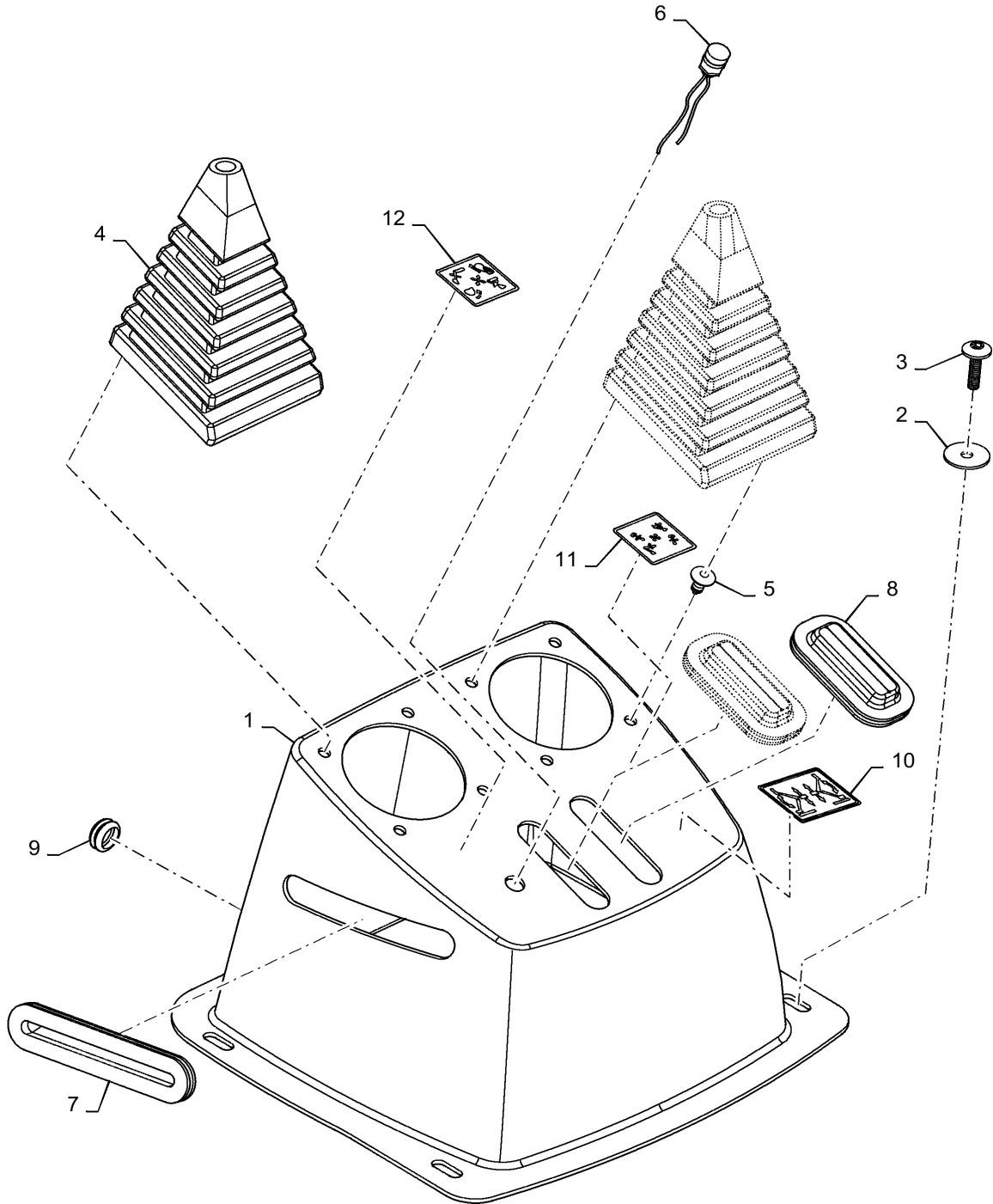
2 AND 3 SPOOL LOADER CONTROL VALVE, 86HP



BUCKET SECTION, 2 AND 3 SPOOL LOADER VALVE, 86HP



REAR CONSOLE, RH LOADER BDB, HVAC



CLICK HERE TO **DOWNLOAD** THE COMPLETE MANUAL

- Thank you very much for reading the preview of the manual.
- You can download the complete manual from: www.heydownloads.com by clicking the link below



- Please note: If there is no response to CLICKING the link, please download this PDF first and then click on it.

CLICK HERE TO **DOWNLOAD** THE COMPLETE MANUAL

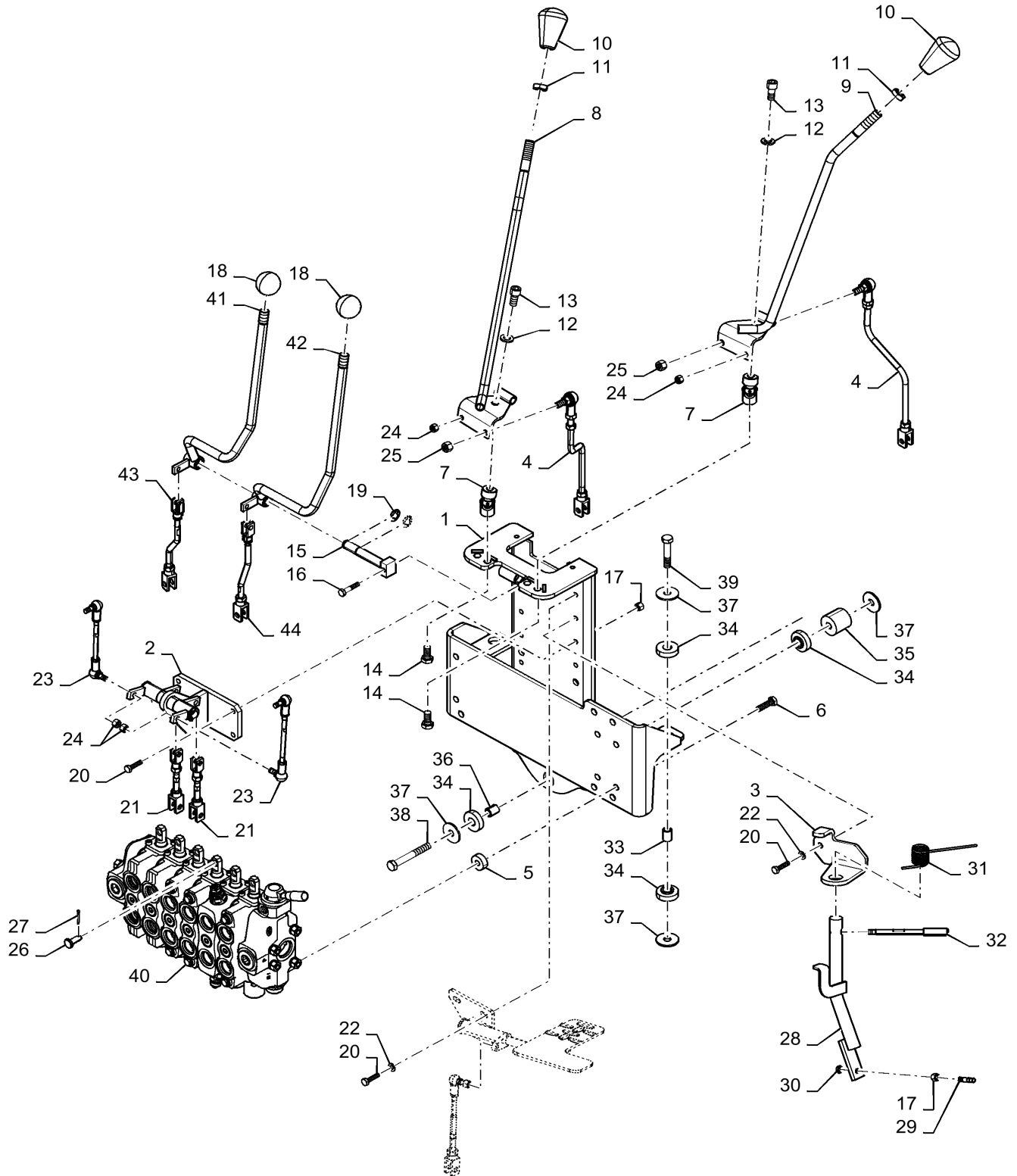
35.726.AX

03

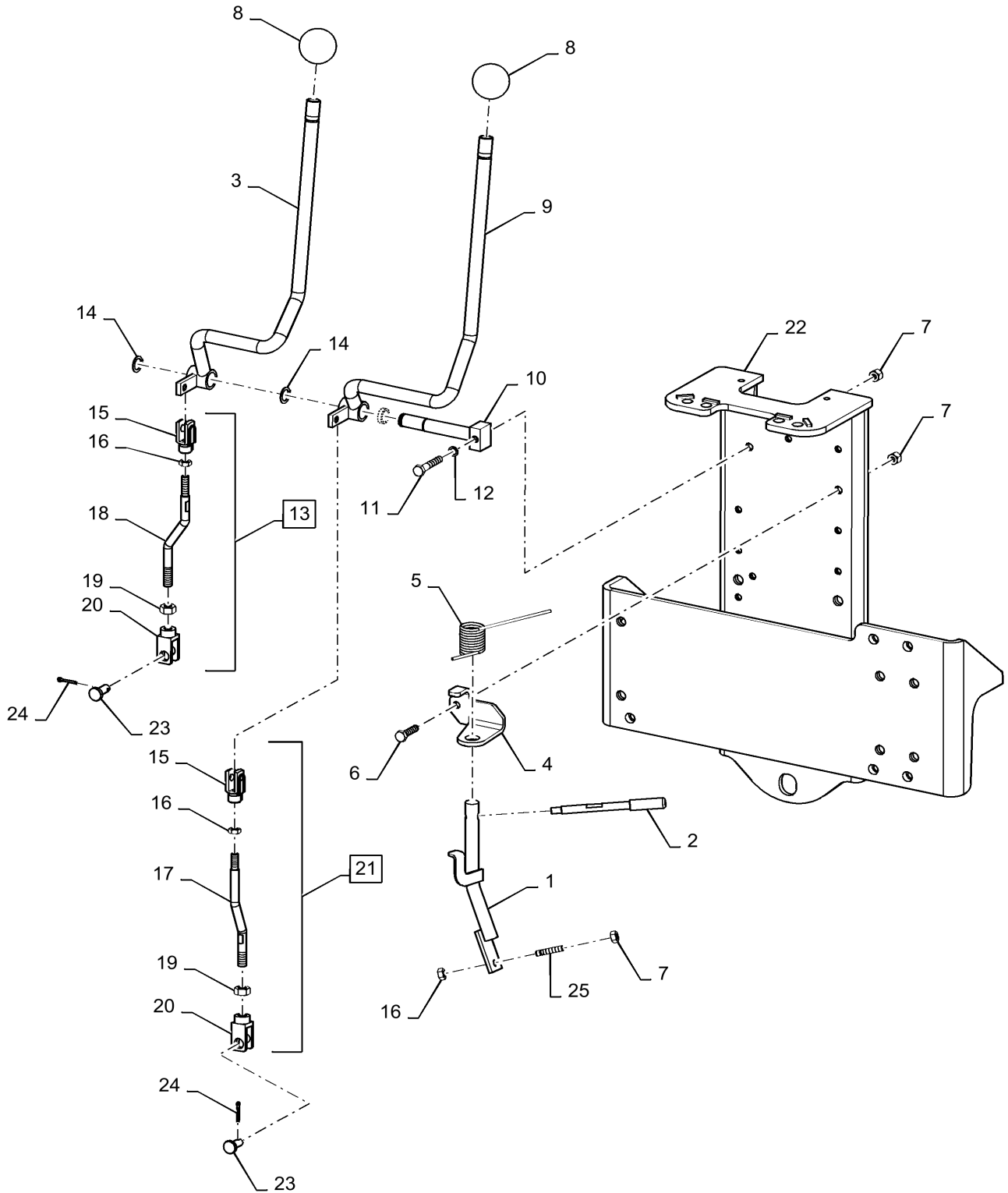
p1

5/2019

BRACKET ASSY, 6 SPOOL VALVE AND CONTROLS, LIVERY



7 SPOOL, TOWER ASSEMBLY, BACKHOE CONTROL, LIVERY



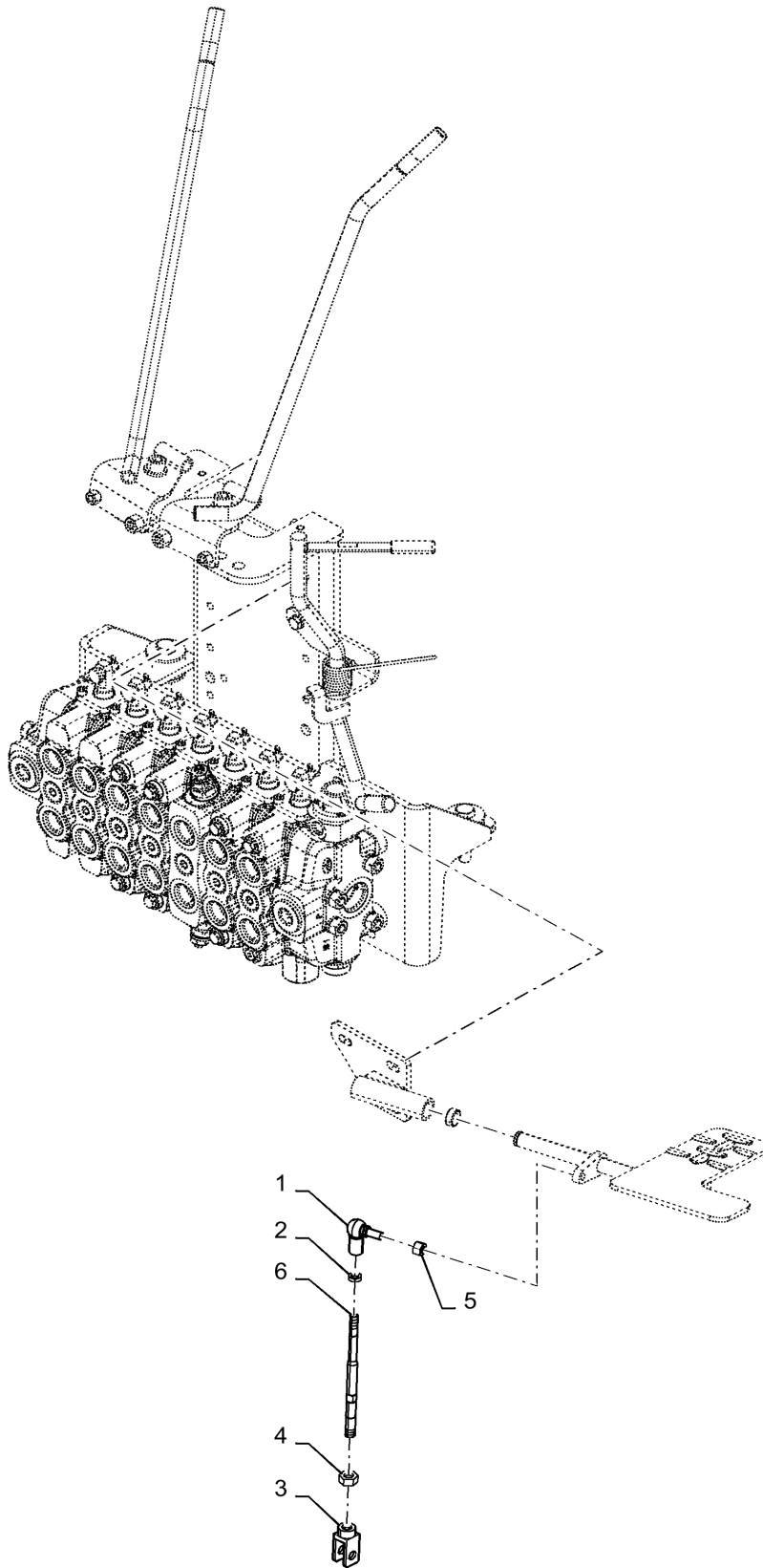
35.726.AX

12

p1

5/2019

7 SPOOL, TIE ROD ASSY, EHOE, LIVERY



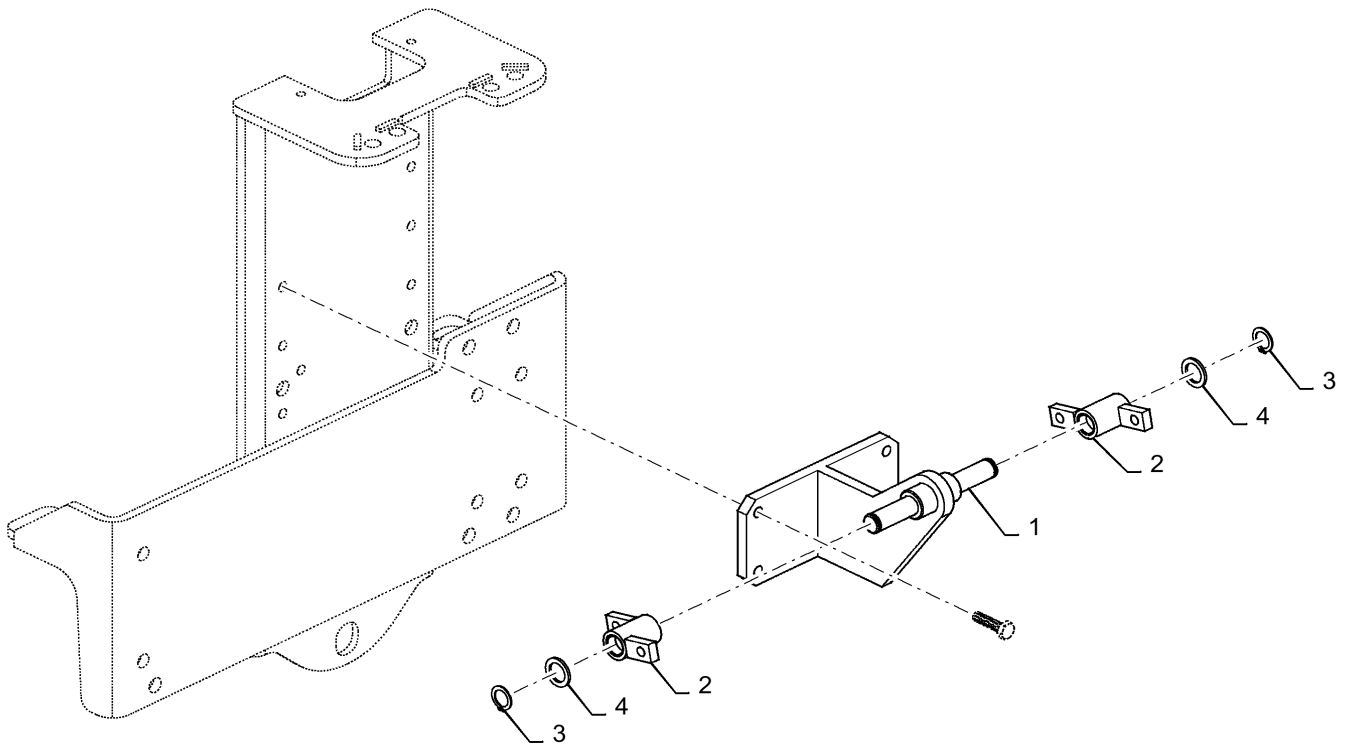
35.726.AX

17

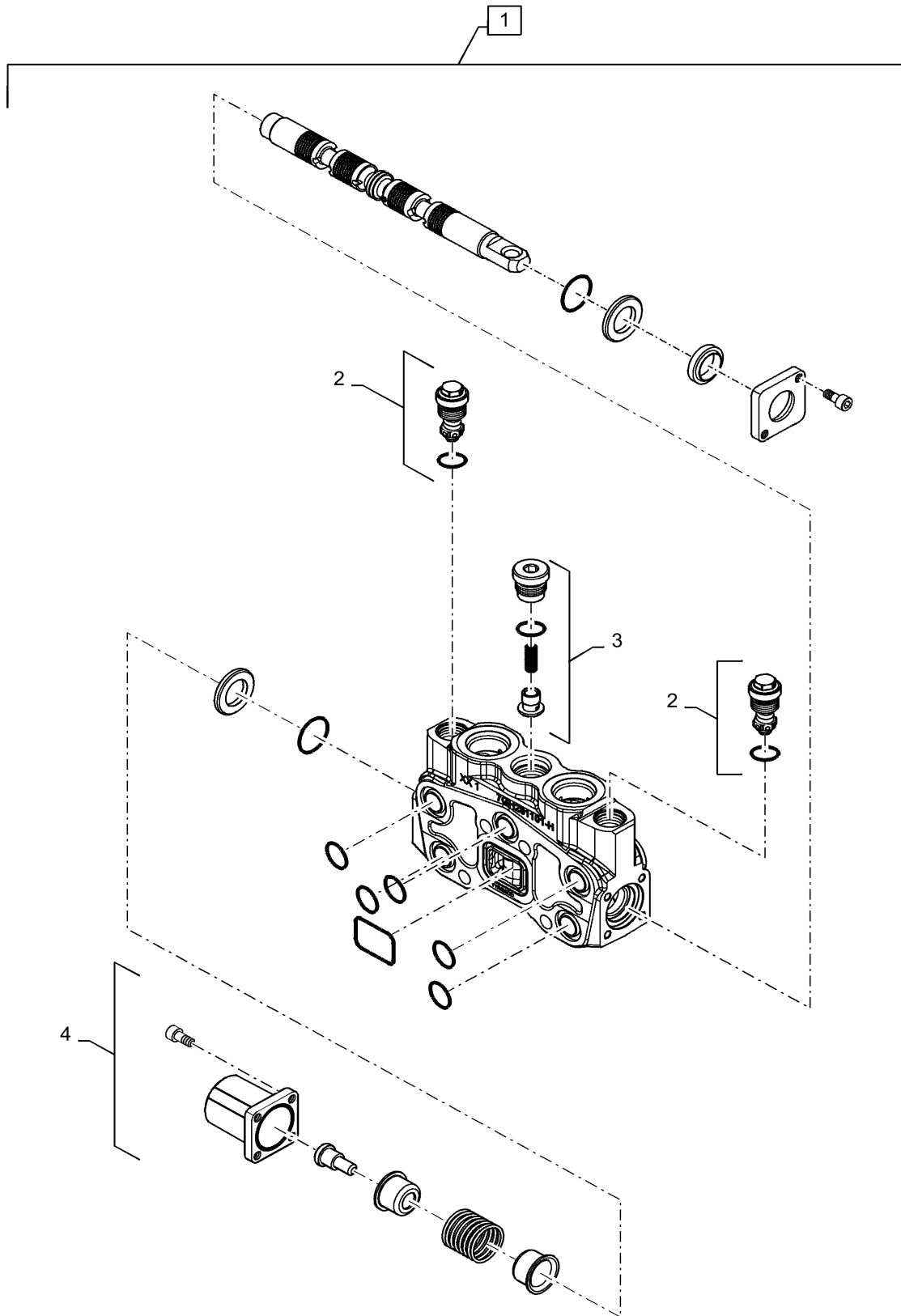
p1

5/2019

BRACKET ASSY, BELLCRANK MOUNTING, 6 AND 7 SPOOL



BUCKET SECTION 6 AND 7 SPOOL



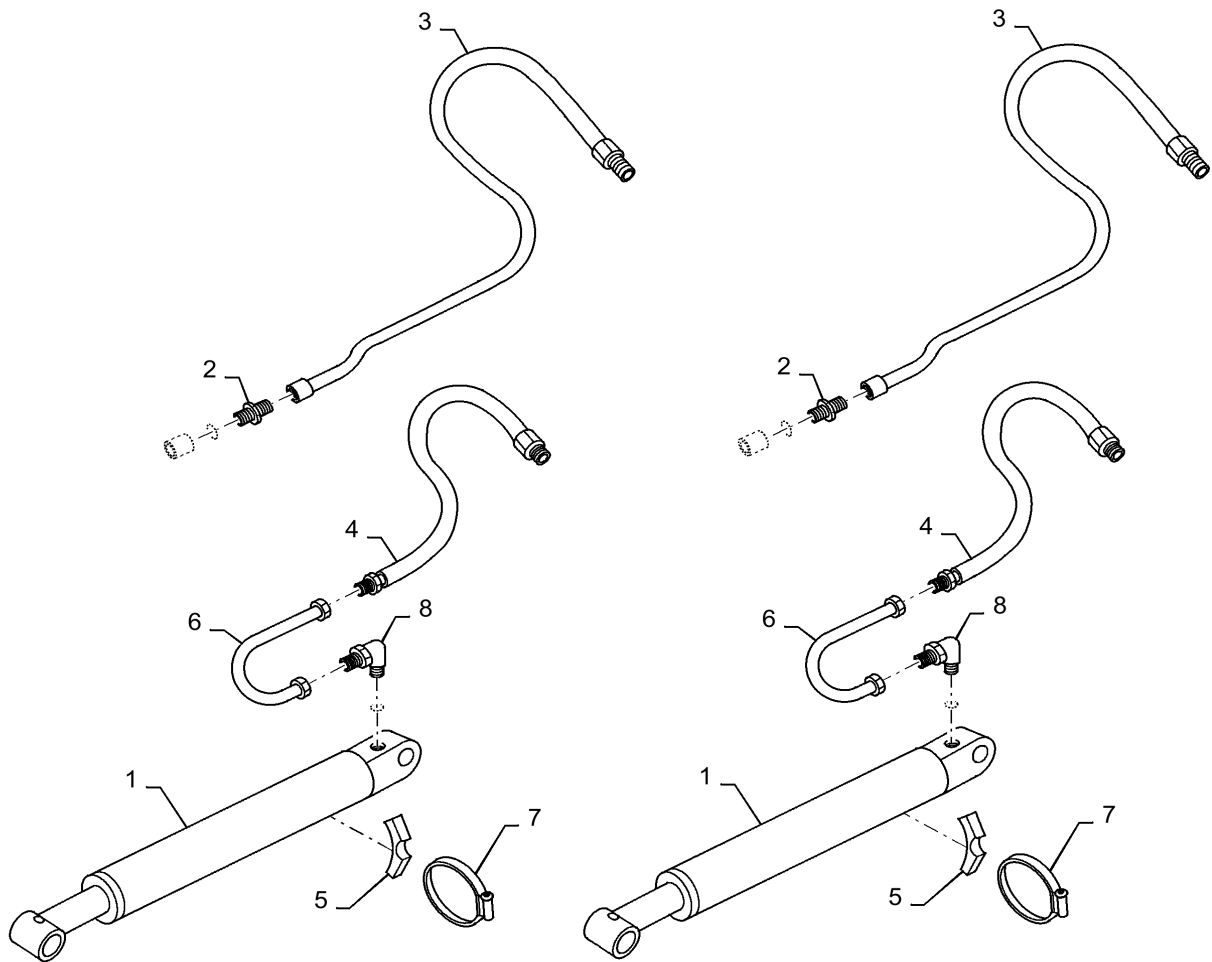
35.730.BM

01

p1

5/2019

POSITIONING CYLINDER



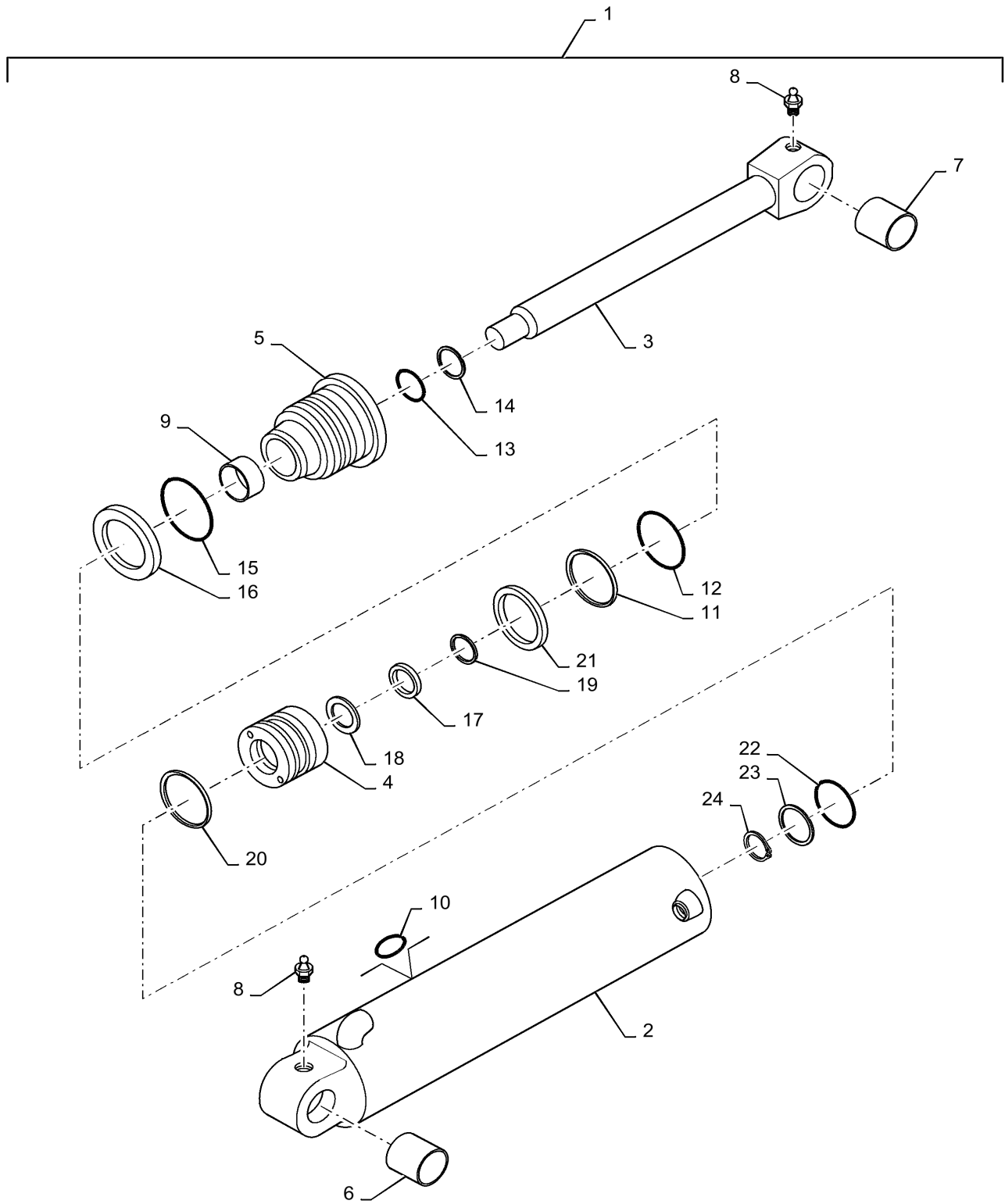
35.736.AA

04

p2

5/2019

BOOM CYLINDER, LIVERY



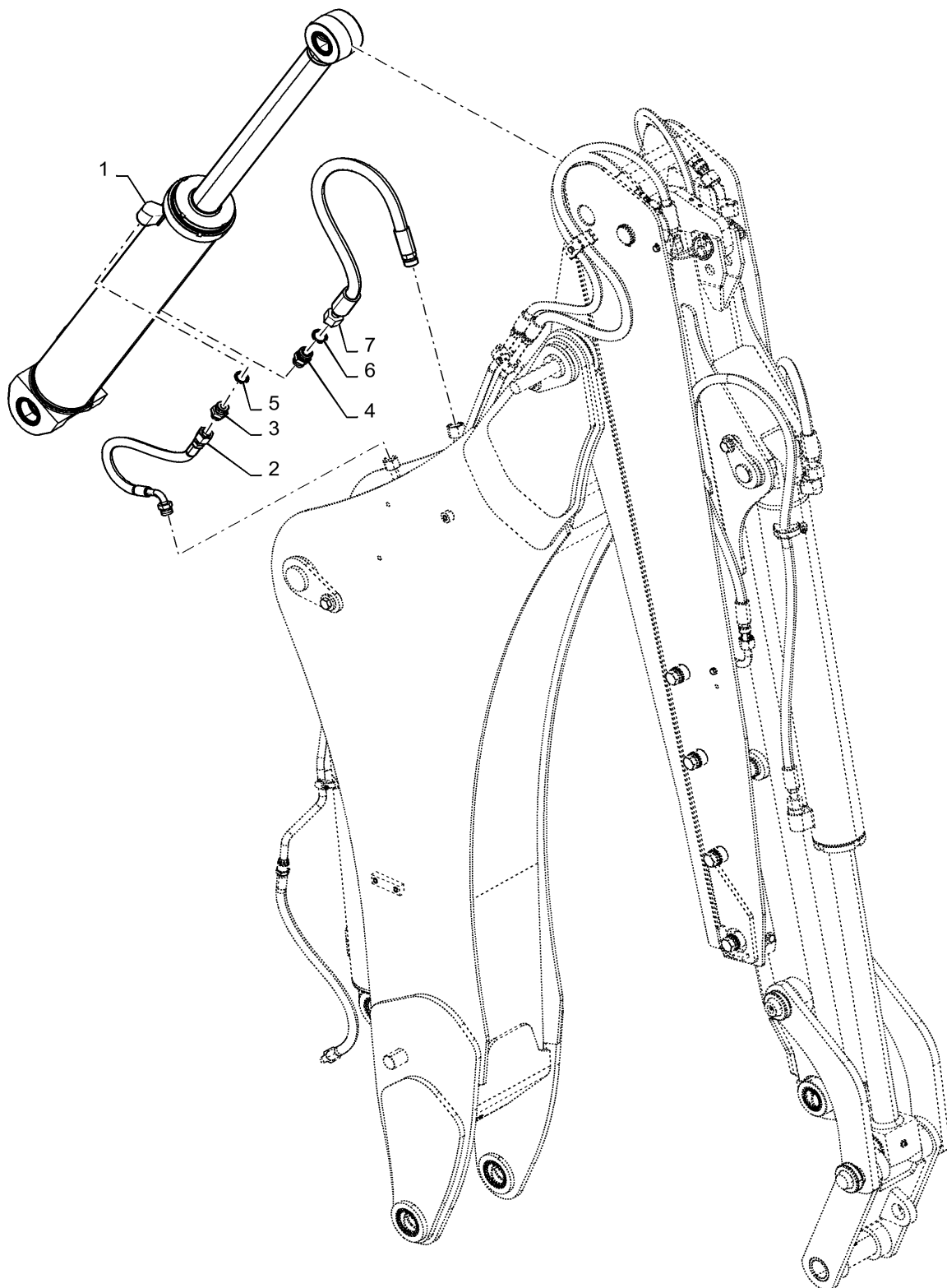
35.737.AA

03

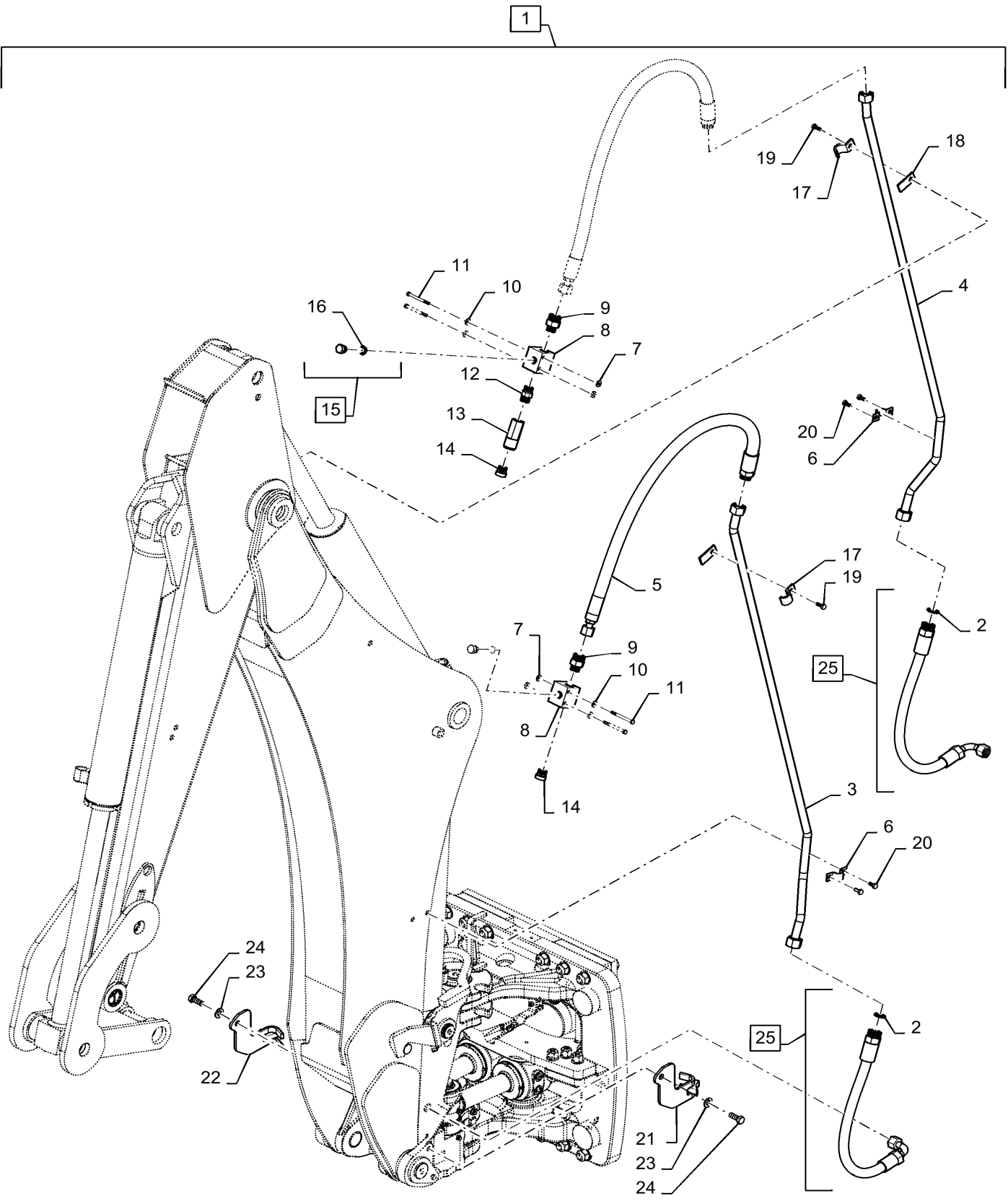
p1

5/2019

DIPPER ASSY, CYLINDER PLUMBING COMMON BH, LIVERY



UNI - AUX, BOOM AND DIPPER



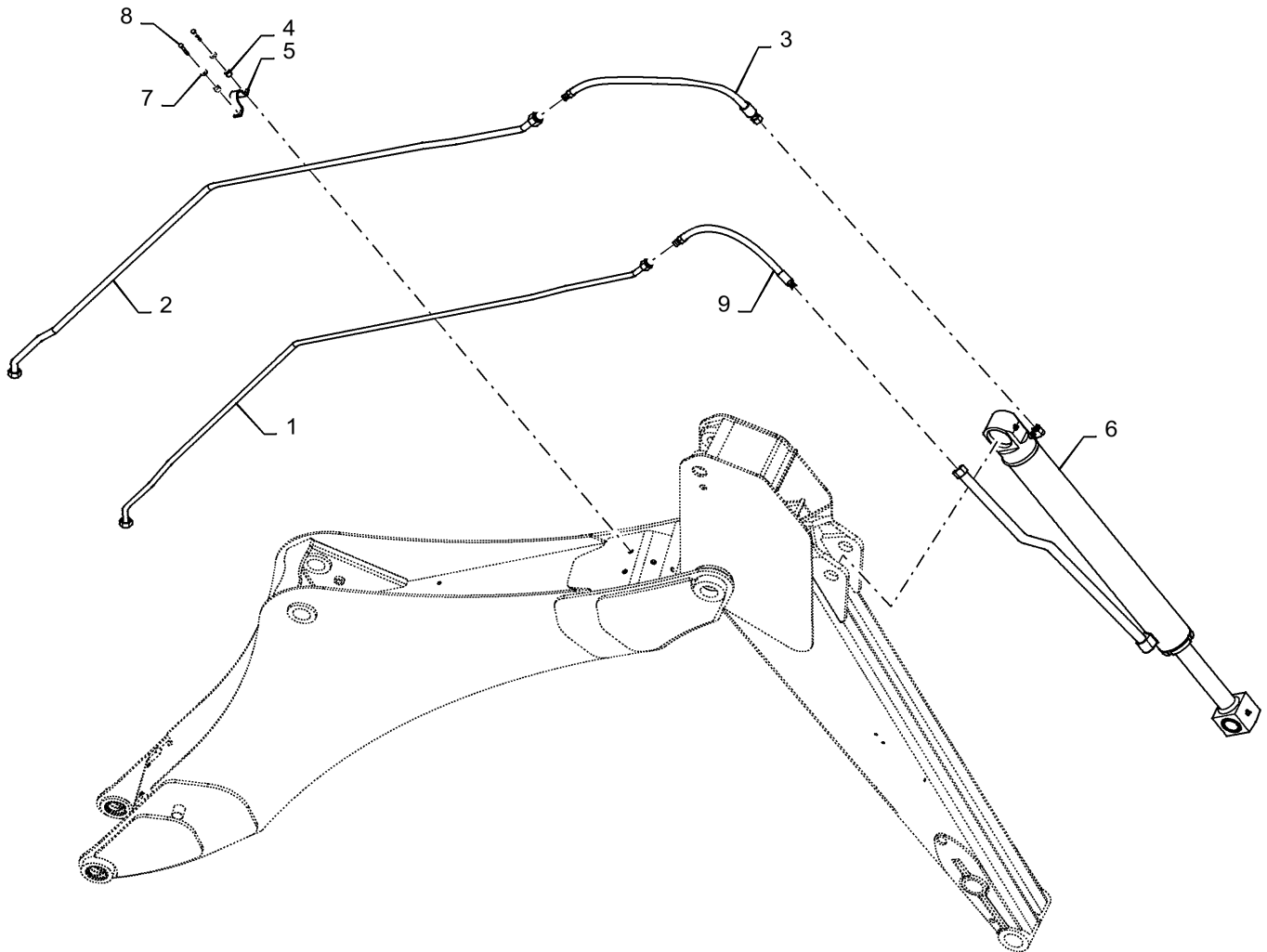
35.738.AA

02

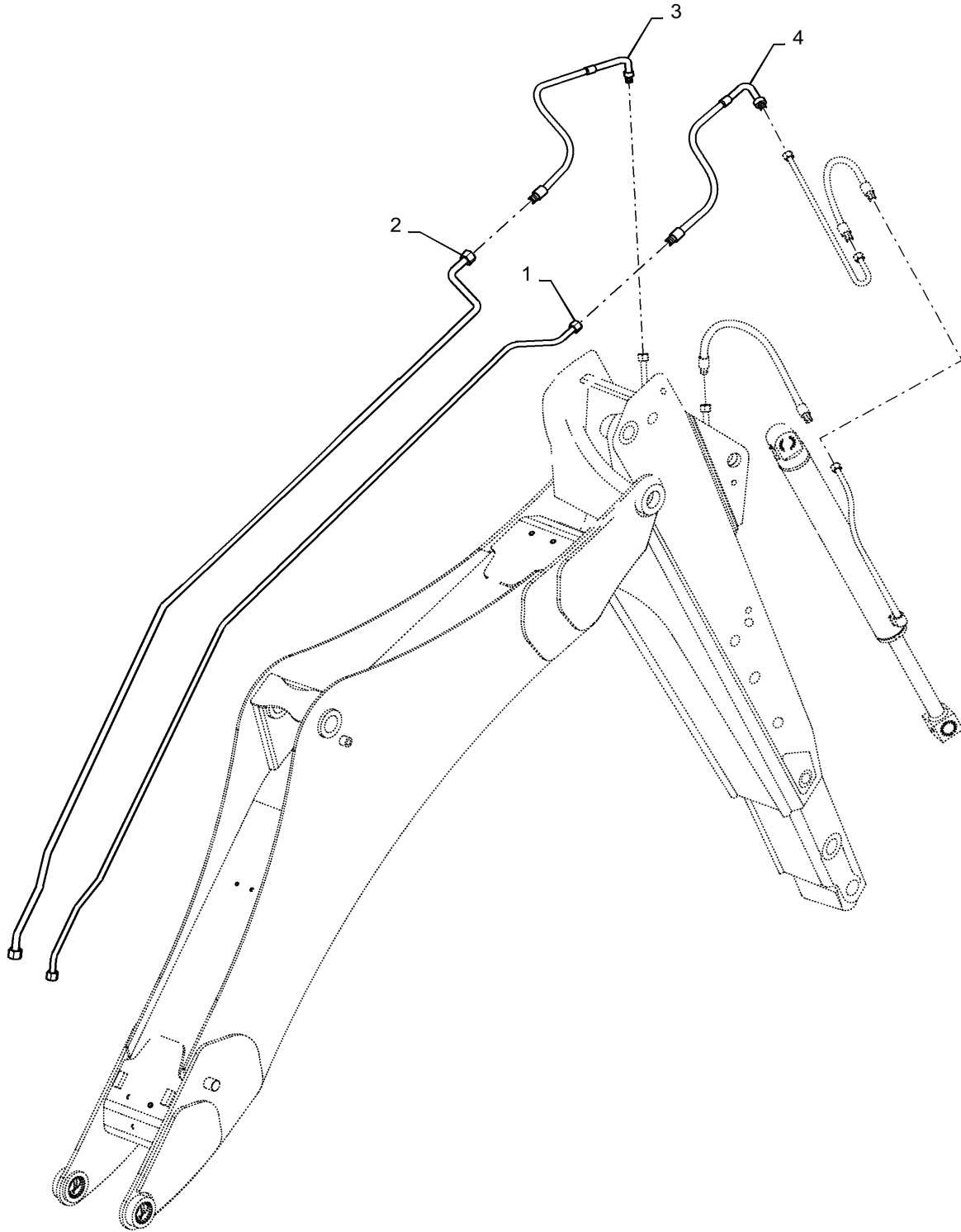
p1

5/2019

BUCKET CYLINDER HOSES AND TUBES



EXTENDHOE DIPPER BOOM TUBE AND HOSES



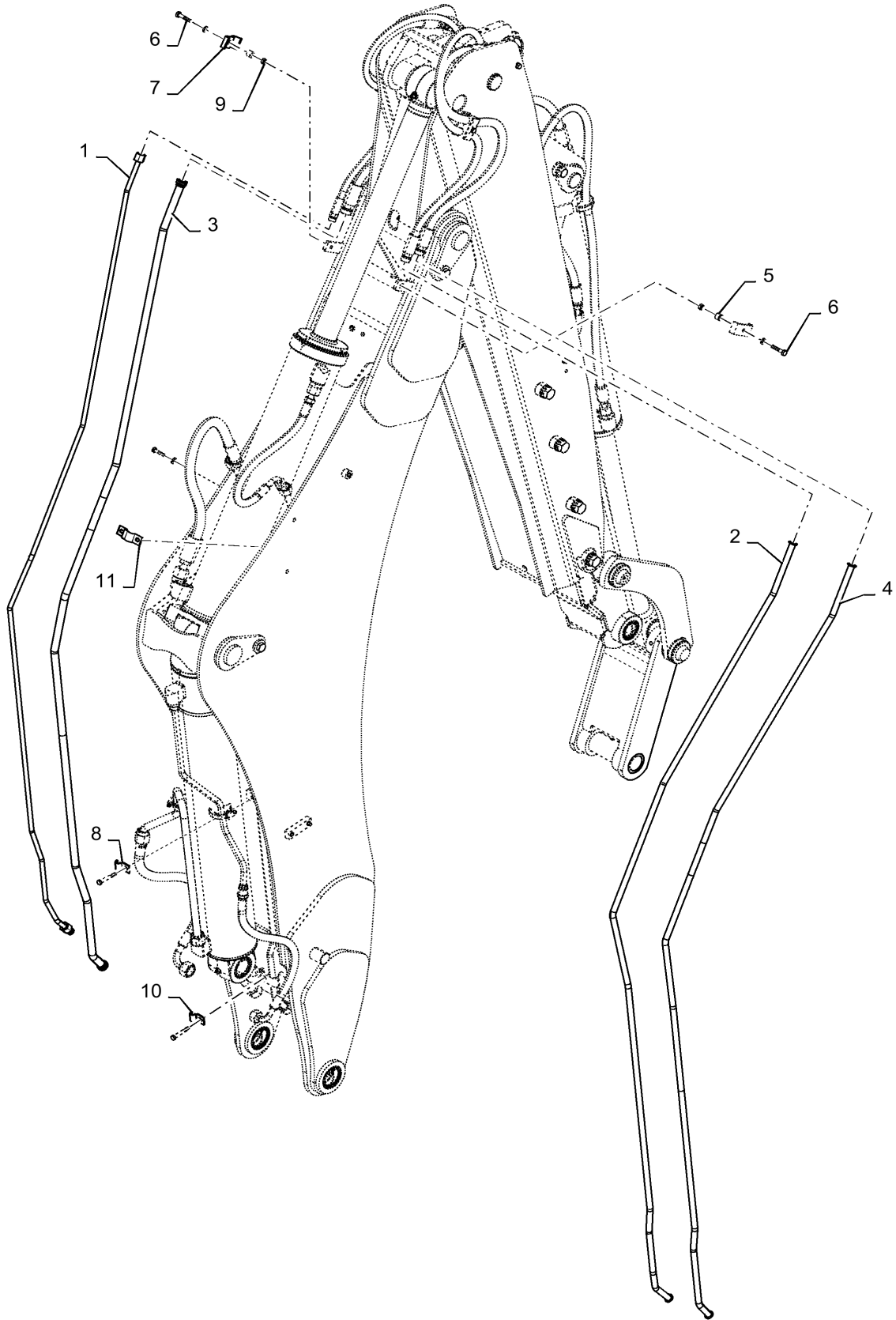
35.738.AE

07

p1

5/2019

BOOM ASSY, COMMON BACKHOE EHOE, LIVERY



SECTION INDEX

FRAMES AND BALLASTING

39.000.00	01	SECTION INDEX - FRAMES AND BALLASTING
39.000.00	01	SECTION INDEX - FRAMES AND BALLASTING
39.100.AB	01	CHASSIS MOUNTED COMPONENTS-REAR COVER, LIVERY
39.100.AB	01	CHASSIS MOUNTED, COMPONENTS, REAR COVERS, BEND LOADER ARM
39.140.AM	01	COUNTER WEIGHT, LIVERY
39.140.AM	02	COUNTER WEIGHT 355 KG, LIVERY

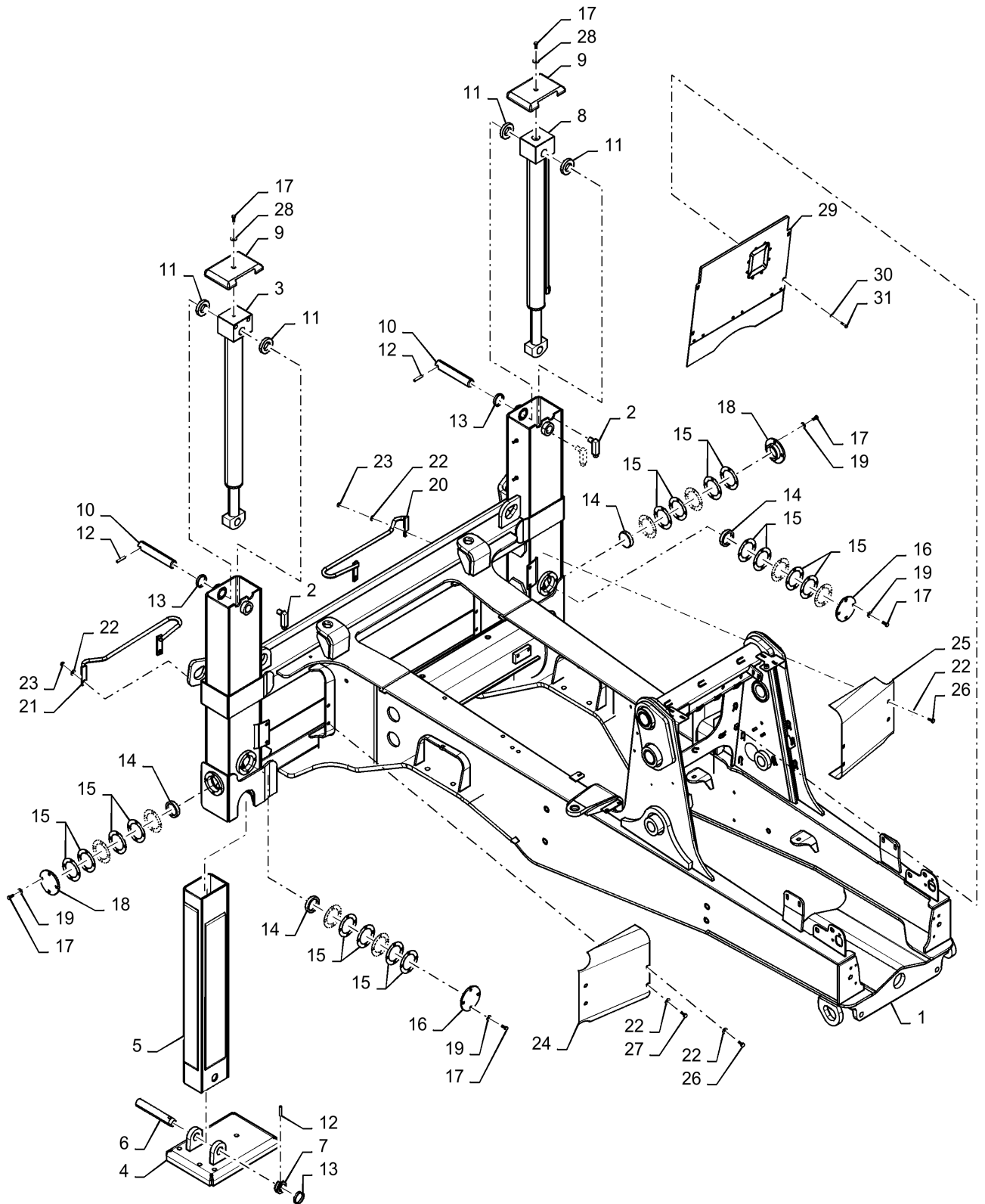
39.100.AB

01

p1

5/2019

CHASSIS MOUNTED, COMPONENTS, REAR COVERS, BEND LOADER ARM



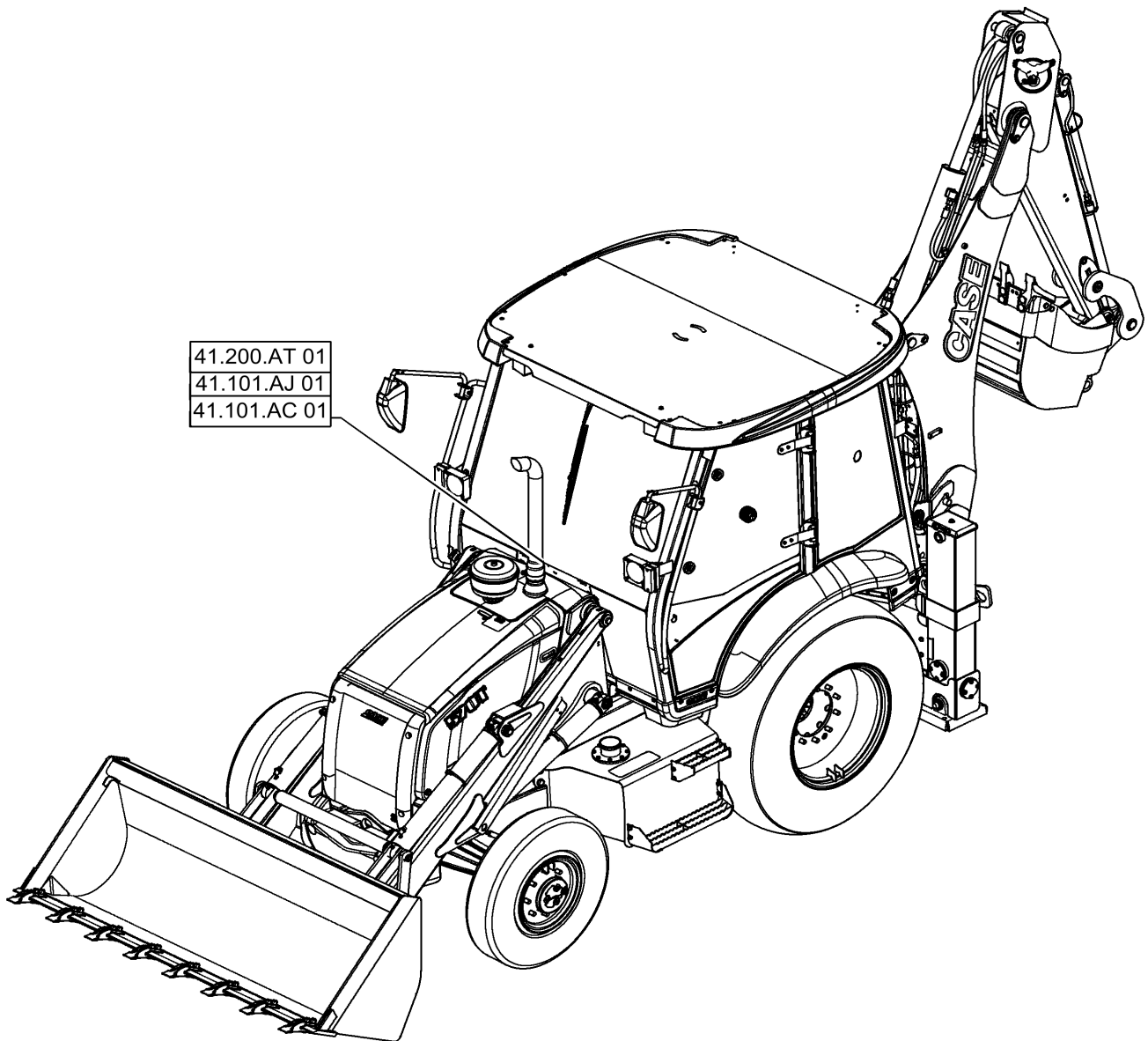
41.000.00

01

p1

5/2019

SECTION INDEX - STEERING



SECTION INDEX

WHEELS

44.000.00	01	PICTORIAL INDEX - WHEELS
44.000.00	01	SECTION INDEX - WHEELS
44.511.AE	01	FRONT WHEEL ASSY - 2WD, LIVERY
44.511.AE	02	FRONT WHEEL ASSY - 4WD, LIVERY
44.511.AE	03	FRONT WHEEL ASSY, 4WD
44.520.AB	01	REAR WHEEL ASSY - STD, LIVERY
44.520.AB	02	REAR WHEEL ASSY - HD, LIVERY

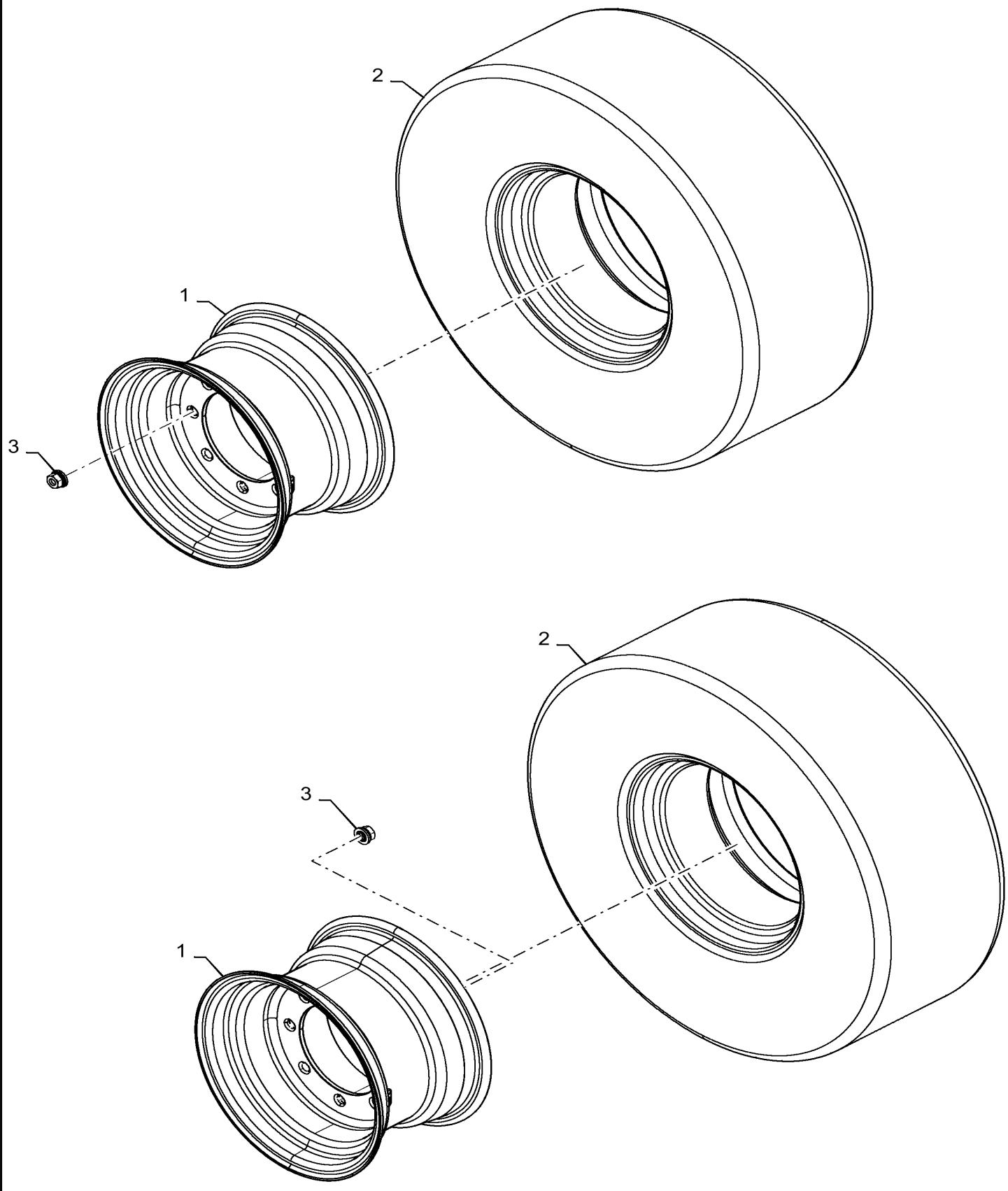
44.511.AE

03

p1

5/2019

FRONT WHEEL ASSY, 4WD



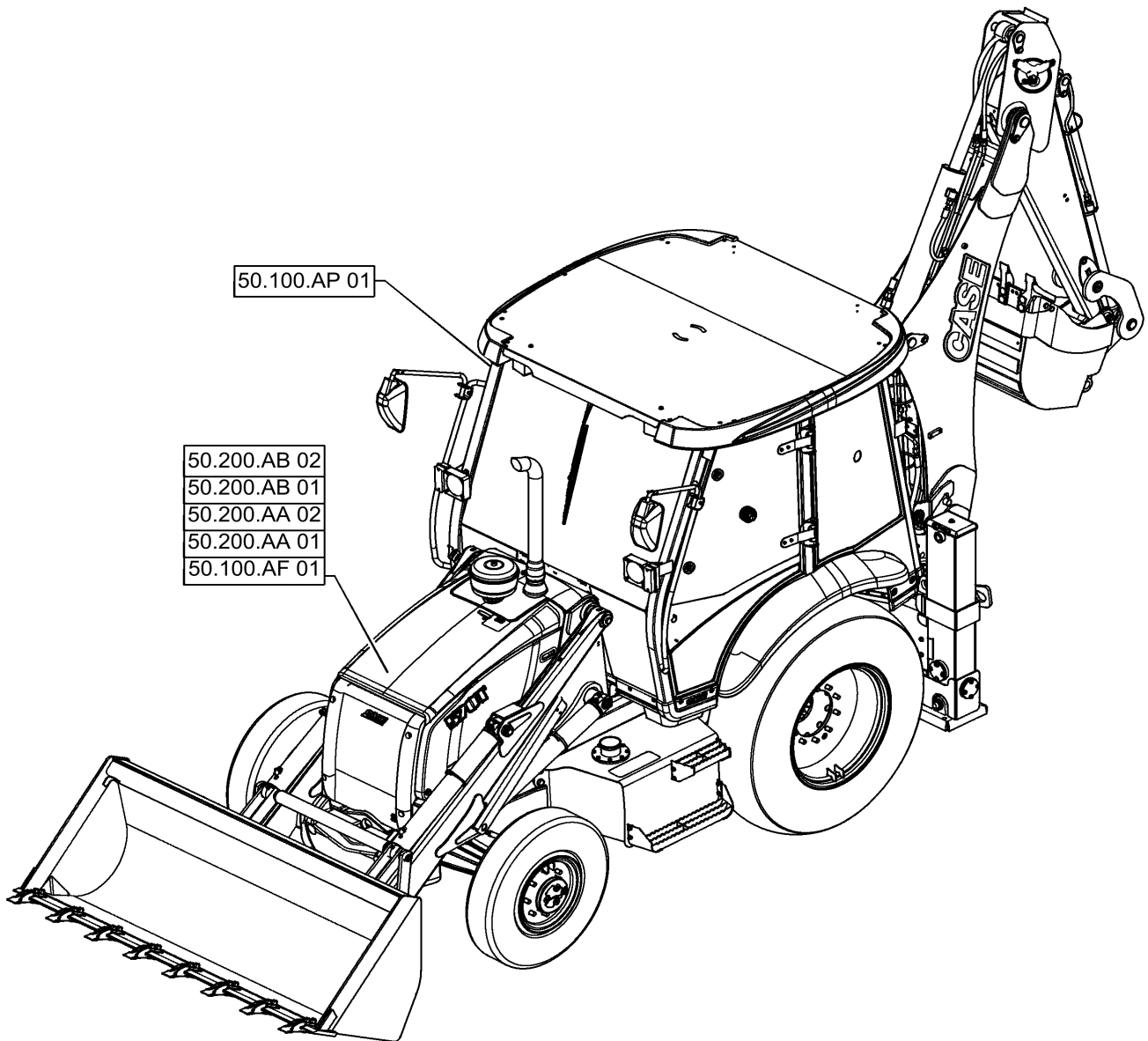
50.000.00

01

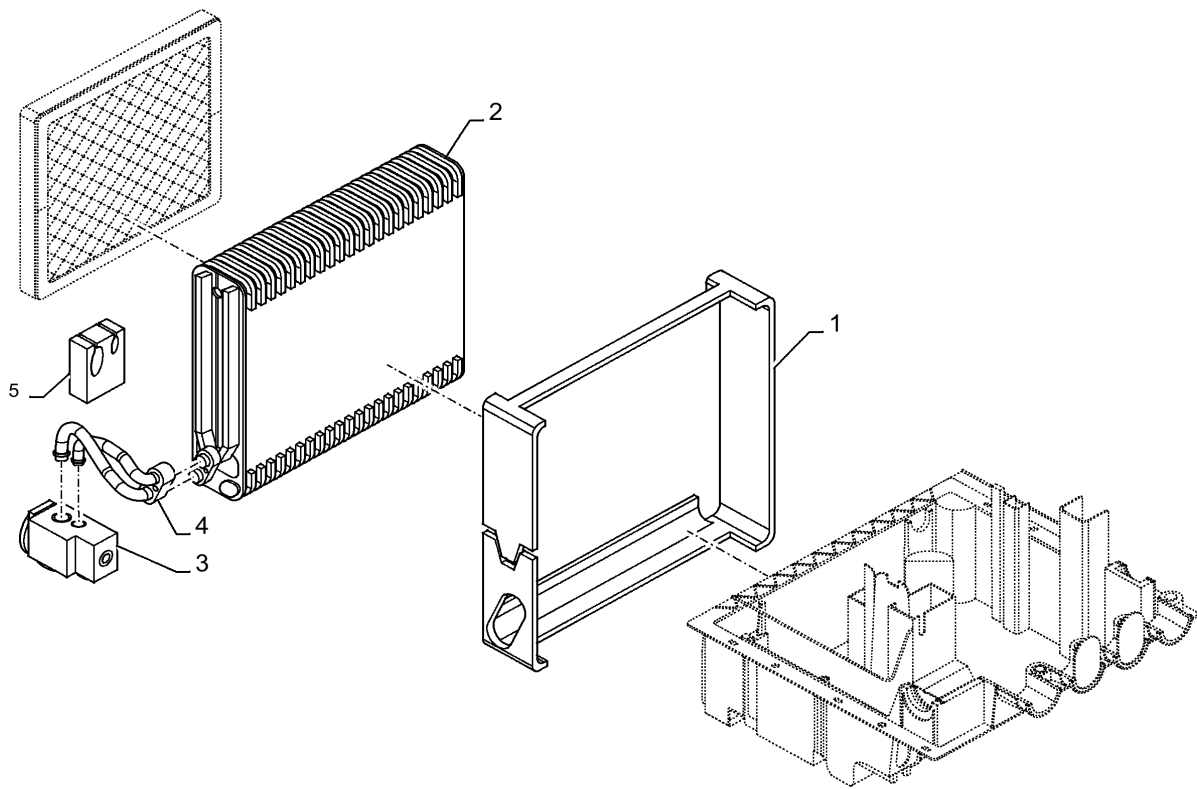
p1

5/2019

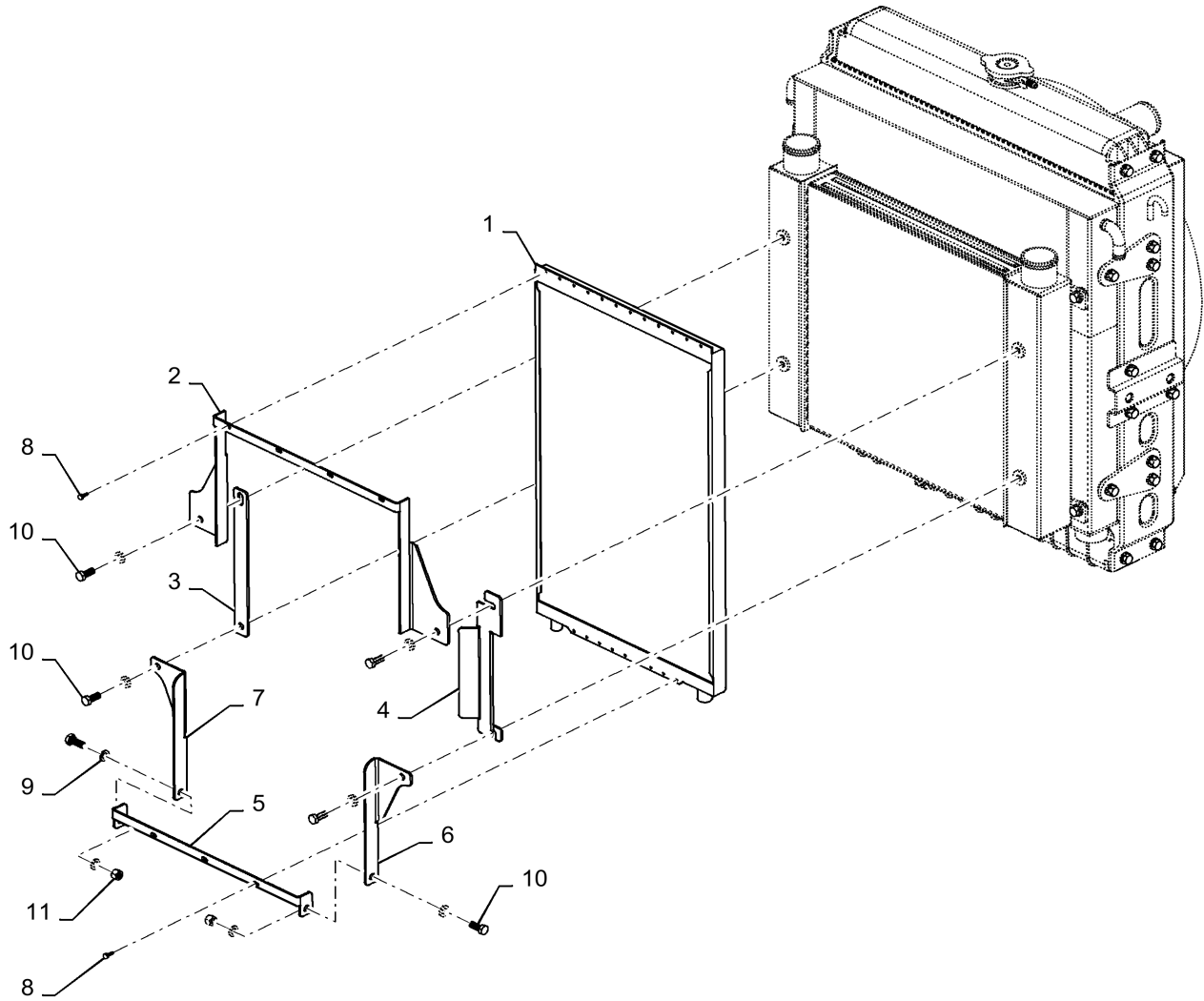
SECTION INDEX - CAB CLIMATE CONTROL



HVAC, EVAPORATOR



AC KIT



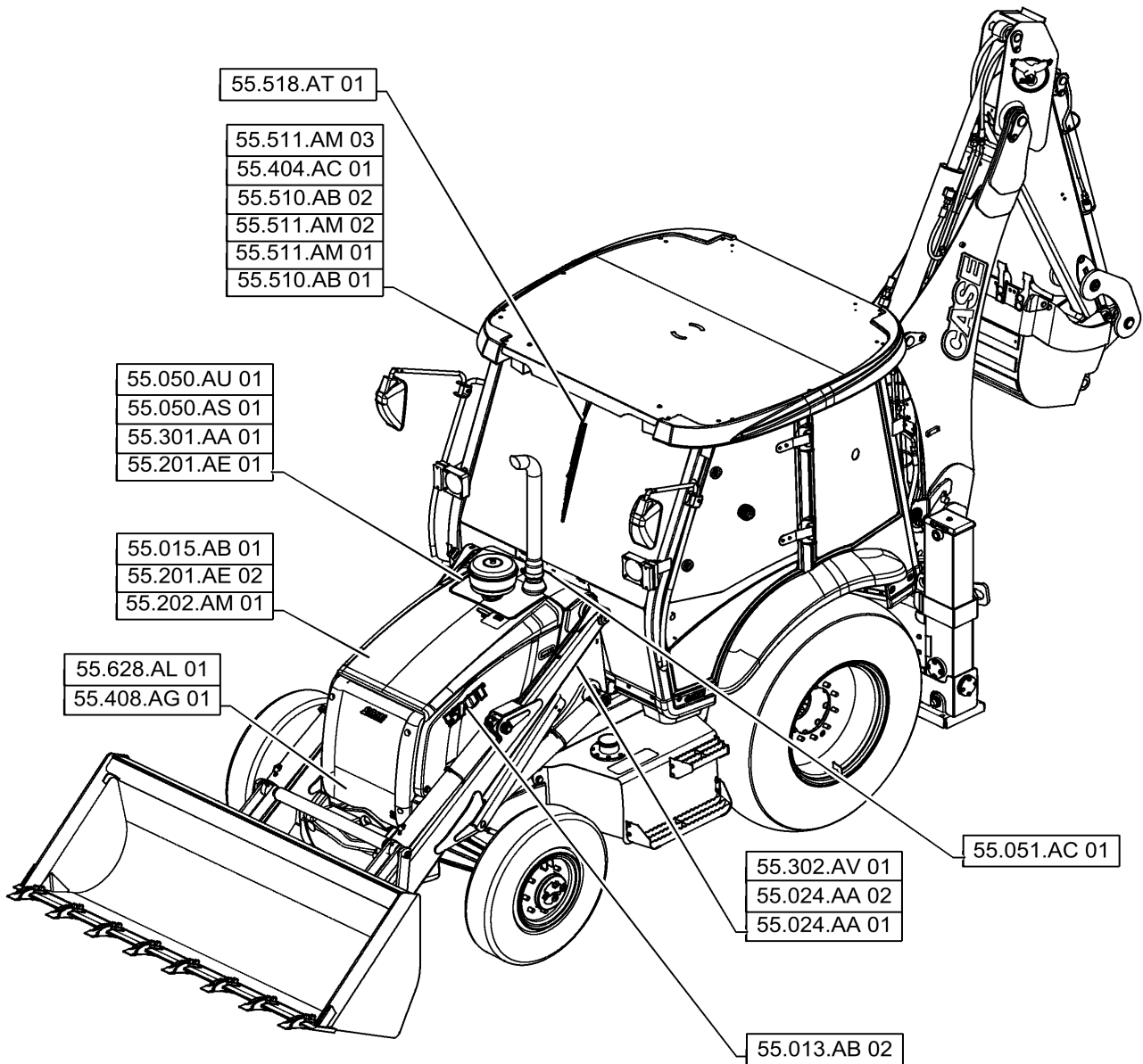
55.000.00

01

p1

5/2019

PICTORIAL INDEX - ELECTRICAL SYSTEMS



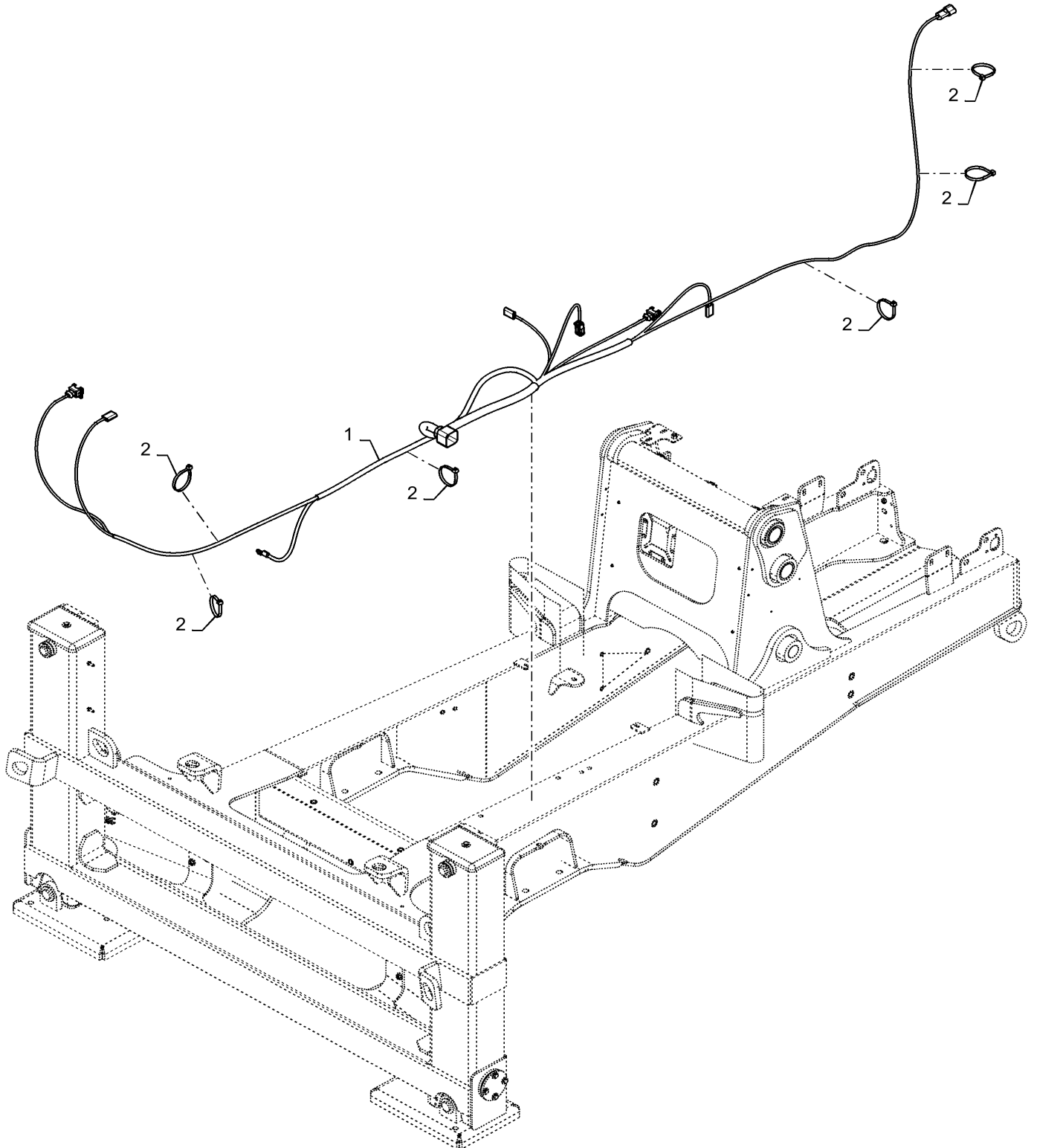
55.024.AA

01

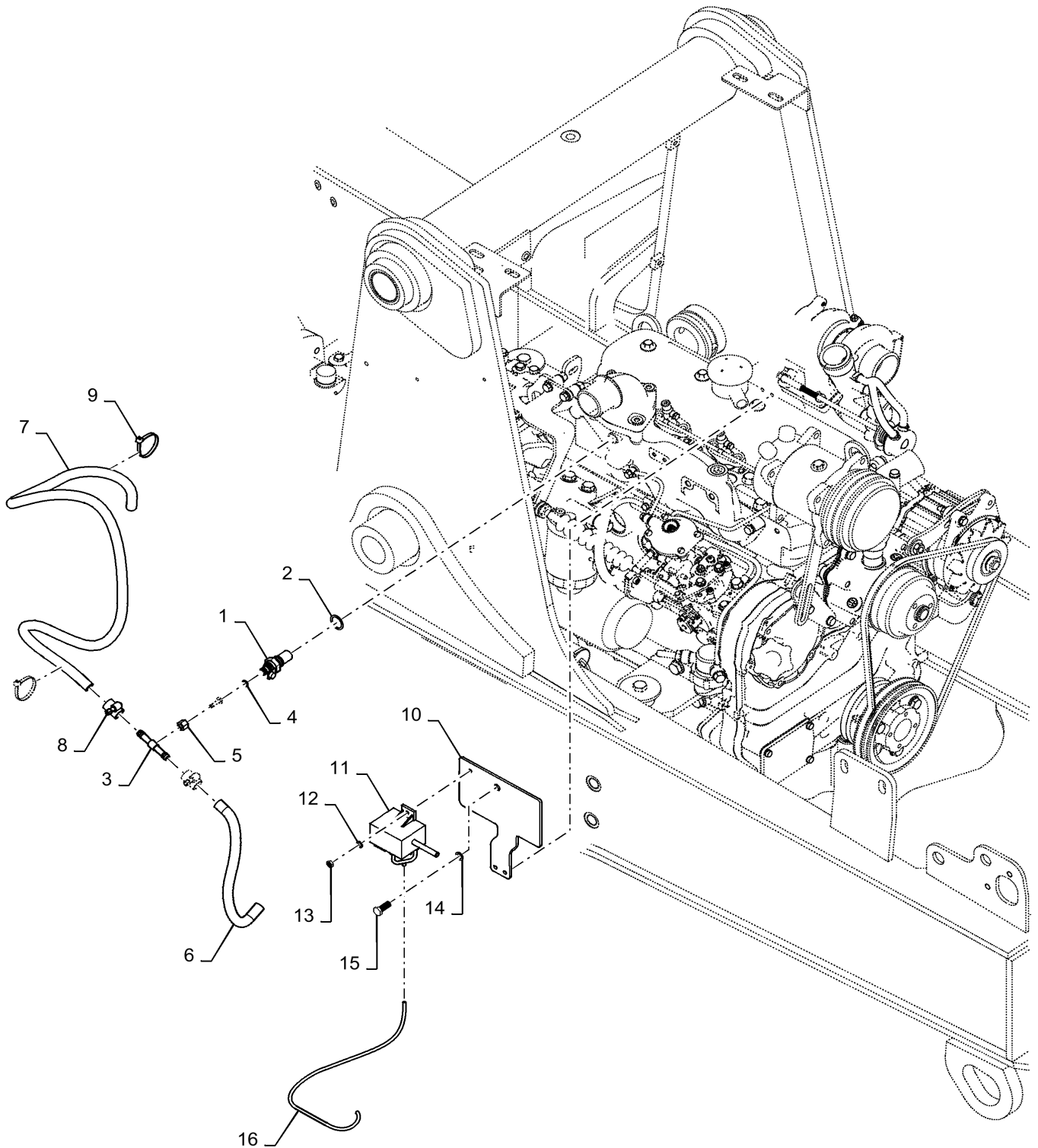
p1

5/2019

TRANSMISSION WIRING HARNESS



COLD START KIT



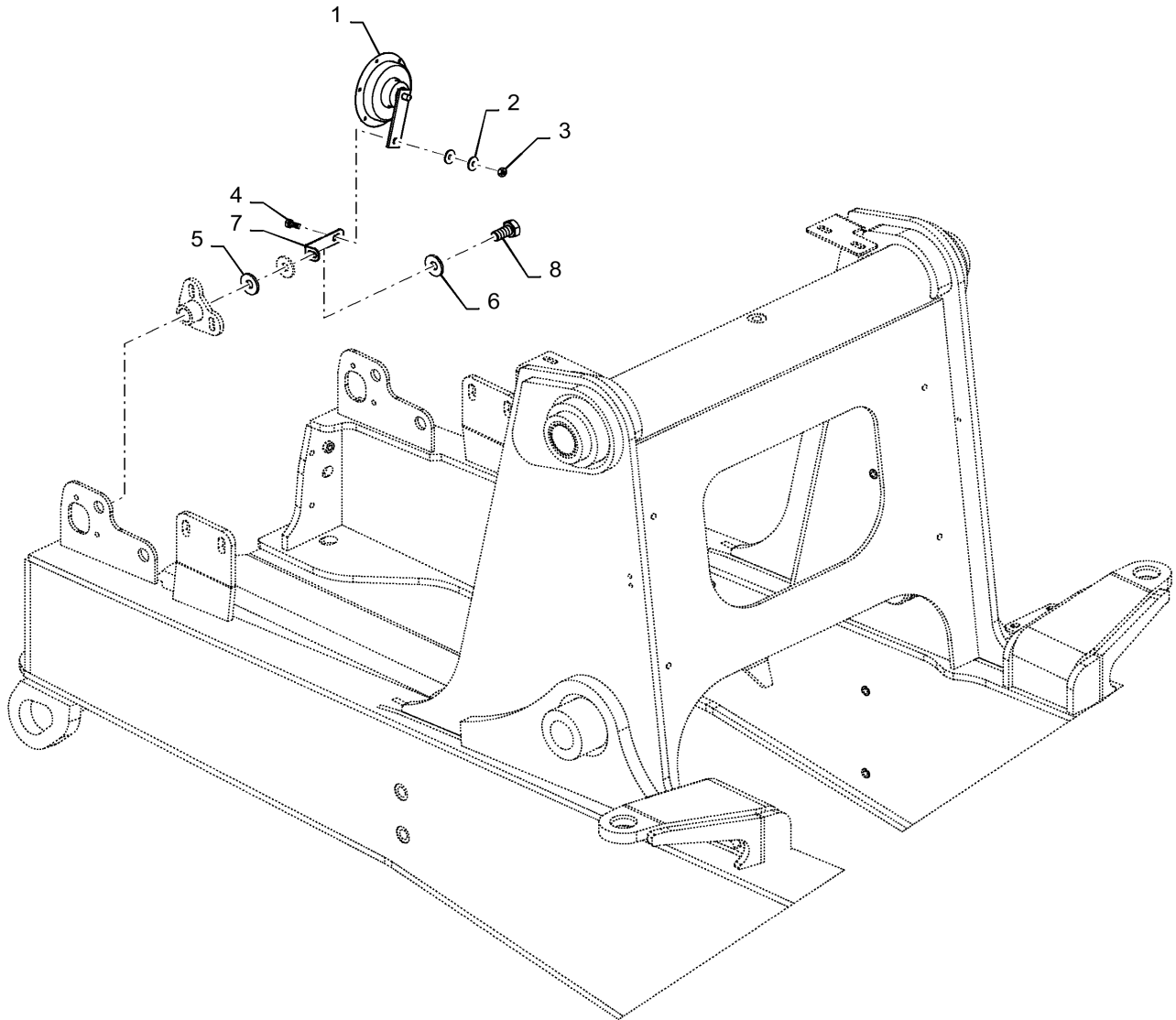
55.408.AG

01

p1

5/2019

HORN AND SENSOR MOUNTING, LIVERY



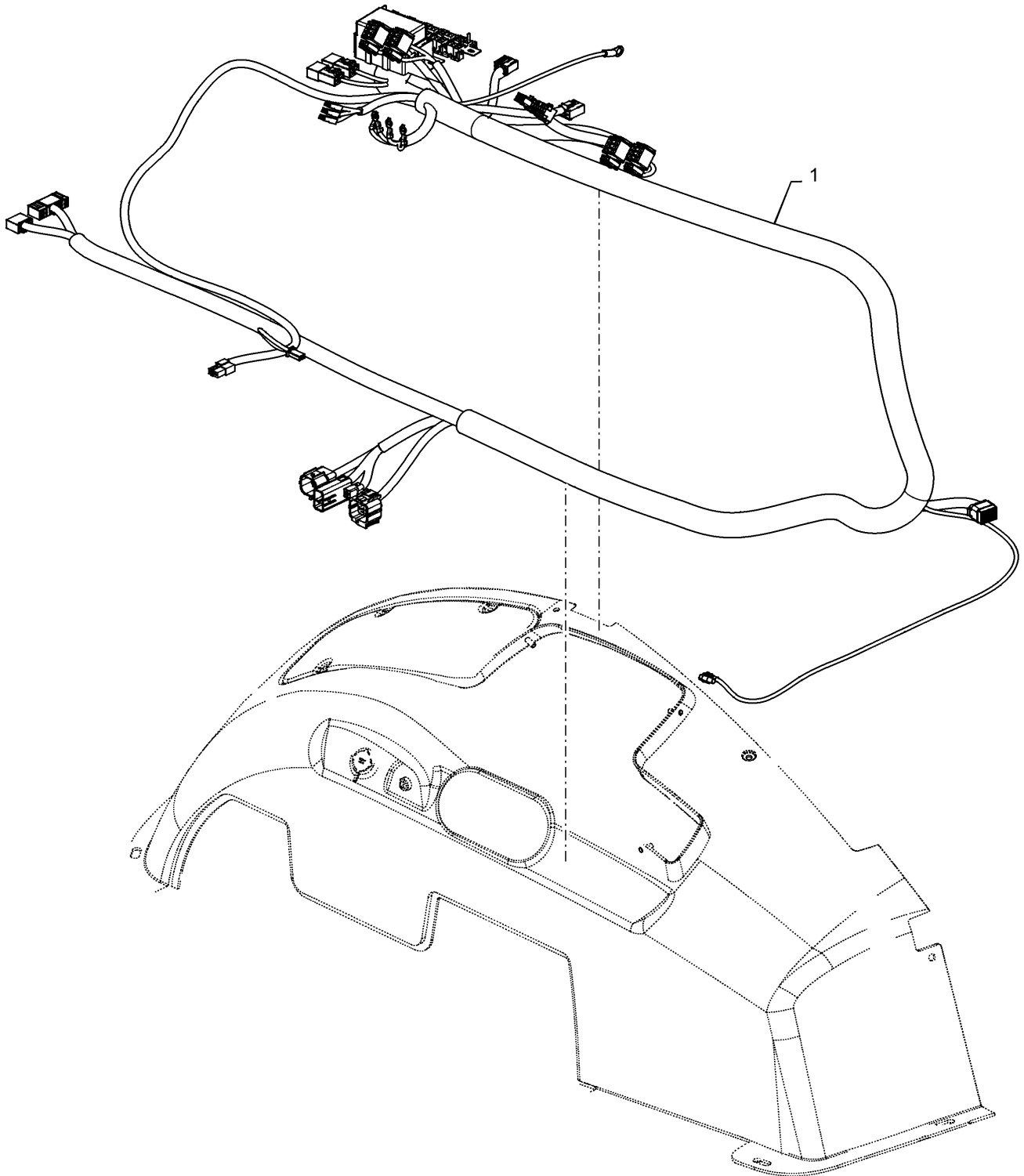
55.510.BQ

02

p1

5/2019

WIRING HARNESS



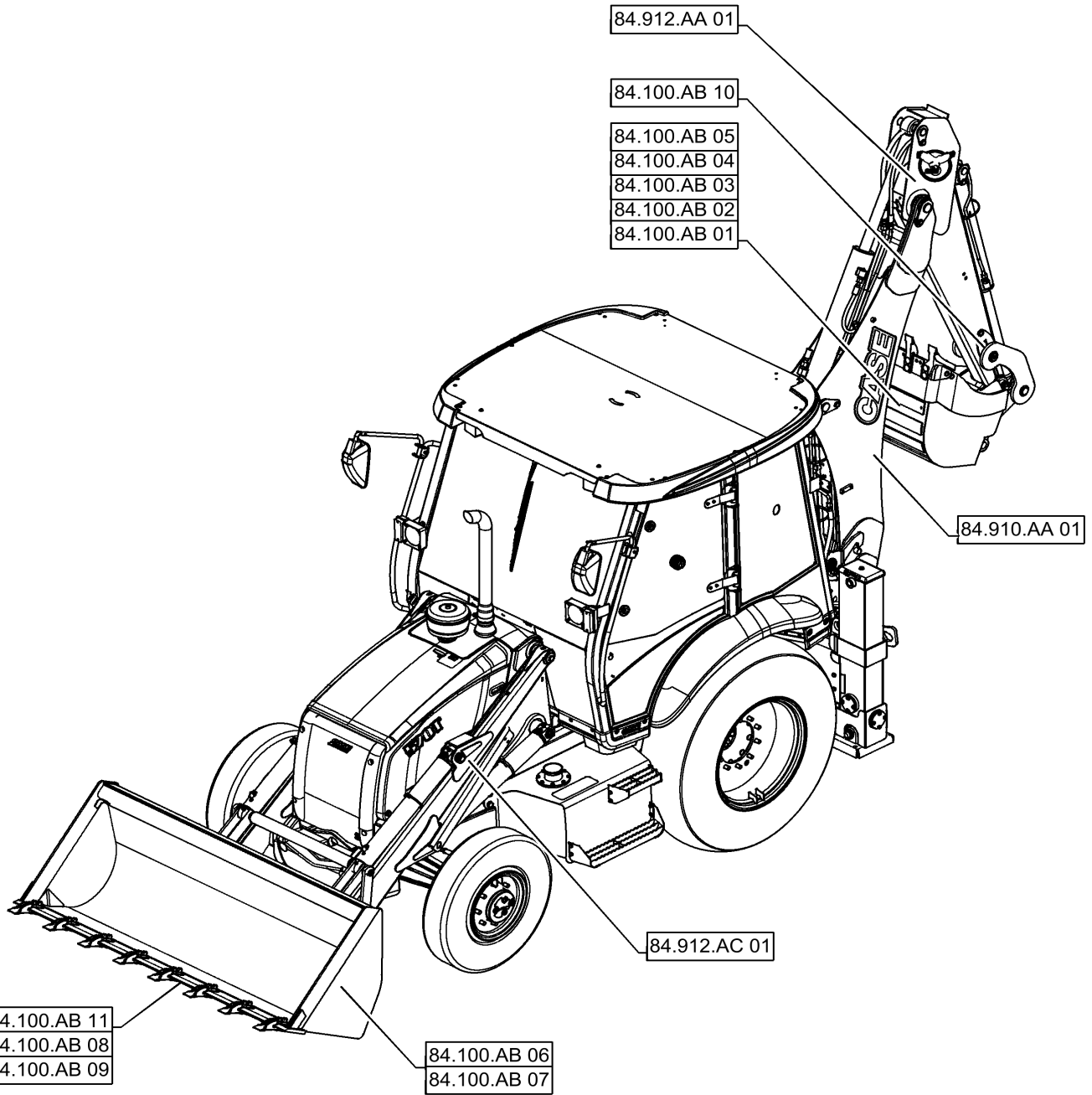
84.000.00

01

p1

5/2019

SECTION INDEX - BOOMS, DIPPERS AND BUCKET



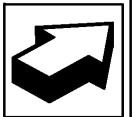
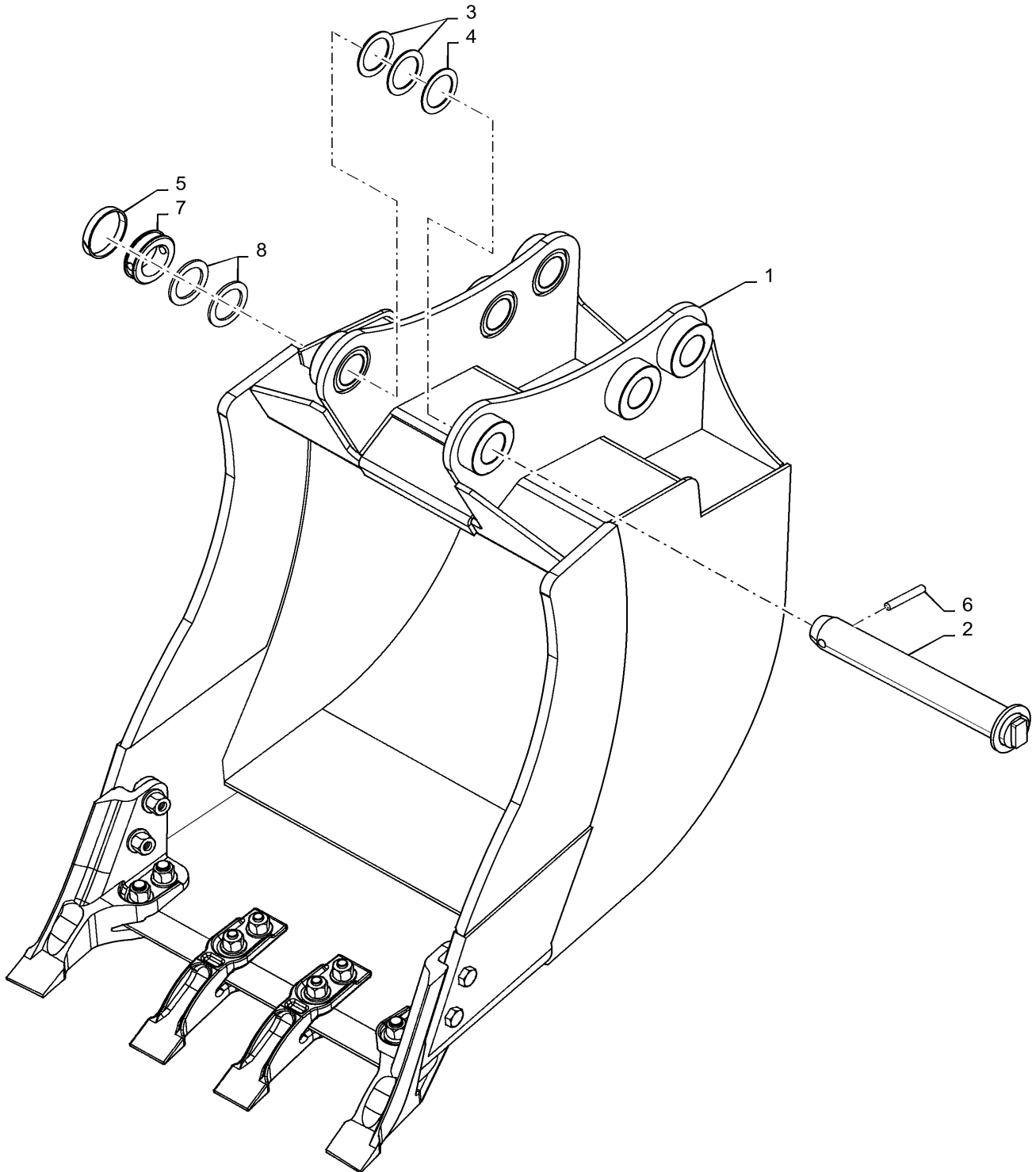
84.100.AB

05

p1

5/2019

BACKHOE BUCKET ASSEMBLY, 24"



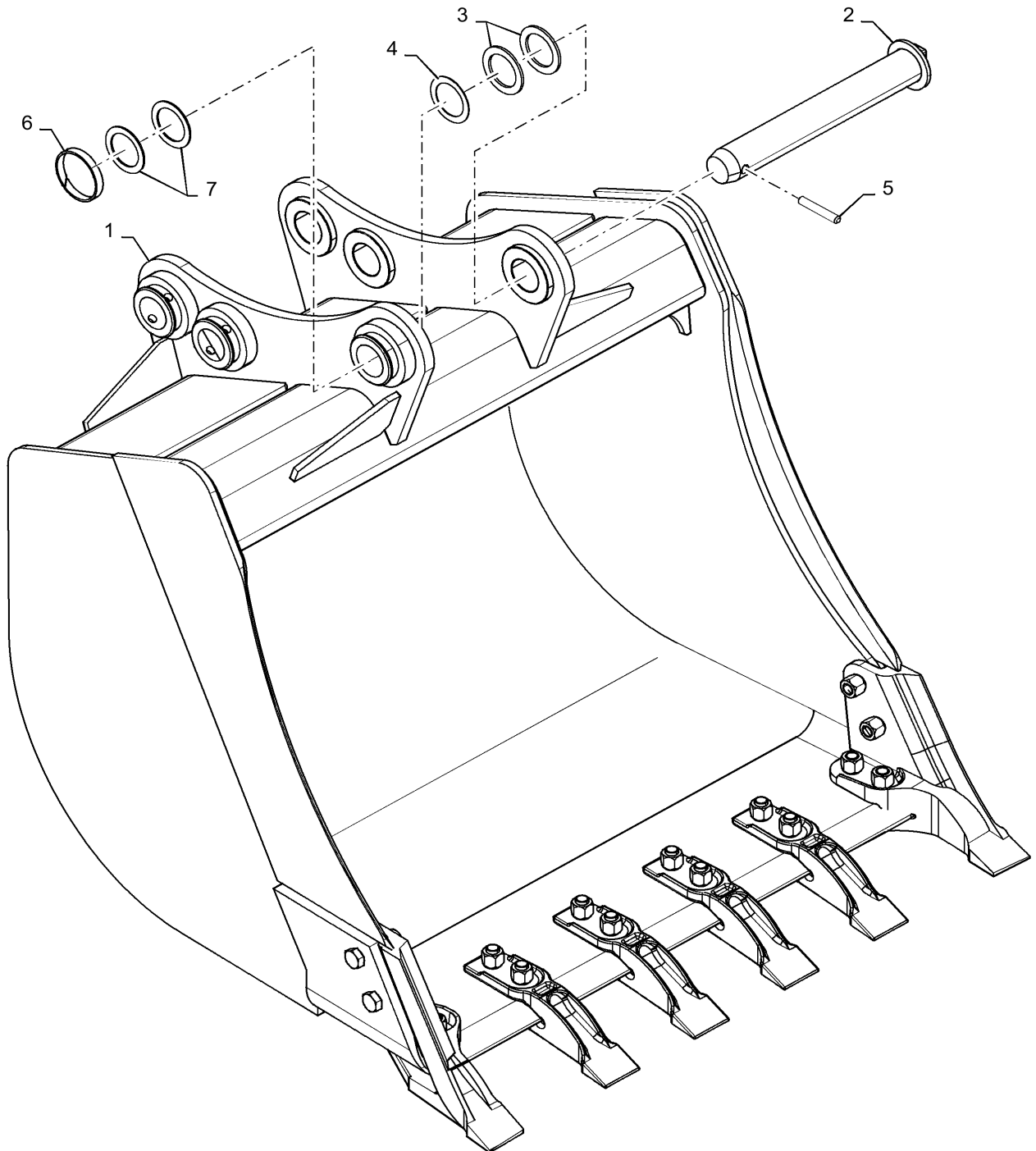
84.100.AB

08

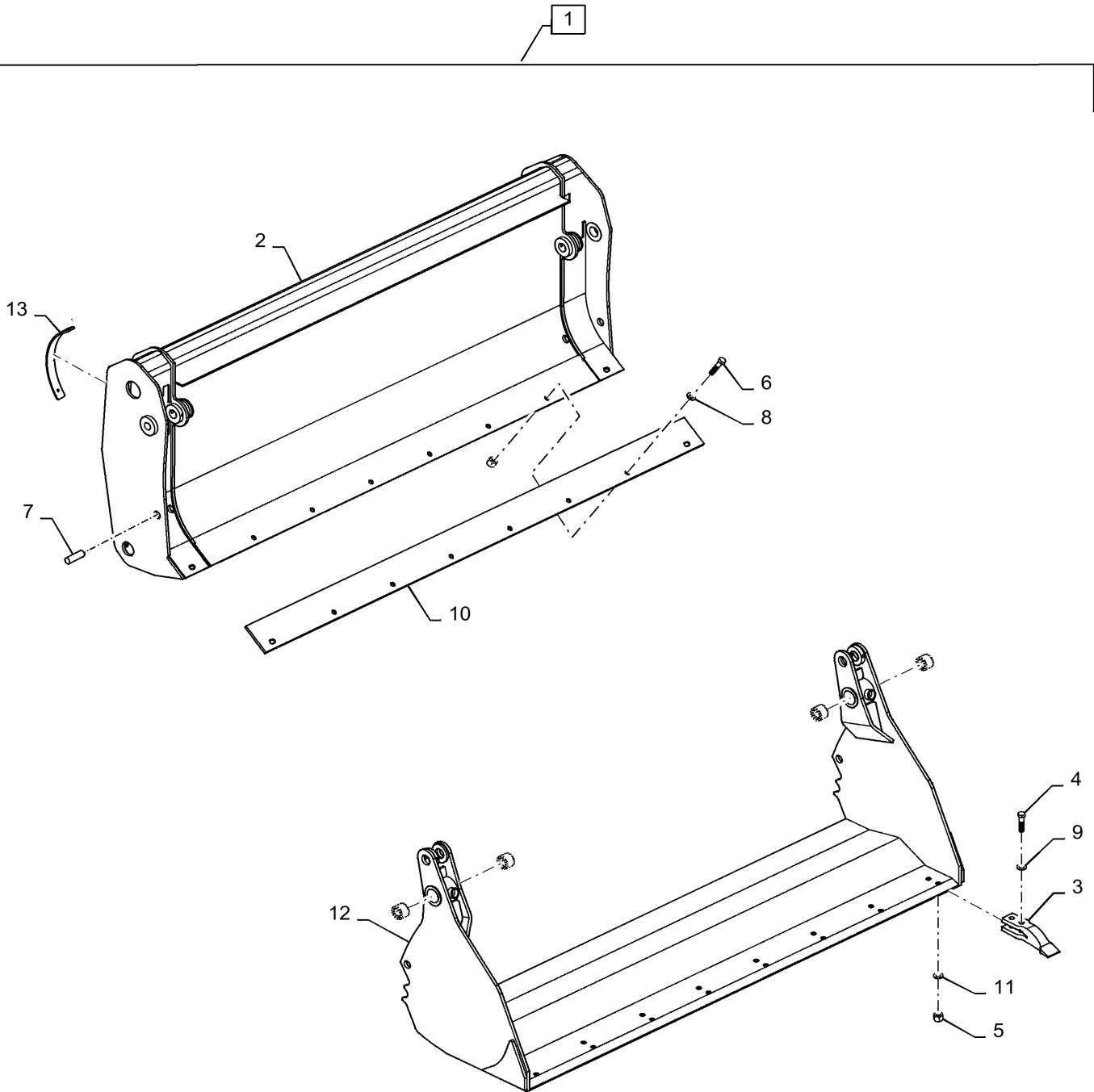
p1

5/2019

BACKHOE BUCKET, ASSY, 36"



BDB LOADER BUCKET 4 IN 1



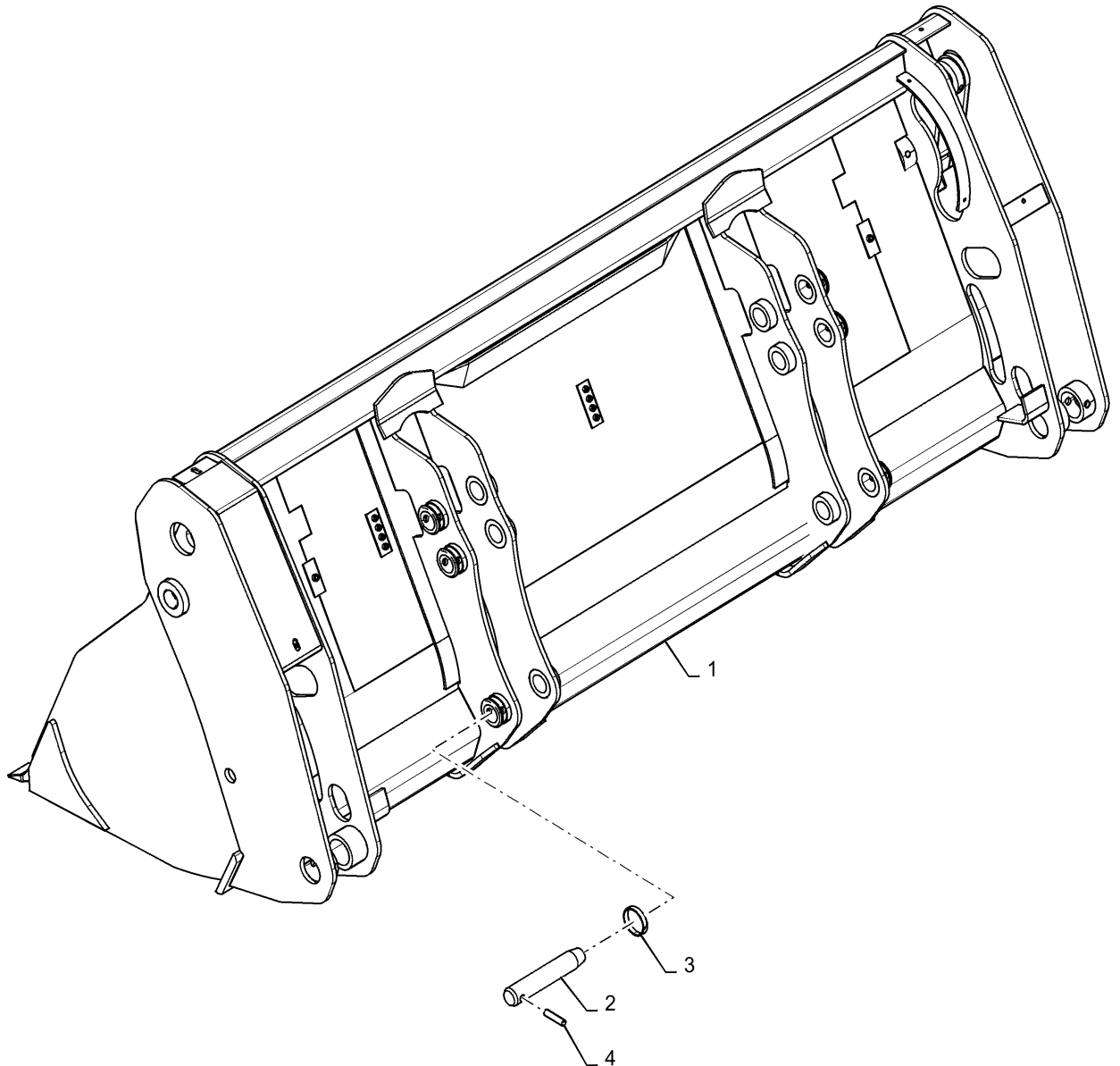
84.100.AB

18

p1

5/2019

LOADER BUCKET ASSEMBLY, 4 IN 1, 89 IN W/BOLT ON TEETH



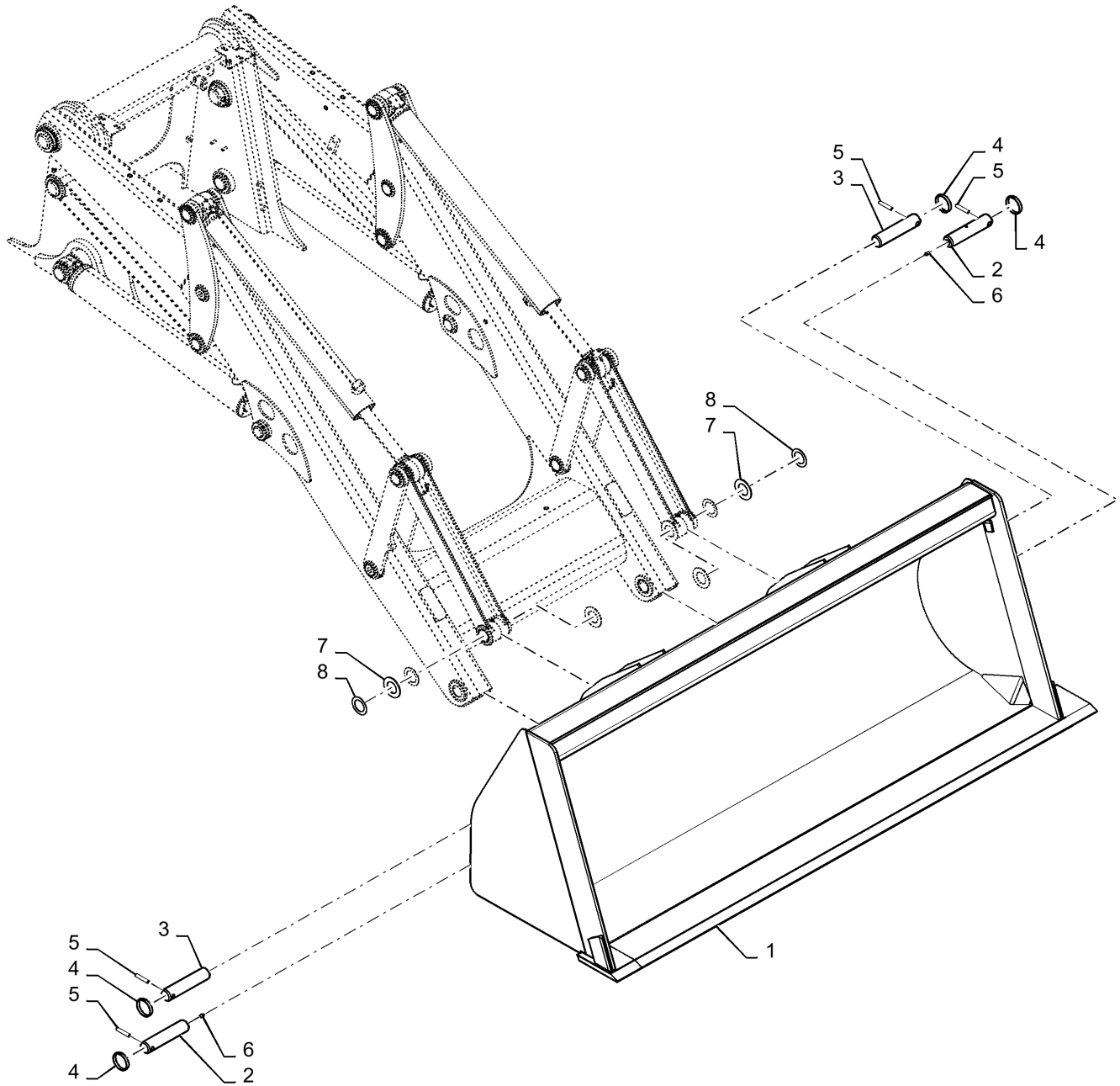
84.100.AB

28

p1

5/2019

LOADER BUCKET, STD, , 90" W/TEE, 1.2 CUM, BEND LOADER ARM



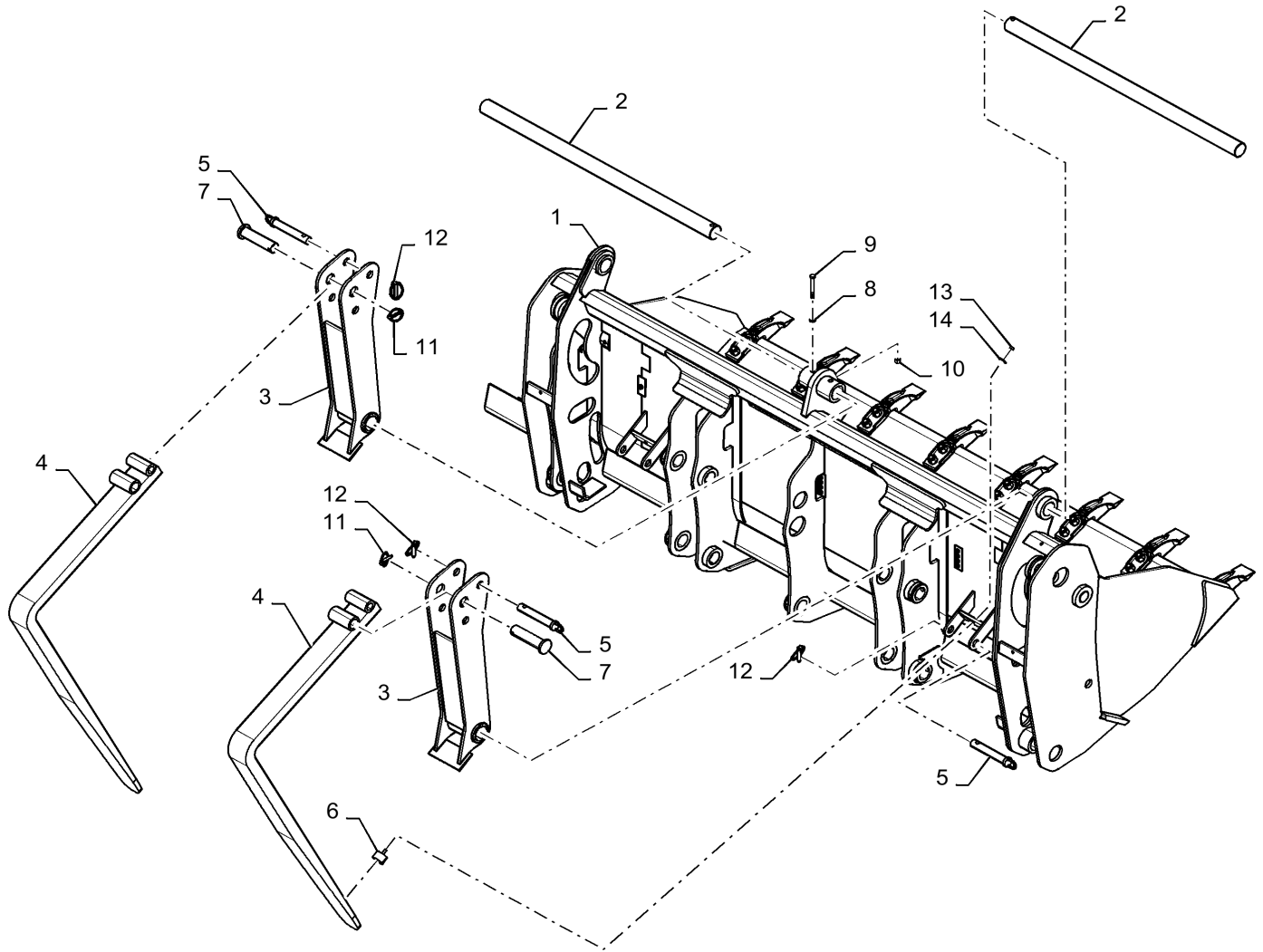
84.100.AB

33

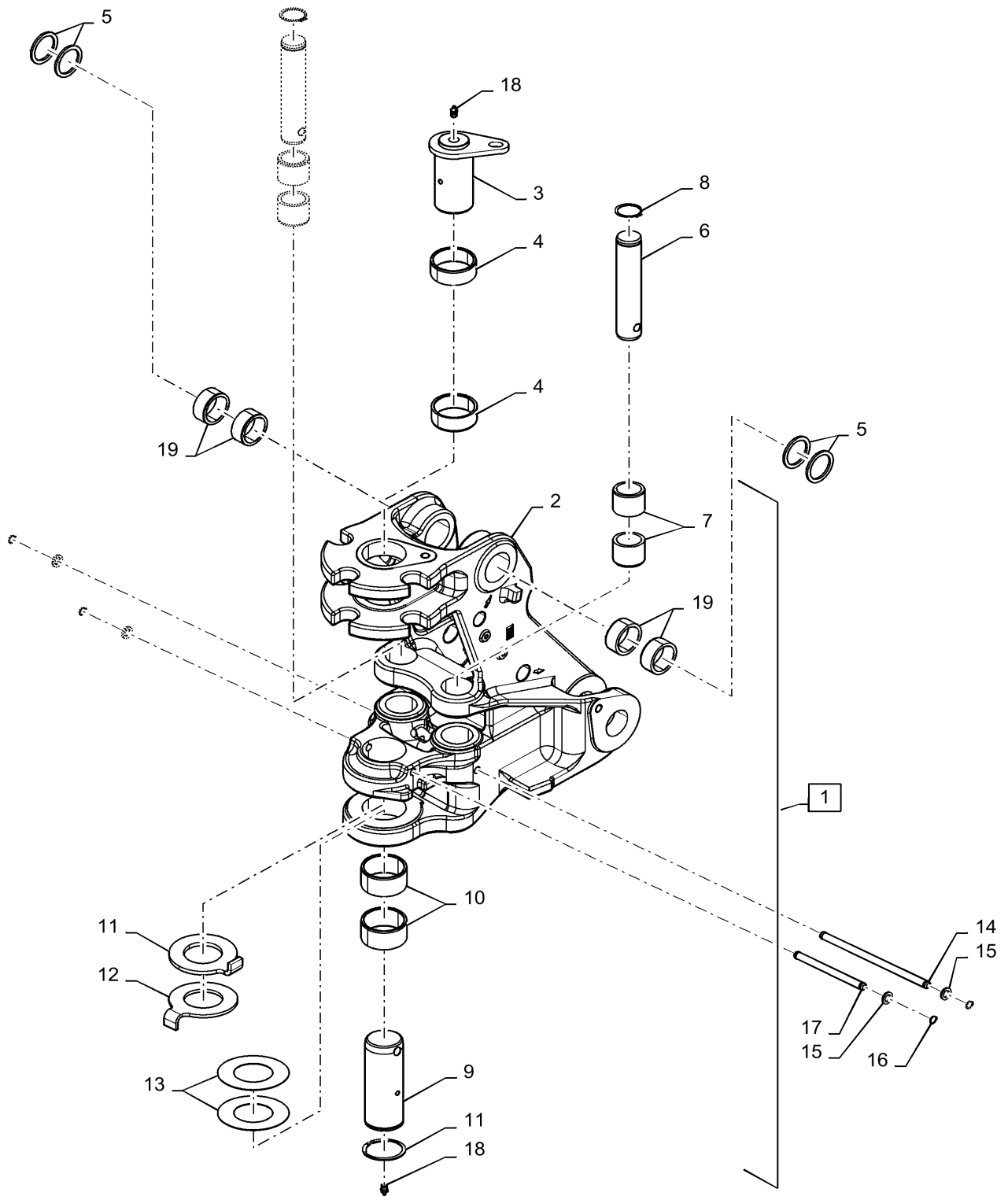
p1

5/2019

BDB BUCKET, 6 IN 1, BEND LOADER ARM



SWING TOWER, SLIDE FRAME SUB ASSY



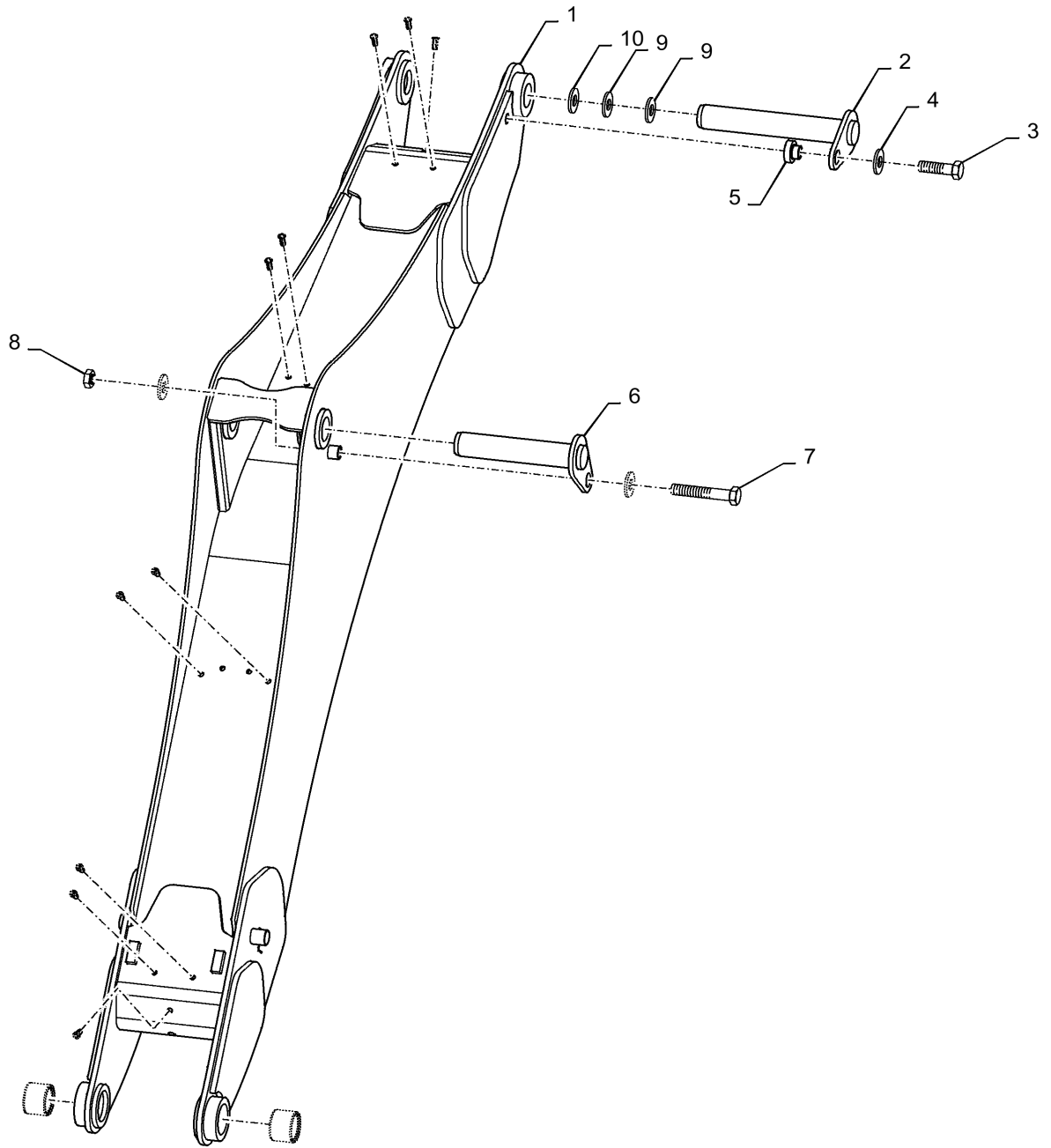
84.910.AA

01

p1

5/2019

BOOM ASSY, STD BACKHOE



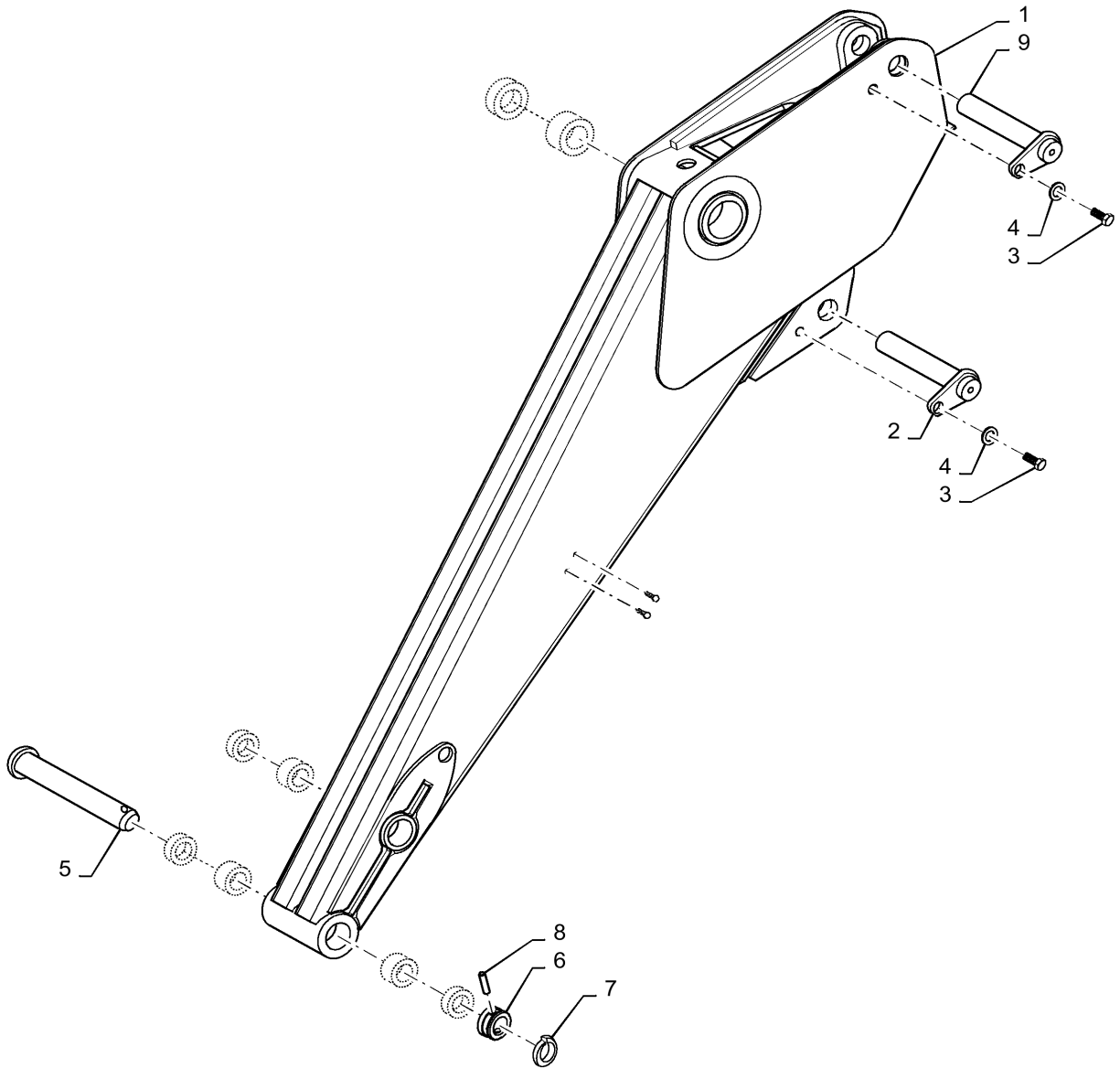
84.912.AA

02

p1

5/2019

DIPPER ASSY, STD BACKHOE



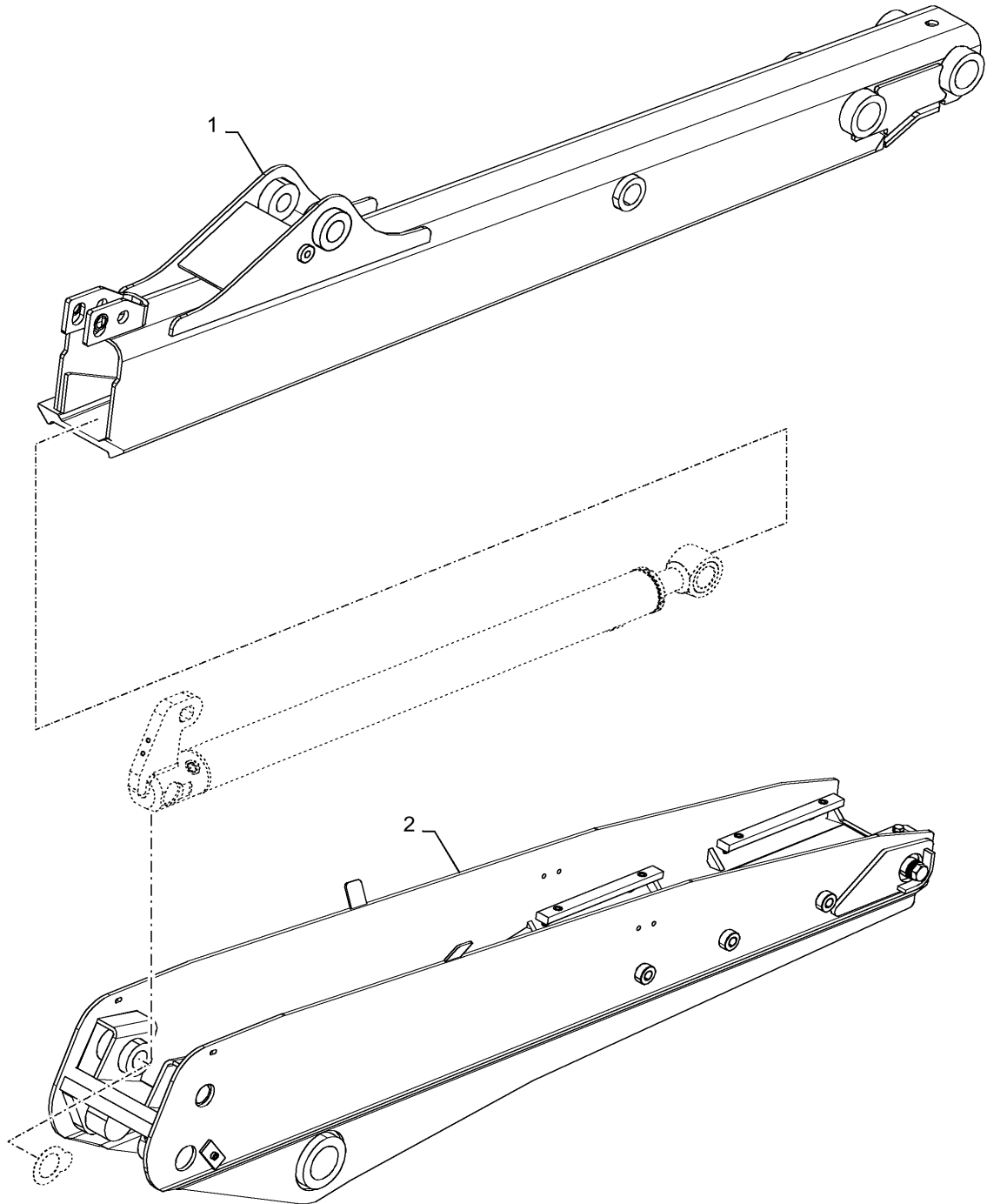
84.912.AC

04

p1

5/2019

EHOE 14FT, LIVERY



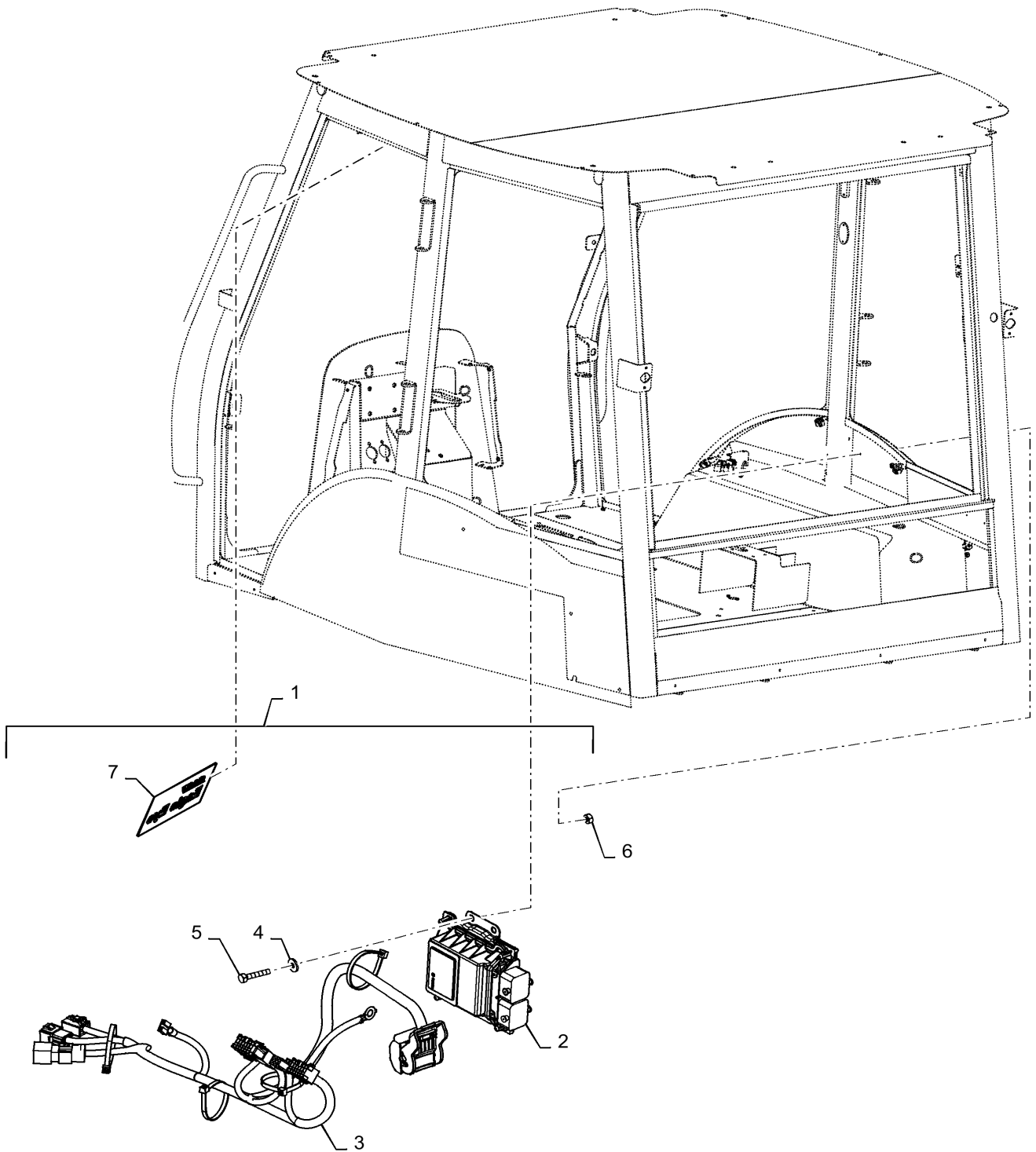
88.100.55

02

p1

5/2019

KIT, TELEMATICS BOX, BOSCH



SECTION INDEX

PLATFORM, CAB, BODYWORK AND DECALS

90.160.BI	01	PILLAR TRIM PLATE
90.160.BY	01	SIDE CONSOLE, RH, LIVERY
90.160.BY	02	SIDE CONSOLE
90.160.BY	03	SIDE CONSOLE, LIVERY
90.160.BY	04	SIDE CONSOLE
90.160.BY	05	WHEATHER CONTROL DASHBOARD
90.160.BY	06	SIDE CONSOLE, LH - WITH HVAC, LIVERY
90.160.BY	07	RH LOADER CONSOLE HVAC, LIVERY

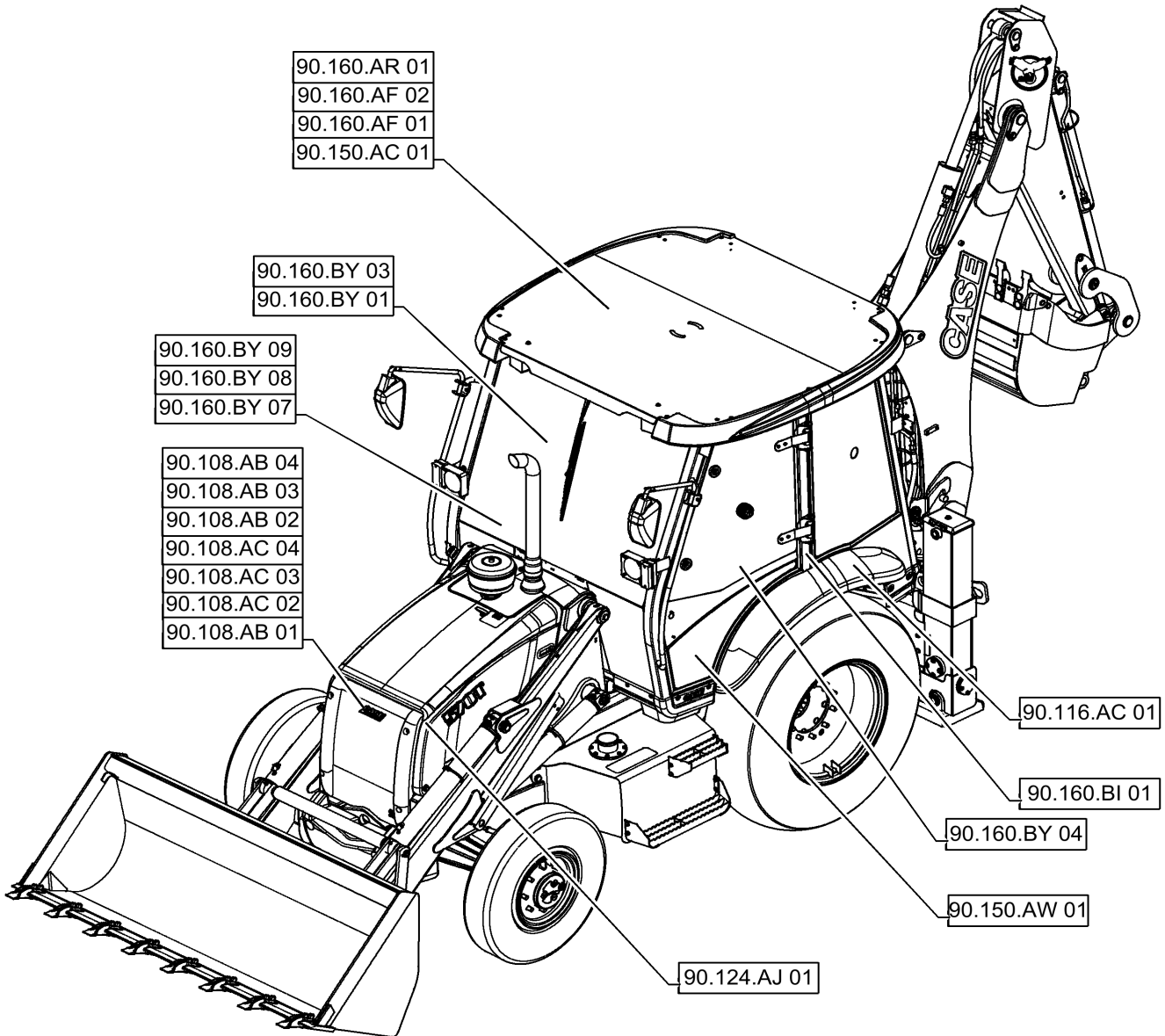
90.000.00

03

p1

5/2019

SECTION INDEX - PLATFORM, CAB, BODYWORK & DECALS



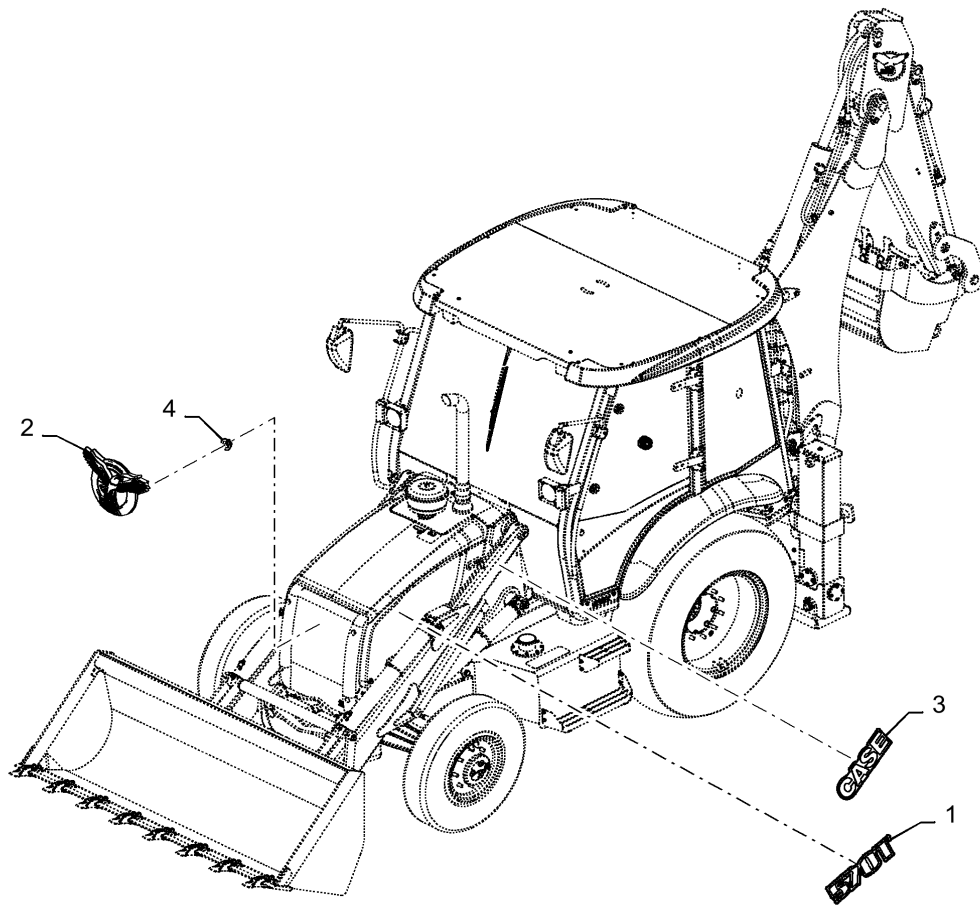
90.108.AB

02

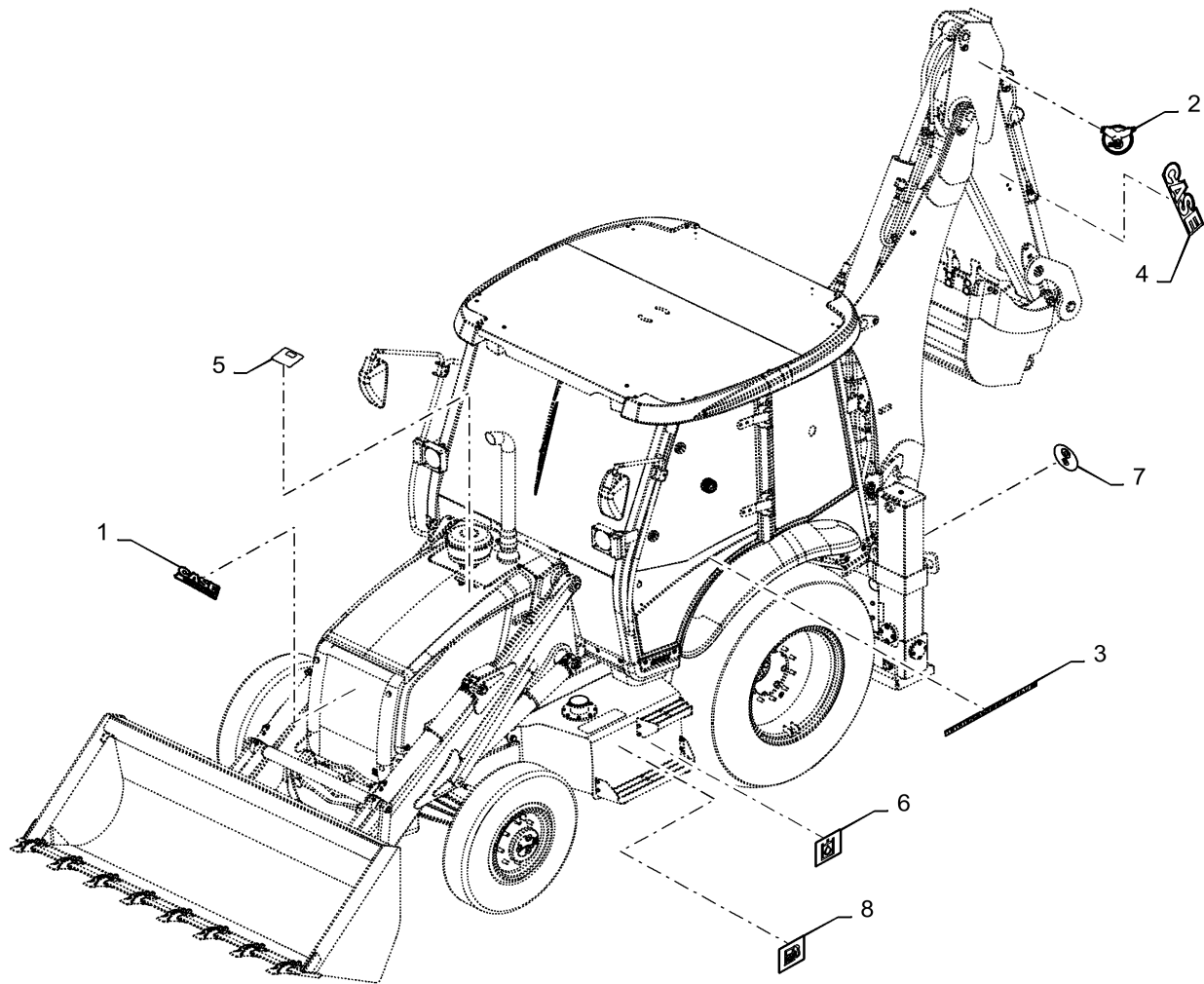
p1

5/2019

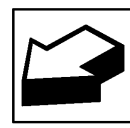
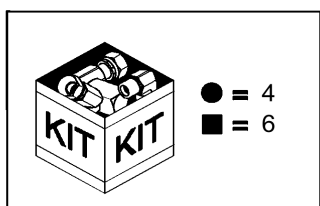
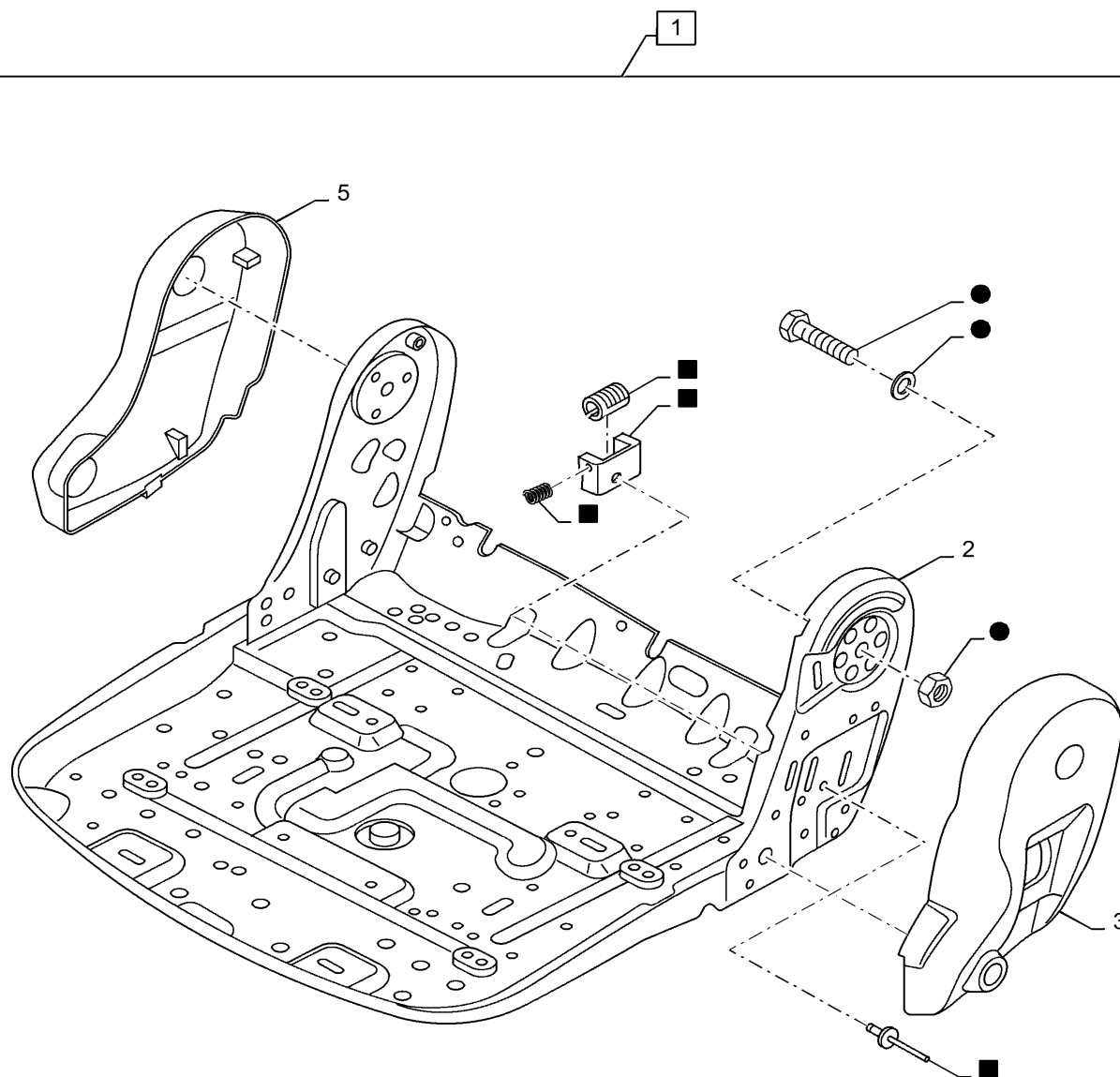
BRAND AND MODEL DECAL, LIVERY



DECALS

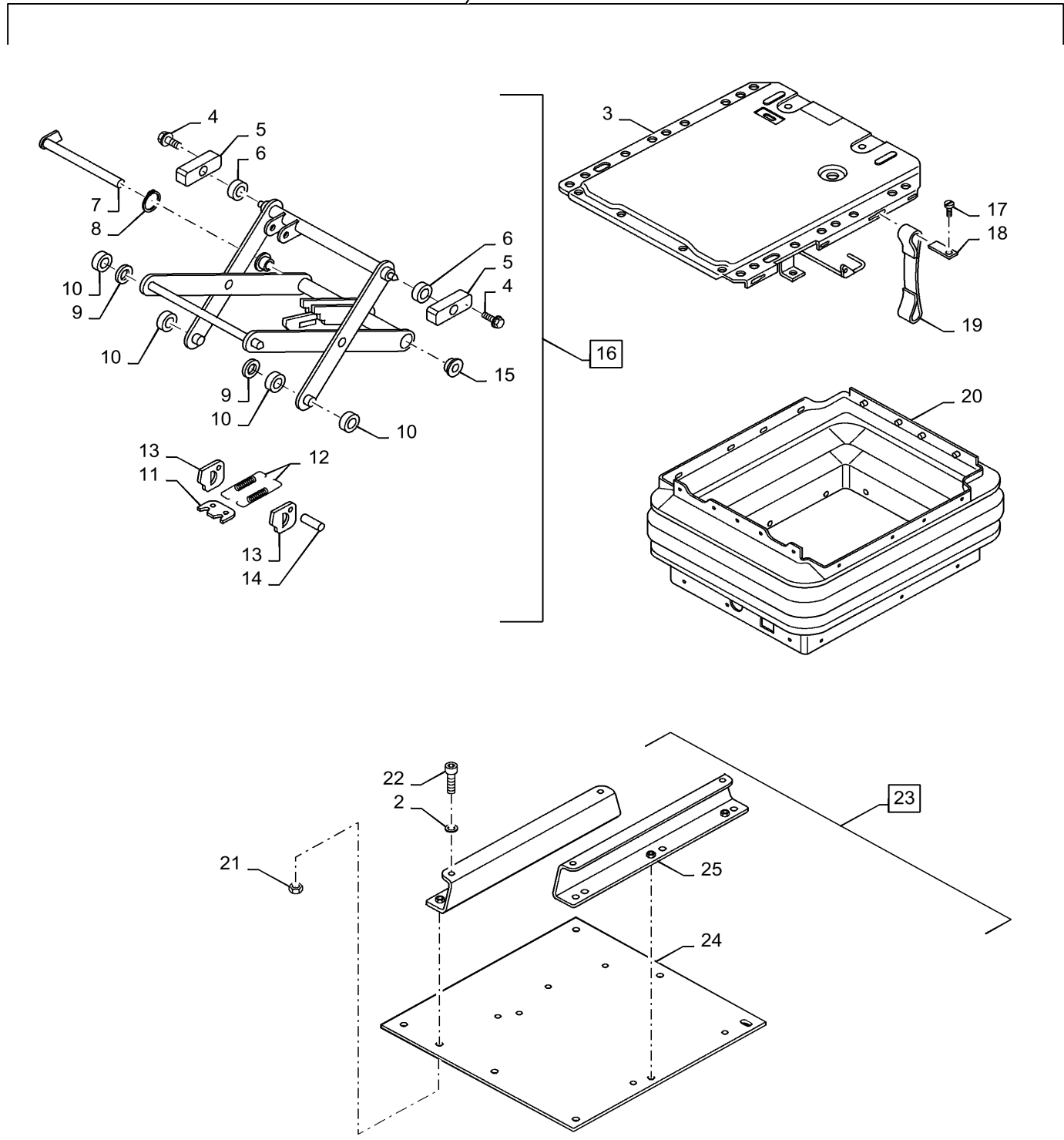


OPERATOR SEAT



OPERATOR SEAT

1



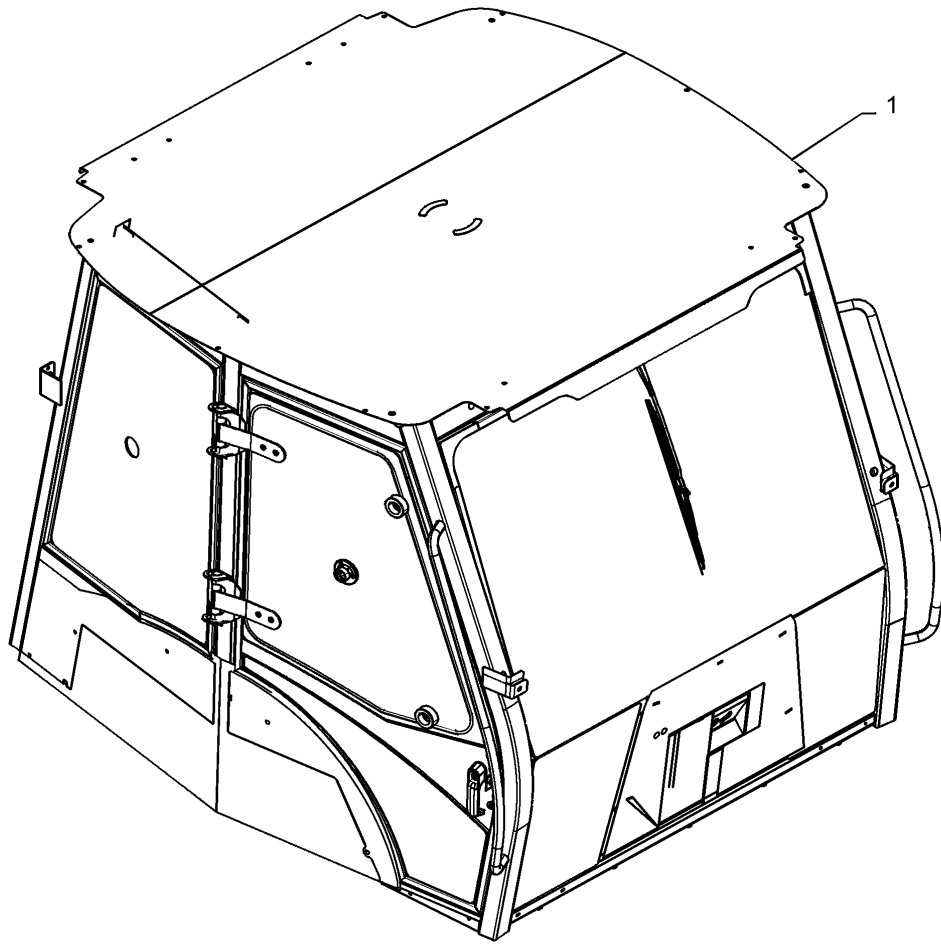
90.150.AC

02

p1

5/2019

CAB, SEMI DRESSED, EXPORT HVAC



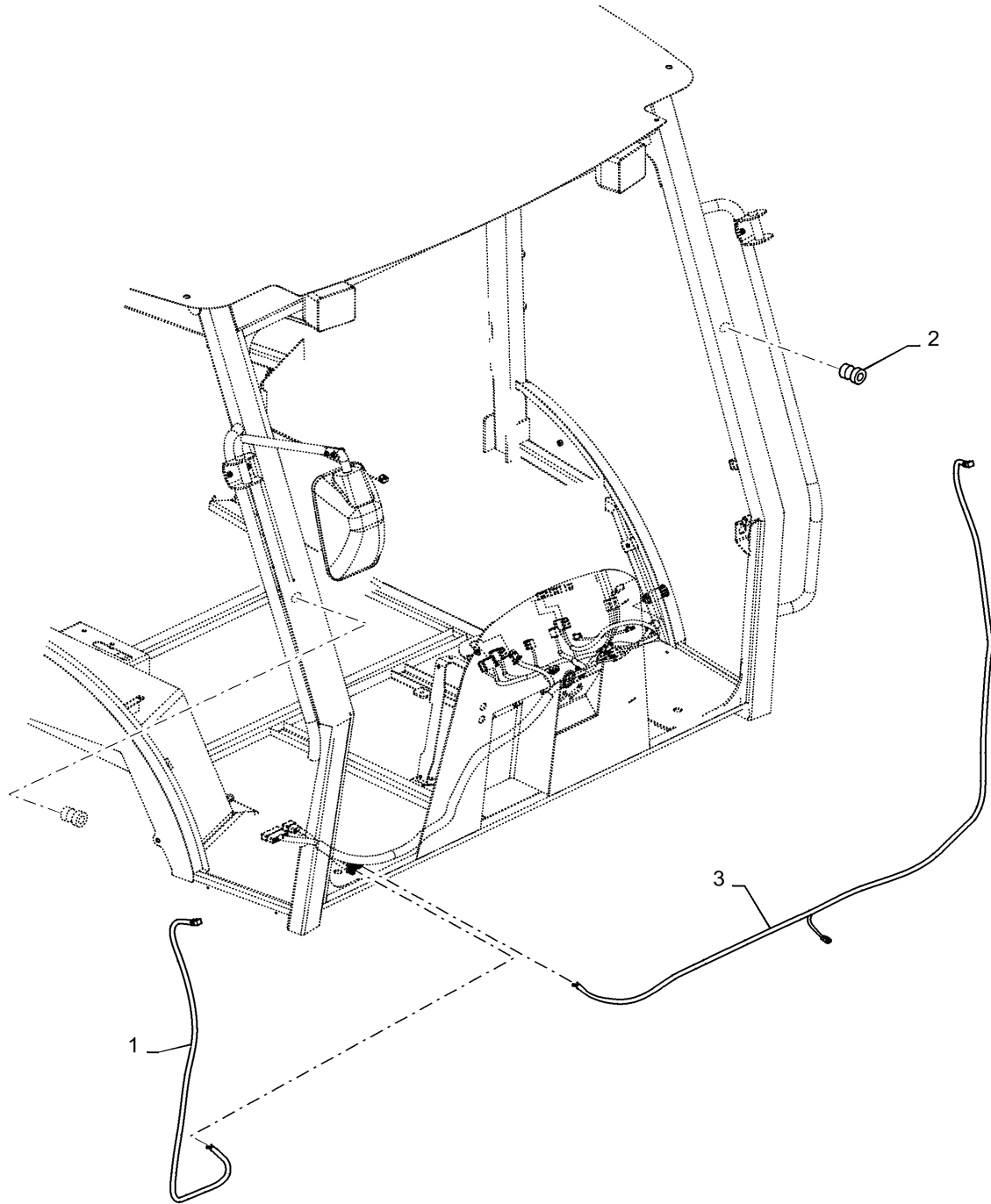
90.150.AE

04

p1

5/2019

FRONT EXTERIOR COMPONENT



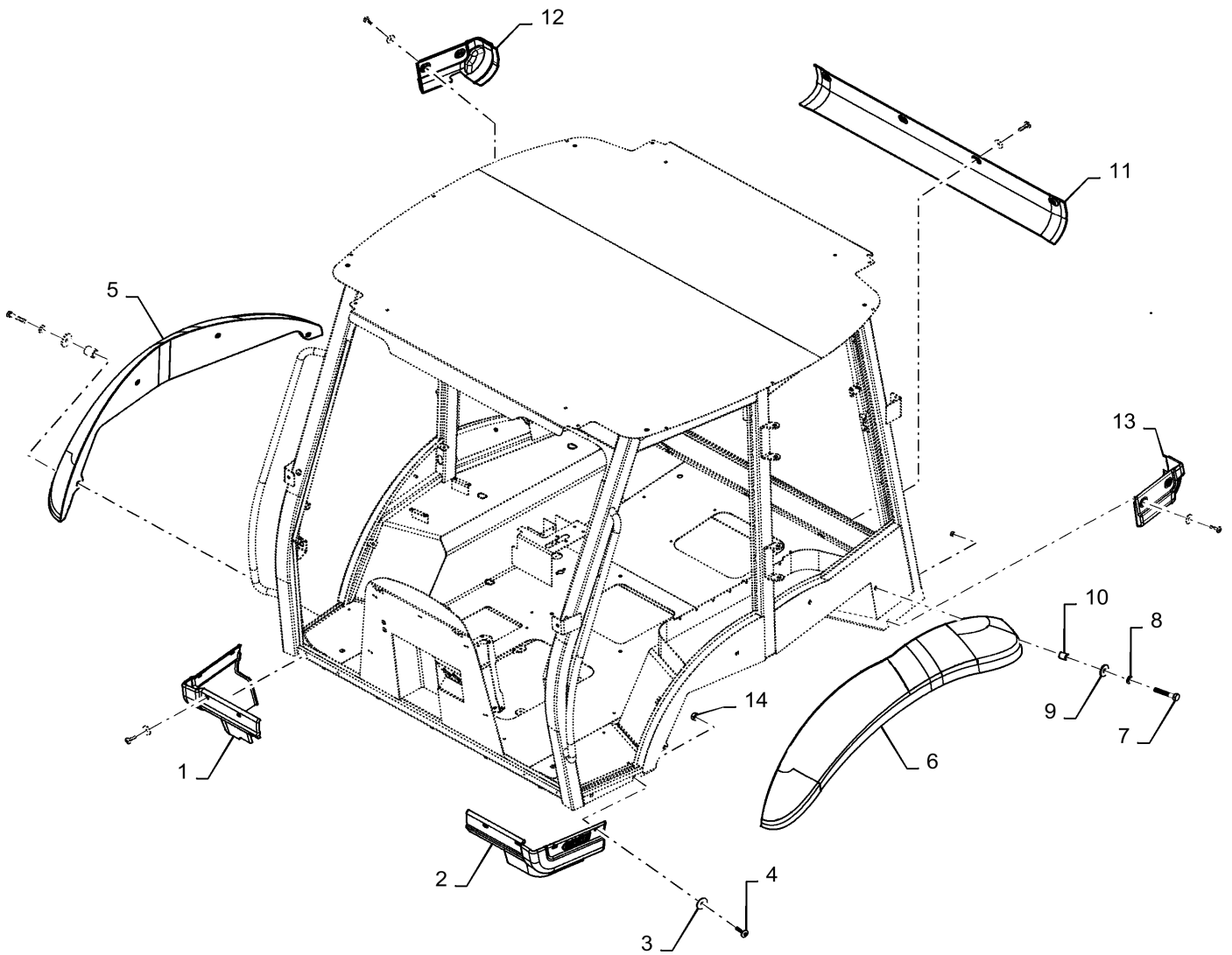
90.150.BJ

01

p1

5/2019

CABIN ASSEMBLY, FENDER AND SKIRTS, LIVERY



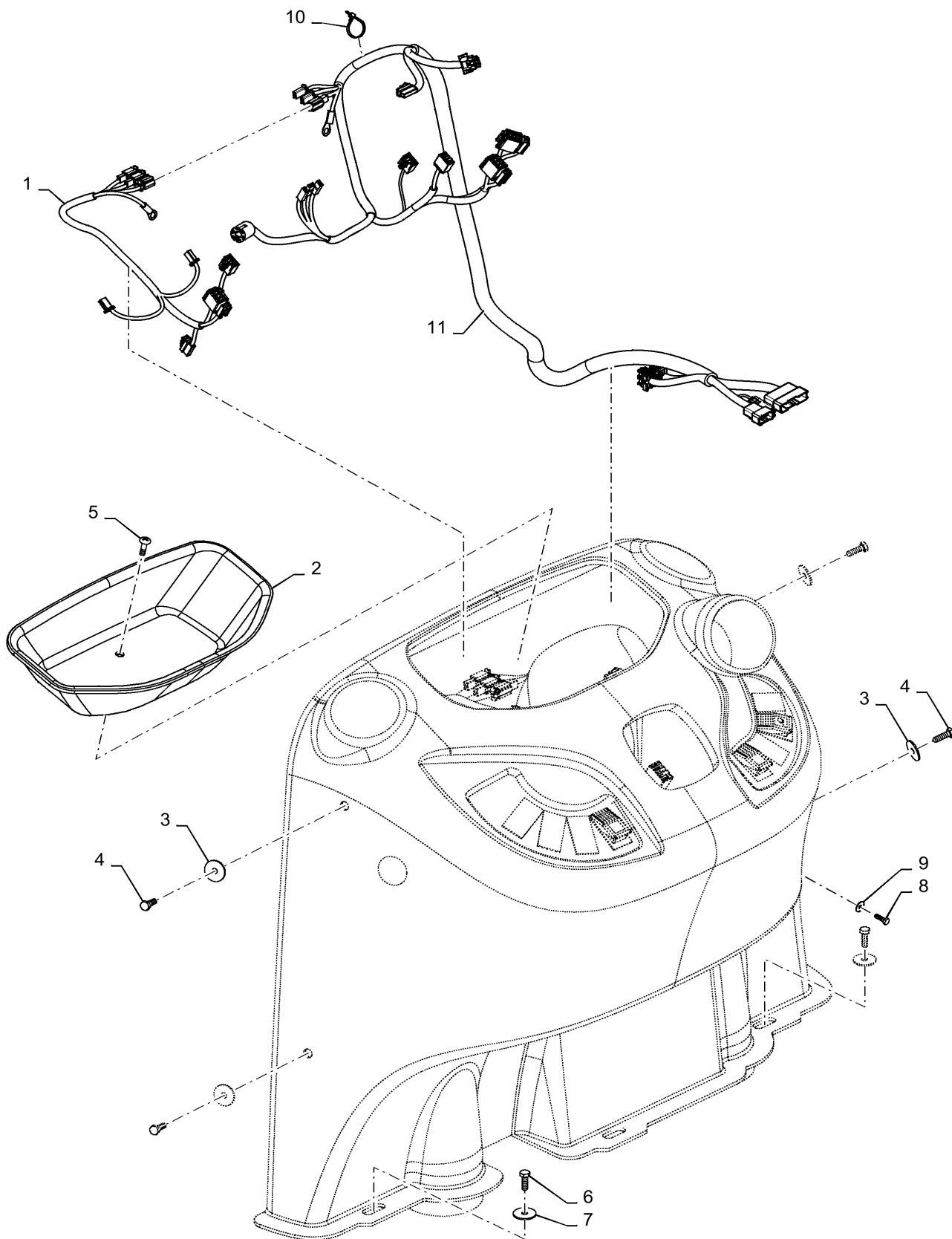
90.151.AN

04

p1

5/2019

FRONT CONSOLE, HVAC, LIVERY



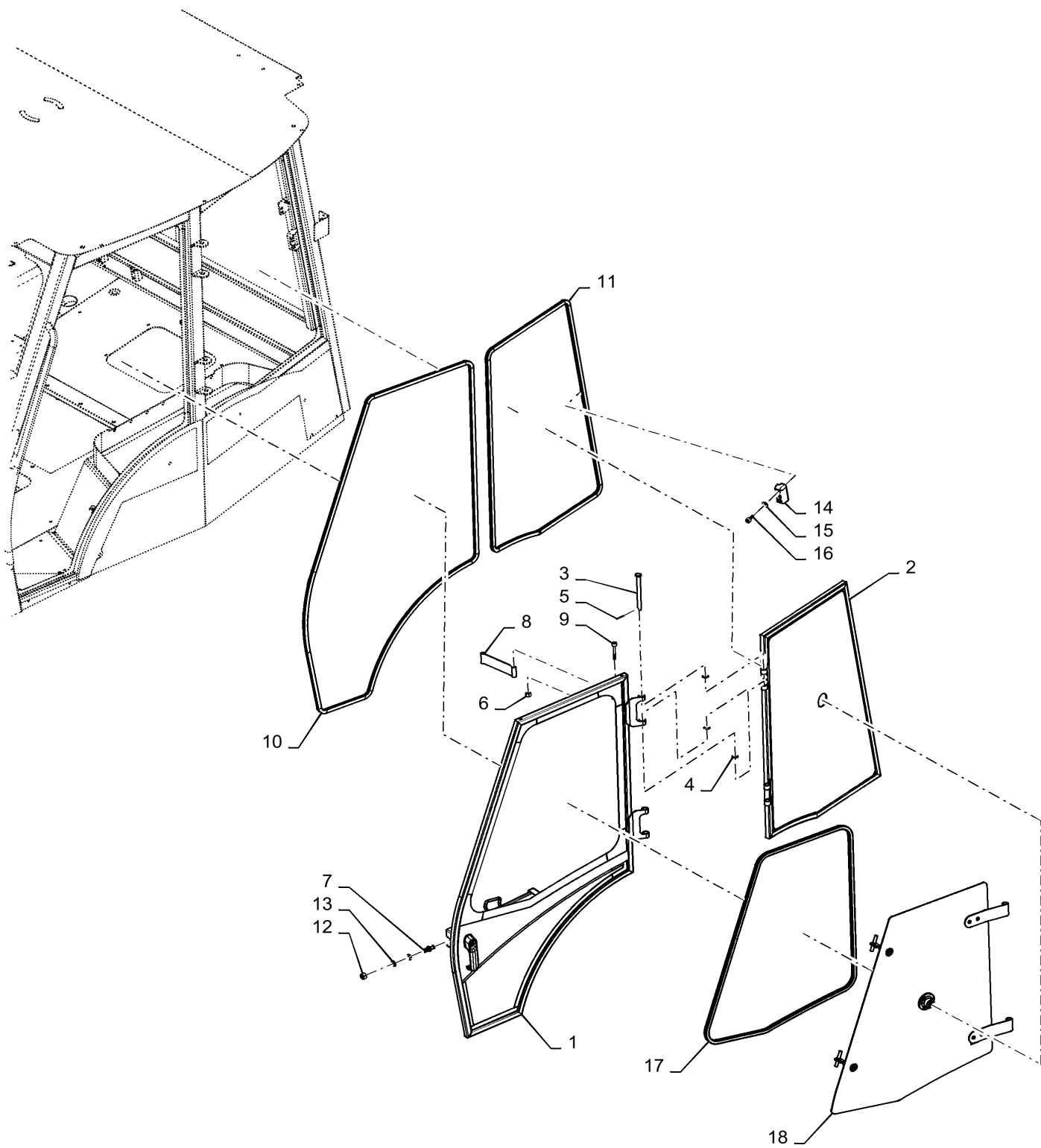
90.154.AA

03

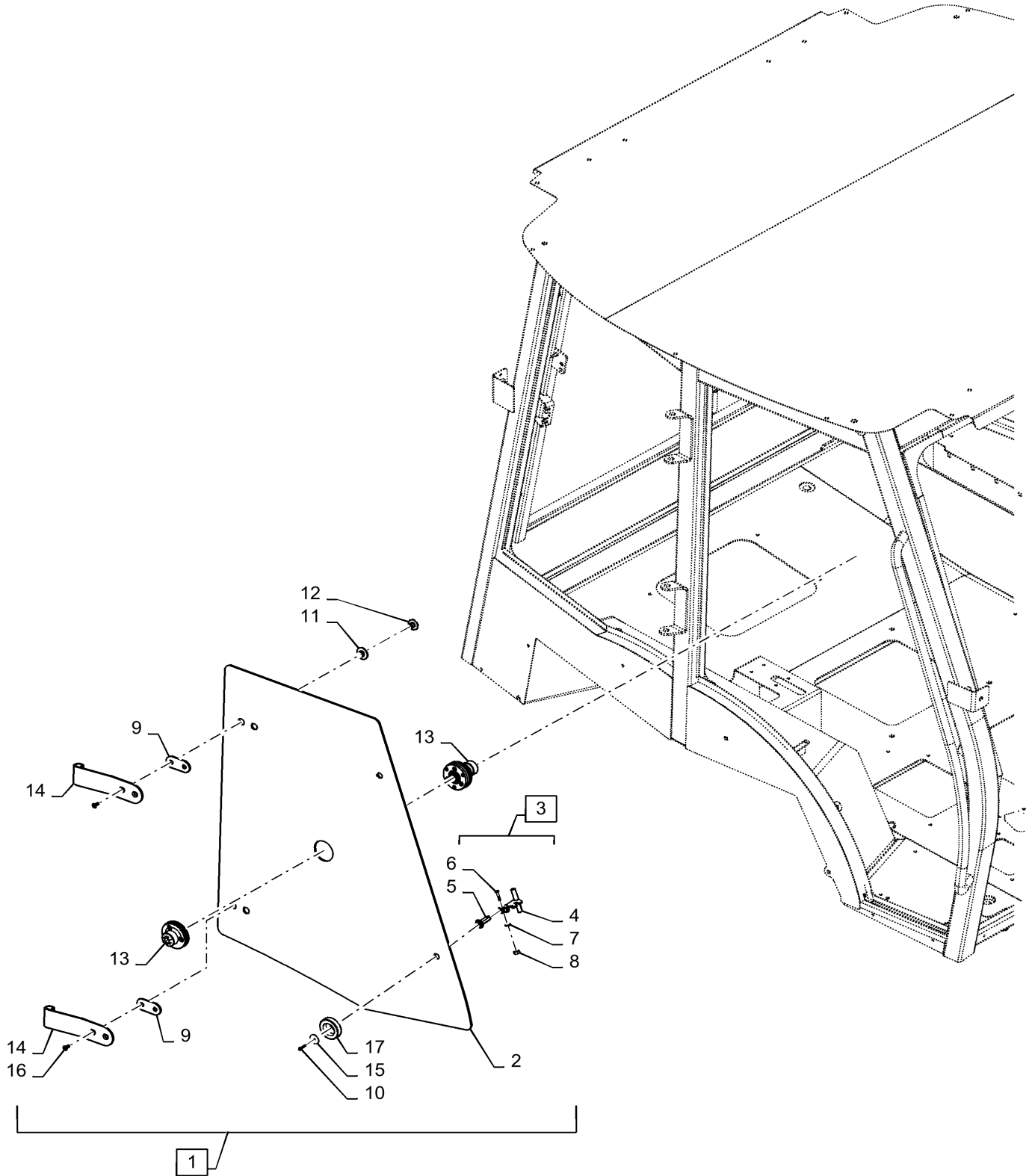
p1

5/2019

CAB FRONT DOOR, LH



CAB FRONT DOOR GLASS, RH



CLICK HERE TO **DOWNLOAD** THE COMPLETE MANUAL

- Thank you very much for reading the preview of the manual.
- You can download the complete manual from: www.heydownloads.com by clicking the link below



- Please note: If there is no response to CLICKING the link, please download this PDF first and then click on it.

CLICK HERE TO **DOWNLOAD** THE COMPLETE MANUAL