

All rights reserved by **CNHi**.

The information contained in this catalogue is intended to be of a general nature only. **CNHi** may at any time and from time to time, for technical or other necessary reasons, modify any of the details or specifications of the product described in this catalogue.

To be sure of getting accurate, detailed and up-to-date information, an intending buyer should consult his nearest **CNHi** dealer or distributor.

Single item numeration method used in this catalogue may not be used without written consent from **CNHi**.

CLICK HERE TO **DOWNLOAD** THE COMPLETE MANUAL

- Thank you very much for reading the preview of the manual.
- You can download the complete manual from: www.heydownloads.com by clicking the link below



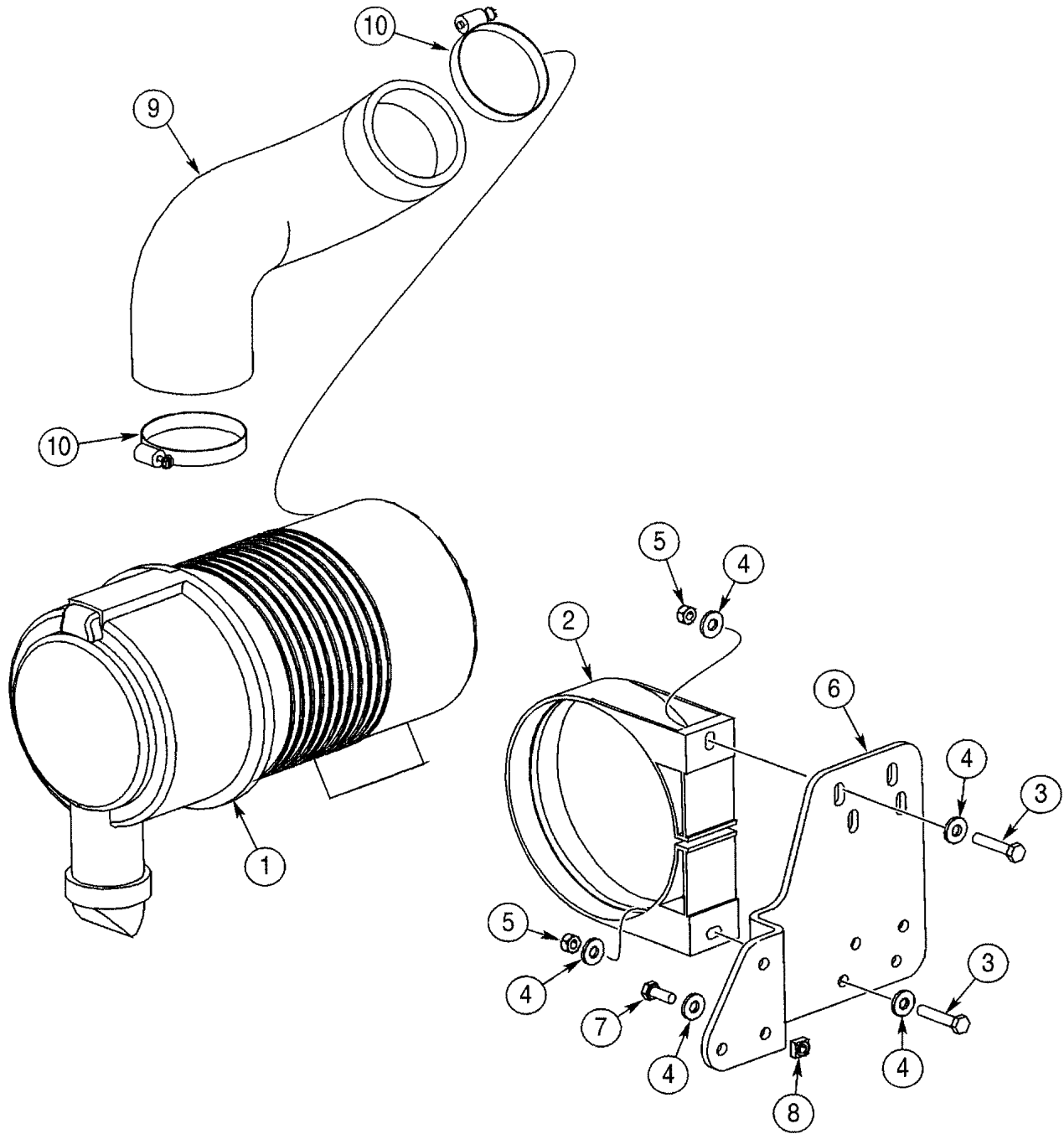
- Please note: If there is no response to CLICKING the link, please download this PDF first and then click on it.

CLICK HERE TO **DOWNLOAD** THE COMPLETE MANUAL

TABLE OF CONTENTS

88.010.01		DIA KIT, INSTALLATION, BASIC HEATER (FIELD)
88.010.02		DIA KIT, INSTALLATION HEATER, DELUXE
88.035.01		DIA KIT, INSTALLATION, RIDE CONTROL, FIELD KIT (18R)
88.088.01		DIA KIT, CONTROL /A, FOOT THROTTLE EUROPE
88.090.01		DIA KIT, INSTALLATION, TOP WINDOW
88.090.02	01	DIA KIT, INSTALLATION DOOR, CAB ENCLOSURE (GLASS)

AIR CLEANER - ENGINE

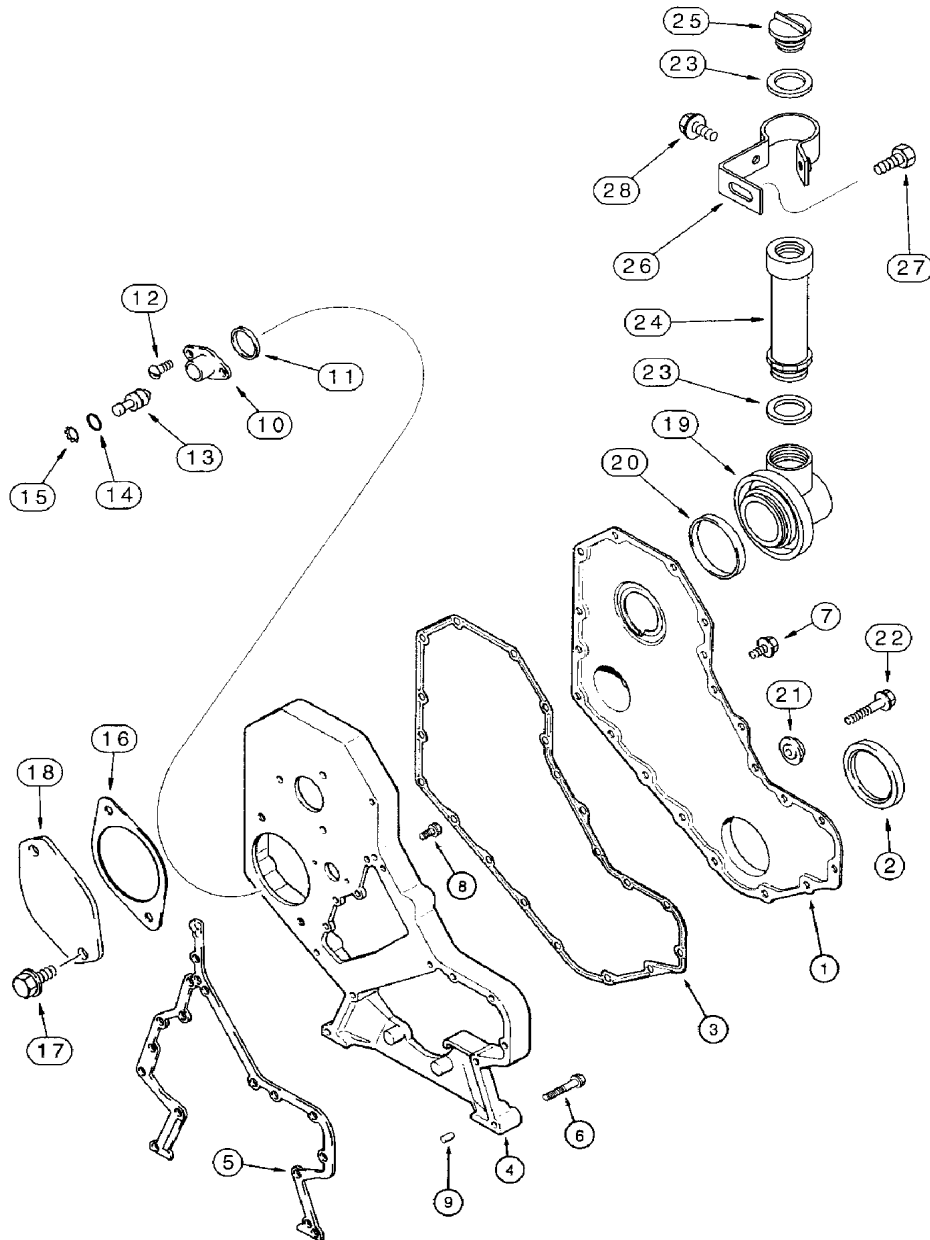


02-09

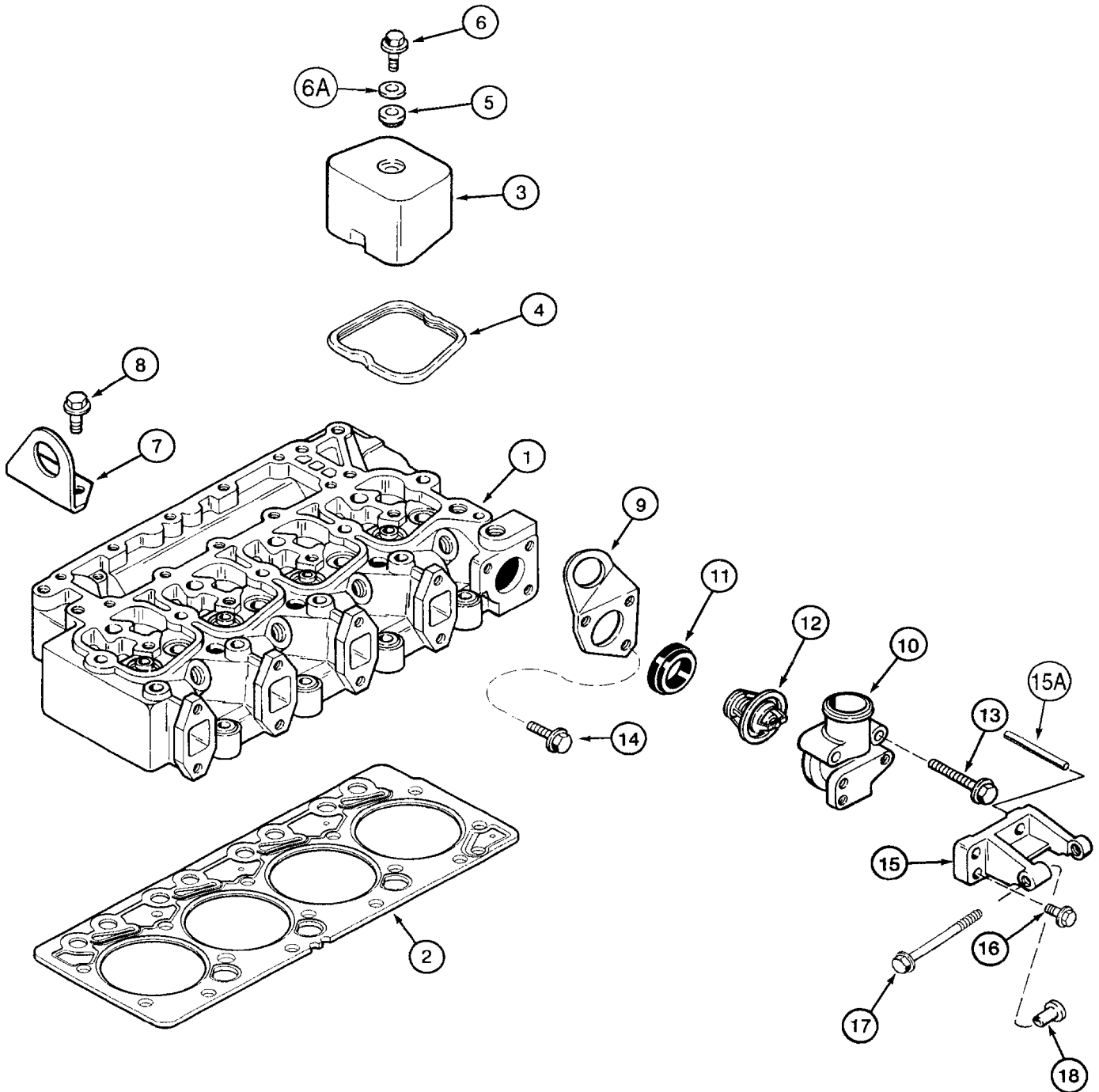
p1

10/201
8

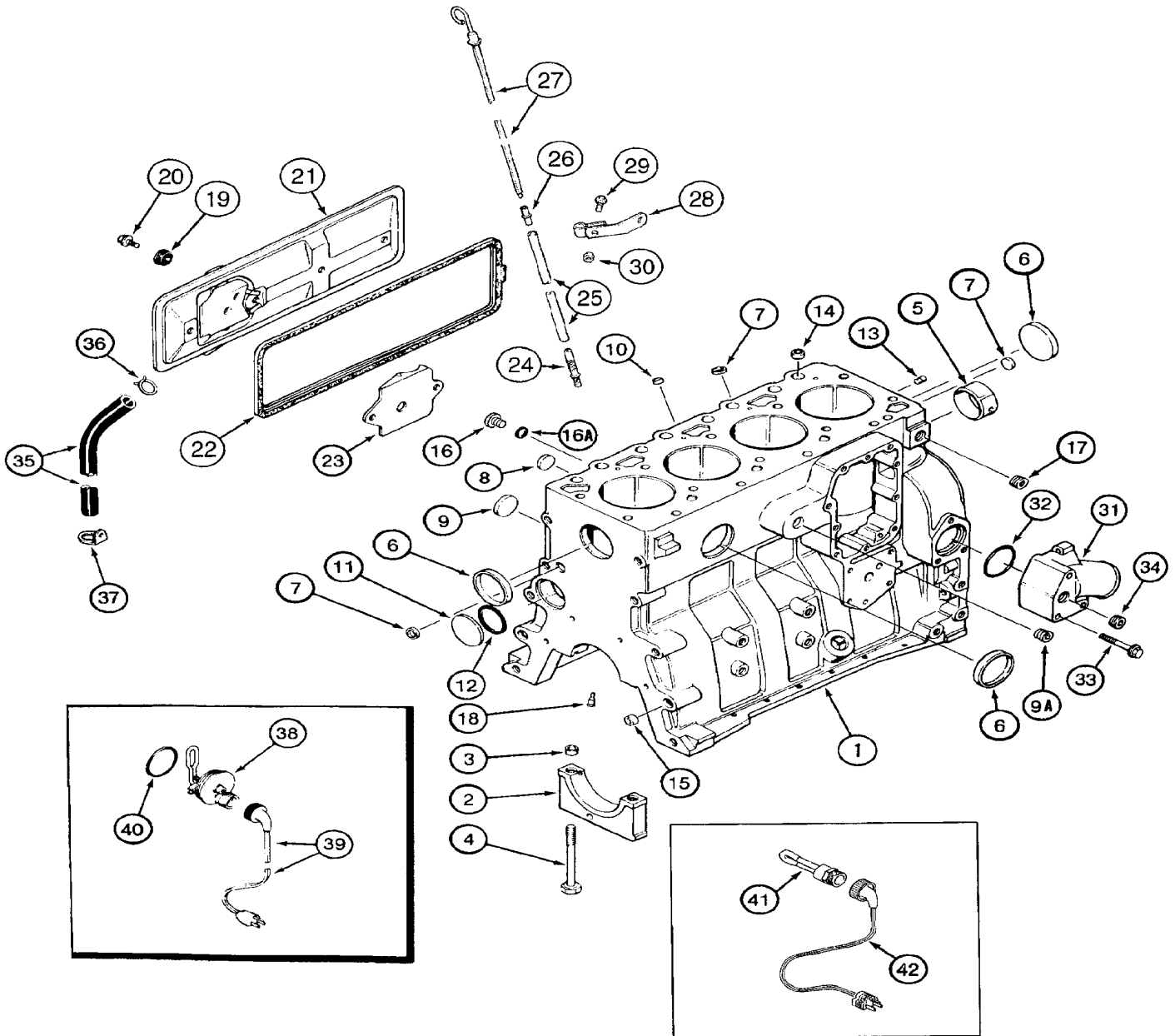
FRONT GEAR COVER - 4-390 EMISSIONS CERTIFIED ENGINE



CYLINDER HEAD - COVER - 4-390 EMISSIONS CERTIFIED ENGINE



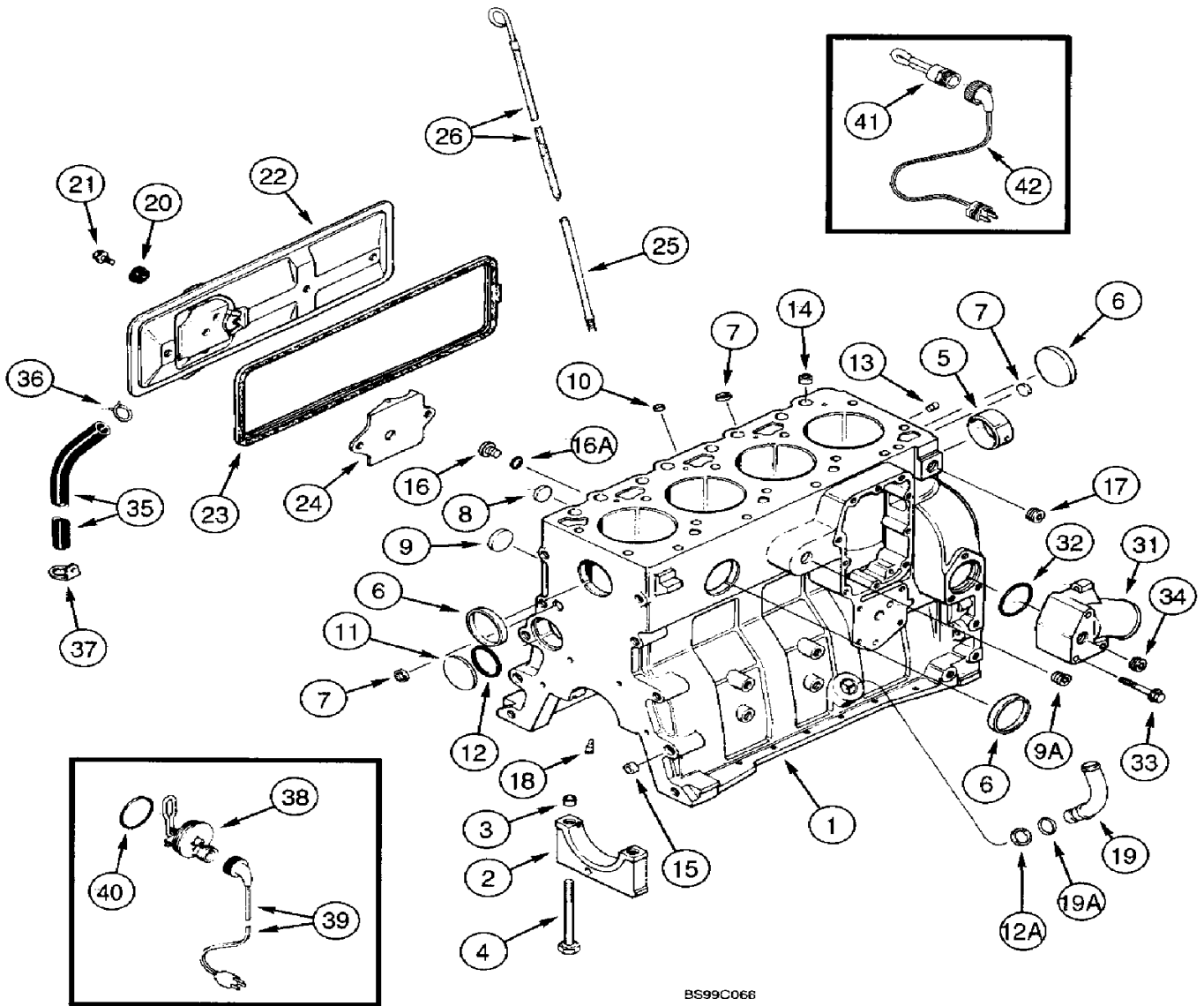
CYLINDER BLOCK



BS01E180

Note: Basic engines and reman engines are generic engines. The engines are complete internally; however, externally all parts are not supplied with the engines. Check the configuration of the engine being removed, with the configuration of the engine being installed. For any external components not supplied with the engine being installed, reuse those parts from the engine that has just been removed. Do not return the old engine, until the unit is reassembled.

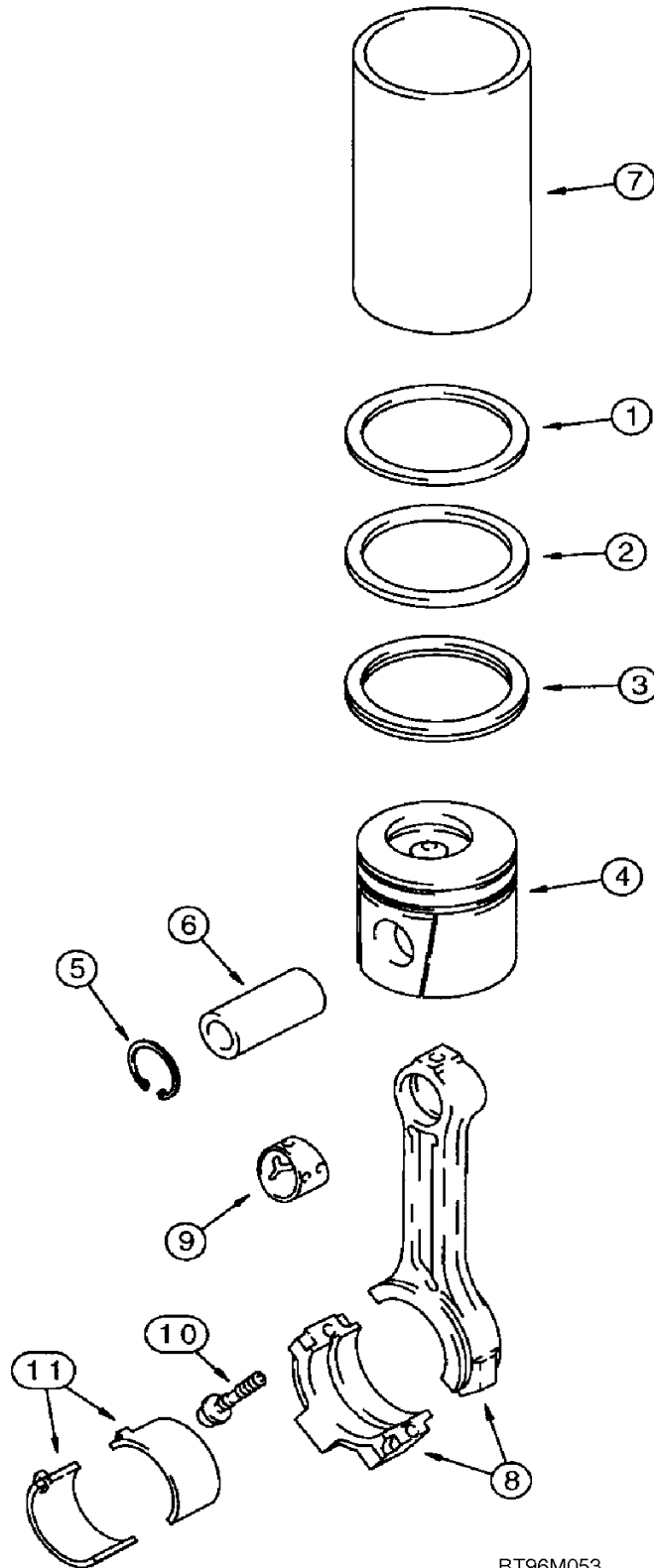
CYLINDER BLOCK, 4-390 EMISSIONS CERTIFIED ENGINE, USE WITH FUEL INJECTION PUMP J935677



BS99C068

Note: Basic engines and reman engines are generic engines. The engines are complete internally; however, externally all parts are not supplied with the engines. Check the configuration of the engine being removed, with the configuration of the engine being installed. For any external components not supplied with the engine being installed, reuse those parts from the engine that has just been removed. Do not return the old engine, until the unit is reassembled.

PISTONS - CONNECTING RODS

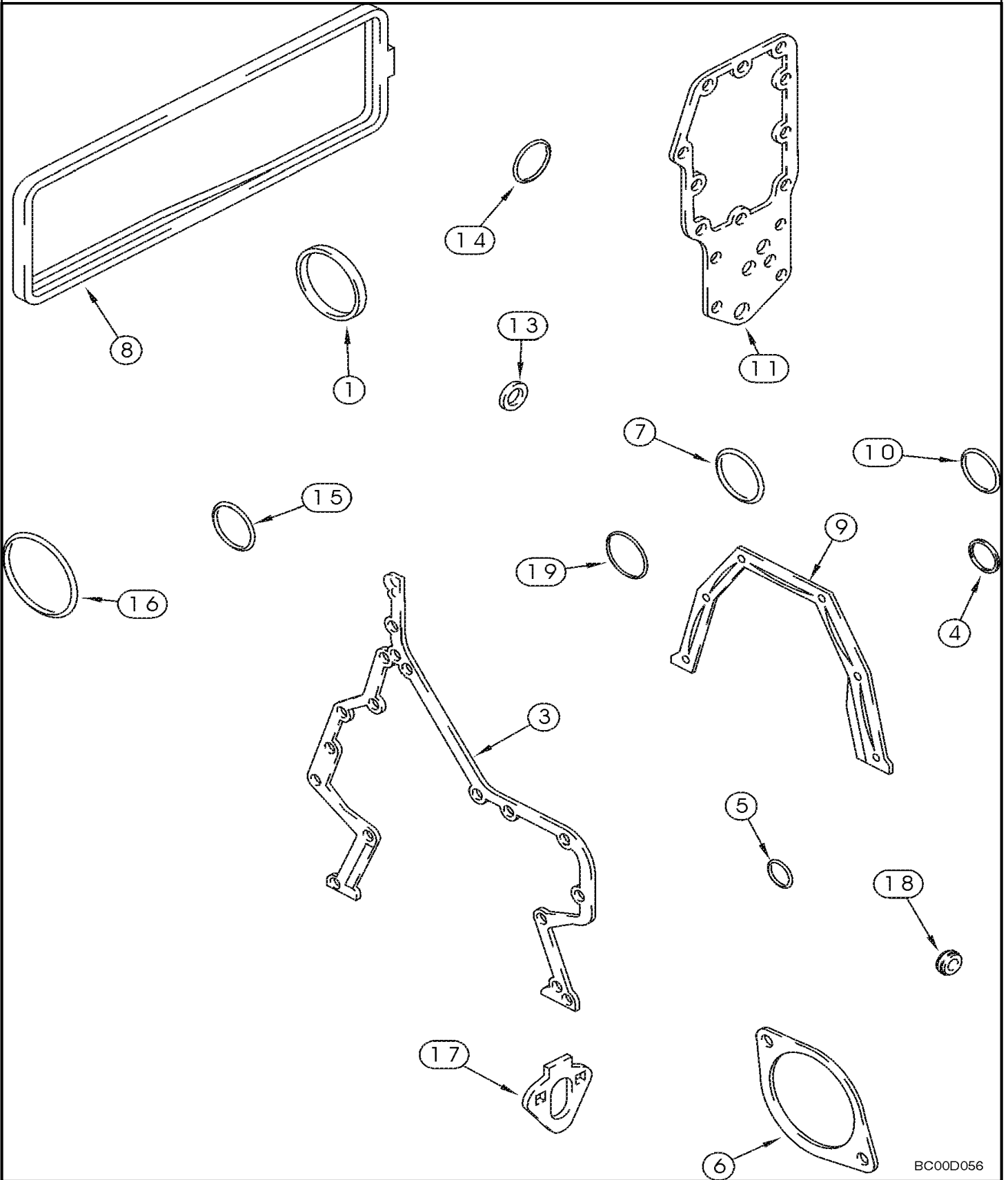


02-21

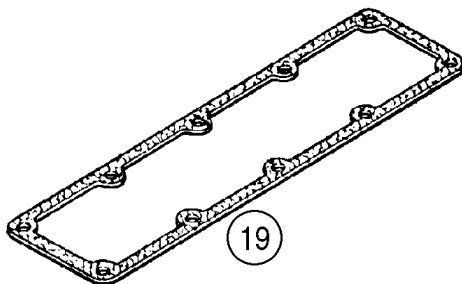
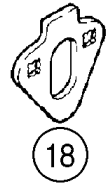
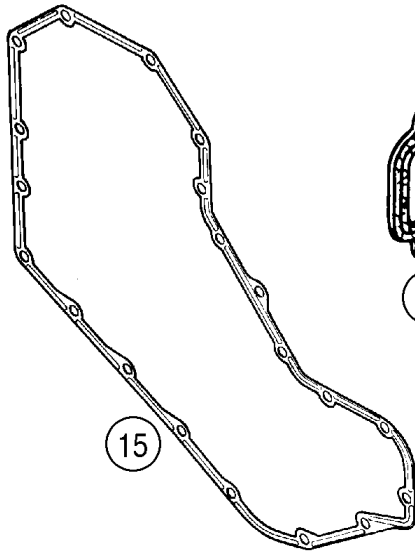
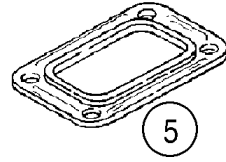
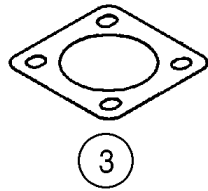
p1

10/201
8

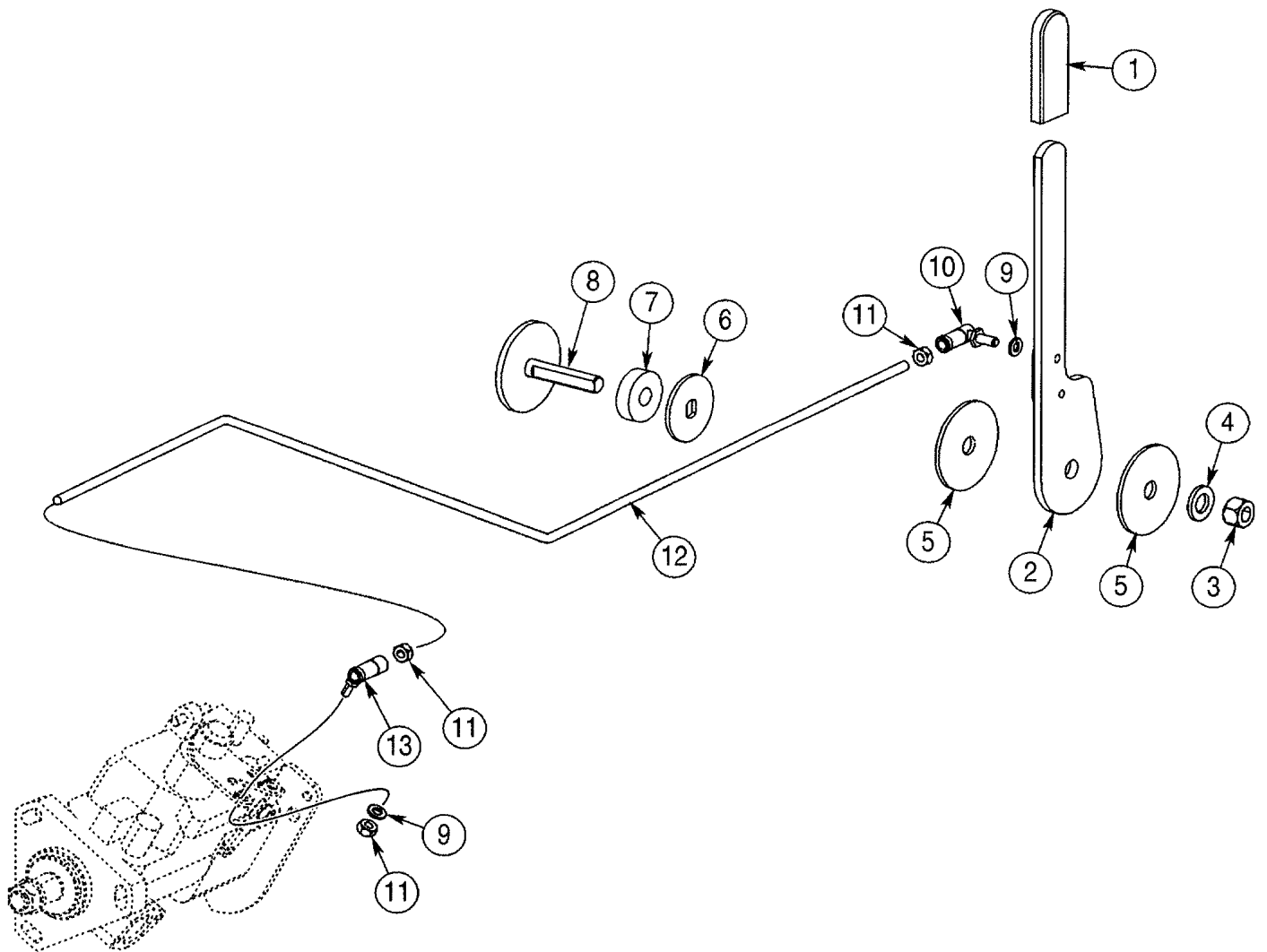
GASKET KIT, CYLINDER BLOCK



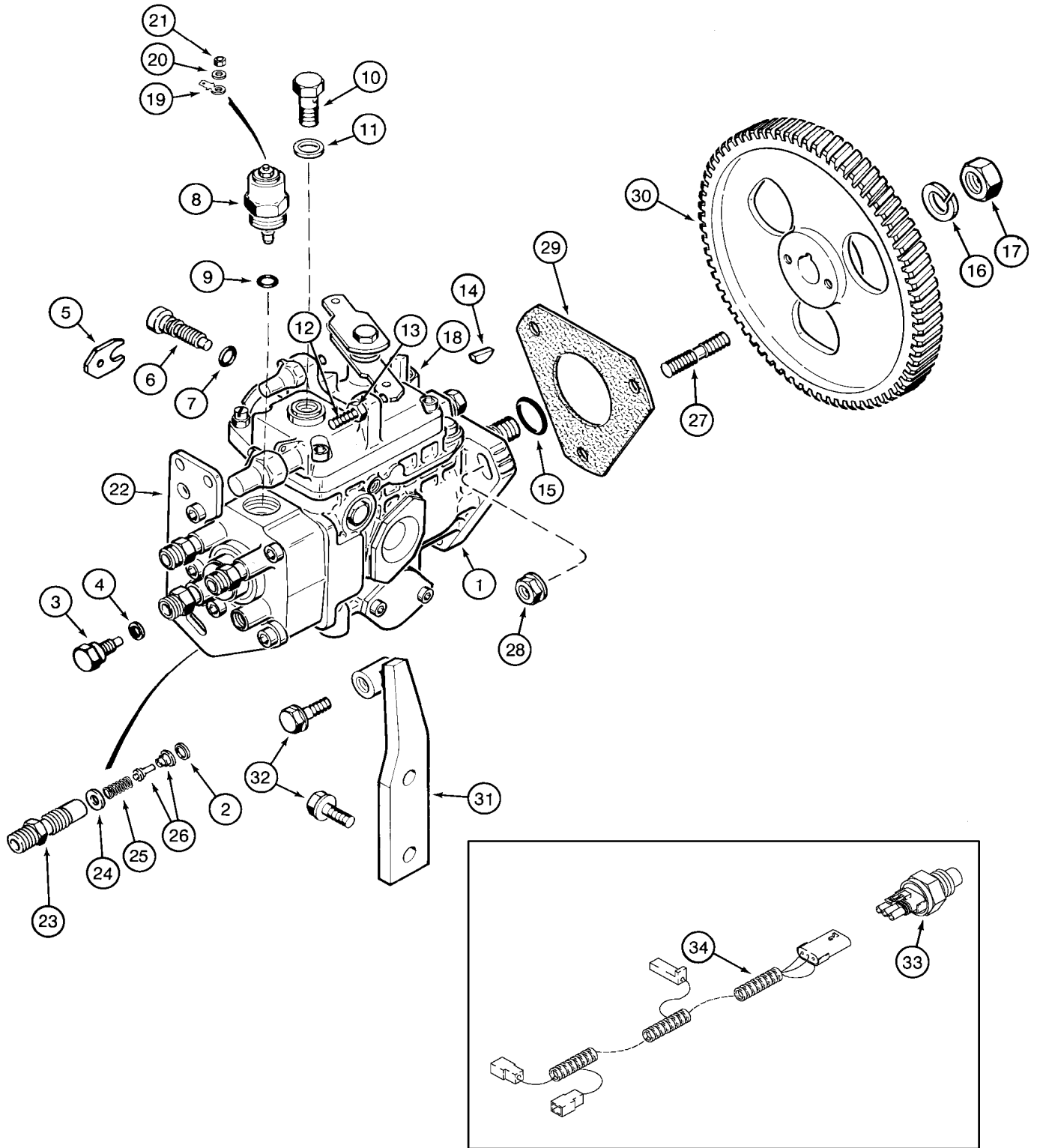
GASKET KIT, BASIC SERVICE ENGINE



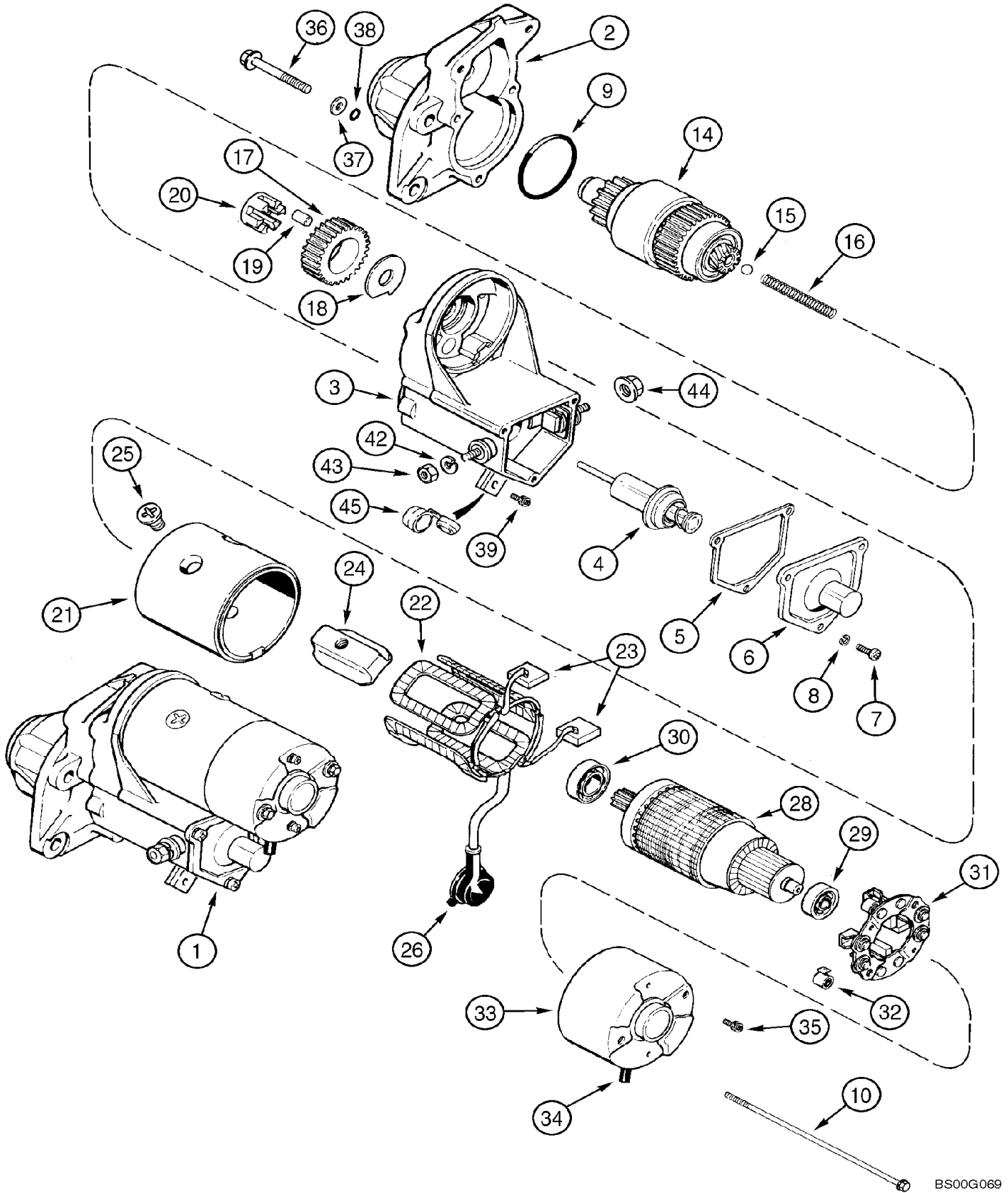
CONTROLS - THROTTLE



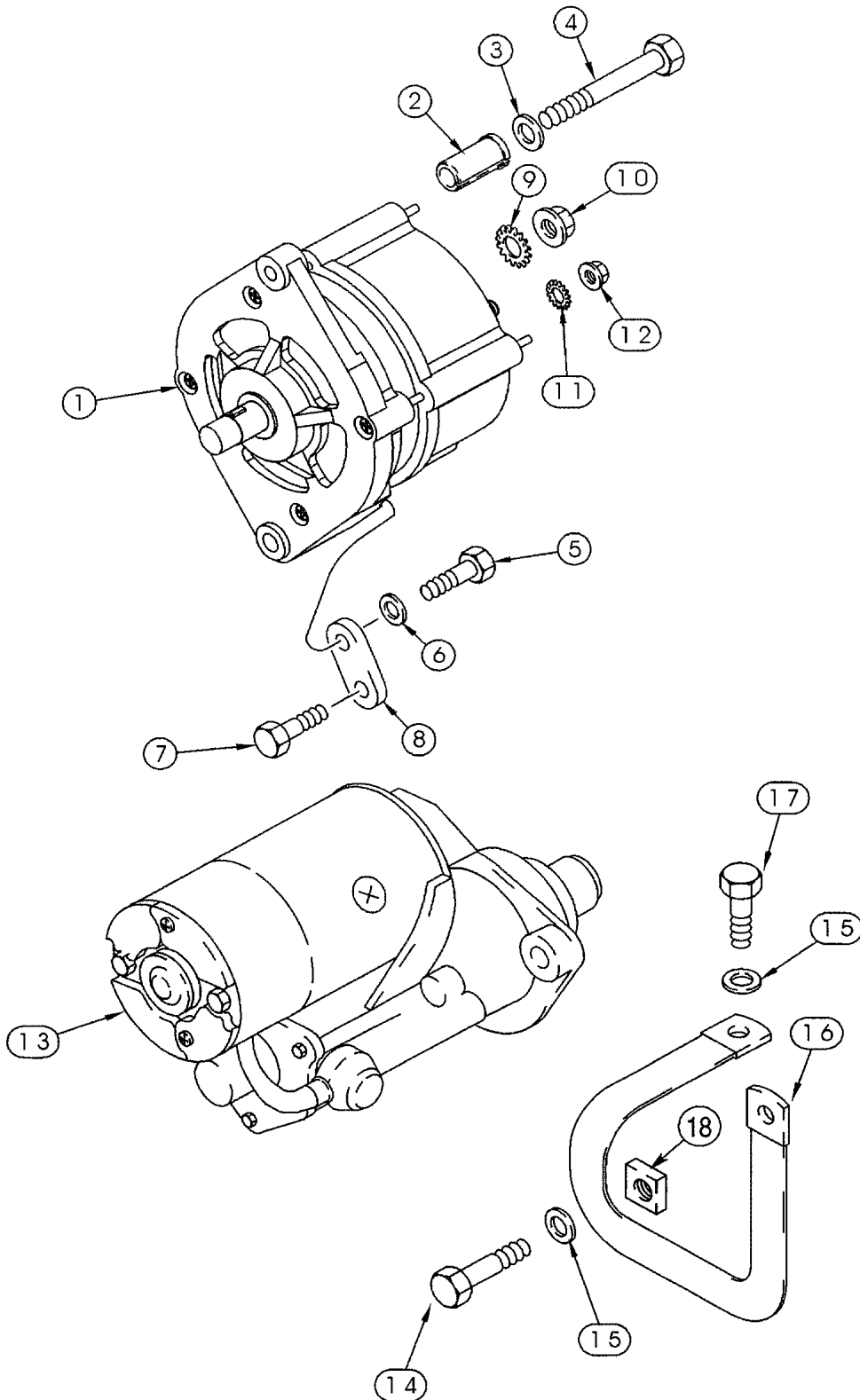
FUEL INJECTION - PUMP AND DRIVE



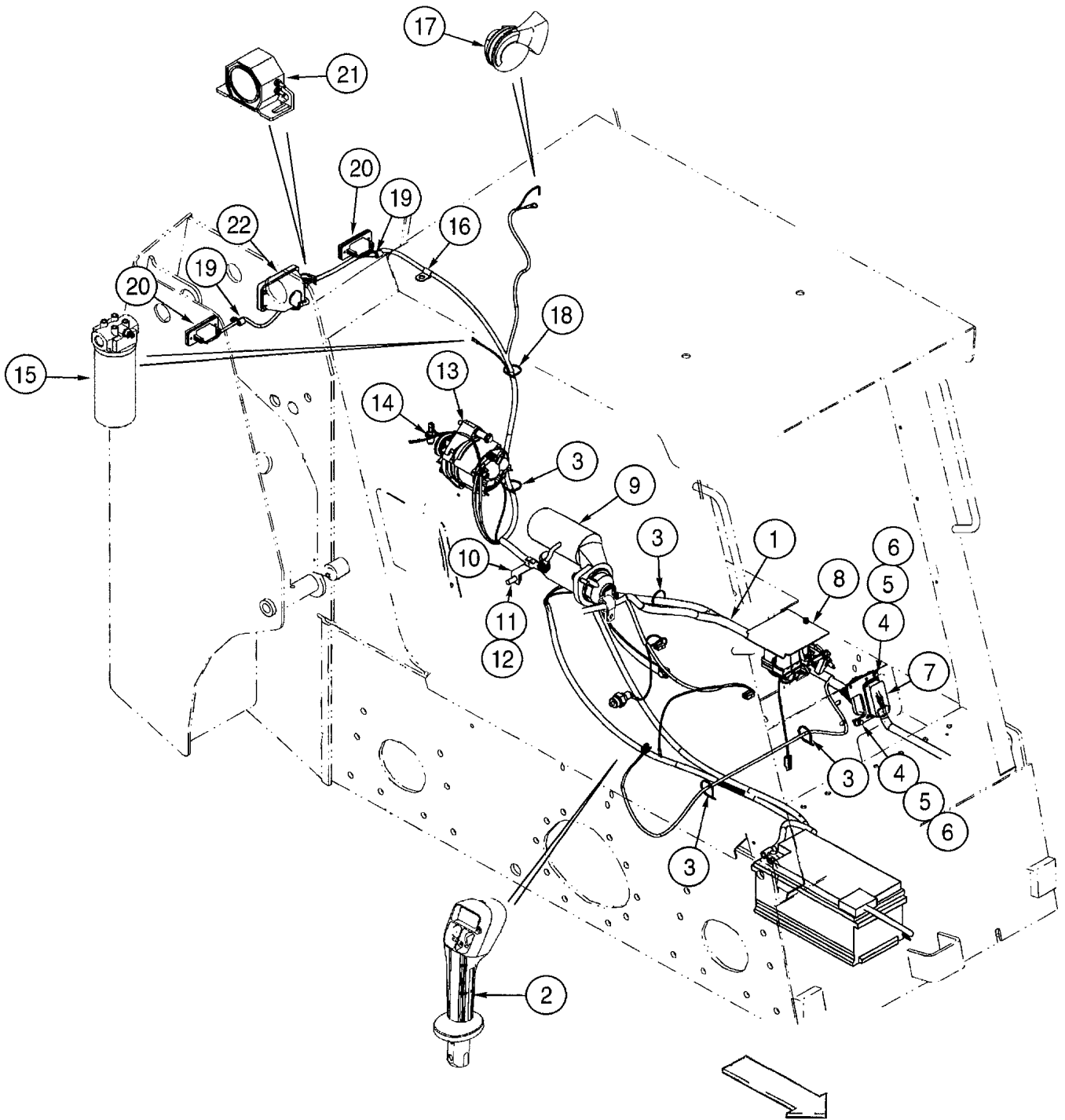
STARTER



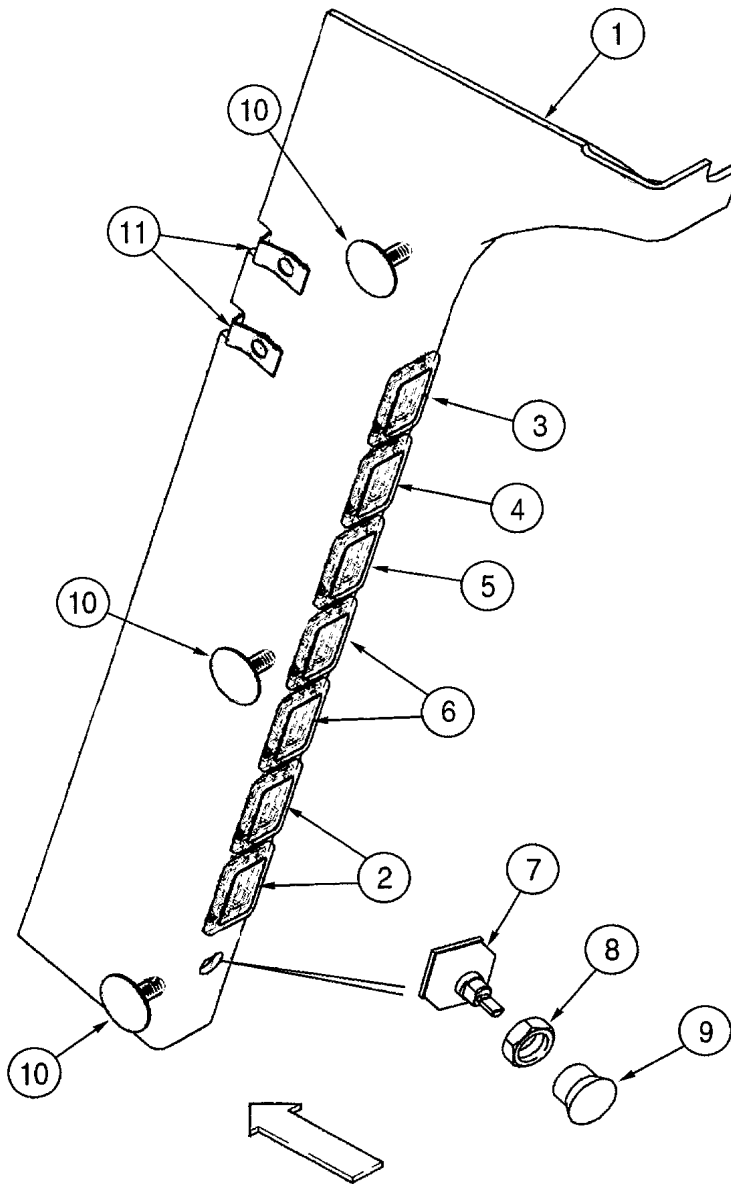
MOUNTING - STARTER AND ALTERNATOR



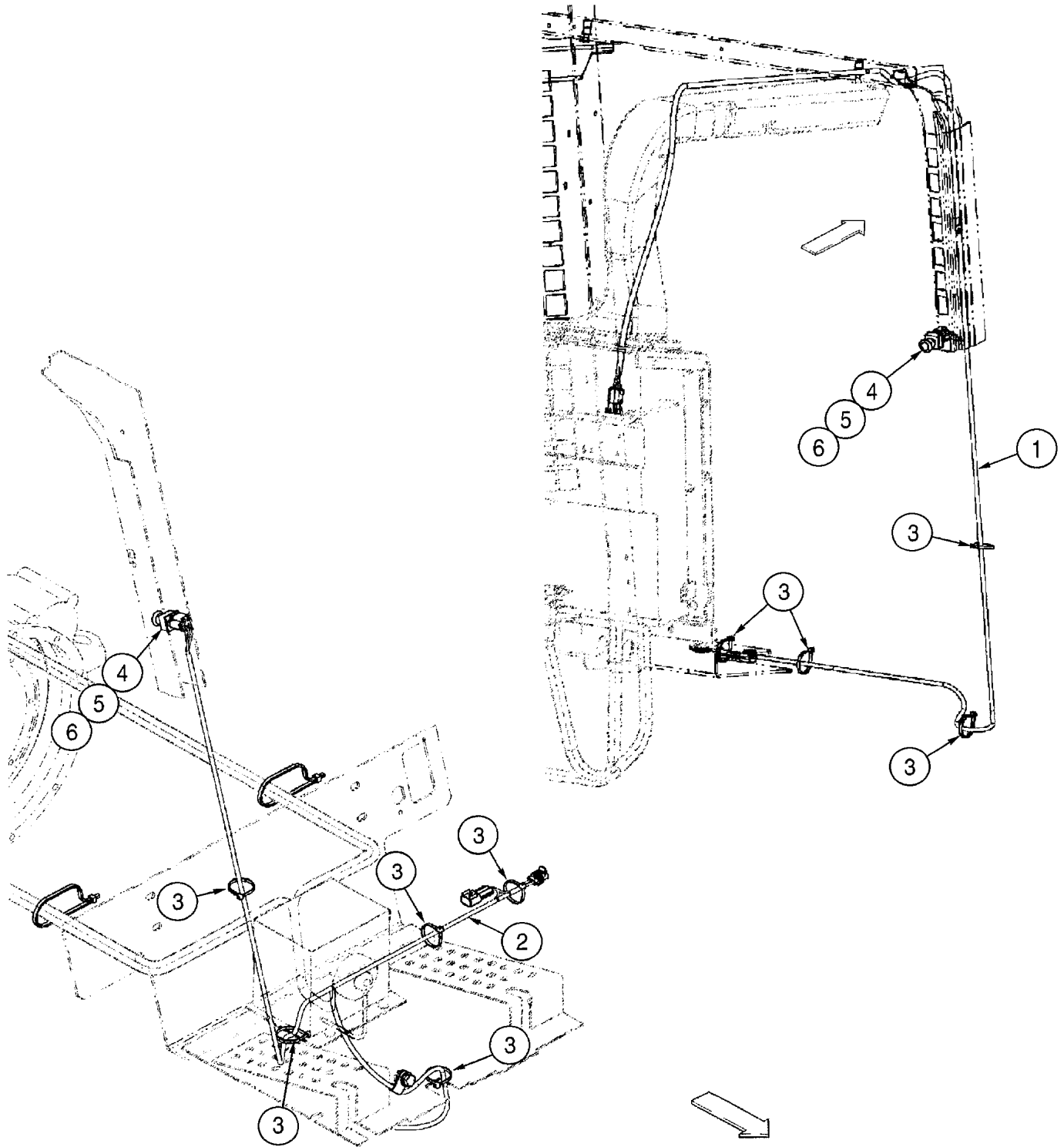
HARNESS - CHASSIS, MAIN



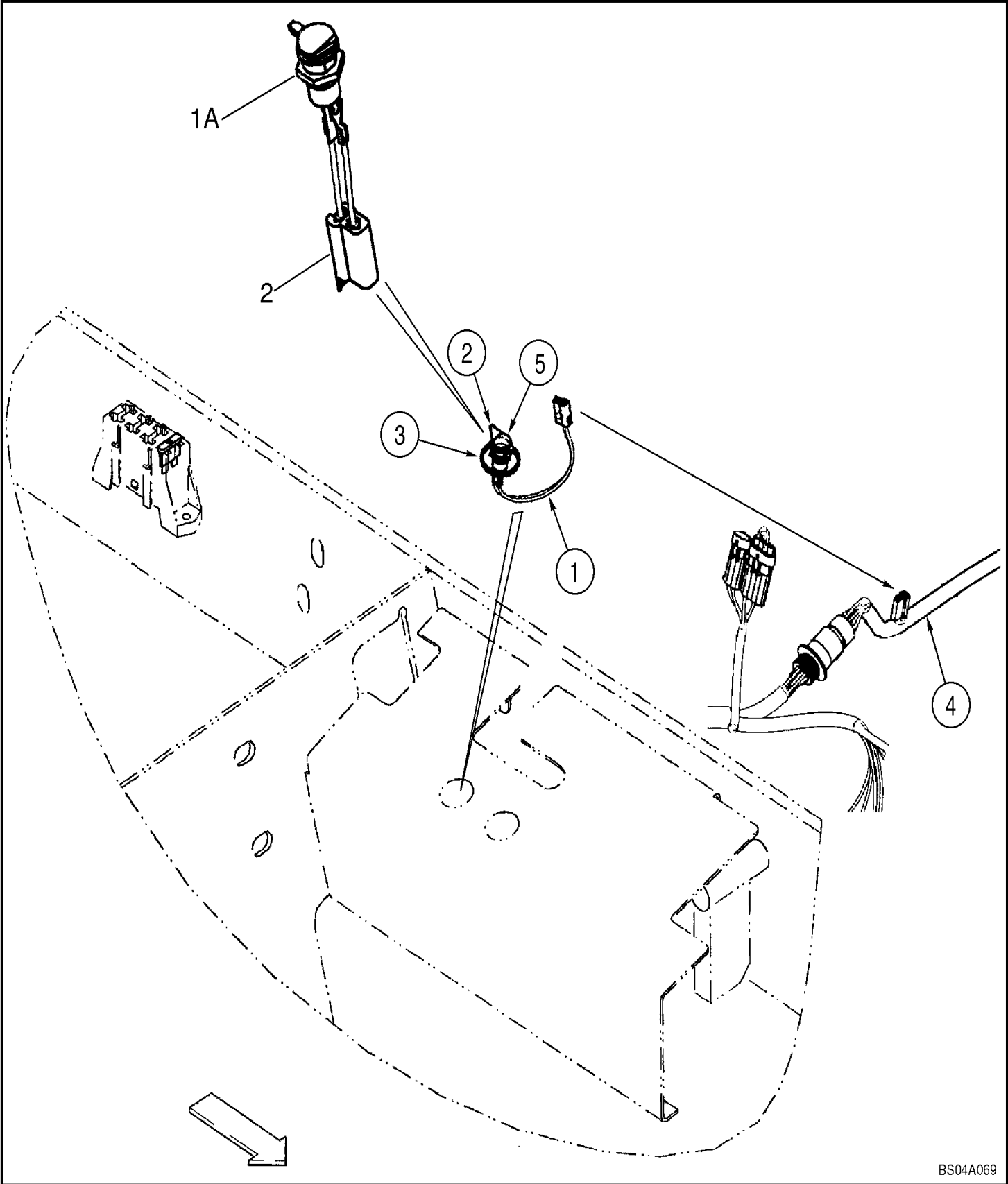
SWITCH MOUNTING - OPTIONS PANEL



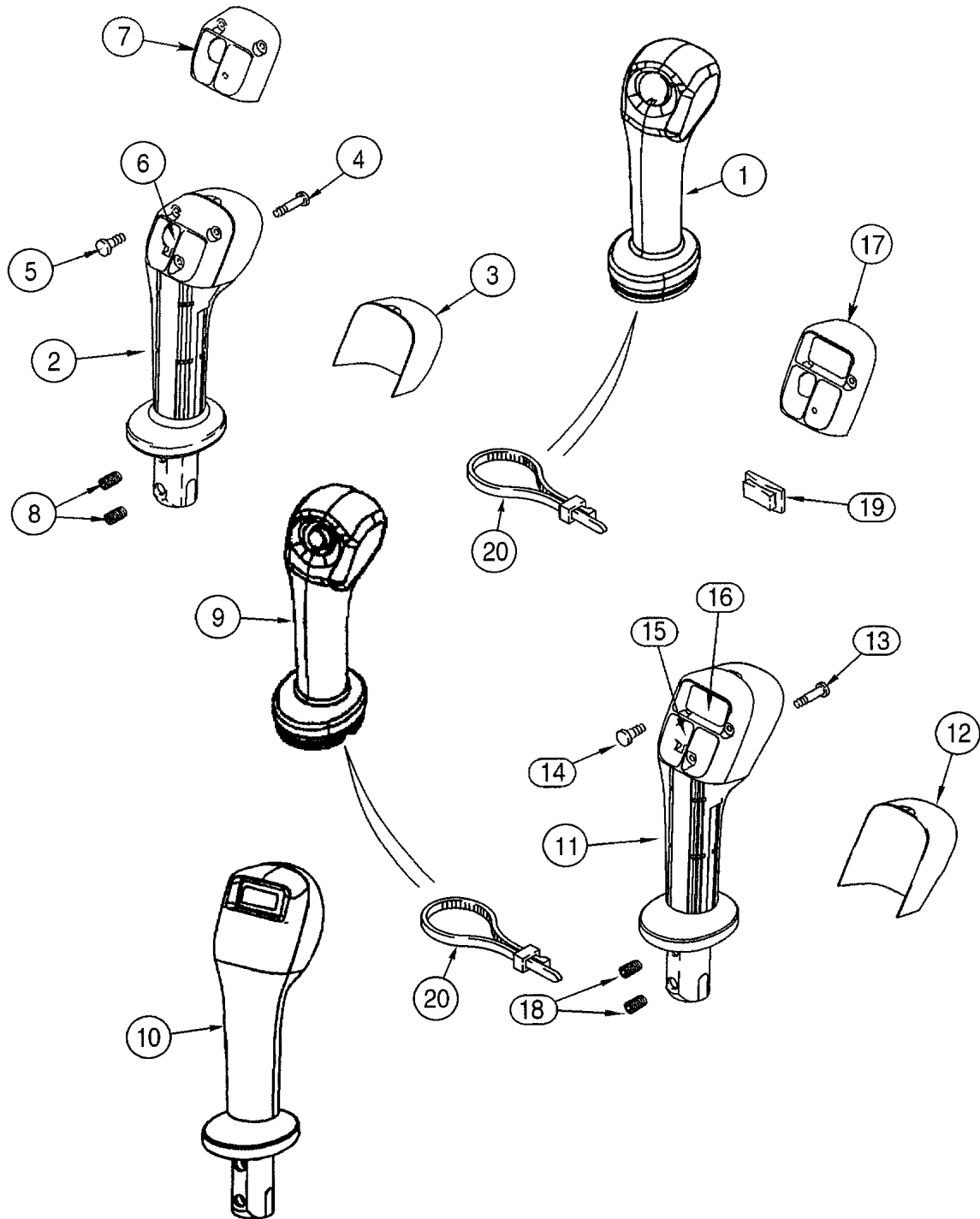
HARNESS - HEATER



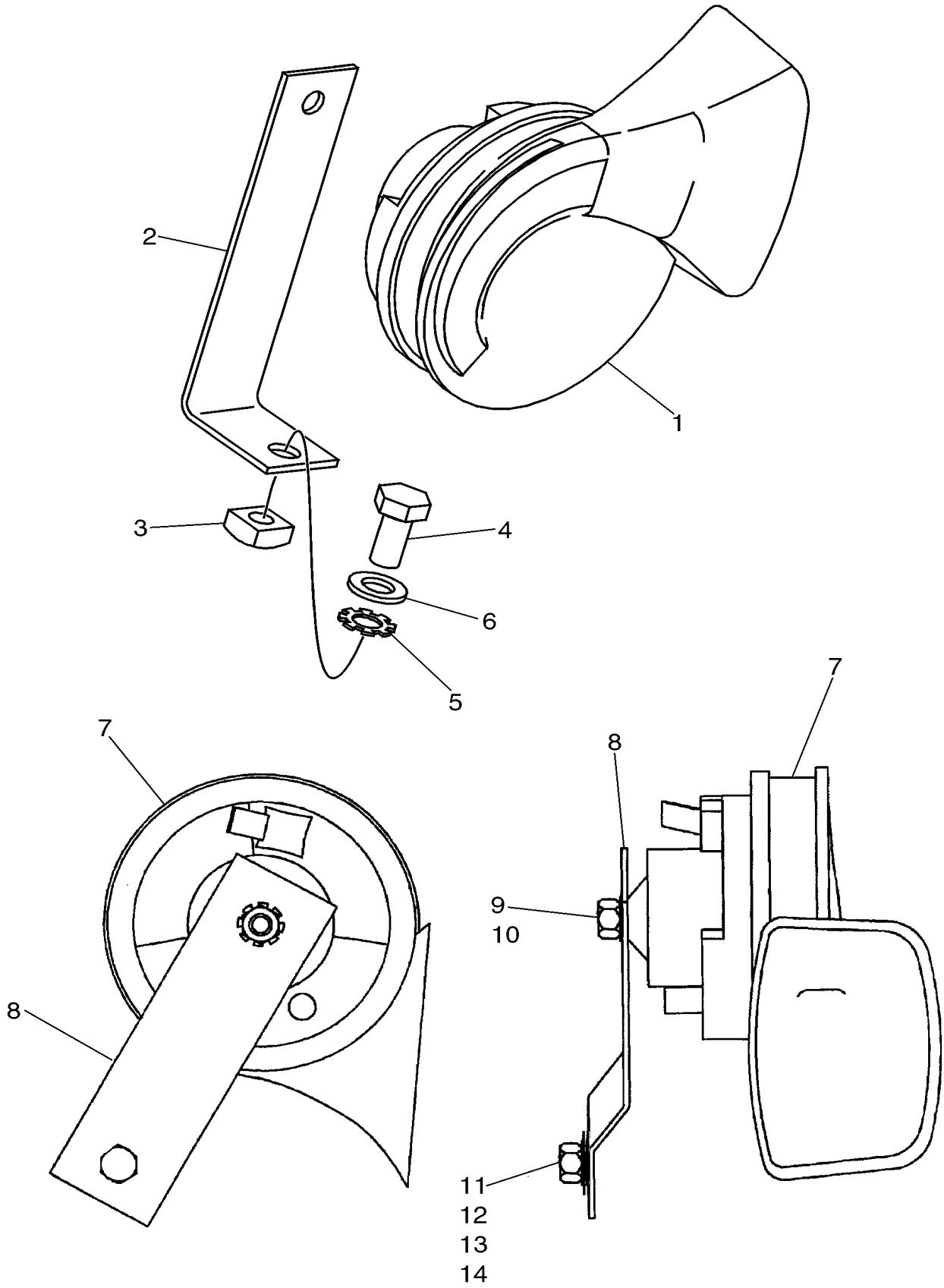
ACCESSORY POWER OUTLET, EUROPEAN MODELS



CONTROLS, LEFT HAND - HANDLE



HORN - MOUNTING

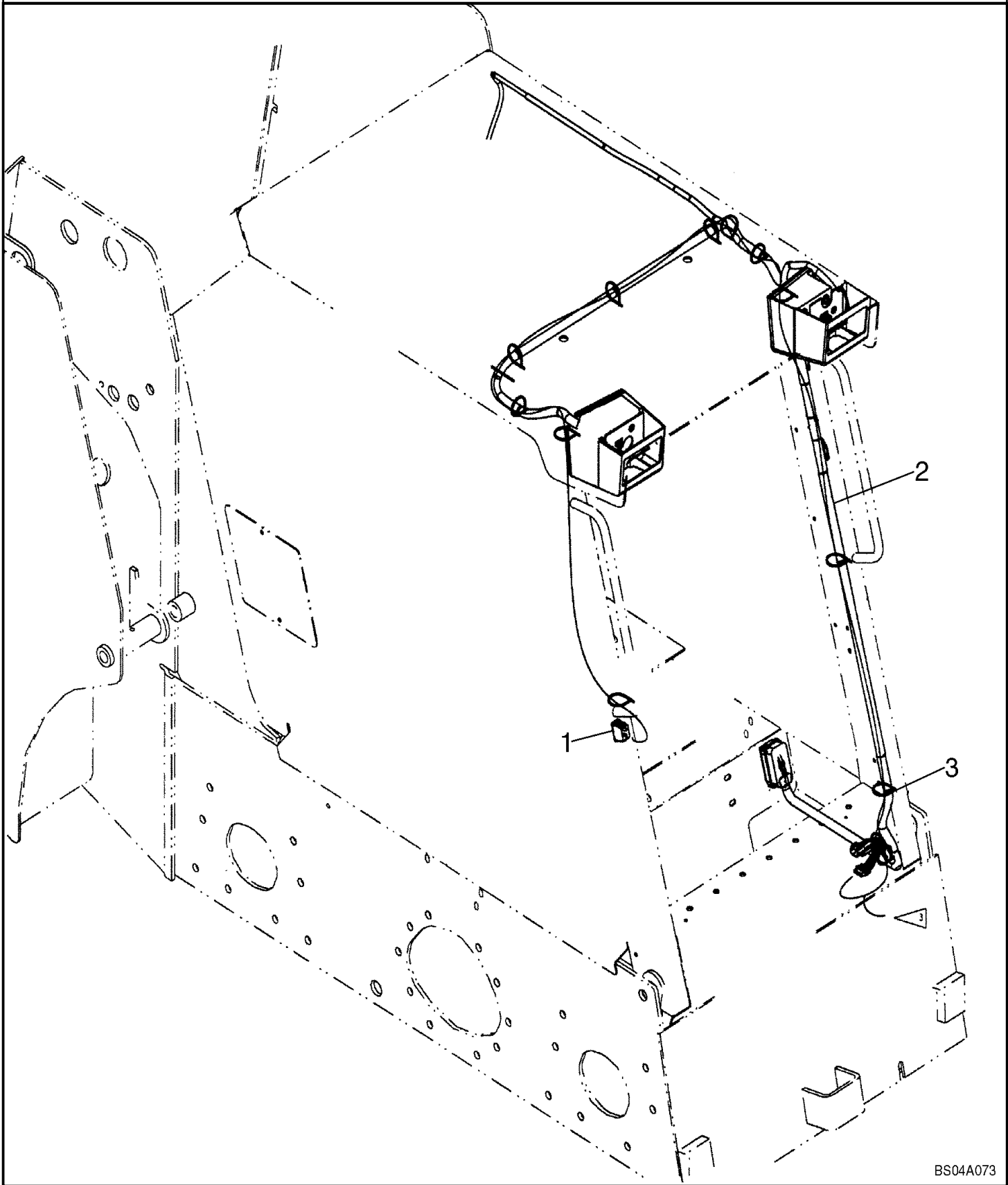


04-34

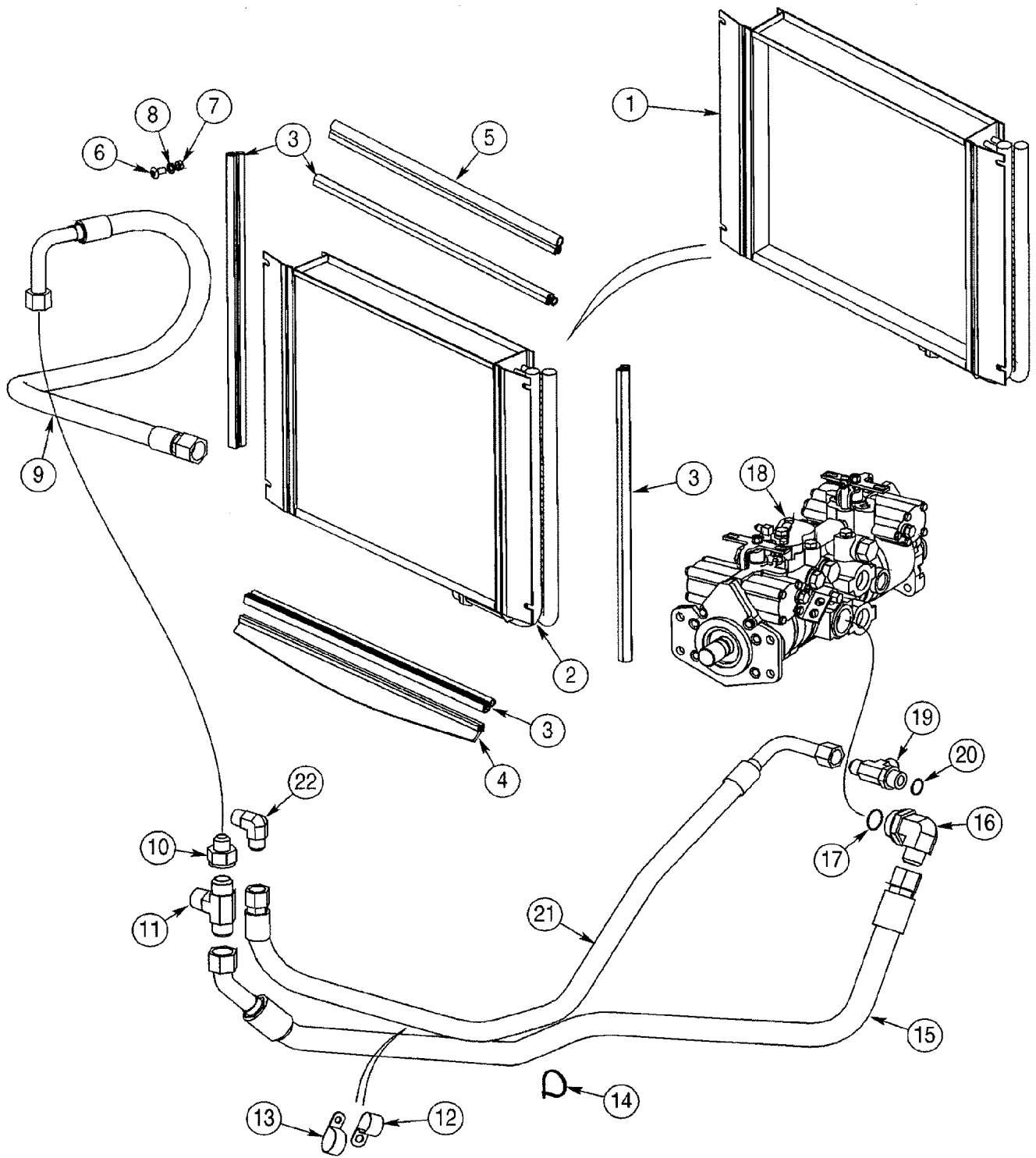
p1

10/201
8

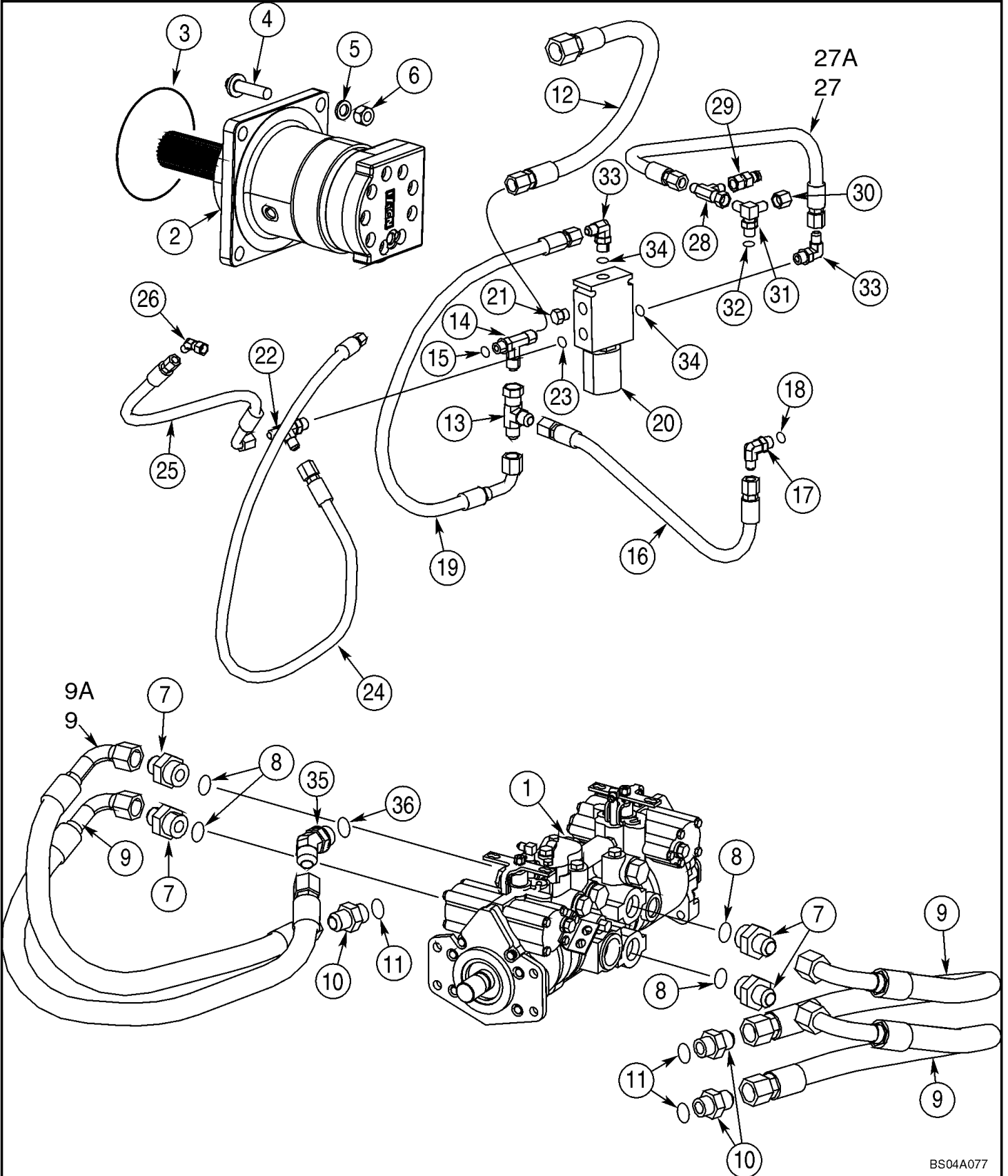
SPECIAL PARTS FOR ITALY - LOCK, LOADER DISCONNECT



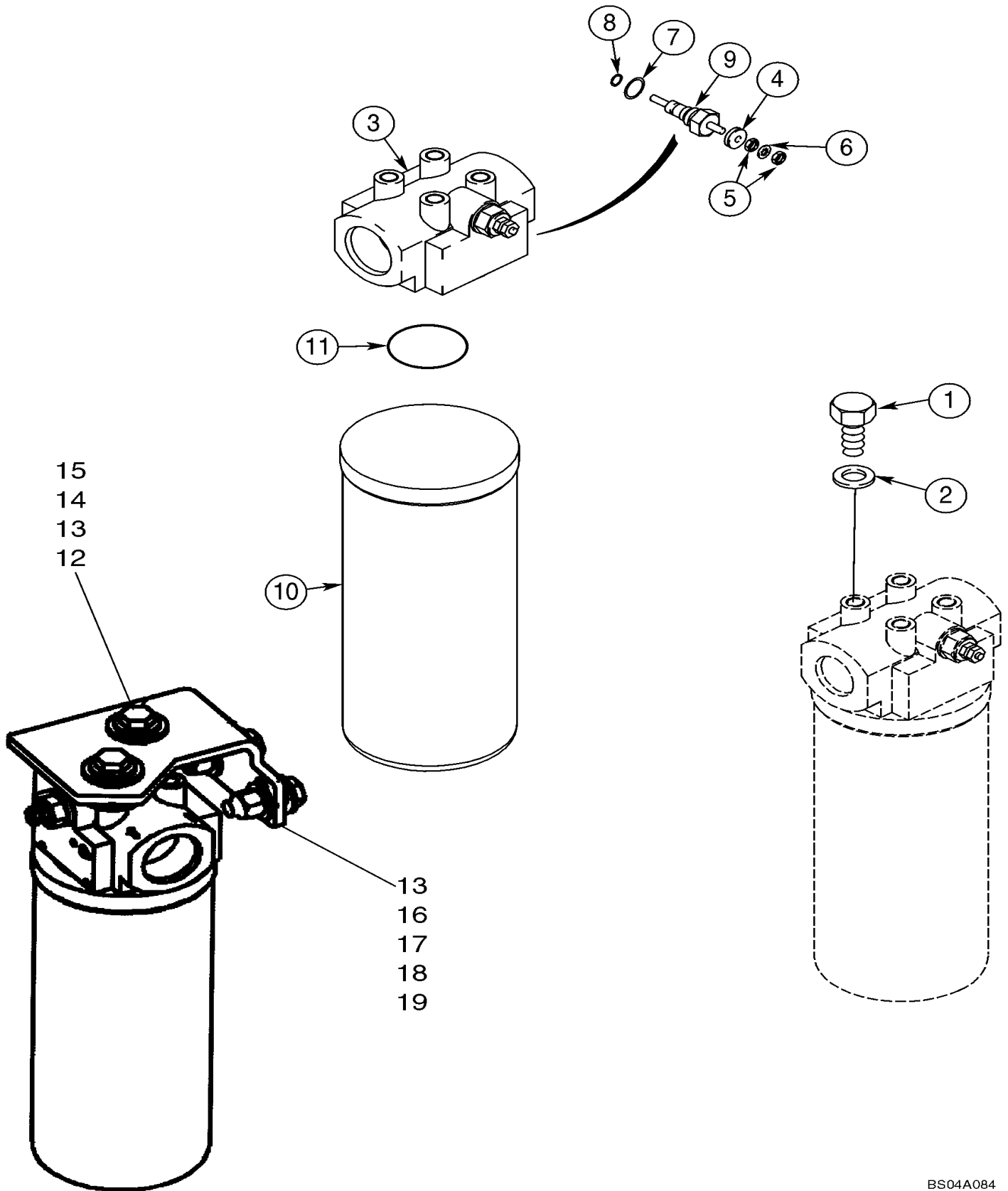
HYDROSTATICS - PUMP, SUPPLY AND RETURN



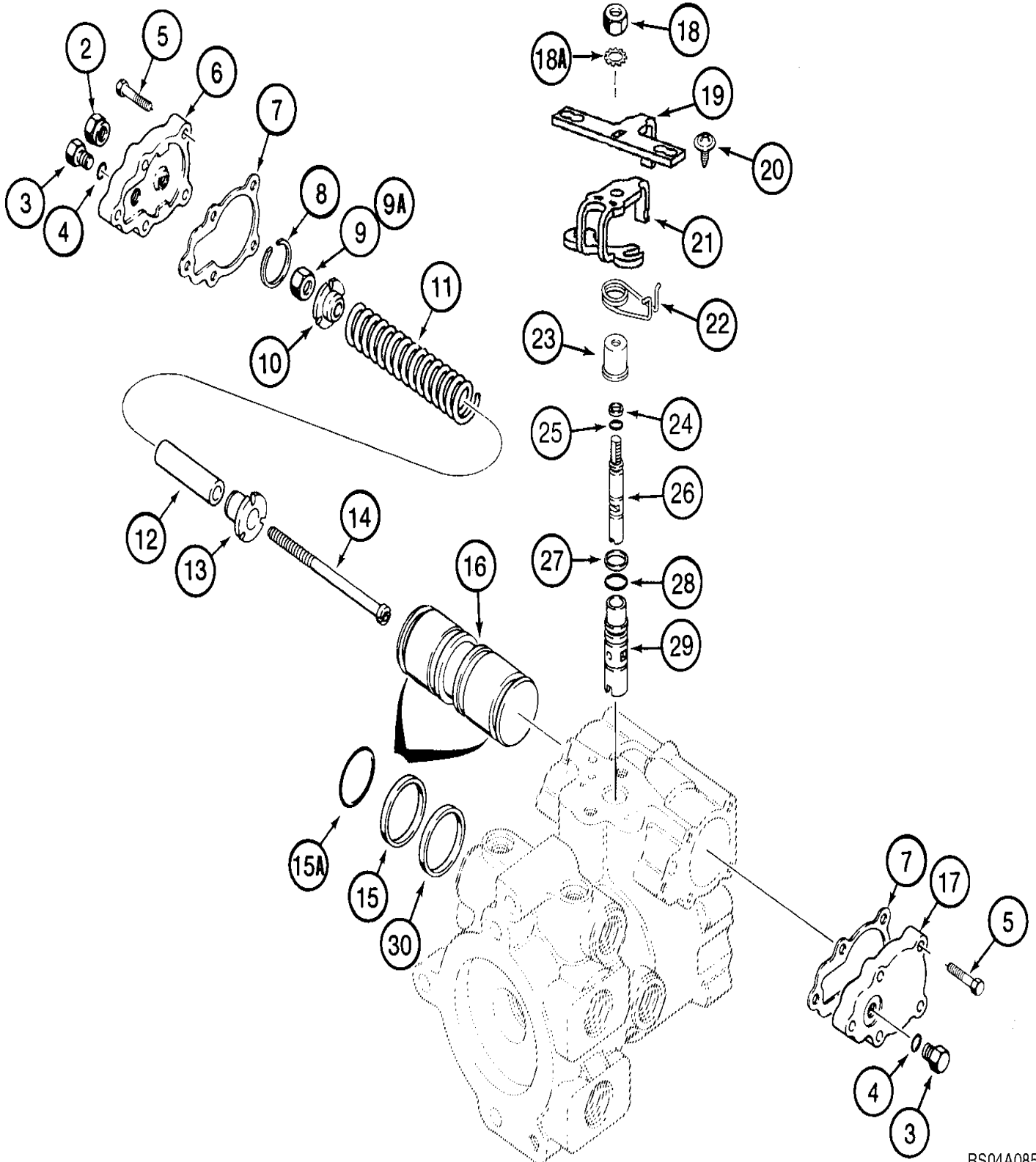
HYDROSTATICS - PUMP AND DRIVE MOTORS, NORTH AMERICAN MODELS WITH MECHANICAL BRAKES



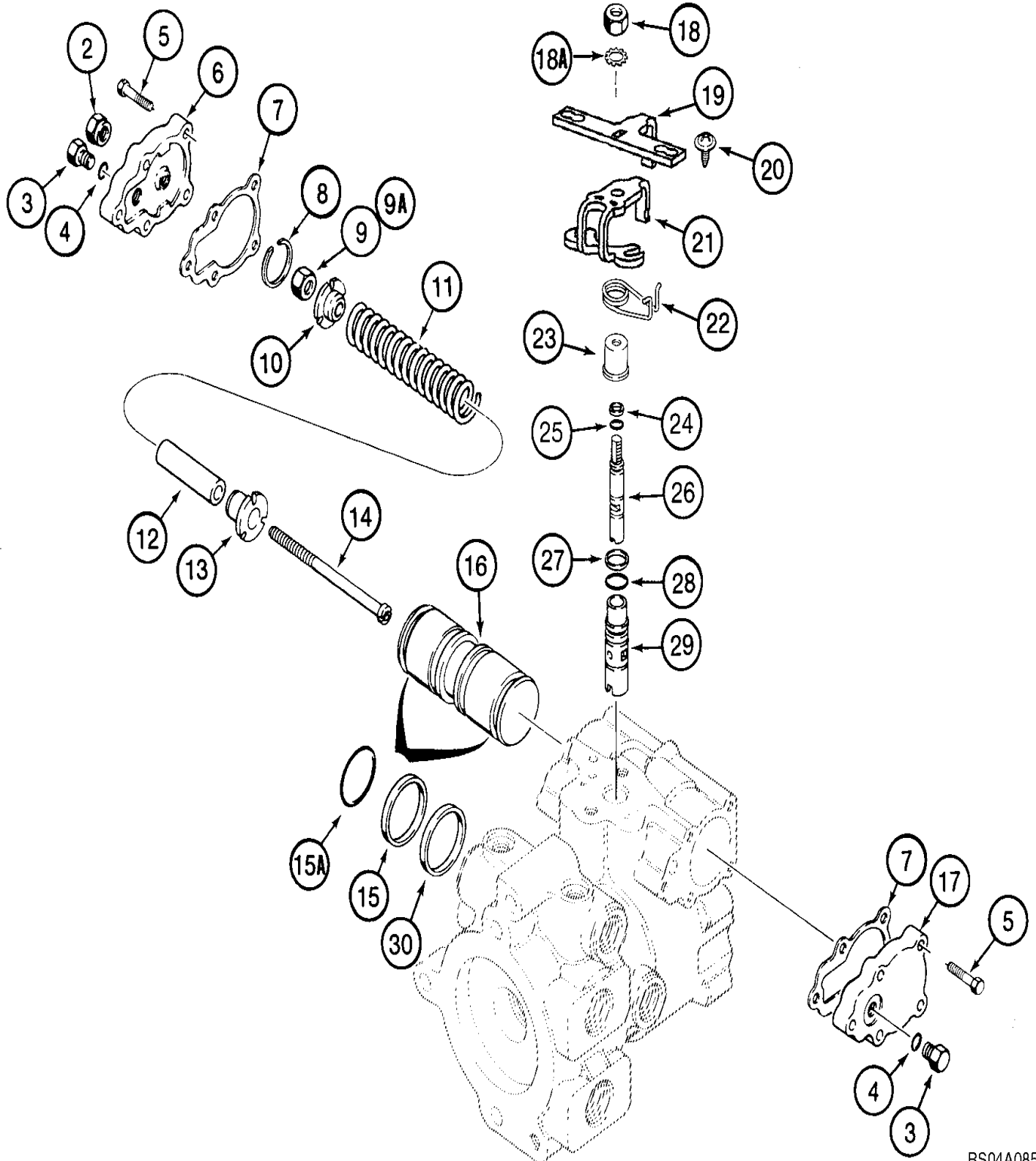
FILTER ASSY - MOUNTING



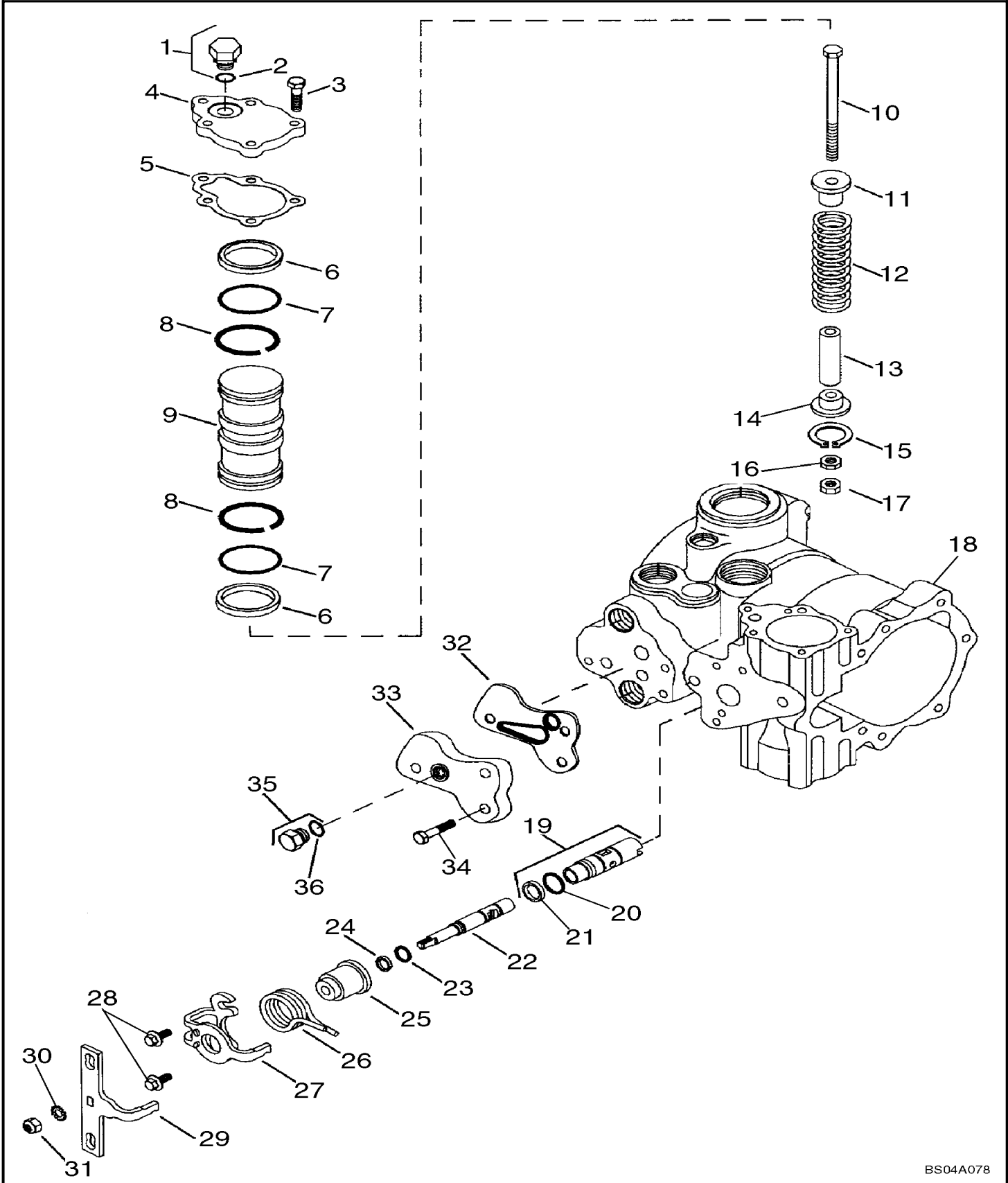
PUMP, TANDEM (FRONT) 404281A1



PUMP, TANDEM (REAR) 404281A1



PUMP, TANDEM (FRONT) 404281A2

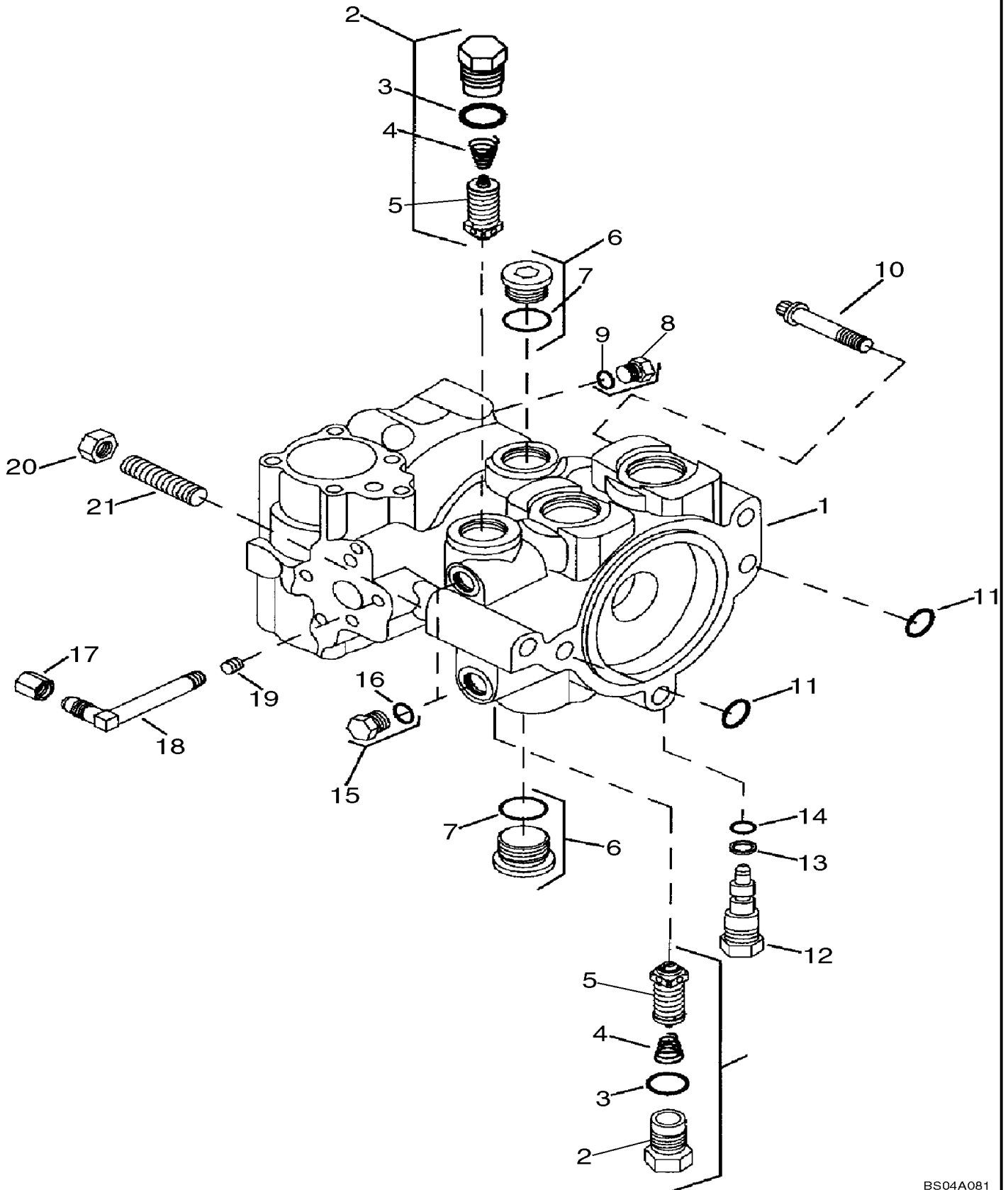


06-17

p1

10/201
8

PUMP, TANDEM (REAR) 404281A2

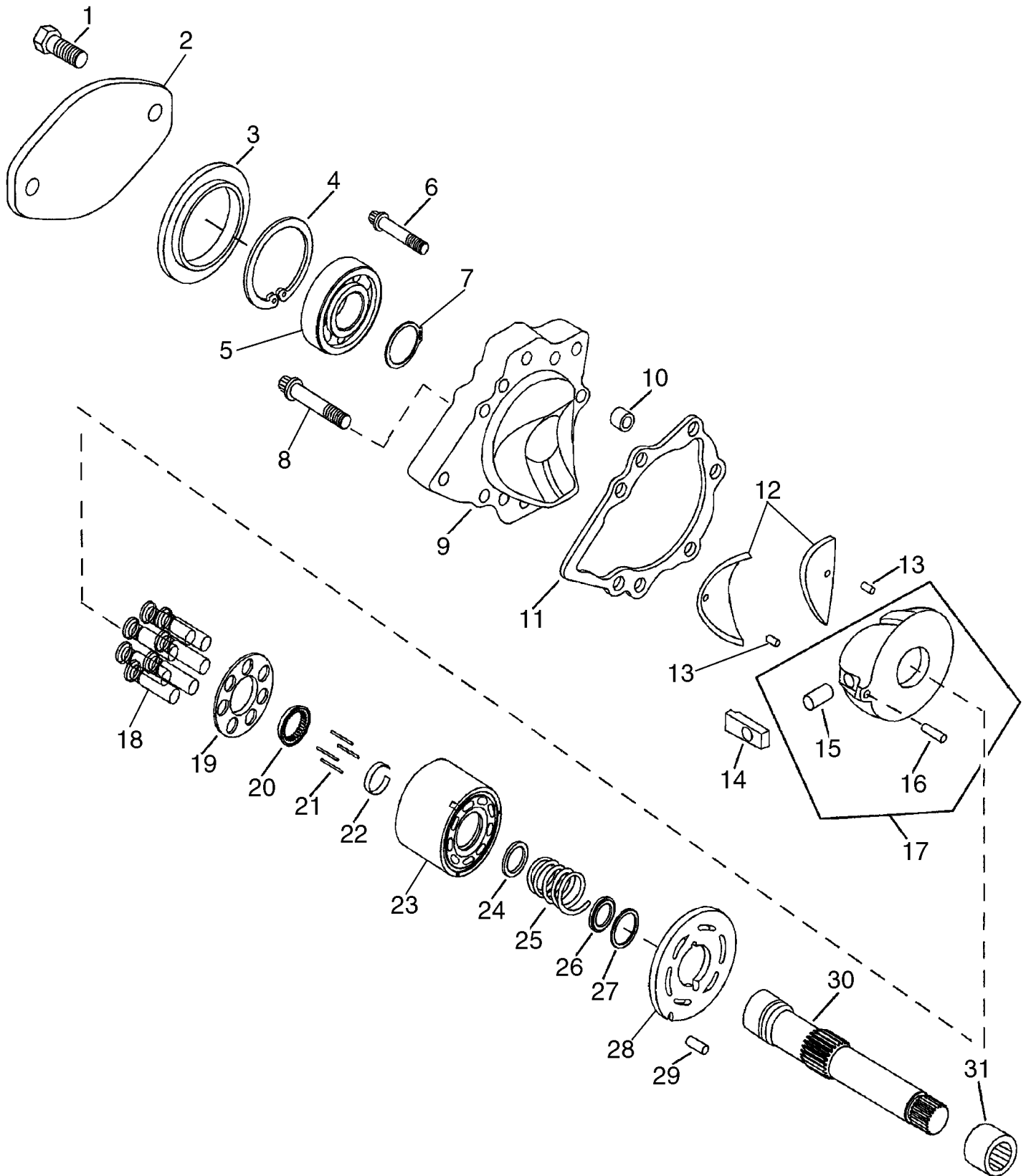


06-19

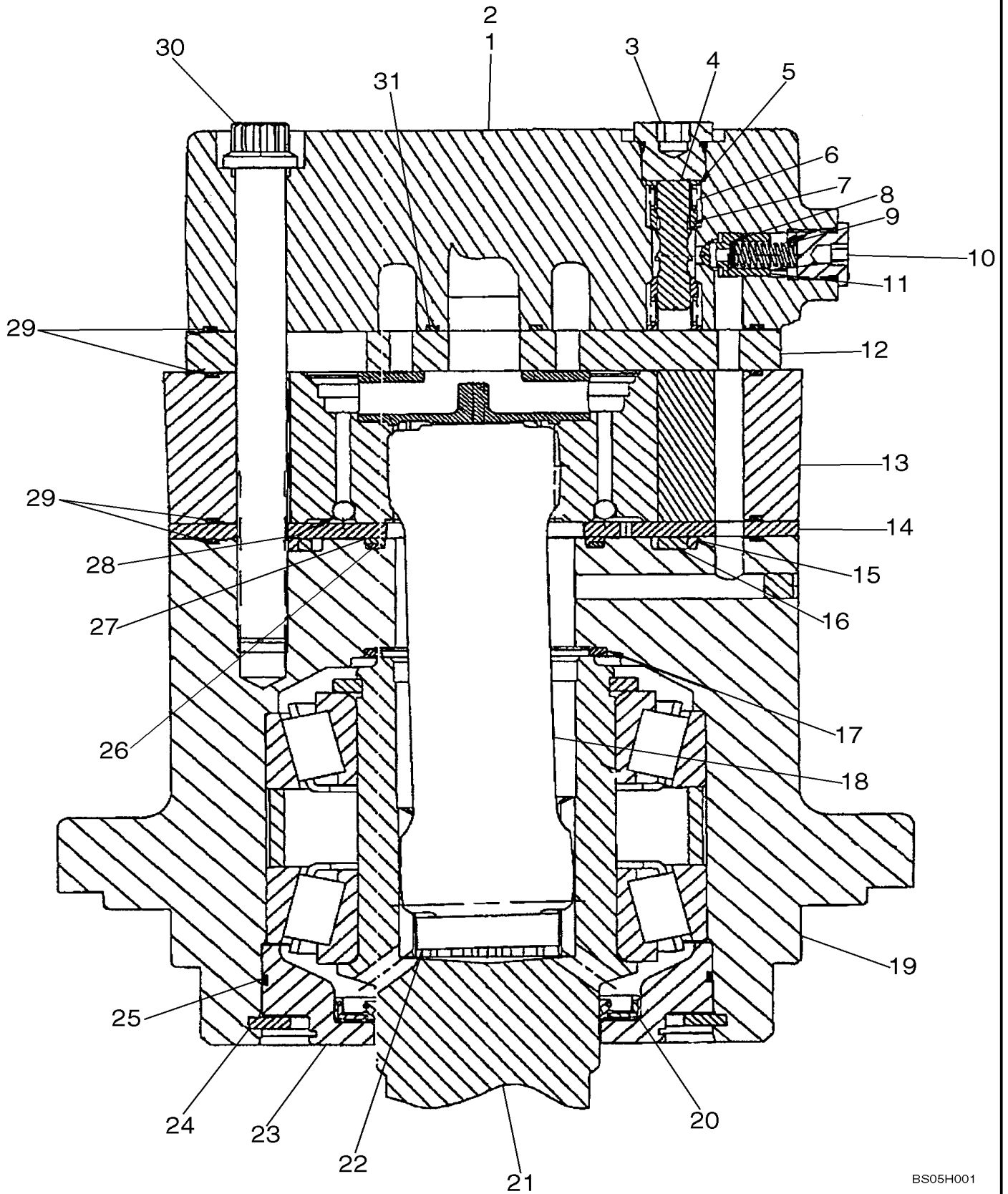
p2

10/201
8

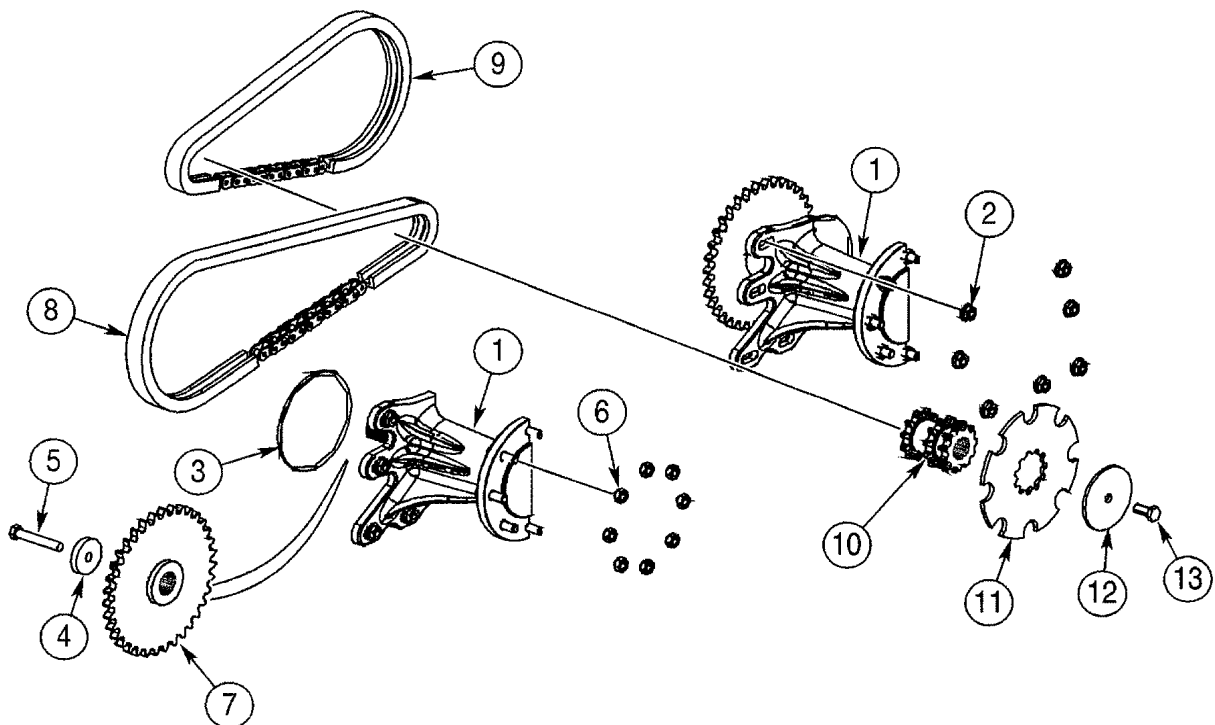
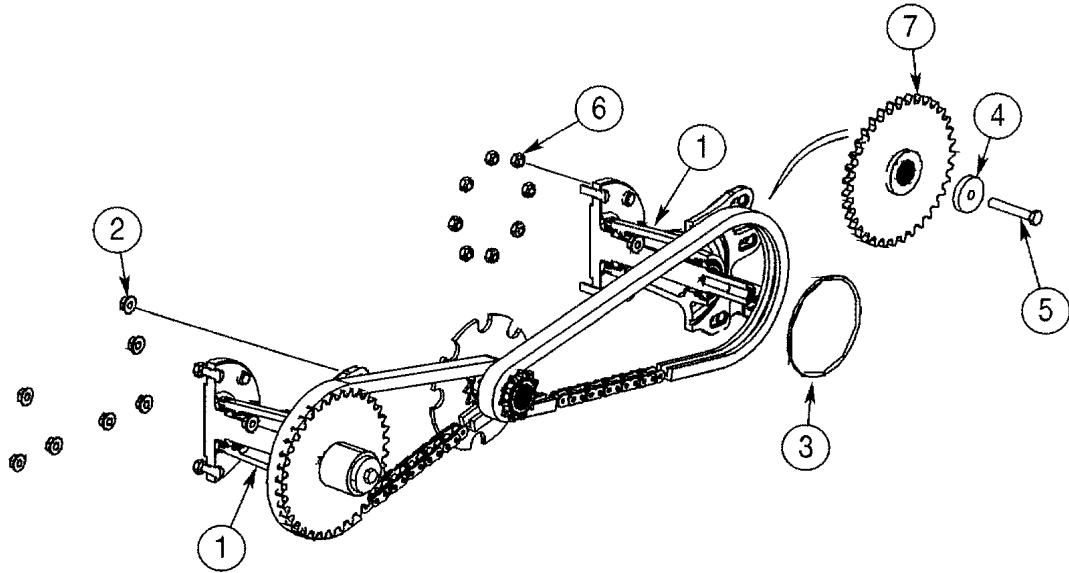
PUMP, TANDEM (REAR) 404281A2



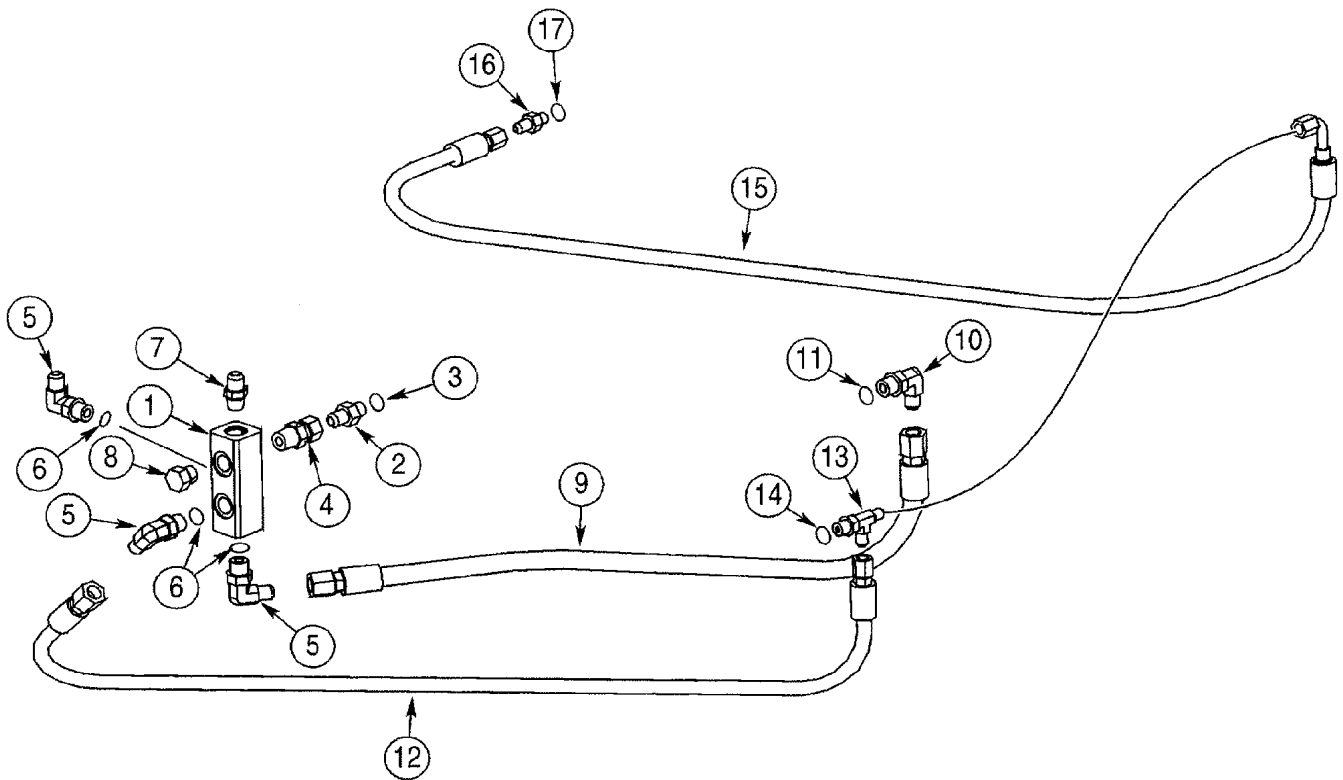
MOTOR ASSY, NORTH AMERICAN MODELS WITH MECHANICAL BRAKES



DRIVE LINE, NORTH AMERICAN MODELS



BRAKE SYSTEM - HYDRAULIC

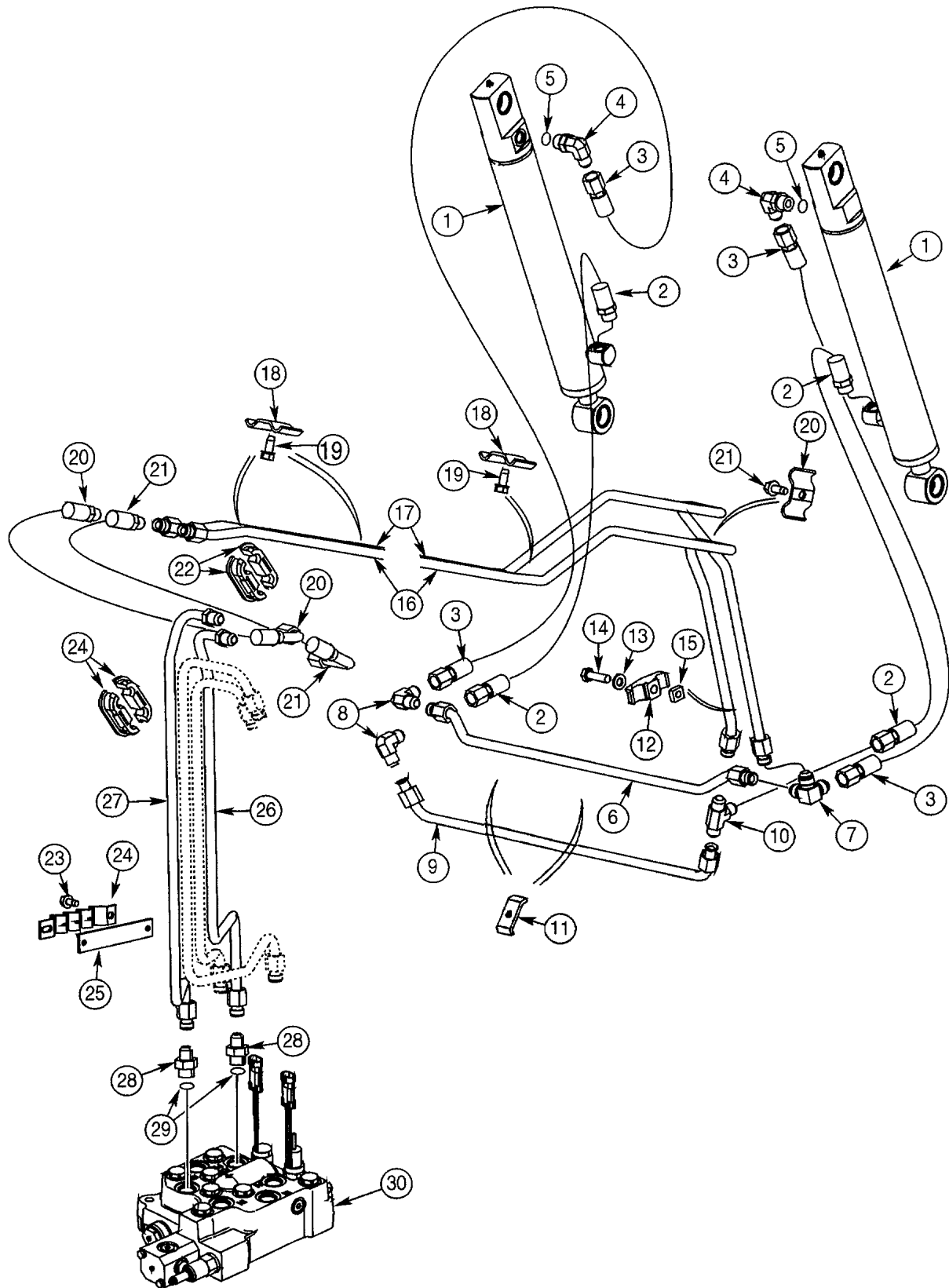


SECTION INDEX

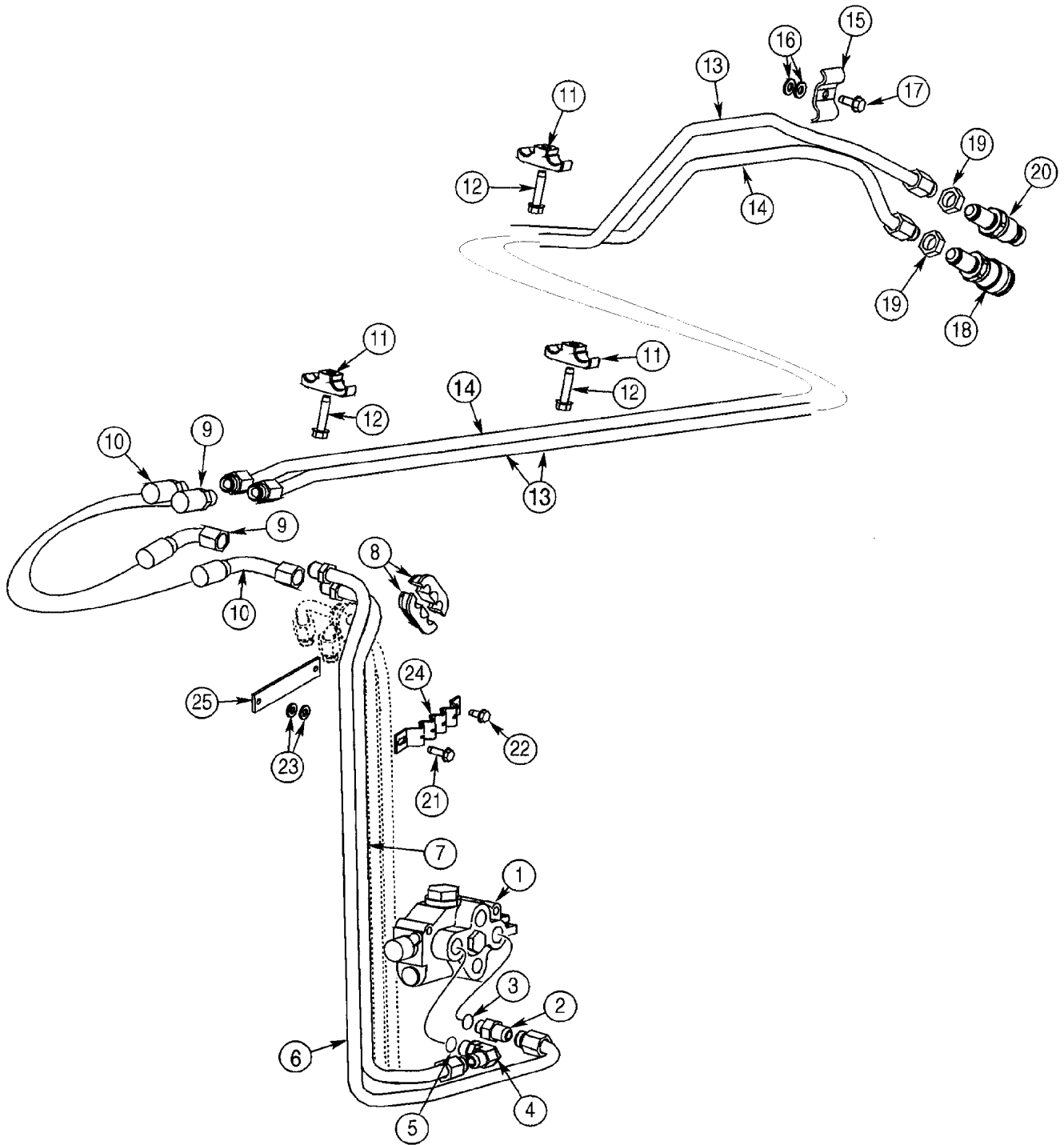
HYDRAULICS

08-01	HYDRAULICS - LOADER LIFT
08-02	HYDRAULICS - LOADER BUCKET
08-03	HYDRAULICS - SELF-LEVELING, DUAL
08-04	HYDRAULICS - AUXILIARY SYSTEM
08-05	HYDRAULICS - RIDE CONTROL
08-06	HYDRAULICS - COUPLER SYSTEM
08-07	HYDRAULICS - COUPLER SYSTEM
08-08	HYDRAULICS - COUPLER SYSTEM
08-09	VALVE, CONTROL (LOADER) - MOUNTING
08-10	VALVE, CONTROL (SELF-LEVELING, DUAL) - MOUNTING
08-11	VALVE ASSY, CONTROL - LOADER
08-12	VALVE ASSY, CONTROL - SPOOLS AND DETENTS, LOADER
08-13	VALVE ASSY, CONTROL - SELF-LEVELING, DUAL
08-14	VALVE ASSY, CONTROL - SPOOLS AND DETENTS, DUAL SELF LEVEL
08-15	VALVE, CONTROL - AUXILIARY
08-15A	VALVE, CONTROL - AUXILIARY
08-16	CYLINDER - LOADER LIFT, NA, BSN JAF0374549 , EUROPE, BSN JAF0348068
08-16A	CYLINDER - LOADER LIFT, NA, ASN JAF0374550, EUROPE, ASN JAF0348069
08-16B	CYLINDER - LIFT
08-17	CYLINDER - LOADER BUCKET, NA, BSN JAF0374549 , EUROPE, BSN JAF0348068
08-17A	CYLINDER - LOADER BUCKET, NA, ASN JAF0374550, EUROPE, ASN JAF0348069
08-17B	CYLINDER - TILT
08-18	VALVE, SOLENOID
08-19	HYDRAULICS, ATTACHMENT - HIGH FLOW, GEAR
08-20	HYDRAULICS, ATTACHMENT - HIGH FLOW, GEAR
08-21	HYDRAULICS, ATTACHMENT - HIGH FLOW, GEAR
08-22	HYDRAULICS, ATTACHMENT - HIGH FLOW, GEAR
08-23	HYDRAULICS, ATTACHMENT - HIGH FLOW, GEAR
08-24	HYDRAULICS, ATTACHMENT - HIGH FLOW, GEAR
08-25	VALVE ASSY, CONTROL - HIGH FLOW
08-26	HYDRAULIC SYSTEM - BACKHOE SUPPLY AND RETURN (D100)
08-27	HYDRAULIC SYSTEM - BACKHOE BOOM CYLINDER (D100)
08-28	HYDRAULIC SYSTEM - BACKHOE DIPPER CYLINDER (D100)

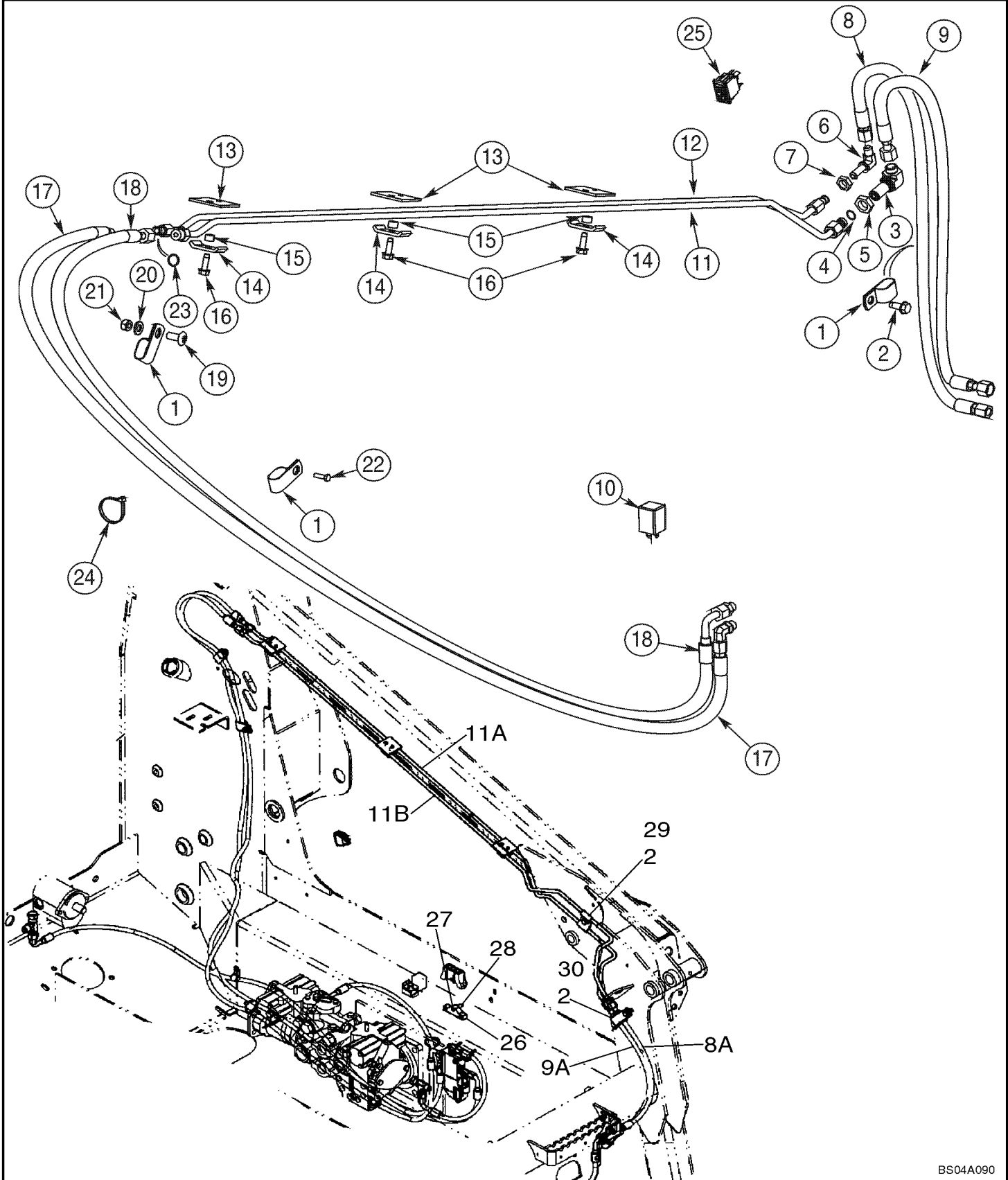
HYDRAULICS - LOADER BUCKET



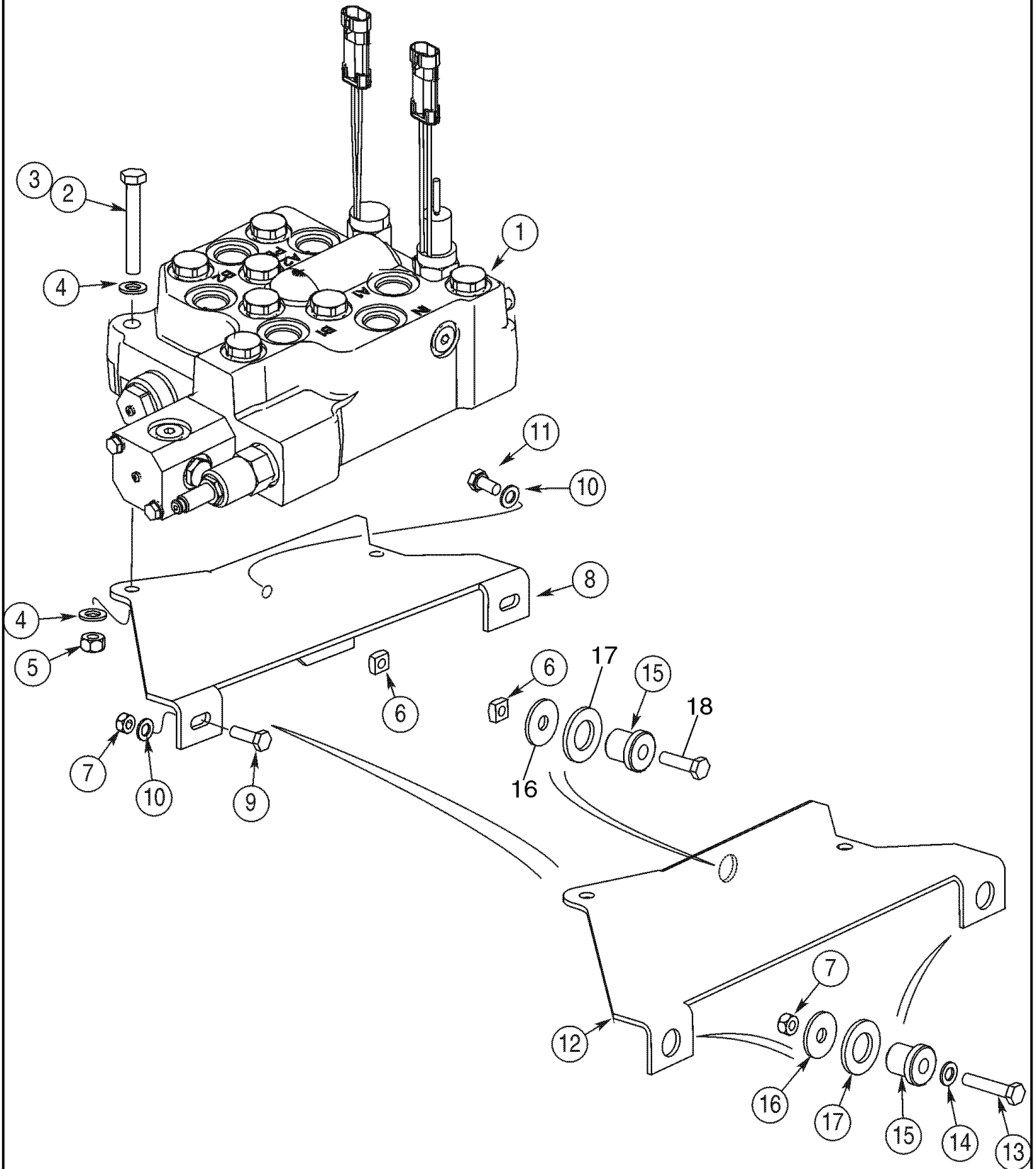
HYDRAULICS - AUXILIARY SYSTEM



HYDRAULICS - COUPLER SYSTEM



VALVE, CONTROL (LOADER) - MOUNTING

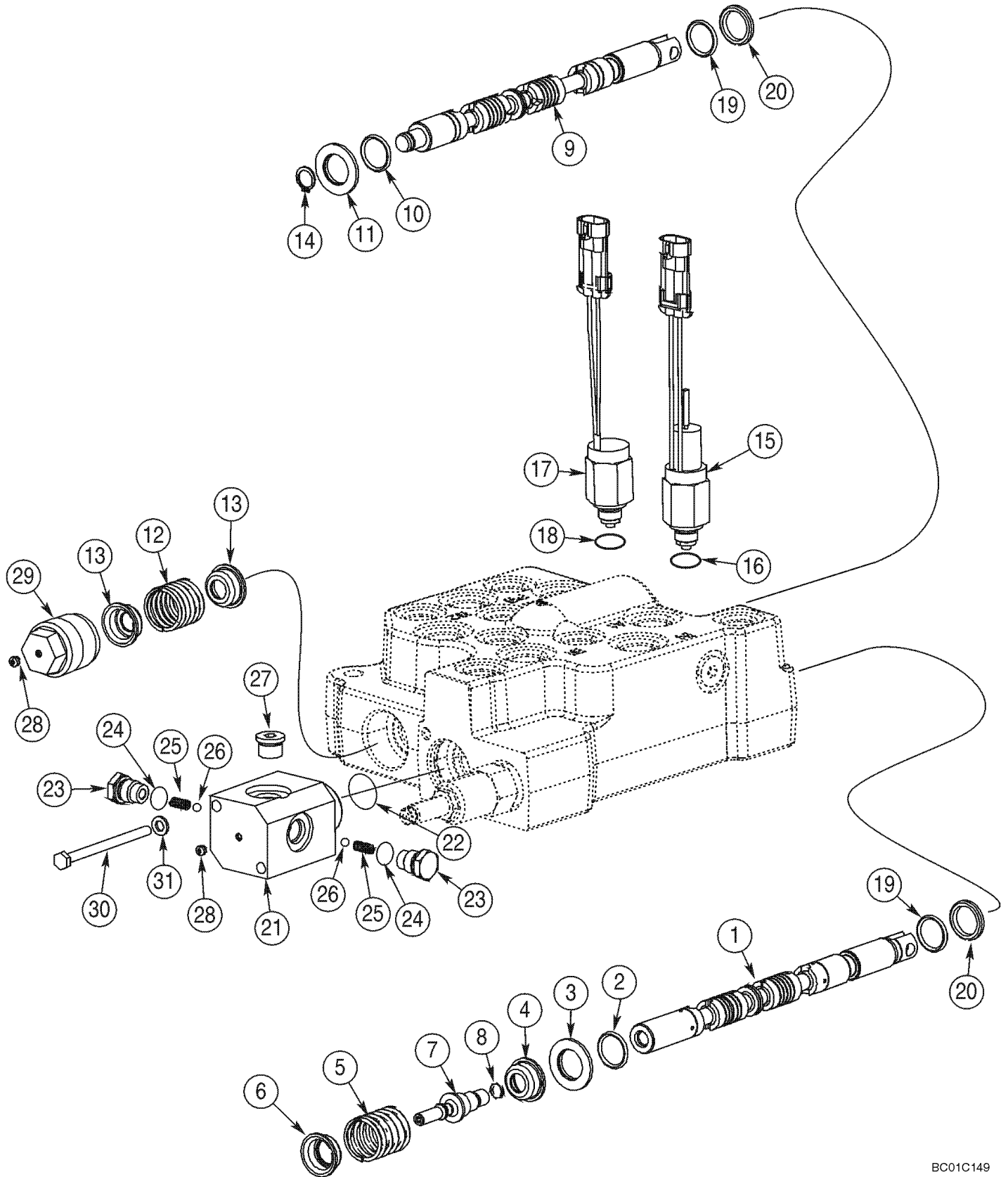


08-12

p1

10/201
8

VALVE ASSY, CONTROL - SPOOLS AND DETENTS, LOADER

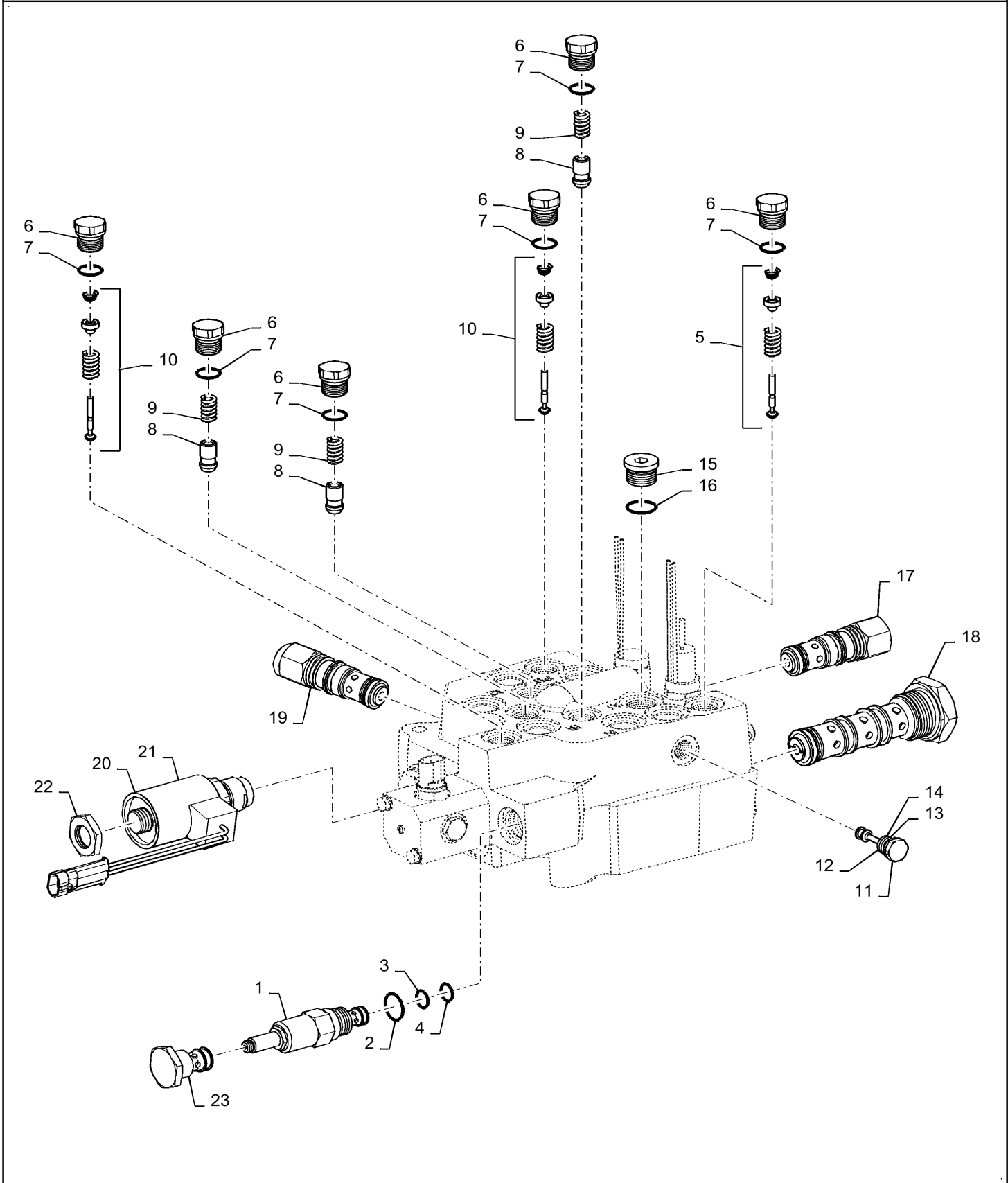


08-13

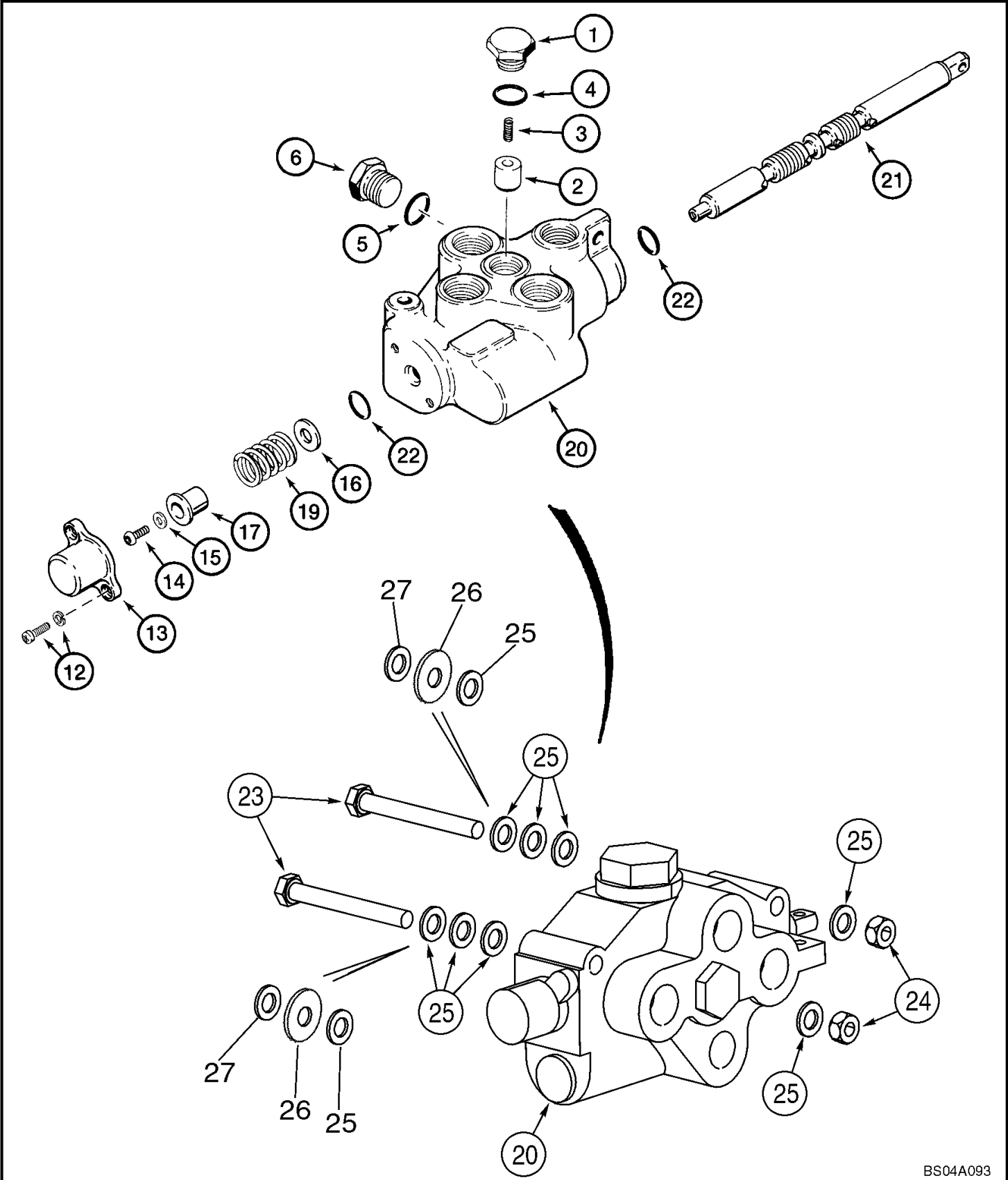
p3

10/201
8

VALVE ASSY, CONTROL - SELF-LEVELING, DUAL



VALVE, CONTROL - AUXILIARY



CLICK HERE TO **DOWNLOAD** THE COMPLETE MANUAL

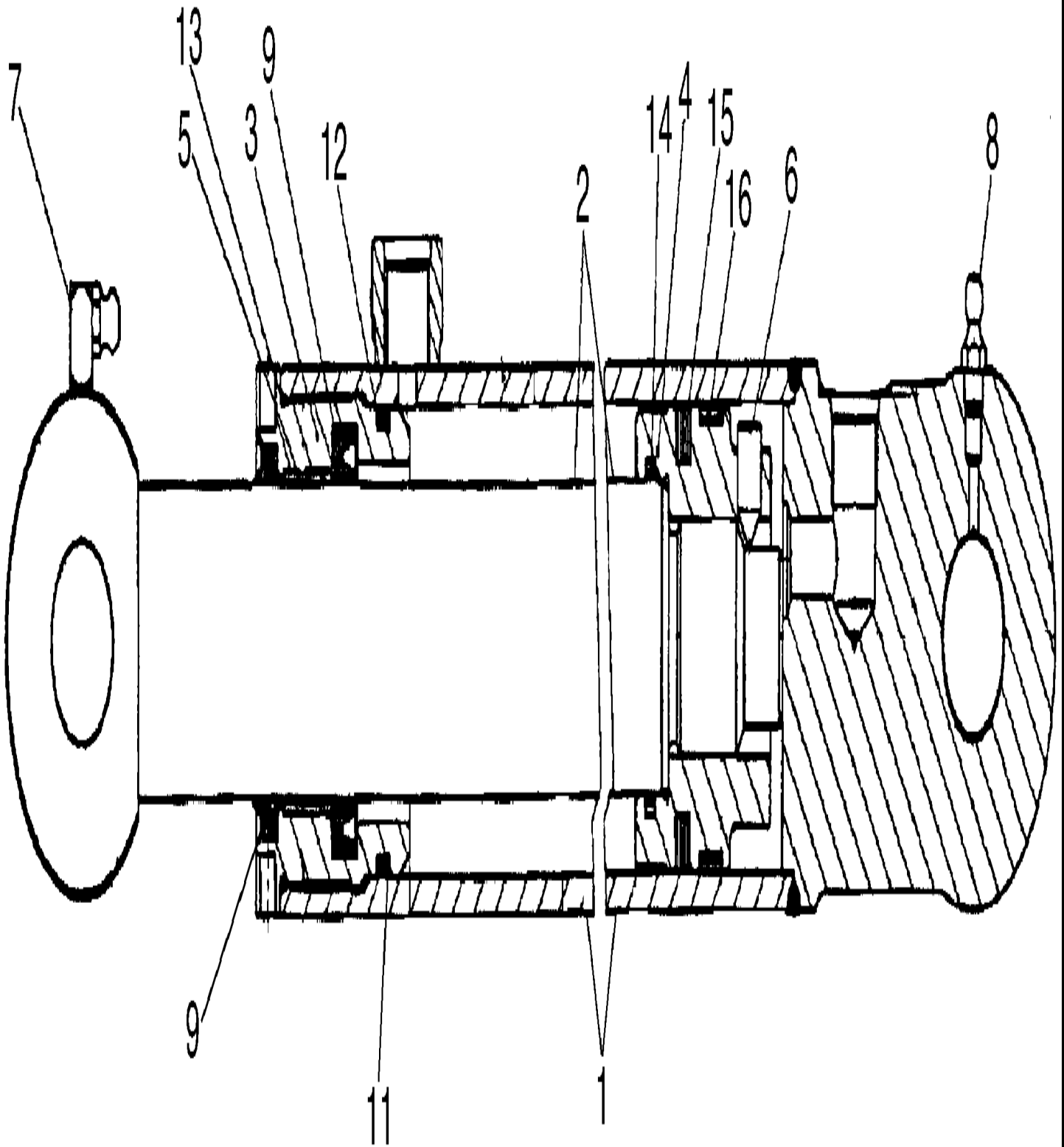
- Thank you very much for reading the preview of the manual.
- You can download the complete manual from: www.heydownloads.com by clicking the link below



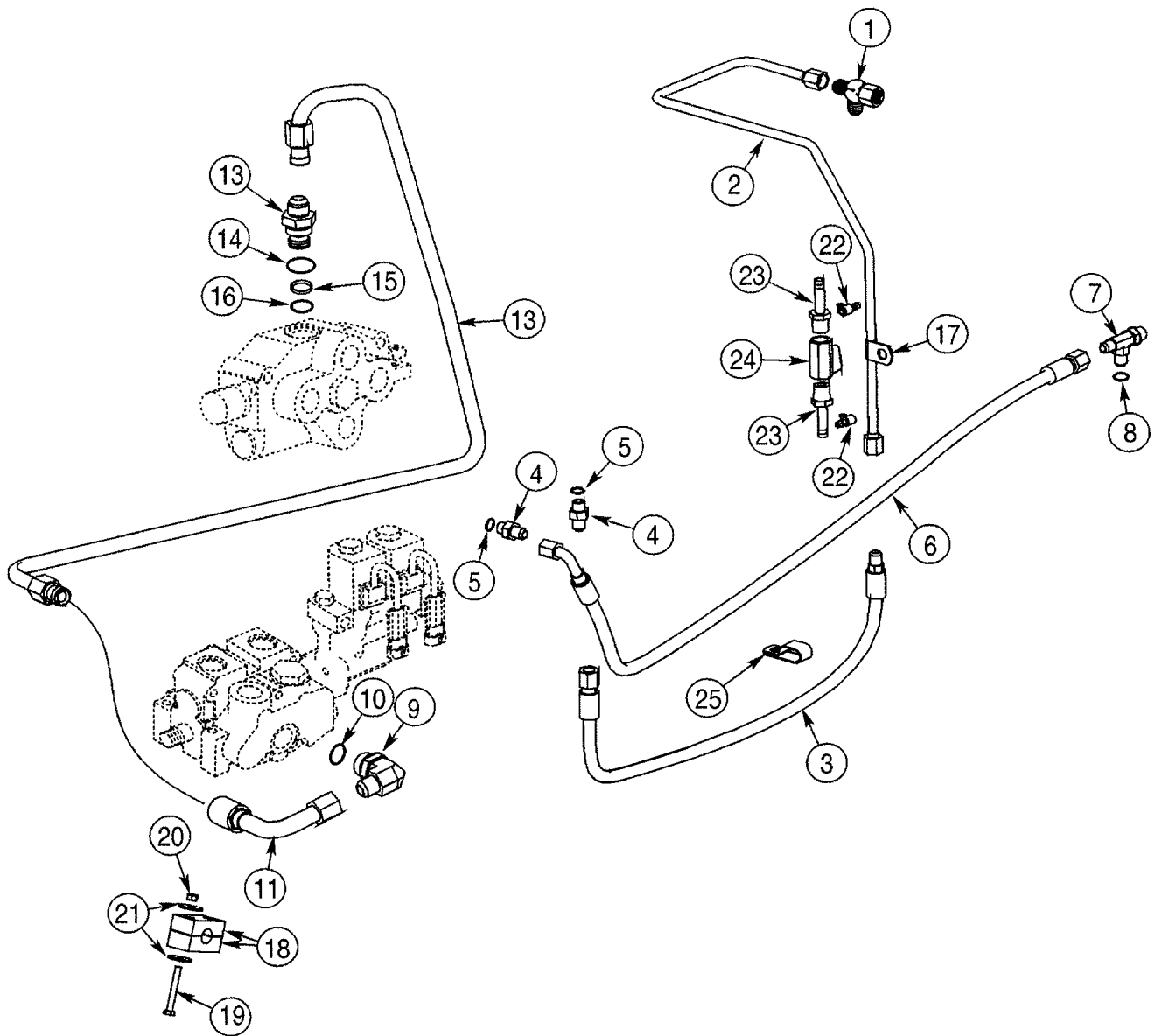
- Please note: If there is no response to CLICKING the link, please download this PDF first and then click on it.

CLICK HERE TO **DOWNLOAD** THE COMPLETE MANUAL

CYLINDER - LOADER LIFT, NA, ASN JAF0374550, EUROPE, ASN JAF0348069



HYDRAULICS, ATTACHMENT - HIGH FLOW, GEAR

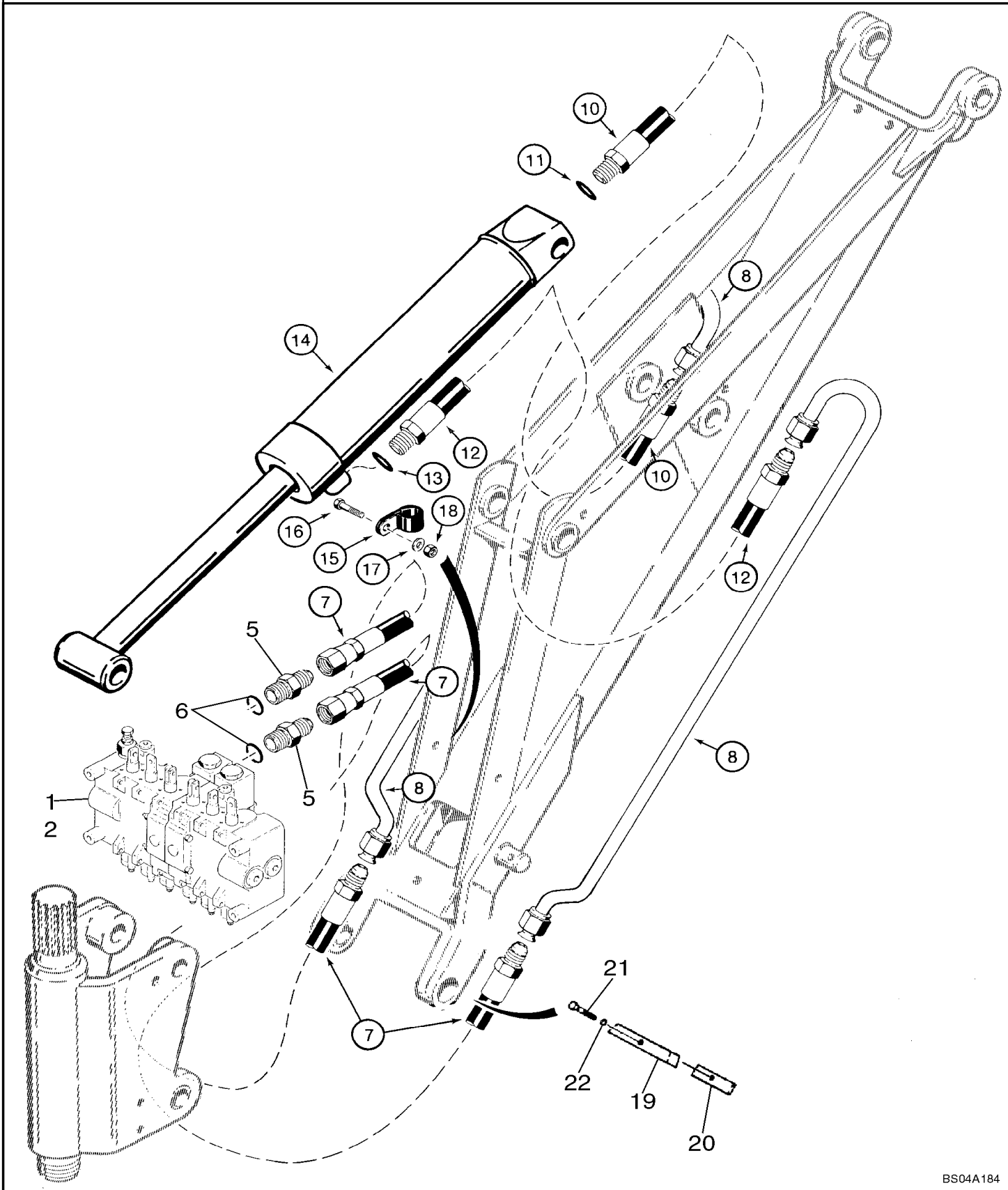


08-27

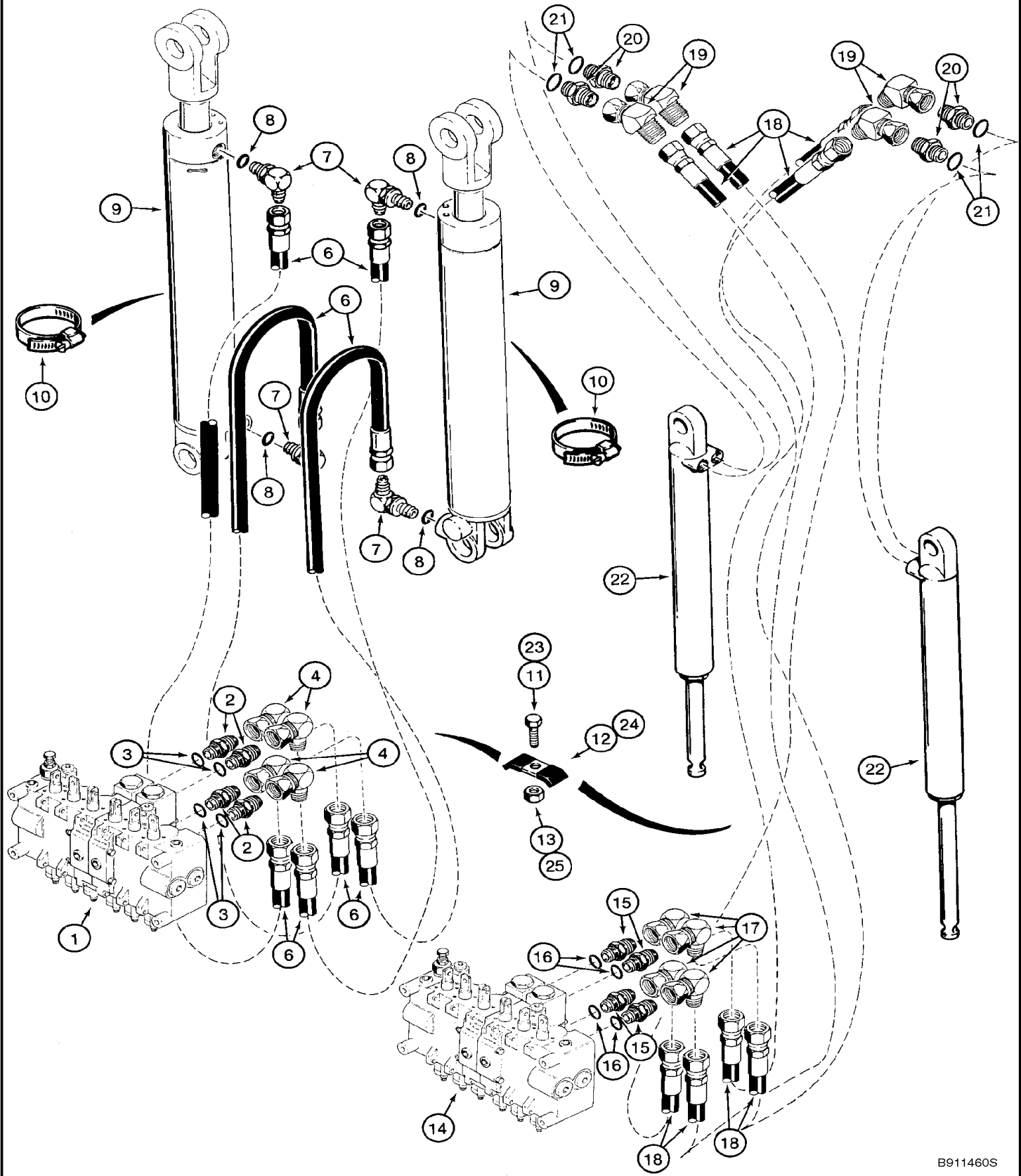
p2

10/201
8

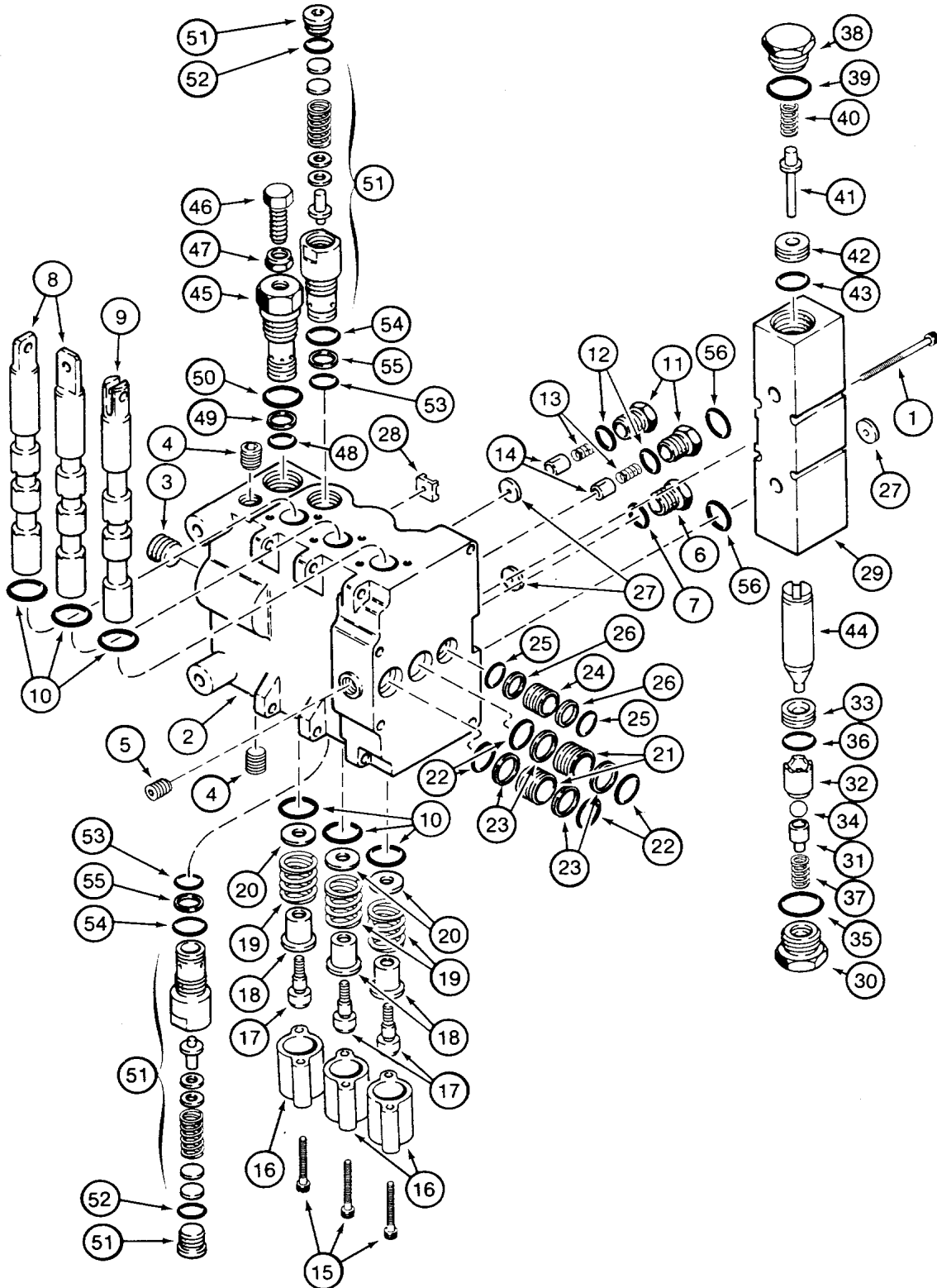
HYDRAULIC SYSTEM - BACKHOE BOOM CYLINDER (D100)



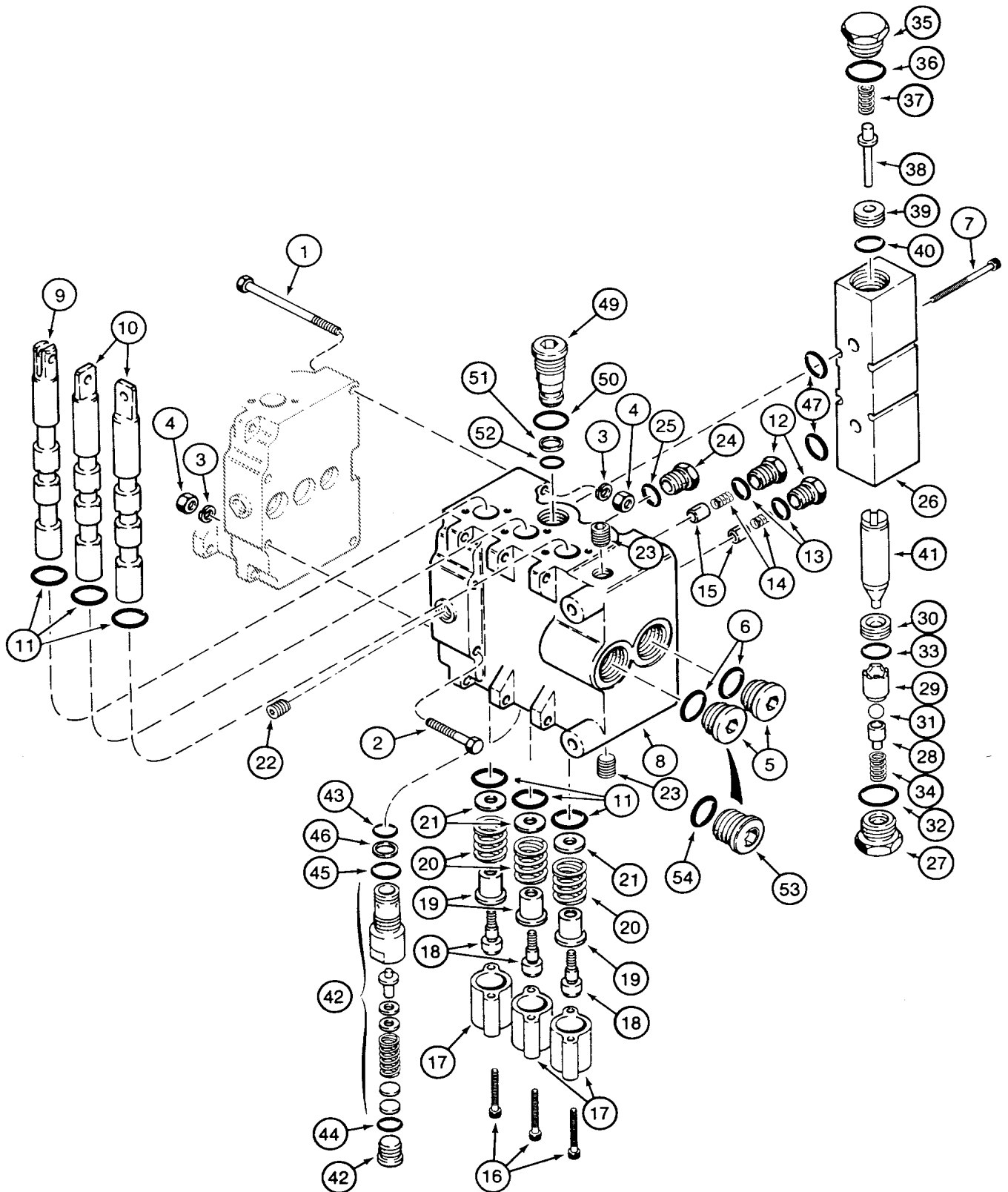
HYDRAULIC SYSTEM - BACKHOE STABILIZER CYLINDER (D100)



VALVE, CONTROL - BACKHOE (D100)



VALVE, CONTROL - BACKHOE (D100)

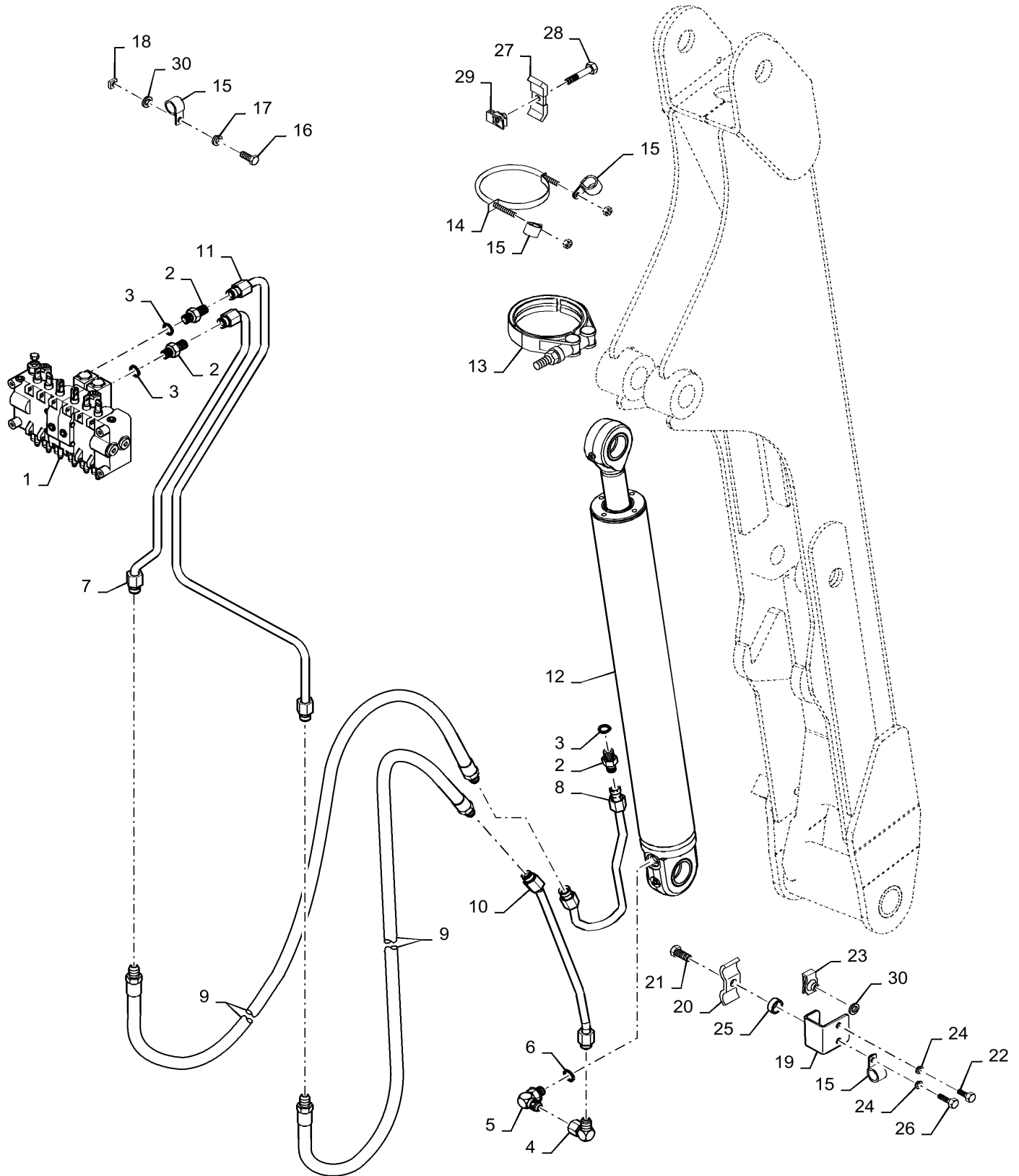


08-38

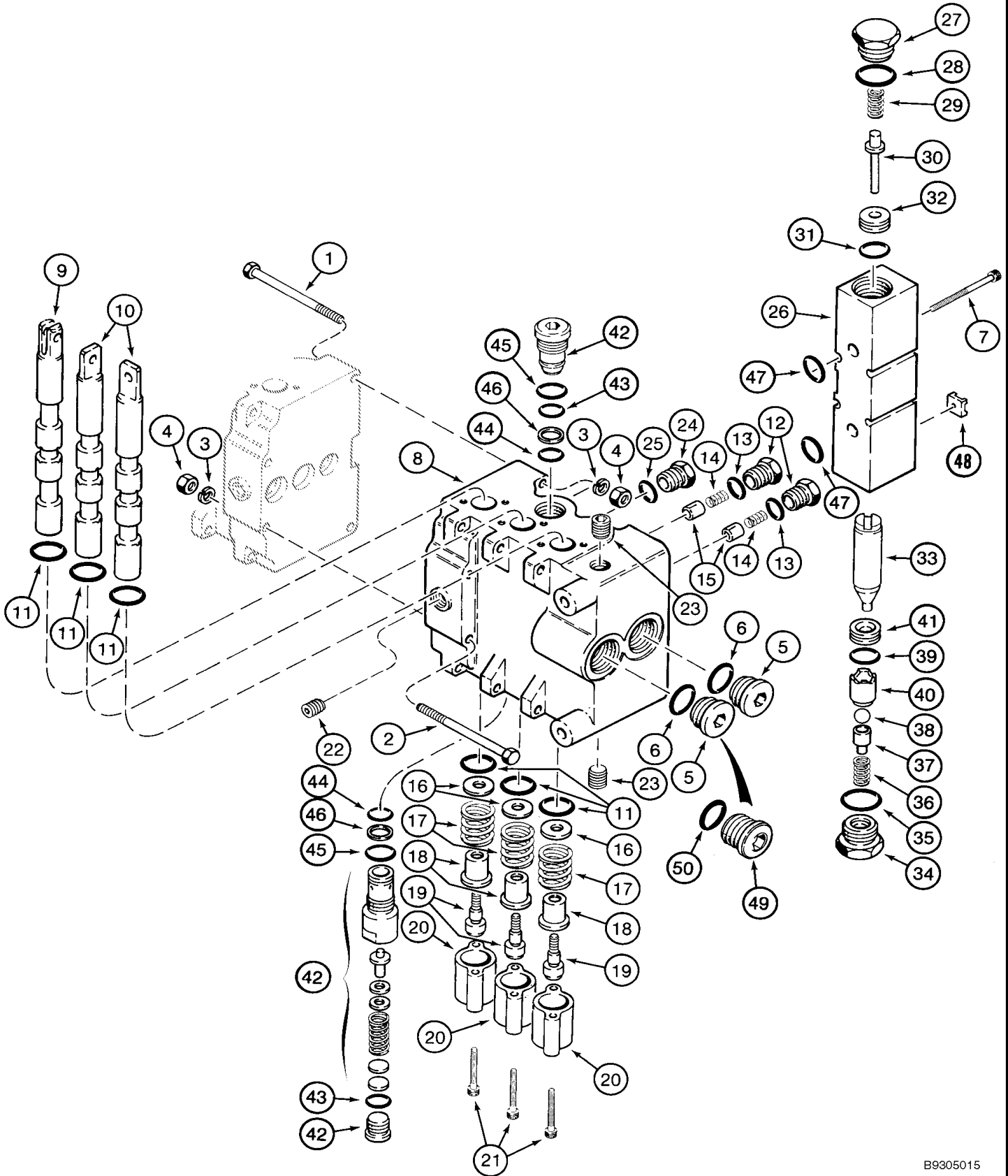
p1

10/201
8

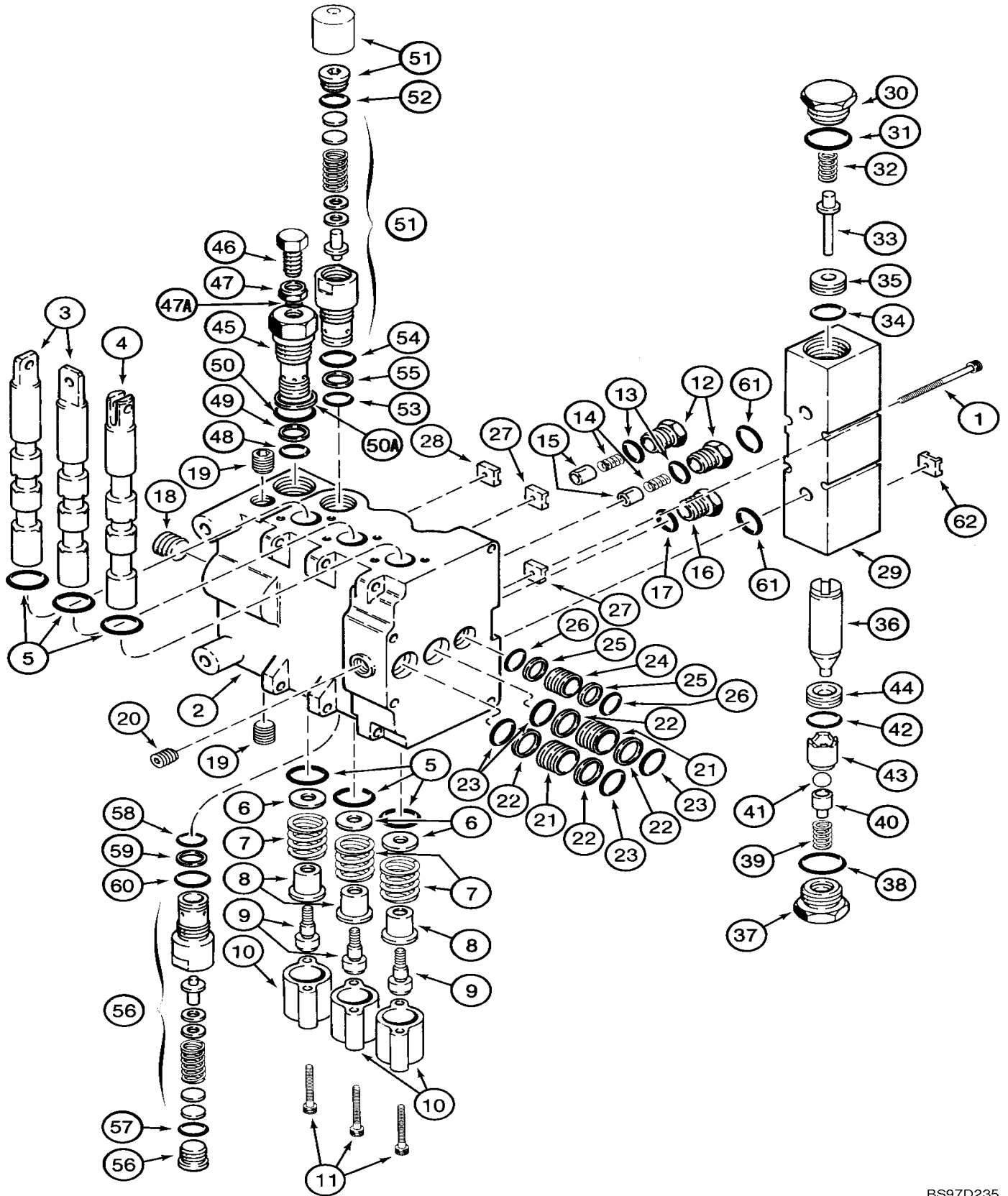
HYDRAULIC SYSTEM - BACKHOE BOOM CYLINDER (D125)



VALVE, CONTROL - BACKHOE (NORTH AMERICA) D125



VALVE, CONTROL - BACKHOE (D125)

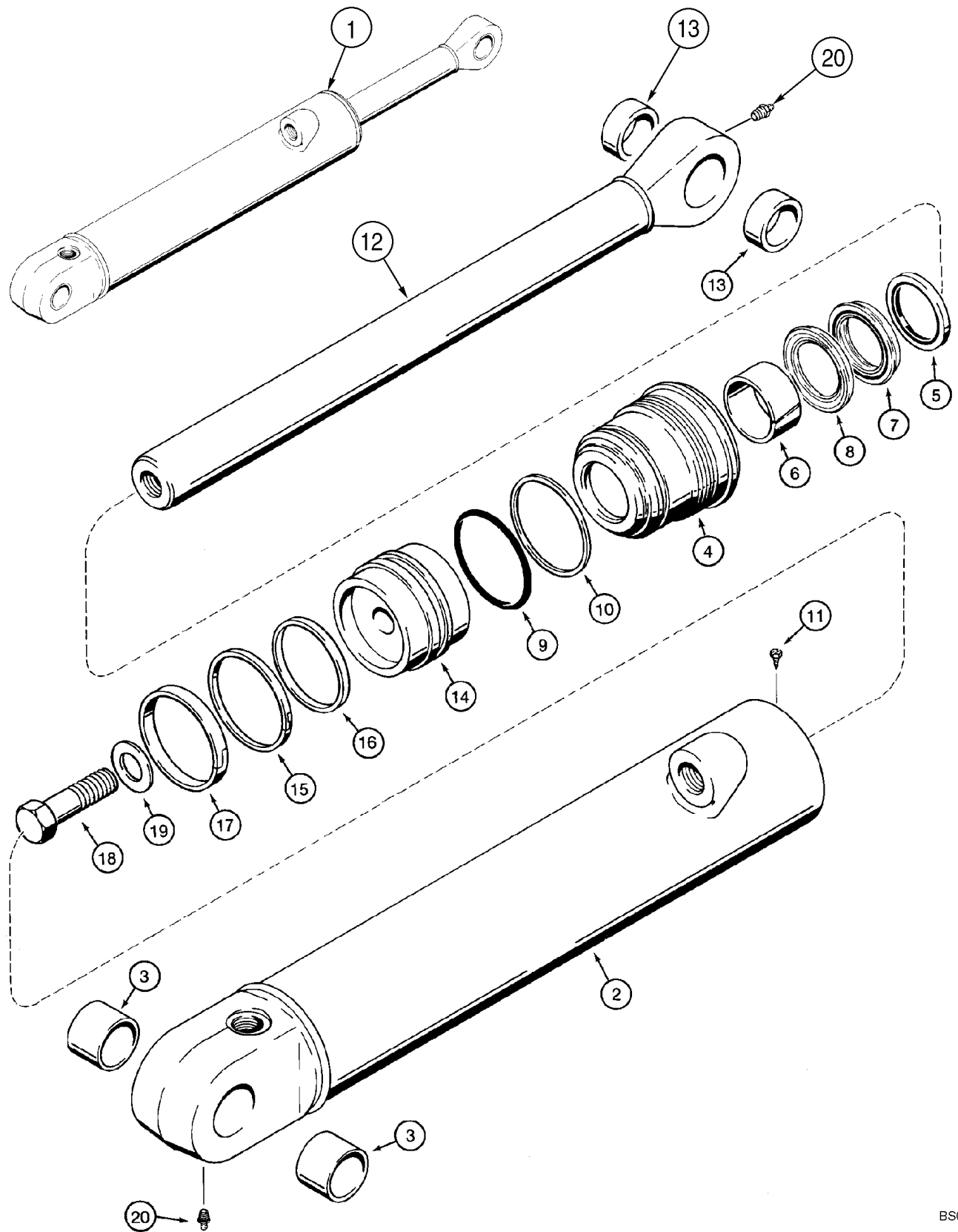


08-48

p2

10/201
8

CYLINDER ASSY - BACKHOE DIPPER (NORTH AMERICA) D125



SECTION INDEX

CHASSIS

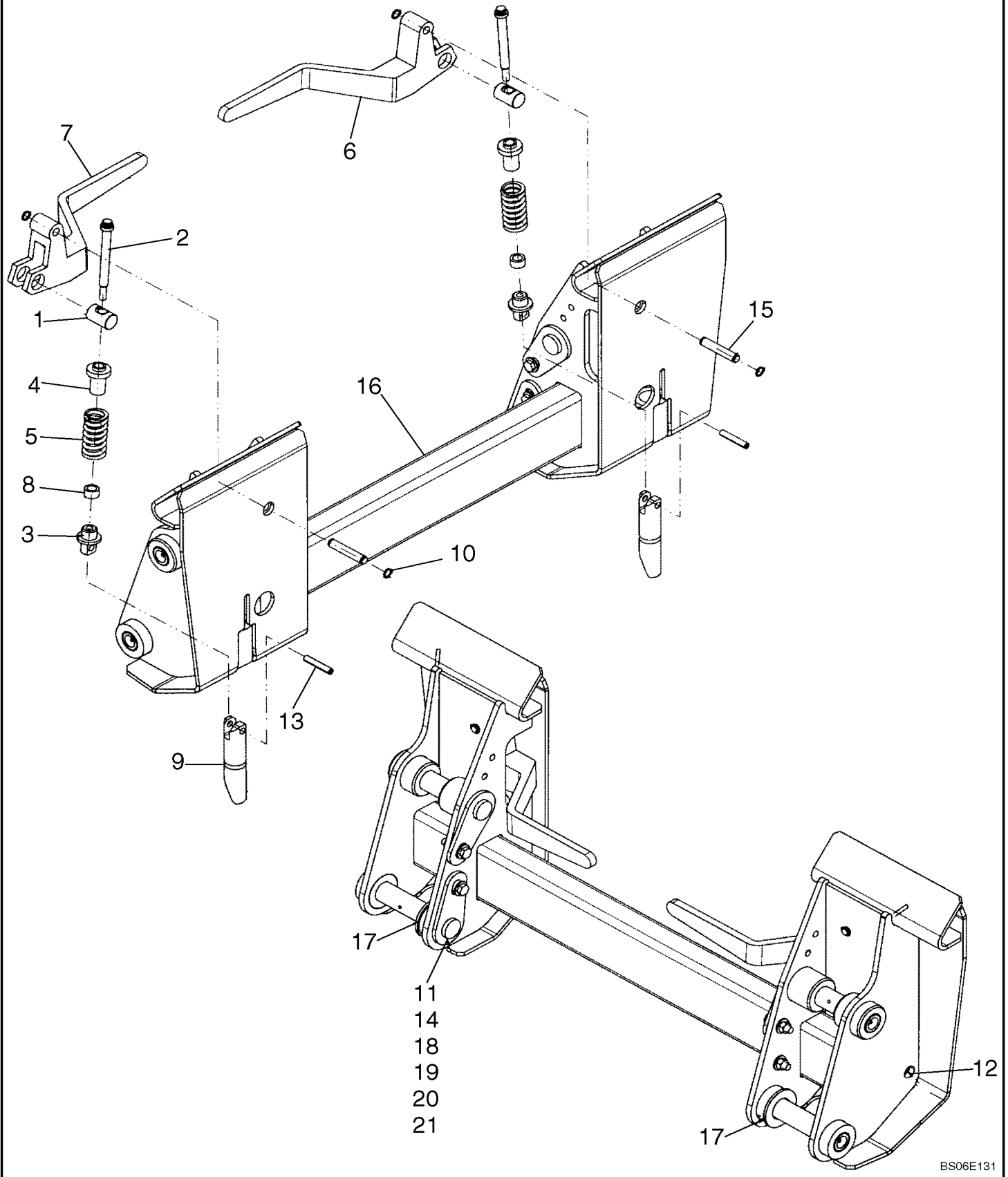
09-59	DECALS
09-60	DECALS - ENGLISH
09-61	DECALS - BRAZILIAN PORTUGUESE, CANADIAN FRENCH, LATIN AMERICAN SPANISH
09-62	DECALS - DANISH, DUTCH, FINNISH
09-63	DECALS - FRENCH, GERMAN, GREEK
09-64	DECALS - ITALIAN, NORWEGIAN, POLISH
09-65	DECALS - PORTUGUESE, SPANISH, SWEDISH

09-03

p1

10/201
8

COUPLER, MECHANICAL

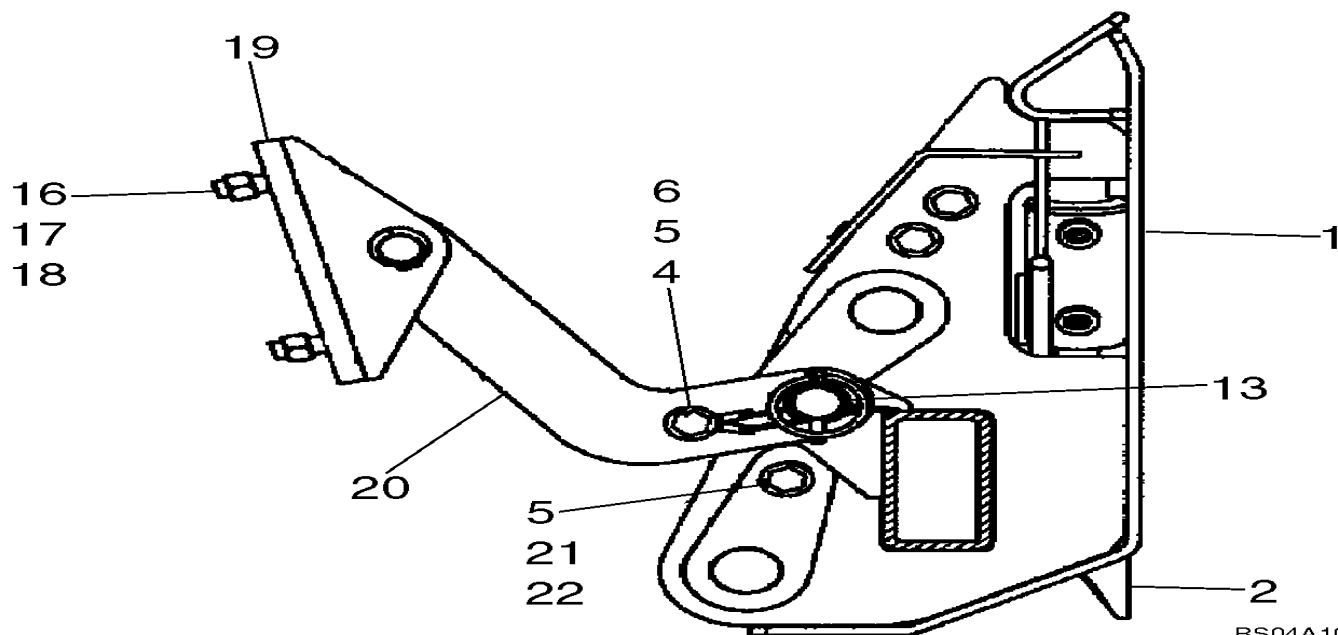
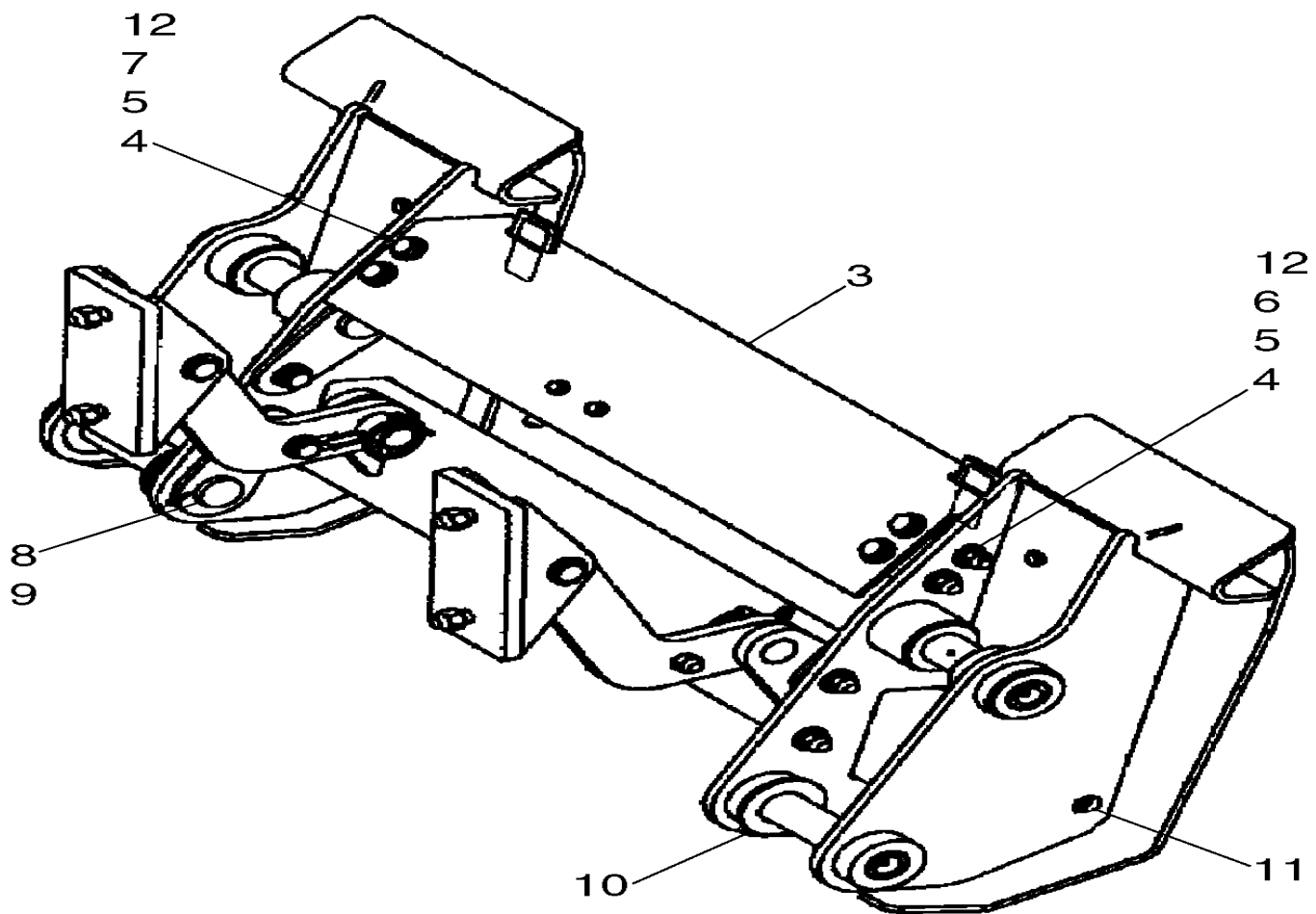


09-04A

p1

10/201
8

COUPLER, HYDRAULIC (ITALIAN)

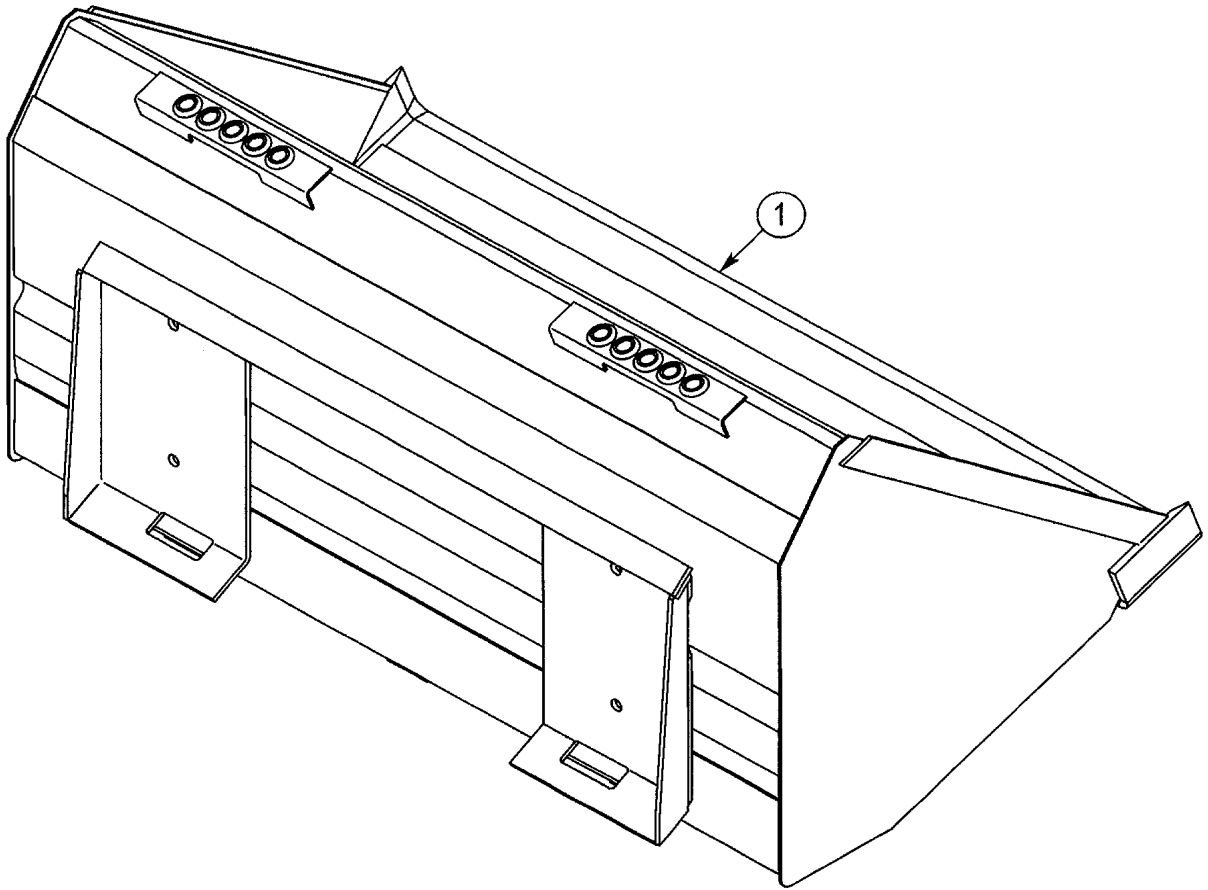


09-07

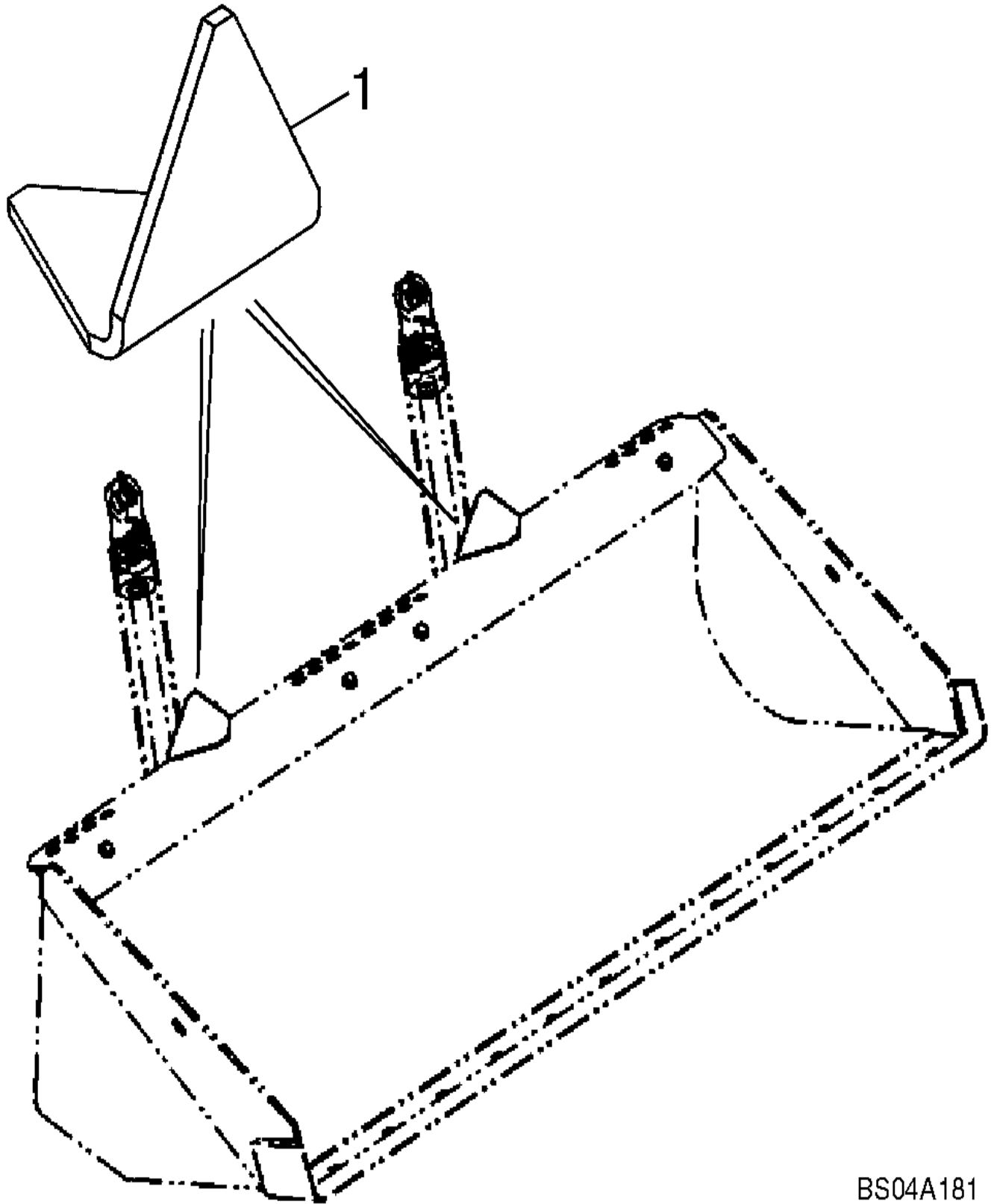
p1

10/201
8

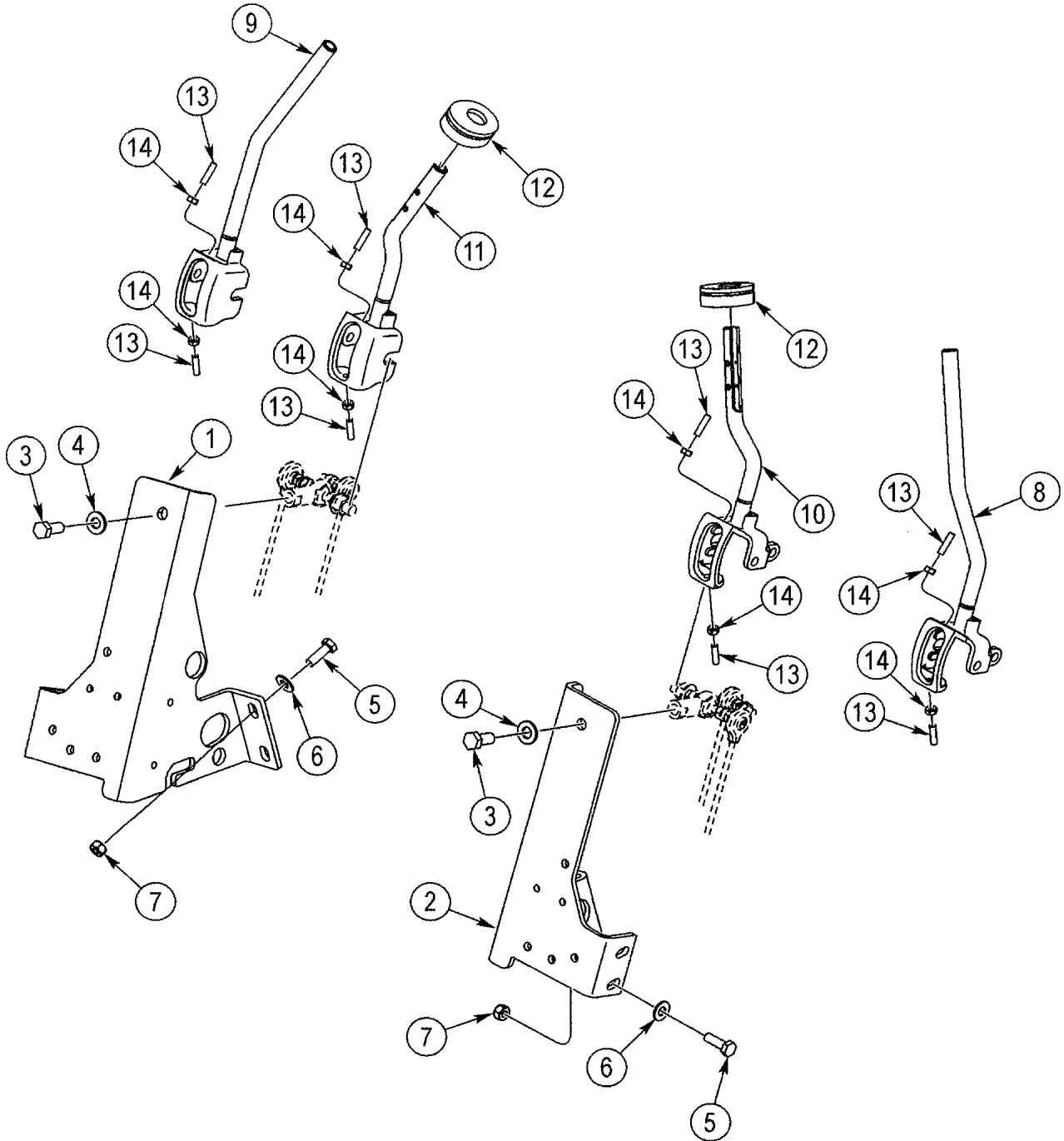
BUCKETS - LOADER, UTILITY / LIGHT MATERIAL



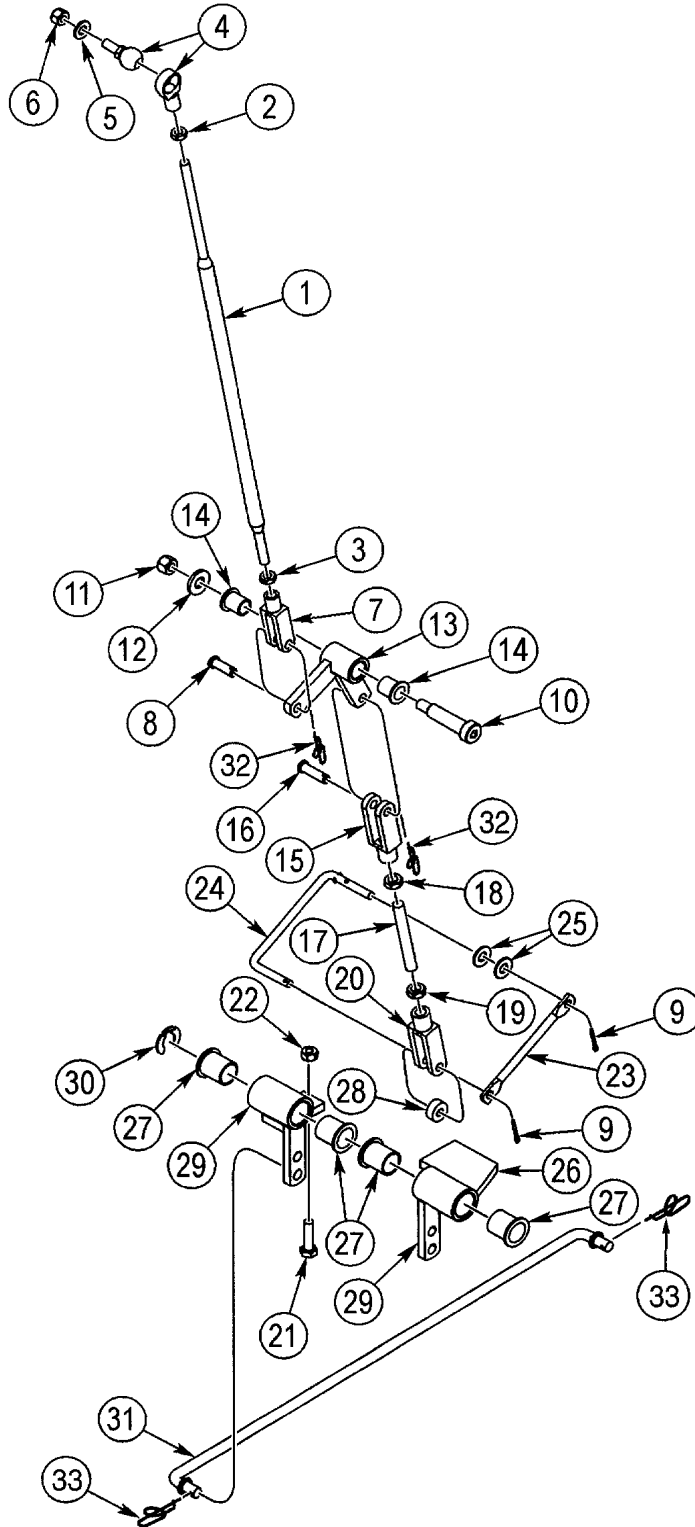
BACKHOE - BUCKET CYLINDER GUARD



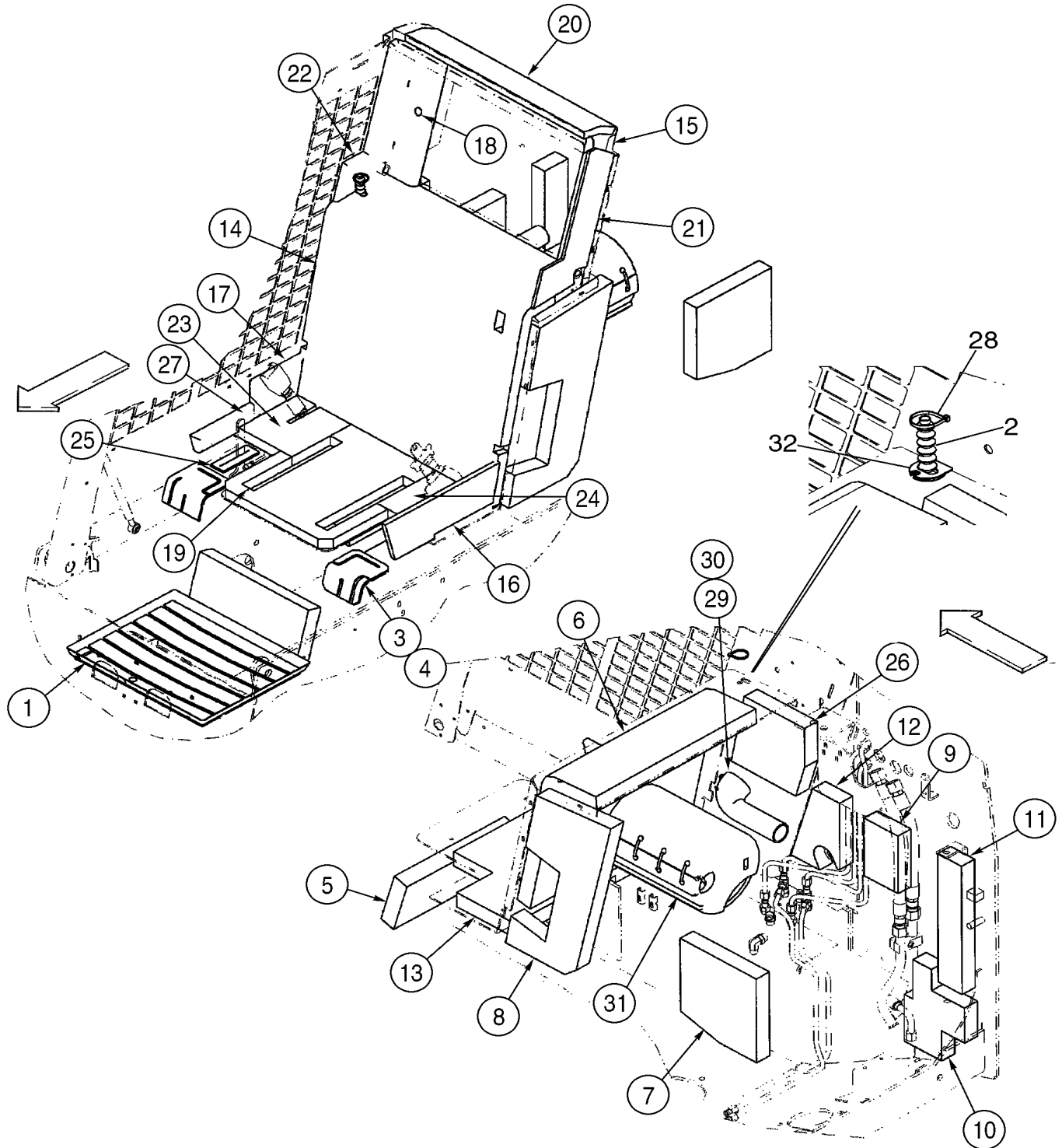
CONTROLS - LOADER AND GROUND DRIVE



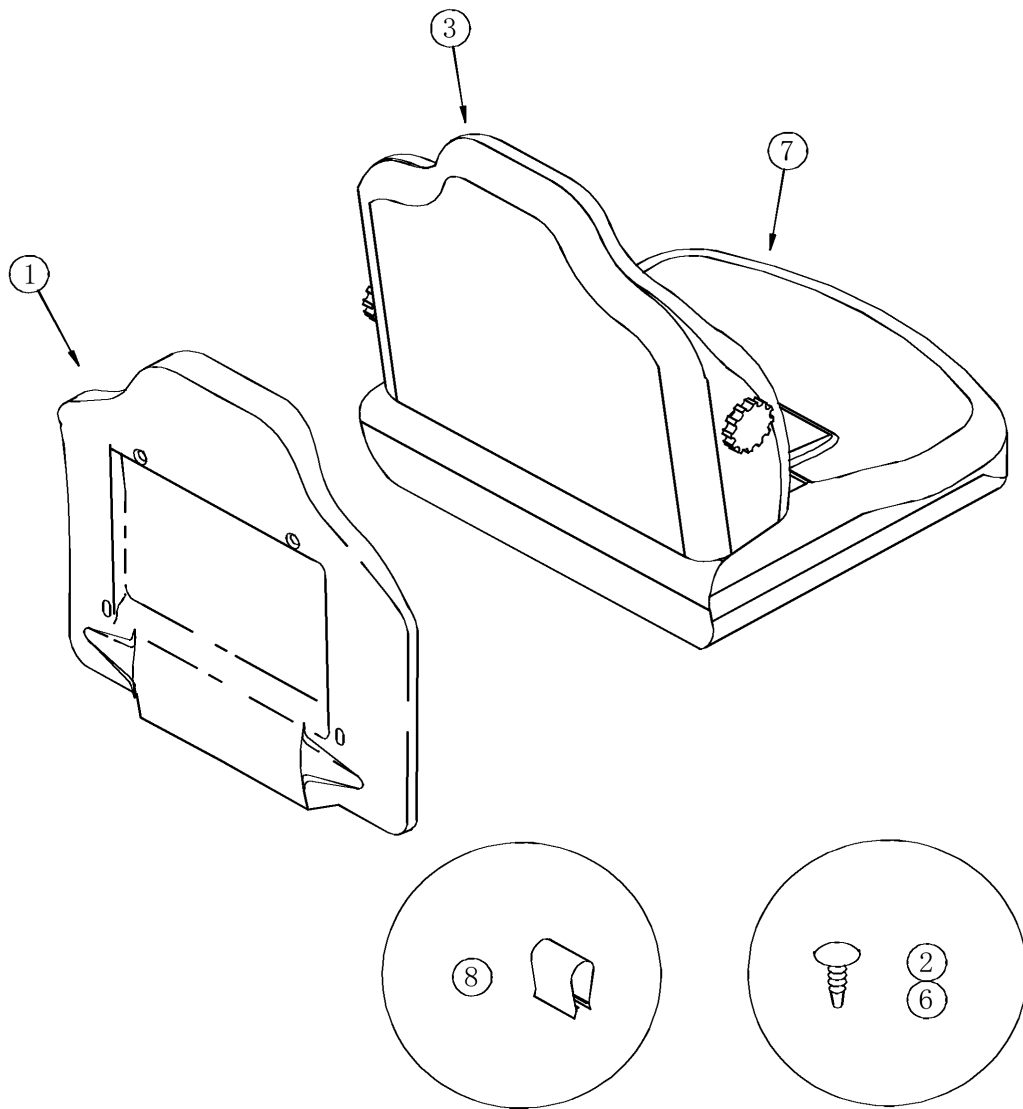
LINKAGE - LOADER AND GROUND DRIVE, SEAT BAR BRAKE



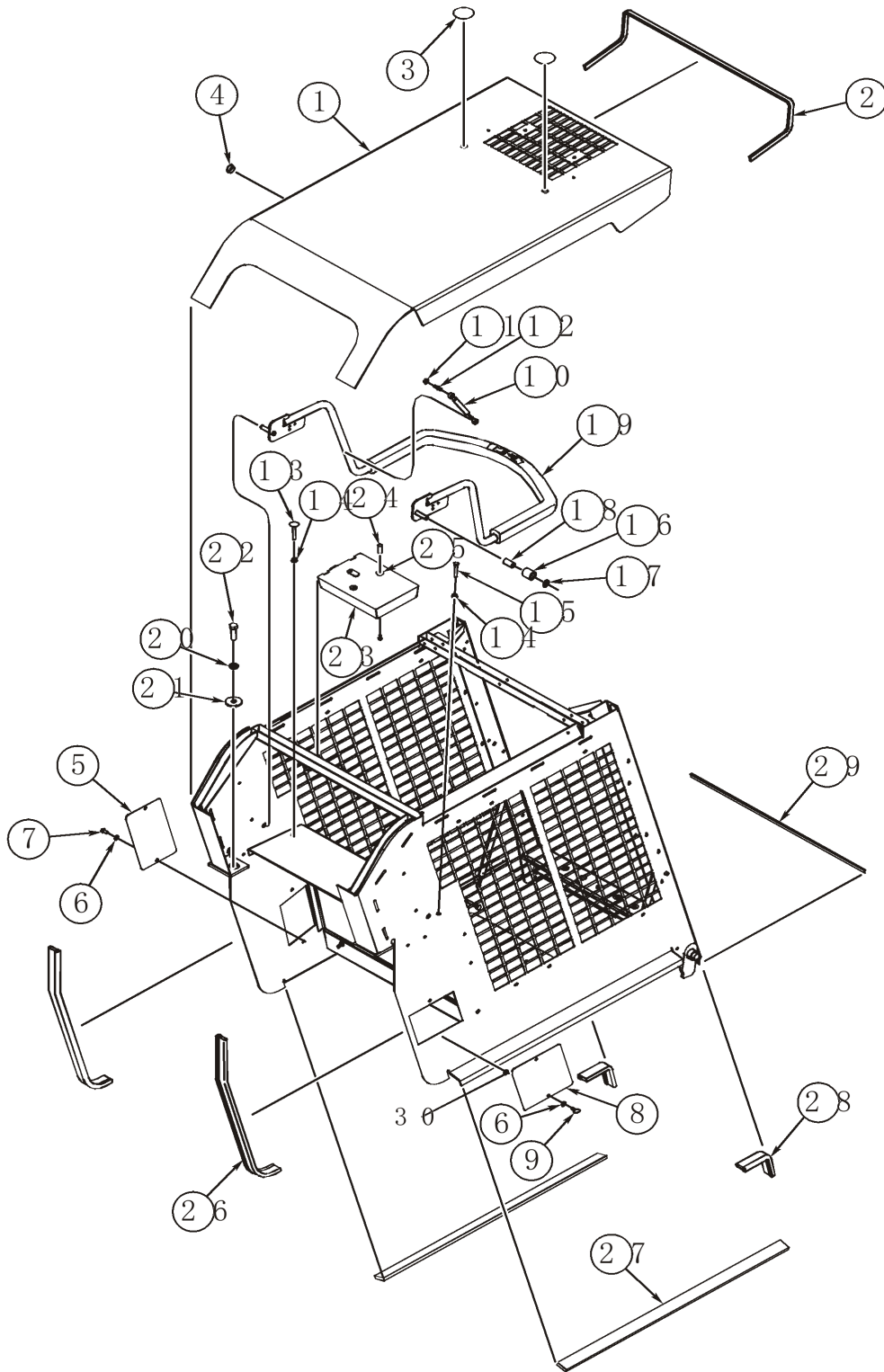
NOISE CONTROL, EUROPEAN MODELS



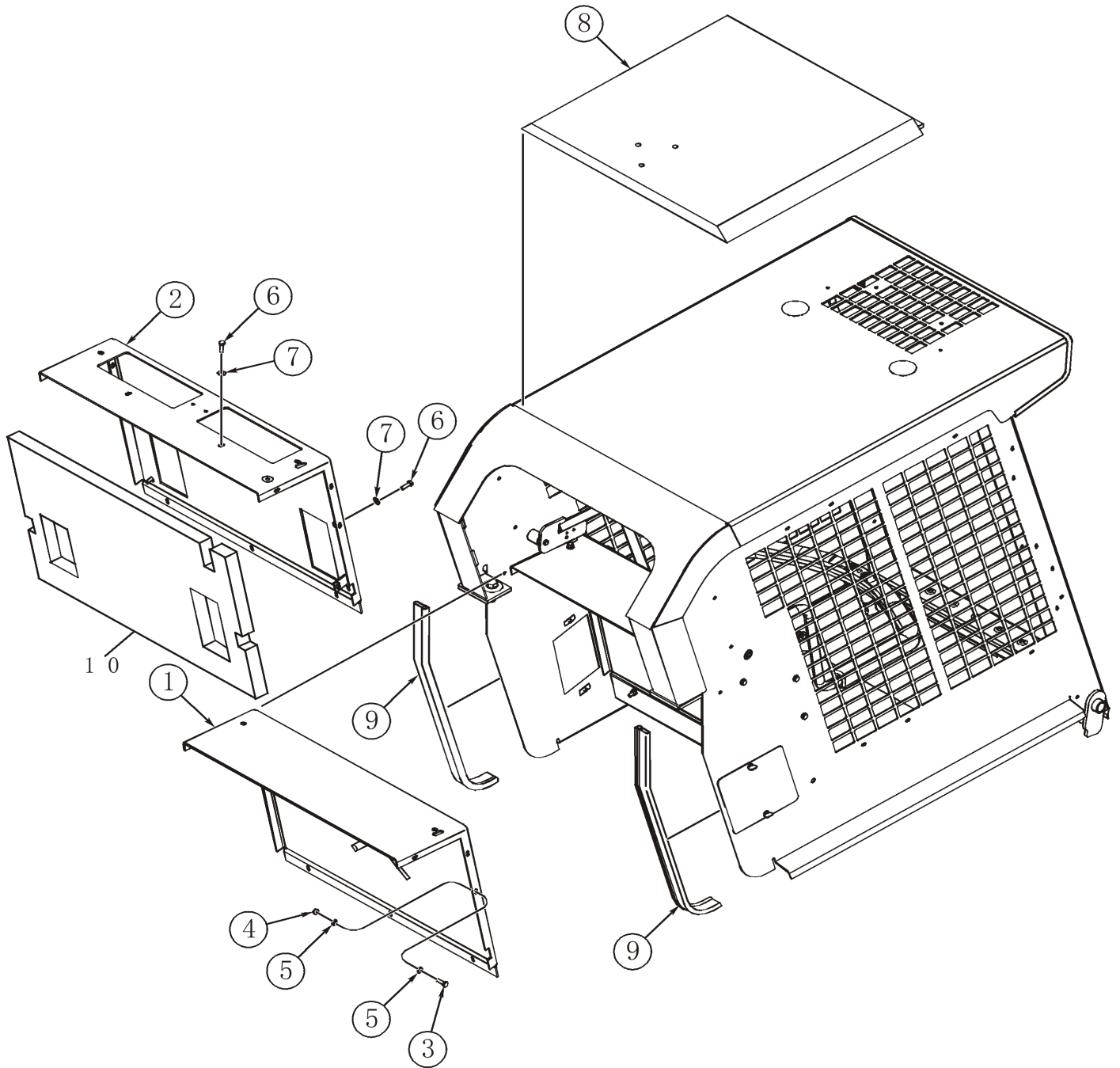
SEAT - SUSPENSION



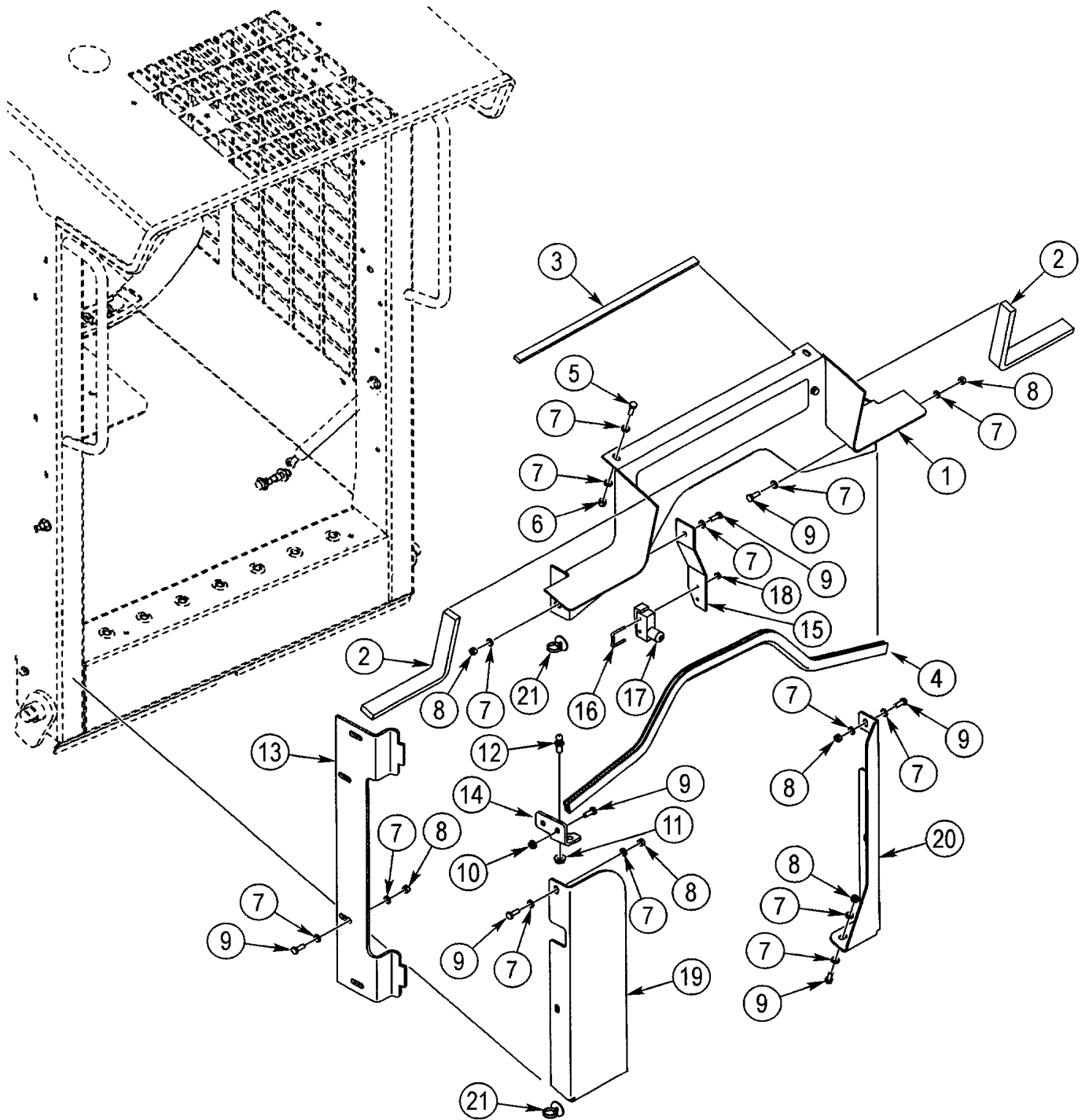
CANOPY, ROPS - FRAME AND SEAT BAR



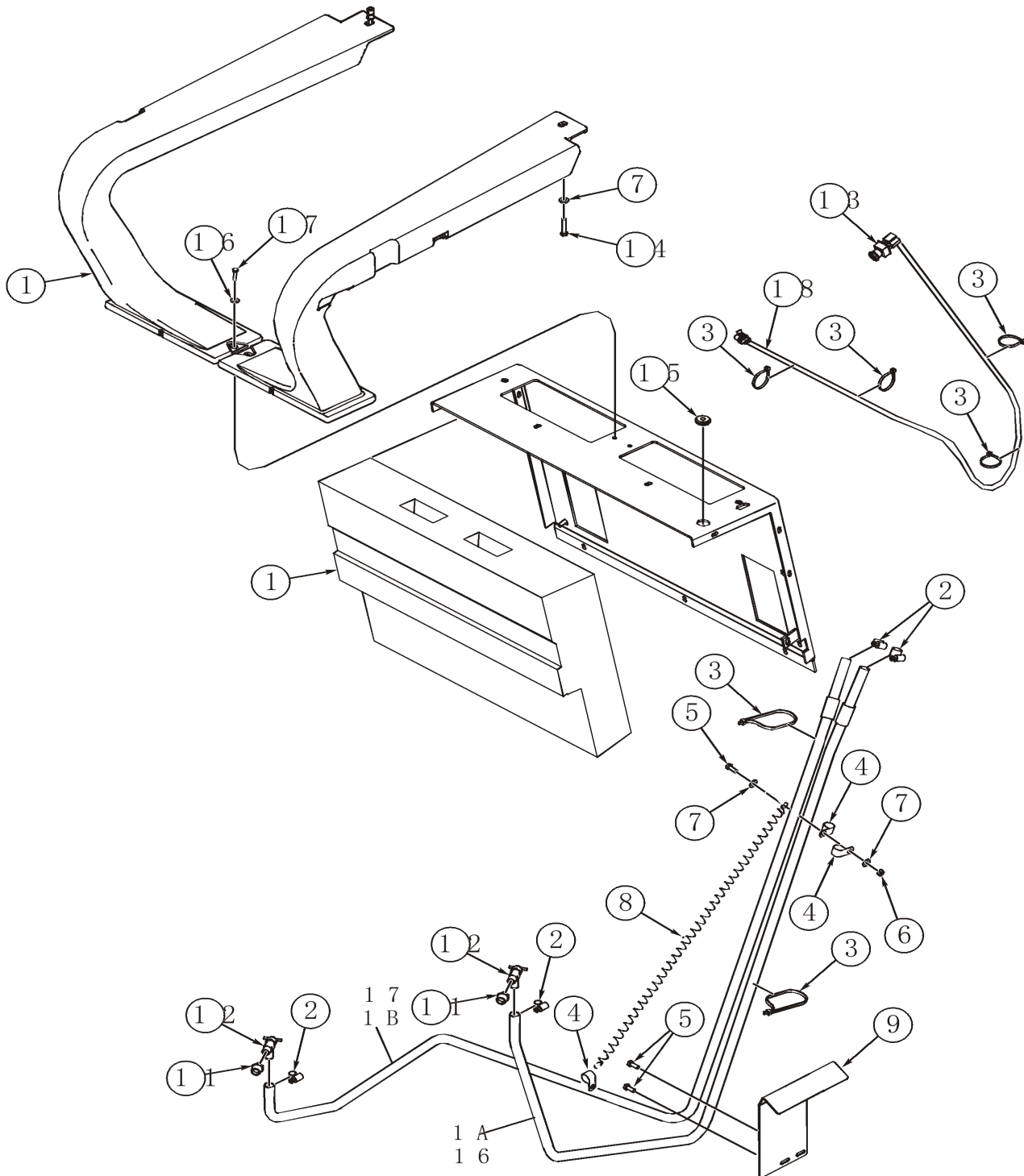
CANOPY, ROPS - HEADLINER AND HEAT SHIELD



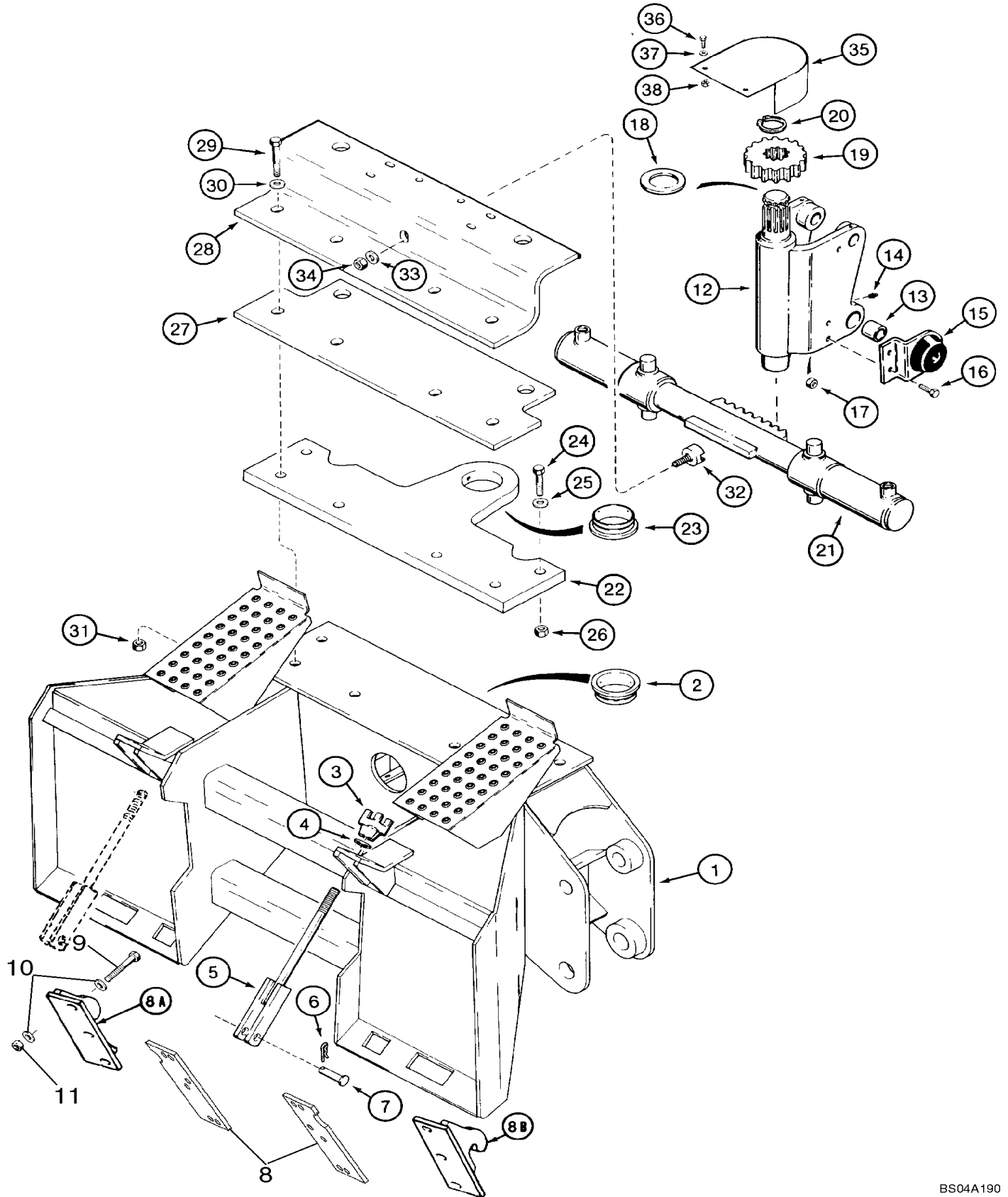
DOOR, FRONT - MOUNTING, FRAME



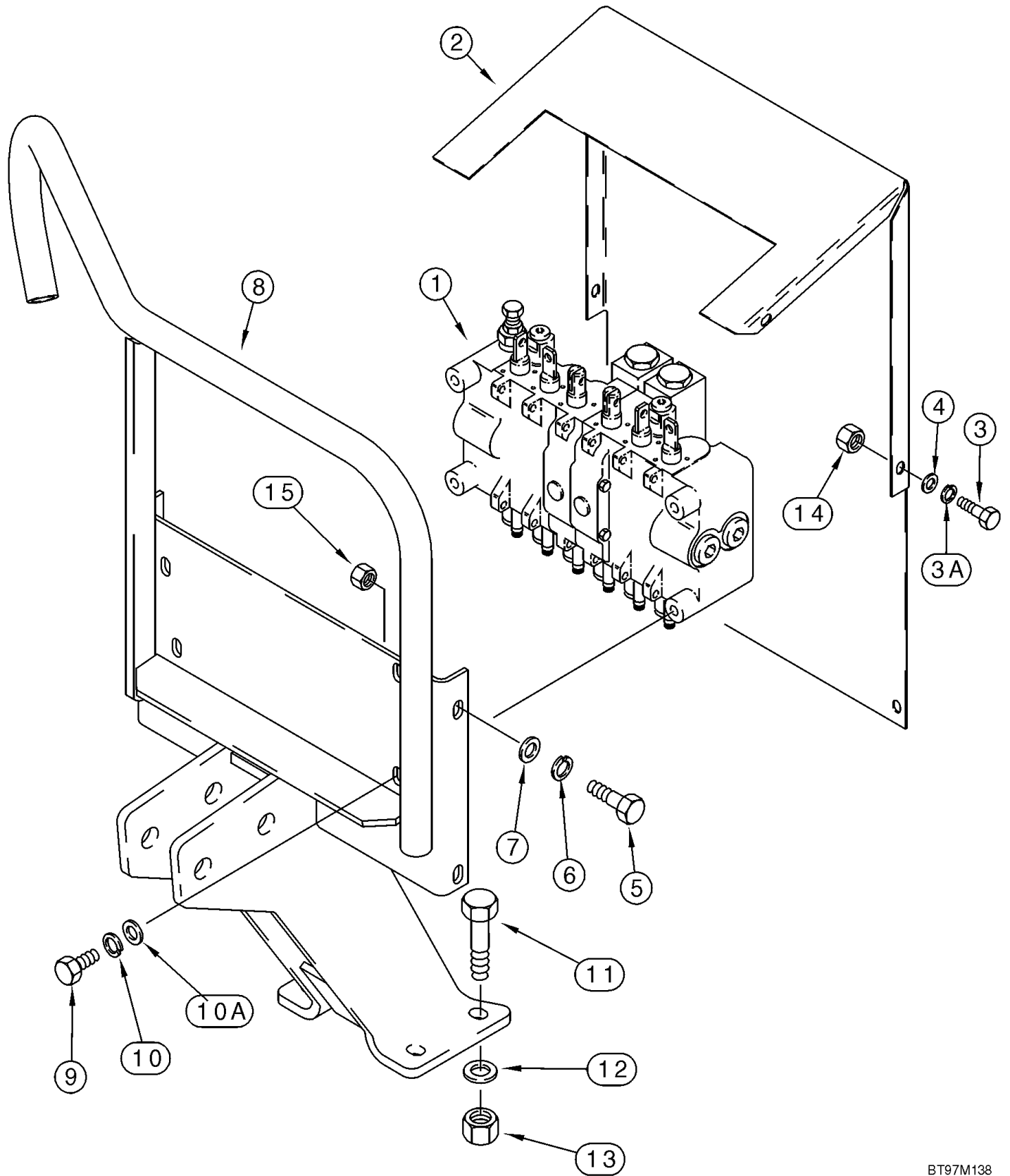
HEATING SYSTEM - HEATER, DELUXE



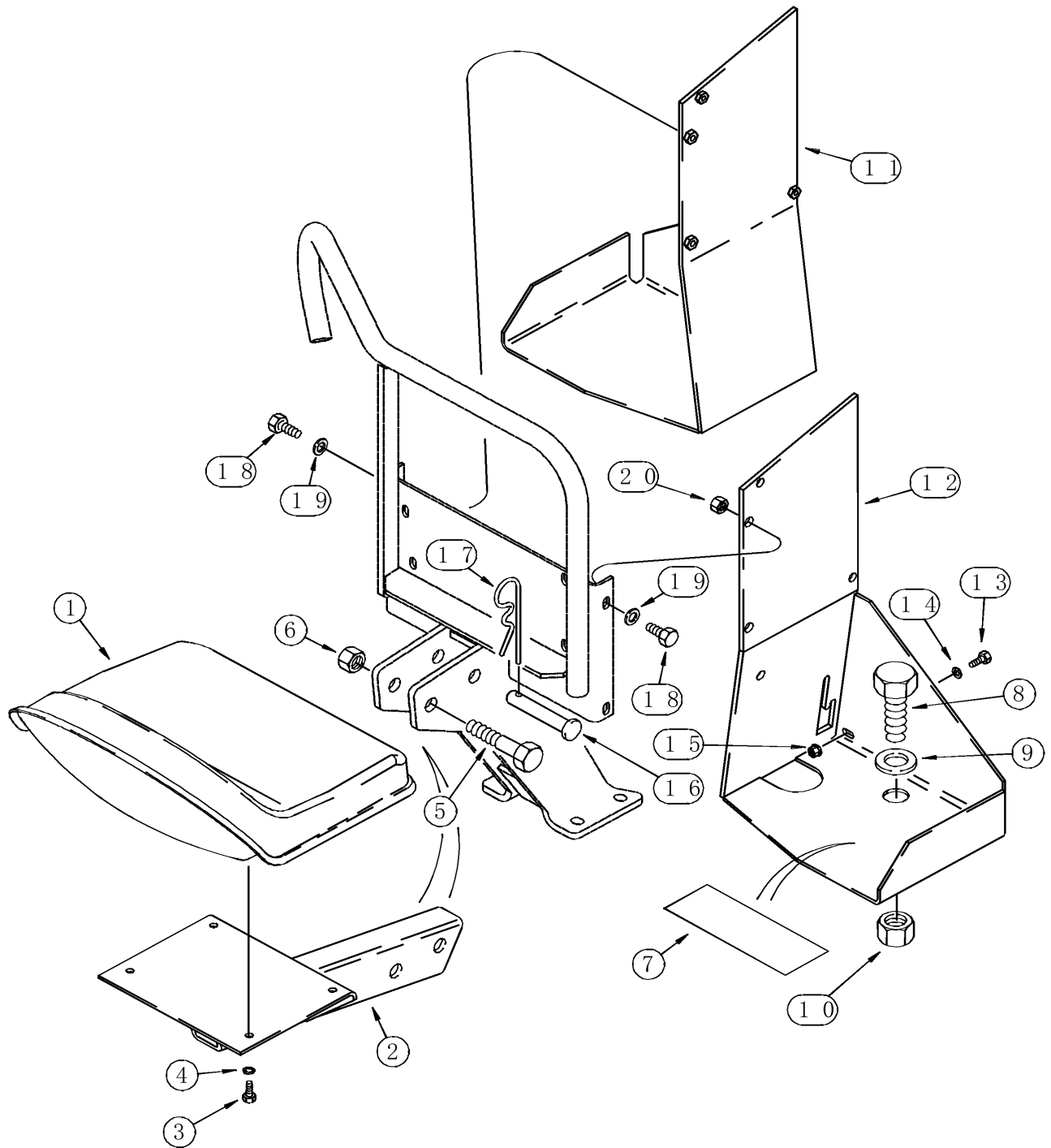
BACKHOE FRAME - SWING TOWER (D100)



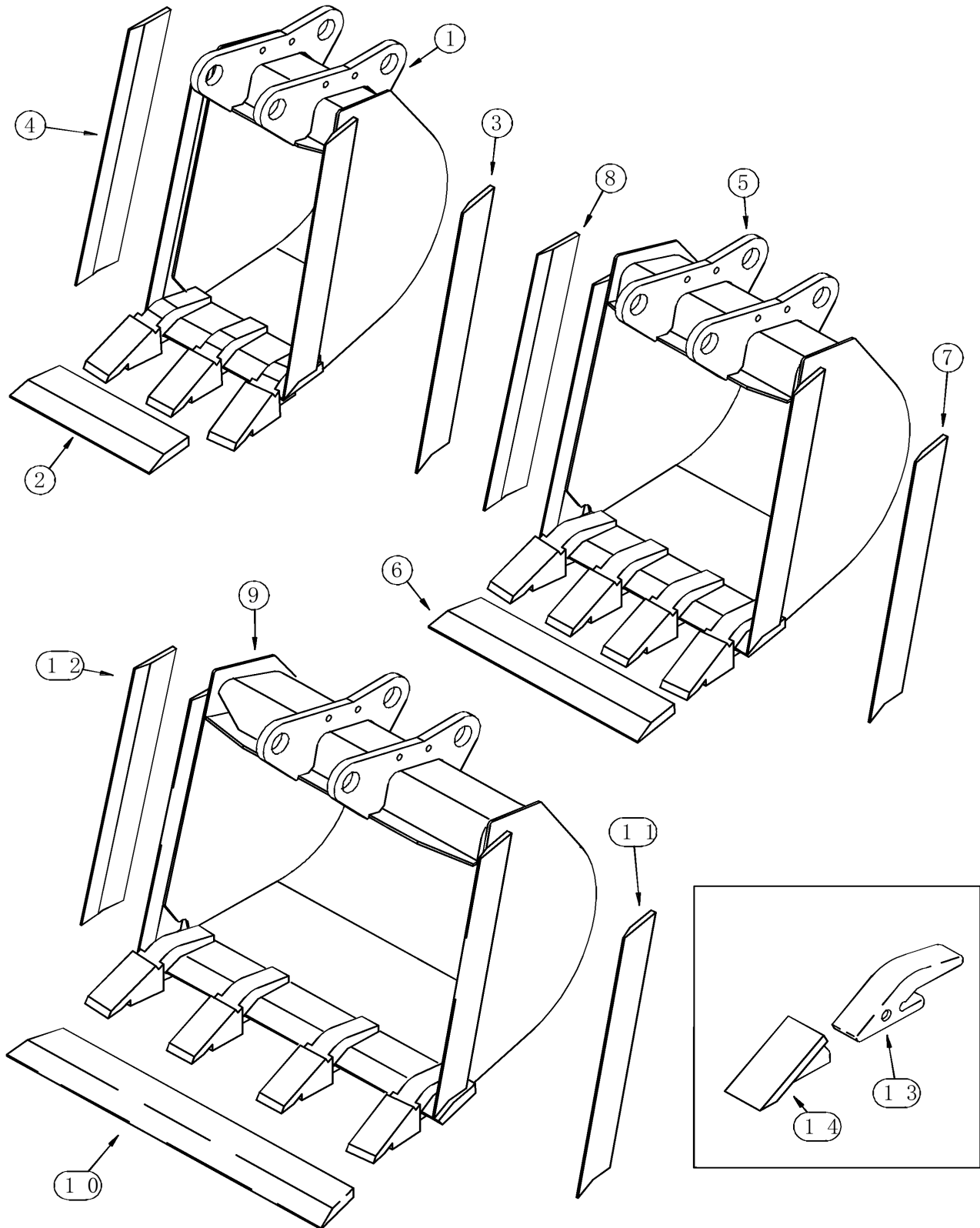
BACKHOE - CONTROL TOWER (NORTH AMERICA) D125



BACKHOE - SEAT AND FOOT SHIELDS (NORTH AMERICA) D125



BACKHOE - BUCKETS



09-60

p1

10/201
8

DECALS - ENGLISH

! DANGER

CRUSH HAZARD
Before leaving seat:

- Lower lift arm or engage lift arm lock.
- Stop engine.
- Raise seat bar.
- Move loader controls until locked.

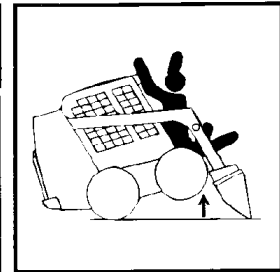
1



! DANGER

CRUSH HAZARD
Keep out of this area when lift arm is raised, unless lift arm is supported.

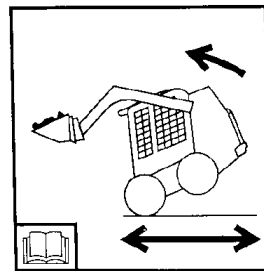
2



! CAUTION

ALWAYS INSPECT COUPLER-LATCH PIN ENGAGEMENT BEFORE OPERATING VEHICLE.

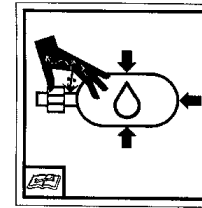
3



! WARNING

TIP HAZARD
Carry load low.

4



! WARNING

PRESSURIZED SYSTEM HAZARD
Relieve pressure before maintenance. Precharge only with dry inert gas such as high purity nitrogen.

5

! WARNING

- Read Operator's Manual.
- Fasten seat belt.
- No riders.
- Keep others away.

6

! DANGER

Starting in gear can cause death. Start engine only from operator seat with transmission control(s) in NEUTRAL.

7

! WARNING

ENTANGLEMENT HAZARD
Keep clear or stop engine before servicing.

8

DO NOT OPERATE

DO NOT REMOVE THIS TAG!

See Other Side

CASE CORPORATION

Signed by: _____

9

! WARNING

IF YOU SERVICE THE MACHINE WITH LOADER LIFT ARMS RAISED, ALWAYS USE THE SUPPORT STRUT. FAILURE TO FOLLOW THIS PROCEDURE CAN CAUSE SERIOUS INJURY OR DEATH IF THE LOADER LIFT ARMS ARE LOWERED BY ACCIDENT.

PROCEDURE TO USE THE SUPPORT STRUT:

1. MAKE SURE THE LOADER BUCKET IS EMPTY. LOWER THE LOADER LIFT ARMS TO THE GROUND AND STOP THE ENGINE.
2. REMOVE THE PIN FROM THE SUPPORT STRUT AND LOWER THE SUPPORT STRUT OVER THE LIFT CYLINDER.
3. START THE ENGINE AND SLOWLY RAISE THE LOADER LIFT ARMS UNTIL THE SUPPORT STRUT IS ON THE LIFT CYLINDER HOOD. SLOWLY LOWER THE LOADER LIFT ARMS UNTIL THE SUPPORT STRUT MAKES CONTACT WITH THE LIFT CYLINDER HOOD.
4. INSTALL THE PIN IN THE SUPPORT STRUT.

PROCEDURE TO PUT THE SUPPORT STRUT IN STORAGE:

1. START THE ENGINE AND RAISE THE LOADER LIFT ARMS APPROXIMATELY ONE OR TWO INCHES (25 TO 50mm).
2. STOP THE ENGINE AND RAISE BOTH SEAT BARS. MAKE SURE THE LOADER CONTROLS ARE LOCKED. REMOVE SUPPORT STRUT PIN, RAISE SUPPORT STRUT TO THE STORAGE POSITION AND INSTALL PIN.
3. SIT IN THE SEAT, PUSH BOTH SEAT BARS DOWN AND LOWER THE LOADER LIFT ARMS TO THE GROUND.

10



11



12

! WARNING

DO NOT TURN THE RIDE CONTROL OIL IF THE LOADER ARMS AND HOIST ARE HOISTED THE FRONT OF THE MACHINE OFF THE GROUND. THE MACHINE CAN DROP CAUSING SERIOUS INJURY OR DEATH.

13

! DANGER

DO NOT use other starting fluid. AN EXPLOSION MAY OCCUR. Failure to comply will result in death or serious injury.

14

DECALS - FRENCH, GERMAN, GREEK

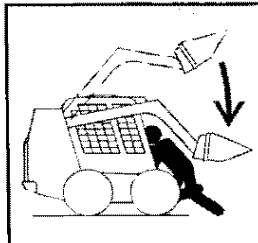
! DANGER



CRUSH HAZARD

- Before leaving seat:
- Lower lift arm or engage lift arm lock.
 - Stop engine.
 - Raise seat bar.
 - Move loader controls until locked.

1

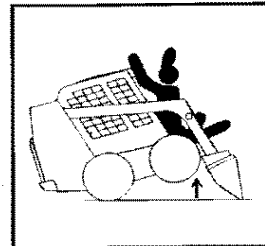


! DANGER

CRUSH HAZARD

Keep out of this area when lift arm is raised, unless lift arm is supported.

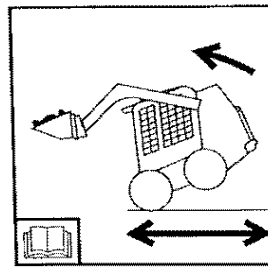
2



! CAUTION

ALWAYS INSPECT COUPLER-LATCH PIN ENGAGEMENT BEFORE OPERATING VEHICLE.

3



! WARNING

TIP HAZARD
Carry load low.

4

! WARNING

DO NOT TURN THE REEVE CONTROL OIL IF THE LOADER ARMS AND BUCKET ARE HOLDING THE FRONT OF THE MACHINE OFF THE GROUND. THE MACHINE CAN DROP CAUSING SERIOUS INJURY OR DEATH.

5

! WARNING

PRESSURE ACCUMULATOR IN LOADER HYDRAULIC SYSTEM

DISCHARGE HYDRAULIC PRESSURE PRIOR TO DISCONNECTING HYDRAULIC LINES. ESCAPING HYDRAULIC OIL UNDER PRESSURE COULD CAUSE INJURY.

- REFER TO THE SERVICE MANUAL. PRECHARGE ONLY WITH DRY INERT GAS SUCH AS HIGH PURITY NITROGEN.
- REFER TO THE SERVICE MANUAL. DISCHARGE ALL GAS PRESSURE PRIOR TO DISASSEMBLING THE ACCUMULATOR.

6

DO NOT REMOVE THIS TAG!

DO NOT OPERATE

See Other Side

CASE CORPORATION

Case Part Number 321-4914 Printed in U.S.A.

REASON: _____

 Signed by: _____

7

! DANGER

Pour mettre le moteur en marche par temps froid, ne pas utiliser d'éther.

L'inobservation de cette directive peut provoquer la mort ou des blessures graves.

8

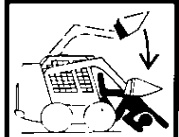
! DANGER

ETHER

9

DECALS - PORTUGUESE, SPANISH, SWEDISH

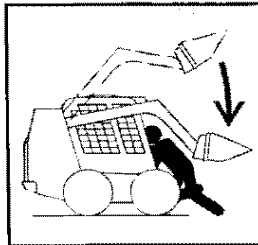
! DANGER



CRUSH HAZARD

Before leaving seat:
• Lower lift arm or engage lift arm lock.
• Stop engine.
• Raise seat bar.
• Move loader controls until locked.

1

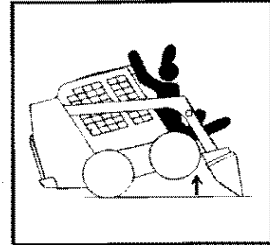


! DANGER

CRUSH HAZARD

Keep out of this area when lift arm is raised, unless lift arm is supported.

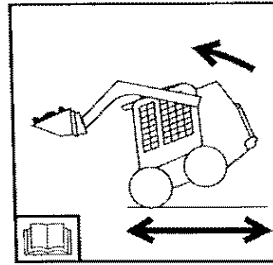
2



! CAUTION

ALWAYS INSPECT COUPLER-LATCH PIN ENGAGEMENT BEFORE OPERATING VEHICLE.

3



! WARNING

TIP HAZARD
Carry load low.

4

! WARNING
DO NOT TURN THE REEVE CONTROL OIL IF THE LOADER ARMS AND BUCKET ARE HOLDING THE FRONT OF THE MACHINE OFF THE GROUND. THE MACHINE CAN DROP CAUSING SERIOUS INJURY OR DEATH.

5

! WARNING
PRESSURE ACCUMULATOR IN LOADER HYDRAULIC SYSTEM
DISCHARGE HYDRAULIC PRESSURE PRIOR TO DISCONNECTING HYDRAULIC LINES. ESCAPING HYDRAULIC OIL UNDER PRESSURE COULD CAUSE INJURY.
• REFER TO THE SERVICE MANUAL. PRECHARGE ONLY WITH DRY INERT GAS SUCH AS HIGH PURITY NITROGEN.
• REFER TO THE SERVICE MANUAL. DISCHARGE ALL GAS PRESSURE PRIOR TO DISASSEMBLING THE ACCUMULATOR.

6

DO NOT REMOVE THIS TAG! **DO NOT OPERATE**

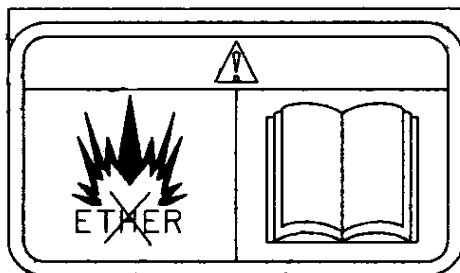
See Other Side

CASE CORPORATION

Reason: _____

Signed by: _____

7



8



9



10

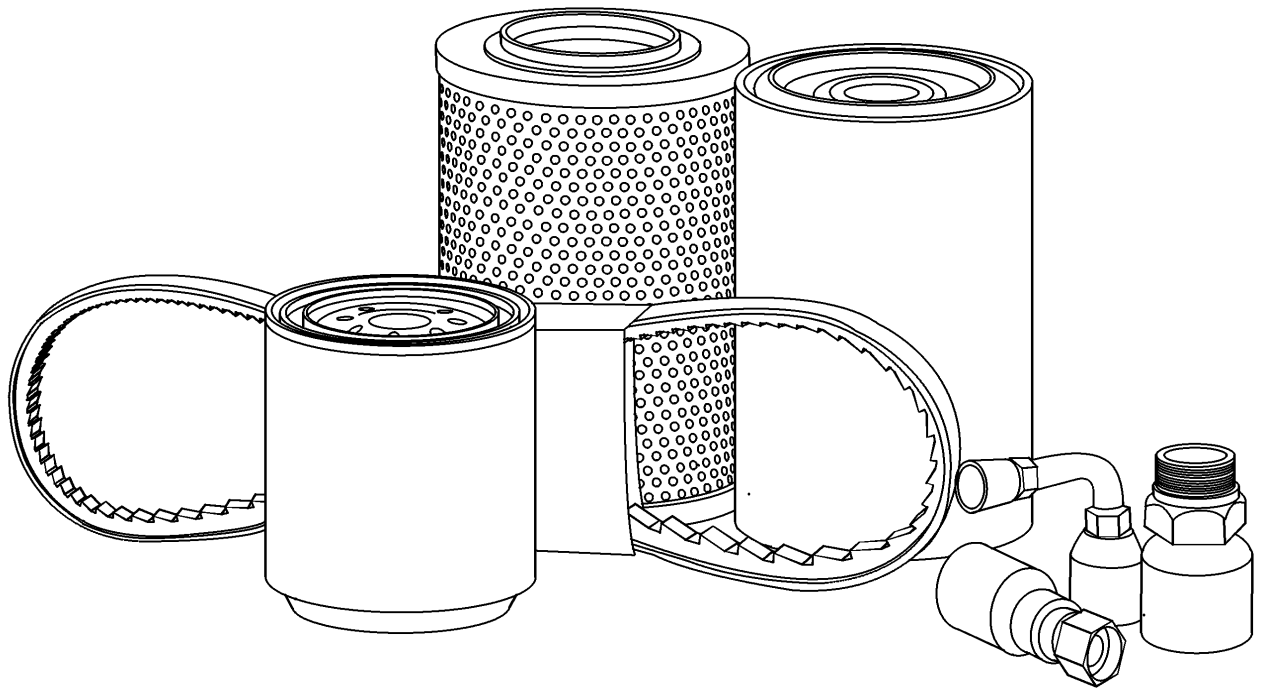
05.100.03

02

p1

10/201
8

CAPACITIES, 40XT

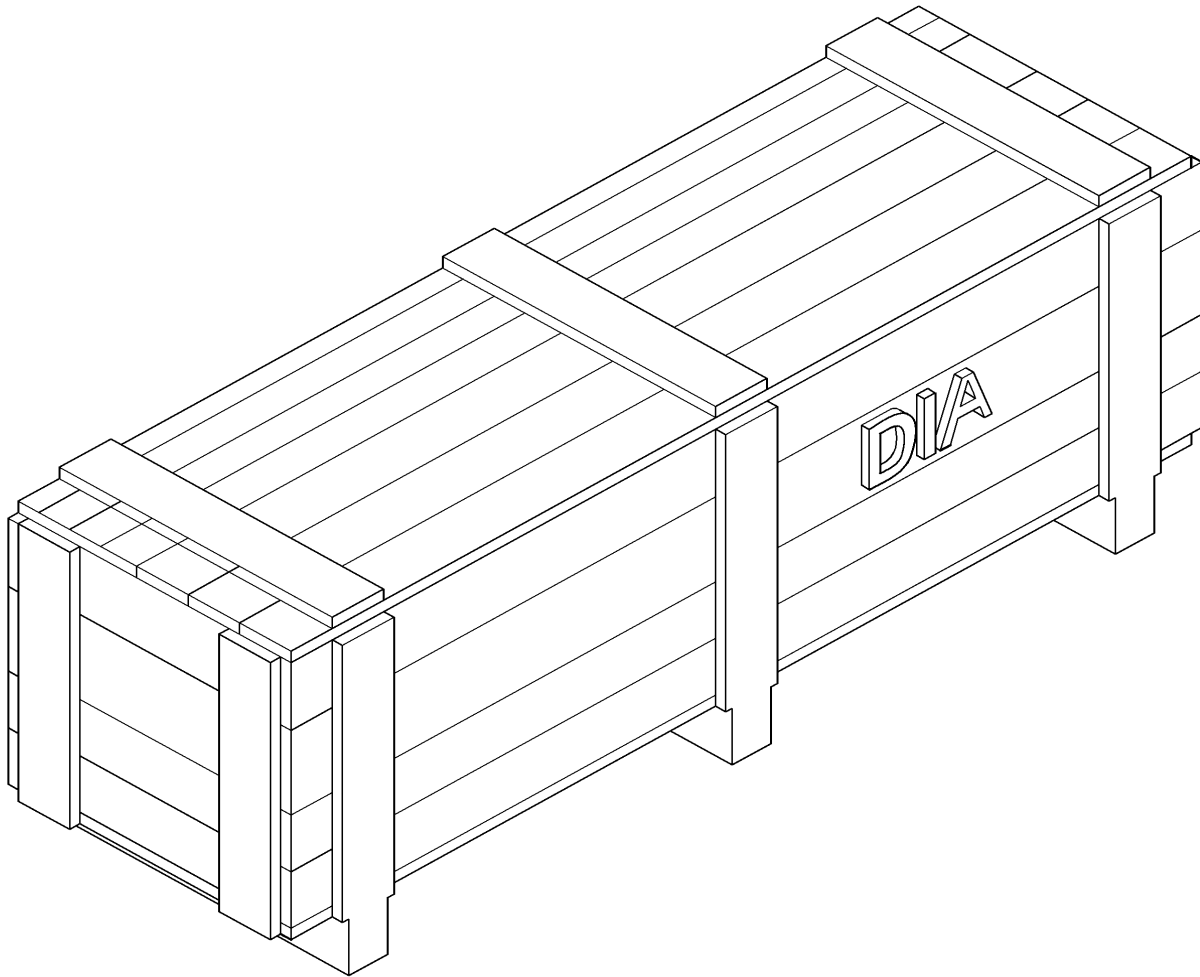


88.010.02

p2

10/201
8

DIA KIT, INSTALLATION HEATER, DELUXE



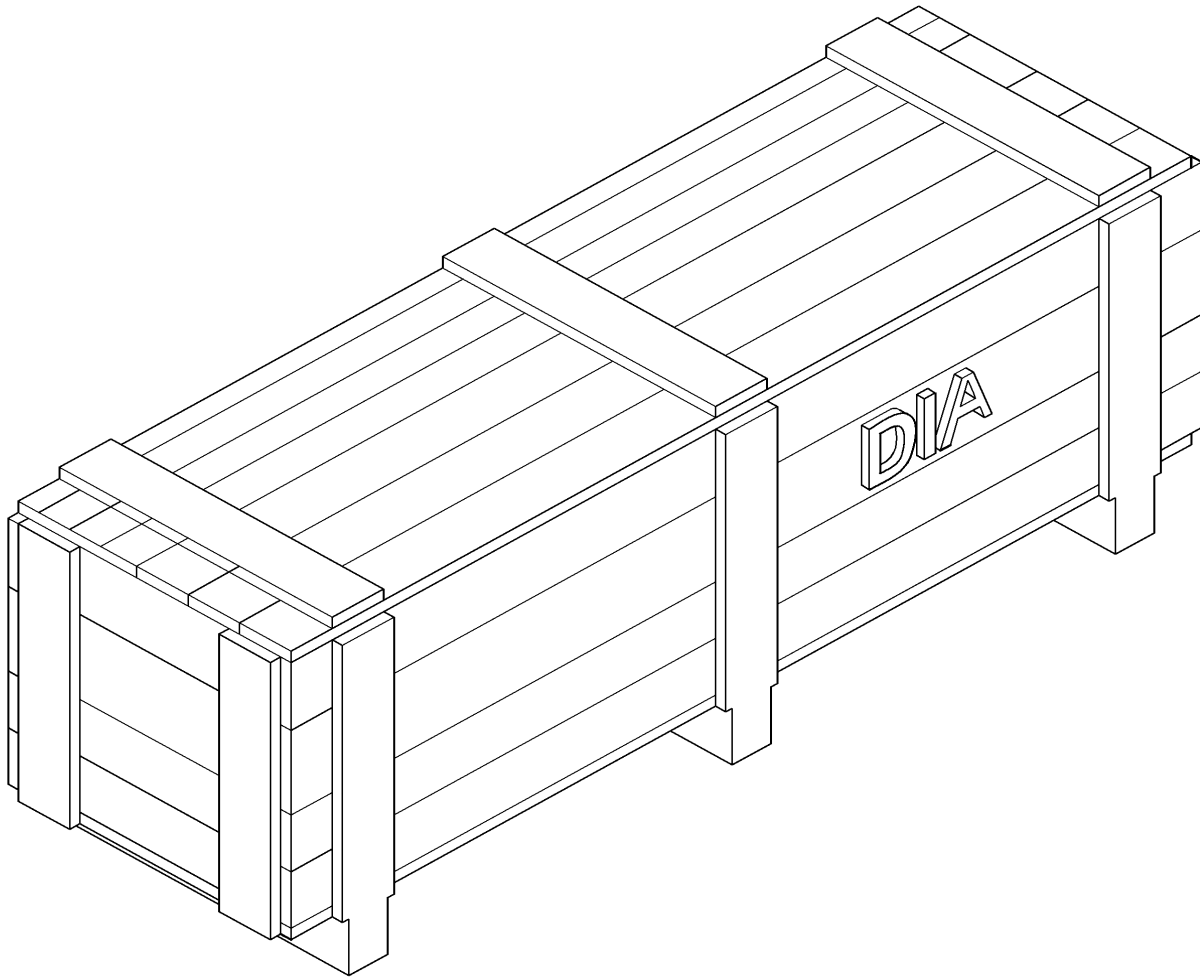
88.090.02

01

p1

10/201
8

DIA KIT, INSTALLATION DOOR, CAB ENCLOSURE (GLASS)



INDEX - INDICE - INDEX - ZAHLENVERZEICHNIS - INDICE - INDICE - INDHOLD - INHOUD

Number	Figure	Sequence	Ref.	Number	Figure	Sequence	Ref.
218-605	06-02		23	221-841	03-05		2
218-693	08-07		6	221-89	09-35		12
218-693	08-08		29	221425R1	04-02		26
218-695	08-23		5	221429A2	09-30		25
218-754	06-03		30	221592A1	04-04		2
218-754	07-02		7	221655A1	08-15		12
218-754	07-06		16	221655A1	08-15A		12
218-754	08-06		11	222-101	02-23		20
218-755	08-01		19	222-101	03-05		14
218-756	06-02		8	222-101	03-05		17
218-765	08-06		2	222-101	03-05		19
218-786	08-06		16	222-103	02-23		22
218-845	06-03		13	222-103	03-05		9
218-845	08-06		17	222-121	03-05		15
218-959	07-02		13	222-4	03-05		10
218-959	07-04		4	222-993	02-23		1
218-980	08-30		17	222-993	02-24		1
218-980	08-30		4	222004A2	04-07		22
218-980	08-41		17	222004A2	04-08		12
218-980	08-41		4	222004A2	04-27		1
219-1	08-47		19	222004A2	04-28		1
219-1	08-48		20	222425A1	02-04		1B
219-1	08-49		18	222425A1	05.100.01		2
219-1	09-03A		11	222425A1	05.100.03	01	2
219-1	09-04		11	222429A1	02-04		1C
219-1	09-04A		9	222429A1	05.100.01		3
219-1	09-51		6	222429A1	05.100.03	01	3
219-1	09-54		15	222490A2	09-28		1
219-1	09-54		20	222756A2	04-07		15
219-55	08-36		17	222756A2	06-02		33
219-8	09-41		14	222756A2	06-05		
219-8	09-43		9	222758A1	06-05		3
219-8	09-44		20	223677A1	06-10		23
219-8	09-50		41	223677A1	06-13		6
219-8	09-53		9	223677A1	06-16		23
219-86	09-01		6	223677A1	06-19		8
219-87	08-17		6	223680A1	06-10		24
219-87	09-03A		12	223680A1	06-13		7
219-87	09-04		13	223680A1	06-16		24
219-87	09-04A		11	223680A1	06-19		6
219-93	08-16		14	223836A1	04-26		9
220061A2	09-10		6	223837A1	04-11		6
221-1089	09-36		10	223837A1	04-19		
221-1089	88.010.01		10	223838A1	02-06		
221-1089	88.010.02		9	223838A1	04-26		8
221-194	07-06		18	224-2245	08-38		18

INDEX - INDICE - INDEX - ZAHLENVERZEICHNIS - INDICE - INDICE - INDHOLD - INHOUD

Number	Figure	Sequence Ref.	Number	Figure	Sequence Ref.
367582A1	09-14	15	373663A7	04-13	
367583A5	09-14	17	373664A5	04-08	1
367585A3	09-14	19	373664A5	04-10	5
367669A1	09-16	27	373664A5	04-13	
367689A1	09-16	13	373664A5	04-15	6
367851A1	06-23	7	373664A5	04-17	2
367851A1	06-24	7	373836A1	09-28	14
368505A1	07-01	3	374073A4	09-25	10
368972A1	09-16	14	374073A5	09-25	10
369030A7	09-01		374161A2	09-25	16
369728A1	09-26	7	374728A3	09-26	5
369957A1	04-23	1	374729A3	09-26	3
369957A1	04-24	1	374730A2	09-26	1
369959A2	04-23	2	374731A2	09-26	2
369985A2	06-23	12	375633A8	04-06	16
370165A2	07-01	7	375633A8	04-09	1
370531A1	06-09	14	375633A8	04-10	2
370531A1	06-12	14	375633A8	04-14	
370531A1	06-14	10	375633A8	04-18	5
370531A1	06-18	10	375634A4	04-08	3
371510A1	06-21		375634A4	04-09	13
371560A1	06-04	2	375634A4	04-10	1
371560A1	06-22		375634A4	04-14	
371637A3	06-23	10	375634A4	04-20	5
372075A2	09-13	12	375634A4	04-21	4
372075A2	88.035.01	31	375707A1	08-12	6
372117A4	09-20	1	375707A1	08-14	6
372117A4	09-29	8	375708A1	08-12	13
372194A2	04-09	3	375708A1	08-12	4
372194A2	08-19	5	375708A1	08-14	13
372194A2	08-20	5	375708A1	08-14	4
372194A2	08-22	1	375714A2	08-12	29
372194A2	08-25		375714A2	08-14	29
373223A3	08-02	6	376154A1	09-25	8
373225A3	08-02	9	376332A1	09-30	13
373240A5	08-02	3	376332A1	09-31	13
373241A3	08-02	2	376336A1	09-30	15
373246A1	09-57	5	376336A1	09-31	15
373247A2	09-57	4	376352A1	08-06	6
373248A2	09-57	14	376523A2	08-01	11
373306A1	09-17	14	376523A2	08-02	22
373331A1	04-34	1	376524A2	08-04	8
373546A1	04-35	3	376599A4	04-10	8
373563A2	06-26	2	376599A4	04-11	1
373663A7	04-06	1	376611A3	09-26	4
373663A7	04-07	1	376669A1	09-28	1

INDEX - INDICE - INDEX - ZAHLENVERZEICHNIS - INDICE - INDICE - INDHOLD - INHOUD

Number	Figure	Sequence	Ref.	Number	Figure	Sequence	Ref.
434014A1	09-65		1	436857A1	09-49		17
434015A1	09-65		1	436865A2	88.010.02		31
434016A1	09-65		1	436908A1	09-36		1B
434017A1	09-64		1	436909A1	09-36		1C
434018A1	09-61		1	436911A1	09-36		1D
434019A1	09-61		1	436912A1	09-36		1E
434020A1	09-61		1	436913A1	09-36		1F
434346A1	09-37		5	436914A1	09-36		1G
434521A1	03-01		9	436915A1	09-36		1H
434521A1	08-03		21	436916A1	09-36		1I
434636A2	06-06		4	436994A1	08-37		7A
434733A1	09-21		27	438306A1	09-34A		18
434734A1	02-03		2	438307A1	09-34A		9
434734A1	02-05		1	438308A1	09-34A		23
434778A1	03-03		30	438309A1	09-34A		24
434778A1	88.088.01		14	438312A1	09-34A		12
434781A1	09-35		17	438312A1	09-34A		20
434781A1	88.010.01		3	438313A1	09-34A		19
434784A1	09-35		1	438314A1	09-34A		13
434784A1	88.010.01		6	438315A1	09-34A		14
434787A1	09-01		1	438316A1	09-34A		8
434789A1	09-01			438317A1	09-34A		15
434790A1	09-25		1	438318A1	09-34A		16
434796A1	09-10			438319A1	09-34A		10
434796A3	09-10		1	438321A1	09-34A		2
434817A1	09-09			438322A1	09-34A		3
435075A1	09-58		9	438323A1	09-34A		17
435396A1	09-18		18	438325A1	09-34A		1
435565A1	09-14		7	438325A1	09-34A		4
435654A1	08-20		21	438326A1	09-34A		11
435992A1	08-21		11	438327A1	09-34A		5
436053A1	08-21		12	438328A1	09-34A		6
436415A1	06-09		19	438330A1	09-34A		7
436415A1	06-12		19	438415A1	04-21		5
436416A1	06-09		21	438416A1	06-21		10
436416A1	06-12		21	438416A1	06-21A		10
436416A1	06-14		27	438416A1	06-21B		
436416A1	06-18		32	438416A1	06-22A		9
436435A1	06-06		10	438417A1	06-21		5
436436A1	06-06		11	438417A1	06-21A		5
436520A1	09-35		18	438417A1	06-21B		
436520A1	88.010.01		4	438417A1	06-22A		10
436522A1	09-35		19	438418A1	06-21		13
436522A1	88.010.01		29	438418A1	06-21A		13
436749A1	08-12			438418A1	06-22		10
436749A1	08-14			438419A1	06-21		19

INDEX - INDICE - INDEX - ZAHLENVERZEICHNIS - INDICE - INDICE - INDHOLD - INHOUD

Number	Figure	Sequence Ref.	Number	Figure	Sequence Ref.
87400034	08-38	1	87413428	03-06	29
87400034	08-39	1	87413478	06-02	
87400034	08-40	1	87413478	06-07	
87400034	08-41	1	87413478	06-20	
87400034	08-41	14	87413626	04-22	12
87400034	08-42	1	87413736	06-02	45
87400034	08-43		87413925	09-12	2
87400034	08-44		87414	08-16B	6
87400034	08-45		87414	08-17B	6
87400034	09-48	1	87414	09-03	12
87403128	06-05	16	87415913	02-06	6
87403209	02-19	9	87415913	02-23	21
87404692	02-20	13	87415913	02-24	21
87405117	09-23	1	87415913	03-05	7
87406812	06-02	5	87415913	03-06	11
87406812	06-07	2	87416017	03-05	1
87406812	06-20		87416027	02-11	12
87407090	02-16		87417069	02-19	8
87407091	02-16		87417070	02-19	8
87407092	06-05		87417308	08-04	20
87407834	06-03	9A	87417308	08-23	9
87407874	08-33		87417547	04-31	4A
87407874	08-43		87418011	09-25	
87407874	08-45		87421315	02-09	22
87407875	08-34		87422158	08-20	21
87407875	08-43		87424684	08-05	9
87407876	08-33		87424685	08-05	10
87407876	08-34		87425525	02-19	11
87407876	08-45		87425526	02-19	11
87409160	02-17	9	87425527	02-19	11
87410550	08-01	25	87425528	02-19	11
87411142	06-02	41	87425529	02-19	11
87411493	08-15	26	87426103	09-09A	1
87412041	09-03	8	87426762	08-04	20A
87412041	09-03A	8	87426762	08-23	
87412536	09-34A		87427899	08-11	
87412539	09-34A		87427899	08-12	
87413030	09-03	9	87427902	08-12	
87413030	09-03A	9	87427902	08-14	
87413030	09-04	14	87427904	08-12	
87413030	09-04A	2	87427904	08-14	
87413279	02-19	8	87428288	02-08	6
87413283	02-19	10	87428444	08-05	8
87413428	02-21	20	87428444	88.035.01	13
87413428	02-22	15	87429888	08-12	15
87413428	02-23	17	87429888	08-14	15

INDEX - INDICE - INDEX - ZAHLENVERZEICHNIS - INDICE - INDICE - INDHOLD - INHOUD

Number	Figure	Sequence Ref.	Number	Figure	Sequence Ref.
H52654	08-51	1	H674111	09-51	2
H52662	08-51	4	H674112	09-51	13
H52670	08-51	8	H674113	09-54	12
H52688	08-51	5	H674115	09-55	
H52696	08-51	11	H674116	09-55	
H52704	08-51		H674117	09-55	
H53017	08-35	2	H674119	09-54	3
H53025	08-35		H674124	09-50	11
H53025	08-46		H674128	09-50	14
H53033	08-35		H674133	09-48	8
H53033	08-46		H674300	08-26	1
H56184	09-42	19	H674300	08-27	1
H56184	09-44	16	H674300	08-28	1
H56184	09-45	3	H674300	08-29	1
H56184	09-46	13	H674300	08-30	1
H56184	09-46	3	H674300	08-30	14
H56184	09-46	8	H674300	08-31	1
H56192	09-41	13	H674300	08-32	
H56192	09-44	15	H674300	08-33	
H56945	09-42	6	H674300	08-34	
H56952	09-42	15	H674300	09-39	1
H593376	08-29	8	H674419	08-31	7
H593384	08-29	12	H674420	08-31	8
H593392	08-27	8	H674465	06-02	29
H60616	09-42	17	H674465	08-04	1
H61069	08-29	27	H674465	08-15	
H61283	09-45	4	H674465	09-17	1
H61424	09-45	6	H674500	08-37	1
H61432	09-45	6	H674500	08-38	1
H625756	09-41	15	H674500	08-39	1
H625756	09-42	3	H674500	08-40	1
H672429	09-55		H674500	08-41	1
H672641	09-41		H674500	08-41	14
H672641	09-42	1	H674500	08-42	1
H672647	09-41	35	H674500	08-43	
H672652	09-41	22	H674500	08-44	
H673473	09-52	2	H674500	08-45	
H673572	08-15		H674500	09-48	1
H673647	09-41		H674528	08-34	
H673773	06-09		H674528	08-43	
H673773	06-12		H674530	08-33	
H673773	06-14		H674530	08-45	
H673773	06-18		H674533	08-33	
H673837	08-50		H674533	08-34	
H674107	09-51		H674534	08-33	
H674110	09-50	19	H674535	08-33	

CLICK HERE TO **DOWNLOAD** THE COMPLETE MANUAL

- Thank you very much for reading the preview of the manual.
- You can download the complete manual from: www.heydownloads.com by clicking the link below



- Please note: If there is no response to CLICKING the link, please download this PDF first and then click on it.

CLICK HERE TO **DOWNLOAD** THE COMPLETE MANUAL