

Quality Parts

VR

Valid for machine number..... 411752AA -

Only valid for machine number.....

--	--	--	--	--	--	--	--

Ordering number 181418

Date 2001-04-09

Language..... GB SE DE FR / ITS / ESIF

CLICK HERE TO **DOWNLOAD** THE COMPLETE MANUAL

- Thank you very much for reading the preview of the manual.
- You can download the complete manual from: www.heydownloads.com by clicking the link below



- Please note: If there is no response to CLICKING the link, please download this PDF first and then click on it.

CLICK HERE TO **DOWNLOAD** THE COMPLETE MANUAL

5710-055	Drive/multi-function PCBs Elektronikkort åkning/kombination; Elektronikkarten Fahren/kombination; Cartes électroniques déplacement/combinaison	
5720-001	Work function PCBs Elektronikkort arbetsfunktion; Elektronikkarten Arbeitsfunktion; Cartes électroniques fonction de travail	
5790-012	Safely electronics harnesses, fuse Skyddselektronikkablage/-säkring; Verkabelung, Sicherung Schutzelektronik; Faisceaux/câbles de commande, fusible, électronique de protection	
5820-014	Lift/lowering/reach movment probes/sensors Lyft-/sänk-/skjutrörelse-givare/-sensor; Hub-/Senk-/Schubgeber/-sensor; Capteurs de levage/descente/rétraction	Height limit
5830-024	Safety probes/ sensors Säkerhets-givare/-sensorer; Sicherheitsgeber/-sensor; Capteurs de sécurité	
5830-027	Safety probes/ sensors Säkerhets-givare/-sensorer; Sicherheitsgeber/-sensor; Capteurs de sécurité	Left foot switch
5830-028	Safety probes/ sensors Säkerhets-givare/-sensorer; Sicherheitsgeber/-sensor; Capteurs de sécurité	Seat
5830-036	Safety probes/ sensors Säkerhets-givare/-sensorer; Sicherheitsgeber/-sensor; Capteurs de sécurité	
5840-009	Aisle probes/sensors Gångindikeringsgivare/-sensor; "Im Gang"-geber/-sensor; Capteurs d'indication "en allée"	
6000	Hydraulic/pneumatic system Hydraulik/pneumatik; Hydraulikanlage/Pneumatik; Système hydraulique/pneumatique	
6100-081	Hydraulic unit Hydraulaggregat; Hydraulikaggregat; Unité hydraulique	
6110-017	Hydraulic tank Hydraultank; Hydrauliktank; Réservoir hydraulique	
6120-153	Hydraulic tank lines Tankhydraulledning; Hydrauliktankleitungen; Tuyaux réservoir hydraulique	
6130-016	Filters and housing Filter, filterhus; Filter, Gehäuse; Filtres, logement de filtre	Chassis
6130-017	Filters and housing Filter, filterhus; Filter, Gehäuse; Filtres, logement de filtre	
6140-021	Hydraulic pump Hydraulpump; Hydraulikpumpe; Pompe hydraulique	
6210-022	Main valve unit lift/reach/tilt Huvudventil lyft/utskjut./tilt; Hauptventil Hub/Schub/Neigung; Soupape principale levage/rétraction/inclinaison	
6230-029	Hydraulic lines chassis Chassimonterade hydraulledning; Hydraulikleitungen Chassis; Circuits hydrauliques châssis	
6310-005	Mast valve units Stativmonterade ventilenheter; Ventile Hubeinrichtung; Soupapes mât	Turret head/three-way fork unit

0390-087 Battery compartment parts

[2000-06-06]

Batteriutrymmesdelar; Batterieraumteile; Pièce de compartiment batterie

		487 VR		362913 -	
Pos	Description	Pcs	Part No	Note	
11	Rubber sealing strip Gummiprofil; Gummiblock; Pavé de caoutchouc	1	117157-001	Meter Meter; Meter; Metre	
12	Support Stöd; Stütze; Appui	2	163549		
13	Washer Bricka; Scheibe; Rondelle	8	20404		
14	Screw Skruv; Schraube; Vis	8	20365		
15	Roller(Complete) Rulle(Komplett); Rolle(Komplett); Roleau(Complect)	6	159287		
16	Roller Rulle; Rolle; Roleau	6	159288		
17	Axle Axel; Achse; Axe	6	159289		
18	Ball bearing Kullager; Kugellager; Roulement a billes	12	28420		
19	Locking ring Spårring; Schliessring; Circlip	12	20004		
20	Guide Styrning; Steuerung; Guidage	1	176783		
21	Bracket Fäste; Halterung; Support	1	176785	W = 355 mm	
22	Bracket Fäste; Halterung; Support	1	176784	W = 427 mm	
23	Bracket Fäste; Halterung; Support	1	176784	W = 355 mm	
24	Bracket Fäste; Halterung; Support	1	176785	W = 427 mm	
25	Screw Skruv; Schraube; Vis	4	20358		
26	Washer Bricka; Scheibe; Rondelle	4	20404		
27	Nut Mutter; Mutter; Ecrou	4	20081		

0850-110 Signs, warnings, decals

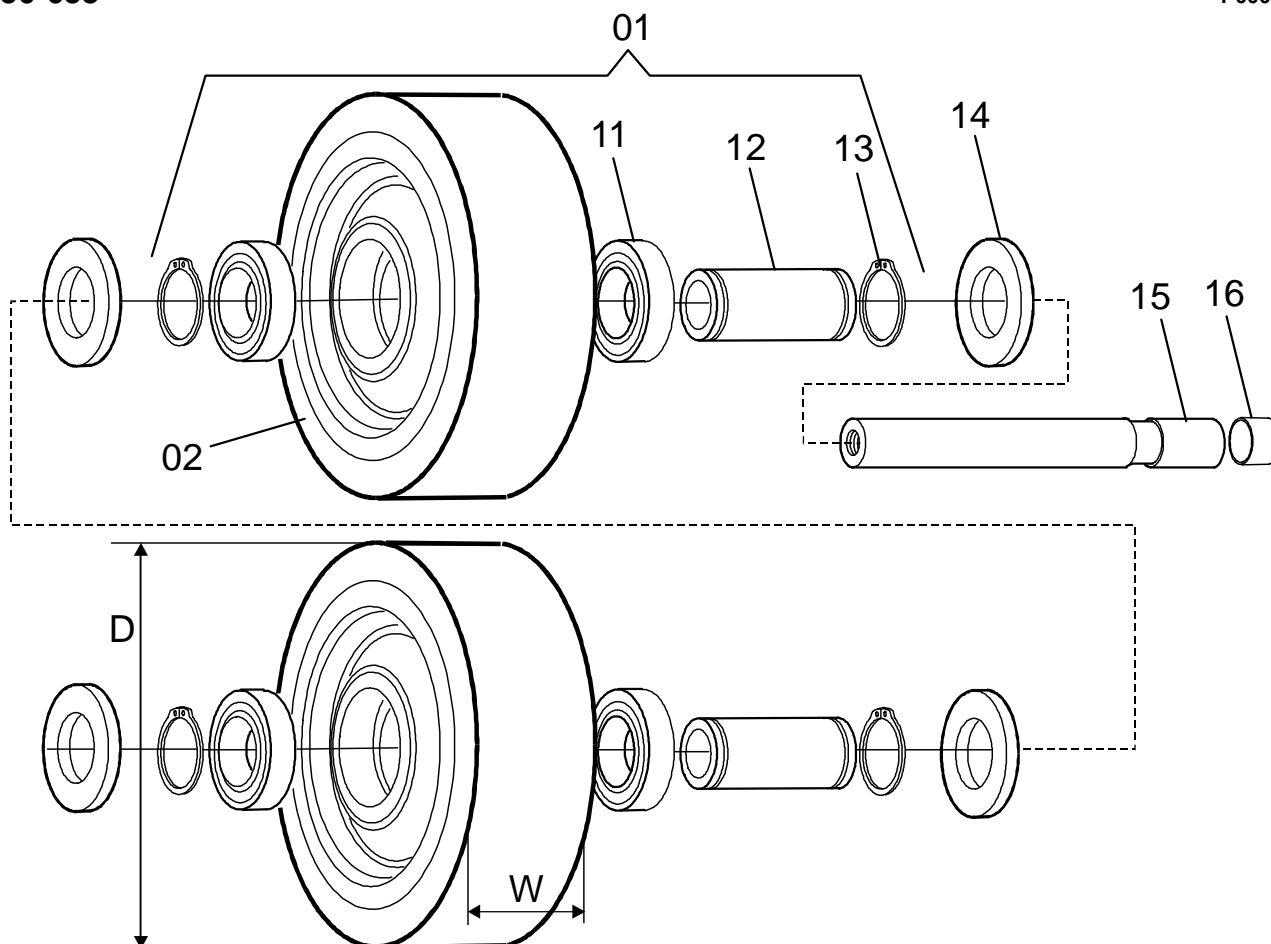
[1999-11-08]

Skyltar, varningar, dekaler; Schilder, Warnzeichen, Aufkleber; Vignettes, avertissements, autocollants

		487 VR		334965 -	
Pos	Description	Pcs	Part No	Note	
11	Sign Skylt; Schild; Vignette	1	147126		
12	Sign Skylt; Schild; Vignette	1	171647		
13	Sign Skylt; Schild; Vignette	1	171649		
14	Sign Skylt; Schild; Vignette	1	171648	Fork positioner Gaffelspridning; Zinkenverstell, gabel; Fourche, régler latéral	
15	Sign Skylt; Schild; Vignette	1	165610		
16	Sign Skylt; Schild; Vignette	1	72082		
17	Sign Skylt; Schild; Vignette	4	168719		
18	Sign Skylt; Schild; Vignette	1	156687		
19	Sign Skylt; Schild; Vignette	1	171646		
20	Sign Skylt; Schild; Vignette	2	147316		
21	Sign Skylt; Schild; Vignette	1	151843		
22	Sign Skylt; Schild; Vignette	2	163737		
23	Sign Skylt; Schild; Vignette	1	124363-022		

3550-053

P0009400

**3550-053 Fork/support arm wheels**

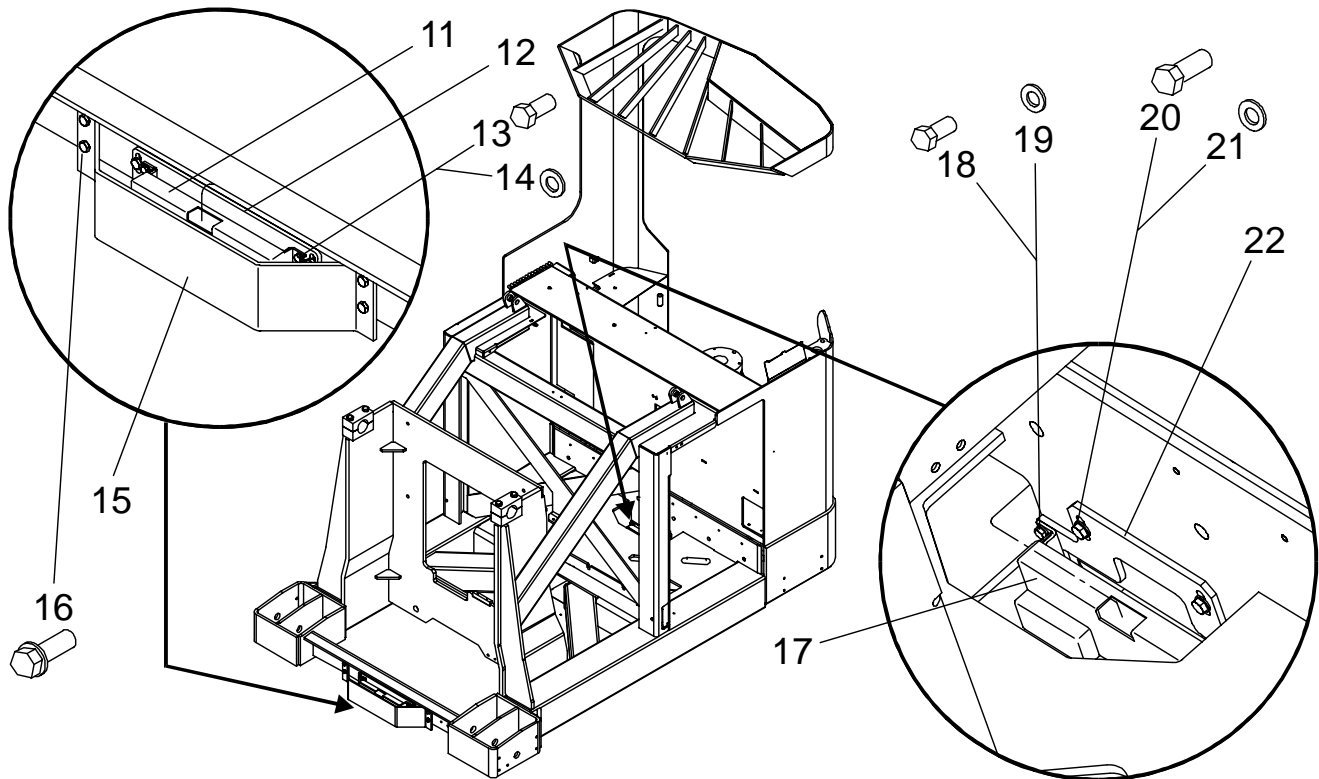
[2000-05-29]

Gaffel-/stödbenshjul; Gabel-/Stützarmrollen; Roues bras-support

Pos	Description	Pcs	Part No	Note
Support arm wheel without brake; Stödbenshjul utan broms; Spreizenrad ohne Bremse; Roue de longeron, sans frein			487 VR	334965 -
01	Wheel complete Hjul komplett; Rad komplett; Roue complete	4	102536	D = 230, W = 85 mm
02	Wheel Hjul; Rad; Roue	4	102535	D = 230, W = 85 mm
11	Ball bearing Kullager; Kugellager; Roulement a billes	8	21567	
12	Sleeve Hylsa; Hülse; Douille	4	50375	
13	Locking ring Spärring; Schliessring; Circlip	8	20287	
14	Ring Ring; Ring; Bague	8	100232	
15	Axle Axel; Achse; Axe	2	134353	Cold stores Fryshus; Gefrieranlage; Chambre frigorifique
15	Axle Axel; Achse; Axe	2	168450	
16	Ring Ring; Ring; Bague	2	21566	

4540-002

P0011336

**4540-002 Auto guidance antennas**

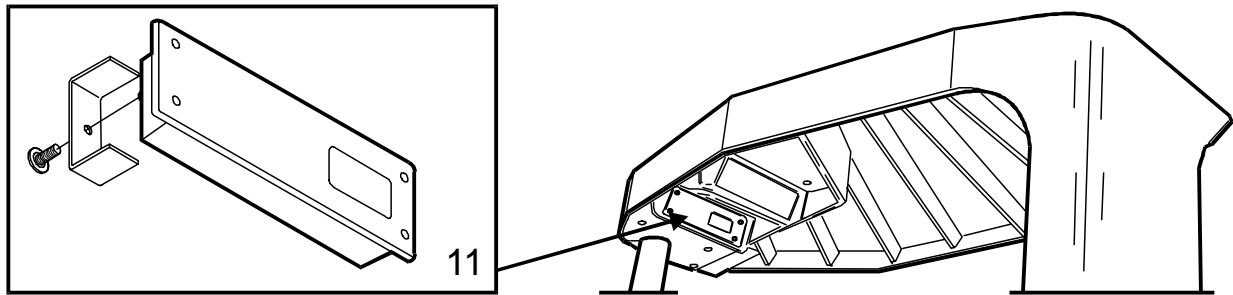
[1999-11-09]

Autostyrningsantenner; Auto-Führungsantennen; Antennes auto-guidage

Wire guidance; Slingstyrning; Induktivführung; Filoguidage			487 VR	350720 -
Pos	Description	Pcs	Part No	Note
11	Antenna Antenn; Antenne; Antenne	1	172019-001	
12	Bracket Fäste; Halterung; Support	1	166778	
13	Screw Skruv; Schraube; Vis	4	28328	
14	Washer Bricka; Scheibe; Rondelle	4	20375	
15	Plate Plåt; Platte; Plaque	1	173169	
16	Screw Skruv; Schraube; Vis	6	28590	
17	Antenna Antenn; Antenne; Antenne	1	172019-001	
18	Screw Skruv; Schraube; Vis	4	28328	
19	Washer Bricka; Scheibe; Rondelle	4	20375	
20	Screw Skruv; Schraube; Vis	2	21935	
21	Washer Bricka; Scheibe; Rondelle	4	20404	
22	Bracket Fäste; Halterung; Support	1	173214	

5280-034

P0011955

**5280-034 Level/position transducers/lamps**

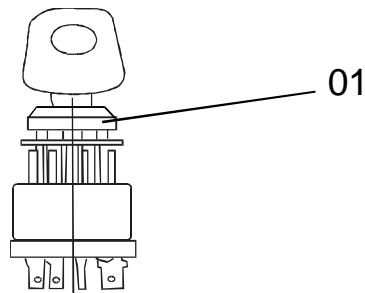
[2000-03-29]

Nivå-/lägesmätare/-lampa; Niveau- /Positions-/geber/-lampe; Capteur/lampes témoins de niveau/
position

<i>Lift / length indication; Höjd / längd indikering; Position hubhöhe / länge; Position élévation / longueur</i>			487 VR	334965 -
Pos	Description	Pcs	Part No	Note
11	Indicator Indikator; Ansager; Indicateur	1	144789-003	Lift / length indication Höjd / längd indikering; Position hubhöhe / länge; Position éléva- tion / longueur

5310-003

P0000151

**5310-003 Start/stop switch**

[1996-05-21]

Start/stopströmställare; Schalter Fahren/Anhalten; Interrupteur (coupe-circuit) démarrage/arrêt

			487 VR	334965 -
Pos	Description	Pcs	Part No	Note
01	Ignition switch Startlås; Zündschloss; Contact-démarreur	1	28555	

CLICK HERE TO **DOWNLOAD** THE COMPLETE MANUAL

- Thank you very much for reading the preview of the manual.
- You can download the complete manual from: www.heydownloads.com by clicking the link below

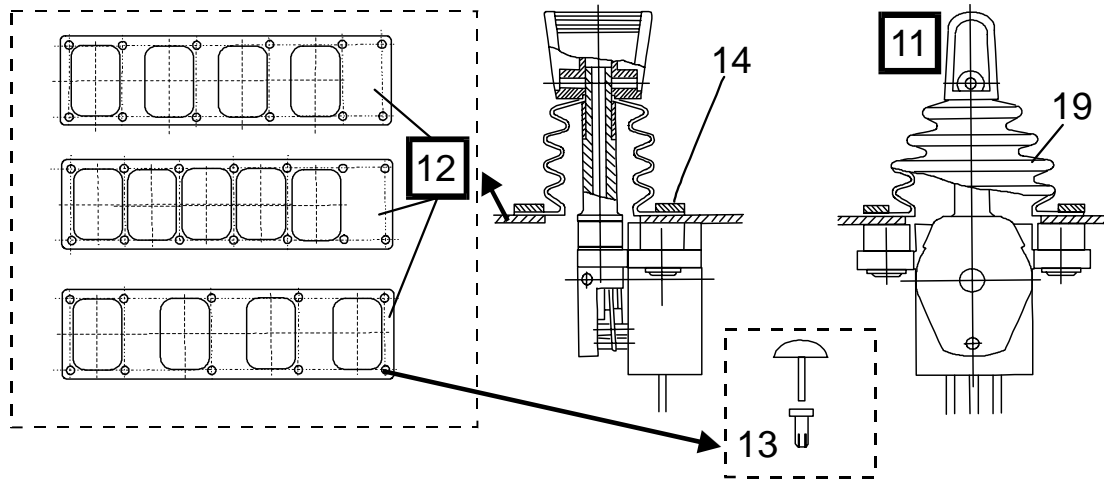


- Please note: If there is no response to CLICKING the link, please download this PDF first and then click on it.

CLICK HERE TO **DOWNLOAD** THE COMPLETE MANUAL

5510-046

P0010377



5510-046 Work function micro switches, potentiometers

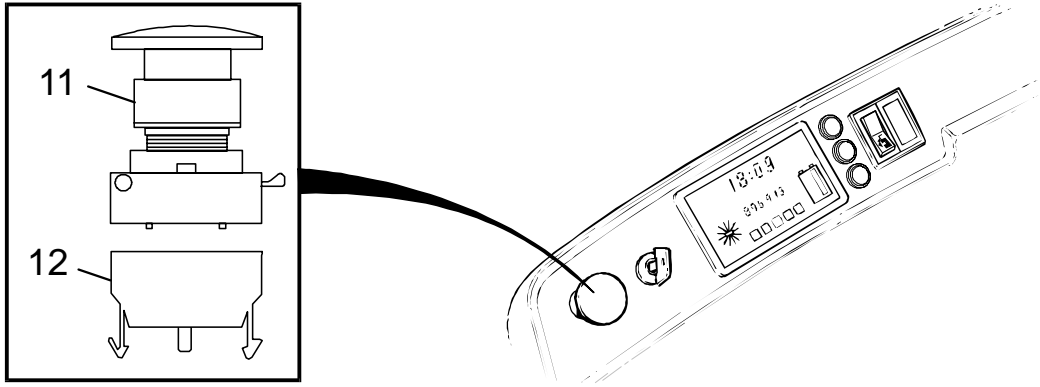
[1999-11-30]

Arbetsfunktionsbrytare/-potentiometer; Schalter/Potentiometer Arbeitsfunktion; Rupteurs (switches)/ potentiomètres

Joystick			487 VR	334965 -
Pos	Description	Pcs	Part No	Note
11	Joystick Joystick; Joystick; Joystick	4	142559	
12	Panel(Kit) Panel(Sats); Paneel(satz); Panneau(Jeux)	1	145137	
13	Nit(Plastic) Nit(Plast); Niet(Kunststoff); Rivet(Plastique)	4	29760	
14	Screw Skruv; Schraube; Vis		24354	
19	Bellows(Rubber) Bälg(Gummi); Balg(Gummi); Soufflet(Gomme)	4	151474-001	

5830-024

P0009598



5830-024 Safety probes/ sensors

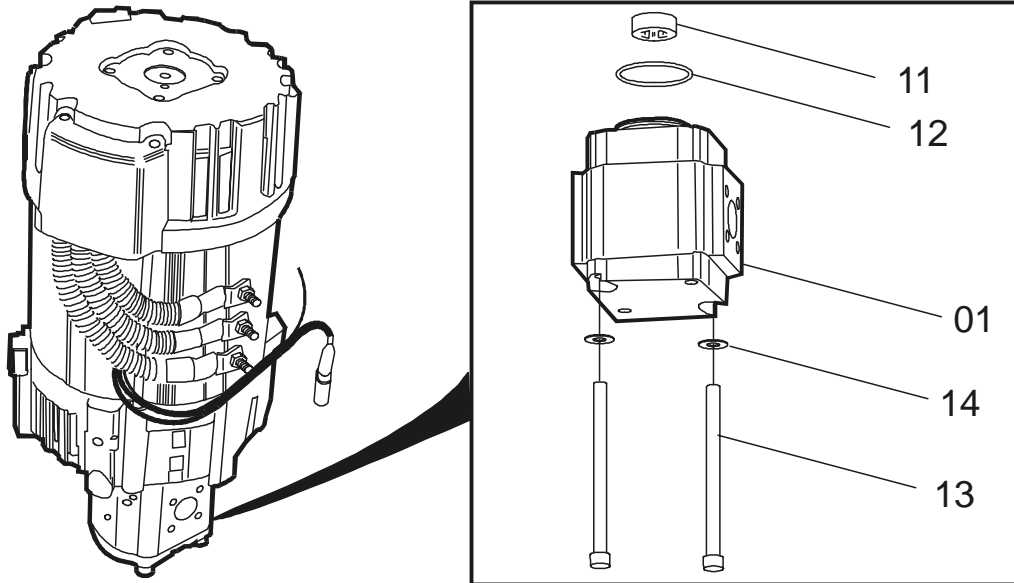
[1999-02-23]

Säkerhets-givare/-sensorer; Sicherheitsgeber/-sensor; Capteurs de sécurité

		487 VR		334965 -	
Pos	Description	Pcs	Part No	Note	
11	Push-button(Red) Tryckknapp(Röd); Druckknopf(Rot); Bouton(Rouge)	1	155567		
12	Contact device Kontaktblock; Kontakteinheit; Unite de contact	1	155568		

6140-021

P0013872



6140-021 Hydraulic pump
 Hydraulpump; Hydraulikpumpe; Pompe hydraulique

[2001-04-09]

		487 VR		411752 -
Pos	Description	Pcs	Part No	Note
01	Pump Pump; Pump; Pumpe	1	179456-001	
11	Driver Medbringare; Kupplung.; Couplement	1	179457	
12	O-ring O-ring; O-ring; Joint torique	1	181526	
13	Screw Skruv; Schraube; Vis	2	161657	
14	Washer Bricka; Scheibe; Rondelle	2	22528	

Quality Parts

6320-024

Pos	Description	Pcs	Part No	Note
56	Washer Bricka; Scheibe; Rondelle	2	20375	
57	Screw Skruv; Schraube; Vis	2	20259	
58	Bracket Fäste; Halterung; Support	1	159692	
59	Connector unit Kopplingsstycke; Kupplungsstück; Raccordement	1	166024	
60	Connection Koppling; Kupplung; Raccord	2	28781	
61	Screw Skruv; Schraube; Vis	2	20871	
62	Nipple Mät nipple; Nippel; Raccord	1	117430-006	
63	Connection Koppling; Kupplung; Raccord	4	28780	
64	Connection Koppling; Kupplung; Raccord	1	28801	

7720-004 Swivel/rotation function

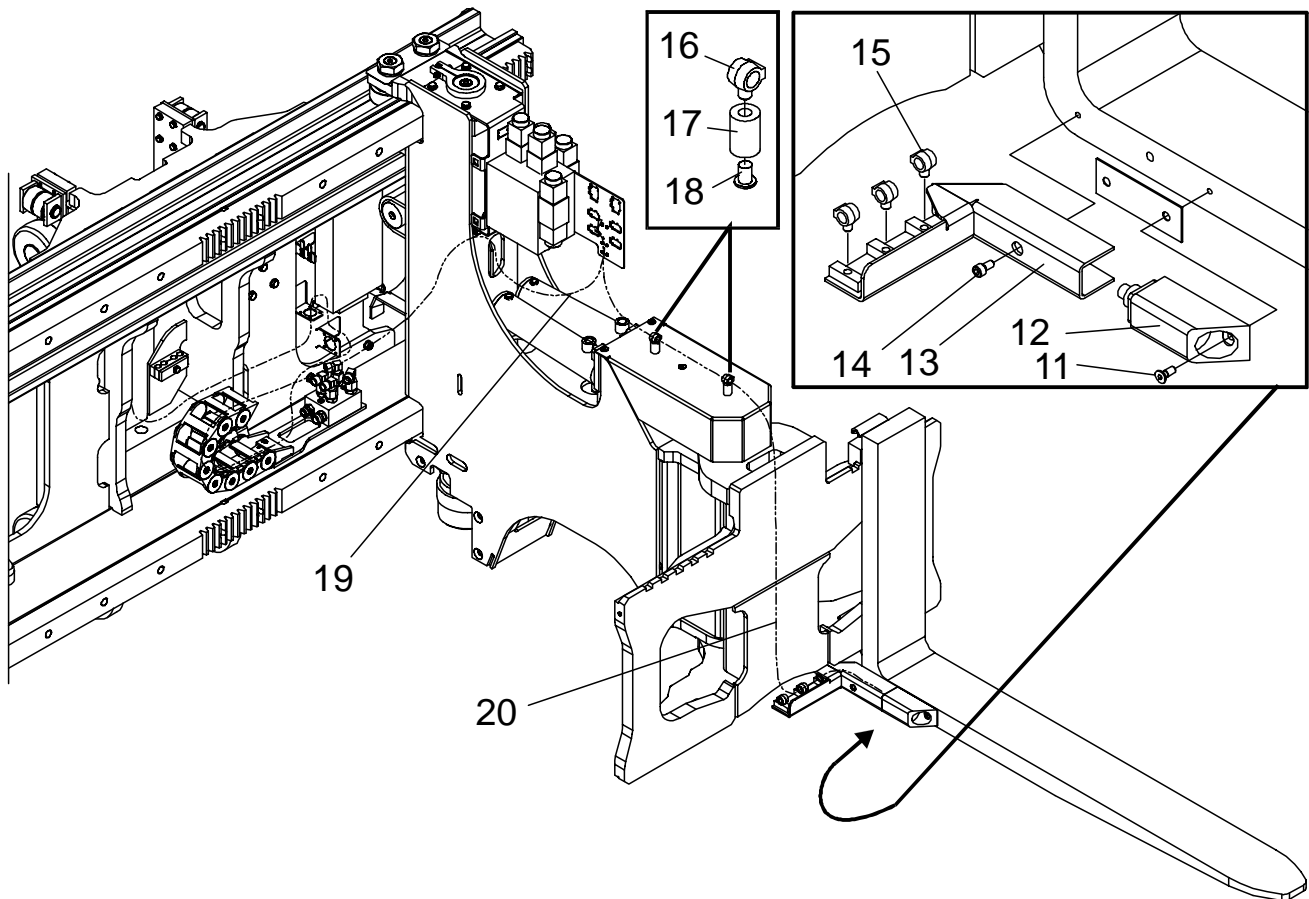
[2000-05-24]

Vrid-/svängfunktion gaffelaggr.; Dreh-/Schwenkfunktion Gabelaggregat; Fonction pivotement/rotation de tête

Pos	Description	Pcs	Part No	Note
			487 VR	362913 -
11	Potentiometer Potentiometer; Potentiometer; Potentiometre	1	171183	
12	Scraper Avskrapare; Abkratzer; Segment racleur	1	20911	
13	Bearing Lager; Lager; Roulement	1	170268	
14	Screw Skruv; Schraube; Vis	3	127378	
15	Axle Axel; Achse; Axe	1	166128	
16	Guide Genomföring; Durcgführung; Guide	2	29524	
17	Driver Medbringare; Kupplung.; Couplement	1	166127	
18	Locking pin Spännstift; Spannstift; Goupille	1	20208	
19	Fork yoke Gaffelok; Gabeljoch; Porte-fourche	1	177939	L = 800 mm, W = 165 mm
19	Fork yoke Gaffelok; Gabeljoch; Porte-fourche	1	177940	L = 1200 mm, W = 165 mm
19	Fork yoke Gaffelok; Gabeljoch; Porte-fourche	1	177941	L = 1500 mm, W = 165 mm
19	Fork yoke Gaffelok; Gabeljoch; Porte-fourche	1	177942	L = 800 mm, W = 125 mm
20	Stop screw Stoppskruv; Einstellschraube; Vis de arretoire	1	171371	
21	Bearing(Gliding) Lager(Glidande); Lager(Gleitend); Roulement(Glissant)	1	170269	Gluing Limning; Aufleimen; Collage
22	Greasing nipple Smörjnippel; Smiernippel; Graisseur	2	27662	
23	Bearing Lager; Lager; Roulement	1	170267	
24	Washer Bricka; Scheibe; Rondelle	1	170266	
25	Screw Skruv; Schraube; Vis	2	21819	
26	Nut Mutter; Mutter; Ecrou	2	20777	
27	Damper Dämpare; Dämpfer; Attenteur	2	133493-009	
28	Locking pin Spännstift; Spannstift; Goupille	1	179060	
31	Chain Kedja; Ketten; Chaîne	1	171036	
32	Chain lock Kedjelås; Kettenschloss; Arret de chaîne	2	171037	
33	Chain bolt Kedjebult; Kettenbolzen; Tourillon de chaîne	2	170263	
34	Screw Skruv; Schraube; Vis	4	21159	
35	Washer Bricka; Scheibe; Rondelle	4	20404	
36	Screw Skruv; Schraube; Vis	2	20078	
37	Washer Bricka; Scheibe; Rondelle	2	68915	

9390-016

P0011266

**9390-016 Positioning/TV equip., height preselector**

[1999-10-27]

Positionerings-/TV-utrustn., höjdförval; Positionier-/TV-Anlage, Höhenvorwahl; Equip.positionnement/
vidéo,préselecteur de hauteur

Turret head/three-way fork unit; Vridgaffelaggregat; Schwenkschubgabelaggregat; Tête tridirectionnelle			487 VR	334965 -
Pos	Description	Pcs	Part No	Note
11	Screw Skruv; Schraube; Vis	1	20188	
12	Camera Kamera; Kamera; Caméra	1	157604	
13	Protection Skydd; Schutz; Protègee	1	171791	
14	Screw Skruv; Schraube; Vis	1	20333	
15	Clamp Klamma; Rohrschelle; Collier		156268-003	
16	Clamp Klamma; Rohrschelle; Collier	2	156268-003	
17	Pipe Rör; Rohr; Tube	2	171870	
18	Screw Skruv; Schraube; Vis	2	28511	
19	Wiring harness Kablage; Kabelsatz; Câblage	1	165854	
20	Wiring harness Kablage; Kabelsatz; Câblage	1	165855	

CLICK HERE TO **DOWNLOAD** THE COMPLETE MANUAL

- Thank you very much for reading the preview of the manual.
- You can download the complete manual from: www.heydownloads.com by clicking the link below



- Please note: If there is no response to CLICKING the link, please download this PDF first and then click on it.

CLICK HERE TO **DOWNLOAD** THE COMPLETE MANUAL