

Quality Parts

VR C

Valid for machine number..... 401375AA-

Only valid for machine number.....

--	--	--	--	--	--	--	--

Ordering number 180104

Date 2000-12-05

Language..... GB SE DE FR / ITS / ESIF

CLICK HERE TO **DOWNLOAD** THE COMPLETE MANUAL

- Thank you very much for reading the preview of the manual.
- You can download the complete manual from: www.heydownloads.com by clicking the link below



- Please note: If there is no response to CLICKING the link, please download this PDF first and then click on it.

CLICK HERE TO **DOWNLOAD** THE COMPLETE MANUAL

Quality Parts

5460-021	Transistor panel Transistorpanel ; Transistorpanel; Panneau transistor	
5510-044	Work function micro switches, potentiometers Arbetsfunktionsbrytare/-potentiometer; Schalter/Potentiometer Arbeitsfunktion; Rupteurs (switchs)/ potentiomètres	Batching by weight
5510-046	Work function micro switches, potentiometers Arbetsfunktionsbrytare/-potentiometer; Schalter/Potentiometer Arbeitsfunktion; Rupteurs (switchs)/ potentiomètres	Joystick
5590-015	Work function harnesses/ fuse Arbetsfunktionskablage/ -säkring; Steurstromverkabelung/ -Sicherung; Câblage/ fusible fonction de travail	
5590-022	Work function harnesses/ fuse Arbetsfunktionskablage/ -säkring; Steurstromverkabelung/ -Sicherung; Câblage/ fusible fonction de travail	
5680-072	Battery/motor cables, fuse Batteri-/motorkablar, säkring; Batterie-/Motor kabel, Sicherung; Câbles de batterie/moteur, fusible	
5710-055	Drive/multi-function PCBs Elektronikkort åkning/kombination; Elektronikkarten Fahren/kombination; Cartes électroniques déplacement/combinaison	
5720-001	Work function PCBs Elektronikkort arbetsfunktion; Elektronikkarten Arbeitsfunktion; Cartes électroniques fonction de tra- vail	
5790-007	Safely electronics harnesses, fuse Skyddselektronikkablage/-säkring; Verkabelung, Sicherung Schutzelektronik; Faisceaux/câbles de commande, fusible, électronique de protection	Cabin tilt ERGO - REX
5820-014	Lift/lowering/reach movment probes/sensors Lyft-/sänk-/skjutrörelse-givare/-sensor; Hub-/Senk-/Schubgeber/-sensor; Capteurs de levage/ descente/rétraction	Height limit
5830-024	Safety probes/ sensors Säkerhets-givare/-sensorer; Sicherheitsgeber/-sensor; Capteurs de sécurité	
5830-027	Safety probes/ sensors Säkerhets-givare/-sensorer; Sicherheitsgeber/-sensor; Capteurs de sécurité	Left foot switch
5830-036	Safety probes/ sensors Säkerhets-givare/-sensorer; Sicherheitsgeber/-sensor; Capteurs de sécurité	
5840-009	Aisle probes/sensors Gångindikeringsgivare/-sensor; "Im Gang"-geber/-sensor; Capteurs d'indication "en allée"	

0390-087 Battery compartment parts

[2000-06-06]

Batteriutrymmesdelar; Batterieraumteile; Pièce de compartiment batterie

Pos	Description	Pcs	Part No	Note
			488 VR C	362913 -
11	Rubber sealing strip Gummiprofil; Gummiblock; Pavé de caoutchouc	1	117157-001	Meter Meter; Meter; Metre
12	Support Stöd; Stütze; Appui	2	163549	
13	Washer Bricka; Scheibe; Rondelle	8	20404	
14	Screw Skruv; Schraube; Vis	8	20365	
15	Roller(Complete) Rulle(Komplett); Rolle(Komplett); Roleau(Complet)	6	159287	
16	Roller Rulle; Rolle; Roleau	6	159288	
17	Axle Axel; Achse; Axe	6	159289	
18	Ball bearing Kullager; Kugellager; Roulement a billes	12	28420	
19	Locking ring Spårring; Schliessring; Circlip	12	20004	
20	Guide Styrning; Steuerung; Guidage	1	176783	
21	Bracket Fäste; Halterung; Support	1	176785	W = 355 mm
22	Bracket Fäste; Halterung; Support	1	176784	W = 427 mm
23	Bracket Fäste; Halterung; Support	1	176784	W = 355 mm
24	Bracket Fäste; Halterung; Support	1	176785	W = 427 mm
25	Screw Skruv; Schraube; Vis	4	20358	
26	Washer Bricka; Scheibe; Rondelle	4	20404	
27	Nut Mutter; Mutter; Ecrou	4	20081	

0550-003 Cabin door

[1998-02-26]

Hytt dörr; Kabinentür; Port de cabine

			488 VR C	350720 -
Pos	Description	Pcs	Part No	Note
11	Handle Handtag; Handgriff; Poignée.	1	161744	
12	Screw Skruv; Schraube; Vis	2	29899	
13	Screw Skruv; Schraube; Vis	1	29899	
15	Locking plate Låsplåt; Schlussplatte; Lame de serrage	1	161743	
16	Link Länk; Gelenk; Bras	1	161791	
17	Screw Skruv; Schraube; Vis	3	29899	
18	Screw Skruv; Schraube; Vis	2	29898	
19	Cap Lock; Deckel; Couvercle	1	162687	
20	Box Låda; Büchse; Boîte	1	162742	
22	Screw Skruv; Schraube; Vis	2	29899	
23	List(Meter) List(Meter); Leiste(Meter); Bande(Metre)		161760	
24	Screw Skruv; Schraube; Vis	3	164930	
25	Plate Plåt; Platte; Plaque	3	161777	
26	Window Fönster; Fenster; Fenêtre	1	161758	
27	List(Meter) List(Meter); Leiste(Meter); Bande(Metre)	6	161765	
28	Lock Lås; Schloss; Verrou	1	152256	
29	Screw Skruv; Schraube; Vis	4	164822	
30	Lock Lås; Schloss; Verrou	1	161749	
31	Compartment Fack; Busche; Boîte	1	162672	
32	Screw Skruv; Schraube; Vis	2	29899	
33	Screw Skruv; Schraube; Vis	3	164822	
34	Stopper Stoppånordning; Abstellvorrichtung; Dispositif d'arrêt	1	161769	
35	Bracket Fäste; Halterung; Support	2	161790	
36	Screw Skruv; Schraube; Vis	4	29899	
37	Faucet Låstapp; Schlossriegel; Fermeture	1	161748	
38	Bracket Fäste; Halterung; Support	1	161747	
39	Screw Skruv; Schraube; Vis	2	26875	
40	Screw Skruv; Schraube; Vis	2	29732	
41	Washer Bricka; Scheibe; Rondelle		20348	
42	Hook Hake; Haken; Crochet	1	161002	
43	Hinge Gångjärn; Charnier; Charnière	3	162676	

0680-059 Internal fittings

[1999-11-30]

Inredningsdetaljer; Einrichtungsteile; Accessoires intérieurs

			488 VR C	350720 -
Pos	Description	Pcs	Part No	Note
11	Observation mirror Bakspegel; Rückspiegel; Rétrovisueur	1	161766	
12	Screw Skruv; Schraube; Vis	2	29898	
13	Bracket Fäste; Halterung; Support	1	162673	
14	Panel Panel; Paneel; Panneau	1	161003	
15	Washer Bricka; Scheibe; Rondelle	1	100231	
16	Nut Mutter; Mutter; Ecrou	1	24938	
17	Handle Handtag; Handgriff; Poignée.	1	162670	
18	Screw Skruv; Schraube; Vis	2	29732	
19	Air bleed Luftuttag; Luftauslauf; Échappement d'air	3	161768	
20	Screw Skruv; Schraube; Vis	6	29967	
21	Panel Panel; Paneel; Panneau	1	162565	
22	Compartment Fack; Busche; Boîte	1	162678	
23	Screw Skruv; Schraube; Vis	3	164822	
24	Panel Panel; Paneel; Panneau	1	163073	
25	Cushion Dyna; Kissen; Coussin	1	143294	
26	List List; Leiste; Bande	1	147736	
27	Clamp Klamma; Rohrschelle; Collier	1	157017	
28	Washer Bricka; Scheibe; Rondelle	2	20404	
29	Screw Skruv; Schraube; Vis	2	20578	
30	Plate Plåt; Platte; Plaque	1	162813	
31	Damper Dämpare; Dämpfer; Attenteur	2	28078	
32	Screw Skruv; Schraube; Vis	1	20184	
33	Washer Bricka; Scheibe; Rondelle	1	20404	
34	Nut Mutter; Mutter; Ecrou	1	28930	
35	Cap Lock; Deckel; Couvercle	2	132577	
36	Frame Ram; Rahmen; Cadre	2	133416	
37	Screw Skruv; Schraube; Vis	1	20938	
38	Washer Bricka; Scheibe; Rondelle	1	29758	
39	Nut Mutter; Mutter; Ecrou	1	127035-003	
40	Screw Skruv; Schraube; Vis	2	29810	
41	Nut Mutter; Mutter; Ecrou	2	28930	

1710-034 Electric pump motor

[2000-10-10]

Elektrisk pumpmotor; Elektro-Pumpenmotor; Moteur de pompe électrique

		488 VR C		401375 -
Pos	Description	Pcs	Part No	Note
01	Motor(Complete) Motor(Komplett); Motor(Komplett); Moteur(Complect)	1	170433-195	
11	Screw Skruv; Schraube; Vis	3	20050	
12	Protection Skydd; Schutz; Protéège	1	179458	
13	Shield Sköld; Schild; Bouclier	1	170425	
14	Screw Skruv; Schraube; Vis	4	160913-355	
15	Washer Bricka; Scheibe; Rondelle	1	180098	
16	Ball bearing Kullager; Kugellager; Roulement a billes	1	160918	
17	Stator Stator; Ständer; Stator	1	160916-195	
18	Contact housing Kontaktus; Kontaktvorrichtung; Engrenage de mise en action	1	159221-002	
19	Plug Stift; Stift; Fiche	2	159223-002	
20	Sealing Tätning; Dichtung; Joint	2	159224-002	
21	Bracket Fäste; Halterung; Support	1	170383	
22	Bracket Fäste; Halterung; Support	1	170431	
23	Rotor Rotor; Rotor; Rotor	1	170428	
24	Cap Lock; Deckel; Couvercle	1	170429	
25	Bearing Lager; Lager; Roulement	1	28887	
26	Stay ring Stödring; Stutzring; Anneau de support	1	161035	
27	Locking ring Spärring; Schliessring; Circlip	3	20008	
28	Shield Sköld; Schild; Bouclier	1	170426	
29	Sealing Tätning; Dichtung; Joint	1	161658	
30	Nut Mutter; Mutter; Ecrou	4	20433	
31	Screw Skruv; Schraube; Vis	3	170435	
32	Washer Bricka; Scheibe; Rondelle	3	20375	
33	Nut Mutter; Mutter; Ecrou	3	20081	
34	Washer Bricka; Scheibe; Rondelle	3	22528	
35	Terminal board Uttagsplint; Klemmbrett; Borne	1	170373	
36	Screw Skruv; Schraube; Vis	2	180096	
37	Sensor(Temperature) Givare(Temperatur); Geber(Temperatur); Capteur(Température)	1	170384	

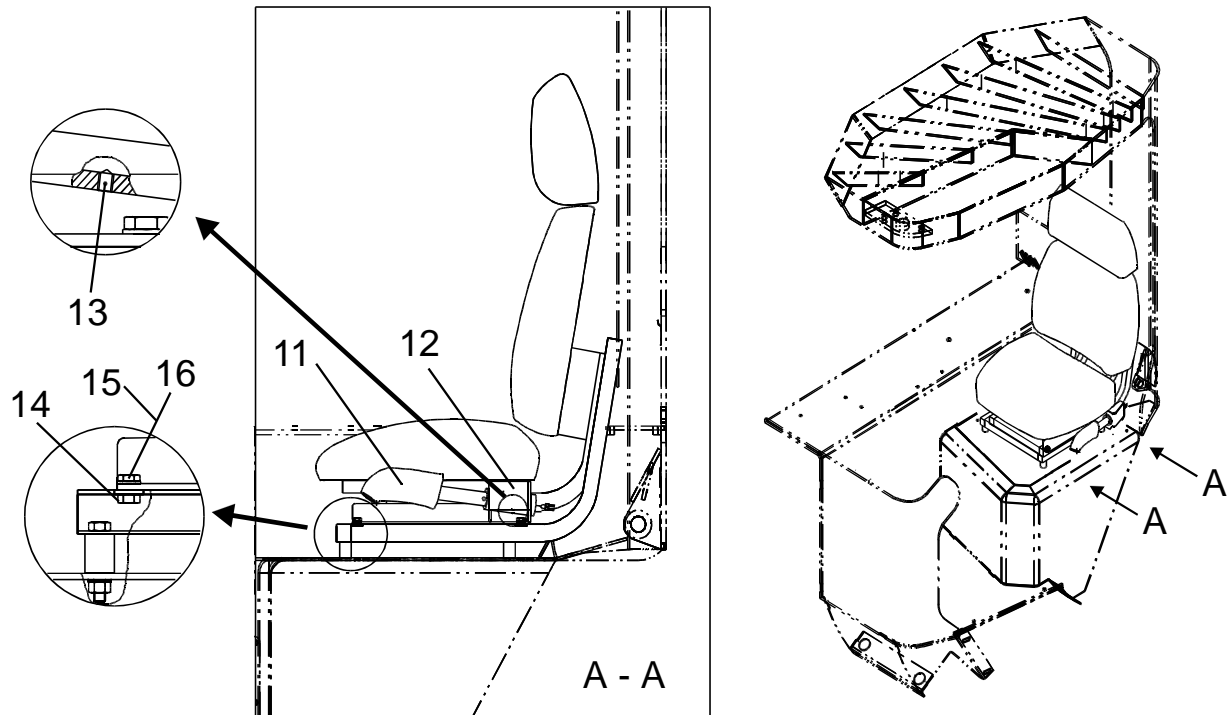
2550-025 Mechanical drive gear unit

[1999-10-06]

Drivaggregat/-växel; Antriebsaggregat/-getriebe; Groupe de traction, réducteur

		488 VR C		350720 -	
Pos	Description	Pcs	Part No	Note	
01	Driving gear compl. Drivväxel kompl.; Antriebsatz kompl.; Groupe de entrainement compl.	1	171464		
11	Screw Skruv; Schraube; Vis	2	26327		
12	Washer Bricka; Scheibe; Rondelle	1	27213		
13	Screw Skruv; Schraube; Vis	1	27212		
14	Screw Skruv; Schraube; Vis	6	20078		
16	Screw Skruv; Schraube; Vis	8	23932		
17	Screw Skruv; Schraube; Vis	2	28344		
18	Gear wheel Kugghjul; Zahnrad; Roue dentée	1	150898		
19	Spare part kit : Bevel gear Reservdelssats : Koniskt kugghjul; Satz : Kegelrad; Jeux : Roue conique à denture droite	1	150869		
20	Protection Skydd; Schutz; Protègee	1	150880		
21	Screw Skruv; Schraube; Vis	7	150881		
22	Axle Axel; Achse; Axe	1	150868		
23	Sealing Tätning; Dichtung; Joint	1	29888		
24	Shim(0,05 mm) Shims; Schim; Cale		150885-001		
24	Shim(0,1mm) Shims; Schim; Cale		150885-002		
24	Shim(0,2 mm) Shims; Schim; Cale		150885-003		
24	Shim(0,3 mm) Shims; Schim; Cale		150885-004		
24	Shim(0,5 mm) Shims; Schim; Cale		150885-005		
25	Roller bearing Rullager; Rollenlager; Palier à rouleaux	1	29864		
26	Shim(0,05 mm) Shims; Schim; Cale		150884-001		
26	Shim(0,1mm) Shims; Schim; Cale		150884-002		
26	Shim(0,2 mm) Shims; Schim; Cale		150884-003		
26	Shim(0,3 mm) Shims; Schim; Cale		150884-004		
26	Shim(0,5 mm) Shims; Schim; Cale		150884-005		
27	Roller bearing Rullager; Rollenlager; Palier à rouleaux	1	29865		
28	O-ring O-ring; O-ring; Joint torique	1	29886		
29	Washer Bricka; Scheibe; Rondelle	1	150900		
30	Nut Mutter; Mutter; Ecrou	1	139714		
31	Cap Lock; Deckel; Couvercle	1	150875		
32	Roller bearing Rullager; Rollenlager; Palier à rouleaux	1	20624		

5320-006



5320-006 Travel direction switch (separate)

[1997-01-31]

Riktningväljare (separat); Richtungsschalter (separat); Sélecteur de direction (séparé)

Cabin tilt ERGO - REX; Hyttilt ERGO - REX; Umklappbar Kabinen ERGO - REX; Cabine oscillant ERGO - REX		488 VR C		350720 -	
Pos	Description	Pcs	Part No	Note	
11	Handle(Including switch) Handtag(Med brytare); Handgriff(Mit schalter); Poignée.(Avec rupteur)	1	146435		
12	Bracket Fäste; Halterung; Support	1	146405		
13	Screw Skruv; Schraube; Vis	1	25584		
14	Screw Skruv; Schraube; Vis	2	21935		
15	Washer Bricka; Scheibe; Rondelle	2	20404		
16	Nut Mutter; Mutter; Ecrou	2	20016		

CLICK HERE TO **DOWNLOAD** THE COMPLETE MANUAL

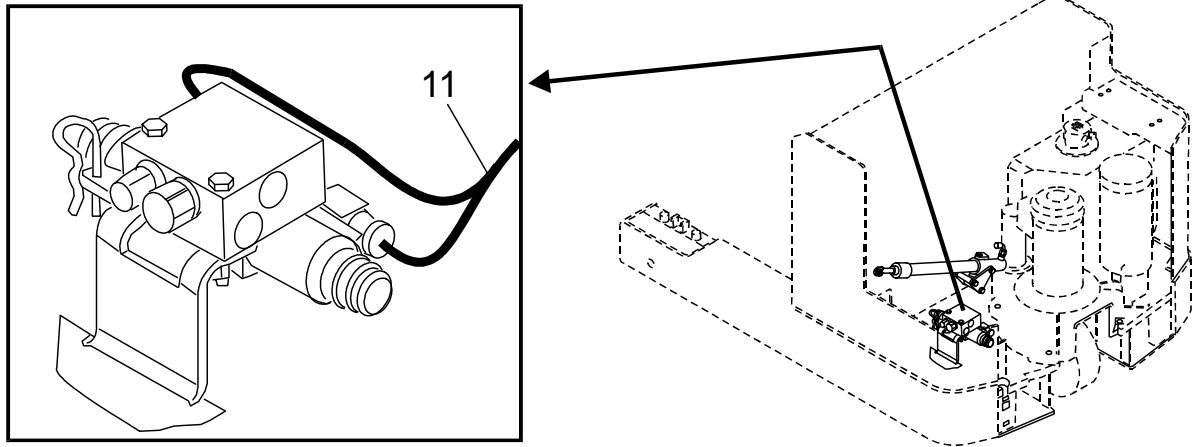
- Thank you very much for reading the preview of the manual.
- You can download the complete manual from: www.heydownloads.com by clicking the link below



- Please note: If there is no response to CLICKING the link, please download this PDF first and then click on it.

CLICK HERE TO **DOWNLOAD** THE COMPLETE MANUAL

5590-015

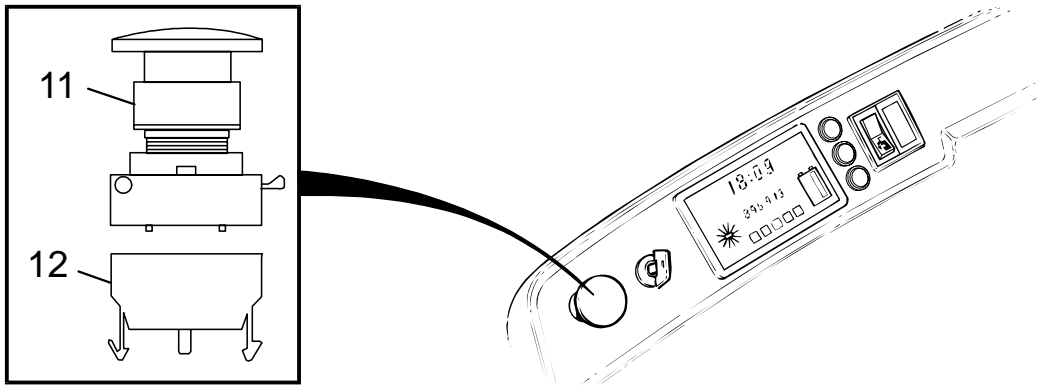
**5590-015 Work function harnesses/ fuse**

[1999-12-01]

Arbetsfunktionskablage/ -säkring; Steurstromverkabelung/ -Sicherung; Câblage/ fusible fonction de travail

Pos	Description	Pcs	Part No	Note
11	Wiring harness Kablage; Kabelsatz; Câblage	1	152093	

5830-024

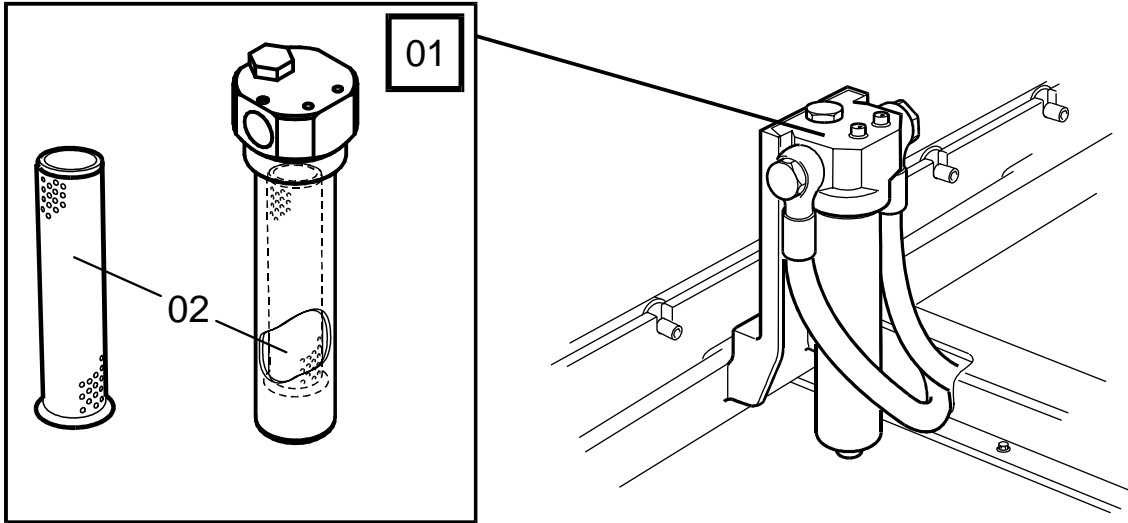
**5830-024 Safety probes/ sensors**

[1999-02-23]

Säkerhets-givare/-sensorer; Sicherheitsgeber/-sensor; Capteurs de sécurité

Pos	Description	Pcs	Part No	Note
11	Push-button(Red) Tryckknapp(Röd); Druckknopf(Rot); Bouton(Rouge)	1	155567	
12	Contact device Kontaktblock; Kontakteinheit; Unite de contact	1	155568	

6130-016



6130-016 Filters and housing

Filter, filterhus; Filter, Gehäuse; Filtres, logement de filtre

[1999-05-10]

Chassis; Chassi; Chassis; Châssis			488 VR C	350720 -
Pos	Description	Pcs	Part No	Note
01	Filter(Complete) Filter(Komplett); Filter(Komplett); Filtre(Comple)	1	167035	
02	Filter Filter; Filter; Filtre	1	171451	

6320-071 Mast hydraulic lines

[2000-05-17]

Stativhydraulledningar; Hydraulikleitungen Hubeinrichtung; Circuits hydrauliques mât

With tilt; Med tilt; Mit neigung; Avec inclinasion			488 VR C	362913 -
Pos	Description	Pcs	Part No	Note
11	Valve Ventil; Ventil; Soupape	1	171616	
12	Hose Slang; Schlauch; Tuyau flexible	2	177863-065	L = 1315, AL = 650 mm
12	Hose Slang; Schlauch; Tuyau flexible	2	177863-070	L = 1365, AL = 700 mm
12	Hose Slang; Schlauch; Tuyau flexible	2	177863-075	L = 1415, AL = 750 mm
12	Hose Slang; Schlauch; Tuyau flexible	2	177863-080	L = 1465, AL = 800 mm
12	Hose Slang; Schlauch; Tuyau flexible	2	177863-090	L = 1565, AL = 900 mm
12	Hose Slang; Schlauch; Tuyau flexible	2	177863-100	L = 1665, AL = 1000 mm
12	Hose Slang; Schlauch; Tuyau flexible	2	177863-110	L = 1765, AL = 1100 mm
12	Hose Slang; Schlauch; Tuyau flexible	2	177863-120	L = 1865, AL = 1200 mm
12	Hose Slang; Schlauch; Tuyau flexible	2	177863-130	L = 1965, AL = 1300 mm
12	Hose Slang; Schlauch; Tuyau flexible	2	177863-140	L = 2065, AL = 1400 mm
12	Hose Slang; Schlauch; Tuyau flexible	2	177863-150	L = 2165, AL = 1500 mm
13	Nut Mutter; Mutter; Ecrou	1	20249	
14	Washer Bricka; Scheibe; Rondelle	2	20375	
15	Plate Plåt; Platte; Plaque	3	166751	
16	Clamp Klamma; Rohrschelle; Collier	2	166750	
17	Screw Skruv; Schraube; Vis	3	28511	
18	Bracket Fäste; Halterung; Support	1	174882	
19	Screw Skruv; Schraube; Vis	1	22073	
20	Hose Slang; Schlauch; Tuyau flexible	2	177862-002	
21	Hose Slang; Schlauch; Tuyau flexible	2	177862-001	
22	Connection Koppling; Kupplung; Raccord	14	28780	
23	Connector unit Kopplingsstycke; Kupplungsstück; Raccordement	2	176271	
24	Screw Skruv; Schraube; Vis	4	20750	
25	Plug Plugg; Pfropf; Bouchon	2	22264	
26	Nut Mutter; Mutter; Ecrou	2	22982	

Pos	Description	Pcs	Part No	Note
03	Cylinder pipe Cylinderrör; Zylinderrohr; Tube de cylindre	1	165179-430	
03	Cylinder pipe Cylinderrör; Zylinderrohr; Tube de cylindre	1	165179-490	
03	Cylinder pipe Cylinderrör; Zylinderrohr; Tube de cylindre	1	165179-550	
03	Cylinder pipe Cylinderrör; Zylinderrohr; Tube de cylindre	1	165179-610	
03	Cylinder pipe Cylinderrör; Zylinderrohr; Tube de cylindre	1	165179-700	
03	Cylinder pipe Cylinderrör; Zylinderrohr; Tube de cylindre	1	165179-760	
03	Cylinder pipe Cylinderrör; Zylinderrohr; Tube de cylindre	1	165179-820	
03	Cylinder pipe Cylinderrör; Zylinderrohr; Tube de cylindre	1	165179-880	
03	Cylinder pipe Cylinderrör; Zylinderrohr; Tube de cylindre	1	165179-940	
04	Piston Kolv; Kolben; Piston	1	157215	
05	Piston rod Kolvstång; Kolbenstange; Tige de piston	1	165187-100	
05	Piston rod Kolvstång; Kolbenstange; Tige de piston	1	165187-430	
05	Piston rod Kolvstång; Kolbenstange; Tige de piston	1	165187-490	
05	Piston rod Kolvstång; Kolbenstange; Tige de piston	1	165187-550	
05	Piston rod Kolvstång; Kolbenstange; Tige de piston	1	165187-610	
05	Piston rod Kolvstång; Kolbenstange; Tige de piston	1	165187-700	
05	Piston rod Kolvstång; Kolbenstange; Tige de piston	1	165187-760	
05	Piston rod Kolvstång; Kolbenstange; Tige de piston	1	165187-820	
05	Piston rod Kolvstång; Kolbenstange; Tige de piston	1	165187-880	
05	Piston rod Kolvstång; Kolbenstange; Tige de piston	1	165187-940	
11	Guide Styrning; Steuerung; Guidage	1	146124	
12	Hose break valve Slangbrottsventil; Schlauchbruchventil; Valve de gonflement (rupture)	1	29691	
13	Bracket Fäste; Halterung; Support	1	139559	
14	Screw Skruv; Schraube; Vis	2	20044	
15	Washer Bricka; Scheibe; Rondelle	2	20348	
16	Air bleeder Luftventil; Luftnippel; Soupape (air)	1	24325	
17	Washer Bricka; Scheibe; Rondelle	2	20404	
18	Screw Skruv; Schraube; Vis	2	20578	

7120-121 Main lift chain system

[2000-06-08]

Huvudlyftkedjesystem; Haupthubkettensystem; Système de chaîne de levage mât principal

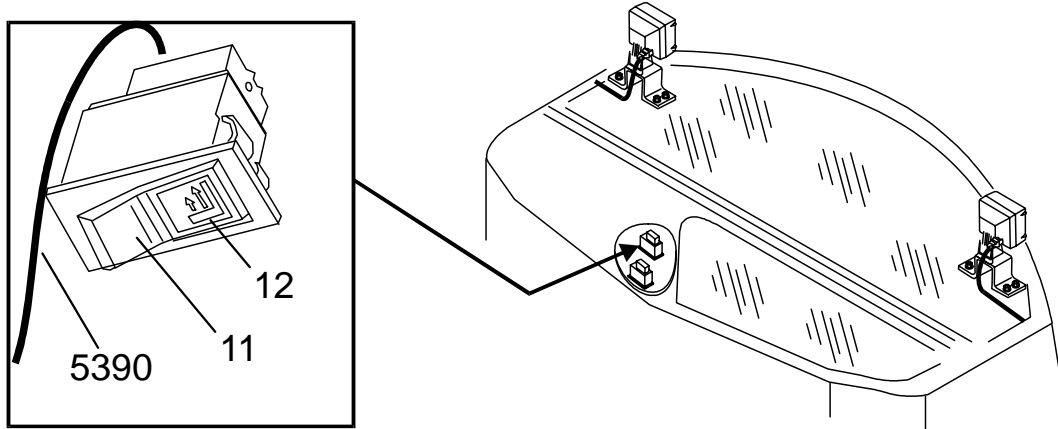
		488 VR C		362913 -	
Pos	Description	Pcs	Part No	Note	
11	Chain wheel(Complete) Kedjehjul(Komplett); Kettenrad(Komplett); Roue de chaine(Comple)	2	176012		
17	Axle Axel; Achse; Axe	2	137853		
18	Washer Bricka; Scheibe; Rondelle	2	20236		
19	Screw Skruv; Schraube; Vis	2	23006		
20	Chain complete Kedja komplett; Ketten komplett ; Chaine complete	2	139572-100		
20	Chain complete Kedja komplett; Ketten komplett ; Chaine complete	2	139572-430		
20	Chain complete Kedja komplett; Ketten komplett ; Chaine complete	2	139572-490		
20	Chain complete Kedja komplett; Ketten komplett ; Chaine complete	2	139572-550		
20	Chain complete Kedja komplett; Ketten komplett ; Chaine complete	2	139572-610		
20	Chain complete Kedja komplett; Ketten komplett ; Chaine complete	2	139572-700		
20	Chain complete Kedja komplett; Ketten komplett ; Chaine complete	2	139572-760		
20	Chain complete Kedja komplett; Ketten komplett ; Chaine complete	2	139572-820		
20	Chain complete Kedja komplett; Ketten komplett ; Chaine complete	2	139572-880		
20	Chain complete Kedja komplett; Ketten komplett ; Chaine complete	2	139572-940		
21	Chain bolt Kedjebult; Kettenbolzen; Tourillon de chaine	4	105381		
22	Chain bolt Kedjebult; Kettenbolzen; Tourillon de chaine	4	105814		
23	Washer Bricka; Scheibe; Rondelle	8	20404		
24	Cotter pin Saxpinne; Gespalter stift; Goupille fendue	8	21445		
26	Washer Bricka; Scheibe; Rondelle	2	21431		
27	Nut Mutter; Mutter; Ecrou	4	20006		
28	Nut Mutter; Mutter; Ecrou	4	20528		
29	Chain complete Kedja komplett; Ketten komplett ; Chaine complete	1	165180-100		
29	Chain complete Kedja komplett; Ketten komplett ; Chaine complete	1	165180-430		
29	Chain complete Kedja komplett; Ketten komplett ; Chaine complete	1	165180-490		
29	Chain complete Kedja komplett; Ketten komplett ; Chaine complete	1	165180-550		
29	Chain complete Kedja komplett; Ketten komplett ; Chaine complete	1	165180-610		
29	Chain complete Kedja komplett; Ketten komplett ; Chaine complete	1	165180-700		
29	Chain complete Kedja komplett; Ketten komplett ; Chaine complete	1	165180-760		
29	Chain complete Kedja komplett; Ketten komplett ; Chaine complete	1	165180-820		
29	Chain complete Kedja komplett; Ketten komplett ; Chaine complete	1	165180-880		
29	Chain complete Kedja komplett; Ketten komplett ; Chaine complete	1	165180-940		

Quality Parts

7410-037

Pos	Description	Pcs	Part No	Note
11	Fork(L = 1600 mm) Gaffel; Gabel; Fourche	2	126706-160	W = 125 mm
12	Clamp Klamma; Rohrschelle; Collier	2	24398	
13	Locking pin Spännstift; Spannstift; Goupille	2	20001	
14	Washer Bricka; Scheibe; Rondelle	2	24497	
15	Spring Fjäder; Feder; Ressort	2	24400	
16	Catch Spärr; Sperre; Arret	2	24399	
17	Catch complete(Kit) Spärr komplett(Sats); Sperre Komplett(satz); Arret complete(Jeux)	2	24545	

9300-025



9300-025 Extra electrical equipment

[2000-04-17]

Extra elektrisk utrustning; Elektrische Zusatzausrüstung ; Equipement électrique supplémentaire

Full / half movement, traversering; Hel / halvslag, traversering; Volls Schlag / halbschlag, Querschub; Pein-coup / demi-coup, translation		488 VR C		350720 -	
Pos	Description	Pcs	Part No	Note	
11	Switch Brytare; Schalter; Rupteur	1	132571		
12	Sign Skylt; Schild; Vignette	1	133414-028		

CLICK HERE TO **DOWNLOAD** THE COMPLETE MANUAL

- Thank you very much for reading the preview of the manual.
- You can download the complete manual from: www.heydownloads.com by clicking the link below



- Please note: If there is no response to CLICKING the link, please download this PDF first and then click on it.

CLICK HERE TO **DOWNLOAD** THE COMPLETE MANUAL