

Quality Parts

SPT 2.0

Valid for machine number..... 407200AA-

Only valid for machine number.....

Ordering number 181429

Date 2001-05-15

Language..... GB SE DE FR / ITS / ESIF

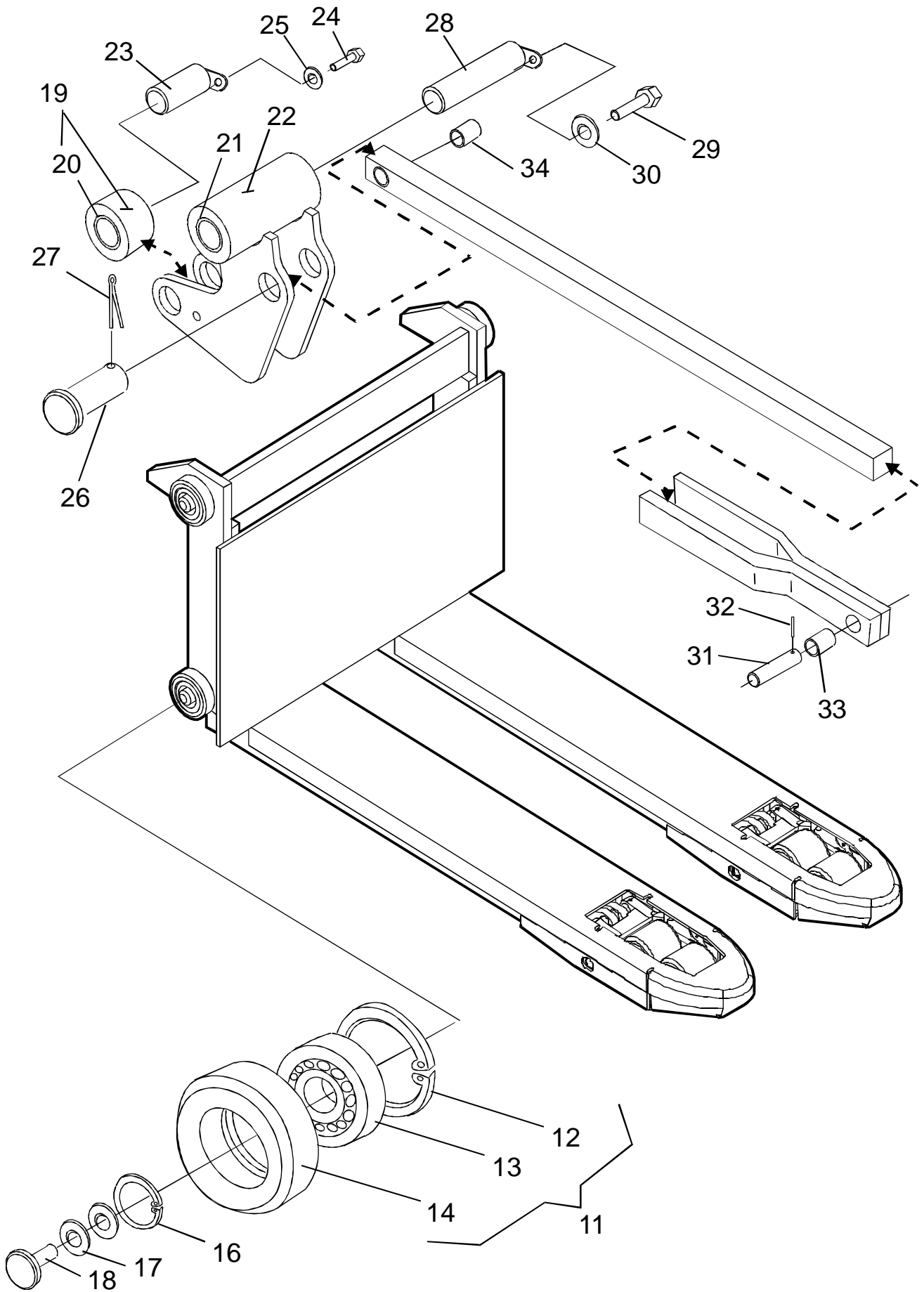
CLICK HERE TO **DOWNLOAD** THE COMPLETE MANUAL

- Thank you very much for reading the preview of the manual.
- You can download the complete manual from: www.heydownloads.com by clicking the link below



- Please note: If there is no response to CLICKING the link, please download this PDF first and then click on it.

CLICK HERE TO **DOWNLOAD** THE COMPLETE MANUAL



1700-017 Electric drive motor

[2001-02-05]

Elektrisk åkmotor; Elektro-Fahrmotor; Moteur de traction électrique

			373 SPT 2.0	292169 -
Pos	Description	Pcs	Part No	Note
01	Motor(Complete) Motor(Komplett); Motor(Komplett); Moteur(Complet)	1	160606	
02	Carbon brush Kolborste; Kohlebürste; Charbon	4	152973	
03	Brush bridge(Complete) Borstbrygga(Komplett); Bürstenbrücke(Komplett); Support de porte balais(Complet)	1	143820	
09	Rotor Rotor; Rotor; Rotor	1	151429	
10	Stator Stator; Ständer; Stator	1	143816	
11	Key Kil; Keil; Clavette	1	21132	
12	Screw Skruv; Schraube; Vis	4	26652	
13	Locking ring Spärring; Schliessring; Circlip	2	29515	
14	Ball bearing Kullager; Kugellager; Roulement a billes	1	28885	
15	Ring Ring; Ring; Bague	1	143821	
16	End shield Lagersköld; Lagerschild; Bouclier	1	143819	
17	Screw Skruv; Schraube; Vis	8	20831	
18	Spring Fjäder; Feder; Ressort	8	143814	
19	Screw Skruv; Schraube; Vis	8	25064	
20	Washer Bricka; Scheibe; Rondelle	8	21307	
21	Screw Skruv; Schraube; Vis	6	20743	
22	Fan Fläkt; Kühlgebläse; Ventilateur	1	148190	
23	Expanding sleeve Spännbussning; Dehningshülse; Douille expansion	1	143813	
24	Sealing Tätning; Dichtung; Joint	1	28884	
25	Locking ring Spärring; Schliessring; Circlip	1	20923	
26	Key Kil; Keil; Clavette	1	20150	
27	Ball bearing Kullager; Kugellager; Roulement a billes	1	26102	
28	Locking ring Spärring; Schliessring; Circlip	1	20019	
29	End shield Lagersköld; Lagerschild; Bouclier	1	143818	
30	O-ring O-ring; O-ring; Joint torique	1	29453	
31	Plug Propp; Pfropfen; Bouchon	7	148206	
32	Pipe Rör; Rohr; Tube	1	150007	

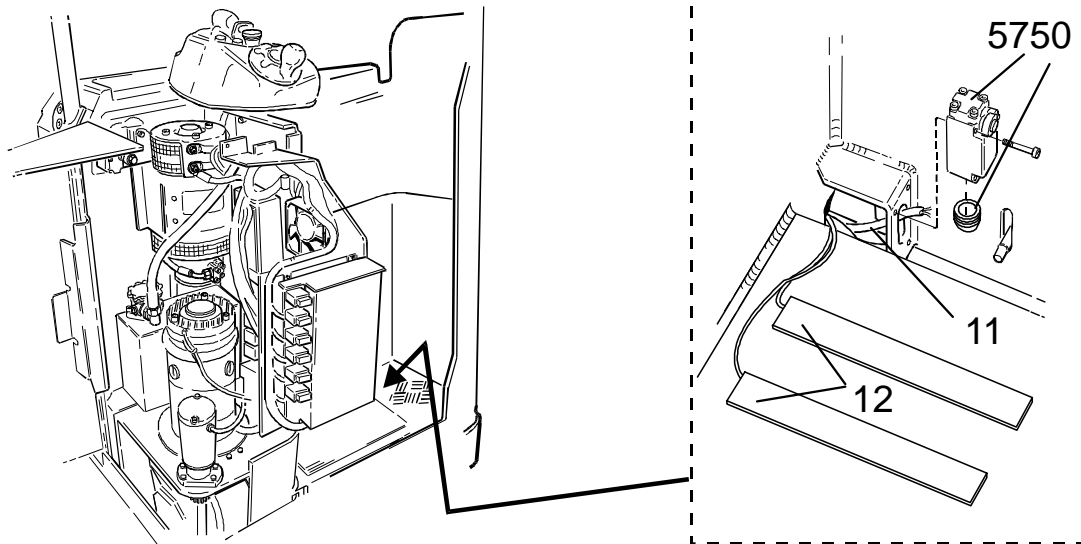
Quality Parts

Pos	Description	Pcs	Part No	Note
43	Washer Bricka; Scheibe; Rondelle	1	20404	
44	Screw Skruv; Schraube; Vis	4	28511	
45	Screw Skruv; Schraube; Vis	4	28592	
46	Bar Skena; Stab; Barre	2	154777	
47	Bar Skena; Stab; Barre	2	154200-001	
48	Screw Skruv; Schraube; Vis	4	24354	
49	Nut Mutter; Mutter; Ecrou	2	20235	

Quality Parts

5390-172

Pos	Description	Pcs	Part No	Note
15	Fuse(20A) Säkring; Sicherung; Fusible	1	122308-200	
16	Fuse(10A) Säkring; Sicherung; Fusible	1	122308-100	
17	Wiring harness Kablage; Kabelsatz; Câblage	1	154860	Including micro switch 149794 Inklusive mikrobrytare 149794; Inklusive Mikroshalter 149794; Inclus interrupteur 149794
18	Wiring harness Kablage; Kabelsatz; Câblage	1	162559	180° Steering 180° Styrning; 180° Steuerung; 180° Commande



5790-013 Safely electronics harnesses, fuse

[1997-11-21]

Skyddselektronikkablage/-säkring; Verkabelung, Sicherung Schutzelektronik; Faisceaux/câbles de commande, fusible, électronique de protection

		373 SPT 2.0		311627 -
Pos	Description	Pcs	Part No	Note
11	Wiring harness Kablage; Kabelsatz; Câblage	1	155427	
12	Wiring harness(Including switch) Kablage(Med brytare); Kabelsatz(Mit schalter); Câblage(Avec rupteur)	1	162008	

CLICK HERE TO **DOWNLOAD** THE COMPLETE MANUAL

- Thank you very much for reading the preview of the manual.
- You can download the complete manual from: www.heydownloads.com by clicking the link below



- Please note: If there is no response to CLICKING the link, please download this PDF first and then click on it.

CLICK HERE TO **DOWNLOAD** THE COMPLETE MANUAL