

Quality Parts

SPT 2.0

Valid for machine number..... 324940AA-

Only valid for machine number.....

--	--	--	--	--	--	--	--

Ordering number..... 169145

Date 1998-11-26 / ESDF

Language..... GB; SE; DE; FR

CLICK HERE TO **DOWNLOAD** THE COMPLETE MANUAL

- Thank you very much for reading the preview of the manual.
- You can download the complete manual from: www.heydownloads.com by clicking the link below



- Please note: If there is no response to CLICKING the link, please download this PDF first and then click on it.

CLICK HERE TO **DOWNLOAD** THE COMPLETE MANUAL

0850-030 Signs, warnings

[1997-05-06]

Skyltar, varningar; Schilder, Warnzeichen; Vignette, avertissement

			373 SPT 2.0	292169 -
Pos	Description	Pcs	Part No	Note
11	Sign Skylt; Schild; Vignette	1	150229	
12	Sign Skylt; Schild; Vignette	1	148227	
13	Sign Skylt; Schild; Vignette	1	143096	
14	Sign Skylt; Schild; Vignette	1	155324	360° Steering 360° Styrning; 360° Steuerung; 360° Commande
15	Sign Skylt; Schild; Vignette	1	147126	
19	Sign Skylt; Schild; Vignette	4	152027	
20	Sign Skylt; Schild; Vignette	1	151843	
22	Sign(" STRATOS ") Skylt; Schild; Vignette	1	154817	
23	Sign Skylt; Schild; Vignette	1	72082	
24	Striping(Black) Dekortejp(Svart); Dekolinie(Schwarz); Adhésif autocolant(Noir)	2	139069	
25	Sign Skylt; Schild; Vignette	1	162583	180° Steering 180° Styrning; 180° Steuerung; 180° Commande

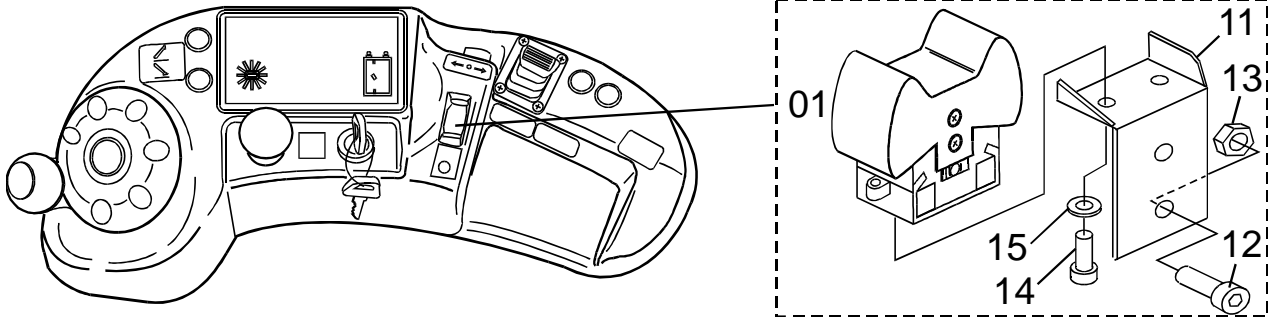
4110-042 Steering arm / wheel / lever

[1997-04-03]

Manöverreglage arm/ratt/spak; Steuerarm, Lenkrad / Hebel; Bras / roue / levier de Direction

			373 SPT 2.0	292169 -
Pos	Description	Pcs	Part No	Note
11	Washer Bricka; Scheibe; Rondelle	1	135459	
12	Nut Mutter; Mutter; Ecrou	1	20016	
13	Washer Bricka; Scheibe; Rondelle	1	20404	
14	Spinner Spinnare; Lenkfleier; Poignée volant	1	141840	
15	Steering wheel(D = 110 mm) Ratt; Lenkrad; Volant	1	135457	
16	Locking ring Spårring; Schliessring; Circlip	1	20009	
17	O-ring O-ring; O-ring; Joint torique	1	20620	
18	Ball bearing Kullager; Kugellager; Roulement a billes	1	28300	
19	Bearing bracket Lagerhållare; Lagerhalten; Support de roulement	1	135461	
20	Locking ring Spårring; Schliessring; Circlip	1	20008	
21	Screw Skruv; Schraube; Vis	8	21437	
22	Motor Motor; Motor; Moteur	1	145287	
23	O-ring O-ring; O-ring; Joint torique	1	29389	
24	Screw Skruv; Schraube; Vis	1	22803	
25	Driver Medbringare; Kupplung.; Couplement	1	138688	
26	Handle Handtag; Handgriff; Poignée.	1	152837	
27	Screw Skruv; Schraube; Vis	2	20750	
28	Bellows Bålg; Balg; Soufflet	1	151474-002	
29	House Kåpa; Haus; Chape	1	185687	
30	Frame Ram; Rahmen; Cadre	1	185832	
31	Plate Plåt; Platte; Plaque	1	185614	
32	Screw Skruv; Schraube; Vis	7	29918	
33	Nut Mutter; Mutter; Ecrou	7	29917	
34	Locking ring Spårring; Schliessring; Circlip	1	20019	
35	Washer Bricka; Scheibe; Rondelle	1	20013	
36	Bush Bussning; Bague; Bague	1	23594	
37	Consol Konsol; Konsole; Console	1	185609	
38	Washer Bricka; Scheibe; Rondelle	1	185668	
39	Nut Mutter; Mutter; Ecrou	1	20777	
40	Gas suspension Gasfjäder; Gasfederung; Suspension à gaz	1	185686	
42	Lever Spak; Hebel; Levier	1	29943	

5330-015



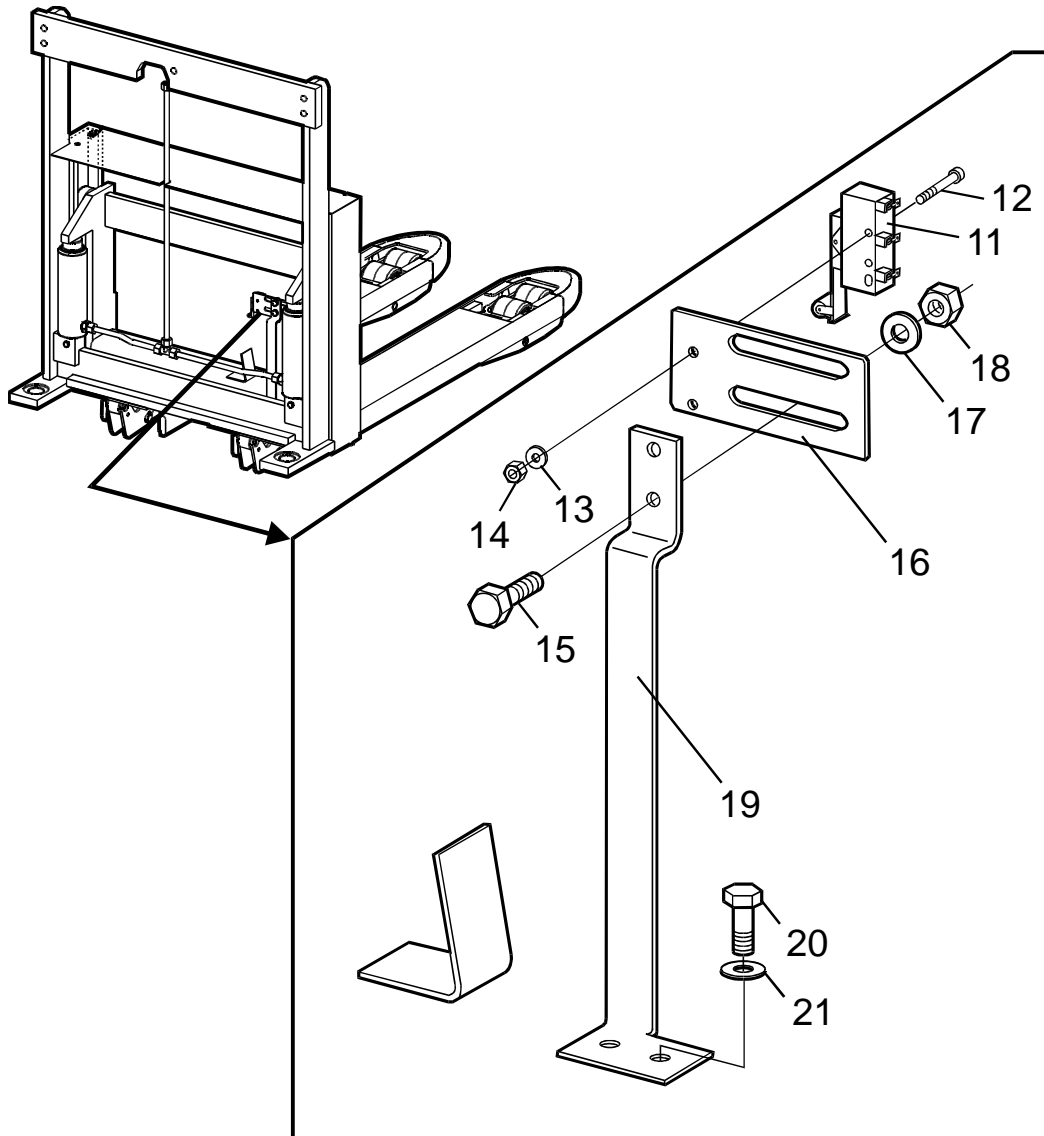
5330-015 Speed controls

Fartreglage; Geschwindigkeitsregle / Schalter; Regulateur de vitesse

[1996-10-01]

			373 SPT 2.0	292169 -
Pos	Description	Pcs	Part No	Note
01	Switch Brytare; Schalter; Rupteur	1	153246	
11	Bracket Fäste; Halterung; Support	1	185778	
12	Screw Skruv; Schraube; Vis	2	29918	
13	Nut Mutter; Mutter; Ecrou	2	21094	
14	Screw Skruv; Schraube; Vis	2	20538	
15	Washer Bricka; Scheibe; Rondelle	2	22417	

5750-057

**5750-057 Safety / position / switches / sensors**

[1997-11-20]

Skydds-/läges-/brytare/givare; Schutz- / Positions- / Schalter / Geber; Capteur securite

Pos	Description	Pcs	Part No	Note
			373 SPT 2.0	301538 -
11	Micro switch Mikrobrytare; Mikroschalter; Interrupteurs	1	21811	
12	Screw Skruv; Schraube; Vis	2	20720	
13	Washer Bricka; Scheibe; Rondelle	2	22417	
14	Nut Mutter; Mutter; Ecrou	2	20255	
15	Screw Skruv; Schraube; Vis	2	21935	
16	Bracket Fäste; Halterung; Support	1	145314	
17	Washer Bricka; Scheibe; Rondelle	2	20404	
18	Nut Mutter; Mutter; Ecrou	2	20081	
19	Bracket Fäste; Halterung; Support	1	159269	
20	Screw Skruv; Schraube; Vis	2	20078	

CLICK HERE TO **DOWNLOAD** THE COMPLETE MANUAL

- Thank you very much for reading the preview of the manual.
- You can download the complete manual from: www.heydownloads.com by clicking the link below



- Please note: If there is no response to CLICKING the link, please download this PDF first and then click on it.

CLICK HERE TO **DOWNLOAD** THE COMPLETE MANUAL