

Quality Parts

RSS 1350 SE / RSF 1350 SE / RSS 1600 SE / RSF 1600 SE

Valid for machine number..... 250879AA-269971AA

Only valid for machine number.....

--	--	--	--	--	--	--	--	--

Ordering number 142343

Date 1995-03-24 / ITS / ESIF

Language..... GB; SE; DE; FR

CLICK HERE TO **DOWNLOAD** THE COMPLETE MANUAL

- Thank you very much for reading the preview of the manual.
- You can download the complete manual from: www.heydownloads.com by clicking the link below



- Please note: If there is no response to CLICKING the link, please download this PDF first and then click on it.

CLICK HERE TO **DOWNLOAD** THE COMPLETE MANUAL

0450-002 Motor fixing points

[1993-08-31]

Motorupphängning/-fästen; Motoraufhängung/Halterung; Points de fixation moteur

Pos	Description	Pcs	Part No	Note
			270 RSS 1350 SE 271 RSS 1600 SE 272 RSF 1350 SE 273 RSF 1600 SE	246652 - 266554 246652 - 266554 246652 - 266554 246652 - 266554
11	Screw Skruv; Schraube; Vis	6	21141	
12	Washer Bricka; Scheibe; Rondelle	6	21275	
13	Consol Konsol; Konsole; Console	1	136308	
14	Consol Konsol; Konsole; Console	1	136684	
15	Screw Skruv; Schraube; Vis	2	20154	
16	Nut Mutter; Mutter; Ecrou	2	20016	
17	Screw Skruv; Schraube; Vis	4	21442	
18	Nut Mutter; Mutter; Ecrou	4	20016	
19	Nut Mutter; Mutter; Ecrou	8	20016	
20	Damper Dämpare; Dämpfer; Attenteur	4	125956-099	
21	Bracket Fäste; Halterung; Support	1	136825	
22	Bracket Fäste; Halterung; Support	1	136822	
23	Screw Skruv; Schraube; Vis	2	20532	
24	Nut Mutter; Mutter; Ecrou	2	20016	
25	Consol Konsol; Konsole; Console	1	139320	
26	Screw Skruv; Schraube; Vis	4	20250	
27	Washer Bricka; Scheibe; Rondelle	4	20236	

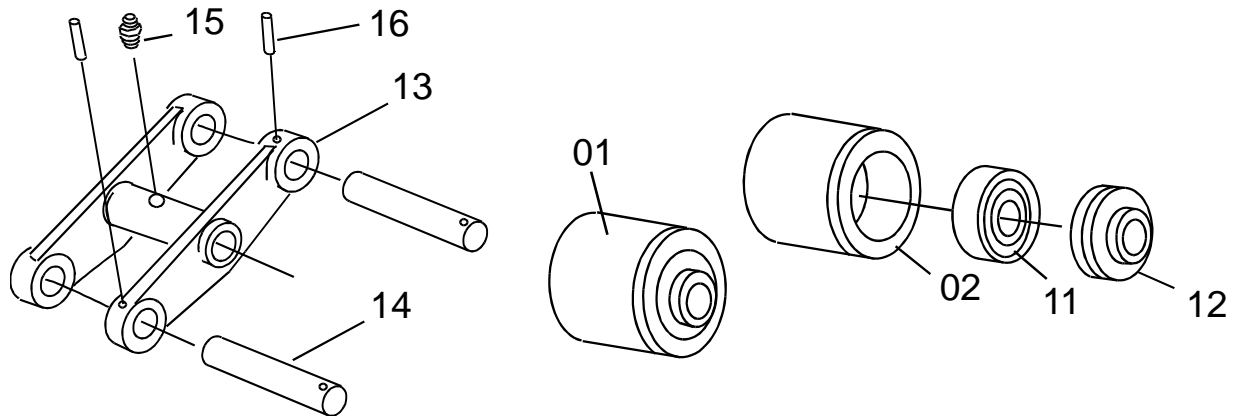
0680-001 Internal fittings

[1997-02-24]

Inredningsdetaljer; Einrichtungsteile; Accessoires intérieurs

Pos	Description	Pcs	Part No	Note
			270 RSS 1350 SE 271 RSS 1600 SE 272 RSF 1350 SE 273 RSF 1600 SE	246652 - 269971 246652 - 269971 246652 - 269971 246652 - 269971
11	Panel Panel; Paneel; Panneau	1	137464	
12	Screw Skruv; Schraube; Vis	1	29530	
13	Washer Bricka; Scheibe; Rondelle	1	21672	
14	Nut Mutter; Mutter; Ecrou	1	20235	
15	Panel Panel; Paneel; Panneau	1	136304	
16	Cushion Dyna; Kissen; Coussin	1	133302	
17	Bracket Fäste; Halterung; Support	1	134067	
18	Panel Panel; Paneel; Panneau	1	136306	
19	Screw Skruv; Schraube; Vis	2	28511	
20	Washer Bricka; Scheibe; Rondelle	1	42993	
21	Nut Mutter; Mutter; Ecrou	1	20081	
22	Panel Panel; Paneel; Panneau	1	138230	
23	Lamina Platta; Platten; Platine	1	139019	
24	Plug Plugg; Pfropf; Bouchon	2	139240-222	
25	Washer Bricka; Scheibe; Rondelle	2	42993	
26	Nut Mutter; Mutter; Ecrou	2	20081	
27	Plate Plåt; Platte; Plaque	1	137460	
28	Nut Mutter; Mutter; Ecrou	1	24938	
29	Lamina Platta; Platten; Platine	1	139020	
30	Panel Panel; Paneel; Panneau	1	136305	
31	Washer Bricka; Scheibe; Rondelle	2	100231	
32	List(Meter) List(Meter); Leiste(Meter); Bande(Metre)		21762	
33	List(Meter) List(Meter); Leiste(Meter); Bande(Metre)		26235	

3550-002



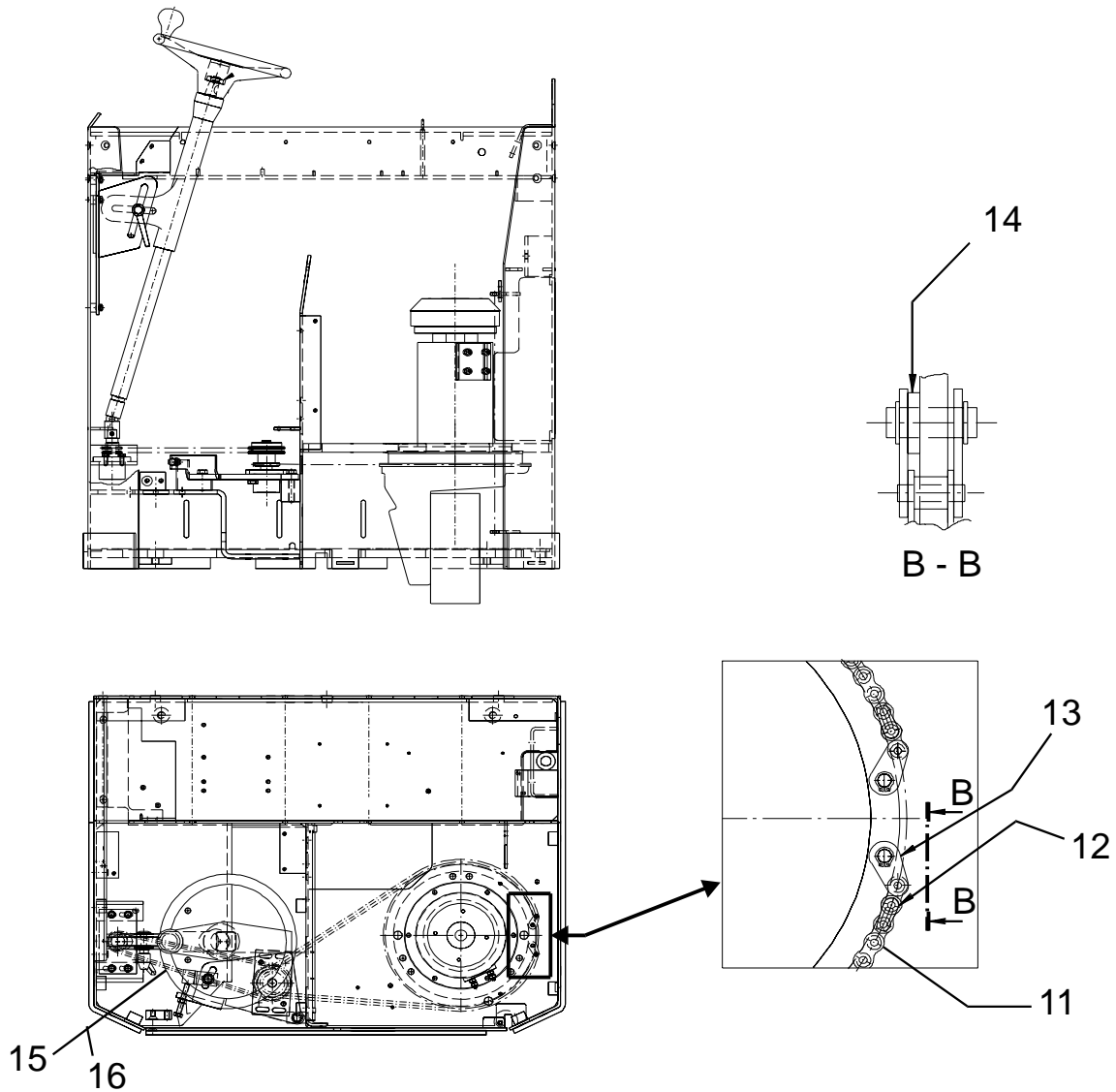
3550-002 Fork/support arm wheels

[1996-08-06]

Gaffel-/stödbenshjul; Gabel-/Stützarmrollen; Roues bras-support

Pos	Description	Pcs	Part No	Note
			272 RSF 1350 SE 273 RSF 1600 SE	250879 - 269971 250879 - 269971
01	Wheel complete(bogie wheel vulkollan) Hjul komplett(boggiehjul vulkollan); Rad komplett(Boggirad Vulkollan); Roue complete(roue bogie vulkollan)	4	10099	
02	Wheel(Vulkollan) Hjul; Rad; Roue	4	31077	
11	Ball bearing Kullager; Kugellager; Roulement a billes	8	20023	
12	Sealing Tätning; Dichtung; Joint	8	20905	
13	Bogie fork Boggigaffel; Boggigabel; Fourchebogie	2	130653	
14	Axle Axel; Achse; Axe	4	30046	
14	Axle(Stainless Steel) Axel(Rostfri); Achse(Nichtrostende); Axe(Inoxydable)	4	32789	
15	Greasing nipple Smörjnippel; Smiernippel; Graisseur	2	27662	
16	Locking pin Spännstift; Spannstift; Goupille	4	22128	

4170-001



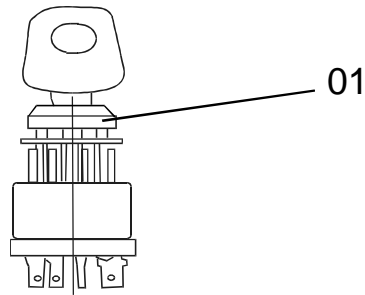
4170-001 Steering Chain / linkage / wire

[1993-08-04]

Styrkedja/-länkar, wire; Steuerkette/-gelenke/-stahlseil; Chaîne de direction, câble, fixation

Pos	Description	Pcs	Part No	Note
			270 RSS 1350 SE 271 RSS 1600 SE 272 RSF 1350 SE 273 RSF 1600 SE	246652 - 269971 246652 - 269971 246652 - 269971 246652 - 269971
11	Chain Kedja; Ketten; Chaîne	1	138219	
12	Chain lock Kedjelås; Kettenschloss; Arret de chaîne	2	26011	
13	End link washer Ändlänksbricka; Endgelenkscheibe; Mailon terminal	2	27876	
14	Washer Bricka; Scheibe; Rondelle	2	22553	
15	Chain Kedja; Ketten; Chaîne	1	138217	
16	Chain lock Kedjelås; Kettenschloss; Arret de chaîne	1	21500	

5310-003



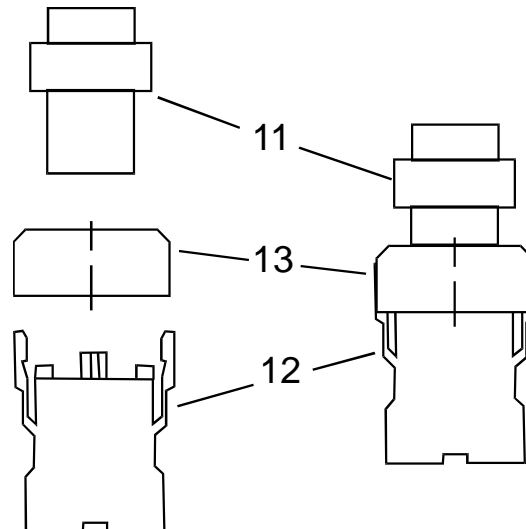
5310-003 Start/stop switch

[1996-05-21]

Start/stopströmställare; Schalter Fahren/Anhalten; Interrupteur (coupe-circuit) démarrage/arrêt

Pos	Description	Pcs	Part No	Note
01	Ignition switch Startlås; Zündschloss; Contact-démarrreur	1	28555	

5320-001



5320-001 Travel direction switch (separate)

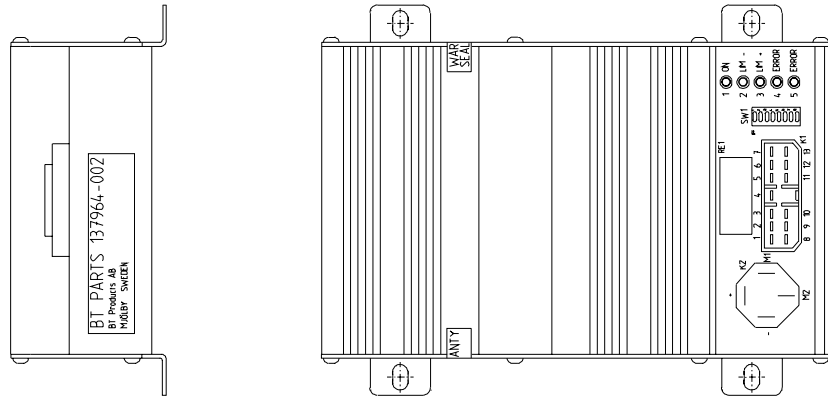
[1993-08-24]

Riktningsväljare (separat); Richtungsschalter (separat); Sélecteur de direction (séparé)

Pos	Description	Pcs	Part No	Note
11	Push-button(Arrow) Tryckknapp(Pil); Druckknopf(Pfeil); Bouton(Flèche)	2	138608	
12	Contact device Kontaktblock; Kontakteinheit; Unite de contact	2	133423	
13	Bracket Fäste; Halterung; Support	2	133419	

5460-003

01



5460-003 Transistor panel

[1997-02-27]

Transistorpanel ; Transistorpanel; Panneau transistor

Pos	Description	Pcs	Part No	Note
			270 RSS 1350 SE	246652 - 259578
			271 RSS 1600 SE	246652 - 259578
			272 RSF 1350 SE	246652 - 259578
			273 RSF 1600 SE	246652 - 259578
01	Transistor controller Transistorregulator; Transistorregulator; Regulateur des transistors	1	137964-002	

Quality Parts

5750-002

Pos	Description	Pcs	Part No	Note
24	Pedal Pedal; Pedal; Pédale	1	138712	

CLICK HERE TO **DOWNLOAD** THE COMPLETE MANUAL

- Thank you very much for reading the preview of the manual.
- You can download the complete manual from: www.heydownloads.com by clicking the link below



- Please note: If there is no response to CLICKING the link, please download this PDF first and then click on it.

CLICK HERE TO **DOWNLOAD** THE COMPLETE MANUAL

6120-005 Hoses and pipes, connection, fixation

[1997-02-24]

Rör-/slangedning, koppl., fastsättning; Rohr/Schlauch/Verschraubung. befestig.; Tuyaux / flexibles raccords

Pos	Description	Pcs	Part No	Note
			270 RSS 1350 SE 271 RSS 1600 SE 272 RSF 1350 SE 273 RSF 1600 SE	246652 - 269971 246652 - 269971 246652 - 269971 246652 - 269971
11	Hose Slang; Schlauch; Tuyau flexible	1	137910	
12	Hose Slang; Schlauch; Tuyau flexible	1	137911	
13	Connector unit Kopplingsstycke; Kupplungsstück; Raccordement	1	136827	
14	Screw Skruv; Schraube; Vis	2	20871	
15	Washer Bricka; Scheibe; Rondelle	2	21351	
16	Hose Slang; Schlauch; Tuyau flexible	1	137908	
17	Hose Slang; Schlauch; Tuyau flexible	1	137909	
18	Clamp Klamma; Rohrschelle; Collier	4	29534	
19	Screw Skruv; Schraube; Vis	4	21708	
20	Washer Bricka; Scheibe; Rondelle	4	20375	
21	Connection Koppling; Kupplung; Raccord	8	28780	
22	Connection Koppling; Kupplung; Raccord	2	28971	
23	Hose Slang; Schlauch; Tuyau flexible	1	137820	
24	Hose Slang; Schlauch; Tuyau flexible	1	135302	
25	Hydraulic lock Hydraullås; Hydraulikschloss; Verrouillage hydraulique	1	139452	
26	Connection Koppling; Kupplung; Raccord	1	28971	
27	Connection Koppling; Kupplung; Raccord	1	28780	

6120-013 Hoses and pipes, connection, fixation

[1994-04-12]

Rör-/slangedning, koppl., fastsättning; Rohr/Schlauch/Verschraubung, befestig.; Tuyaux / flexibles raccords

Triplex Hi - Lo		271 RSS 1600 SE 273 RSF 1600 SE	250879 - 269971 250879 - 269971	
Pos	Description	Pcs	Part No	Note
11	Connection Koppling; Kupplung; Raccord	1	28804	
12	Pipe Rör; Rohr; Tube	1	105426-440	
12	Pipe Rör; Rohr; Tube	1	105426-480	
12	Pipe Rör; Rohr; Tube	1	105426-540	
12	Pipe Rör; Rohr; Tube	1	105426-570	
12	Pipe Rör; Rohr; Tube	1	105426-630	
13	Connection Koppling; Kupplung; Raccord	2	21994	
14	Hose(Meter) Slang(Meter); Schlauch(Meter); Tuyau flexible(Metre)		28108	
15	Hose Slang; Schlauch; Tuyau flexible	1	135573-440	
15	Hose Slang; Schlauch; Tuyau flexible	1	135573-480	
15	Hose Slang; Schlauch; Tuyau flexible	1	135573-540	
15	Hose Slang; Schlauch; Tuyau flexible	1	135573-570	
15	Hose Slang; Schlauch; Tuyau flexible	1	135573-630	
16	Connector unit Kopplingsstycke; Kupplungsstück; Raccordement	1	101292	
17	Connection Koppling; Kupplung; Raccord	1	28781	
18	Connection Koppling; Kupplung; Raccord	1	28804	
19	Connection Koppling; Kupplung; Raccord	1	28804	
20	Pipe Rör; Rohr; Tube	1	105431	
21	Connection Koppling; Kupplung; Raccord	2	29532	
22	Connection Koppling; Kupplung; Raccord	1	28804	
24	Pipe Rör; Rohr; Tube	1	105430	
25	Connection Koppling; Kupplung; Raccord	1	28797	
26	Bracket Fäste; Halterung; Support	1	101425	
27	Clamp Klamma; Rohrschelle; Collier	1	20393	
28	Clamp Klamma; Rohrschelle; Collier	1	20453	
29	Clamp Klamma; Rohrschelle; Collier	1	101417	
30	Screw Skruv; Schraube; Vis	1	20188	
31	Clamp Klamma; Rohrschelle; Collier	2	105386	
32	Screw Skruv; Schraube; Vis	4	20259	
33	Washer Bricka; Scheibe; Rondelle	4	21351	

6120-119 Hoses and pipes, connection, fixation

[1998-05-26]

Rör-/slangledning, koppl., fastsättning; Rohr/Schlauch/Verschraubung, befestig.; Tuyaux / flexibles raccords

Duplex Hi - Lo		271	RSS 1600 SE	259587 - 269971
		273	RSF 1600 SE	259587 - 269971
Pos	Description	Pcs	Part No	Note
11	Screw Skruv; Schraube; Vis	1	25065	
12	Sealing ring Tätningring; Dichtungsring; Bague d'étanchéité	1	20517	
13	Connector unit Kopplingsstycke; Kupplungsstück; Raccordement	1	101292	
14	Connection Koppling; Kupplung; Raccord	3	28804	
15	Pipe Rör; Rohr; Tube	1	105431	
16	Connection Koppling; Kupplung; Raccord	2	29532	
17	Pipe Rör; Rohr; Tube	1	105430	
18	Connection Koppling; Kupplung; Raccord	1	28804	
19	Pipe Rör; Rohr; Tube	1	139997	
20	Connection Koppling; Kupplung; Raccord	1	29532	
21	Connection Koppling; Kupplung; Raccord	1	140593	
22	Washer Bricka; Scheibe; Rondelle	1	126723-010	
23	Connection Koppling; Kupplung; Raccord	2	21994	
24	Hose(Meter) Slang(Meter); Schlauch(Meter); Tuyau flexible(Metre)		28108	
25	Air bleeder Luftventil; Luftnippel; Soupape (air)	1	24325	
26	Connection Koppling; Kupplung; Raccord	1	143770	
27	Washer Bricka; Scheibe; Rondelle	1	126723-010	

Quality Parts

7120-001

Pos	Description	Pcs	Part No	Note
60	Anchor bolt Fästbult; Ankerbolzen; Boulon de fixation	2	100839	
61	Washer Bricka; Scheibe; Rondelle	8	20404	
62	Cotter pin Saxpinne; Gespalter stift; Goupille fendue	8	21445	
63	Chain bolt Kedjebult; Kettenbolzen; Tourillon de chaine	4	105814	
64	Axle Axel; Achse; Axe	1	105392	
65	Screw Skruv; Schraube; Vis	1	23006	
66	Washer Bricka; Scheibe; Rondelle	1	20236	

Pos	Description	Pcs	Part No	Note
17	Axle Axel; Achse; Axe	2	137853	
18	Screw Skruv; Schraube; Vis	2	23006	
19	Washer Bricka; Scheibe; Rondelle	2	20236	
20	Consol Konsol; Konsole; Console	1	137849	
21	Screw Skruv; Schraube; Vis	1	28708	
22	Washer Bricka; Scheibe; Rondelle	1	126723-006	
23	Locking pin Spännstift; Spannstift; Goupille	1	20227	
24	Roller(69,95 mm) Rulle; Rolle; Roleau		139126	B = One identification groove B = Ett idifieringsspår; B = Ein identifizierung nut; B = 1 identification rainure
24	Roller(70,4 mm) Rulle; Rolle; Roleau		139127	
25	Shim(25x35x0,1 mm) Shims; Schim; Cale		26471	
25	Shim(25x35x0,3 mm) Shims; Schim; Cale		26472	
25	Shim(25x35x0,5 mm) Shims; Schim; Cale		26473	
25	Shim(25x35x1 mm) Shims; Schim; Cale		29585	
26	Lifting chain complete(L = 667 mm) Lyftkedja komplett; Hubkette Komplett; Chaîne d'élévation complet	1	140586-235	
26	Lifting chain complete(L = 933 mm) Lyftkedja komplett; Hubkette Komplett; Chaîne d'élévation complet	1	140586-290	
26	Lifting chain complete(L = 1162 mm) Lyftkedja komplett; Hubkette Komplett; Chaîne d'élévation complet	1	140586-335	
26	Lifting chain complete(L = 1391 mm) Lyftkedja komplett; Hubkette Komplett; Chaîne d'élévation complet	1	140586-375	
26	Lifting chain complete(L = 1581 mm) Lyftkedja komplett; Hubkette Komplett; Chaîne d'élévation complet	1	140586-415	
27	Chain bolt Kedjebult; Kettenbolzen; Tourillon de chaîne	2	105381	
28	Chain bolt Kedjebult; Kettenbolzen; Tourillon de chaîne	2	105814	
29	Cotter pin Saxpinne; Gespalter stift; Goupille fendue	4	21445	
30	Washer Bricka; Scheibe; Rondelle	4	20404	
31	Nut Mutter; Mutter; Erou	2	20006	
32	Nut Mutter; Mutter; Erou	2	20528	
33	Cotter pin Saxpinne; Gespalter stift; Goupille fendue	2	20312	
34	Screw Skruv; Schraube; Vis	4	22335	
35	Washer Bricka; Scheibe; Rondelle	4	29588	

Quality Parts

7310-006

Pos	Description	Pcs	Part No	Note
03	Cylinder pipe Cylinderrör; Zylinderrohr; Tube de cylindre	1	139975-290	
03	Cylinder pipe Cylinderrör; Zylinderrohr; Tube de cylindre	1	139975-335	
03	Cylinder pipe Cylinderrör; Zylinderrohr; Tube de cylindre	1	139975-375	
03	Cylinder pipe Cylinderrör; Zylinderrohr; Tube de cylindre	1	139975-415	
04	Piston Kolv; Kolben; Piston	1	120494	
05	Piston rod Kolvstång; Kolbenstange; Tige de piston	1	139977-235	
05	Piston rod Kolvstång; Kolbenstange; Tige de piston	1	139977-290	
05	Piston rod Kolvstång; Kolbenstange; Tige de piston	1	139977-335	
05	Piston rod Kolvstång; Kolbenstange; Tige de piston	1	139977-375	
05	Piston rod Kolvstång; Kolbenstange; Tige de piston	1	139977-415	
11	Cylinder top Cylindertopp; Zylinderkopf; Culasse	1	125199	
12	Scraper Avskrapare; Abkratzer; Segment racleur	1	20749	
13	Guide Styrning; Steuerung; Guidage	1	101301	
14	U-ring Spåringsmanchett; Schliesringsmanchette; Joint en U	1	27196	
15	Sleeve Hylsa; Hülse; Douille	1	137901	
16	Guide Styrning; Steuerung; Guidage	1	27195	
17	U-ring Spåringsmanchett; Schliesringsmanchette; Joint en U	1	21967	
18	Restriction valve Sänkbromsventil; Drosselventil; Soupape de reduction	1	24154	
19	Washer Bricka; Scheibe; Rondelle	4	21393	
20	Screw Skruv; Schraube; Vis	4	28308	
21	Shim(0,5 mm) Shims; Schim; Cale		120531	
22	Shim(1 mm) Shims; Schim; Cale		105454	
23	Screw Skruv; Schraube; Vis	2	28709	
24	Washer Bricka; Scheibe; Rondelle	2	126723-004	
25	Locking pin Spännstift; Spannstift; Goupille	2	21316	
26	Stop screw Stoppskruv; Einstellschraube; Vis de arretoire	2	21346	
27	Bracket Fäste; Halterung; Support	2	120492	
28	Washer Bricka; Scheibe; Rondelle	4	20404	
29	Screw Skruv; Schraube; Vis	4	21935	

Quality Parts

7310-023

Pos	Description	Pcs	Part No	Note
03	Cylinder pipe Cylinderrör; Zylinderrohr; Tube de cylindre	2	120497-480	
03	Cylinder pipe Cylinderrör; Zylinderrohr; Tube de cylindre	2	120497-540	
03	Cylinder pipe Cylinderrör; Zylinderrohr; Tube de cylindre	2	120497-570	
03	Cylinder pipe Cylinderrör; Zylinderrohr; Tube de cylindre	2	120497-630	
04	Piston Kolv; Kolben; Piston	2	120494	
05	Piston rod Kolvstång; Kolbenstange; Tige de piston	2	120495-440	
05	Piston rod Kolvstång; Kolbenstange; Tige de piston	2	120495-480	
05	Piston rod Kolvstång; Kolbenstange; Tige de piston	2	120495-540	
05	Piston rod Kolvstång; Kolbenstange; Tige de piston	2	120495-570	
05	Piston rod Kolvstång; Kolbenstange; Tige de piston	2	120495-630	
11	Cylinder top Cylindertopp; Zylinderkopf; Culasse	2	125199	
12	Scraper Avskrapare; Abkratzer; Segment racleur	2	20749	
13	Guide Styrning; Steuerung; Guidage	2	101301	
14	U-ring Spårringsmanchett; Schliesringsmanchette; Joint en U	2	27196	
15	Sleeve Hylsa; Hülse; Douille	2	137901	
16	Guide Styrning; Steuerung; Guidage	2	27195	
17	U-ring Spårringsmanchett; Schliesringsmanchette; Joint en U	1	21967	
18	Valve Ventil; Ventil; Soupape	1	29774	
19	Screw Skruv; Schraube; Vis	4	29778	
20	Washer Bricka; Scheibe; Rondelle	4	126723-004	
21	Shim(0,5 mm) Shims; Schim; Cale	4	120531	
22	Shim(1 mm) Shims; Schim; Cale	4	105454	
23	Screw Skruv; Schraube; Vis	4	28709	
24	Washer Bricka; Scheibe; Rondelle	4	126723-004	
25	Locking pin Spännstift; Spannstift; Goupille	2	21316	
26	Bracket Fäste; Halterung; Support	2	120492	
27	Washer Bricka; Scheibe; Rondelle	4	20404	
28	Screw Skruv; Schraube; Vis	4	21935	

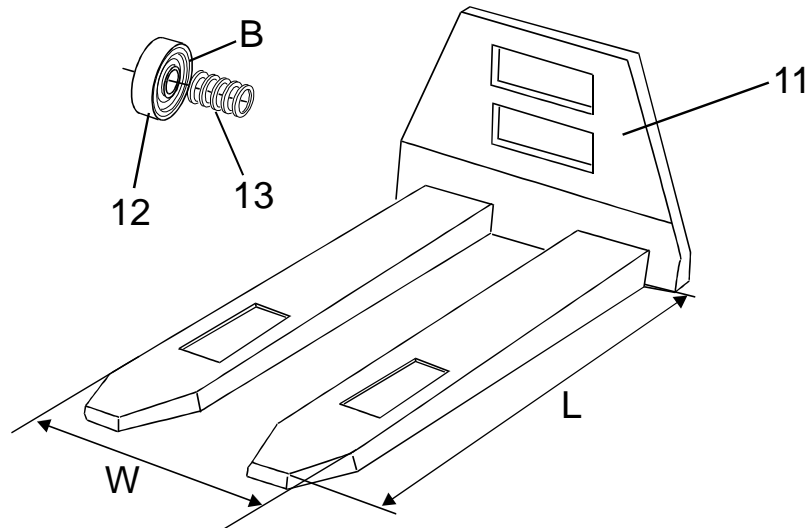
7340-002 Free initial lift cylinder

[1996-05-10]

Fri-/initiallyftcylinder; Zylinder Frei- / initialhub; Verins de levage initial et libre

Duplex Hi - Lo		271 RSS 1600 SE 273 RSF 1600 SE	250879 - 269971 250879 - 269971	
Pos	Description	Pcs	Part No	Note
01	Cylinder compl.(L = 775, M = 578) Cylinder kompl.; Zylinder kompl.; Verin compl.	1	139985-235	
01	Cylinder compl.(L = 912, M = 715) Cylinder kompl.; Zylinder kompl.; Verin compl.	1	139985-290	
01	Cylinder compl.(L = 1025, M = 828) Cylinder kompl.; Zylinder kompl.; Verin compl.	1	139985-335	
01	Cylinder compl.(L = 1125, M = 928) Cylinder kompl.; Zylinder kompl.; Verin compl.	1	139985-375	
01	Cylinder compl.(L = 1225, M = 1028) Cylinder kompl.; Zylinder kompl.; Verin compl.	1	139985-415	
02	Packing set Packningssats; Packungssatz; Jeux d' étanchéité.	1	150236	
03	Cylinder pipe Cylinderrör; Zylinderrohr; Tube de cylindre	1	139986-235	
03	Cylinder pipe Cylinderrör; Zylinderrohr; Tube de cylindre	1	139986-290	
03	Cylinder pipe Cylinderrör; Zylinderrohr; Tube de cylindre	1	139986-335	
03	Cylinder pipe Cylinderrör; Zylinderrohr; Tube de cylindre	1	139986-375	
03	Cylinder pipe Cylinderrör; Zylinderrohr; Tube de cylindre	1	139986-415	
04	Piston Kolv; Kolben; Piston	1	101282	
05	Piston rod Kolvstång; Kolbenstange; Tige de piston	1	139988-235	
05	Piston rod Kolvstång; Kolbenstange; Tige de piston	1	139988-290	
05	Piston rod Kolvstång; Kolbenstange; Tige de piston	1	139988-335	
05	Piston rod Kolvstång; Kolbenstange; Tige de piston	1	139988-375	
05	Piston rod Kolvstång; Kolbenstange; Tige de piston	1	139988-415	
11	Scraper Avskrapare; Abkratzer; Segment racleur	1	20749	
12	Guide Styrning; Steuerung; Guidage	1	101301	
13	Cylinder top Cylindertopp; Zylinderkopf; Culasse	1	101293	
14	Stay ring Stödring; Stutzring; Anneau de support	1	26914	
15	U-ring Spärringsmanchett; Schliesringsmanchette; Joint en U	1	29823	
16	O-ring O-ring; O-ring; Joint torique	1	20386	
17	Locking ring Spärring; Schliessring; Circlip	1	20019	
18	Valve Ventil; Ventil; Soupape	1	27182	
19	Air bleeder Luftventil; Luftnippel; Soupape (air)	1	24325	
20	Screw Skruv; Schraube; Vis	2	20996	

7420-004



7420-004 Fork carriage unit

Gaffelvagn; Gabelwagen; Unite chariot porte-fourches

[1996-08-06]

Duplex Hi - Lo		270	RSS 1350 SE	250879 - 269971
		272	RSF 1350 SE	250879 - 269971
Pos	Description	Pcs	Part No	Note
11	Fork carriage(L = 600 mm, W = 520 mm) Gaffelvagn; Gabelwagen; Chariot porte-fourche	1	140615-101	
11	Fork carriage(L = 650 mm, W = 520 mm) Gaffelvagn; Gabelwagen; Chariot porte-fourche	1	140615-102	
11	Fork carriage(L = 700 mm, W = 520 mm) Gaffelvagn; Gabelwagen; Chariot porte-fourche	1	140615-103	
11	Fork carriage(L = 750 mm, W = 520 mm) Gaffelvagn; Gabelwagen; Chariot porte-fourche	1	140615-104	
11	Fork carriage(L = 800 mm, W = 520 mm) Gaffelvagn; Gabelwagen; Chariot porte-fourche	1	140615-105	
11	Fork carriage(L = 850 mm, W = 520 mm) Gaffelvagn; Gabelwagen; Chariot porte-fourche	1	140615-106	
11	Fork carriage(L = 900 mm, W = 520 mm) Gaffelvagn; Gabelwagen; Chariot porte-fourche	1	140615-107	
11	Fork carriage(L = 950 mm, W = 520 mm) Gaffelvagn; Gabelwagen; Chariot porte-fourche	1	140615-108	
11	Fork carriage(L = 1000 mm, W = 520 mm) Gaffelvagn; Gabelwagen; Chariot porte-fourche	1	140615-109	
11	Fork carriage(L = 1050 mm, W = 520 mm) Gaffelvagn; Gabelwagen; Chariot porte-fourche	1	140615-110	
11	Fork carriage(L = 1100 mm, W = 520 mm) Gaffelvagn; Gabelwagen; Chariot porte-fourche	1	140615-111	
11	Fork carriage(L = 1150 mm, W = 520 mm) Gaffelvagn; Gabelwagen; Chariot porte-fourche	1	140615-112	
11	Fork carriage(L = 1300 mm, W = 520 mm) Gaffelvagn; Gabelwagen; Chariot porte-fourche	1	140615-113	
11	Fork carriage(L = 1400 mm, W = 520 mm) Gaffelvagn; Gabelwagen; Chariot porte-fourche	1	140615-114	
11	Fork carriage(L = 1500 mm, W = 520 mm) Gaffelvagn; Gabelwagen; Chariot porte-fourche	1	140615-115	
11	Fork carriage(L = 1600 mm, W = 520 mm) Gaffelvagn; Gabelwagen; Chariot porte-fourche	1	140615-116	
11	Fork carriage(L = 1700 mm, W = 520 mm) Gaffelvagn; Gabelwagen; Chariot porte-fourche	1	140615-117	
11	Fork carriage(L = 1850 mm, W = 520 mm) Gaffelvagn; Gabelwagen; Chariot porte-fourche	1	140615-118	
11	Fork carriage(L = 600 mm, W = 570 mm) Gaffelvagn; Gabelwagen; Chariot porte-fourche	1	140615-201	
11	Fork carriage(L = 650 mm, W = 570 mm) Gaffelvagn; Gabelwagen; Chariot porte-fourche	1	140615-202	

CLICK HERE TO **DOWNLOAD** THE COMPLETE MANUAL

- Thank you very much for reading the preview of the manual.
- You can download the complete manual from: www.heydownloads.com by clicking the link below



- Please note: If there is no response to CLICKING the link, please download this PDF first and then click on it.

CLICK HERE TO **DOWNLOAD** THE COMPLETE MANUAL