

## Quality Parts

RSL 2000 SE

Valid for machine number..... 246652AA-255561AA

Only valid for machine number..... 

--	--	--	--	--	--	--	--	--

Ordering number ..... 139329

Date ..... 1994-03-15 / ITS / ESIF

Language..... GB; SE; DE; FR

CLICK HERE TO **DOWNLOAD** THE COMPLETE MANUAL

- Thank you very much for reading the preview of the manual.
- You can download the complete manual from: [www.heydownloads.com](http://www.heydownloads.com) by clicking the link below



- Please note: If there is no response to CLICKING the link, please download this PDF first and then click on it.

CLICK HERE TO **DOWNLOAD** THE COMPLETE MANUAL

Pos	Description	Pcs	Part No	Note
01	Fork carriage complete(L = 1450mm, B = 450mm) Gaffelvagn komplett; Gabelvagen Komplett; Chariot porte-fourche complet	1	72369-145	
01	Fork carriage complete(L = 1520mm, B = 450mm) Gaffelvagn komplett; Gabelvagen Komplett; Chariot porte-fourche complet	1	72369-152	
01	Fork carriage complete(L = 1850mm, B = 450mm) Gaffelvagn komplett; Gabelvagen Komplett; Chariot porte-fourche complet	1	72369-185	
01	Fork carriage complete(L = 2150mm, B = 450mm) Gaffelvagn komplett; Gabelvagen Komplett; Chariot porte-fourche complet	1	72369-215	
01	Fork carriage complete(L = 2350mm, B = 450mm) Gaffelvagn komplett; Gabelvagen Komplett; Chariot porte-fourche complet	1	72369-235	
03	Push rod(N = 1440) Tryckstång; Druckstange; Tringle	1	73641-001	
03	Push rod(N = 675) Tryckstång; Druckstange; Tringle	1	73641-091	
03	Push rod(N = 785) Tryckstång; Druckstange; Tringle	1	73641-102	
03	Push rod(N = 835) Tryckstång; Druckstange; Tringle	1	73641-107	
03	Push rod(N = 915) Tryckstång; Druckstange; Tringle	1	73641-115	
03	Push rod(N = 985) Tryckstång; Druckstange; Tringle	1	73641-122	
03	Push rod(N = 1040) Tryckstång; Druckstange; Tringle	1	73641-145	
03	Push rod(N = 1110) Tryckstång; Druckstange; Tringle	1	73641-152	
03	Push rod(N = 1640) Tryckstång; Druckstange; Tringle	1	73641-235	
03	Push rod(N = 1440) Tryckstång; Druckstange; Tringle	1	73642-001	
03	Push rod(N = 675) Tryckstång; Druckstange; Tringle	1	73642-091	
03	Push rod(N = 785) Tryckstång; Druckstange; Tringle	1	73642-102	
03	Push rod(N = 835) Tryckstång; Druckstange; Tringle	1	73642-107	
03	Push rod(N = 915) Tryckstång; Druckstange; Tringle	1	73642-115	
03	Push rod(N = 985) Tryckstång; Druckstange; Tringle	1	73642-122	
03	Push rod(N = 1040) Tryckstång; Druckstange; Tringle	1	73642-145	
03	Push rod(N = 1110) Tryckstång; Druckstange; Tringle	1	73642-152	
03	Push rod(N = 1640) Tryckstång; Druckstange; Tringle	1	73642-235	
06	Link(Left) Länk(Vänster); Gelenk(Links); Bras(Gauge)	1	73644	
06	Link(Right) Länk(Höger); Gelenk(Recht); Bras(Droit)	1	73645	
11	Roller(Complete) Rulle(Komplett); Rolle(Komplett); Roleau(Complet)	4	10604	
12	Roller Rulle; Rolle; Roleau	4	33399	
13	Ball bearing Kullager; Kugellager; Roulement a billes	4	20643	
14	Locking ring Spårring; Schliessring; Circlip	4	20009	
15	Sealing ring Tätningring; Dichtungsring; Bague d'étanchéité	4	20645	
16	Locking ring Spårring; Schliessring; Circlip	4	20008	

## Quality Parts

0380-006

Pos	Description	Pcs	Part No	Note
12	<b>Roller</b> Rulle; Rolle; Roleau	4	33399	
13	<b>Ball bearing</b> Kullager; Kugellager; Roulement a billes	4	20643	
14	<b>Locking ring</b> Spårring; Schliessring; Circlip	4	20009	
15	<b>Sealing ring</b> Tätningssring; Dichtungsring; Bague d'étanchéité	4	20645	
16	<b>Locking ring</b> Spårring; Schliessring; Circlip	4	20008	
17	<b>Stop screw</b> Stoppskruv; Einstellschraube; Vis de arretoire	4	45976	
18	<b>Axle</b> Axel; Achse; Axe	2	76313-002	
19	<b>Screw</b> Skruv; Schraube; Vis	2	20031	
20	<b>Washer</b> Bricka; Scheibe; Rondelle	2	21275	
21	<b>Plate</b> Plåt; Platte; Plaque	1	73432-570	
22	<b>Screw</b> Skruv; Schraube; Vis	4	20259	
23	<b>Washer</b> Bricka; Scheibe; Rondelle	4	21351	
24	<b>Axle</b> Axel; Achse; Axe	2	30025	
25	<b>Locking pin</b> Spännstift; Spannstift; Goupille	2	20001	
26	<b>Axle</b> Axel; Achse; Axe	2	46145	
27	<b>Locking pin</b> Spännstift; Spannstift; Goupille	2	20524	
28	<b>Axle</b> Axel; Achse; Axe	2	46146	
29	<b>Locking pin</b> Spännstift; Spannstift; Goupille	2	20524	
30	<b>Greasing nipple</b> Smörjnippel; Smiernippel; Graisseur	2	27662	
31	<b>Bush</b> Bussning; Bague; Bague	4	30024	
32	<b>Bush</b> Bussning; Bague; Bague	2	20843	
33	<b>Ear</b> Öra; Halter; Etrier	1	31940	
34	<b>Ear</b> Öra; Halter; Etrier	2	31939	
35	<b>Ear</b> Öra; Halter; Etrier	1	32718	
36	<b>Roller(Complete)</b> Rulle(Komplett); Rolle(Komplett); Roleau(Complet)	2	46147	
37	<b>Bush</b> Bussning; Bague; Bague	2	20843	

**0680-002 Internal fittings**

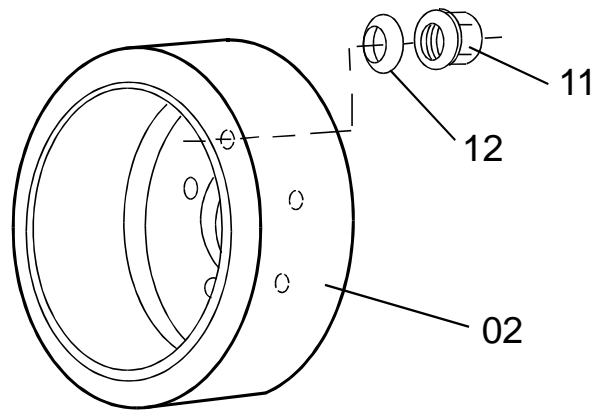
[1997-02-26]

Inredningsdetaljer; Einrichtungsteile; Accessoires intérieurs

		274 RSL 2000 SE		246652 - 269971	
Pos	Description	Pcs	Part No	Note	
11	Panel Panel; Paneel; Panneau	1	137464		
12	Screw Skruv; Schraube; Vis	1	29530		
13	Washer Bricka; Scheibe; Rondelle	1	21672		
14	Nut Mutter; Mutter; Ecrou	1	20235		
15	Panel Panel; Paneel; Panneau	1	136304		
16	Cushion Dyna; Kissen; Coussin	1	133302		
17	Bracket Fäste; Halterung; Support	1	134067		
18	Panel Panel; Paneel; Panneau	1	136306		
19	Screw Skruv; Schraube; Vis	2	28511		
20	Washer Bricka; Scheibe; Rondelle	1	42993		
21	Nut Mutter; Mutter; Ecrou	1	20081		
22	Panel Panel; Paneel; Panneau	1	138230		
25	Washer Bricka; Scheibe; Rondelle	2	42993		
26	Nut Mutter; Mutter; Ecrou	2	20081		
27	Plate Plåt; Platte; Plaque	1	137460		
28	Nut Mutter; Mutter; Ecrou	1	24938		
29	Lamina Platta; Platten; Platine	1	139020		
30	Panel Panel; Paneel; Panneau	1	136305		
31	Washer Bricka; Scheibe; Rondelle	2	100231		



3530-002

**3530-002 Drive wheel**

Drivhjul; Antriebsrad; Roue motrice

[1997-02-24]

		274 RSL 2000 SE		246652 - 269971
Pos	Description	Pcs	Part No	Note
02	Drive wheel(Vulkollan) Drivhjul; Antriebsrad; Roue entrainement	1	135161	
11	Nut Mutter; Mutter; Ecrou	5	20776	
12	Washer Bricka; Scheibe; Rondelle	5	158341	

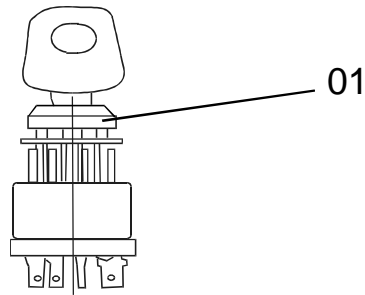
## 4120-001 Steering column/gear

[1993-05-25]

Styrrör/-axel, styrväxel; Lenksäule, Lenkgetriebe; Colonne direction et pignon

		274 RSL 2000 SE		246652 - 269971	
Pos	Description	Pcs	Part No	Note	
11	Steering arm(Complete) Styrrarm(Komplett); Lenkarm(Komplett); Bras direction(Complect)	1	133458		
12	Steering pipe bracket Styrrörsfäste; Steuerrohrbefestigung; Support de tube direction	1	133159		
13	Arm Arm; Arm; Bras	1	22754		
14	Washer Bricka; Scheibe; Rondelle	1	20228		
15	Pin Tapp; Zapfen; Pivot	1	28917		
16	Key Kil; Keil; Clavette	1	20159		
17	Axle Axel; Achse; Axe	1	132480		
18	Steering axle guide Styrrörsaxel; Lenkungsrohr; Tube de axe direction	1	130424		
19	Guide ring Styrring; Steuerring; Anneau de guidage	2	26162		
20	Locking pin Spännstift; Spannstift; Goupille	2	20104		
21	Washer Bricka; Scheibe; Rondelle	2	20882		
22	Spring Fjäder; Feder; Ressort	2	26163		
23	Pin Tapp; Zapfen; Pivot	1	130409		
24	Ball link compl. Kullänk kompl.; Kugelgelenk Kompl.; Joint à rotules compl.	1	37536		
25	Axle Axel; Achse; Axe	1	42160		
26	Key Kil; Keil; Clavette	1	20150		
27	Gear wheel Kugghjul; Zahnrad; Roue dentée	1	42161		
28	Spacer Distanshylsa; Abstandhülse; Douille entretoise	1	42162		
29	Locking ring Spårring; Schliessring; Circlip	1	20642		
30	Ball bearing Kullager; Kugellager; Roulement a billes	2	20906		
31	Housing Lagerhus; Gehäuse; Carter de roulement	1	74086		
32	Locking ring Spårring; Schliessring; Circlip	1	20509		
33	Locking ring Spårring; Schliessring; Circlip	1	20019		
34	Screw Skruv; Schraube; Vis	4	21935		
35	Washer Bricka; Scheibe; Rondelle	4	126723-012		
36	Locking ring Spårring; Schliessring; Circlip	1	20041		
37	Locking ring Spårring; Schliessring; Circlip	1	20642		
38	Ball bearing Kullager; Kugellager; Roulement a billes	2	20906		
39	Housing Lagerhus; Gehäuse; Carter de roulement	1	74086		
40	Spacer Distanshylsa; Abstandhülse; Douille entretoise	1	42162		
41	Locking ring Spårring; Schliessring; Circlip	1	20509		

## 5310-003



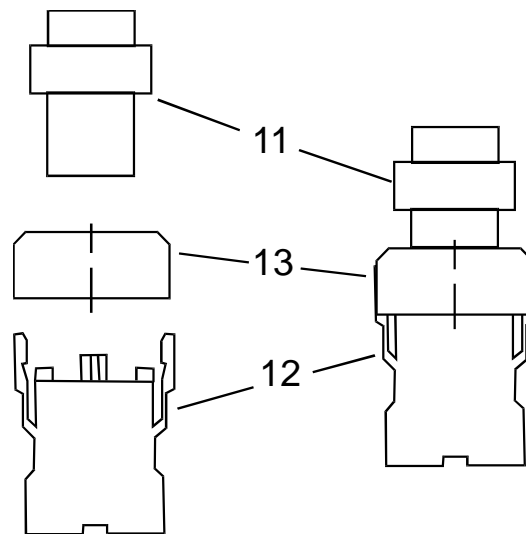
## 5310-003 Start/stop switch

[1996-05-21]

Start/stopströmställare; Schalter Fahren/Anhalten; Interrupteur (coupe-circuit) démarrage/arrêt

Pos	Description	Pcs	Part No	Note
01	Ignition switch Startlås; Zündschloss; Contact-démarreur	1	28555	

## 5320-001



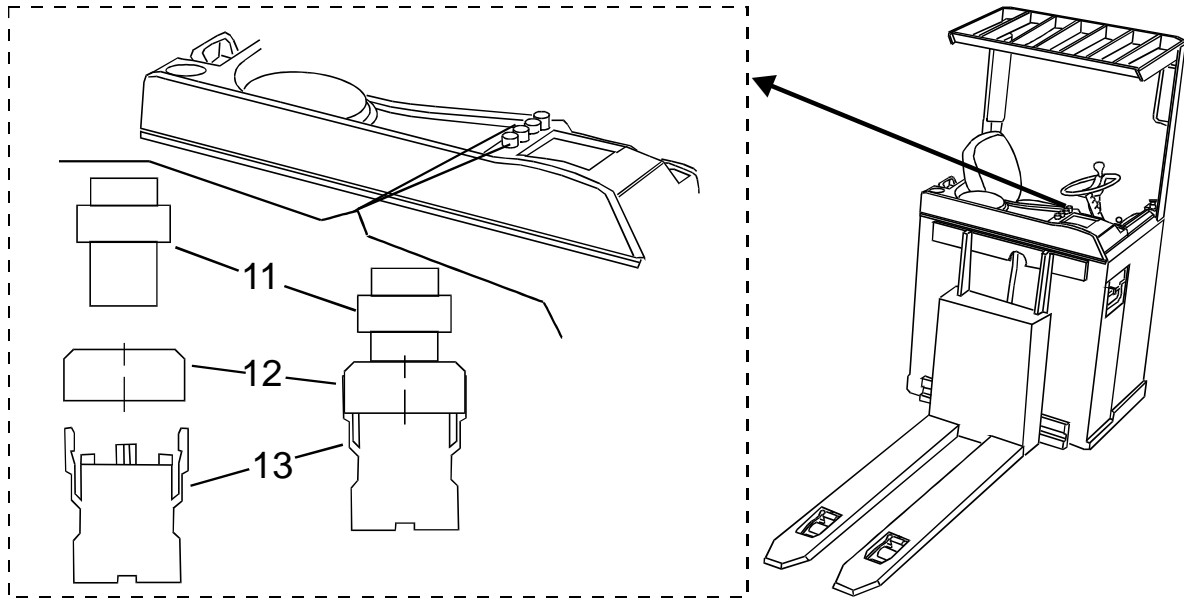
## 5320-001 Travel direction switch (separate)

[1993-08-24]

Riktningsväljare (separat); Richtungsschalter (separat); Sélecteur de direction (séparé)

Pos	Description	Pcs	Part No	Note
11	Push-button(Arrow) Tryckknapp(Pil); Druckknopf(Pfeil); Bouton(Flèche)	2	138608	
12	Contact device Kontaktblock; Kontakteinheit; Unite de contact	2	133423	
13	Bracket Fäste; Halterung; Support	2	133419	

## 5510-006



## 5510-006 Work function micro switches, potentiometers

[1997-02-26]

Arbetsfunktionsbrytare/-potentiometer; Schalter/Potentiometer Arbeitsfunktion; Rupteurs (switches)/potentiomètres

		274 RSL 2000 SE		246652 - 269971
Pos	Description	Pcs	Part No	Note
11	Push-button Tryckknapp; Druckknopf; Bouton	2	133421	
12	Bracket Fäste; Halterung; Support	2	133419	
13	Contact device Kontaktblock; Kontakteinheit; Unite de contact	2	133423	

CLICK HERE TO **DOWNLOAD** THE COMPLETE MANUAL

- Thank you very much for reading the preview of the manual.
- You can download the complete manual from: [www.heydownloads.com](http://www.heydownloads.com) by clicking the link below



- Please note: If there is no response to CLICKING the link, please download this PDF first and then click on it.

CLICK HERE TO **DOWNLOAD** THE COMPLETE MANUAL