

Quality Parts

RRE180 / RRE180C / RRE180E / RRE180EC

Valid for machine number 6051502 -

Only valid for machine number

Ordering number 262268

Date 2008-10-29 / TP / ESIF

Language..... en sv de fr

CLICK HERE TO **DOWNLOAD** THE COMPLETE MANUAL

- Thank you very much for reading the preview of the manual.
- You can download the complete manual from: www.heydownloads.com by clicking the link below



- Please note: If there is no response to CLICKING the link, please download this PDF first and then click on it.

CLICK HERE TO **DOWNLOAD** THE COMPLETE MANUAL

6220-00054	Control valve (Other functions) Riktningssventil (övriga funktioner); Wegeventil (Zusatzfunktionen); Soupape manuelle (Autres fonctions);	Fork carriage
6220-00055	Control valve (Other functions) Riktningssventil (övriga funktioner); Wegeventil (Zusatzfunktionen); Soupape manuelle (Autres fonctions);	Fork carriage
6220-00059	Control valve (Other functions) Riktningssventil (övriga funktioner); Wegeventil (Zusatzfunktionen); Soupape manuelle (Autres fonctions);	1 extra hydraulic function
6230-00234	Hydraulic lines chassis Chassimonterade hydraulledningar; Hydraulikleitungen Chassis; Circuits hydrauliques châssis;	
6230-00240	Hydraulic lines chassis Chassimonterade hydraulledningar; Hydraulikleitungen Chassis; Circuits hydrauliques châssis;	Mast / reach
6320-00415	Mast hydraulic lines Stativhydraulledningar; Hydraulikleitungen Hubeinrichtung; Circuits hydrauliques mât;	
6320-00439	Mast hydraulic lines Stativhydraulledningar; Hydraulikleitungen Hubeinrichtung; Circuits hydrauliques mât;	Fork carriage
6320-00463	Mast hydraulic lines Stativhydraulledningar; Hydraulikleitungen Hubeinrichtung; Circuits hydrauliques mât;	Sideshift
6610-00290	Main lift cylinders Huvudlyftcylindrar; Haupthubzylinder; Vérin de levage principal;	
6620-00170	Free lift cylinders Frilyftscylinder; Freihubzylinder; Vérin de levée libre;	
6650-00007	Reach/telescopic cylinders Utskjut-/teleskopcylinder; Vorschub-/Teleskopzylinder; Vérin de rétraction/téléscopique;	
6660-00014	Tilt cylinders Tiltcylinder; Neigezylinder; Vérin d'inclinaison;	
6660-00015	Tilt cylinders Tiltcylinder; Neigezylinder; Vérin d'inclinaison;	
6660-00019	Tilt cylinders Tiltcylinder; Neigezylinder; Vérin d'inclinaison;	Cabin tilt
6670-00028	Other hydraulic cylinders Övriga hydraulcylindrar; Übrige hydraul. Zylinder; Autres vérins hydrauliques;	Sideshift

7000 Work function - lifting masts

Arbetsfunktion - lyftstativ; Arbeitsfunktion - Hubgerüste; Fonction de travail - mâts de levage

7100-00131	Main mast Huvudstativ/-mast; Haupthubgerüst/-mast; Mât principal;	Roller
7120-00540	Main lift chain system Huvudlyftkedjesystem; Haupthubkettensystem; Système de chaîne de levage mât principal;	
7130-00294	Main mast fork carriage Huvudstativokvagn; Gabel-/Aggregatträger Haupthubgerüst; Tablier porte-fourches mât principal;	
7130-00296	Main mast fork carriage Huvudstativokvagn; Gabel-/Aggregatträger Haupthubgerüst; Tablier porte-fourches mât principal;	

0390-00435 Battery compartment parts

[2008-09-08]

Batteriutrymmesdelar; Batterieraumteile; Pièces de compartiment batterie;

Pos	Description	Pcs	Part No	Note
<i>Locking device, battery bed; Låsanordning, batteribädd; Verschluss, batteriebett; Verrouillage, suport de batterie</i>			816 RRE180 816 RRE180C 816 RRE180E 816 RRE180EC	6051502 - 6051502 - 6051502 - 6051502 -
11	Handle Handtag; Handgriff; Poignée.	1	234365	
12	Locking pin Spännstift; Spannstift; Goupille	1	21316	
13	Spring Fjäder; Feder; Ressort	1	244976	
14	Rod Stång; Stange; Tige	1	255972	
15	Clamp Klämma; Klammer; Pincer	1	251080	
16	Screw Skruv; Schraube; Vis	2	230405	
17	Tow bar Dragstång; Zugstange; Timon	1	242271	
18	Screw Skruv; Schraube; Vis	2	24547	
19	Washer Bricka; Scheibe; Rondelle	2	29940	
20	Pipe Rör; Rohr; Tube	2	242344	
21	Pressure spring Tryckfjäder; Druckfeder; Ressort de pression	2	242314	
22	Locking ring Spärring; Schliessring; Circlip	1	20019	
23	Lock plunger Låskolv; Schlossriegel; Fermeture	1	242263	
24	Nut Mutter; Mutter; Ecrou	1	20528	
25	Washer Bricka; Scheibe; Rondelle	1	20508	
26	Washer Bricka; Scheibe; Rondelle	1	222829	
27	Washer Bricka; Scheibe; Rondelle	1	222989	
28	Hook Krok; Haken; Crochet	1	242228	
29	Nut Mutter; Mutter; Ecrou	1	20081	
30	Screw Skruv; Schraube; Vis	1	21141	
31	Axle Axel; Achse; Axe	1	232128	
32	Distance piece(30 x 42 x 0,1) Distans; Distanz; Distance		21881	
32	Shim(30 x 42 x 0,2) Shims; Schim; Cale		21882	
32	Shim(30 x 42 x 0,3) Shims; Schim; Cale		21883	
32	Shim(30 x 42 x 0,5) Shims; Schim; Cale		21884	
33	Nut Mutter; Mutter; Ecrou	1	21123	
34	Washer Bricka; Scheibe; Rondelle	3	20508	
35	Screw Skruv; Schraube; Vis	1	20644	
36	Spring Fjäder; Feder; Ressort	1	227345	
37	Screw Skruv; Schraube; Vis	1	21141	

Quality Parts

0450-00098

Pos	Description	Pcs	Part No	Note
21	Washer Bricka; Scheibe; Rondelle	6	20404	

0680-00335 Internal fittings

[2008-08-26]

Inredningsdetaljer; Einrichtungsteile; Accessoires intérieurs;

Pos	Description	Pcs	Part No	Note
			816 RRE180 816 RRE180C 816 RRE180E 816 RRE180EC	6051502 - 6051502 - 6051502 - 6051502 -
11	Compartment Fack; Busche; Boite	1	225764	
12	Instrument panel Instrumentpanel; Instrumentpaneel; Panneau des instrument	1	224193	
13	Housing Kåpa; Haus; Chape	1	246071	
14	Cover Lock; Deckel; Couvercle	1	247404	
15	Screw Skruv; Schraube; Vis	1	230405	
16	Screw Skruv; Schraube; Vis	1	248980	
17	Housing Kåpa; Haus; Chape	1	246990	
18	Housing Kåpa; Haus; Chape	1	246991	
19	Bracket Fäste; Halterung; Support	1	225787	
20	Bracket Fäste; Halterung; Support	1	225788	
21	Thread insert Gänginsats; Einsatzgewinde; Filet coquille de serrage	1	233467	
22	Housing Kåpa; Haus; Chape	1	246070	
23	Panel Panel; Paneel; Panneau	1	252472	
24	Panel Panel; Paneel; Panneau	1	252473	
25	Cover Lucka; Deckel; Couvercle	1	226066-001	
26	Sign Skylt; Schild; Vignette	1	256266-001	
27	Housing Kåpa; Haus; Chape	1	226065	
28	Screw Skruv; Schraube; Vis	1	230405	
29	Panel Panel; Paneel; Panneau	1	252471	
30	Panel Panel; Paneel; Panneau	1	252469	
31	Cushion Dyna; Kissen; Coussin	1	224198	
32	Housing Kåpa; Haus; Chape	1	229263	
33	Panel Panel; Paneel; Panneau	1	225359	
34	Screw Skruv; Schraube; Vis	3	230405	
35	Screw Skruv; Schraube; Vis	1	234580	
36	Screw Skruv; Schraube; Vis	3	234580	
37	Nut Mutter; Mutter; Ecrou	4	242512	
38	Screw Skruv; Schraube; Vis	1	234580	
39	Nut Mutter; Mutter; Ecrou	1	232907	
40	Bracket Fäste; Halterung; Support	1	260926	

0850-00502 Signs, warnings, decals

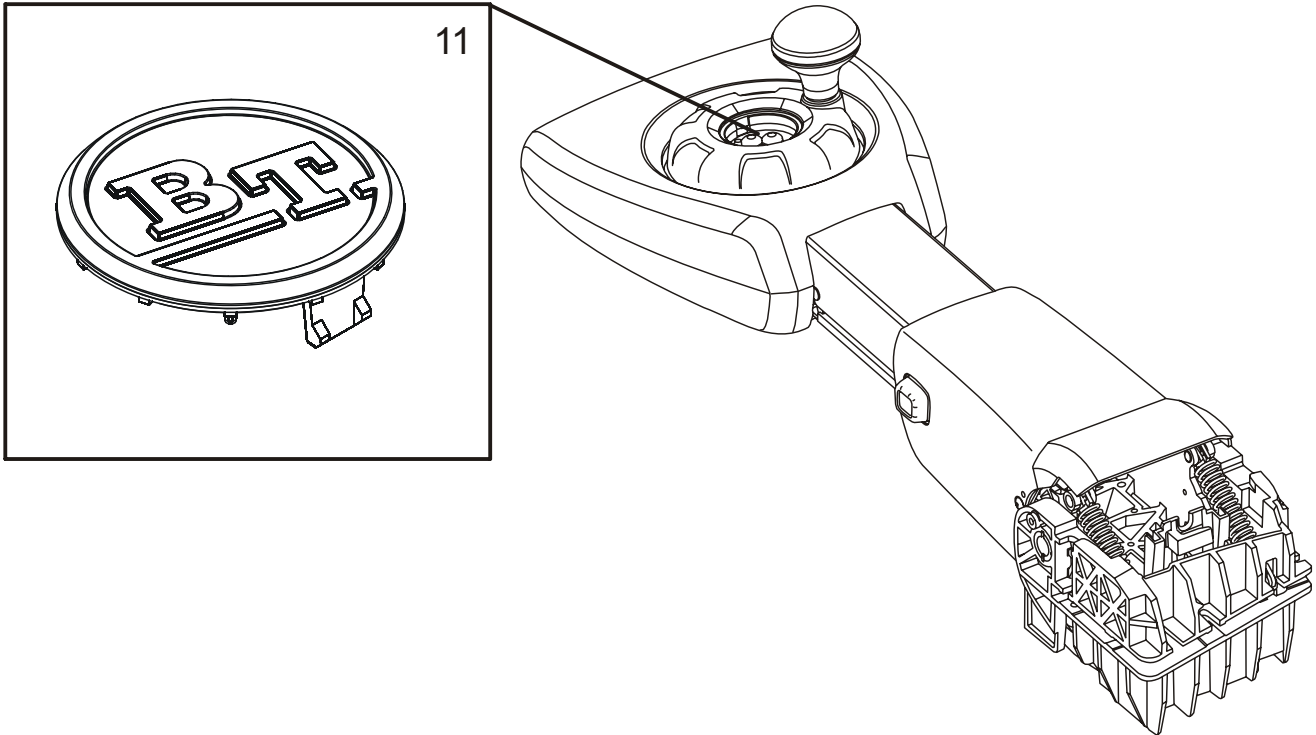
[2008-08-27]

Skyltar, varningar, dekaler; Schilder, Warnzeichen, Aufkleber; Vignettes, avertissements, autocollants;

Pos	Description	Pcs	Part No	Note
			816 RRE180 816 RRE180C 816 RRE180E 816 RRE180EC	6051502 - 6051502 - 6051502 - 6051502 -
11	Sign Skylt; Schild; Vignette	4	259554	
12	Sign Skylt; Schild; Vignette	2	209365	
13	Sign Skylt; Schild; Vignette	2	261063	L = 388 mm
14	Sign Skylt; Schild; Vignette	2	261021	L = 432 mm
15	Sign Skylt; Schild; Vignette	1	121786-002	
16	Sign Skylt; Schild; Vignette	3	121787-002	
17	Sign Skylt; Schild; Vignette	1	72082	
18	Sign Skylt; Schild; Vignette	1	156698	Cold stores Fryshus; Gefrieranlage; Chambre frigorifique
19	Sign Skylt; Schild; Vignette	1	150038	Cabin tilt Hyttilt; Umklappbar Kabinen; Cab- ine oscillant

4310-00080

P0032654



4310-00080 Electric steering wheel/lever

[2008-09-01]

Elektr.ratt/-spakstyrning; Elektro-lenkrad/-hebellenkung; Timon/volant de direction électrique;

<i>Logotype; Logotyp; Abziehbild; Logotype</i>			816 RRE180	6051502 -
			816 RRE180C	6051502 -
			816 RRE180E	6051502 -
			816 RRE180EC	6051502 -
Pos	Description	Pcs	Part No	Note
11	Cover Lock; Deckel; Couvercle	1	258250	

5200-00046 Instrument panel, display

[2008-10-22]

Instrumentpanel, display; Instrumentenpanel, Display; Tableau de bord, afficheur;

Pos	Description	Pcs	Part No	Note
			816 RRE180 816 RRE180C 816 RRE180E 816 RRE180EC	6051502 - 6051502 - 6051502 - 6051502 -
11	Operating panel(Multi + options) Manöverpanel(Multi + option); Bedienungsfeld(Multi + zubehör); Manoeuvre de commande(Multi + options)	1	227816	Joystick
12	Push-button(Sideshift) Tryckknapp; Druckknopf; Bouton	1	233569-002	
13	Push-button(Fork positioner) Tryckknapp(Gaffelspridning); Druckknopf(Zinkenverstell, gabel); Bouton(Fourche, régler latéral)	1	233569-003	
14	Push-button(Reach forks) Tryckknapp(Teleskoperande gafflar); Druckknopf(Teleskopgabelen); Bouton(Fourches bidirection)	1	233569-004	
15	Push-button Tryckknapp; Druckknopf; Bouton	1	233569-005	
16	Push-button Tryckknapp; Druckknopf; Bouton	1	233569-006	
17	Cover Lock; Deckel; Couvercle	3	259379	
18	Joystick(Multi) Joystick; Joystick; Joystick	1	224560	
19	Push-button(Tilt) Tryckknapp(Tilt); Druckknopf(Neige); Bouton(Inclinaison)	1	233569-001	
20	Push-button Tryckknapp; Druckknopf; Bouton	1	261362	
21	Symbol plate Symbolplatta; Zeichenplatte; Plaque de symbole	1	227820-001	
22	Symbol plate Symbolplatta; Zeichenplatte; Plaque de symbole	1	227820-002	
23	Symbol plate Symbolplatta; Zeichenplatte; Plaque de symbole	1	227820-003	
24	Symbol plate Symbolplatta; Zeichenplatte; Plaque de symbole	1	227820-004	
25	Symbol plate Symbolplatta; Zeichenplatte; Plaque de symbole	1	227820-005	
26	Symbol plate Symbolplatta; Zeichenplatte; Plaque de symbole	1	227820-006	
27	Push-button Tryckknapp; Druckknopf; Bouton		227819	
28	Plug Plugg; Pfropf; Bouchon	8	227821	
29	Wiring harness Kablage; Kabelsatz; Câblage	1	246723	
30	Bracket Fäste; Halterung; Support	4	251114	Wiring harness Kablage; Kabelsatz; Câblage
33	Cover Lock; Deckel; Couvercle	1	235398	
34	Bracket Fäste; Halterung; Support	1	249505	
35	Screw Skruv; Schraube; Vis	5	254656	
36	Frame Ram; Rahmen; Cadre	1	235380	
37	Consol Konsol; Konsole; Console	1	242242	
38	Screw Skruv; Schraube; Vis	23	235373	
39	Display Display; Display; Display	1	235381	
39	Display(Cold stores) Display(Fryshus); Display(Gefrieranlage); Display(Chambre frigorifique)	1	261006	Cold stores Fryshus; Gefrieranlage; Chambre frigorifique

CLICK HERE TO **DOWNLOAD** THE COMPLETE MANUAL

- Thank you very much for reading the preview of the manual.
- You can download the complete manual from: www.heydownloads.com by clicking the link below



- Please note: If there is no response to CLICKING the link, please download this PDF first and then click on it.

CLICK HERE TO **DOWNLOAD** THE COMPLETE MANUAL

Pos	Description	Pcs	Part No	Note
12	Wiring harness(Complete) Kablage(Komplett); Kabelsatz(Komplett); Câblage(Comple)	1	255685-210	H3 = 11000 mm
12	Wiring harness(Complete) Kablage(Komplett); Kabelsatz(Komplett); Câblage(Comple)	1	255685-460	H3 = 4600 mm
12	Wiring harness(Complete) Kablage(Komplett); Kabelsatz(Komplett); Câblage(Comple)	1	255685-480	H3 = 4800 mm
12	Wiring harness(Complete) Kablage(Komplett); Kabelsatz(Komplett); Câblage(Comple)	1	255685-540	H3 = 5400 mm
12	Wiring harness(Complete) Kablage(Komplett); Kabelsatz(Komplett); Câblage(Comple)	1	255685-570	H3 = 5700 mm
12	Wiring harness(Complete) Kablage(Komplett); Kabelsatz(Komplett); Câblage(Comple)	1	255685-630	H3 = 6300 mm
12	Wiring harness(Complete) Kablage(Komplett); Kabelsatz(Komplett); Câblage(Comple)	1	255685-675	H3 = 6750 mm
12	Wiring harness(Complete) Kablage(Komplett); Kabelsatz(Komplett); Câblage(Comple)	1	255685-700	H3 = 7000 mm
12	Wiring harness(Complete) Kablage(Komplett); Kabelsatz(Komplett); Câblage(Comple)	1	255685-750	H3 = 7500 mm
12	Wiring harness(Complete) Kablage(Komplett); Kabelsatz(Komplett); Câblage(Comple)	1	255685-800	H3 = 8000 mm
12	Wiring harness(Complete) Kablage(Komplett); Kabelsatz(Komplett); Câblage(Comple)	1	255685-850	H3 = 8500 mm
12	Wiring harness(Complete) Kablage(Komplett); Kabelsatz(Komplett); Câblage(Comple)	1	255685-900	H3 = 9000 mm
12	Wiring harness(Complete) Kablage(Komplett); Kabelsatz(Komplett); Câblage(Comple)	1	255685-950	H3 = 9500 mm
13	Spring Fjäder; Feder; Ressort	2	213443	
15	Bracket Fäste; Halterung; Support	2	251114	
16	Bracket Fäste; Halterung; Support	2	251113	
17	Bracket Fäste; Halterung; Support	2	247309	

5680-00165 Battery/motor cables, fuse

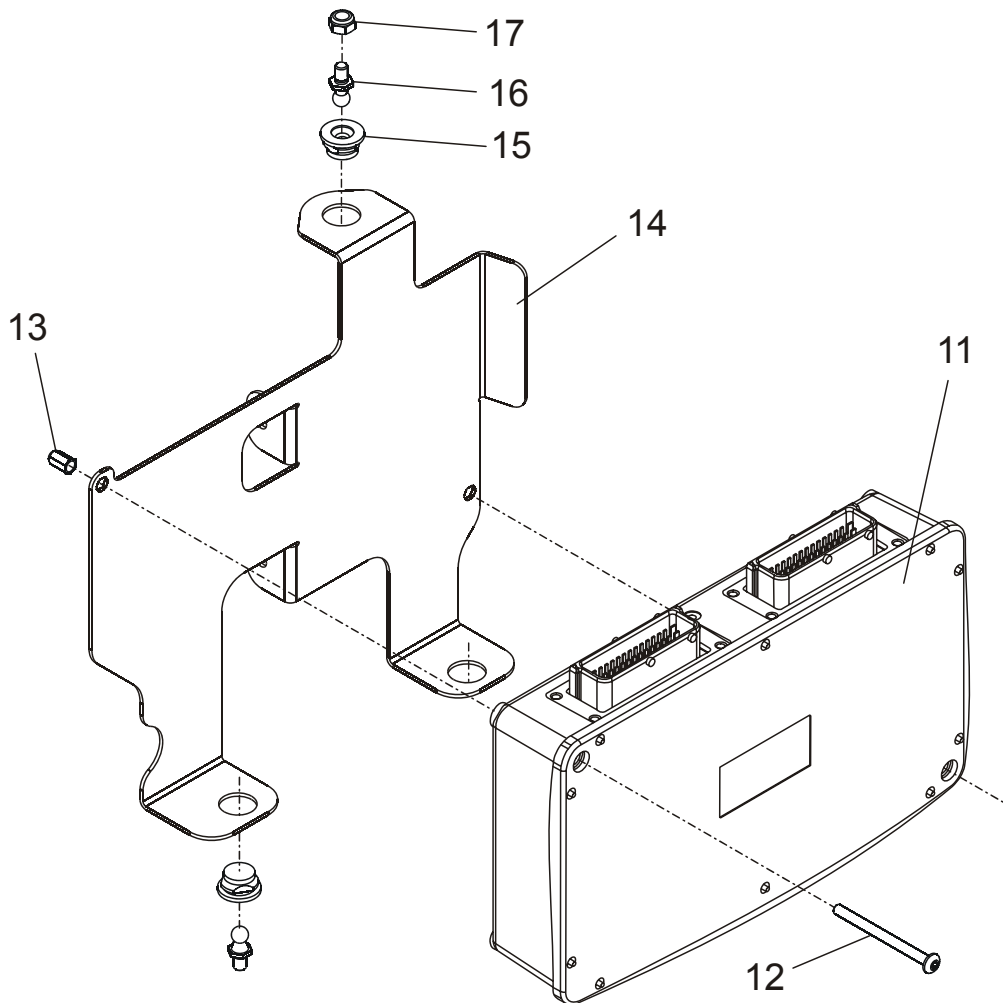
[2008-09-08]

Batteri-/motorkablar, säkring; Batterie-/Motorkabel, Sicherung; Câbles de batterie/moteur, fusible;

Cable arm, battery change; Kabelarm, batteribyte; Kabelarm, batteriewechsel; Câble bras, changement de batterie		816 RRE180 816 RRE180C	6051502 - 6051502 -	
Pos	Description	Pcs	Part No	Note
11	Battery cabel arm(Complete) Batterikabelarm(Komplett); Batteriekabelarm(Komplett); Cable, bras de batterie(Compleet)	1	241607-001	Battery change Batteribyte; Batteriewechsel; Changement de batterie
12	Cover Lock; Deckel; Couvercle	1	255714	
13	Bracket Fäste; Halterung; Support	1	255538	
14	Cable pit Kabelkanal; Kabelkanal; Tube gaine pour câbles	1	255708	
15	Clamp Klamma; Rohrschelle; Collier	1	255789	
16	Bracket Fäste; Halterung; Support	1	255539	
17	Screw Skruv; Schraube; Vis	1	171407	
18	Locking ring Spårring; Schliessring; Circlip	2	20019	
19	Washer Bricka; Scheibe; Rondelle	3	238312	
20	Screw Skruv; Schraube; Vis	2	20184	
21	Washer Bricka; Scheibe; Rondelle	2	126723-003	
22	Spring Fjäder; Feder; Ressort	1	226636	
23	Nut Mutter; Mutter; Ecrou	3	20433	
24	Screw Skruv; Schraube; Vis	2	20400	
25	Lever arm Länkmarm; Hebelarm; Bras de levier	1	255536	
26	Screw Skruv; Schraube; Vis	1	160628	
27	Washer Bricka; Scheibe; Rondelle	1	126723-003	
28	Nut Mutter; Mutter; Ecrou	1	246961	
29	Screw Skruv; Schraube; Vis	2	22338	
30	Bracket Fäste; Halterung; Support	1	248518	
31	Nut Mutter; Mutter; Ecrou	2	20433	
32	Battery connector with cable complete Batterihandske med kabel komplett; Stromstecker mit Kabel komplett; Connection fiche avec câble complete	1	256374	Battery Batteri; Batterie; Batterie
33	Gender key Kodpinne; Code-Stift; Code-goupille	1	260846-002	
34	Battery connector with cable complete Batterihandske med kabel komplett; Stromstecker mit Kabel komplett; Connection fiche avec câble complete	1	256377	
35	Handle Handtag; Handgriff; Poignée.	1	173831	
36	Gender key Kodpinne; Code-Stift; Code-goupille	1	260846-001	
37	Plate Plåt; Platte; Plaque	1	248529	
38	Screw Skruv; Schraube; Vis	2	20184	
39	Screw Skruv; Schraube; Vis	4	160628	

5710-00137

P0031604

**5710-00137 Drive/multi-function PCBs**

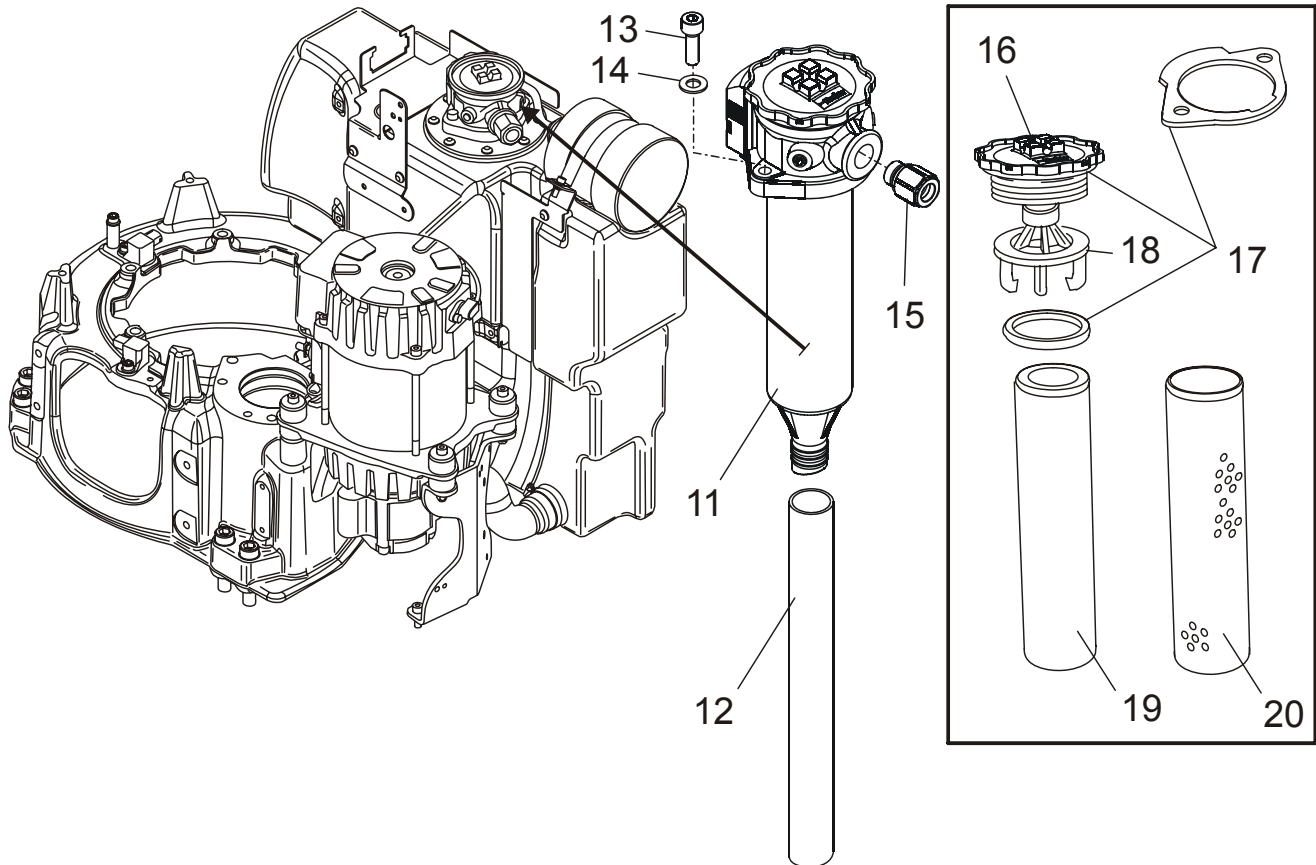
[2008-08-26]

Elektronikkort åkning/kombination; Elektronikkarten Fahren/Kombination; Cartes électroniques déplacement/combinaison;

Cabin tilt; Hyttilt; Umklappbar Kabinen; Cabine oscillant		816 RRE180E 816 RRE180EC	6051502 - 6051502 -	
Pos	Description	Pcs	Part No	Note
11	Logic box(MCU) Logikbox; Steuerbox; Boite de lougique	1	227602-001	
12	Screw Skruv; Schraube; Vis	2	212770	
13	Nut Mutter; Mutter; Ecrou	2	232904	
14	Bracket Fäste; Halterung; Support	1	248076	
15	Bracket Fäste; Halterung; Support	3	225787	
16	Bracket Fäste; Halterung; Support	3	225788	

6130-00037

P0032253

**6130-00037 Filters and housing**

[2008-09-08]

Filter, filterhus; Filter, Gehäuse; Filtres, logement de filtre;

Pos	Description	Pcs	Part No	Note
			816 RRE180 816 RRE180C 816 RRE180E 816 RRE180EC	6051502 - 6051502 - 6051502 - 6051502 -
11	Filter(Complete) Filter(Komplett); Filter(Komplett); Filtre(Complect)	1	256758	
11	Filter(Complete) Filter(Komplett); Filter(Komplett); Filtre(Complect)	1	256759	Cold stores Fryshus; Gefrieranlage; Chambre frigorifique
12	Hose Slang; Schlauch; Tuyau flexible	1	261105	
13	Screw Skruv; Schraube; Vis	2	20192	
14	Washer Bricka; Scheibe; Rondelle	2	252157	
15	Connection Koppling; Kupplung; Raccord	1	254519	
16	Cover Lock; Deckel; Couvercle	1	258243	
17	Packing set Packningssats; Packungssatz; Jeux d' étanchéite.	1	258242	
18	Support Hållare; Stossfänger; Absorber des chocs	1	260842	
19	Filter element Filterelement; Filterelement; Élément de filtre	1	258241	
20	Support Hållare; Stossfänger; Absorber des chocs	1	258249	

Quality Parts

6650-00007

Pos	Description	Pcs	Part No	Note
27	Locking ring Spårring; Schliessring; Circlip	1	20008	

Quality Parts

7120-00540

Pos	Description	Pcs	Part No	Note
48	Nut Mutter; Mutter; Ecrou	2	20006	
49	Nut Mutter; Mutter; Ecrou	2	20528	

7190-00080 Main mast suspension

[2008-10-28]

Huvudstativinfästning; Befestigung Haupthubgerüst; Suspension mât principal;

Pos	Description	Pcs	Part No	Note
			816 RRE180 816 RRE180C 816 RRE180E 816 RRE180EC	6051502 - 6063184 6051502 - 6063184 6051502 - 6063184 6051502 - 6063184
11	Roller Rulle; Rolle; Roleau	4	260600	
12	Roller Rulle; Rolle; Roleau	4	260595	
13	O-ring O-ring; O-ring; Joint torique	4	260630	
14	Pin Pinne; Stäbchen; Cheville	4	233904	
15	Roller Rulle; Rolle; Roleau	2	223881	
16	Washer Bricka; Scheibe; Rondelle	2	234825	
17	Washer Bricka; Scheibe; Rondelle	2	126723-015	
18	Nut Mutter; Mutter; Ecrou	2	234732	
19	Stop screw Stoppskruv; Einstellschraube; Vis de arretoire	4	233436	
20	Screw Skruv; Schraube; Vis	4	233435	
21	Greasing nipple Smörjnippel; Smiernippel; Graisseur	4	27662	
22	Eccentric Excenter; Exzenter; Excentrique	2	232179	
23	Stop screw Stoppskruv; Einstellschraube; Vis de arretoire	2	232184	
24	Washer Bricka; Scheibe; Rondelle	2	20508	
25	Screw Skruv; Schraube; Vis	2	244730	
26	Ring Ring; Ring; Bague	2	232181	
27	Washer Bricka; Scheibe; Rondelle	8	20228	
28	Screw Skruv; Schraube; Vis	8	29745	
29	Screw Skruv; Schraube; Vis	2	254915	
30	Washer Bricka; Scheibe; Rondelle	2	20367	
31	Shim(2 mm) Shims; Schim; Cale	2	259127	

9330-00053 Radio/recorder

[2008-09-08]

Radio/bandspelare; Radio/Kassettengerät; Radio/magnétophone;

Pos	Description	Pcs	Part No	Note
			816 RRE180 816 RRE180C 816 RRE180E 816 RRE180EC	6051502 - 6051502 - 6051502 - 6051502 -
11	CD player with radio + MP3 CD spelare med radio + MP3; CD speler mit radio + MP3; CD disques + radio + MP3	1	233974	
12	Bracket Fäste; Halterung; Support	1	234893	
13	Nut Mutter; Mutter; Ecrou	3	232907	
14	Screw Skruv; Schraube; Vis	3	21750	
15	Antenna Antenn; Antenne; Antenne	1	124379	
16	Wiring harness Kablage; Kabelsatz; Câblage	1	226674	
17	Loud speaker Högtalare; Lautsprecher; Haut-parleur	2	216802	
18	Consol Konsol; Konsole; Console	1	234717	
19	Nut Mutter; Mutter; Ecrou	2	232907	
20	Screw Skruv; Schraube; Vis	2	28545	
21	Fuse(7,5A) Säkring; Sicherung; Fusible	1	122308-075	
22	Wiring harness Kablage; Kabelsatz; Câblage	1	244577	
23	Clamp Klamma; Rohrschelle; Collier	5	156268-005	13 mm
24	Bracket Fäste; Halterung; Support	1	251113	
25	Clamp Klamma; Rohrschelle; Collier	5	156268-002	7,5 mm

CLICK HERE TO **DOWNLOAD** THE COMPLETE MANUAL

- Thank you very much for reading the preview of the manual.
- You can download the complete manual from: www.heydownloads.com by clicking the link below



- Please note: If there is no response to CLICKING the link, please download this PDF first and then click on it.

CLICK HERE TO **DOWNLOAD** THE COMPLETE MANUAL